

4

3

2

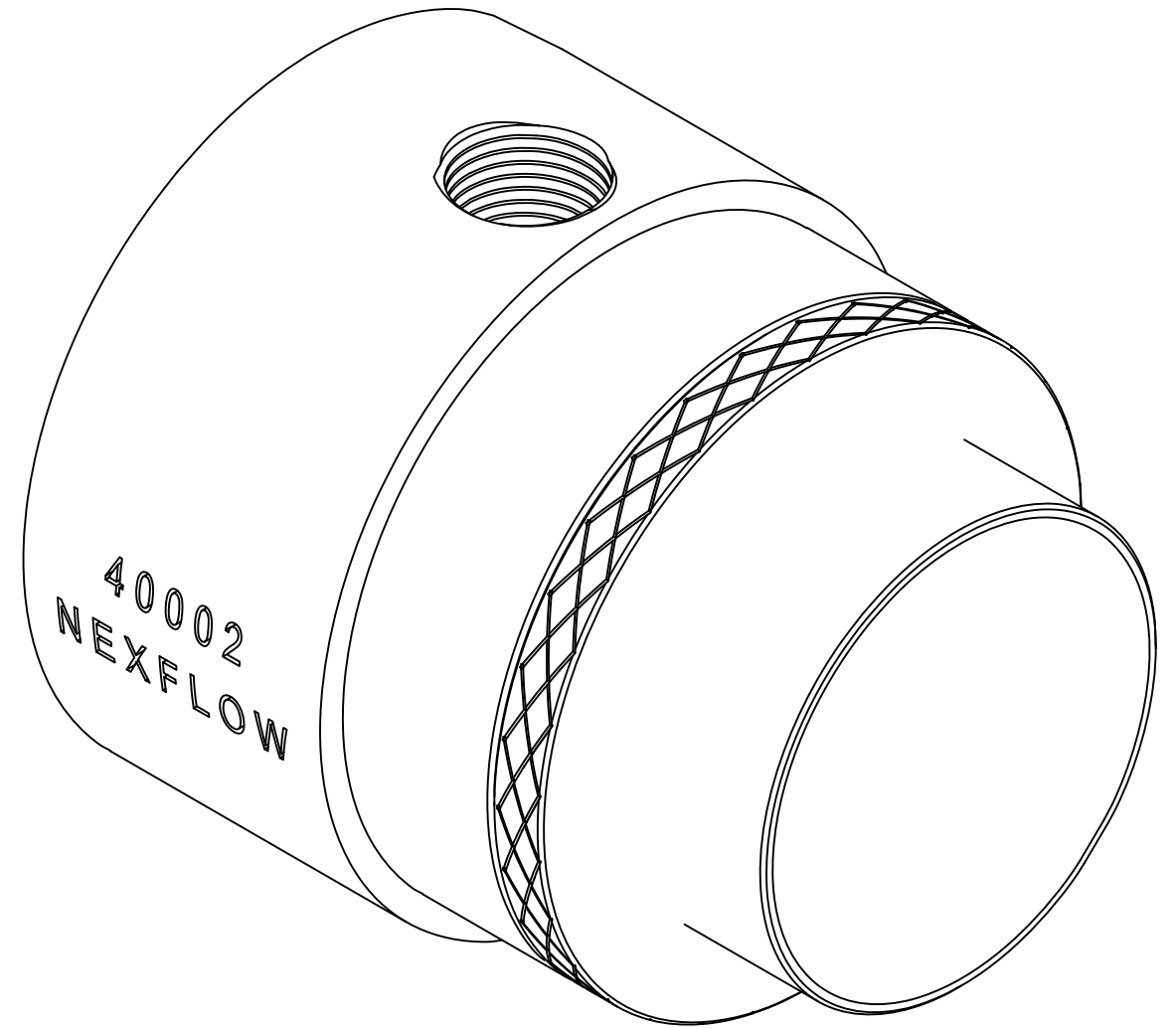
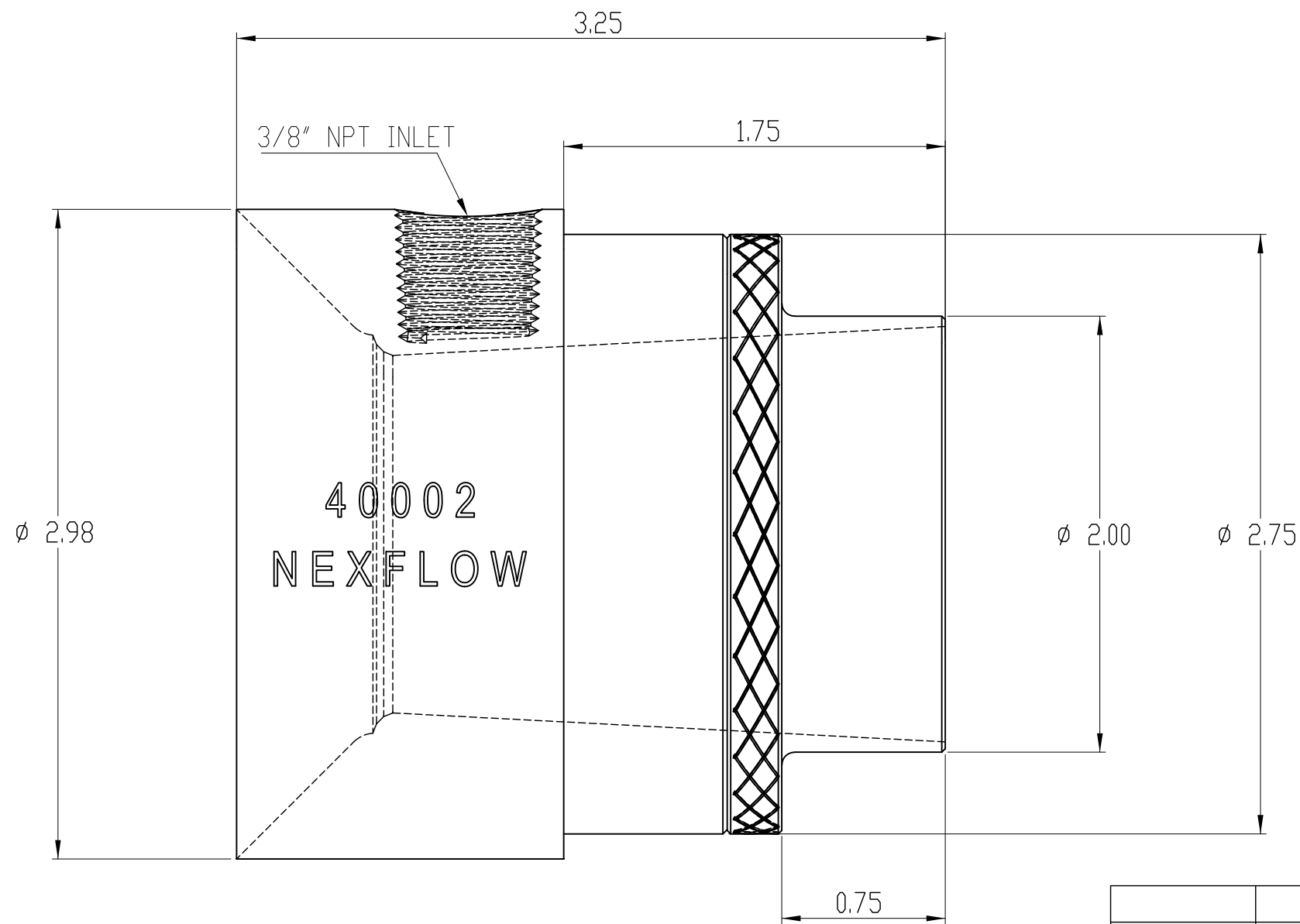
1

B

B

A

A



PROPRIETARY AND CONFIDENTIAL
 THE INFORMATION CONTAINED IN THIS DRAWING IS THE SOLE PROPERTY OF NEXFLOW. ANY REPRODUCTION IN PART OR AS A WHOLE WITHOUT THE WRITTEN PERMISSION OF NEXFLOW IS PROHIBITED.

		UNLESS OTHERWISE SPECIFIED	NAME	DATE	NEX FLOW™ AIR PRODUCTS CORP. 10520 YOUNG STREET, UNIT 35B220, RICHMOND HILL, ON, L4C 3C7 TEL: (416) 410-1313 & FAX: (416) 410-1806 www.nexflow.com	
		DIMENSIONS ARE IN INCHES	DRAWN	AMMAD	MAY/02/21	TITLE: ADJUSTABLE AIR AMPLIFIER
		TOLERANCES: FRACTIONAL ± ANGULAR: MACH ± BEND ± TWO PLACE DECIMAL ± THREE PLACE DECIMAL ±	CHECKED			
		INTERPRET GEOMETRIC TOLERANCING PER:	ENG APPR.			
		MATERIAL ALUMINUM or STAINLESS STEEL	MFG APPR.			
NEXT ASSY	USED ON	FINISH	Q.A.			SIZE DWG. NO. REV B 40002/40002S 1
APPLICATION		DO NOT SCALE DRAWING			SCALE: 1.5:1 WEIGHT:	SHEET 1 OF 1

4

3

2

1