

4

3

2

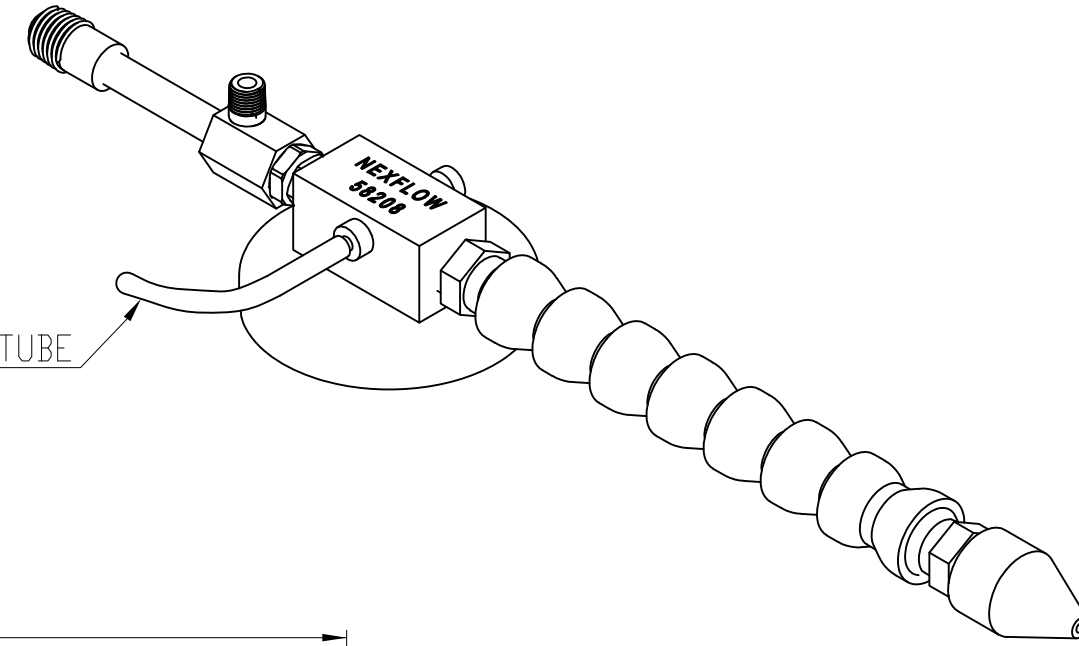
1

B

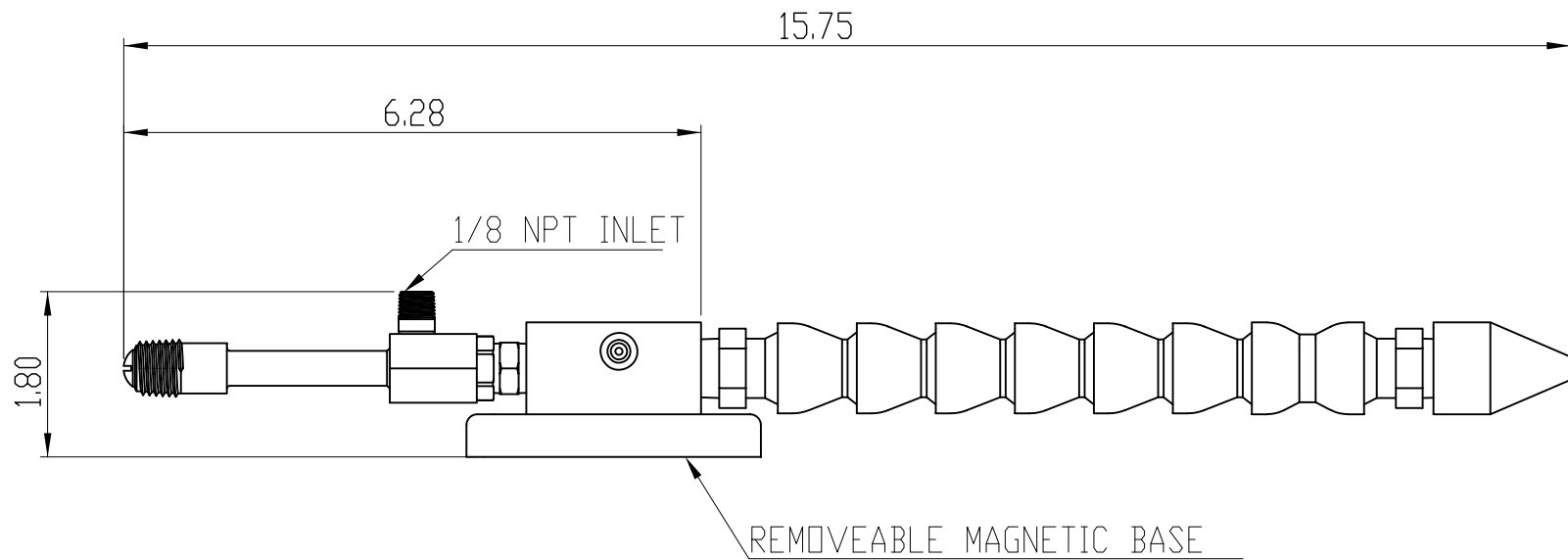
B

A

A



36" LONG LIQUID SUCTION TUBE



1/8 NPT INLET

REMOVEABLE MAGNETIC BASE

PROPRIETARY AND CONFIDENTIAL
 THE INFORMATION CONTAINED IN THIS DRAWING IS THE SOLE PROPERTY OF NEXFLOW. ANY REPRODUCTION IN PART OR AS A WHOLE WITHOUT THE WRITTEN PERMISSION OF NEXFLOW IS PROHIBITED.

		UNLESS OTHERWISE SPECIFIED		NAME	DATE	NEX FLOW™ AIR PRODUCTS CORP. 10520 YOUNG STREET, UNIT 35B220, RICHMOND HILL, ON, L4C 3C7 TEL: (416) 410-1313 & FAX: (416) 410-1806 www.nexflow.com	
		DIMENSIONS ARE IN INCHES		DRAWN	AMMAD	APR/17/21	TITLE: SUB ZERO VORTEX MIST COOLING SYSTEM
		TOLERANCES:		CHECKED			
		FRACTIONAL ±		ENG APPR.			
		ANGULAR: MACH ± BEND ±		MFG APPR.			
		TWO PLACE DECIMAL ±		Q.A.			SIZE MODEL #:
		THREE PLACE DECIMAL ±					REV
		INTERPRET GEOMETRIC TOLERANCING PER:				B	58208
		MATERIAL				SCALE: 1:2	WEIGHT:
		FINISH				SHEET 1 OF 1	
NEXT ASSY	USED ON	APPLICATION		DO NOT SCALE DRAWING			

4

3

2

1