

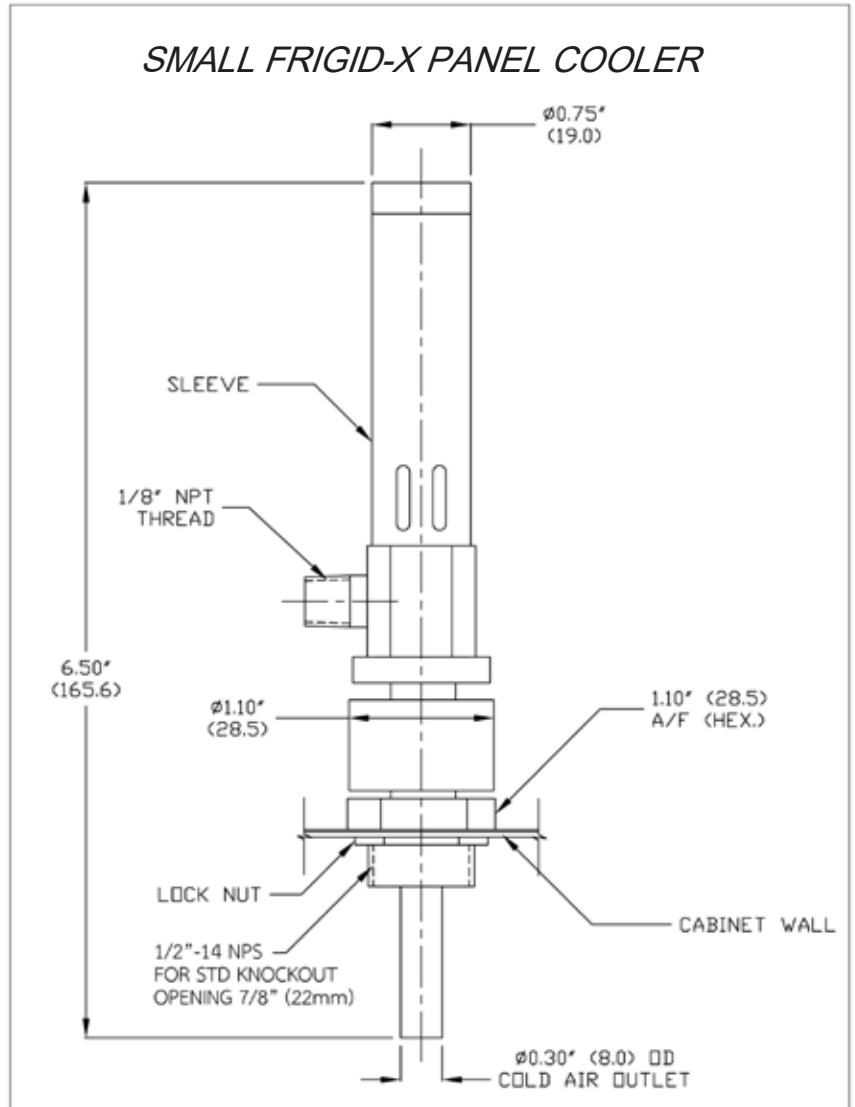
Guidelines:

1. Insure that compressed air lines are properly sized to keep pressure drop to a minimum. Use at least 1/4" pipe or 3/8" hose for supply line runs up to 10 feet, 3/8" pipe or 1/2" hose for runs up to 50 feet and 1/2" pipe lines for longer runs. Do not use restrictive fittings such as quick couplings which will reduce the effectiveness of the cooling systems.

2. All systems come complete with a properly sized 5 micron filter with a float type auto drain. NEVER USE anything except an automatic float type auto drain to prevent any accidental water flow into the system. If oil is a problem in your air lines, use a properly sized oil removal filter with at least a .3 micron rating. Install all filters within 10 to 15 feet of the cooling unit.

3. Panel cooler MUST be vertically mounted on a flat surface for all enclosure types as listed below. The Frigid-X™ system is easy to install through a 7/8" diameter hole in the enclosure. 1 nut on the cooling unit will lock it in place. Contact the factory or your local distributor for correct sizing of the system to account for the temperature of the incoming air as well as the surrounding air temperatures and the heat loads in the enclosure.

4. A cold air distribution hose kit is provided along with the cooler free of charge to direct the cold air to any hot spots as required. Holes may be cut or drilled in the tubing. Use at least 6 – 1/8" diameter holes in the tubing to minimize any back pressure on the cooling unit. The end is typically plugged and the kit is supplied with an extra muffler at the plugged end.



BASIC TYPES AND PART NUMBERS:

NEMA TYPE 12 - Models 600__A NEMA TYPE 3R – M Models 600__R NEMA TYPE 4-4X – Models 601 __X

The numbers in the spaces __ indicate specific SCFM at 100 psig. For example 60015R is a 15 SCFM unit TYPE 3R rating. A Model 60008A is a 8 SCFM unit TYPE 12 rating.

USA & CANADA
Tel: (877) 797-2777
Fax: (877) 797-2660

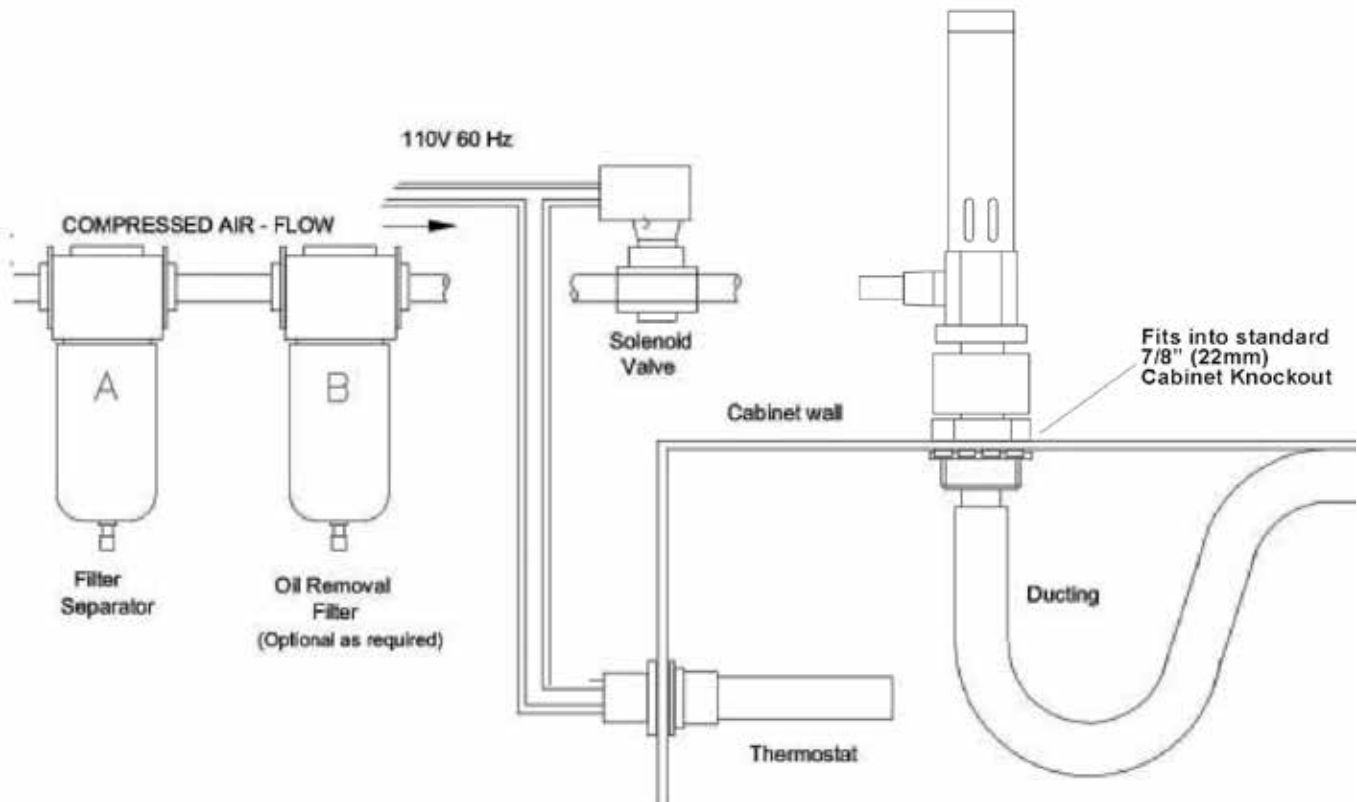
INTERNATIONAL
Tel: (416) 410-1313
Fax: (416) 410-1806

INTERNET
www.nexflow.com
sales@nexflow.com

FRIGID-X™ AIR CONDITIONING SYSTEM

FRIGID-X™ AIR CONDITIONING SYSTEM INSTALLATION & MAINTENANCE

Frigid-X Panel Cooler - Application



5. Close off any vents or other openings that may draw in ambient air, especially in warm or hot high humidity environments. This entrained air can condense inside the control enclosure much like water that forms on the outside of an ice-filled drinking glass on a summer day. Relocate any external fans inside the enclosure to help circulate the internal cooled air.

6. Frigid-X™ enclosure coolers may be either run constantly or, can use on-off control with a thermostat and solenoid valve package. The thermostat supplied by Nex Flow may be mounted through the enclosure wall or on a bracket inside the enclosure. It is not sensitive to its position for operation but should be mounted in a hot area of the enclosure. The thermostat is then connected to the hot line supplying the solenoid valve. It is normally open, and closed when actuated, when the temperature rises. The thermostat is preset at 95°F and will hold that setting within plus or minus 2° inside the control enclosure. The thermostat can be reset following the instructions with the thermostat. The solenoid valve should be mounted between water removal filter and the cooling unit. the solenoid valve is controlled by the thermostat but may also be controlled by the machine it is used one.

If you have any questions or problems, please contact:

USA & CANADA
Tel: (877) 797-2777
Fax: (877) 797-2660

INTERNATIONAL
Tel: (416) 410-1313
Fax: (416) 410-1806

INTERNET
www.nexflow.com
sales@nexflow.com