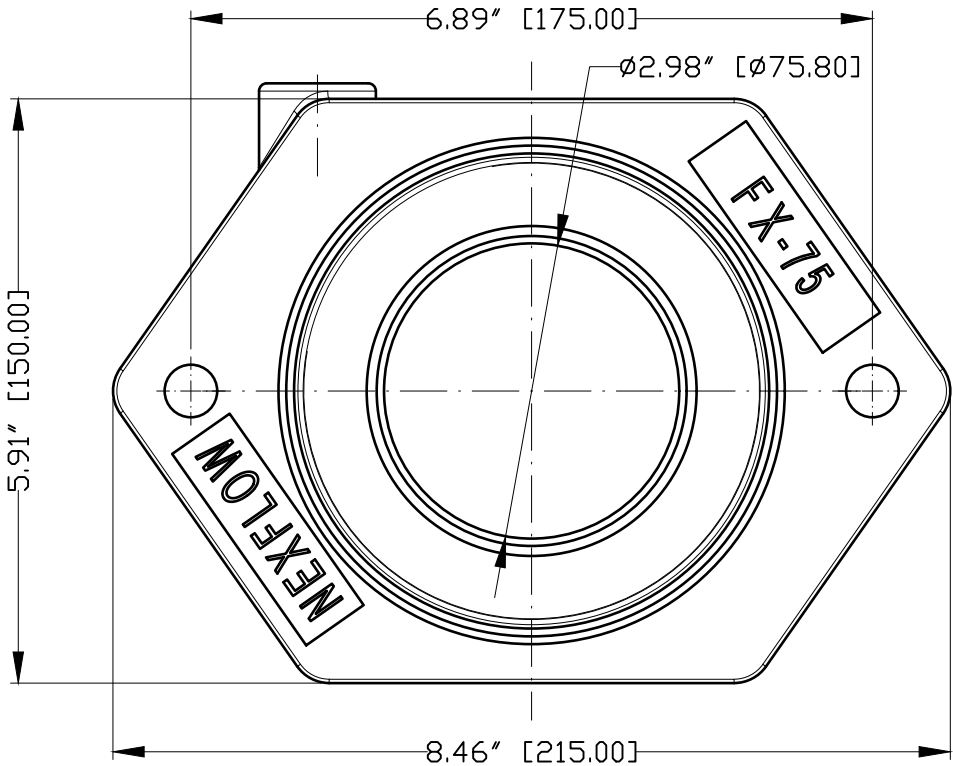
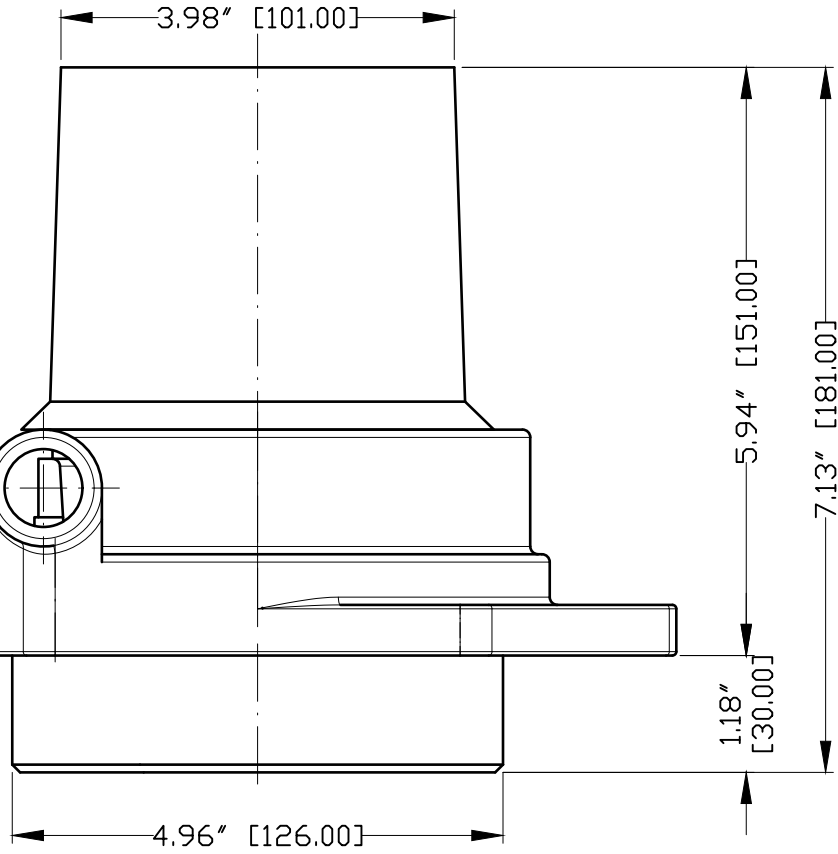


1/2" NPT INLET



THIRD ANGLE PROJECTION	REQUIREMENTS—UNLESS OTHERWISE SPECIFIED				CONTRACT NUMBER	NEX FLOW AIR PRODUCTS CORP.				
	GENERAL				CLIENT	10520 YONGE STREET, UNIT 358-220, RICHMOND HILL, ON L4C 3C7				
MATERIAL	1. DIMS ARE IN INCHES (MM)				CONTRACTOR	TEL.: (416) 410-1313 & FAX: (416) 410-1806 www.nex-flow.com				
	2. DIMENSIONING AND TOLERANCING IN ACCORDANCE WITH ANSI Y14.5 (1982)				DRAWN	DATE	TITLE			
FINISH	3. MACHINE FINISH 3.175 MICRONS RMS				CHIRAG.S	13/12/2018	OUTLINE DRAWING OF			
	4. INTERNAL RADII .4				DESIGN	—	FX75 FIXED X-STREAM™ AIR AMPLIFIER			
5. BREAK SHARP CORNERS .1 TO .4				PROJECT	—	SIZE				
LIMITS				STRESS	—	CAGE CODE	DWG NO		RELEASE	REV
1. LINEAR DIMS. .XXX = .1				MANUFACTURING	—	—	FX75		P	—
.XX = .2				THERMAL	—	SCALE				
.X = .7				MATERIALS	—	1:1				
2. ANGLES = ± 1/2°				MECHANISM	ELECTRICAL	CAD NO				
3. ROUNDOFF .010 TIR				ELECTRICAL		FX75				
4. HOLES IN ACCORDANCE WITH AND 10387				ELECTRICAL		SHEET				
NEXT ASSEMBLY				USED ON	QTY PER ASSY	PART NO		1 OF 1		
PART NO				PART NO		PART NO		1 OF 1		