

4

3

2

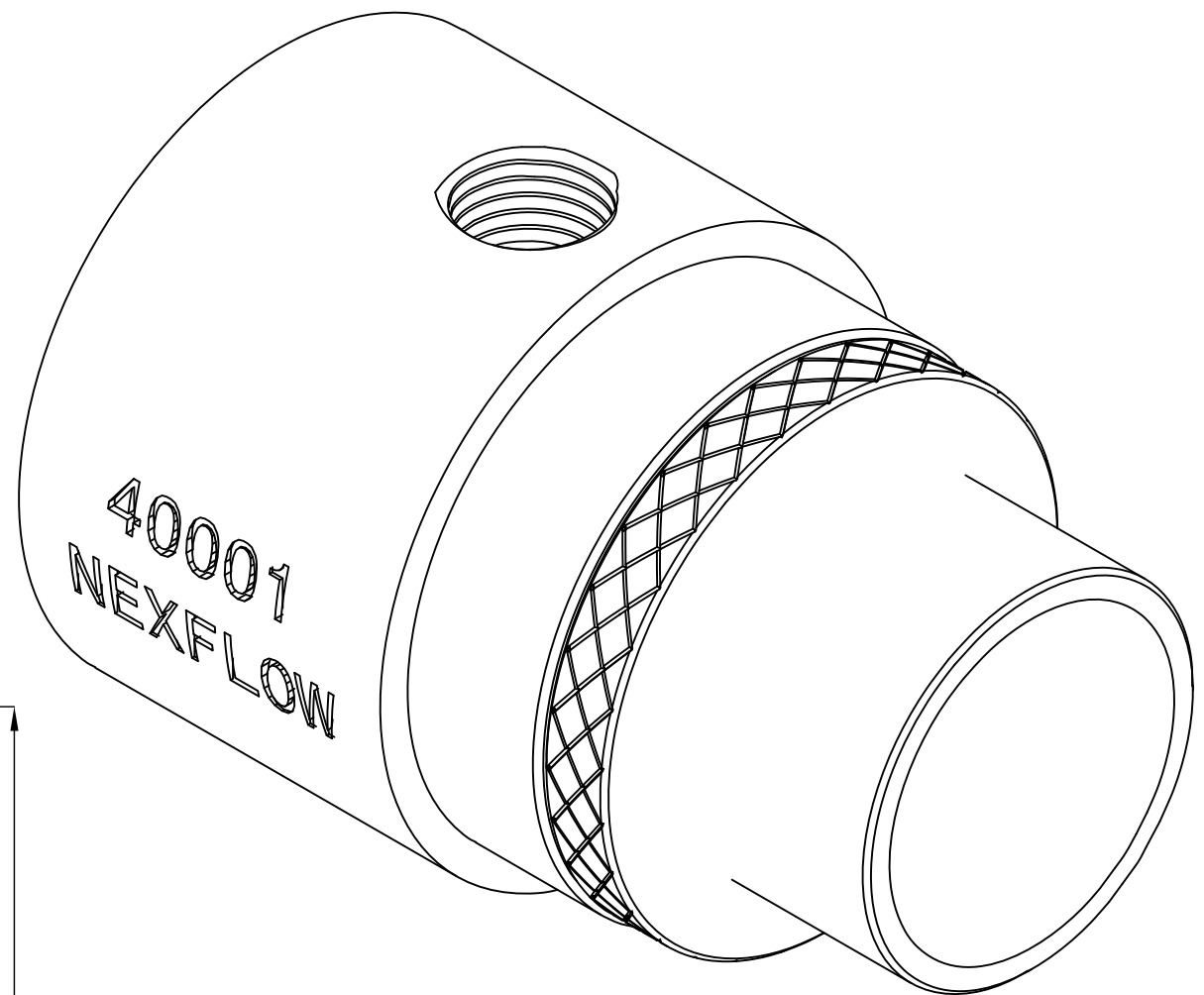
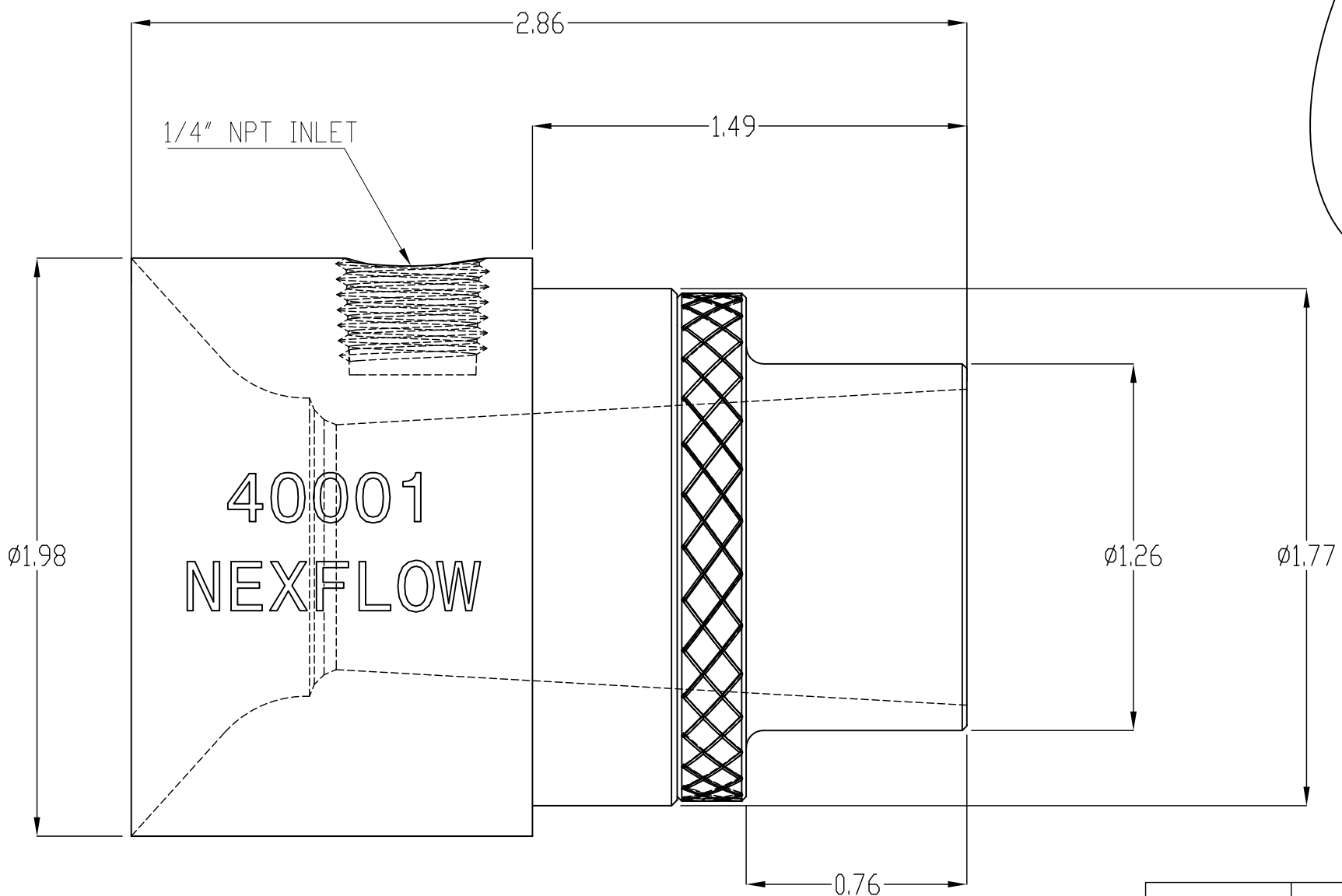
1

B

B

A

A



PROPRIETARY AND CONFIDENTIAL  
 THE INFORMATION CONTAINED IN THIS DRAWING IS THE SOLE PROPERTY OF NEXFLOW. ANY REPRODUCTION IN PART OR AS A WHOLE WITHOUT THE WRITTEN PERMISSION OF NEXFLOW IS PROHIBITED.

		UNLESS OTHERWISE SPECIFIED	NAME	DATE	NEX FLOW™ AIR PRODUCTS CORP. 10520 YOUNG STREET, UNIT 35B220, RICHMOND HILL, ON, L4C 3C7 TEL: (416) 410-1313 & FAX: (416) 410-1806 <a href="http://www.nexflow.com">www.nexflow.com</a>	
		DIMENSIONS ARE IN INCHES	DRAWN	AMMAD	MAY/02/21	TITLE: <b>ADJUSTABLE AIR AMPLIFIER</b>
		TOLERANCES:	CHECKED			
		FRACTIONAL ±	ENG APPR.			
		ANGULAR: MACH ± BEND ±	MFG APPR.			
		TWO PLACE DECIMAL ±	Q.A.			SIZE MODEL #:
		THREE PLACE DECIMAL ±				B 40001/40001S
		INTERPRET GEOMETRIC TOLERANCING PER:				REV
		MATERIAL				1
		ALUMINUM or STAINLESS STEEL				
NEXT ASSY	USED ON	FINISH				
APPLICATION		DO NOT SCALE DRAWING				
					SCALE: 2:1	WEIGHT:
					SHEET 1 OF 1	

4

3

2

1