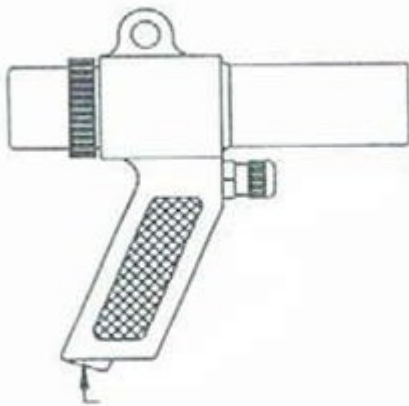


X-STREAM HAND VAC INSTALLATION & MAINTENANCE

Maintaining Optimum Performance

Filtration to maintain clean air is necessary at a rate of 25 microns or less. Nex Flow™ filters use five micron filtration elements and are properly sized for the X-Stream Hand Vac. If oil can be a problem, use an oil removal filter. Filter should be close to the Hand Vac (within 10 to 15 feet (3 to 4.6 meters)).

The compressed air lines should be sized to keep pressure drop to a minimum. Recommended air hose (not included) is ¼" I.D. up to 10 feet (3 meters), and 3/8" I.D. hose up to 25 feet (7.6 meters). Do not use restrictive fittings that may cause excessive pressure drop in the air line.



Model 36001
X-STREAM
HAND-VAC



Model 0009263
19" (48.3 cm)
Straight Ext. Wand
(two per kit) –supplied
with all kits



Model 0027874
Brush attachment –
supplied with all kits



Model 0002247 reusable
Collection bag with zipper
And hose clamp supplied
Supplied with Collection
System and with All
Purpose System



Model 7546637
Skimmer Tool –
supplied with all kits



Model 4673283 10 foot (3 m)
Vacuum Hose with cuffs both
Ends and hose clamp – Supplied
With Transfer System and
All Purpose System



Model 3738423
Crevice Tool –
supplied with all kits