

4

3

2

1

9X M6 THRD HOLES
(PER HALF) EQU SPC

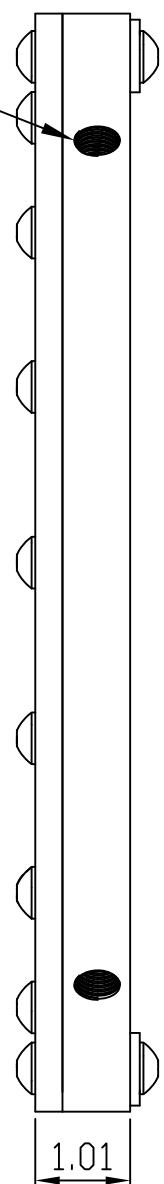
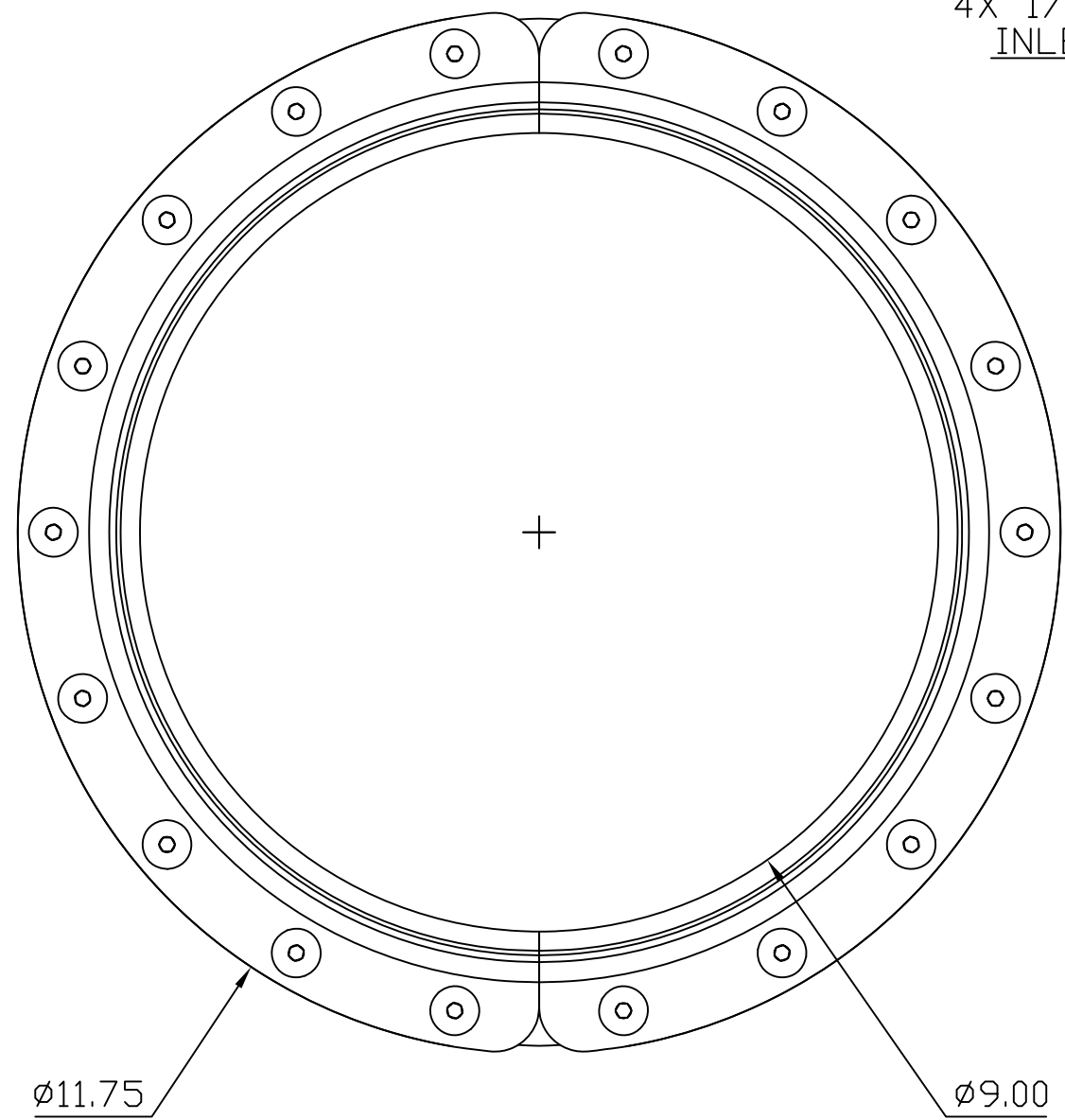
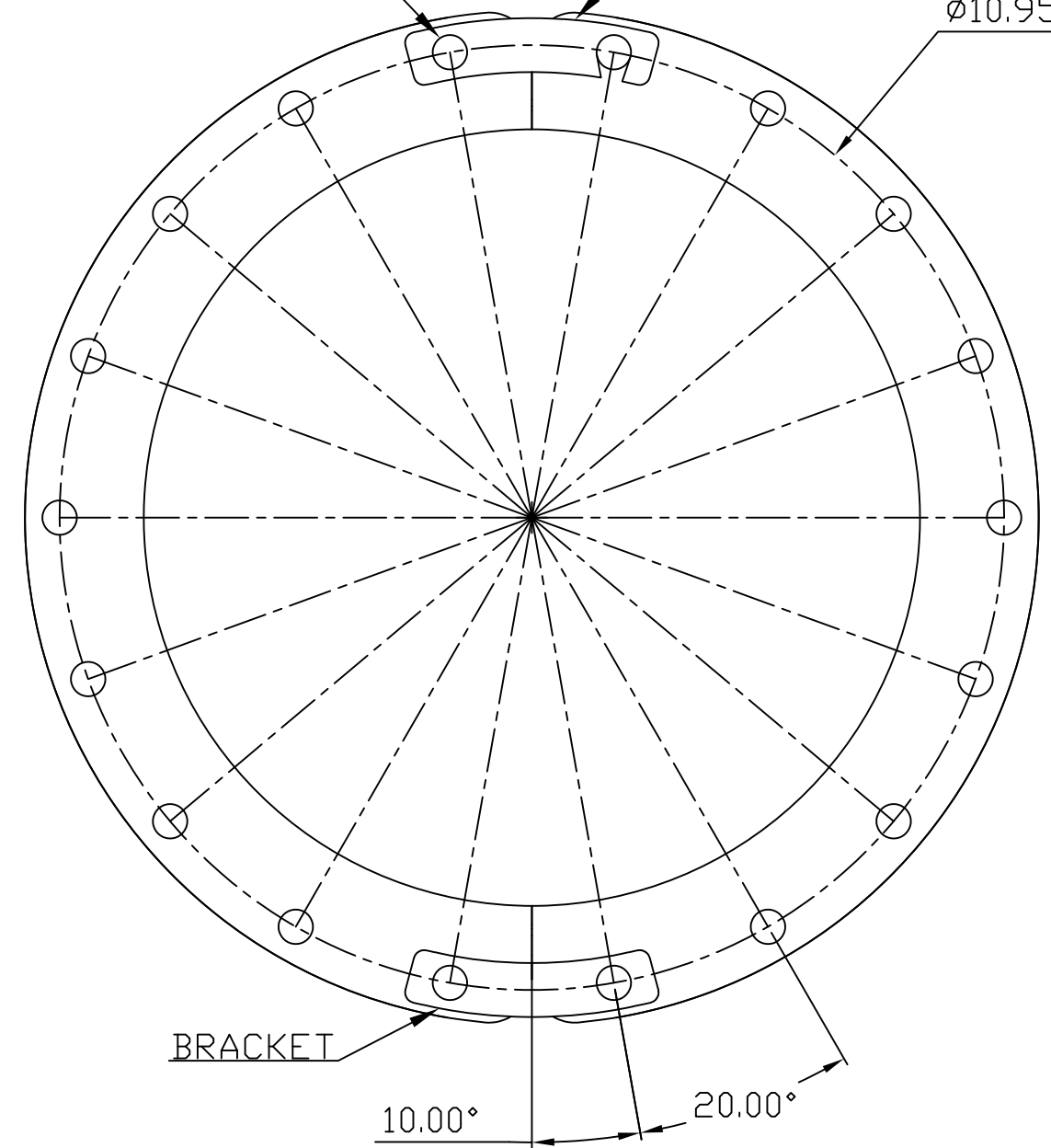
SLOTTED BRACKET

Ø10.95

4X 1/4 NPT
INLETS

B

B



A

A

HOLE LOCATION PLUS BRACKETS

PROPRIETARY AND CONFIDENTIAL
 THE INFORMATION CONTAINED IN THIS DRAWING IS THE SOLE PROPERTY OF NEXFLOW. ANY REPRODUCTION IN PART OR AS A WHOLE WITHOUT THE WRITTEN PERMISSION OF NEXFLOW IS PROHIBITED.

		UNLESS OTHERWISE SPECIFIED		NAME	DATE	NEX FLOW™ AIR PRODUCTS CORP. 10520 YOUNG STREET, UNIT 35B220, RICHMOND HILL, ON, L4C 3C7 TEL: (416) 410-1313 & FAX: (416) 410-1806 www.nexflow.com	
		DIMENSIONS ARE IN INCHES		DRAWN	AMMAD	APR/23/21	TITLE:
		TOLERANCES:		CHECKED			9" RING BLADE
		FRACTIONAL ±		ENG APPR.			
		ANGULAR: MACH ± BEND ±		MFG APPR.			
		TWO PLACE DECIMAL ±		Q.A.			SIZE MODEL #:
		THREE PLACE DECIMAL ±					B 20009
		INTERPRET GEOMETRIC TOLERANCING PER:					REV
		MATERIAL					1
		FINISH					SCALE: 1:2
NEXT ASSY	USED ON	APPLICATION		DO NOT SCALE DRAWING			WEIGHT:
							SHEET 1 OF 1

4

3

2

1