

RING VAC™

Convey solid materials, waste, trim, small parts with virtually no moving parts

WHAT ARE THEY - REASONS TO USE

The Ring Vac™ - Pneumatic Conveying System has virtually no moving parts, conveys material at high rates and over long distances. They utilize only compressed air for a powerful, efficient venturi action along its length in a compact design for high capacity conveying over large distances. Ring Vacs are available in both coated aluminum or stainless steel. Simply clamp a standard hose size to each end of the Ring Vac™ to create this high energy conveying system. Threaded versions may be connected into standard pipe thread. No moving parts for maintenance free operation with capacity and flow controlled with a pressure regulator. Sizes are 3/8" (10mm), 1/2" (13mm), 3/4" (19mm), 1" (24.4mm), 1-1/4" (32mm), 1-1/2" (38mm) and 2" (51mm) and 3" (76.2mm). Any size beyond that can be prohibitive for most applications due to high compressed air requirements.

Beyond 3", the vacuum ability begins to drop significantly except for highly intermittent applications. However 3" units are available for such applications. Larger sizes are available on special order.

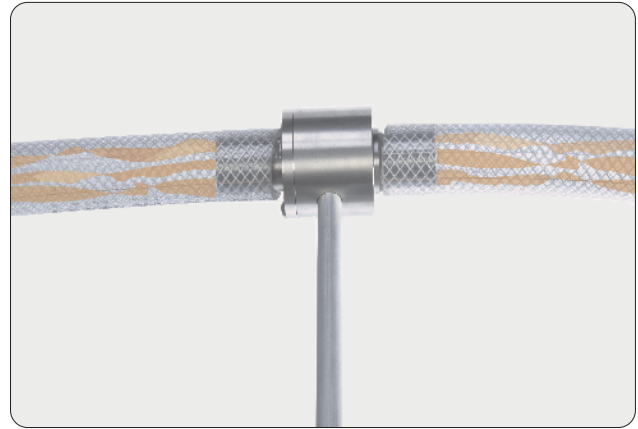
Anodized aluminum and high temperature stainless steel Ring Vac™ air conveyor can convey all types of solids in large volumes over great distances with no moving parts.

APPLICATIONS:

- ▶ Hopper Loading
- ▶ Material Conveying
- ▶ Trim Removal
- ▶ Transfer Parts
- ▶ Filling Operations
- ▶ Thread/fiber Tensioning

RING VAC™ BENEFITS:

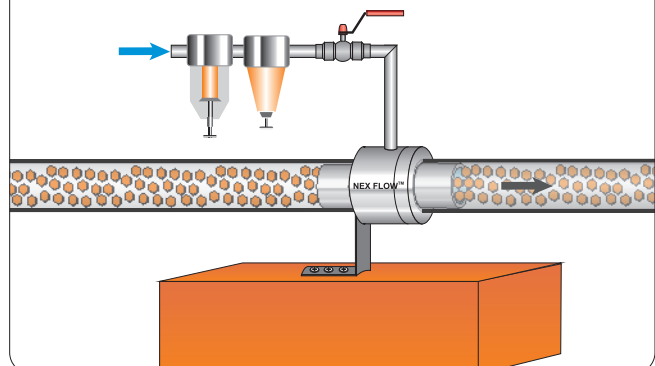
- ▶ Longer life in difficult environments than competitive models.
- ▶ Ease of use.
- ▶ Simple and easy control of material flow.
- ▶ Maintenance free operation.



RING VAC™ FEATURES:

- ▶ Made of anodized aluminum with no moving parts. Regular and high temperature stainless steel models are available for higher temperature and corrosive environments.
- ▶ Standard sizes to fit standard hose diameter for easy clamping. Threaded versions connect easily to regular pipe thread : 1" (25mm), 1-1/4" (32mm), 1-1/2" (38mm), 2" (51mm). Special sizes can be manufactured if required.
- ▶ Utilizing a pressure regulator will control the flow material.
- ▶ Instant on/off with no moving parts, no electricity or explosion hazard.

A Model 30004S Stainless Steel 2" Ring Vac™ Air operated conveyor moves dried peas at a pet food manufacturing facility.



TYPES OF RING VACS

The Ring Vac™ Pneumatic Conveying System is available in anodized aluminum, 303/304 stainless steel and in 316L stainless steel. Our special high temperature stainless version is rated to 1200°F (649°C)

Regular models connect to a standard hose or tube to provide a powerful and simply in-line conveying system. Threaded versions thread directly into threaded pipe.

Special materials can be utilized for unique applications. If greater conveying force is required the conveying “generator” can be machined for higher capacities although they will use more compressed air.

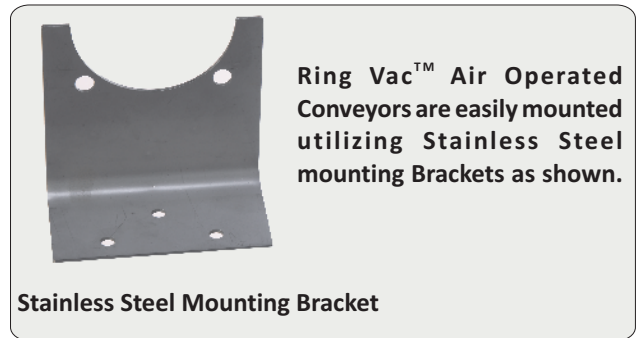
An optional bracket allows for easy mounting.



SELECTION

The Ring Vac™ is available in a wide variety of sizes depending on your application. There are certain criteria to determine the size you need:

- ▶ Diameter of the parts that need to be conveyed
- ▶ Rate required for conveying (by weight or volume)
- ▶ Diameter of the tube, pipe or hose used
- ▶ Material- Aluminum, stainless or high temperature (To 1200°F (650°C)) stainless
- ▶ Hose connection with clamp or threaded unit

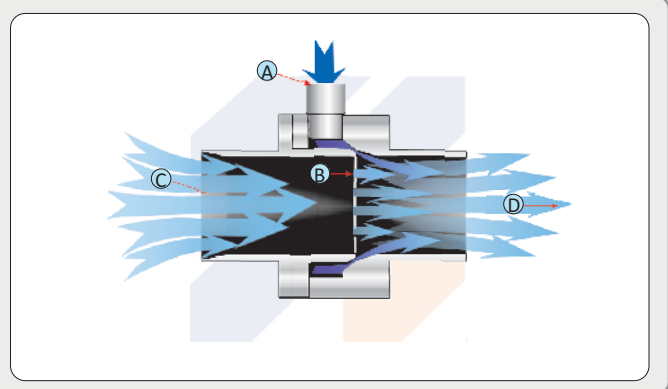


SPECIAL DESIGNS

The high temperature models are suited to temperatures up to 1200°F (650°C). One ideal use is for sampling flue gases. Special versions can be supplied with medical flanges, and specific materials, higher flow rates and vacuum depending on your application.

RING VAC™ - HOW IT WORKS:

Ring-Vac™ compressed air conveying system - Compressed air enters at point (A) into a annular plenum chamber and injected into the throat of the unit through directed nozzles. These jets of compressed air create a vacuum at the inlet (C) which draws in material and accelerates it through the unit and out at (D) conveying the material over a great vertical or horizontal distance.



DIMENSIONS - NOTES ON PART NUMBERS:

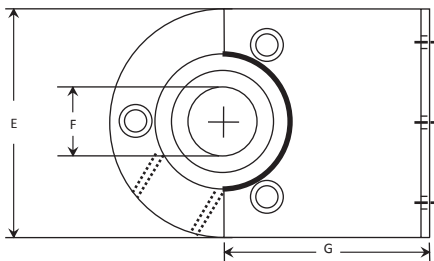
S - stainless TS - threaded stainless THTS - high temperature threaded stainless
 T - threaded HTS - high temperature stainless

Dimensions in inches and (mm)

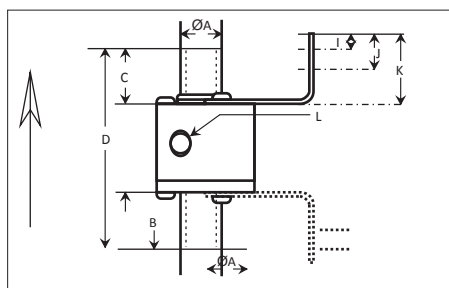
PART NUMBER (aluminum & stainless)	A IN (MM)	B IN (MM)	C IN (MM)	D IN (MM)	E IN (MM)	F IN (MM)	G IN (MM)	H IN (MM)	I IN (MM)	J IN (MM)	K IN (MM)	L
39998, 39998S 39998HTS	0.375" (10.0)	0.63" (16.0)	0.63" (16.0)	2.18" (65.0)	1.00" (25.0)	0.19" (5.0)	-	-	-	-	-	1/8" NPT
39999, 39999S 39999HTS	0.50" (13.0)	0.75" (19.0)	0.75" (25.4)	2.62" (19.0)	1.25" (32.0)	0.31" (8.0)	-	-	-	-	-	1/8" NPT
30000, 30000S, 30000HTS, 30000S-316L, 30000HTS-316L	0.75" (19.0)	1.00" (25.4)	1.00" (25.4)	3.94" (100.0)	1.95" (49.5)	0.55" (14.0)	1.92" (48.73)	0.95" (15.0)	0.39" (10.0)	1.18" (30.0)	1.97" (50.0)	1/4" NPT
30001, 30001S, 30001T 30001TS, 30001HTS 30001THTS, 30001S-316L 30001HTS-316L	1.00" (25.4)	1.38" (35.1)	1.50" (38.1)	4.88" (124.0)	2.24" (56.8)	0.75" (19.0)	2.17" (55.0)	0.73" (18.5)	0.39" (10.0)	1.58" (40.0)	1.97" (50.0)	1/4" NPT
30002, 30002S, 30002T 30002TS, 30002HTS 30002THTS, 30002S-316L 30002HTS-316L	1.25" (31.8)	1.38" (35.1)	1.50" (38.1)	4.88" (124.0)	2.49" (63.2)	1.00" (25.4)	2.21" (56.3)	0.73" (18.5)	0.39" (10.0)	1.77" (45.0)	2.17" (55.0)	1/4" NPT
30003, 30003S, 30003T 30003TS, 30003HTS 30003THTS, 30003S-316L 30003HTS-316L	1.50" (38.1)	1.38" (35.1)	1.50" (38.1)	4.88" (124.0)	2.75" (69.9)	1.125" (28.6)	2.15" (54.5)	0.89" (22.5)	0.39" (10.0)	1.58" (40.0)	1.97" (50.0)	3/8" NPT
30004, 30004S, 30004T 30004TS, 30004HTS 30004THTS, 30004S-316L 30004HTS-316L	2.00" (50.8)	1.38" (35.1)	1.50" (38.1)	4.88" (124.0)	3.21" (81.6)	1.75" (44.5)	2.39" (60.7)	1.18" (30.0)	0.39" (10.0)	1.58" (40.0)	1.97" (50.0)	3/8" NPT
30005, 30005S 30005HTS	2.50" (63.5)	1.38" (35.1)	1.50" (38.1)	5.29" (134.5)	3.94" (100.0)	2.19" (55.6)	-	-	-	-	-	3/8" NPT
30006, 30006S 30006TS, 30006HTS 30006THTS	3.0" (76.2)	1.58" (40.0)	1.58" (40.0)	5.59" (142.0)	4.33" (110.0)	2.68" (68.0)	-	-	-	-	-	1/2" NPT
30007, 30007S 30007HTS	4.0" (101.6)	1.7" (44.4)	1.7" (44.4)	5.6" (142.9)	5.2" (133.3)	3.7" (93.6)	-	-	-	-	-	1/2" NPT
30008, 30008S 30008HTS	5.0" (127.0)	1.7" (44.4)	1.7" (44.4)	5.6" (142.9)	6.2" (158.7)	4.7" (119.0)	-	-	-	-	-	1/2" NPT

RING VAC™ AIR OPERATED CONVEYOR SYSTEMS

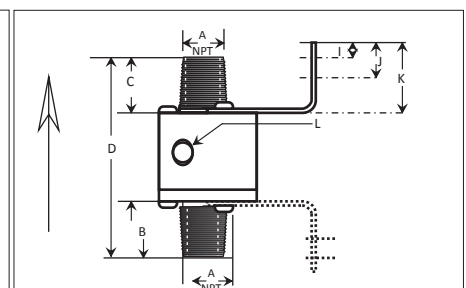
Top View



Series 30000 - 30006
Series 30001S - 30004S



Series 30001T - 30004T Threaded
Series 30001TS - 30004TS Threaded



RING VAC™ PNEUMATIC CONVEYING SYSTEM PERFORMANCE:

MODEL	SIZE OUTSIDE DIAMETER INCHES (MM)	AIR CONSUMPTION SCFM AT 80 PSIG (SLPM AT 5.5 BAR)	VACUUM INCHES H2O (KPA)
39998 / 39998S / 39998HTS	3/8" (10mm)	5.6 (158)	-120 (-29.9)
39999 / 39999S / 39999HTS	1/2" (13mm)	7 (198)	-100 (-24.9)
30000 / 30000S / 30000HTS / 30000S-316L / 30000HTS-316L	3/4" (19mm)	11 (303)	-72 (-18)
30001 / 30001S / 30001T / 30001TS / 30001HTS / 30001THTS / 30001S-316L / 30001HST-316L	1" (25mm)	15 (415)	-42 (-11)
30002 / 30002S / 30002T / 30002TS / 30002HTS / 30002THTS / 30002S-316L / 30002HST-316L	1-1/4" (32mm)	26 (730)	-42 (-11)
30003TS / 30003THTS / 30003HTS / 30003THTS / 30003S-316L / 30003HTS-316L	1-1/2" (38mm)	33 (932)	-39 (-9)
30004 / 30004S / 30004T / 30004TS / 30004THTS / 30004HTS / 30004S-316L / 30004HTS-316L	2" (51mm)	45 (1270)	-28 (-7)
30005 / 30005S / 30005HTS	2-1/2" (63.5mm)	58.5 (1655)	-23.5 (-6)
30006 / 30006S / 30006HTS / 30006TS / 30006THTS	3" (76mm)	69 (1940)	-14.7 (-4)
30007 / 30007S / 30007HTS	4" (101.6mm)	95 (2690)	-13.6 (3.4)
30008 / 30008S / 30008HTS	5" (127mm)	128 (3625)	-10.5 (-2.6)

RING VAC™ IN-LINE CONVEYERS : ALUMINUM RING VACS

PART NO.	DESCRIPTION
39998	3/8" Aluminum Ring Vac Only
39999	1/2" Aluminum Ring Vac™ Only
30000	3/4" Aluminum Ring Vac Only
30001	1" Aluminum Ring Vac™ Only
30002	1-1/4" Aluminum Ring Vac™ Only
30003	1-1/2" Aluminum Ring Vac™ Only
30004	2" Aluminum Ring Vac™ Only
30005	2-1/2" Aluminum Ring Vac™ Only
30006	3" Aluminum Ring Vac™ Only
30007	4" Aluminum Ring Vac™ Only
30008	5" Aluminum Ring Vac™ Only
31998	3/8" Aluminum Ring Vac™ Plus Filter with Auto Drain
31999	1/2" Aluminum Ring Vac™ Plus Filter with Auto Drain
31000	3/4" Aluminum Ring Vac™ Plus Filter with Auto Drain
31001	1" Aluminum Ring Vac™ plus Filter with Auto Drain
31002	1-1/4" Aluminum Ring Vac™ plus Filter with Auto Drain
31003	1-1/2" Aluminum Ring Vac™ plus Filter with Auto Drain
31004	2" Aluminum Ring Vac™ plus Filter with Auto Drain
31005	2-1/2" Aluminum Ring Vac™ Plus Filter with Auto Drain
31006	3" Aluminum Ring Vac™ Plus Filter with Auto Drain
32998	3/8" Aluminum Ring Vac Plus Filter with Auto Drain and Regulator with Gauge
32999	1/2" Aluminum Ring Vac Plus Filter with Auto Drain and Regulator with Gauge
32000	3/4" Aluminum Ring Vac Plus Filter with Auto Drain and Regulator with Gauge
32001	1" Aluminum Ring Vac™ plus Filter with Auto Drain & Regulator with Gauge
32002	1-1/4" Aluminum Ring™ Vac plus Filter with Auto Drain & Regulator with Gauge
32003	1-1/2" Aluminum Ring Vac™ plus Filter with Auto Drain & Regulator with Gauge
32004	2" Aluminum Ring Vac™ plus Filter with Auto Drain & Regulator with Gauge
32005	2-1/2" Aluminum Ring Vac™ Plus Filter with Auto Drain and Regulator with Gauge
32006	3" Aluminum Ring Vac™ Plus Filter with Auto Drain and Regulator with Gauge
30001T	1" Threaded Aluminum Ring Vac™ Only
30002T	1-1/4" Threaded Aluminum Ring Vac™ Only



RING VAC™ IN-LINE CONVEYERS : ALUMINUM RING VACS (CON'T)

PART NO.	DESCRIPTION
30003T	1-1/2" Threaded Aluminum Ring Vac™ Only
30004T	2" Threaded Aluminum Ring Vac™ Only
31001T	1" Threaded Aluminum Ring Vac™ plus Filter with Auto Drain
31002T	1-1/4" Threaded Aluminum Ring Vac™ plus Filter with Auto Drain
31003T	1-1/2" Threaded Aluminum Ring Vac™ plus Filter with Auto Drain
31004T	2" Threaded Aluminum Ring Vac™ plus Filter with Auto Drain
32001T	1" Threaded Aluminum Ring Vac™ & Filter + Auto Drain & Regulator with Gauge
32002T	1-1/4" Threaded Alum. Ring Vac™ & Filter + Auto Drain & Regulator with Gauge
32003T	1-1/2" Threaded Alum. Ring Vac™ & Filter + Auto Drain & Regulator with Gauge
32004T	2" Threaded Aluminum Ring Vac™ & Filter + Auto Drain & Regulator with Gauge

RING VAC™ IN-LINE CONVEYERS : STAINLESS STEEL RING-VACS

PART NO.	DESCRIPTION
39998S	3/8" Stainless Ring Vac™ Only
39999S	1/2" Stainless Ring Vac™ Only
30000S	3/4" Stainless Ring Vac™ Only
30001S	1" Stainless Ring Vac™ Only
30002S	1-1/4" Stainless Ring Vac™ Only
30003S	1-1/2" Stainless Ring Vac™ Only
30004S	2" Stainless Ring Vac™ Only
30005S	2-1/2" Stainless Ring Vac™ Only
30006S	3" Stainless Ring Vac™ Only
30007S	4" Stainless Ring Vac™ Only
30008S	5" Stainless Ring Vac™ Only
31998S	3/8" Stainless Ring Vac™ plus Filter with Auto Drain
31999S	1/2" Stainless Ring Vac™ plus Filter with Auto Drain
31000S	3/4" Stainless Ring Vac™ plus Filter with Auto Drain
31001S	1" Stainless Ring Vac™ plus Filter with Auto Drain
31002S	1-1/4" Stainless Ring Vac™ plus Filter with Auto Drain
31003S	1-1/2" Stainless Ring Vac™ plus Filter with Auto Drain
31004S	2" Stainless Ring Vac™ plus Filter with Auto Drain
31005S	2-1/2" Stainless Ring Vac™ plus Filter with Auto Drain
31006S	3" Stainless Ring Vac™ plus Filter with Auto Drain
32998S	3/8" Stainless Ring Vac™ plus Filter with Auto Drain & Regulator with Gauge
32999S	1/2" Stainless Ring Vac™ plus Filter with Auto Drain & Regulator with Gauge
32000S	3/4" Stainless Ring Vac™ plus Filter with Auto Drain & Regulator with Gauge
32001S	1" Stainless Ring Vac™ plus Filter with Auto Drain & Regulator with Gauge
32002S	1-1/4" Stainless Ring Vac™ plus Filter with Auto Drain & Regulator with Gauge
32003S	1-1/2" Stainless Ring Vac™ plus Filter with Auto Drain & Regulator with Gauge
32004S	2" Stainless Ring Vac™ plus Filter with Auto Drain & Regulator with Gauge
32005S	2-1/2" Stainless Ring Vac™ plus Filter with Auto Drain & Regulator with Gauge
32006S	3" Stainless Ring Vac™ plus Filter with Auto Drain & Regulator with Gauge
30001TS	1" Threaded Stainless Ring Vac™ Only
30002TS	1-1/4" Threaded Stainless Ring Vac™ Only
30003TS	1-1/2" Threaded Stainless Ring Vac™ Only

RING VAC™ AIR OPERATED CONVEYOR SYSTEMS




RING VAC™ IN-LINE CONVEYERS : STAINLESS STEEL RING-VACS (Con't)

PART NO.	DESCRIPTION
30004TS	2" Threaded Stainless Ring Vac™ Only
30006TS	3" Threaded Stainless Ring Vac™ Only
31001TS	1" Threaded Stainless Ring Vac™ plus Filter with Auto Drain
31002TS	1-1/4" Threaded Stainless Ring Vac™ plus Filter with Auto Drain
31003TS	1-1/2" Threaded Stainless Ring Vac™ plus Filter with Auto Drain
31004TS	2" Threaded Stainless Ring Vac™ plus Filter with Auto Drain
31006TS	3" Threaded Stainless Ring Vac™ plus Filter with Auto Drain
32001TS	1" Threaded Stainless Ring Vac™ & Filter + Auto Drain & Regulator with Gauge
32002TS	1-1/4" Threaded SS. Ring Vac™ & Filter + Auto Drain & Regulator with Gauge
32003TS	1-1/2" Threaded SS. Ring Vac™ & Filter + Auto Drain & Regulator with Gauge
32004TS	2" Threaded Stainless Ring Vac™ & Filter + Auto Drain & Regulator with Gauge
32006TS	3" Threaded Stainless Ring Vac™ & Filter + Auto Drain & Regulator with Gauge

RING VAC™ IN-LINE CONVEYERS : HIGH TEMPERATURE STAINLESS STEEL RING VACS

PART NO.	DESCRIPTION
39998HTS	3/8" High Temperature Stainless Ring Vac™ Only
39999HTS	1/2" High Temperature Stainless Ring Vac™ Only
30000HTS	3/4" High Temperature Stainless Ring Vac™ Only
30001HTS	1" High Temperature Stainless Ring Vac™ Only
30002HTS	1-1/4" High Temperature Stainless Ring Vac™ Only
30003HTS	1-1/2" High Temperature Stainless Ring Vac™ Only
30004HTS	2" High Temperature Stainless Ring Vac™ Only
30005HTS	2-1/2" High Temperature Stainless Ring Vac™ Only
30006HTS	3" High Temperature Stainless Ring Vac™ Only
30007HTS	4" High Temperature Stainless Ring Vac™ Only
30008HTS	5" High Temperature Stainless Ring Vac™ Only
31998HTS	3/8" High Temperature Stainless Ring Vac™ plus Filter with Auto Drain
31999HTS	1/2" High Temperature Stainless Ring Vac™ plus Filter with Auto Drain
31000HTS	3/4" High Temperature Stainless Ring Vac™ plus Filter with Auto Drain
31001HTS	1" High Temperature Stainless Ring Vac™ plus Filter with Auto Drain
31002HTS	1-1/4" High Temperature Stainless Ring Vac™ plus Filter with Auto Drain
31003HTS	1-1/2" High Temperature Stainless Ring Vac™ plus Filter with Auto Drain
31004HTS	2" High Temperature Stainless Ring Vac™ plus Filter with Auto Drain
31005HTS	2-1/2" High Temperature Stainless Ring Vac™ plus Filter with Auto Drain
31006HTS	3" High Temperature Stainless Ring Vac™ plus Filter with Auto Drain
32998HTS	3/8" High Temp. SS. Ring Vac™ plus Filter + Auto Drain & Regulator with Gauge
32999HTS	1/2" High Temp. SS. Ring Vac™ plus Filter + Auto Drain & Regulator with Gauge
32000HTS	3/4" High Temp. SS. Ring Vac™ plus Filter + Auto Drain & Regulator with Gauge
32001HTS	1" High Temp. SS. Ring Vac™ plus Filter + Auto Drain & Regulator with Gauge
32002HTS	1-1/4" High Temp. SS. Ring Vac™ plus Filter + Auto Drain & Regulator with Gauge
32003HTS	1-1/2" High Temp. SS. Ring Vac™ plus Filter + Auto Drain & Regulator with Gauge

RING VAC™ IN-LINE CONVEYERS: HIGH TEMPERATURE STAINLESS STEEL RING VACS (Con't)

PART NO.	DESCRIPTION
32004HTS	2" High Temp. SS. Ring Vac™ plus Filter + Auto Drain & Regulator with Gauge
32005HTS	2-1/2" High Temp. SS. Ring Vac™ plus Filter + Auto Drain & Regulator with Gauge
32006HTS	3" High Temp. SS. Ring Vac™ plus Filter + Auto Drain & Regulator with Gauge
30001THTS	1" High Temperature Threaded Stainless Ring Vac™ Only
30002THTS	1-1/4" High Temperature Threaded Stainless Ring Vac™ Only
30003THTS	1-1/2" High Temperature Threaded Stainless Ring Vac™ Only
30004THTS	2" High Temperature Threaded Stainless Ring Vac™ Only
30006THTS	3" High Temperature Threaded Stainless Ring Vac™ Only
31001THTS	1" High Temp. Threaded SS. Ring Vac™ plus Filter with Auto Drain
31002THTS	1-1/4" High Temp. Threaded SS. Ring Vac™ plus Filter with Auto Drain
31003THTS	1-1/2" High Temp. Threaded SS. Ring Vac™ plus Filter with Auto Drain
31004THTS	2" High Temp. Threaded SS. Ring Vac™ plus Filter with Auto Drain
31006THTS	3" High Temp. Threaded SS. Ring Vac™ plus Filter with Auto Drain
32001THTS	1" High Temp. Threaded SS. Ring Vac™ & Filter + Auto Drain & Regulator with Gauge
32002THTS	1-1/4" High Temp. Threaded SS. Ring Vac™ & Filter + Auto Drain & Regulator with Gauge
32003THTS	1-1/2" High Temp. Threaded SS. Ring Vac™ & Filter + Auto Drain & Regulator with Gauge
32004THTS	2" High Temp. Threaded SS. Ring Vac™ & Filter + Auto Drain & Regulator with Gauge
32006THTS	3" High Temp. Threaded SS. Ring Vac™ & Filter + Auto Drain & Regulator with Gauge
30000S-316L	3/4" 316L Stainless Ring Vac™ Only
30000S-316L	1" 316L Stainless Ring Vac™ Only
30001S-316L	1-1/4" 316L Stainless Ring Vac™ Only
30002S-316L	1-1/2" 316L Stainless Ring Vac™ Only
30003S-316L	2" 316L Stainless Ring Vac™ Only
31000S-316L	3/4" 316L Stainless Ring Vac™ plus Filter with Auto Drain
31001S-316L	1" 316L Stainless Ring Vac™ plus Filter with Auto Drain
31002S-316L	1-1/4" 316L Stainless Ring Vac™ plus Filter with Auto Drain
31003S-316L	1-1/2" 316L Stainless Ring Vac™ plus Filter with Auto Drain
31004S-316L	2" 316L Stainless Ring Vac™ plus Filter with Auto Drain
32000S-316L	3/4" 316L Stainless Ring Vac™ plus Filter with Auto Drain & Regulator with Gauge
32001S-316L	1" 316L Stainless Ring Vac™ plus Filter with Auto Drain & Regulator with Gauge
32002S-316L	1-1/4" 316L Stainless Ring Vac™ plus Filter with Auto Drain & Regulator with Gauge

RING VAC™ AIR OPERATED CONVEYOR SYSTEMS


RING VAC™ IN-LINE CONVEYERS: HIGH TEMPERATURE STAINLESS STEEL RING VACS (Con't)

PART NO.	DESCRIPTION
32003S-316L	1-1/2" 316L Stainless Ring Vac™ plus Filter with Auto Drain & Regulator with Gauge
32004S-316L	2" 316L Stainless Ring Vac™ plus Filter with Auto Drain & Regulator with Gauge
30000HTS-316L	3/4" 316L High Temperature Stainless Ring Vac™ Only
30001HTS-316L	1" 316L High Temperature Stainless Ring Vac™ Only
30002HTS-316L	1-1/4" 316L High Temperature Stainless Ring Vac™ Only
30003HTS-316L	1-1/2" 316L High Temperature Stainless Ring Vac™ Only
30004HTS-316L	2" 316L High Temperature Stainless Ring Vac™ Only
31000HTS-316L	3/4" 316L High Temperature Stainless Ring Vac™ + Filter with Auto Drain
31001HTS-316L	1" 316L High Temperature Stainless Ring Vac™ + Filter with Auto Drain
31002HTS-316L	1-1/4" 316L High Temperature Stainless Ring Vac™ + Filter with Auto Drain
31003HTS-316L	1-1/2" 316L High Temperature Stainless Ring Vac™ + Filter with Auto Drain
31004HTS-316L	2" 316L High Temperature Stainless Ring Vac™ + Filter with Auto Drain
32000HTS-316L	3/4" 316L High Temp. Stainless Ring Vac™ + Filter with Auto Drain & Regulator with Drain
32001HTS-316L	1" 316L High Temp. Stainless Ring Vac™ + Filter with Auto Drain & Regulator with Drain
32002HTS-316L	1-1/4" 316L High Temp. Stainless Ring Vac™ + Filter with Auto Drain & Regulator with Drain
32003HTS-316L	1-1/2" 316L High Temp. Stainless Ring Vac™ + Filter with Auto Drain & Regulator with Drain
32004HTS-316L	2" 316L High Temp. Stainless Ring Vac™ + Filter with Auto Drain & Regulator with Drain

PART NO.	DESCRIPTION
39000S	Stainless Steel Bracket for 30000, 30000S and 30000HTS
39001S	Stainless Steel Bracket for 30001, 30001T, 30001S, 30001TS, 30001HTS, 30001THTS
39002S	Stainless Steel Bracket for 30002, 30002T, 30002S, 30002TS, 30002HTS, 30002THTS
39003S	Stainless Steel Bracket for 30003, 30003T, 30003S, 30003TS, 30003HTS, 30003THTS
39004S-A	Stainless Steel Bracket for 30004 and 30004T
39004S-S	Stainless Steel Bracket for 30004S, 30004TS, 30004HTS, 30004THTS



X-STREAM™ RING VAC™

Convey solid materials, waste, trim, small parts with virtually no moving parts further with wear resistance

WHAT ARE THEY - REASONS TO USE

Conveyors X-Stream™ Ring Vac™ – pneumatic conveying system is similar to the regular Ring Vac™ but with much more power to convey materials much further both vertically and horizontally. In addition they are hard anodized for abrasion resistance to make them last long in moving abrasive, rough materials. As with the regular Ring Vac™ they utilize only compressed air for a powerful, efficient venture i action along its length in a compact design for high capacity conveying over large distances. Simply clamp a standard hose size to each end of the Ring Vac™ to create this high energy conveying system. Threaded versions may be connected into standard pipe thread. No moving parts for maintenance free operation with capacity and flow controlled with a pressure regulator. Sizes are 1" (25mm), 1-1/4" (32 mm), 1-1/2" (38 mm) and 2" (51 mm). Any size beyond that can be prohibitive for most applications due to high compressed air requirements.

Beyond 2", the vacuum ability begins to drop significantly except for highly intermittent applications. For applications beyond 2", a blower system often becomes far more economical except in a rare number of possible applications. However, larger size versions are available on special order. Anodized aluminum and high temperature stainless steel Ring Vac™ air conveyor can convey all types of solids in large volumes over great distances with no moving parts.

APPLICATIONS:

- ▶ Hopper Loading
- ▶ Material Conveying
- ▶ Trim Removal
- ▶ Transfer Parts
- ▶ Filling Operations
- ▶ Thread/fiber Tensioning

HEAVY DUTY X-STREAM™ RING VAC™ BENEFITES:

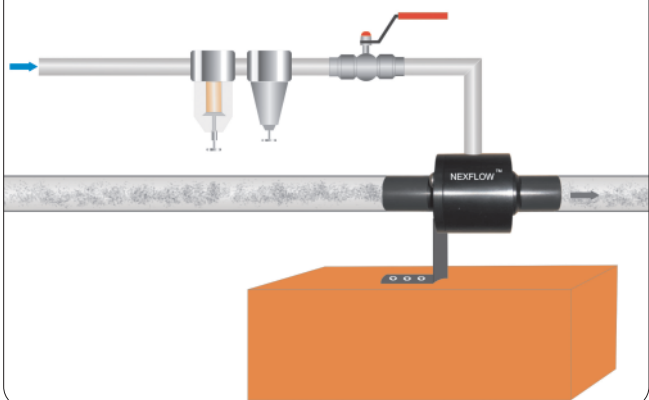
- ▶ Longer life in difficult environments than competitive models.
- ▶ Ease of use.
- ▶ Simple and easy control of material flow.
- ▶ Maintenance free operation.



HEAVY DUTY X-STREAM™ RING VAC™ FEATURES:

- ▶ Made of Hard Anodized aluminum with no moving parts. Ideal for moving abrasive materials
- ▶ Extra strength to convey longer distances both vertically and horizontally than standard models.
- ▶ Utilizing a pressure regulator will control the flow of material
- ▶ Instant on/off with no moving parts, no electricity or explosion hazard

Heavy Duty X-Stream™ Ring Vac™ Model 30002X transports an abrasive material over 100 feet across a plant floor from one operation to the next



TYPES OF RING VACS

The Heavy Duty X-Stream™ Ring Vac™ Pneumatic Conveying System comes in hard anodized aluminum for abrasion resistance and with more power than the standard versions to convey greater vertical and horizontal distances. Regular models connect to a standard hose or tube to provide a powerful and simply in-line conveying system. Threaded versions thread directly into threaded pipe.

The generator can be machined further for even larger capacities and distances although they can will use more compressed air.

An optional bracket allows form easy mounting.



Heavy Duty X-Stream™ Ring Vac™ Air Operated conveyor

Threaded Heavy Duty X-Stream™ Ring Vac™ Air Operated conveyor

SELECTION

The Heavy Duty X-Stream™ Ring Vac™ is available in a wide variety of sizes depending on your application. There are certain criteria to determine the size you need:

- ▶ Diameter of the parts that need to be conveyed
- ▶ Rate required for conveying (by weight or volume)
- ▶ Diameter of the tube, pipe or hose used
- ▶ Material- Hard Anodized Aluminum



Heavy Duty X-Stream™ Ring Vac™ Air Operated Conveyors are easily mounted utilizing Stainless Steel mounting Brackets as shown.

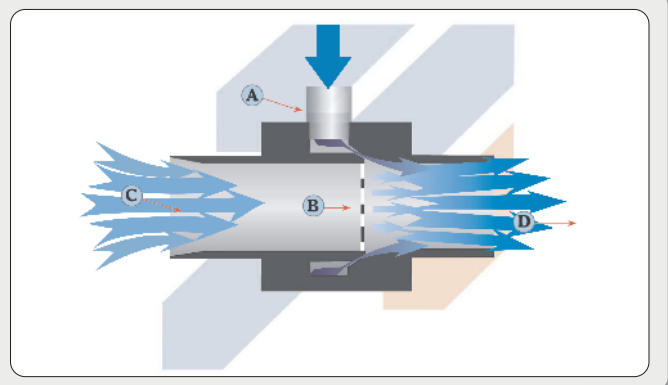
Stainless Steel Mounting Bracket

SPECIAL DESIGNS

The high temperature models are suited to temperatures up to 1200°F (650°C). One ideal use is for sampling flue gases. Special versions can be supplied with medical flanges, and specific materials, higher flow rates and vacuum depending on your application.

Heavy Duty X-Stream™ Ring Vac™ - HOW IT WORKS:

Ring-Vac™ compressed air conveying system - Compressed air enters at point (A) into a annular plenum chamber and injected into the throat of the unit through directed nozzles. These jets of compressed air create a vacuum at the inlet (C) which draws in material and accelerates it through the unit and out at (D) conveying the material over a great vertical or horizontal distance.



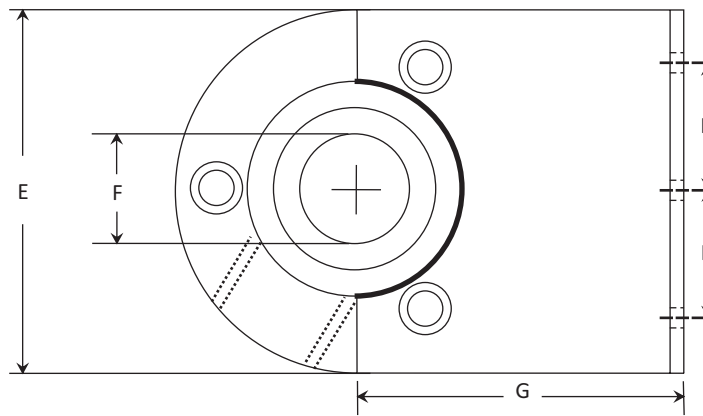
DIMENSIONS - NOTES ON PART NUMBERS:

T- threaded

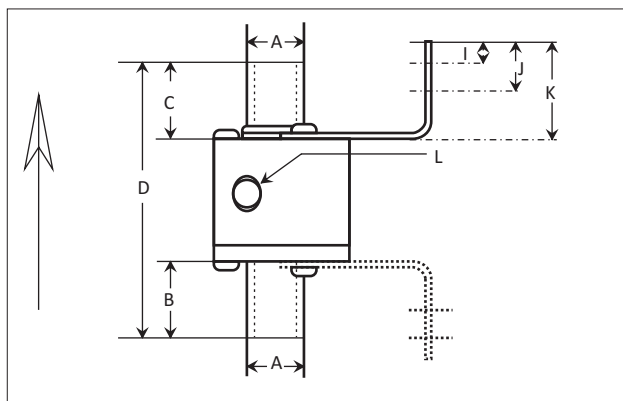
Dimensions in inches and (mm)

PART NUMBER (aluminum & stainless)	A IN (MM)	B IN (MM)	C IN (MM)	D IN (MM)	E IN (MM)	F IN (MM)	G IN (MM)	H IN (MM)	I IN (MM)	J IN (MM)	K IN (MM)	L
30001X, 30001XT	1.00" (25.4)	1.38" (35.1)	1.50" (38.1)	4.88" (124.0)	2.24" (56.8)	0.75" (19.0)	2.17" (55.0)	0.73" (18.5)	0.39" (10.0)	1.58" (40.0)	1.97" (50.0)	1/4 NPT
30002X, 30002XT	1.25" (31.8)	1.38" (35.1)	1.50" (38.1)	4.88" (124.0)	2.49" (63.2)	1.00" (25.4)	2.21" (56.3)	0.73" (18.5)	0.39" (10.0)	1.77" (45.0)	2.17" (55.0)	1/4 NPT
30003X, 30003XT	1.50" (38.1)	1.38" (35.1)	1.50" (38.1)	4.88" (124.0)	2.75" (69.9)	1.125" (28.6)	2.15" (54.5)	0.89" (22.5)	0.39" (10.0)	1.58" (40.0)	1.97" (50.0)	3/8 NPT
30004X, 30004XT	2.00" (50.8)	1.38" (35.1)	1.50" (38.1)	4.88" (124.0)	3.21" (81.6)	1.75" (44.5)	2.39" (60.7)	1.18" (30.0)	0.39" (10.0)	1.58" (40.0)	1.97" (50.0)	3/8 NPT

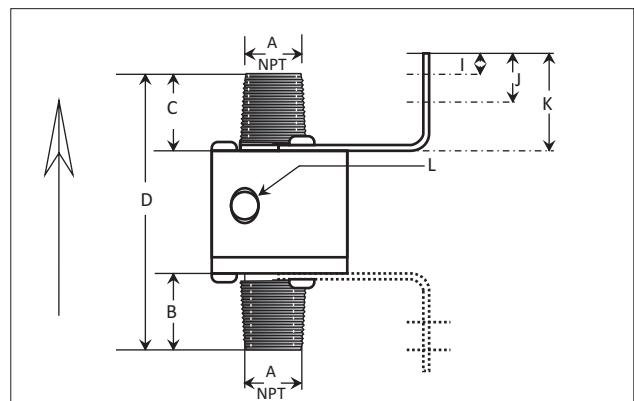
Top View



Series 30001X - 30004X



Series 30001XT - 30004XT Threaded



RING VAC™ AIR OPERATED CONVEYOR SYSTEMS

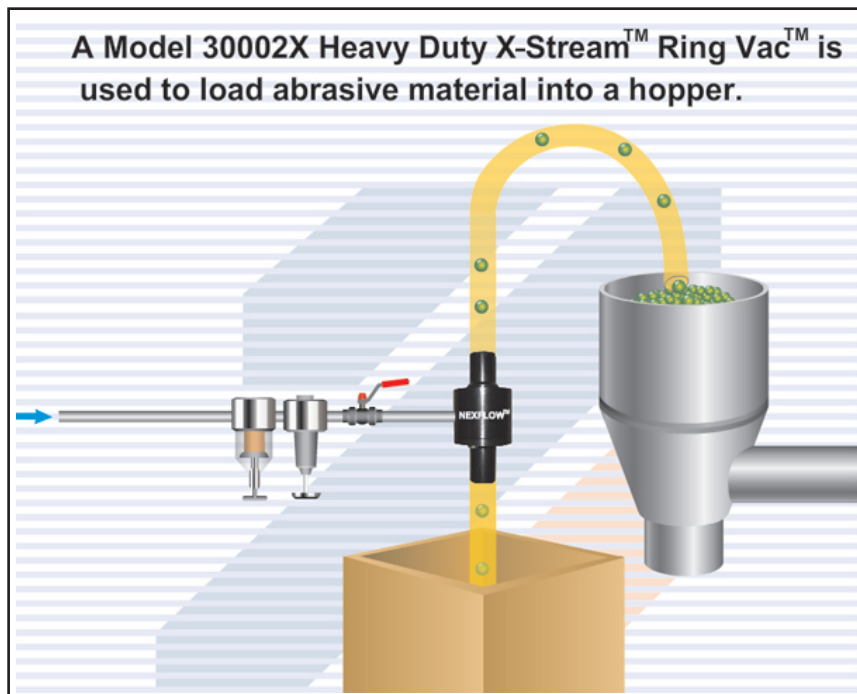


HEAVY DUTY X-STREAM™ RING VAC™ PNEUMATIC CONVEYING SYSTEM PERFORMANCE:

MODEL	SIZE OUTSIDE DIAMETER INCHES (MM)	AIR CONSUMPTION SCFM AT 80 PSIG (SLPM AT 5.5 BAR)	VACUUM INCHES H2O (KPA)
30001X, 30001XT	1" (25mm)	21 (595)	-60 (-15)
30002X, 30002XT	1 1/4" (32mm)	33 (934)	-55 (-14)
30003X, 30003XT	1-1/2" (38mm)	44 (1245)	-50 (-13)
30004X, 30004XT	2" (51mm)	58 (1642)	-36 (-9)

HEAVY DUTY X-STREAM™ RING VAC™ IN-LINE CONVEYERS

PART NO.	DESCRIPTION
30001X	1" X-Stream™ Ring Vac™ Only
30002X	1-1/4" Aluminum Ring Vac™ Only
30003X	1-1/2" Aluminum Ring Vac™ Only
30004X	2" Aluminum Ring Vac™ Only
31001X	1" Aluminum Ring Vac™ plus Filter with Auto Drain
31002X	1-1/4" Aluminum Ring Vac™ plus Filter with Auto Drain
31003X	1-1/2" Aluminum Ring Vac™ plus Filter with Auto Drain
31004X	2" Aluminum Ring Vac™ plus Filter with Auto Drain
32001X	1" Aluminum Ring Vac™ plus Filter with Auto Drain & Regulator with Gauge
32002X	1-1/4" Aluminum Ring™ Vac plus Filter with Auto Drain & Regulator with Gauge
32003X	1-1/2" Aluminum Ring Vac™ plus Filter with Auto Drain & Regulator with Gauge
32004X	2" Aluminum Ring Vac™ plus Filter with Auto Drain & Regulator with Gauge



X-STREAM™ SUPREME PNEUMATIC AIR OPERATED CONVEYOR – (XSPC)

NON-CLOGGING Powerful Air Operated Conveyor to convey solid materials, waste, trip small parts with no moving parts – straight through design prevents clogging

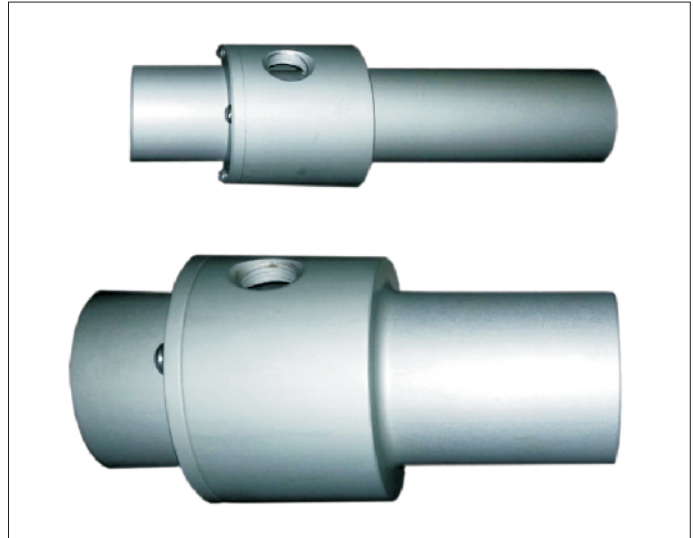
WHAT ARE THEY - REASONS TO USE

The X-STREAM™ SUPREME PNEUMATIC AIR OPERATED CONVEYOR, or XSPC is a pneumatic conveying system based on Ring Vac™ technology but design is such that the flow of material is “straight through” preventing the clogging of materials which may be subject to this in traditional venture systems. Designed for optimum air consumption efficiency but powerful conveying action. Material is hard anodized aluminum. Stainless steel can be provided n special order. Simply clamp a standard hose size to the end of the XSPC to operate this high energy conveying system. No moving parts for maintenance free operation with capacity and flow controlled with a pressure regulator. Sizes are based on internal dimensions: 1” (25mm), 1.25” (31.5 mm), 1.5” (38 mm) and 2” (50 mm) Inside diameters. Special versions can be produced for your applications.

Cleaning of the units is easy as they can be dismantled like the Ring Vac's, cleaned and re-assembled.

APPLICATIONS:

- electrical and electronic components
- springs
- packaged goods
- paper and plastic strips
- textiles
- chip removal
- wood chips

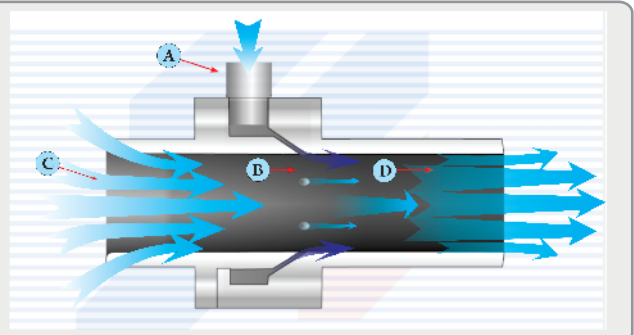


XSPC FEATURES

- Made of hard anodized aluminum with no moving parts.
- Standard Sizes to fit standard hose diameter for easy clamping. Special sizes can be manufactured if required.
- Using a pressure regulator will control the flow of material.
- Instant on/off with no moving parts, no electricity or explosion hazard.
- Can be taken apart and cleaned easily.
- Special versions and materials can be made.

XSPC – HOW IT WORKS:

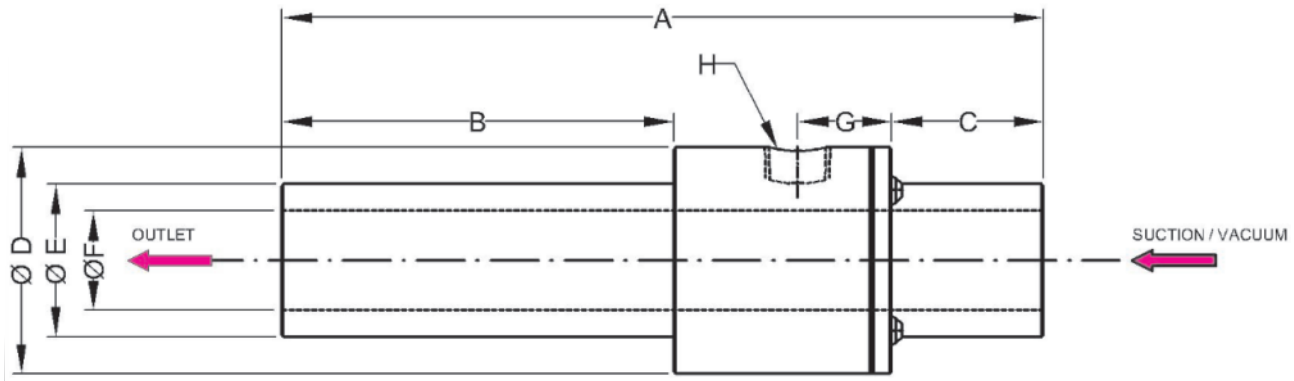
The X-stream™ Supreme Pneumatic Conveyor (XSPC) – Compressed air enters at point (A) into an annular chamber and injected into the throat of the unit from the inside wall of the unit through directed nozzles (B). The inside is “straight through” design to prevent any clogging of conveyed material. These jets of compressed air create a vacuum at the inlet (C) which draws in material and accelerates it through the unit and out at (D) conveying the material over a great vertical or horizontal distance.



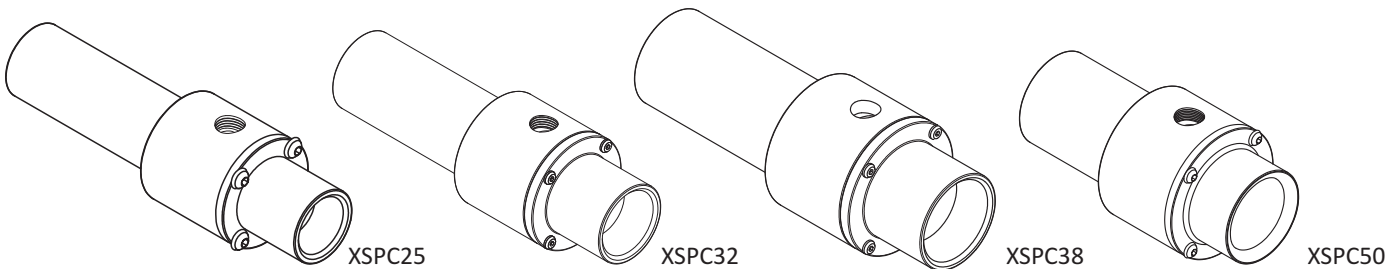
X-STREAM™ SUPREME PNEUMATIC AIR OPERATED CONVEYOR(XSPC) PERFORMANCE

Model	Inside Diameter	Outside Diameter	Ai Consumption at 80 PSIG	VACUUM
XSPC25	1” (25 mm)	1.5” (38.1 mm)	46 SCFM (1302 SLPM)	84 inchesH ₂ O (21 KPA)
XSPC32	1.25” (32 mm)	1.75” (44 mm)	47 SCFM (1331 SLPM)	61 inchesH ₂ O (16 KPA)
XSPC38	1.5” (38 mm)	2” (50 mm)	48 SCFM (1359 SLPM)	34 inchesH ₂ O (8.5 KPA)
XSPC50	2.0” (50 mm)	2.5” (64 mm)	50 SCFM (1416 SLPM)	21 inchesH ₂ O (5.3 KPA)



XSPC DIMENSION TABLE


PART NUMBER	A IN (MM)	B IN (MM)	C IN (MM)	D IN (MM)	E IN (MM)	F IN (MM)	G IN (MM)	H THREAD
XSPC25	7.5" (196.60)	3.86" (98.10)	1.50" (38.10)	2.22" (56.50)	1.50" (38.10)	0.98" (25.0)	0.93" (23.50)	3/8" NPT
XSPC32	7.5" (196.60)	3.8" (96.60)	1.50" (38.10)	2.50" (63.30)	1.70" (44.00)	1.25" (31.50)	0.93" (23.50)	3/8" NPT
XSPC38	7.5" (196.60)	3.8" (96.60)	1.50" (38.10)	2.80" (69.50)	1.90" (50.00)	1.50" (38.10)	0.93" (23.50)	3/8" NPT
XSPC50	7.2" (182.60)	3.25" (82.50)	1.40" (35.60)	3.54" (90.00)	2.52" (64.00)	1.97" (50.00)	1.14" (29.00)	3/8" NPT


X-STREAM™ SUPREME PNEUMATIC AIR OPERATED CONVEYORS(XSPC's)

PART NO.	DESCRIPTION
XSPC25	Powerful, Non-Clogging Pneumatic Conveyor Only
XSPC32	Powerful, Non-Clogging Pneumatic Conveyor Only
XSPC25	Powerful, Non-Clogging Pneumatic Conveyor Only
XSPC32	Powerful, Non-Clogging Pneumatic Conveyor Only
XSPC25 -1	Powerful, Non-Clogging Pneumatic Conveyor Only plus Filter with Auto Drain
XSPC32 -1	Powerful, Non-Clogging Pneumatic Conveyor Only plus Filter with Auto Drain
XSPC25 -1	Powerful, Non-Clogging Pneumatic Conveyor Only plus Filter with Auto Drain
XSPC32 -1	Powerful, Non-Clogging Pneumatic Conveyor Only plus Filter with Auto Drain
XSPC25 -2	Powerful, Non-Clogging Pneumatic Conveyor Only + Filter with Auto Drain + Regulator with Gage
XSPC32 -2	Powerful, Non-Clogging Pneumatic Conveyor Only + Filter with Auto Drain + Regulator with Gage
XSPC25 -2	Powerful, Non-Clogging Pneumatic Conveyor Only + Filter with Auto Drain + Regulator with Gage
XSPC32 -2	Powerful, Non-Clogging Pneumatic Conveyor Only + Filter with Auto Drain + Regulator with Gage

