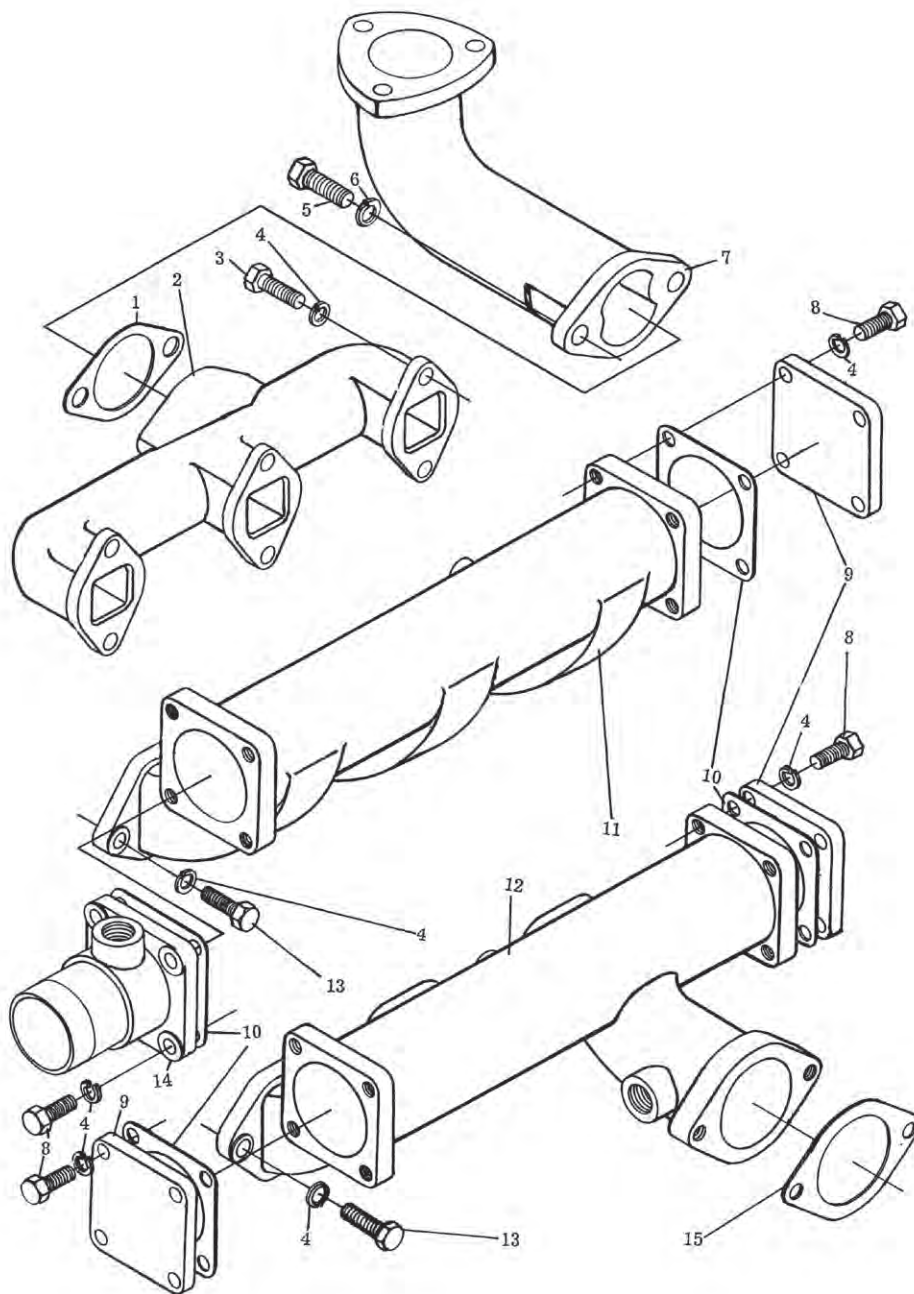


JIANGDONG TY395 ENGINE PARTS MANUAL

Fitted to: DFB 354

Contents

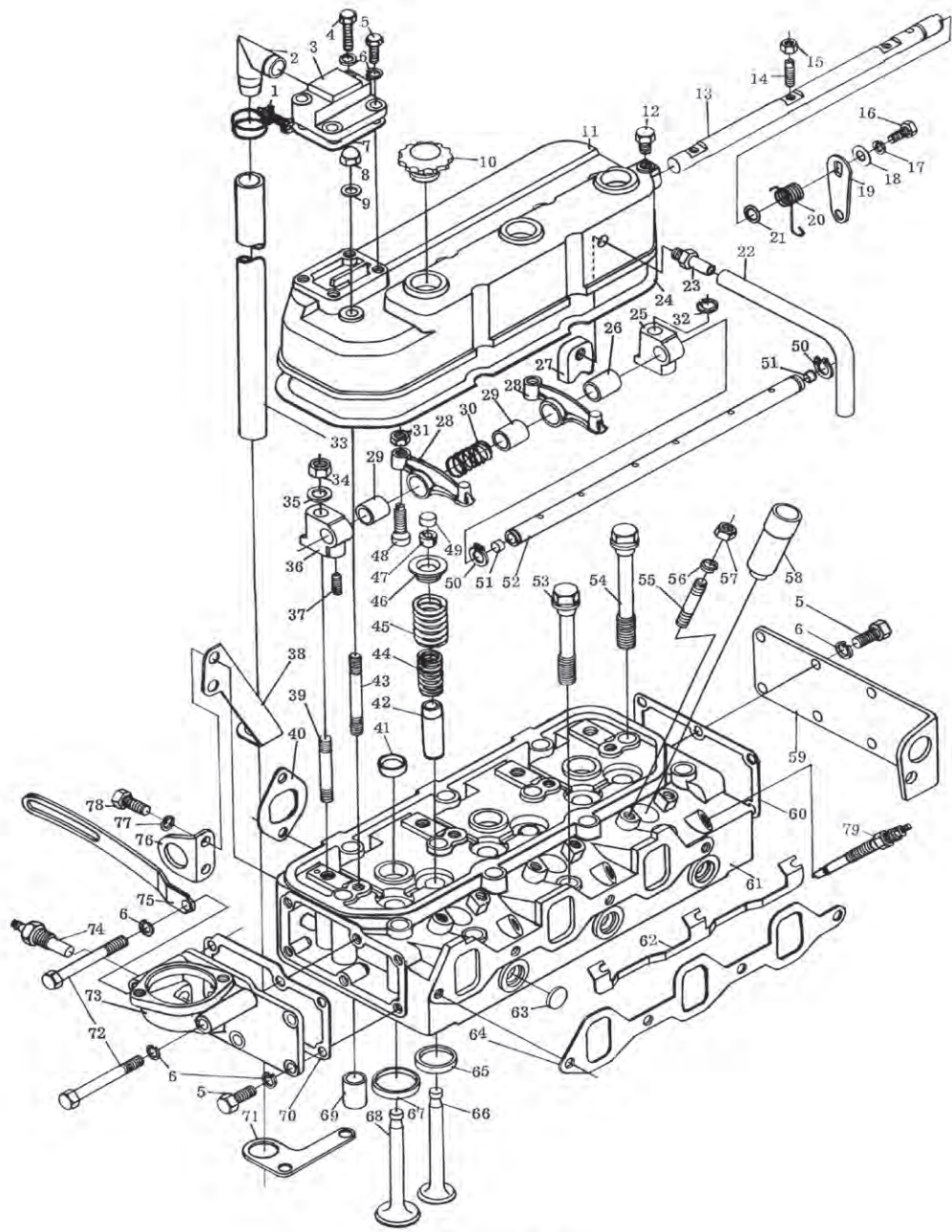
1. Intake And Exhaust Pipe Assembly.....	4
2. Cylinder Head Assembly.....	6
3. Cylinder Block Assembly.....	9
4. Camshaft Assembly.....	12
5. Crankshaft Flywheel Assembly.....	14
6. Piston Connecting Rod Assembly.....	16
7. Fuel Supply System.....	18
8. Cooling System.....	20
9. Lubrication System.....	22
10. TY395B special directory lists.....	24
11. TY3100B special directory lists.....	24



图一 进排气歧管总成
Fig1 Exhaust Pipe Assembly

Intake and Exhaust Assembly (Fig.1)

序号Ser NO.	图号Parts NO.	名称Name of parts	数量Qty
1	TY295I.10.2-3	排气弯管垫片Exhaust pipe gasket	1
2	TY395I.10-2	排气支管Exhaust connecting pipe	1
3	GB5783-86	螺栓M8×25 Stud bolt M8×25	6
4	GB93-87	垫圈8 Washer 8	12
5	GB5783-86	螺栓M10×22 Stud bolt M10×22	2
6	GB93-87	垫圈10 Washer10	2
7	TY395I.10-2-4	排气弯管Exhaust pipe	1
8	GB5783-86	螺栓M8×20 Stud bolt M8×20	4
9	TY395I.10-4	进气管法兰Intake pipe flange	2
10	TY395I.10-5	进气管法兰垫片Intake pipe flange gasket	2
11	TY395IT.10.1-1NBa	进气管Intake pipe(30Ps)	1
12	TY395IT.10-1NBa	进气管Intake pipe(35Ps)	1
13	GB5783-86	螺栓M8×22 Stud bolt M8×22	6
14	TY395I.10.1-2NBa	进气接管Intake connecting pipe	1
15		进气管弯头垫片Intake pipe elbow gasket	1

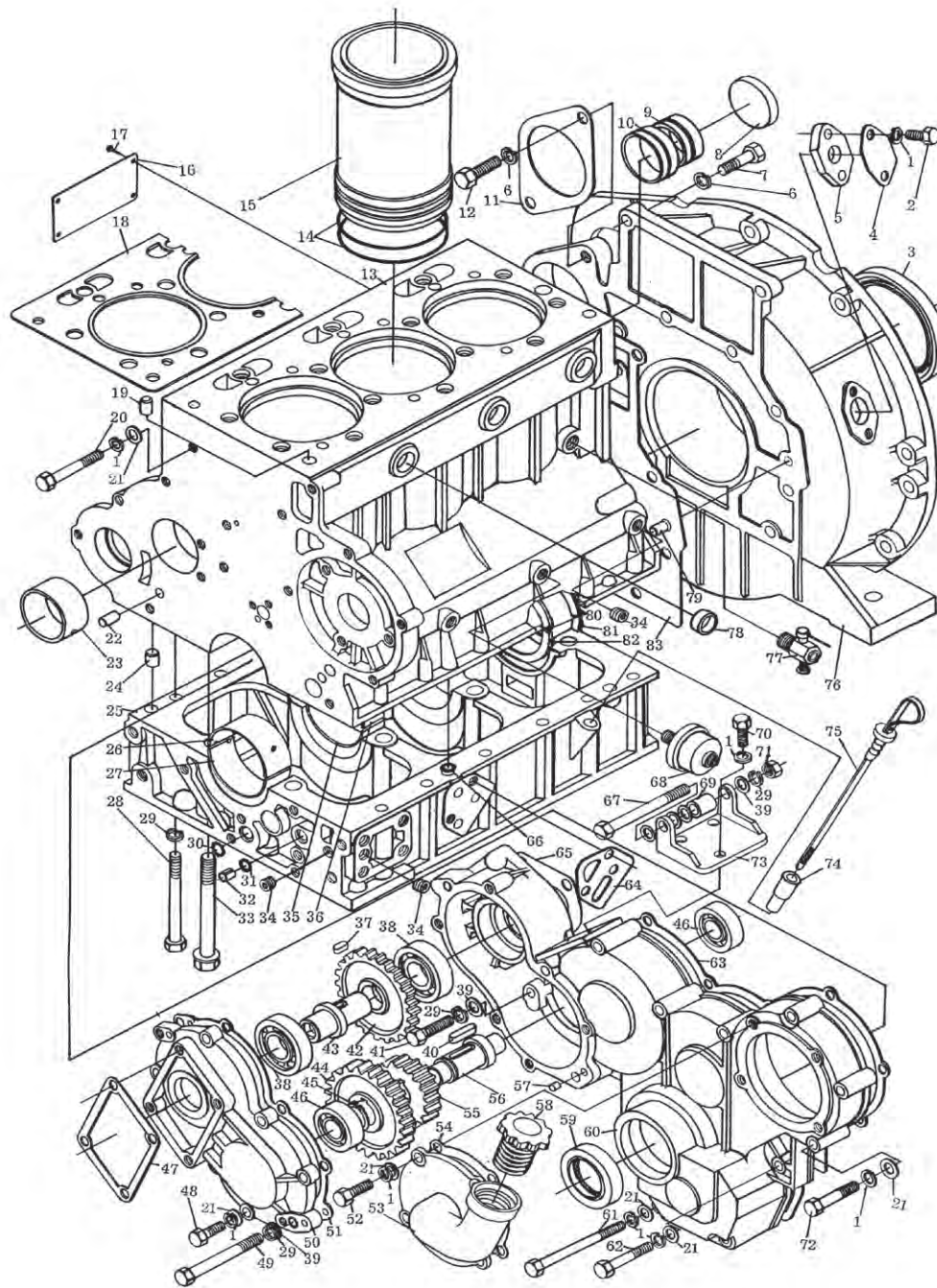


图二 气缸盖总成
Fig2 Cylinder Head Assembly Intake

Cylinder head Assembly (Fig.2)

序号Ser NO.	图号Parts NO.	名称Name of parts	数量Qty
1		卡箍 Hoop assembly	1
2	TY395IT.1.2-10NB	通气管接头Ventilate pipe fittings	1
3	TY395IT.1.2-12NB	通气室盖板Ventilate room blind fiangs	1
4	GB5783-86	螺栓M8×40 Bolt M8×40	2
5	GB5783-86	螺栓M8×20 Bolt M8×20	2
6	GB859-87	垫圈8 Washer8	24
7	TY395IT.1.2-11NB	通气塞盖板垫片Ventilate the board gasket of plug livl	1
8	GB923-88	盖形螺母M8 Nut M8	4
9	GB848-85	垫圈8 Washer8	4
10	TY395.1.2-4	调整口盖Adjusting hole cover	3
11	TY395.1.2-1	气缸盖罩Cylinder head bonnet	1
12	TY395.1.2-6	定位螺钉Locating screw	1
13	TY395.1.2-2	减压轴Decompression shaft	1
14	TY395.1.2-3	减压螺钉Reduce pressure screw	3
15	GB6170-86	螺母M6 Nut M6	3
16	GB5783-86	螺栓M6×16 Bolt M6×16	1
17	GB859-87	垫圈6 Washer6	1
18	TY395.1.2-8	垫圈Washer	1
19	TY395.1.2-2	减压手柄Decompression handle	1
20	TY295I.1.3-4	扭力弹簧The spring of twisting force	1
21	GB3452.1-2	O型圈11.8×2.65 Type O rubber seal ring 11.8×2.65	1
22	SG79-84	通气管8×0.6×190	1
23	TY295I.1-25	导气管Wind pipe	1
24	TY395.1-1	气缸盖罩垫片Cylinder head bonnet gasket	1
25	TY295.1-10	摇臂轴支座I Rockshaft carrier II	3
26	TY295.1-13	摇臂轴套I Rockershaft bush I	2
27	TY295I.1.4a	呼吸器总成Respirator becomes always	1
28	TY295.1-23	气门摇臂Valve rocker arm	6
29	S195-03005	摇臂衬套Rocker arm bush	6
30	TY295.1-14	摇臂轴弹簧Rockshaft spring	3
31	GB6170-86	螺母M8 Nut M8	4
32	TY495.1-24	摇臂轴支座垫圈 Rockshaft carrier washer	3
33	TY395IT.1.2-13NB	胶管Stick pipe	1
34	GB6170-86	螺母M12 Nut M12	4
35	GB859-87	垫圈12 Washer 12	3
36	TY295.1-11	摇臂轴支座II Rockshaft carrier II	1
37	TY295.1-22	锥端紧定螺钉Screw	1
38	TY395IT.1.2-14NB	胶管定位板Stick pipe location board	1
39	TY495.1-12	摇臂轴支座固定螺钉The carrier of rockshaft fires screw	4
40	TY295.1-20	排气管垫片Exhaust pipe gasket	3

41	TY295.1.1-5	水堵 ϕ 28 Water plug ϕ 28	3
42	S195-03011	气门导管 Valve guide stem	6
43	GB899-88	螺栓 AM8 \times 80 Bolt AM8 \times 80	4
44	TY295.1-3	气门小弹簧 Valve spring(inner)	6
45	TY295.1-4	气门大弹簧 Valve spring(outer)	6
46	S195-03008	气门弹簧上座 Spring seat cover	6
47	S195-03007	气门锁夹 Valve collects	12
48	S195-03006-1	气门间隙调整螺钉 Valve clearance adjusting screw	6
49	TY495.1-23	气门杆护帽 Valve cap	6
50	GB894.1-86	轴用挡圈 ϕ 16 Check ring ϕ 16	2
51	TY295.1.2-2	摇臂轴堵塞 Rockshaft plug	2
52	TY395.1.3.2-1	摇臂轴 Rockshaft	1
53	TY395I.1-5	气缸盖螺栓 I Cylinder head bolt I	3
54	TY295.1-6	气缸盖螺栓 II Cylinder head bolt II	11
55	GB899-88	螺栓 AM8 \times 50 Bolt AM8 \times 50	6
56	GB859-87	垫圈 8 Washer 8	6
57	GB6170-86	螺母 M8 Nut M8	6
58	TY395I.1.1-6	喷油器镶套 Injection bush	3
59	TY295.1-8	后盖板 Rear cover plate	1
60	TY295.1-7	后盖板垫片 Rear cover plate gasket	1
61	TY395I.1.1-1	气缸盖 Cylinder head	1
62	TY395I.1-3	电热塞接线板 The wiring board	1
63	TY295.1.1-4	堵塞 Stopper	3
64	TY295.1-9	进气管垫片 Intake pipe gasket	1
65	TY295.1.1-3	排气门座 Exhaust valve seat	3
66	TY295.1-2	排气门 Exhaust valve	3
67	TY295.1.1-2	进气门座 Intake valve seat	3
68	TY295.1-1	进气门 Intake valve	3
69	TY495.2.1-8	弹性套 Spring bush	3
70	TY295.1-19	前盖板垫片 Front cover plate gasket	1
71	TY395IT.1.2-15NB	下定位板 Lower orientation board	1
72	GB5782-86	螺栓 M8 \times 80 Bolt M8 \times 80	2
73	TY395I.2-6	前盖板 Front cover plate	1
74	NJ-12型	水温感应塞 Water temperature induction plug	1
75	TY295.2-20a	发电机调节支架 Belt tightening pulley bracket	1
76	TY295.1-21	吊耳 Hoisting ring	1
77	GB859-87	垫圈 10 Washer 10	2
78	GB5783-86	螺栓 M10 \times 20 Bolt M10 \times 20	2
79	PF68S19	喷油器总成 Injection	3



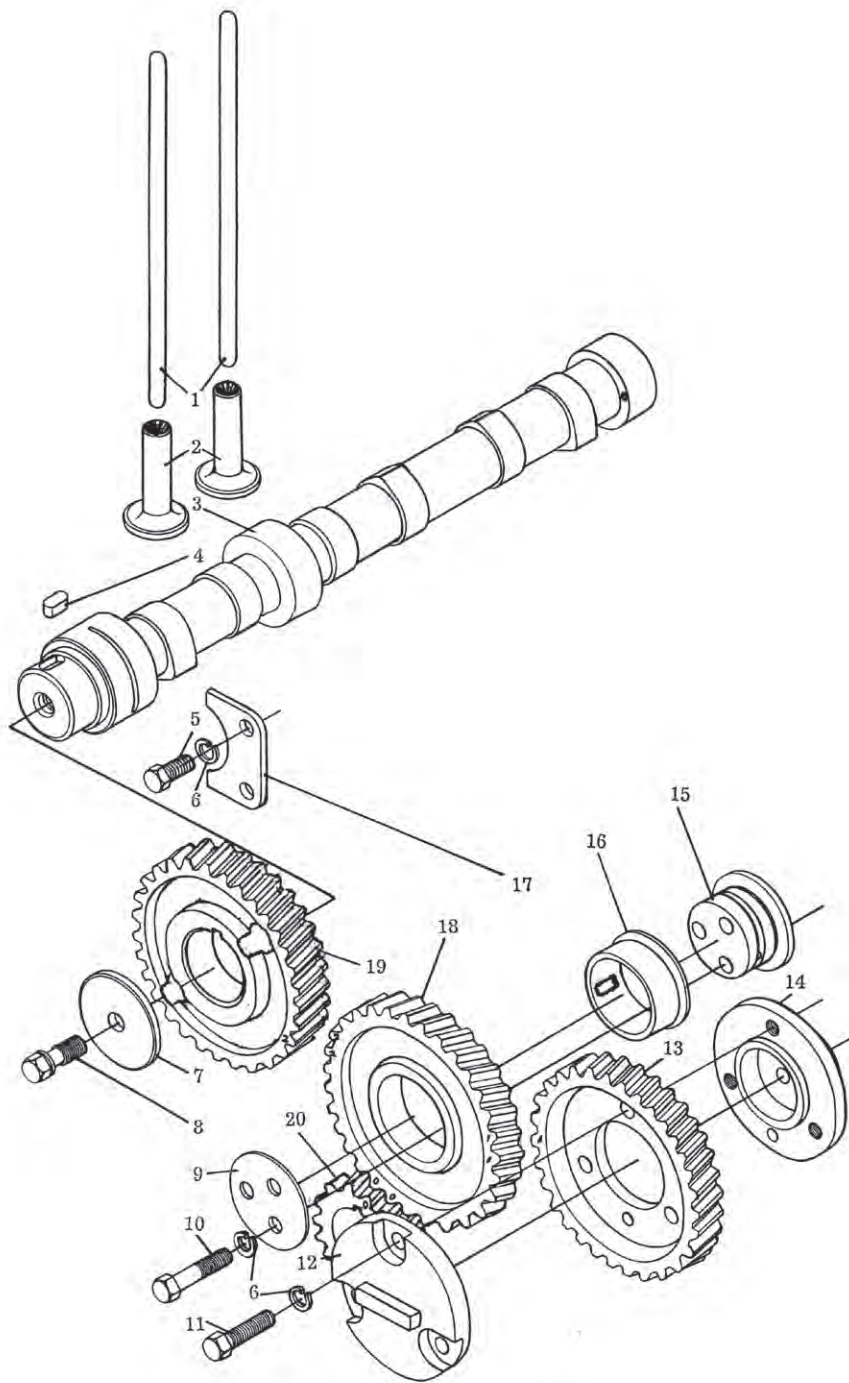
图三 气缸体总成

Fig3 Cylinder Block Assembly

Cylinder block Assembly (Fig.3)

序号Ser NO.	图号Parts NO.	名称Name of parts	数量Qty
1	GB859-87	垫圈8 Washer8	32
2	GB5783-86	螺栓M8×16 Bolt M8×16	2
3	GB2600-80	骨架油封PG100×130×12 Oil seal PG100×130×12	1
4	TY395I.2-17	观察窗口盖板Cover of observation hole	1
5	TY395I.2-18	观察窗口盖板垫片Gasket of observation hole	1
6	GB859-87	垫圈12 Washer12	12
7	GB5783-86	螺栓M12×35 Bolt M12×35	10
8	TY295.2.1-11	堵片Plug	1
9	TY295.2.1-3	凸轮轴后衬套Rear camshaft bush	1
10	TY295.2.1-2	凸轮轴中间衬套Inside camshaft bush	1
11	TY295.2-23	起动电机垫片Start generator gasket	1
12	GB5783-86	螺栓M12×35 Bolt M12×35	2
13	TY395.2.1-1	气缸体Cylinder block	1
14	TY295.2-8	水封圈Water sealing ring	6
15	TY395I.2-7	气缸套Cylinder sleeve	3
16	TY395I.2-29	铭牌Date plate	1
17	GB867-86	铆钉2×6	4
18	TY395.2-6	气缸垫Cylinder head gasket	1
19	TY295.2.1-10	定位销Pin	2
20	GB5782-86	螺栓M10×110 Bolt M10×110	
21	GB859-87	垫圈8 Washer8	
22	TY295.2.1-5	定位销Pin	2
23	TY295.2.1-2	凸轮轴前衬套Front camshaft bush	1
24	TY395IT.2.1-10NB	定位销Pin	1
25	TY395.2.1-3	整体主轴承座Main bearing cap	1
26	TY295.2-4	前后上主轴瓦Front and rear main bearing halfshelf(upper)	2
27	TY295.2-5	前后下主轴瓦Front and rear main bearing halfshelf(lower)	2
28	GB5782-86	螺栓M10×110 Bolt M10×110	8
29	GB859-87	垫圈10 Washer10	
30	GB3452.1-82	“O”型密封圈11.8×1.8” O” Seal ring11.8×1.8	1
31	GB3452.1-82	“O”型密封圈15×1.8” O” Seal ring15×1.8	1
32	TY495.2.1-8	弹性套Elastic sleeve	3
33	TY295.2.1-8	主轴承螺钉Main bearing cap	8
34	TY495.2.1-7	油道螺塞Oil gallery plug	6
35	TY295.2-6	中间上主轴瓦Middle main bearing halfshaft(upper)	4
36	TY295.2-7	中间下主轴瓦Middle main bearing halfshaft(lower)	4
37	GB1096-79	键10×16	1
38	GB276-82	滚动轴承203 Ball bearing 203	1
39	GB93-87	垫圈10 Washer10	
40	GB1096-79	键10×34	1
41	GB5782-86	螺栓M10×110 Bolt M10×110	
42	TY295IT.16-4a	液压泵传动齿轮II Hydraulic pump gear II	1
43	TY295.2-11	液压泵传动轴Transmission shaft of lift pump	1
44	TY295IT.2-37b	液压泵传动齿轮I Hydraulic pump gear I	1
45	GB894.1-86	挡圈30 Circlip30	1

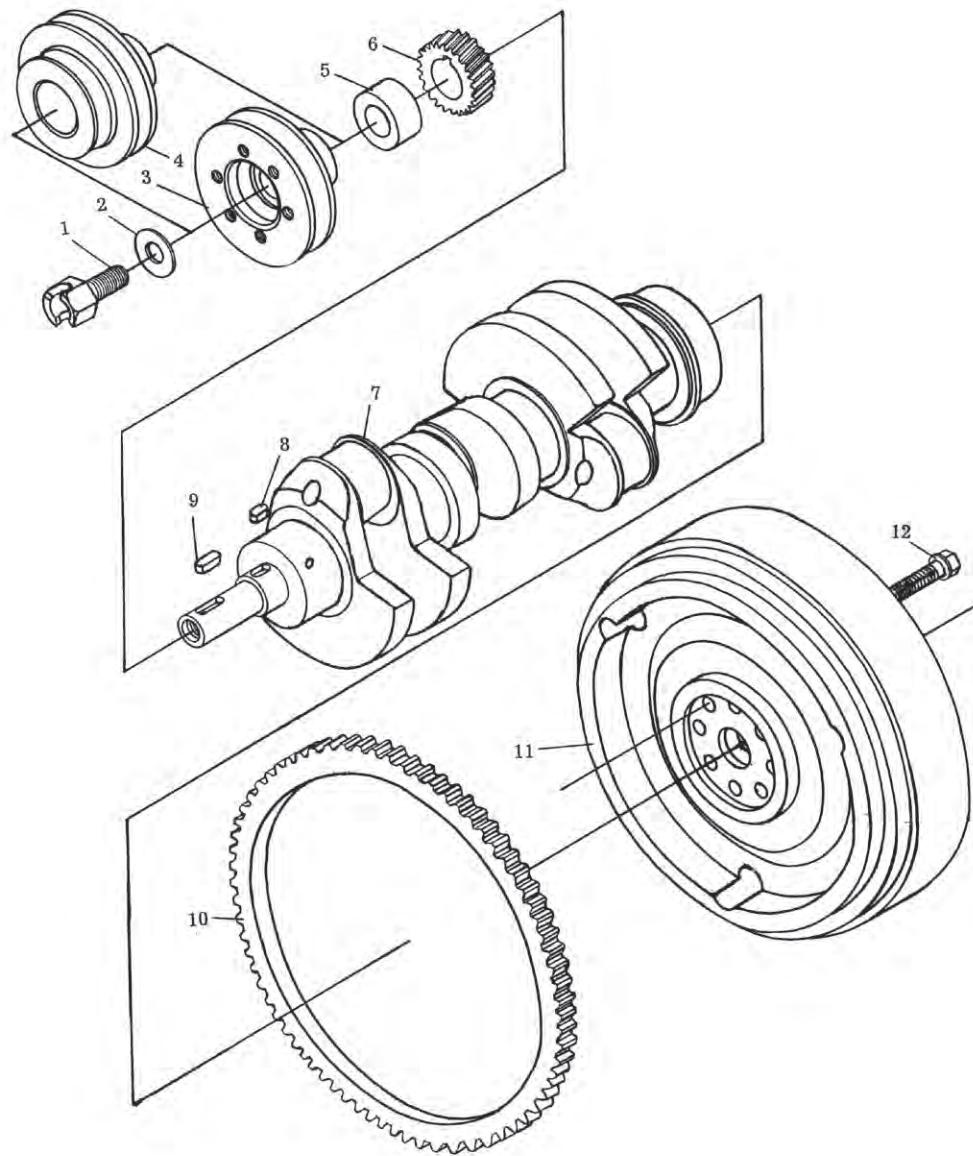
46	GB276-82	滚动轴承106 Ball bearing 106	1
47	TY295.2-13	液压泵盖板垫 Gasket of lift pump	1
48	GB5782-86	螺栓M8×30 Bolt M8×30	12
49	GB5782-86	螺栓M10×95 Bolt M10×95	2
50	TY295.2-12	液压泵盖板Cover of lift pump	1
51	TY295.2-13	液压泵盖板垫片Gasket of lift pump	1
52	GB5782-86	螺栓M8×30 Bolt M10×30	2
53	TY395.2-5	气泵孔盖板Cover of air pump' s hole	1
54	TY395.2-4	气泵孔盖板垫片Gasket of air pump' s hole	1
55	TY295IT.16-2a	传动轴齿轮 Transfer axle gear	1
56	TY295IT.2-32a	传动轴Transfer axle	1
57	GB119-86	定位销5×10 Pin5×10	2
58	TY295IT.2.3	加油口盖组合件Oil filler assembly	1
59	JB2600-80	骨架油封PG45×65×12 Oil seal PG45×65×12	1
60	TY395.2-3	齿轮室盖Gear case cover	1
61	GB5782-86	螺栓M8×75 Bolt M8×75	2
62	GB5783-86	螺栓M8×30 Bolt M8×30	2
63	TY295.2-9	齿轮室盖垫片Gear case gasket	1
64	TY295.2-22	机油滤清器垫片Oil clarifier gasket	1
65	TY295IT.16-12a	液压泵垫片hydraulic pressure pump gasket	1
66	GB3452.1-2	O型圈13.2×2.65 Type O rubber seal ring 13.2×2.65	1
67	TY295IT.2-35b	发电机支架螺栓Alternator support body	1
68	CY-412	机油压力感应塞Oil pressure sensor	1
69	TY295I.2-27	发电机用衬管Electrical generator' s pise	1
70	GB5782-86	螺栓M10×60 Bolt M10×60	3
71	GB859-87	垫圈10 Washer10	3
72	GB5782-86	螺栓M8×55 Bolt M8×55	6
73	TY295.2-19	发电机支架Alternator support body	1
74	TY295I.2.2.2	机油标尺套管结合部Oil pressure sensor	1
75	TY295I.2.2.1	机油标尺结合件Oil level dipstick	1
76	TY295.2-1	飞轮壳Flywheel box	1
77	S195-01300A	放水开关总成Water-draining cock	1
78	TY295.2.1-4	油堵Oil stopper	7
79	TY295.2.1-10	定位销Pin10	2
80	TY295.2-3	上止推片Upper thrust piece of crankshaft	2
81	TY495.2-26	下止推片(外)Lower thrust piece of crankshaft(outer)	1
82	TY495.2-25	下止推片(内)Lower thrust piece of crankshaft(inner)	1
83	TY395.2-2	飞轮壳垫片Flywheel box gasket	1



图四 配气机构总成
Fig4 Camshaft Assembly

Cainshaft Assembly (Fig.4)

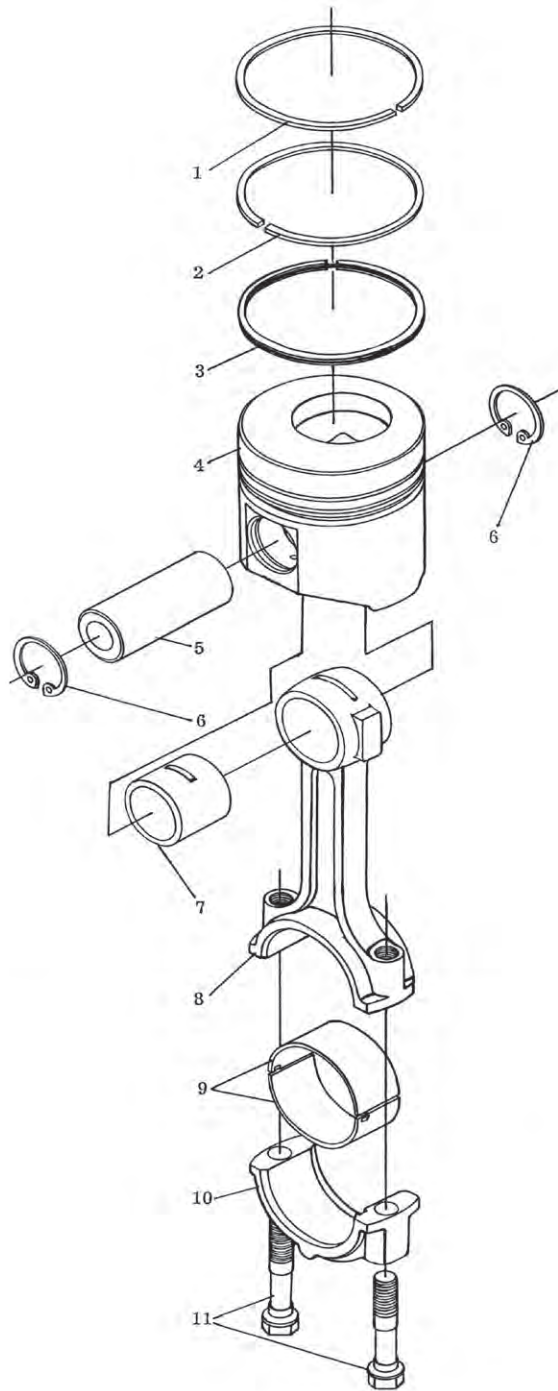
序号Ser NO.	图号Parts NO.	名称Name of parts	数量Qty
1	TY295.3-3	气门推杆Valve push rod	6
2	TY295.3-2	气门挺柱Valve tappet	6
3	TY395I.3-1	凸轮轴Camshaft	1
4	S195-02003	平键Flat key	1
5	GB5783-86	螺栓M8×16 Bolt M8×16	2
6	GB859-87	垫圈8 Washer 8	8
7	TY295.3-13	凸轮轴齿轮压板Camshaft gear holddown	1
8	TY295.3-14	凸轮轴齿轮紧定螺钉Screw	3
9	TY295.3-9	中间齿轮压板Idle gear holddown	1
10	GB5782-86	螺栓M8×40 Bolt M8×40	3
11	GB5783-86	螺栓M8×25 Bolt M8×25	3
12	TY2100II.3-10	驱动盘drive tray	1
13	TY295.3-10	喷油泵齿轮Fuel injection pump gear	1
14	TY295.3-11	喷油泵传动法兰Flange joint of fuel pump	1
15	TY295.3-7	中间齿轮轴Idle gear shaft	1
16	TY295.3-8	中间齿轮轴衬套Idle gear bush	1
17	TY295.3-5	凸轮轴止推片Thrust piece	1
18	TY295.3-6	中间齿轮Idle gear	1
19	TY295.3-4	凸轮轴齿轮Camshaft gear	1



图五 曲轴飞轮总成
Fig5 Crankshaft Flywheel Assembly

Grandshaft-flywheel Assembly (Fig.5)

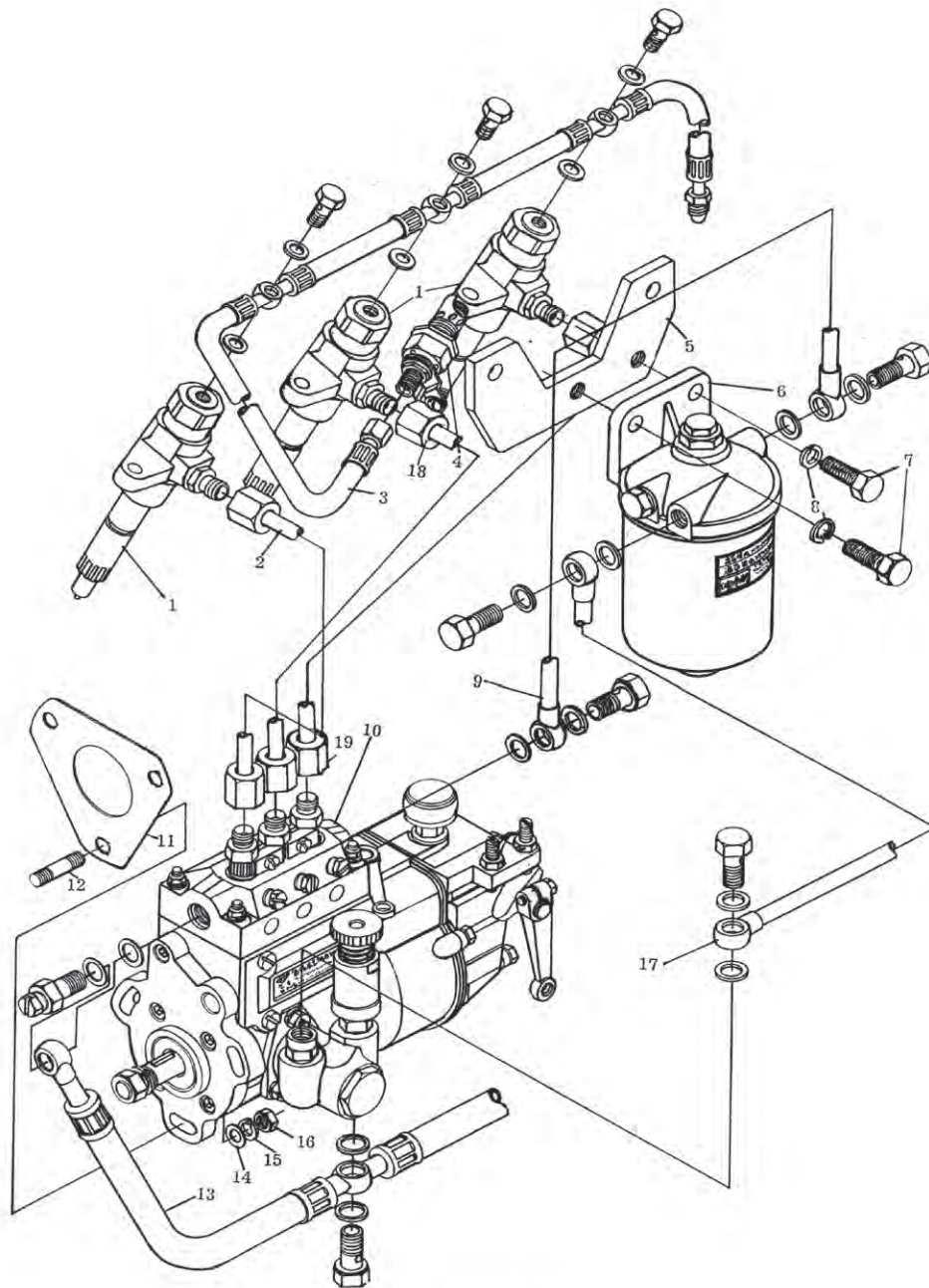
序号Ser NO.	图号Parts NO.	名称Name of parts	数量Qty
1	TY295.4.2-7	起动爪Starting claw	1
2	TY295.4.2-8	起动爪垫圈Starting claw washer	1
3	TY395I.4.2-9	皮带轮Belt pulley	1
4	TY295IT.4.2-9a	皮带轮Belt pulley	1
5	TY295.4.2-6	止动套Bush	1
6	TY295.4.2-5	曲轴齿轮Crankshaft	1
7	TY395I.4.2-4	曲轴Crankshaft	1
8	S195-05008	曲轴平键Key	1
9	GB1567-79	键A8×5×28 Key A8×5×28	1
10	TY295.4.2-2	齿圈Flywheel gear ring	1
11	TY395I.4.2-1	飞轮Flywheel	1
12	TY295.4.2-3	飞轮螺栓Flywheel bolt	6



图六 活塞连杆总成
Fig6 Piston Connecting Rod Assembly

Piston connecting Rod Assembly (Fig.6)

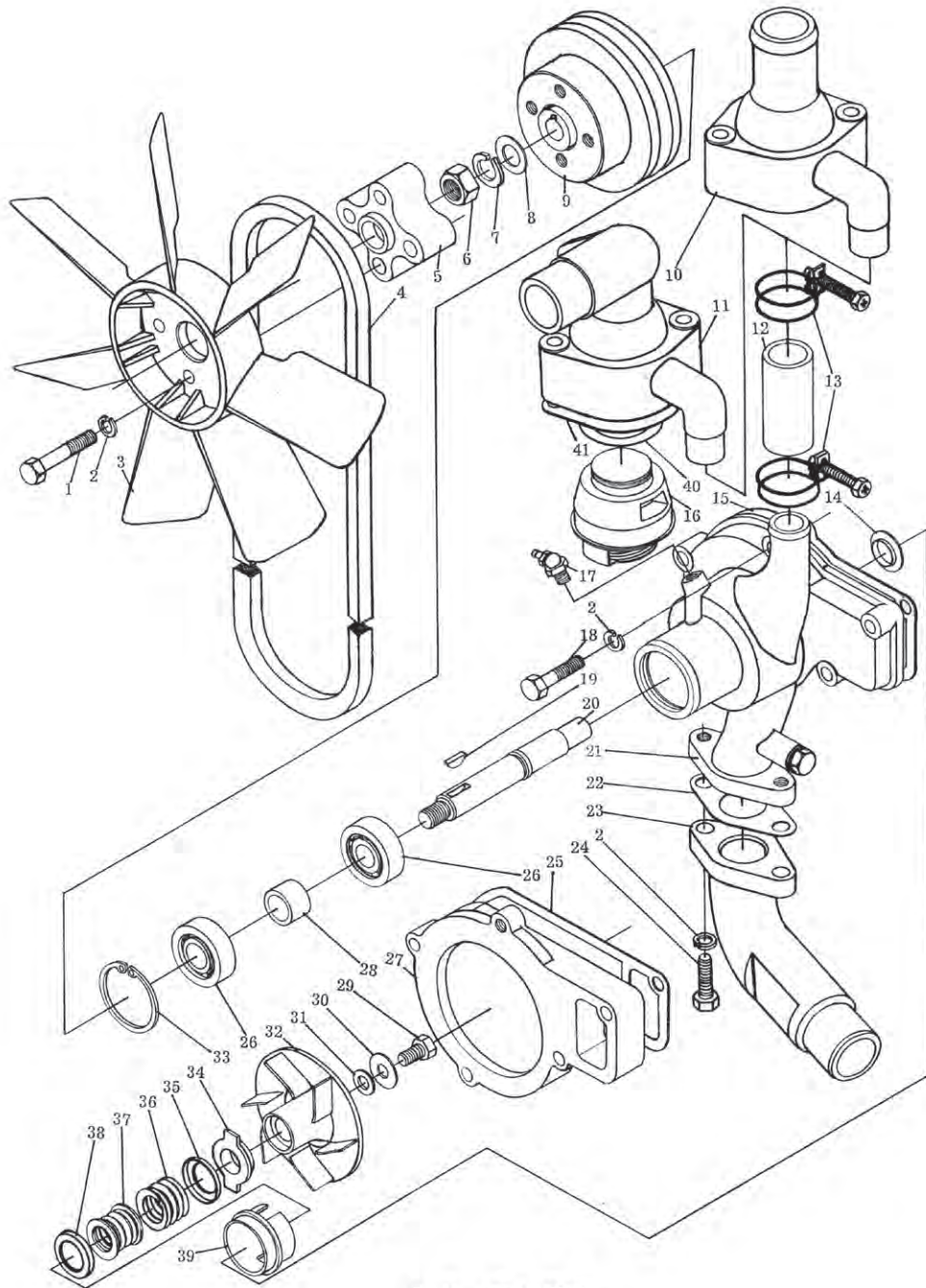
序号Ser NO.	图号Parts NO.	名称Name of parts	数量Qty
1	TY395L4.1-1	第一道气环 Compression ring (1)	3
2	TY395L4.1-2	第二道气环 Compression ring (2)	3
3	TY395L4.1.1	螺旋撑簧油环 Oil scraper ring	3
4	TY395L4.1-4	活塞 Piston	3
5	TY295.4.1-3	活塞销Piston pin	3
6	GB893-76	挡圈37 circlip 37	6
7	TY295.4.1.2-2	连杆小头衬套 Connecting small rocl bushing	3
8	TY295.4.1.2-1	连杆体 Connecting rod assembly	3
9	TY295.4.1-6	连杆轴瓦 Connecting rod bearing shell	3
10	TY295.4.1.2-3	连杆盖 Connecting rod cap	3
11	TY295.4.1.2-4	连杆螺栓 Connecting rod bolt	6



图七 燃油系统
Fig7 Fuel Supply System

Fuel System Assembly (Fig.7)

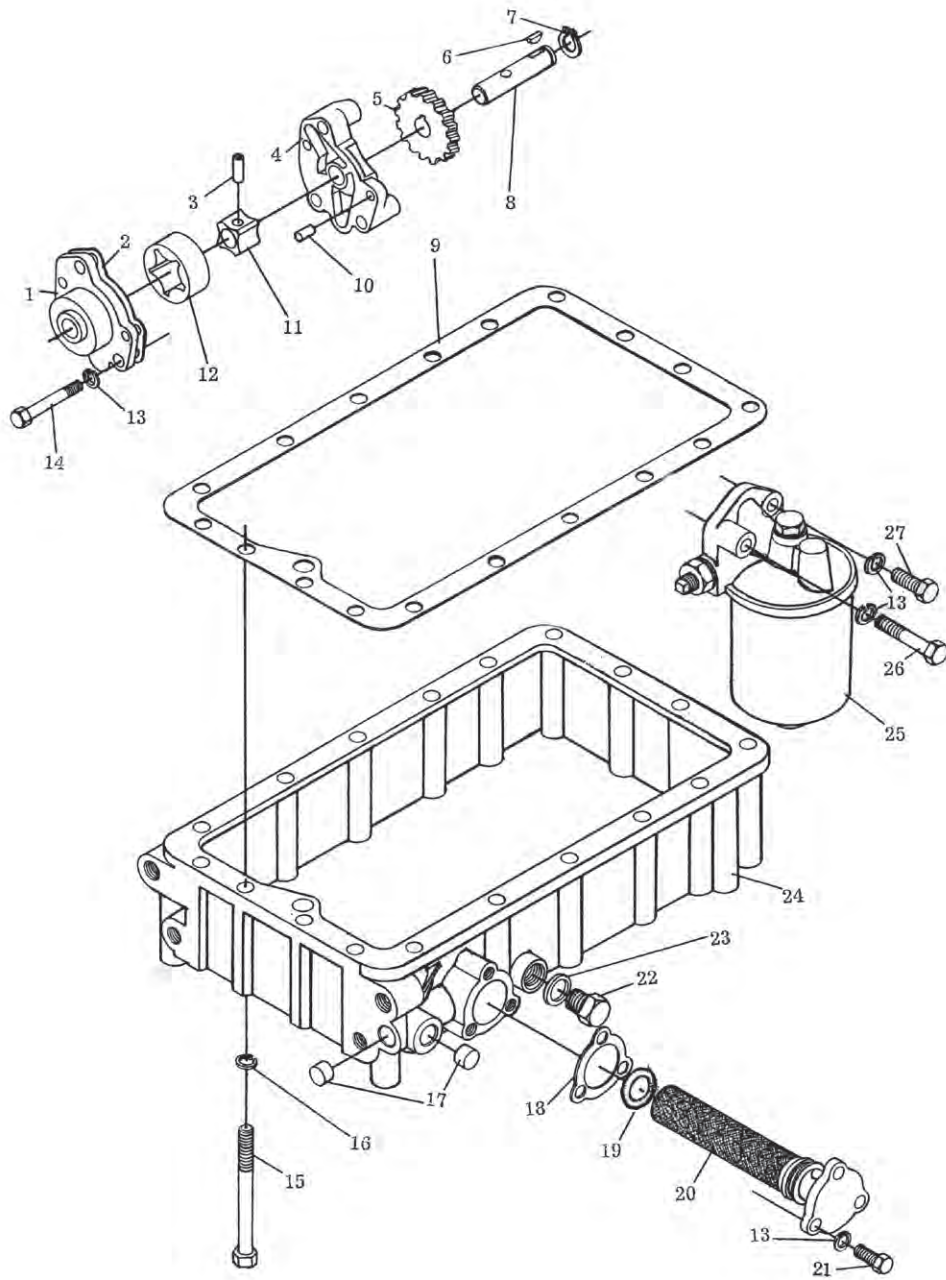
序号Ser NO.	图号Parts NO.	名称Name of parts	数量Qty
1	PF68S19	喷油器总成 Injection assy	3
2	TY395.15.1	一缸高压油管总成 High pressure ipe of cylinder I	1
3	TY395.15.7	喷油器回油管总成 Injector fuel return pipe	1
4		预热塞 Hest plug	1
5	TY395I.10-3NB	柴滤支架 Cleamer clamp	1
6	C0708A	柴油滤清器 Frel filter assy	1
7	GB5782-86	螺栓 M10×25 Bolt M10×25	1
8	GB859-87	垫圈 10 Washer 10	1
9	TY395.15.6	滤清器喷油泵回油管总成	1
10		喷油泵总成 Fuel injection pump	1
11	TY395.2-7	喷油泵垫片 Fuel injection pump gasket	1
12	GB899-88	双头螺栓 AM8×25 Stud Bolt AM8×25	3
13	TY395.14.4	Fuel pipe assy between fuel-tank transfer-pump and injection-pump	1
14	GB848-87	垫圈 8 Washer 8	3
15	GB859-87	垫圈 8 Washer 8	3
16	GB6170-86	螺母 M8 Nut M8	3
17	TY395.15.5	输油泵滤清器回油管总成	1
18	TY395.15.3	二缸高压油管总成 High pressure ipe of cylinder II	1
19	TY395.15.4	三缸高压油管总成 High pressure ipe of cylinder III	1
20	TY395I.15.1-1	高压油管 High pressure ipe of cylinder	3
21	TY395I.15.6-3	回油胶管 150 Return oil gule cannulation	2
22	TY395I.15.6-5	回油胶管 320 Return oil gule cannulation	1
23	TY395I.15.6-6	回油胶管 180 Return oil gule cannulation	1



图八 冷却系统
Fig8 Cooling System

Cooling System Assembly (Fig.8)

序号Ser NO.	图号Parts NO.	名称Name of parts	数量Qty
1	GB5782-86	螺栓M8×45 Bolt M8×45	4
2	GB859-87	平垫圈8 Flat Washer8	7
3	TY395I.12-15	风扇Radiater Fan	1
4	HG4-401-74	风扇带13×8×1000 Fan Beet 13×8×1000	1
5	TY395I.12-18	风扇垫块Radiater Fan	1
6	GB6173-86	螺母M12 Nut M12	1
7	GB859-87	弹簧垫圈12 Spring Washer	1
8	GB97.1-85	平垫圈12 Flat Washer	1
9	TY295.12-5	皮带轮Pulley	1
10	TY295.13-1	节温器上盖 Upper cap	1
11	TY295IT.13-1	节温器上盖 Upper cap	1
12	TY295.13-7	小水胶管Small water tabe	1
13	TY295.13.3	卡箍总成φ33 Hoop assembly φ33	2
14	295-14006	甩水圈Water thrower	1
15	TY295.12-13	水泵垫片Water pump washer	1
16	TY295I.13.5	节温器总成 Assembly	1
17	GB1152-76	油杯Oil cup	1
18	GB5782-86	螺栓M8×35 Bolt M8×35	1
19	GB1099-79	键5×16 Key 5×16	1
20	TY295.12-4	水泵轴Water pump shaft	1
21	TY295.12-1	水泵体Water pump assembly	1
22	TY495.12-7	下水管垫片Lower water tabe gasket	1
23	TY295.13-4	下水管Lower water tabe	1
24	GB5783-86	螺栓M8×25 Bolt M8×25	2
25	TY295.12-14	水泵座垫片Water pump seat washer	1
26	GB278-76	滚动轴承60203 Rolling bearing 60203	2
27	TY295.12-21	水泵座Water pump seat	1
28	TY295.12-12	轴承隔套Bearing sleeve	1
29	GB5783-86	螺栓M8×14 Bolt M8×14	1
30	295-14005	锁片Locking ring	1
31	GB97.1-85	垫片8 Washer 8	1
32	TY295.12-3	水泵叶轮Washer pump wheel	1
33	GB893.1-86	挡圈40 Circlip40	1
34	295-14100b	水封部件II Water seal assembly II	1
35	TY295.12-9	水封弹簧座Water seal spring seat	2
36	TY295.12-8	水封弹簧 Water seal spring	1
37	TY295.12-7	橡胶水封Rubber water seal	1
38	TY295.12-9	水封弹簧座Water seal spring seat	2
39	295-14100a	水封部件I Water seal assembly I	1
40	TY295.13-3	节温器垫片 Temperature regulator gasket	1
41	TY295.13-2	节温器上盖垫片 Temperature regulator over cap gasket	1



图九 润滑系统
Fig9 Lubrication System

Lubrication System Assembly (Fig.9)

序号Ser NO.	图号Parts NO.	名称Name of parts	数量Qty
1	TY395.5-1	机油泵上体Upper oil pump body	1
2	TY395.5-5	机油泵上体垫片Upper oil pump body gasket	1
3	TY395.5.1-3	销Pin	1
4	TY395.5-4	机油泵下体Lower oil pump body	1
5	TY395.5-3	机油泵齿轮Oil pump gear	1
6	GB1098-79	键4×65×16 Key 4×65×16	1
7	GB894.1-86	挡圈14 Check ring 14	1
8	TY395.5.1-2	机油泵轴Oil pump shaft	1
9	TY395.7-2	油底壳垫片Oil sump gasket	1
10	GB119-86	销A5×14 PinA5×14	2
11	TY395.5.1-1	内转子Inner rotor	1
12	TY395.5-2	外转子Outer rotor	1
13	GB859-87	垫圈8 Washer 8	8
14	GB70-85	螺钉M8×55 Screw M8×55	3
15	GB5782-86	螺栓M10×65 Bolt M10×65	18
16	GB59-87	垫圈10 Washer 10	18
17	TY295I.7-7	油堵Stopper	2
18	TY295.7.1-2	吸滤器垫片Oil sucking and staining gasket	1
19	TY295I.7.1-3	密封圈sealing ring	1
20	TY395.7.1.1	吸滤器焊合件Oil Sucking and Straining Meldment	1
21	GB5782-86	螺栓M8×22 Bolt M8×22	3
22	TY295I.7-2	放油螺塞Oil drain plug	1
23	TY295.7-3	放油螺塞垫圈Oil drain plug washer	1
24	TY395.7-1	油底壳Oil sump	1
25	J0810A	机油滤清器Oil filter	1
26	GB5782-86	螺栓M8×50 Bolt M8×50	1
27	GB5783-86	螺栓M8×25 Bolt M8×25	1

10. TY395B special directory lists 专用件明细

序号Ser NO.	图号Parts NO.	名称Name of parts	数量Qty
1	TY395I.1.1-1	气缸盖机械合件Cylinder head assembly	1
2	TY395B.2.1-1	气缸体Cylinder block	1
3	JD495B.2-7	气缸套Cylinder sleeve	3
4	JD495B.4.1-4	活塞Piston	3
5	JD495B.4.1-1	第一道气环Compression ring (1)	3
6	JD495B.4.1-2	第二道气环Compression ring (2)	3
7	JD495B.4.1.1	螺旋撑簧油环Oil scraper ring	3

11. TY3100B special directory lists 专用件明细

序号Ser NO.	图号Parts NO.	名称Name of parts	数量Qty
1	TY3100I.1.1-1	气缸盖机械合件Cylinder head assembly	1
2	TY3100B.2.1-1	气缸体Cylinder block	1
3	JD4100B.2-7	气缸套Cylinder sleeve	3
4	JD4100B.4.1-4	活塞Piston	3
5	TY2100II.4.1-1	第一道气环Compression ring (1)	3
6	TY2100II.4.1-2	第二道气环Compression ring (2)	3
7	TY2100II.4.1.1	螺旋撑簧油环Oil scraper ring	3