

**JINMA SERIES WHEELED TRACTOR PARTS CATALOGUE**  
**(300/304/350/354)**



**Mahindra Yueda (Yancheng) Tractor Co.,Ltd.**

# 黄海金马-30-40A型轮式拖拉机部件组成表

## Parts List of Huanghai JM-30-40A Wheel Tractor

| 序号<br>Ser. No. | 名称<br>Part Name   | 机型 Model |     |     |     |      |      | 页号<br>Page |
|----------------|---|----------|-----|-----|-----|------|------|------------|
|                |   | 300      | 304 | 350 | 354 | 400A | 404A |            |
| 1              | 散热器总成<br>Radiator Assembly                                      | ✓        | ✓   | ✓   | ✓   | ✓    | ✓    | 1          |
| 2              | 进气系统总成I<br>Air Intake SystemI                                   | △        | △   | △   | △   | △    | △    | 3          |
| 3              | 进气系统总成II<br>Air Intake SystemII                                 | ✓        | ✓   | ✓   | ✓   | ✓    | ✓    | 5          |
| 4              | 排气系统总成I<br>Exhaust SystemI                                      | △        | △   | △   | △   | △    | △    | 7          |
| 5              | 排气系统总成II<br>Exhaust SystemII                                    | ✓        | ✓   | ✓   | ✓   | ✓    | ✓    | 9          |
| 6              | 排气系统总成III<br>Exhaust SystemIII                                  |          |     | △   | △   |      |      | 11         |
| 7              | 发动机操纵机构总成<br>Engine Control Mechanism                           | ✓        | ✓   | ✓   | ✓   | ✓    | ✓    | 13         |
| 8              | 单作用离合器总成<br>Single Stage Clutch                                 | ✓        | ✓   | ✓   | ✓   | ✓    | ✓    | 16         |
| 9              | 双作用离合器总成<br>Dual Stage Clutch                                   | △        | △   | △   | △   | △    | △    | 18         |
| 10             | 过桥<br>Intermediate Axle   | ✓        | ✓   | ✓   | ✓   | ✓    | ✓    | 22         |
| 11             | 过桥(四轮驱动·单作用)<br>Intermediate Axle (4WD and Single stage clutch) |          | ✓   |     | ✓   |      | ✓    | 26         |
| 12             | 过桥(双作用离合器)<br>Intermediate Axle (For dual Stage Clutch)         | △        | △   | △   | △   | △    | △    | 30         |
| 13             | 前驱动拨叉(四轮驱动)<br>Front Drive Release Fork (Four wheel drive)      |          | △   |     | △   |      | △    | 33         |
| 14             | 托架及套管<br>Bracket & Sleeve                                       | ✓        |     | ✓   |     | ✓    |      | 35         |
| 15             | 付套管及前轮毂<br>Front Axle Arm & Front Wheel Hub                     | ✓        |     | ✓   |     | ✓    |      | 38         |
| 16             | 纵横拉杆<br>Drag Link & Tile Rod                                    | ✓        |     | ✓   |     | ✓    |      | 41         |
| 17             | 前中央传动(一)(四轮驱动)<br>Front Central Drive (A) (Four wheel drive)    |          | ✓   |     | ✓   |      | ✓    | 44         |
| 18             | 前中央传动(二)(四轮驱动)<br>Front Central Drive (B) (Four wheel drive)    |          | ✓   |     | ✓   |      | ✓    | 47         |

# 黄海金马-30-40A型轮式拖拉机部件组成表

## Parts List of Huanghai JM-30-40A Wheel Tractor

| 序号<br>Ser. No. | 名称<br>Part Name | 机型 Model   |     |     |     |      |      | 页号<br>Page |    |
|----------------|-----------------|--|-----|-----|-----|------|------|------------|----|
|                |                 | 300  | 304 | 350 | 354 | 400A | 404A |            |    |
| 19             | 前末端传动总成 (四轮驱动)  | Front Final Drive Assembly (Four wheel drive)    |     | ✓   |     | ✓    |      | ✓          | 50 |
| 20             | 导向轮             | Directive Wheel                                  | ✓   |     | ✓   |      | ✓    |            | 54 |
| 21             | 前驱动轮 (四轮驱动)     | Front Driving Wheel (Four wheel drive)           |     | ✓   |     | ✓    |      | ✓          | 56 |
| 22             | 驱动轮             | Driving Wheel                                    | ✓   | ✓   | ✓   | ✓    |      |            | 58 |
| 23             | 驱动轮I            | Driving Wheel I                                  |     |     |     |      | ✓    | ✓          | 60 |
| 24             | 摆式牵引板总成         | Pendulum Drawbar                                 | △   | △   | △   | △    | △    | △          | 62 |
| 25             | 牵引板总成 I         | Drawbar I  | △   | △   | △   | △    | △    | △          | 64 |
| 26             | 牵引板总成 II        | Drawbar II                                       | △   | △   | △   | △    | △    | △          | 66 |
| 27             | 变速箱盖            | Transmission Cover                               | ✓   | ✓   | ✓   | ✓    | ✓    | ✓          | 68 |
| 28             | 变速箱盖            | Transmission Cover                               | ✓   | ✓   | ✓   | ✓    | ✓    | ✓          | 70 |
| 29             | 传动箱第一轴(单作用)     | Drive Gearbox Main Shaft (Single stage clutch)   | ✓   | ✓   | ✓   | ✓    | ✓    | ✓          | 73 |
| 30             | 传动箱第一轴 (双作用离合器) | Drive Gearbox Primary Shaft                      | △   | △   | △   | △    | △    | △          | 76 |
| 31             | 传动箱第二轴(单作用)     | Drive Gearbox (Single stage clutch)              | ✓   | ✓   | ✓   | ✓    | ✓    | ✓          | 79 |
| 32             | 传动箱第二轴 (双作用离合器) | Drive Gearbox Main Shaft (For dual stage clutch) | △   | △   | △   | △    | △    | △          | 82 |
| 33             | 传动箱第二轴 (防掉档)    | Drive Gearbox Main Shaft                         | ✓   | ✓   | ✓   | ✓    | ✓    | ✓          | 84 |
| 34             | 差速器             | Differential                                     | ✓   | ✓   | ✓   | ✓    | ✓    | ✓          | 86 |
| 35             | 差速锁             | Differential Lock                                | ✓   | ✓   | ✓   | ✓    | ✓    | ✓          | 88 |
| 36             | 动力输出 (啮合套换挡)    | Power Take-Off (Meshing sleeve shift)            | ✓   | ✓   | ✓   | ✓    | ✓    | ✓          | 90 |

# 黄海金马-30-40A型轮式拖拉机部件组成表

## Parts List of Huanghai JM-30-40A Wheel Tractor

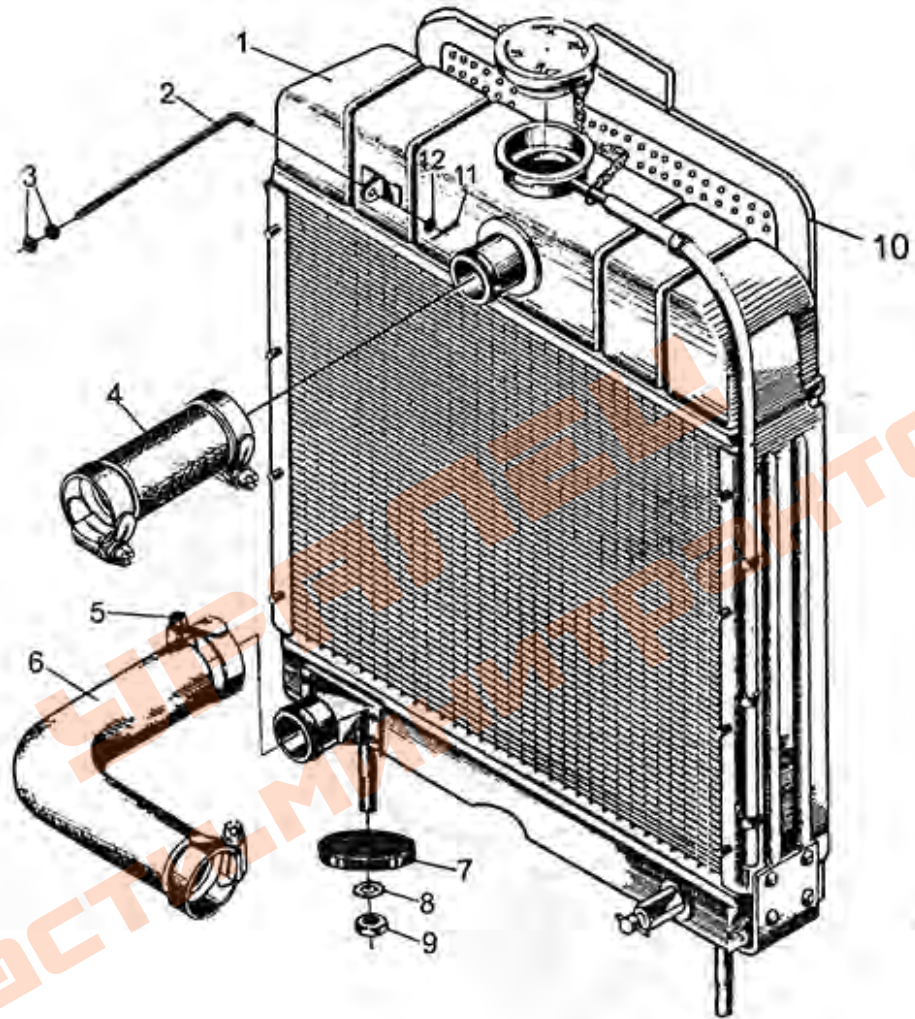
| 序号<br>Ser. No. | 名称<br>Part Name                                   | 机型 Model |     |     |     |      |      | 页号<br>Page |
|----------------|---|----------|-----|-----|-----|------|------|------------|
|                |   | 300      | 304 | 350 | 354 | 400A | 404A |            |
| 37             | 传动箱<br>Drive Gearbox                              | ✓        | ✓   | ✓   | ✓   | ✓    | ✓    | 93         |
| 38             | 末端传动总成<br>Final Drive Assembly                    | ✓        | ✓   | ✓   | ✓   | ✓    | ✓    | 98         |
| 39             | 末端传动总成(加长轴)<br>Final Drive Assembly               | △        | △   | △   | △   | △    | △    | 101        |
| 40             | 转向器<br>Side Hydraulic Steering Assembly           | ✓        |     | ✓   |     | ✓    |      | 103        |
| 41             | 分动箱传动轴总成<br>Transfer Case Drive Shaft Assembly    |          | ✓   |     | ✓   |      | ✓    | 106        |
| 42             | 制动器及操纵机构总成<br>Brake and Operation Mechanism       | ✓        | ✓   | ✓   | ✓   | ✓    | ✓    | 110        |
| 43             | 驾驶座总成<br>Seat                                     | ✓        | ✓   | ✓   | ✓   | ✓    | ✓    | 114        |
| 44             | 驾驶座总成I<br>Seat I                                  | △        | △   | △   | △   | △    | △    | 116        |
| 45             | 折叠式安全架总成<br>Roll-over Protective Structure        | △        | △   | △   | △   | △    | △    | 118        |
| 46             | 发动机罩壳、仪表盘及支架总成 I<br>Hood, Panel and Bracket I     | ✓        | ✓   | ✓   | ✓   | ✓    | ✓    | 120        |
| 47             | 发动机罩壳、仪表盘及支架总成 II<br>Hood, Panel and Bracket II   | △        | △   | △   | △   | △    | △    | 124        |
| 48             | 发动机罩壳、仪表盘及支架总成 III<br>Hood, Panel and Bracket III | △        | △   | △   | △   | △    | △    | 127        |
| 49             | 左右护板及左右地板总成<br>Mud Shield and Step                | ✓        | ✓   | ✓   | ✓   | ✓    | ✓    | 130        |
| 50             | 电瓶座总成 I<br>Battery Support Seat Assy I            | ✓        | ✓   | ✓   | ✓   | ✓    | ✓    | 133        |
| 51             | 电瓶座总成 II<br>Battery Support Seat Assy II          | ✓        | ✓   | ✓   | ✓   | ✓    | ✓    | 135        |
| 52             | 工具箱总成<br>Tool Box                                 | △        | △   | △   | △   | △    | △    | 137        |
| 53             | 燃油箱总成<br>Fuel Tank                                | ✓        | ✓   | ✓   | ✓   | ✓    | ✓    | 139        |
| 54             | 提升器总成<br>Lifter Assembly                          | ✓        | ✓   | ✓   | ✓   | ✓    | ✓    | 142        |

# 黄海金马-30-40A型轮式拖拉机部件组成表

## Parts List of Huanghai JM-30-40A Wheel Tractor

| 序号<br>Ser. No. | 名称<br>Part Name  | 机型 Model |     |     |     |      |      | 页号<br>Page |
|----------------|--|----------|-----|-----|-----|------|------|------------|
|                |  | 300      | 304 | 350 | 354 | 400A | 404A |            |
| 55             | 分配器总成<br>Distributor Assembly                              | ✓        | ✓   | ✓   | ✓   | ✓    | ✓    | 146        |
| 56             | 悬挂机构总成<br>Suspension Mechanism Assembly                    | ✓        | ✓   | ✓   | ✓   | ✓    | ✓    | 150        |
| 57             | 气制动总成<br>Air Brake Assembly                                | △        | △   | △   | △   | △    | △    | 153        |
| 58             | 液压转向器总成<br>Hydraulic Steering Gear Assembly                | △        | ✓   | △   | ✓   | △    | ✓    | 156        |
| 59             | 侧置液压转向<br>Side Hydraulic Steering Assembly                 |          | ✓   |     |     |      |      | 161        |
| 60             | 液压油泵及管路总成 I<br>Pump and Pipe I                             | ✓        | ✓   | ✓   | ✓   | ✓    | ✓    | 163        |
| 61             | 液压油泵及管路总成 II<br>Pump and Pipe II                           | ✓        | ✓   | ✓   | ✓   | ✓    | ✓    | 166        |
| 62             | 液压输出油管总成<br>Hydraulic Take-off pipe                        | △        | △   | △   | △   | △    | △    | 169        |
| 63             | 液压输出油管总成(多路阀)<br>Hydraulic Take-off Pipe (Multi-way valve) | △        | △   | △   | △   | △    | △    | 171        |
| 64             | 电器系统总成<br>Electrical System                                | ✓        | ✓   | ✓   | ✓   | ✓    | ✓    | 174        |
| 65             | 电器系统总成 I<br>Electrical System I                            | ✓        | ✓   | ✓   | ✓   | ✓    | ✓    | 177        |
| 66             | 电器系统总成 II<br>Electrical System II                          | ✓        | ✓   | ✓   | ✓   | ✓    | ✓    | 182        |

"△"表示用户选装      May Be Selected By User

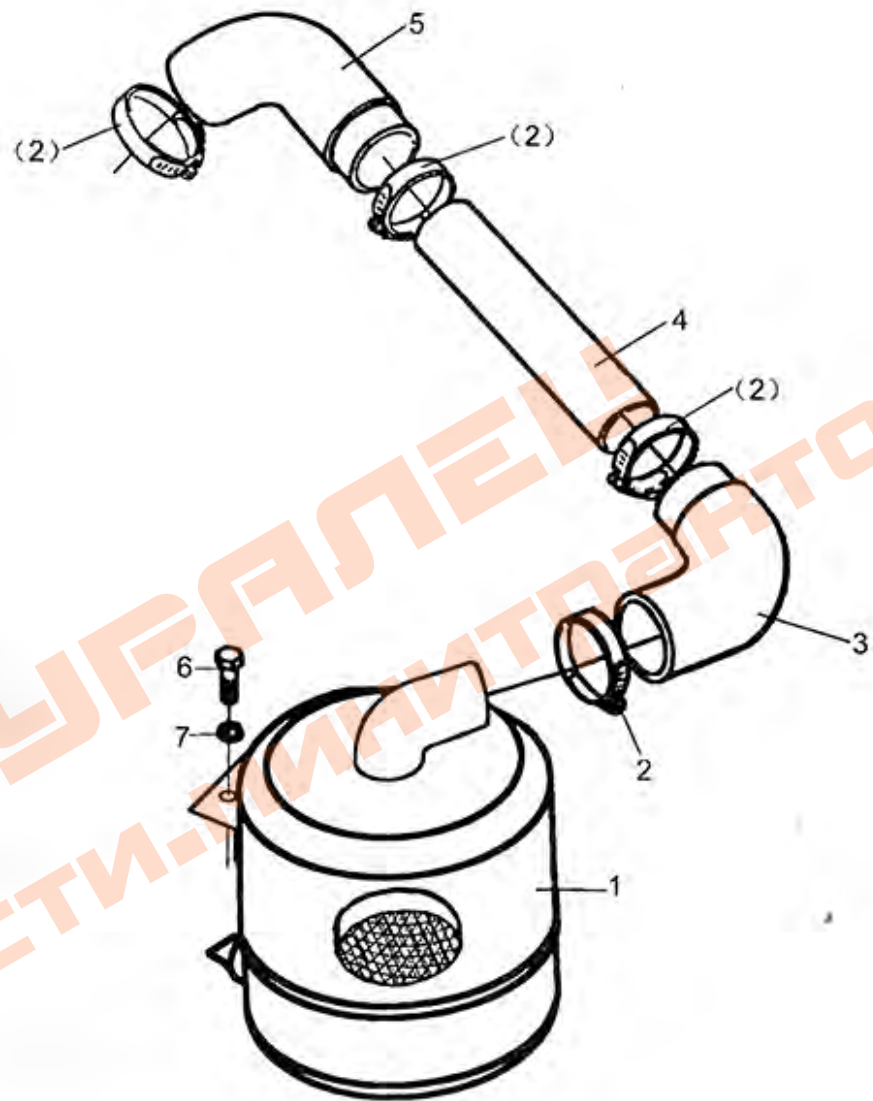


散热器总成  
Radiator Assembly

## 散热器总成

## Radiator Assembly

| 序号<br>Ser. No. | 代 号<br>Part No. | 名 称                           | Name                             | 数量<br>Qty. |
|----------------|-----------------|-------------------------------|----------------------------------|------------|
| 1              | TY395.12.010-1  | 散热器总成 (YC350) -----TY395/3100 | Radiator assembly-----TY395/3100 | 1          |
|                | 4L22T.12.010-1  | 散热器总成 (YC350D) -----4L22T/BT  | Radiator assembly-----4L22T/BT   | 1          |
|                | ZN390.12.010-1  | 散热器总成 (YC300B) -----ZN390/490 | Radiator assembly-----ZN390/490  | 1          |
|                | 304T.12.010-1   | 散热器总成 (YC304T) -----SL2105    | Radiator assembly-----SL2105     | 1          |
| 2              | TY395.106       | 拉杆                            | Rod                              | 1          |
| 3              | GB/T6170        | 螺母M8                          | Nut M8                           | 2          |
| 4              | TY395.101       | 出水管(TY3100/TY395)             | Rubber tube                      | 1          |
|                | SL3105BT.202    | 出水管(4L22T/4L22BT)             | Rubber tube                      | 1          |
|                | ZN390.102       | 出水管(ZN390/ZN490/4L22BT)       | Rubber tube                      | 1          |
|                | TY395.101       | 出水管(SL2105ABT)                | Rubber tube                      | 1          |
| 5              | D16-ABA-50      | 喉箍Φ38-Φ55                     | Tube clamp Φ38-Φ55               | 4          |
| 6              | TY395.102       | 进水管(TY3100/TY395)             | Rubber tube                      | 1          |
|                | Y385.109        | 进水管(4L22T)                    | Rubber tube                      | 1          |
|                | 4L22T.203       | 进水管(4L22BT)                   | Rubber tube                      | 1          |
|                | ZN390.101-1     | 进水管(ZN390/ZN490)              | Rubber tube                      | 1          |
|                | SL2105.13.102   | 进水管(SL2105ABT)                | Rubber tube                      | 1          |
| 7              | BL-178          | 橡胶垫                           | Rubber pad                       | 2          |
| 8              | GB/T97.1        | 垫圈12                          | Washer 12                        | 2          |
| 9              | GB/T889         | 螺母M12                         | Nut M12                          | 2          |
| 10             | B395.109        | 挡草板                           | Shutter                          | 1          |
| 11             | GB/T91          | 开口销2×16                       | Split pin 2×16                   | 1          |
| 12             | GB/T97.1        | 垫圈8                           | Washer 8                         | 1          |



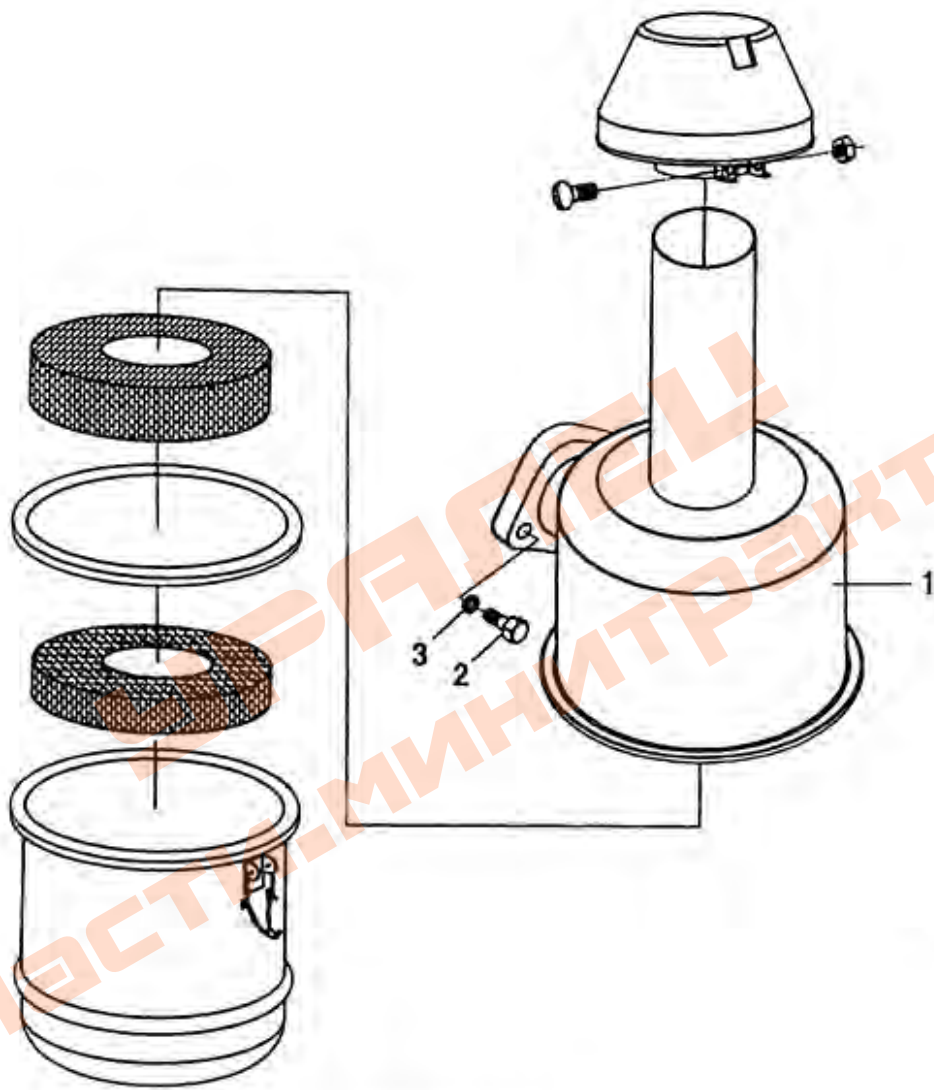
进气系统总成  
Air Intake System



## 进气系统总成

## Air Intake System

| 序号<br>Ser. No. | 代号<br>Part No. | 名称        | Name                | 数量<br>Qty. |
|----------------|----------------|-----------|---------------------|------------|
| 1              | TY395.11.010A  | 空滤器总成(干式) | Air filter assembly | 1          |
|                | SL2105.11.010B | 空滤器总成(湿式) | Air filter assembly | 1          |
| 2              | D16-ABA-65     | 喉箍Φ50-65  | Tube clampΦ50-65    | 4          |
| 3              | TY395.104      | 橡胶管2      | Rubber tube 2       | 1          |
| 4              | TY395.105-2    | 进气管       | Air filter tube     | 1          |
| 5              | TY395.103-1    | 橡胶管1      | Rubber tube 1       | 1          |
| 6              | GB/T5783       | 螺栓M8×25   | Bolt M8×25          |            |
| 7              | GB/T93         | 垫圈8       | Washer 8            |            |



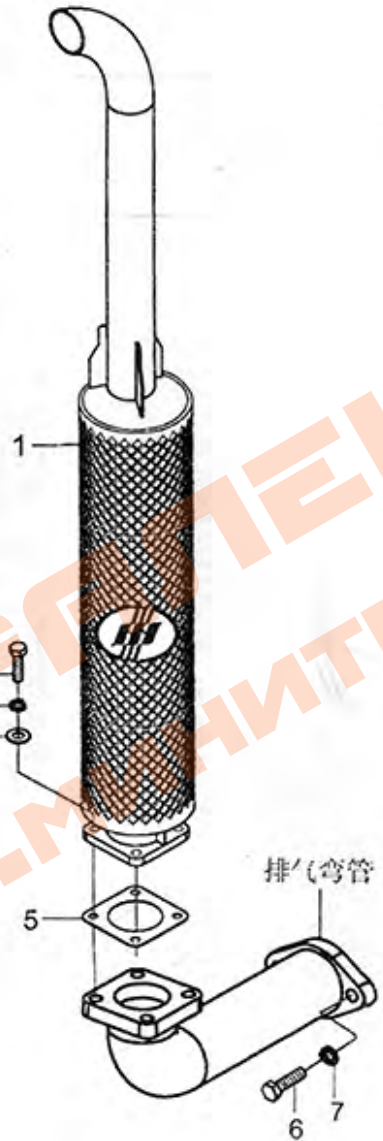
进气系统总成 II  
Air Intake System II

进气系统总成 II

Air Intake System II

| 序号<br>Ser. No. | 代 号<br>Part No. | 名 称<br>Name                  | 数量<br>Qty. |
|----------------|-----------------|------------------------------|------------|
| 1              | SL2105.11.010   | 空滤器总成<br>Air filter assembly | 1          |
| 2              | GB/T5783        | 螺栓M8×25<br>Bolt M8×25        | 1          |
| 3              | GB/T93          | 垫圈8<br>Washer 8              | 1          |

УЕБМЕШ  
ЗАПЧАСТИ.МОНИТРАКТОР.РФ

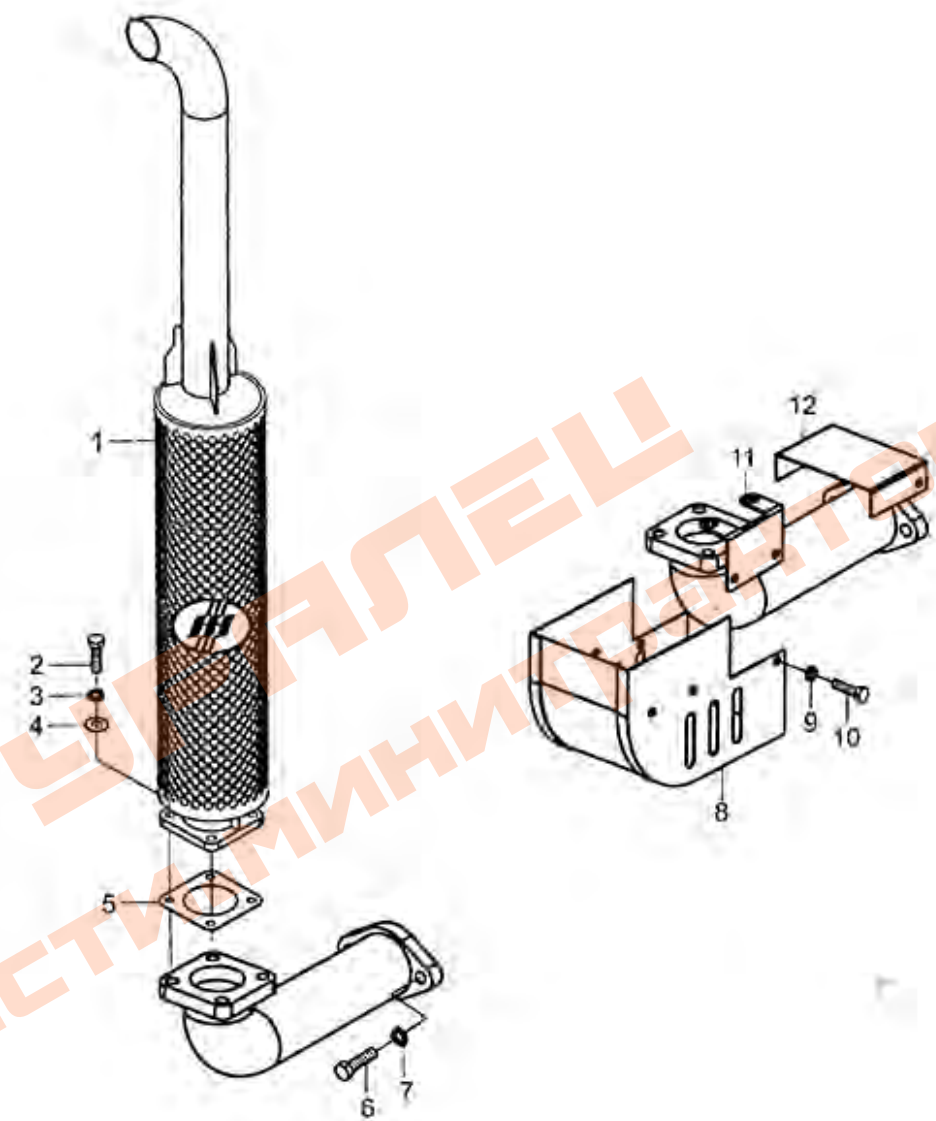


排气系统总成 |  
Exhaust System |

## 排气系统总成 I

## Exhaust System I

| 序号<br>Ser. No. | 代 号<br>Part No. | 名 称<br>Name   | 数量<br>Qty. |
|----------------|-----------------|---------------|------------|
| 1              | SL2105.10.010-1 | 消声器总成         | 1          |
|                | 4L22T.10.010A   | 消声器总成 (EPAIV) | 1          |
| 2              | GB/T5783        | 螺栓M8×25       | 4          |
| 3              | GB/T93          | 垫圈8           | 4          |
| 4              | GB/T97.1        | 垫圈8           | 4          |
| 5              | Y385.10.119     | 消声器垫片         | 1          |
| 6              | GB/T5783        | 螺栓M10×30      | 2          |
| 7              | GB/T93          | 垫圈10          | 2          |

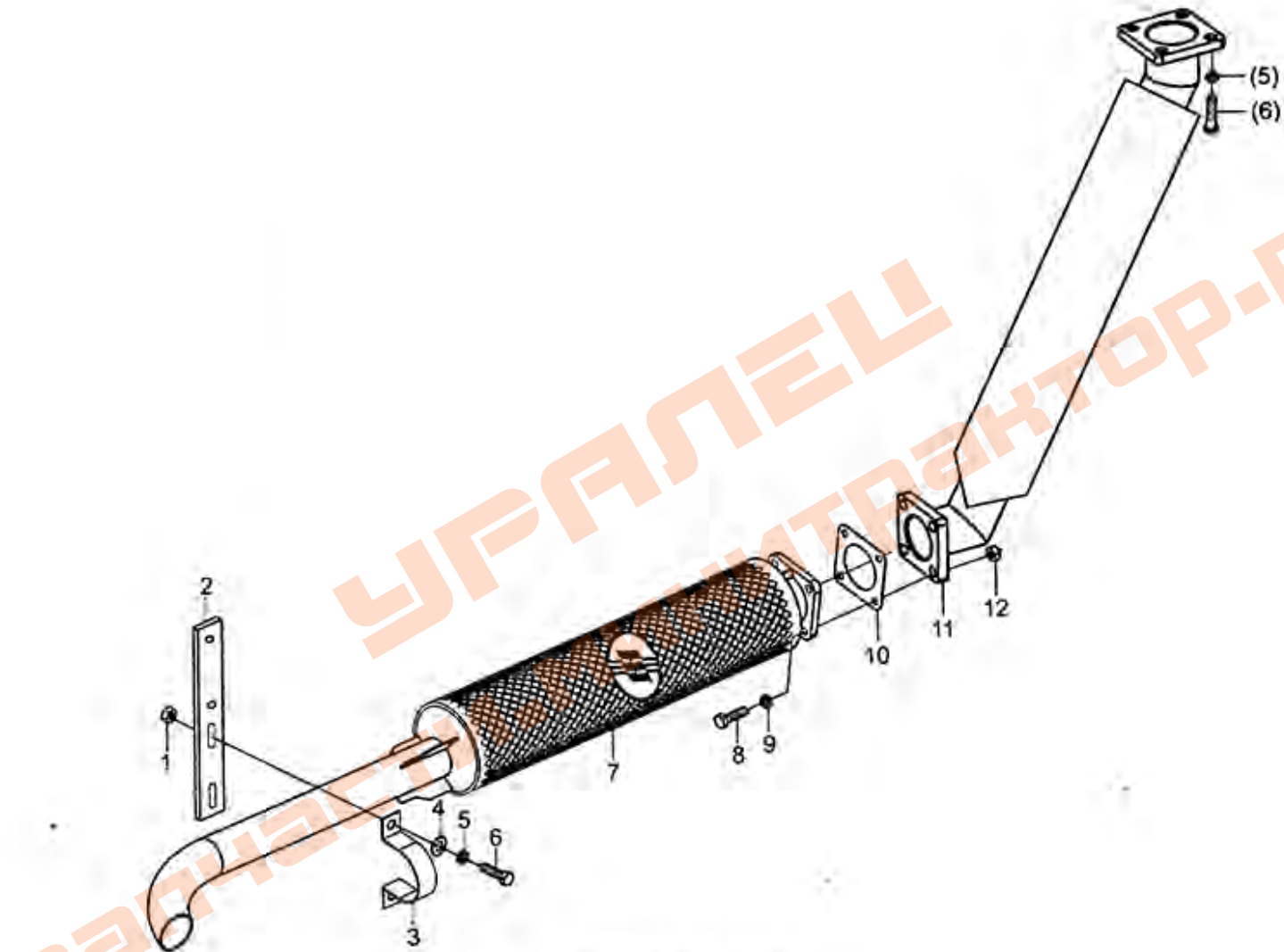


排气系统总成 II  
Exhaust System II

排气系统总成 II

Exhaust System II

| 序号<br>Ser. No. | 代 号<br>Part No. | 名 称           | Name                         | 数量<br>Qty. |
|----------------|-----------------|---------------|------------------------------|------------|
| 1              | SL2105.10.010-1 | 消声器总成         | Muffler assembly             | 1          |
|                | 4L22T.10.010A   | 消声器总成 (EPAIV) | Muffler assembly             | 1          |
| 2              | GB/T5783        | 螺栓M8×25       | Bolt M8×25                   | 4          |
| 3              | GB/T93          | 垫圈8           | Washer 8                     | 4          |
| 4              | GB/T97.1        | 垫圈8           | Washer 8                     | 4          |
| 5              | Y385.10.119     | 消声器垫片         | Muffler washer               | 1          |
| 6              | GB/T5783        | 螺栓M10×30      | Bolt M10×30                  | 2          |
| 7              | GB/T93          | 垫圈10          | Washer 10                    | 2          |
| 8              | Y385.10.003     | 防护罩总成         | Cover assembly               | 1          |
| 9              | GB/T93          | 垫圈6           | Washer 6                     | 6          |
| 10             | GB/T5783        | 螺栓M6×20       | Bolt M6×20                   | 6          |
| 11             | TY395.10.014    | 护罩连接板焊合件I     | Shield weld connection plate | 1          |
| 12             | TY395.10.013    | 护罩连接板焊合件      | Shield weld connection plate | 1          |



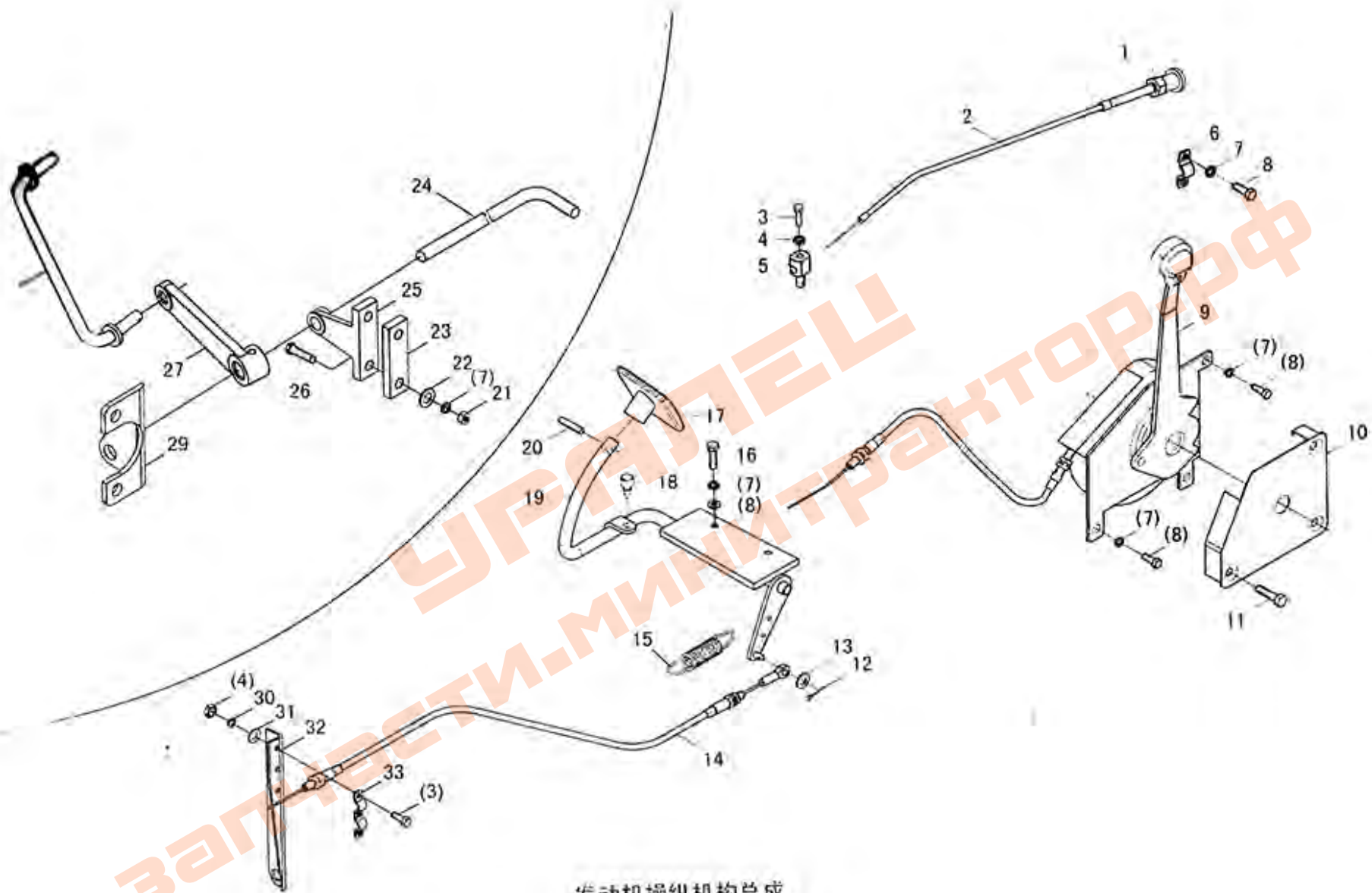
排气系统总成 III  
Exhaust System III



## 排气系统总成III

## Exhaust System III

| 序号<br>Ser. No. | 代号<br>Part No.  | 名称       | Name                        | 数量<br>Qty. |
|----------------|-----------------|----------|-----------------------------|------------|
| 1              | GB/T6170        | 螺母M8     | Nut M8                      | 4          |
| 2              | TY395.10.104A   | 连接板      | Connection plate            | 1          |
| 3              | TY295.10.106    | 消声器固定卡   | Muffler fixed card          | 1          |
| 4              | GB/T97.1        | 垫圈8      | Washer 8                    | 6          |
| 5              | GB/T93          | 垫圈8      | Washer 8                    | 6          |
| 6              | GB/T5783        | 螺栓M8×25  | Bolt M8×25                  | 6          |
| 7              | SL2105.10.010-1 | 消声器总成    | Muffler assembly            | 1          |
| 8              | GB/T5783        | 螺栓M10×30 | Bolt M10×30                 | 4          |
| 9              | GB/T93          | 垫圈10     | Washer 10                   | 4          |
| 10             | Y385.10.119     | 消声器垫片    | Muffler washer              | 2          |
| 11             | TY395.10.010    | 消声器连接管合作 | The muffler tube connection | 1          |
| 12             | GB/T6170        | 螺母M10    | Nut M10                     | 4          |



发动机操纵机构总成  
Engine Control Mechanism

发动机操纵机构总成

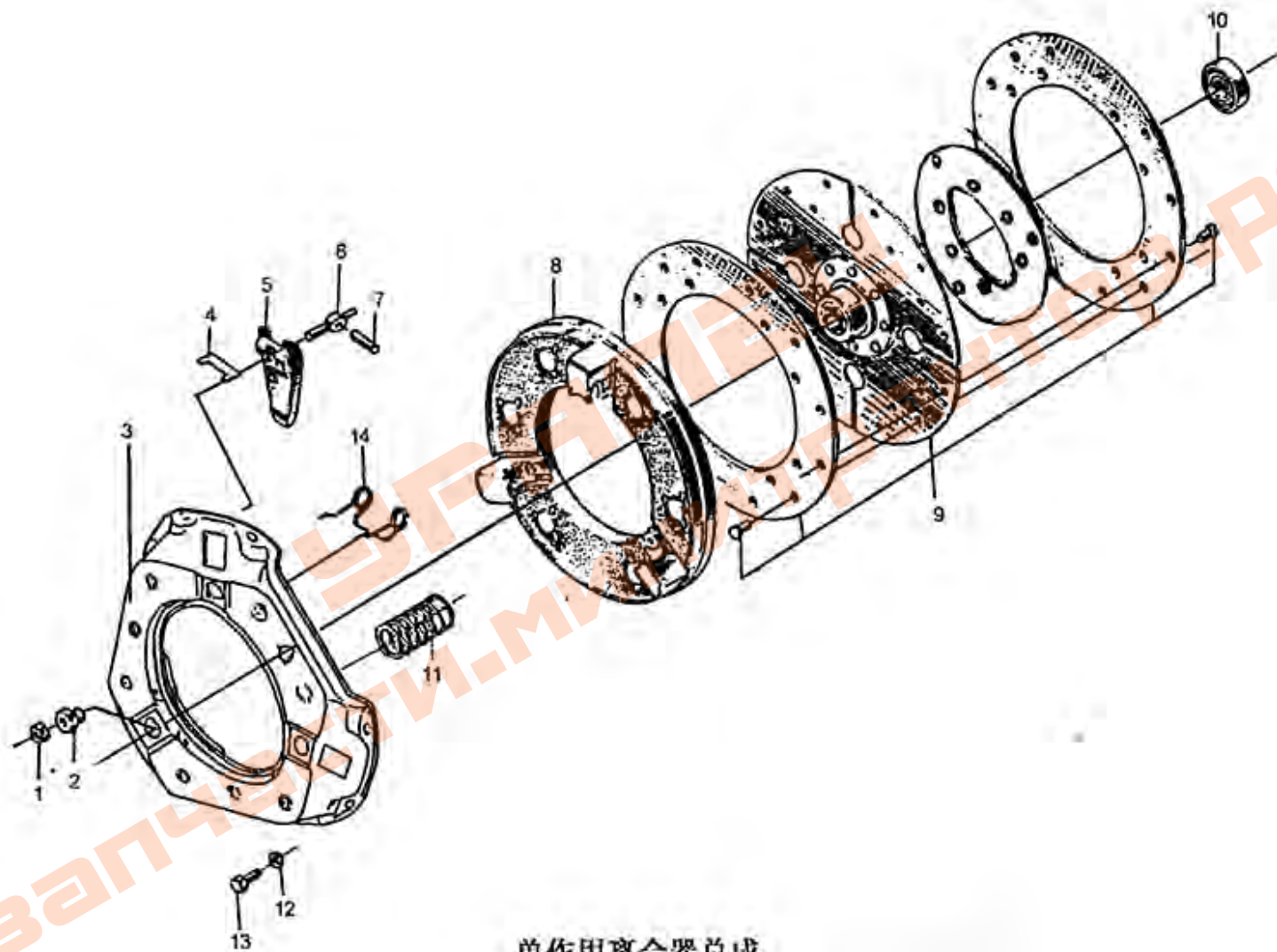
Engine Control Mechanism

| 序号<br>Ser. No. | 代号<br>Part No. | 名称                | Name                                  | 数量<br>Qty. |
|----------------|----------------|-------------------|---------------------------------------|------------|
| 1              | 184.20.151     | 手柄                | bulb                                  | 1          |
| 2              | 300.20.025     | 熄火拉线总成 (常用型)      | Extinguish wire assembly              | 1          |
|                | 300.20.025A    | 熄火拉线总成 (配流线型铁机罩用) | Extinguish wire assembly              | 1          |
|                | 300.20.025B    | 熄火拉线总成 (配驾驶室用)    | Extinguish wire assembly              | 1          |
| 3              | GB/T5783       | 螺栓M5*20           | Bolt M5×20                            | 6          |
| 4              | GB/T6170       | 螺母M5              | Nut M5                                | 5          |
| 5              | 300.20.213     | 连接销               | Pin                                   | 2          |
| 6              | 300.20.117     | 支座 (1)            | Support (1)                           | 1          |
| 7              | GB/T93         | 垫圈6               | Washer 6                              | 5          |
| 8              | GB/T5783       | 螺栓M6*16           | Bolt M6×16                            | 5          |
| 9              | 300.20.030     | 手油门总成             | Hand throttle assembly                | 1          |
| 10             | 700.20.127A    | 手油门盖              | Cover, hand throttle                  | 1          |
| 11             | GB/T68         | 螺钉M8*30           | Bolt M8×30                            | 3          |
| 12             | GB/T91         | 开口销2×12           | Split pin 2×12                        | 4          |
| 13             | GB/T97.1       | 垫圈6               | Washer 6                              | 9          |
| 14             | 300.20.031     | 脚油门拉线总成           | Foot throttle wire assembly           | 1          |
| 15             | 300.20.125     | 回位弹簧              | Return spring                         | 1          |
| 16             | GB/T5783       | 螺栓M8*20           | Bolt M8×20                            | 2          |
| 17             | 700.20.101     | 脚踏板               | Foot pedal                            | 1          |
| 18             | 700.20.107     | 橡胶塞               | Rubber plug                           | 1          |
| 19             | 300.20.027-1   | 脚油门焊合作            | Foot pedal rocker weldment            | 1          |
| 20             | GB/T1879.1     | 弹性圆柱销5×20         | Spring-type straight pin-slotted 5×20 | 1          |
| 21             | GB/T6170       | 螺母M8              | Nut M8                                | 2          |

## 续. 发动机操纵机构总成

## Cont. Engine Control Mechanism

| 序号<br>Ser. No. | 代号<br>Part No. | 名称                    | Name                                 | 数量<br>Qty. |
|----------------|----------------|-----------------------|--------------------------------------|------------|
| 22             | GB/T97.1       | 垫圈8                   | Washer 8                             | 2          |
| 23             | 300.20.204     | 垫板                    | plate                                | 1          |
| 24             | 300.20.120     | 减压手柄                  | Decompression handle                 | 1          |
| 25             | 300.20.122     | 支座(Ⅲ)                 | Support (III)                        | 1          |
| 26             | GB/T5783       | 螺栓M8*25               | Bolt M8×25                           | 2          |
| 27             | 300.20.121     | 减压摇臂                  | Decompression arm                    | 1          |
| 28             | 300.20.016     | 减压拉杆焊合件(SL2105/ZN390) | Decompression pull rod(SL2105/ZN390) | 1          |
|                | 300.20.016B    | 减压拉杆焊合件(TY395/TY3100) | Decompression pull rod(TY395/TY3100) | 1          |
|                | 300.20.016C    | 减压拉杆焊合件(Y480/Y485)    | Decompression pull rod(Y480/Y485)    | 1          |
| 29             | 300.20.118-1   | 支座(SL2105)            | Support(SL2105)                      | 1          |
|                | 300.20.118B    | 支座(TY395/TY3100)      | Support(TY395/TY3100)                | 1          |
|                | 300.20.118C    | 支座(Y480/Y485)         | Support(Y480/Y485)                   | 1          |
|                | 300.20.118D    | 支座(ZN390)             | Support(ZN390)                       | 1          |
| 30             | GB/T93         | 垫圈5                   | Washer 5                             | 5          |
| 31             | GB/T97.1       | 垫圈5                   | Washer 5                             | 5          |
| 32             | 300E.20.202    | 熄火软轴支架                | Support                              | 1          |
| 33             | 300E.20.203    | 压板                    | Press plate                          | 1          |

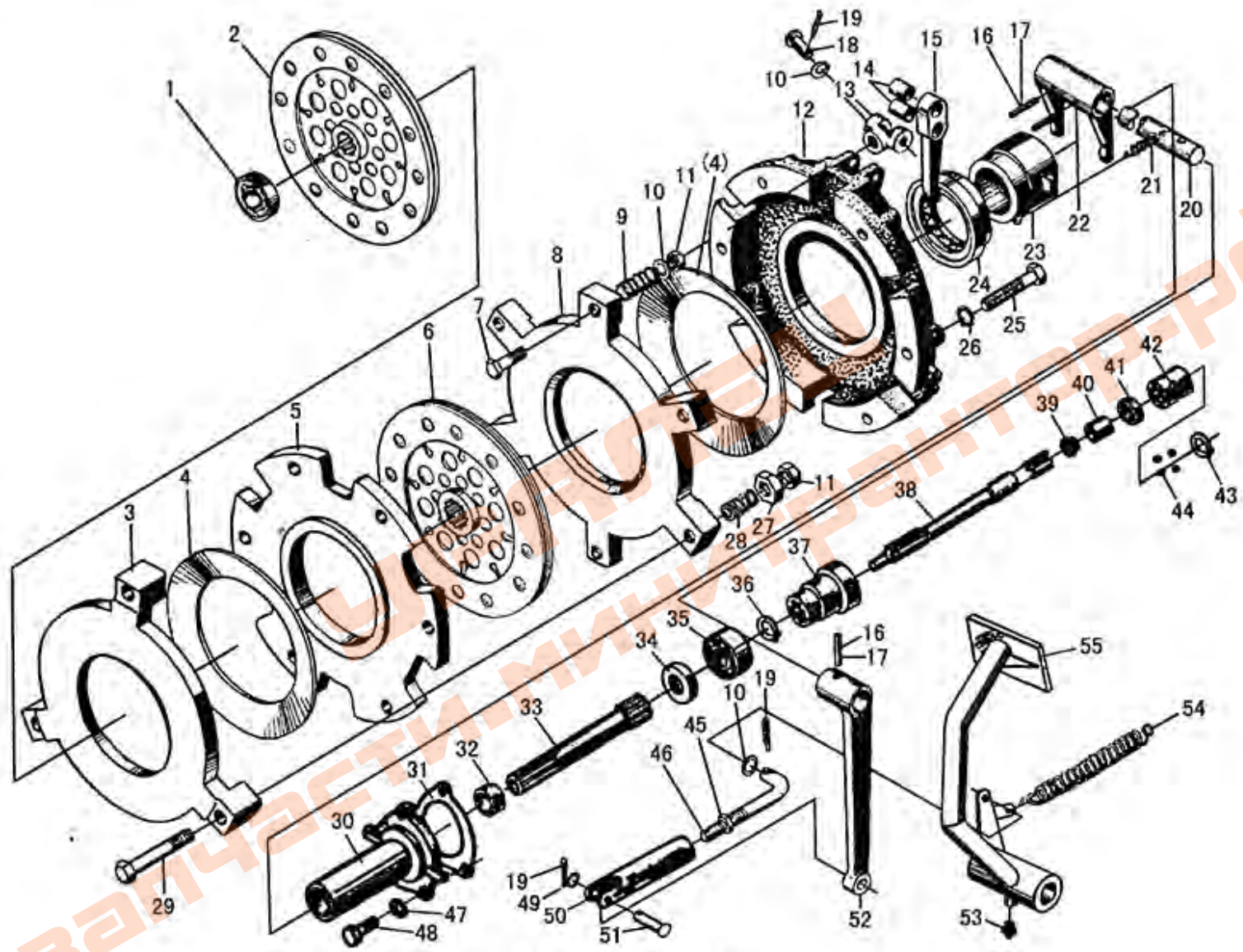


单作用离合器总成  
Single Stage Clutch

## 单作用离合器总成

## Single Stage Clutch

| 序号<br>Ser. No. | 代号<br>Part No. | 名称          | Name                         | 数量<br>Qty. |
|----------------|----------------|-------------|------------------------------|------------|
| 1              | GB/T6173       | 螺母M10×1     | Nut M10×1                    | 3          |
| 2              | 130-160.1107   | 分离杠杆调整螺母    | Adjusting nut,release lever  | 3          |
| 3              | 130-1601091B   | 离合器盖        | Clutch cover                 | 1          |
| 4              | 130-1601098B   | 分离杠杆卡铁      | Clamp iron,release lever     | 3          |
| 5              | 130-1601095B   | 分离杠杆        | Clutch release lever         | 3          |
| 6              | 130-1601104B   | 分离杠杆调整螺栓    | Adjusting bolt,release lever | 3          |
| 7              | 130-16011038   | 分离杠杆销       | Parallel pin,release lever   | 3          |
| 8              | 130-1601093B   | 离合器压盘       | Clutch pressure disk         | 1          |
| 9              | NJ-130         | 离合器从动盘总成    | Clutch driven disk assembly  | 1          |
| 10             | GB/T278        | 轴承60204-2RS | Rolling bearing 6204-2RS     | 1          |
| 11             | 130-1601115    | 离合器压紧弹簧     | Clutch compression spring    | 9          |
| 12             | GB 193         | 垫圈8         | Spring lock washer 8         | 6          |
| 13             | GB 1783        | 螺栓M8×20     | Bolt M8×20                   | 6          |
| 14             | 130-1601096    | 分离杠杆弹簧      | Spring,release lever         | 3          |



双作用离合器总成  
Dual Stage Clutch

## 双作用离合器总成

## Dual Stage Clutch

| 序号<br>Ser. No. | 代 号<br>Part No. | 名 称          | Name                   | 数量<br>Qty. |
|----------------|-----------------|--------------|------------------------|------------|
| 1              | GB/T276         | 滚动轴承6203-2RS | Rolling bearing 6203-Z | 1          |
| 2              | 304.21S.013     | 功率输出离合器从动盘总成 | PTO clutch disc assy   | 1          |
| 3              | 304.21S.116     | 副离合器压盘       | Pressure plate         | 1          |
| 4              | 304.21S.118     | 碟形弹簧         | Spring                 | 2          |
| 5              | 304.21S.117     | 固定压盘         | Pressure plate         | 1          |
| 6              | 304.21S.018     | 主离合器从动盘总成    | Main clutch disc assy  | 1          |
| 7              | 184.21S.121     | 调整螺钉         | Adjusting bolt         | 3          |
| 8              | 304.21S.119     | 主离合器压盘       | Main pressure plate    | 1          |
| 9              | 184.21S.122     | 回位弹簧         | Spring                 | 3          |
| 10             | GB/T97.1        | 垫圈10         | Washer 10              | 10         |
| 11             | GB/T6173        | 螺母M10×1      | Nut M10×1              | 6          |
| 12             | 304.21S.120     | 离合器盖         | Cover                  | 1          |
| 13             | 184.21S.123     | 分离杠杆连接叉      | Connecting fork        | 3          |
| 14             | 184.21S.129     | 衬套           | Bush                   | 6          |
| 15             | 304.21S.130     | 分离杠杆         | Release lever          | 3          |
| 16             | GB/T879         | 销8×40        | Pin 8×40               | 3          |
| 17             | GB/T879         | 销5×40        | Pin 5×40               | 3          |
| 18             | GB/T882         | 销轴B10×45     | Axis pin B10×45        | 6          |
| 19             | GB/T91          | 销3.2×16      | Pin 3.2×16             | 8          |
| 20             | 304.21S.103-1   | 离合器拨叉轴       | York shaft             | 1          |
|                | 304.21S.020     | 离合器分离叉轴焊合件   | York shaft             | 1          |
| 21             | 160.20.109      | 分离轴承座弹簧      | Spring                 | 2          |
| 22             | 304.21S.102-1   | 离合器分离叉       | York                   | 1          |



## 续. 双作用离合器总成

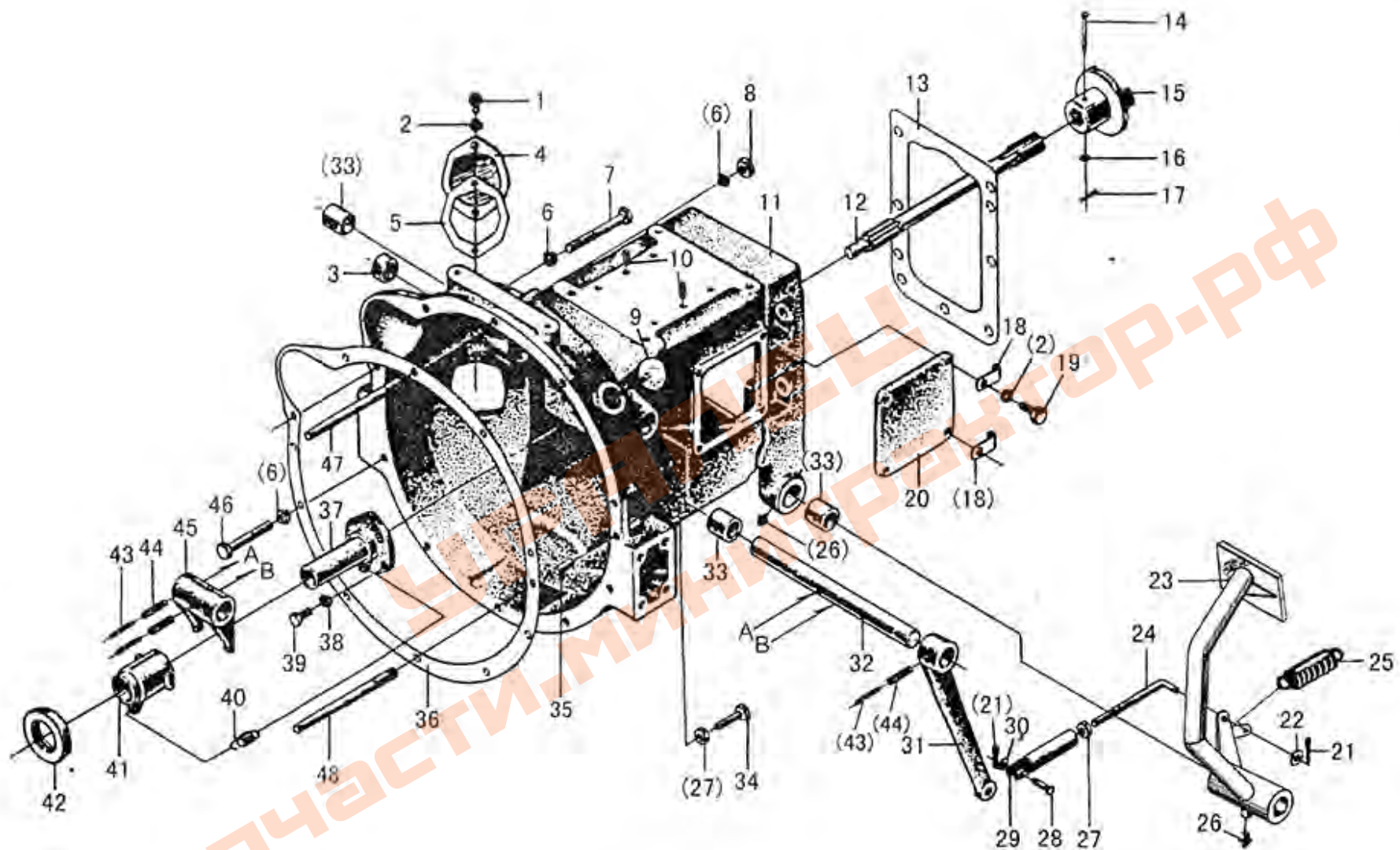
## Cont. Dual Stage Clutch

| 序号<br>Ser. No. | 代号<br>Part No.    | 名称              | Name                                      | 数量<br>Qty. |
|----------------|-------------------|-----------------|---|------------|
| 23             | 304.21S.104-1     | 分离轴承座           | Bearing seat                              | 1          |
| 24             | 非标准(Non-standard) | 滚动轴承996713      | Bearing996713                             | 1          |
| 25             | GB/T5782-1986     | 螺栓M10×70        | Bolt M10×70                               | 6          |
| 26             | GB/T93-1987       | 垫圈10            | Washer 10                                 | 6          |
| 27             | 184.21S.125       | 调整螺母            | Adjusting nut                             | 3          |
| 28             | 184.21S.124       | 调整压紧弹簧          | Spring                                    | 3          |
| 29             | 184.21S.115       | 拉杆              | Pull rod                                  | 3          |
| 30             | 304.21S.106       | 分离轴承座支座         | Support release bearing seat              | 1          |
| 31             | 304.21S.113       | 分离轴承座纸垫         | Paper gasket, release bearing seat        | 1          |
| 32             | 304.21S.143-1     | 复合衬套            | Compound bush                             | 1          |
| 33             | 304.21S.111       | 主离合器轴           | Main clutch shaft                         | 1          |
| 34             | GB/T9877.1        | 油封FB35×55×8     | Oil seal FB35×55×8                        | 1          |
| 35             | GB/T296           | 轴承3207-2Z       | Bearing 3207-2Z                           | 1          |
| 36             | 304.21S.150       | 挡圈40            | Circlip for shaft 40                      | 1          |
| 37             | 304.21S.109       | 主离合器联轴节主动套      | Coupling driving sleeve, main clutch      | 1          |
| 38             | 304.21S.131       | 离合器轴            | Secondary clutch shaft                    | 1          |
| 39             | 304.21S.107-1     | 密封套             | Seal sleeve                               | 1          |
| 40             | 304.21S.142-1     | 复合衬套            | Compound bush                             | 1          |
| 41             | 304.37S.245-1     | 轴套              | Bush                                      | 1          |
| 42             | 304.21S.108       | 副离合器轴联轴节主动套     | Coupling driving sleeve, secondary clutch | 1          |
| 43             | GB/T894.1         | 挡圈19            | Circlip for shaft 19                      | 1          |
| 44             | GB/T308           | 钢球10.3188 G400b | Steel ball 10.3188 G400b                  | 4          |
| 45             | GB/T6170          | 螺母M10           | Nut M10                                   | 1          |

## 续. 双作用离合器总成

## Cont. Dual Stage Clutch

| 序号<br>Ser. No. | 代号<br>Part No. | 名称           | Name                            | 数量<br>Qty. |
|----------------|----------------|--------------|---------------------------------|------------|
| 46             | 304.21S.138    | 离合器推杆        | Push rod                        | 1          |
| 47             | GB/T93         | 垫圈8          | Washer 8                        | 3          |
| 48             | GB/T5783       | 螺栓M8×20      | Bolt M8×20                      | 3          |
| 49             | GB/T97.1       | 垫圈8          | Washer 8                        | 1          |
| 50             | 300.21.107     | 离合器推杆调整叉     | Adjusting fork, clutch push rod | 1          |
| 51             | GB/T882        | 销轴B8×30      | Axis pin B8×30                  | 1          |
| 52             | 304.21S.105    | 离合器分离摇臂      | Release rock arm, clutch        | 1          |
| 53             | JB/T7940.1     | 直通式压注油杯M10×1 | Oil cup M10×1                   | 1          |
| 54             | 160.21.105     | 离合器踏板弹簧      | Pedal return spring             | 1          |
| 55             | 300.21.015A    | 离合器踏板组零件     | Clutch pedal assembly           | 1          |



过桥  
Intermediate Axle

## 过桥

## Intermediate Axle

| 序号<br>Ser. No. | 代号<br>Part No. | 名称           | Name  | 数量<br>Qty. |
|----------------|----------------|--------------|---|------------|
| 1              | GB/T5783       | 螺栓M10×20     | Bolt M10×20                                     | 2          |
| 2              | GB/T93         | 垫圈10         | Spring lock washer 10                           | 6          |
| 3              | 300.21.115     | 衬套           | Bush  | 1          |
| 4              | 300.21.141     | 盖板           | Cover plate                                     | 1          |
| 5              | 300.21.142     | 盖板纸垫         | Paper gasket,cover plate                        | 1          |
| 6              | GB/T93         | 垫圈12         | Spring lock washer 12                           | 10         |
| 7              | GB/T5782       | 螺栓M12×95-8.8 | Bolt M12×95-8.8                                 | 1          |
| 8              | GB/T6175       | 螺母M12        | Nut M12   | 4          |
| 9              | 300.21.229     | 螺塞           | Plug  | 1          |
| 10             | GB/T119        | 圆柱销D8×16     | Parallel pin D8×16                              | 2          |
| 11             | 300.21.114-1   | 过桥壳体         | Intermediate axle housing                       | 1          |
| 12             | 350.21.131     | 离合器轴         | Clutch shaft                                    | 1          |
| 13             | 300.21.140     | 过桥-变速箱纸垫     | Paper gasket,intermediate axle and transmission | 1          |
| 14             | 300.21.146     | 联轴节销         | Coupling pin                                    | 1          |
| 15             | 300.21.143     | 主动联轴节        | Driving coupling                                | 1          |
| 16             | GB/T97.1       | 垫圈5          | Plain washer 5                                  | 1          |
| 17             | GB/T91         | 开口销2×12      | Split pin 2×12                                  | 1          |
| 18             | 300.21.215     | 线夹(2)        | Clip (2)  | 2          |
| 19             | GB/T5783       | 螺栓M10×25     | Bolt M10×25                                     | 4          |
| 20             | 300.21.112     | 盖板           | Cover plate                                     | 1          |
| 21             | GB/T91         | 开口销3.2×16    | Split pin 3.2×16                                | 2          |
| 22             | GB/T97.1       | 垫圈10         | Plain washer 10                                 | 1          |

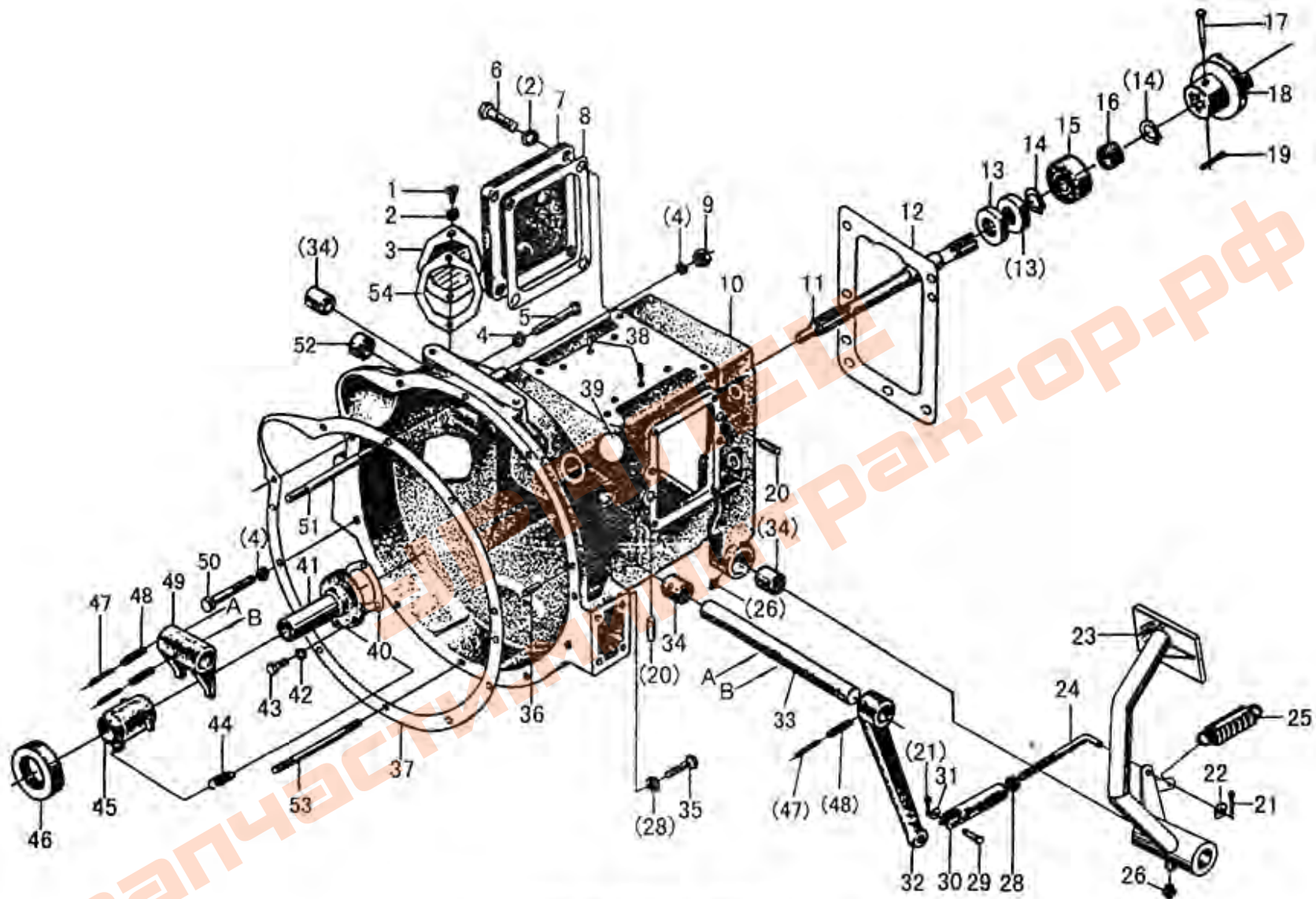
## Cont. Intermediate Axle

| 序号<br>Ser. No. | 代号<br>Part No.    | 名称                 | Name                               | 数量<br>Qty. |
|----------------|-------------------|--------------------|------------------------------------|------------|
| 23             | 300.21.015-2      | 离合器踏板焊合作           | Clutch pedal assembly              | 1          |
| 24             | 300.21.106        | 离合器推杆              | Clutch push rod                    | 1          |
| 25             | 160.21.105        | 离合器踏板弹簧            | Pedal return spring                | 1          |
| 26             | JB/T7940.1        | 直通式压注油杯M10×1       | Oil cup M10×1                      | 3          |
| 27             | GB/T6170          | 螺母M10              | Nut M10                            | 2          |
| 28             | GB/T882           | 销轴B8×30            | Clevis pin with head B8×30         | 1          |
| 29             | 300.21.107        | 离合器推杆调整叉           | Adjusting fork,clutch push rod     | 1          |
| 30             | GB/T197.1         | 垫圈8                | Plain washer 8                     | 1          |
| 31             | 300.21.105        | 离合器分离摇臂            | Release rock arm,clutch            | 1          |
| 32             | 350.21.103        | 离合器分离叉轴            | Release fork shaft,clutch          | 1          |
|                | 350.21.020        | 离合器分离叉轴焊合作-----防掉档 | Release fork shaft,clutch          | 1          |
| 33             | 160.21.118        | 离合器踏板轴衬套           | Bush                               | 3          |
| 34             | GB/T5783          | 螺栓M10×45           | Bolt M10×45                        | 1          |
| 35             | GB/T119           | 销D12×25            | Parallel pin D12×24                | 2          |
| 36             | 300.21.111        | 过桥纸垫               | Paper gasket,intermediate axle     | 1          |
| 37             | 350.21.101-1      | 分离轴承座支座            | Support,release bearing seat       | 1          |
| 38             | GB/T193           | 垫圈8                | Spring lock washer 8               | 3          |
| 39             | GB/T5783          | 螺栓M8×20            | Bolt M8×20                         | 3          |
| 40             | 160.21.109        | 分离轴承座弹簧            | Return spring,release bearing seat | 1          |
| 41             | 350.21.130        | 分离轴承座              | Return bearing seat                | 1          |
| 42             | 非标准(Non-standard) | 轴承986911           | Rolling bearing 996911             | 1          |
| 43             | GB/T879           | 销5×40              | Pin 5×40                           | 3          |
| 44             | GB/T879           | 销8×40              | Pin 8×40                           | 3          |

续. 过桥

Cont. Intermediate Axle

| 序号<br>Ser. No. | 代 号<br>Part No. | 名 称                | Name                  | 数量<br>Qty. |
|----------------|-----------------|--------------------|-----------------------|------------|
| 45             | 304.21S.102-1   | 离合器分离叉             | Clutch release fork   | 1          |
| 46             | GB/T5782        | 螺栓M12×80-8.8       | Bolt M12×80-8.8       | 5          |
| 47             | GB/T898         | 螺柱AM12-M12×100-8.8 | Stud AM12-M12×100-8.8 | 1          |
| 48             | GB/T898         | 螺柱AM12-M12×190-8.8 | Stud AM12-M12×190-8.8 | 3          |



过桥 (四轮驱动 + 单作用)  
 Intermediate Axle (4WD and Single Stage Clutch)

## 过桥 (四轮驱动+单作用)

## Intermediate Axle (4WD and Single stage clutch)

| 序号<br>Ser. No. | 代号<br>Part No. | 名称                | Name  | 数量<br>Qty. |
|----------------|----------------|-------------------|---|------------|
| 1              | GB/T5783       | 螺栓M10×20          | Bolt M10×20   | 2          |
| 2              | GB/T93         | 垫圈10              | Spring lock washer 10                                   | 6          |
| 3              | 300.21.141     | 盖板                | Cover plate   | 1          |
| 4              | GB/T93         | 垫圈12              | Spring lock washer 12                                   | 10         |
| 5              | GB/T5782       | 螺栓M12×95-8.8      | Bolt M12×95-8.8   | 1          |
| 6              | GB/T5783       | 螺栓M10×25          | Bolt M10×25   | 4          |
| 7              | 300.21.112     | 盖板                | Cover plate   | 1          |
| 8              | 300.21.230     | 盖板纸垫              | Paper gasket,cover plate                                | 1          |
| 9              | GB/T6175       | 螺母M12             | Nut M12   | 4          |
| 10             | 304.21.114-1   | 过桥壳体              | Intermediate axle housing                               | 1          |
| 11             | 354.21.131     | 离合器轴              | Clutch shaft  | 1          |
| 12             | 300.21.140     | 过桥-变速箱纸垫          | Paper gasket between intermediate axle and transmission | 1          |
| 13             | GB/T9877.1     | 旋转轴唇形密封圈FB30×50×8 | Oil Seal FB30×50×8                                      | 2          |
| 14             | GB/T894.1      | 挡圈30              | Circclip for shaft 30                                   | 2          |
| 15             | GB/T1276       | 轴承6206            | Rolling bearing 6206                                    | 1          |
| 16             | 304.21.302     | 隔离套               | Spacing sleeve  | 1          |
| 17             | 300.21.146     | 联轴节销              | Coupling pin  | 1          |
| 18             | 300.21.143     | 主动联轴节             | Driving coupling  | 1          |
| 19             | GB/T191        | 销2×12             | Split pin 2×12  | 1          |
| 20             | GB/T119        | 销D10×22           | Parallel pin D10×22                                     | 4          |
| 21             | GB/T191        | 销3.2×16           | Split pin 3.2×16  | 2          |



## 续. 过桥 (四轮驱动+单作用)

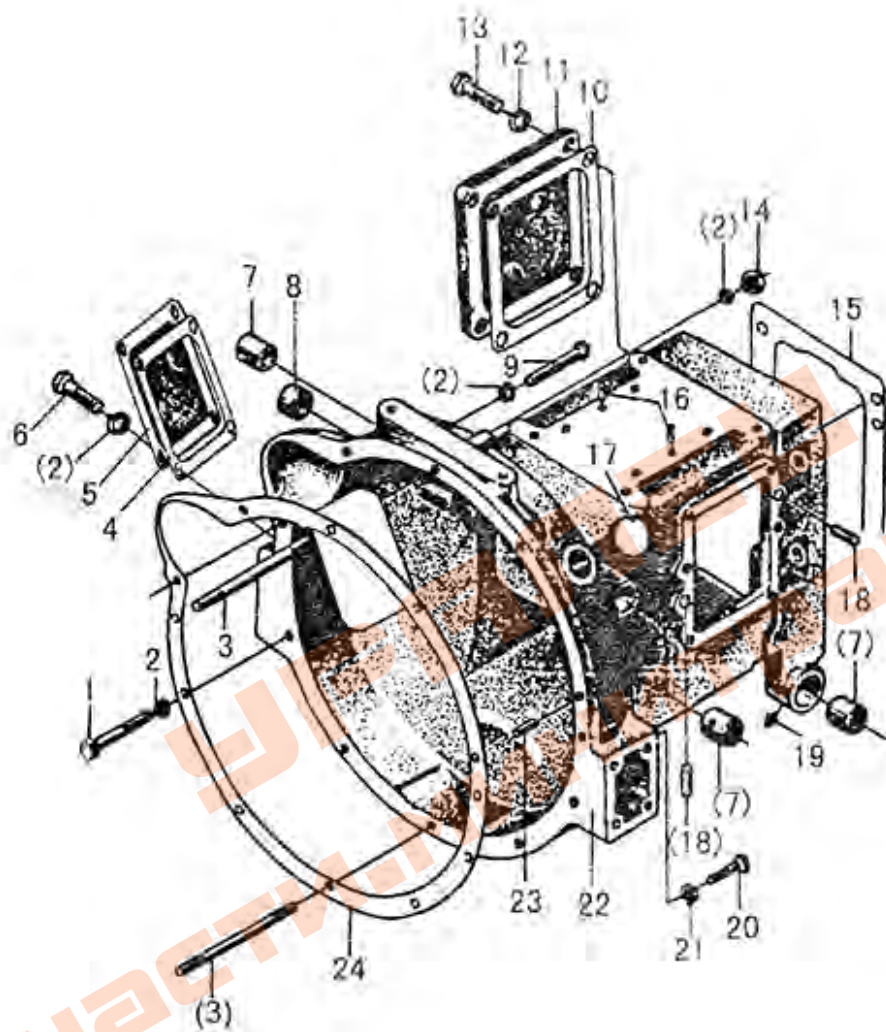
## Cont. Intermediate Axle (4WD and Single stage clutch)

| 序号<br>Ser. No. | 代号<br>Part No. | 名称                 | Name                              | 数量<br>Qty. |
|----------------|----------------|--------------------|-----------------------------------|------------|
| 22             | GB/T97.1       | 垫圈10               | Plain washer 10                   | 1          |
| 23             | 300.21.015-2   | 离合器踏板焊合件           | Clutch pedal                      | 1          |
|                | 304.21.015     | 离合器踏板焊合件(配液压转向)    | Clutch pedal (For Power Steering) | 1          |
| 24             | 300.21.106     | 离合器推杆              | Clutch push rod                   | 1          |
| 25             | 160.21.105     | 离合器踏板弹簧            | Pedal return spring               | 1          |
| 26             | JB/T7940.1     | 直通式压注油杯M10×1       | Oil cup M10×1                     | 3          |
| 28             | GB/T6170       | 螺母M10              | Nut M10                           | 2          |
| 29             | GB/T882        | 销轴B8×30            | Clevis pin with head B8×30        | 1          |
| 30             | 300.21.107     | 离合器推杆调整叉           | Adjusting fork,clutch push rod    | 1          |
| 31             | GB/T97.1       | 垫圈8                | Plain washer 8                    | 1          |
| 32             | 300.21.105     | 离合器分离摇臂            | Release rock arm,clutch           | 1          |
| 33             | 350.21.103     | 离合器分离叉轴            | Release fork shaft,clutch         | 1          |
|                | 350.21.020     | 离合器分离叉轴焊合件-----防掉档 | Release fork shaft,clutch         | 1          |
| 34             | 160.21.118     | 离合器踏板轴衬套           | Bush                              | 3          |
| 35             | GB/T5783       | 螺栓M10×45           | Bolt M10×45                       | 1          |
| 36             | GB/T119        | 销D12×25            | Parallel pin D12×25               | 2          |
| 37             | 300.21.111     | 过桥纸垫               | Paper gasket,intermediate axle    | 1          |
| 38             | GB/T119        | 销D8×16             | Parallel pin D8×16                | 2          |
| 39             | 300.21.229     | 螺塞                 | Plug                              | 1          |
| 40             | 304.21.241     | 分离轴承座纸垫            | Paper gasket,release bearing seat | 1          |
| 41             | 354.21.101-1   | 分离轴承座支座            | Support release bearing seat      | 1          |
| 42             | GB/T93         | 垫圈8                | Spring lock washer 8              | 3          |

## 续. 过桥 (四轮驱动+单作用)

## Cont. Intermediate Axle (4WD and Single stage clutch )

| 序号<br>Ser. No. | 代 号<br>Part No. | 名 称                | Name                               | 数量<br>Qty. |
|----------------|-----------------|--------------------|------------------------------------|------------|
| 43             | GB/T5783        | 螺栓M8×20            | Bolt M8×20                         | 3          |
| 44             | 160.21.109      | 分离轴承座回位弹簧          | Return spring,release bearing seat | 1          |
| 45             | 350.21.130      | 分离轴承座              | Release bearing seat               | 1          |
| 46             | D18-996911      | 轴承986911           | Rolling bearing 996911             | 1          |
| 47             | GB/T879         | 销5×40              | Pin 5×40                           | 3          |
| 48             | GB/T879         | 销8×40              | Pin 8×40                           | 3          |
| 49             | 304.21S.102-1   | 离合器分离叉             | Clutch release fork                | 1          |
| 50             | GB/T5782        | 螺栓M12×80-8.8       | Bolt M12×80-8.8                    | 5          |
| 51             | GB/T898         | 螺柱AM12-M12×100-8.8 | Stud AM12-M12×100-8.8              | 1          |
| 52             | 300.21.115      | 衬套                 | Bush                               | 1          |
| 53             | GB/T898         | 螺柱AM12-M12×190-8.8 | Stud AM12-M12×190-8.8              | 3          |
| 54             | 300.21.142      | 盖板纸垫               | Paper gasket,cover plate           | 1          |



过桥（双作用离合器）

Intermediate Axle (Dual Stsge Clutch)

## 过桥(双作用离合器)

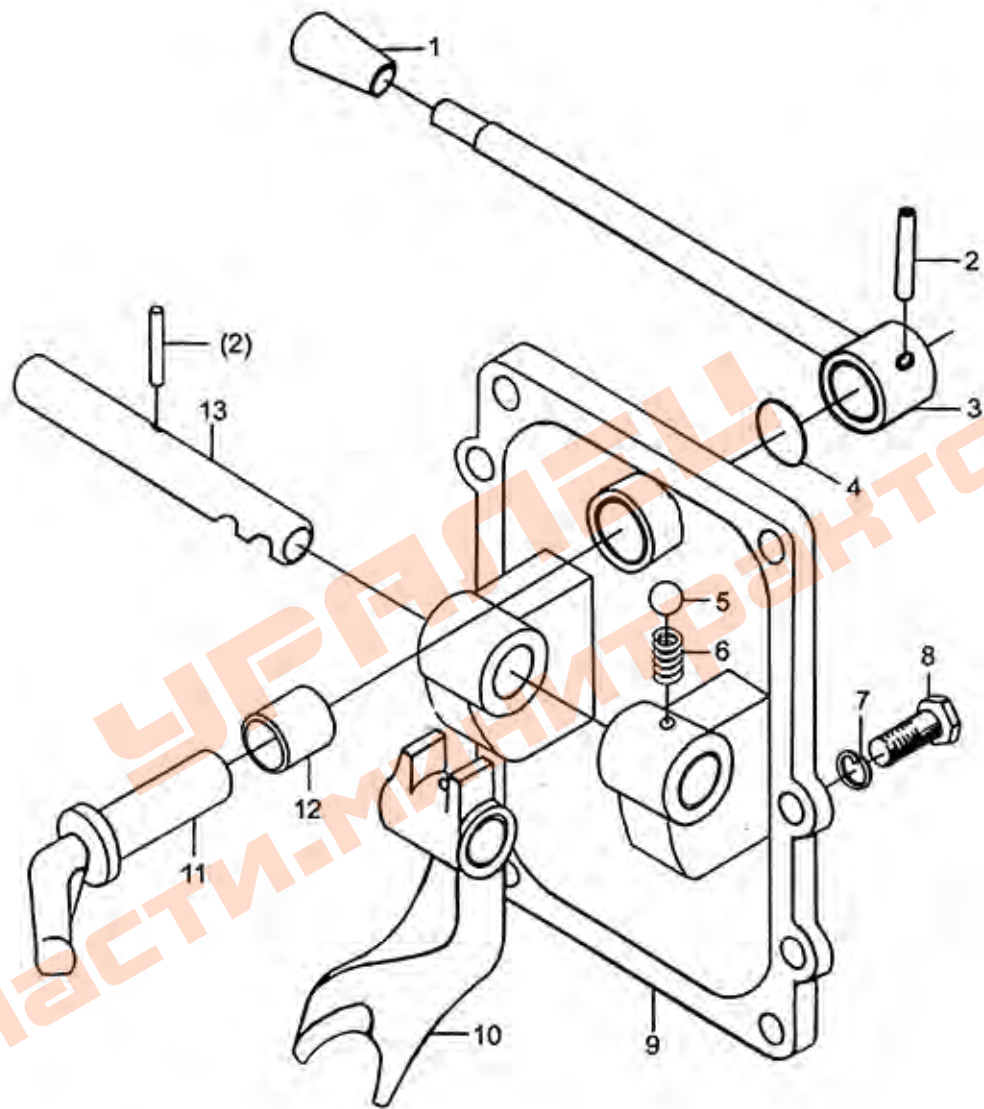
## Intermediate Axle (Dual Stsge Clutch)

| 序号<br>Ser. No. | 代号<br>Part No. | 名称                 | Name   | 数量<br>Qty. |
|----------------|----------------|--------------------|--|------------|
| 1              | GB/T5782       | 螺栓M12×45-10.9      | Blot M12×45-10.9   | 5          |
| 2              | GB/T93         | 垫圈12               | Spring lock washer 12                                      | 10         |
| 3              | GB/T898        | 螺柱AM12-M12×100-8.8 | Stud AM12-M12×100-8.8                                      | 4          |
| 4              | 304.21S.145    | 盖板纸垫               | Paper gasket,cover plate                                   | 1          |
| 5              | 304.21S.146    | 窗口盖板               | Cover plate  | 1          |
| 6              | GB/T5783       | 螺栓M12×20           | Blot M12×20  | 4          |
| 7              | 160.21.118     | 离合器踏板轴衬套           | Bush   | 3          |
| 8              | 300.21.115     | 衬套                 | Bush   | 1          |
| 9              | GB/T5782       | 螺栓M12×50-10.9      | Bolt M12×50-10.9   | 1          |
| 10             | 300.21.230     | 盖板纸垫               | Paper gasket,cover plate                                   | 1          |
| 11             | 300.21.112     | 盖板                 | Cover plate  | 1          |
| 12             | GB/T93         | 垫圈10               | Spring lock washer 10                                      | 4          |
| 13             | GB/T5783       | 螺栓M10×25           | Blot M10×25  | 4          |
| 14             | GB/T6175       | 螺母M12              | Nut M12  | 4          |
| 15             | 300.21.140     | 过桥-变速箱纸垫           | Paper gasket between intermediate<br>axle and transmission | 1          |
| 16             | GB/T119        | 销D8×16             | Parallel pin D8×16   | 2          |
| 17             | 300.21.229     | 螺塞                 | Plug   | 1          |
| 18             | GB/T119        | 销D10×22            | Parallel pin D10×22  | 4          |
| 19             | JB/T7940.1     | 直通式压注油杯M10×1       | Oil cup M10×1  | 3          |
| 20             | GB/T5783       | 螺栓M10×45           | Blot M10×45  | 1          |
| 21             | GB/T6170       | 螺母M10              | Nut M10  | 1          |
| 22             | 304.21S.114-1  | 过桥壳体               | Intermediate axle housing                                  | 1          |

## 续.过桥(双作用离合器)

## Cont Intermediate Axle (Dual Stsge Clutch)

| 序号<br>Ser. No. | 代号<br>Part No. | 名称      | Name                           | 数量<br>Qty. |
|----------------|----------------|---------|--------------------------------|------------|
| 23             | GB/T119        | 销D12×25 | Parallel pin D12×25            | 2          |
| 24             | 300.21.111     | 过桥纸垫    | Paper gasket,intermediate axle | 1          |

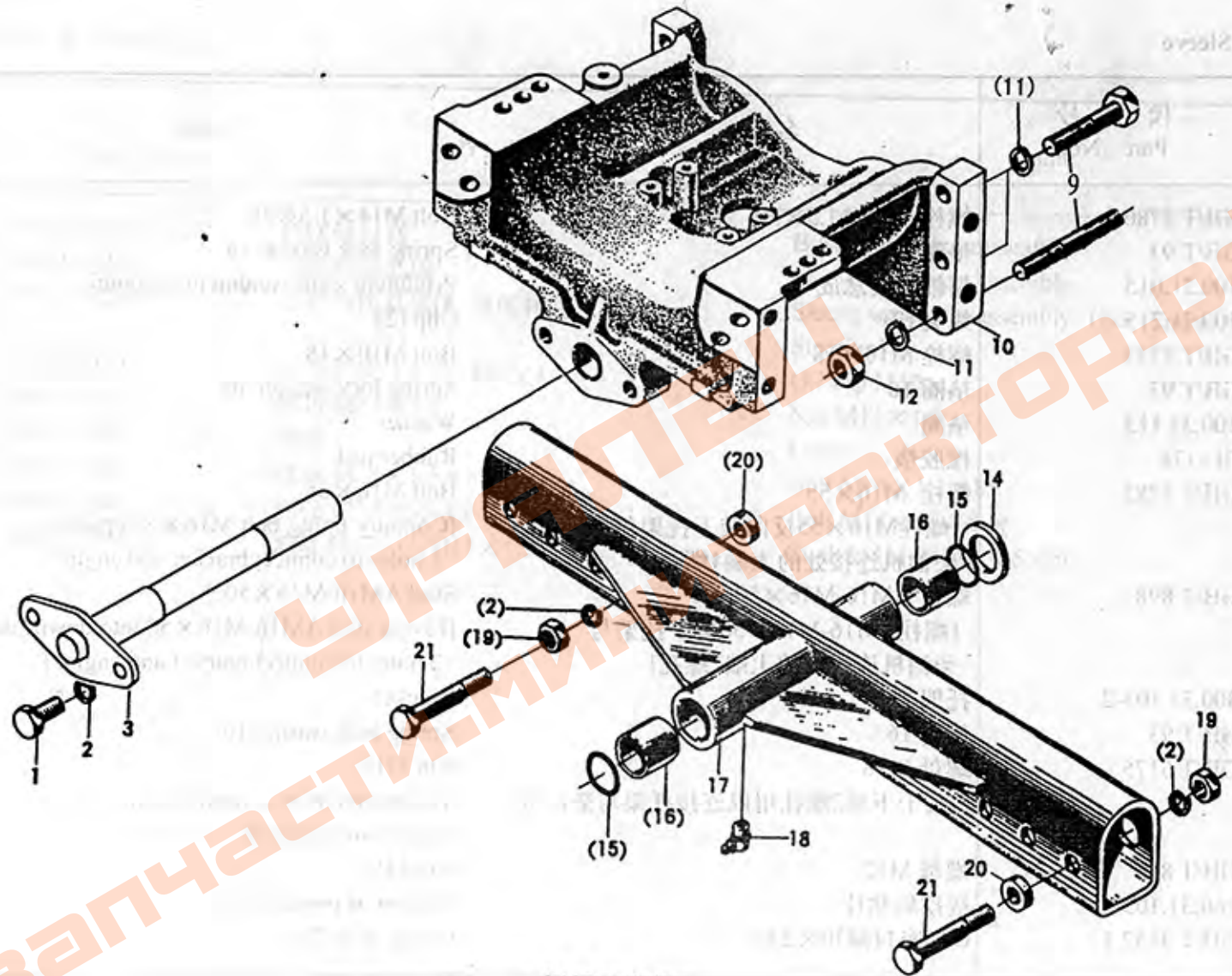


前驱动拨叉（四轮驱动）  
Front Drive Release Fork(Four wheel drive)

## 前驱动拨叉 (四轮驱动)

## Front Drive Release Fork (Four wheel drive)

| 序号<br>Ser. No. | 代 号<br>Part No. | 名 称            | Name                              | 数 量<br>Qty. |
|----------------|-----------------|----------------|-----------------------------------|-------------|
| 1              | 184.37.043      | 前驱动手柄球         | Handle control lever assembly     | 1           |
| 2              | GB/T1879        | 销5×24          | Pin 5×24                          | 2           |
| 3              | 304.21.020-2    | 操纵杆焊合作件        | Control rod weldment assembly     | 1           |
| 4              | GB/T3452.1      | O形密封圈15×2.65   | O-ring 15×2.65                    | 1           |
| 5              | GB/T308         | 钢球8.7312 G400b | Steel ball 8.7312-G400b           | 1           |
| 6              | 160.37.148      | 拨叉轴锁定弹簧        | Locking spring,release fork shaft | 1           |
| 7              | GB/T93          | 垫圈10           | Spring lock washer 10             | 6           |
| 8              | GB/T5783        | 螺栓M10×25       | Bolt M10×25                       | 6           |
| 9              | 304.21.237-2    | 拨叉总成座板         | Seat plate,release fork assembly  | 1           |
| 10             | 304.21.233      | 前驱动拨叉          | Front drive release fork          | 1           |
| 11             | 304.21.234      | 拨头轴            | Shaft,release fork head           | 1           |
| 12             | 304.21.235      | 轴套             | Bush                              | 1           |
| 13             | 304.21.236      | 前驱动拨叉轴         | Shaft,front drive release fork    | 1           |



托架及套管  
Bracket & Sleeve



## 托架及套管

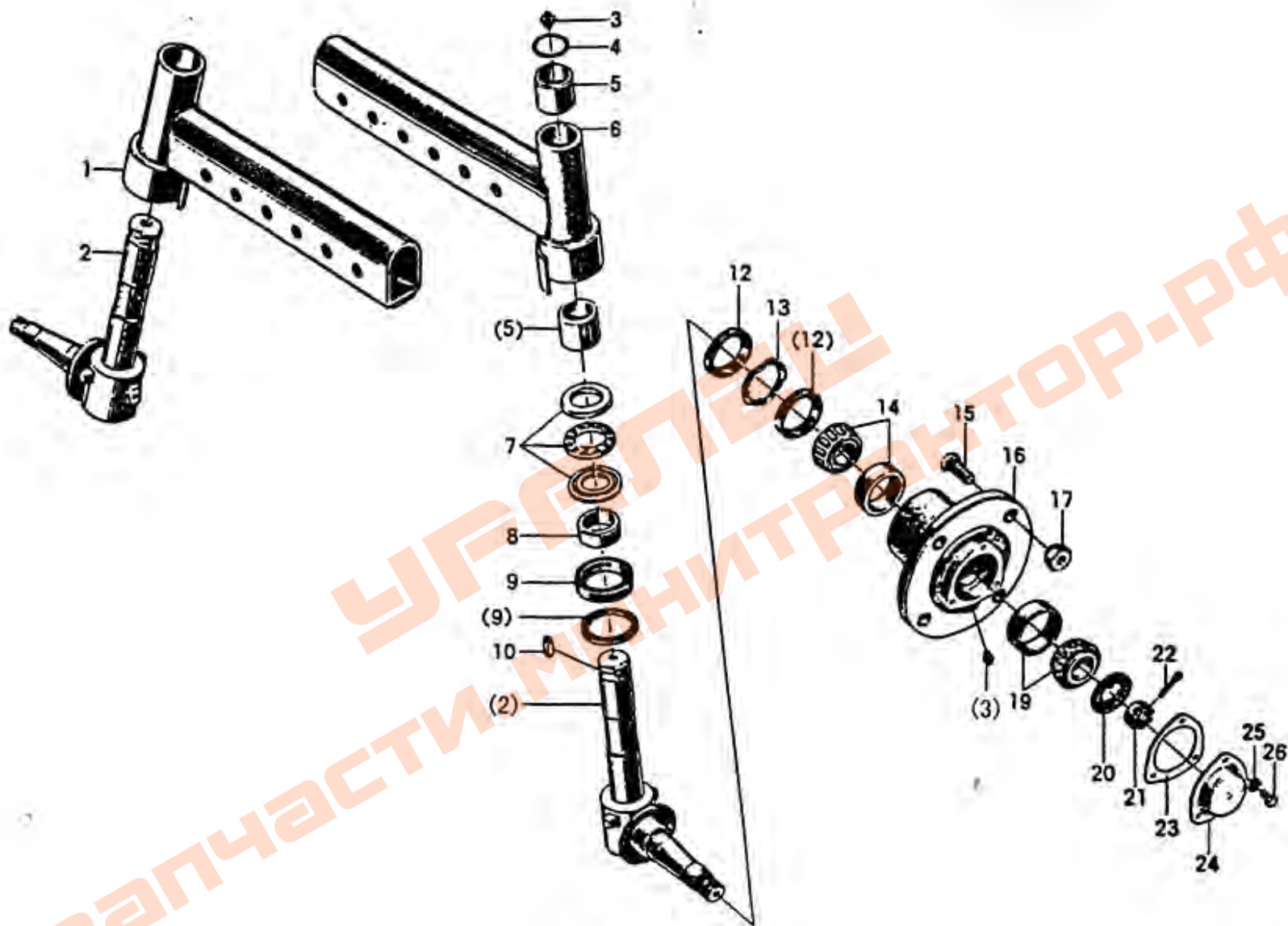
## Bracket &amp; Sleeve

| 序号<br>Ser. No. | 代 号<br>Part No. | 名 称                                  | Name   | 数量<br>Qty. |
|----------------|-----------------|--------------------------------------|--|------------|
| 1              | GB/T 5786       | 螺栓 M14×1.5×30                        | Bolt M14×1.5×30  | 2          |
| 2              | GB/T 93         | 垫圈 14                                | Spring lock washer 14  | 12         |
| 3              | 300.31.015      | 摆轴焊接总成                               | Pendulum shaft weldment assembly   | 1          |
| 4              | 300.21.215      | 线夹 (2)                               | Clip (2)   | 1          |
| 5              | GB/T 5781       | 螺栓 M10×18                            | Bolt M10×18  | 1          |
| 6              | GB/T 93         | 垫圈 10                                | Spring lock washer 10  | 1          |
| 7              | 300.31.113      | 垫圈                                   | Washer   | 2          |
| 8              | BL-178          | 橡胶垫                                  | Rubber pad   | 2          |
| 9              | GB/T 5782       | 螺栓 M16×55                            | Bolt M16×55  | 4          |
|                |                 | [螺栓M16×55反向装于托架与<br>柴油机连接处的上端4螺孔]    | [Contrary fixing bolt M16×55 upside<br>4 holes to connect bracket and engine]    |            |
|                | GB/T 898        | 螺柱 AM16-M16×50                       | Stud AM16-M16×50   | 2          |
|                |                 | [螺柱AM16-M16×50装于托架与<br>柴油机连接处的上端2螺孔] | [Fixing stud AM16-M16×50 into downside<br>2 holes to connect bracket and engine] |            |
| 10             | 300.31.101-2    | 托架                                   | Bracket  | 1          |
| 11             | GB/T 93         | 垫圈 16                                | Spring lock washer 16  | 6          |
| 12             | GB/T 6175       | 螺母 M16                               | Nut M16  | 2          |
|                |                 | [装于下端2螺柱用以连接托架与柴油机]                  | [fixing nut M16 to downside to connect<br>bracket and engine]                    |            |
| 13             | GB/T 889        | 螺母 M12                               | Nut M12  | 2          |
| 14             | 160.31.103      | 摇摆轴垫片                                | Washer of pendulum shaft   | 1          |
| 15             | GB/T 3452.1     | O形密封圈30×2.65                         | O-ring 30×2.65   | 2          |

## 续. 托架及套管

## Cont. Bracket &amp; Sleeve

| 序号<br>Ser. No. | 代号<br>Part No.        | 名称<br>Name                          | 数量<br>Qty.                                    |   |
|----------------|-----------------------|-------------------------------------|---|---|
| 16             | 300.31.118            | 摇摆轴衬套                               | Bush of pendulum shaft                        | 2 |
| 17             | 300.31.020            | 套管焊接总成                              | Sleeve weldment assembly                      | 1 |
|                | 300.31.020A           | 套管焊接总成(配液压转向)                       | Sleeve weldment assembly (For Power Steering) | 1 |
| 18             | GB/T 7940.2           | 直通式压注油杯M10×1                        | Oil cup M10×1                                 | 1 |
| 19             | GB/T 6176             | 螺母 M14×1.5                          | Nut M14×1.5                                   | 6 |
| 20             | 220.31.105            | 热套                                  | Liner   | 6 |
| 21             | GB/T 5785             | 螺栓 M14×1.5×85                       | Bolt M14×1.5×85                               | 6 |
| 22             | GB/T 5782<br>或GB/T898 | 螺栓 M14×55-8.8<br>或螺柱AM14-M14×1.5×50 | Bolt M14×55-8.8 or<br>Stud AM14-M14×1.5×50    | 4 |



付套管及前轮毂  
Front Axle Arm & Front Wheel Hub

## 付套管及前轮毂

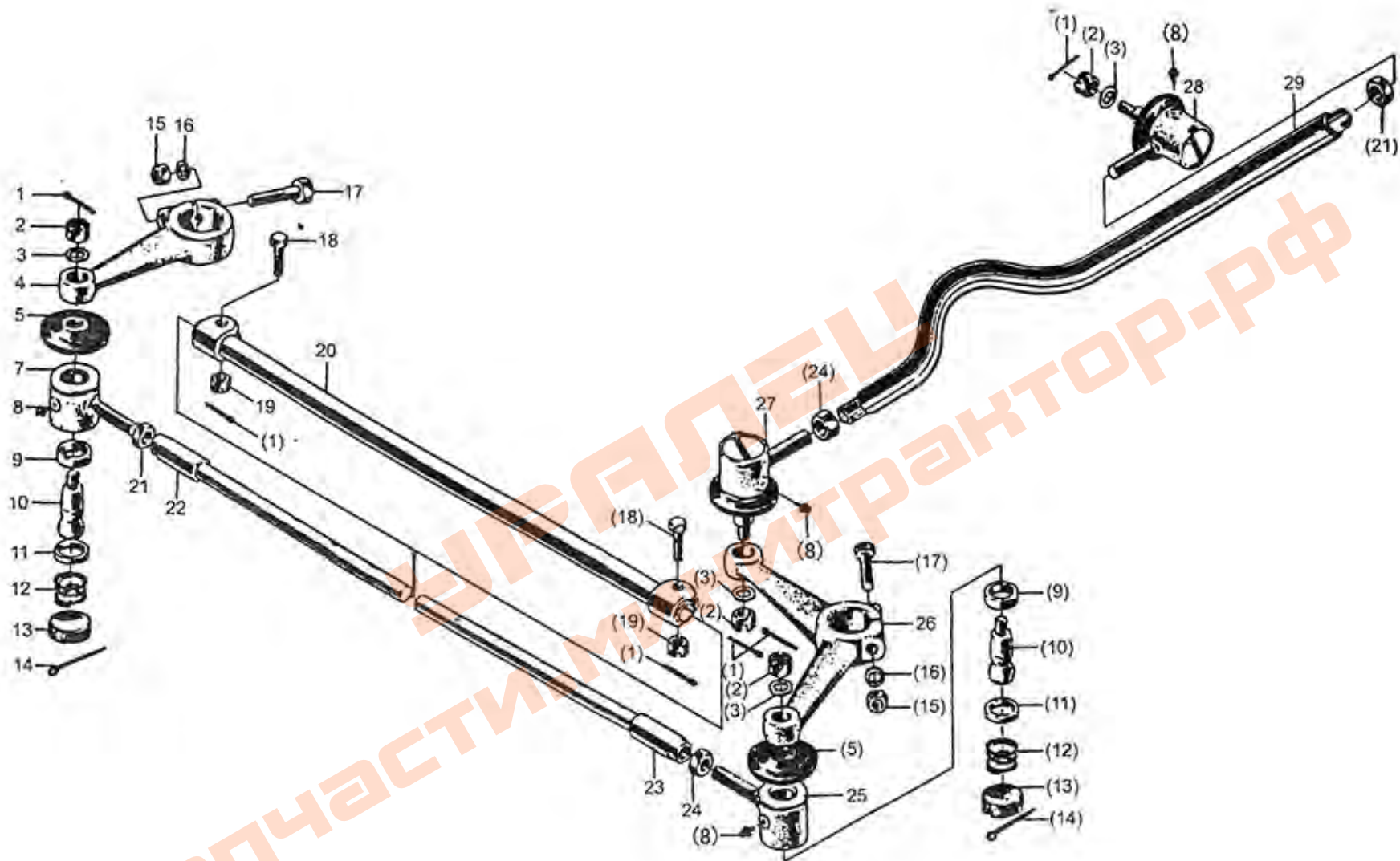
## Front Axle Arm &amp; Front Wheel Hub

| 序号<br>Ser. No. | 代 号<br>Part No.                          | 名 称                                  | Name  | 数量<br>Qty.  |
|----------------|--|--------------------------------------|---|-------------|
| 1              | 300.31.022-1<br>300.31.022B              | 付套管焊接总成(右)<br>付套管焊接总成(右)(高地隙)        | Front axle arm weldment assembly(Right)<br>Front axle arm weldment assembly(Right)<br>(For high ground clearance)                               | 1<br>1      |
| 2              | 300.31.014<br>300.31.014A<br>300.31.014B | 转向节总成<br>左转向节总成(配液压转向)<br>转向节总成(高地隙) | Steering knuckle assembly<br>Left-Steering knuckle assembly<br>(For Power Steering)<br>Steering knuckle assembly<br>(For high ground clearance) | 2<br>1<br>2 |
| 3              | JB/T 7940.1                              | 直通式压注油杯M10×1                         | Oil cup M10×1   | 4           |
| 4              | GB/T 3452.1<br>GB 19877.1                | O型密封圈34.5×3.55<br>油封FB35×50×8(高地隙)   | O-ring 34.5×3.55<br>Oil seal FB35×50×8<br>(For high ground clearance)   | 2<br>2      |
| 5              | 300.31.123                               | 转向节衬管                                | Bush  | 4           |
| 6              | 300.31.021-1<br>300.31.021B              | 付套管焊接总成(左)<br>付套管焊接总成(左)(高地隙)        | Front axle arm weldment assembly(Left)<br>Front axle arm weldment assembly(Left)<br>(For high ground clearance)                                 | 1<br>1      |
| 7              | GB/T 301                                 | 滚动轴承51207                            | Rolling bearing 51207   | 2           |
| 8              | 300.31.110                               | 肩套                                   | Rubber pad  | 2           |
| 9              | GB/T 9877.1                              | 油封FB45×65×8                          | Oil seal FB45×65×8  | 4           |
| 10             | GB/T 1096                                | 键 10×25                              | Key 10×25   | 2           |
| 11             |  |                                      |   |             |
| 12             | 300.31.111                               | 油封 40×64×8                           | Oil seal 40×64×8  | 4           |
| 13             | 300.31.112                               | 油封隔离圈                                | Spacing ring, oil seal  | 2           |

## 续. 付套管及前轮毂

## Cont. Front Axle Arm &amp; Front Wheel Hub

| 序号<br>Ser. No. | 代号<br>Part No. | 名称          | Name                  | 数量<br>Qty. |
|----------------|----------------|-------------|-----------------------|------------|
| 14             | GB/T 297       | 滚动轴承32206   | Rolling bearing 32206 | 2          |
| 15             | 300.39.113     | 螺栓          | Wheel fixing screw    | 8          |
| 16             | 300.31.105     | 前轮毂         | Front wheel hub       | 2          |
| 17             | 300.39.114     | 螺母          | Wheel fixing nut      | 8          |
| 19             | GB/T 297       | 滚动轴承30305   | Rolling bearing 30305 | 2          |
| 20             | 300.31.107     | 挡圈          | Washer                | 2          |
| 21             | 300.31.108     | 调整螺母M22×1.5 | Nut M22×1.5           | 2          |
| 22             | GB/T 91        | 开口销 5×40    | Split pin 5×40        | 2          |
| 23             | 300.31.109     | 纸垫          | Paper gasket          | 2          |
| 24             | 300.31.106     | 轴承盖         | Bearing cap           | 2          |
| 25             | GB/T 93        | 垫圈 6        | Spring lock washer 6  | 6          |
| 26             | GB/T 5781      | 螺栓 M6×12    | Bolt M6×12            | 6          |



纵横拉杆  
Drag Link & Tie Rod

纵横拉杆

Drag Link & Tie Rod

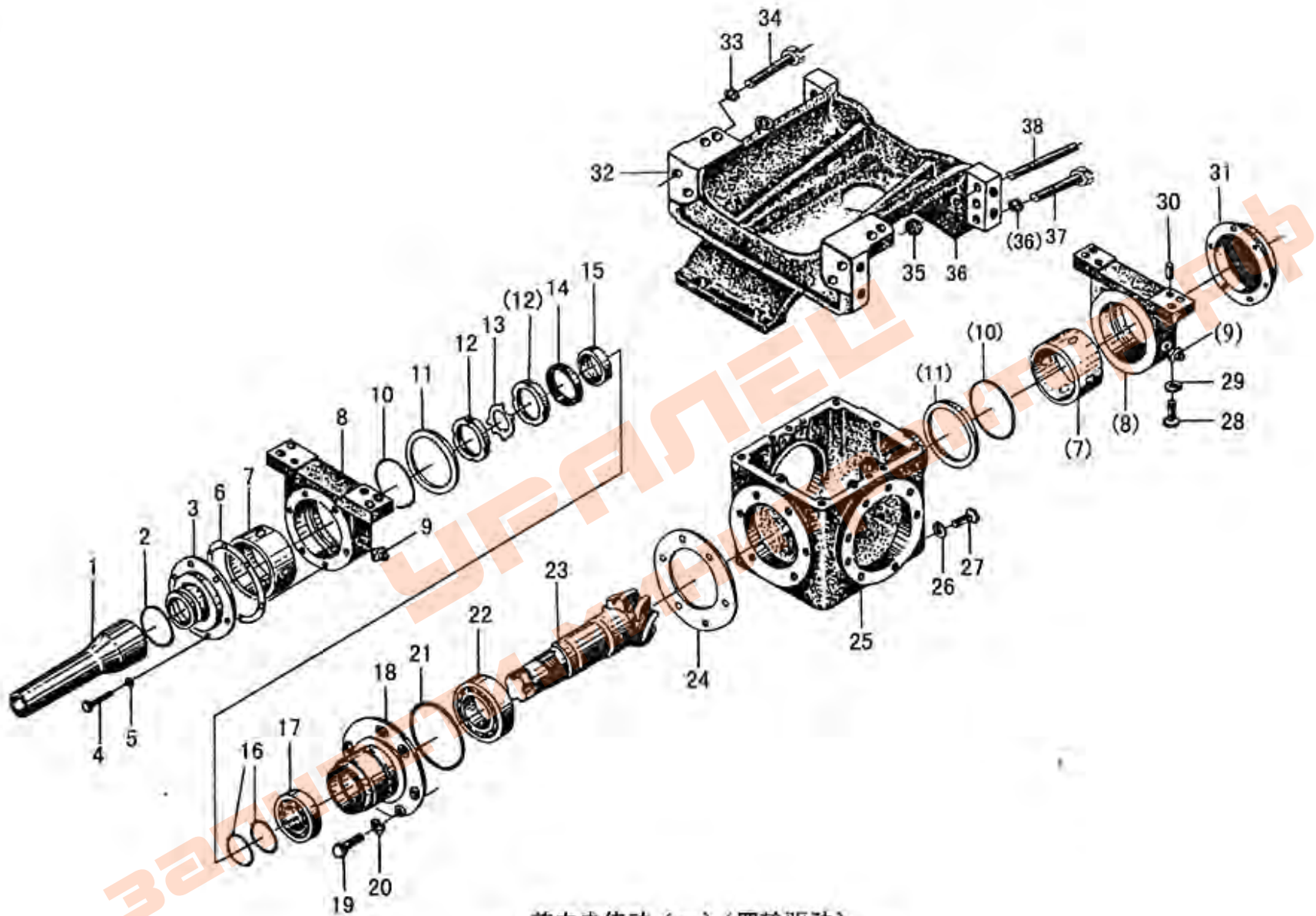
| 序号<br>Ser. No. | 代号<br>Part No. | 名称            | Name   | 数量<br>Qty. |
|----------------|----------------|---------------|--|------------|
| 1              | GB/T 91        | 开口销 3.2×26    | Split pin 3.2×26                                     | 6          |
| 2              | GB/T 9459      | 螺母 M12×1.5    | Nut M12×1.5  | 4          |
| 3              | GB/T 97.1      | 垫圈 12         | Plain washer 12                                      | 4          |
| 4              | 300.31.104     | 右转向臂          | Right steering knuckle arm                           | 1          |
| 5              | 300.31.145-1   | 接头油封套         | Oil seal boot, joint                                 | 2          |
| 6              |                |               |  |            |
| 7              | 300.31.147-2   | 拉杆接头(右)       | Pull rod joint (Right)                               | 1          |
| 8              | JB/T 7940.1    | 直通式压注油杯 M10×1 | Oil cup M10×1  | 4          |
| 9              | 300.31.140-1   | 球头销座          | Ball pin seat  | 2          |
| 10             | 300.31.139-1   | 球头销           | Ball pin   | 2          |
| 11             | 300.31.141-1   | 球头销盖          | Ball pin cap   | 2          |
| 12             | 300.31.142-1   | 压紧弹簧          | Compression spring                                   | 2          |
| 13             | 300.31.143-1   | 螺旋盖           | Screw cap  | 2          |
| 14             | GB/T 91        | 开口销 2.5×55    | Split pin 2.5×55                                     | 2          |
| 15             | GB/T 6170      | 螺母 M12        | Nut M12  | 2          |
| 16             | GB/T 93        | 垫圈 12         | Spring lock washer 12                                | 2          |
| 17             | GB/T 5782      | 螺栓 M12×70     | Bolt M12×70  | 2          |
| 18             | GB/T 31.1      | 螺栓 M12×45     | Bolt M12×45  | 2          |
| 19             | GB/T 6178      | 螺母 M12        | Nut M12  | 2          |
| 20             | 300.31.023     | 主横拉杆总成        | Main tie rod assembly                                | 1          |
|                | 300.31.023B    | 主横拉杆总成(高地隙)   | Main tie rod assembly<br>(For high ground clearance) | 1          |
| 21             | GB/T 6176      | 螺母 M16×1.5    | Nut M16×1.5  | 2          |

## 续. 纵横拉杆

## Cont. Drag Link &amp; Tie Rod

| 序号<br>Ser. No. | 代 号<br>Part No. | 名 称                    | Name  | 数量<br>Qty. |
|----------------|-----------------|------------------------|---|------------|
| 22             | 300.31.024      | 副横拉杆总成(右)              | Secondary tie rod assembly (Right)                  | 1          |
| 23             | 300.31.025      | 副横拉杆总成(左)              | Secondary tie rod assembly (Left)                   | 1          |
| 24             | GB/T 6176       | 螺母M16×1.5(左)           | Nut M16×1.5 (Left)                                  | 1          |
| 25             | 300.31.146-2    | 拉杆接头(左)                | Pull rod joint (Left)                               | 1          |
| 26             | 300.31.103      | 左转向臂                   | Left steering knuckle arm                           | 1          |
|                | 300.31.310      | 左转向臂 I (配液压转向)         | Left steering knuckle arm I<br>(For Power Steering) | 1          |
| 27             | 300.31.026-1    | 转向接头总成(左)              | Steering joint assembly (Left)                      | 1          |
| 28             | 300.31.027-1    | 转向接头总成(右)              | Steering joint assembly (Right)                     | 1          |
| 29             | 300.31.148B     | 纵拉杆                    | Drag link   | 1          |
|                |                 | 664mm—配SL2105柴油机       | 664mm—For SL2105 engine                             |            |
|                |                 | 820mm—配TY395/TY3100柴油机 | 820mm—For TY395 or TY3100 engine                    |            |
|                |                 | 配4L22T柴油机              | For 4L22T engine                                    |            |
|                |                 | 配ZN390柴油机              | For ZN390 engine                                    |            |
|                | 304.31.024A     | 903mm—配ZN490/4L22BT柴油机 | 903mm—For ZN490 or 4L22BT engine                    |            |





前中央传动 (一) (四轮驱动)  
 Front Central Drive (A) (Four wheel drive)

## 前中央传动(一) (四轮驱动)

## Front Central Drive (A) (Four wheel drive)

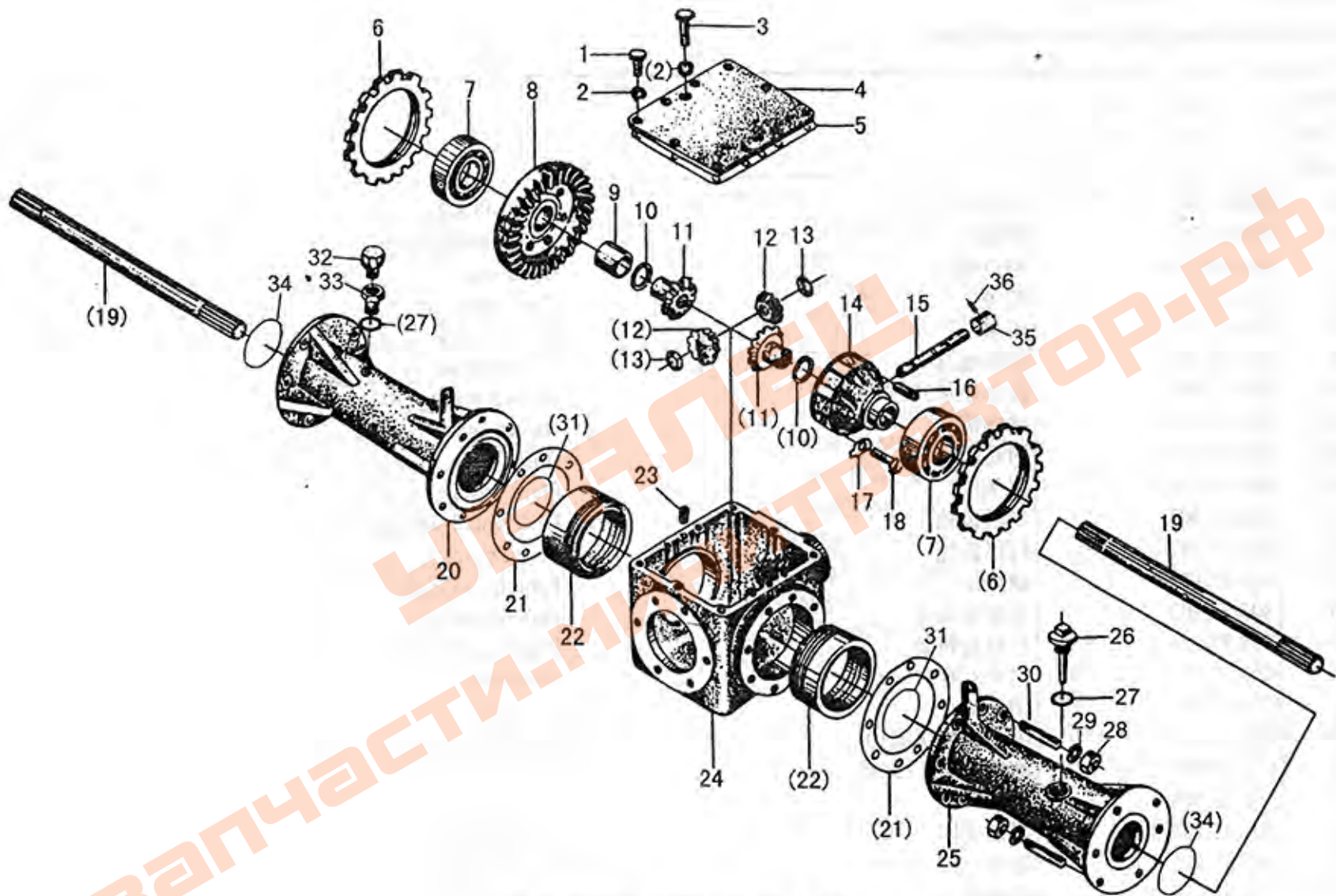
| 序号<br>Ser. No. | 代号<br>Part No. | 名称             | Name                  | 数量<br>Qty. |
|----------------|----------------|----------------|-----------------------|------------|
| 1              | 304.31.014-1   | 防尘罩焊合件         | Dust pipe weldment    | 1          |
| 2              | GB/T 3452.1    | O形密封圈48.7×3.55 | O-ring 48.7×3.55      | 1          |
| 3              | 304.31.211     | 防尘管座           | Dust pipe seat        | 1          |
| 4              | GB/T 5780      | 螺栓M6×12        | Bolt M6×12            | 12         |
| 5              | GB/T 93        | 垫圈6            | Spring lock washer 6  | 12         |
| 6              | 304.31.114     | 纸垫             | Paper gasket          | 2          |
| 7              | 304.31.123-1   | 摆衬             | Pendulum lining       | 2          |
| 8              | 304.31.124     | 摆座             | Pendulum seat         | 2          |
| 9              | JB/T 7940.1    | 直通式压注油杯M10×1   | Oil cup M10×1         | 2          |
| 10             | GB/T 3452.1    | O形密封圈85×2.65   | O-ring 85×2.65        | 2          |
| 11             | 304.31.113     | 止推垫片           | Thrust washer         | 2          |
| 12             | GB/T 810       | 小圆螺母 (M33×1.5) | Nut (M33×1.5)         | 2          |
| 13             | GB/T 858       | 圆螺母用止动垫圈33     | Washer 33             | 1          |
| 14             | GB/T 9877.1    | 油封FB45×70×8    | Oil seal FB45×70×8    | 1          |
| 15             | 304.31.122-1   | 支承套            | Supporting sleeve     | 1          |
| 16             | GB/T 3452.1    | O形密封圈32.5×3.55 | O-ring 32.5×3.55      | 2          |
| 17             | GB/T 297       | 滚动轴承32007      | Rolling bearing 32007 | 1          |
| 18             | 304.31.106     | 轴座             | Shaft seat            | 1          |
| 19             | GB/T 5783      | 螺栓M10×30       | Bolt M10×30           | 6          |
| 20             | GB/T 93        | 垫圈10           | Spring lock washer 10 | 6          |
| 21             | GB/T 3452.1    | O形密封圈95×2.65   | O-ring 95×2.65        | 1          |
| 22             | GB/T 297       | 滚动轴承30208      | Rolling bearing 30208 | 1          |
| 23             | 304.31.117     | 主动齿轮           | Driving gear          | 1          |

## 续. 前中央传动(一) (四轮驱动)

## Cont. Front Central Drive (A) (Four wheel drive)

| 序号<br>Ser. No. | 代 号<br>Part No. | 名 称           | Name                  | 数量<br>Qty. |
|----------------|-----------------|---------------|-----------------------|------------|
| 24             | 304.31.502      | 调整纸垫          | Adjusting shim        | △          |
| 25             | 304.31.104-1    | 主传动壳体         | Main drive case       | 1          |
| 26             |                 | 复合垫圈16        | Washer 16             | 1          |
| 27             | GB/T5786        | 螺栓M16×1.5×18  | Bolt M16×1.5×18       | 1          |
| 28             | 304.31.220      | 衬套            | Bush                  | 1          |
| 29             | GB/T 5783       | 螺栓M12×35      | Bolt M12×30           | 8          |
| 30             | GB/T 93         | 垫圈12          | Spring lock washer 12 | 8          |
| 31             | GB/T 119        | 销D8×16        | Parallel pin D8×16    | 4          |
| 32             | 304.31.111      | 防尘盖           | Dust cap              | 1          |
| 33             | 304.31.101      | 托架            | Bracket               | 1          |
| 34             | GB/T 93         | 垫圈14          | Spring lock washer 14 | 4          |
| 35             | GB/T 5786       | 螺栓M14×55-8.8  | Bolt M14×55-8.8       | 4          |
| 36             | GB/T 6175       | 螺母M16         | Nut M16               | 6          |
| 37             | GB/T 93         | 垫圈16          | Spring lock washer 16 | 6          |
| 38             | GB/T 5782       | 螺栓M16×55      | Bolt M16×55           | 4          |
| 39             | GB/T 898        | 螺柱AM16-M16×50 | Stud AM16-M16×50      | 2          |

△适量 Just right amount



前中央传动 (二) (四轮驱动)  
Front Central Drive(B)(Four wheel drive)

## 前中央传动(二) (四轮驱动)

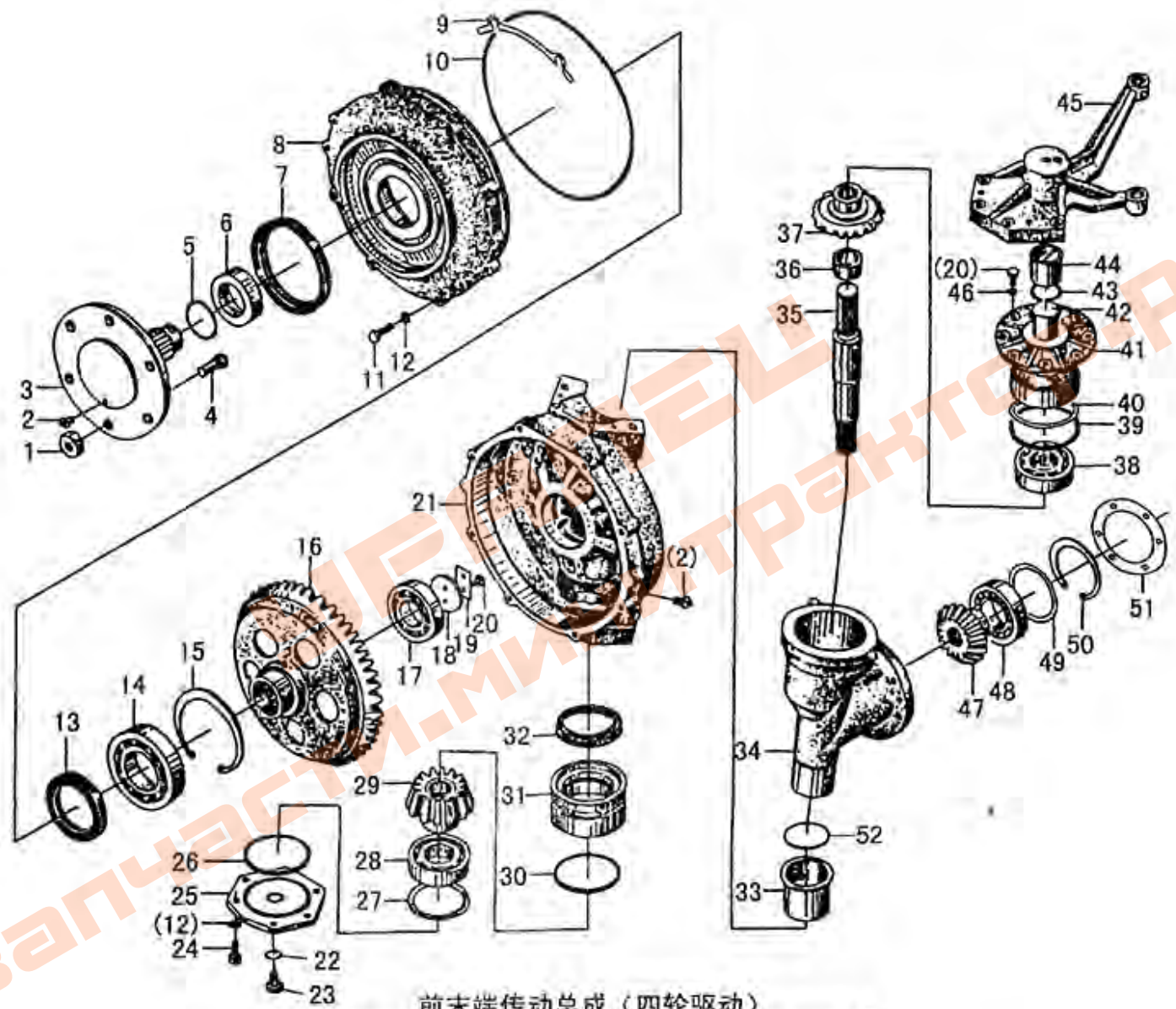
## Front Central Drive (B) (Four wheel drive)

| 序号<br>Ser. No. | 代号<br>Part No. | 名称         | Name                          | 数量<br>Qty. |
|----------------|----------------|------------|-------------------------------|------------|
| 1              | GB/T 5781      | 螺栓M8×25    | Bolt M8×25                    | 10         |
| 2              | GB/T 93        | 垫圈8        | Spring lock washer 8          | 1          |
| 3              | 304.31.138     | 限位螺钉       | Limit screw                   | 2          |
| 4              | 304.31.130     | 箱盖         | Case cover                    | 1          |
| 5              | 304.31.131     | 纸垫         | Paper gasket                  | 1          |
| 6              | 304.31.109     | 调整螺母       | Adjusting nut                 | 2          |
| 7              | GB/T 297       | 滚动轴承30211  | Rolling bearing 30211         | 2          |
| 8              | 304.31.118     | 从动齿轮       | Driven gear                   | 1          |
| 9              | 304.31.119-1   | 衬套         | Bush                          | 2          |
| 10             | 304.31.120     | 平垫片        | Plain washer                  | 2          |
| 11             | 304.31.103     | 半轴齿轮       | Differential side gear        | 2          |
| 12             | 304.31.102     | 行星齿轮       | Planet gear                   | 2          |
| 13             | 304.31.121     | 球垫片        | Spherical washer              | 2          |
| 14             | 304.31.107     | 差速器壳体      | Differential cover            | 1          |
| 15             | 304.31.116-2   | 行星齿轮轴      | Planet gear shaft             | 1          |
| 16             | GB/T 879       | 销6×30      | Pin 6×30                      | 1          |
|                | GB/T 879       | 销4×30      | Pin 4×30                      | 1          |
| 17             | GB/T 861.1     | 内齿锁紧垫圈10   | Internal tooth lock washer#10 | 6          |
| 18             | GB/T 5785      | 螺栓M10×1×85 | Bolt M10×1×85                 | 6          |
| 19             | 304.31.108-1   | 半轴         | Differential axle             | 2          |
| 20             | 304.31.105-2   | 半轴壳体       | Differential axle housing     | 1          |
| 21             | 304.31.115-1   | 纸垫         | Paper gasket                  | 2          |
| 22             | 304.31.110     | 轴承座        | Bearing seat                  | 2          |

## 续. 前中央传动(二) (四轮驱动)

## Cont. Front Central Drive (B) (Four wheel drive)

| 序号<br>Ser. No. | 代号<br>Part No. | 名称                 | Name                      | 数量<br>Qty. |
|----------------|----------------|--------------------|---------------------------|------------|
| 23             | GB/T 72        | 螺钉M8×22            | Screw M8×22               | 2          |
| 24             | 304.31.104-1   | 主传动壳体              | Front case                | 1          |
| 25             | 304YZ.31.105-2 | 右半轴壳               | Differential axle housing | 1          |
| 26             | 184.31.030     | 前桥量油尺总成            | Dipstick assembly         | 1          |
| 27             |                | 复合垫圈16             | Washer 16                 | 2          |
| 28             | GB/T 6171      | 螺母M12×1.25         | Bolt M12×1.25             | 28         |
| 29             | GB/T 93        | 垫圈12               | Spring lock washer 12     | 28         |
| 30             | GB/T 899       | 螺柱AM12-M12×1.25×30 | Stud AM12-M12×1.25×30     | 28         |
| 31             | GB 33452.1     | O形密封圈112×2.65      | O-ring 112×2.65           | 2          |
| 32             | 184.31.060     | 呼吸器总成              | Vent pipe                 | 1          |
| 33             | 184.31.125-1   | 通气螺塞               | Vent screw plug           | 1          |
| 34             | GB 33452.1     | O形密封圈80×2.65       | O-ring 80×2.65            | 2          |
| 35             | 304.31.201     | 行星齿轮隔套             | Sleeve                    | 1          |
| 36             | GB/T 879       | 销3×20              | Pin 3×20                  | 1          |



前末端传动总成 (四轮驱动)  
Front Final Drive Assembly (Four wheel drive)

## 前末端传动总成(四轮传动)

## Front Final Drive Assembly (Four wheel drive)

| 序号<br>Ser. No. | 代号<br>Part No. | 名称               | Name                                     | 数量<br>Qty. |
|----------------|----------------|------------------|--|------------|
| 1              | 300.39.114     | 螺母               | Wheel fixing nut                         | 12         |
| 2              | JB/T 7940.1    | 直通式压注油杯M10×1     | Oil cup M10×1                            | 4          |
| 3              | 304.31.179-3   | 前驱动轴             | Front driving shaft                      | 2          |
| 4              | 300.39.113     | 螺栓               | Wheel fixing screw                       | 12         |
| 5              | GB3452.1       | O形密封圈46.2×3.55   | O-ring 46.2×3.55                         | 2          |
| 6              | 304.31.178-2   | 衬套               | Liner                                    | 2          |
| 7              | 304.31.180     | 端面油封             | End face oil seal                        | 2          |
| 8              | 304.31.151     | 前驱动端盖            | Front drive end cover                    | 2          |
| 9              | 304.31.173     | 调整垫片0.2          | Adjusting shim 0.2                       | △          |
|                | 304.31.174     | 调整垫片0.5          | Adjusting shim 0.5                       | △          |
|                | 304.31.175     | 调整垫片1.0          | Adjusting shim 1.0                       | △          |
| 10             | GB/T 3452.1    | O形密封圈 258×5.3    | O-ring 258×5.3                           | 2          |
| 11             | GB/T 5783      | 螺栓M10×35         | Bolt M10×35                              | 16         |
| 12             | GB/T 93        | 垫圈10             | Spring lock washer 10                    | 28         |
| 13             | GB/T 9877.1    | 油封FB65×90×10     | Oil seal FB65×90×10                      | 2          |
| 14             | GB/T 276       | 滚动轴承6310         | Rolling bearing 310                      | 2          |
| 15             | GB/T 893.1     | 挡圈110            | Circlip for hole 110                     | 2          |
| 16             | 304.31.153     | 前末端传动大齿轮         | Large gear, front final drive            | 2          |
| 17             | GB/T 283       | 滚动轴承NF208E       | Rolling bearing NF208E                   | 2          |
| 18             | 304.31.182     | 压板               | Clamping plate                           | 2          |
| 19             | 304.31.181     | 保险垫片             | Safety washer                            | 2          |
| 20             | GB/T 5783      | 螺栓M8×20 (40Cr调质) | Bolt M8×20 (40Cr, hardened and tempered) | 20         |

△适量 Just right amount



## 续. 前末端传动总成 (四轮传动)

## Cont. Front Final Drive Assembly ( Four wheel drive )

| 序号<br>Ser. No. | 代 号<br>Part No. | 名 称<br>Name       | 数量<br>Qty. |
|----------------|-----------------|-------------------|------------|
| 21             | 304.31.150      | 右边减速壳体            | 1          |
|                | 304.31.154      | 左边减速壳体            | 1          |
| 22             | GB 3452.1       | O形密封圈 10×2.65     | 2          |
| 23             | 304.31.152      | 螺塞                | 2          |
| 24             | GB/T 5783       | 螺栓M10×25 (40Cr调质) | 12         |
| 25             | 304.31.172-1    | 下端盖               | 2          |
| 26             | GB 3452.1       | O形密封圈 90×2.65     | 2          |
| 27             | 304.31.169      | 调整垫圈0.2           | △          |
|                | 304.31.170      | 调整垫圈0.5           | △          |
|                | 304.31.171      | 调整垫圈1.0           | △          |
| 28             | GB/T 297        | 滚动轴承30210         | 2          |
| 29             | 304.31.167      | 前末端小齿轮            | 2          |
| 30             | GB 3452.1       | O形密封圈 63×5.3      | 2          |
| 31             | 304.31.215-1    | 支承套               | 2          |
| 32             | 304.31.217      | 防尘圈               | 2          |
| 33             | 304.31.177      | 衬套                | 2          |
| 34             | 304.31.161      | 左立轴套管             | 1          |
|                | 304.31.187      | 右立轴套管             | 1          |
| 35             | 304.31.183      | 立轴                | 2          |
| 36             | 304.31.165      | 隔套                | 2          |
| 37             | 304.31.184      | 锥齿轮 (二)           | 2          |
| 38             | GB/T 297        | 滚动轴承30208         | 2          |

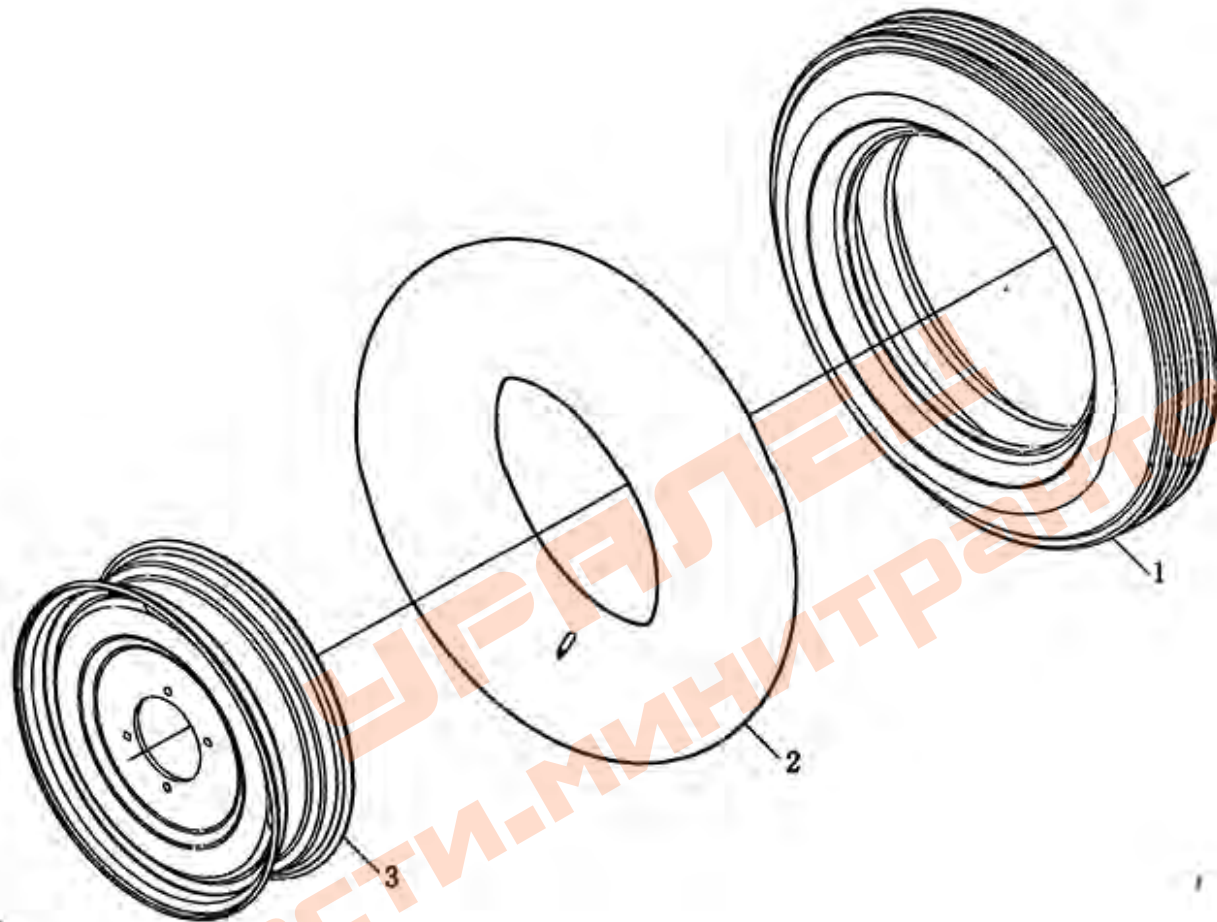
△适量 Just right amount.

## 续. 前末端传动总成 (四轮传动)

## Cont. Front Final Drive Assembly ( Four wheel drive)

| 序号<br>Ser. No. | 代号<br>Part No. | 名称              | Name                       | 数量<br>Qty. |
|----------------|----------------|-----------------|----------------------------|------------|
| 39             | GB 3452.1      | O形密封圈 85×5.3    | O-ring 85×5.3              | 2          |
| 40             | 304.31.157     | 调整垫圈0.2         | Adjusting shim 0.2         | △          |
|                | 304.31.158     | 调整垫圈0.5         | Adjusting shim 0.5         | △          |
|                | 304.31.159     | 调整垫圈1.0         | Adjusting shim 1.0         | △          |
| 41             | 304.31.160     | 主销轴座            | Kingpin shaft seat         | 2          |
| 42             | 304.31.216     | 主销轴头            | Kingpin shaft head         | 2          |
| 43             | GB 3452.1      | O形密封圈37.5×3.55  | O-ring 37.5×3.55           | 2          |
| 44             | 304.31.156-1   | 衬套              | Bush                       | 2          |
| 45             | 304YZ.31.155-1 | 左转向臂            | Left steering knuckle arm  | 1          |
|                | 304.31.186-1   | 右转向臂            | Right steering knuckle arm | 1          |
| 46             | GB/T 93-1987   | 垫圈8             | Spring lock washer 8       | 16         |
| 47             | 304.31.166     | 锥齿轮 ( - )       | Bevel gear ( 1 )           | 2          |
| 48             | GB/T 276       | 滚动轴承6209        | Rolling bearing 6209       | 2          |
| 49             | 304.31.162     | 调整垫圈0.2         | Adjusting shim 0.2         | △          |
|                | 304.31.163     | 调整垫圈0.5         | Adjusting shim 0.5         | △          |
|                | 304.31.164     | 调整垫圈1.0         | Adjusting shim 1.0         | △          |
| 50             | GB/T 893.1     | 挡圈85            | Circlip for hole 85        | 2          |
| 51             | 304.31.231     | 纸垫              | Paper gasket               | 2          |
| 52             | GB3452.1-1992  | O形密封圈 51.5×2.65 | O-ring 51.5×2.65           | 2          |

△适量 Just right amount

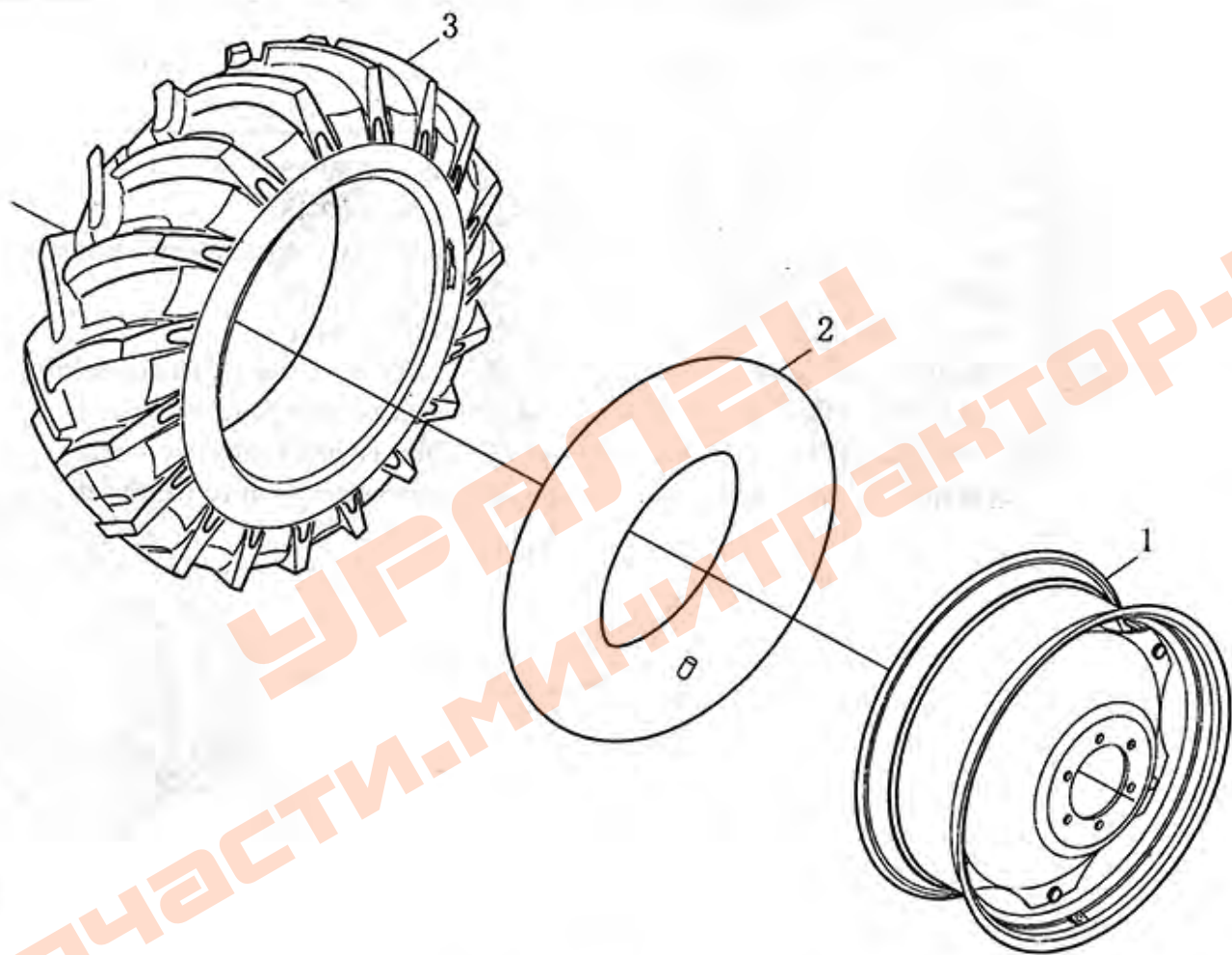


导向轮  
Directive Wheel

导向轮

Directive Wheel

| 序号<br>Ser. No. | 代号<br>Part No.    | 名称<br>Name                                     | 数量<br>Qty. |
|----------------|-------------------|--|------------|
| 1              | GB/T2979          | 外胎5.00-15 -----① Tyre 5.00-15                  | 2          |
|                | GB/T2979          | 外胎6.00-16 -----② Tyre 6.00-16                  | 2          |
|                | 非标准(Non-standard) | 草地胎外胎-----③ Lawn Tyre (for gardening tractor)  | 2          |
| 2              | GB/T2979          | 内胎5.00-15-----① Tube 5.00-15                   | 2          |
|                | GB/T2979          | 内胎6.00-16-----② Tube 6.00-16                   | 2          |
|                | 非标准(Non-standard) | 草地胎内胎-----③ Lawn Tube (for gardening tractor)  | 2          |
| 3              | 300.32.011        | 导向轮轮辋焊合件-----① Rim assembly directive wheel    | 2          |
|                | 400.32.011        | 导向轮轮辋焊合件-----② Rim assembly directive wheel    | 2          |
|                | 300.32.011A       | 草地胎导向轮轮辋焊合件-----③ Rim assembly directive wheel | 2          |

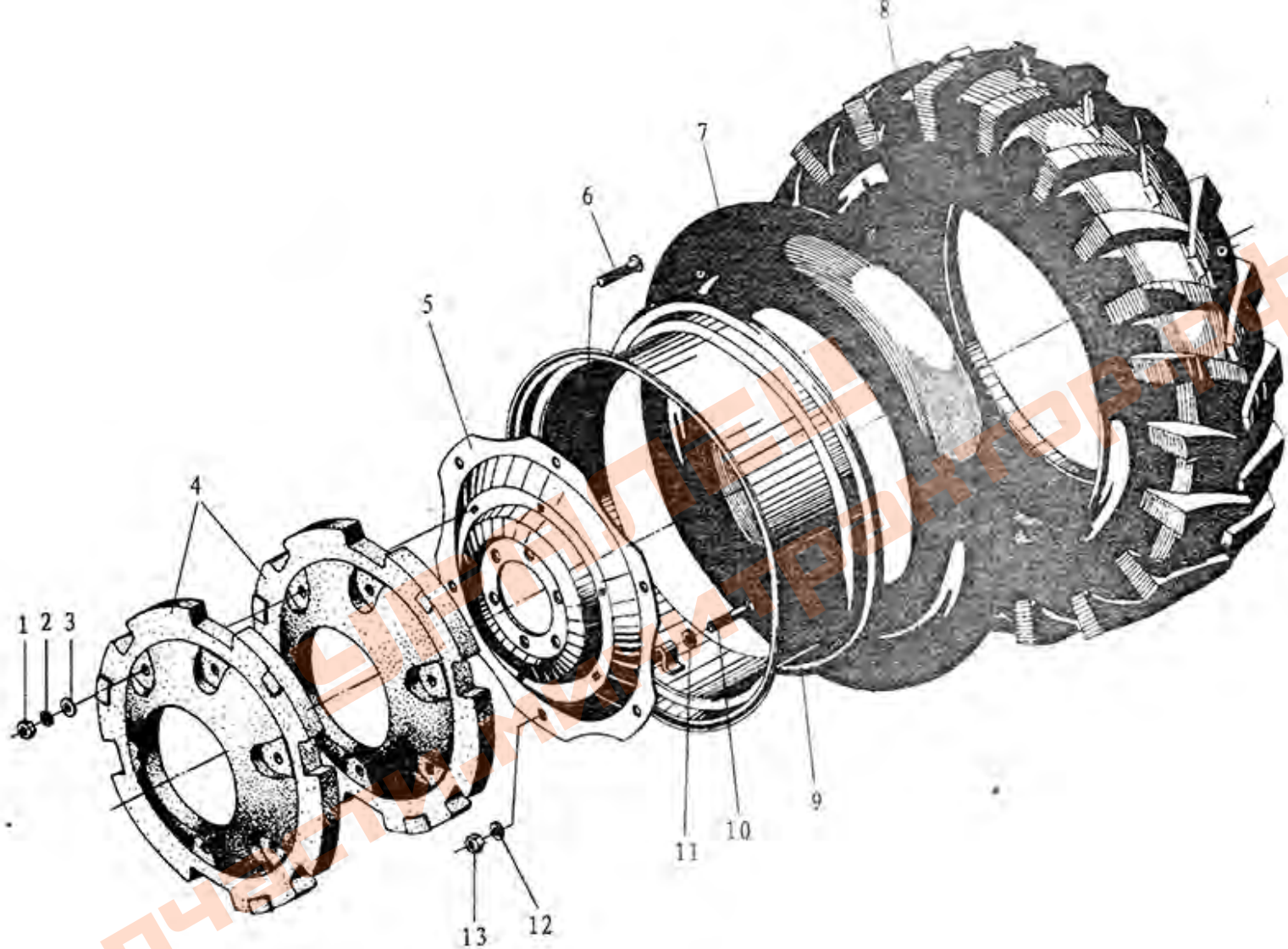


前驱动轮  
Front Driving Wheel

## 前驱动轮 (四轮驱动)

## Front driving wheel ( Four wheel drive )

| 序号<br>Ser. No. | 代号<br>Part No.    | 名称<br>Name                                     | 数量<br>Qty. |
|----------------|-------------------|--|------------|
| 1              | 304.32.011        | 前驱动轮轮辋总成-----①                                 | 2          |
|                | 304.32.011B       | 前驱动轮轮辋总成-----②③                                | 2          |
|                | 304.32.011A       | 草地胎前驱动轮轮辋焊合件-----④<br>(for gardening tractor ) | 2          |
| 2              | GB/T 2979         | 6.00-16 前驱动轮内胎-----①                           | 2          |
|                | GB/T 2979         | 7.50-16 前驱动轮内胎-----②                           | 2          |
|                | GB/T 29799        | 6.50-16 水田前驱动轮内胎-----③                         | 2          |
|                | 非标准(Non-standard) | 草地胎内胎-----④                                    | 2          |
| 3              | GB/T 2979         | 6.00-16 前驱动轮外胎-----①                           | 2          |
|                | GB/T 2979         | 7.50-16 前驱动轮外胎-----②                           | 2          |
|                | GB/T 2979         | 6.50-16 水田前驱动轮外胎-----③                         | 2          |
|                | 非标准(Non-standard) | 草地胎外胎-----④                                    | 2          |



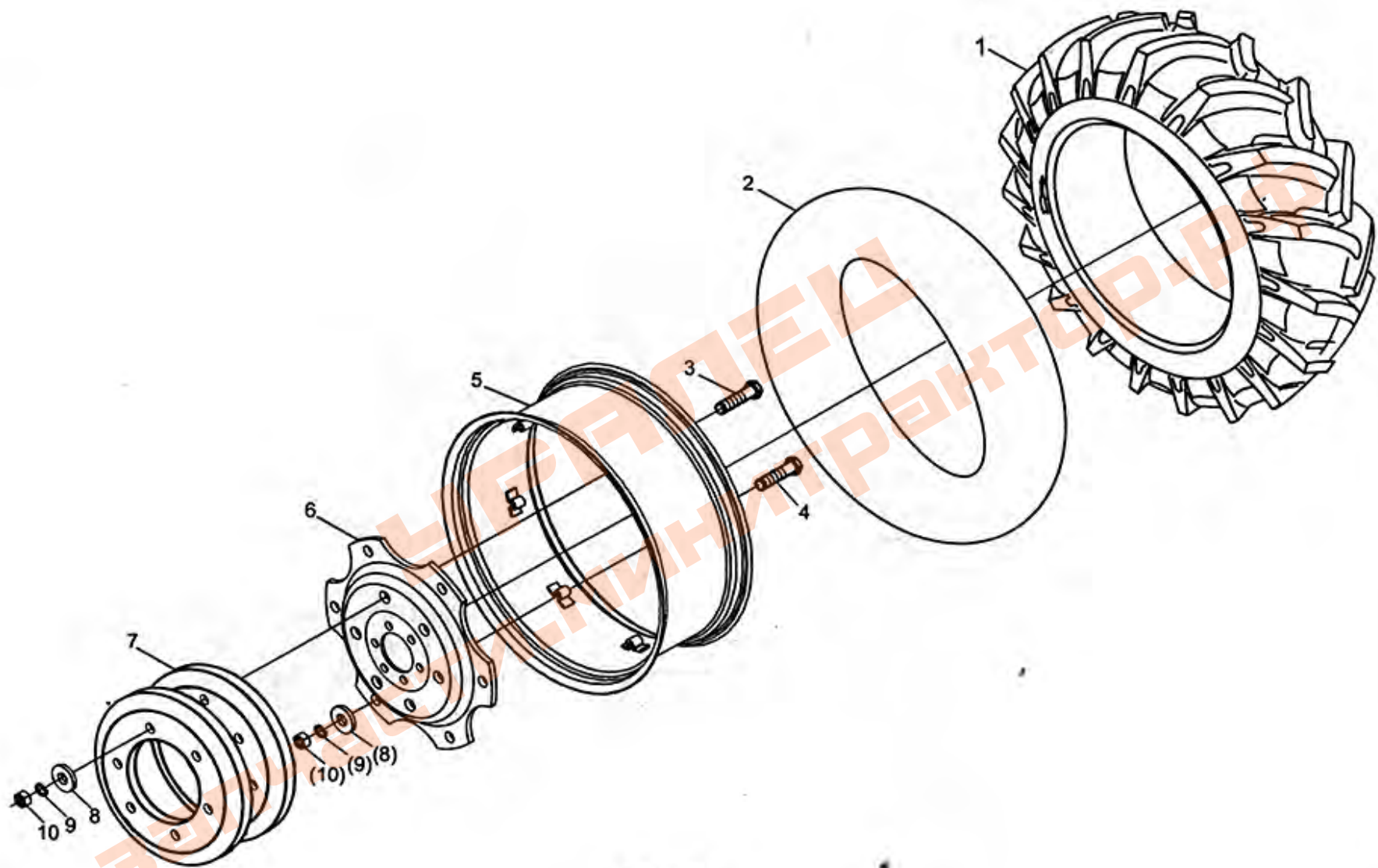
驱动轮  
Driving Wheel

## 驱动轮

## Driving Wheel

| 序号<br>Ser. No. | 代号<br>Part No.   | 名称              | Name  | 数量<br>Qty. |
|----------------|------------------|-----------------|---|------------|
| 1              | GB/T6170         | 螺母M12           | Nut M12                                     | 12         |
| 2              | GB/T93           | 垫圈12            | Washer 12                                   | 12         |
| 3              | GB/T96           | 大垫圈12           | Big washer 12                               | 12         |
| 4              | 300.34.108-2     | 驱动轮配重铁          | Ballast                                     | 2/4        |
| 5              | 300.34.103       | 驱动轮辐板——①②③④     | Spoke,driving wheel                         | 2          |
|                | 300.34.103C      | 驱动轮辐板(配草地胎)——⑤  | Spoke,driving wheel (for gardening tractor) | 2          |
| 6              | GB/T12           | 螺栓M12×100       | Bolt M12×100                                | 12         |
|                | GB/T12           | 螺栓M12×60        | Bolt M12×60                                 | 12         |
| 7              | GB/T2979         | 驱动轮内胎11.2-24——① | Tube 11.2-24                                | 2          |
|                | GB/T2979         | 水田轮内胎11.2-24——② | Tube 11.2-24 (for paddyfield tractor)       | 2          |
|                |                  | 水田轮内胎9.5-24——③  | Tube 9.5-24 (for paddyfield tractor)        | 2          |
|                | 非标准(Non-tandard) | 草地胎内胎——④        | Tube (for gardening tractor)                | 2          |
| 8              | GB/T2979         | 驱动轮外胎11.2-24——① | Tyre 11.2-24                                | 2          |
|                | GB/T2979         | 水田轮外胎11.2-24——② | Tyre 9.5-24                                 | 2          |
|                |                  | 水田轮外胎9.5-24——③  | Tyre 9.5-24(for paddyfield tractor)         | 2          |
|                | 非标准(Non-tandard) | 草地胎外胎——④        | Tyre (for gardening tractor)                | 2          |
| 9              | 300.34.011-1     | 驱动轮轮辋总成——①②     | Rim assembly,driving wheel                  | 2          |
|                | 300.34.011A-1    | 驱动轮轮辋总成——③④     | Rim assembly,driving wheel                  | 2          |
|                | 300.34.011C      | 草地胎驱动轮轮辋焊合件——⑤  | Rim assembly (for gardening tractor)        | 2          |
| 10             | GB/T5782         | 螺栓M14×70        | Bolt M14×70                                 | 12         |
|                | 300.34.012       | 钢圈螺栓焊合件         | Bolt  | 12         |
| 11             | GB/T97.1         | 垫圈14            | Washer 14                                   | 12         |
| 12             | GB/T93           | 垫圈14            | Washer 14                                   | 12         |
| 13             | GB/T6170         | 螺母M14           | Nut M14                                     | 12         |



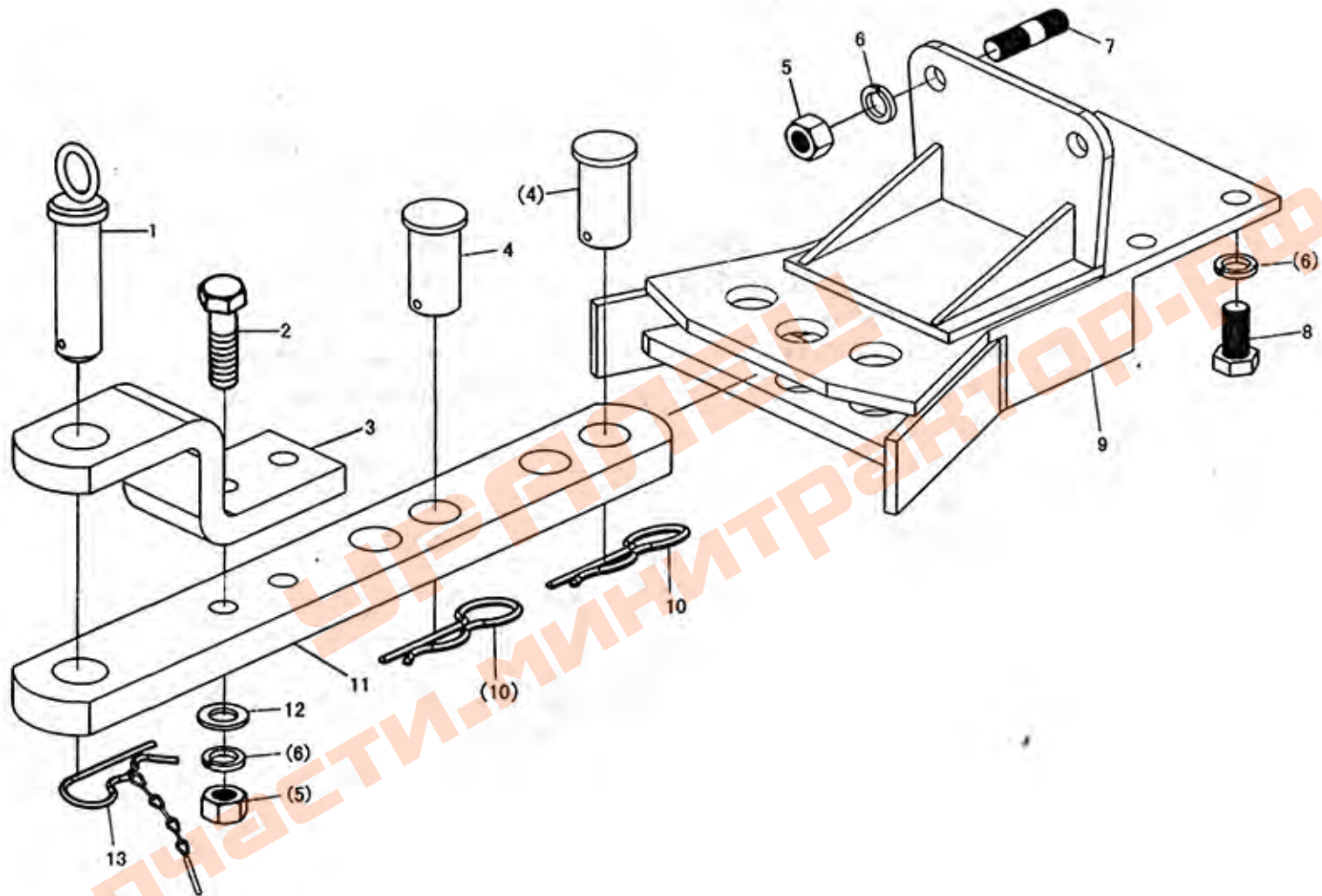


驱动轮 I  
Driving Wheel I

## 驱动轮 I

## Driving Wheel I

| 序号<br>Ser. No. | 代号<br>Part No. | 名称              | Name                       | 数量<br>Qty. |
|----------------|----------------|-----------------|----------------------------|------------|
| 1              | GB/T2979       | 驱动轮外胎11.2-28    | Tyre 11.2-28               | 2          |
| 2              | GB/T2979       | 驱动轮内胎11.2-28    | Tube 11.2-28               | 2          |
| 3              | GB/T12         | 螺栓M16×60(装一块配重) | Bolt M16×60                | 6          |
|                | GB/T12         | 螺栓M16×95(装两块配重) | Bolt M16×95                | 6          |
| 4              | GB/T12         | 螺栓M16×80        | Bolt M16×80                | 6          |
| 5              | 400.34.011     | 驱动轮轮辋焊合作        | Rim assembly,driving wheel | 2          |
| 6              | 300.34.103B    | 驱动轮辐板           | Spoke,driving wheel        | 2          |
| 7              | 400.34.105-4   | 配重铁II           | Ballast II                 | 2或4        |
| 8              | GB/T97.1       | 垫圈16            | Washer 16                  | 24         |
| 9              | GB/T93         | 垫圈16            | Washer 16                  | 24         |
| 10             | GB/T6170       | 螺母M16           | Nut M16                    | 24         |

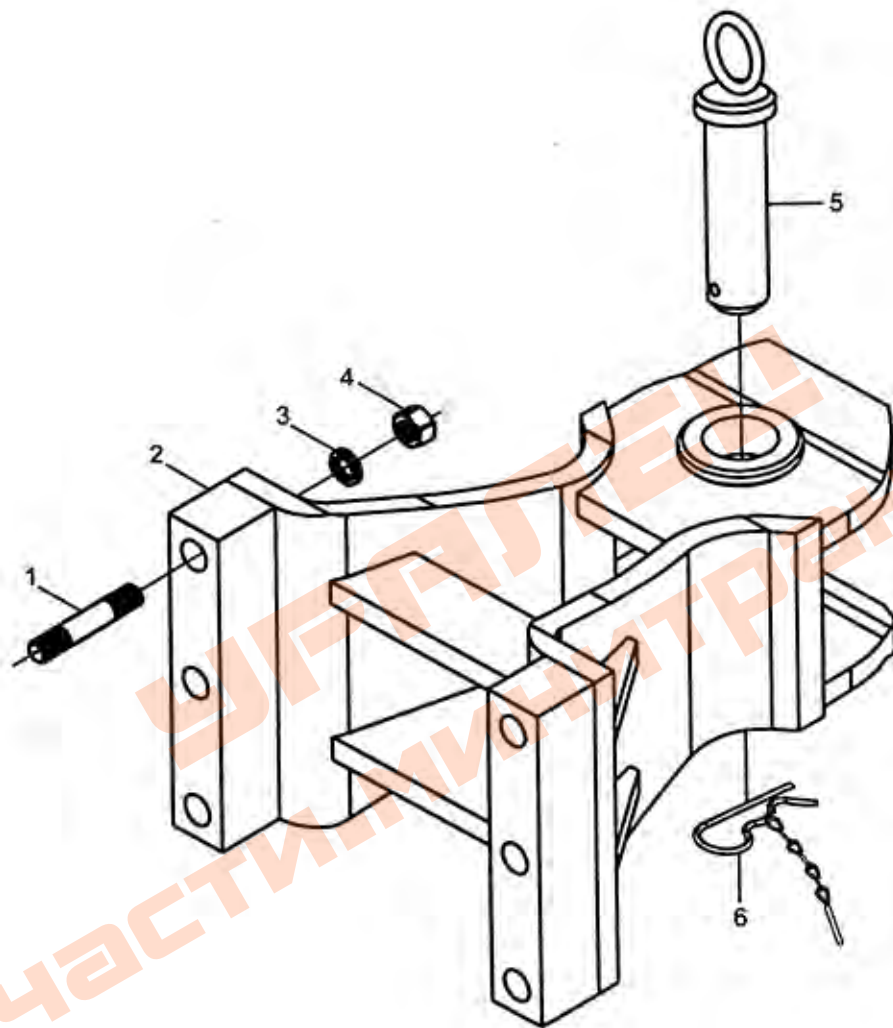


摆式牵引板总成  
Pendulum Drawbar

## 摆式牵引板总成

## Pendulum Drawbar

| 序号<br>Ser. No. | 代 号<br>Part No. | 名 称<br>Name   | 数量<br>Qty. |
|----------------|-----------------|---------------|------------|
| 1              | 300E.35.019     | 后连接销焊合作       | 1          |
| 2              | GB/T5782        | 螺栓M16×70      | 2          |
| 3              | 300E.35.203     | 弯牵引杆          | 1          |
| 4              | 300.35.103      | 牵引销           | 2          |
| 5              | GB/T6170        | 螺母M16         | 4          |
| 6              | GB/T93          | 垫圈16          | 8          |
| 7              | GB/T898         | 螺柱AM16-M16×35 | 2          |
| 8              | GB/T5783        | 螺栓M16×35      | 4          |
| 9              | 300.35.011-1    | 牵引板焊合作(无钩)    | 1          |
| 10             | 300.35.104      | 锁销            | 2          |
| 11             | 300.35.013      | 牵引杆焊合作        | 1          |
| 12             | GB/T97.1        | 垫圈16          | 2          |
| 13             | 300E.35.020     | 弹簧锁销焊合作       | 1          |

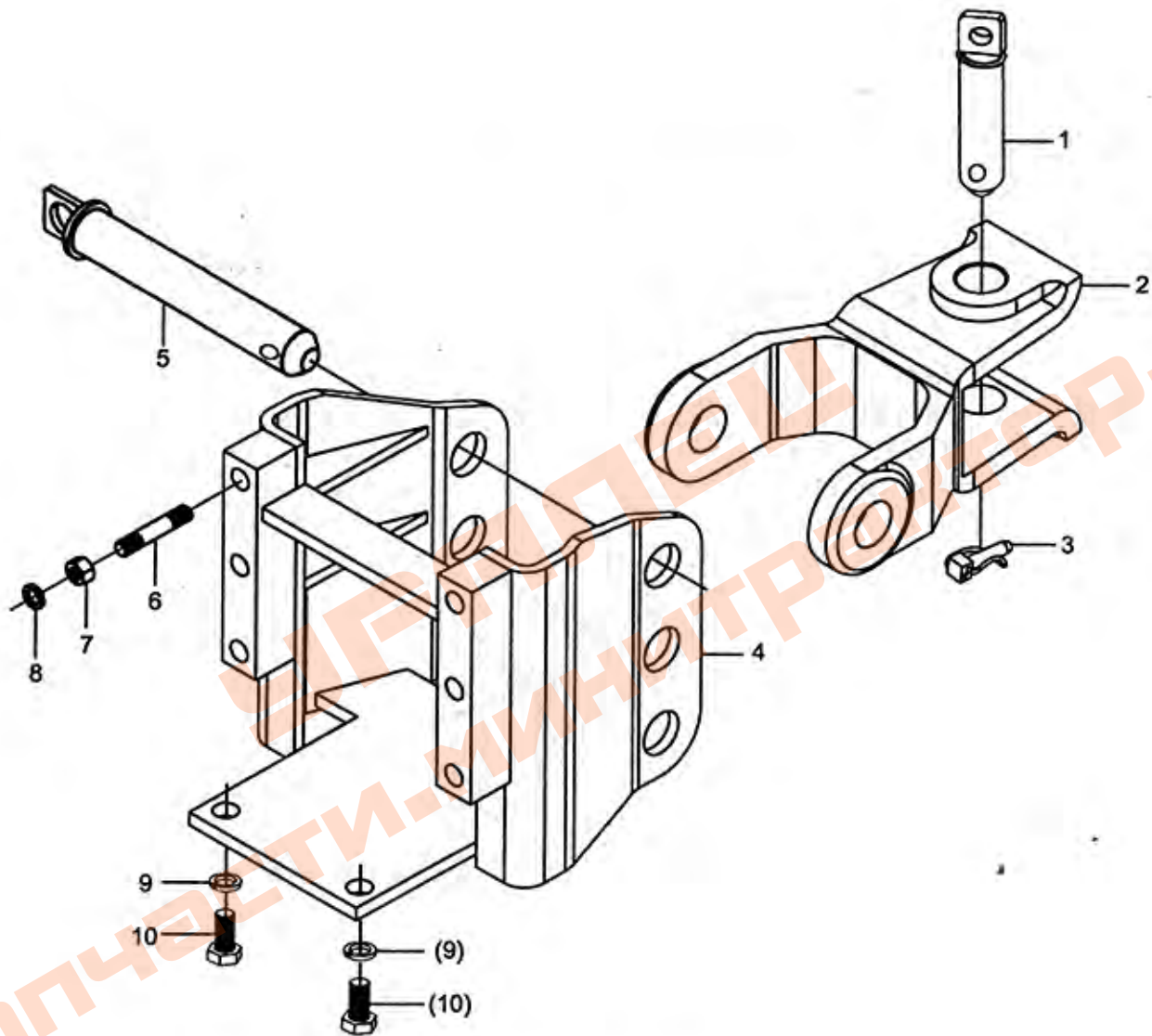


牵引板总成 I  
Drawbar I

## 牵引板总成 I

## Drawbar I

| 序号<br>Ser. No. | 代号<br>Part No. | 名称                    | Name                     | 数量<br>Qty. |
|----------------|----------------|-----------------------|--------------------------|------------|
| 1              | GB/T899        | 螺柱AM14-M14×1.5×70-8.8 | Stud AM14-M14×1.5×70-8.8 | 6          |
| 2              | 300.56.041B-1  | 牵引机构焊接总成              | Drawbar assembly         | 1          |
| 3              | GB/T93         | 垫圈14                  | Washer 14                | 6          |
| 4              | GB/T6176       | 螺母M14×1.5             | Nut M14×1.5              | 6          |
| 5              | 300E.35.019    | 后连接销焊合作               | Drawbar connecting pin   | 1          |
| 6              | 300E.35.020    | 弹簧锁销焊合作               | Spring latch weld        | 1          |



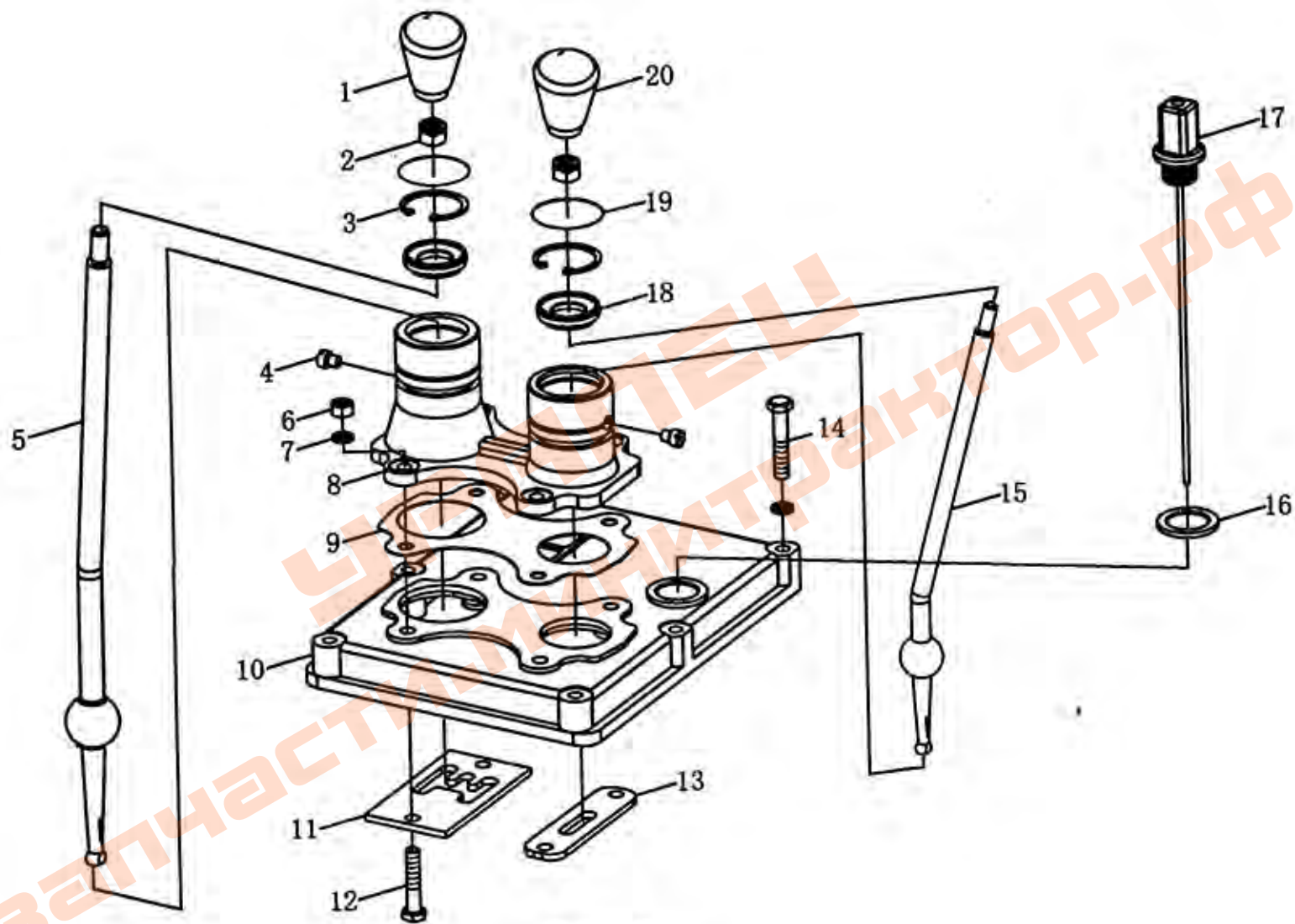
牵引板总成 II  
Drawbar II

## 牵引板总成 II

## Drawbar II

| 序号<br>Ser. No. | 代 号<br>Part No. | 名 称                   | Name                               | 数量<br>Qty. |
|----------------|-----------------|-----------------------|------------------------------------|------------|
| 1              | 160.35.012-1    | 牵引销焊合件 II             | Drawbar connecting pin assembly II | 1          |
| 2              | 160.35.102-1    | 牵引十字节                 | Drawbar crossing                   | 1          |
| 3              | 160.56.014      | 锁销总成                  | Lock pin                           | 2          |
| 4              | 300.35.015      | 可调式牵引板焊合件             | Drawbar assembly                   | 1          |
| 5              | 300.35.206      | 牵引销                   | Drawbar connecting pin             | 1          |
| 6              | GB/T1899        | 螺柱 M14-M14×1.5×70-8.8 | Stud M14-M14×1.5×70-8.8            | 6          |
| 7              | GB/T16176       | 螺母 M14×1.5            | Nut M14×1.5                        | 6          |
| 8              | GB/T93          | 垫圈 14                 | Washer 14                          | 6          |
| 9              | GB/T93          | 垫圈 16                 | Washer 16                          | 2          |
| 10             | GB/T15783       | 螺栓 M16×35             | Bolt M16×35                        | 2          |





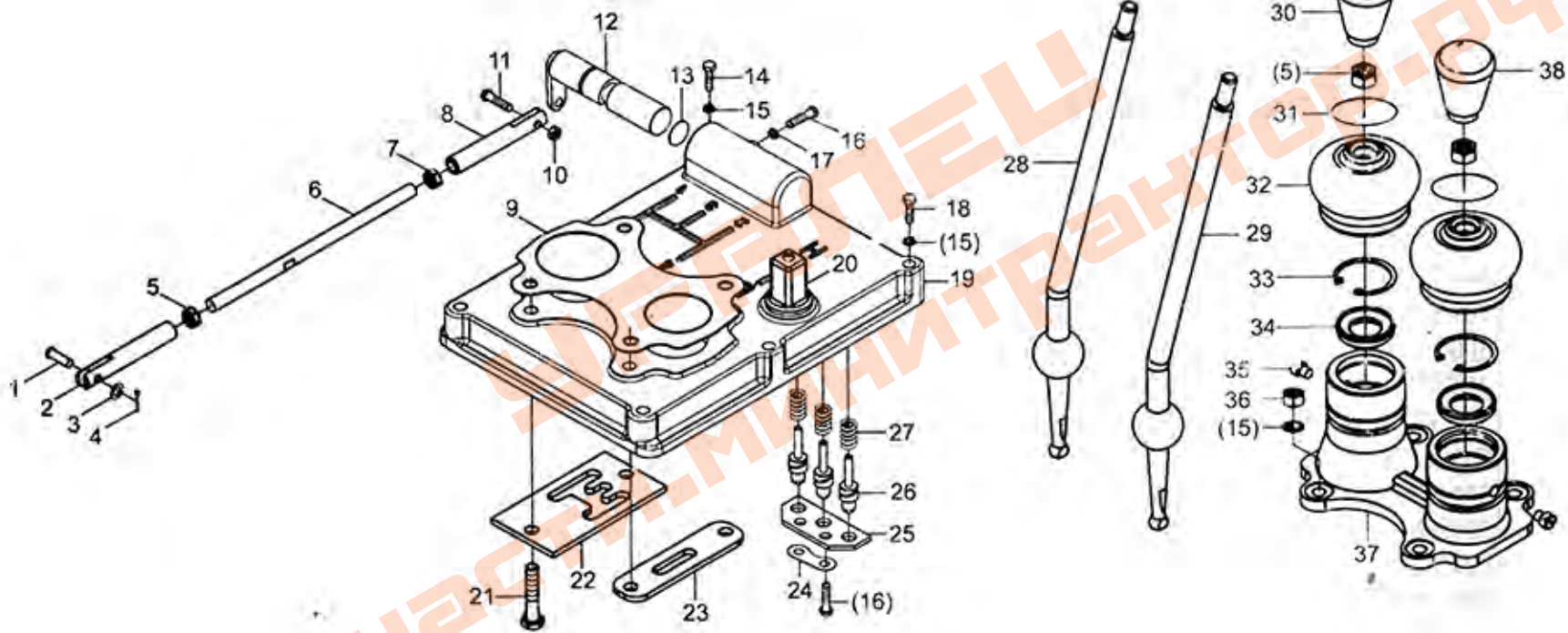
变速箱盖  
Transmission Cover

变速箱盖

Transmission Cover

| 序号<br>Ser. No. | 代号<br>Part No. | 名称                   | Name   | 数量<br>Qty. |
|----------------|----------------|----------------------|--|------------|
| 1              | 304.37S.211A   | 变速手柄组合件(双作用)         | Handle control lever -----①                  | 1          |
|                | 300.37.211A    | 变速手柄组合件(单作用)         | Handle control lever -----②                  | 1          |
| 2              | GB/T 889       | 螺母M10                | Nut M10                                      | 2          |
| 3              | GB/T 893.1     | 挡圈37                 | Retaining ring 37                            | 2          |
| 4              | GB/T 75        | 开槽长圆柱端紧定螺钉M10×13     | Screw M10×13                                 | 2          |
| 5              | 300.37.192-1   | 主变速操纵杆               | Control lever, main change speed             | 1          |
| 6              | GB/T 889       | 螺母M8                 | Nut M8                                       | 4          |
| 7              | GB/T 93        | 垫圈8                  | Spring lock washer 6                         | 10         |
| 8              | 300E.37.101    | 变速杆座                 | Change speed lever seat                      | 1          |
| 9              | 300.37.195     | 变速杆座垫片               | Gasket, change speed lever seat              | 1          |
| 10             | 304.37S.189    | 变速箱上前盖               | Transmission upper front cover -----①        | 1          |
|                | 300.37.189     | 变速箱上前盖               | Transmission upper front cover -----②        | 1          |
| 11             | 304.37S.190    | 主变速框板                | Guide plate, main change speed -----①        | 1          |
|                | 300.37.190     | 主变速框板                | Guide plate, main change speed -----②        | 1          |
| 12             | GB/T 5782      | 螺栓M8×40              | Bolt M8×40                                   | 4          |
| 13             | 304.37S.191    | 副变速框板                | Guide plate, secondary change speed -----①   | 1          |
|                | 300.37.191     | 副变速框板                | Guide plate, secondary change speed -----②   | 1          |
| 14             | GB/T 5782      | 螺栓M8×45              | Bolt M8×45                                   | 6          |
| 15             | 300.37.193-3   | 副变速操纵杆               | Control lever, secondary change speed        | 1          |
| 16             | 160.55.104     | 垫片                   | Washer                                       | 1          |
| 17             | 300.37.018A    | 油尺总成                 | Dipstick assembly                            | 1          |
| 18             | 800.37.015     | 操纵杆密封圈               | Oil seal                                     | 2          |
| 19             | GB/T 3082      | 镀锌钢丝 $\phi$ d1.4*250 |  | 2          |
| 20             | 160.37.032-3   | 副变速手柄组合件             | Handle control lever, secondary change speed | 1          |

①---For double action clutch , ②---For single-action clutch



变速箱盖  
Transmission Cover

变速箱盖(防掉档)

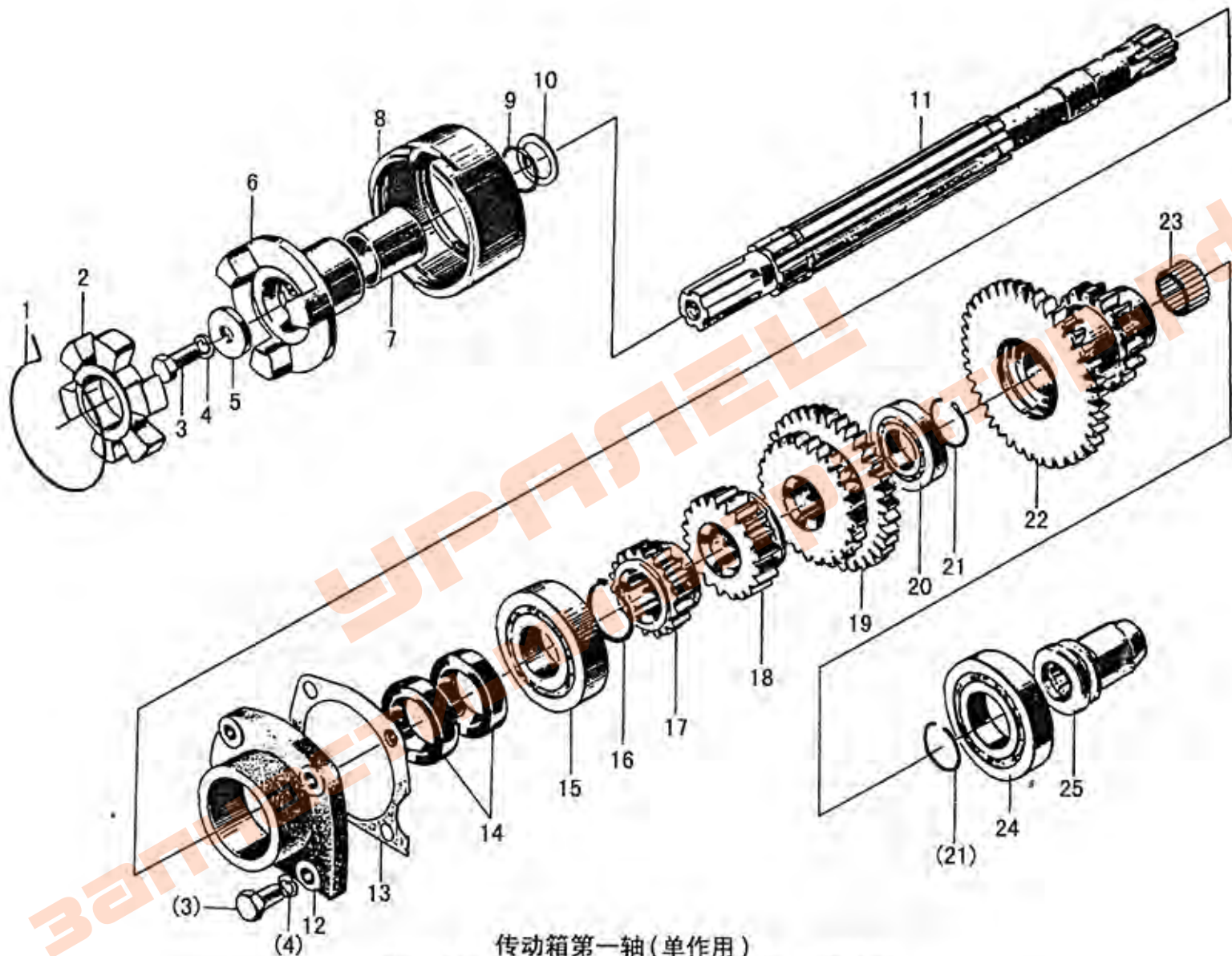
Transmission Cover

| 序号<br>Ser. No. | 代号<br>Part No. | 名称          | Name                           | 数量<br>Qty. |
|----------------|----------------|-------------|--------------------------------|------------|
| 1              | GB/T882        | 销轴B6*20     | Pin roll B5×20                 | 1          |
| 2              | 300.37.449-1   | 调节杆         | adjusterbar                    | 1          |
| 3              | GB/T97.1       | 垫圈6         | Washer 6                       | 1          |
| 4              | GB/T91         | 销2*16       | Split pin 2×12                 | 1          |
| 5              | GB/T6170       | 螺母M10       | Nut M10                        | 3          |
| 6              | 300.37.448-1   | 调节杆         | adjusterbar                    | 1          |
| 7              | GB/T6170       | 螺母M10-左     | Nut M10                        | 1          |
| 8              | 300.37.449A    | 调节杆         | adjusterbar                    | 1          |
| 9              | 300.37.195     | 变速杆座垫片      | Gasket,change speed lever seat | 1          |
| 10             | GB/T889        | 螺母M6        | Nut M6                         | 1          |
| 11             | GB/T5783       | 螺栓M6*20     | Bolt M6×20                     | 1          |
| 12             | 300.37.024     | 摇臂轴焊合件      | Radial shaft weld              | 1          |
| 13             | GB/T3452.1     | O形密封圈17*1.8 | O-ring 17*1.8                  | 1          |
| 14             | GB/T5783       | 螺栓M8*20     | Bolt M8×20                     | 1          |
| 15             | GB/T93         | 垫圈8         | Washer 8                       | 8          |
| 16             | GB/T5783       | 螺栓M6*16     | Bolt M6×16                     | 2          |
| 17             | GB/T93         | 垫圈6         | Washer 6                       | 2          |
| 18             | GB/T5782       | 螺栓M8*45     | Bolt M8×45                     | 5          |
| 19             | 300.37.189-1   | 变速箱上前盖(单作用) | Transmission upper front cover | 1          |
|                | 304.37S.189-1  | 变速箱上前盖(双作用) | Transmission upper front cover | 1          |
| 20             | 300.37.018A    | 油尺总成        | Dipstick assembly              | 1          |
| 21             | GB/T5782       | 螺栓M8*40     | Bolt M8×40                     | 2          |
| 22             | 300.37.190     | 主变速框板       | Guide plate,main change speed  | 1          |

变速箱盖(防掉档)

Transmission Cover

| 序号<br>Ser. No. | 代 号<br>Part No. | 名 称<br>Name      | 数量<br>Qty. |
|----------------|-----------------|------------------|------------|
| 23             | 300.37.191      | 副变速框板            | 1          |
| 24             | 300.37.451      | 锁片               | 1          |
| 25             | 300.37.450      | 压板               | 1          |
| 26             | 300.37.447      | 锁定销              | 3          |
| 27             | 300.37.453      | 拨叉轴锁定弹簧          | 3          |
| 28             | 300.37.192-1    | 主变速操纵杆           | 1          |
| 29             | 300.37.193-3    | 副变速操纵杆           | 1          |
| 30             | 300.37.211      | 变速手柄组合件          | 1          |
|                | 304.37S.211     | 变速手柄组合件          | 1          |
| 31             | GB/T3082        | 镀锌钢丝Zd1.4*250    | 1          |
| 32             | 400.37.166      | 变速杆防尘罩           | 2          |
| 33             | GB/T893.1       | 挡圈37             | 2          |
| 34             | 800.37.015      | 操纵杆密封圈           | 2          |
| 35             | GB/T75          | 开槽长圆柱端紧定螺钉M10*13 | 2          |
| 36             | GB/T6170        | 螺母M8             | 2          |
| 37             | 300E.37.101     | 变速杆座             | 1          |
| 38             | 160.37.032      | 副变速手柄组合件         | 1          |



传动箱第一轴 (单作用)  
 Drive Gearbox Primary Shaft (Single Stage Clutch)

传动箱第一轴(单作用)

Drive Gearbox Primary Shaft (Single stage clutch)

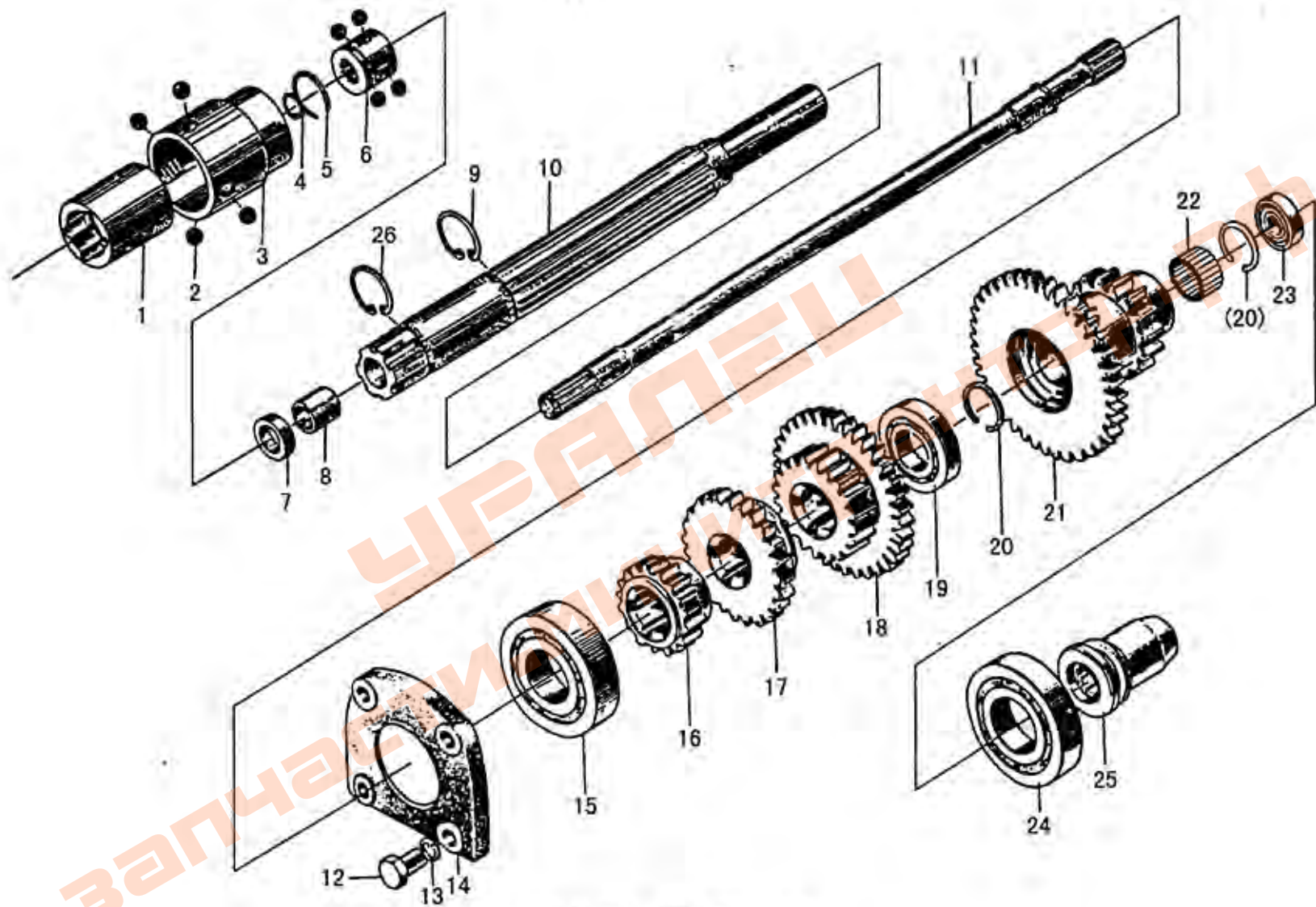
| 序号<br>Ser. No. | 代号<br>Part No.    | 名称             | Name                                    | 数量<br>Qty. |
|----------------|-------------------|----------------|---|------------|
| 1              | 300.21.147-1      | 钢丝挡圈           | Snap ring, steel wire                   | 1          |
| 2              | 300.21.145        | 弹性块            | Elastic block                           | 1          |
| 3              | GB/T5783          | 螺栓M10×25       | Bolt M10×25                             | 5          |
| 4              | GB/T93            | 垫圈10           | Spring lock washer 10                   | 5          |
| 5              | 300.37.315        | 厚垫圈            | Thick washer                            | 1          |
| 6              | 300.37.314        | 第一轴联轴节         | Coupling, primary shaft                 | 1          |
| 7              | 300.37.160        | 套              | Sleeve                                  | 1          |
| 8              | 300.21.144        | 联轴节套           | Coupling boot                           | 1          |
| 9              | GB3452.1          | O形密封圈23.6×3.55 | O-ring 23.6×3.55                        | 1          |
| 10             | 300.37.320        | 联轴节垫片          | Coupling washer                         | 1          |
| 11             | 300.37.188-1      | 第一轴            | Primary shaft                           | 1          |
| 12             | 300.37.119        | 一轴前轴承盖         | Primary shaft front bearing cap         | 1          |
| 13             | 300.37.171-1      | 一轴前轴承盖垫片       | Gasket, primary shaft front bearing cap | 1          |
| 14             | GB/T9877.1        | 油封FB35×55×8    | Oil seal FB35×55×8                      | 2          |
| 15             | GB/T276           | 滚动轴承6307       | Rolling bearing 6307                    | 1          |
| 16             | GB/T894.1         | 挡圈35           | Circlip for shaft 35                    | 1          |
| 17             | 300.37.104        | I档滑动齿轮         | Sliding gear, 1st speed                 | 1          |
| 18             | 300.37.106        | II-倒档滑动齿轮      | Sliding gear, 2nd reverse speed         | 1          |
| 19             | 300.37.108        | III-IV档滑动齿轮    | Sliding gear, 3rd-4th speed             | 1          |
| 20             | GB/T276           | 滚动轴承6006       | Rolling bearing 6006                    | 1          |
| 21             | GB/T895.1         | 挡圈30           | Roundwire snap ring for hole 30         | 2          |
| 22             | 300.37.133        | 高低档双联齿轮        | Twin gear, high-low speed               | 1          |
| 23             | 非标准(Non-standard) | 滚针轴承K25×30×25  | Needle roller bearing 25×30×25          | 1          |

续. 传动箱第一轴(单作用)

Cont. Drive Gearbox Primary Shaft (Single stage clutch)

| 序号<br>Ser. No. | 代号<br>Part No. | 名称       | Name                     | 数量<br>Qty. |
|----------------|----------------|----------|--------------------------|------------|
| 24             | GB/T 276       | 滚动轴承6208 | Rolling bearing 6208     | 1          |
| 25             | 300.37.136     | 花键联接套    | Spline connecting sleeve | 1          |





传动箱第一轴（双作用离合器）  
Drive Gearbox Primary Shaft (For dual stage clutch)

传动箱第一轴（双作用离合器）

Drive Gearbox Primary Shaft ( For dual stage clutch )

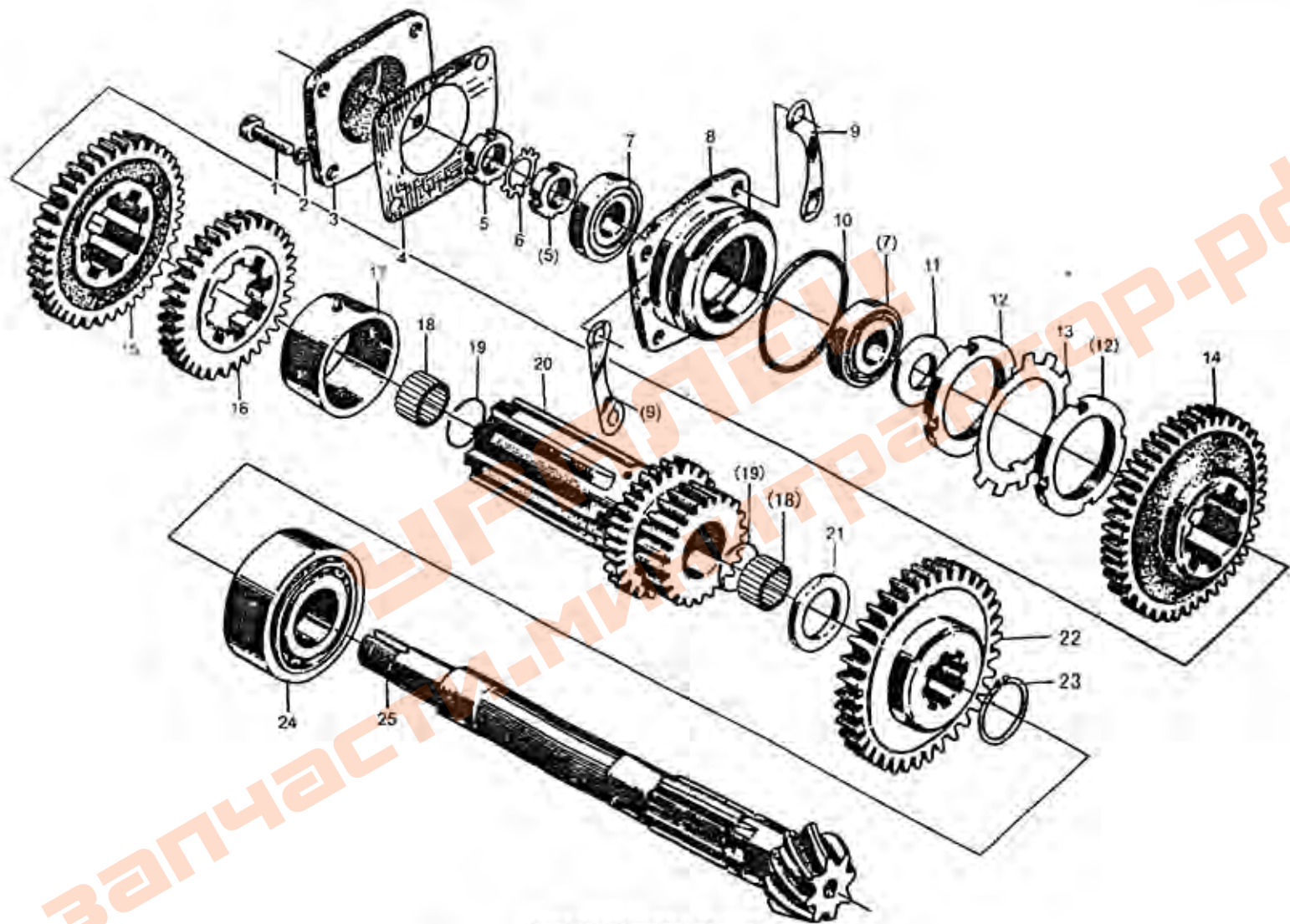
| 序号<br>Ser. No. | 代 号<br>Part No.   | 名 称             | Name   | 数量<br>Qty. |
|----------------|-------------------|-----------------|--|------------|
| 1              | 304.37S.242-1     | 副离合器联轴节联接套      | Connecting sleeve, secondary clutch coupling | 1          |
| 2              | GB/T308           | 钢球10.3188 G400b | Steel ball 10.3188 G400b                     | 8          |
| 3              | 304.37S.246       | 主离合器联轴节从动套      | Driven sleeve, main clutch coupling          | 1          |
| 4              | GB/T894.1         | 挡圈19            | Circlip for shaft 19                         | 1          |
| 5              | 304.37S.243       | 挡圈              | Circlip for shaft                            | 1          |
| 6              | 304.37S.244       | 副离合器联轴节从动套      | Driven sleeve, secondary clutch coupling     | 1          |
| 7              | 304.37S.245-1     | 轴套              | Shaft sleeve                                 | 1          |
| 8              | 304.21S.142-1     | 复合衬套            | Compound bush                                | 1          |
| 9              | GB/T894.1         | 挡圈40            | Circlip for shaft 40                         | 1          |
| 10             | 304.37S.188-1     | 第一轴             | Primary shaft                                | 1          |
| 11             | 304.37S.240-1     | 动力输出传动轴         | P.T.O. driving shaft                         | 1          |
| 12             | GB/T5783          | 螺栓M10×25        | Bolt M10×25                                  | 4          |
| 13             | GB/T93            | 垫圈10            | Washer 10                                    | 4          |
| 14             | 304.37S.119       | 一轴前轴承盖          | Primary shaft front bearing cap              | 1          |
| 15             | GB/T276           | 滚动轴承6208        | Rolling bearing 6208                         | 1          |
| 16             | 304.37S.104       | I-倒档滑动齿轮        | Sliding gear, 1st reverse speed              | 1          |
| 17             | 304.37S.106       | III档滑动齿轮        | Sliding gear, 3rd speed                      | 1          |
| 18             | 304.37S.108       | II-IV档滑动齿轮      | Sliding gear, 2nd-4th speed                  | 1          |
| 19             | GB/T276           | 滚动轴承6007        | Rolling bearing 6007                         | 1          |
| 20             | GB/T895.1         | 挡圈38            | Circlip for shaft 38                         | 2          |
| 21             | 304.37S.111-1     | 高低档双联齿轮         | Twin gear high-low speed                     | 1          |
| 22             | 非标准(Non-standard) | 滚针轴承K32×38×26   | Needle roller bearingK 32×38×26              | 1          |

△适量 Just right amount

续. 传动箱第一轴 (双作用离合器)

Cont. Drive Gearbox Primary Shaft ( For dual stage clutch )

| 序号<br>Ser. No. | 代 号<br>Part No. | 名 称<br>Name                       | 数量<br>Qty. |
|----------------|-----------------|-----------------------------------|------------|
| 23             | GB/T276         | 滚动轴承6004<br>Rolling bearing 6004  | 1          |
| 24             | GB/T276         | 滚动轴承6010<br>Rolling bearing 6010  | 1          |
| 25             | 300.37.136      | 花键联结套<br>Spline connecting sleeve | 1          |
| 26             | 304.21S.150     | 挡圈40<br>Circlip for shaft 40      | 1          |



传动箱第二轴(单作用)  
Drive Gearbox Main Shaft (Single Stage Clutch)

传动箱第二轴(单作用)

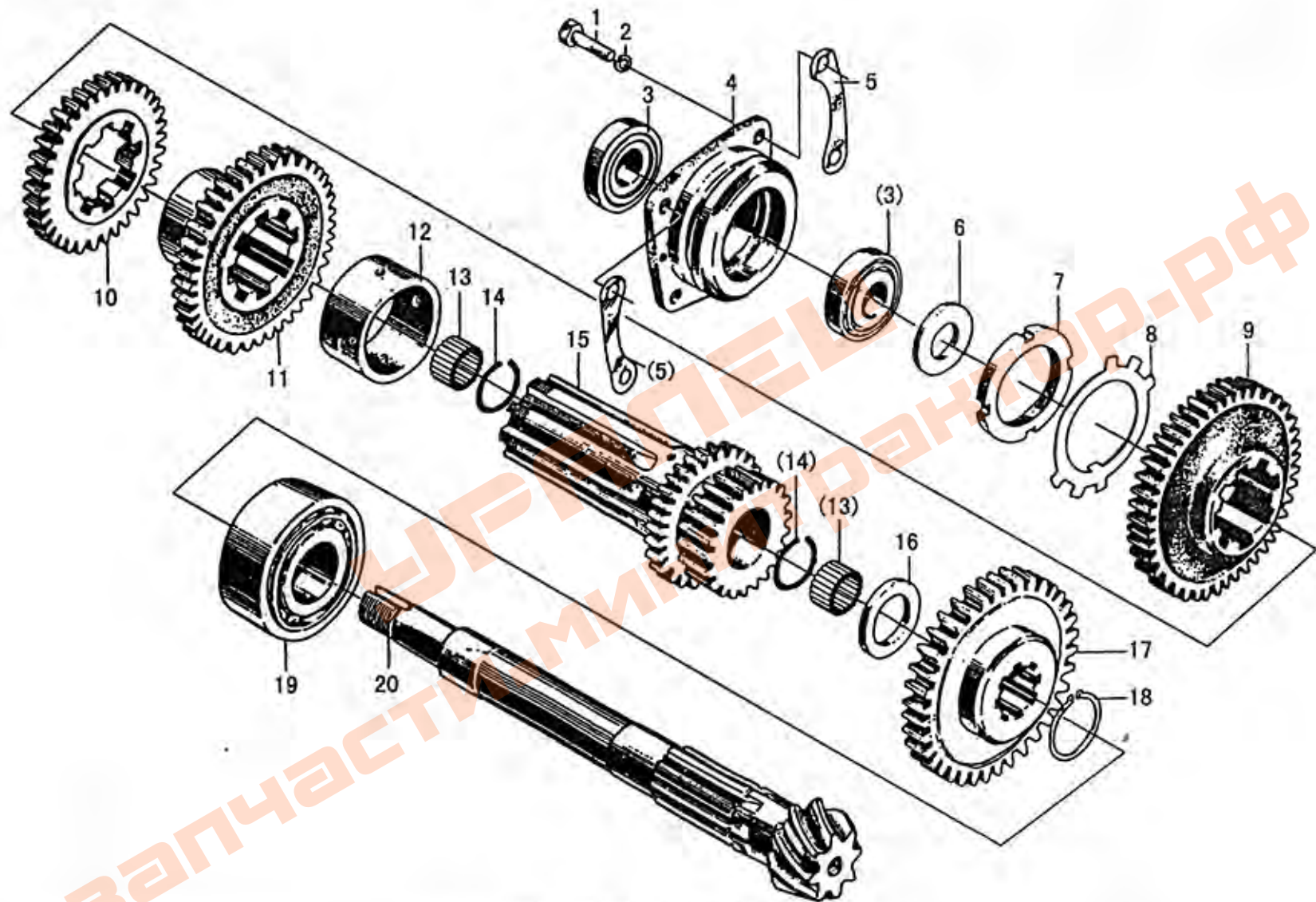
Drive gearbox Main Shaft (Single stage clutch)

| 序号<br>Ser. No. | 代号<br>Part No.    | 名称            | Name                                   | 数量<br>Qty. |
|----------------|-------------------|---------------|--|------------|
| 1              | GB/T5783          | 螺栓M10×35      | Bolt M10×25                            | 4          |
| 2              | GB/T93            | 垫圈10          | Spring lock washer 10                  | 4          |
| 3              | 300.37.135        | 二轴前轴承盖        | Main shaft front bearing cap           | 1          |
| 4              | 300.37.170        | 二轴前端盖垫片       | Gasket.main shaft front end cap        | 1          |
| 5              | GB/T812           | 螺母M24×1.5     | Nut M24×1.5                            | 2          |
| 6              | GB/T858           | 垫圈24          | Washer 24                              | 1          |
| 7              | GB/T297           | 滚动轴承31305     | Rolling bearing 31305                  | 2          |
| 8              | 300.37.117        | 二轴前轴承套        | Front bearing sleeve.main shaft        | 1          |
| 9              | 300.37.132        | 二轴调整垫片        | Adjusting shim.main shaft              | △          |
| 10             | GB/T3452.1        | O形密封圈80×5.3   | O-ring 80×5.3                          | 1          |
| 11             | 300.37.151        | 二轴前止推环        | Front thrust ring.main shaft           | 1          |
| 12             | 300.37.317        | 圆螺母M60×2      | Round nut M60×2                        | 2          |
| 13             | 300.37.430        | 圆螺母用止动垫圈      | Washer                                 | 1          |
| 14             | 300.37.105        | I档从动齿轮        | Driven gear.1st speed                  | 1          |
| 15             | 300.37.107        | II档从动齿轮       | Driven gear.2st speed                  | 1          |
| 16             | 300.37.109        | III档从动齿轮      | Driven gear.3st speed                  | 1          |
| 17             | 300.37.142        | 二轴隔离套         | Spacing sleeve.main shaft              | 1          |
| 18             | 非标准(Non-standard) | 滚针轴承K31×37×28 | Needle roller bearing K31×37×28        | 2          |
| 19             | 300.37.407        | 挡圈37          | Circlip 37                             | 2          |
| 20             | 300.37.110        | 二轴花键套         | Spline sleeve.main shaft               | 1          |
| 21             | 300.37.152        | 二轴后止推环        | Rear thrust ring.main shaft            | 1          |
| 22             | 300.37.134        | 高低档滑动齿轮       | Sliding gear.high-low speed            | 1          |
|                | 300.37.134A       | 高低档滑动齿轮(可选)   | Sliding gear.high-low speed (Selected) | 1          |

续. 传动箱第二轴(单作用)

Cont. Drive gearbox Main Shaft (Single stage clutch)

| 序号<br>Ser. No. | 代号<br>Part No. | 名称<br>Name                             | 数量<br>Qty. |
|----------------|----------------|--|------------|
| 23             | 300.37.431     | 挡圈38<br>Circlip for shaft 38           | 1          |
| 24             | GB/T283        | 滚动轴承NUP2308<br>Rolling bearing NUP2308 | 1          |
| 25             | 300.37.101     | 第二轴<br>Main shaft                      | 1          |



传动箱第二轴 (双作用离合器)  
Drive Gearbox Main Shaft (For dual stage clutch)

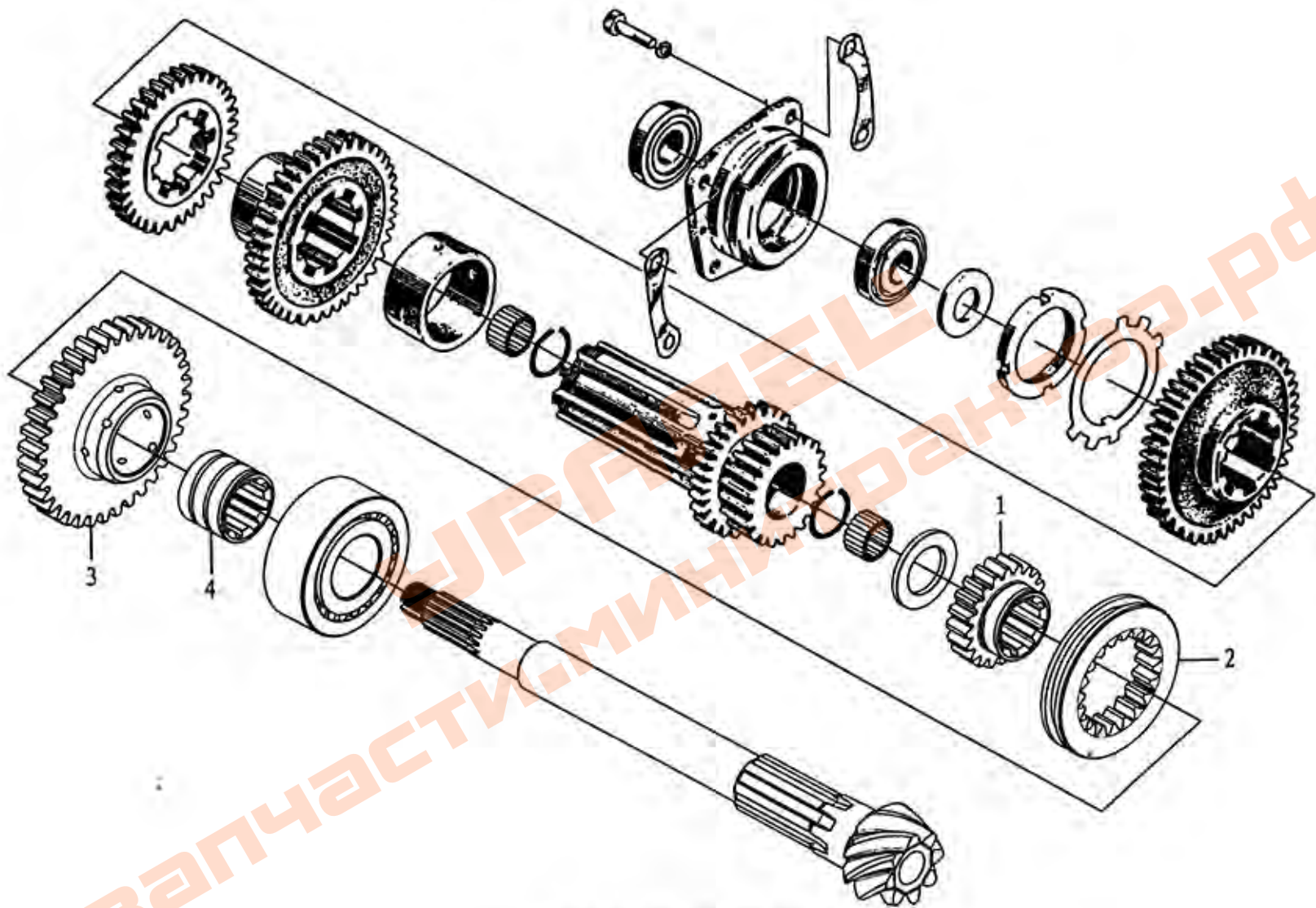
传动箱第二轴（双作用离合器）

Drive Gearbox Main Shaft ( For dual stage clutch )

| 序号<br>Ser. No. | 代号<br>Part No.    | 名称                | Name                                   | 数量<br>Qty. |
|----------------|-------------------|-------------------|--|------------|
| 1              | GB/T5783          | 螺栓M10×35          | Bolt M10×35                            | 4          |
| 2              | GB/T93            | 垫圈10              | Spring lock washer 10                  | 4          |
| 3              | GB/T297           | 滚动轴承31305         | Rolling bearing 31305                  | 2          |
| 4              | 304.37S.117       | 二轴前轴承套            | Front bearing sleeve, main shaft       | 1          |
| 5              | 300.37.132        | 二轴调整垫片0.1/0.2/0.5 | Adjusting shim 0.1/0.2/0.5, main shaft | △          |
| 6              | 304.37S.151       | 二轴前止推环            | Front thrust ring, main shaft          | 1          |
| 7              | GB/T810           | 小圆螺母M60×2         | Round nut M60×2                        | 1          |
| 8              | 300.37.430        | 圆螺母用止动垫圈          | Washer                                 | 1          |
| 9              | 304.37S.105       | I档从动齿轮            | Driven gear, 1st speed                 | 1          |
| 10             | 304.37S.109       | III档从动齿轮          | Driven gear, 3rd speed                 | 1          |
| 11             | 304.37S.107       | II档从动齿轮           | Driven gear, 2nd speed                 | 1          |
| 12             | 304.37S.142       | 二轴隔离套             | Spacing sleeve, main shaft             | 1          |
| 13             | 非标准(Non-standard) | 滚针轴承K31×37×28     | Needle roller bearing 31×37×28         | 2          |
| 14             | 300.37.407        | 挡圈37              | Cireclip for shaft 37                  | 2          |
| 15             | 304.37S.110       | 二轴花键套             | Spline sleeve, main shaft              | 1          |
| 16             | 300.37.152        | 二轴后止推环            | Rear thrust ring, main shaft           | 1          |
| 17             | 304.37S.112A-1    | 高低档滑动齿轮           | Sliding gear, high-low speed           | 1          |
| 18             | 300.37.431        | 挡圈38              | Cireclip for shaft 38                  | 1          |
| 19             | GB/T288           | 调心滚子轴承22308       | Self-aligning roller bearing 22308     | 1          |
| 20             | 304.37S.101       | 第二轴               | Main shaft                             | 1          |

△适量 Just right amount





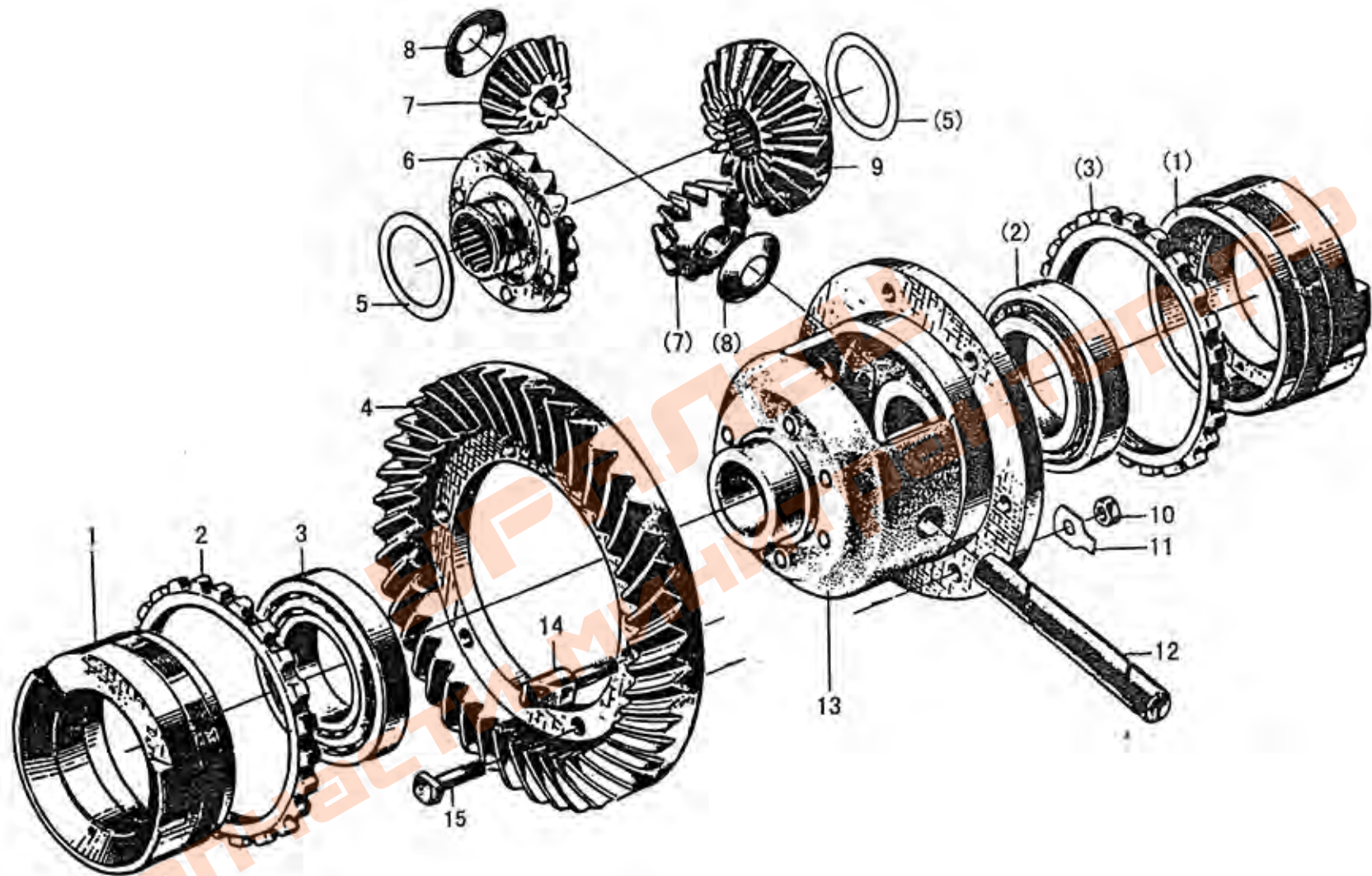
传动箱第二轴 (防掉档)  
Drive Gearbox Main Shaft

传动箱第二轴（防掉档）

Drive Gearbox Main Shaft ( )

| 序号<br>Ser. No. | 代号<br>Part No. | 名称        | Name                      | 数量<br>Qty. |
|----------------|----------------|-----------|---------------------------|------------|
| 1              | 300.37.261     | 高低档固定齿座   | High garde fixed gear     | 1          |
|                | 304.37S.220    | 高低档固定齿座   | High garde fixed gear     | 1          |
| 2              | 300.37.262     | 高低档啮合套    | High garde meshing sets   | 1          |
|                | 304.37S.221    | 高低档啮合套    | High garde meshing sets   | 1          |
| 3              | 300.37.134-1   | 低档从动齿轮    | Cheap driven gear         | 1          |
|                | 304.37S.112-1  | 低档从动齿轮    | Cheap driven gear         | 1          |
| 4              | 300.37.263     | 低档从动齿轮衬套  | Cheap driven gear bushing | 1          |
| 5              | GB/T283        | 轴承NUP2308 | Rolling bearing NUP2308   | 1          |

除标注零件外其余第二轴零件不变

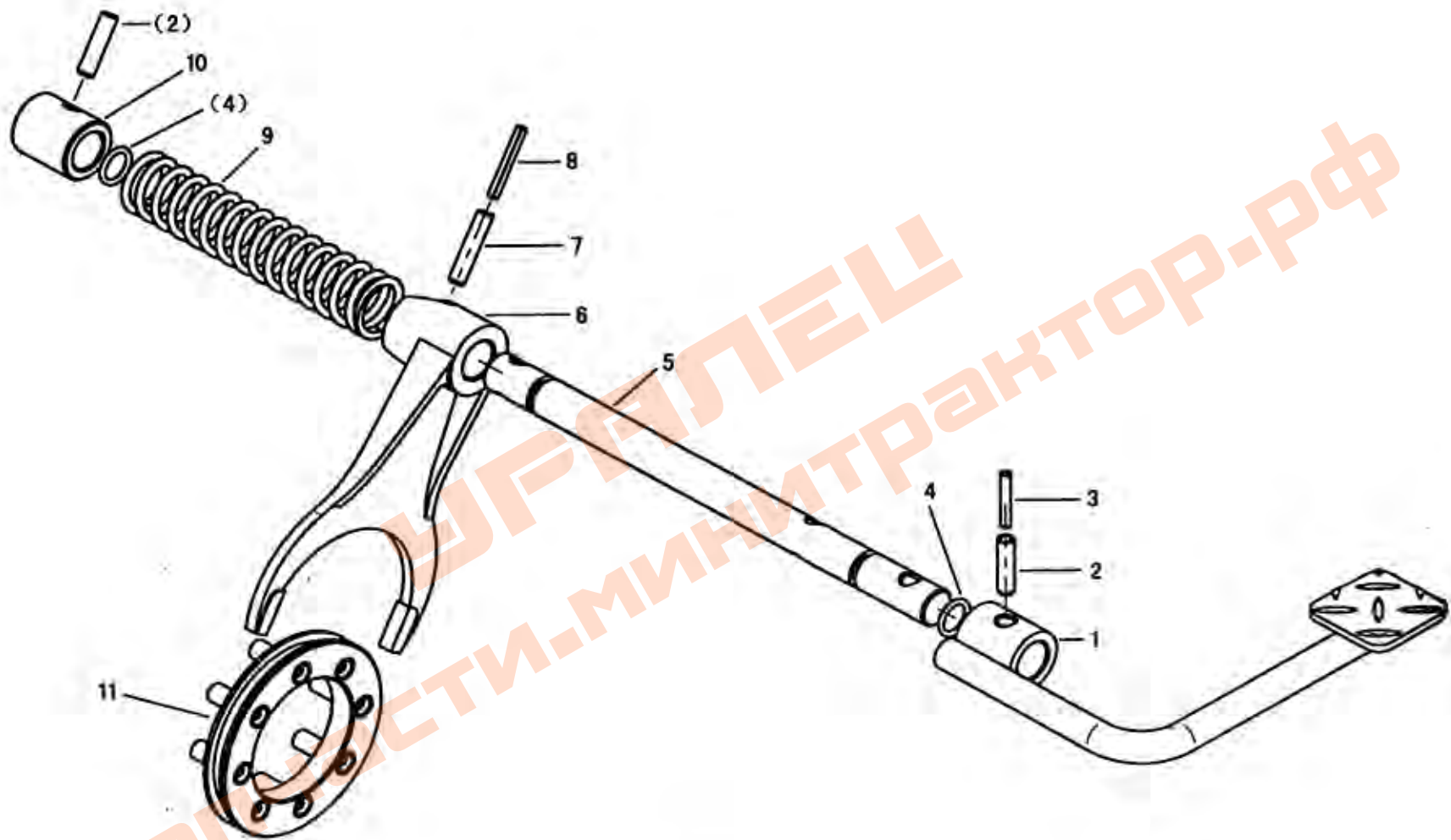


差速器  
Differential

差速器

Differential

| 序号<br>Ser. No. | 代号<br>Part No. | 名称          | Name                          | 数量<br>Qty. |
|----------------|----------------|-------------|-------------------------------|------------|
| 1              | 300.37.164     | 差速器轴承座      | Differential bearing seat     | 2          |
| 2              | 300.37.150     | 差速器调整螺母     | Differential adjusting nut    | 2          |
| 3              | GB/T297        | 圆锥滚子轴承30212 | Conical roller bearing 30212  | 2          |
| 4              | 300.37.180-1   | 大圆锥齿轮       | Large bevel gear              | 1          |
| 5              | 300.37.184-1   | 半轴齿轮垫片      | Washer,differential side gear | 2          |
| 6              | 300.37.182     | 右半轴齿轮       | Right differential side gear  | 1          |
| 7              | 300.37.201     | 行星齿轮        | Planet gear                   | 2          |
| 8              | 300.37.185-1   | 行星齿轮垫片      | Washer,planet gear            | 2          |
| 9              | 300.37.181     | 左半轴齿轮       | Left differential side gear   | 1          |
| 10             | GB/T6170       | 螺母M10       | Nut M10                       | 6          |
| 11             | GB/T855        | 垫圈10        | Washer 10                     | 6          |
| 12             | 300.37.183-1   | 行星齿轮轴       | Planet gear shaft             | 1          |
| 13             | 300.37.179-1   | 差速器壳        | Differential housing          | 1          |
| 14             | 300.37.205-1   | 止推螺栓        | Thrust bolt                   | 2          |
| 15             | 300.37.187     | 大圆锥齿轮螺栓     | Bolt,large bevel gear         | 4          |

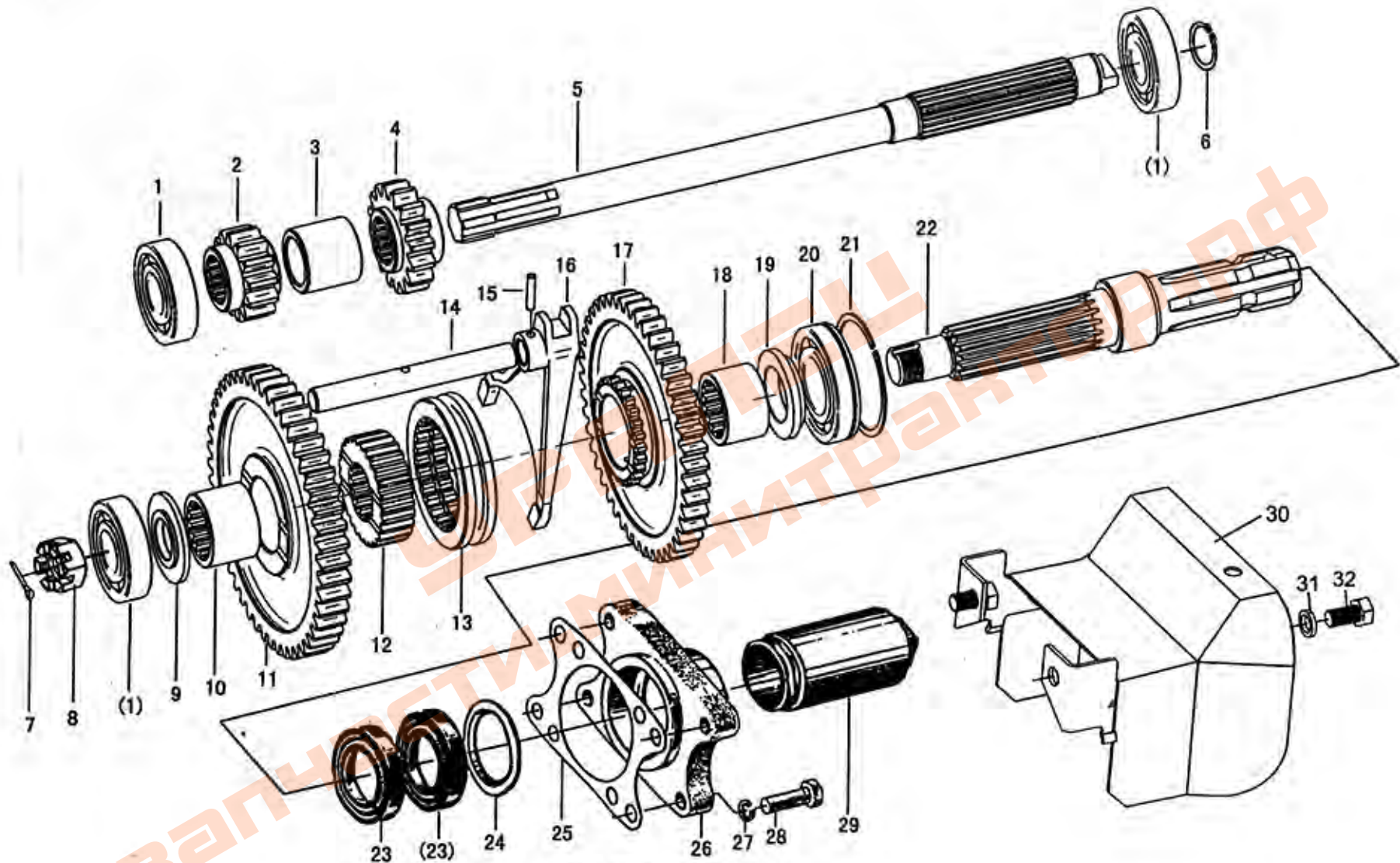


差速锁  
Differential Lock

差速锁

Differential Lock

| 序号<br>Ser. No. | 代号<br>Part No. | 名称           | Name              | 数量<br>Qty. |
|----------------|----------------|--------------|-------------------|------------|
| 1              | 300.37.015     | 差速锁踏板焊合件     | Pedal             | 1          |
| 2              | GB/T879        | 销8×32        | Pin 8×32          | 2          |
| 3              | GB/T879        | 销5×32        | Pin 5×32          | 1          |
| 4              | GB3452.1       | O形密封圈15×2.65 | O-ring 15×2.65    | 2          |
| 5              | 300.37.222     | 差速锁拨叉轴       | Fork shaft        | 1          |
| 6              | 300.37.221     | 差速锁拨叉        | Fork              | 1          |
| 7              | GB/T879        | 销8×40        | Pin 8×40          | 1          |
| 8              | GB/T879        | 销5×40        | Pin 5×40          | 1          |
| 9              | 300.37.223     | 差速锁回位弹簧      | Spring            | 1          |
| 10             | 300.37.224     | 轴套           | Bush              | 1          |
| 11             | 300.37.013     | 差速锁总成        | Differential lock | 1          |



动力输出 (啮合套换挡)  
Power Take-off (Meshing sleeve shift)

动力输出（啮合套换挡）

Power Take-Off ( Meshing sleeve shift )

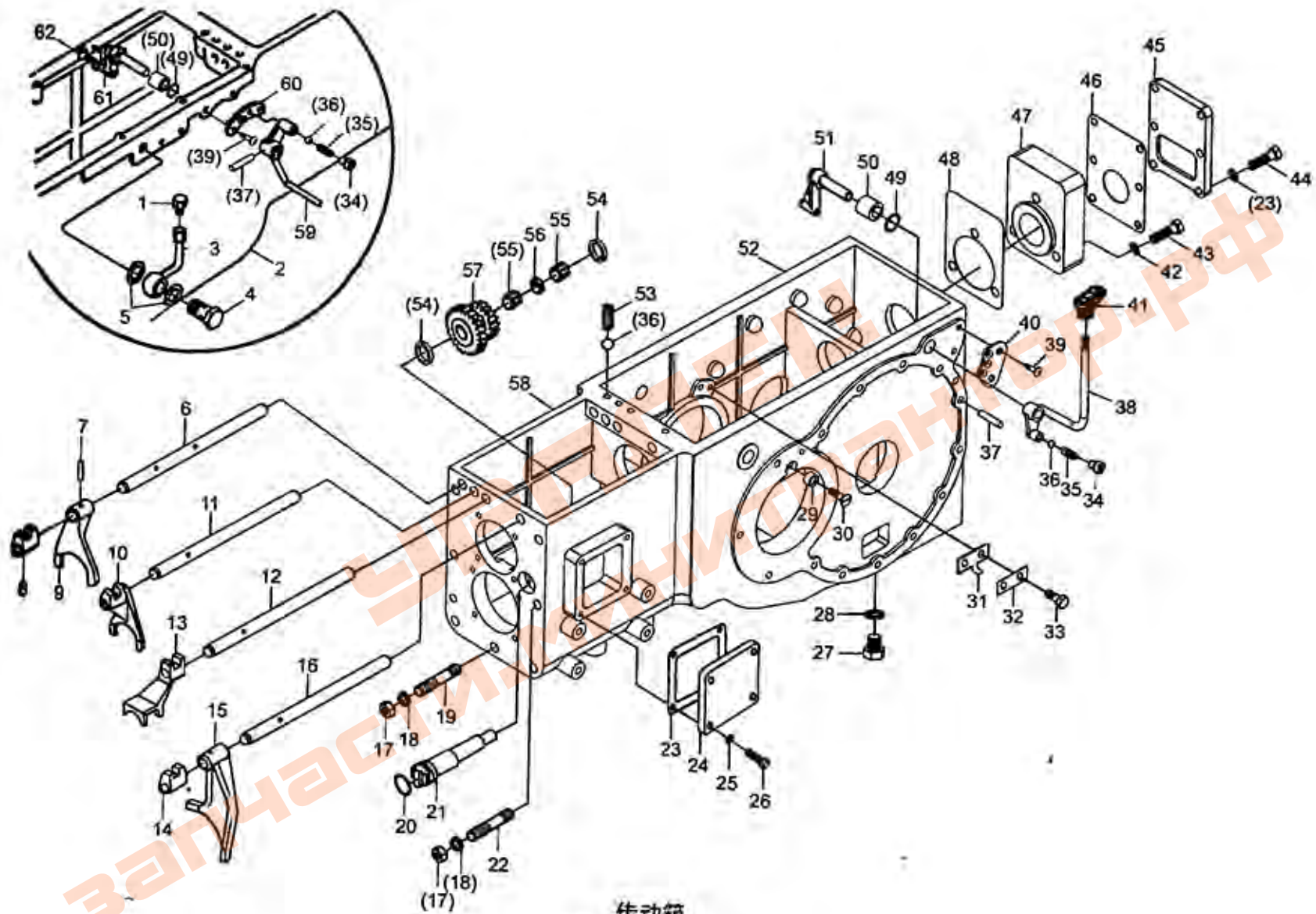
| 序号<br>Ser. No. | 代 号<br>Part No. | 名 称<br>Name               | 数量<br>Qty. |
|----------------|-----------------|---------------------------|------------|
| 1              | GB/T276         | 滚动轴承6305                  | 3          |
| 2              | 300.37.251      | 动力输出低速主动齿轮(540r/min)      | 1          |
| 3              | 300.37.253      | 隔套                        | 1          |
| 4              | 300.37.252      | 动力输出高速主动齿轮(720r/min)      | 1          |
| 5              | 300.37.102-2    | 输出主动轴                     | 1          |
| 6              | GB/T894.1       | 挡圈25                      | 1          |
| 7              | GB/T91          | 开口销5×40                   | 1          |
| 8              | GB/T9459        | 六角开槽薄螺母M24×2              | 1          |
| 9              | 300.37.254      | 动力输出轴前止推环                 | 1          |
| 10             | 300.37.255      | 输出低速齿轮滑套                  | 1          |
| 11             | 300.37.116-1    | 动力输出低速从动齿轮(540r/min)      | 1          |
| 12             | 300.37.257      | 啮合套座                      | 1          |
| 13             | 300.37.258      | 啮合套                       | 1          |
| 14             | 300.37.260      | 动力输出拨叉轴                   | 1          |
| 15             | GB/T879         | 销5×24                     | 1          |
| 16             | 300.37.259      | 动力输出轴拨叉                   | 1          |
| 17             | 300.37.115-1    | 动力输出高速从动齿轮(720r/min)      | 1          |
| 18             | 300.37.256      | 输出高速齿轮滑套                  | 1          |
| 19             | 300.37.155-1    | 输出轴后止推环                   | 1          |
| 20             | GB/T276         | 滚动轴承6207N                 | 1          |
| 21             | GB/T305         | 止动环72                     | 1          |
| 22             | 300.37.103A-2   | 动力输出轴(6-34.79×28.91×8.69) | 1          |
|                | 300.37.103-2    | 动力输出轴(8-38×31.4×6)        | 1          |



续. 动力输出 (啮合套换挡)

Cont. Power Take-Off ( Meshing sleeve shift )

| 序号<br>Ser. No. | 代号<br>Part No. | 名称          | Name                          | 数量<br>Qty. |
|----------------|----------------|-------------|-------------------------------|------------|
| 23             | GB/T9877.1     | 油封FB45×65×8 | Oil seal FB45×65×8            | 2          |
| 24             | 300.37.184-1   | 半轴齿轮垫片      | Washer,differential side gear | 1          |
| 25             | 300.37.172     | 后端盖垫片       | Gasket,rear end cover         | 1          |
| 26             | 300.37.118A-1  | 输出轴后端盖      | Rear end cover P.T.O.shaft    | 1          |
| 27             | GB/T93         | 垫圈10        | Spring lock washer 10         | 4          |
| 28             | GB/T5783       | 螺栓M10×35    | Bolt M10×35                   | 4          |
| 29             | 160.37.159-1   | 动力输出轴保护罩    | P.T.O.shaft guard             | 1          |
| 30             | 300.47.060-1   | 动力输出轴防护罩焊合件 | P.T.O.shaft guard             | 1          |
| 31             | GB/T93         | 垫圈16        | Washer 16                     | 2          |
| 32             | GB/T5783       | 螺栓M16×30    | Bolt M16×30                   | 2          |



传动箱  
Drive Gearbox

传动箱

Drive Gearbox

| 序号<br>Ser. No. | 代号<br>Part No. | 名称            | Name                         | 数量<br>Qty. |
|----------------|----------------|---------------|------------------------------|------------|
| 1              | 184.31.060     | 呼吸器总成         | Vent pipe cap                | 1          |
| 2              | 300.37.176-1   | 传动箱体          | Drive gearbox body           | 1          |
| 3              | 300.37.023-1   | 通气管焊合件        | Breather pipe weldment       | 1          |
| 4              | 300.37.307     | 通气管螺钉         | Screw, oil outlet pipe       | 1          |
| 5              |                | 复合垫圈16        | Compound washer 16           | 2          |
| 6              | 300.37.128-1   | Ⅲ-Ⅳ档拨叉轴-----① | 3rd-4th shift fork shaft     | 1          |
|                | 300.37.128-2   | Ⅲ-Ⅳ档拨叉轴-----② | 3rd-4th shift fork shaft     | 1          |
|                | 304.37S.128-1  | Ⅱ-Ⅳ档拨叉轴-----③ | 2nd-4th shift fork shaft     | 1          |
|                | 304.37S.128-2  | Ⅱ-Ⅳ档拨叉轴-----④ | 2nd-4th shift fork shaft     | 1          |
| 7              | GB/T 879       | 销5×24         | Pin 5×24                     | 8          |
| 8              | 300.37.137     | Ⅲ-Ⅳ档拨头        | 3rd-4th shift fork head      | 1          |
| 9              | 300.37.121     | I档拨叉-----①②   | 1th shift fork               | 1          |
|                | 304.37S.123    | Ⅱ-Ⅳ档拨叉-----③④ | 2nd-4th shift fork           | 1          |
| 10             | 300.37.122     | Ⅱ-倒档拨叉-----①② | 2nd-reverse shift fork       | 1          |
|                | 304.37S.122    | Ⅲ档拨叉-----③④   | 3rd shift fork               | 1          |
| 11             | 300.37.127-1   | Ⅱ-倒档拨叉轴-----① | 2nd-reverse shift fork shaft | 1          |
|                | 300.37.127-2   | Ⅱ-倒档拨叉轴-----② | 2nd-reverse shift fork shaft | 1          |
|                | 304.37S.127-1  | Ⅲ档拨叉轴-----③   | 3rd shift fork shaft         | 1          |
|                | 304.37S.127-2  | Ⅲ档拨叉轴-----④   | 3rd shift fork shaft         | 1          |
| 12             | 300.37.126-1   | I档拨叉轴-----①   | 1st shift fork shaft         | 1          |
|                | 300.37.126-2   | I档拨叉轴-----②   | 1st shift fork shaft         | 1          |
|                | 304.37S.126-1  | I-倒档拨叉轴-----③ | 1st-reverse shift fork shaft | 1          |
|                | 304.37S.126-2  | I-倒档拨叉轴-----④ | 1st-reverse shift fork shaft | 1          |

## 续. 传动箱

## Cont. Drive Gearbox

| 序号<br>Ser. No. | 代 号<br>Part No. | 名 称               | Name                                | 数量<br>Qty. |
|----------------|-----------------|-------------------|-------------------------------------|------------|
| 13             | 300.37.121      | I 档档拨叉-----①②     | 1st shift fork                      | 1          |
|                | 304.37S.121     | I -倒档拨叉-----③④    | 1st-reverse shift fork              | 1          |
| 14             | 300.37.138      | 高低档拨头             | High-low shift fork head            | 1          |
| 15             | 300.37.124      | 高低档拨叉-----①②      | High-low shift fork                 | 1          |
|                | 304.37S.124     | 高低档拨叉-----③④      | High-low shift fork                 | 1          |
| 16             | 300.37.129-1    | 高低档拨叉轴-----①②     | High-low shift fork shaft           | 1          |
|                | 304.37S.129-1   | 高低档拨叉轴-----③④     | High-low shift fork shaft           | 1          |
| 17             | GB/T 6176       | 螺母M14×1.5         | Nut M14×1.5                         | 7          |
| 18             | GB/T 93         | 垫圈14              | Spring lock washer 14               | 7          |
| 19             | GB/T 898        | 螺柱ΛM14-M14×1.5×75 | Stud ΛM14-M14×1.5×75                | 7          |
| 20             | GB/T 3452.1     | O形密封圈25.8×3.55    | O-ring 25.8×3.55                    | 1          |
| 21             | 300.37.120      | 倒档轴-----①②        | Reverse shaft                       | 1          |
|                | 304.37S.120     | 倒档轴-----③④        | Reverse shaft                       | 1          |
| 22             | GB/T 898        | 螺柱ΛM14-M14×1.5×50 | Stud ΛM14-M14×1.5×50                | 4          |
| 23             | 300.37.306      | 垫片                | Gasket                              | 1          |
| 24             | 300.37.303      | 盖板                | Blank cover                         | 1          |
| 25             | GB/T 93         | 垫圈8               | Spring lock washer 8                | 8          |
| 26             | GB/T 5783       | 螺栓M8×25           | Bolt M8×25                          | 4          |
| 27             | 400.38.024      | 六角头磁性螺塞M20×1.5    | Bolt M20×1.5                        | 1          |
| 28             |                 | 复合垫圈20            | Compound washer 16                  | 1          |
| 29             | 300.37.175      | 差速器轴承座导向键         | Guide key,differential bearing seat | 1          |
| 30             | GB/T 1819       | 螺钉M8×16           | Screw M8×16                         | 1          |
| 31             | 300.37.166      | 调整螺母定位片           | Locating plate,adjusting nut        | 2          |

## 续. 传动箱

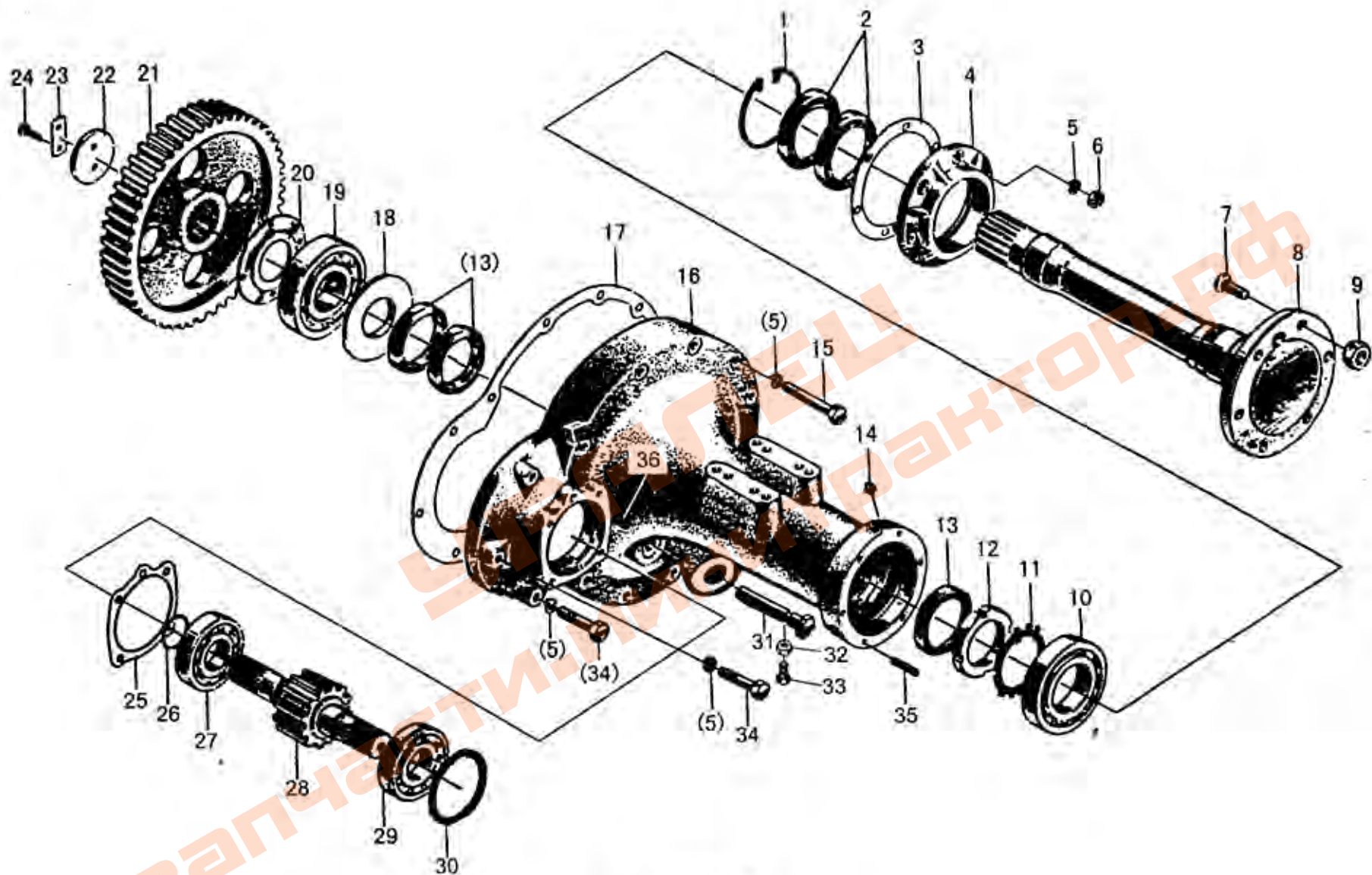
## Cont. Drive Gearbox

| 序号<br>Ser. No. | 代号<br>Part No. | 名称<br>Name             | 数量<br>Qty. |
|----------------|----------------|------------------------|------------|
| 32             | 300.37.167     | 定位片锁片                  | 2          |
| 33             | GB/T 5783      | 螺栓M8×16                | 4          |
| 34             | 300.37.302     | 螺塞M10×1                | 2          |
| 35             | 300.37.301-1   | 弹簧                     | 2          |
| 36             | GB/T 308       | 钢球11/32" (8.7312G400b) | 5          |
| 37             | GB/T 119       | 销D12×25                | 4          |
| 38             | 300.37.020     | 动力输出轴拨叉焊接总成            | 1          |
| 39             | GB/T 818       | 螺钉M8×14                | 2          |
| 40             | 300.37.165-1   | 动力轴操纵杆定位片              | 1          |
| 41             | 700.38.051     | 拉压手柄合件                 | 1          |
| 42             | GB/T 859       | 垫圈10                   | 3          |
| 43             | GB/T 70        | 螺钉M10×30               | 3          |
| 44             | GB/T 5783      | 螺栓M8×30                | 6          |
| 45             | 184.37.416-1   | 盖板                     | 1          |
| 46             | 300.54.107     | 油泵纸垫                   | 1          |
| 47             | 300.54.105     | 油泵垫板                   | 1          |
| 48             | 300.54.106     | 纸垫                     | 1          |
| 49             | GB/T 3452.1    | O形密封圈15×2.65           | 2          |
| 50             | 300.37.177     | 输出拨叉轴衬套                | 2          |
| 51             | 300.37.131-1   | 动力输出换挡拨头               | 1          |
| 52             | 300.37.156     | 传动箱后纸垫                 | 1          |
| 53             | 160.37.148     | 拨叉轴锁定弹簧-----①①         | 1          |
|                | 160.37.148     | 拨叉轴锁定弹簧-----②③         | 4          |

## 续. 传动箱

## Cont.Drive Gearbox

| 序号<br>Ser. No. | 代 号<br>Part No.   | 名 称<br>Name  | 数量<br>Qty. |
|----------------|-------------------|--|------------|
| 54             | 300.37.432        | 倒档轴止推环-----①② Thrust ring,reverse shaft              | 1          |
|                | 304.37S.154       | 倒档轴止推环 I -----③④ Thrust ring,reverse shaft I         | 1          |
| 55             | 非标准(Non-standard) | 滚针轴承K20×25×20 Needle roller bearing K20×25×20        | 2          |
| 56             | 300.37.414        | 倒档轴滚针轴承隔圈 Spacing sleeve                             | 1          |
| 57             | 300.37.113        | 倒档齿轮-----①② Reverse gear                             | 1          |
|                | 304.37S.113       | 倒档齿轮-----③④ Reverse gear                             | 1          |
| 58             | 300.37.169        | 箱盖垫片 Gasket,box cover                                | 1          |
| 59             | 160.37.112        | 倒档轴前止推环-----①② Release fork shaft                    | 1          |
|                | 304.37S.153       | 倒档轴止推环-----③④ Thrust ring,reverse shaft              | 1          |
| 60             | 300.37.021        | 分离拨叉焊接总成 Release fork weldment assembly              | 1          |
| 61             | 300.37.139        | 动力输出轴拨头 P.T.O. shaft fork head                       | 1          |
| 62             | 300.37.154-I      | 分离拨叉轴 Release fork shaft                             | 1          |
| 63             | 300.37.163        | 动力输出轴分离杆定位片 Locating plate,P.T.O.shaft release lever | 1          |



末端传动总成  
Final Drive Assembly

## 末端传动总成

## Final Drive Assembly

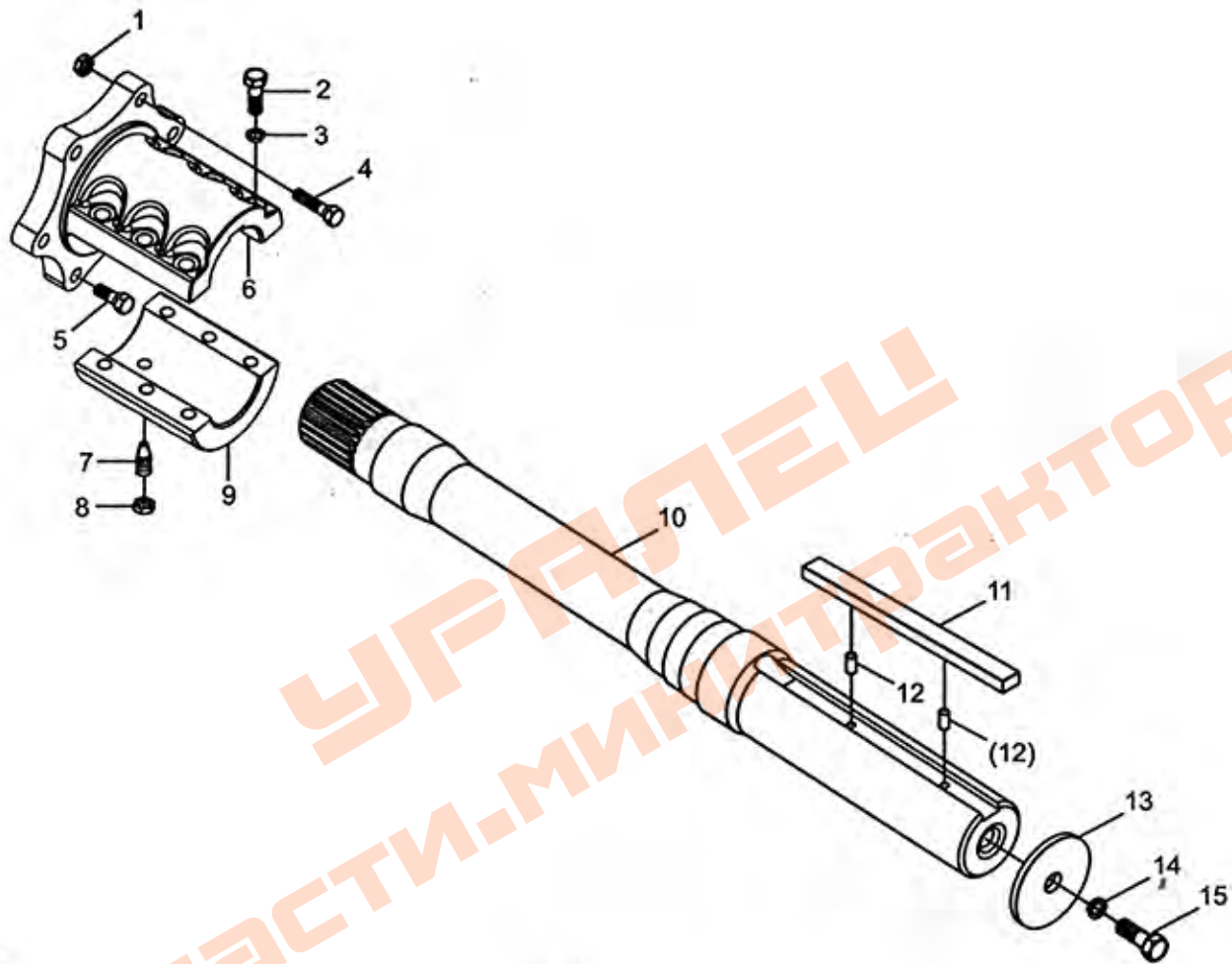
| 序号<br>Ser. No. | 代号<br>Part No. | 名称            | Name                                      | 数量<br>Qty. |
|----------------|----------------|---------------|---|------------|
| 1              | GB893.1        | 挡圈100         | Circlip for hole 100                      | 2          |
| 2              | GB/T 9877.1    | 油封FB75×100×10 | Oil seal FB 75×100×10                     | 4          |
| 3              | 300.39.119     | 驱动轴压盖纸垫       | Paper gasket,driving shaft pressing cover | 2          |
| 4              | 300.39.106     | 驱动轴压盖         | Driving shaft pressing cover              | 2          |
| 5              | GB/T 93        | 垫圈10          | Spring lock washer 10                     | 40         |
| 6              | GB/T 6170      | 螺母M10         | Nut M10                                   | 12         |
| 7              | 300.39.113     | 螺栓            | Wheel fixing screw                        | 12         |
| 8              | 300.39.102-1   | 驱动轴           | Driving shaft                             | 2          |
| 9              | 300.39.114     | 螺母            | Wheel fixing nut                          | 12         |
| 10             | GB/T 276       | 轴承6213        | Rolling bearing 6213                      | 2          |
| 11             | GB/T 858       | 垫圈64          | Washer 64                                 | 2          |
| 12             | GB/T 812       | 螺母M64×2       | Nut M64×2                                 | 2          |
| 13             | GB/T 9877.1    | 油封FB60×85×8   | Oil seal FB 60×85×8                       | 6          |
| 14             | GB/T 17940.1   | 直通式压注油杯M10×1  | Oil cup M10×1                             | 2          |
| 15             | GB/T 5782      | 螺栓M10×75      | Bolt M10×75                               | 22         |
| 16             | 300.39.201B    | 左末端传动壳体       | Left final drive housing                  | 1          |
|                | 300.39.202B    | 右末端传动壳体       | Right final drive housing                 | 1          |
| 17             | 300.39.108     | 末端传动壳体纸垫      | Paper gasket,final drive housing          | 2          |
| 18             | 300.39.112     | 垫板            | Stool plate                               | 2          |
| 19             | GB/T 283       | 轴承NU311E      | Rolling bearing NU311E                    | 2          |
| 20             | 300.39.111     | 挡板            | Stop plate                                | 2          |
| 21             | 300.39.105     | 末端传动大齿轮(53齿)  | Large gear,final drive (53 teeth)         | 2          |
|                | 300.39.105-1   | 末端传动大齿轮(52齿)  | Large gear,final drive (52 teeth)         | 2          |



## 续 末端传动总成

## Con. Final Drive Assembly

| 序号<br>Ser. No. | 代 号<br>Part No. | 名 称<br>Name   | 数量<br>Qty. |
|----------------|-----------------|---------------|------------|
| 22             | 300.39.110      | 压板            | 2          |
| 23             | 300.39.109      | 保险垫片          | 2          |
| 24             | GB/T 5783       | 螺栓M8×20-8.8   | 4          |
| 25             | 300.39.203      | 制动器鼓壳纸垫       | 2          |
| 26             | GB/T 895.2      | 挡圈40          | 2          |
| 27             | GB/T 276        | 轴承6308        | 2          |
| 28             | 300.39.124      | 末端传动小齿轮(13齿)  | 2          |
|                | 300.39.124-1    | 末端传动小齿轮(14齿)  | 2          |
| 29             | GB/T 276        | 轴承6308N       | 2          |
| 30             | GB/T 305        | 止动环90/94.4    | 2          |
| 31             | 300.39.204-1    | 销子轴           | 2          |
| 32             | GB/T6172        | 螺母M12         | 2          |
| 33             | GB/T85          | 螺钉M12×35      | 2          |
| 34             | GB/T 5782       | 螺栓M10×60      | 6          |
| 35             | GB/T 898        | 螺柱AM10-M10×28 | 12         |
| 36             | GB/T 119        | 销D10×20       | 2          |

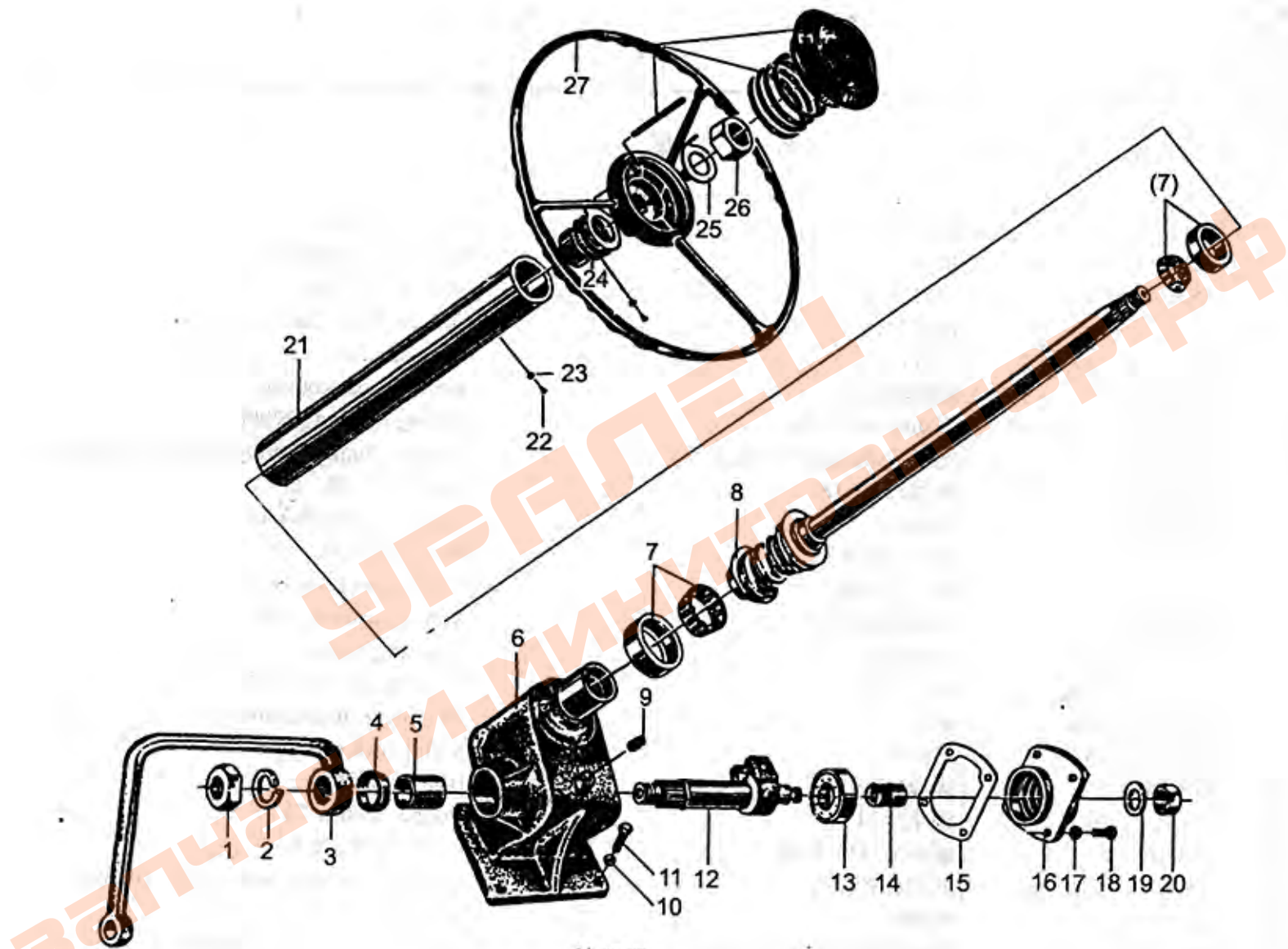


末端传动总成  
Final Drive Assembly

## 末端传动总成

## Final Drive Assembly

| 序号<br>Ser. No. | 代 号<br>Part No. | 名 称           | Name                | 数量<br>Qty. |
|----------------|-----------------|---------------|---------------------|------------|
| 1              | GB/T6170        | 螺母M14         | Nut M14             | 4          |
| 2              | GB/T5782        | 螺栓M12×55-10.9 | Bolt M12×55-10.9    | 12         |
| 3              | GB/T93          | 垫圈12          | Washer 12           | 12         |
| 4              | 300.34.132A     | 轮毂螺栓          | Wheel bolts         | 4          |
| 5              | 300.34.132      | 轮毂螺栓          | Wheel bolts         | 8          |
| 6              | 300.34.130      | 驱动轮轮毂         | Driving wheel hub   | 2          |
| 7              | GB/T75          | 止动螺钉M12×30    | Bolt M12×30         | 2          |
| 8              | GB/T6170        | 螺母M12         | Nut M12             | 2          |
| 9              | 300.34.131      | 驱动轮轮毂盖        | Driving wheel cover | 2          |
| 10             | 300.39.102A     | 驱动轴           | Driving shaft       | 2          |
| 11             | 300.39.126      | 平键            | straight key        | 2          |
| 12             | GB/T119         | 销B6×12        | PinB6×12            | 4          |
| 13             | 300.39.127      | 挡圈            | ring                | 2          |
| 14             | GB/T93          | 垫圈16          | Washer 16           | 2          |
| 15             | GB/T5783        | 螺栓M16×40      | Bolt M16×40         | 2          |



转向器  
Steering Gear

## 转向器

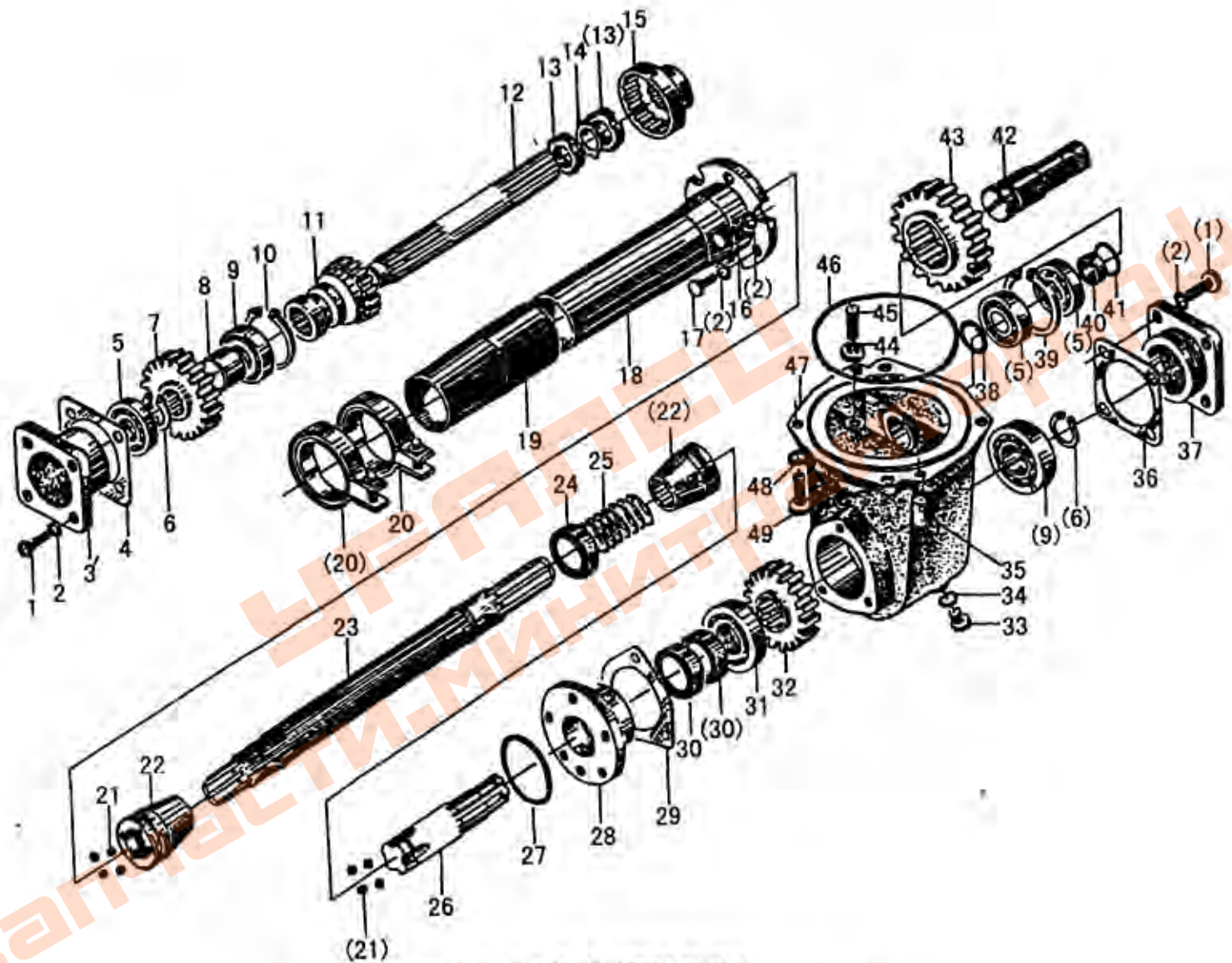
## Steering Gear

| 序号<br>Ser. No. | 代号<br>Part No.  | 名称                | Name                                       | 数量<br>Qty. |
|----------------|-----------------|-------------------|--|------------|
| 1              | GB/T6171        | 螺母M22×1.5         | Nut M22×1.5                                | 1          |
| 2              | GB/T93-1987     | 垫圈22              | Spring lock washer 22                      | 1          |
| 3              | TS30.40.101-1A  | 转向垂臂              | Steering rock arm                          | 1          |
| 4              |                 | 油封44×32×10        | Oil seal 44×32×10                          | 1          |
| 5              | TS.30.40.110    | 摇臂衬套              | Rock arm bush                              | 1          |
| 6              | TS30.40.109A    | 转向器壳体             | Steering gear housing                      | 1          |
| 7              | 非标准Non-standard | 滚动轴承977908        | Rolling bearing 977908                     | 2          |
| 8              | TS30.40.012A    | 转向轴带转向蜗杆总成        | Steering shaft assembly with steering worm | 1          |
| 9              | ZBT32001.4      | 螺塞Z1/4"-18        | Plug Z1/4"-18                              | 1          |
| 10             | GB/T93          | 垫圈10              | Spring lock washer 10                      | 4          |
| 11             | GB/T5781        | 螺栓M10×30          | Bolt M10×30                                | 4          |
| 12             | TS30.40.017     | 转向摇臂轴             | Steering rock arm shaft                    | 1          |
| 13             | GB/T276         | 滚动轴承6205          | Rolling bearing 6205                       | 1          |
| 14             | TS30.40.202     | 调整螺钉              | Adjusting screw                            | 1          |
| 15             | TS25A.40.208    | 侧盖衬块              | Steering gear side cover                   | 1          |
| 16             | TS30.40.207A    | 侧盖                | Steering gear side cover                   | 1          |
| 17             | GB/T93-1987     | 垫圈8               | Spring lock washer 8                       | 4          |
| 18             | GB/T5781        | 螺栓M8×20           | Bolt M8×20                                 | 4          |
| 19             | TS30.40.402     | 铜垫片24             | Copper washer 24                           | 1          |
| 20             | GB/T6173        | 螺母M24*1.5-8.8     | Nut M24*1.5-8.8                            | 1          |
| 21             | TS30.40.108A    | 转向柱管组合            | Portfolio management steering columns      | 1          |
| 22             | GB/T93          | 垫圈4               | Spring lock washer 4                       | 1          |
| 23             | GB/T845         | 自攻螺钉ST4.2×9.5-C-Z | Tapping screw ST4.2×9.5-C-Z                | 1          |

## 续. 转向器

## Cont. Steering Gear

| 序号<br>Ser. No. | 代号<br>Part No. | 名称                | Name                        | 数量<br>Qty. |
|----------------|----------------|-------------------|-----------------------------|------------|
| 24             | 24.40.024      | 接触环总成             | Contact ring assembly       | 1          |
|                | GB/T845        | 自攻螺钉ST4.2×9.5-C-Z | Tapping screw ST4.2×9.5-C-Z | 2          |
|                | 24.40.119      | 触环                | Contact ring                | 1          |
|                | GB/T859        | 垫圈4               | Spring lock washer 4        | 2          |
|                | 24.40.200      | 环座                | Ring base                   | 1          |
| 25             | GB/T97.1       | 垫圈16              | Washer 16                   | 1          |
| 26             | GB/T6173       | 螺母M16×1.5-8.8     | Nut M16×1.5                 | 1          |
| 27             | 160.40.019     | 转向盘总成             | Steering-wheel assembly     | 1          |



分动箱传动轴总成（四轮驱动）  
Transfer Case Drive Shaft Assembly (Four wheel drive)

## 分动箱传动轴总成(四轮驱动)

## Transfer Case Drive Shaft Assembly ( Four wheel drive )

| 序号<br>Ser. No. | 代 号<br>Part No. | 名 称             | Name                                      | 数量<br>Qty. |
|----------------|-----------------|-----------------|---|------------|
| 1              | GB/T5783        | 螺栓M8×20         | Bolt M8×20                                | 8          |
| 2              | GB/T93          | 垫圈8             | Spring lock washer 8                      | 14         |
| 3              | 304.42.116      | 传动轴轴承盖          | Drive shaft bearing cap                   | 1          |
| 4              | 304.42.117      | 轴承盖纸垫           | Paper gasket,bearing cap                  | 1          |
| 5              | GB/T276         | 轴承6304          | Rolling bearing 6304                      | 3          |
| 6              | GB/T894.1       | 挡圈25            | Circlip for shaft 25                      | 1          |
| 7              | 304.42.119-1    | 分动箱动力输入齿轮       | Power input gear.transfer case            | 1          |
| 8              | 304.42.120      | 隔离套             | Spacing sleeve                            | 1          |
| 9              | GB/T276         | 轴承6305          | Rolling bearing 6305                      | 2          |
| 10             | GB/T893.1       | 挡圈62            | Circlip for hole 62                       | 1          |
| 11             | 304.42.122-1    | 齿轮联轴节           | Gear coupling                             | 1          |
|                | 304.42.122A     | 齿轮联轴节(配双作用)     | Gear coupling (for dual stage clutch)     | 1          |
| 12             | 304.42.118-1    | 动力输入轴           | Power input shaft                         | 1          |
|                | 304.42.118A     | 动力输入轴(配双作用)     | Power input shaft (for dual stage clutch) | 1          |
| 13             | GB/T812         | 螺母M20×1.5       | Nut M20×1.5                               | 2          |
| 14             | GB/T858         | 垫圈20            | Washer 20                                 | 1          |
| 15             | 304.42.123A     | 联接内齿轮           | Connecting internal gear                  | 1          |
| 16             | GB/T5783        | 螺栓M8×25         | Bolt M8×25                                | 3          |
| 17             | GB/T5783        | 螺栓M8×16         | Bolt M8×16                                | 3          |
| 18             | 304.42.011      | 联轴节护罩焊合件(250mm) | Coupling guard weldment (250mm)           | 1          |
|                | 304.42.011A     | 联轴节护罩焊合件(425mm) | Coupling guard weldment(425mm)            | 1          |
|                | 304.42.011B     | 联轴节护罩焊合件(487mm) | Coupling guard weldment(487mm)            | 1          |
| 19             | 304.42.112      | 外防尘圈            | Outside dust ring                         | 1          |



## 续. 分动箱传动轴总成 (四轮驱动)

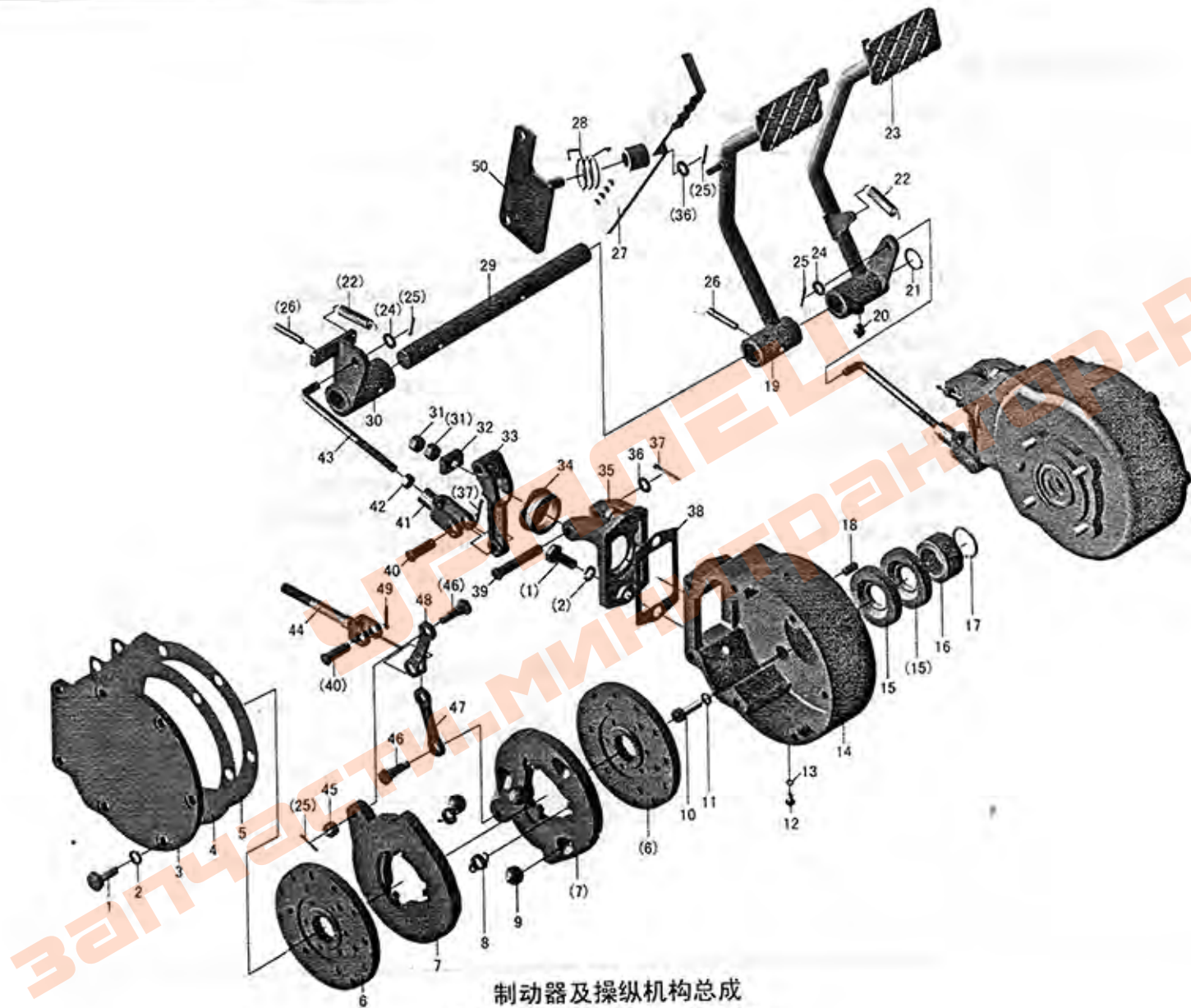
## Cont. Transfer Case Drive Shaft Assembly ( Four wheel drive )

| 序号<br>Ser. No. | 代 号<br>Part No. | 名 称               | Name                           | 数量<br>Qty. |
|----------------|-----------------|-------------------|--------------------------------|------------|
| 20             |                 | 包箍44-64           | Clip 44-64                     | 2          |
| 21             | GB/T308         | 钢球12.7000 G400 b  | Steel ball 12.7000 G400 b      | 8          |
| 22             | 304.42.121      | 滚珠联轴节             | Ball coupling shaft            | 2          |
| 23             | 304.42.127      | 联轴节轴(527mm)       | Coupling shaft (527mm)         | 1          |
|                | 304.42.127A     | 联轴节轴(683mm)       | Coupling shaft (683mm)         | 1          |
|                | 304.42.127B     | 联轴节轴(746mm)       | Coupling shaft (746mm)         | 1          |
| 24             | 12.37.148       | 防护罩               | Guard                          | 1          |
| 25             | 184.42.107      | 压紧弹簧              | Compression spring             | 1          |
| 26             | 304.42.105      | 分动箱动力输出轴          | Transfer case P.T.O.shaft      | 1          |
| 27             | GB/T3452.1      | O形密封圈61.5×3.55    | O-ring 61.5×3.55               | 1          |
| 28             | 304.42.108      | 油封座               | Oil seal seat                  | 1          |
| 29             | 304.42.109      | 纸垫                | Paper gasket                   | 1          |
| 30             | GB/T9877.1      | 旋转轴唇形密封圈F130×50×8 | Oil seal F130×50×8             | 1          |
| 31             | GB/T276         | 轴承6206            | Rolling bearing 6206           | 1          |
| 32             | 304.42.107      | 分动箱动力输出齿轮         | Transfer case P.T.O.gear       | 1          |
| 33             | 304.31.152      | 螺塞                | Oil drain plug                 | 1          |
| 34             | GB/T3452.1      | O形密封圈14×2.65      | O-ring 14×2.65                 | 1          |
| 35             | GB/T119         | 销D10×22           | Parallel pin D10×22            | 2          |
| 36             | 304.42.106      | 后轴承盖纸垫            | Paper gasket ,rear bearing cap | 1          |
| 37             | 304.42.104      | 分动箱后轴承盖           | Rear bearing cap,transfer case | 1          |
| 38             | GB/T3452.1      | O形密封圈20×2.65      | O-ring 20×2.65                 | 1          |
| 39             | GB/T893.1       | 挡圈52              | Circlip for hole 52            | 1          |
| 40             | 304.42.130      | 隔离套               | Spacing sleeve                 | 1          |

续. 分动箱传动轴总成 (四轮驱动)

Cont. Transfer Case Drive Shaft Assembly ( Four wheel drive )

| 序号<br>Ser. No. | 代号<br>Part No. | 名称             | Name                            | 数量<br>Qty. |
|----------------|----------------|----------------|---------------------------------|------------|
| 41             | GB/T3452.1     | O形密封圈10.6×2.65 | O-ring 10.6×2.65                | 1          |
| 42             | 304.42.101     | 分动箱中间轴         | Intermediate axle,transfer case | 1          |
| 43             | 304.42.103     | 分动箱中间齿轮        | Intermediate gear,transfer case | 1          |
| 44             | GB/T6170       | 螺母M8           | Nut M8                          | 1          |
| 45             | GB/T171        | 螺钉M8×30        | Screw M8×30                     | 1          |
| 46             | GB/T3452.1     | O形密封圈128×3.55  | O-ring 128×3.55                 | 1          |
| 47             | 304.42.102-1   | 分动箱体           | Transfer case body              | 1          |
| 48             | GB/T193        | 垫圈10           | Spring lock washer 10           | 4          |
| 49             | GB/T5783       | 螺栓M10×25       | Bolt M10×25                     | 4          |



制动器及操纵机构总成  
Brake and operation mechanism

## 制动器及操纵机构总成

## Brake and Operation Mechanism

| 序号<br>Ser. No. | 代号<br>Part No. | 名称                 | Name                  | 数量<br>Qty. |
|----------------|----------------|--------------------|-----------------------|------------|
| 1              | GB/T 5783      | 螺栓M12×30           | Bolt M12×30           | 18         |
| 2              | GB/T 93        | 垫圈12               | Washer 12             | 18         |
| 3              | 300.43.102-1   | 制动器盖               | Cover                 | 2          |
| 4              | 300.43.105-1   | 制动器盖纸垫80.5         | Gasket 80.5           | 2          |
| 5              | 300.43.105     | 制动器盖纸垫80.3         | Gasket 80.3           | 2          |
| 6              | 300.43.012     | 摩擦片总成              | Friction disc assy    | 4          |
| 7              | 300.43.111     | 压盘                 | Pressure plate        | 4          |
| 8              | 250.43.112     | 压盘回位弹簧             | Spring                | 6          |
| 9              | GB/T 308       | 钢球22.2250G40±0(±0) | Ball 22.2250G40±0(±0) | 6          |
| 10             | GB/T 70        | 螺钉M10×30           | Screw M10×30          | 8          |
| 11             | GB/T 93        | 垫圈10               | Washer 10             | 8          |
| 12             | GB/T 5783      | 螺栓M6×10            | Bolt M6×10            | 2          |
| 13             | GB/T 97.1      | 垫圈6                | Washer 6              | 2          |
| 14             | 300.43.101     | 制动器壳               | Brake case            | 2          |
| 15             | JB/T 2600      | 油封PD55×75×12       | Oil seal PD55×75×12   | 4          |
| 16             | 300.43.121-1   | 油封套圈               | Sleeve                | 2          |
| 17             | GB 3452.1      | O形密封圈33.5×3.55     | O-ring 33.5×3.55      | 2          |
| 18             | GB/T 119       | 销10×20             | Pin 10×20             | 2          |
| 19             | 300.43.014-2   | 左制动踏板焊合件           | Left pedal            | 1          |
| 20             | GB/T 7940.1    | 直通式压注油杯M10×1       | Grease cup M10×1      | 1          |
| 21             | GB/T 894.1     | 挡圈25               | Circlip 25            | 1          |
| 22             | 160.21.105     | 离合器踏板弹簧            | Spring                | 2          |
| 23             | 300.43.015-2   | 右制动器踏板焊合件          | Right pedal           | 1          |

## 续. 制动器及操纵机构总成

## Cont. Brake and Operation Mechanism

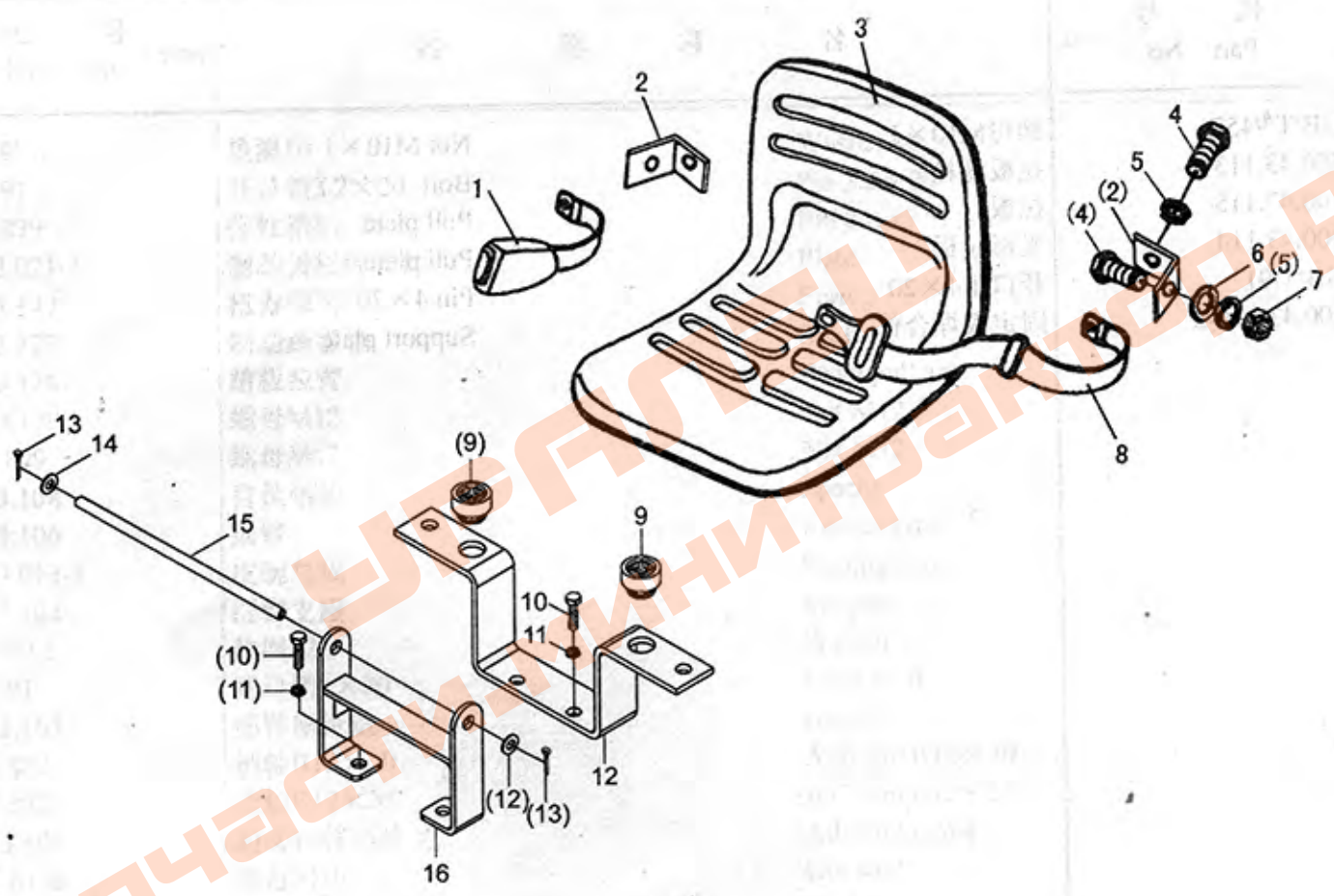
| 序号<br>Ser. No. | 代号<br>Part No. | 名称            | Name                         | 数量<br>Qty. |
|----------------|----------------|---------------|------------------------------|------------|
| 24             | GB/T 97.1      | 垫圈10          | Washer 10                    | 2          |
| 25             | GB/T 91        | 开口销3.2×20     | Pin 3.2×20                   | 7          |
| 26             | GB/T 879       | 弹性销8×45       | Pin 8×45                     | 2          |
| 27             | 160.43.021-1   | 制动齿板焊合件       | Plate                        | 1          |
| 28             | 160.43.147     | 扭力弹簧          | Spring                       | 1          |
| 29             | 300.43.127     | 制动踏板轴         | Shaft                        | 1          |
| 30             | 300.43.126     | 踏板拉臂          | Pedal pull arm               | 1          |
| 31             | GB/T 6170      | 螺母M12         | Nut M12                      | 2          |
|                | GB/T 899       | 螺母M12         | Nut M12                      | 2          |
| 32             | 300.43.108     | 自位垫块          | Spacer                       | 2          |
| 33             | 300.43.106     | 摇臂            | Rocker arm                   | 2          |
| 34             | 300.43.013-1   | 皮碗总成          | Scaling cap                  | 2          |
| 35             | 300.43.104     | 摇臂支座          | Support                      | 2          |
| 36             | GB/T 97.1      | 垫圈12          | Washer 12                    | 3          |
| 37             | GB/T 91        | 开口销4×30       | Pin 4×30                     | 4          |
| 38             | 300.43.103     | 摇臂座纸垫         | Gasket                       | 2          |
| 39             | GB/T 882-      | 销轴B12×70      | Axis pin B12×70              | 2          |
| 40             | GB/T 882       | 销轴B12×35      | Axis pin B12×35              | 4          |
| 41             | 300.43.109     | 制动拉杆调整叉       | Adjusting yolk               | 2          |
| 42             | GB/T 6170      | 螺母M10         | Nut M10                      | 2          |
| 43             | 300.43.110     | 制动拉杆          | Rod                          | 2[1]       |
|                | 300.43.020     | 右制动拉杆焊合件(配气刹) | Right rod (for air bracking) | 1          |
| 44             | 300.43.116     | 调节杆           | Adjusting Rod                | 2          |

续. 制动器及操纵机构总成

Cont. Brake and Operation Mechanism

| 序号<br>Ser. No. | 代号<br>Part No. | 名称<br>Name              | 数量<br>Qty. |
|----------------|----------------|-------------------------|------------|
| 45             | GB/T 9457      | 螺母M10×1<br>Nut M10×1    | 4          |
| 46             | 300.43.113-1   | 拉板螺栓<br>Bolt            | 4          |
| 47             | 300.43.115     | 拉板<br>Pull plate        | 2          |
| 48             | 300.43.114     | 叉形拉板<br>Pull plate      | 2          |
| 49             | GB/T 91        | 开口销4×20<br>Pin 4×20     | 2          |
| 50             | 300.43.016-2   | 固定板焊合件<br>Support plate | 2          |

1 | 内配气刹时数量



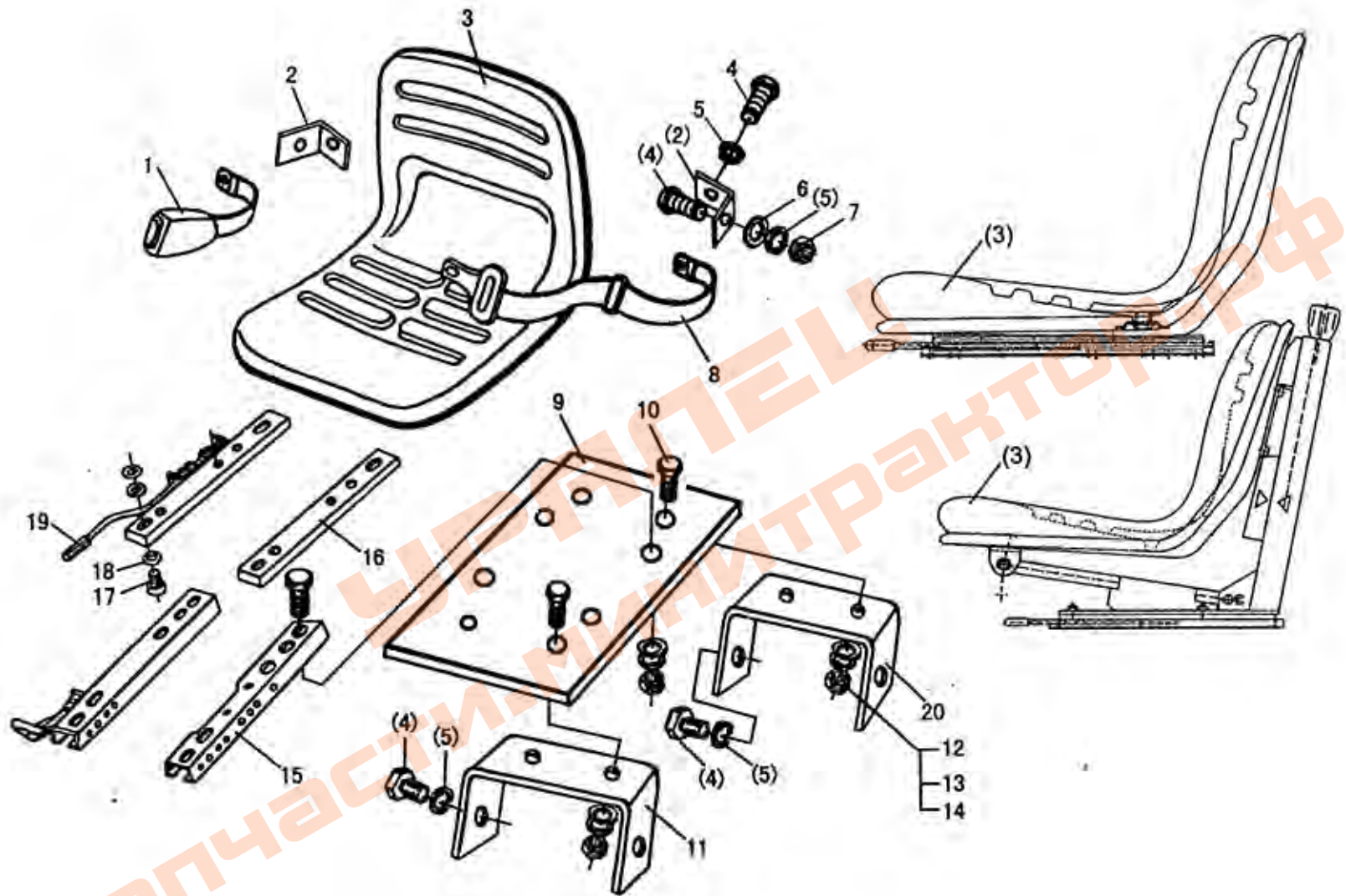
驾驶座总成  
Seat

驾驶座总成

Seat

| 序号<br>Ser. No. | 代号<br>Part No. | 名称       | Name        | 数量<br>Qty. |
|----------------|----------------|----------|-------------|------------|
| 1              | ZY-1-201       | 安全带插盒    | Seat        | 1          |
| 2              | ZY-1-107       | 安全带固定架   | Bracket     | 2          |
| 3              | 300.44.001B    | 座椅总成     | Seat        | 1          |
| 4              | GB/T5783       | 螺栓M12×25 | Bolt M12×25 | 4          |
| 5              | GB/T93         | 垫圈12     | Washer 12   | 4          |
| 6              | GB/T97.1       | 垫圈12     | Washer 12   | 2          |
| 7              | GB/T6170       | 螺母M12    | Nut M12     | 4          |
| 8              | ZY-1-202       | 安全带      | Safe belt   | 1          |
| 9              | 160.44.102     | 减振支撑块    |             | 2          |
| 10             | GB/T5783       | 螺栓M10×25 | Bolt M10×25 | 4          |
| 11             | GB/T93         | 垫圈10     | Washer 10   | 4          |
| 12             | 300.44.111-1   | 座椅后支架    |             | 2          |
| 13             | GB/T91         | 开口销3*20  |             | 2          |
| 14             | GB/T97.1       | 垫圈10     |             | 1          |
| 15             | 160.44.105-1   | 销轴       |             | 1          |
| 16             | 300.44.021A    | 前支撑板焊合件  |             |            |



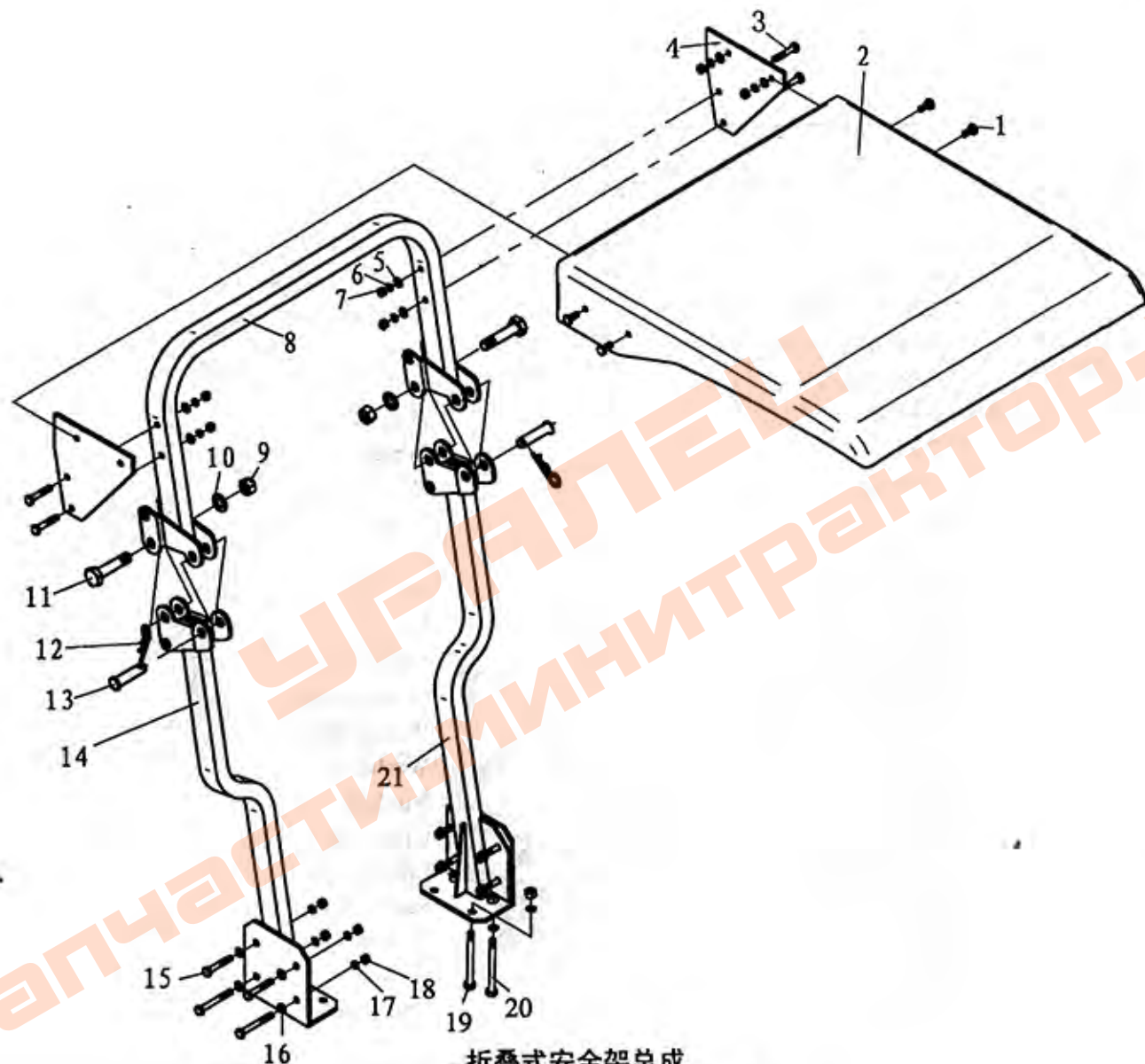


驾驶座总成 I  
Seat I

驾驶座总成 I

Seat I

| 序号<br>Ser. No. | 代 号<br>Part No. | 名 称       | Name           | 数量<br>Qty. |
|----------------|-----------------|-----------|----------------|------------|
| 1              | ZY-1-201        | 安全带插盒     | Seat           | 1          |
| 2              | ZY-1-107        | 安全带固定架    | Bracket        | 2          |
| 3              | 160.44.001A     | 座椅总成(悬浮)  | Seat           | 1          |
|                | 160.44.001B     | 座椅总成(滑轨)  | Seat           | 1          |
| 4              | GB/T5783        | 螺栓M12×25  | Bolt M12×25    | 8          |
| 5              | GB/T93          | 垫圈12      | Washer 12      | 8          |
| 6              | GB/T97.1        | 垫圈12      | Washer 12      | 4          |
| 7              | GB/T6170        | 螺母M12     | Nut M12        | 4          |
| 8              | ZY-1-202        | 安全带       | Safe belt      | 1          |
| 9              | 300.44.102A     | 座位支撑板     | Support plate  | 1          |
| 10             | GB/T5783        | 螺栓M8×25   | Bolt M8×25     | 6          |
| 11             | 300.44.107      | 座椅支架I(悬浮) | Seat support I | 1          |
|                | 300.44.101      | 座椅支架(滑轨)  | Seat support   | 1          |
| 12             | GB/T93          | 垫圈8       | Washer 8       | 8          |
| 13             | GB/T97.1        | 垫圈8       | Washer 8       | 6          |
| 14             | GB/T6170        | 螺母M8      | Nut M8         | 4          |
| 15             | ZY-1-203        | 座椅下导板     | Upper board    | 2          |
| 16             | ZY-1-204        | 座椅上导板     | Lower board    | 2          |
| 17             | GB/T70          | 螺钉M8×25   | Screw M8×25    | 4          |
| 18             | GB/T97.1        | 垫圈8       | Washer 8       | 8          |
| 19             | ZY-1-205        | 手柄        | Handle         | 1          |
| 20             | 300.44.101      | 座椅支架      | Seat support   | 1          |

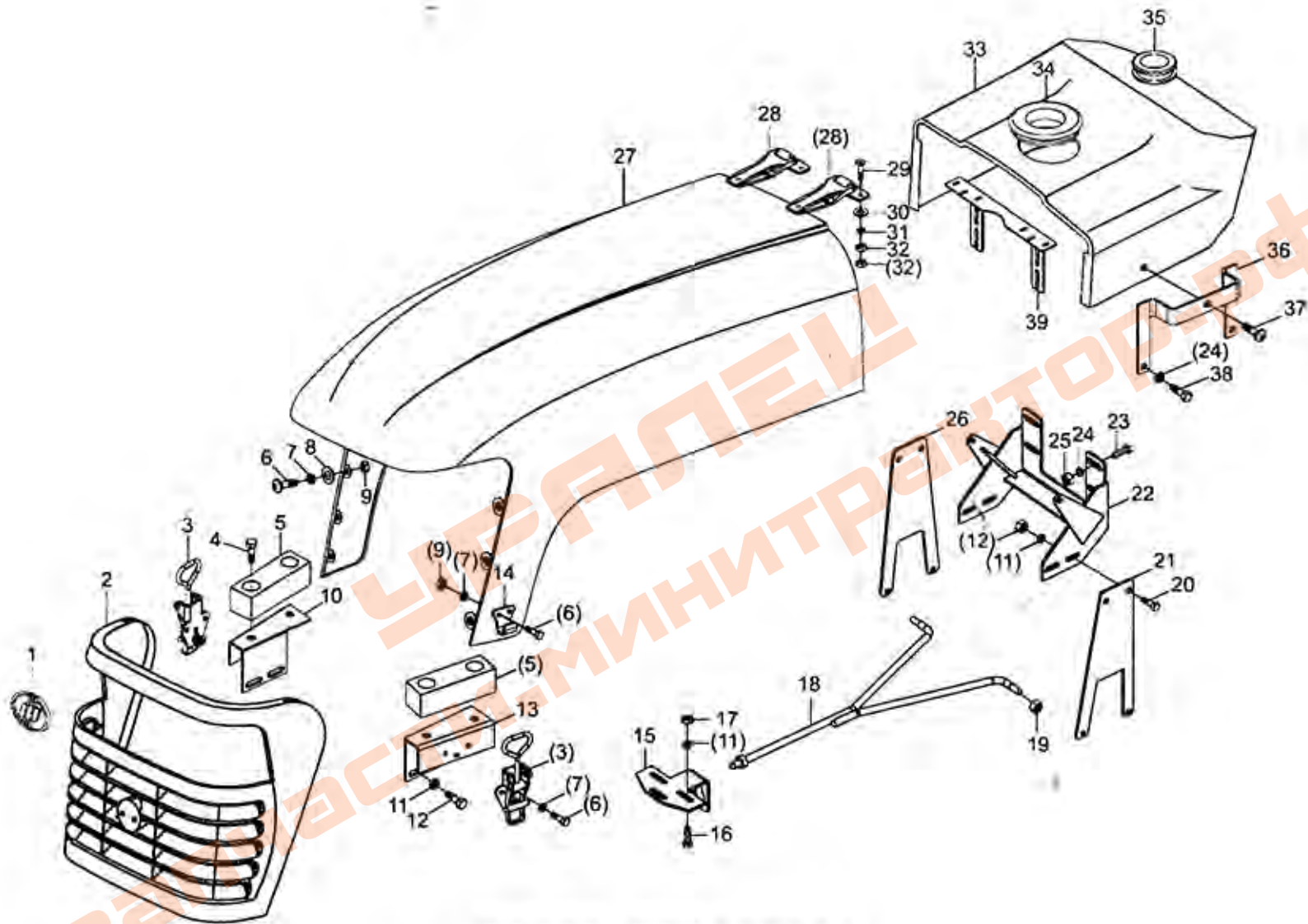


折叠式安全架总成  
Roll-over Protective Structure

折叠式安全架总成

Roll-over Protective Structure

| 序号<br>Ser. No. | 代号<br>Part No. | 名称        | Name             | 数量<br>Qty. |
|----------------|----------------|-----------|------------------|------------|
| 1              | GB/T5782       | 螺栓M12×40  | Bolt M12×40      | 4          |
| 2              | 300.45B.011    | 遮阳篷       | Canopy           | 1          |
| 3              | GB/T5782       | 螺栓M12×70  | Bolt M12×70      | 4          |
| 4              | 300.45.124     | 遮阳篷连接板    | Connecting plate | 2          |
| 5              | GB/T97.1       | 垫圈12      | Washer 12        | 8          |
| 6              | GB/T93         | 垫圈12      | Washer 12        | 8          |
| 7              | GB/T6170       | 螺母M12     | Nut M12          | 8          |
| 8              | 300.45.010-1   | 安全架上框焊合件  | Upper frame      | 1          |
| 9              | GB/T889        | 螺母M24     | Nut M24          | 2          |
| 10             | GB/T95         | 垫圈24      | Washer 24        | 2          |
| 11             | 300.45.102     | 螺栓        | Bolt             | 2          |
| 12             | 180.45.309     | 弹簧锁销      | Stop pin         | 2          |
| 13             | 300.45.101     | 销轴        | Pin axle         | 2          |
| 14             | 300.45.011-1   | 安全架右撑管焊合件 | Right support    | 1          |
| 15             | GB/T5782       | 螺栓M14×80  | Bolt M14×80      | 8          |
| 16             | GB/T97.1       | 垫圈14      | Washer 14        | 16         |
| 17             | GB/T93         | 垫圈14      | Washer 14        | 16         |
| 18             | GB/T6170       | 螺母M14     | Nut M14          | 16         |
| 19             | GB/T5782       | 螺栓M14×190 | Bolt M14×190     | 4          |
| 20             | GB/T5782       | 螺栓M14×180 | Bolt M14×180     | 4          |
| 21             | 300.45.012-1   | 安全架左撑管焊合件 | Left support     | 1          |



发动机罩壳、仪表盘及支架总成 |  
Hood, Panel and Bracket |

发动机罩壳、仪表盘及支架总成 I

Hood, Panel and Bracket I

| 序号<br>Ser. No. | 代号<br>Part No. | 名称                   | Name                                  | 数量<br>Qty. |
|----------------|----------------|----------------------|---------------------------------------|------------|
| 1              | 180.47.145-C   | 产品图案标牌               | Product design sign                   | 1          |
| 2              | 300.47.040     | 前面照大灯合件              | According to the front                | 1          |
| 3              | 300.47B.010    | 机罩锁总成                | Cover lock assembly                   | 2          |
| 4              | GB5783         | 螺栓M10*40             | Bolt M10×40                           | 4          |
| 5              | 700.47.664     | 橡胶垫                  | rubber blanket                        | 2          |
| 6              | GB/T5783       | 螺栓M6*20              | Bolt M6×20                            | 8          |
| 7              | GB/T97.1       | 垫圈M6                 | Washer 6                              | 12         |
| 8              | GB/T93         | 垫圈M6                 | Washer 6                              | 12         |
| 9              | GB/T6170       | 螺母M6                 | Nut 6                                 | 12         |
| 10             | 300.47.085     | 右支架焊合件               | Right stents weld                     | 1          |
| 11             | GB/T97.1       | 垫圈M8                 | Washer 8                              | 4          |
| 12             | GB/T5783       | 螺栓M8*16              | Bolt M8×16                            | 4          |
| 13             | 300.47.084     | 左支架焊合件               | Left stents weld                      | 1          |
| 14             | 700.47.650     | 锁扣板                  | Lock gusset plate                     | 2          |
| 15             | 300.47.067     | 支架焊合件                | support weld                          | 1          |
| 16             | GB/T5783       | 螺栓M8*25              | Bolt M8×25                            | 3          |
| 17             | GB/T6170       | 螺母M8                 | Nut 8                                 | 3          |
| 18             | 300.47.064-1   | 机罩支撑架焊合件             | Cover support weld                    | 1          |
| 19             | GB/T889        | 螺母M8                 | Nut 8                                 | 2          |
| 20             | GB/T5783       | 螺栓M8*30              | Bolt M8×30                            | 2          |
| 21             | 300.47.531B-3  | 左侧连接板 (TY3100/TY395) | Right bracket weldment (TY3100/TY395) | 1          |
|                | 300.47.531E    | 左侧连接板 (ZN390)        | Right bracket weldment (ZN390)        | 1          |
|                | 300.47.710A    | 左侧连接板 (4L22BT)       | Right bracket weldment (4L22BT)       | 1          |
|                | 300.47.711-1   | 左侧连接板 (ZN490)        | Right bracket weldment (ZN490)        | 1          |

## 续.发动机罩壳、仪表盘及支架总成 I

## Cont.Hood、Panel and Bracket I

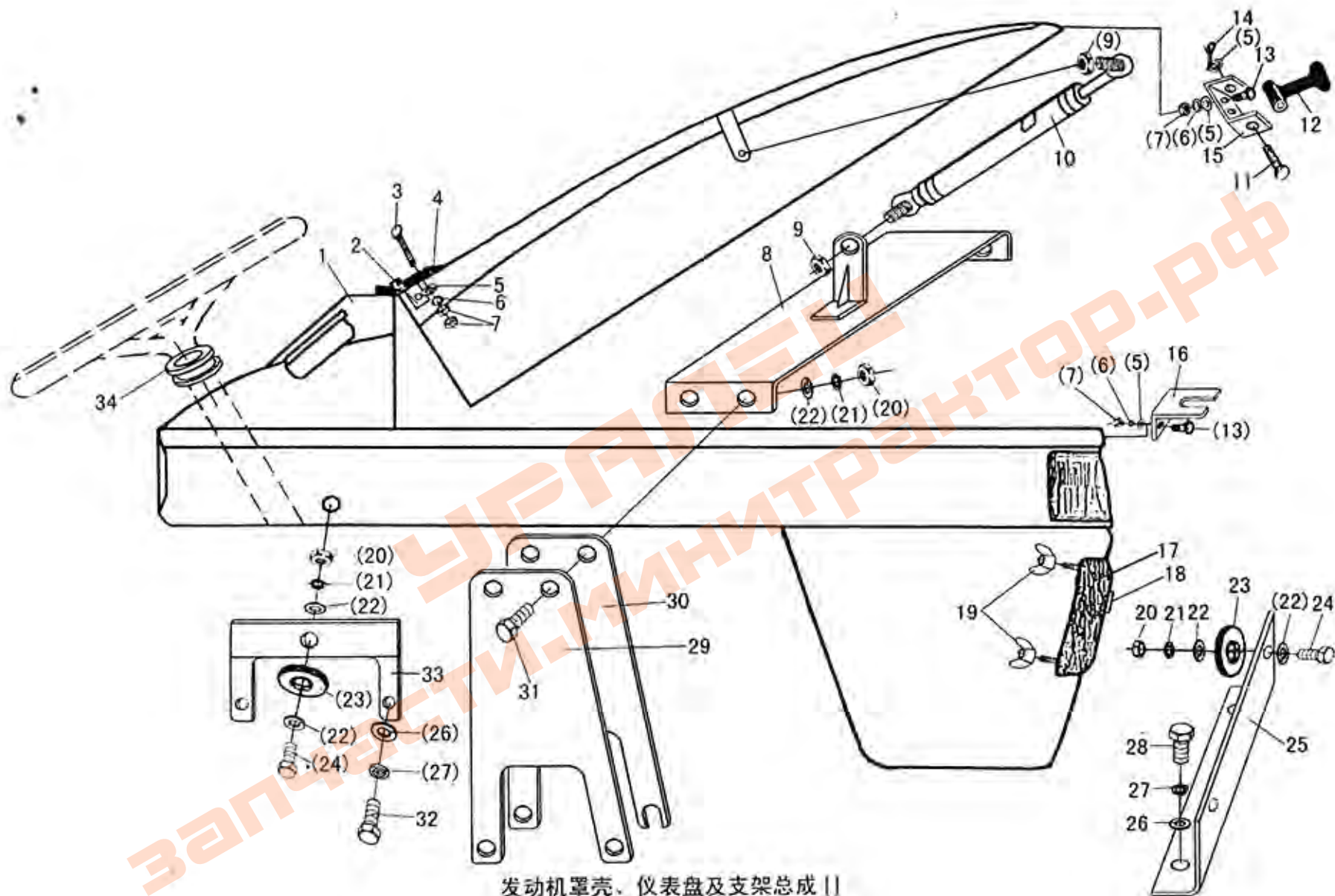
| 序号<br>Ser. No. | 代 号<br>Part No. | 名 称                          | Name                                 | 数量<br>Qty. |
|----------------|-----------------|------------------------------|--------------------------------------|------------|
|                | 300.47.548      | 左侧连接板 (SL2105)               | Right bracket weldment (SL2105)      | 1          |
| 22             | 300.47.079      | 调节板焊合件                       | Accomodate bracket                   | 1          |
| 23             | GB/T5783        | 螺栓M10*25                     | Bolt M10×25                          | 4          |
| 24             | GB/T97.1        | 垫圈M10                        | Washer 10                            | 4          |
| 25             | GB/T6170        | 螺母M10                        | Nut 10                               | 4          |
| 26             | 300.47.530B-2   | 左侧连接板 (TY3100/TY395)         | Left bracket weldment (TY3100/TY395) | 1          |
|                | 300.47.530F     | 左侧连接板 (ZN390)                | Left bracket weldment (ZN390)        | 1          |
|                | 300.47.711A     | 左侧连接板 (4L22BT)               | Left bracket weldment (4L22BT)       | 1          |
|                | 300.47.710      | 左侧连接板 (ZN490)                | Left bracket weldment (ZN490)        | 1          |
|                | 300.47.547      | 左侧连接板 (SL2105)               | Left bracket weldment (SL2105)       | 1          |
| 27             | 300.47.008-4    | 前翻铁机罩焊合件                     | Engine hood                          | 1          |
| 28             | BL-017-A        | 铰链组合件                        | Hingle                               | 2          |
| 29             | GB/T5783        | 螺栓M5*30                      | Screw M5×30                          | 12         |
| 30             | GB/T97.1        | 垫圈M5                         | Washer 5                             | 12         |
| 31             | GB/T93          | 垫圈M5                         | Washer 5                             | 12         |
| 32             | GB/T6170        | 螺母M5                         | Nut 5                                | 24         |
| 33             | 300.47.540-2    | 玻璃钢仪表盘 (SL2105)              | Fuel tank hood (SL2105)              | 1          |
|                | 300.47.540A     | 玻璃钢仪表盘 (TY3100/4L22BT/ZN390) | Fuel tank hood (TY3100/4L22BT/ZN390) | 1          |
|                | 300.47.540B-1   | 玻璃钢仪表盘 (ZN490)               | Fuel tank hood (ZN490)               | 1          |
| 34             | 160.50.210      | 加油口衬套                        | Re-fuelling valve bushing            | 1          |
| 35             | BL-116          | 转向管柱支架                       | Rubber support                       | 1          |
| 36             | 300.47.555      | 机罩后支承板                       | Engine hood back bracket             | 2          |
| 37             | GB/T818         | 螺栓M8*40                      | Bolt M8×40                           | 2          |

续.发动机罩壳、仪表盘及支架总成 I

Cont.Hood、Panel and Bracket I

| 序号<br>Ser. No. | 代 号<br>Part No. | 名 称<br>Name                   | 数 量<br>Qty. |
|----------------|-----------------|-------------------------------|-------------|
| 38             | GB/T5783        | 螺栓M10*20<br>Bolt M10×20       | 4           |
| 39             | 300.47.078-2    | 上调节板焊合件<br>Accomodate bracket | 1           |





发动机罩壳、仪表盘及支架总成 ||  
Hood、 Panel and Bracket ||

发动机罩壳、仪表盘及支架总成 II

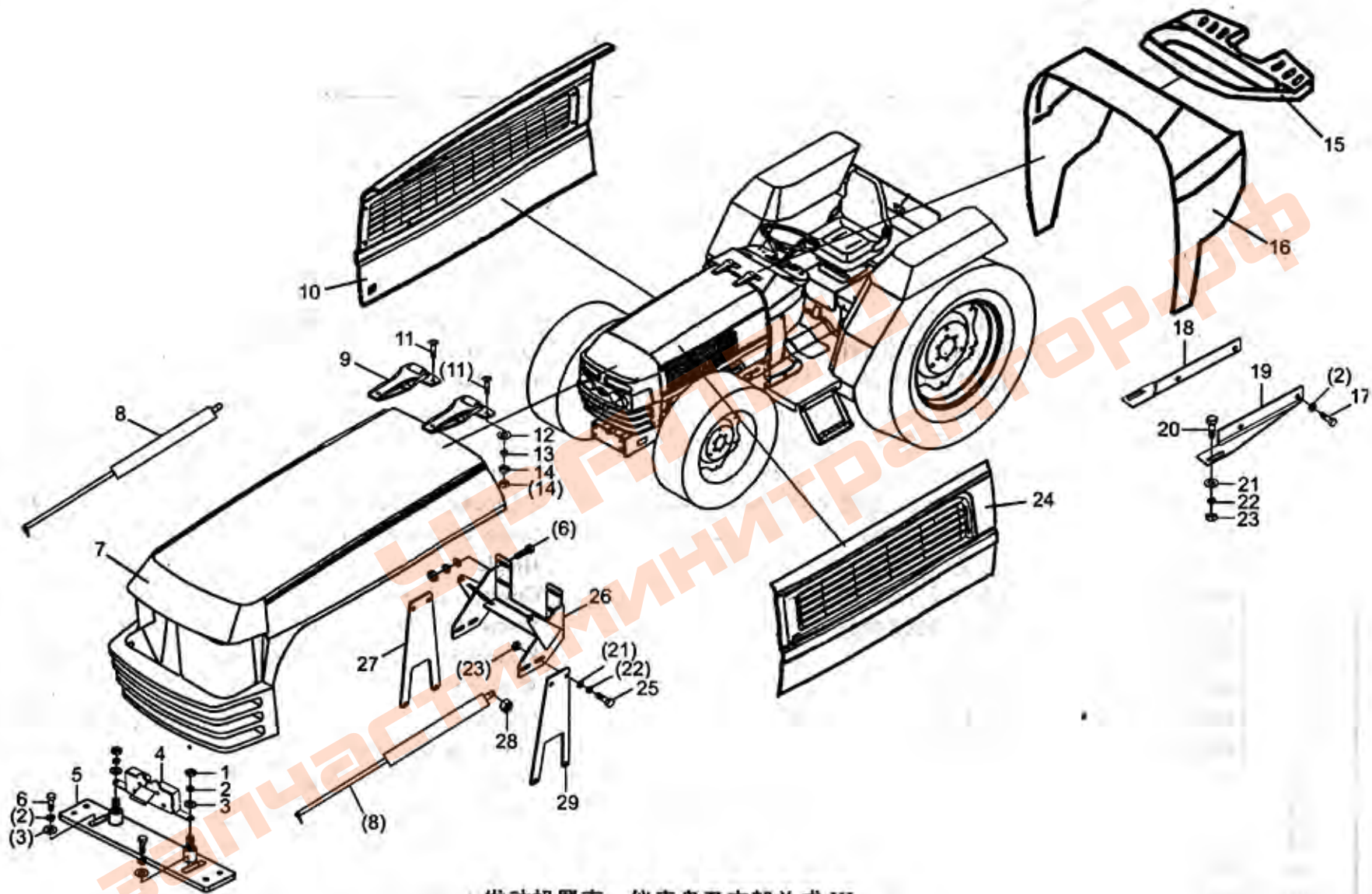
Hood, Panel and Bracket II

| 序号<br>Ser. No. | 代 号<br>Part No. | 名 称                   | Name                               | 数量<br>Qty. |
|----------------|-----------------|-----------------------|------------------------------------|------------|
| 1              | 300.47B.011     | 玻璃钢机罩合件               | Upper hood and low hood            | 1          |
| 2              | BL-015          | 机罩撑杆支架焊合件             | Support bracket                    | 1          |
| 3              | GB/T819         | 十字槽沉头螺钉M5×30          | Screw M5×30                        | 1          |
| 4              | BL-017-A        | 铰链组合件                 | Hingle                             | 12         |
| 5              | GB/T97.1        | 垫圈5                   | Washer 5                           | 1          |
| 6              | GB/T93          | 垫圈5                   | Washer 5                           | 17         |
| 7              | GB/T6170        | 螺母M5                  | Nut 5                              | 16         |
| 8              | 300.47.065-1    | 机罩上支撑板焊合件(配TY395柴油机)  | Support bracket (for TY395 engine) | 28         |
|                | 300.47.065C     | 机罩上支撑板焊合件(配Y480柴油机)   | Support bracket (for Y480 engine)  | 1          |
| 9              | GB/T889         | 螺母M8                  | Nut 8                              | 1          |
| 10             | YQ-10-175-560   | 250N <sup>2</sup> 气弹簧 | Shock absorber(250N)               | 2          |
| 11             | GB/T882         | 销轴5×35                | Axis pin 5×35                      | 1          |
| 12             | BL-107          | 橡胶锁销                  | Knot                               | 1          |
| 13             | GB/T818         | 螺钉M5×20               | Screw M5×20                        | 1          |
| 14             | GB/T91          | 销2×20                 | Pin 2×20                           | 4          |
| 15             | BL-105          | 上盖固定板                 | Upper bracket for knot             | 1          |
| 16             | BL-106          | 下连接板                  | Low bracket for knot               | 1          |
| 17             | 300.47.011A     | 窗网合件尺寸图               | Front skirt                        | 1          |
| 18             | 180.47.145-B    | 产品图案标牌                | Emblem                             | 1          |
| 19             | GB/T62          | 螺母M5                  | Nut M5                             | 1          |
| 20             | GB/T6170        | 螺母M8                  | Nut M8                             | 4          |
| 21             | GB/T93          | 垫圈8                   | Washer 8                           | 4          |

## 续.发动机罩壳、仪表盘及支架总成 II

## Cont.Hood, Panel and Bracket II

| 序号<br>Ser. No. | 代 号<br>Part No. | 名 称              | Name                            | 数量<br>Qty. |
|----------------|-----------------|------------------|---------------------------------|------------|
| 22             | GB/T97.1        | 垫圈8              | Washer 8                        | 8          |
| 23             | BL-178          | 橡胶垫              | Rubber washer                   | 按需         |
| 24             | GB/T818         | 螺钉M8×40          | Screw M8×40                     | 4          |
| 25             | 300.47.556      | 前固定板             | Front bracket for hood          | 1          |
| 26             | GB/T97.1        | 垫圈10             | Washer 10                       | 6          |
| 27             | GB/T93          | 垫圈10             | Washer 10                       | 6          |
| 28             | GB/T5783        | 螺栓M10×25         | Bolt M10×25                     | 2          |
| 29             | 300.47.530A-1   | 右侧连接板(配TY395柴油机) | Right bracket(for TY395 engine) | 1          |
|                | 300.47.530C     | 右侧连接板(配Y480柴油机)  | Right bracket(for Y480 engine)  | 1          |
| 30             | 300.47.531A-1   | 左侧连接板(配TY395柴油机) | Left bracket(for Y480 engine)   | 1          |
|                | 300.47.531C     | 左侧连接板(配Y480柴油机)  | Left bracket(for Y480 engine)   | 1          |
| 31             | GB/T5783        | 螺栓M8×25          | Bolt M8×25                      | 4          |
| 32             | GB/T5783        | 螺栓M10×20         | Bolt M10×20                     | 4          |
| 33             | 300.47.555      | 机罩后支承板           | Back bracket for hood           | 2          |
| 34             | BL-116          | 转向管柱支架           | Rubber support                  | 1          |



发动机罩壳、仪表盘及支架总成 III  
Hood、Panel and Bracket III

发动机罩壳、仪表盘及支架总成 III

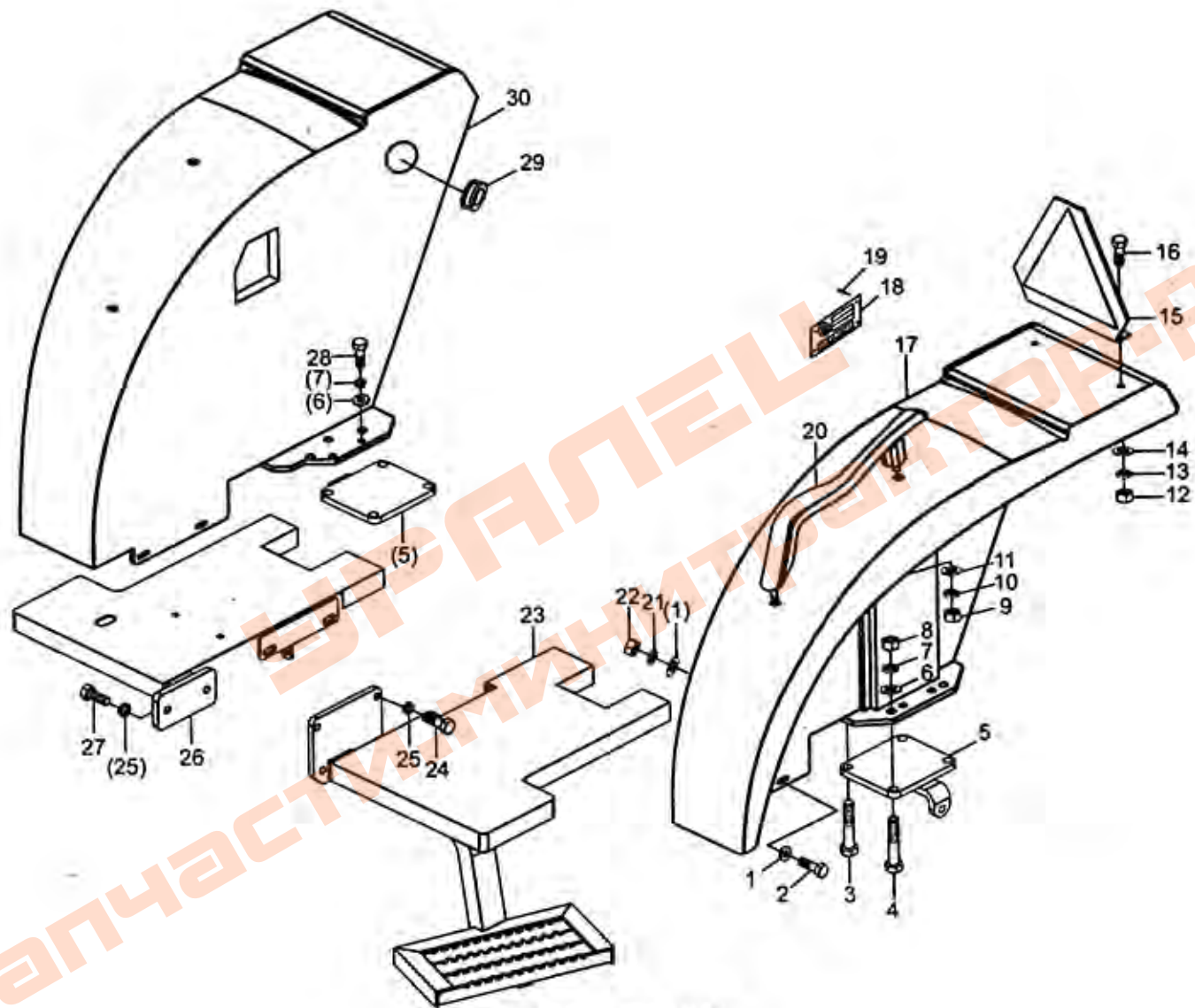
Hood, Panel and Bracket III

| 序号<br>Ser. No. | 代号<br>Part No. | 名称                 | Name                               | 数量<br>Qty. |
|----------------|----------------|--------------------|------------------------------------|------------|
| 1              | GB/T6170       | 螺母M10              | Nut M10                            | 2          |
| 2              | GB/T97.1       | 垫圈10               | Washer 10                          | 8          |
| 3              | GB/T93         | 垫圈10               | Washer 10                          | 4          |
| 4              | 300.47B.019    | 机罩锁合件              | Engine hood front bracket weldment | 1          |
| 5              | 300.47.083     | 锁扣支架焊合件            | Support                            | 1          |
| 6              | GB/T5783       | 螺栓M10×25           | Bolt M10×25                        | 6          |
| 7              | 300.47B.014    | 机罩总成(大头前翻) -----①  | Engine hood assembly-----①         | 1          |
|                | 300.47B.014A   | 机罩总成(高仪表台) -----②  | Engine hood assembly-----②         | 1          |
|                | 300.47B.023A   | 机罩总成(分片半封闭) -----③ | Engine hood assembly-----③         | 1          |
|                | 300.47B.023    | 机罩总成(分片全封闭) -----④ | Engine hood assembly-----④         | 1          |
| 8              | YQ10-175-560   | 气弹簧(400N)          | Spring for gas(400N)               | 2          |
| 9              | BL-017-B       | 铰链组合件(大)           | Hingle                             | 2          |
| 10             | 300.47B.203    | 右侧板(全封闭用)          | Cover, right side                  | 1          |
| 11             | GB/T819        | 十字槽沉头螺钉M5×30       | Screw M5×30                        | 12         |
| 12             | GB/T93         | 垫圈5                | Washer 5                           | 12         |
| 13             | GB/T97.1       | 垫圈5                | Washer 5                           | 24         |
| 14             | GB/T6170       | 螺母M5               | Nut M5                             | 12         |
| 15             | 300.47B.205    | 仪表板                | Cover, instrument                  | 2          |
| 16             | 300.47B.206    | 玻璃钢仪表盘             | Fuel tank hood                     | 1          |
| 17             | GB/T5783       | 螺栓M10×20           | Bolt M10×20                        | 4          |
| 18             | 300.47.558A    | 右支架                |                                    | 1          |
| 19             | 300.47.557A    | 左支架                |                                    | 1          |
| 20             | GB/T5782       | 螺栓M8×45            | Bolt M8×45                         | 2          |

## 续.发动机罩壳、仪表盘及支架总成 III

## Cont.Hood、Panel and Bracket III

| 序号<br>Ser. No. | 代号<br>Part No. | 名称                   | Name                         | 数量<br>Qty. |
|----------------|----------------|----------------------|------------------------------|------------|
| 21、            | GB/T97.1       | 垫圈8                  | Washer 8                     | 6          |
| 22             | GB/T93         | 垫圈8                  | Washer 8                     | 6          |
| 23             | GB/T6170       | 螺母M8                 | Nut M8                       | 6          |
| 24             | 300.47B.207    | 左侧板(全封闭用)            | Cover, left side             | 1          |
| 25             | GB/T5783       | 螺栓M8×30              | Bolt M8×30                   | 4          |
| 26             | 300.47.079     | 调节板焊件                | Accomodate bracket           | 1          |
| 27             | 300.47.530A-1  | 右侧联接板(TY395)-----②   | Right bracket(TY395)-----②   | 1          |
|                | 300.47.530B-2  | 右侧联接板(TY395)-----①③④ | Right bracket(TY395)-----①③④ | 1          |
|                | 300.47.530G    | 右侧联接板(4L22T)-----②   | Right bracket(4L22T)-----②   | 1          |
|                | 300.47.530D    | 右侧联接板(4L22T)-----①③④ | Right bracket(4L22T)-----①③④ | 1          |
| 28             | GB/T889        | 螺母M8                 | Nut M8                       | 4          |
| 29             | 300.47.531A-1  | 左侧联接板(TY395)-----②   | Left bracket(TY395)-----②    | 1          |
|                | 300.47.531B-3  | 左侧联接板(TY395)-----①③④ | Left bracket(TY395)-----①③④  | 1          |
|                | 300.47.531G    | 左侧联接板(4L22T)-----②   | Left bracket(4L22T)-----②    | 1          |
|                | 300.47.531D    | 左侧联接板(4L22T)-----①③④ | Left bracket(4L22T)-----①③④  | 1          |



左右护板及左右地板总成  
Mud Shield and Step

## 左右护板及左右地板总成

## Mud Shield and Step

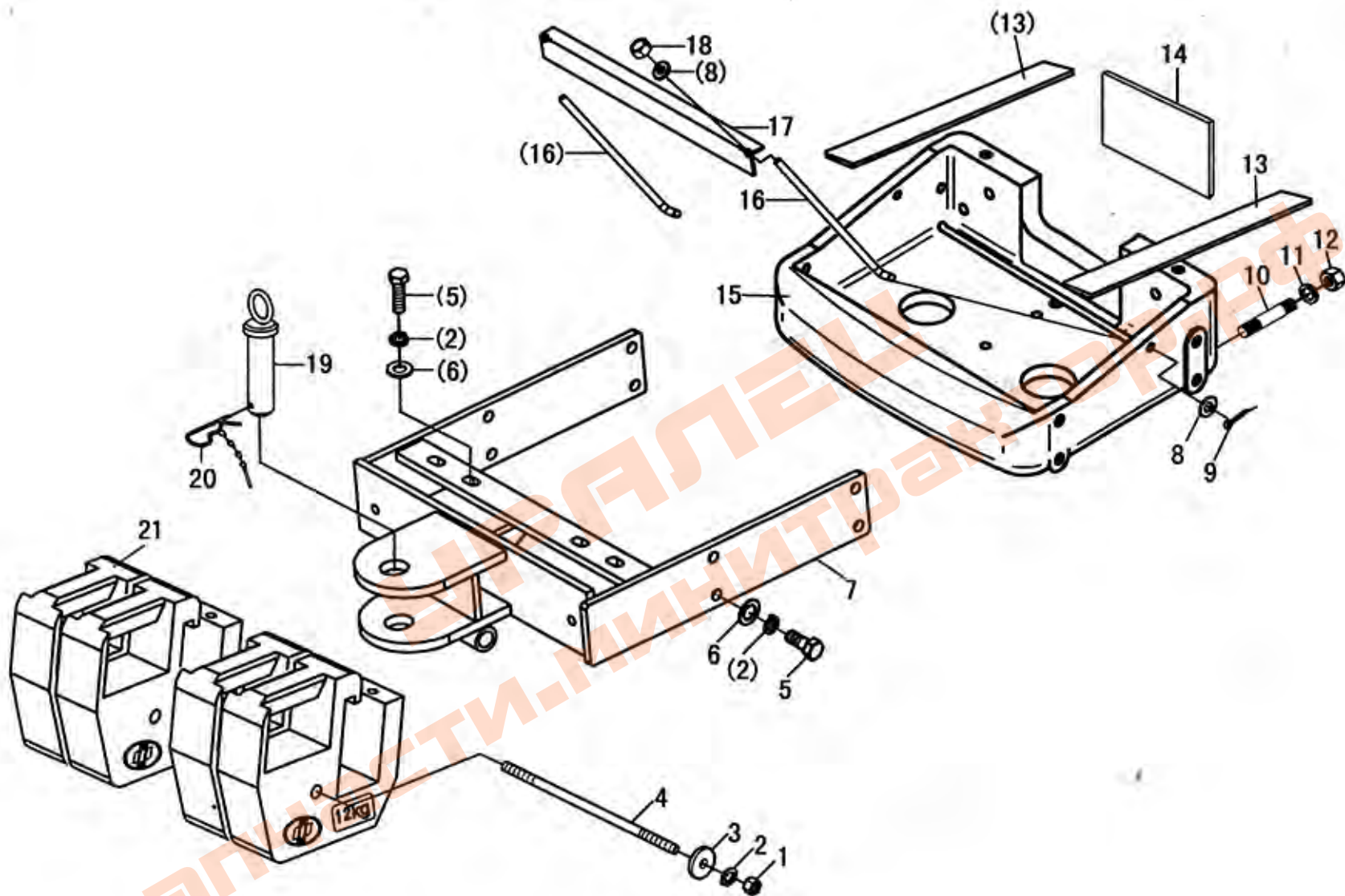
| 序号<br>Ser. No. | 代 号<br>Part No. | 名 称           | Name                      | 数量<br>Qty. |
|----------------|-----------------|---------------|---------------------------|------------|
| 1              | GB/T93          | 垫圈8           | Washer8                   | 4          |
| 2              | GB/T5783        | 螺栓M8×20       | Bolt M8×20                | 4          |
| 3              | GB/T5782        | 螺栓M14×190-8.8 | Bolt M14×190-8.8          | 4          |
| 4              | GB/T5782        | 螺栓M14×180-8.8 | Bolt M14×180-8.8          | 4          |
| 5              | 300.47.024      | 限位链拉板焊合作      | Limiting chain pull plate | 2          |
| 6              | GB/T97.1        | 垫圈14          | Washer 14                 | 8          |
| 7              | GB/T93          | 垫圈14          | Spring washer 14          | 12         |
| 8              | GB/T6170        | 螺母M14         | Nut M14                   | 8          |
| 9              | GB/T6170        | 螺母M12         | Nut M12                   | 4          |
| 10             | GB/T93          | 垫圈12          | Washer 12                 | 12         |
| 11             | GB/T97.1        | 垫圈12          | Washer 12                 | 12         |
| 12             | GB/T6170        | 螺母M6          | Nut M6                    | 2          |
| 13             | GB/T93          | 垫圈6           | Washer 6                  | 2          |
| 14             | GB/T97.1        | 垫圈6           | Washer 6                  | 2          |
| 15             | 180.47.402-1    | 后反射器          | Caution mark              | 1          |
| 16             | GB/T5783        | 螺栓M6×20       | Bolt M6×20                | 1          |
| 17             | 300.47.032A     | 流线型左挡泥板焊合作    | Left mud shield           | 1          |
|                | 304.47B.051A    | 玻璃钢护板         |                           | 1          |
| 18             | 180.47.147-F    | 产品标牌          | Emblem                    | 1          |
| 19             | GB/T12618       | 开口型扁圆头抽芯铆钉    | rivet                     | 4          |
| 20             | 180.47.024      | 扶手总成          | Hand rail                 | 2          |
|                | 400.47.024      | 扶手总成          | Hand rail                 | 2          |
| 21             | GB/T93          | 垫圈8           | Washer 8                  | 14         |



续. 左右护板及左右地板总成

Cont. Mud Shield and Step

| 序号<br>Ser. No. | 代 号<br>Part No.               | 名 称<br>Name         | 数量<br>Qty. |
|----------------|-------------------------------|---------------------|------------|
| 22             | GB/T6170                      | 螺母M8                | 4          |
| 23             | 300.47.034                    | 左地板及支撑焊合件(冲孔地板)     | 1          |
| 24             | GB/T5783                      | 螺栓M10×35            | 4          |
| 25             | GB/T93                        | 垫圈10                | 10         |
| 26             | 300.47.033A                   | 右地板及支撑焊合件(冲孔地板)     | 1          |
| 27             | GB/T5783                      | 螺栓M10×20            | 6          |
| 28             | GB/T5783                      | 螺栓M14×40            | 4          |
| 29             | 300.47.701                    | 电线保护套               | 1          |
| 30             | 300.47.031A-I<br>304.47B.051A | 流线型右挡泥板焊合件<br>玻璃钢护板 | 1          |

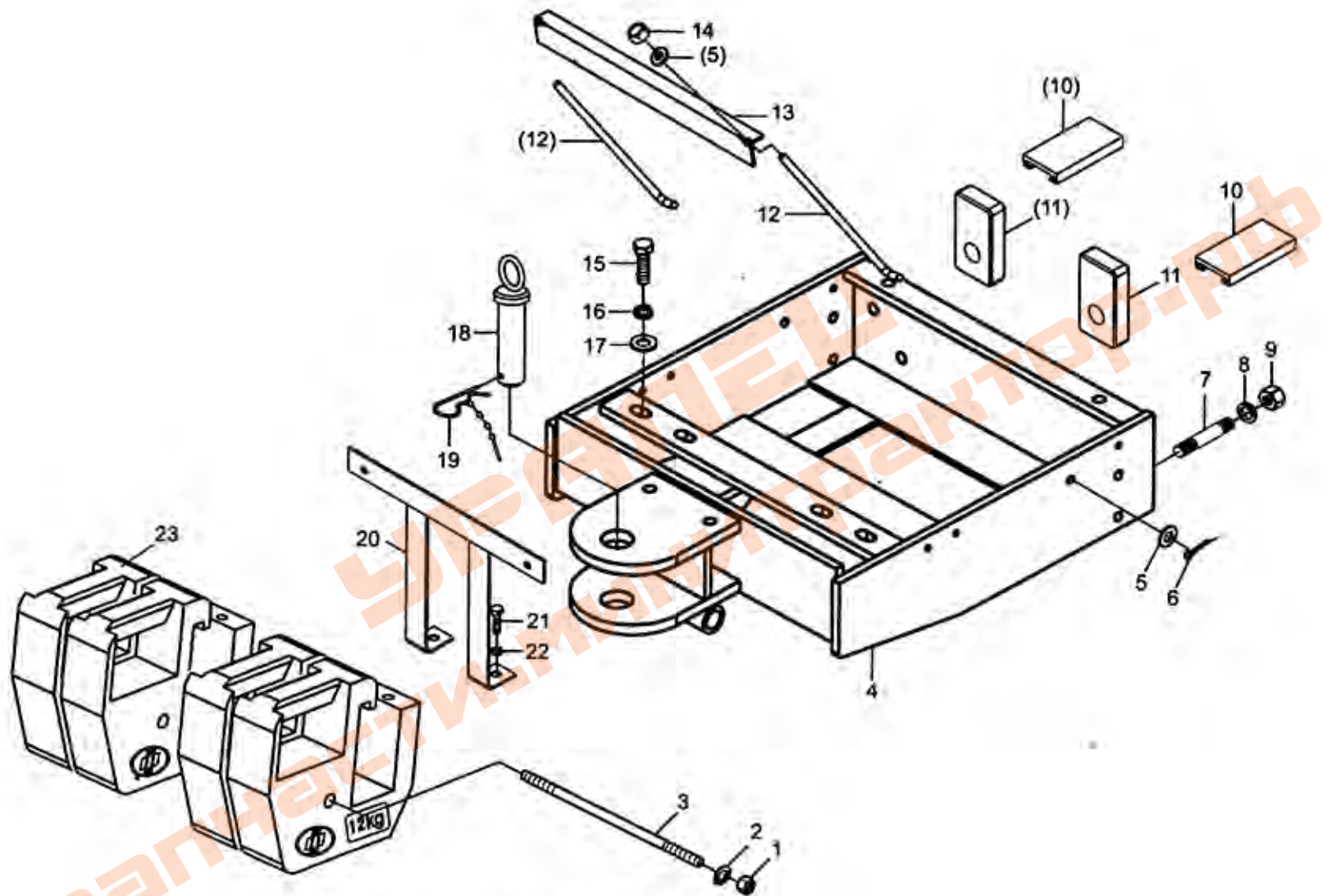


电瓶座总成 I  
Battery Support Seat Assmy I

电瓶座总成

Battery Support Seat Assmy

| 序号<br>Ser. No. | 代 号<br>Part No. | 名 称               | Name                           | 数量<br>Qty. |
|----------------|-----------------|-------------------|--------------------------------|------------|
| 1              | GB/T 6170       | 螺母M12             | Nut M12                        | 2          |
| 2              | GB/T 93         | 垫圈12              | Washer12                       | 14         |
| 3              | GB/T 96         | 大垫圈12             | Big washer12                   | 2          |
| 4              | 300E.31.203     | 螺杆                | Screw rod                      | 1          |
| 5              | GB/T 5783       | 螺栓M12×35          | Bolt M12×35                    | 12         |
| 6              | GB/T 97.1       | 垫圈12              | Washer12                       | 12         |
| 7              | 300E.31.010-1   | 配重支架焊合件           | Front ballast carrier weldment | 1          |
| 8              | GB/T 97.1       | 垫圈8               | Washer8                        | 4          |
| 9              | GB/T 91         | 开口销2×20           | Split pin 2×20                 | 2          |
| 10             | GB/T 898        | 螺柱AM14-M14×1.5×50 | Stud AM14-M14×1.5×50           | 4          |
| 11             | GB/T 93         | 垫圈14              | Washer14                       | 4          |
| 12             | GB/T 6176       | 螺母M14×1.5         | Nut M14                        | 4          |
| 13             | 160.48.124      | 橡胶垫               | Rubber pad                     | 2          |
| 14             | 300.48.103-1    | 衬板                | pad                            | 1          |
| 15             | 300.48.121-1    | 电瓶支座              | Batter support seat            | 1          |
| 16             | 300.48.150      | 电瓶拉杆              | Thread rod                     | 2          |
| 17             | 300.48.107      | 电瓶压板              | Clamping plate                 | 1          |
| 18             | GB/T 6170       | 螺母M8              | Nut M8                         | 4          |
| 19             | 300E.31.011     | 前联接销焊合件           | Connect pin                    | 1          |
| 20             | 300E.35.020     | 弹簧锁销焊合件           | Split pin                      | 1          |
| 21             | 300E.31.202     | 前配重               | Ballast weight                 | 4          |



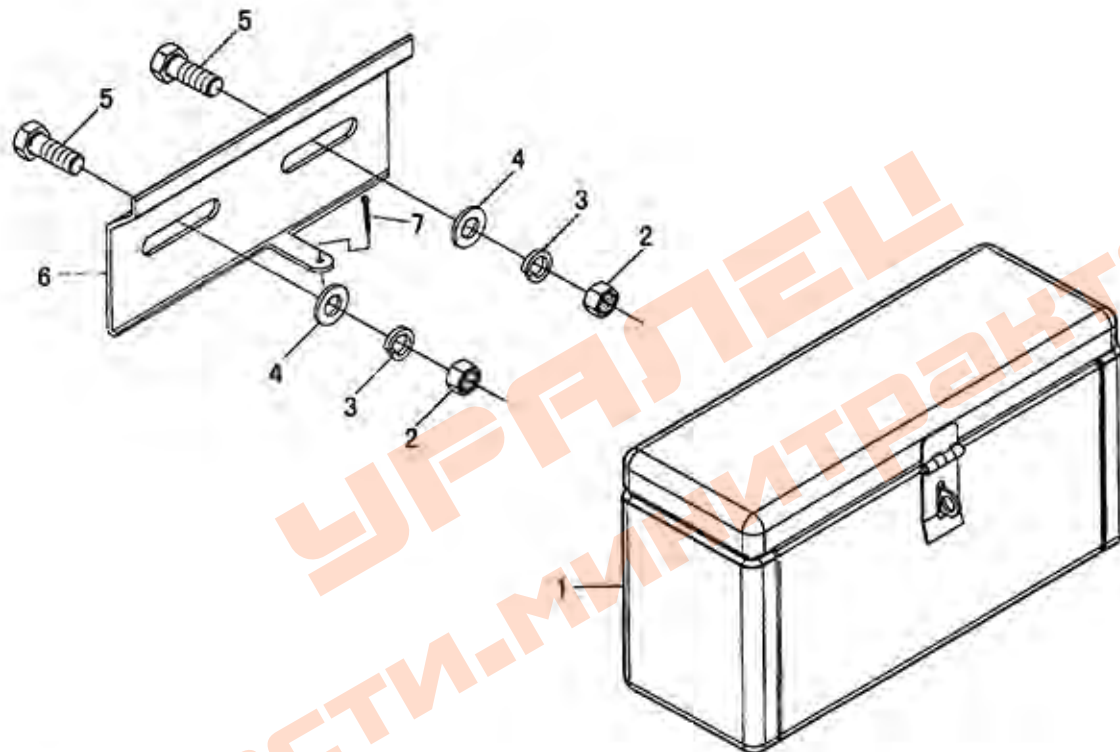
电瓶座总成 II  
Battery Support Seat Assmy II

电瓶座总成 II

Battery Support Seat Assy II

| 序号<br>Ser. No. | 代 号<br>Part No. | 名 称                   | Name                      | 数量<br>Qty. |
|----------------|-----------------|-----------------------|---------------------------|------------|
| 1              | GB/T6170        | 螺母M12                 | Nut M12                   | 2          |
| 2              | GB/T93          | 垫圈12                  | Washer12                  | 6          |
| 3              | 300E.31.203     | 螺杆                    | Screw rod                 | 1          |
| 4              | 300.48.032      | 电瓶支座及配重支架焊合作(SI.2105) | welding pieces of support | 1          |
|                | 300.48.032A     | 电瓶支座及配重支架焊合作          | welding pieces of support | 1          |
| 5              | GB/T97.1        | 垫圈8                   | Washer8                   | 2          |
| 6              | GB/T 91         | 开口销2×20               | Split pin 2×20            | 2          |
| 7              | GB/T 898        | 螺柱AM14-M14×1.5×50     | Stud AM14-M14×1.5×50      | 4          |
| 8              | GB/T 93         | 垫圈14                  | Washer14                  | 4          |
| 9              | GB/T 6176       | 螺母M14×1.5             | Nut M14                   | 4          |
| 10             | 300.48.325      | 橡胶垫                   | Rubber pad                | 2          |
| 11             | 300.48.156      | 橡胶垫                   | Rubber pad                | 2          |
| 12             | 300.48.150      | 电瓶拉杆                  | Thread rod                | 2          |
| 13             | 300.48.107      | 电瓶压板                  | Clamping plate            | 1          |
| 14             | GB/T 889        | 螺母M8                  | Washer8                   | 2          |
| 15             | GB/T 5783       | 螺栓M12×35              | Bolt M12×35               | 4          |
| 16             | GB/T 97.1       | 垫圈12                  | Washer12                  | 4          |
| 17             | GB/T 93         | 垫圈12                  | Washer12                  | 4          |
| 18             | 300E.31.011*    | 前联接销焊合作               | Connect pin               | 1          |
| 19             | 300E.35.020     | 弹簧锁销焊合作               | Split pin                 | 1          |
| 20             | 300.47.702      | 前号牌座                  |                           | 1          |
| 21             | GB/T 5783       | 螺栓M10×20              | Bolt M10×20               | 2          |
| 22             | GB/T 93         | 垫圈10                  | Washer10                  | 2          |
| 23             | 300E.31.202     | 前配重                   | Ballast weight            | 4          |

※配流铁机专用

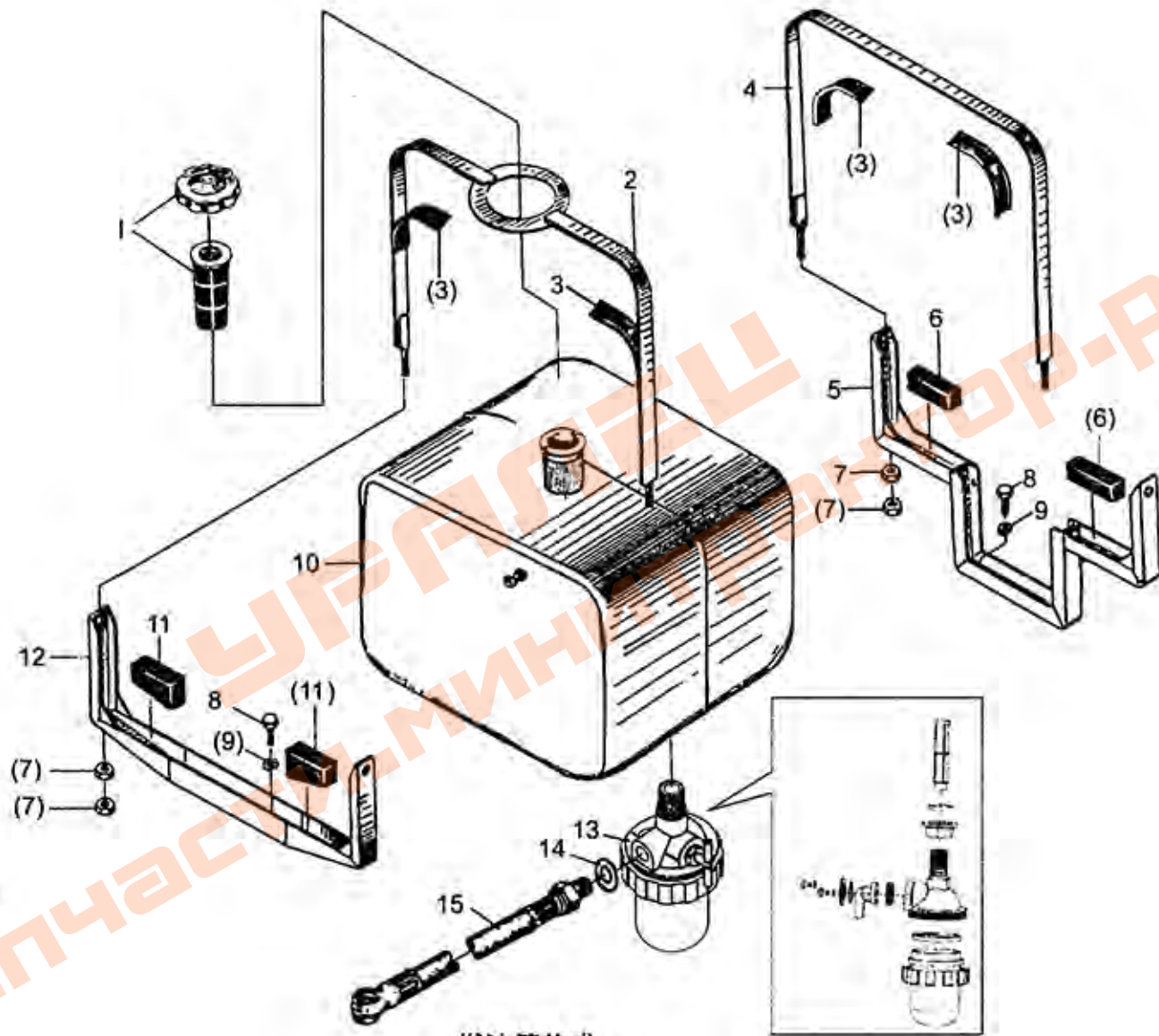


工具箱总成  
Tool Box

## 工具箱总成

## Tool Box Assembly

| 序号<br>Ser. No. | 代号<br>Part No. | 名称       | Name              | 数量<br>Qty. |
|----------------|----------------|----------|-------------------|------------|
| 1              | 160.49.001     | 工具箱总成    | Tool box assembly | 1          |
| 2              | GB/T6170       | 螺母M12    | Nut 12            | 2          |
| 3              | GB/T93         | 垫圈12     | Washer 12         | 2          |
| 4              | GB/T97.1       | 垫圈12     | Washer            | 2          |
| 5              | GB/T5783       | 螺栓M12×25 | Bolt M12×25       | 2          |
| 6              | 700.49.101     | 固定支板     | Fixed bracket     | 1          |
| 7              | GB/T 91        | 销 6.3×20 | Pin 6.3×20        | 1          |



燃油箱总成  
Fuel Tank



## 燃油箱总成

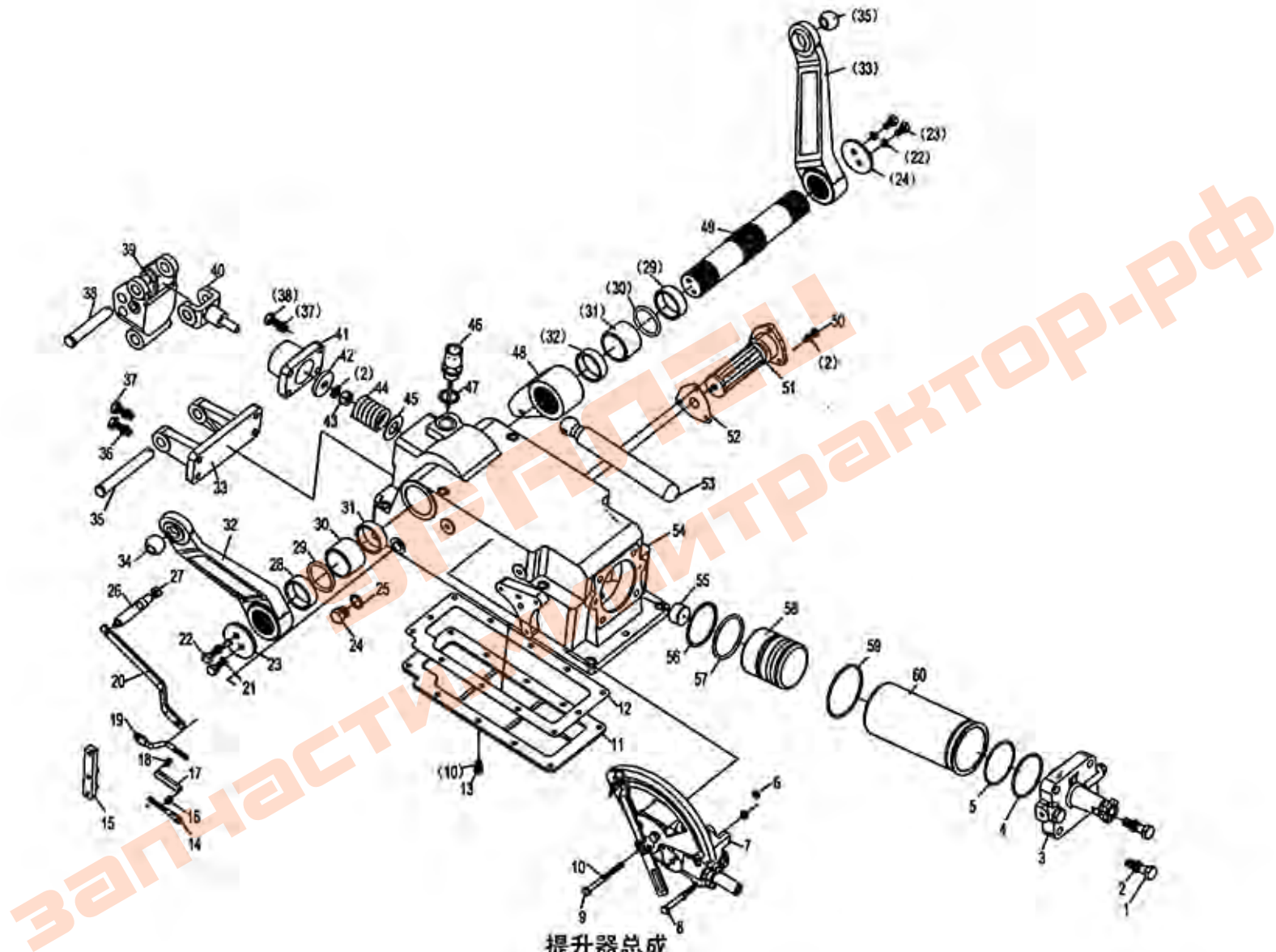
## Fuel Tank

| 序号<br>Ser. No. | 代号<br>Part No. | 名称              | Name                    | 数量<br>Qty. |
|----------------|----------------|-----------------|-------------------------|------------|
| 1              | 250.50.022     | 油箱盖组合件          | Fuel tank cap assembly  | 1          |
|                | 160.50.015     | 滤网组件            | Screen, oil filler hole | 1          |
| 2              | 300.50.012     | 前钢带焊合件          | Front steel band        | 1          |
| 3              | 300.50.101-2   | 钢带胶垫            | Rubber pad              | 4          |
| 4              | 300.50.013     | 后钢带焊合件          | Rear steel band         | 2          |
| 5              | 300.50.017-1   | 油箱后支架焊合件        | Fuel tank rear support  | 1          |
| 6              | 300.50.104     | 后橡胶块            | Rear rubber block       | 2          |
| 7              | GB/T6170       | 螺母M8            | Nut M8                  | 8          |
| 8              | GB/T5783       | 螺栓M8×20         | Bolt M8×20              | 4          |
| 9              | GB/T93         | 垫圈8             | Washer8                 | 4          |
| 10             | 300.50.011A-2  | 油箱体焊合件          | Fuel tank               | 1          |
|                | 300.50.011H    | 油箱体焊合件-----配驾驶室 | Fuel tank               | 1          |
| 11             | 300.50.103     | 前橡胶块            | Front rubber block      | 2          |
| 12             | 300.50.016-1   | 油箱前支架焊合件        | Fuel tank front support | 1          |
| 13             | 250.50.020     | 沉淀杯总成           | Sedimentary cup         | 1          |
|                | 250.50.901     | 进油过滤网           | Screen, oil filler hole | 1          |
|                | 250.50.902     | 沉淀杯滤座           | Oil filler seat         | 1          |
|                | 250.50.903     | 法兰螺母密封圈         | Seal ring               | 1          |
|                | 250.50.904     | 装配固定法兰螺母        | Nut                     | 1          |
|                | 250.50.905     | 开关关通橡胶孔圈        | Seal ring               | 1          |
|                | 250.50.906     | 关通后圆过滤网         | Screen                  | 1          |
|                | 250.50.907     | 开关面盖板           | Handle cap              | 1          |
|                | 250.50.908     | 开关压弹垫片          | Washer                  | 1          |

## 续.燃油箱总成

## Cont.Fuel Tank

| 序号<br>Ser. No. | 代号<br>Part No. | 名称<br>Name                  | 数量<br>Qty. |
|----------------|----------------|-----------------------------|------------|
|                | 250.50.909     | 开关手柄                        | 1          |
|                | 250.50.910     | 塑料环固紧圈                      | 1          |
|                | 250.50.911     | 塑料杯                         | 1          |
| 14             |                | 复合垫圈12                      | 1          |
| 15             | 300.50.018-1   | 输油管总成(500mm)<br>(配TY395柴油机) | 1          |



提升器总成  
Lifter Assembly

## 提升器总成

## Lifter Assembly

| 序号<br>Ser. No. | 代 号<br>Part No. | 名 称            | Name                 | 数量<br>Qty. |
|----------------|-----------------|----------------|----------------------|------------|
| 1              | GB5785-86       | 螺栓M14X1.5X50   | BOLT M14X1.5X50      | 4          |
| 2              | GB93-87         | 垫圈14           | washer 14            | 4          |
| 3              | YT300B.55.011   | 缸头总成           | cylinder cap assy    | 1          |
| 4              | GB3452.1-92     | O型密封圈77.5X3.55 | O-ring 77.5X3.55     | 1          |
| 5              | E300.55.118     | 挡圈85X1.5       | circlip 85X1.5       | 1          |
| 6              | GB3452.1-92     | O型密封圈11.8X2.65 | O-ring 11.8X2.65     | 2          |
| 7              | E300.57.001     | 分配器总成          | distributor assy     | 1          |
| 8              | GB5782-86       | 螺栓M8X80        | bolt M8X80           | 2          |
| 9              | GB5782-86       | 螺栓M8X100       | bolt M8X100          | 1          |
| 10             | GB93-87         | 垫圈8            | washer 8             | 18         |
| 11             | YT300B.55.103   | 底板             | bottom cover         | 1          |
| 12             | YT300B.55.102   | 纸垫             | gasket               | 1          |
| 13             | GB5781-86       | 螺栓M8X20        | bolt M8X20           | 12         |
| 14             | E300.55.169     | 前调节杆           | front adjusting link | 1          |
| 15             | E300.55.017     | 综合调节摆杆合件       | swing pole           | 1          |
| 16             | 300.55.158      | 螺母M8 (左)       | nut M8               | 1          |
| 17             | YT300B.55.110   | 调节螺套           | adjusting bush       | 1          |
| 18             | GB6170-86       | 螺母M8           | nut M8               | 1          |
| 19             | 300.55.156      | 后调节杆           | rear adjusting link  | 1          |
| 20             | YT300B.55.109   | 力调节反馈杆         | connecting link      | 1          |
| 21             | GB93-87         | 垫圈10           | washer 10            | 4          |
| 22             | GB5781-86       | 螺栓M10X20       | bolt M10X20          | 4          |
| 23             | YT500.55.020    | 右压板合件          | plate                | 1          |

## 续. 提升器总成

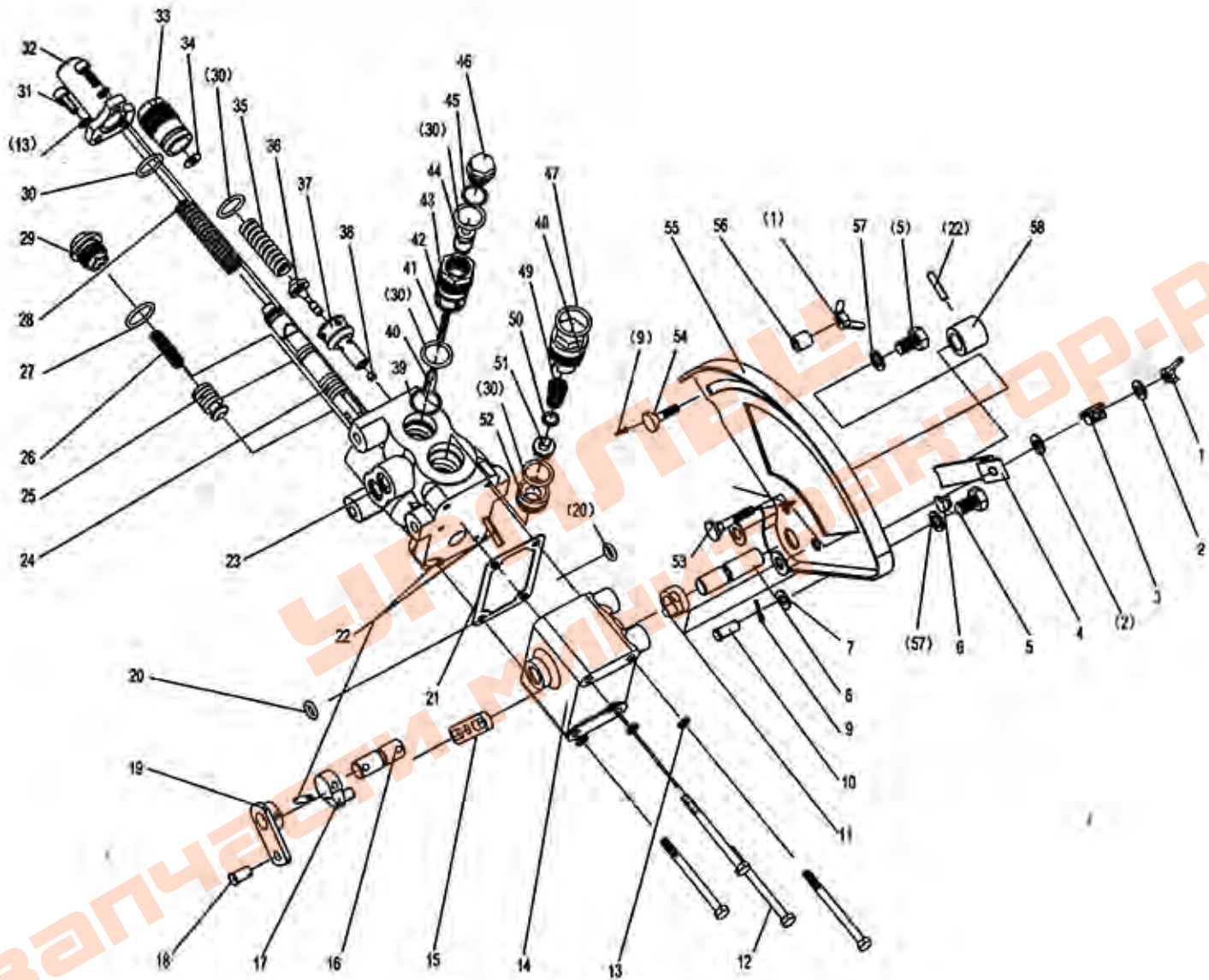
## Cont. Lifter Assembly

| 序号<br>Ser. No. | 代 号<br>Part No. | 名 称         | Name                            | 数量<br>Qty. |
|----------------|-----------------|-------------|---------------------------------|------------|
| 24             | 150D.55.228-2   | 螺塞          | plug                            | 1          |
| 25             | 150D.54.118     | 铝垫          | washer                          | 1          |
| 26             | YT300B.55.115   | 支承销         | pin                             | 1          |
| 27             | GB6170-86       | 螺母M10       | nut M10                         | 1          |
| 28             | YT300B.55.111C  | 轴套          | bush                            | 2          |
| 29             | GB1235-76       | O型密封圈60X5.7 | O-ring 60X5.7                   | 2          |
| 30             | BY350.55.122    | 提升轴套        | lifting bush                    | 2          |
| 31             | YT300B.55.111B  | 轴套          | bush                            | 2          |
| 32             | FT500A.55.119   | 提升臂         | lifting arm                     | 2          |
| 33             | 25.55.125       | 上挂结点摇臂支架    | support                         | 1          |
| 34             | 25.55.156       | 球形接头        | ball connector                  | 2          |
| 35             | 25.55.128       | 摇臂连接销       | rocker arm link pin             | 1          |
| 36             | GB93-87         | 垫圈12        | washer 12                       | 8          |
| 37             | GB5782-86       | 螺栓M12X35    | bolt M12X35                     | 8          |
| 38             | 25.55.126       | 摇臂上连接销      | pin                             | 1          |
| 39             | YT300B.55.108   | 摇臂          | rocker arm                      | 1          |
| 40             | YT300B.55.107   | 力调节传感头      | Sensor                          | 1          |
| 41             | YT300B.55.105   | 弹簧座         | spring                          | 1          |
| 42             | YT300B.55.106   | 弹簧垫板        | spring plate                    | 1          |
| 43             | GB6170-86       | 螺母M14       | nut M14                         | 1          |
| 44             | E300.55.107     | 力调节弹簧       | draft-responsive control spring | 1          |
| 45             | YT300B.55.104   | 垫片          | washer                          | 1          |
| 46             | TS300B.55.041   | 油尺通气塞总成     | dipstick                        | 1          |

提升器总成

Lifter Assembly

| 序号<br>Ser. No. | 代号<br>Part No. | 名称           | Name             | 数量<br>Qty. |
|----------------|----------------|--------------|------------------|------------|
| 47             | 18.55.104      | 垫片           | washer           | 1          |
| 48             | 300.55.151     | 内提升臂         | inlet arm        | 1          |
| 49             | YT300B.55.112  | 提升轴          | lift shaft       | 1          |
| 50             | GB5783-86      | 螺栓M8X25      | bolt M8X25       | 3          |
| 51             | YT300A.55.039  | 滤清器总成        | filter assy      | 1          |
| 52             | YT300.55.253   | 出油接头纸垫       | gasket           | 1          |
| 53             | E300.55.152    | 顶杆           | piston rod       | 1          |
| 54             | YT300B.55.101  | 提升器壳体        | lift case        | 1          |
| 55             | E300.55.142    | 活塞球座         | piston ball seat | 1          |
| 56             | E300.55.117    | 挡圈85X2       | washer 85X2      | 1          |
| 57             | GB3452.1-92    | O型密封圈75X5.3  | O-ring 75X5.3    | 1          |
| 58             | E300.55.141    | 活塞           | piston           | 1          |
| 59             | GB3452.1-92    | O型密封圈90X3.55 | O-ring 90X3.55   | 1          |
| 60             | YT300B.55.114  | 缸筒           | cylinder         | 1          |



分配器总成  
Distributor Assembly

## 分配器总成

## Distributor Assembly

| 序号<br>Ser. No. | 代号<br>Part No. | 名称            | Name               | 数量<br>Qty. |
|----------------|----------------|---------------|--------------------|------------|
| 1              | GB62-88        | 蝶形螺母M6        | Nut M6             | 2          |
| 2              | GB97.1-85      | 垫圈8           | Washer 8           | 3          |
| 3              | T30.57.123     | 手柄压紧弹簧        | Spring             | 1          |
| 4              | E300.57.151    | 手柄            | Control handle     | 1          |
| 5              | GB5781-86      | 螺栓M10X16      | Bolt M10X16        | 2          |
| 6              | T30.57.147     | 挡块            | Stopper            | 1          |
| 7              | E300.57.128    | 隔套            | Bush               | 2          |
| 8              | T30.57.108     | 手柄轴           | Handle shaft       | 1          |
| 9              | GB91-86        | 销2X12         | Pin 2X12           | 3          |
| 10             | T30.57.125     | 销轴            | Pin                | 1          |
| 11             | T30.57.110     | 操纵臂           | Control level      | 1          |
| 12             | GB5782-86      | 螺栓M6X75       | Bolt M6X75         | 4          |
| 13             | GB859-87       | 垫圈6           | Washer 6           | 7          |
| 14             | T30.57.117A    | 侧盖            | Cover              | 1          |
| 15             | T30.57.119     | 摆杆            | Swing pole         | 1          |
| 16             | T30.57.109     | 反馈轴           | Feedback shaft     | 1          |
| 17             | T30.57.120     | 反馈小臂          | Feedback small arm | 1          |
| 18             | E300.57.135    | 销轴            | Pin                | 1          |
| 19             | T30.57.133-2   | 反馈臂           | Feedback arm       | 1          |
| 20             | GB3452.1-92    | O型密封圈9.5X2.65 | O-ring 9.5X2.65    | 2          |
| 21             | T30.57.118     | 纸垫            | Gasket             | 1          |
| 22             | GB879-86       | 销5X24         | Pin 5X24           | 4          |
| 23             | T30.57.115-2A  | 分配器壳体         | Distributor case   | 1          |



## 续. 分配器总成

## Cont. Distributor Assembly

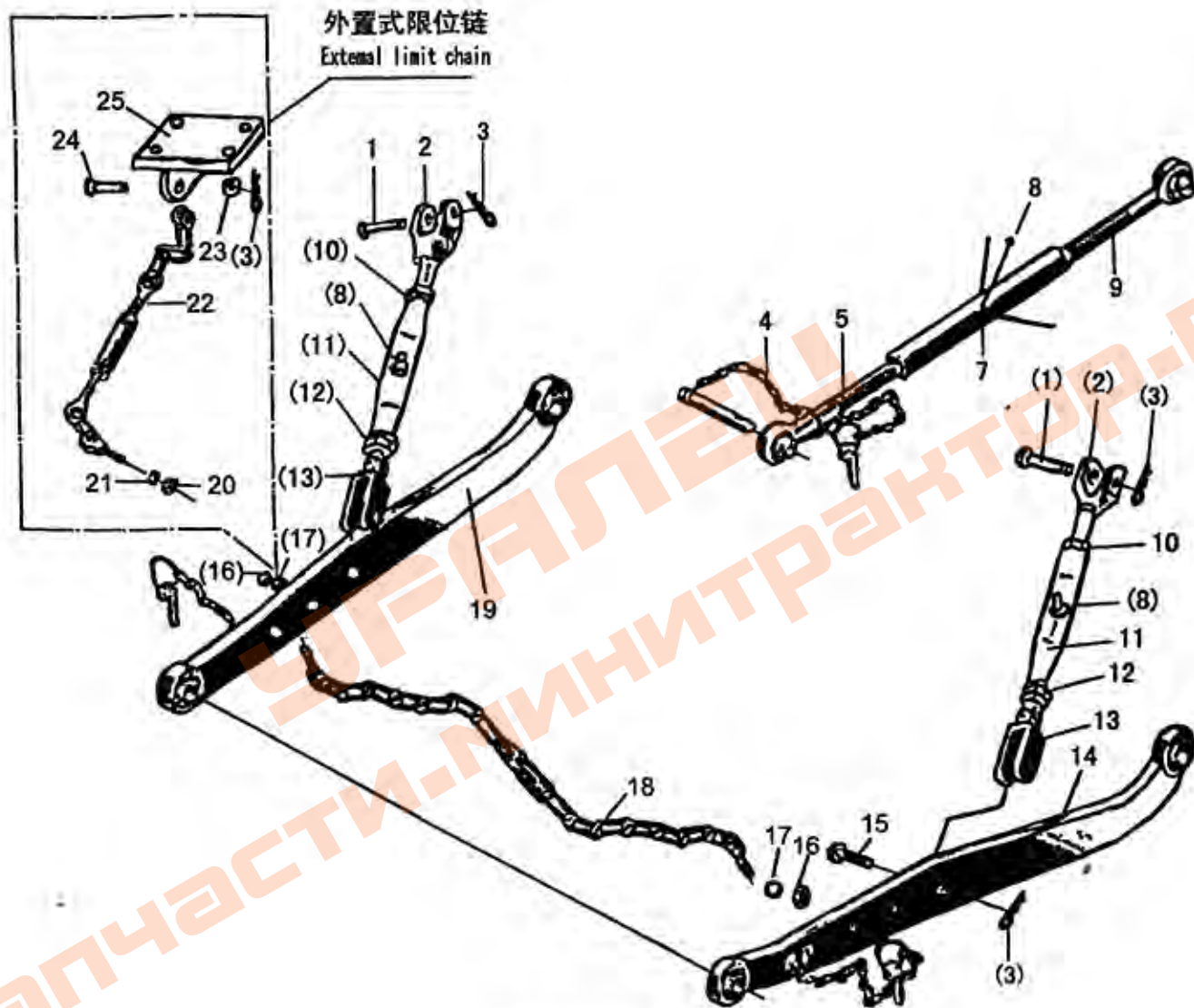
| 序号<br>Ser. No. | 代号<br>Part No. | 名称             | Name                 | 数量<br>Qty. |
|----------------|----------------|----------------|----------------------|------------|
| 24             | T30.57.122     | 主控制阀           | Main control valve   | 1          |
| 25             | T30.57.104-2   | 回油阀体           | Oil return valve     | 1          |
| 26             | T30.57.103-1   | 回油阀弹簧          | Spring               | 1          |
| 27             | GB3452.1-92    | O型密封圈21.2X2.65 | O-ring 21.2X2.65     | 1          |
| 28             | T30.57.112     | 主控制阀弹簧         | Spring               | 1          |
| 29             | T30.57.102-1   | 回油阀堵塞          | Plug                 | 1          |
| 30             | GB3452.1-92    | O型密封圈19X2.65   | O-ring 19X2.65       | 6          |
| 31             | GB70-85        | 螺钉M6X16        | Screw M6X16          | 3          |
| 32             | T30.57.113     | 主阀前盖           | Front cover          | 1          |
| 33             | T30.57.105     | 安全阀弹簧座         | Spring support       | 1          |
| 34             | T30.57.156~158 | 调整垫片           | Adjusting washer     | △          |
| 35             | T30.57.106     | 安全阀弹簧          | Spring               | 1          |
| 36             | T30.57.107     | 安全阀体           | Safety valve         | 1          |
| 37             | T30.57.127     | 安全阀座           | Safety valve support | 1          |
| 38             | T30.57.128     | 安全阀堵头          | Safety valve plug    | 1          |
| 39             | T30.57.159~161 | 调整垫片           | Adjusting washer     | △          |
| 40             | T30.57.114     | 推销             | Pushing pin          | 1          |
| 41             | T30.57.166     | 下降阀芯           | relief valve         | 1          |
| 42             | T30.57.140-1   | 下降阀弹簧          | Spring               | 1          |
| 43             | T30.57.138     | 下降阀套           | Valve bush           | 1          |
| 44             | T30.57.139     | 下降阀体           | Valve case           | 1          |
| 45             | GB3452.1-92    | O型密封圈16X1.8    | O-ring 16X1.8        | 1          |
| 46             | T30.57.137     | 下降阀堵塞          | Valve plug           | 1          |

к. 分配器总成

Cont. Distributor Assembly

| 序号<br>Ser. No. | 代号<br>Part No. | 名称             | Name             | 数量<br>Qty. |
|----------------|----------------|----------------|------------------|------------|
| 47             | GB3452.1-92    | O型密封圈22.4X2.65 | O-ring 22.4X2.65 | 1          |
| 48             | T30.57.145B    | 单向阀堵塞          | Plug             | 1          |
| 49             | T30.57.144B    | 单向阀弹簧          | Spring           | 1          |
| 50             | T30.57.164     | 单向阀体垫          | Washer           | 1          |
| 51             | T30.57.142B    | 单向阀体           | Needle valve     | 1          |
| 52             | T30.57.143B    | 单向阀座           | Valve seat       | 1          |
| 53             | T30.57.124     | 手柄压紧螺钉         | Impacted screw   | 1          |
| 54             | T30.57.126     | 耕深限位螺钉         | Limited screw    | 1          |
| 55             | E300.57.147-1  | 操纵板            | Control plate    | 1          |
| 56             | T30.57.129     | 耕深限位套          | Limited bush     | 1          |
| 57             | GB859-87       | 垫圈10           | Washer 10        | 2          |
| 58             | E300.57.132    | 手柄连接套          | Handle bush      | 1          |

△适量 Just right amount



悬挂机构总成  
Suspension Mechanism Assembly

# 悬挂机构总成

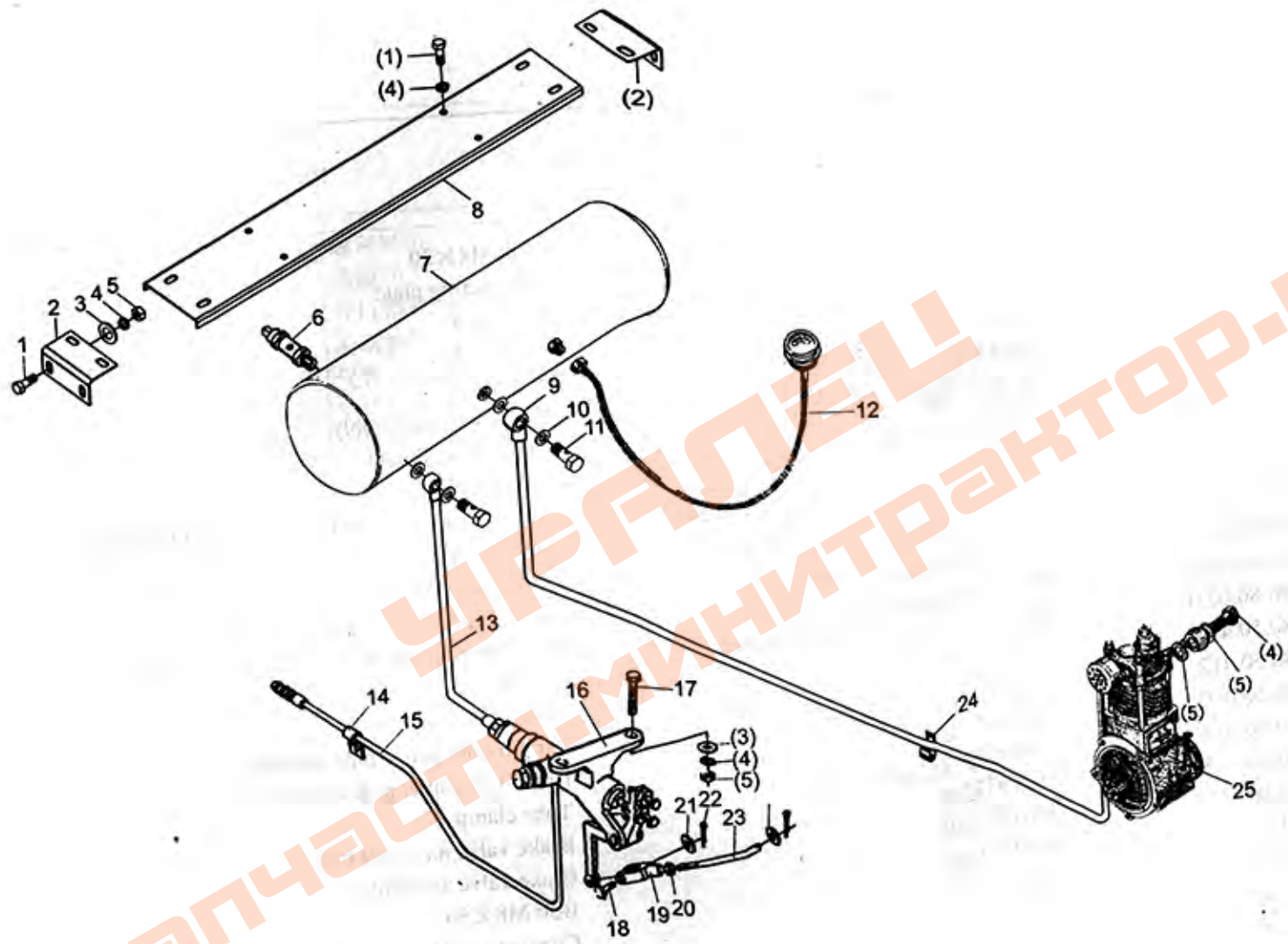
## Suspension Mechanism Assembly

| 序号<br>Ser. No. | 代 号<br>Part No. | 名 称          | Name                                      | 数量<br>Qty. |
|----------------|-----------------|--------------|---|------------|
| 1              | 300.56.184      | 提升杆连接销       | Connecting pin                            | 2          |
| 2              | 300.56.018      | 斜拉杆上端焊接总成    | Upper adjusting ukd.lift link             | 2          |
| 3              | 184.56.102      | 弹簧锁销         | Split pin ( I )                           | 6          |
| 4              | 300.56.023      | 上拉杆后连接销及锁销总成 | Rear connecting pin & lock pin assembly   | 1          |
|                | 160.56.014      | 锁销总成         | upper link Lock pin assembly              | 1          |
|                |                 | 镀锌铁丝链14#     | Zinc-coated iron wire chain #14           | 2          |
|                | 300.56.127      | 上拉杆后连接销      | Reat connecting pin,upper link            | 1          |
|                | 300.56.128      | 连接环          | Connecting ring                           | 1          |
|                | 300.56.129      | 连接圆环         | Connecting round ring                     | 1          |
| 5              | 300.56.020      | 上拉杆后调节杆总成    | Rear adjusting rod assembly,upper link    | 1          |
|                | 300.56.122      | 上拉杆后调节杆      | Rear adjusting rod,upper link             | 1          |
|                | 160.56.110      | 上拉杆球形接头      | Spherical joint,ipper link                | 1          |
| 7              | 300.56.022-1    | 上拉杆调节螺管焊合件   | Adjusting thread pipe assembly,upper link | 1          |
| 8              | GB/17940.1      | 直通式压注油杯M10×1 | Oil cup M10×1                             | 3          |
| 9              | 300.56.021      | 上拉杆前调节杆总成    | Front adjusting rod assembly,upper link   | 1          |
| 10             | GB/16170        | 螺母M22-左      | Nut M22-Left                              | 2          |
| 11             | 300.56.105      | 提升杆螺管        | Thread pipe,Hdraulic Power Lift           | 2          |
| 12             | GB/16170        | 螺母M22        | Nut M22                                   | 2          |
| 13             | 300.56.019      | 斜拉杆下端焊接总成    | Weldment assembly,lift link               | 2          |
| 14             | 300.56.015      | 右下拉杆带锁销总成    | Right lower linkassembly with lock pin    | 1          |
|                | 300.56.028      | 右下拉杆总成       | Right lower link assembly                 | 1          |
|                | 160.56.014      | 锁销总成         | Lock pin assembly                         | 1          |
|                |                 | 镀锌铁丝链14#     | Zinc-coated iron wire chain #14           | 1          |

## 续. 悬挂机构总成

## Cont. Suspension Mechanism Assembly

| 序号<br>Ser. No. | 代 号<br>Part No. | 名 称<br>Name  | 数量<br>Qty. |
|----------------|-----------------|--------------|------------|
|                | GB/T91          | 销5×22        | 1          |
| 15             | GB/T882         | 销轴B16×50     | 2          |
| 16             | GB/T6170        | 螺母M14        | 2          |
| 17             | GB/T93          | 垫圈14         | 2          |
| 18             | 300.56.048      | 下拉杆限位链总成     | 1          |
|                | 300.56.144      | 下拉杆限位链链环     | 13         |
|                | 300.56.145      | 下拉杆限位链固定螺栓   | 2          |
| 19             | 300.56.012      | 左下拉杆带锁销总成    | 1          |
|                | 300.56.024      | 左下拉杆总成       | 1          |
|                | 160.56.014      | 锁销总成         | 1          |
|                |                 | 镀锌铁丝链14#     | 1          |
|                | GB/T91          | 销5×22        | 1          |
| 20             | GB/T6170        | 螺母M16        | 2          |
| 21             | GB/T93-1987     | 垫圈16         | 2          |
| 22             | 300.56.017A     | 外置式限位链总成     | 2          |
|                | 300.56.035      | 限位链调节杆焊合件 I  | 1          |
|                | 300.56.036      | 限位链调节杆焊合件 II | 1          |
|                | 300.56.220      | 限位链螺管        | 1          |
|                | GB/T6170        | 螺母M22-左      | 1          |
|                | GB/T6170        | 螺母M22        | 1          |
| 23             | GB/T95          | 垫圈10         | 2          |
| 24             | GB/T882         | 销轴B10×40     | 2          |
| 25             | 300.56.301      | 限位链拉板        | 2          |



气制动总成  
Air Brake Assembly

## 气制动总成

## Air Brake Assembly

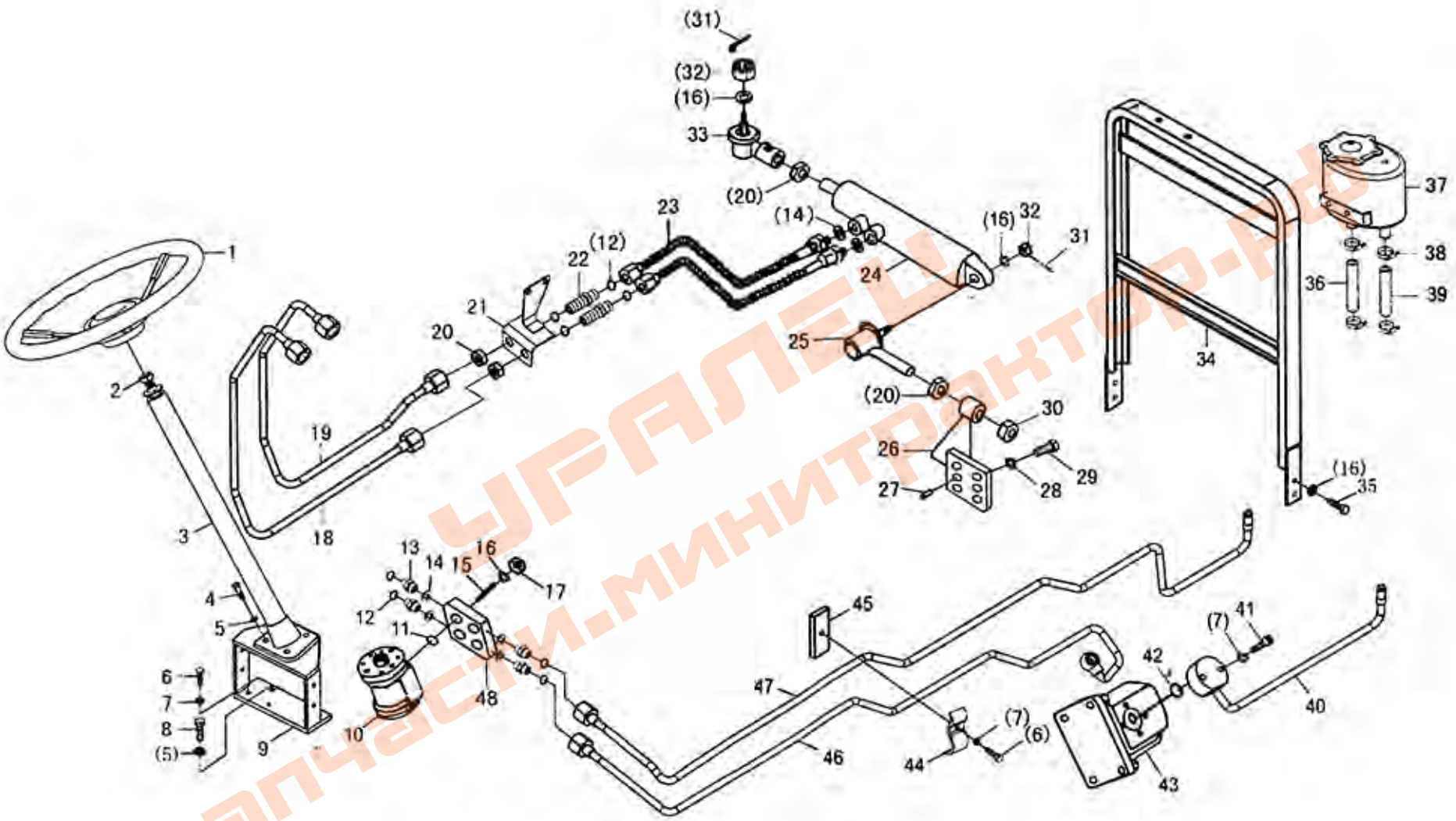
| 序号<br>Ser. No. | 代号<br>Part No. | 名称                        | Name   | 数量<br>Qty. |
|----------------|----------------|---------------------------|--|------------|
| 1              | GB/T5783       | 螺栓M8×20                   | Bolt M8×20                                   | 8          |
| 2              | 300.80.322     | 联接板                       | Connecting plate                             | 2          |
| 3              | GB/T97.1       | 垫圈8                       | Washer 8                                     | 10         |
| 4              | GB/T93         | 垫圈8                       | Washer 8                                     | 10         |
| 5              | GB/T6170       | 螺母M8                      | Nut M8                                       | 6          |
| 6              | 180.50.021     | 安全阀总成                     | Safety valve assembly                        | 1          |
| 7              | 300.80.012B-1  | 储气筒焊接总成                   | Air tank weldment                            | 1          |
| 8              | 300.80.321     | 储气筒支承板                    | Air tank plate                               | 1          |
| 9              | 300.80.021B    | 出气管总成(配TY395 / TY3100柴油机) | Outlet pipe assembly(For TY395 /3100 engine) | 1          |
|                | 300.80.021C    | 出气管总成((配SL2105ABT柴油机)     | Outlet pipe assembly(For SL2105ABT engine)   | 1          |
|                | 300.80.021D    | 出气管总成((配ZN390柴油机)         | Outlet pipe assembly(For ZN390 engine)       | 1          |
|                | 300.80.021E    | 出气管总成((配ZN490 柴油机)        | Outlet pipe assembly(For ZN490 engine)       | 1          |
|                | 300.80.021F    | 出气管总成((配4L22BT柴油机)        | Outlet pipe assembly(For 4L22BT engine)      | 1          |
| 10             | 180.50.413     | 垫圈                        | Washer                                       | 8          |
| 11             | 180.50.412     | 铰接螺栓                      | Bolt   | 4          |
| 12             | 300.80.010     | 气压表管总成                    | Air pressure gauge pipe assembly             | 1          |
| 13             | 300.80.018     | 制动阀进气管总成                  | Brake valve inlet pipe assembly              | 1          |
| 14             | 300.80.315     | 气管固定板                     | Tube clamp                                   | 1          |
| 15             | 300.80.011     | 制动管总成                     | Brake valve air outlet pipe assembly         | 1          |
| 16             | 180.50.020     | 制动阀总成                     | Brake valve assembly                         | 1          |
| 17             | GB/T5782       | 螺栓M8×50                   | Bolt M8×50                                   | 2          |
| 18             | GB/T882        | 销轴B10×30                  | Clevis pin with head B10×30                  | 1          |
| 19             | 180.50.411     | 制动阀调整叉                    | Brake valve adjusting fork                   | 1          |

## 续.气制动总成

## Cont. Air Brake Assembly

| 序号<br>Ser. No. | 代号<br>Part No. | 名称                              | Name                                | 数量<br>Qty. |
|----------------|----------------|---------------------------------|-------------------------------------|------------|
| 20             | GB/T6170       | 螺母M10                           | Nut M10                             | 1          |
| 21             | GB/T95         | 垫圈10                            | Washer 10                           | 2          |
| 22             | GB/T91         | 开口销3.2×16                       | Split pin 3.2×16                    | 2          |
| 23             | 300.80.313     | 制动拉杆                            | Brake valve pull rod                | 1          |
| 24             | 300.80.304     | 气管固定板                           | Tube clamp                          | 2          |
| 25             | ×300.80.021    | 空压机总成(直连泵)-----ZN390/490/SL2105 | Air compressor-----ZN390/490/SL2105 | 1          |
|                | 300.80.016     | 空压机总成(皮带传动)----TY395/TY3100     | Air compressor-----TY395/TY3100     | 1          |





全液压转向系统总成  
Power Steering Assembly

## 全液压转向系统总成

## Power Steering Assembly

| 序号<br>Ser. No. | 代号<br>Part No. | 名称            | Name                                     | 数量<br>Qty. |
|----------------|----------------|---------------|--|------------|
| 1              | 160.40.016A    | 方向盘(镁合金骨架)    | Steering wheel assembly                  | 1          |
|                | 160.40.019     | 方向盘(无喇叭)      | Steering wheel assembly                  | 1          |
|                | 160.40.020     | 方向盘(带喇叭)      | Steering wheel assembly                  | 1          |
| 2              | GB/T6171       | 螺母M16×1.5     | Nut M16×1.5                              | 1          |
| 3              | 404YZ.40.003   | 转向管柱总成        | Column                                   | 1          |
| 4              | GB/T5783       | 螺栓M10×30      | Bolt M10×30                              | 4          |
| 5              | GB/T93         | 垫圈10          | Washer 10                                | 6          |
| 6              | GB/T5783       | 螺栓M8×25       | Bolt M8×25                               | 2          |
| 7              | GB/T93         | 垫圈8           | Washer 8                                 | 2          |
| 8              | GB/T5783       | 螺栓M10×25      | Bolt M10×25                              | 2          |
| 9              | 304YZ.40.011-1 | 转向器支架焊合件      | Steering support weldment                | 1          |
| 10             | C905-01        | 全液压转向器        | Power steering gear                      | 1          |
| 11             | 160.54.401     | 齿轮泵密封圈        | Washer                                   | 4          |
| 12             | GB33452.1      | O形密封圈10×2.65  | O-ring 10×2.65                           | 8          |
| 13             | 304YZ.40.106   | 转向器油管接头       | Pipe connector power steering            | 4          |
| 14             | D17-EAA-16     | 复合垫圈16        | Washer 16                                | 4          |
| 15             | GB/T898        | 螺柱AM12-M12×40 | Stud AM12-M12×40                         | 2          |
| 16             | GB/T93         | 垫圈12          | Washer 12                                | 6          |
| 17             | GB/T6170       | 螺母M12         | Nut M12                                  | 2          |
| 18             | 304YZ.40.015-2 | 油缸油管总成(右)     | Pipe assembly, steering cylinder(Right)  | 1          |
| 19             | 304YZ.40.014-2 | 油缸油管总成(左)     | Pipe assembly, steering cylinder(Left)   | 1          |
| 20             | 304YZ.40.130   | M20×1.5薄螺母    | Nut M20×1.5                              | 2          |
| 21             | 304YZ.40.019-3 | 油缸油管支架焊合件     | Pipe support weldment, steering cylinder | 1          |

## 续. 全液压转向系统总成

## Cont. Power Steering Assembly

| 序号<br>Ser. No. | 代号<br>Part No. | 名称                             | Name                                      | 数量<br>Qty. |
|----------------|----------------|--------------------------------|---|------------|
| 22             | 304YZ.40.121   | 进出油管接头                         | Connector                                 | 2          |
| 23             | 304YZ.40.020   | 转向油缸油管总成-----ZN390/TY395/4L22T | Steering pipe assembly--ZN390/TY395/4L22T | 2          |
|                | 554YZ.40.021   | 转向油缸油管总成-----4L22BT/ZN490      | Steering pipe assembly----4L22BT/ZN490    | 2          |
| 24             | 304YZ.40.010-1 | 液压转向油缸总成-----配四轮驱动             | Steering cylinder assembly                | 1          |
|                | 180YZ.40.041-A | 液压转向油缸总成-----配两轮驱动             | Steering cylinder assembly                | 1          |
| 25             | 304YZ.31.022-1 | 球头总成                           | Pull rod joint assy                       | 1          |
| 26             | 304YZ.31.301-1 | 液压油缸后支座                        | Back support of hydraulic cylinder        | 1          |
| 27             | GB/T119        | 销D12×25                        | Pin D12×25                                | 2          |
| 28             | GB/T93         | 垫圈14                           | Washer 14                                 | 2          |
| 29             | GB/T5786       | 螺栓M14×35                       | Bolt M14×35                               | 2          |
| 30             | GB/T6171       | 螺母M20×1.5                      | Nut M20×1.5                               | 1          |
| 31             | GB/T91         | 开口销3.2×26                      | Split pin 3.2×26                          | 2          |
| 32             | GB/T6178       | 螺母M12                          | Nut M12                                   | 2          |
| 33             | 304YZ.31.020-1 | 油缸连接球头总成                       | Connector assembly, steering cylinder     | 1          |
| 34             | 304YZ.40.012B  | 散热器支架焊合件                       |   | 1          |
| 35             | GB/T5783       | 螺栓M12×25                       | Bolt M12×25                               | 4          |
| 36             | 304YZ.40.212A  | 耐油胶管                           | Soft pipe, PVC                            | 1          |
| 37             | DP160.40.010-1 | 动力转向油箱总成                       | Power steering tank                       | 1          |
| 38             | D16-15001-20   | 喉箍13-32                        | Circlip 13-32                             | 4          |
| 39             | 304YZ.40.212B  | 耐油胶管                           | Soft pipe, PVC                            | 1          |
| 40             | 304YZ.40.018-2 | 转向油泵进油管总成-----TY395/4L22T      | Inlet pipe assembly, power steering gear  | 1          |
|                | 304T.40.018    | 转向油泵进油管总成-----SL2105ABT        | Inlet pipe assembly, power steering gear  | 1          |
|                | 304YZ.40.018C  | 转向油泵进油管总成-----ZN390            | Inlet pipe assembly, power steering gear  | 1          |

Cont. Power Steering Assembly

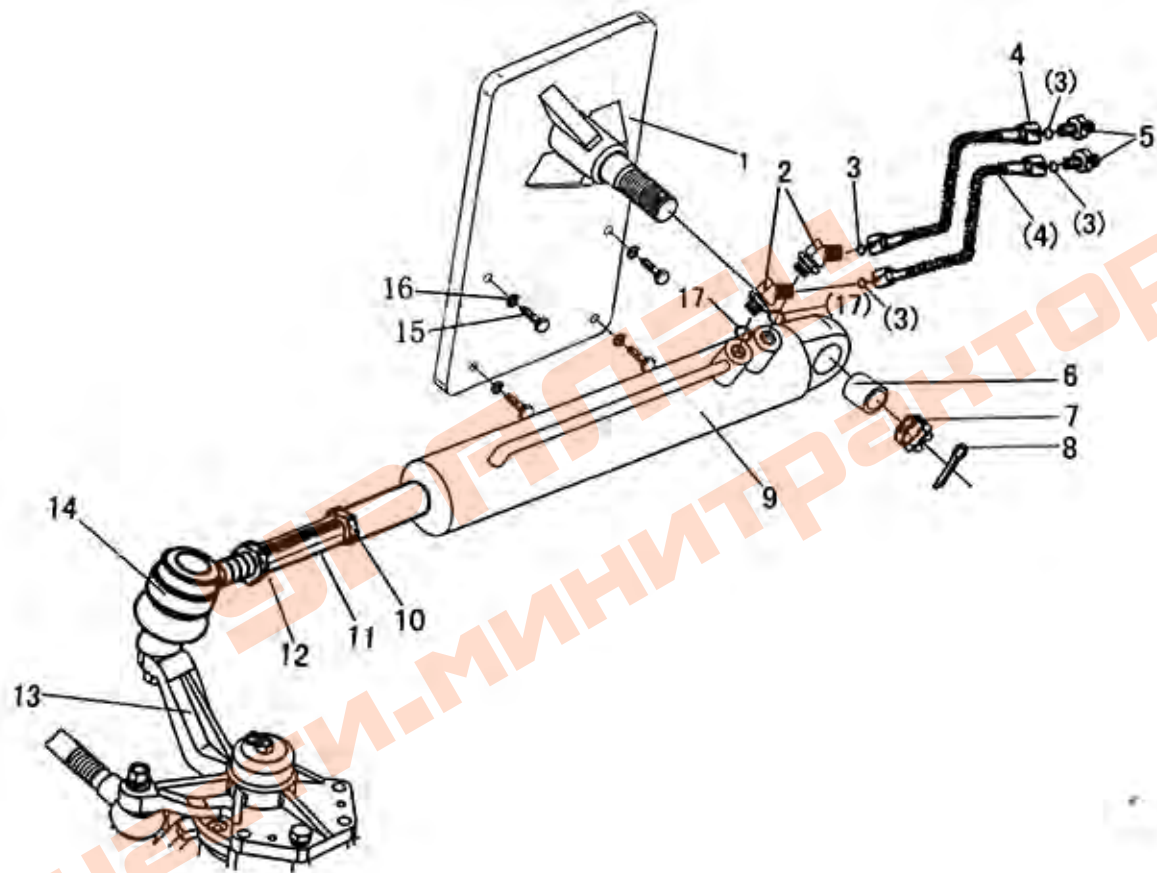
续. 全液压转向系统总成

| 序号<br>Ser. No. | 代号<br>Part No. | 名称                               | Name  | 数量<br>Qty. |
|----------------|----------------|----------------------------------|---|------------|
|                | 304YZ.40.018E  | 转向油泵进油管总成-----4L22BT             | Inlet pipe assembly, power steering gear      | 1          |
|                | 304YZ.40.052   | 转向油泵进油管总成-----JD3100             | Inlet pipe assembly, power steering gear      | 1          |
|                | 354YZ.40.014   | 转向油泵进油管总成-----SL3100/SL3105      | Inlet pipe assembly, power steering gear      | 1          |
|                | 354YZ.40.014A  | 转向油泵进油管总成-----ZN490              | Inlet pipe assembly, power steering gear      | 1          |
| 41             | GB/T70         | 内六角螺栓 M8×40                      | Bolt M8×40                                    | 2          |
| 42             | GB/T3452.1     | O形密封圈20*2.65                     | O-ring 20×2.65                                | 1          |
| 43             | C901-306-102   | 恒流泵(左旋/花键/70×100)---TY395/4L22T  | Stable overflow pump                          | 1          |
|                | C901-306-103   | 恒流泵(右旋/花键/70×100)---4L22BT       | Stable overflow pump                          | 1          |
|                | C901-306-105   | 恒流泵(右旋/扁口/70×100)---SL2105/ZN490 | Stable overflow pump                          | 1          |
| 44             | 304YZ.40.204   | 油管固定卡II                          | Pipe clip II                                  | 1          |
| 45             | 304YZ.40.202   | 油管固定板II                          | Pipe press plate II                           | 1          |
| 46             | 304YZ.40.016-2 | 转向器进油管总成-----TY395/4L22T         | Inlet pipe assembly, power steering gear      | 1          |
|                | 304.40.016SB   | 转向器进油管总成-----SL2105ABT           | Inlet pipe assembly, power steering gear      | 1          |
|                | 304YZ.40.016C  | 转向器进油管总成-----ZN390               | Inlet pipe assembly, power steering gear      | 1          |
|                | 304YZ.40.016E  | 转向器进油管总成-----4L22BT              | Inlet pipe assembly, power steering gear      | 1          |
|                | 304YZ.40.050   | 转向器进油管总成-----JD3100              | Inlet pipe assembly, power steering gear      | 1          |
|                | 354YZ.40.012   | 转向器进油管总成-----SL3100/SL3105       | Inlet pipe assembly, power steering gear      | 1          |
|                | 354YZ.40.012A  | 转向器进油管总成-----ZN490               | Inlet pipe assembly, power steering gear      | 1          |
| 47             | 304YZ.40.017-2 | 转向器回油管总成-----TY395/4L22T         | Oil return pipe assembly, power steering gear | 1          |
|                | 304.40.017SB   | 转向器回油管总成-----SL2105ABT           | Oil return pipe assembly, power steering gear | 1          |
|                | 304YZ.40.017C  | 转向器回油管总成-----ZN390               | Oil return pipe assembly, power steering gear | 1          |
|                | 304YZ.40.017E  | 转向器回油管总成-----4L22BT              | Oil return pipe assembly, power steering gear | 1          |
|                | 304YZ.40.051   | 转向器回油管总成-----JD3100              | Oil return pipe assembly, power steering gear | 1          |

Cont. Power Steering Assembly

续. 全液压转向系统总成

| 序号<br>Ser. No. | 代 号<br>Part No.                                 | 名 称   | Name   | 数量<br>Qty.  |
|----------------|---|---|--|-------------|
| 48             | 354YZ.40.012<br>354YZ.40.012A<br>304YZ.40.105-1 | 转向器回油管总成-----SL3100/SL3105<br>转向器回油管总成-----ZN490<br>转向器阀座 | Oil return pipe assembly, power steering gear<br>Oil return pipe assembly, power steering gear<br>connecting base, power steering gear | 1<br>1<br>1 |

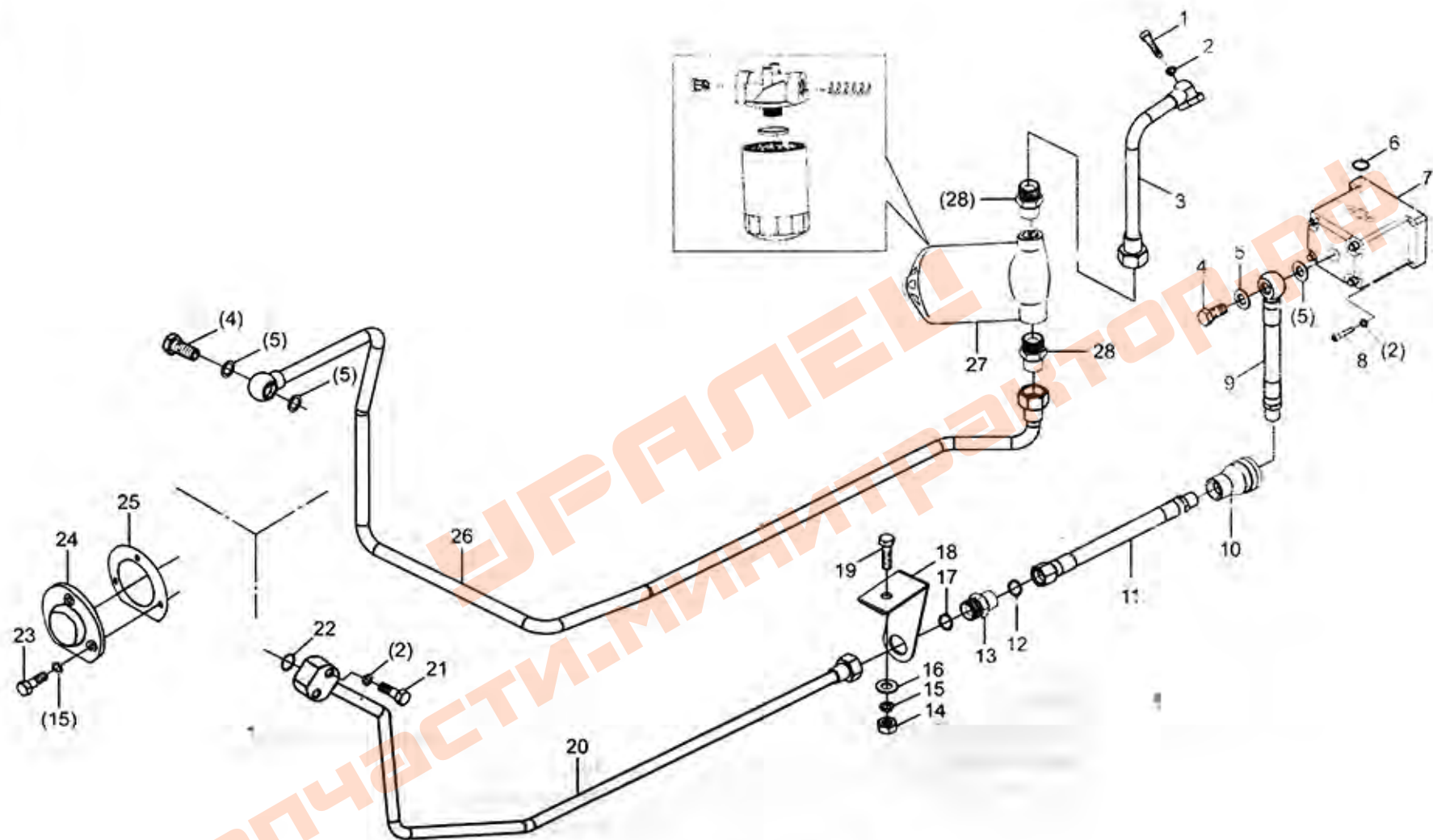


侧置液压转向总成  
Side Hydraulic Steering Assembly

## 侧置液压转向总成

## Side Hydraulic Steering Assembly

| 序号<br>Ser. No. | 代号<br>Part No.  | 名称               | Name                          | 数量<br>Qty. |
|----------------|-----------------|------------------|-------------------------------|------------|
| 1              | 304YZ.40.030    | 油缸支座焊合件          | Rear support seat             | 1          |
| 2              | 160YZ.40.030-1  | 45°弯头(合件)        | 45° Connector                 | 2          |
| 3              | GB3452.1-1992   | O形密封圈10×2.65     | O-ring 10×2.65                | 4          |
| 4              | 160YZ.40.011-1  | 转向右油管总成          | Pipe                          | 2          |
| 5              | 304YZ.40.106    | 转向器油管接头          | Pipe connector power steering | 2          |
| 6              | 160YZ.40.102    | 隔套               | Bush                          | 1          |
| 7              | GB/T6178        | 六角开槽螺母M16        | Nut M16                       | 1          |
| 8              | GB/T91          | 销4×32            | Pin 4×32                      | 1          |
| 9              | 184YZ.40.041-B  | 侧置液压转向油缸SG45×160 | Steering cylinder SG45×160    | 1          |
| 10             | GB/T6173        | 薄螺母M20×1.5       | Nut M20×1.5                   | 1          |
| 11             | 304YZ.40.140    | 接杆               | Connecting rod                | 1          |
| 12             | GB/T6173        | 薄螺母M20×1.5-左     | Nut M20×1.5-left              | 1          |
| 13             | 304YZ.31.156-1  | 左转向臂             | Left steering knuckle arm     | 1          |
| 14             | 304YZ.31.022-1A | 转向拉杆接头总成         | Pull rod joint                | 1          |
| 15             | GB/T5783        | 螺栓M12×30         | Bolt M12×30                   | 4          |
| 16             | GB/T93          | 垫圈12             | Washer 12                     | 4          |
| 17             |                 | 复合垫圈16           | Washer 14                     | 2          |



液压油泵及管路总成 |  
Pump and pipe |



液压油泵及管路总成 I

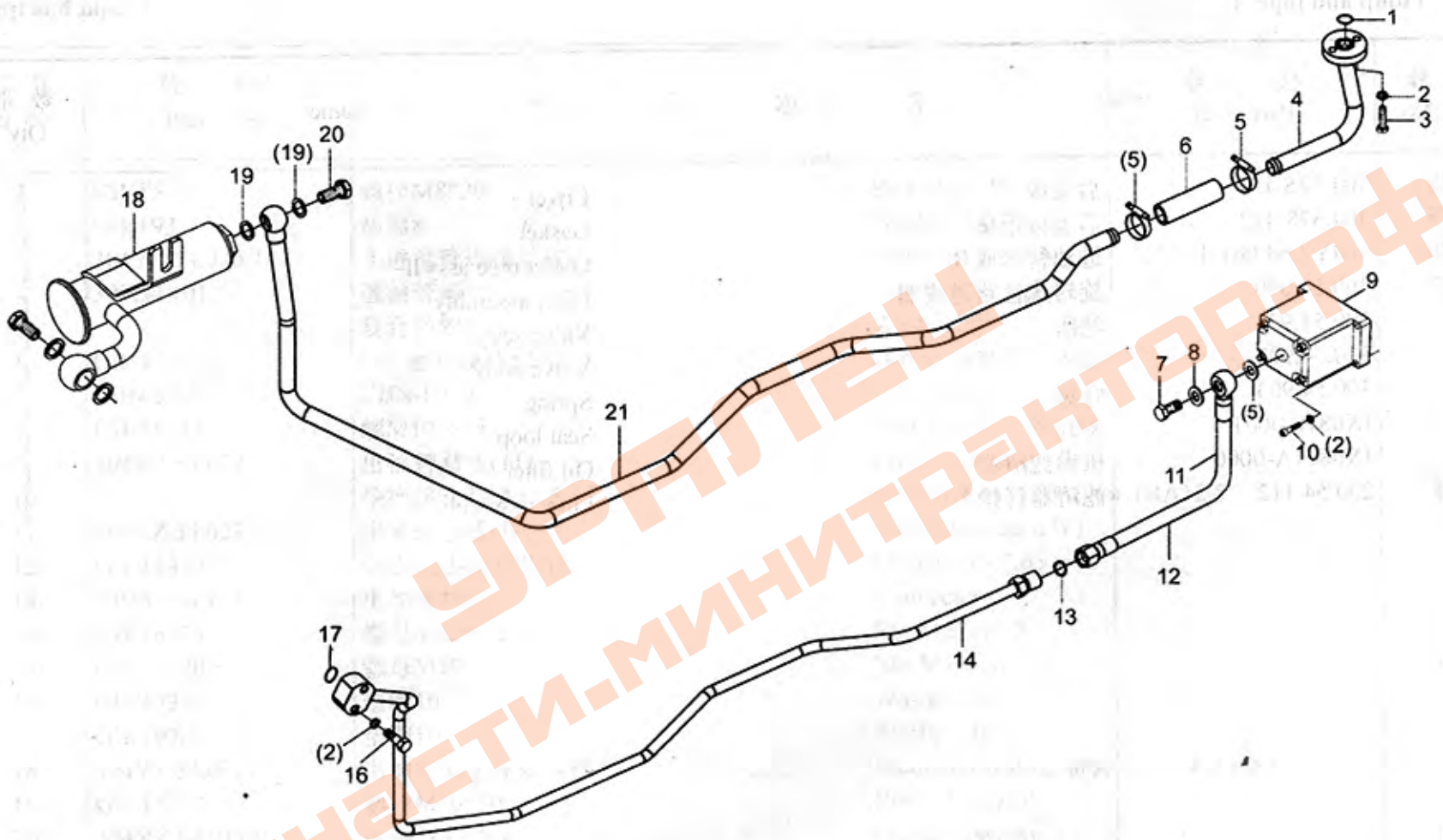
Pump and pipe I

| 序号<br>Ser. No. | 代号<br>Part No. | 名称             | Name                                  | 数量<br>Qty. |
|----------------|----------------|----------------|---------------------------------------|------------|
| 1              | GB/T5783       | 螺栓M8*20        | Bolt M8×20                            | 2          |
| 2              | GB/T93         | 垫圈8            | Washer 8                              | 2          |
| 3              | 304YZ.54.040-1 | 上进油管焊接总成       | Inlet pipe assembly                   | 1          |
| 4              | 300.54.101     | 进油管螺钉          | Screw, inlet pipe                     | 1          |
| 5              |                | 复合垫圈20         | Washer 20                             | 2          |
| 6              | GB/T3452.1     | O形密封圈18*2.65   | O-ring 18×2.65                        | 1          |
| 7              | CBN-E314       | CBN-E314       | Gear pump                             | 1          |
| 8              | GB/T5783       | 螺M10×35        | Bolt 10×35                            | 4          |
| 9              | 304YZ.54.022   | 出油管总成(III)     | Outlet pipe assy (III)                | 1          |
| 10             |                | 快换接头TRA12.5    | Quick release connector TRA12.5       | 1          |
| 11             | 304YZ.54.023   | 出油管总成(IV)      | Outlet pipe assy(IV)                  | 1          |
| 12             | GB/T3452.1     | O形密封圈10*2.65   | O-ring 10×2.65                        | 1          |
| 13             | DP184.54.116   | 出油管接头          | Connector                             | 1          |
| 14             | GB/T6173       | 螺母M22*1.5      | Nut M22×1.5                           | 1          |
| 15             | GB/T6170       | 螺母M10          | Nut M10                               | 1          |
| 16             | GB/T93         | 垫圈10           | Washer 10                             | 5          |
| 17             | GB/T97.1       | 垫圈10           | Washer 10                             | 5          |
| 18             | 304YZ.54.021-2 | 出油管安装座焊合件      | Mounting seat weldment of outlet pipe | 1          |
| 19             | GB/T5783       | 螺栓M10*30       | Bolt 10×30                            | 1          |
| 20             | 304YZ.54.013A  | 出油管总成 I        | Outlet pipe assy I                    | 1          |
| 21             | GB/T5783       | 螺栓M8*40        | Bolt 8×40                             | 2          |
| 22             | GB/T3452.1     | O形密封圈11.2*2.65 | O-ring 11.2×2.65                      | 1          |
| 23             | GB/T5783       | 螺栓M10×25       | Bolt M10×25                           | 3          |

续. 液压油泵及管路总成 I

Cont. Pump and pipe I

| 序号<br>Ser. No. | 代号<br>Part No. | 名称       | Name                | 数量<br>Qty. |
|----------------|----------------|----------|---------------------|------------|
| 24             | 304.37S.411    | 后盖板      | Cover               | 1          |
| 25             | 304.37S.412    | 后盖板纸垫    | Gasket              | 1          |
| 26             | 304YZ.54.041-1 | 进油管总成 II | Outlet pipe assy II | 1          |
| 27             | 300.54.090     | 旋转式管路过滤器 | Filter assembly     | 1          |
|                | 300.54.901     | 滤座       | Valve seat          | 1          |
|                | 300.54.902     | 阀体       | Valve body          | 1          |
|                | 300.54.903     | 弹簧       | Spring              | 1          |
|                | JX0810-0001    | 密封圈      | Seal loop           | 1          |
|                | JX0811A-0000   | 机油滤清器    | Oil filter          | 1          |
| 28             | 250.54.112     | 滤清器管接头   | Filter assembly     | 2          |



УПРАВЛЕНИЕ  
ЗАПЧАСТИ-МИНИТРАКТОР.РФ

液壓油泵及管路总成 II  
Pump and pipe II

液压油泵及管路总成II

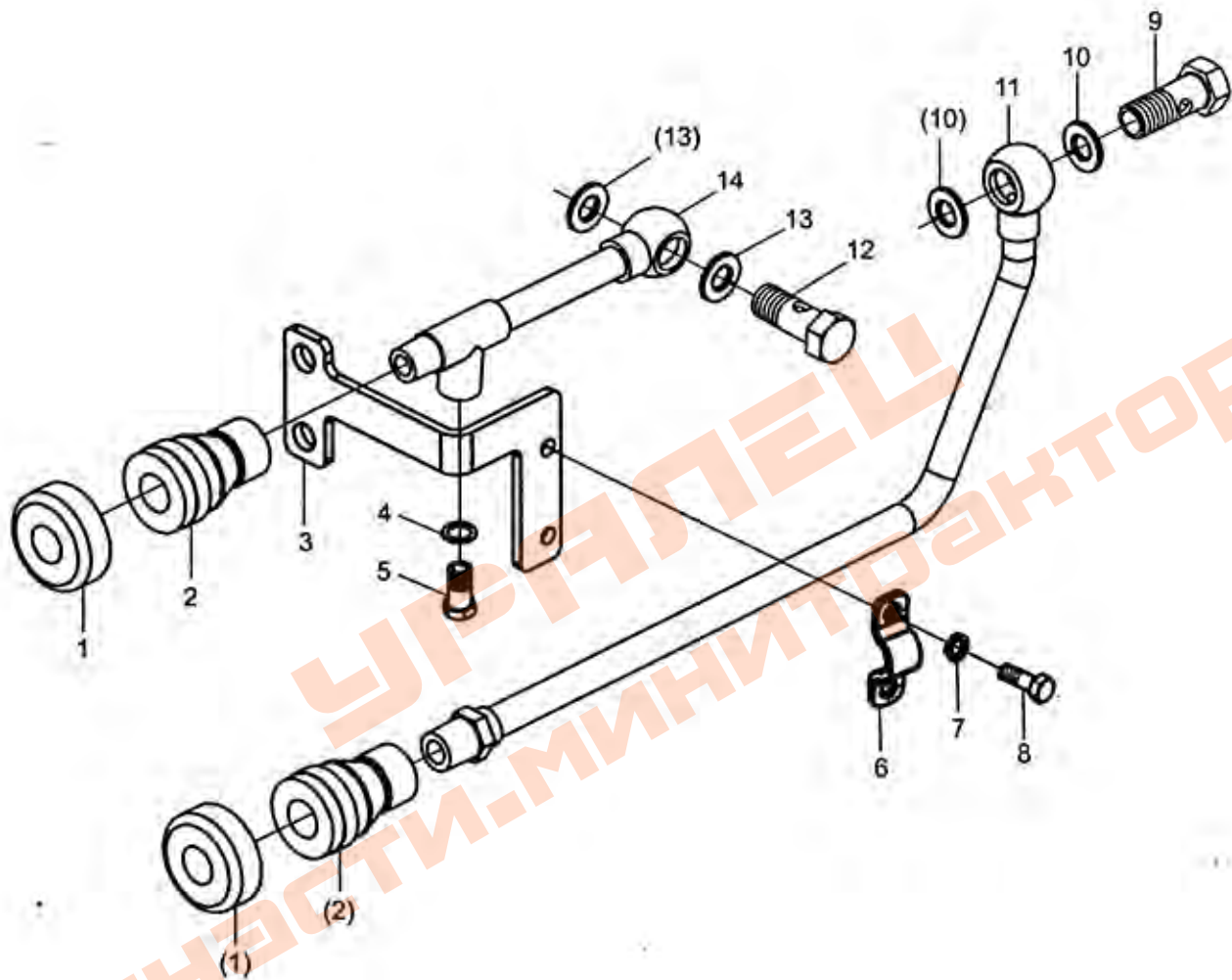
Pump and pipe II

| 序号<br>Ser. No. | 代号<br>Part No. | 名称                             | Name                   | 数量<br>Qty. |
|----------------|----------------|--------------------------------|------------------------|------------|
| 1              | GB/T3452.1     | O形密封圈18×2.65                   | O-ring 18×2.65         | 1          |
| 2              | GB/T93         | 垫圈8                            | Washer 8               | 2          |
| 3              | GB/T5783       | 螺栓M8×20                        | Bolt M8×20             | 2          |
| 4              | 304.54.012     | 进油管总成II                        | Inlet pipe assembly II | 1          |
|                | 304.54.012A    | 进油管总成II                        | Inlet pipe assembly II | 1          |
|                | 304.54.012B    | 进油管总成II                        | Inlet pipe assembly II | 1          |
|                | 304.54.012C    | 进油管总成II                        | Inlet pipe assembly II | 1          |
|                | 304.54.012D    | 进油管总成II                        | Inlet pipe assembly II | 1          |
| 5              |                | 卡箍25                           | Clamp 25               | 2          |
| 6              | 304YZ.54.513A  | 夹布输油胶管                         | Clip cloth oil hose    | 1          |
| 7              | 160.54.108     | 铰接螺栓                           | Screw, inlet pipe      | 4          |
| 8              |                | 复合垫圈18                         | Washer 18              | 1          |
| 9              | C901-310-003   | 齿轮泵(310,左旋,扁口)-----SL210ABT    | Gear pump              | 1          |
|                | C901-314-004   | 齿轮泵(314,右旋,花键)-----4L22BT      | Gear pump              | 1          |
|                | C901-314-008   | 齿轮泵(314,左旋,扁口)-----ZN390/ZN490 | Gear pump              | 1          |
| 10             | C901-314-010   | 齿轮泵(314,右旋,花键)-----TY3100      | Gear pump              | 1          |
| 11             | GB/T5783       | 螺M10×35                        | Bolt 10×35             | 1          |
| 12             | 304YZ.54.014C  | 出油管总成II                        | Outlet pipe assy II    | 1          |
|                | 304YZ.54.053A  | 出油管总成II                        | Outlet pipe assy II    | 1          |
| 13             | GB/T3452.1     | O形密封圈10*2.65                   | O-ring 10×2.65         | 1          |
| 14             | 304.54.011     | 出油管总成I                         | Outlet pipe assy II    | 1          |
| 15             | 304.54.011A    | 出油管总成I                         | Outlet pipe assy II    | 1          |
| 16             | GB/T5782       | 螺栓M8×40                        | Bolt M8×40             | 1          |

## 续. 液压油泵及管路总成II

## Cont. Pump and pipe II

| 序号<br>Ser. No. | 代号<br>Part No. | 名称             | Name                   | 数量<br>Qty. |
|----------------|----------------|----------------|------------------------|------------|
| 18             | GB/T3452.1     | O形密封圈11.2*2.65 | O-ring 11.2×2.65       | 1          |
| 19             |                | 复合垫圈20         | Washer 18              | 4          |
| 20             | 300.54.101     | 进油管螺钉          | Bolt                   | 2          |
| 21             | 304.54.010     | 进油管总成 I        | Inlet pipe assembly I  | 1          |
|                | 304.54.010A    | 进油管总成 I        | Inlet pipe assembly II | 1          |

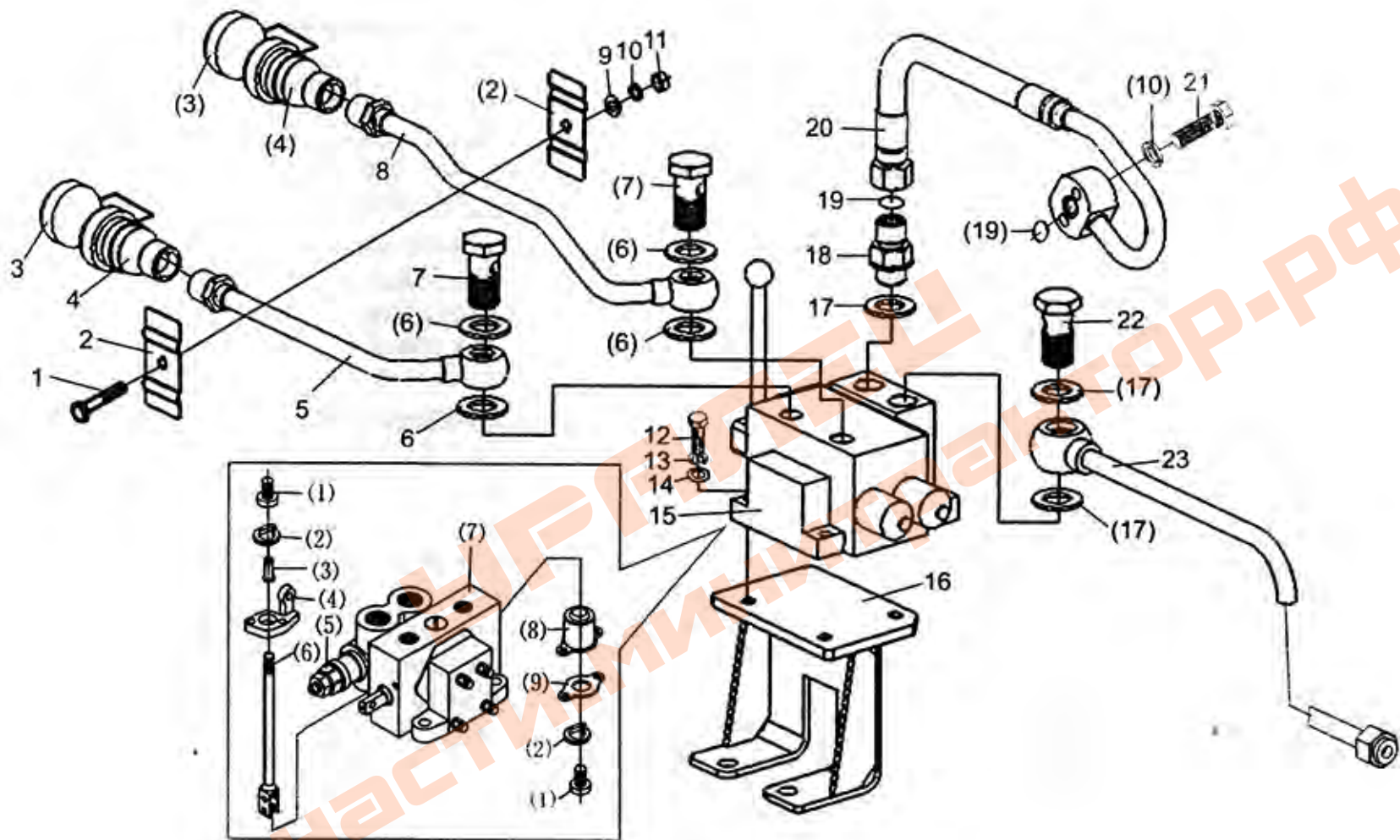


液压输出油管总成  
Hydraulic Take-off Pipe

液压输出油管总成

Hydraulic Take-off Pipe

| 序号<br>Ser. No. | 代号<br>Part No. | 名称             | Name                            | 数量<br>Qty. |
|----------------|----------------|----------------|---------------------------------|------------|
| 1              | 160.54.220     | 快换接头防尘罩(I)     | plastic cover for connector     | 2          |
| 2              |                | TRA12.5快换接头(凹) | Quick release connector TRA12.5 | 2          |
| 3              | 300.54.201     | 液压输出油管固定座      | Outlet pipe bracket             | 1          |
| 4              |                | 复合垫圈16         | Compound Washer 16              | 1          |
| 5              | GB/T5786       | 螺栓M16×1.5×16   | Bolt M16×1.5×16                 | 1          |
| 6              | 400.54.135     | 输出油管压盖         | Outlet pipe bracket II          | 1          |
| 7              | GB/T93         | 垫圈8            | Washer8                         | 2          |
| 8              | GB/T5783       | 螺栓M8×16        | Bolt M8×16                      | 2          |
| 9              | 160.54.108     | 铰接螺栓           | Bolt                            | 1          |
| 10             |                | 复合垫圈18         | Compound Washer 18              | 2          |
| 11             | 300.54.016     | 液压输出油管焊合件      | Outlet pipe assembly            | 1          |
| 12             | 300.54.101     | 进油管螺钉          | Screw, inlet pipe               | 1          |
| 13             |                | 复合垫圈20         | Compound Washer 20              | 2          |
| 14             | 300.54.015     | 液压输出回油管焊接总成    | Return pipe assembly            | 1          |



液压输出油管总成 (多路阀)  
Hydraulic Take-off Pipe (Multi-way valve)



液压输出油管总成(多路阀)

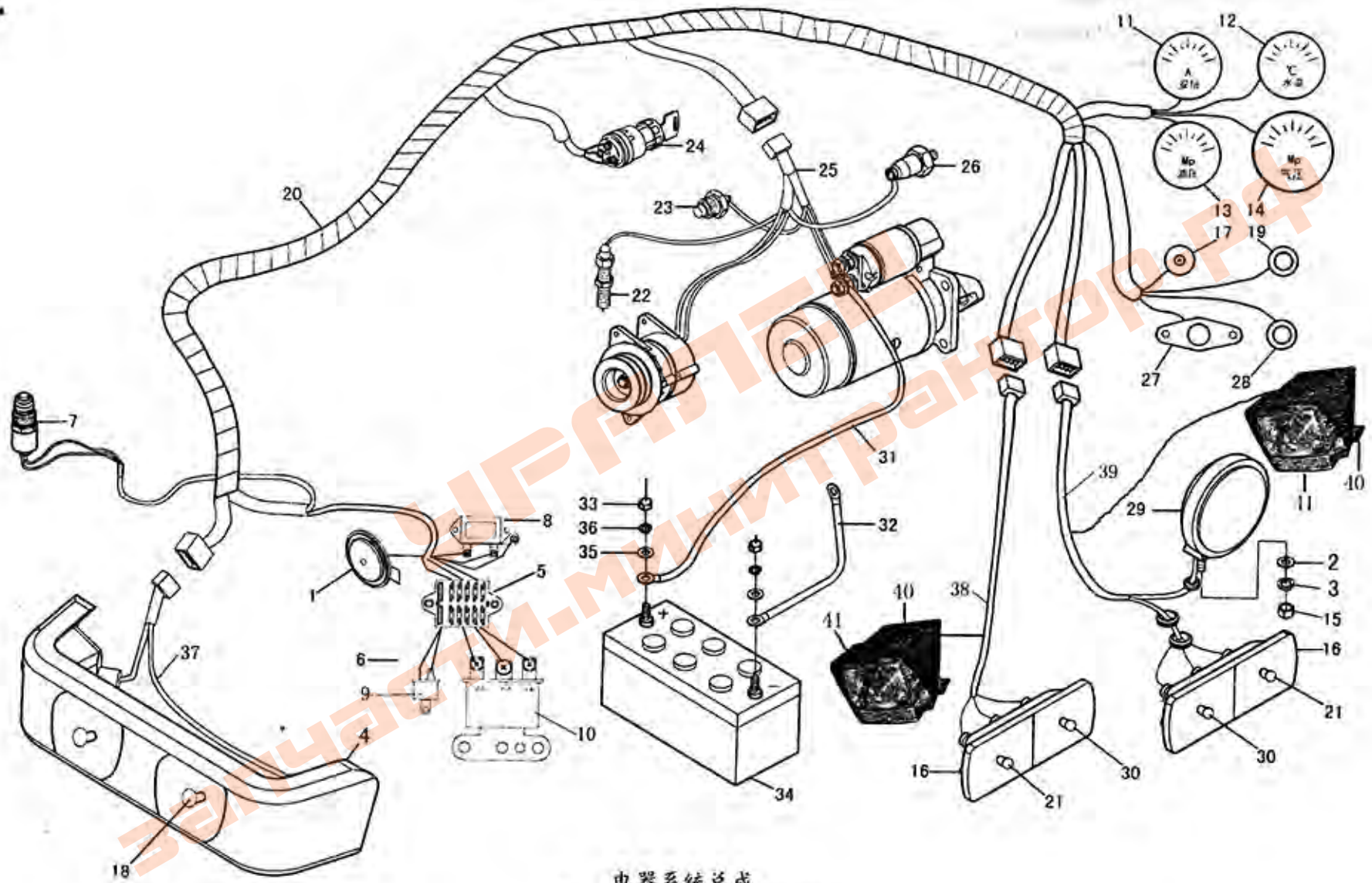
Hydraulic Take-off Pipe (Multi-way valve)

| 序号<br>Ser. No. | 代号<br>Part No. | 名称             | Name                            | 数量<br>Qty. |
|----------------|----------------|----------------|---------------------------------|------------|
| 1              | GB/T5783       | 螺栓M8×25        | Bolt M8×25                      | 1          |
| 2              | 700.40.145     | 双管夹            | Clamp plate                     | 2          |
| 3              | 160.54.220     | 快换接头防尘罩(I)     | Plastic cover for connector     | 2          |
| 4              |                | TRA12.5快换接头(凹) | Quick release connector TRA12.5 | 2          |
| 5              | 304YZ.54.058   | 液压输出油管焊合件 I    | Outlet pipe assembly I          | 1          |
| 6              |                | 复合垫圈18         | Washer 18                       | 4          |
| 7              | 160.54.108     | 铰接螺栓           | Bolt                            | 2          |
| 8              | 304YZ.54.059   | 液压输出油管焊合件 II   | Outlet pipe assembly II         | 1          |
| 9              | GB/T97.1       | 垫圈8            | Washer 8                        | 1          |
| 10             | GB/T93         | 垫圈8            | Washer 8                        | 3          |
| 11             | GB/T6170       | 螺母M8           | Nut M8                          | 1          |
| 12             | GB/T5783       | 螺栓M10×30       | Bolt M10×30                     | 3          |
| 13             | GB/T93         | 垫圈10           | Washer 10                       | 3          |
| 14             | GB/T6170       | 垫圈10           | Washer 10                       | 3          |
| 15             | DLS-L15F-T     | 多路换向阀          | Multi-way valve                 | 1          |
| (1)            | DLS-L15F-01    | 螺钉M6×20        | Screw M6×20                     | 4          |
| (2)            | DLS-L15F-02    | 垫圈6            | Washer 6                        | 4          |
| (3)            | DLS-L15F-03    | 销轴             | Axis pin                        | 1          |
| (4)            | DLS-L15F-04    | 小支架            | Support                         | 1          |
| (5)            | DLS-L15F-05    | 主溢流阀           | Main safety valve               | 1          |
| (6)            | DLS-L15F-06    | 手柄             | Handle                          | 1          |
| (7)            | DLS-L15F-07    | 阀体             | Valve body                      | 1          |
| (8)            | DLS-L15F-08    | 罩壳             | Case                            | 1          |

## 续.液压输出油管总成(多路阀)

## Cont.Hydraulic Take-off Pipe (Multi-way valve)

| 序号<br>Ser. No. | 代号<br>Part No. | 名称             | Name                 | 数量<br>Qty. |
|----------------|----------------|----------------|----------------------|------------|
| (9)            | DI.S-L15F-09   | 垫片             | Washer               | 1          |
| 16             | 304YZ.54.056   | 多路阀安装座焊合件      | Bracket weldment     | 1          |
| 17             |                | 复合垫圈22         | Washer 22            | 3          |
| 18             | 400.54.701     | 阀接头            | Connector            | 1          |
| 19             | GB3452.1       | O形密封圈11.2×2.65 | O-ring 11.2×2.65     | 2          |
| 20             | 304YZ.54.057   | 出油管合件          | Outlet pipe assembly | 1          |
| 21             | GB/T5782       | 螺栓M8×40        | Bolt M8×40           | 1          |
| 22             | 700.13.130     | 空心螺栓           | Bolt                 | 1          |
| 23             | 300.54.026A    | 出油管总成          | Outlet pipe assembly | 1          |



电器系统总成  
Electrical System Assy

电器系统总成

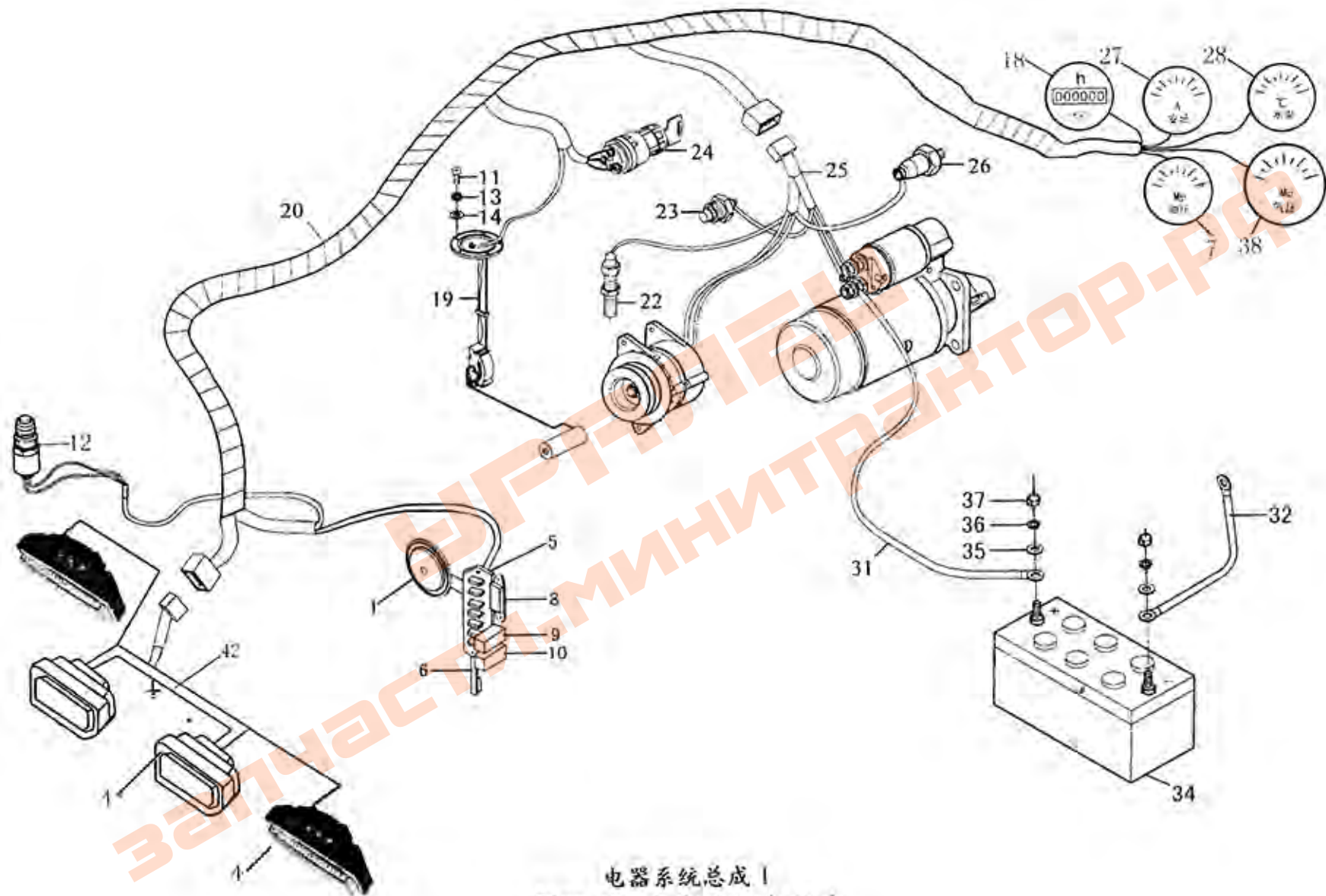
Electrical System Assembly

| 序号<br>Ser. No. | 代号<br>Part No. | 名称       | Name                    | 数量<br>Qty. |
|----------------|----------------|----------|-------------------------|------------|
| 1              | C502-Q280      | 喇叭       | Horn                    | 1          |
| 2              | GB/T93         | 垫圈12     | Washer 12               | 3          |
| 3              | GB/T97.1       | 垫圈12     | Washer 12               | 3          |
| 4              | C201-016       | 组合前大灯    | Front right             | 1          |
| 5              | C702-BX-410    | 保险丝盒     | Fuse box                | 1          |
| 6              | 250.48.035-3   | 保险丝盒支架   | Bracket                 | 1          |
| 7              | C402-008       | 制动灯开关    | Switch for brake light  | 1          |
| 8              | C501-001       | 电压调节器    | Regulator               | 1          |
| 9              | C503-SG123     | 电子闪光灯    | Flasher                 | 1          |
| 10             | C502-J2        | 喇叭继电器    | Horn relay              | 1          |
| 11             | C107-30A       | 电流表      | Electric current meter  | 1          |
| 12             | C101-002       | 水温表      | Water temperature meter | 1          |
| 13             | C103-001       | 油压表      | Oil press meter         | 1          |
| 14             | C104           | 气压表      | Gas press meter         | 1          |
| 15             | GB/T6170       | 螺母M12    | Nut M12                 | 1          |
| 16             | C202-004       | 后组合灯     | Rear light              | 1          |
| 17             | C402-010       | 转向灯开关    | Turn light switch       | 1          |
| 18             | C210-010       | 前大灯灯泡    | Front bulb              | 2          |
| 19             | C402-002       | 前大灯近远光开关 | Front light switch      | 1          |
| 20             | 300.48D.025    | 主线束      | Main harness            | 1          |
| 21             | C210-015       | 三色灯灯泡    | Double light bulb       | 2          |
| 22             | C304-003       | 转速表感应塞   | Speed sensor            | 1          |

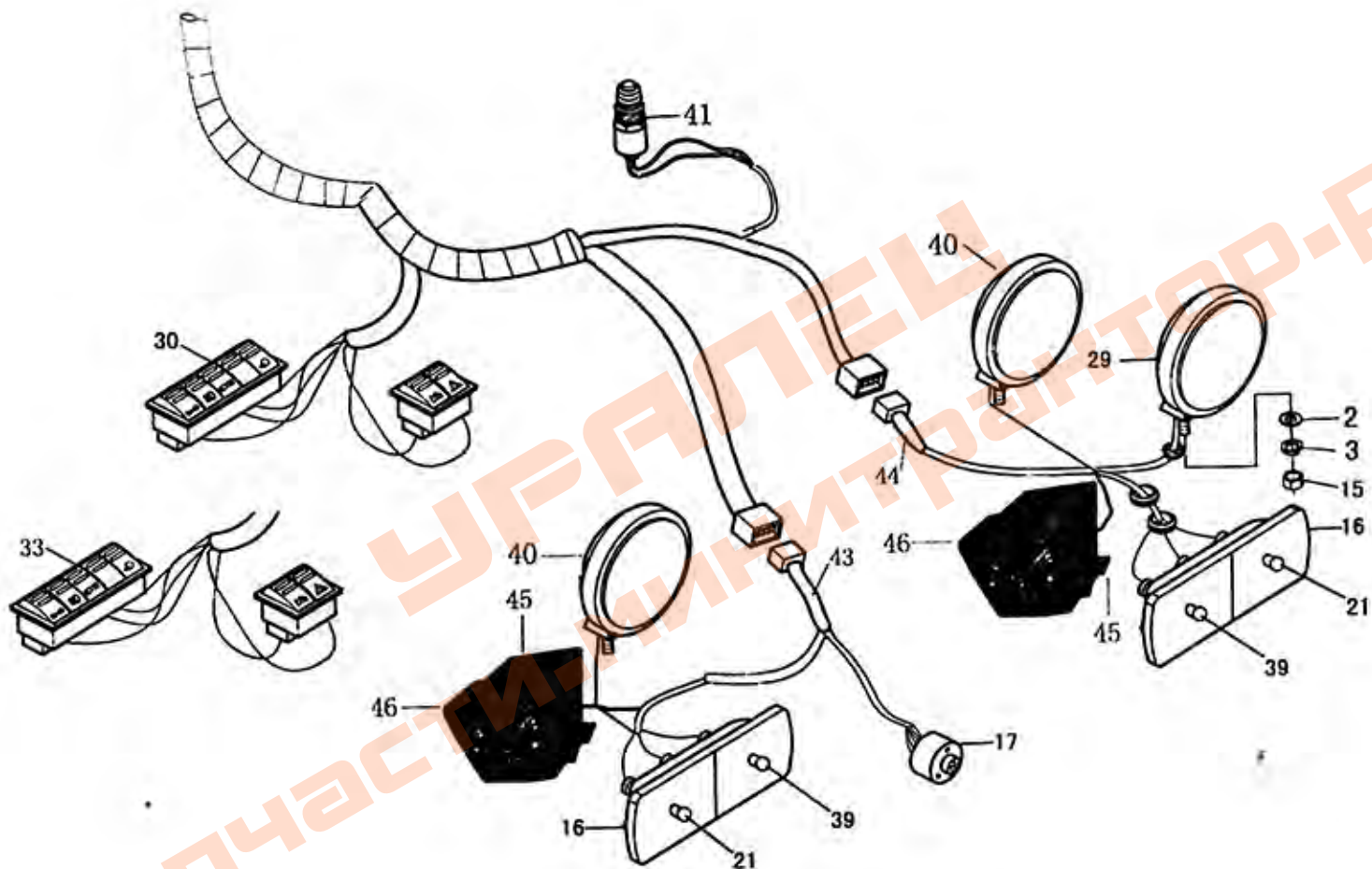
电器系统总成

Electrical System Assembly

| 序号<br>Ser. No. | 代号<br>Part No. | 名称              | Name                           | 数量<br>Qty. |
|----------------|----------------|-----------------|--------------------------------|------------|
| 23             | C301-003       | 水温传感器           | Water temperature sensor       | 1          |
| 24             | C402-0031      | 预热启动开关          | Preheat starting switch        | 1          |
| 25             | 300.48.062D    | 柴油机线束           | Diesel engine harness          | 1          |
| 26             | C303-002       | 油压传感器           | Oil pressure plug              | 1          |
| 27             | C402-005       | 喇叭开关            | Horn switch                    | 1          |
| 28             | C402-002       | 后工作灯开关          | Tail lamp switch               | 1          |
| 29             | C203-001       | 后工作灯总成          | Tail lamp                      | 1          |
| 30             | C210-018       | 制动灯灯泡           | Bulb                           | 2          |
| 31             | 180.48.027-3   | 蓄电池至起动机电缆(长910) | Cable, form battery to starter | 1          |
| 32             | 180.48.028     | 搭铁线总成(长270)     | Earth cable, battery           | 1          |
| 33             | GB/T6170       | 螺母M8            | Nut M8                         | 2          |
| 34             | C603-6QW-90A11 | 蓄电池总成           | Battery                        | 1          |
| 35             | GB/T97.1       | 垫圈8             | Washer 8                       | 2          |
| 36             | GB/T93         | 垫圈8             | Washer 8                       | 2          |
| 37             | 300.48.063C    | 前大灯线束           | Headlamp harness               | 1          |
| 38             | 300.48.065C    | 右护板线束           | Right apron harness            | 1          |
| 39             | 300.48.064C    | 左护板线束           | Left apron harness             | 1          |
| 40             | 250.48.233     | 前位灯支架           | Bracket of teposition lamp     | 2          |
| 41             | C202-009       | 前位灯             | teposition lamp                | 2          |



电器系统总成 I  
Electrical System Assy I



续图. 电器系统总成 I  
 Cont. Electrical System Assy I

电器系统总成 I

Electrical System Assembly I

| 序号<br>Ser. No. | 代 号<br>Part No. | 名 称      | Name                    | 数量<br>Qty. |
|----------------|-----------------|----------|-------------------------|------------|
| 1              | C502-Q280       | 喇叭       | Horn                    | 1          |
| 2              | GB/T93          | 垫圈12     | Washer 12               | 3          |
| 3              | GB/T97.1        | 垫圈12     | Washer 12               | 3          |
| 4              | C201-016        | 组合前大灯    | Front right             | 1          |
| 5              | C702-BX-410     | 保险丝盒     | Fuse box                | 1          |
| 6              | 250.48.035-3    | 保险丝盒支架   | Bracket                 | 1          |
| 7              | C402-008        | 制动灯开关    | Switch for brake light  | 1          |
| 8              | C501-001        | 电压调节器    | Regulator               | 1          |
| 9              | C503-SG123      | 电子闪光器    | Flasher                 | 1          |
| 10             | C502-J2         | 喇叭继电器    | Horn relay              | 1          |
| 11             | C107-30A        | 电流表      | Electric current meter  | 1          |
| 12             | C101-002        | 水温表      | Water temperature meter | 1          |
| 13             | C103-001        | 油压表      | Oil press meter         | 1          |
| 14             | C104            | 气压表      | Gas press meter         | 1          |
| 15             | GB/T6170        | 螺母M12    | Nut M12                 | 1          |
| 16             | C202-004        | 后组合灯     | Rear light              | 1          |
| 17             | C402-010        | 转向灯开关    | Veer light switch       | 1          |
| 18             | C210-010        | 前大灯灯泡    | Front bulb              | 2          |
| 19             | C402-002 *      | 前大灯近远光开关 | Front light switch      | 1          |
| 20             | 300.48D.025     | 主线束      | Main harness            | 1          |
| 21             | C210-015        | 三色灯灯泡    | Double light bulb       | 2          |
| 22             | C304-003        | 转速表感应塞   | Speed sensor            | 1          |



## 续. 电器系统总成 I

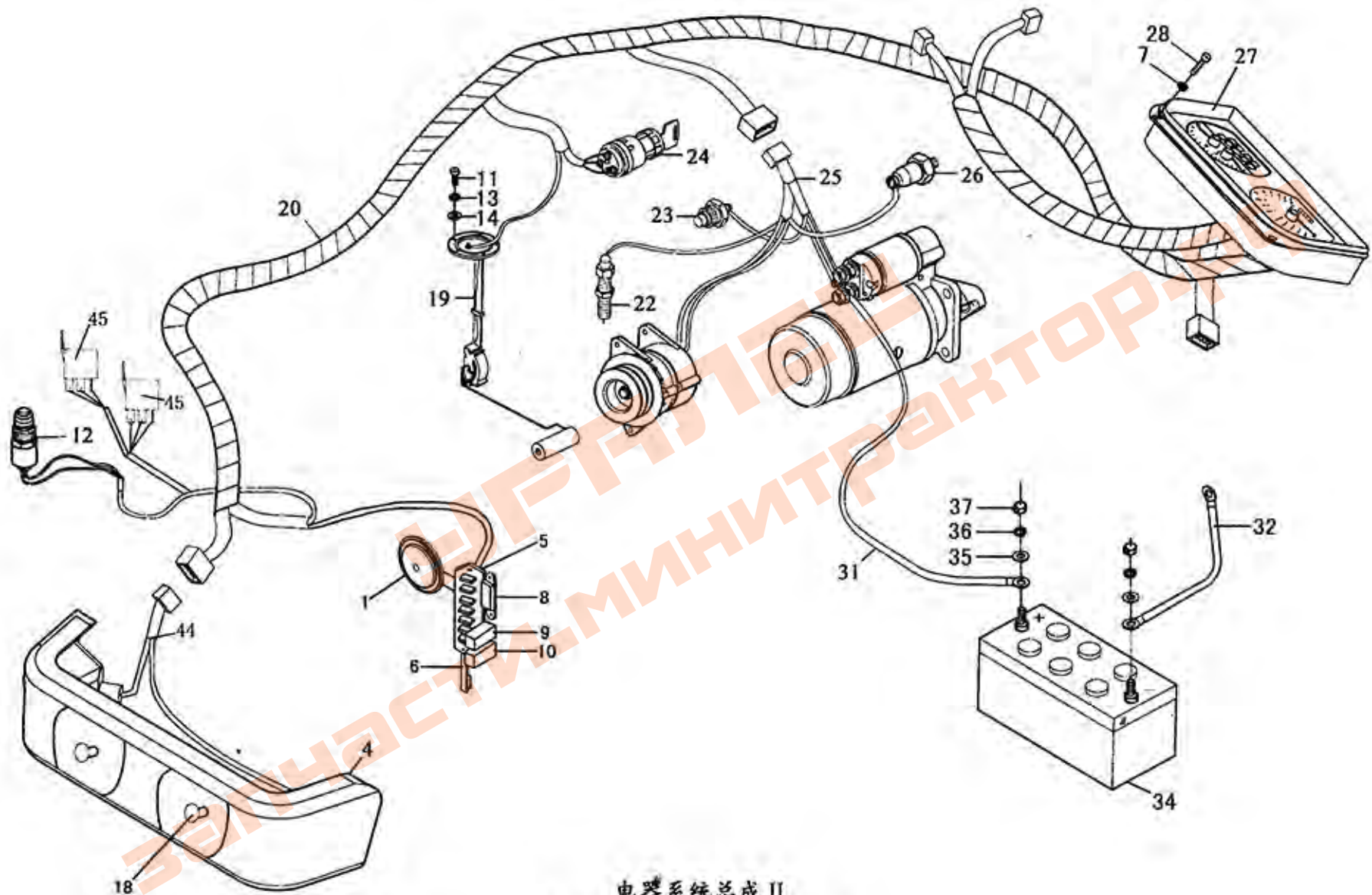
## Cont. Electrical System Assembly I

| 序号<br>Ser. No. | 代号<br>Part No. | 名称              | Name                                 | 数量<br>Qty. |
|----------------|----------------|-----------------|--------------------------------------|------------|
| 22             | C304-003       | 转速表感应塞          | Speed sensor                         | 1          |
| 23             | C301-003       | 水温传感器           | Water temperature sensor             | 1          |
| 24             | C402-003       | 预热启动开关          | Preheat starting switch              | 1          |
| 25             | 300.48.062     | 柴油机线束           | Diesel engine harness                | 1          |
| 26             | C303-002       | 油压传感器           | Oil pressure plug                    | 1          |
| 27             | C107-30A1      | 电流表             | Electric current meter               | 1          |
| 28             | C101-002I      | 水温表             | Water temperature meter              | 1          |
| 29             | C203-002       | 后工作灯总成          | Tail lamp                            | 1          |
| 30             | 180.48D.039    | 5-2联开关(单)       | Left 5-function switch               | 1          |
| 31             | 180.48.027-3   | 蓄电池至起动机电缆(长910) | Cable, from battery to starter       | 1          |
| 32             | 180.48.028     | 搭铁线总成(长270)     | Earth cable, battery                 | 1          |
| 33             | 180.48D.040    | 5-2联开关(双)       | Right 2-function switch              | 1          |
| 34             | C603-6QW-90A11 | 蓄电池总成           | Battery                              | 1          |
| 35             | GB/T97.1       | 垫圈8             | Washer 8                             | 2          |
| 36             | GB/T93         | 垫圈8             | Washer 8                             | 2          |
| 37             | GB/T6170       | 螺母M8            | Nut M8                               | 2          |
| 38             | C104           | 气压表             | Gas press meter                      | 1          |
| 39             | C210-018       | 制动灯灯泡           | Brake light bulb                     | 2          |
| 40             | C208-002       | 警示灯(选项)         | Warning (option)                     | 2          |
| 41             | C402-007       | 离合器连锁开关(中立开关)   | Clutch chain switch (neutral switch) | 1          |
| 42             | 300.48.063E    | 前大灯线束(单灯丝)      | Headlamp harness                     | 1          |
|                | 300.48.063A    | 前大灯线束(双灯丝)      | Headlamp harness                     | 1          |
| 43             | 300.48.064     | 左护板线束           | Left apron harness                   | 1          |

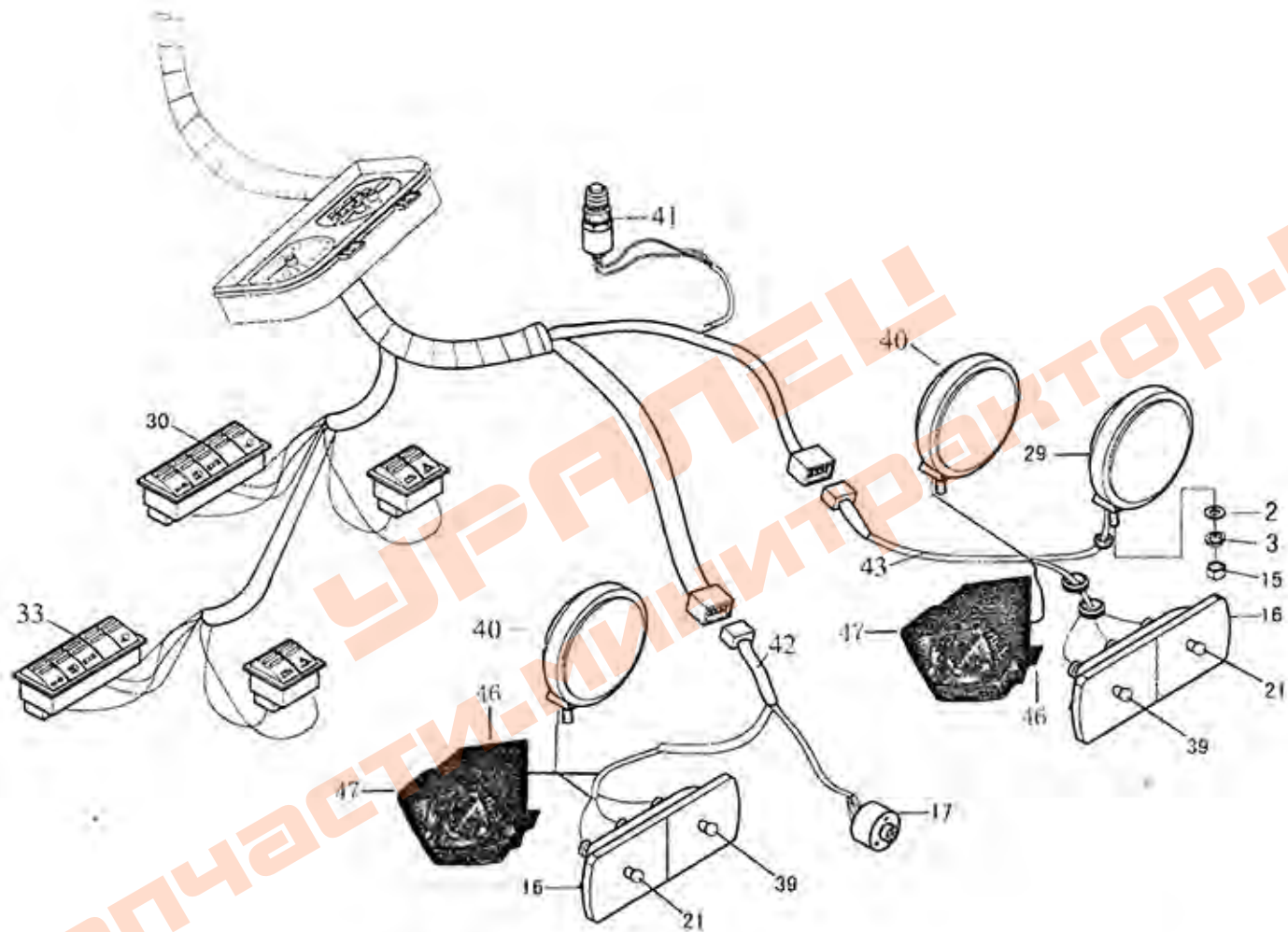
## 续. 电器系统总成 I

## Cont. Electrical System Assembly I

| 序号<br>Ser. No. | 代 号<br>Part No. | 名 称<br>Name                         | 数 量<br>Qty. |
|----------------|-----------------|-------------------------------------|-------------|
| 44             | 300.48.065      | 右护板线束<br>Right apron harness        | 1           |
| 45             | 250.48.233      | 前大灯支架<br>Bracket of teposition lamp | 2           |
| 46             | C202-009        | 前大灯<br>teposition lamp              | 2           |



电器系统总成 II  
Electrical System Assy II



续图. 电器系统总成 II  
 Cont. Electrical System Assy II

电器系统总成II

Electrical System Assembly II

| 序号<br>Ser. No. | 代 号<br>Part No. | 名 称      | Name                    | 数量<br>Qty. |
|----------------|-----------------|----------|-------------------------|------------|
| 1              | C502-Q280       | 喇叭       | Horn                    | 1          |
| 2              | GB/T93          | 垫圈12     | Washer 12               | 3          |
| 3              | GB/T97.1        | 垫圈12     | Washer 12               | 3          |
| 4              | C201-016        | 组合前大灯    | Front right             | 1          |
| 5              | C702-BX-410     | 保险丝盒     | Fuse box                | 1          |
| 6              | 250.48.035-3    | 保险丝盒支架   | Bracket                 | 1          |
| 7              | C402-008        | 制动灯开关    | Switch for brake light  | 1          |
| 8              | C501-001        | 电压调节器    | Regulator               | 1          |
| 9              | C503-SG123      | 电子闪光器    | Flasher                 | 1          |
| 10             | C502-J2         | 喇叭继电器    | Horn relay              | 1          |
| 11             | C107-30A        | 电流表      | Electric current meter  | 1          |
| 12             | C101-002        | 水温表      | Water temperature meter | 1          |
| 13             | C103-001        | 油压表      | Oil press meter         | 1          |
| 14             | C104            | 气压表      | Gas press meter         | 1          |
| 15             | GB/T6170        | 螺母M12    | Nut M12                 | 1          |
| 16             | C202-004        | 后组合灯     | Rear light              | 1          |
| 17             | C402-010        | 转向灯开关    | Veer light switch       | 1          |
| 18             | C210-010        | 前大灯灯泡    | Front bulb              | 2          |
| 19             | C402-002        | 前大灯近远光开关 | Front light switch      | 1          |
| 20             | 300.48D.025     | 主线束      | Main harness            | 1          |
| 21             | C210-015        | 三色灯灯泡    | Double light bulb       | 2          |
| 22             | C304-003        | 转速表感应塞   | Speed sensor            | 1          |

## 续. 电器系统总成II

## Cont. Electrical System Assembly II

| 序号<br>Ser. No. | 代号<br>Part No. | 名称              | Name                                 | 数量<br>Qty. |
|----------------|----------------|-----------------|--------------------------------------|------------|
| 22             | C304-003       | 转速表感应塞          | Speed sensor                         | 1          |
| 23             | C301-003       | 水温传感器           | Water temperature sensor             | 1          |
| 24             | C402-003       | 预热启动开关          | Preheat starting switch              | 1          |
| 25             | 300.48.062     | 柴油机线束           | Diesel engine harness                | 1          |
| 26             | C303-002       | 油压传感器           | Oil pressure plug                    | 1          |
| 27             | C110-015       | 组合仪表总成          | Gauge unit assembly                  | 1          |
| 28             | GB/T818        | 螺栓M6×20         | Bolt M6×20                           | 6          |
| 29             | C203-002       | 后工作灯总成          | Tail lamp                            | 1          |
| 30             | 180.48D.039    | 5+2联开关(单)       | Left 5-function switch               | 1          |
| 31             | 180.48.027-3   | 蓄电池至起动机电缆(长910) | Cable, from battery to starter       | 1          |
| 32             | 180.48.028     | 搭铁线总成(长270)     | Earth cable, battery                 | 1          |
| 33             | 180.48D.040    | 5+2联开关(双)       | Right 2-function switch              | 1          |
| 34             | C603-6QW-90A11 | 蓄电池总成           | Battery                              | 1          |
| 35             | GB/T97.1       | 垫圈8             | Washer 8                             | 2          |
| 36             | GB/T93         | 垫圈8             | Washer 8                             | 2          |
| 37             | GB/T6170       | 螺母M8            | Nut M8                               | 2          |
| 38             | C402-007       | 中立开关            | Neutrally switch                     | 1          |
| 39             | C210-018       | 制动灯灯泡           | Brake light bulb                     | 2          |
| 40             | C208-002       | 警示灯(选项)         | Warning (option)                     | 2          |
| 41             | C402-007       | 离合器连锁开关(中立开关)   | Clutch chain switch (neutral switch) | 1          |
| 42             | 300.48.064     | 左护板线束           | Left apron harness                   | 1          |
| 43             | 300.48.065     | 右护板线束           | Right apron harness                  | 1          |

| 序号<br>Ser. No. | 代号<br>Part No. | 名称         | Name                       | 数量<br>Qty. |
|----------------|----------------|------------|----------------------------|------------|
| 44             | 300.48.063E    | 前大灯线束(单灯丝) | Headlamp harness           | 1          |
|                | 300.48.063A    | 前大灯线束(双灯丝) | Headlamp harness           | 1          |
| 45             | C502-001       | 继电器 (选项)   | relay                      | 2          |
| 46             | 250.48.233     | 前大灯支架      | Bracket of teposition lamp | 2          |
| 47             | C202-009       | 前大灯        | teposition lamp            | 2          |