

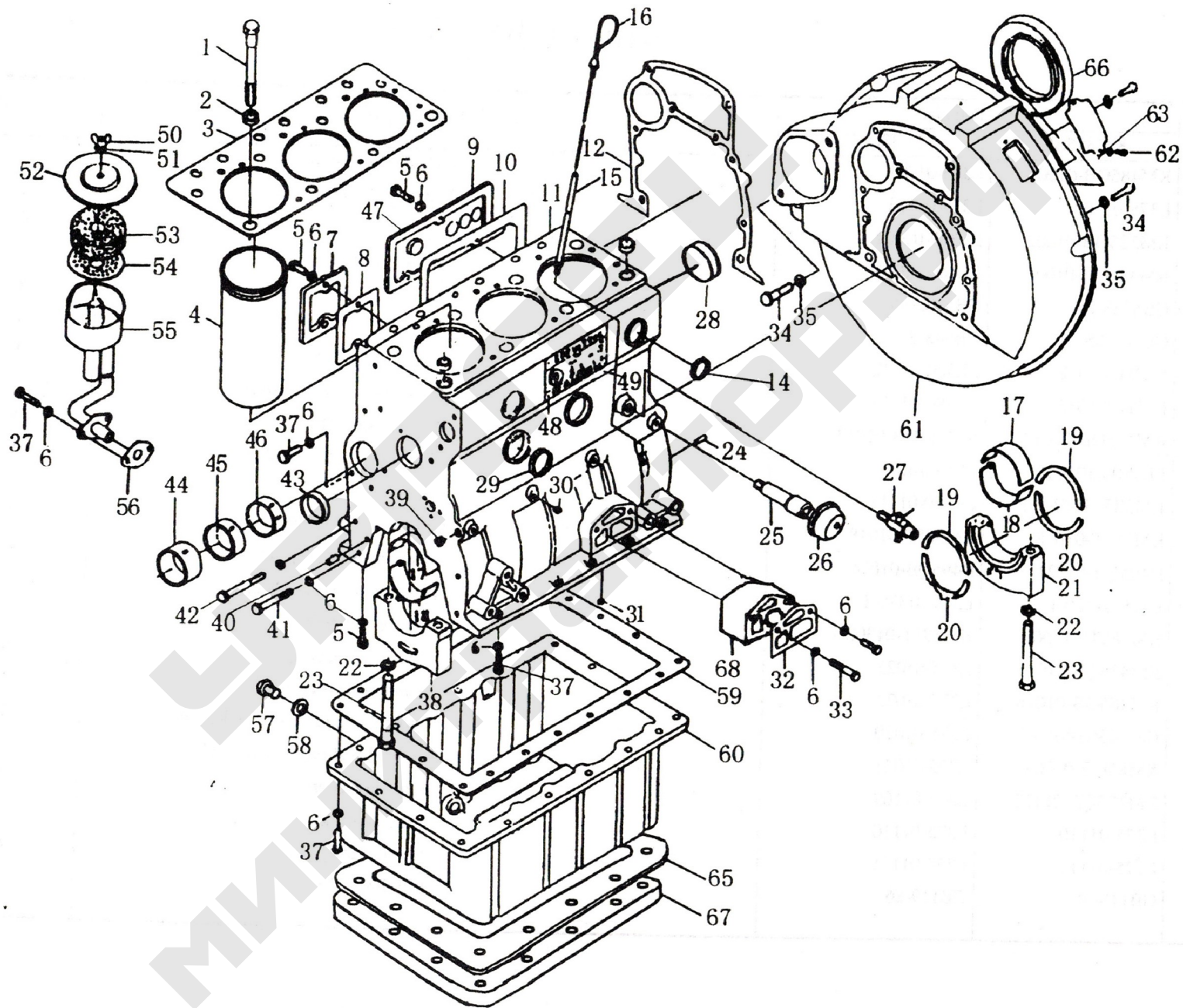


KM385BT/LL380BT

DIESEL ENGINE PARTS CATALOGUE

SHANDONG HUAYUAN LAIDONG CO.,LTD.

Cylinder Block Assy



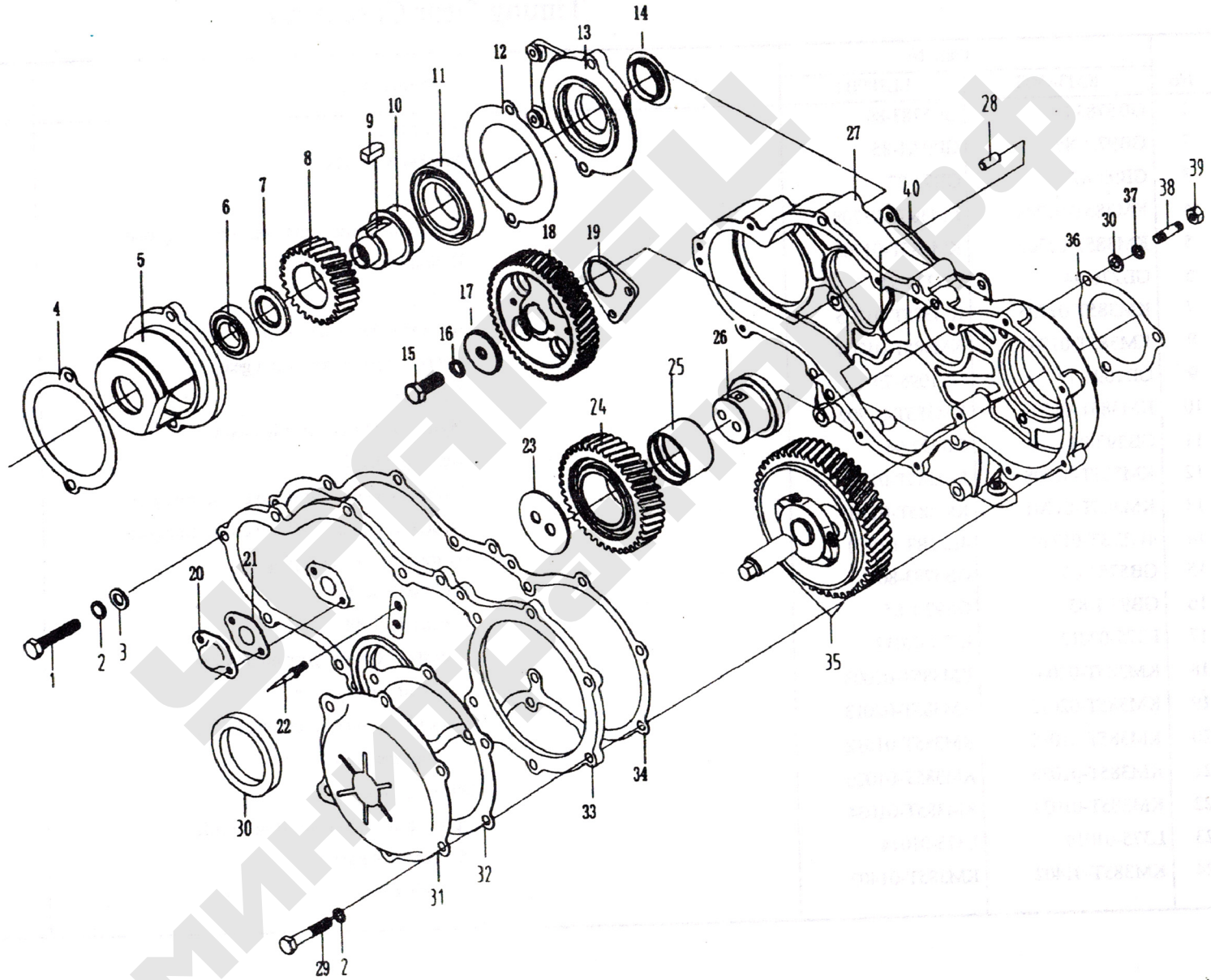
Cylinder Block Assy

| No | Parts No | | Name of Parts | Qty |
|----|---------------|---------------|----------------------------------|-----|
| | KM385BT | LL380BT | | |
| 1 | KM485QB-01005 | L375-01004 | Cylinder head stud | 8 |
| 2 | L375-01103 | L375-01103 | Locating sleeve | 2 |
| 3 | KM385QB-01002 | LL380-01002 | Cylinder head gasket | 1 |
| 4 | KM485QB-01003 | LL480-01003 | Cylinder liner | 3 |
| 5 | GB5783-86 | GB5783-86 | BoltM8 × 20 | 1 |
| 6 | GB848-85 | GB848-85 | Washer 8 | 7 |
| 7 | LL380-01012 | LL380-01012 | Side cover (I) | 1 |
| 8 | LL380-01015 | LL380-01015 | Side cover (I) gasket | 1 |
| 9 | KM485QB-01013 | KM485QB-01013 | Side cover (II) | 1 |
| 10 | LL480-01014 | LL480-01014 | Side cover (II) gasket | 1 |
| 11 | KM385QB-01111 | LL380-01111 | Cylinder block | 1 |
| 12 | KM385T-01018 | KM385T-01018 | Gasket of flying wheel cover | 1 |
| 14 | D495QB-01024 | D495QB-01024 | Bowl shape plug φ 32 | 4 |
| 15 | L375-01320-1 | L375-01320-1 | Dipstick sleeve weldment | 1 |
| 16 | KM385T-01300 | KM385T-01300 | Oil level dipstick | 1 |
| 17 | KM485QB-01015 | L375-01022 | Upper main bearing | 4 |
| 18 | KM485QB-01016 | L375-01023 | Lower main bearing | 4 |
| 19 | KM485QB-01007 | L375-01020 | Upper thrust piece of crankshaft | 2 |
| 20 | KM85QB-01008 | L375-01021 | Lower thrust piece of crankshaft | 2 |
| 21 | KM485QB-01112 | L375-01109 | Rear main bearing cap | 1 |
| 22 | L375-01110 | L375-01110 | Main bearing bolt washer | 8 |
| 23 | L375-01111 | L375-01111 | Main bearing bolt | 8 |
| 24 | GB119-86 | GB119-86 | Pin B8 × 18 | 1 |

| No | Parts No | | Name of Parts | Qty |
|----|---------------|--------------|--|-----|
| | KM385BT | LL380BT | | |
| 25 | KM385T-01035 | KM385T-01035 | Connecting joint for oil pressure sensor | 1 |
| 26 | L375-12500 | L375-12500 | Oil pressure sensor | 1 |
| 27 | | | Water drain cock | 1 |
| 28 | D495QB-01021 | D495QB-01021 | Bowl shape plug ϕ 28 | 1 |
| 29 | D495QB-01014 | L375-01102 | Bowl shape plug ϕ 51 | 2 |
| 30 | L375-01103 | L375-01103 | Oil route plug | 2 |
| 31 | L375-01115 | L375-01115 | Bowl shape plug ϕ 10 | 1 |
| 32 | L375-01027 | L375-01027 | Oil filter gasket | 2 |
| 33 | GB5783-86 | GB5783-86 | BoltM8 \times 60 | 2 |
| 34 | GB5783-86 | GB5783-86 | BoltM10 \times 30 | 2 |
| 35 | GB848-85 | GB848-85 | Washer 10-100HV | 2 |
| 37 | GB5783-86 | GB5783-86 | Bolt M8 \times 18 | 24 |
| 38 | KM485QB-01112 | L375-01108 | Main bearing cap | 3 |
| 39 | L375-01104 | L375-01104 | Plug | 2 |
| 40 | GB91-86 | GB91-86 | Pin2 \times 12 | 1 |
| 41 | GB5783-86 | GB5783-86 | BoltM8 \times 55 | 4 |
| 42 | GB5783-86 | GB5783-86 | BoltM8 \times 45 | 4 |
| 43 | D495QB-03105 | D495QB-01014 | Bowl shape plug ϕ 42 | 2 |
| 44 | L375-01112 | L375-01112 | Front bush of camshaft | 1 |
| 45 | L375-01113 | L375-01113 | Middle bush of camshaft | 1 |
| 46 | KM485QB-01114 | L375-01114 | Rear bush of camshaft | 1 |

| No | Parts No | | Name of Parts | Qty |
|----|---------------|---------------|---------------------------|-----|
| | KM385BT | LL380BT | | |
| 47 | KM485QB-01101 | D495QB-03019 | Bowl shape plug ϕ 20 | 3 |
| 48 | GB873-86 | GB873-86 | Rivet 2 x 5 | 4 |
| 49 | L375-03302-3 | L375-03302-3 | Brand mark | 1 |
| 50 | GB62-88 | GB62-88 | Butterfly nutM6 | 1 |
| 51 | GB848-85 | GB848-85 | Washer6 -100HV | 1 |
| 52 | D495QB-012104 | D495QB-012104 | Respirator cover | 1 |
| 53 | LL380-01203 | LL380-01203 | Net | 1 |
| 54 | KM485QB-01211 | KM485QB-01211 | Air tube | 1 |
| 55 | D495QB-01212 | D495QB-01212 | Respirator | 1 |
| 56 | KM485QB-01011 | KM485QB-01011 | gasket | 1 |
| 57 | LL380-01501 | LL380-01501 | Oil drain bolt | 1 |
| 58 | LL380-01503 | LL380-01503 | A type washer ϕ 14 | 1 |
| 59 | KM385T-01019 | KM385T-01019 | Oil pan gasket | 1 |
| 60 | KM385T-015101 | KM385T-015101 | Oil pan | 1 |
| 61 | KM385T-01010 | KM385T-01010 | Flywheel housing | 1 |
| 62 | GB67-85 | GB67-85 | Bolt M6 x 12 | 2 |
| 63 | GB97.1-85 | GB97.1-85 | Washer 6 | 2 |
| 64 | LL480-01025 | LL480-01025 | Cover plate | 1 |
| 65 | KM385T-015111 | KM385T-015111 | Oil pan cover gasket | 1 |
| 66 | JB2600-80 | JB2600-80 | Cased rubber oil seal | 1 |
| 67 | KM385T-015104 | KM385T-015104 | Oil pan cover | 1 |
| 68 | KM385T-01027 | KM385T-01027 | Oil filter padding block | 1 |

Timing Gear Case Assy

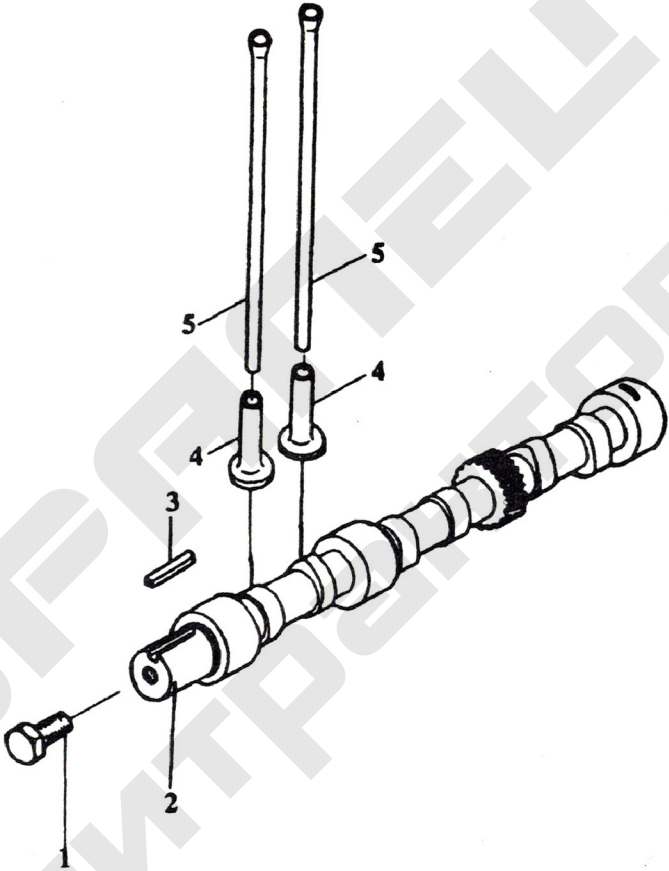


Timing Gear Case Assy

| No | Parts No | | Name of Parts | Qty |
|----|--------------|--------------|--|-----|
| | KM385BT | LL380BT | | |
| 1 | GB5783-86 | GB5783-86 | Bolt M8 × 30 | 1 |
| 2 | GB97.1-85 | GB97.1-85 | Washer 8-100HV | 2 |
| 3 | GB93-87 | GB93-87 | Washer 8 | 1 |
| 4 | KM385T-01708 | KM385T-01708 | Hydraulic pump transition connecting plate | 1 |
| 5 | KM385T-01703 | KM385T-01703 | Hydraulic pump | 1 |
| 6 | GB276-94 | GB276-94 | Bearing | 1 |
| 7 | KM385T-01705 | KM385T-01705 | Bearing holddown circlip | 1 |
| 8 | KM385T-01704 | KM385T-01704 | Hydraulic pump transition gear | 1 |
| 9 | GB1096-79 | GB1096-79 | Key C10 × 22 | 1 |
| 10 | KM385T-01702 | KM385T-01702 | Hydraulic pump transition axle | 1 |
| 11 | GB292-94 | GB292-94 | Bearing 7008C | 1 |
| 12 | KM385T-01708 | KM385T-01708 | Hydraulic pump transition connecting plat | 1 |
| 13 | KM385T-01701 | KM385T-01701 | Hydraulic pump transition connecting plate | 1 |
| 14 | 4L22BT-01710 | 4L22BT-01710 | Hydraulic pump port plug | 1 |
| 15 | GB5783-86 | GB5783-86 | Bolt M12 × 35 | 1 |
| 16 | GB97.1-85 | GB97.1-85 | Washer 12-100HV | 1 |
| 17 | L375-02012 | L375-02012 | Camshaft timing gear holddown | 1 |
| 18 | KM385T-02003 | KM385T-02003 | Camshaft timing gear | 1 |
| 19 | KM385T-02013 | KM385T-02013 | Camshaft timing gear block ring | 1 |
| 20 | KM385T-01012 | KM385T-01012 | Timing gear case cover | 1 |
| 21 | KM385T-01026 | KM385T-01026 | Sensor gasket | 1 |
| 22 | KM385T-01034 | KM385T-01034 | Upper death point showing needle | 1 |
| 23 | L375-01014 | L375-01014 | Idle gear holddown | 1 |
| 24 | KM385T-01402 | KM385T-01402 | Idle gear | 1 |

| No | Parts No | | Name of Parts | Qty |
|----|--------------|----------------|----------------------------------|-----|
| | KM385BT | LL380BT | | |
| 25 | KM385T-01401 | KM385T-01401 | Idle gear bushing | 1 |
| 26 | KM385T-01038 | KM385T-01038 | Idle gear axle | 1 |
| 27 | KM385T-01007 | KM385T-01007-1 | Timing gear case | 1 |
| 28 | GB119-86 | GB119-86 | Pin8 | 1 |
| 29 | GB5782-86 | GB5782-86 | Bolt M8 × 55 | 1 |
| 30 | JB2600-80 | JB2600-80 | Cased rubber oil seal | 1 |
| 31 | L375-01025-1 | L375-01025-1 | Gear case front cover | 1 |
| 32 | L375-01030 | L375-01030 | Gear case front cover gasket | 1 |
| 33 | KM385T-01015 | KM385T-01015 | Timing gear case cover | 1 |
| 34 | KM385T-01009 | KM385T-01009 | Gasket of gear case cover gasket | 1 |
| 35 | LL480B-10900 | LL480B-10900 | Oil injection advacer assy | 1 |
| 36 | L375-01010 | L375-01010 | Fuel pump fasten gasket | 1 |
| 37 | GB93-87 | GB93-87 | Washer 8 | 1 |
| 38 | GB898-88 | GB898-88 | Stud M8 × 20 | 1 |
| 39 | GB6170-86 | GB6170-86 | Nut M8 | 1 |
| 40 | L375-01007 | L375-01007 | Gear case gasket | 1 |

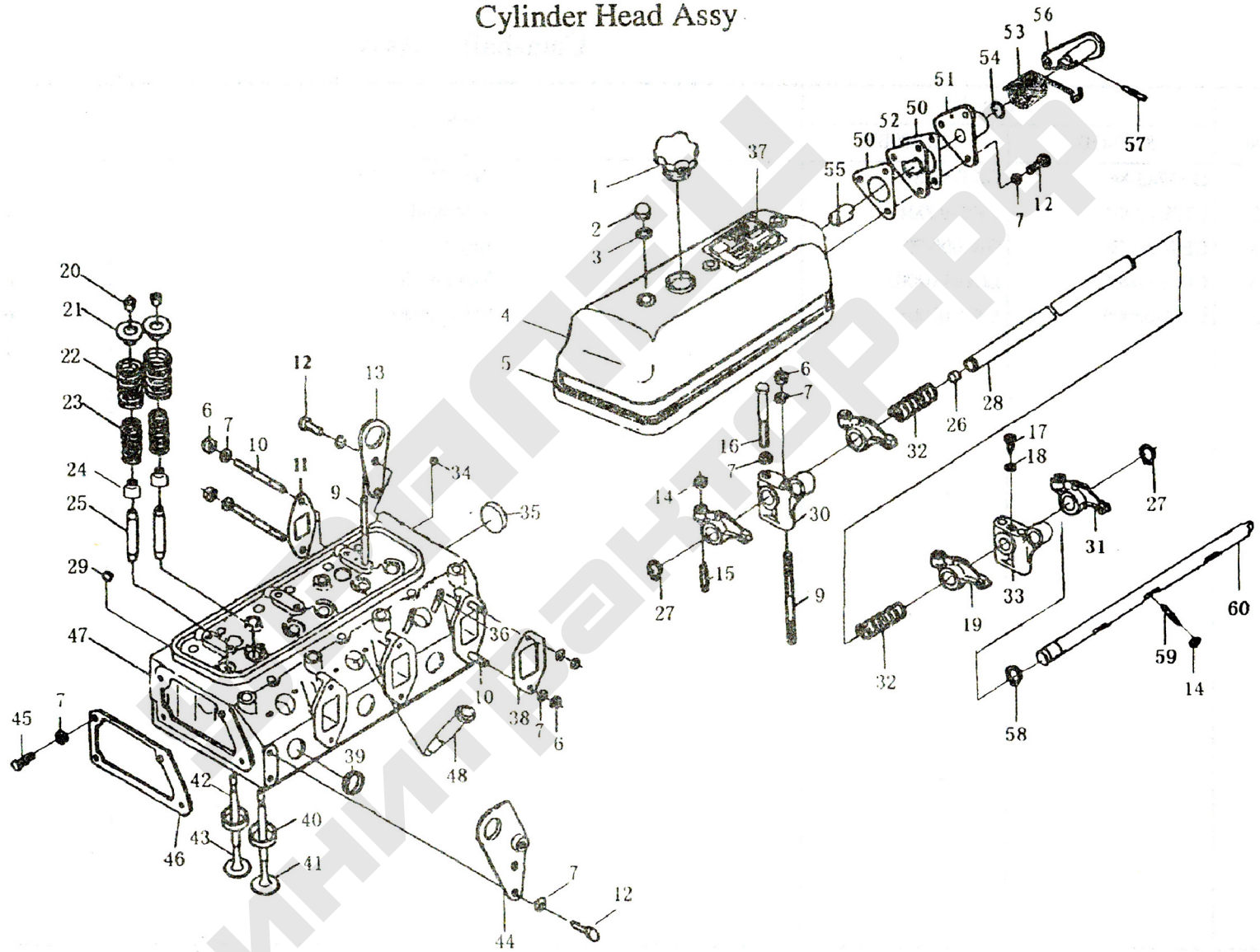
Camshaft Assy



Camshaft Assy

| No | Parts No | | Name of Parts | Qty |
|----|-------------|-------------|----------------|-----|
| | KM385BT | LL380BT | | |
| 1 | GB5783-86 | GB5783-86 | Bolt M12 × 35 | 1 |
| 2 | L375-02001 | L375-02001 | Camshaft | 1 |
| 3 | GB1096-79 | GB1096-79 | Key C8 × 18 | 1 |
| 4 | LL480-02003 | LL480-02003 | Valve push rod | 6 |
| 5 | L375-02005 | L375-02005 | Valve tappet | 6 |
| | | | | 1 |

Cylinder Head Assy



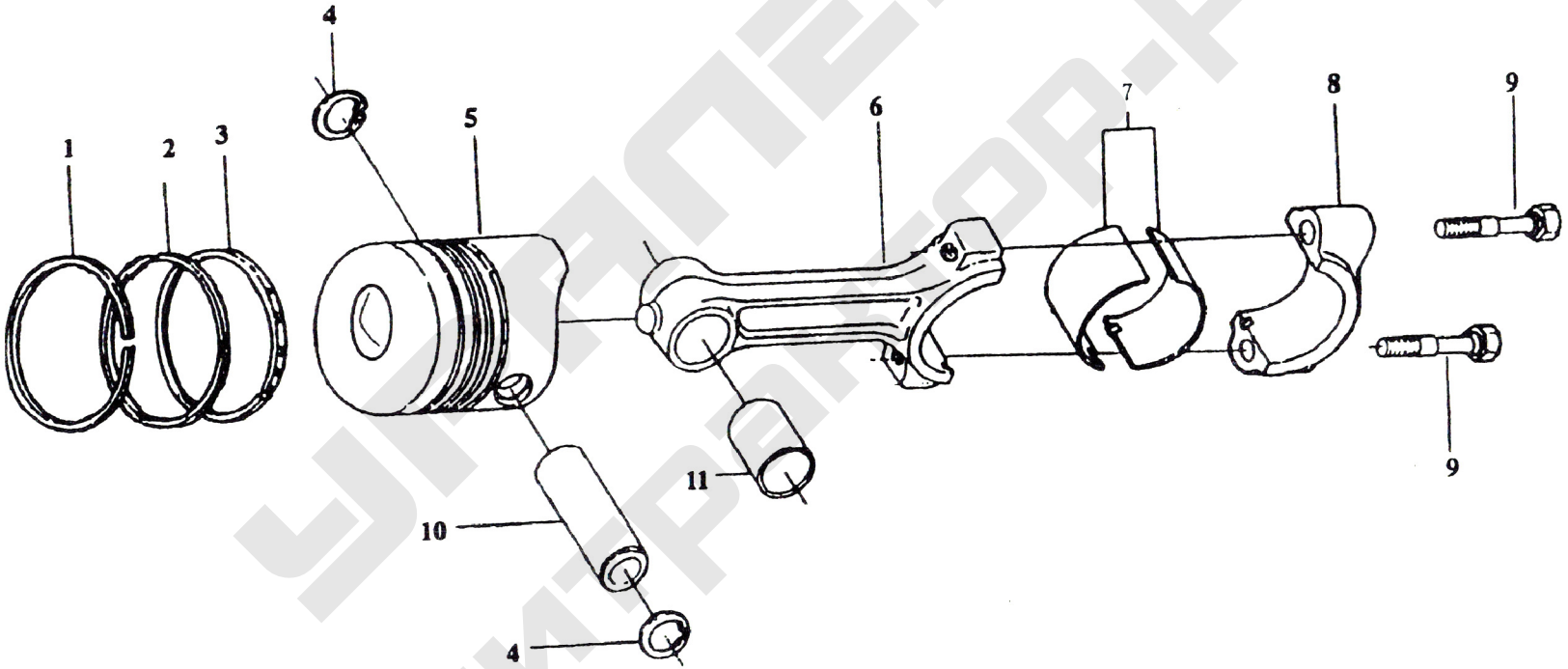
Cylinder Head Assy

| No | Parts No | | Name of Parts | Qty |
|----|-----------------|-----------------|---------------------------------|-----|
| | KM385BT | LL380BT | | |
| 1 | L375-03005 | L375-03005 | Oil filler cap | 1 |
| 2 | GB923-88 | GB923-88 | Cap nut | 3 |
| 3 | L375-03017 | L375-03017 | Washer ϕ 8 | 3 |
| 4 | KM385BT-03301 | KM385BT-03301 | Cylinder head cap | 1 |
| 5 | LL380B-03002 | LL380B-03002 | Cylinder head cap gasket | 1 |
| 6 | GB6170-86 | GB6170-86 | Nut M 8 | 21 |
| 7 | GB97.1-86 | GB93-87 | Washer 8 -100HV | 32 |
| 8 | GB93-87 | GB97.1-86 | Washer 8 | 6 |
| 9 | KM385BT-03001 | KM385BT-03001 | Rockshaft seat fasten bolt | 1 |
| 9 | KM385BT-03001-1 | KM385BT-03001-1 | Rockshaft seat fasten bolt | 2 |
| 10 | GB898-88 | GB898-88 | Bolt M8 \times 25 | 12 |
| 11 | KM485QB-03006 | KM485QB-03006 | Exhaust pipe gasket | 3 |
| 12 | GB5783-86 | GB5783-86 | Bolt M8 \times 25 | 4 |
| 13 | L375-03012 | L375-03012 | Rear hoisting ring | 1 |
| 14 | GB6171-86 | GB6171-86 | Nut M 8 | 6 |
| 15 | LL480B-03201 | LL480B-03201 | Valve clearance adjusting screw | 6 |
| 16 | GB5781-86 | GB5781-86 | Bolt M8 \times 60 | 3 |
| 17 | L375-03206 | L375-03206 | Rockshaft locating screw | 1 |
| 18 | GB848-85 | GB848-85 | Washer 6 | 1 |
| 19 | LL480B-03210 | LL480B-03210 | Rocker | 3 |
| 20 | LL480B-03008 | LL480B-03008 | Valve collet | 12 |
| 21 | LL480B-03009 | LL480B-03009 | Valve spring upper seat | 6 |
| 22 | L375-03015 | L375-03015 | Valve outer spring | 6 |
| 23 | L375-03007 | L375-03007 | Valve inner spring | 6 |
| 24 | LL480B-03019 | LL480B-03019 | Valve seal | 6 |

| No | Parts No | | Name of Parts | Qty |
|----|---------------|---------------|----------------------------|-----|
| | KM385BT | LL380BT | | |
| 25 | KM485QB-03012 | KM485QB-03012 | Valve stem guide | 6 |
| 26 | L375-01115 | L375-01115 | Bowl shape plug ϕ 10 | 2 |
| 27 | GB894.1-86 | GB894.1-86 | Ring 16 | 2 |
| 28 | L375-03205 | L375-03205 | Rockershaft | 1 |
| 29 | L375-03107 | L375-03107 | Bowl shape plug ϕ 8.3 | 3 |
| 30 | KM385BT-03202 | KM385BT-03202 | Rockershaft rear seat | 2 |
| 31 | KM385BT-03220 | KM385BT-03220 | Intake valve R ocker | 3 |
| 32 | L375-03204 | L375-03204 | Rockershaft spring | 2 |
| 33 | KM385BT-03207 | KM385T-03207 | Rockershaft rear seat | 1 |
| 34 | D495QB-03110 | D495QB-03110 | Oil route plug ϕ 6 | 1 |
| 35 | D495QB-01024 | D495QB-01024 | Bowl shape plug | 1 |
| 36 | GB898-88 | GB898-88 | StudM8 \times 6 0 | 6 |
| 37 | L375-03302-3 | L375-03302-3 | Brand mark | 1 |
| 38 | LL480B-03013 | LL480B-03013 | Intake manifold gasket | 3 |
| 39 | L375-03106 | L375-03106 | Bowl shape plug | 5 |
| 40 | LL480B-03103 | LL480B-03103 | Intake valve seat | 3 |
| 41 | LL480B-03005 | LL480B-03005 | Intake valve | 3 |
| 42 | LL480B-03104 | LL480B-03104 | Exhaust valve seat | 3 |
| 43 | LL480B-03004 | LL480B-03004 | Exhaust valve | 3 |
| 44 | L375-03011-1 | L375-03011-1 | Hoisting ring | 1 |
| 45 | GB5783-86 | GB5783-86 | Bolt M8 \times 25 | 4 |
| 46 | L375-03010 | L375-03010 | Thermstat housing gasket | 2 |
| 47 | KM385QB-03101 | LL380B-03101 | Cylinder head | 1 |
| 48 | LL480B-03111 | LL480B-03111 | Nozzle bushing | 3 |

| No | Parts No | | Name of Parts | Qty |
|----|---------------|---------------|--------------------------------------|-----|
| | KM385BT | LL380BT | | |
| 50 | KM385BT-03401 | M385BT-03401 | Gasket | 2 |
| 51 | KM385BT-03402 | KM385BT-03402 | Pressure reduction handle shaft bush | 1 |
| 52 | KM385BT-03407 | KM385BT-03407 | Locating board | 1 |
| 53 | KM385BT-03403 | KM385BT-03403 | Pressure reduction spring | 1 |
| 54 | GB3452.1-1992 | GB3452.1-1992 | O- ring 13.2 × 2.6 | 1 |
| 55 | KM385BT-03406 | KM385BT-03406 | Cross connection shaft | 1 |
| 56 | KM385BT-03410 | KM385BT-03410 | Pressure reduction handle weldment | 1 |
| 57 | GB119-86 | GB119-86 | PinB3 × 26 | 1 |
| 58 | GB894.1-86 | GB894.1-86 | Circlip 15 | 2 |
| 59 | KM385BT-03404 | KM385BT-03404 | Adjust bolt for pressure reduction | 1 |
| 60 | KM385BT-03405 | KM385BT-03405 | Pressure reduction shaft | 1 |

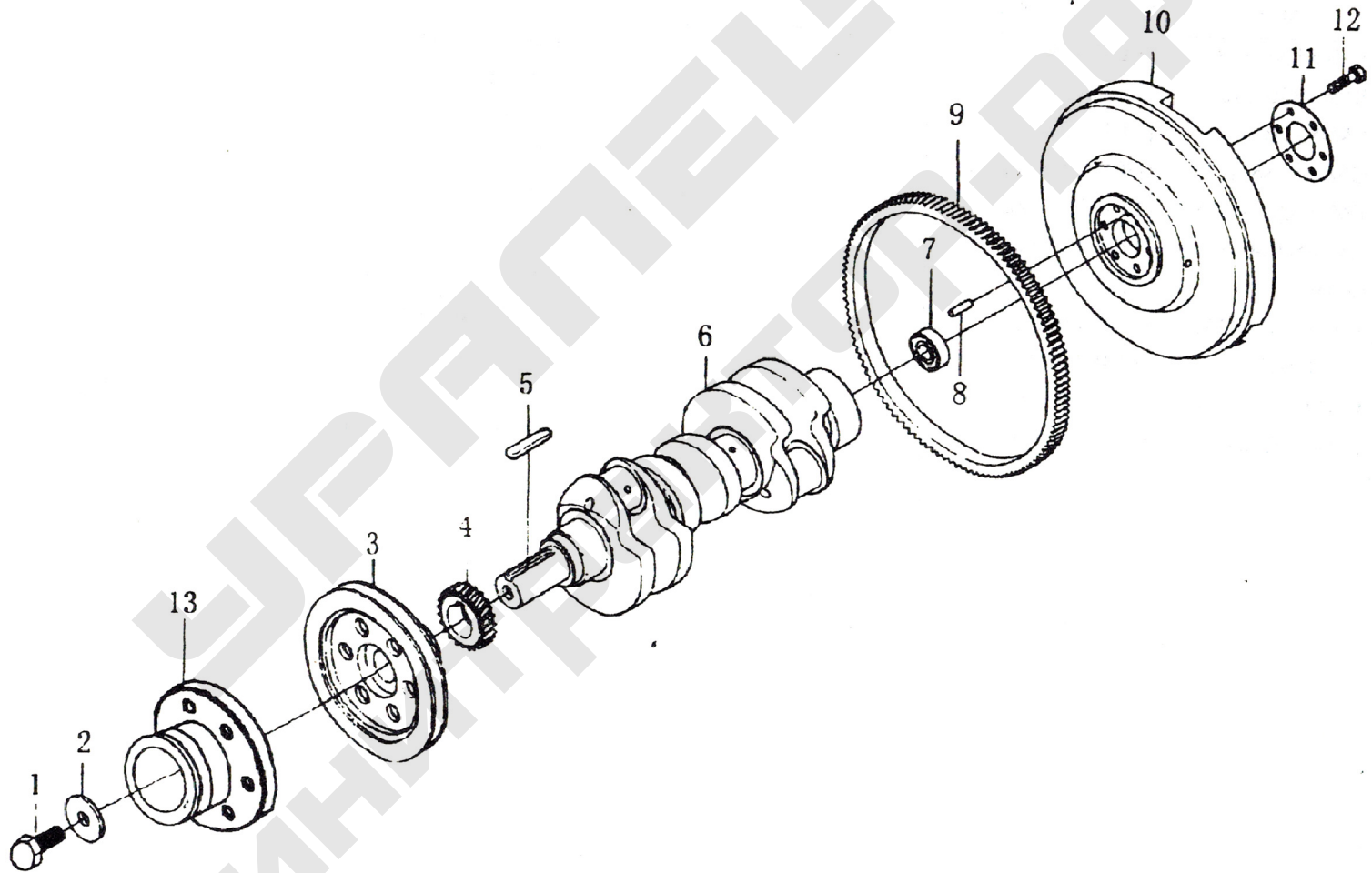
Piston-connecting Rod Assy



Piston-connecting Rod Assy

| No | Parts No | | Name of Parts | Qty |
|----|----------------------|----------------------|------------------------|-----|
| | KM385BT | LL380BT | | |
| 1 | KM485QB-04001 | LL480-04001 | 1st compression ring | 1 |
| 2 | KM485QB-04002 | LL480-04002 | 2nd compression ring | 1 |
| 3 | KM485QB-04100 | LL480-04100 | Oil scraper ring | 1 |
| 4 | GB893.1-86 ϕ 28 | GB893.1-86 ϕ 26 | Circlip | 2 |
| 5 | KM485QB-04005 | LL480B-04005 | Piston | 1 |
| 6 | KM485QB-04202 | LL480-04202 | Connecting rod | 1 |
| 7 | LL480-04003 | LL480-04003 | Connecting rod bearing | 2 |
| 8 | KM485QB-04203 | LL480-04203 | Connecting rod cover | 1 |
| 9 | LL480-04204 | LL480-04204 | Connecting rod bolt | 2 |
| 10 | KM485QB-04004 | LL480-04004 | Piston pin | 1 |
| 11 | KM485QB-04201 | LL480-04201 | Connecting rod bushing | 1 |

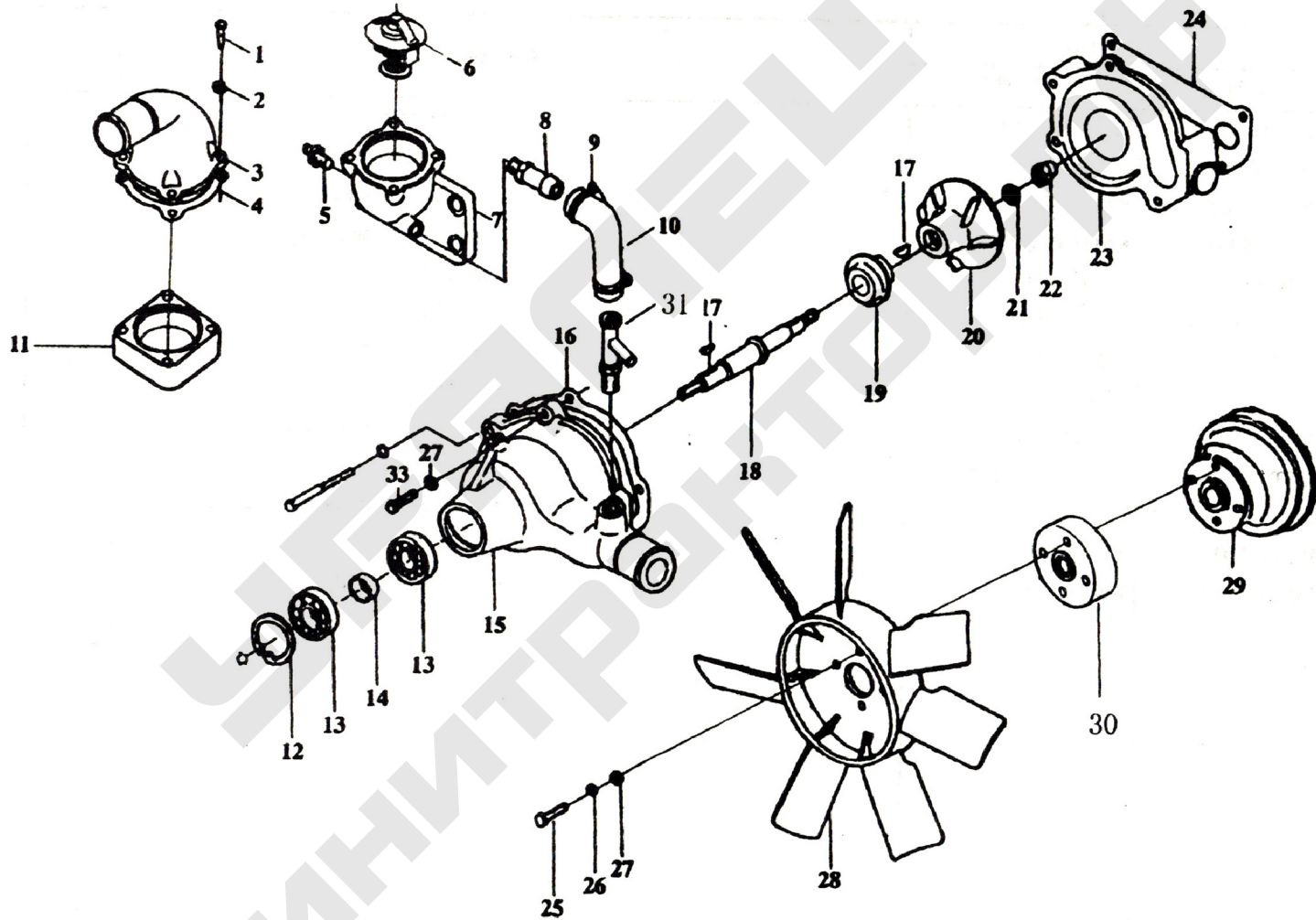
Crankshaft-fly wheel Assy



Crankshaft-fly wheel Assy

| No | Parts No | | Name of Parts | Qty |
|----|---------------|---------------|------------------------------|-----|
| | KM385BT | LL380BT | | |
| 1 | KM385T-05006 | KM385T-05006 | Starting claw | 1 |
| 2 | L375-05005 | L375-05005 | Starting claw washer | 1 |
| 3 | KM385T-05005 | KM385T-05005 | Crankshaft belt pulley | 1 |
| 4 | KM385T-05007 | KM385T-05007 | Crankshaft timing gear | 1 |
| 5 | GB1096-79 | GB1096-79 | Key C10 × 63 | 1 |
| 6 | KM385QB-05003 | LL380-05003 | Crankshaft | 1 |
| 7 | GB278-89 | GB278-89 | Bearing B60203 | 1 |
| 8 | GB119-86 | GB119-86 | Pin B8 × 20 | 1 |
| 9 | LL480-05102 | LL480-05102 | Gear ring for fly wheel | 1 |
| 10 | KM385T -05101 | KM385T -05101 | Fly wheel | 1 |
| 11 | L375-05002 | L375-05002 | Fly wheel bolt backing plate | 1 |
| 12 | KM385T-05001 | KM385T-05001 | Fly wheel | 6 |
| 13 | KM385T-05008 | KM385T-05008 | Air pump belt pulley | 1 |

COOLING SYSTEM ASSY

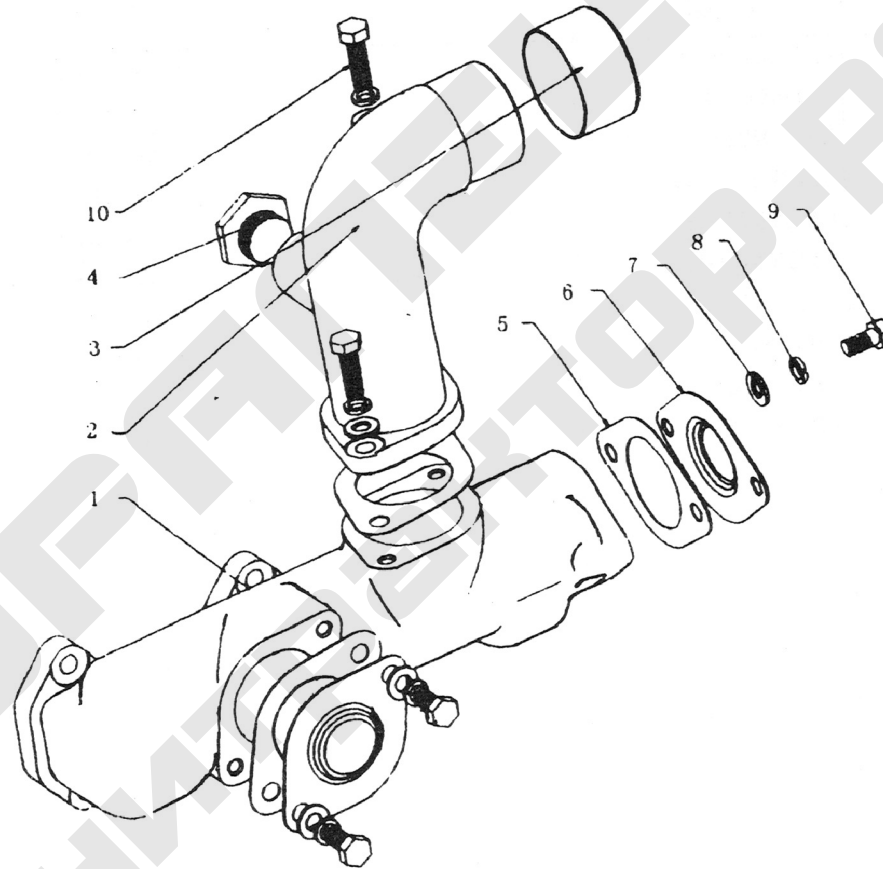


Cooling System Assy

| No | Parts No | | Name of Parts | Qty |
|----|---------------------|---------------------|----------------------------------|-----|
| | KM385BT | LL380BT | | |
| 1 | GB5783-86 | GB5783-86 | Bolt M6 × 60 | 4 |
| 2 | GB848-85 | GB848-85 | Washer 6 100HV | 4 |
| 3 | LL380-06201-1 | LL380-06201-1 | Thermostat cover | 1 |
| 4 | L375-06202 | L375-06202 | Thermostat cover gasket | 1 |
| 5 | L375-06206 | L375-06206 | Water temprature sensor | 1 |
| 6 | L375-06203 | L375-06203 | Thermostat | 1 |
| 7 | L375-06204 | L375-06204 | Thermostat housing | 1 |
| 8 | LL480-06303 | LL480-06303 | Small circulating water pipe | 2 |
| 9 | ZBT32005.1-88 | ZBT32005.1-88 | Clamp φ 26 | 2 |
| 10 | LL380-06001 | LL380-06001 | Hose pipe | 1 |
| 11 | KM385T-06208 | KM385T-06208 | Thermstat cover padding block | 1 |
| 12 | GB893.2-86 | GB893.2-86 | Washer | 1 |
| 13 | GB278-89 | GB278-89 | Ball bearing E60203 | 2 |
| 14 | L375-06104 | L375-06104 | Bearing spacer | 1 |
| 15 | LL480-06103-1 | LL480-06103-1 | Water pump housing | 1 |
| 16 | L375-06107 | L375-06107 | Water pump gasket | 1 |
| 17 | GB1099-79L375-06107 | GB1099-79L375-06107 | Wood ruff key 4 × 6.5 × 16 | 1 |
| 18 | LL480-06106 | LL480-06106 | Water pump shaft | 1 |
| 19 | C-15 | C-15 | Ceramic graphilte seal type C-15 | 1 |
| 20 | LL480-06105 | LL480-06105 | Water pump impeller | 1 |
| 21 | GB93-87 | GB93-87 | Washer8 | 1 |
| 22 | L375Y3--14-06110 | L375Y3--14-06110 | Stopper | 1 |
| 23 | L375-06108 | L375-06108 | Water pump rear cover | 1 |
| 24 | L375-01006 | L375-01006 | Water pump rear cover gasket | 1 |

| No | Parts No | | Name of Parts | Qty |
|----|-----------------|-----------------|------------------------|-----|
| | KM385BT | LL380BT | | |
| 25 | GB5782-86 | GB5782-86 | Bolt M8 × 4.5-8.8 | 4 |
| 26 | GB848-85 | GB848-85 | Washer 8-100HV | 4 |
| 27 | GB93-87 | GB93-87 | Washer 8 | 4 |
| 28 | LL380-06300 | LL380-06300 | Fan | 1 |
| 29 | LL480-06102 | LL480-06102 | Water pump belt pulley | 1 |
| 30 | 4L22-06113 | 4L22-06113 | Fan padding block | 1 |
| 31 | L375Y3-14-06100 | L375Y3-14-06100 | Triply joint | 1 |

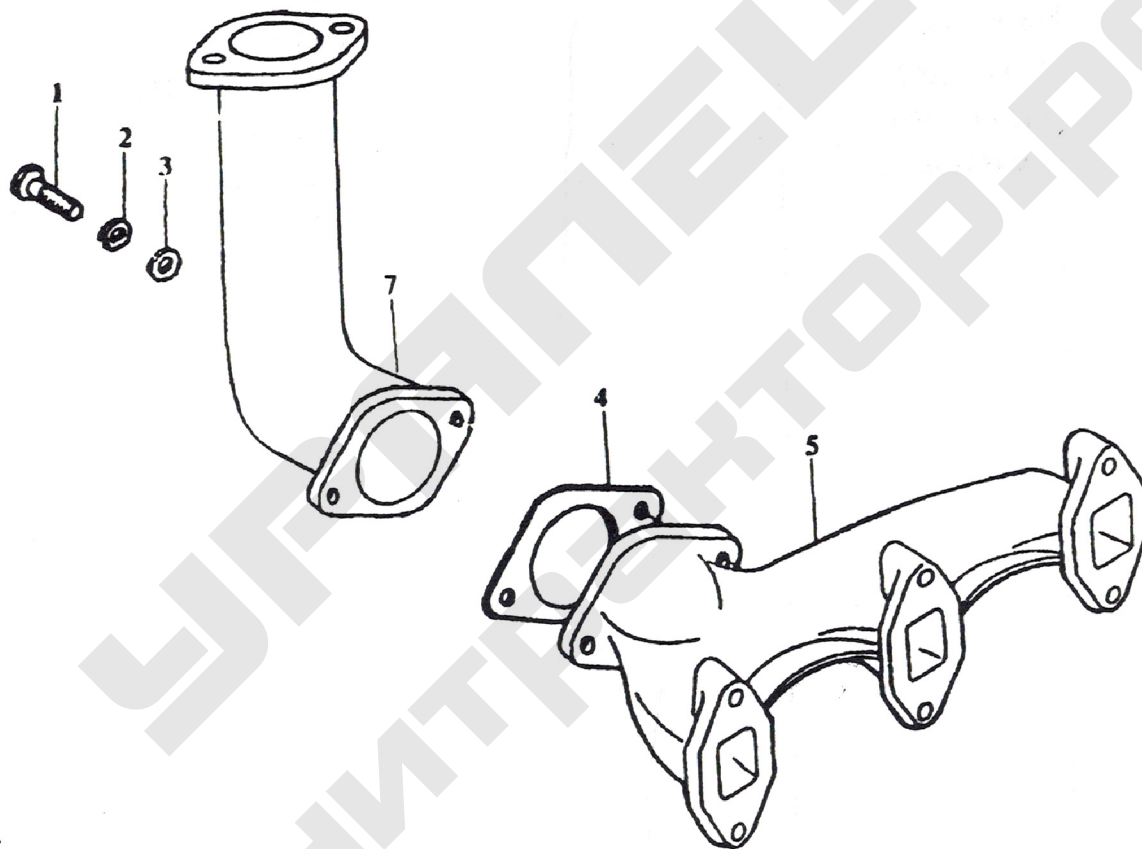
Intake Manifold Assy



Intake Manifold Assy

| No | Parts No | | Name of Parts | Qty |
|----|--------------|--------------|----------------------------------|-----|
| | KM385BT | LL380BT | | |
| 1 | LL380B-07001 | LL380B-07001 | Intake manifold | 1 |
| 2 | KM385T-07004 | KM385T-07004 | Intake manifold cover joint pipe | 1 |
| 3 | L375-07005 | L375-07005 | Joint cover | 1 |
| 4 | KM385T-07006 | KM385T-07006 | Screw plug | 1 |
| 5 | L375Y3-07003 | L375Y3-07003 | Intake manifold cover gasket | 3 |
| 6 | L375Y3-07002 | L375Y3-07002 | Intake manifold cover | 3 |
| 7 | GB97.1-85 | GB97.1-85 | Washer 10 | 6 |
| 8 | GB93-87 | GB93-87 | Washer 10 | 6 |
| 9 | GB5783-86 | GB5783-86 | Bolt M8 × 25 | 4 |
| 10 | GB5783-86 | GB5783-86 | Bolt M10 × 30 | 2 |

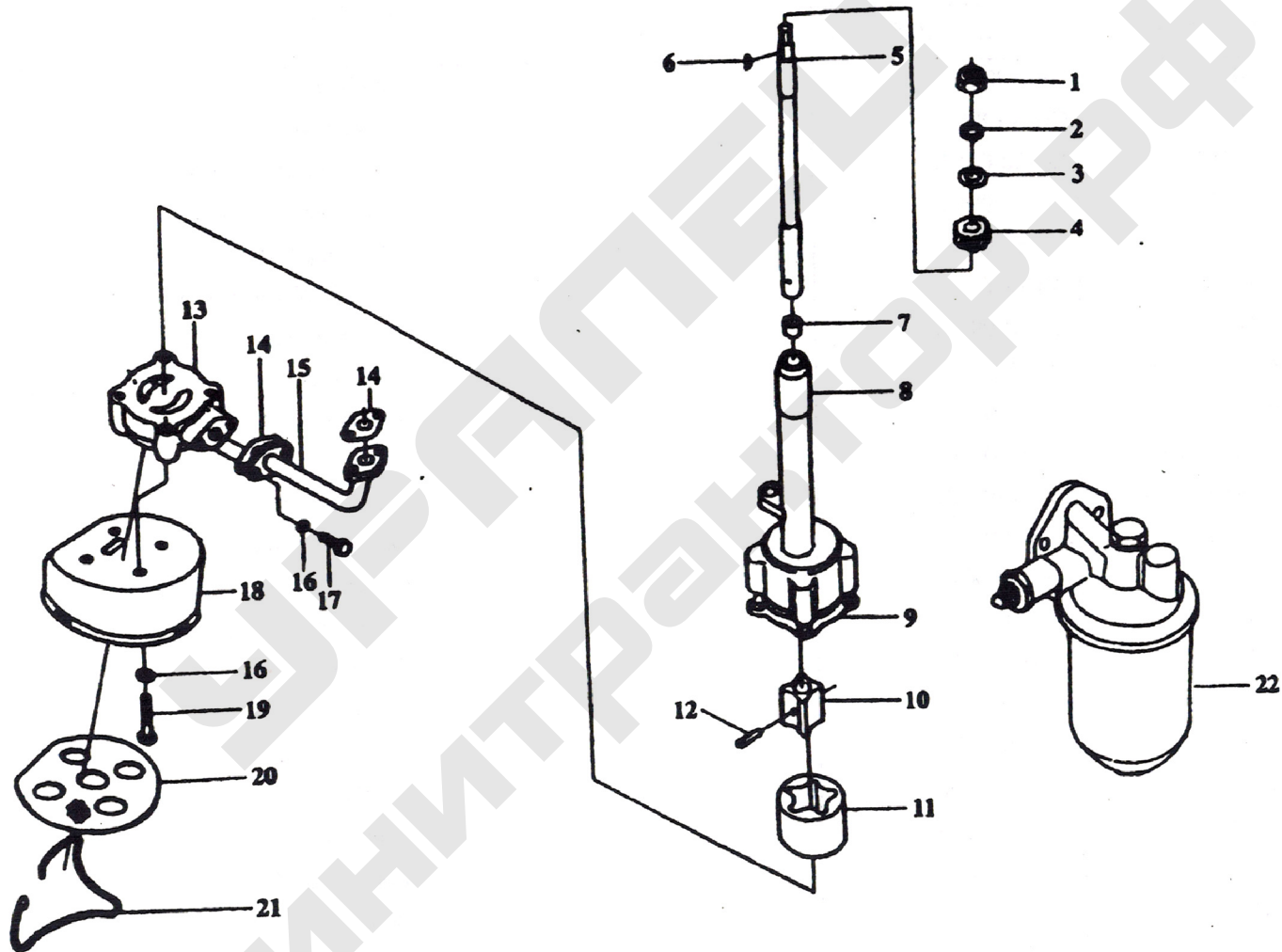
Exhaust Manifold Assy



Exhaust Manifold Assy

| No | Parts No | | Name of Parts | Qty |
|----|--------------|--------------|-------------------------|-----|
| | KM385BT | LL380BT | | |
| 1 | GB5783-86 | GB5783-86 | Bolt M10 × 30 | 2 |
| 2 | GB93-87 | GB93-87 | Washer 10 | 2 |
| 3 | GB97.1-85 | GB97.1-85 | Washer 10 | 2 |
| 4 | LL480-08002 | LL480-08002 | Exhaust manifold gasket | 1 |
| 5 | LL380B-08001 | LL380B-08001 | Exhaust manifold | 1 |
| 6 | KM385T-08003 | KM385T-08003 | Muffler joint | 1 |

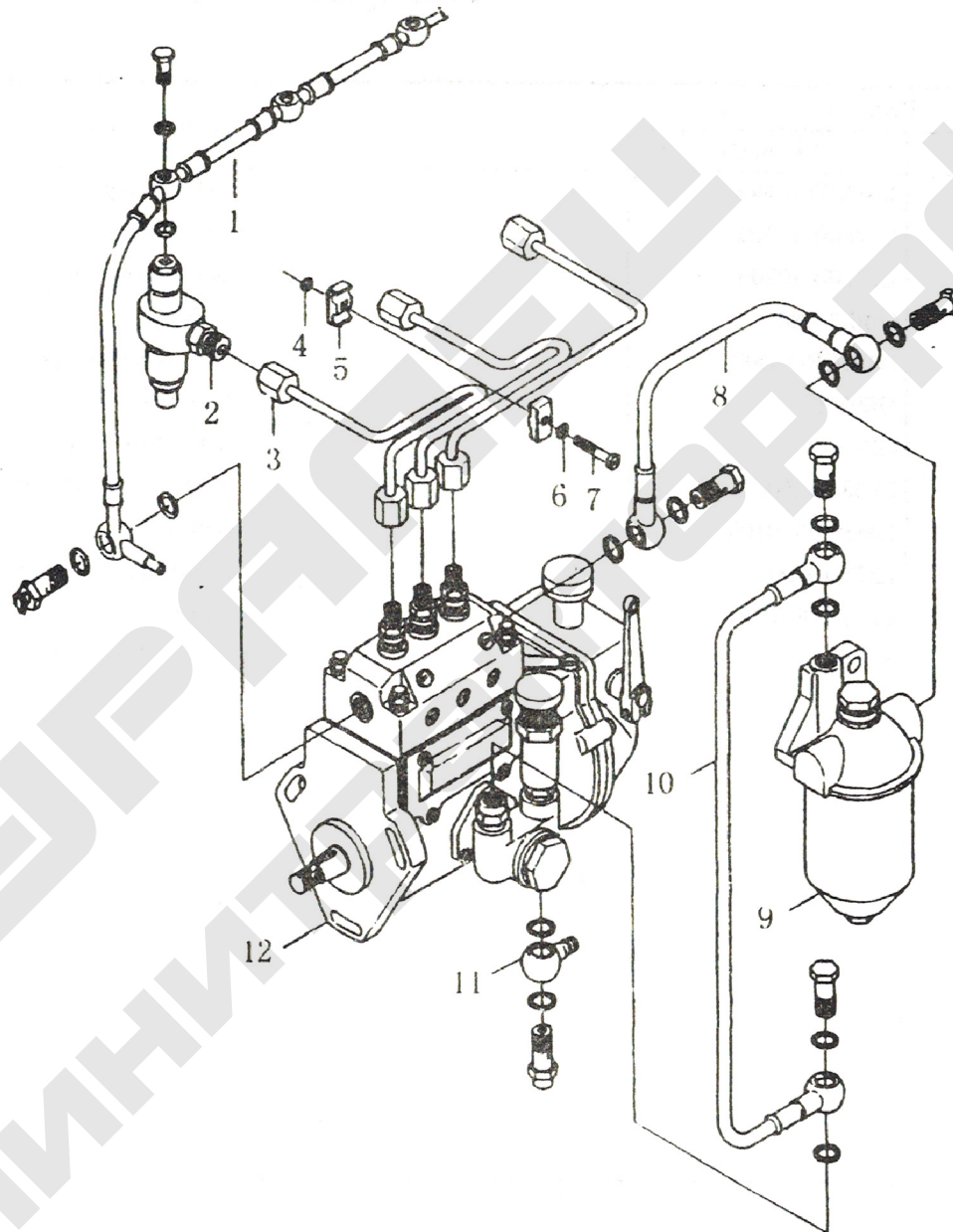
Lubricating System Assy



Lubricating System Assy

| No | Parts No | | Name of Parts | Qty |
|----|-----------------|---------------|-------------------------------|-----|
| | KM385BT | LL380BT | | |
| 1 | GB6170-86 | GB6170-86 | Nut M 10 | 1 |
| 2 | GB893-87 | GB893-87 | Washer 10 | 1 |
| 3 | LL480-09101 | LL480-09101 | Oil pump driven gear | 1 |
| 4 | LL480-09102 | LL480-09102 | Oil pump body bush | 1 |
| 5 | LL380-09103-2 | LL380-09103-2 | Oil pump body | 1 |
| 6 | GB1099-79 | GB1099-79 | Woodruff key 3 × 5 × 13 | 2 |
| 7 | KM485QB-09111-2 | LL380-09111-1 | Oil pump shaft | 1 |
| 8 | KM485QB-09104 | LL380-09104 | Inner rotor | 2 |
| 9 | LL480-09113 | LL480-09113 | Pin A5 × 18 | 6 |
| 10 | KM485QB-09105 | LL380-09105 | Outer rotor | 1 |
| 11 | LL480-09106 | LL480-09106 | Oil pump gasket | 1 |
| 12 | LL480-09107 | LL480-09107 | Oil pump cover | 1 |
| 13 | L375-09001 | L375-09001 | Oil outlet pipe flange gasket | 1 |
| 14 | LL480-09400-1 | LL480-09400-1 | Oil outlet pipe unit | 1 |
| 15 | LL480-09108 | LL480-09108 | Gauze strainer | 1 |
| 16 | GB93-87 | GB93-87 | Washer 8 | 1 |
| 17 | GB5783-86 | GB5783-86 | Bolt M8 × 20 | 1 |
| 18 | LL480-09200 | LL480-09200 | Weldment | 1 |
| 19 | LL480-09003 | LL480-09003 | Gauze support | 4 |
| 20 | GB5782-86 | GB5782-86 | Bolt M8 × 45 | 4 |
| 21 | KM385T-09300 | KM385T-09300 | Oil filter | 1 |

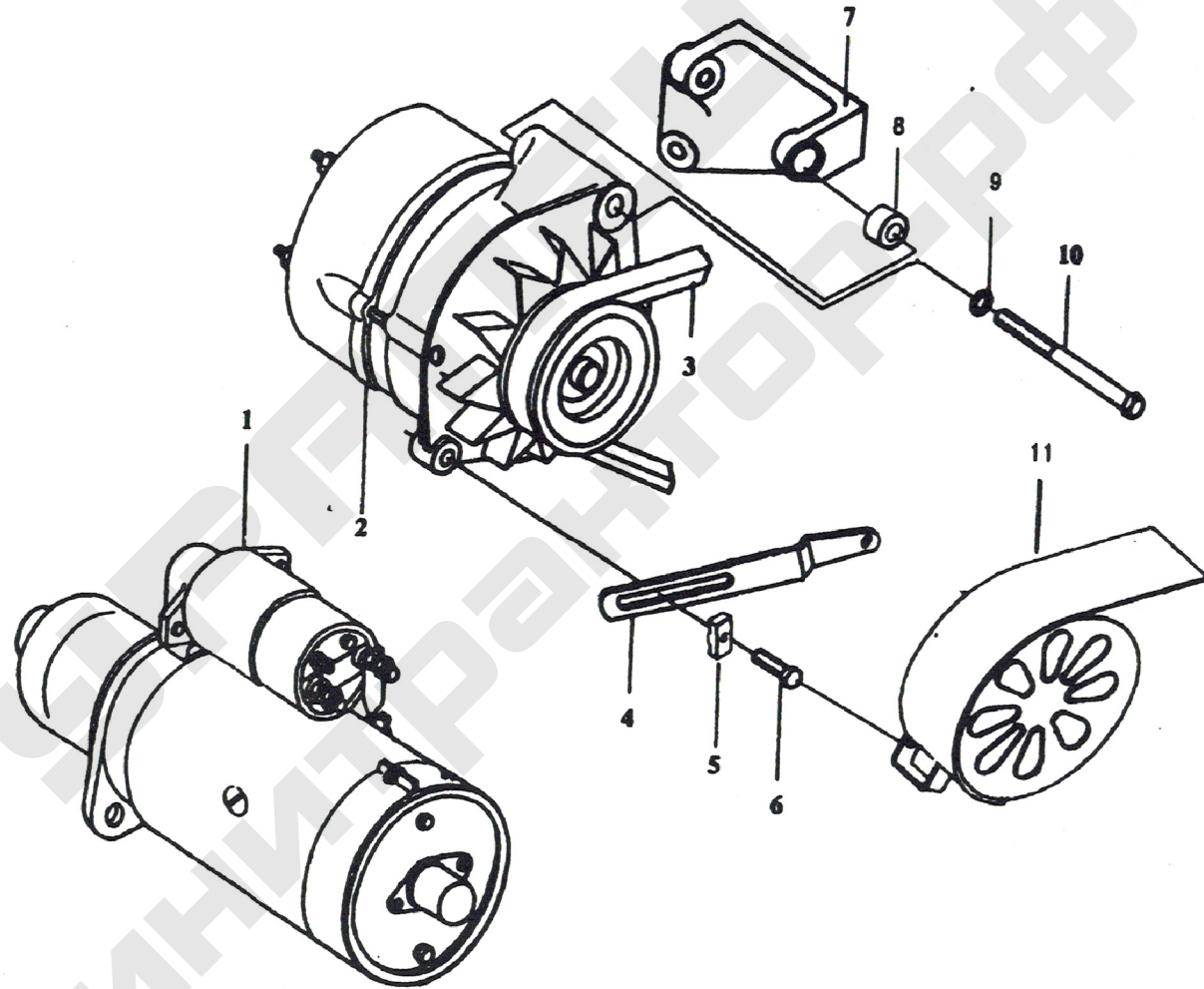
Fuel System Assy



Fuel System Assy

| No | Parts No | | Name of Parts | Qty |
|----|--------------|--------------|------------------------------------|-----|
| | KM385BT | LL380BT | | |
| 1 | KM385T-10400 | KM385T-10400 | Fuel return pipe | 1 |
| 2 | LL480B-10300 | LL480B-10300 | Fuel injector | 3 |
| 3 | LL380B-10200 | LL380B-10200 | Fuel injection pipe | 1 |
| 4 | GB6170-86 | GB6170-86 | Nut M6 | 2 |
| 5 | D495QB-10600 | D495QB-10600 | Fuel injection pipe clamp | 2 |
| 6 | GB93-87 | GB93-87 | Washer 6 | 2 |
| 7 | GB65-85 | GB65-85 | Screw M6 × 30 | 2 |
| 8 | LL380-10600 | LL380-10600 | Line from filter to injection pump | 1 |
| 9 | KM385T-10500 | KM385T-10500 | Fuel filter | 1 |
| 10 | L375-10700 | L375-10700 | Line from feed pump to filter | 1 |
| 11 | L375-10801B | L375-10801B | Pipe joint | 1 |
| 12 | 3I344 | 3QF98 | Three cylinder injection pump assy | 1 |

Electric System Assy



Electric System Assy

| No | Parts No | | Name of Parts | Qty |
|----|-------------------|-------------------|--------------------------------|-----|
| | KM385BT | LL380BT | | |
| 1 | KM385T-12300 | KM385T-12300 | Starting motor unit | 1 |
| 2 | KM385T-12100 | KM385T-12100 | Alternator | 1 |
| 3 | GB12732-1996-1071 | GB12732-1996-1071 | Belt | 1 |
| 4 | KM385T-01029 | KM385T-01029 | Alternator adjustable support | 1 |
| 5 | D495QB-01038 | D495QB-01038 | Compresion plate | 1 |
| 6 | GB5781-86 | GB5781-86 | Bolt M8 × 25 | 1 |
| 7 | KM385T-01028 | KM385T-01028 | Alternator fasten support | 1 |
| 8 | L375-01033-1 | L375-01033-1 | Alternator fasten support bush | 1 |
| 9 | GB848-85 | GB848-85 | Washer 8-100HV | 1 |
| 10 | GB5782-86 | GB5782-86 | Bolt M8 × 100 | 1 |
| 11 | | KM385T-12110 | Alternator housing | 1 |