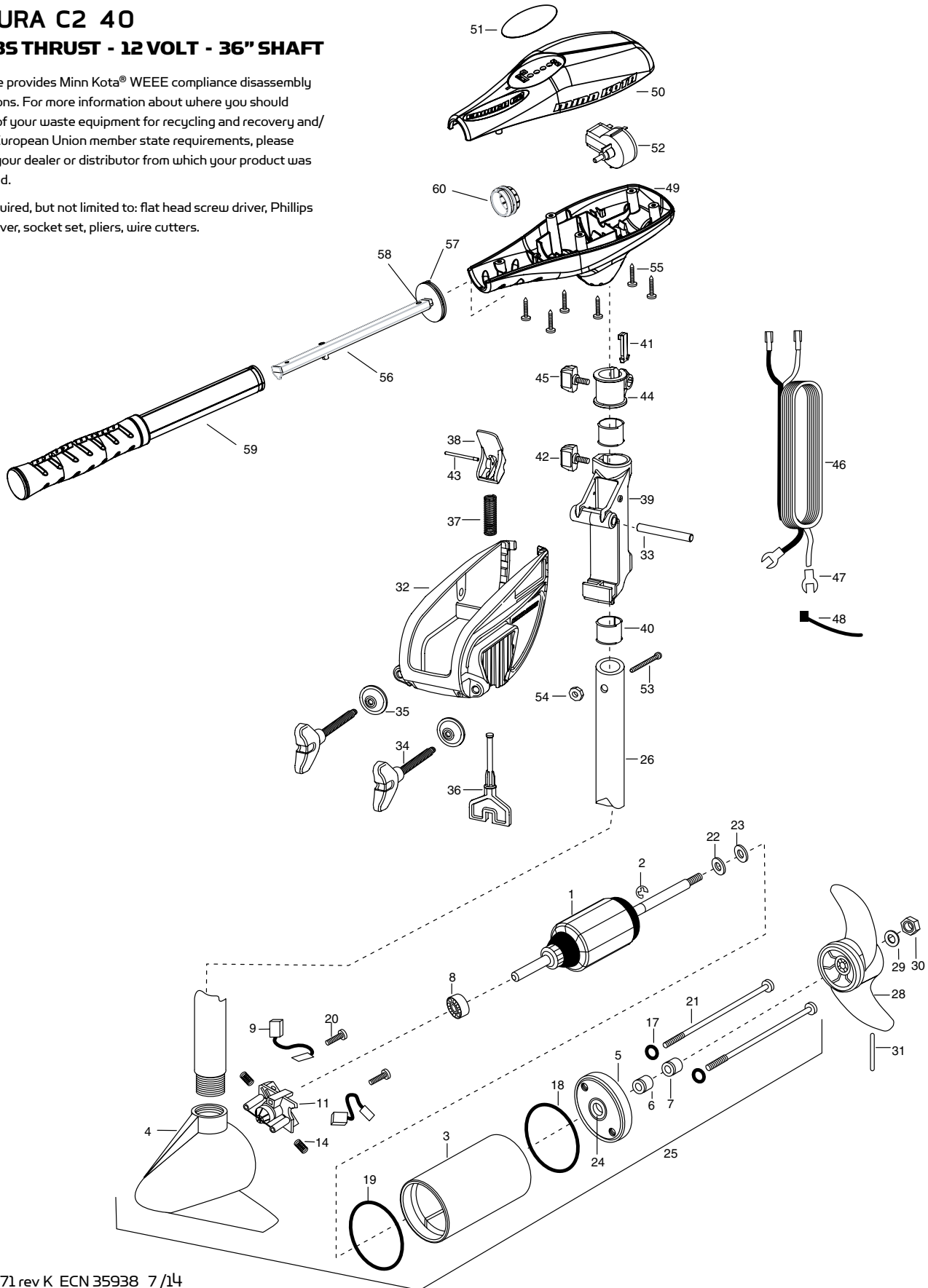


PARTS DIAGRAM

ENDURA C2 40 40 LBS THRUST - 12 VOLT - 36" SHAFT

This page provides Minn Kota® WEEE compliance disassembly instructions. For more information about where you should dispose of your waste equipment for recycling and recovery and/or your European Union member state requirements, please contact your dealer or distributor from which your product was purchased.

Tools required, but not limited to: flat head screw driver, Phillips screw driver, socket set, pliers, wire cutters.



PARTS LIST

ENDURA C2 40

40 LBS THRUST - 12 VOLT - 36" SHAFT

ITEM	QTY	PART NUMBER	DESCRIPTION
1	1	2-100-202	ARMATURE ASSEMBLY 12V 3.25
2	1	788-015	RETAINING RING
3	1	2-200-079	HOUSING ASSEMBLY CENTER 3.25 TXT
4	1	2-300-132	BRUSH END HOUSING ASSEMBLY 3.25 SP.CO
5	1	2-400-128	PLAIN END HOUSING ASSEMBLY 3.25
6	1	880-003	SEAL
7	1	880-006	SEAL W/SHIELD
8	1	140-010	BALL BEARING
9	2	188-052	BRUSH ASSEMBLY
11	1	738-030	BRUSH PLATE W/HOLDER 3.25
14	2	975-032	COMPRESSION SPRING
17	2	701-007	O-RING – THRU BOLT
18	1	701-039	O-RING
19	1	701-041	O-RING
20	2	830-001	SCREW – SELF THREAD #8-32X1.7
21	2	830-078	THRU BOLT #8-32X8.0
22	1	990-067	WASHER – STEEL THRUST
23	2	990-070	WASHER – NYLATRON
24	1	144-049	FLANGE BEARING (SERVICE ONLY)
25	1	2069237	MOTOR ASSEMBLY 12 V 3.25 5SP
26	1	2032046	36" COMPOSITE TUBE
■	1	1378121	PROPELLER KIT (INCLUDES 28-31)
28	1	2061122	PROPELLER 3.25 HUB DIA
29	1	2151726	WASHER – 5/16 STD SS
30	1	2053101	NUT – PROP NYLOCK (MED) SS
31	1	2092600	DRIVE PIN
■	1	2771818	BRACKET & HINGE ASSEMBLY (INCLUDES 32-43)
■	1	2771910	BRACKET ASSEMBLY (INCLUDES 32, 34, 35)
*32	1	2061910	BRACKET
33	1	2060510	HINGE PIN

■ THIS ITEM IS PART OF AN ASSEMBLY.

*THIS ITEM IS PART OF A KIT AND ONLY LISTED FOR VIEWING PURPOSES.

ITEM	QTY	PART NUMBER	DESCRIPTION
*34	2	2061300	SCREW – CLAMP
*35	2	2011710	WASHER – CLAMP SCREW
36	1	2063605	PLASTIC T-BAR
37	1	2062706	T-BAR SPRING
38	1	2067201	TILT BLACK LEVER
39	1	2061810	PLASTIC HINGE
40	2	2037301	HINGE BUSHING
41	1	2062800	SNAP-IN TENSION BLOCK
42	1	2011385	SCREW – TENSION/KNOB
43	1	2060515	TILT LEVER PIN
44	1	2061520	DEPTH COLLAR
45	1	2011365	SCREW – COLLAR/NEW KNOB
46	1	2050610	LEADWIRE (10 GA) W/SPADE TERM
47	2	2020703	SPADE TERMINAL 14GA HD
48	1	2256300	TIE WRAP
49	1	2062515	CONTROL BOX
50	1	2060215	CONTROL BOX COVER
51	1	2065701	DECAL COVER ENDURA C2 40
52	1	2064028	SWITCH – FWD/REV 5 SP
53	1	2033401	SCREW – #10-24 X 1-3/4
54	1	2013110	NUT – 10-24 HEX
55	6	2012100	SCREW – #8-18 X 5/8
56	1	2990919	INNER HANDLE ASSEMBLY
57	1	2060405	HANDLE PIVOT
58	1	2012104	SCREW – #6 X 1/2" SS
59	1	2990928	OUTER HANDLE ASSEMBLY
60	1	2060009	FRONT BEARING
■	1	2883460	SEAL AND O-RING KIT