

SUZUKI

PARTS CATALOGUE

DT40W

DT40W

DT40WR



OUTBOARD MOTOR

2011-4

1ST EDITION

PREFACE

When it becomes necessary to replace parts on SUZUKI OUTBOARD MOTORS, always use SUZUKI GENUINE PARTS which have passed a strict inspection which guarantees quality and performance.

This parts catalogue covers the list of all service parts for SUZUKI DT40W production 2011.

INSTRUCTIONS FOR QUOTING THE CATALOGUE

1. DIMENSIONS

Dimensions of the parts in this catalogue are indicated in unit millimeters.

2. ABBREVIATIONS

Abbreviations used in this catalogue are as follows:

AR	: As required	NT	: Number of teeth
ASSY	: Assembly	OPT	: Optional
E. NO.	: Engine number	OS	: Over size
F. NO.	: Frame number	STD	: Standard
D	: Diameter of material	T	: Thickness
ID	: Inside diameter	US	: Under size
OD	: Outside diameter	W	: Width
L	: Length	W/	: With
LH(PORT)	: Left hand side	S, L, L2	: Transom type
RH(STBD)	: Right hand side	SUS	: Stainless steel
~123456	: Up to E. NO. 04005-123456	PTT	: Power trim and tilt
123456~	: From E. NO. 04005-123456		

12 x 34 x 5.6..... Figures in the description column

$\begin{array}{|c|} \hline 12 \\ \hline \end{array}$ $\begin{array}{|c|} \hline 34 \\ \hline \end{array}$ $\begin{array}{|c|} \hline 5.6 \\ \hline \end{array}$ show the dimensions of parts.
ID OD T(or W, L)

→12345-56781 (Parts No.) : indicates that the parts number was changed to 12345-56781 and the new parts are interchangeable with the former ones but the former ones are not interchangeable with new ones.

←12345-56781 (Parts No.) : indicates that the former and new parts are interchangeable with each other and both are usable.

3. INNER PARTS OF ASSEMBLY

Part name with a dot (.) in front as shown in the description column indicates the component of the assembly also available individually.

4. MODIFICATION NOTICE

A parts bulletin will be sent to you on all occasions when changes in parts occur, including interchangeable modifications between new parts and old ones.

5. NOTE

5-1. There are some different parts from those of production models among spare parts for the administrative reasons and common use of them with other models.

5-2. In respect of rubber hoses and vinyl tubes, please be sure to use them by cutting off according to the length mentioned on parts catalogue or what is actually required on the vehicle.

5-3. Note that the drawings on the illustration page are for ready reference of spare parts number, not to be used as an assembly manual.
When assembling, use "SUZUKI SERVICE MANUAL".

6. SPECIFICATION CODE

This catalogue contains the parts for the model designed for the following spec. ;

spec. code : DT40W : P40, P90

DT40WR : P40, P90

7. MODEL NAME AND ENGINE NUMBER

<u>MODEL</u>	<u>DESTINATION</u>	<u>TYPE</u>	<u>TRANSOM</u>	<u>ENGINE No.</u>
DT40W	P40	04005	S, L, L2	04005-210001~
DT40W	P90	04005	S	04005-210001~
DT40WR	P40	04005	L, L2	04005-210001~
DT40WR	P90	04005	S	04005-210001~

COLOR CHART
TABLEAU DES COULEURS

COLOR NO. NO DE COULEUR	COLOR DESCRIPTION DESCRIPTION DE COULEUR	COLOR NO. NO DE COULEUR	COLOR DESCRIPTION DESCRIPTION DE COULEUR
RB4	SHADOW BLACK NO. 3		
0EP	SHADOW BLACK METALLIC		
064	PURE WHITE		
13L	BRIGHT SILVER METALLIC		

MILLIMETER → INCH CONVERSION CHART

	0	1	2	3	4	5	6	7	8	9
00	.000	.039	.079	.118	.157	.197	.236	.276	.315	.354
10	.394	.433	.472	.512	.551	.591	.630	.669	.709	.748
20	.787	.827	.866	.906	.945	.984	1.024	1.063	1.102	1.142
30	1.181	1.220	1.260	1.299	1.339	1.378	1.417	1.457	1.496	1.535
40	1.575	1.614	1.654	1.693	1.732	1.772	1.811	1.850	1.890	1.929
50	1.969	2.008	2.047	2.087	2.126	2.165	2.205	2.214	2.283	2.323
60	2.362	2.402	2.441	2.480	2.520	2.559	2.598	2.638	2.677	2.717
70	2.756	2.795	2.835	2.874	2.913	2.953	2.992	3.031	3.071	3.110
80	3.150	3.189	3.228	3.268	3.307	3.346	3.386	3.425	3.465	3.504
90	3.543	3.583	3.622	3.661	3.701	3.740	3.780	3.819	3.858	3.898

How to read

	0	1	2	3	4
00
10
20	0.906	...
30

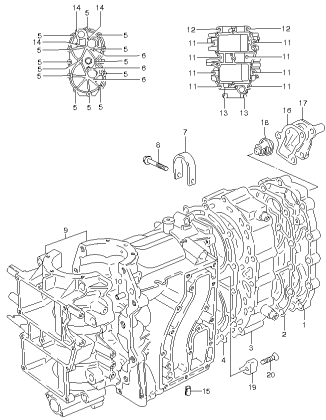
23 millimeters equal 0.906 inch

Contents are subject to change without notice or obligation.

FIG. NO.	T I T L E	ADDRESS NO.
1	CYLINDER	1-B-02
2	CRANKSHAFT	1-B-03
3	INLET CASE	1-B-04
4	CARBURETOR	1-B-05
5	OIL SEAL HOUSING (DT40W P40)	1-B-06
6	OIL SEAL HOUSING (DT40W P90)	1-B-07
7	OIL SEAL HOUSING (DT40WR P40)	1-B-08
8	OIL SEAL HOUSING (DT40WR P90)	1-B-09
9	EXHAUST TUBE (DT40W P40)	1-B-10
10	EXHAUST TUBE (DT40W P90)	1-B-11
11	EXHAUST TUBE (DT40WR P40)	1-B-12
12	EXHAUST TUBE (DT40WR P90)	1-B-13
13	FUEL PUMP	1-B-14
14	WATER PUMP (DT40W P40)	1-B-15
15	WATER PUMP (DT40W P90)	1-C-02
16	WATER PUMP (DT40WR P40)	1-C-03
17	WATER PUMP (DT40WR P90)	1-C-04
18	RECOIL STARTER	1-C-05
19	THROTTLE CONTROL	1-C-06
20	CLUTCH (DT40W P40)	1-C-07
21	CLUTCH (DT40W P90)	1-C-08
22	CLUTCH (DT40WR P40)	1-C-09
23	CLUTCH (DT40WR P90)	1-C-10
24	TRANSMISSION (DT40W P40)	1-C-11
		1-C-12
25	TRANSMISSION (DT40W P90)	1-C-13
		1-C-14
26	TRANSMISSION (DT40WR P40)	1-C-15
		1-D-02
27	TRANSMISSION (DT40WR P90)	1-D-03
		1-D-04
28	STARTING MOTOR (DT40W P40)	1-D-05
29	STARTING MOTOR (DT40WR P40)	1-D-06
30	STARTING MOTOR (DT40WR P90)	1-D-07
31	MAGNETO (DT40W P40)	1-D-08
32	MAGNETO (DT40W P90)	1-D-09
33	MAGNETO (DT40WR P40)	1-D-10
34	MAGNETO (DT40WR P90)	1-D-11
35	IGNITION (DT40W P40)	1-D-12
36	IGNITION (DT40W P90)	1-D-13
37	IGNITION (DT40WR P40)	1-D-14
38	IGNITION (DT40WR P90)	1-D-15
39	ELECTRICAL (DT40W P40)	1-E-02
40	ELECTRICAL (DT40W P90)	1-E-03
41	ELECTRICAL (DT40WR P40)	1-E-04
42	ELECTRICAL (DT40WR P90)	1-E-05
43	IGNITION SWITCH (DT40W P40)	1-E-06
44	IGNITION SWITCH (DT40W P90)	1-E-07
45	IGNITION SWITCH (DT40WR P40)	1-E-08
46	IGNITION SWITCH (DT40WR P90)	1-E-09
47	CLAMP BRACKET (DT40W P40)	1-E-10
48	CLAMP BRACKET (DT40W P90)	1-E-11
49	CLAMP BRACKET (DT40WR P40)	1-E-12
50	CLAMP BRACKET (DT40WR P90)	1-E-13
51	SWIVEL BRACKET (DT40W P40)	1-E-14
		1-E-15
52	SWIVEL BRACKET (DT40W P90)	1-F-02
		1-F-03
53	SWIVEL BRACKET (DT40WR P40)	1-F-04
		1-F-05
54	SWIVEL BRACKET (DT40WR P90)	1-F-06
		1-F-07
55	DRIVE SHAFT HOUSING (DT40W P40)	1-F-08
56	DRIVE SHAFT HOUSING (DT40W P90)	1-F-09
57	DRIVE SHAFT HOUSING (DT40WR P40)	1-F-10
58	DRIVE SHAFT HOUSING (DT40WR P90)	1-F-11
59	GEAR CASE	1-F-12

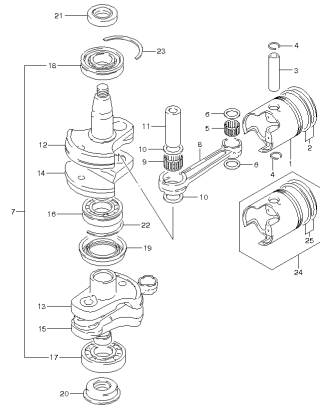
FIG. NO.	T I T L E	ADDRESS NO.
60	LOWER COVER (DT40W P40)	1-F-13
61	LOWER COVER (DT40W P90)	1-F-14
62	LOWER COVER (DT40WR P40)	1-F-15
63	LOWER COVER (DT40WR P90)	1-G-02
64	ENGINE COVER	1-G-03
65	TILLER HANDLE (DT40W P40)	1-G-04
66	TILLER HANDLE (DT40W P90)	1-G-05
67	FUEL TANK (PLASTIC/25L)	1-G-06
68	REMOCON CABLE HOLDER (DT40WR P40)	1-G-07
69	REMOCON CABLE HOLDER (DT40WR P90)	1-G-08
70	REMOTE CONTROL (DT40WR P40)	1-G-09
		1-G-10
71	REMOTE CONTROL (DT40WR P90)	1-G-11
		1-G-12
72	DRAG LING (DT40WR P40)	1-G-13
73	DRAG LING (DT40WR P90)	1-G-14
74	OPT : STARTING MOTOR (DT40W P40)	1-G-15
75	OPT : STARTING MOTOR (DT40W P90)	1-H-02
76	OPT : METER (DT40W P40)	1-H-03
77	OPT : METER (DT40WR P40)	1-H-04
78	OPT : METER (DT40WR P90)	1-H-05
79	OPT : ELECTRICAL (MANUAL STARTER) (DT40W P40)	1-H-06
80	OPT : ELECTRICAL (MANUAL STARTER) (DT40W P90)	1-H-07
81	OPT : ELECTRICAL (ELECTRIC STARTER) (DT40W P40)	1-H-08
82	OPT : ELECTRICAL (ELECTRIC STARTER) (DT40WR P40)	1-H-09
83	OPT : ELECTRICAL (ELECTRIC STARTER) (DT40WR P90)	1-H-10
84	OPT : TILLER HANDLE (DT40WR P40)	1-H-11
		1-H-12
85	OPT : TILLER HANDLE (DT40WR P90)	1-H-13
		1-H-14
86	OPT : REMOCON PARTS (DT40W P40)	1-H-15
87	OPT : REMOCON PARTS (DT40W P90)	1-I-02
88	OPT : REMOCON PARTS (DT40WR P40)	1-I-03
89	OPT : REMOCON PARTS (DT40WR P90)	1-I-04

FIG.1



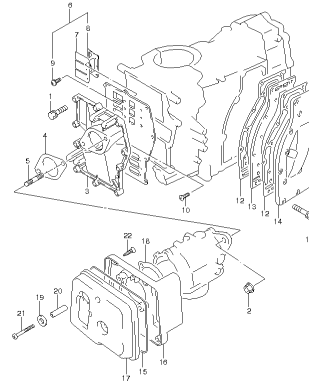
DT40W P40 012_001
CYLINDER

FIG.2



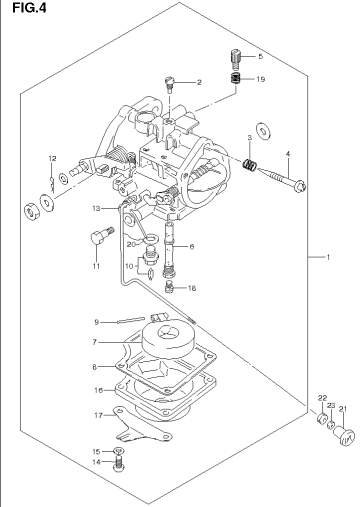
DT40W P40 012_002
CRANKSHAFT

FIG.3



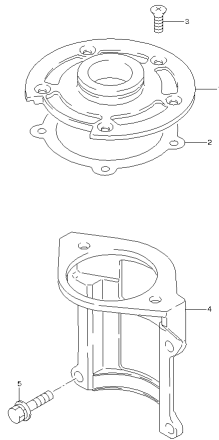
DT40W P40 012_003
INLET CASE

FIG.4



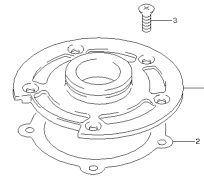
DT40W P40 012_004
CARBURETOR

FIG.5



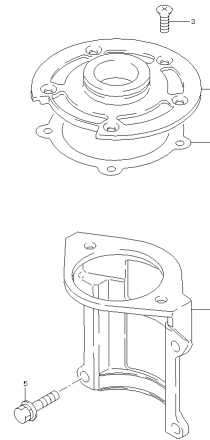
DT40W P40 012_005
OIL SEAL HOUSING

FIG.6



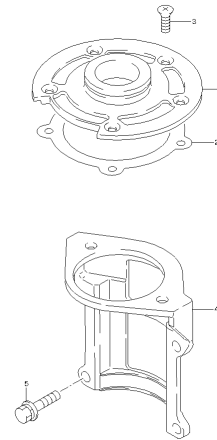
DT40W P40 012_006
OIL SEAL HOUSING

FIG.7



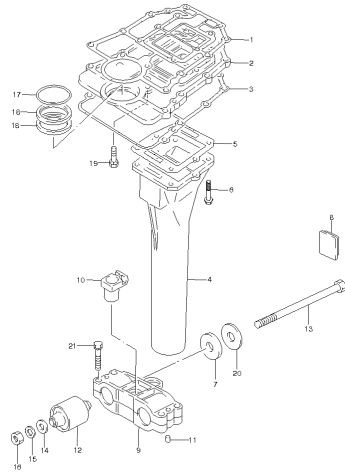
DT40W P40 012_007
OIL SEAL HOUSING

FIG.8



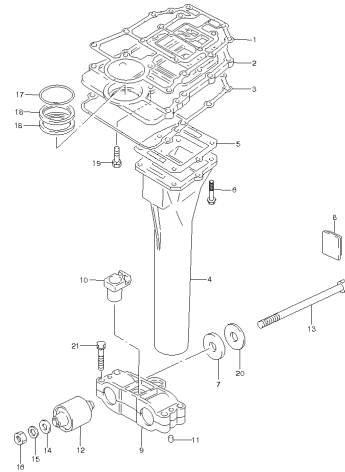
DT40W P40 012_008
OIL SEAL HOUSING

FIG.9



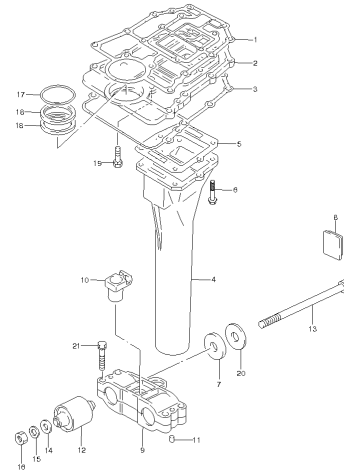
DT40W P40.012_009
EXHAUST TUBE

FIG.10



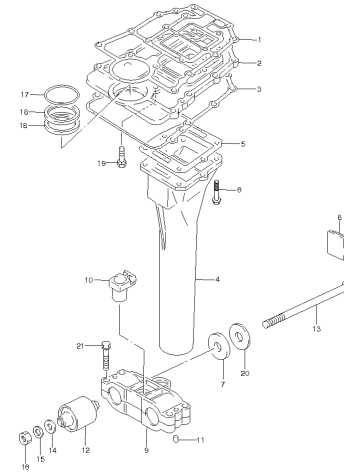
DT40W P40.012_010
EXHAUST TUBE

FIG.11



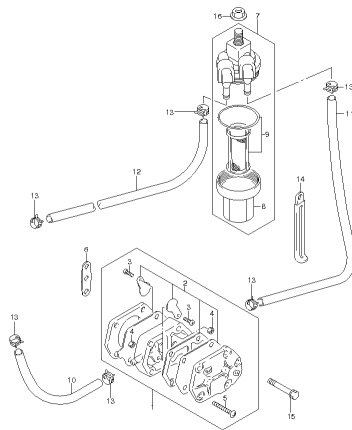
DT40W P40.012_011
EXHAUST TUBE

FIG.12



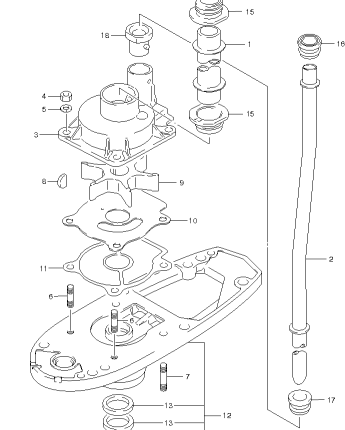
DT40W P40.012_012
EXHAUST TUBE

FIG.13



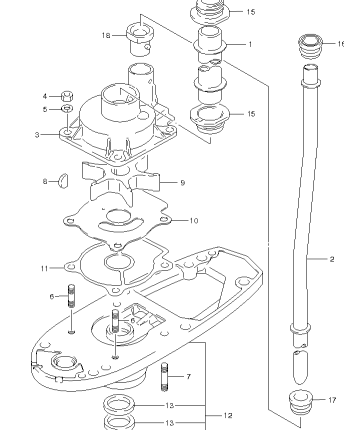
DT40W P40.012_013
FUEL PUMP

FIG.14



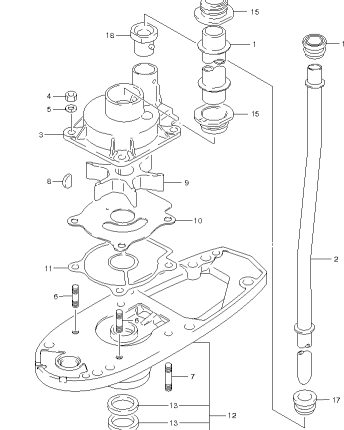
DT40W P40.012_014
WATER PUMP

FIG.15



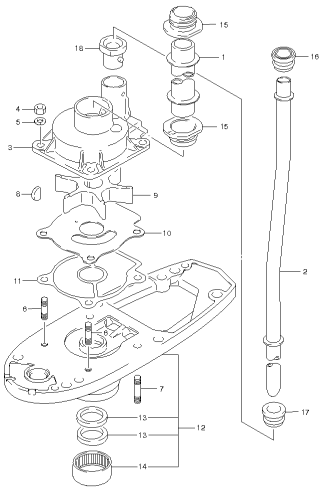
DT40W P40.012_015
WATER PUMP

FIG.16



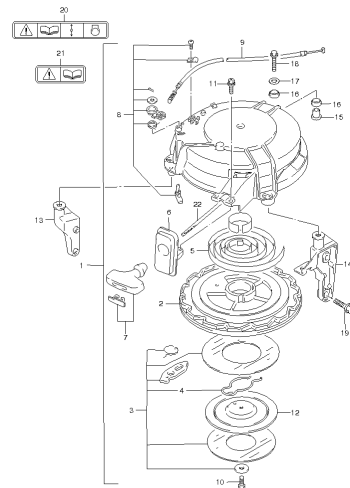
DT40W P40.012_016
WATER PUMP

FIG.17



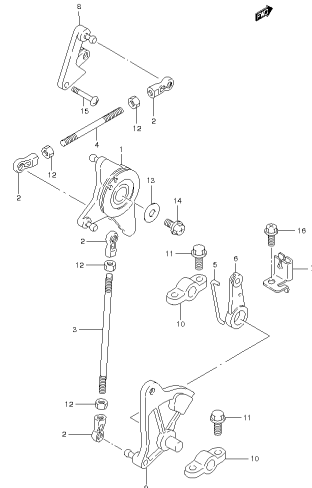
DT40W P40 012_017
WATER PUMP

FIG.18



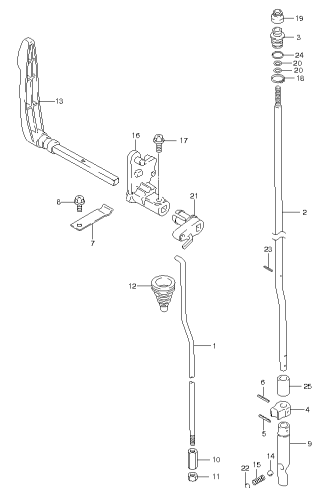
DT40W P40 012_018
RECOIL STARTER

FIG.19



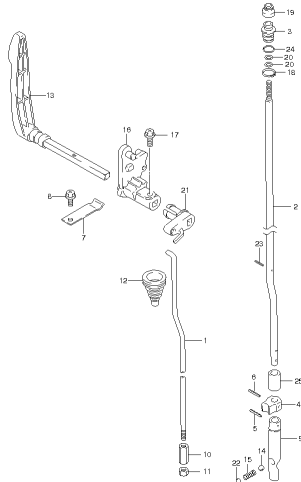
DT40W P40 012_019
THROTTLE CONTROL

FIG.20



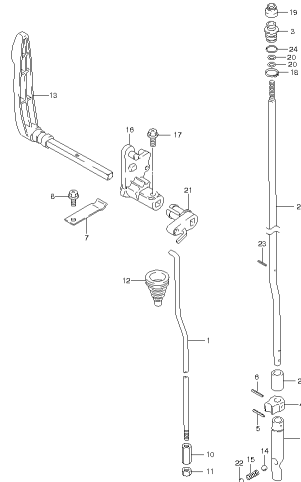
DT40W P40 012_020
CLUTCH

FIG.21



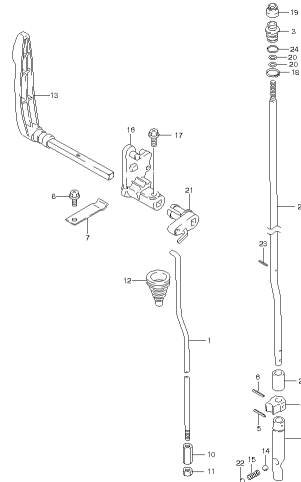
DT40W P40 012_021
CLUTCH

FIG.22



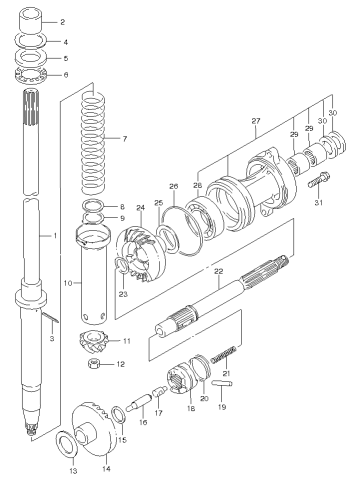
DT40W P40 012_022
CLUTCH

FIG.23



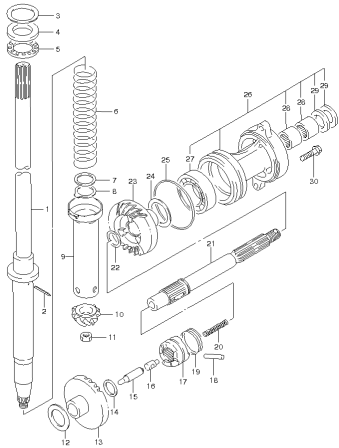
DT40W P40 012_023
CLUTCH

FIG.24



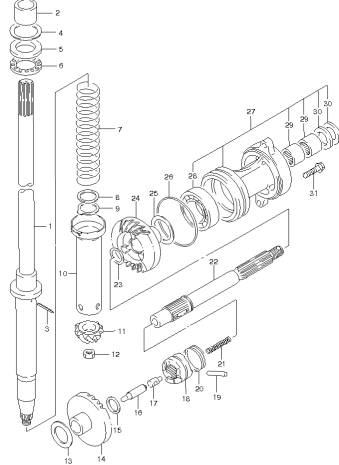
DT40W P40 012_024
TRANSMISSION

FIG.25



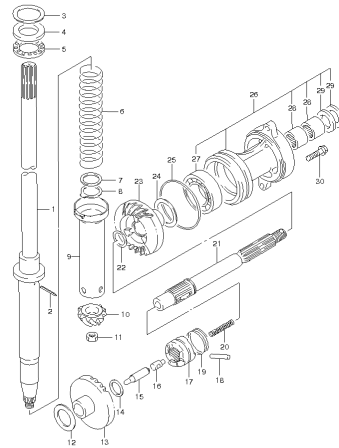
DT40W P40 012_025
TRANSMISSION

FIG.26



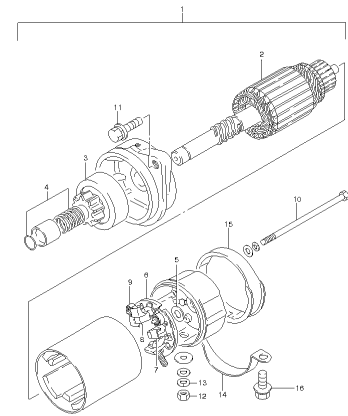
DT40W P40 012_026
TRANSMISSION

FIG.27



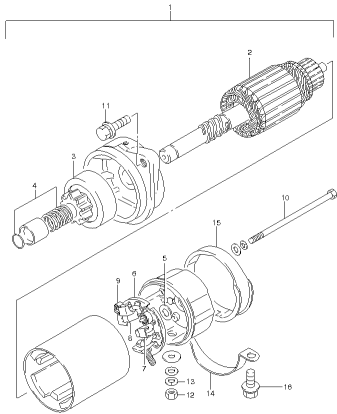
DT40W P40 012_027
TRANSMISSION

FIG.28



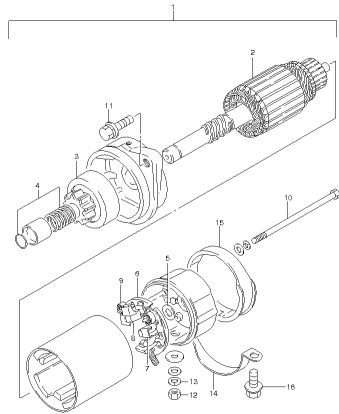
DT40W P40 012_028
STARTING MOTOR

FIG.29



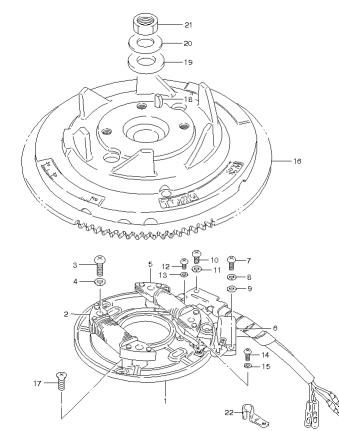
DT40W P40 012_029
STARTING MOTOR

FIG.30



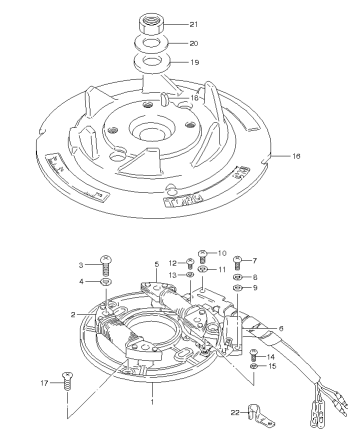
DT40W P40 012_030
STARTING MOTOR

FIG.31



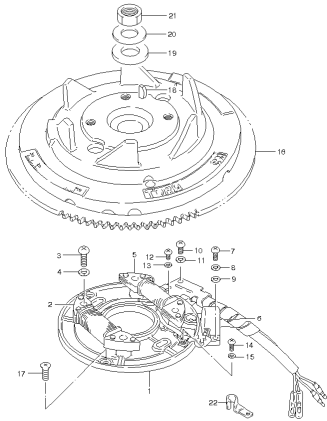
DT40W P40 012_031
MAGNETO

FIG.32



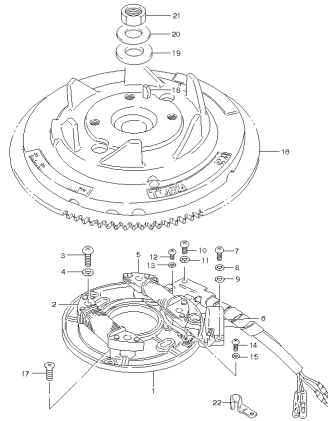
DT40W P40 012_032
MAGNETO

FIG.33



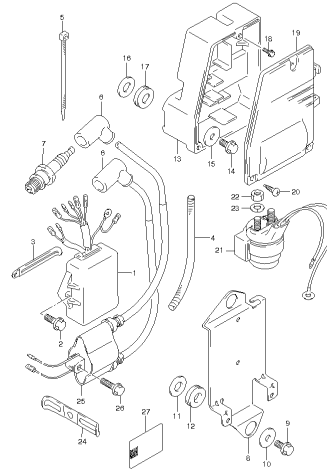
DT40W P40 012_003
MAGNETO

FIG.34



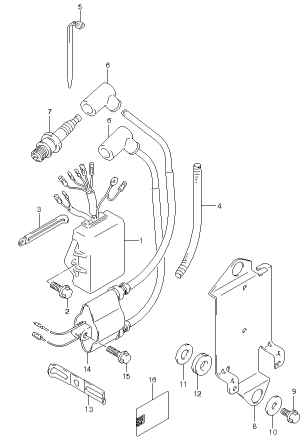
DT40W P40 012_004
MAGNETO

FIG.35



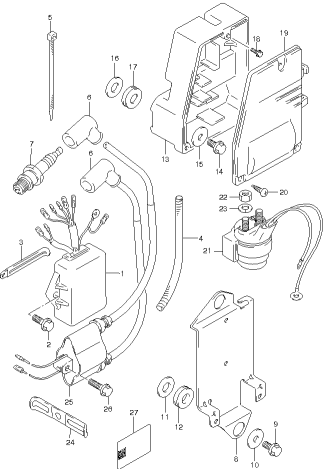
DT40W P40 012_005
IGNITION

FIG.36



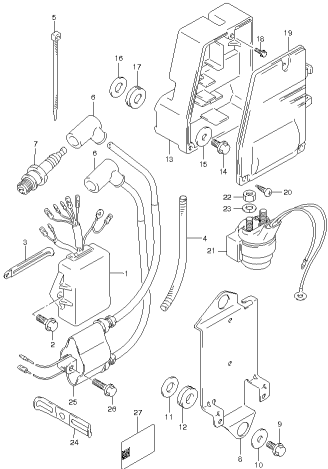
DT40W P40 012_006
IGNITION

FIG.37



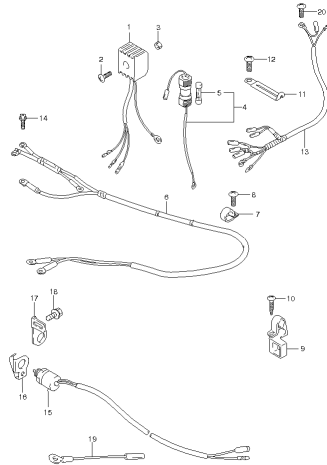
DT40W P40 012_007
IGNITION

FIG.38



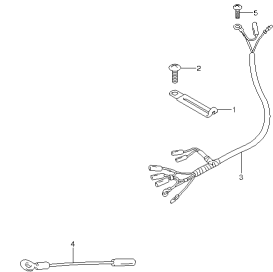
DT40W P40 012_008
IGNITION

FIG.39



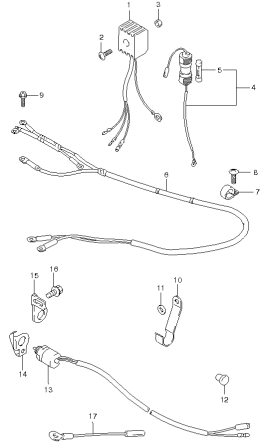
DT40W P40 012_009
ELECTRICAL

FIG.40



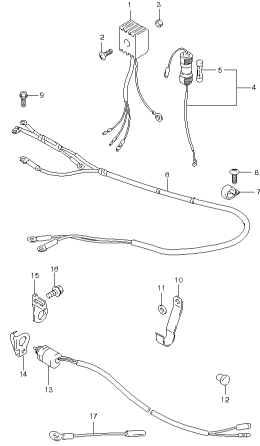
DT40W P40 012_040
ELECTRICAL

FIG.41



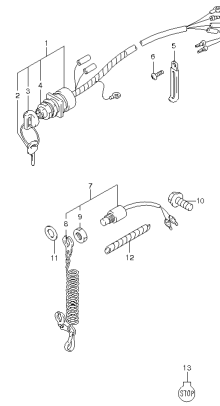
DT40W P40.012_041
ELECTRICAL

FIG.42



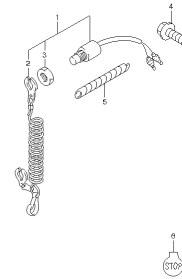
DT40W P40.012_042
ELECTRICAL

FIG.43



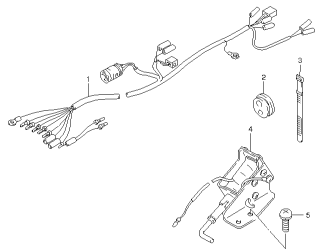
DT40W P40.012_043
IGNITION SWITCH

FIG.44



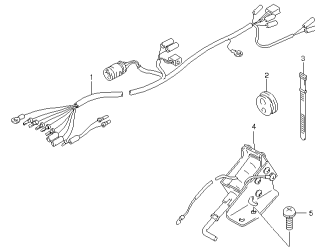
DT40W P40.012_044
IGNITION SWITCH

FIG.45



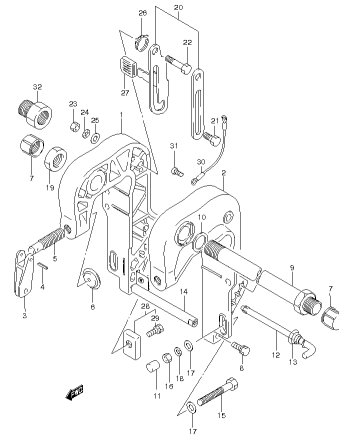
DT40W P40.012_045
IGNITION SWITCH

FIG.46



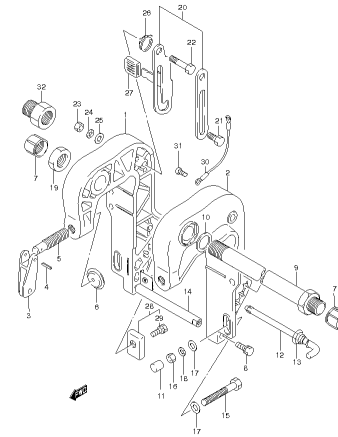
DT40W P40.012_046
IGNITION SWITCH

FIG.47



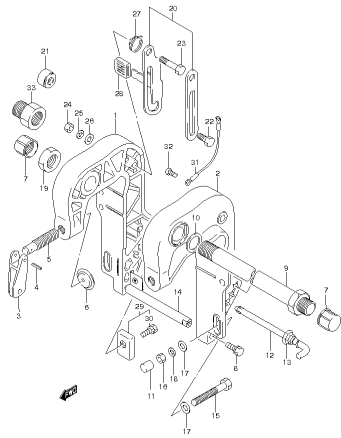
DT40W P40.012_047
CLAMP BRACKET

FIG.48



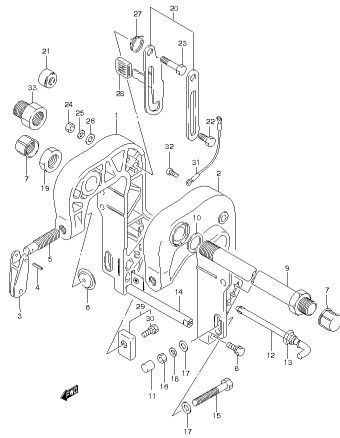
DT40W P40.012_048
CLAMP BRACKET

FIG.49



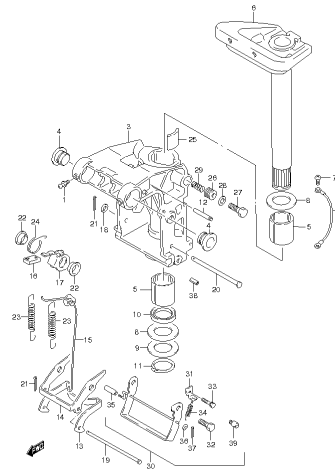
DT40W P40.012_049
CLAMP BRACKET

FIG.50



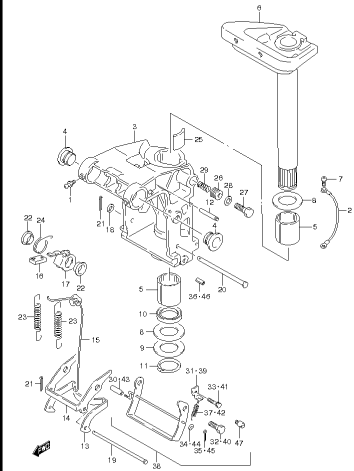
DT40W P40.012_050
CLAMP BRACKET

FIG.51



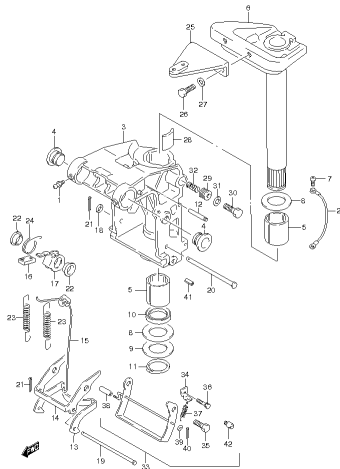
DT40W P40.012_051
SWIVEL BRACKET

FIG.52



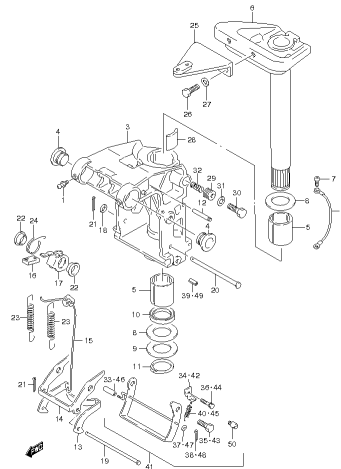
DT40W P40.012_052
SWIVEL BRACKET

FIG.53



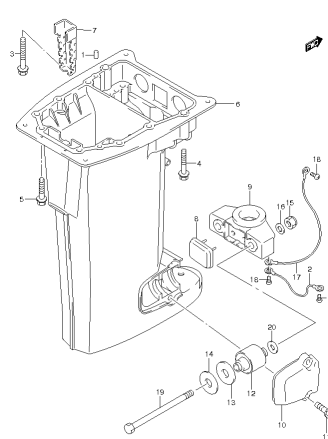
DT40W P40.012_053
SWIVEL BRACKET

FIG.54



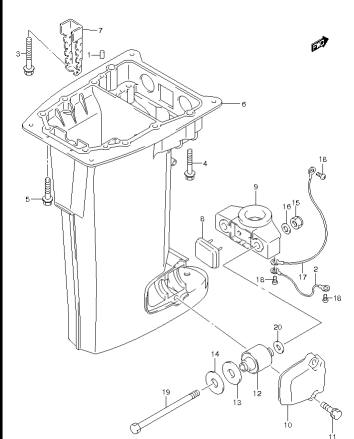
DT40W P40.012_054
SWIVEL BRACKET

FIG.55



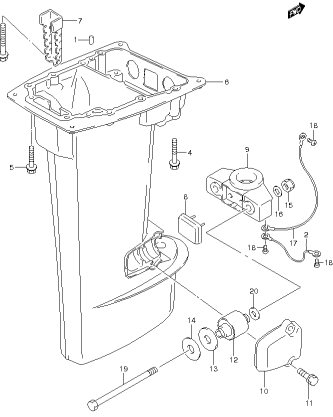
DT40W P40.012_055
DRIVE SHAFT HOUSING

FIG.56



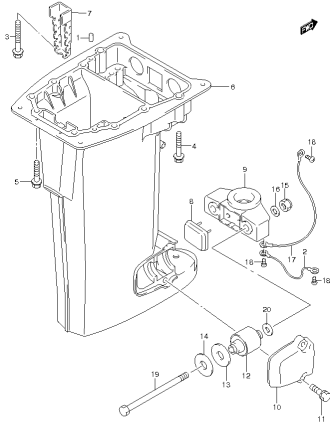
DT40W P40.012_056
DRIVE SHAFT HOUSING

FIG.57



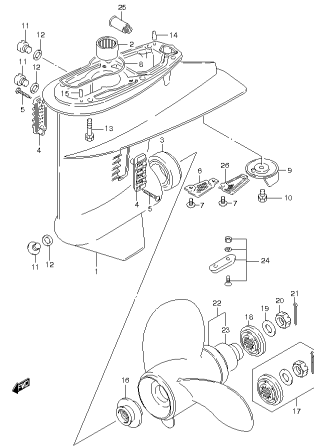
DT40W P40 012_057
DRIVE SHAFT HOUSING

FIG.58



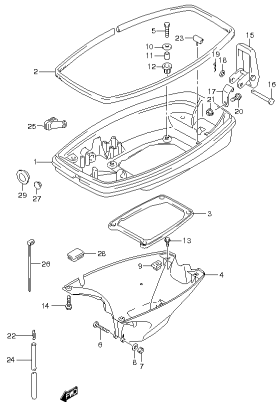
DT40W P40 012_058
DRIVE SHAFT HOUSING

FIG.59



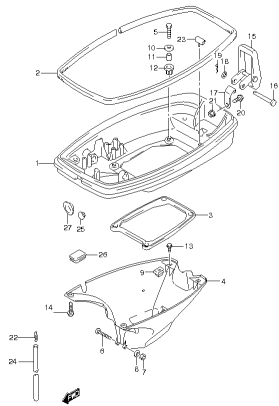
DT40W P40 012_059
GEAR CASE

FIG.60



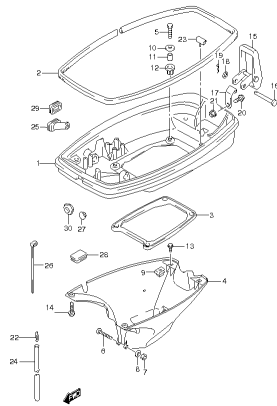
DT40W P40 012_060
LOWER COVER

FIG.61



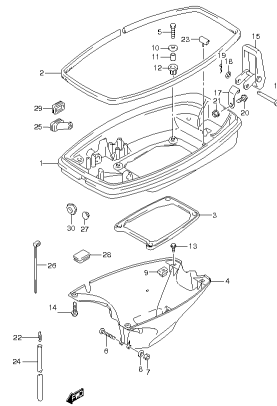
DT40W P40 012_061
LOWER COVER

FIG.62



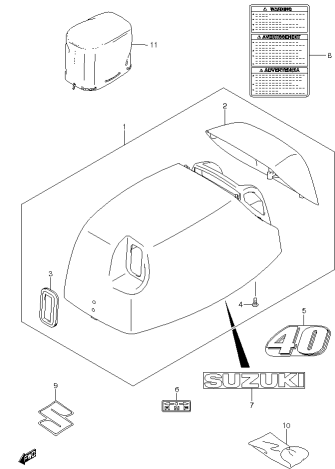
DT40W P40 012_062
LOWER COVER

FIG.63



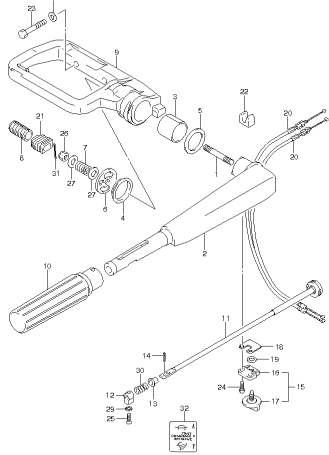
DT40W P40 012_063
LOWER COVER

FIG.64



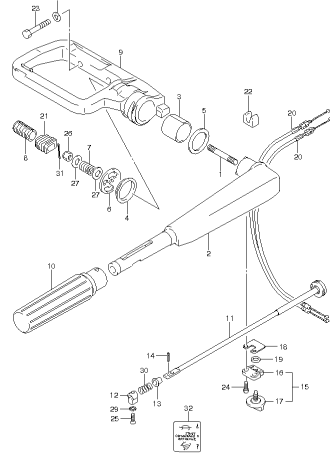
DT40W P40 012_064
ENGINE COVER

FIG.65



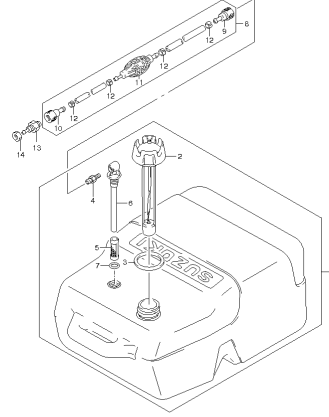
DT40W P40.012_095
TILLER HANDLE

FIG.66



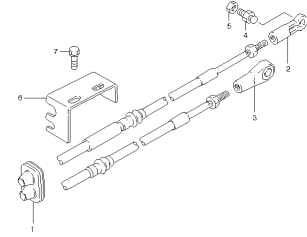
DT40W P40.012_096
TILLER HANDLE

FIG.67



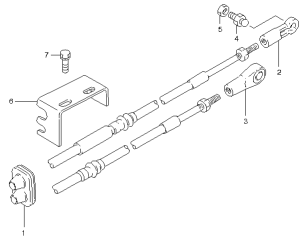
DT40W P40.012_097
FUEL TANK (PLASTIC) TILLER HANDLE

FIG.68



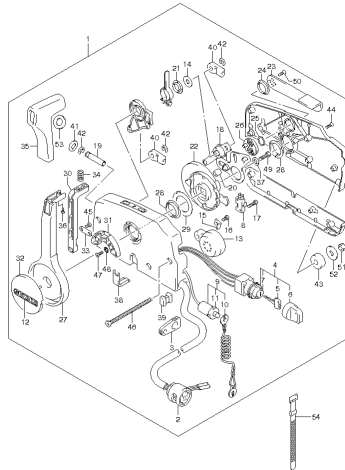
DT40W P40.012_098
REMOTE CONTROL CABLE HOLDER

FIG.69



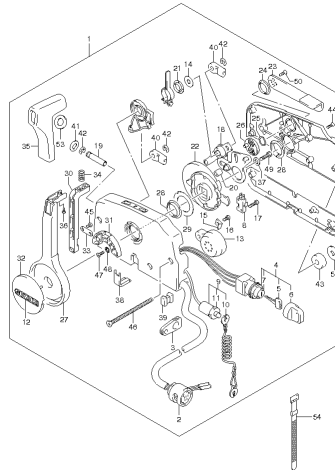
DT40W P40.012_099
REMOTE CONTROL CABLE HOLDER

FIG.70



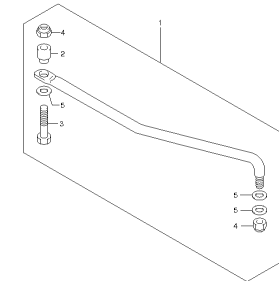
DT40W P40.012_070
REMOTE CONTROL

FIG.71



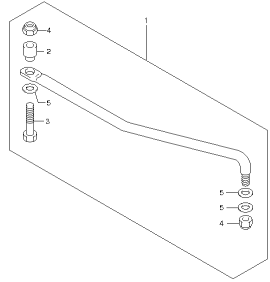
DT40W P40.012_071
REMOTE CONTROL

FIG.72



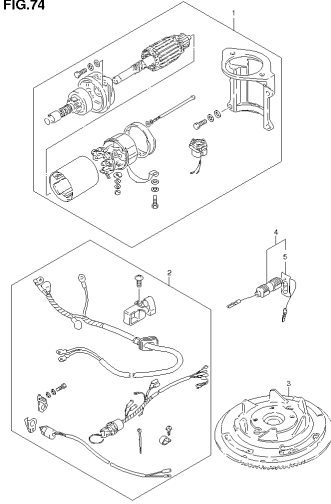
DT40W P40.012_072
DRAG LINK

FIG.73



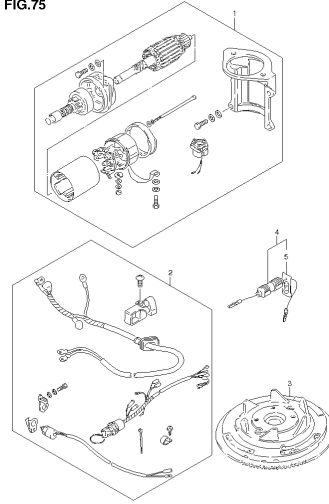
DT40W P40 012_073
DRAG LINK

FIG.74



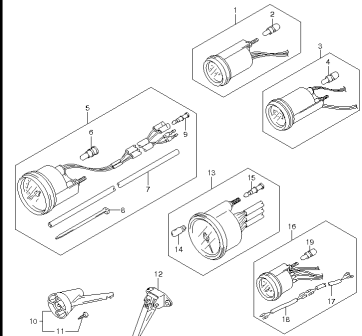
DT40W P40 012_074
OPT - STARTING MOTOR

FIG.75



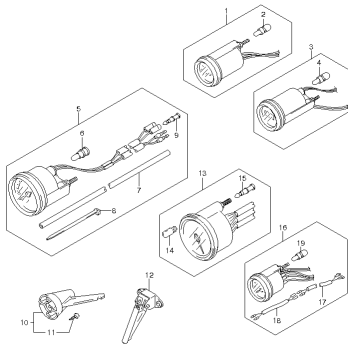
DT40W P40 012_075
OPT - STARTING MOTOR

FIG.76



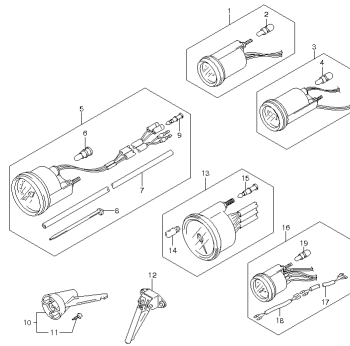
DT40W P40 012_076
OPT - METER

FIG.77



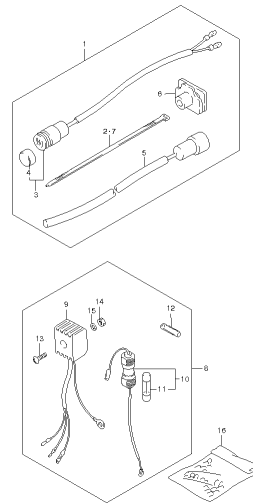
DT40W P40 012_077
OPT - METER

FIG.78



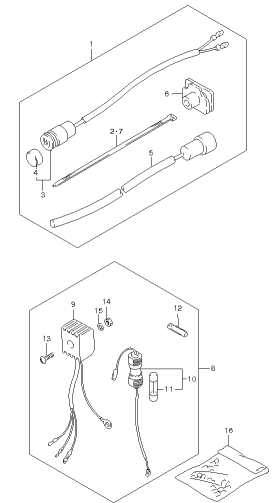
DT40W P40 012_078
OPT - METER

FIG.79



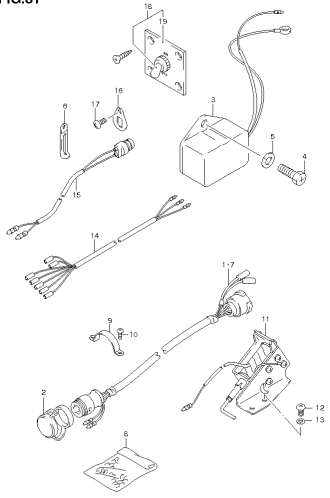
DT40W P40 012_079
OPT - ELECTRICAL (MANUAL STARTER)

FIG.80



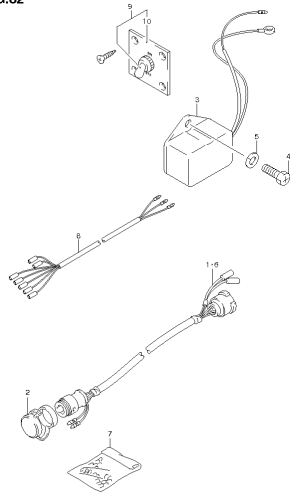
DT40W P40 012_080
OPT - ELECTRICAL (MANUAL STARTER)

FIG.81



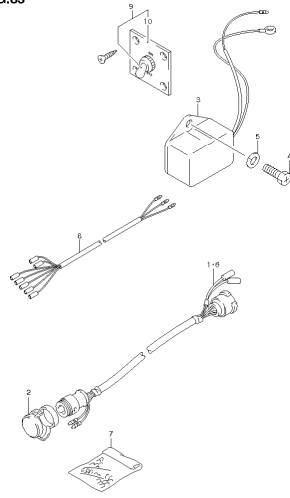
DT40W P40.012_061
OPT - ELECTRICAL (ELECTRIC STARTER)

FIG.82



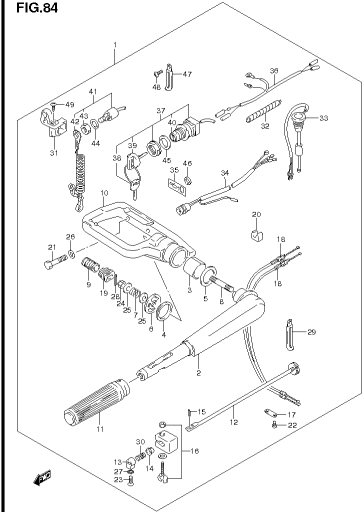
DT40W P40.012_062
OPT - ELECTRICAL (ELECTRIC STARTER)

FIG.83



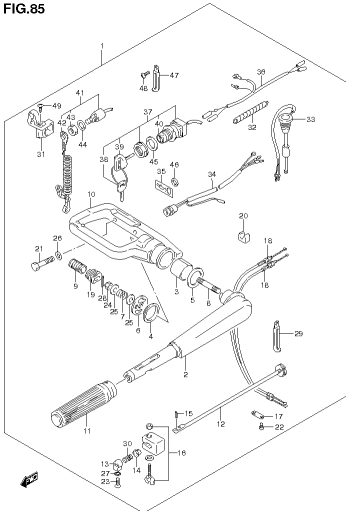
DT40W P40.012_063
OPT - ELECTRICAL (ELECTRIC STARTER)

FIG.84



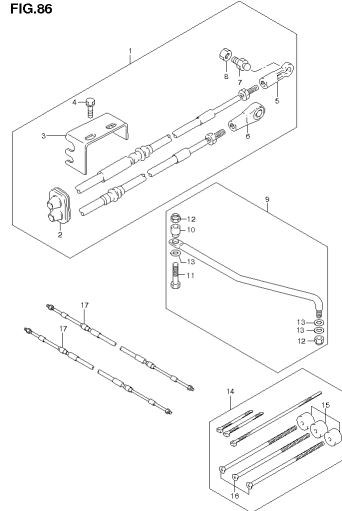
DT40W P40.012_064
OPT - TILLERHANDLE

FIG.85



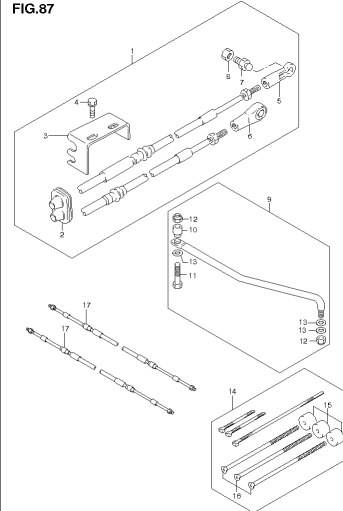
DT40W P40.012_065
OPT - TILLERHANDLE

FIG.86



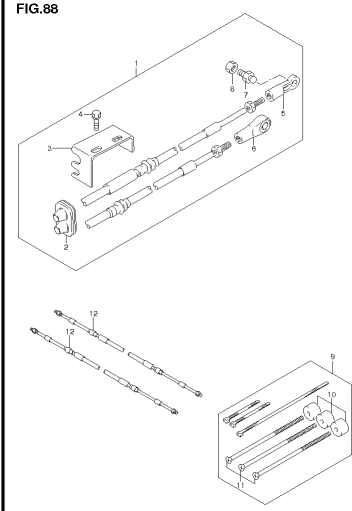
DT40W P40.012_066
OPT - REMOON PARTS

FIG.87



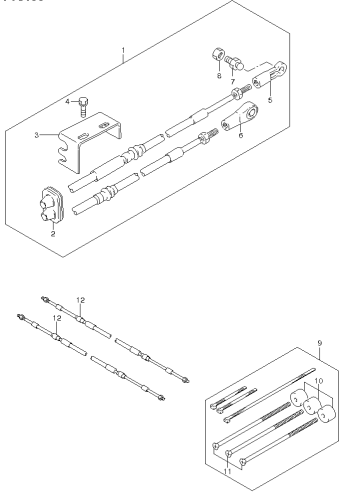
DT40W P40.012_067
OPT - REMOON PARTS

FIG.88



DT40W P40.012_068
OPT - REMOON PARTS

FIG.89



DT40W P40 012_069
DPI - REMOCCO PARTS

FIG.1

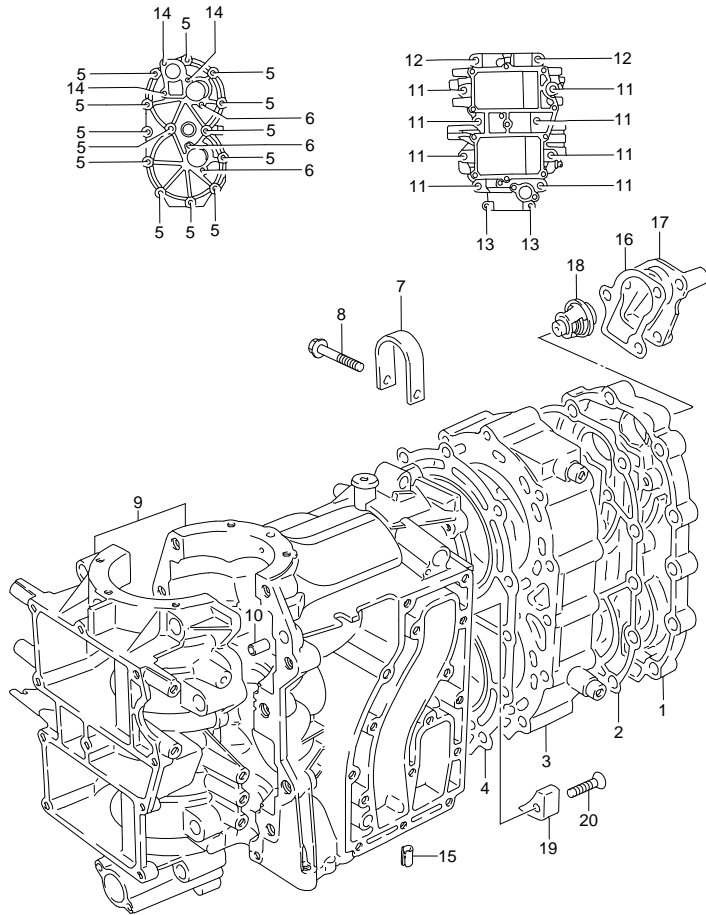


FIG.1 (1-B-2) CYLINDER

REF NO.	PART NO.	DESCRIPTION	Q'TY	REMARKS
1	11161-92L00	COVER, CYLINDER HEAD	1	
2	11162-94410	GASKET, CYLINDER HEAD COVER	1	
3	11111-92L00	HEAD, CYLINDER	1	
4	11141-94450	GASKET, CYLINDER HEAD	1	
5	01560-08757	BOLT	13	
6	09103-06182	BOLT (6X28)	3	
7	11291-94402	HOOK, ENGINE	1	
8	01550-08357	BOLT	1	
9	11300-92L00	CYLINDER ASSY	1	
10	04211-09109	·KNOCK PIN	2	
11	01550-10557	·BOLT	8	
12	01560-10657	·BOLT	2	
13	01550-06407	·BOLT	2	
14	09103-06183	BOLT (6X36)	3	
15	09205-06011	SPRING	1	
16	17685-94410	GASKET, THERMOSTAT COVER	1	
17	17681-92L00	COVER, THERMOSTAT	1	
18	17670-93962	THERMOSTAT (50°C)	1	
19	11281-94410	PROTECTION, ANODE	1	
20	09126-06005	SCREW (6X30)	1	

FIG.2

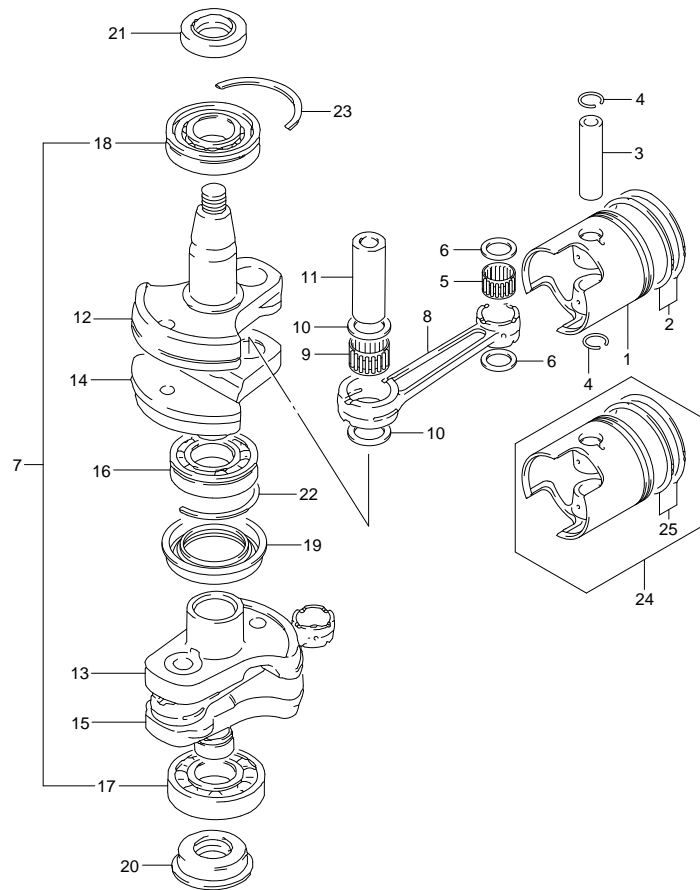


FIG. 2 (1-B-3) CRANKSHAFT

REF NO.	PART NO.	DESCRIPTION	Q' TY	REMARKS
1	12110-94400	PISTON	2	
2	12140-94400	RING SET, PISTON	2	
3	12151-94400	PIN, PISTON	2	
4	09381-20003	CIRCLIP	4	
5	09263-20072	BEARING (20X26X24)	2	
6	09169-20006	WASHER	4	
7	12200-92L00	CRANKSHAFT ASSY	1	
8	12161-94400	·CONNECTING ROD	2	
9	09263-27005	·BEARING (27X37X22)	2	
10	09160-27008	·WASHER (27X36X1)	4	
11	12211-94410	·PIN, CRANK	2	
12	12221-94413	·CRANKSHAFT, UPPER	1	
13	12232-94412	·WHEEL, CRANKSHAFT UNDER	1	
14	12231-94413	·WHEEL, CRANKSHAFT UPPER	1	
15	12240-94432	·CRANKSHAFT, UNDER	1	
16	09262-30068	·BEARING	1	
17	09262-35052	·BEARING (35X72X17)	1	
18	09264-35005	·BEARING (35X80X21)	1	
19	09289-45001	·OIL SEAL (45X72X12)	1	
20	09283-30062	OIL SEAL (30X55X8)	1	
21	09283-35043	OIL SEAL (35X55X7)	1	
22	09390-72008	C RING	1	
23	09390-80002	C RING	1	
24	12100-94400-050	PISTON SET (OS:0.50)	2	OPT
25	12140-94400-050	·RING SET, PISTON (OS:0.50)	2	OPT

FIG.3

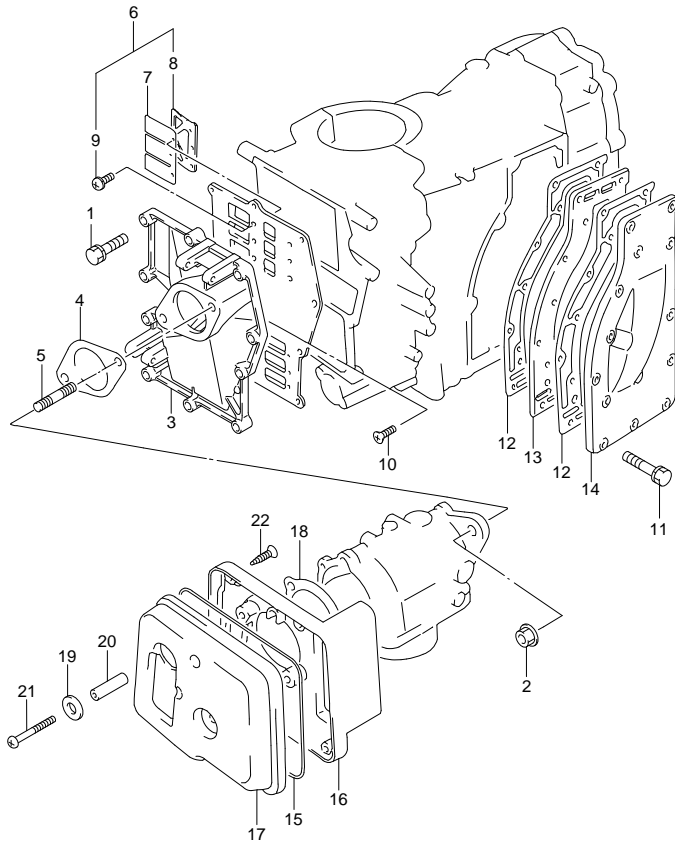


FIG.3 (1-B-4) INLET CASE

REF NO.	PART NO.	DESCRIPTION	Q'TY	REMARKS
1	01550-06307	BOLT	10	
2	08316-10087	NUT	2	
3	13111-92L00	CASE, INLET	1	
4	13125-95210	GASKET, CARBURETOR	1	
5	01411-0820A	STUD BOLT	2	
6	13150-92L00	VALVE ASSY, REED	1	
7	13153-92L00	·VALVE, REED	4	
8	13152-92L00	·STOPPER, REED VALVE	4	
9	02112-3306A	·SCREW	12	
10	02122-06167	SCREW	1	
11	01550-06307	BOLT	16	
12	14151-94411	GASKET, EXHAUST COVER	2	
13	14131-92L00	PLATE, EXHAUST	1	
14	14141-92L00	COVER, EXHAUST	1	
15	09280-63001	O RING (D:1.9,ID:63.1)	1	
16	13811-94420	CASE, SILENCER	1	
17	13812-94410	COVER, SILENCER	1	
18	13855-95210	GASKET, SILENCER	1	
19	09160-06066	WASHER (6.5X20X1.6)	2	
20	09180-06254	SPACER (6.1X8X34)	2	
21	09125-06089	SCREW (6X45)	2	
22	03222-0520B	SCREW	5	

FIG.4

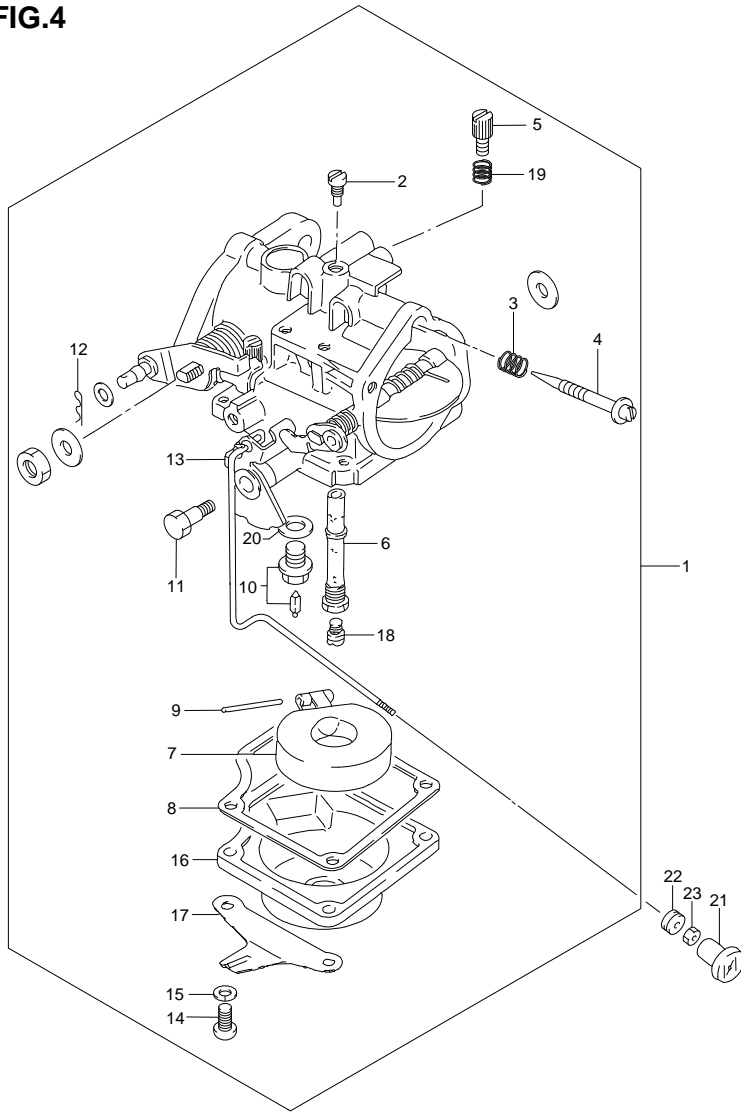


FIG. 4 (1-B-5) CARBURETOR

REF NO.	PART NO.	DESCRIPTION	Q' TY	REMARKS
1	13200-944J0	CARBURETOR ASSY	1	
2	09492-67004	·JET, PILOT	1	
3	13271-93311	·SPRING, AIR SCREW	1	
4	13269-95210	·SCREW, PILOT AIR	1	
5	13267-93900	·SCREW	1	
6	13235-94400	·NOZZLE	1	
7	13250-93012	·FLOAT	1	
8	13251-95220	·GASKET, FLOAT CHAMBER	1	
9	13254-98300	·PIN, FLOAT	1	
10	13370-97E20	·VALVE ASSY, NEEDLE	1	
11	13613-94300	·BOLT	1	
12	13464-96350	·PIN	1	
13	13580-94400	·LEVER ASSY	1	
14	02112-05167	·SCREW	4	
15	08321-0105A	·LOCK WASHER	4	
16	13245-94400	·CHAMBER, FLOAT	1	
17	13426-95211	·PLATE, SPRING	1	
18	09491-38007	·JET, MAIN (190)	1	
19	13268-96111	·SPRING	1	
20	13392-58600	·GASKET, VALVE SEAT	1	
21	13631-93501	KNOB, STARTER	1	
22	09320-04009	BUSH	1	
23	09140-04007	NUT	1	
24	13910-94400	REPAIR KIT, CARBURETOR	1	OPT NOT ILLUSTRATED

FIG.5

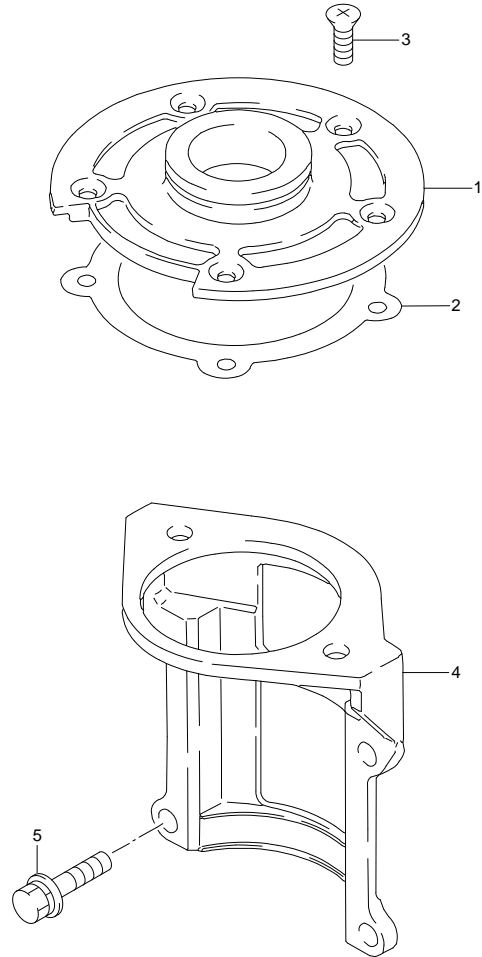


FIG. 5 (1-B-6) OIL SEAL HOUSING (DT40W P40)

REF NO.	PART NO.	DESCRIPTION	Q' TY	REMARKS
1	11411-92L00	HOUSING, UPPER OIL SEAL	1	
2	11413-94411	GASKET, UPPER OIL SEAL	1	
3	09126-06022	SCREW (6X16)	5	
4	31911-92L00	BRACKET, STARTING MOTOR	1	W/ELECTRIC STARTER
5	01550-08257	BOLT	4	W/ELECTRIC STARTER

FIG.6

FIG.6 (1-B-7) OIL SEAL HOUSING (DT40W P90)

REF NO.	PART NO.	DESCRIPTION	Q' TY	REMARKS
1	11411-92L00	HOUSING, UPPER OIL SEAL	1	
2	11413-94411	GASKET, UPPER OIL SEAL	1	
3	09126-06022	SCREW (6X16)	5	

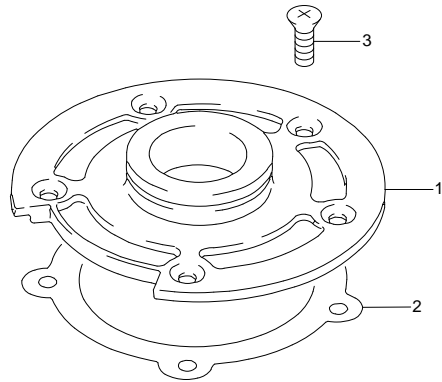


FIG.7

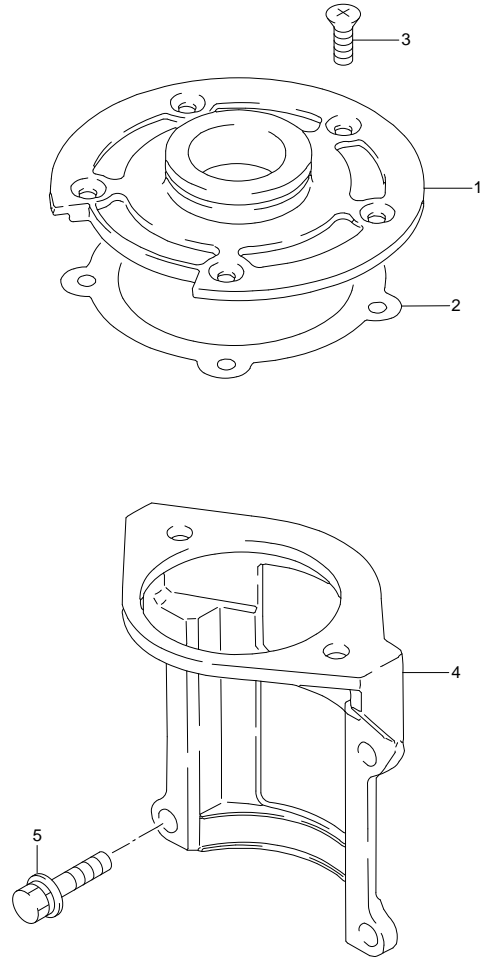


FIG.7 (1-B-8) OIL SEAL HOUSING (DT40WR P40)

REF NO.	PART NO.	DESCRIPTION	Q' TY	REMARKS
1	11411-92L00	HOUSING, UPPER OIL SEAL	1	
2	11413-94411	GASKET, UPPER OIL SEAL	1	
3	09126-06022	SCREW (6X16)	5	
4	31911-92L00	BRACKET, STARTING MOTOR	1	
5	01550-08257	BOLT	4	

FIG.8

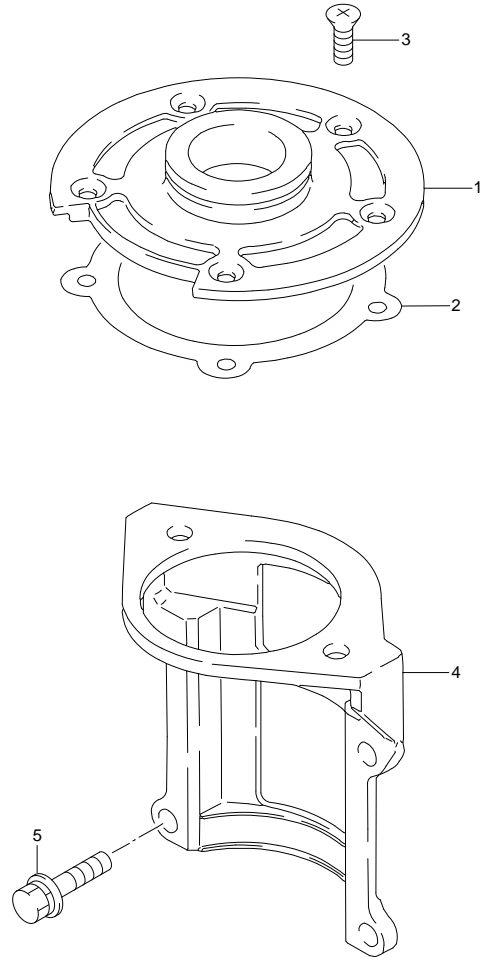


FIG. 8 (1-B-9) OIL SEAL HOUSING (DT40WR P90)

REF NO.	PART NO.	DESCRIPTION	Q' TY	REMARKS
1	11411-92L00	HOUSING, UPPER OIL SEAL	1	
2	11413-94411	GASKET, UPPER OIL SEAL	1	
3	09126-06022	SCREW (6X16)	5	
4	31911-92L00	BRACKET, STARTING MOTOR	1	
5	01550-08257	BOLT	4	

FIG.9

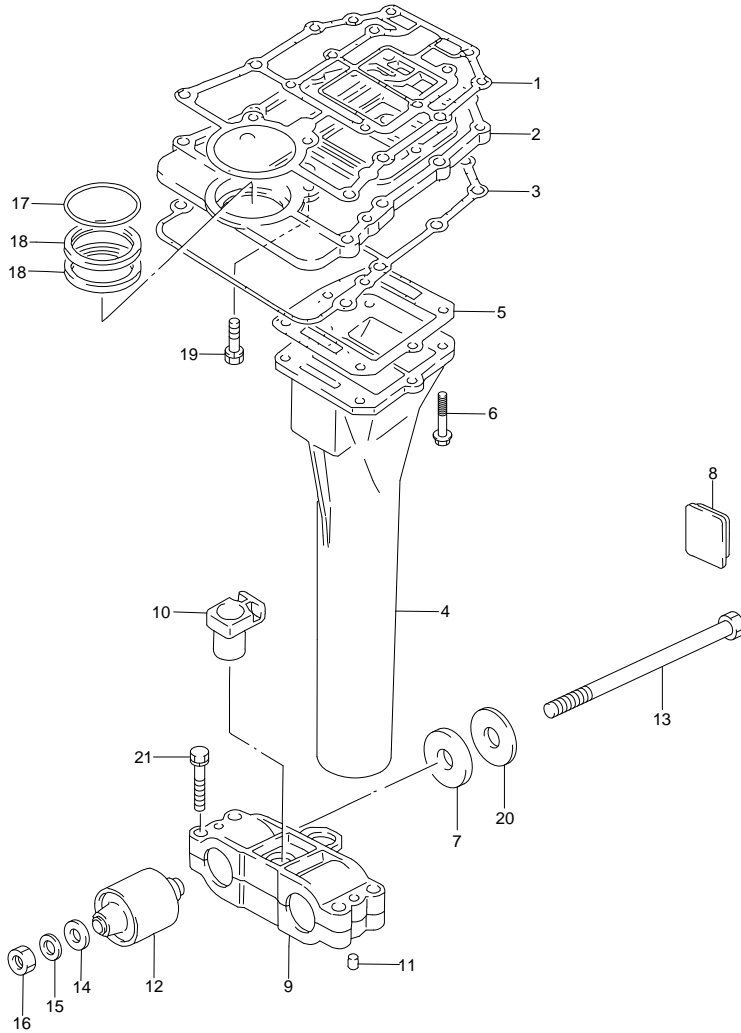


FIG. 9 (1-B-10) EXHAUST TUBE (DT40W P40)

REF NO.	PART NO.	DESCRIPTION	Q'TY	REMARKS
1	11433-94412	GASKET, UNDER OIL SEAL	1	
2	11431-92L00	HOUSING, UNDER OIL SEAL	1	
3	11434-94411	GASKET, UNDER OIL SEAL LOWER	1	
4-1	14211-92L10	TUBE, EXHAUST (S/L)	1	
4-2	14211-92L00	TUBE, EXHAUST (L2)	1	
5	14212-94413	GASKET, EXHAUST TUBE	1	
6	29103-94400	BOLT (6X35)	6	
7	54121-94401	STOPPER, UPPER THRUST	2	
8	54125-94400	MOUNT, UPPER THRUST REVERSE	1	
9	54137-92L00	CASE, UPPER MOUNT	2	
10	54146-94400	GUIDE, UPPER MOUNT CASE	1	
11	09202-07001	PIN	2	
12	54130-94411	MOUNT, UPPER	2	
13	09100-10217	BOLT (10X150)	2	
14	09160-10148	WASHER (10X20X3)	2	
15	09160-10082	WASHER (10.5X19X2)	2	
16	09159-10050	NUT	2	
17	09280-50008	O RING (D:3.1, ID:49.4)	1	
18	09282-17009	OIL SEAL (17X28X6)	2	
19	29116-94400	BOLT (6X20)	2	
20	09160-10080	WASHER (10.2X44X3)	2	
21	29117-93J10	BOLT (8X45)	4	

FIG.10

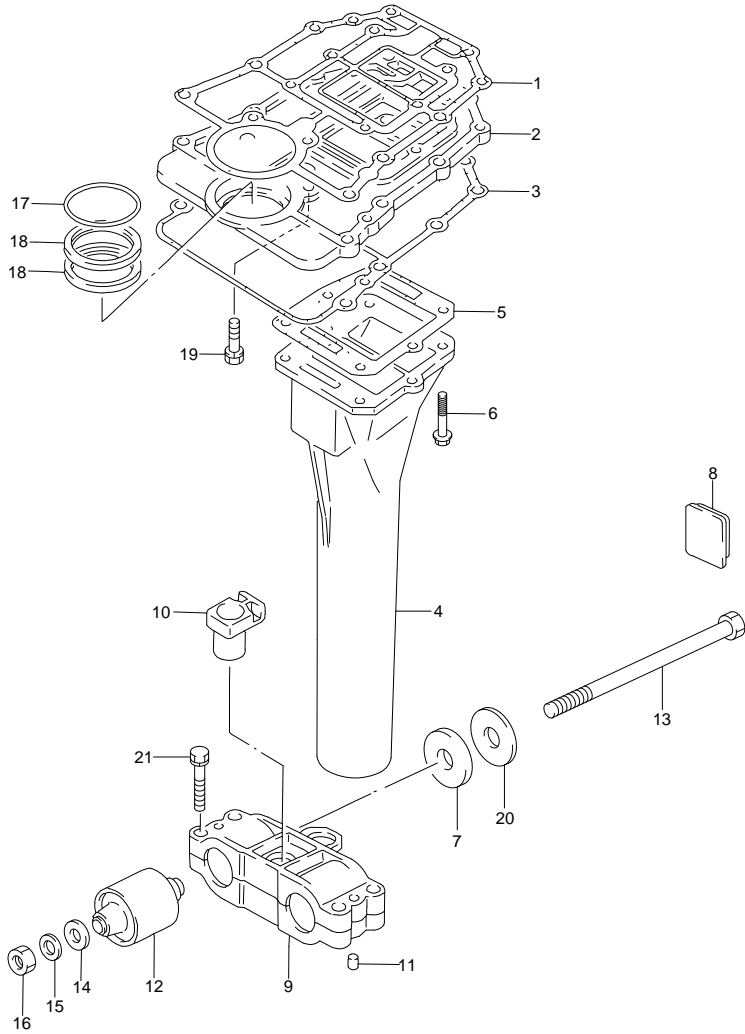


FIG. 10 (1-B-11) EXHAUST TUBE (DT40W P90)

REF NO.	PART NO.	DESCRIPTION	Q'TY	REMARKS
1	11433-94412	GASKET, UNDER OIL SEAL	1	
2	11431-92L00	HOUSING, UNDER OIL SEAL	1	
3	11434-94411	GASKET, UNDER OIL SEAL LOWER	1	
4	14211-92L10	TUBE, EXHAUST (S/L)	1	
5	14212-94413	GASKET, EXHAUST TUBE	1	
6	29103-94400	BOLT (6X35)	6	
7	54121-94401	STOPPER, UPPER THRUST	2	
8	54125-94400	MOUNT, UPPER THRUST REVERSE	1	
9	54137-92L00	CASE, UPPER MOUNT	2	
10	54146-94400	GUIDE, UPPER MOUNT CASE	1	
11	09202-07001	PIN	2	
12	54130-94411	MOUNT, UPPER	2	
13	09100-10217	BOLT (10X150)	2	
14	09160-10148	WASHER (10X20X3)	2	
15	09160-10082	WASHER (10.5X19X2)	2	
16	09159-10050	NUT	2	
17	09280-50008	O RING (D:3.1, ID:49.4)	1	
18	09282-17009	OIL SEAL (17X28X6)	2	
19	29116-94400	BOLT (6X20)	2	
20	09160-10080	WASHER (10.2X44X3)	2	
21	29117-93J10	BOLT (8X45)	4	

FIG.11

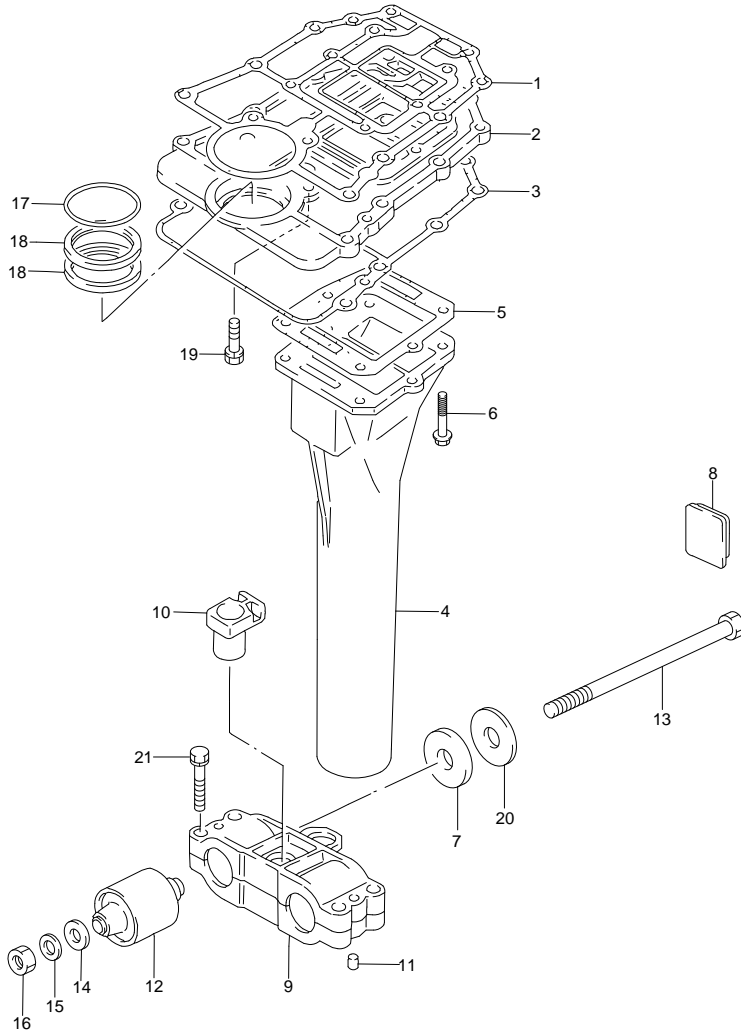


FIG. 11 (1-B-12) EXHAUST TUBE (DT40WR P40)

REF NO.	PART NO.	DESCRIPTION	Q'TY	REMARKS
1	11433-94412	GASKET, UNDER OIL SEAL	1	
2	11431-92L00	HOUSING, UNDER OIL SEAL	1	
3	11434-94411	GASKET, UNDER OIL SEAL LOWER	1	
4-1	14211-92L10	TUBE, EXHAUST (S/L)	1	
4-2	14211-92L00	TUBE, EXHAUST (L2)	1	
5	14212-94413	GASKET, EXHAUST TUBE	1	
6	29103-94400	BOLT (6X35)	6	
7	54121-94401	STOPPER, UPPER THRUST	2	
8	54125-94400	MOUNT, UPPER THRUST REVERSE	1	
9	54137-92L00	CASE, UPPER MOUNT	2	
10	54146-94400	GUIDE, UPPER MOUNT CASE	1	
11	09202-07001	PIN	2	
12	54130-94411	MOUNT, UPPER	2	
13	09100-10217	BOLT (10X150)	2	
14	09160-10148	WASHER (10X20X3)	2	
15	09160-10082	WASHER (10.5X19X2)	2	
16	09159-10050	NUT	2	
17	09280-50008	O RING (D:3.1, ID:49.4)	1	
18	09282-17009	OIL SEAL (17X28X6)	2	
19	29116-94400	BOLT (6X20)	2	
20	09160-10080	WASHER (10.2X44X3)	2	
21	29117-93J10	BOLT (8X45)	4	

FIG.12

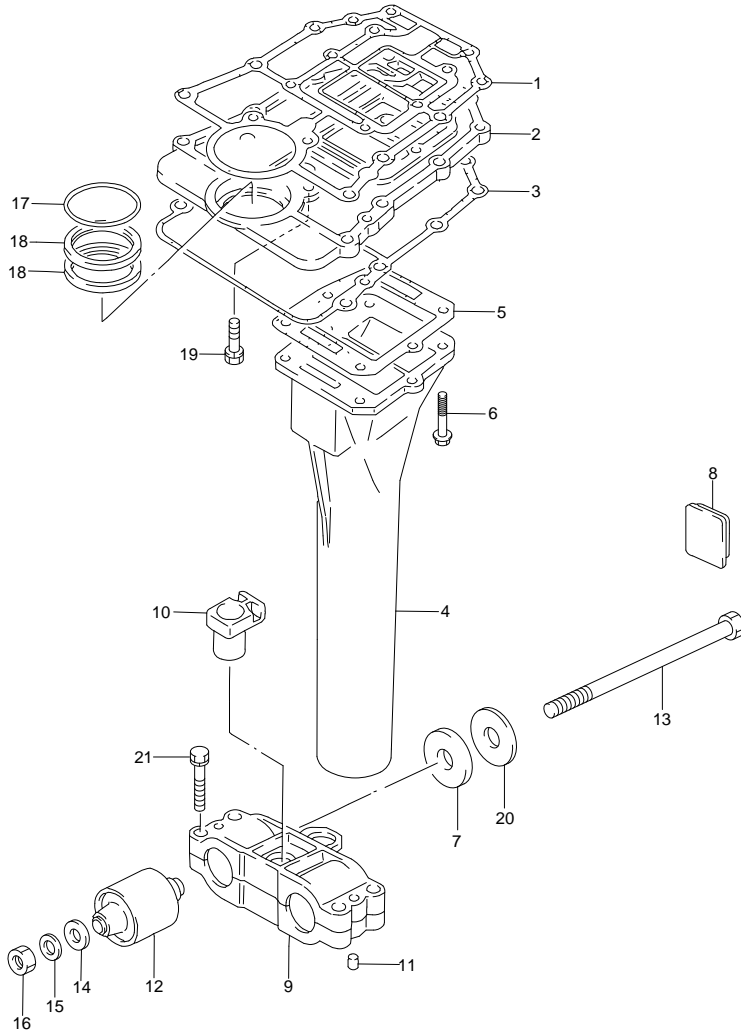


FIG.12 (1-B-13) EXHAUST TUBE (DT40WR P90)

REF NO.	PART NO.	DESCRIPTION	Q'TY	REMARKS
1	11433-94412	GASKET, UNDER OIL SEAL	1	
2	11431-92L00	HOUSING, UNDER OIL SEAL	1	
3	11434-94411	GASKET, UNDER OIL SEAL LOWER	1	
4	14211-92L10	TUBE, EXHAUST (S/L)	1	
5	14212-94413	GASKET, EXHAUST TUBE	1	
6	29103-94400	BOLT (6X35)	6	
7	54121-94401	STOPPER, UPPER THRUST	2	
8	54125-94400	MOUNT, UPPER THRUST REVERSE	1	
9	54137-92L00	CASE, UPPER MOUNT	2	
10	54146-94400	GUIDE, UPPER MOUNT CASE	1	
11	09202-07001	PIN	2	
12	54130-94411	MOUNT, UPPER	2	
13	09100-10217	BOLT (10X150)	2	
14	09160-10148	WASHER (10X20X3)	2	
15	09160-10082	WASHER (10.5X19X2)	2	
16	09159-10050	NUT	2	
17	09280-50008	O RING (D:3.1, ID:49.4)	1	
18	09282-17009	OIL SEAL (17X28X6)	2	
19	29116-94400	BOLT (6X20)	2	
20	09160-10080	WASHER (10.2X44X3)	2	
21	29117-93J10	BOLT (8X45)	4	

FIG.13

FIG.13 (1-B-14) FUEL PUMP

REF NO.	PART NO.	DESCRIPTION	Q' TY	REMARKS
1	15100-94311	PUMP, FUEL	1	
2	15170-94320	·DIAPHRAGM SET	1	
3	15183-94301	·SCREW	2	
4	15186-94300	·NUT	2	
5	15851-94300	·SCREW	3	
6	15321-99710	GASKET, FUEL PUMP	1	
7	15410-94400	FILTER ASSY, FUEL	1	
8	15413-87D10	·CUP	1	
9	15430-87D10	·ELEMENT SET	1	
10	09352-50903-600	HOSE (5X9X600)	1	L:600->110 (PUMP TO CARB)
11	09352-50903-600	HOSE (5X9X600)	1	L:600->135 (FILTER TO PUMP)
12	09352-50903-600	HOSE (5X9X600)	1	L:600->400 (CONN TO FILTER)
13	09401-08413	CLIP	6	
14	29404-93J10	CLAMP	1	
15	01570-06407	BOLT	2	
16	08316-10087	NUT	1	

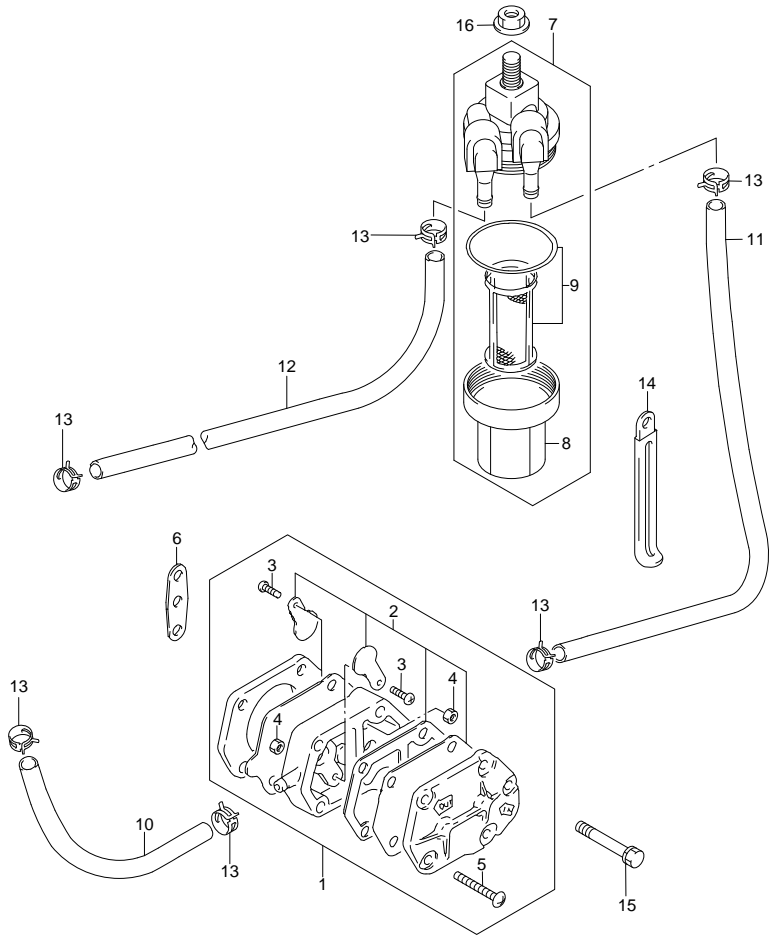


FIG.14

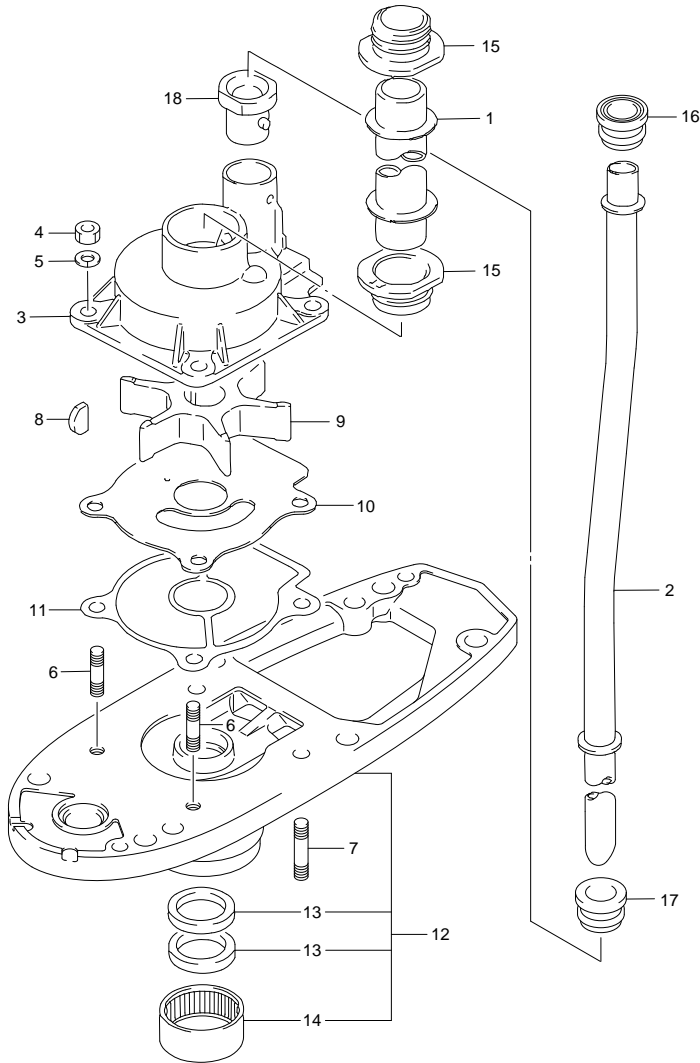


FIG. 14 (1-B-15) WATER PUMP (DT40W P40)

REF. NO.	PART NO.	DESCRIPTION	Q' TY	REMARKS
1-1	17431-94411	TUBE, WATER PUMP SEAL (S)	1	L:21
1-2	17431-94441	TUBE, WATER PUMP SEAL (L)	1	L:126
1-3	17431-94401	TUBE, WATER PUMP SEAL (L2)	1	L:173
2-1	17561-92L00	TUBE, WATER (S)	1	L:366
2-2	17561-92L10	TUBE, WATER (L)	1	L:446
2-3	17561-92L20	TUBE, WATER (L2)	1	L:493
3	17410-94431	CASE, WATER PUMP	1	
4	29141-93J00	NUT	4	
5	29162-93J00	LOCK WASHER	4	
6	09108-06060	STUD BOLT	2	
7	09108-06061	STUD BOLT	2	
8	09420-04006	KEY	1	
9	17461-96312	IMPELLER, WATER PUMP	1	
10	17471-94411	PANEL, PUMP CASE UNDER	1	
11	17472-96303	GASKET, PUMP CASE UNDER	1	
12	56130-92L00-0EP	HOUSING, DRIVE SHAFT BEARING	1	
13	09282-17005	·OIL SEAL (17X32X6)	2	
14	09263-25025	·BEARING (25X33X15)	1	
15	17432-96300	GROMMET, WATER PUMP SEAL TUBE	2	
16	17563-94400	GROMMET, WATER TUBE, UPPER	1	
17	17565-94400	GROMMET, WATER TUBE, MIDDLE	1	
18	17566-94400	GROMMET, WATER TUBE, LOWER	1	

FIG.15

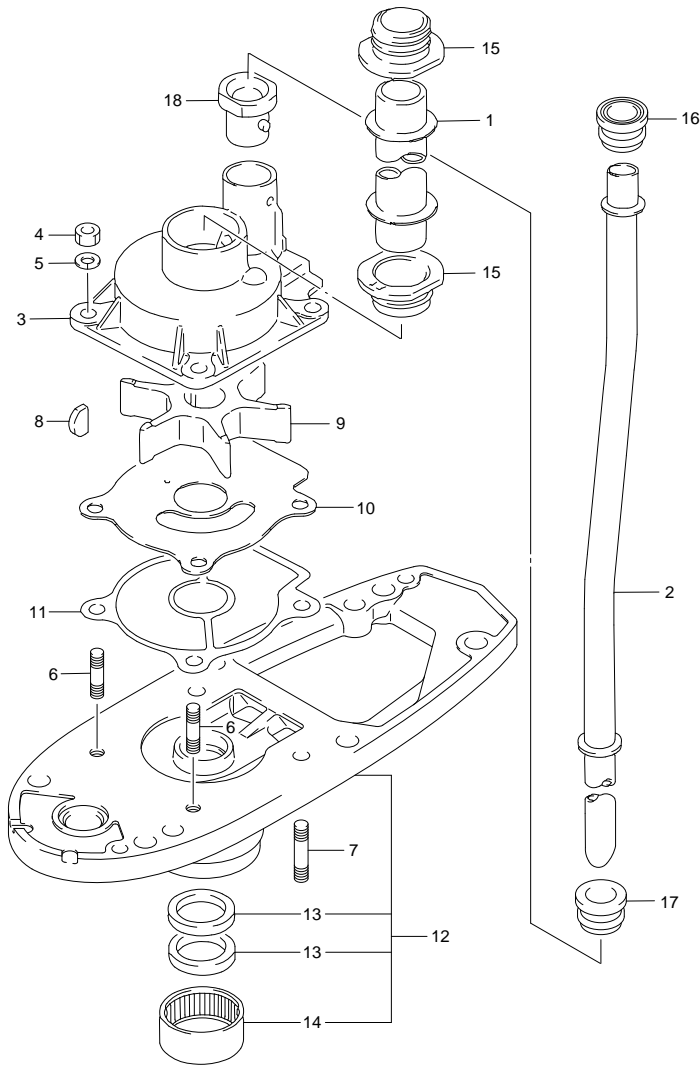


FIG. 15 (1-C-2) WATER PUMP (DT40W P90)

REF NO.	PART NO.	DESCRIPTION	Q'TY	REMARKS
1	17431-94411	TUBE, WATER PUMP SEAL (S)	1	L:21
2	17561-92L00	TUBE, WATER (S)	1	L:366
3	17410-94431	CASE, WATER PUMP	1	
4	29141-93J00	NUT	4	
5	29162-93J00	LOCK WASHER	4	
6	09108-06060	STUD BOLT	2	
7	09108-06061	STUD BOLT	2	
8	09420-04006	KEY	1	
9	17461-96312	IMPELLER, WATER PUMP	1	
10	17471-94411	PANEL, PUMP CASE UNDER	1	
11	17472-96303	GASKET, PUMP CASE UNDER	1	
12	56130-92L00-0EP	HOUSING, DRIVE SHAFT BEARING	1	
13	09282-17005	·OIL SEAL (17X32X6)	2	
14	09263-25025	·BEARING (25X33X15)	1	
15	17432-96300	GROMMET, WATER PUMP SEAL TUBE	2	
16	17563-94400	GROMMET, WATER TUBE, UPPER	1	
17	17565-94400	GROMMET, WATER TUBE, MIDDLE	1	
18	17566-94400	GROMMET, WATER TUBE, LOWER	1	

FIG.16

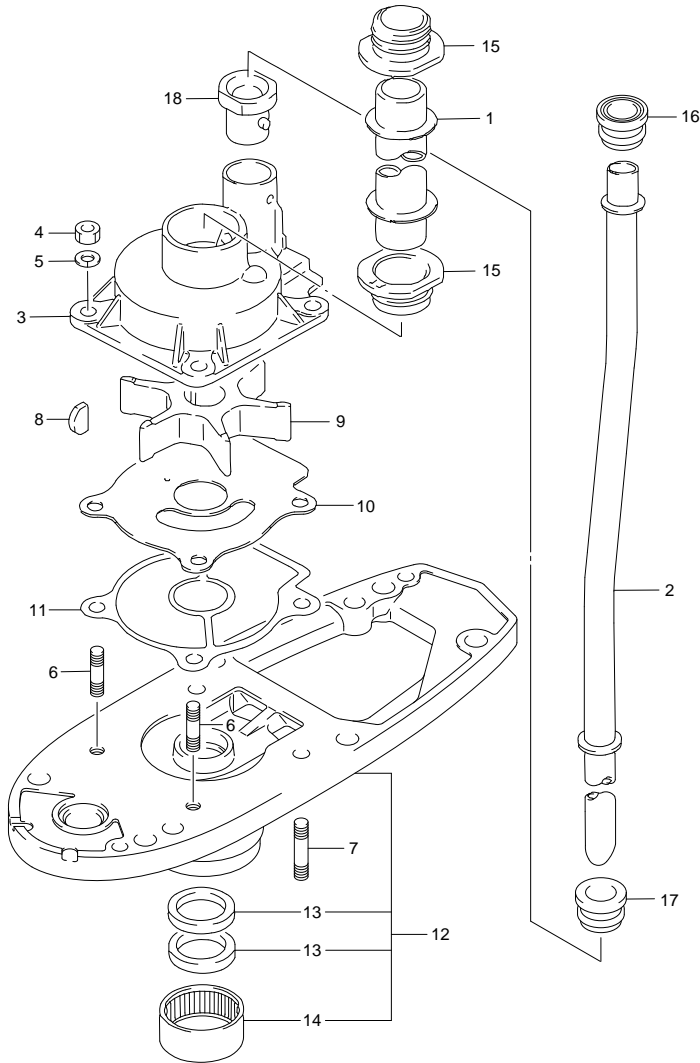


FIG. 16 (1-C-3) WATER PUMP (DT40WR P40)

REF NO.	PART NO.	DESCRIPTION	Q' TY	REMARKS
1-1	17431-94441	TUBE, WATER PUMP SEAL (L)	1	L:126
1-2	17431-94401	TUBE, WATER PUMP SEAL (L2)	1	L:173
2-1	17561-92L10	TUBE, WATER (L)	1	L:446
2-2	17561-92L20	TUBE, WATER (L2)	1	L:493
3	17410-94431	CASE, WATER PUMP	1	
4	29141-93J00	NUT	4	
5	29162-93J00	LOCK WASHER	4	
6	09108-06060	STUD BOLT	2	
7	09108-06061	STUD BOLT	2	
8	09420-04006	KEY	1	
9	17461-96312	IMPELLER, WATER PUMP	1	
10	17471-94411	PANEL, PUMP CASE UNDER	1	
11	17472-96303	GASKET, PUMP CASE UNDER	1	
12	56130-92L00-0EP	HOUSING, DRIVE SHAFT BEARING	1	
13	09282-17005	OIL SEAL (17X32X6)	2	
14	09263-25025	BEARING (25X33X15)	1	
15	17432-96300	GROMMET, WATER PUMP SEAL TUBE	2	
16	17563-94400	GROMMET, WATER TUBE, UPPER	1	
17	17565-94400	GROMMET, WATER TUBE, MIDDLE	1	
18	17566-94400	GROMMET, WATER TUBE, LOWER	1	

FIG.17

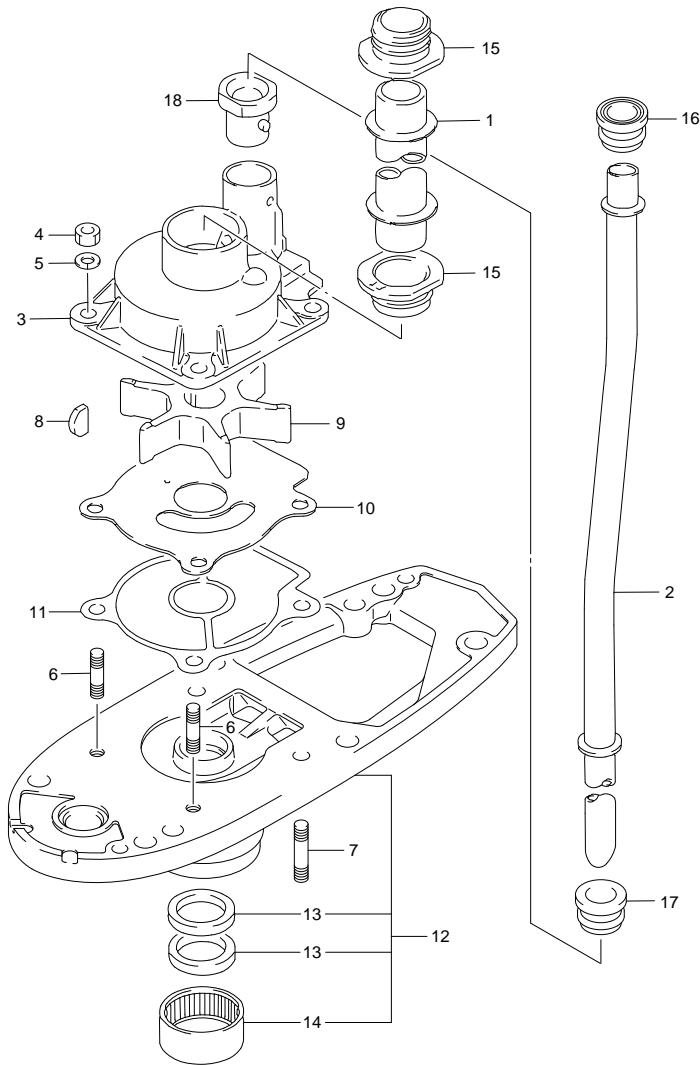


FIG.17 (1-C-4) WATER PUMP (DT40WR P90)

REF NO.	PART NO.	DESCRIPTION	Q'TY	REMARKS
1	17431-94411	TUBE, WATER PUMP SEAL (S)	1	L:21
2	17561-92L00	TUBE, WATER (S)	1	L:366
3	17410-94431	CASE, WATER PUMP	1	
4	29141-93J00	NUT	4	
5	29162-93J00	LOCK WASHER	4	
6	09108-06060	STUD BOLT	2	
7	09108-06061	STUD BOLT	2	
8	09420-04006	KEY	1	
9	17461-96312	IMPELLER, WATER PUMP	1	
10	17471-94411	PANEL, PUMP CASE UNDER	1	
11	17472-96303	GASKET, PUMP CASE UNDER	1	
12	56130-92L00-0EP	HOUSING, DRIVE SHAFT BEARING	1	
13	09282-17005	·OIL SEAL (17X32X6)	2	
14	09263-25025	·BEARING (25X33X15)	1	
15	17432-96300	GROMMET, WATER PUMP SEAL TUBE	2	
16	17563-94400	GROMMET, WATER TUBE, UPPER	1	
17	17565-94400	GROMMET, WATER TUBE, MIDDLE	1	
18	17566-94400	GROMMET, WATER TUBE, LOWER	1	

FIG.18

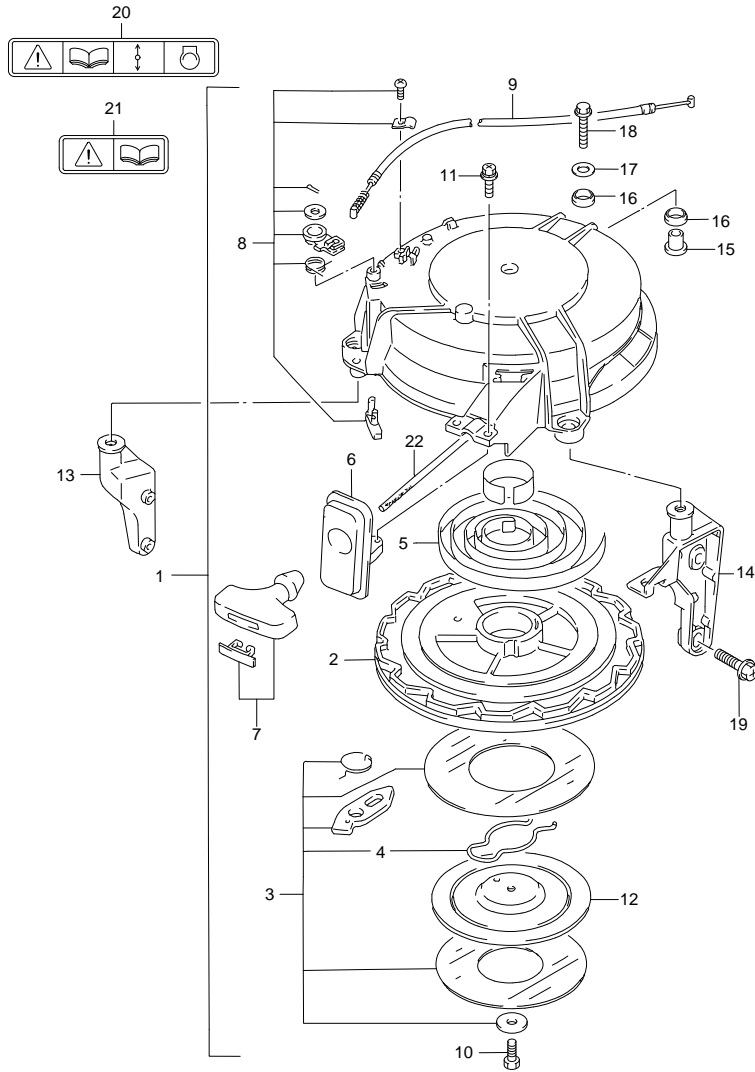


FIG.18 (1-C-5) RECOIL STARTER

REF NO.	PART NO.	DESCRIPTION	QTY	REMARKS
1	18100-94430	STARTER ASSY, RECOIL	1	
2	18121-94410	·REEL	1	
3	18130-94400	·RATCHET SET	1	
4	18153-94410	··SPRING, FRICTION	1	
5	18142-95210	·SPRING, SPIRAL	1	
6	18191-94410	·GUIDE, ROPE	1	
7	18210-93002	·GRIP	1	
8	18280-94400	·NSI SET	1	
9	18290-94400	·CABLE, NSI	1	
10	01500-06207	·BOLT	1	
11	01580-06207	·BOLT	2	
12	18151-94410	·PLATE, FRICTION	1	
13	18711-92L00	BRACE, STBD	1	
14	18721-92L00	BRACE, PORT	1	
15	09180-08169	SPACER (8.6X12X17)	3	
16	09320-12059	CUSHION	6	
17	09160-08054	WASHER (8.5X20X1.6)	3	
18	01550-08357	BOLT	3	
19	02162-06257	BOLT	4	
20	69711-93E10	LABEL, CAUTION	1	
21	69712-93E10	LABEL, CAUTION	1	
22	99000-81159-50M	ROPE (L:50000)	1	OPT L:50000->1750

FIG.19

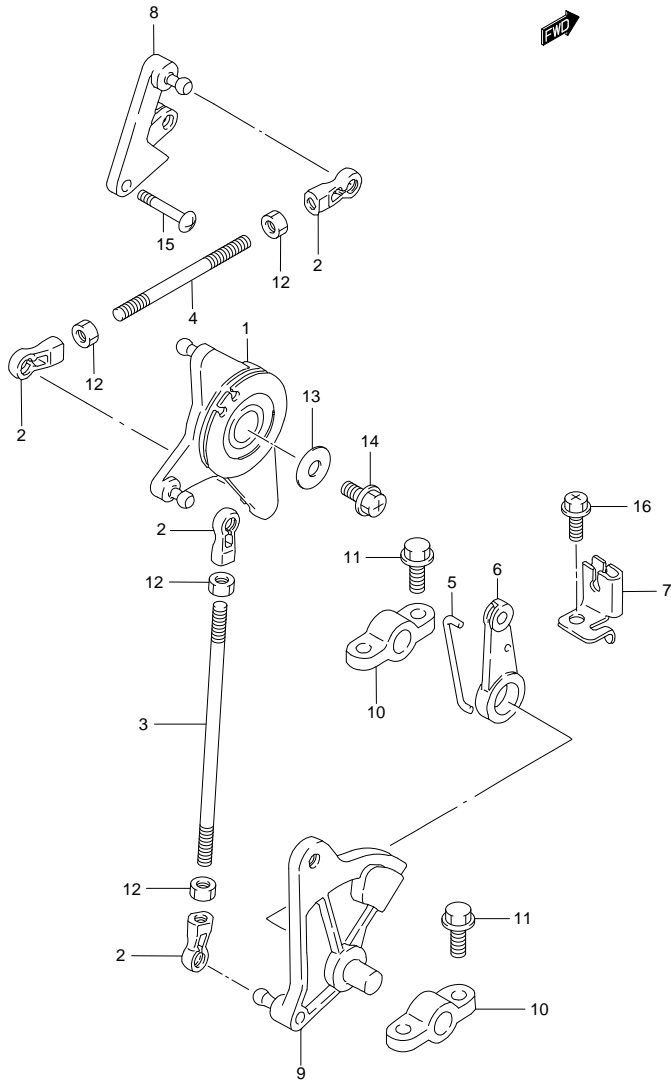


FIG. 19 (1-C-6) THROTTLE CONTROL

REF NO.	PART NO.	DESCRIPTION	Q' TY	REMARKS
1	19121-94400	LEVER, THROTTLE CONTROL	1	
2	19131-95502	CONNECTOR	4	
3	19135-94400	ROD (LEVER TO LIMITER)	1	
4	19136-95510	ROD, THROTTLE	1	
5	19654-94421	ROD (CLUTCH TO NSI LEVER)	1	
6	19851-94401	LEVER, NSI	1	
7	19861-96301	STAY, NSI CABLE	1	
8	19522-94400	LEVER, THROTTLE	1	
9	19811-94400	LIMITER, THROTTLE	1	
10	19815-94400	HOLDER, THROTTLE LIMITER	2	
11	09103-06048	BOLT (6X20)	4	
12	09140-05005	NUT	4	
13	09160-06084	WASHER (6.5X18X1.6)	1	
14	02162-06127	BOLT	1	
15	02142-05307	SCREW	1	
16	02162-06127	BOLT	1	

FIG.20

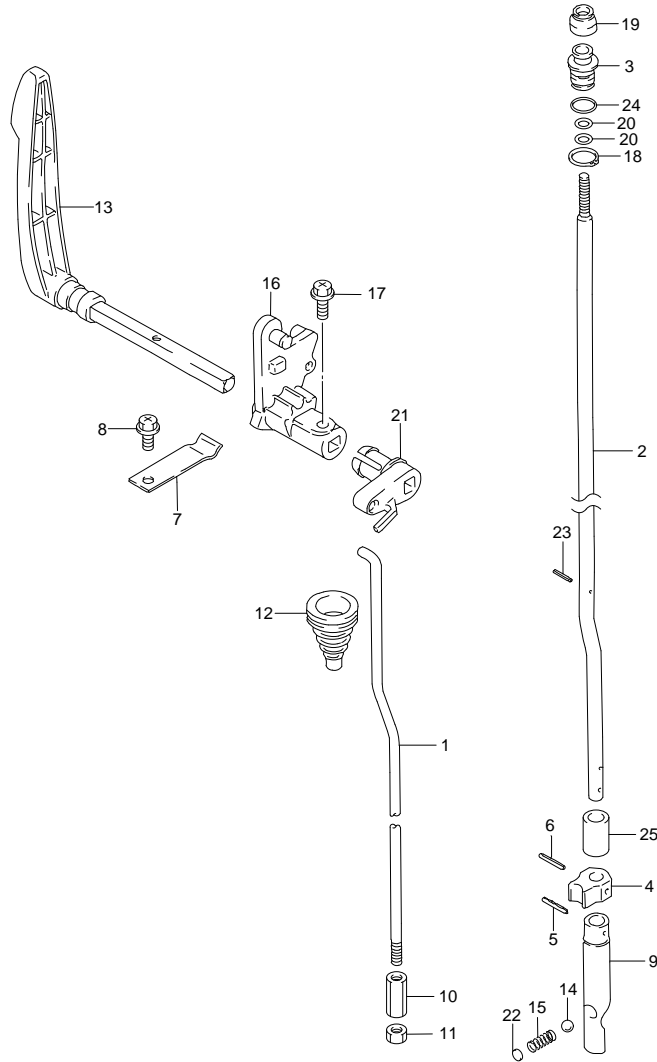


FIG. 20 (1-G-7) CLUTCH (DT40W P40)

REF NO.	PART NO.	DESCRIPTION	Q'TY	REMARKS
1	23111-94401	ROD, CLUTCH	1	
2-1	25111-92L00	ROD, SHIFT (S)	1	L:270
2-2	25111-92L10	ROD, SHIFT (L)	1	L:350
2-3	25111-92L20	ROD, SHIFT (L2)	1	L:397
3	25211-87J00	GUIDE, SHIFT ROD	1	
4	25212-94401	GUIDE, SHIFT ROD LOWER	1	
5	09205-03021	SPRING	1	
6	09205-02013	SPRING	1	
7	23213-94400	SPRING, CLUTCH NOTCH	1	
8	02162-06127	BOLT	1	
9	25311-94402	CAM SHIFT	1	
10	23311-95DL0	TURNBUCKLE, CLUTCH ROD	1	
11	29141-93J00	NUT	1	
12	23131-94400	BOOT, CLUTCH	1	
13	21110-94401	LEVER, CLUTCH	1	
14	09260-10005	BALL	1	
15	09440-07078	SPRING	1	
16	21121-94400	PLATE, CLUTCH	1	
17	02162-05167	BOLT	1	
18	08331-3115A	CIRCLIP	1	
19	25223-94400	SEAL, SHIFT ROD	1	
20	09280-08005	O RING (D:1.7,ID:7.7)	1	
21	23211-94401	ARM, CLUTCH ROD	1	
22	21121-93300	PLATE, CLUTCH NOTCH	1	
23	09205-02004	SPRING	1	
24	09280-11001	O RING (D:2.4,ID:10.8)	1	
25	25232-96302	MAGNET, GEAR CASE	1	

FIG.21

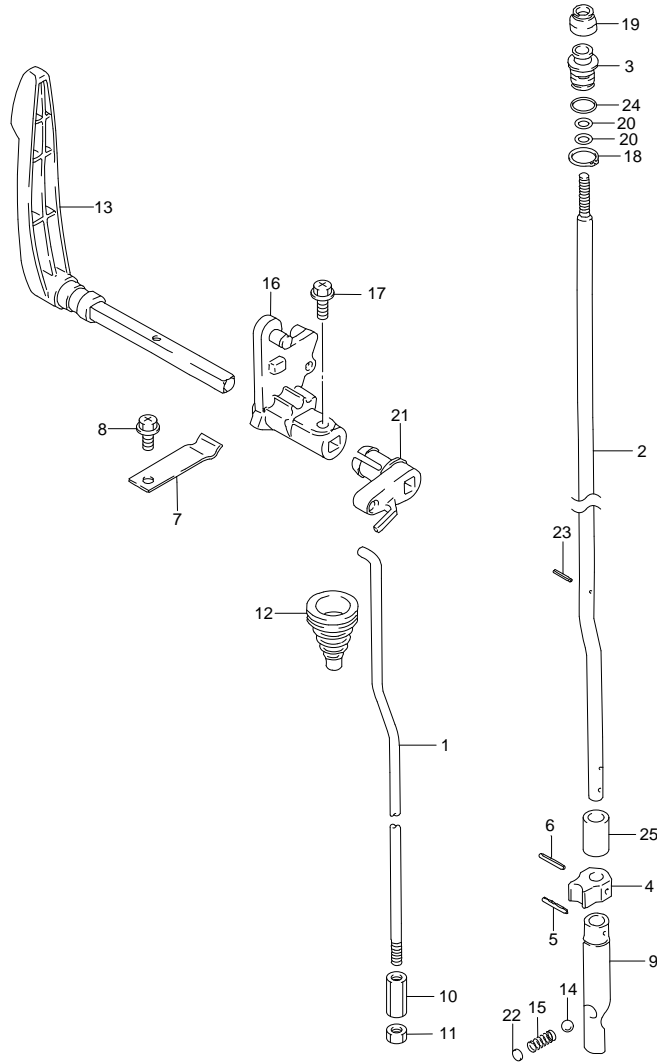


FIG. 21 (1-C-8) CLUTCH (DT40W P90)

REF NO.	PART NO.	DESCRIPTION	Q' TY	REMARKS
1	23111-94401	ROD, CLUTCH	1	
2	25111-92L00	ROD, SHIFT (S)	1	L:270
3	25211-87J00	GUIDE, SHIFT ROD	1	
4	25212-94401	GUIDE, SHIFT ROD LOWER	1	
5	09205-03021	SPRING	1	
6	09205-02013	SPRING	1	
7	23213-94400	SPRING, CLUTCH NOTCH	1	
8	02162-06127	BOLT	1	
9	25311-94402	CAM SHIFT	1	
10	23311-95DL0	TURNBUCKLE, CLUTCH ROD	1	
11	29141-93J00	NUT	1	
12	23131-94400	BOOT, CLUTCH	1	
13	21110-94401	LEVER, CLUTCH	1	
14	09260-10005	BALL	1	
15	09440-07078	SPRING	1	
16	21121-94400	PLATE, CLUTCH	1	
17	02162-05167	BOLT	1	
18	08331-3115A	CIRCLIP	1	
19	25223-94400	SEAL, SHIFT ROD	1	
20	09280-08005	O RING (D:1.7,ID:7.7)	1	
21	23211-94401	ARM, CLUTCH ROD	1	
22	21121-93300	PLATE, CLUTCH NOTCH	1	
23	09205-02004	SPRING	1	
24	09280-11001	O RING (D:2.4,ID:10.8)	1	
25	25232-96302	MAGNET, GEAR CASE	1	

FIG.22

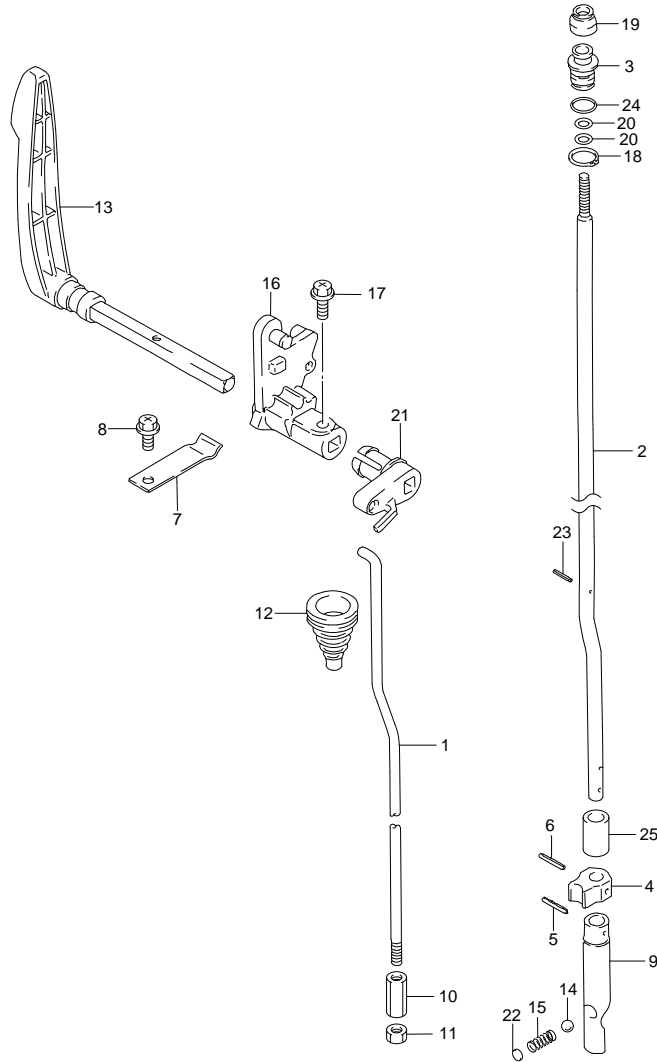


FIG. 22 (1-C-9) CLUTCH (DT40WR P40)

REF NO.	PART NO.	DESCRIPTION	Q'TY	REMARKS
1	23111-94401	ROD, CLUTCH	1	
2-1	25111-92L10	ROD, SHIFT (L)	1	L:350
2-2	25111-92L20	ROD, SHIFT (L2)	1	L:397
3	25211-87J00	GUIDE, SHIFT ROD	1	
4	25212-94401	GUIDE, SHIFT ROD LOWER	1	
5	09205-03021	SPRING	1	
6	09205-02013	SPRING	1	
7	23213-94400	SPRING, CLUTCH NOTCH	1	
8	02162-06127	BOLT	1	
9	25311-94402	CAM SHIFT	1	
10	23311-95DL0	TURNBUCKLE, CLUTCH ROD	1	
11	29141-93J00	NUT	1	
12	23131-94400	BOOT, CLUTCH	1	
13	21110-94401	LEVER, CLUTCH	1	
14	09260-10005	BALL	1	
15	09440-07078	SPRING	1	
16	21121-94400	PLATE, CLUTCH	1	
17	02162-05167	BOLT	1	
18	08331-3115A	CIRCLIP	1	
19	25223-94400	SEAL, SHIFT ROD	1	
20	09280-08005	O RING (D:1.7,ID:7.7)	1	
21	23211-94401	ARM, CLUTCH ROD	1	
22	21121-93300	PLATE, CLUTCH NOTCH	1	
23	09205-02004	SPRING	1	
24	09280-11001	O RING (D:2.4,ID:10.8)	1	
25	25232-96302	MAGNET, GEAR CASE	1	

FIG.23

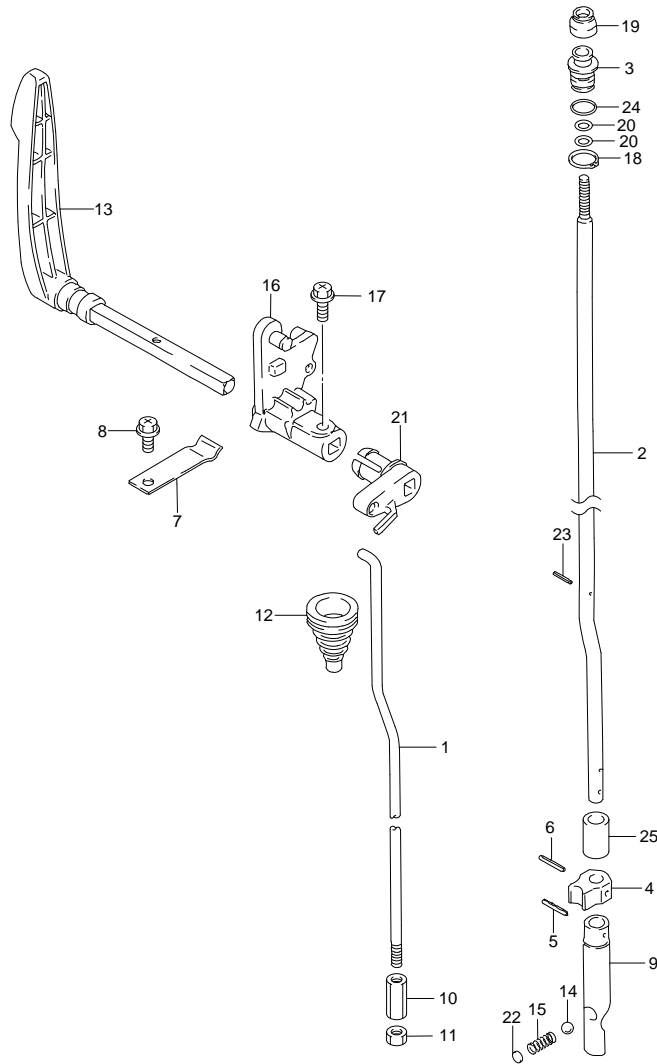
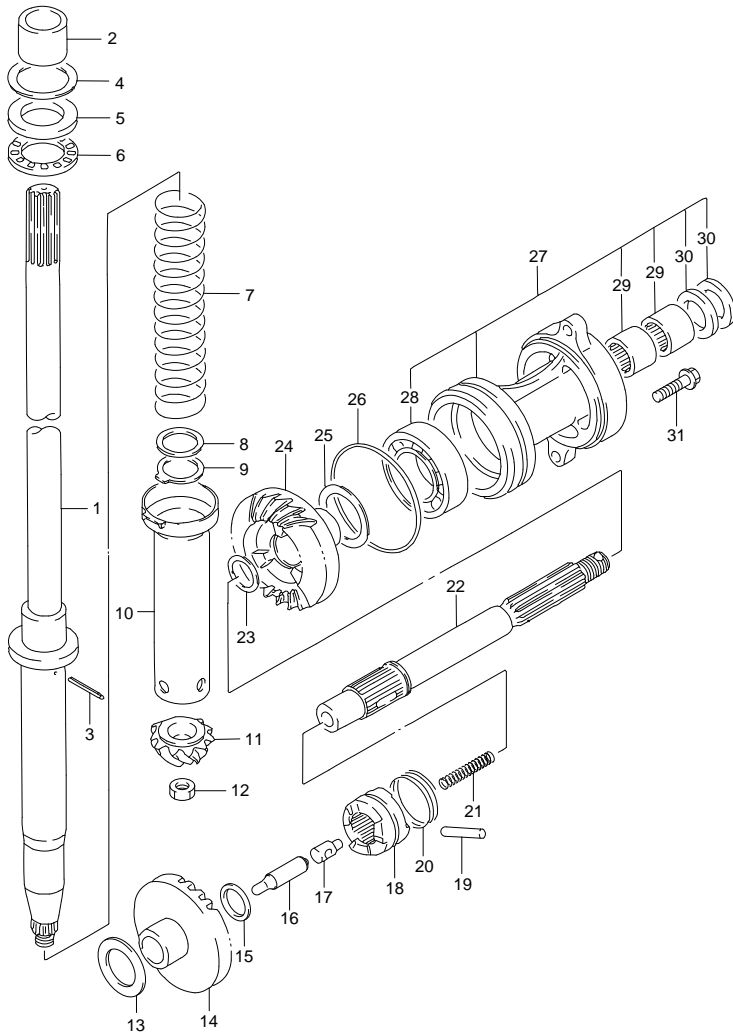


FIG. 23 (1-C-10) CLUTCH (DT40WR P90)

REF NO.	PART NO.	DESCRIPTION	Q' TY	REMARKS
1	23111-94401	ROD, CLUTCH	1	
2	25111-92L00	ROD, SHIFT (S)	1	L:270
3	25211-87J00	GUIDE, SHIFT ROD	1	
4	25212-94401	GUIDE, SHIFT ROD LOWER	1	
5	09205-03021	SPRING	1	
6	09205-02013	SPRING	1	
7	23213-94400	SPRING, CLUTCH NOTCH	1	
8	02162-06127	BOLT	1	
9	25311-94402	CAM SHIFT	1	
10	23311-95DL0	TURNBUCKLE, CLUTCH ROD	1	
11	29141-93J00	NUT	1	
12	23131-94400	BOOT, CLUTCH	1	
13	21110-94401	LEVER, CLUTCH	1	
14	09260-10005	BALL	1	
15	09440-07078	SPRING	1	
16	21121-94400	PLATE, CLUTCH	1	
17	02162-05167	BOLT	1	
18	08331-3115A	CIRCLIP	1	
19	25223-94400	SEAL, SHIFT ROD	1	
20	09280-08005	O RING (D:1.7,ID:7.7)	1	
21	23211-94401	ARM, CLUTCH ROD	1	
22	21121-93300	PLATE, CLUTCH NOTCH	1	
23	09205-02004	SPRING	1	
24	09280-11001	O RING (D:2.4,ID:10.8)	1	
25	25232-96302	MAGNET, GEAR CASE	1	

FIG.24



DT40W P40 012_024
TRANSMISSION

FIG. 24 (1-G-11) TRANSMISSION (DT40W P40)

REF NO.	PART NO.	DESCRIPTION	QTY	REMARKS
1-1	57110-94411	SHAFT, DRIVE (S)	1	L:736.8
1-2	57110-94441	SHAFT, DRIVE (L)	1	L:816.8
1-3	57110-94401	SHAFT, DRIVE (L2)	1	L:863.8
2	57130-94301	BUSH, DRIVE SHAFT (L/L2)	1	
3	09205-03019	SPRING	1	
4-1	09181-30186	SHIM (30X42X0.5)	AR	
4-2	09181-30187	SHIM (30X42X0.6)	AR	
4-3	09181-30188	SHIM (30X42X0.7)	AR	
4-4	09181-30190	SHIM (30X42X0.8)	AR	
4-5	09181-30192	SHIM (30X42X0.9)	AR	
5	09160-26015	WASHER (26.2X42X4)	1	
6	09263-25062	BEARING (25X42X5)	1	
7	09440-30005	SPRING	1	
8	09160-24020	WASHER (24X33X2.5)	1	
9	09166-25006	WASHER	1	
10	57133-94400	HOUSING, DRIVE SHAFT SPRING	1	
11	57311-94402	PINION	1	
12	09140-12034	NUT	1	
13-1	09181-30186	SHIM (30X42X0.5)	AR	
13-2	09181-30187	SHIM (30X42X0.6)	AR	
13-3	09181-30188	SHIM (30X42X0.7)	AR	
13-4	09181-30190	SHIM (30X42X0.8)	AR	
13-5	09181-30192	SHIM (30X42X0.9)	AR	
14	57510-94402	GEAR, FORWARD	1	
15	08211-20263	THRUST WASHER	AR	
16	57631-95303	ROD, PUSH	1	
17	57634-88L00	PIN	1	
18	57621-87J02	SHIFTER, CLUTCH DOG	1	
19	09202-05022	PIN	1	
20	09440-40002	SPRING	1	
21	09440-08043	SPRING	1	
22	57610-94402	SHAFT, PROPELLER	1	
23-1	09160-22018	WASHER (22.2X28X1.8)	AR	
23-2	09160-22019	WASHER (22.5X28X1.9)	AR	

DT40W P40 012

FIG.24

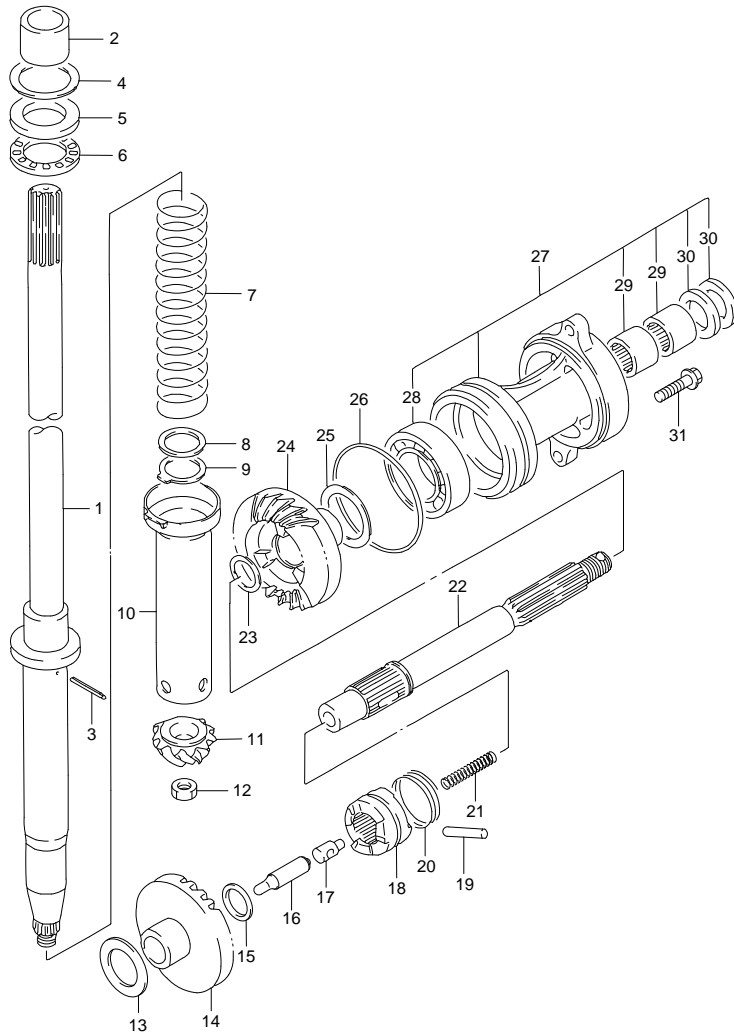


FIG. 24 (1-G-12) TRANSMISSION (DT40W P40)

REF NO.	PART NO.	DESCRIPTION	Q' TY	REMARKS
23-3	09160-22020	WASHER (22.5X28X2)	AR	
23-4	09160-22021	WASHER (22.5X28X2.1)	AR	
23-5	09160-22022	WASHER (22.5X28X2.2)	AR	
23-6	09160-22023	WASHER (22.5X28X2.3)	AR	
24	57521-94401	GEAR, REVERSE	1	
25-1	08221-35455	SHIM	AR	
25-2	09181-35131	SHIM (35X46X0.6)	AR	
25-3	09181-35132	SHIM (35X46X0.7)	AR	
25-4	08221-35456	SHIM	AR	
25-5	09181-35136	SHIM (35X46X0.9)	AR	
25-6	08211-35451	THRUST WASHER	AR	
26	09280-75001	O RING (D:3.3, ID:75)	1	
27	56120-92L00-0EP	HOUSING, PROPELLER SHAFT BRG	1	
28	09262-35070	·BEARING (35X62X14)	1	
29	09263-22020	·BEARING (22.2X28.5X19)	1	
30	09289-22007	·OIL SEAL (22X35X5)	2	
31	09116-08122	BOLT (8X30)	2	

FIG.25

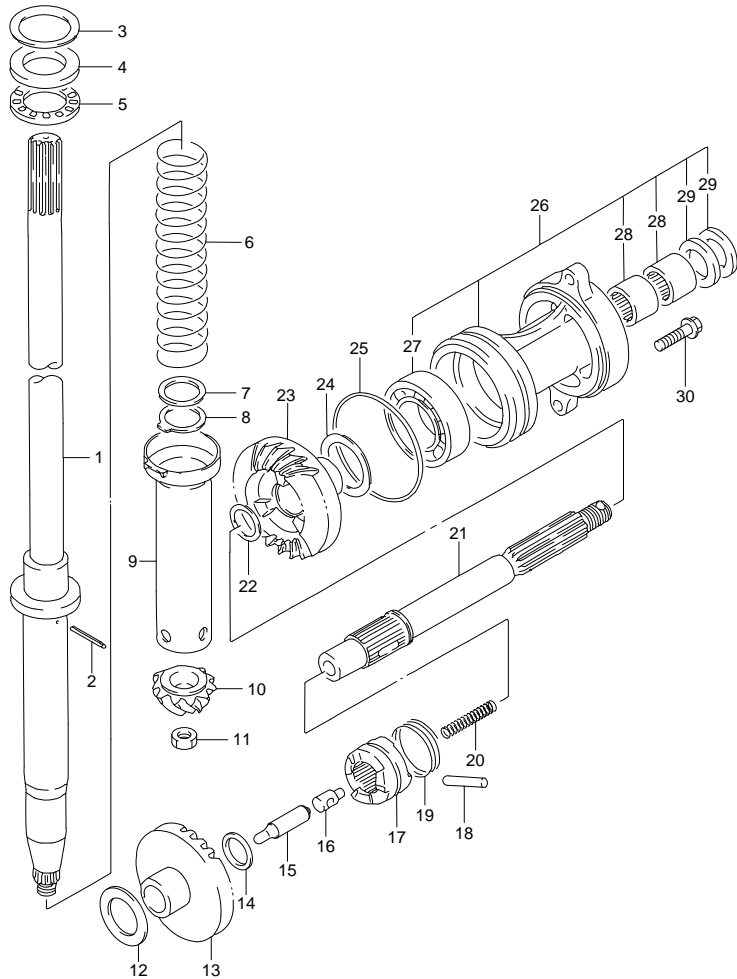


FIG. 25 (1-C-13) TRANSMISSION (DT40W P90)

REF NO.	PART NO.	DESCRIPTION	QTY	REMARKS
1	57110-94411	SHAFT, DRIVE (S)	1	L:736.8
2	09205-03019	SPRING	1	
3-1	09181-30186	SHIM (30X42X0.5)	AR	
3-2	09181-30187	SHIM (30X42X0.6)	AR	
3-3	09181-30188	SHIM (30X42X0.7)	AR	
3-4	09181-30190	SHIM (30X42X0.8)	AR	
3-5	09181-30192	SHIM (30X42X0.9)	AR	
4	09160-26015	WASHER (26.2X42X4)	1	
5	09263-25062	BEARING (25X42X5)	1	
6	09440-30005	SPRING	1	
7	09160-24020	WASHER (24X33X2.5)	1	
8	09166-25006	WASHER	1	
9	57133-94400	HOUSING, DRIVE SHAFT SPRING	1	
10	57311-94402	PINION	1	
11	09140-12034	NUT	1	
12-1	09181-30186	SHIM (30X42X0.5)	AR	
12-2	09181-30187	SHIM (30X42X0.6)	AR	
12-3	09181-30188	SHIM (30X42X0.7)	AR	
12-4	09181-30190	SHIM (30X42X0.8)	AR	
12-5	09181-30192	SHIM (30X42X0.9)	AR	
13	57510-94402	GEAR, FORWARD	1	
14	08211-20263	THRUST WASHER	AR	
15	57631-95303	ROD, PUSH	1	
16	57634-88L00	PIN	1	
17	57621-87J02	SHIFTER, CLUTCH DOG	1	
18	09202-05022	PIN	1	
19	09440-40002	SPRING	1	
20	09440-08043	SPRING	1	
21	57610-94402	SHAFT, PROPELLER	1	
22-1	09160-22018	WASHER (22.2X28X1.8)	AR	
22-2	09160-22019	WASHER (22.5X28X1.9)	AR	
22-3	09160-22020	WASHER (22.5X28X2)	AR	
22-4	09160-22021	WASHER (22.5X28X2.1)	AR	
22-5	09160-22022	WASHER (22.5X28X2.2)	AR	

FIG.25

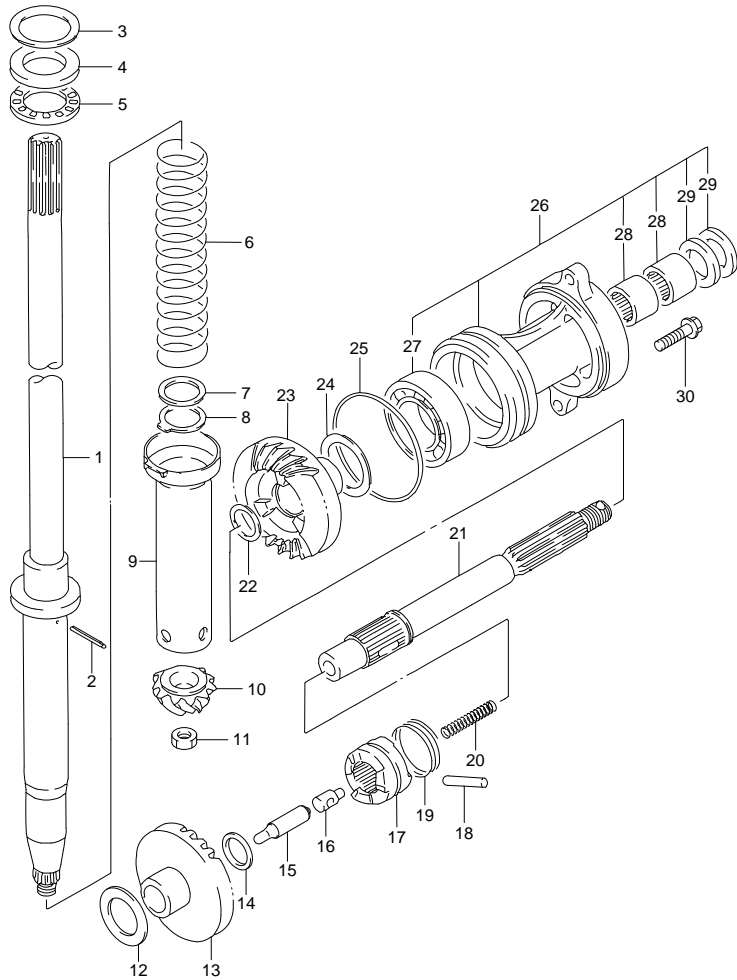


FIG. 25 (1-G-14) TRANSMISSION (DT40W P90)

REF NO.	PART NO.	DESCRIPTION	QTY	REMARKS
22-6	09160-22023	WASHER (22.5X28X2.3)	AR	
23	57521-94401	GEAR, REVERSE	1	
24-1	08221-35455	SHIM	AR	
24-2	09181-35131	SHIM (35X46X0.6)	AR	
24-3	09181-35132	SHIM (35X46X0.7)	AR	
24-4	08221-35456	SHIM	AR	
24-5	09181-35136	SHIM (35X46X0.9)	AR	
24-6	08211-35451	THRUST WASHER	AR	
25	09280-75001	O RING (D:3.3,ID:75)	1	
26	56120-92L00-0EP	HOUSING, PROPELLER SHAFT BRG	1	
27	09262-35070	·BEARING (35X62X14)	1	
28	09263-22020	·BEARING (22.2X28.5X19)	1	
29	09289-22007	·OIL SEAL (22X35X5)	2	
30	09116-08122	BOLT (8X30)	2	

FIG.26

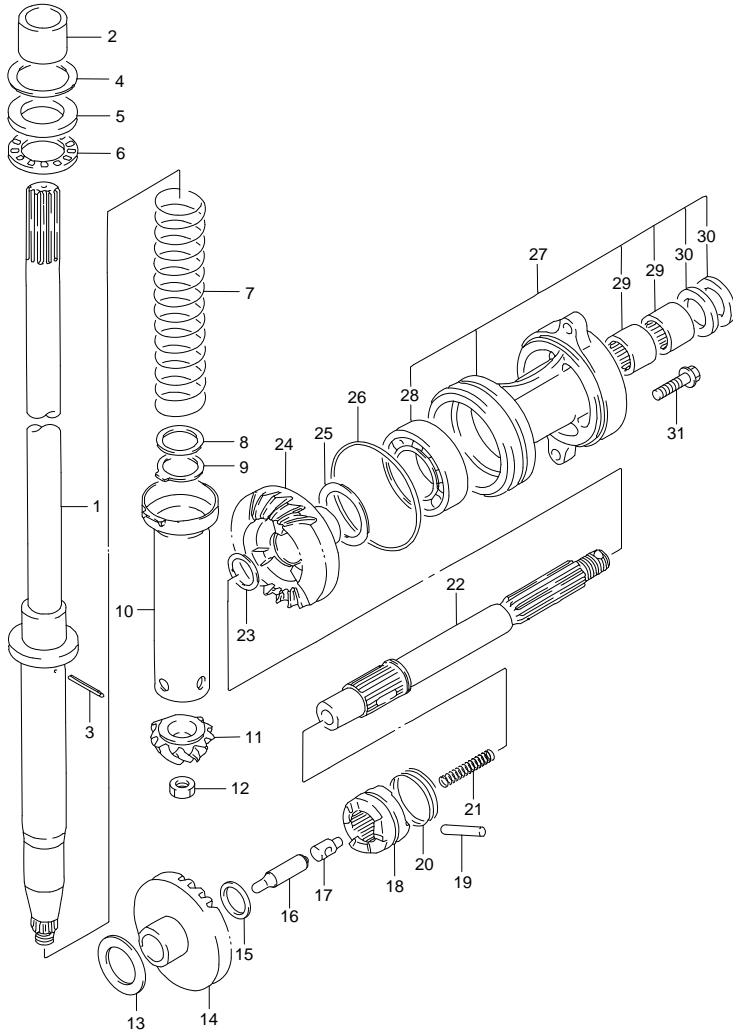


FIG. 26 (1-G-15) TRANSMISSION (DT40WR P40)

REF NO.	PART NO.	DESCRIPTION	Q' TY	REMARKS
1-1	57110-94441	SHAFT, DRIVE (L)	1	L:816.8
1-2	57110-94401	SHAFT, DRIVE (L2)	1	L:863.8
2	57130-94301	BUSH, DRIVE SHAFT (L/L2)	1	
3	09205-03019	SPRING	1	
4-1	09181-30186	SHIM (30X42X0.5)	AR	
4-2	09181-30187	SHIM (30X42X0.6)	AR	
4-3	09181-30188	SHIM (30X42X0.7)	AR	
4-4	09181-30190	SHIM (30X42X0.8)	AR	
4-5	09181-30192	SHIM (30X42X0.9)	AR	
5	09160-26015	WASHER (26.2X42X4)	1	
6	09263-25062	BEARING (25X42X5)	1	
7	09440-30005	SPRING	1	
8	09160-24020	WASHER (24X33X2.5)	1	
9	09166-25006	WASHER	1	
10	57133-94400	HOUSING, DRIVE SHAFT SPRING	1	
11	57311-94402	PINION	1	
12	09140-12034	NUT	1	
13-1	09181-30186	SHIM (30X42X0.5)	AR	
13-2	09181-30187	SHIM (30X42X0.6)	AR	
13-3	09181-30188	SHIM (30X42X0.7)	AR	
13-4	09181-30190	SHIM (30X42X0.8)	AR	
13-5	09181-30192	SHIM (30X42X0.9)	AR	
14	57510-94402	GEAR, FORWARD	1	
15	08211-20263	THRUST WASHER	AR	
16	57631-95303	ROD, PUSH	1	
17	57634-88L00	PIN	1	
18	57621-87J02	SHIFTER, CLUTCH DOG	1	
19	09202-05022	PIN	1	
20	09440-40002	SPRING	1	
21	09440-08043	SPRING	1	
22	57610-94402	SHAFT, PROPELLER	1	
23-1	09160-22018	WASHER (22.2X28X1.8)	AR	
23-2	09160-22019	WASHER (22.5X28X1.9)	AR	
23-3	09160-22020	WASHER (22.5X28X2)	AR	

FIG.26

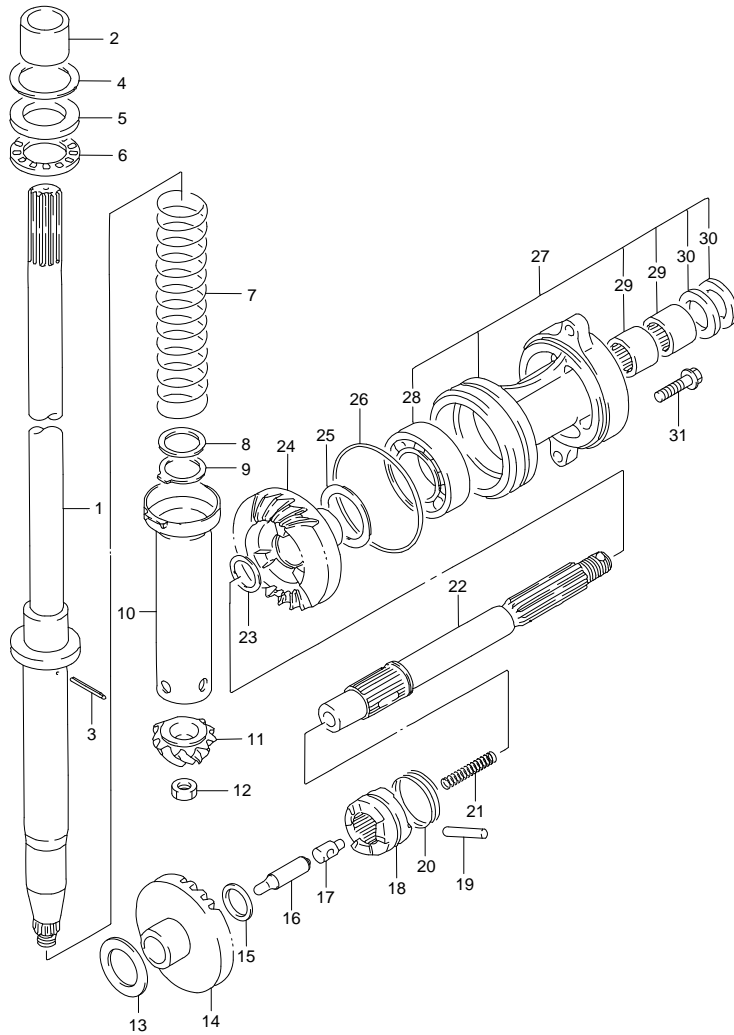
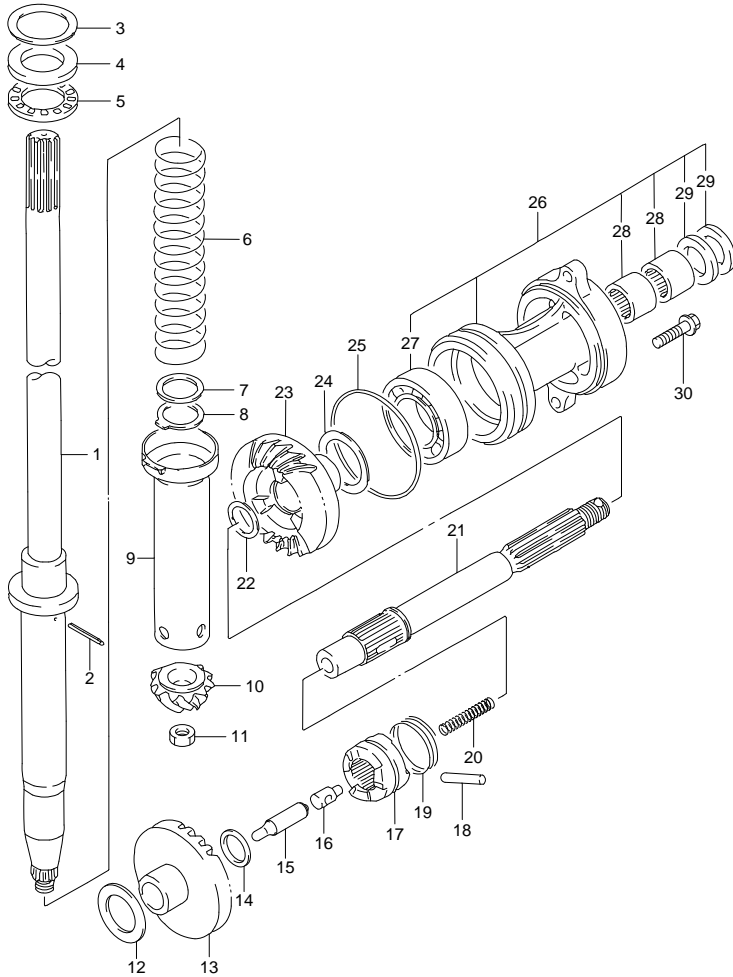


FIG. 26 (1-D-2) TRANSMISSION (DT40WR P40)

REF NO.	PART NO.	DESCRIPTION	QTY	REMARKS
23-4	09160-22021	WASHER (22.5X28X2.1)	AR	
23-5	09160-22022	WASHER (22.5X28X2.2)	AR	
23-6	09160-22023	WASHER (22.5X28X2.3)	AR	
24	57521-94401	GEAR, REVERSE	1	
25-1	08221-35455	SHIM	AR	
25-2	09181-35131	SHIM (35X46X0.6)	AR	
25-3	09181-35132	SHIM (35X46X0.7)	AR	
25-4	08221-35456	SHIM	AR	
25-5	09181-35136	SHIM (35X46X0.9)	AR	
25-6	08211-35451	THRUST WASHER	AR	
26	09280-75001	O RING (D:3.3, ID:75)	1	
27	56120-92L00-0EP	HOUSING, PROPELLER SHAFT BRG	1	
28	09262-35070	·BEARING (35X62X14)	1	
29	09263-22020	·BEARING (22.2X28.5X19)	1	
30	09289-22007	·OIL SEAL (22X35X5)	2	
31	09116-08122	BOLT (8X30)	2	

FIG.27



DT40W P40 012_027
TRANSMISSION

FIG. 27 (1-D-3) TRANSMISSION (DT40WR P90)

REF NO.	PART NO.	DESCRIPTION	QTY	REMARKS
1	57110-94411	SHAFT, DRIVE (S)	1	L.736.8
2	09205-03019	SPRING	1	
3-1	09181-30186	SHIM (30X42X0.5)	AR	
3-2	09181-30187	SHIM (30X42X0.6)	AR	
3-3	09181-30188	SHIM (30X42X0.7)	AR	
3-4	09181-30190	SHIM (30X42X0.8)	AR	
3-5	09181-30192	SHIM (30X42X0.9)	AR	
4	09160-26015	WASHER (26.2X42X4)	1	
5	09263-25062	BEARING (25X42X5)	1	
6	09440-30005	SPRING	1	
7	09160-24020	WASHER (24X33X2.5)	1	
8	09166-25006	WASHER	1	
9	57133-94400	HOUSING, DRIVE SHAFT SPRING	1	
10	57311-94402	PINION	1	
11	09140-12034	NUT	1	
12-1	09181-30186	SHIM (30X42X0.5)	AR	
12-2	09181-30187	SHIM (30X42X0.6)	AR	
12-3	09181-30188	SHIM (30X42X0.7)	AR	
12-4	09181-30190	SHIM (30X42X0.8)	AR	
12-5	09181-30192	SHIM (30X42X0.9)	AR	
13	57510-94402	GEAR, FORWARD	1	
14	08211-20263	THRUST WASHER	AR	
15	57631-95303	ROD, PUSH	1	
16	57634-88L00	PIN	1	
17	57621-87J02	SHIFTER, CLUTCH DOG	1	
18	09202-05022	PIN	1	
19	09440-40002	SPRING	1	
20	09440-08043	SPRING	1	
21	57610-94402	SHAFT, PROPELLER	1	
22-1	09160-22018	WASHER (22.2X28X1.8)	AR	
22-2	09160-22019	WASHER (22.5X28X1.9)	AR	
22-3	09160-22020	WASHER (22.5X28X2)	AR	
22-4	09160-22021	WASHER (22.5X28X2.1)	AR	
22-5	09160-22022	WASHER (22.5X28X2.2)	AR	

DT40W P40 012

FIG.27

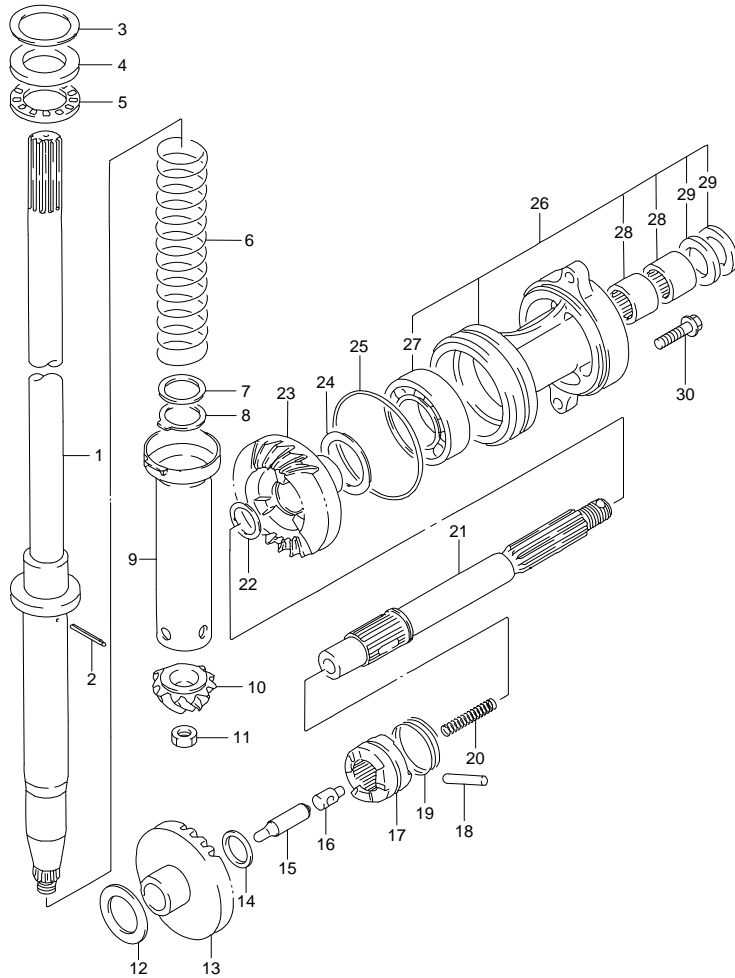


FIG. 27 (1-D-4) TRANSMISSION (DT40WR P90)

REF NO.	PART NO.	DESCRIPTION	QTY	REMARKS
22-6	09160-22023	WASHER (22.5X28X2.3)	AR	
23	57521-94401	GEAR, REVERSE	1	
24-1	08221-35455	SHIM	AR	
24-2	09181-35131	SHIM (35X46X0.6)	AR	
24-3	09181-35132	SHIM (35X46X0.7)	AR	
24-4	08221-35456	SHIM	AR	
24-5	09181-35136	SHIM (35X46X0.9)	AR	
24-6	08211-35451	THRUST WASHER	AR	
25	09280-75001	O RING (D:3.3,ID:75)	1	
26	56120-92L00-0EP	HOUSING, PROPELLER SHAFT BRG	1	
27	09262-35070	·BEARING (35X62X14)	1	
28	09263-22020	·BEARING (22.2X28.5X19)	1	
29	09289-22007	·OIL SEAL (22X35X5)	2	
30	09116-08122	BOLT (8X30)	2	

FIG.28

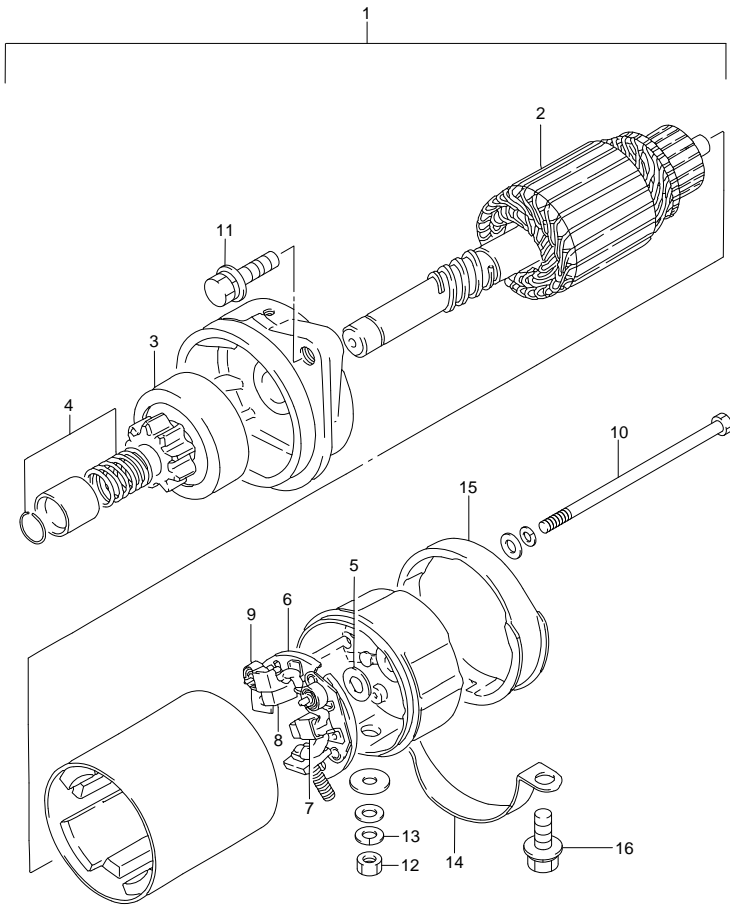


FIG. 28 (1-D-5) STARTING MOTOR (DT40W P40)

REF NO.	PART NO.	DESCRIPTION	Q'TY	REMARKS
1	31100-94401	MOTOR ASSY, STARTING	1	
2	31310-96300	·ARMATURE	1	
3	31320-94400	·PINION ASSY	1	
4	31312-96300	·STOPPER SET, PINION	1	
5	31360-96300	·WASHER	1	
6	31173-89J00	·HOLDER ASSY, BRUSH	1	
7	31131-96300	··BRUSH (+)	1	
8	31132-96300	··BRUSH (-)	1	
9	31135-89J00	··SPRING, BRUSH	2	
10	31281-93340	·BOLT	2	
11	01580-08257	BOLT	2	
12	08310-00067	NUT	1	
13	08321-01067	WASHER	1	
14	31912-92L00	BAND, STARTING MOTOR	1	
15	31918-94401	DAMPER, LOWER	1	
16	01580-08257	BOLT	2	

FIG.29

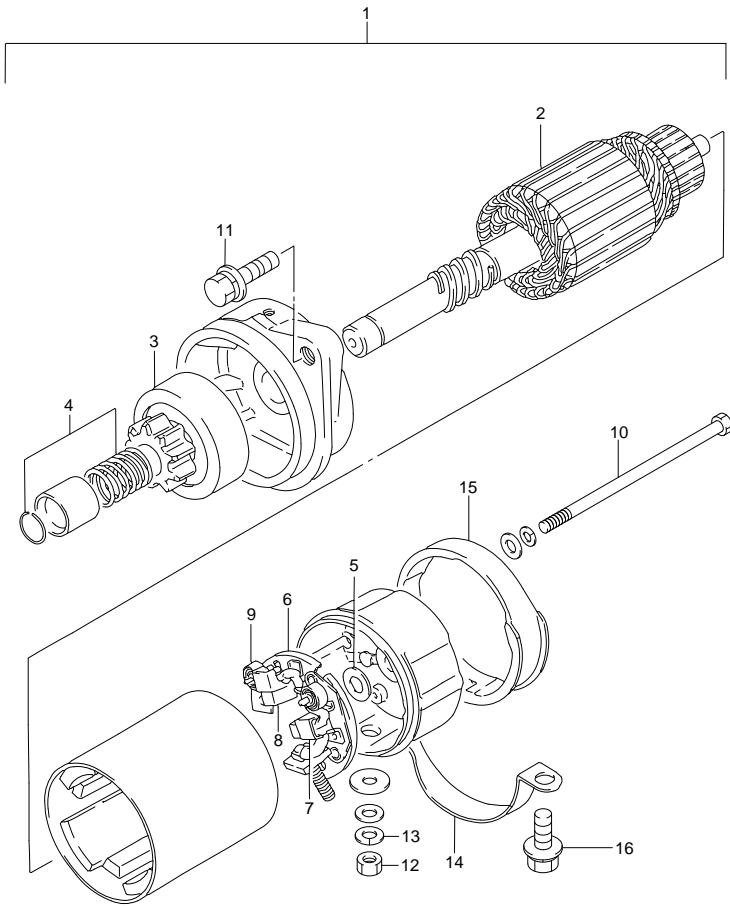


FIG. 29 (1-D-6) STARTING MOTOR (DT40WR P40)

REF NO.	PART NO.	DESCRIPTION	Q'TY	REMARKS
1	31100-94401	MOTOR ASSY, STARTING	1	
2	31310-96300	·ARMATURE	1	
3	31320-94400	·PINION ASSY	1	
4	31312-96300	·STOPPER SET, PINION	1	
5	31360-96300	·WASHER	1	
6	31173-89J00	·HOLDER ASSY, BRUSH	1	
7	31131-96300	··BRUSH (+)	1	
8	31132-96300	··BRUSH (-)	1	
9	31135-89J00	··SPRING, BRUSH	2	
10	31281-93340	·BOLT	2	
11	01580-08257	BOLT	2	
12	08310-00067	NUT	1	
13	08321-01067	WASHER	1	
14	31912-92L00	BAND, STARTING MOTOR	1	
15	31918-94401	DAMPER, LOWER	1	
16	01580-08257	BOLT	2	

FIG.30

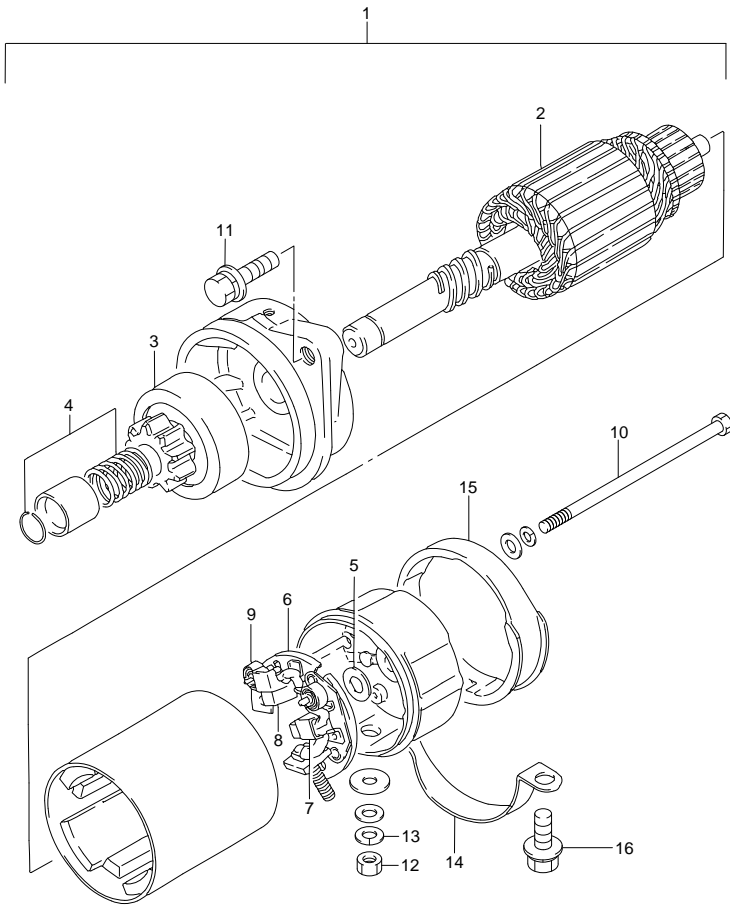


FIG. 30 (1-D-7) STARTING MOTOR (DT40WR P90)

REF NO.	PART NO.	DESCRIPTION	Q'TY	REMARKS
1	31100-94401	MOTOR ASSY, STARTING	1	
2	31310-96300	·ARMATURE	1	
3	31320-94400	·PINION ASSY	1	
4	31312-96300	·STOPPER SET, PINION	1	
5	31360-96300	·WASHER	1	
6	31173-89J00	·HOLDER ASSY, BRUSH	1	
7	31131-96300	··BRUSH (+)	1	
8	31132-96300	··BRUSH (-)	1	
9	31135-89J00	··SPRING, BRUSH	2	
10	31281-93340	·BOLT	2	
11	01580-08257	BOLT	2	
12	08310-00067	NUT	1	
13	08321-01067	WASHER	1	
14	31912-92L00	BAND, STARTING MOTOR	1	
15	31918-94401	DAMPER, LOWER	1	
16	01580-08257	BOLT	2	

FIG.31

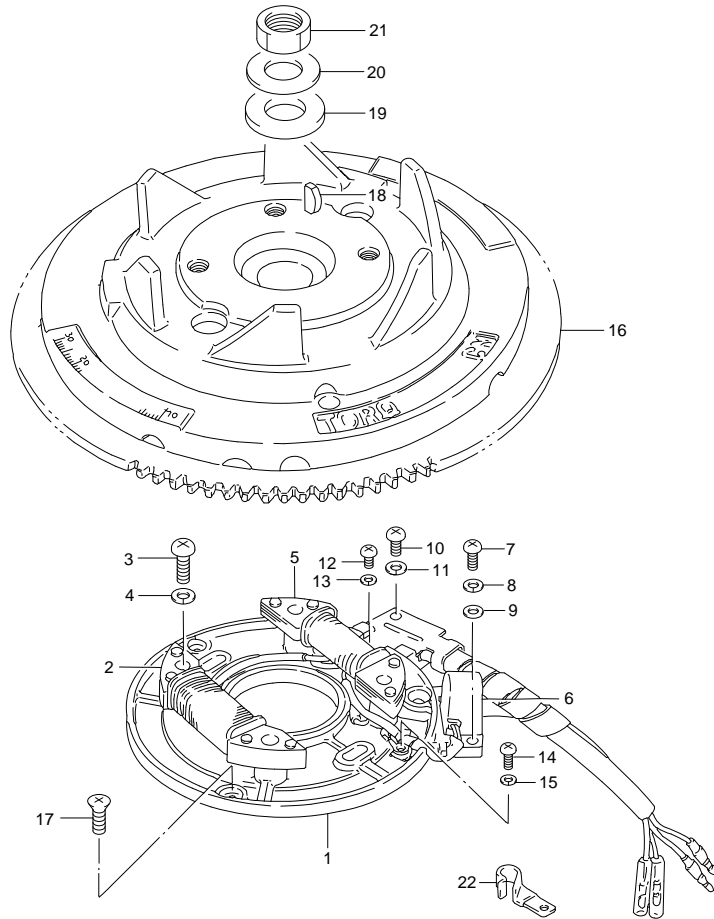


FIG. 31 (1-D-8) MAGNETO (DT40W P40)

REF NO.	PART NO.	DESCRIPTION	Q'TY	REMARKS
1	32101-94413	STATOR ASSY	1	
2	32120-94400	COIL, LIGHTING	1	
3	02112-06257	SCREW	4	
4	08321-01067	LOCK WASHER	4	
5	32140-94400	COIL, IGNITION PRIMARY	1	
6	32150-94410	SENSOR, IGNITION TIMING	1	
7	02112-05107	SCREW	2	
8	08322-01057	WASHER	2	
9	08321-0105A	LOCK WASHER	2	
10	02112-05107	SCREW	1	
11	08321-0105A	LOCK WASHER	1	
12	02112-04087	SCREW	1	
13	08321-01047	LOCK WASHER	1	
14	02112-0406A	SCREW	2	
15	08321-01047	LOCK WASHER	2	
16-1	32102-94451	FLYWHEEL	1	W/ELECTRIC STARTER
16-2	32102-94441	FLYWHEEL	1	W/MANUAL STARTER
17	09138-05011	SCREW (5X14)	2	
18	08341-31059	KEY	1	
19	09160-18011	WASHER (18.5X35X4)	1	
20	09164-18001	WASHER	1	
21	09140-18014	NUT	1	
22	09403-10312	CLAMP	1	

FIG.32

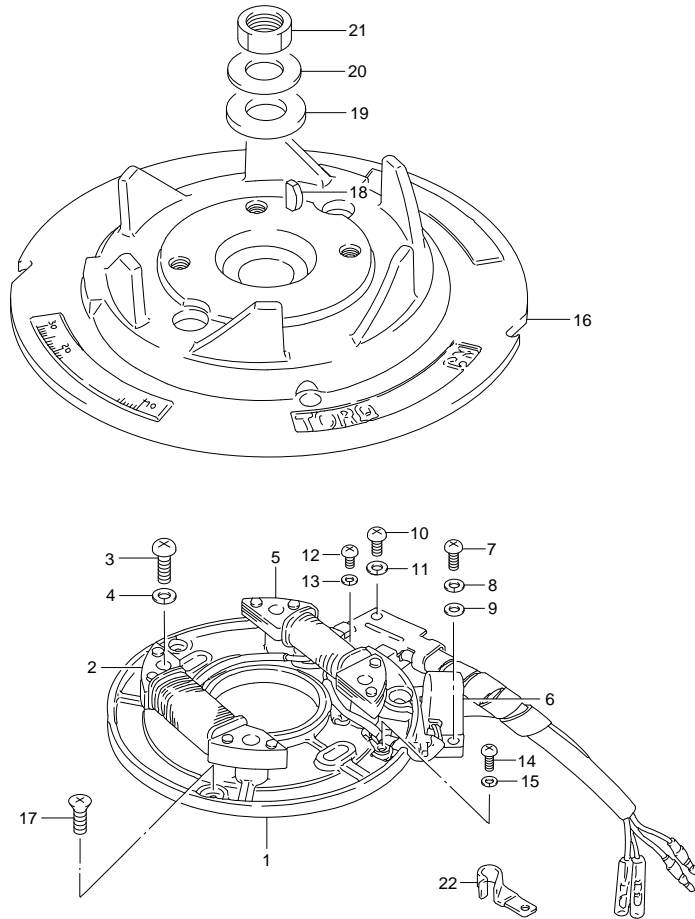


FIG. 32 (1-D-9) MAGNETO (DT40W P90)

REF NO.	PART NO.	DESCRIPTION	Q'TY	REMARKS
1	32101-94413	STATOR ASSY	1	
2	32120-94400	COIL, LIGHTING	1	
3	02112-06257	SCREW	4	
4	08321-01067	LOCK WASHER	4	
5	32140-94400	COIL, IGNITION PRIMARY	1	
6	32150-94410	SENSOR, IGNITION TIMING	1	
7	02112-05107	SCREW	2	
8	08322-01057	WASHER	2	
9	08321-0105A	LOCK WASHER	2	
10	02112-05107	SCREW	1	
11	08321-0105A	LOCK WASHER	1	
12	02112-04087	SCREW	1	
13	08321-01047	LOCK WASHER	1	
14	02112-0406A	SCREW	2	
15	08321-01047	LOCK WASHER	2	
16	32102-94441	FLYWHEEL	1	
17	09138-05011	SCREW (5X14)	2	
18	08341-31059	KEY	1	
19	09160-18011	WASHER (18.5X35X4)	1	
20	09164-18001	WASHER	1	
21	09140-18014	NUT	1	
22	09403-10312	CLAMP	1	

FIG.33

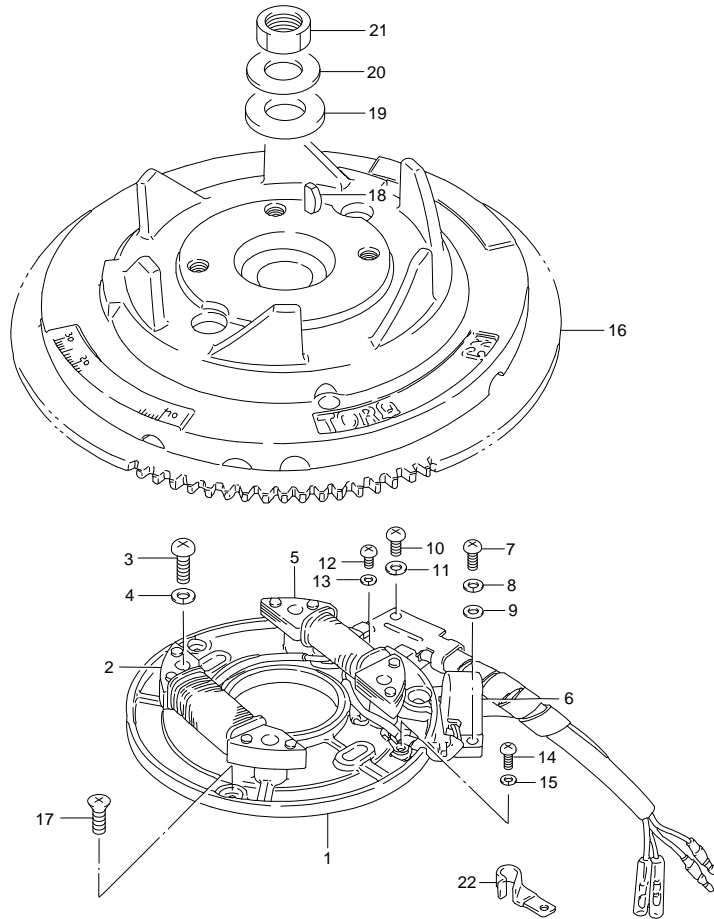


FIG. 33 (1-D-10) MAGNETO (DT40WR P40)

REF NO.	PART NO.	DESCRIPTION	Q' TY	REMARKS
1	32101-94413	STATOR ASSY	1	
2	32120-94400	COIL, LIGHTING	1	
3	02112-06257	SCREW	4	
4	08321-01067	LOCK WASHER	4	
5	32140-94400	COIL, IGNITION PRIMARY	1	
6	32150-94410	SENSOR, IGNITION TIMING	1	
7	02112-05107	SCREW	2	
8	08322-01057	WASHER	2	
9	08321-0105A	LOCK WASHER	2	
10	02112-05107	SCREW	1	
11	08321-0105A	LOCK WASHER	1	
12	02112-04087	SCREW	1	
13	08321-01047	LOCK WASHER	1	
14	02112-0406A	SCREW	2	
15	08321-01047	LOCK WASHER	2	
16	32102-94451	FLYWHEEL	1	
17	09138-05011	SCREW (5X14)	2	
18	08341-31059	KEY	1	
19	09160-18011	WASHER (18.5X35X4)	1	
20	09164-18001	WASHER	1	
21	09140-18014	NUT	1	
22	09403-10312	CLAMP	1	

FIG.34

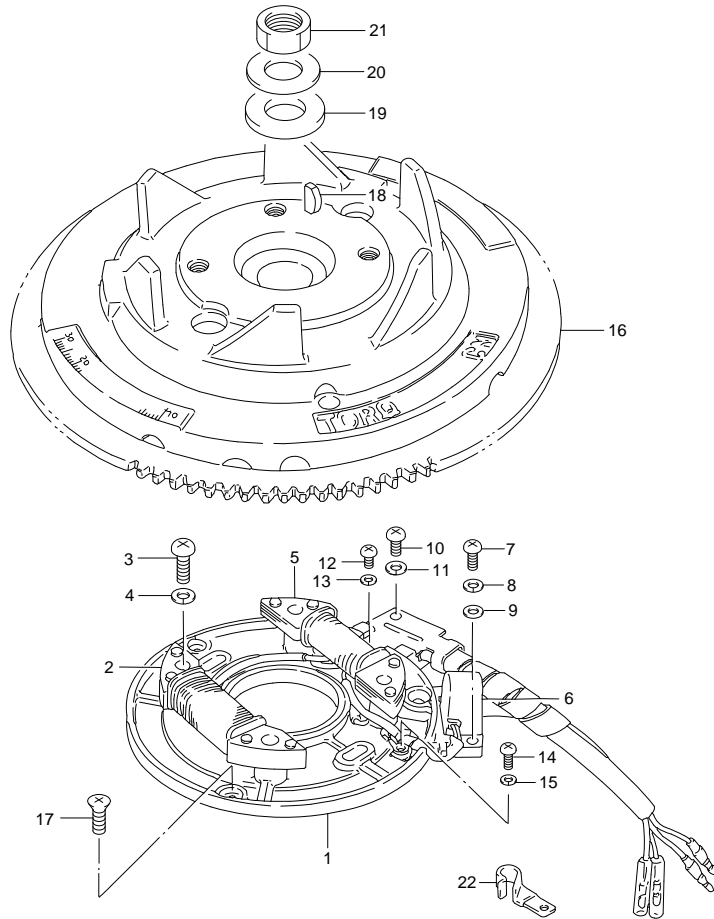


FIG. 34 (1-D-11) MAGNETO (DT40WR P90)

REF NO.	PART NO.	DESCRIPTION	Q'TY	REMARKS
1	32101-94413	STATOR ASSY	1	
2	32120-94400	COIL, LIGHTING	1	
3	02112-06257	SCREW	4	
4	08321-01067	LOCK WASHER	4	
5	32140-94400	COIL, IGNITION PRIMARY	1	
6	32150-94410	SENSOR, IGNITION TIMING	1	
7	02112-05107	SCREW	2	
8	08322-01057	WASHER	2	
9	08321-0105A	LOCK WASHER	2	
10	02112-05107	SCREW	1	
11	08321-0105A	LOCK WASHER	1	
12	02112-04087	SCREW	1	
13	08321-01047	LOCK WASHER	1	
14	02112-0406A	SCREW	2	
15	08321-01047	LOCK WASHER	2	
16	32102-94451	FLYWHEEL	1	
17	09138-05011	SCREW (5X14)	2	
18	08341-31059	KEY	1	
19	09160-18011	WASHER (18.5X35X4)	1	
20	09164-18001	WASHER	1	
21	09140-18014	NUT	1	
22	09403-10312	CLAMP	1	

FIG.35

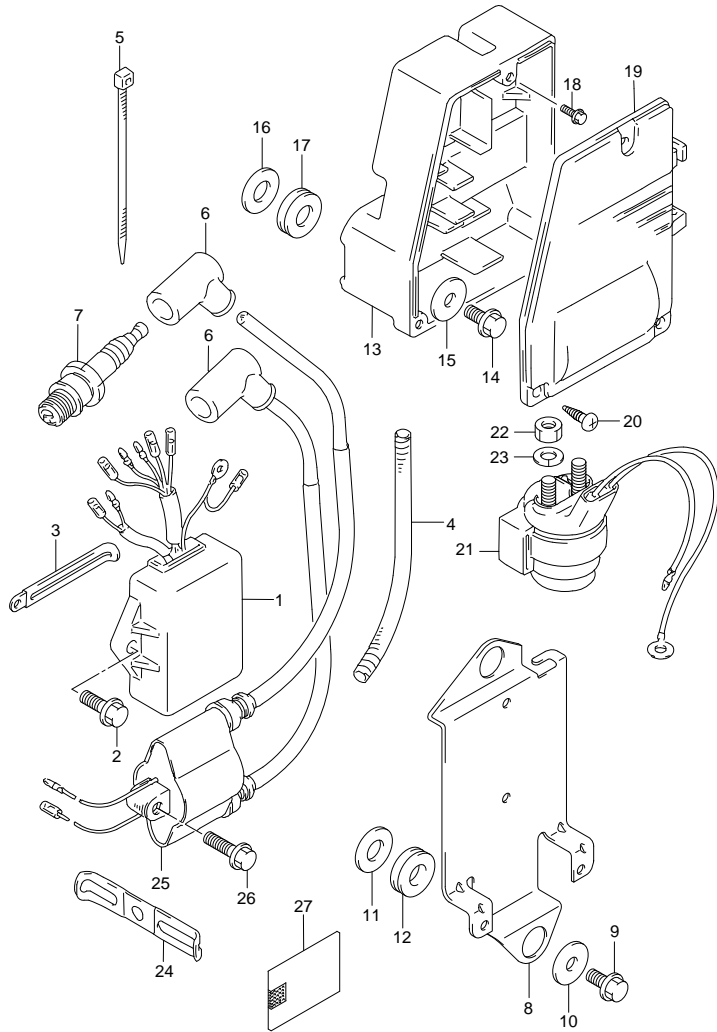


FIG. 35 (1-D-12) IGNITION (DT40W P40)

REF NO.	PART NO.	DESCRIPTION	Q' TY	REMARKS
1	32900-94470	CDI UNIT	1	
2	01550-06127	BOLT	2	
3	29404-93J10	CLAMP	1	
4	33833-91J00	TUBE	1	L:250->100
5	09407-10404	CLAMP (L:100)	2	
6	33510-95520	CAP, SPARK PLUG	2	
7	09482-00370	SPARK PLUG	2	
8	32950-94420	HOLDER, CDI/CONTROL UNIT	1	
9	01550-06127	BOLT	2	
10	09160-06084	WASHER (6.5X18X1.6)	2	
11	09160-12007	WASHER	2	
12	09320-12011	CUSHION	2	
13	32890-94401	HOLDER, ELECTRIC PARTS	1	W/ELECTRIC STARTER
14	09103-06049	BOLT (6X12)	2	W/ELECTRIC STARTER
15	09160-06084	WASHER (6.5X18X1.6)	2	W/ELECTRIC STARTER
16	09160-12007	WASHER	2	W/ELECTRIC STARTER
17	09320-12011	CUSHION	2	W/ELECTRIC STARTER
18	01550-06127	BOLT	1	W/ELECTRIC STARTER
19	32891-94401	COVER, ELECTRIC PARTS HOLDER	1	W/ELECTRIC STARTER
20	03212-0512B	SCREW	3	W/ELECTRIC STARTER
21	31800-94401	RELAY ASSY, STARTING MOTOR	1	W/ELECTRIC STARTER
22	08310-00067	NUT	2	W/ELECTRIC STARTER
23	08321-01067	WASHER	2	W/ELECTRIC STARTER
24	32919-94400	CLAMP, HIGH TENSION CORD	1	
25	33410-94400	COIL, IGNITION	1	
26	01550-06207	BOLT	2	
27	32916-94400	COVER, CONNECTOR	1	

FIG.36

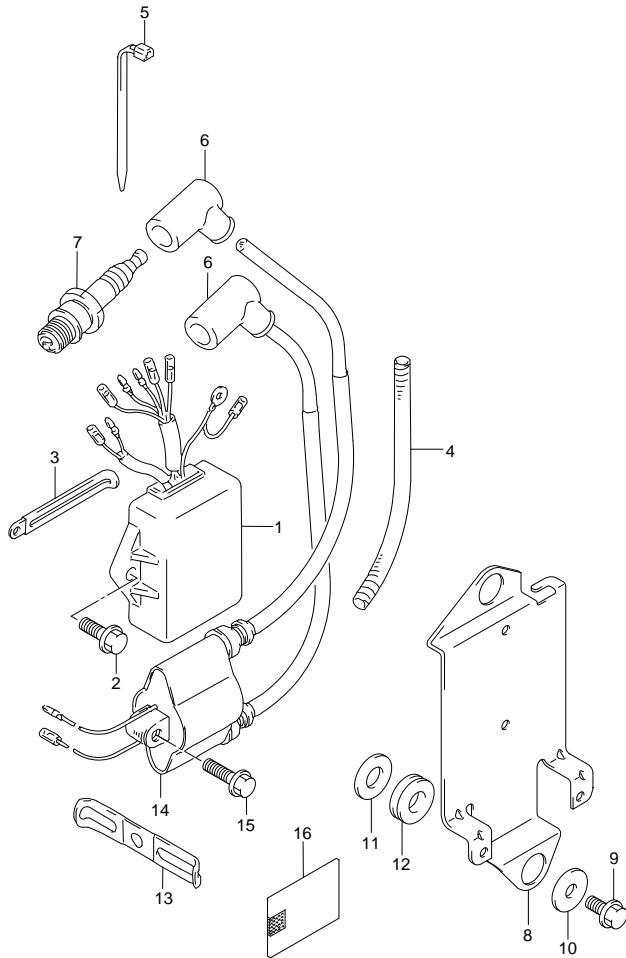


FIG.36 (1-D-13) IGNITION (DT40W P90)

REF. NO.	PART NO.	DESCRIPTION	Q' TY	REMARKS
1	32900-94470	CDI UNIT	1	
2	01550-06127	BOLT	2	
3	29404-93J10	CLAMP	1	
4	33833-91J00	TUBE	1	L:250->100
5	09407-10404	CLAMP (L:100)	2	
6	33510-95520	CAP, SPARK PLUG	2	
7	09482-00370	SPARK PLUG	2	
8	32950-94420	HOLDER, CDI/CONTROL UNIT	1	
9	01550-06127	BOLT	2	
10	09160-06084	WASHER (6.5X18X1.6)	2	
11	09160-12007	WASHER	2	
12	09320-12011	CUSHION	2	
13	32919-94400	CLAMP, HIGH TENSION CORD	1	
14	33410-94400	COIL, IGNITION	1	
15	01550-06207	BOLT	2	
16	32916-94400	COVER, CONNECTOR	1	

FIG.37

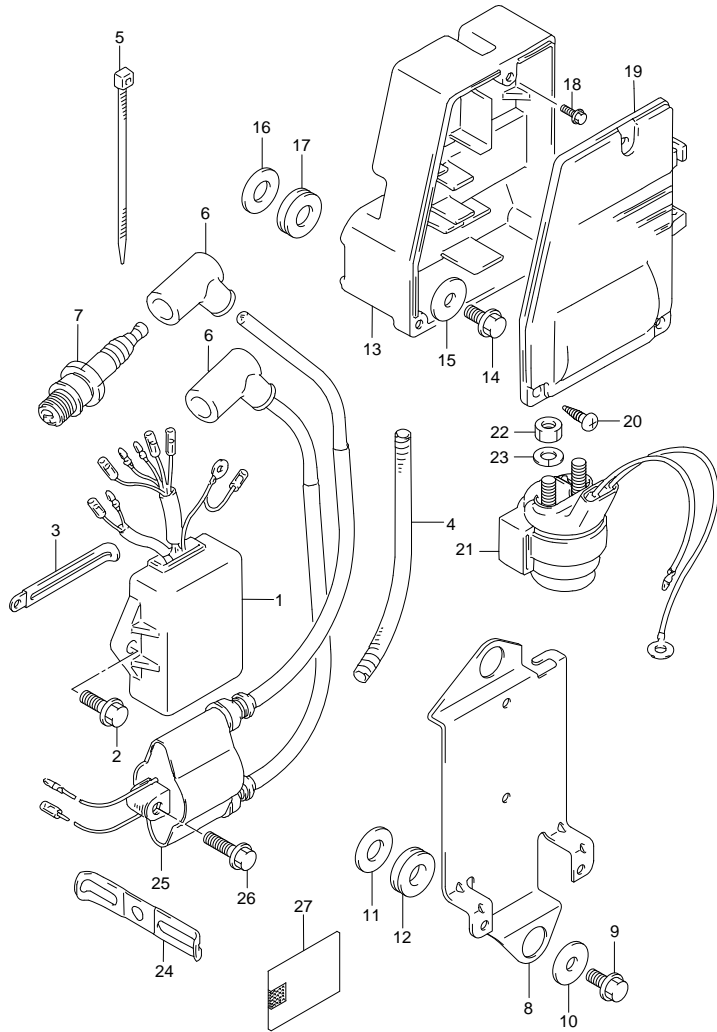


FIG. 37 (1-D-14) IGNITION (DT40WR P40)

REF NO.	PART NO.	DESCRIPTION	Q' TY	REMARKS
1	32900-94470	CDI UNIT	1	
2	01550-06127	BOLT	2	
3	29404-93J10	CLAMP	1	
4	33833-91J00	TUBE	1	L:250->100
5	09407-10404	CLAMP (L:100)	2	
6	33510-95520	CAP, SPARK PLUG	2	
7	09482-00370	SPARK PLUG	2	
8	32950-94420	HOLDER, CDI/CONTROL UNIT	1	
9	01550-06127	BOLT	2	
10	09160-06084	WASHER (6.5X18X1.6)	2	
11	09160-12007	WASHER	2	
12	09320-12011	CUSHION	2	
13	32890-94401	HOLDER, ELECTRIC PARTS	1	
14	09103-06049	BOLT (6X12)	2	
15	09160-06084	WASHER (6.5X18X1.6)	2	
16	09160-12007	WASHER	2	
17	09320-12011	CUSHION	2	
18	01550-06127	BOLT	1	
19	32891-94401	COVER, ELECTRIC PARTS HOLDER	1	
20	03212-0512B	SCREW	3	
21	31800-94401	RELAY ASSY, STARTING MOTOR	1	
22	08310-00067	NUT	2	
23	08321-01067	WASHER	2	
24	32919-94400	CLAMP, HIGH TENSION CORD	1	
25	33410-94400	COIL, IGNITION	1	
26	01550-06207	BOLT	2	
27	32916-94400	COVER, CONNECTOR	1	

FIG.38

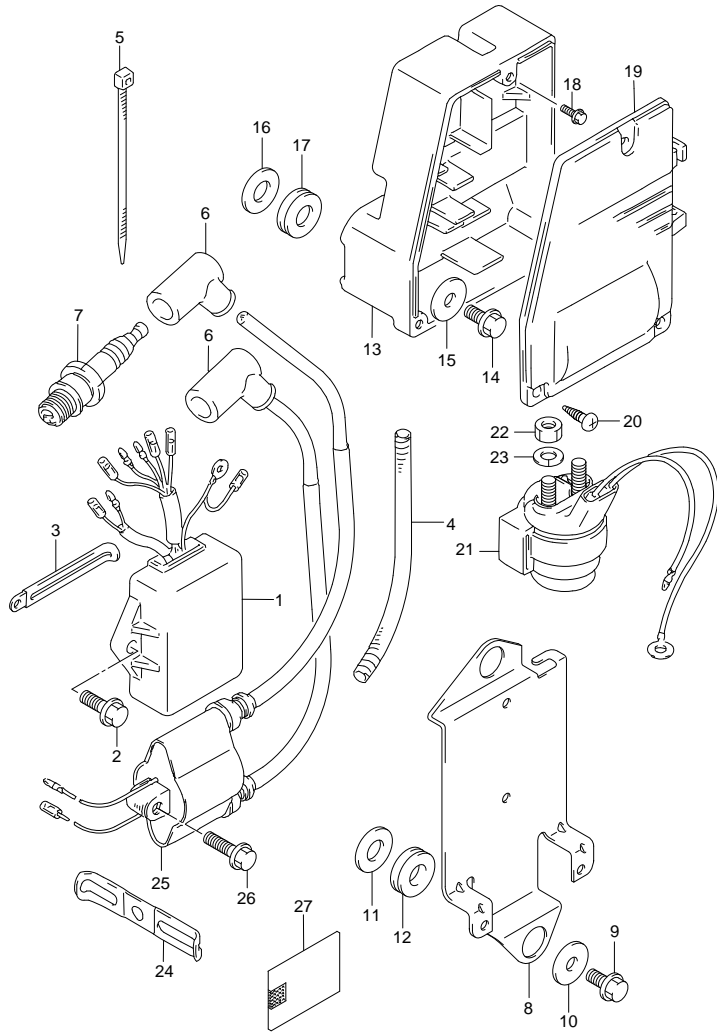


FIG. 38 (1-D-15) IGNITION (DT40WR P90)

REF NO.	PART NO.	DESCRIPTION	Q' TY	REMARKS
1	32900-94470	CDI UNIT	1	
2	01550-06127	BOLT	2	
3	29404-93J10	CLAMP	1	
4	33833-91J00	TUBE	1	L:250->100
5	09407-10404	CLAMP (L:100)	2	
6	33510-95520	CAP, SPARK PLUG	2	
7	09482-00370	SPARK PLUG	2	
8	32950-94420	HOLDER, CDI/CONTROL UNIT	1	
9	01550-06127	BOLT	2	
10	09160-06084	WASHER (6.5X18X1.6)	2	
11	09160-12007	WASHER	2	
12	09320-12011	CUSHION	2	
13	32890-94401	HOLDER, ELECTRIC PARTS	1	
14	09103-06049	BOLT (6X12)	2	
15	09160-06084	WASHER (6.5X18X1.6)	2	
16	09160-12007	WASHER	2	
17	09320-12011	CUSHION	2	
18	01550-06127	BOLT	1	
19	32891-94401	COVER, ELECTRIC PARTS HOLDER	1	
20	03212-0512B	SCREW	3	
21	31800-94401	RELAY ASSY, STARTING MOTOR	1	
22	08310-00067	NUT	2	
23	08321-01067	WASHER	2	
24	32919-94400	CLAMP, HIGH TENSION CORD	1	
25	33410-94400	COIL, IGNITION	1	
26	01550-06207	BOLT	2	
27	32916-94400	COVER, CONNECTOR	1	

FIG.39

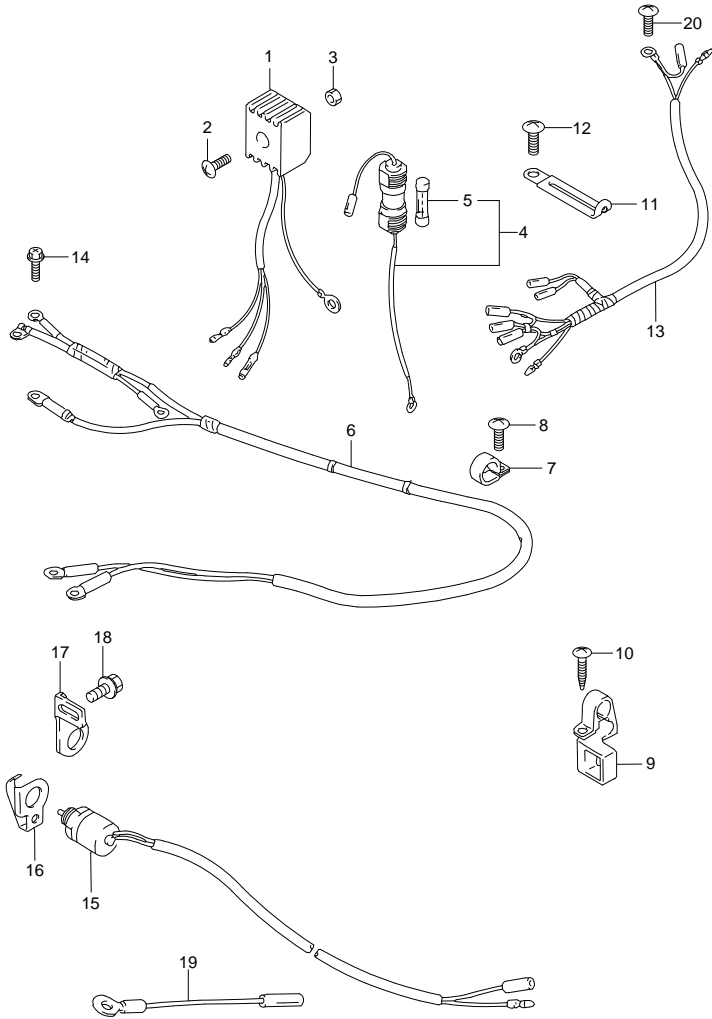


FIG.39 (1-E-2) ELECTRICAL (DT40W P40)

REF NO.	PART NO.	DESCRIPTION	Q'TY	REMARKS
1	32800-95D01	RECTIFIER ASSY	1	W/ELECTRIC STARTER
2	02142-05257	SCREW	1	W/ELECTRIC STARTER
3	08310-00057	NUT	1	W/ELECTRIC STARTER
4	36740-93901	FUSE CASE ASSY	1	W/ELECTRIC STARTER
5	09481-20001	-FUSE (20A)	1	W/ELECTRIC STARTER
6	33810-94411	CABLE ASSY, STARTER	1	W/ELECTRIC STARTER
7	09403-14204	CLAMP	1	W/ELECTRIC STARTER
8	02142-06127	SCREW	1	W/ELECTRIC STARTER
9	33816-96300	CLAMP, CABLE	1	W/ELECTRIC STARTER
10	03241-0625A	SCREW	1	W/ELECTRIC STARTER
11	29404-93J10	CLAMP	2	W/MANUAL STARTER
12	02142-06127	SCREW	1	W/MANUAL STARTER
13	36899-94430	LEAD, OIL FLOW ETC	1	W/MANUAL STARTER
14	02162-06167	BOLT, EARTH	1	W/ELECTRIC STARTER
15	37721-94404	SWITCH ASSY, NEUTRAL	1	W/ELECTRIC STARTER
16	37725-94302	ACTUATOR, NEUTRAL SWITCH	1	W/ELECTRIC STARTER
17	37726-94402	BRACKET, NEUTRAL SWITCH	1	W/ELECTRIC STARTER
18	01580-06167	BOLT	1	W/ELECTRIC STARTER
19	36895-94400	LEAD, ENGINE GROUND	1	
20	02142-06127	SCREW	1	

FIG.40

FIG. 40 (1-E-3) ELECTRICAL (DT40W P90)

REF NO.	PART NO.	DESCRIPTION	Q' TY	REMARKS
1	29404-93J10	CLAMP	2	
2	02142-06127	SCREW	1	
3	36899-94430	LEAD, OIL FLOW ETC	1	
4	36895-94400	LEAD, ENGINE GROUND	1	
5	02142-06127	SCREW	1	

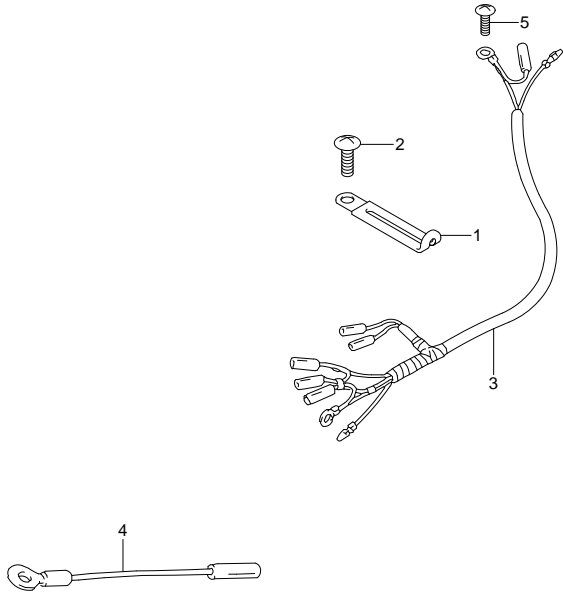


FIG.41

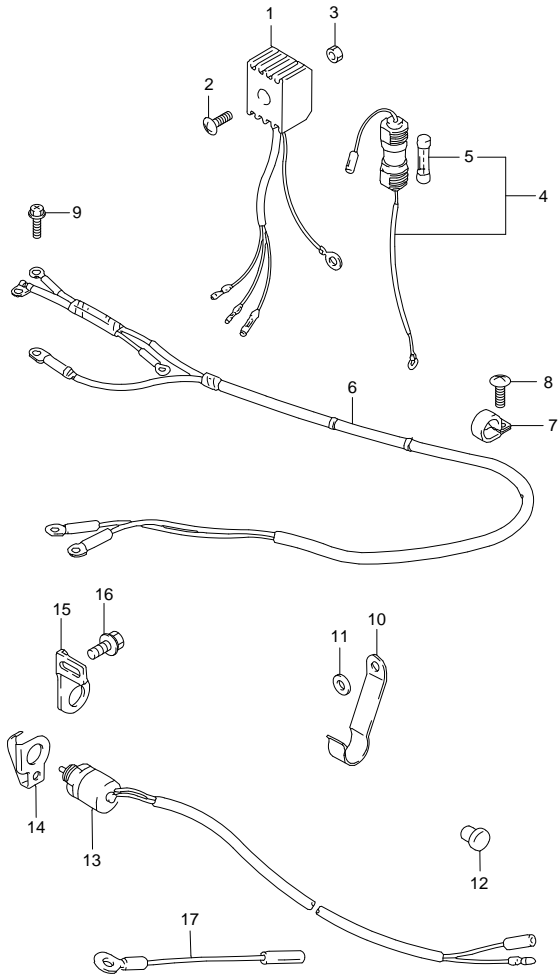


FIG. 41 (1-E-4) ELECTRICAL (DT40WR P40)

REF NO.	PART NO.	DESCRIPTION	Q'TY	REMARKS
1	32800-95D01	RECTIFIER ASSY	1	
2	02142-05257	SCREW	1	
3	08310-00057	NUT	1	
4	36740-93901	FUSE CASE ASSY	1	
5	09481-20001	FUSE (20A)	1	
6	33810-94411	CABLE ASSY, STARTER	1	
7	09403-14204	CLAMP	1	
8	02142-06167	SCREW	1	
9	02162-06167	BOLT, EARTH	1	
10	36791-94504	HOLDER, CONNECTOR	1	
11	08322-01067	WASHER	1	
12	09250-09001	CAP	1	
13	37721-94404	SWITCH ASSY, NEUTRAL	1	
14	37725-94302	ACTUATOR, NEUTRAL SWITCH	1	
15	37726-94402	BRACKET, NEUTRAL SWITCH	1	
16	01580-06167	BOLT	1	
17	36895-94400	LEAD, ENGINE GROUND	1	

FIG.42

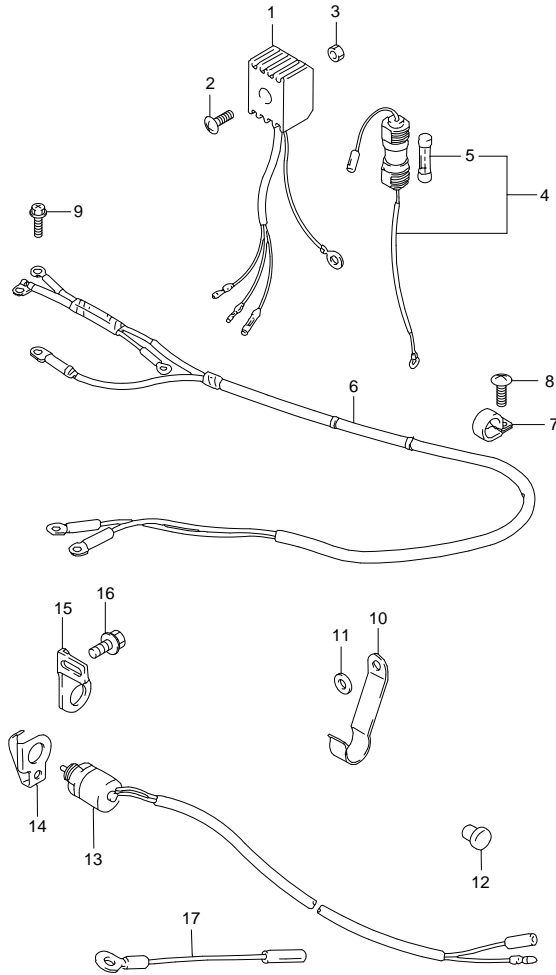


FIG.42 (1-E-5) ELECTRICAL (DT40WR P90)

REF NO.	PART NO.	DESCRIPTION	Q'TY	REMARKS
1	32800-95D01	RECTIFIER ASSY	1	
2	02142-05257	SCREW	1	
3	08310-00057	NUT	1	
4	36740-93901	FUSE CASE ASSY	1	
5	09481-20001	FUSE (20A)	1	
6	33810-94411	CABLE ASSY, STARTER	1	
7	09403-14204	CLAMP	1	
8	02142-06167	SCREW	1	
9	02162-06167	BOLT, EARTH	1	
10	36791-94504	HOLDER, CONNECTOR	1	
11	08322-01067	WASHER	1	
12	09250-09001	CAP	1	
13	37721-94404	SWITCH ASSY, NEUTRAL	1	
14	37725-94302	ACTUATOR, NEUTRAL SWITCH	1	
15	37726-94402	BRACKET, NEUTRAL SWITCH	1	
16	01580-06167	BOLT	1	
17	36895-94400	LEAD, ENGINE GROUND	1	

FIG.43

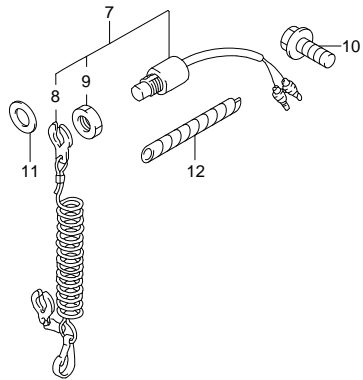
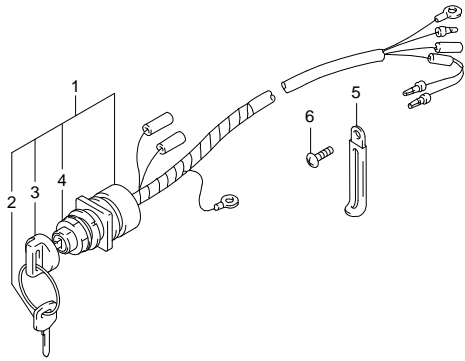


FIG.43 (1-E-6) IGNITION SWITCH (DT40W P40)

REF NO.	PART NO.	DESCRIPTION	Q'TY	REMARKS
1	37110-94470	SWITCH ASSY, IGNITION	1	W/ELECTRIC STARTER
2-1	37141-99EA0	·KEY (941)	1	W/ELECTRIC STARTER
2-2	37141-99EB0	·KEY (942)	1	W/ELECTRIC STARTER
2-3	37141-99E00	·KEY (931)	1	W/ELECTRIC STARTER
2-4	37141-99E10	·KEY (932)	1	W/ELECTRIC STARTER
2-5	37141-99E20	·KEY (933)	1	W/ELECTRIC STARTER
2-6	37141-99E30	·KEY (934)	1	W/ELECTRIC STARTER
2-7	37141-99E40	·KEY (935)	1	W/ELECTRIC STARTER
2-8	37141-99E50	·KEY (936)	1	W/ELECTRIC STARTER
2-9	37141-99E60	·KEY (937)	1	W/ELECTRIC STARTER
2-10	37141-99E70	·KEY (938)	1	W/ELECTRIC STARTER
2-11	37141-99E80	·KEY (939)	1	W/ELECTRIC STARTER
2-12	37141-99E90	·KEY (940)	1	W/ELECTRIC STARTER
3	37143-99E00	·CAP, KEY	1	W/ELECTRIC STARTER
4	37149-93J00	·CAP, CYLINDER BODY	1	W/ELECTRIC STARTER
5	29404-93J10	CLAMP	1	W/ELECTRIC STARTER
6	02142-06127	SCREW	1	W/ELECTRIC STARTER
7	37830-92L00	SWITCH ASSY, EMERGENCY & STOP	1	
8	37823-92E01	·PLATE, LOCK	1	
9	37826-92E00	·NUT	1	
10	01550-06127	BOLT	1	
11	09160-25069	WASHER (25X40X1.1)	1	W/ELECTRIC STARTER
12	33833-91J00	TUBE (L:250)	1	L:250->100
13	37835-95D00	LABEL, STOP	1	W/MANUAL STARTER

FIG.44

FIG.44 (1-E-7) IGNITION SWITCH (DT40W P90)

REF NO.	PART NO.	DESCRIPTION	Q' TY	REMARKS
1	37830-92L00	SWITCH ASSY, EMERGENCY & STOP	1	
2	37823-92E01	·PLATE, LOCK	1	
3	37826-92E00	·NUT	1	
4	01550-06127	BOLT	1	
5	33833-91J00	TUBE (L:250)	1	L:250→100
6	37835-95D00	LABEL, STOP	1	

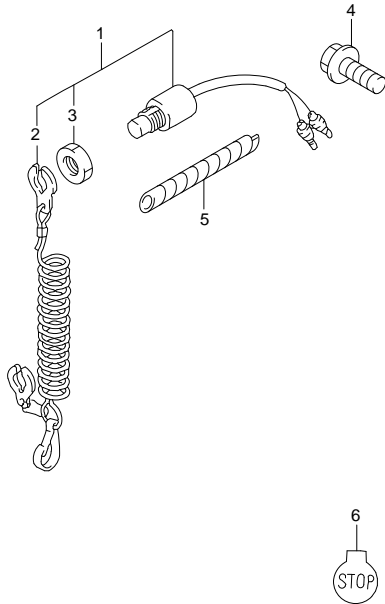


FIG.45

FIG.45 (1-E-8) IGNITION SWITCH (DT40WR P40)

REF NO.	PART NO.	DESCRIPTION	Q' TY	REMARKS
1	36610-94411	HARNES ASSY, WIRING	1	
2	36612-94421	GROMMET	1	
3	09407-12402	CLAMP(L:120)	1	
4	38600-94400	SOLENOID ASSY, CHOKE	1	
5	02112-35127	SCREW	2	

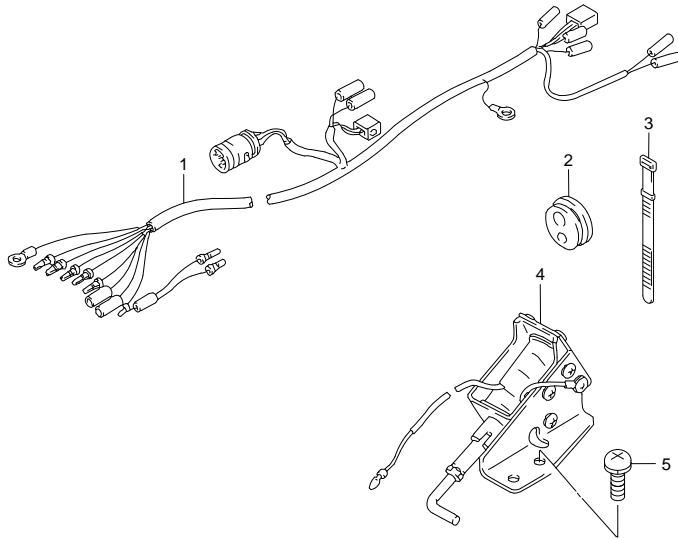


FIG.46

FIG.46 (1-E-9) IGNITION SWITCH (DT40WR P90)

REF NO.	PART NO.	DESCRIPTION	Q' TY	REMARKS
1	36610-94411	HARNESS ASSY, WIRING	1	
2	36612-94421	GROMMET	1	
3	09407-12402	CLAMP(L:120)	1	
4	38600-94400	SOLENOID ASSY, CHOKE	1	
5	02112-35127	SCREW	2	

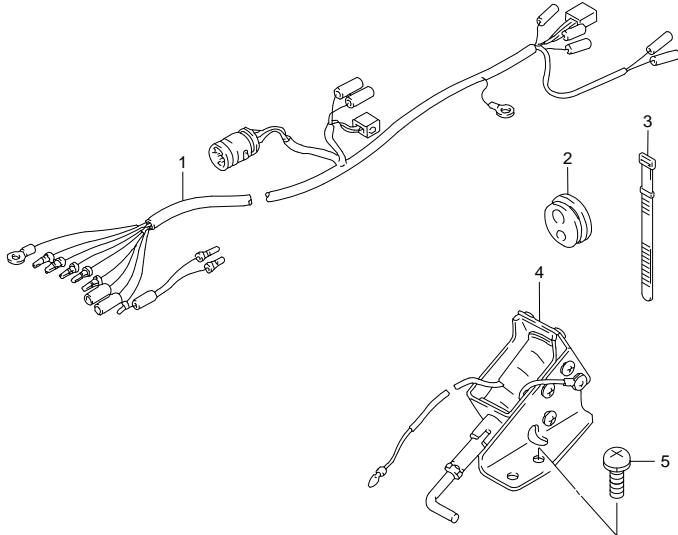


FIG.47

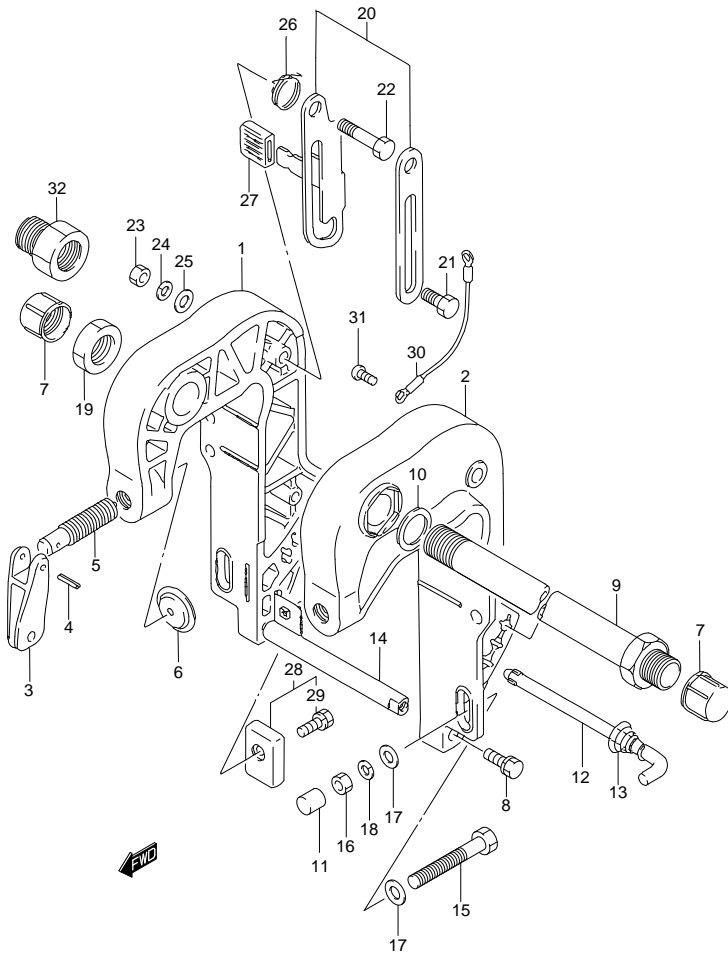


FIG.47 (1-E-10) CLAMP BRACKET (DT40W P40)

REF NO.	PART NO.	DESCRIPTION	QTY	REMARKS
1	41111-92L10-0EP	BRACKET, CLAMP STBD (BLACK)	1	OPT
2	41121-92L10-0EP	BRACKET, CLAMP PORT (BLACK)	1	OPT
3	41212-91L00-0EP	HANDLE, CLAMP (BLACK)	2	
4	09205-06007	SPRING	2	
5	41211-94302	SCREW, CLAMP	2	
6	41213-98100	PLATE, CLAMP	2	
7	41151-94500	CAP, CLAMP BRACKET SHAFT	2	
8	09117-08071	BOLT (8X35)	2	
9	41130-94422	SHAFT, CLAMP BRACKET	1	
10	09160-22033	WASHER (22.5X38X1)	1	
11	41153-96300	CAP, TRANSOM BOLT	2	
12	45420-94311	PIN, TILT LOCK	1	
13	09441-17002	·SPRING	1	
14	41310-94400	ROD, CLAMP BRACKET LOWER	1	
15	09100-08239	BOLT (8X90)	2	
16	09140-08023-XC0	NUT	2	
17	09160-08081	WASHER (8.5X23X1.5)	4	
18	29162-93J10	LOCK WASHER	2	
19	09159-22006	NUT	1	
20	41200-94400	ARM ASSY, TILT	1	
21	09111-10032	BOLT (10X20.4)	2	
22	09111-10033	BOLT (10X54.5)	2	
23	29141-93J20	NUT	2	
24	09162-10005	LOCK WASHER	2	
25	09160-10082	WASHER (10.5X19X2)	2	
26	09448-29009	SPRING	1	
27	41225-94400	RUBBER, TILT LOCK	1	
28	55320-95311	ZINC SET, PROTECTION	1	
29	09116-06094	·BOLT (6X15)	1	
30	36894-95201	LEAD	1	
31	29125-93J10	SCREW	2	
32	41141-94301	ATTACHMENT, STEERING CABLE	1	OPT

FIG.48

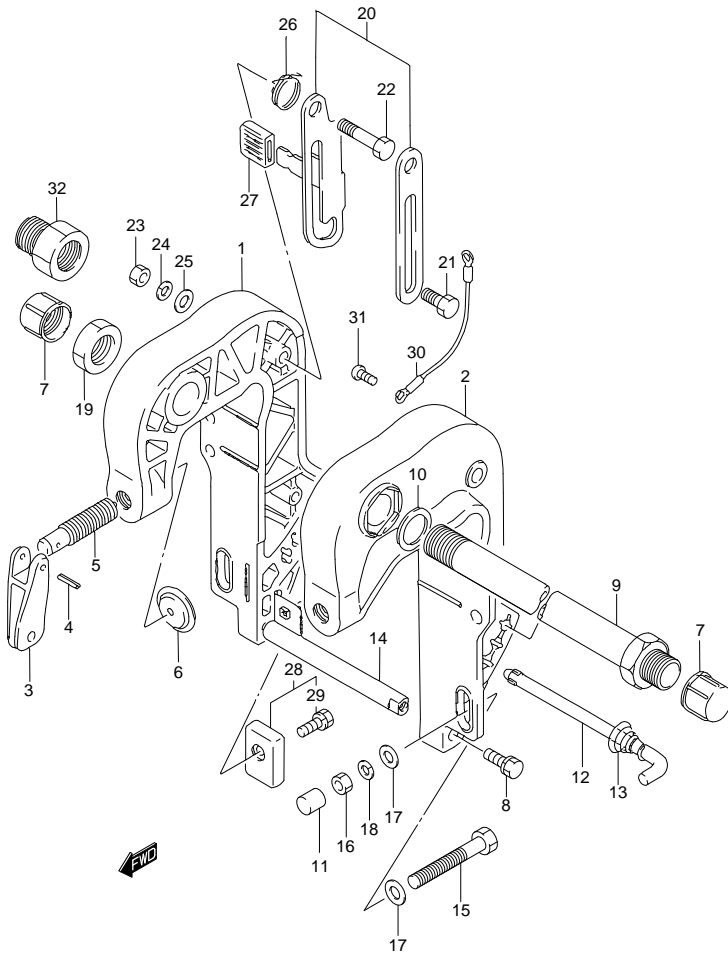


FIG.48 (1-E-11) CLAMP BRACKET (DT40W P90)

REF NO.	PART NO.	DESCRIPTION	QTY	REMARKS
1	41111-92L10-0EP	BRACKET, CLAMP STBD (BLACK)	1	OPT
2	41121-92L10-0EP	BRACKET, CLAMP PORT (BLACK)	1	OPT
3	41212-91L00-0EP	HANDLE, CLAMP (BLACK)	2	
4	09205-06007	SPRING	2	
5	41211-94302	SCREW, CLAMP	2	
6	41213-98100	PLATE, CLAMP	2	
7	41151-94500	CAP, CLAMP BRACKET SHAFT	2	
8	09117-08071	BOLT (8X35)	2	
9	41130-94422	SHAFT, CLAMP BRACKET	1	
10	09160-22033	WASHER (22.5X38X1)	1	
11	41153-96300	CAP, TRANSOM BOLT	2	
12	45420-94311	PIN, TILT LOCK	1	
13	09441-17002	·SPRING	1	
14	41310-94400	ROD, CLAMP BRACKET LOWER	1	
15	09100-08239	BOLT (8X90)	2	
16	09140-08023-XC0	NUT	2	
17	09160-08081	WASHER (8.5X23X1.5)	4	
18	29162-93J10	LOCK WASHER	2	
19	09159-22006	NUT	1	
20	41200-94400	ARM ASSY, TILT	1	
21	09111-10032	BOLT (10X20.4)	2	
22	09111-10033	BOLT (10X54.5)	2	
23	29141-93J20	NUT	2	
24	09162-10005	LOCK WASHER	2	
25	09160-10082	WASHER (10.5X19X2)	2	
26	09448-29009	SPRING	1	
27	41225-94400	RUBBER, TILT LOCK	1	
28	55320-95311	ZINC SET, PROTECTION	1	
29	09116-06094	·BOLT (6X15)	1	
30	36894-95201	LEAD	1	
31	29125-93J10	SCREW	2	
32	41141-94301	ATTACHMENT, STEERING CABLE	1	OPT

FIG.49

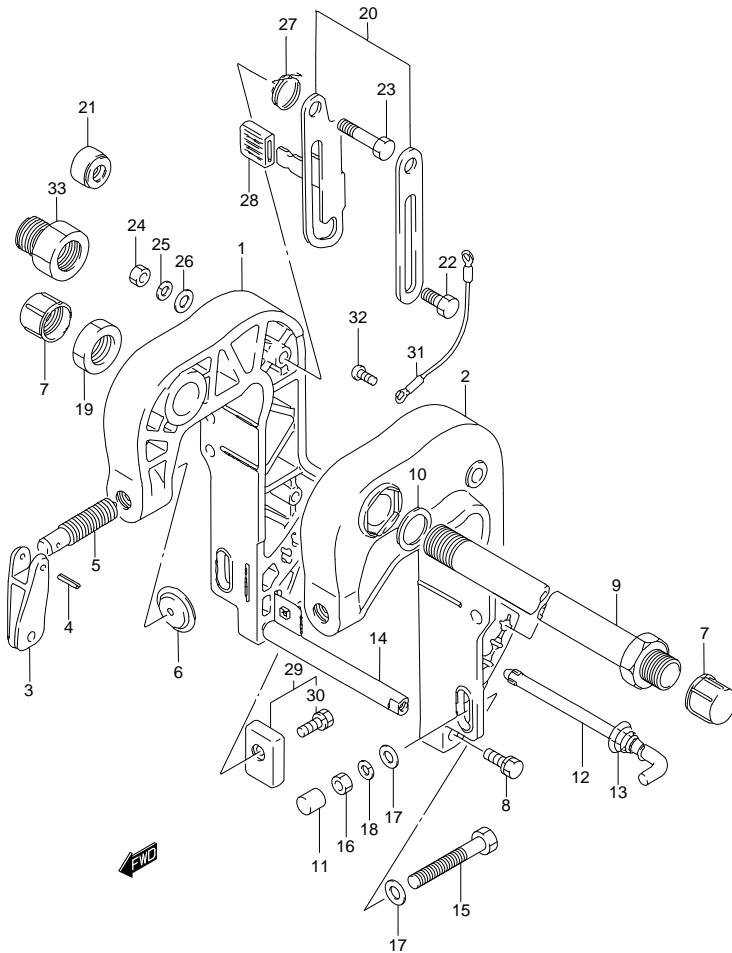


FIG.49 (1-E-12) CLAMP BRACKET (DT40WR P40)

REF NO.	PART NO.	DESCRIPTION	Q'TY	REMARKS
1	41111-92L10-0EP	BRACKET, CLAMP STBD (BLACK)	1	OPT
2	41121-92L10-0EP	BRACKET, CLAMP PORT (BLACK)	1	OPT
3	41212-91L00-0EP	HANDLE, CLAMP (BLACK)	2	
4	09205-06007	SPRING	2	
5	41211-94302	SCREW, CLAMP	2	
6	41213-98100	PLATE, CLAMP	2	
7	41151-94500	CAP, CLAMP BRACKET SHAFT	2	
8	09117-08071	BOLT (8X35)	2	
9	41130-94422	SHAFT, CLAMP BRACKET	1	
10	09160-22033	WASHER (22.5X38X1)	1	
11	41153-96300	CAP, TRANSOM BOLT	2	
12	45420-94311	PIN, TILT LOCK	1	
13	09441-17002	·SPRING	1	
14	41310-94400	ROD, CLAMP BRACKET LOWER	1	
15	09100-08239	BOLT (8X90)	2	
16	09140-08023-XC0	NUT	2	
17	09160-08081	WASHER (8.5X23X1.5)	4	
18	29162-93J10	LOCK WASHER	2	
19	09159-22006	NUT	1	
20	41200-94400	ARM ASSY, TILT	1	
21	41161-94400	SEAL, STEERING CABLE	1	
22	09111-10032	BOLT (10X20.4)	2	
23	09111-10033	BOLT (10X54.5)	2	
24	29141-93J20	NUT	2	
25	09162-10005	LOCK WASHER	2	
26	09160-10082	WASHER (10.5X19X2)	2	
27	09448-29009	SPRING	1	
28	41225-94400	RUBBER, TILT LOCK	1	
29	55320-95311	ZINC SET, PROTECTION	1	
30	09116-06094	·BOLT (6X15)	1	
31	36894-95201	LEAD	1	
32	29125-93J10	SCREW	2	
33	41141-94301	ATTACHMENT, STEERING CABLE	1	OPT

FIG.50

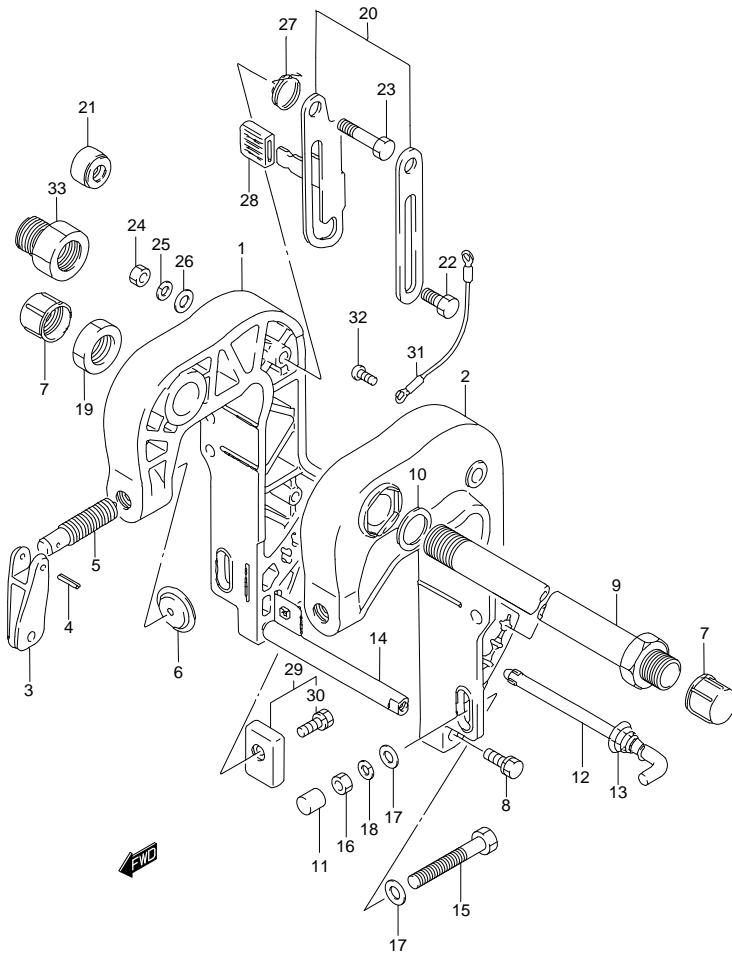


FIG. 50 (1-E-13) CLAMP BRACKET (DT40WR P90)

REF NO.	PART NO.	DESCRIPTION	Q'TY	REMARKS
1	41111-92L10-0EP	BRACKET, CLAMP STBD (BLACK)	1	OPT
2	41121-92L10-0EP	BRACKET, CLAMP PORT (BLACK)	1	OPT
3	41212-91L00-0EP	HANDLE, CLAMP (BLACK)	2	
4	09205-06007	SPRING	2	
5	41211-94302	SCREW, CLAMP	2	
6	41213-98100	PLATE, CLAMP	2	
7	41151-94500	CAP, CLAMP BRACKET SHAFT	2	
8	09117-08071	BOLT (8X35)	2	
9	41130-94422	SHAFT, CLAMP BRACKET	1	
10	09160-22033	WASHER (22.5X38X1)	1	
11	41153-96300	CAP, TRANSOM BOLT	2	
12	45420-94311	PIN, TILT LOCK	1	
13	09441-17002	·SPRING	1	
14	41310-94400	ROD, CLAMP BRACKET LOWER	1	
15	09100-08239	BOLT (8X90)	2	
16	09140-08023-XC0	NUT	2	
17	09160-08081	WASHER (8.5X23X1.5)	4	
18	29162-93J10	LOCK WASHER	2	
19	09159-22006	NUT	1	
20	41200-94400	ARM ASSY, TILT	1	
21	41161-94400	SEAL, STEERING CABLE	1	
22	09111-10032	BOLT (10X20.4)	2	
23	09111-10033	BOLT (10X54.5)	2	
24	29141-93J20	NUT	2	
25	09162-10005	LOCK WASHER	2	
26	09160-10082	WASHER (10.5X19X2)	2	
27	09448-29009	SPRING	1	
28	41225-94400	RUBBER, TILT LOCK	1	
29	55320-95311	ZINC SET, PROTECTION	1	
30	09116-06094	·BOLT (6X15)	1	
31	36894-95201	LEAD	1	
32	29125-93J10	SCREW	2	
33	41141-94301	ATTACHMENT, STEERING CABLE	1	OPT

FIG.51

FIG. 51 (1-E-14) SWIVEL BRACKET (DT40W P40)

REF NO.	PART NO.	DESCRIPTION	Q'TY	REMARKS
1	22511-99011	NIPPLE, GREASE	3	
2	36894-94401	LEAD (SWIVEL TO MOUNT)	1	
3	43111-92L00-0EP	BRACKET, SWIVEL (BLACK)	1	
4	43211-87JL0	BUSH, SWIVEL BRACKET	2	
5	43711-97E00	BUSH, STEERING	2	
6	43750-92L00-0EP	BRACKET, STEERING (BLACK)	1	
7	29125-93J10	SCREW	2	
8	09160-39001	WASHER (39.5X64X1)	3	
9	09181-39001	SHIM (39.5X64X0.3)	AR	
10	09282-39001	OIL SEAL (39X51X5)	1	
11	09380-38003	CIRCLIP	1	
12	41225-94502	PIN, RELEASE ARM	1	
13	45231-92L00	ARM, RELEASE LOCK	1	
14	45241-94400	LINK, RELEASE LOCK ARM	1	
15	45250-94400	LINK, RELEASE	1	
16	45255-93001	RUBBER, RELEASE LEVER	1	
17	45261-94400	LEVER, RELEASE	1	
18	09160-08091	WASHER (8.5X14X1.0)	1	
19	09200-05015	PIN	1	
20	09200-08043	PIN	1	
21	09204-01002	PIN	2	
22	09306-22006	BUSH	2	
23	09443-15031	SPRING	2	
24	09448-29018	SPRING	1	
25	43411-97E00	ADJUSTER, STEERING	1	
26	43412-93900	COVER, STEERING ADJUSTER	1	
27	29101-93J00	BOLT, STEERING ADJUSTER (8X35)	1	
28	09160-08091	WASHER (8.5X14X1.0)	1	
29	29440-93J00	SPRING, STEERING ADJUSTER	1	
30	45700-92L00	SHALLOW WATER DRIVE ASSY	1	OPT
31	45713-92L00	·STOPPER, SHALLOW WATER	1	OPT
32	09111-10045	·BOLT (10X20.8)	2	OPT
33	09117-06030	·BOLT (6X16)	1	OPT
34	09443-12039	·SPRING	1	OPT

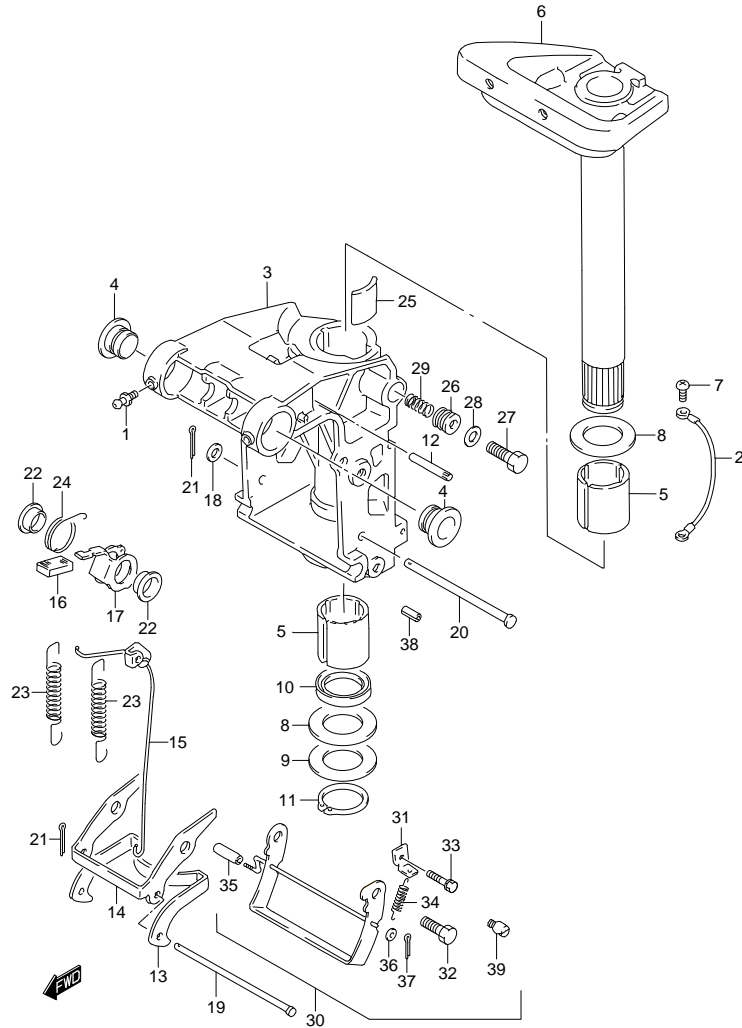


FIG.51

FIG. 51 (1-E-15) SWIVEL BRACKET (DT40W P40)

REF NO.	PART NO.	DESCRIPTION	QTY	REMARKS
35	45255-95500	·KNOB, RELEASE LEVER	1	OPT
36	09160-05029	·WASHER (5.5X12X0.8)	1	OPT
37	09204-01002	·PIN	1	OPT
38	09205-08002	·SPRING	1	OPT
39	45331-94610	·PIN, SHALLOW DRIVE	1	OPT

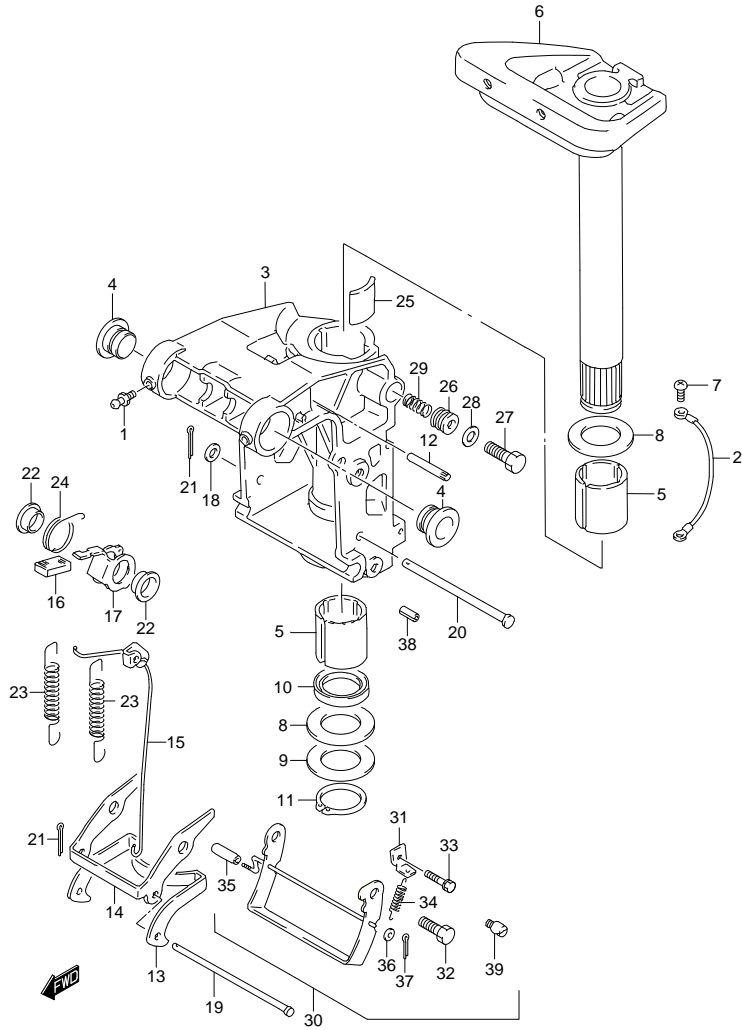


FIG.52

FIG.52 (1-F-2) SWIVEL BRACKET (DT40W P90)

REF NO.	PART NO.	DESCRIPTION	Q' TY	REMARKS
1	22511-99011	NIPPLE, GREASE	3	
2	36894-94401	LEAD (SWIVEL TO MOUNT)	1	
3	43111-92L00-0EP	BRACKET, SWIVEL (BLACK)	1	
4	43211-87JL0	BUSH, SWIVEL BRACKET	2	
5	43711-97E00	BUSH, STEERING	2	
6	43750-92L00-0EP	BRACKET, STEERING (BLACK)	1	
7	29125-93J10	SCREW	2	
8	09160-39001	WASHER (39.5X64X1)	3	
9	09181-39001	SHIM (39.5X64X0.3)	AR	
10	09282-39001	OIL SEAL (39X51X5)	1	
11	09380-38003	CIRCLIP	1	
12	41225-94502	PIN, RELEASE ARM	1	
13	45231-92L00	ARM, RELEASE LOCK	1	
14	45241-94400	LINK, RELEASE LOCK ARM	1	
15	45250-94400	LINK, RELEASE	1	
16	45255-93001	RUBBER, RELEASE LEVER	1	
17	45261-94400	LEVER, RELEASE	1	
18	09160-08091	WASHER (8.5X14X1.0)	1	
19	09200-05015	PIN	1	
20	09200-08043	PIN	1	
21	09204-01002	PIN	2	
22	09306-22006	BUSH	2	
23	09443-15031	SPRING	2	
24	09448-29018	SPRING	1	
25	43411-97E00	ADJUSTER, STEERING	1	
26	43412-93900	COVER, STEERING ADJUSTER	1	
27	29101-93J00	BOLT, STEERING ADJUSTER (8X35)	1	
28	09160-08091	WASHER (8.5X14X1.0)	1	
29	29440-93J00	SPRING, STEERING ADJUSTER	1	
30	45255-95500	KNOB, RELEASE LEVER	1	
31	45713-92L00	STOPPER, SHALLOW WATER DRIVE	1	
32	09111-10032	BOLT (10X20.4)	2	
33	09117-06030	BOLT (6X16)	1	
34	09160-05029	WASHER (5.5X12X0.8)	1	

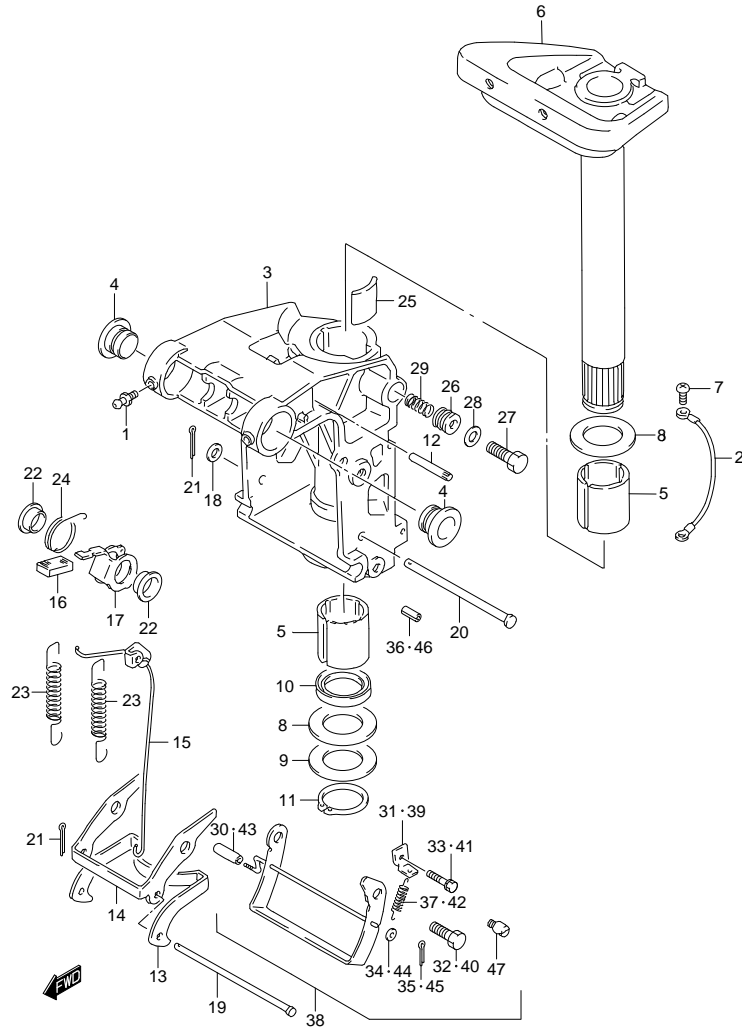


FIG.52

FIG. 52 (1-F-3) SWIVEL BRACKET (DT40W P90)

REF NO.	PART NO.	DESCRIPTION	Q'TY	REMARKS
35	09204-01002	PIN	1	
36	09205-08002	SPRING	1	
37	09443-12039	SPRING	1	
38	45700-92L00	SHALLOW WATER DRIVE ASSY	1	OPT
39	45713-92L00	·STOPPER, SHALLOW WATER	1	OPT
40	09111-10045	·BOLT (10X20.8)	2	OPT
41	09117-06030	·BOLT (6X16)	1	OPT
42	09443-12039	·SPRING	1	OPT
43	45255-95500	·KNOB, RELEASE LEVER	1	OPT
44	09160-05029	·WASHER (5.5X12X0.8)	1	OPT
45	09204-01002	·PIN	1	OPT
46	09205-08002	·SPRING	1	OPT
47	45331-94610	·PIN, SHALLOW DRIVE	1	OPT

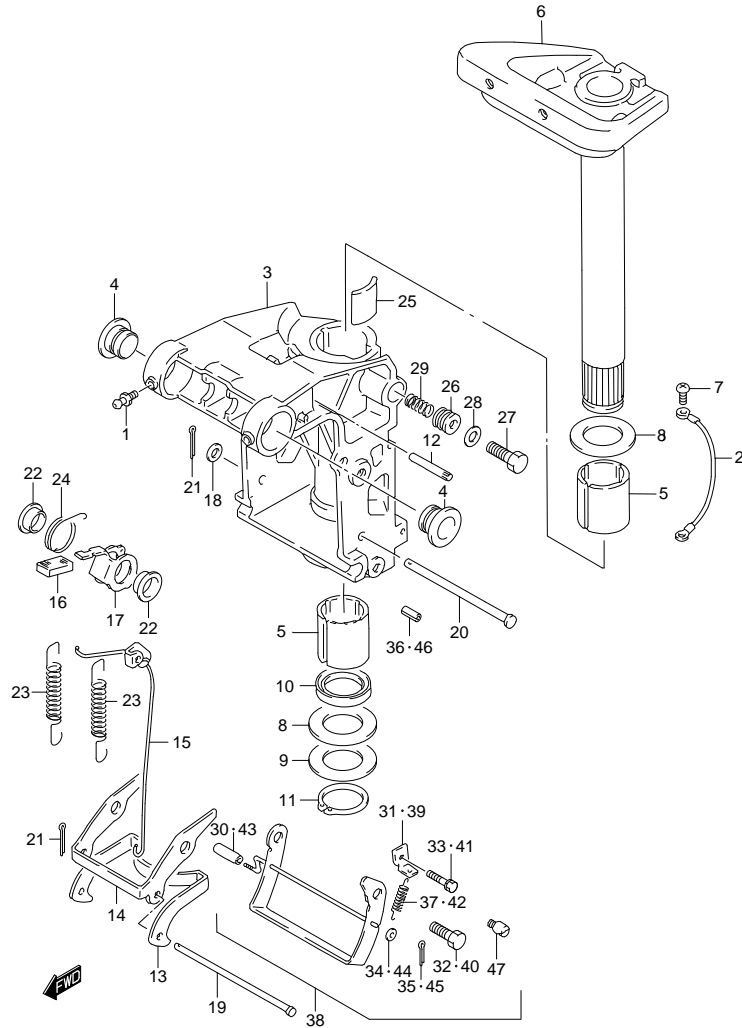


FIG.53

FIG. 53 (1-F-4) SWIVEL BRACKET (DT40WR P40)

REF NO.	PART NO.	DESCRIPTION	Q'TY	REMARKS
1	22511-99011	NIPPLE, GREASE	3	
2	36894-94401	LEAD (SWIVEL TO MOUNT)	1	
3	43111-92L00-0EP	BRACKET, SWIVEL (BLACK)	1	
4	43211-87JL0	BUSH, SWIVEL BRACKET	2	
5	43711-97E00	BUSH, STEERING	2	
6	43750-92L00-0EP	BRACKET, STEERING (BLACK)	1	
7	29125-93J10	SCREW	2	
8	09160-39001	WASHER (39.5X64X1)	3	
9	09181-39001	SHIM (39.5X64X0.3)	AR	
10	09282-39001	OIL SEAL (39X51X5)	1	
11	09380-38003	CIRCLIP	1	
12	41225-94502	PIN, RELEASE ARM	1	
13	45231-92L00	ARM, RELEASE LOCK	1	
14	45241-94400	LINK, RELEASE LOCK ARM	1	
15	45250-94400	LINK, RELEASE	1	
16	45255-93001	RUBBER, RELEASE LEVER	1	
17	45261-94400	LEVER, RELEASE	1	
18	09160-08091	WASHER (8.5X14X1.0)	1	
19	09200-05015	PIN	1	
20	09200-08043	PIN	1	
21	09204-01002	PIN	2	
22	09306-22006	BUSH	2	
23	09443-15031	SPRING	2	
24	09448-29018	SPRING	1	
25	43755-97E01	ATTACHMENT, STEERING BRACKET	1	
26	09100-10311	BOLT (10X25)	2	
27	09162-10005	LOCK WASHER	2	
28	43411-97E00	ADJUSTER, STEERING	1	
29	43412-93900	COVER, STEERING ADJUSTER	1	
30	29101-93J00	BOLT, STEERING ADJUSTER (8X35)	1	
31	09160-08091	WASHER (8.5X14X1.0)	1	
32	29440-93J00	SPRING, STEERING ADJUSTER	1	
33	45700-92L00	SHALLOW WATER DRIVE ASSY	1	OPT
34	45713-92L00	·STOPPER, SHALLOW WATER	1	OPT

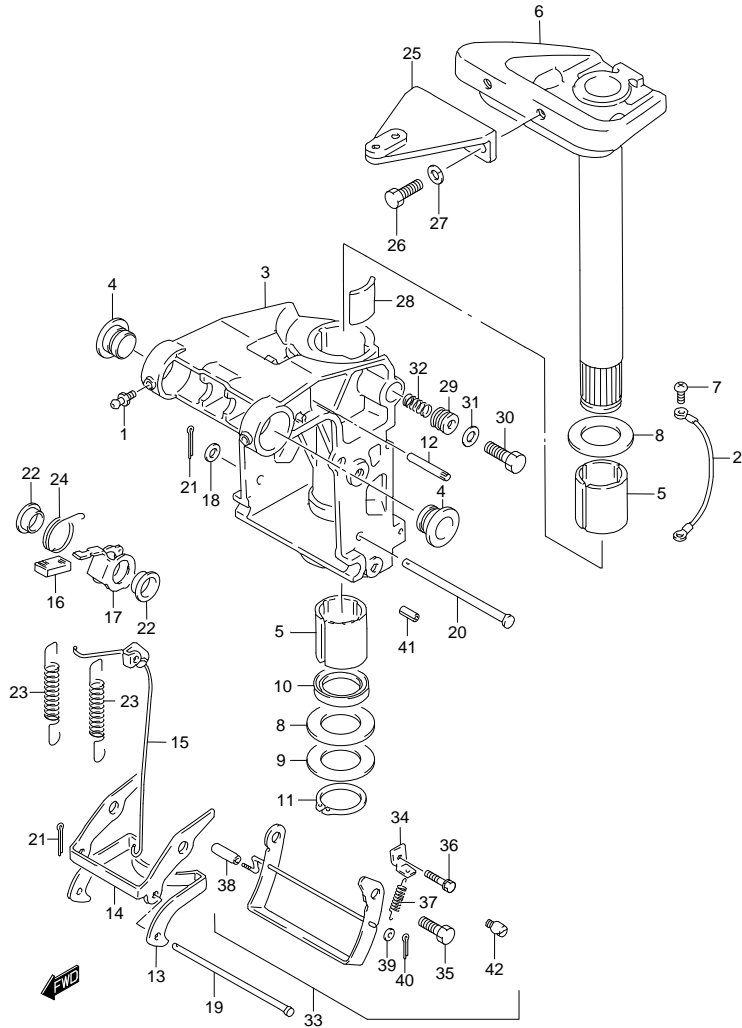


FIG.53

FIG. 53 (1-F-5) SWIVEL BRACKET (DT40WR P40)

REF NO.	PART NO.	DESCRIPTION	Q'TY	REMARKS
35	09111-10045	·BOLT (10X20.8)	2	OPT
36	09117-06030	·BOLT (6X16)	1	OPT
37	09443-12039	·SPRING	1	OPT
38	45255-95500	·KNOB, RELEASE LEVER	1	OPT
39	09160-05029	·WASHER (5.5X12X0.8)	1	OPT
40	09204-01002	·PIN	1	OPT
41	09205-08002	·SPRING	1	OPT
42	45331-94610	·PIN, SHALLOW DRIVE	1	OPT

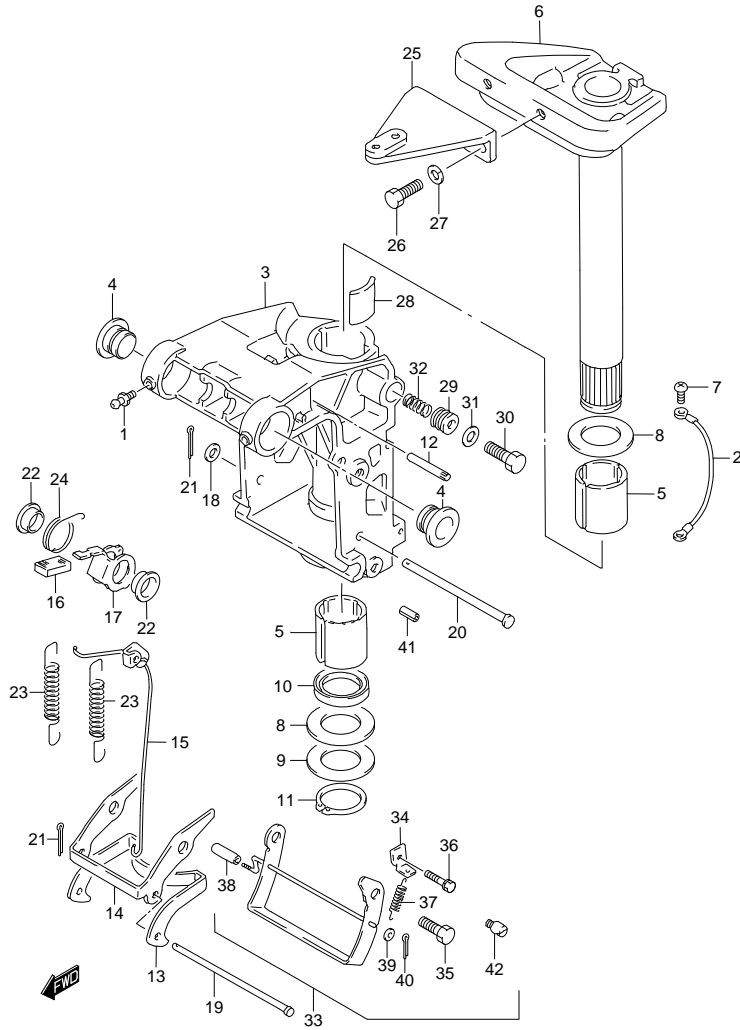


FIG.54

FIG. 54 (1-F-6) SWIVEL BRACKET (DT40WR P90)

REF NO.	PART NO.	DESCRIPTION	Q'TY	REMARKS
1	22511-99011	NIPPLE, GREASE	3	
2	36894-94401	LEAD (SWIVEL TO MOUNT)	1	
3	43111-92L00-0EP	BRACKET, SWIVEL (BLACK)	1	
4	43211-87JL0	BUSH, SWIVEL BRACKET	2	
5	43711-97E00	BUSH, STEERING	2	
6	43750-92L00-0EP	BRACKET, STEERING (BLACK)	1	
7	29125-93J10	SCREW	2	
8	09160-39001	WASHER (39.5X64X1)	3	
9	09181-39001	SHIM (39.5X64X0.3)	AR	
10	09282-39001	OIL SEAL (39X51X5)	1	
11	09380-38003	CIRCLIP	1	
12	41225-94502	PIN, RELEASE ARM	1	
13	45231-92L00	ARM, RELEASE LOCK	1	
14	45241-94400	LINK, RELEASE LOCK ARM	1	
15	45250-94400	LINK, RELEASE	1	
16	45255-93001	RUBBER, RELEASE LEVER	1	
17	45261-94400	LEVER, RELEASE	1	
18	09160-08091	WASHER (8.5X14X1.0)	1	
19	09200-05015	PIN	1	
20	09200-08043	PIN	1	
21	09204-01002	PIN	2	
22	09306-22006	BUSH	2	
23	09443-15031	SPRING	2	
24	09448-29018	SPRING	1	
25	43755-97E01	ATTACHMENT, STEERING BRACKET	1	
26	09100-10311	BOLT (10X25)	2	
27	09162-10005	LOCK WASHER	2	
28	43411-97E00	ADJUSTER, STEERING	1	
29	43412-93900	COVER, STEERING ADJUSTER	1	
30	29101-93J00	BOLT, STEERING ADJUSTER (8X35)	1	
31	09160-08091	WASHER (8.5X14X1.0)	1	
32	29440-93J00	SPRING, STEERING ADJUSTER	1	
33	45255-95500	KNOB, RELEASE LEVER	1	
34	45713-92L00	STOPPER, SHALLOW WATER DRIVE	1	

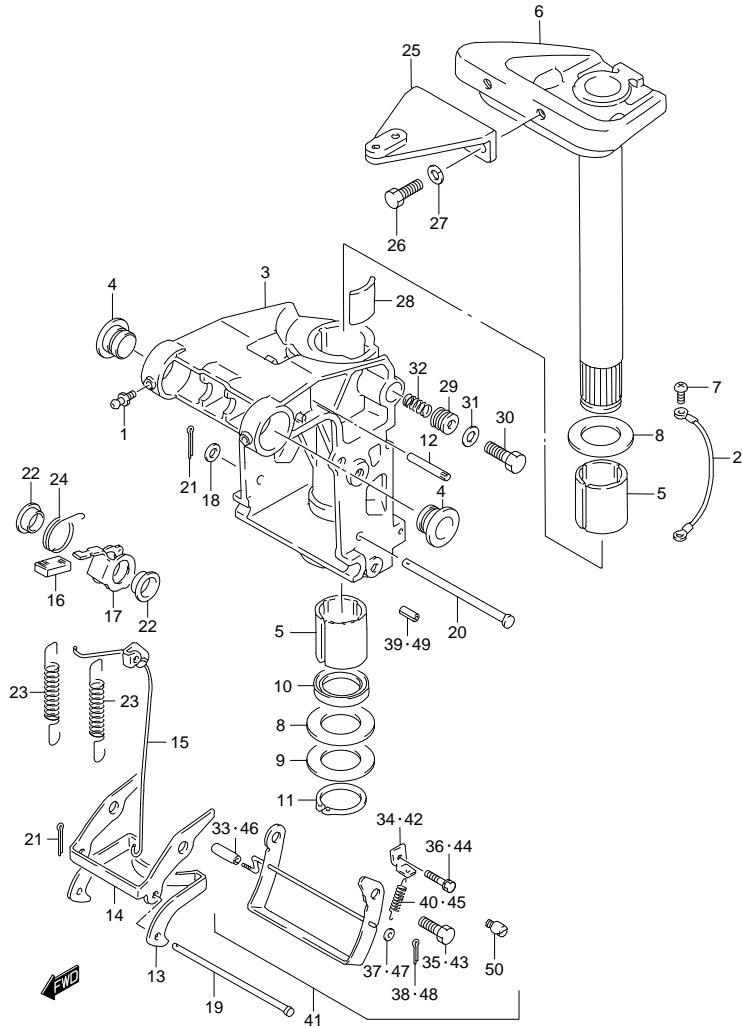


FIG.54

FIG. 54 (1-F-7) SWIVEL BRACKET (DT40WR P90)

REF NO.	PART NO.	DESCRIPTION	QTY	REMARKS
35	09111-10032	BOLT (10X20.4)	2	
36	09117-06030	BOLT (6X16)	1	
37	09160-05029	WASHER (5.5X12X0.8)	1	
38	09204-01002	PIN	1	
39	09205-08002	SPRING	1	
40	09443-12039	SPRING	1	
41	45700-92L00	SHALLOW WATER DRIVE ASSY	1	OPT
42	45713-92L00	·STOPPER, SHALLOW WATER	1	OPT
43	09111-10045	·BOLT (10X20.8)	2	OPT
44	09117-06030	·BOLT (6X16)	1	OPT
45	09443-12039	·SPRING	1	OPT
46	45255-95500	·KNOB, RELEASE LEVER	1	OPT
47	09160-05029	·WASHER (5.5X12X0.8)	1	OPT
48	09204-01002	·PIN	1	OPT
49	09205-08002	·SPRING	1	OPT
50	45331-94610	·PIN, SHALLOW DRIVE	1	OPT

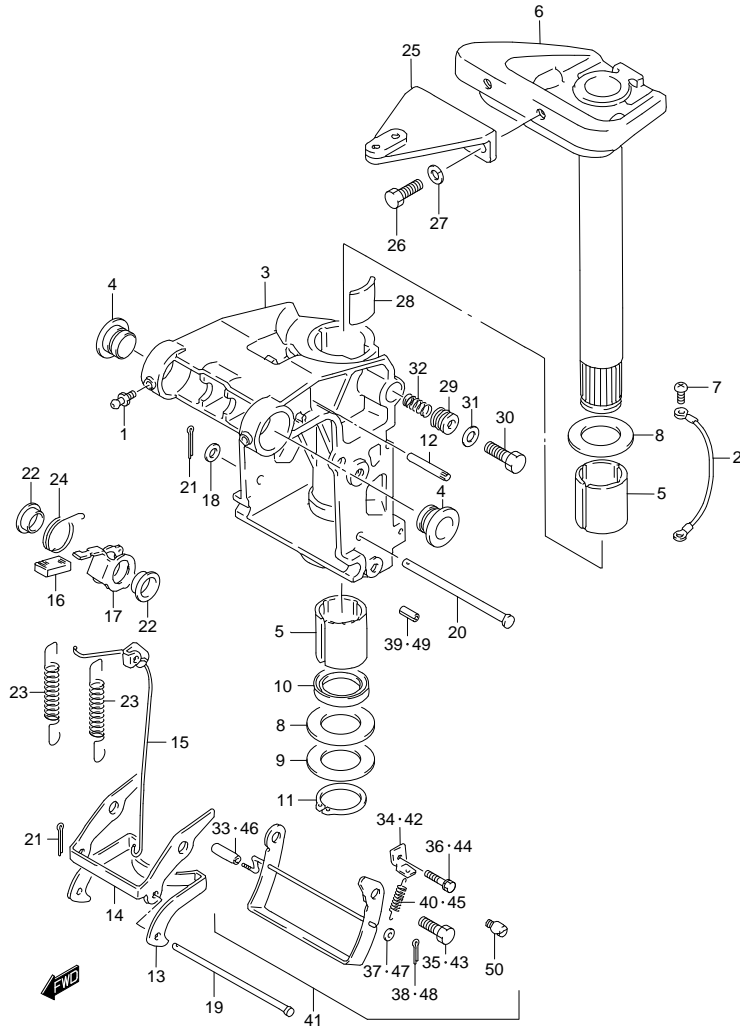


FIG.55

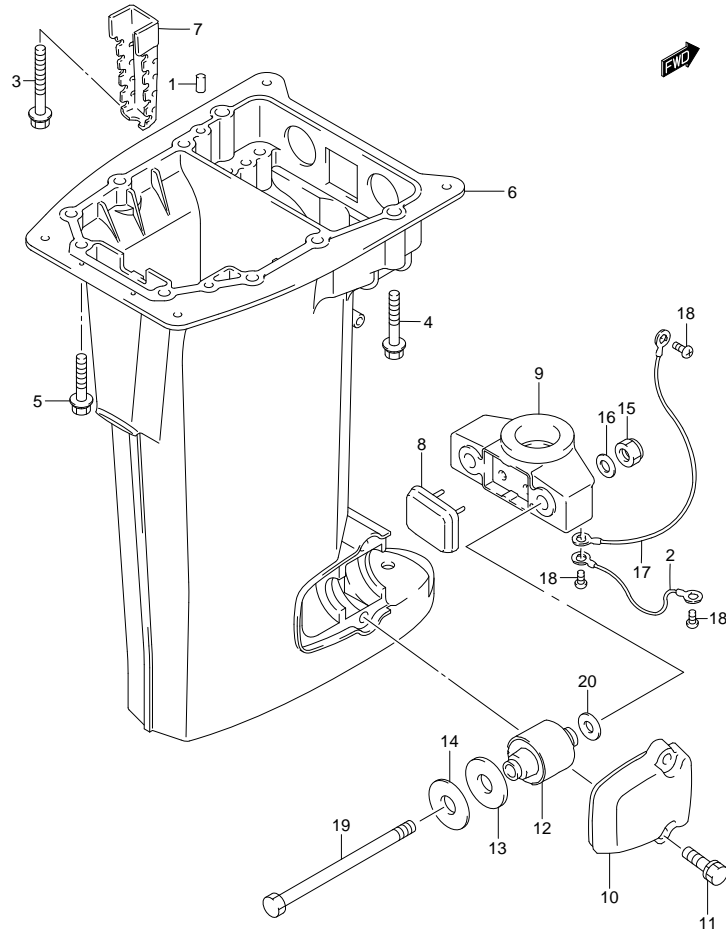


FIG. 55 (1-F-8) DRIVE SHAFT HOUSING (DT40W P40)

REF NO.	PART NO.	DESCRIPTION	Q'TY	REMARKS
1	09202-06031	PIN	2	
2	36894-95201	LEAD (L:165)	1	
3	09118-08098	BOLT (8X85)	1	
4	09118-08109	BOLT (8X75)	2	
5	29118-93J00	BOLT (8X50)	6	
6-1	52110-92L00-0EP	HOUSING, DRIVE SHAFT (BLACK)	1	W/TRANSOM(S)
6-2	52110-92L20-0EP	HOUSING, DRIVE SHAFT (BLACK)	1	W/TRANSOM(L)
6-3	52110-92L10-0EP	HOUSING, DRIVE SHAFT (BLACK)	1	W/TRANSOM(L2)
7	11435-94400	PLATE, EXHAUST RELEASE	1	
8	54151-99E00	MOUNT, LOWER THRUST	1	
9	54211-92L00-0EP	BRACKET, LOWER MOUNT (BLACK)	1	
10	54221-92L00-0EP	COVER, LOWER MOUNT (BLACK)	2	
11	09117-08104	BOLT (8X35)	4	
12-1	54160-94410	MOUNT, LOWER	2	W/TRANSOM(S)
12-2	54160-94410	MOUNT, LOWER	2	W/TRANSOM(L)
12-3	54160-94421	MOUNT, LOWER	2	W/TRANSOM(L2)
13	54165-94400	DAMPER, REVERSE STOP, LOWER	2	
14	09160-13018	WASHER (13X40X3)	2	
15	09159-12014	NUT	2	
16	09160-12066	WASHER (12.5X22X2.5)	2	
17	36894-94401	LEAD (L:195)	1	
18	29125-93J10	SCREW	3	
19	54166-94431	BOLT, LOWER MOUNT	2	
20	09160-12108	WASHER (12X28X1)	2	

FIG.56

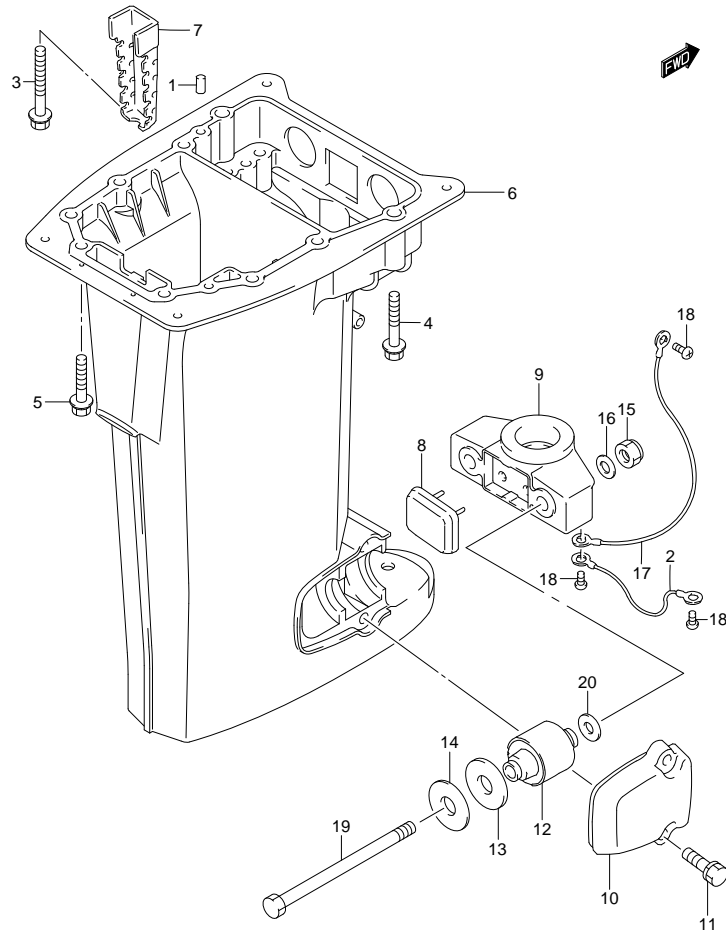


FIG. 56 (1-F-9) DRIVE SHAFT HOUSING (DT40W P90)

REF NO.	PART NO.	DESCRIPTION	Q T Y	REMARKS
1	09202-06031	PIN	2	
2	36894-95201	LEAD (L:165)	1	
3	09118-08098	BOLT (8X85)	1	
4	09118-08109	BOLT (8X75)	2	
5	29118-93J00	BOLT (8X50)	6	
6	52110-92L00-0EP	HOUSING, DRIVE SHAFT (BLACK)	1	
7	11435-94400	PLATE, EXHAUST RELEASE	1	
8	54151-99E00	MOUNT, LOWER THRUST	1	
9	54211-92L00-0EP	BRACKET, LOWER MOUNT (BLACK)	1	
10	54221-92L00-0EP	COVER, LOWER MOUNT (BLACK)	2	
11	09117-08104	BOLT (8X35)	4	
12	54160-94410	MOUNT, LOWER	2	
13	54165-94400	DAMPER, REVERSE STOP, LOWER	2	
14	09160-13018	WASHER (13X40X3)	2	
15	09159-12014	NUT	2	
16	09160-12066	WASHER (12.5X22X2.5)	2	
17	36894-94401	LEAD (L:195)	1	
18	29125-93J10	SCREW	3	
19	54166-94431	BOLT, LOWER MOUNT	2	
20	09160-12108	WASHER (12X28X1)	2	

FIG.57

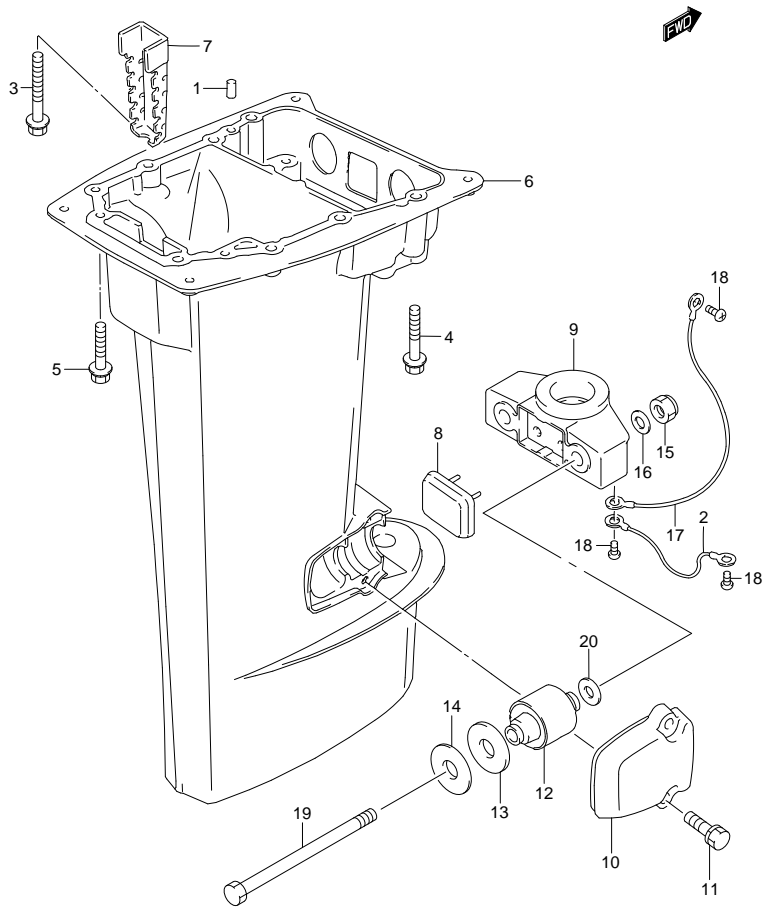


FIG. 57 (1-F-10) DRIVE SHAFT HOUSING (DT40WR P40)

REF NO.	PART NO.	DESCRIPTION	Q'TY	REMARKS
1	09202-06031	PIN	2	
2	36894-95201	LEAD (L:165)	1	
3	09118-08098	BOLT (8X85)	1	
4	09118-08109	BOLT (8X75)	2	
5	29118-93J00	BOLT (8X50)	6	
6-1	52110-92L20-0EP	HOUSING, DRIVE SHAFT (BLACK)	1	W/TRANSOM(L)
6-2	52110-92L10-0EP	HOUSING, DRIVE SHAFT (BLACK)	1	W/TRANSOM(L2)
7	11435-94400	PLATE, EXHAUST RELEASE	1	
8	54151-99E00	MOUNT, LOWER THRUST	1	
9	54211-92L00-0EP	BRACKET, LOWER MOUNT (BLACK)	1	
10	54221-92L00-0EP	COVER, LOWER MOUNT (BLACK)	2	
11	09117-08104	BOLT (8X35)	4	
12-1	54160-94410	MOUNT, LOWER	2	W/TRANSOM(L)
12-2	54160-94421	MOUNT, LOWER	2	W/TRANSOM(L2)
13	54165-94400	DAMPER, REVERSE STOP, LOWER	2	
14	09160-13018	WASHER (13X40X3)	2	
15	09159-12014	NUT	2	
16	09160-12066	WASHER (12.5X22X2.5)	2	
17	36894-94401	LEAD (L:195)	1	
18	29125-93J10	SCREW	3	
19	54166-94431	BOLT, LOWER MOUNT	2	
20	09160-12108	WASHER (12X28X1)	2	

FIG.58

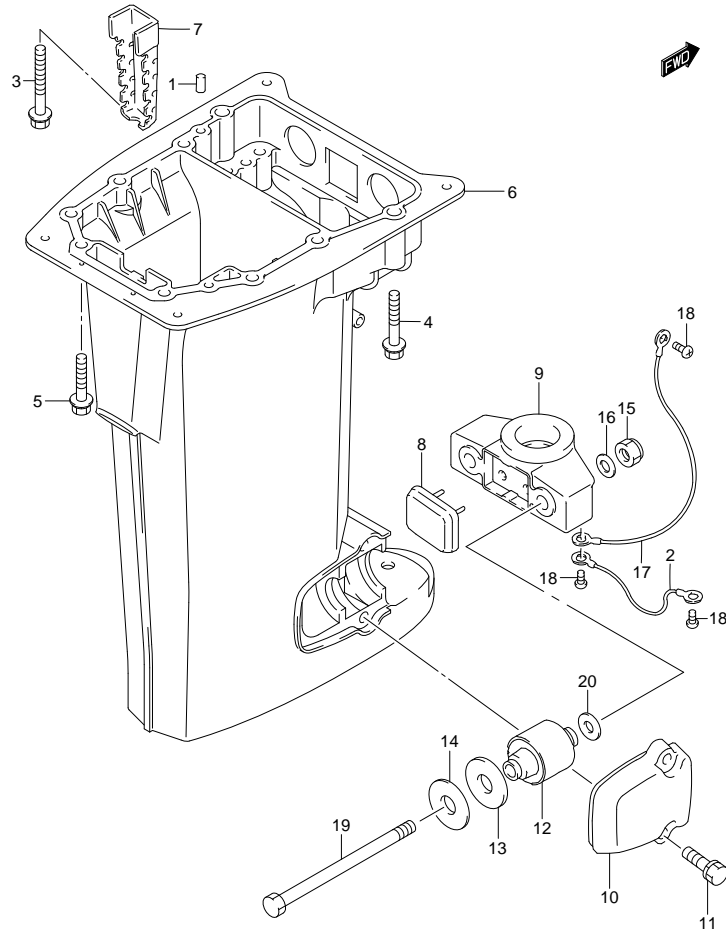


FIG. 58 (1-F-11) DRIVE SHAFT HOUSING (DT40WR P90)

REF NO.	PART NO.	DESCRIPTION	QTY	REMARKS
1	09202-06031	PIN	2	
2	36894-95201	LEAD (L:165)	1	
3	09118-08098	BOLT (8X85)	1	
4	09118-08109	BOLT (8X75)	2	
5	29118-93J00	BOLT (8X50)	6	
6	52110-92L00-0EP	HOUSING, DRIVE SHAFT (BLACK)	1	
7	11435-94400	PLATE, EXHAUST RELEASE	1	
8	54151-99E00	MOUNT, LOWER THRUST	1	
9	54211-92L00-0EP	BRACKET, LOWER MOUNT (BLACK)	1	
10	54221-92L00-0EP	COVER, LOWER MOUNT (BLACK)	2	
11	09117-08104	BOLT (8X35)	4	
12	54160-94410	MOUNT, LOWER	2	
13	54165-94400	DAMPER, REVERSE STOP, LOWER	2	
14	09160-13018	WASHER (13X40X3)	2	
15	09159-12014	NUT	2	
16	09160-12066	WASHER (12.5X22X2.5)	2	
17	36894-94401	LEAD (L:195)	1	
18	29125-93J10	SCREW	3	
19	54166-94431	BOLT, LOWER MOUNT	2	
20	09160-12108	WASHER (12X28X1)	2	

FIG.59

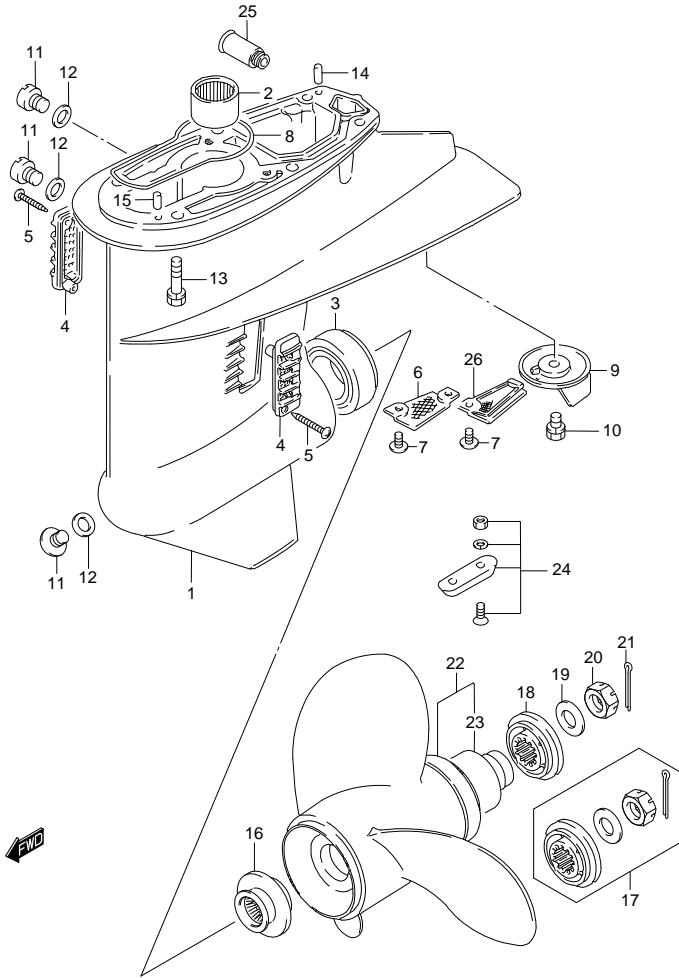


FIG. 59 (1-F-12) GEAR CASE

REF NO.	PART NO.	DESCRIPTION	Q' TY	REMARKS
1	55100-92L00-OEP	CASE ASSY, GEAR (BLACK)	1	
2	09263-22039	·BEARING (22X30X30)	1	
3	09265-30004	·BEARING (30X62X17.25)	1	
4	17631-96320	FILTER, WATER	2	
5	03142-04309	SCREW	2	
6	17635-87E00	FILTER, SUB WATER	1	
7	09125-05046	SCREW (5X12)	2	
8	55122-88L00	RING, GEAR CASE SEAL	1	
9	55125-95500	TAB, TRIM	1	
10	09117-08037	BOLT (8X16)	1	
11	09248-10008	PLUG	3	
12	09168-10022	GASKET (10X17X1.5)	3	
13	09116-08131	BOLT (8X45)	6	
14	09202-06027	PIN	1	
15	09202-06025	PIN	1	
16	57632-92L00	STOPPER, PROPELLER BUSH	1	
17	57630-94300	PROPELLER NUT KIT	1	OPT
18	57633-94300	SPACER, PROPELLER NUT	1	
19	09160-18028	WASHER (18.5X31X1)	1	
20	09141-18005	NUT	1	
21	09204-03003	PIN	1	
22-1	58100-88L12-019	PROPELLER (3X11-1/2X10)	1	S1000
22-2	58100-88L22-019	PROPELLER (3X11-1/2X11)	1	S1100
22-3	58100-88L31-019	PROPELLER (3X11-5/8X12)	1	S1200
22-4	58100-88L41-019	PROPELLER (3X11-1/2X13)	1	S1300
22-5	58100-88L51-019	PROPELLER (3X11-3/8X14)	1	S1400
22-6	58100-88L61-019	PROPELLER (3X11-1/4X15)	1	S1500
23	58120-88L00	·BUSH, PROPELLER	1	
24	55300-95500	ZINC, PROTECTION	1	OPT
25	55181-95200	ATTACHMENT, FLUSH HOSE	1	OPT
26	17635-87E10	PLATE, GEAR CASE	1	OPT
27	25700-88L00	KIT, GEAR CASE RE-SEALING	1	OPT
				NOT ILLUSTRATED

FIG.60

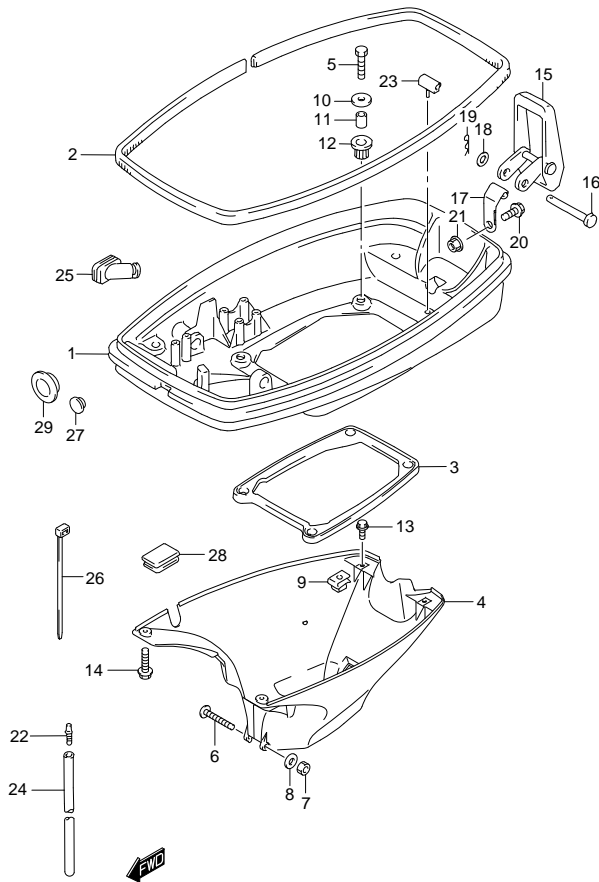


FIG. 60 (1-F-13) LOWER COVER (DT40W P40)

REF NO.	PART NO.	DESCRIPTION	Q' TY	REMARKS
1	61111-92L00-0EP	COVER, ENGINE LOWER (BLACK)	1	
2	61112-94412	RUBBER, ENGINE LOWER COVER	1	
3	61113-94400	SEAL, ENGINE LOWER COVER	1	
4	61131-92L00-RB4	COVER, ENGINE HOLDER (BLACK)	1	
5	09100-06121	BOLT (6X30)	4	
6	09125-05129	SCREW (5X50)	1	
7	09159-05042	NUT	1	
8	09160-05029	WASHER (5.5X12X0.8)	1	
9	09148-06017	NUT	2	
10	09160-06104	WASHER (6.5X24X2)	4	
11	09180-06295	SPACER (6.5X10X16)	4	
12	09320-10035	CUSHION	4	
13	09136-06145	BOLT (6X20)	2	
14	29103-93J00	BOLT, FRONT (6X12)	2	
15	61610-93901	FASTENER	1	
16	61616-93EL0	PIN, LEVER	1	
17	61642-93902	HOLDER, FASTENER LEVER	1	
18	09161-04012	WASHER (4.2X11X1)	1	
19	09385-04003	CLIP	1	
20	09103-06093	BOLT (6X20)	1	
21	08310-00067	NUT	1	
22	61155-94400	TUBE, WATER INSPECTION	1	
23	61138-94410	COVER, WATER	3	
24	09352-50903-600	HOSE (5X9X600)	1	L:600->50
25	33811-94400	GROMMET, STARTER CABLE	1	W/ELECTRIC STARTER
26	09407-25402	CLAMP (L:248)	1	W/ELECTRIC STARTER
27	09250-12006	CAP	1	OIL LAMP HOLE
28-1	39669-94400	PLUG, LOWER COVER	1	W/ELECTRIC STARTER
28-2	39669-94400	PLUG, LOWER COVER	2	W/MANUAL STARTER
29	09250-33001	CAP	1	W/MANUAL STARTER

FIG.61

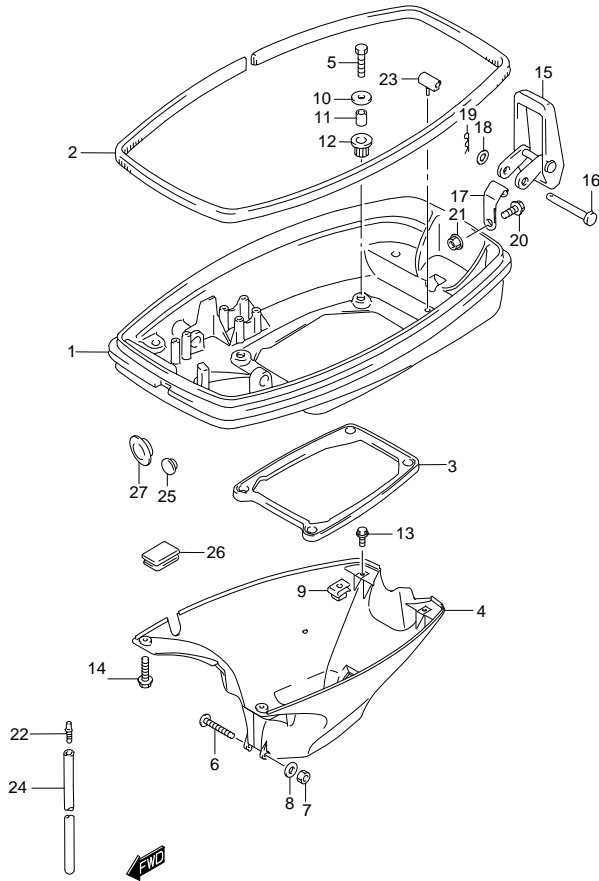


FIG. 61 (1-F-14) LOWER COVER (DT40W P90)

REF NO.	PART NO.	DESCRIPTION	Q' TY	REMARKS
1	61111-92L00-0EP	COVER, ENGINE LOWER (BLACK)	1	
2	61112-94412	RUBBER, ENGINE LOWER COVER	1	
3	61113-94400	SEAL, ENGINE LOWER COVER	1	
4	61131-92L00-RB4	COVER, ENGINE HOLDER (BLACK)	1	
5	09100-06121	BOLT (6X30)	4	
6	09125-05129	SCREW (5X50)	1	
7	09159-05042	NUT	1	
8	09160-05029	WASHER (5.5X12X0.8)	1	
9	09148-06017	NUT	2	
10	09160-06104	WASHER (6.5X24X2)	4	
11	09180-06295	SPACER (6.5X10X16)	4	
12	09320-10035	CUSHION	4	
13	09136-06145	BOLT (6X20)	2	
14	29103-93J00	BOLT, FRONT (6X12)	2	
15	61610-93901	FASTENER	1	
16	61616-93E0	PIN, LEVER	1	
17	61642-93902	HOLDER, FASTENER LEVER	1	
18	09161-04012	WASHER (4.2X11X1)	1	
19	09385-04003	CLIP	1	
20	09103-06093	BOLT (6X20)	1	
21	08310-00067	NUT	1	
22	61155-94400	TUBE, WATER INSPECTION	1	
23	61138-94410	COVER, WATER	3	
24	09352-50903-600	HOSE (5X9X600)	1	L:600->50
25	09250-12006	CAP	1	OIL LAMP HOLE
26	39669-94400	PLUG, LOWER COVER	2	
27	09250-33001	CAP	1	

FIG.62

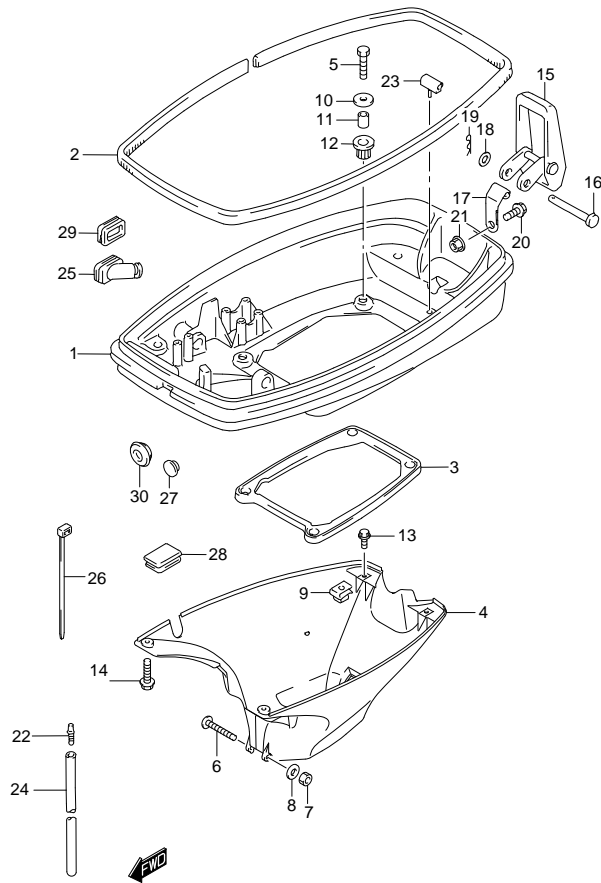


FIG. 62 (1-F-15) LOWER COVER (DT40WR P40)

REF NO.	PART NO.	DESCRIPTION	Q'TY	REMARKS
1	61111-92L00-0EP	COVER, ENGINE LOWER (BLACK)	1	
2	61112-94412	RUBBER, ENGINE LOWER COVER	1	
3	61113-94400	SEAL, ENGINE LOWER COVER	1	
4	61131-92L00-RB4	COVER, ENGINE HOLDER (BLACK)	1	
5	09100-06121	BOLT (6X30)	4	
6	09125-05129	SCREW (5X50)	1	
7	09159-05042	NUT	1	
8	09160-05029	WASHER (5.5X12X0.8)	1	
9	09148-06017	NUT	2	
10	09160-06104	WASHER (6.5X24X2)	4	
11	09180-06295	SPACER (6.5X10X16)	4	
12	09320-10035	CUSHION	4	
13	09136-06145	BOLT (6X20)	2	
14	29103-93J00	BOLT, FRONT (6X12)	2	
15	61610-93901	FASTENER	1	
16	61616-93EL0	PIN, LEVER	1	
17	61642-93902	HOLDER, FASTENER LEVER	1	
18	09161-04012	WASHER (4.2X11X1)	1	
19	09385-04003	CLIP	1	
20	09103-06093	BOLT (6X20)	1	
21	08310-00067	NUT	1	
22	61155-94400	TUBE, WATER INSPECTION	1	
23	61138-94410	COVER, WATER	3	
24	09352-50903-600	HOSE (5X9X600)	1	L:600->50
25	33811-94400	GROMMET, STARTER CABLE	1	
26	09407-25402	CLAMP (L:248)	1	
27	09250-12006	CAP	1	OIL LAMP HOLE
28	39669-94400	PLUG, LOWER COVER	1	
29	63625-94300	CAP, THROTTLE CABLE	1	
30	09250-16008	PLUG	1	

FIG.63

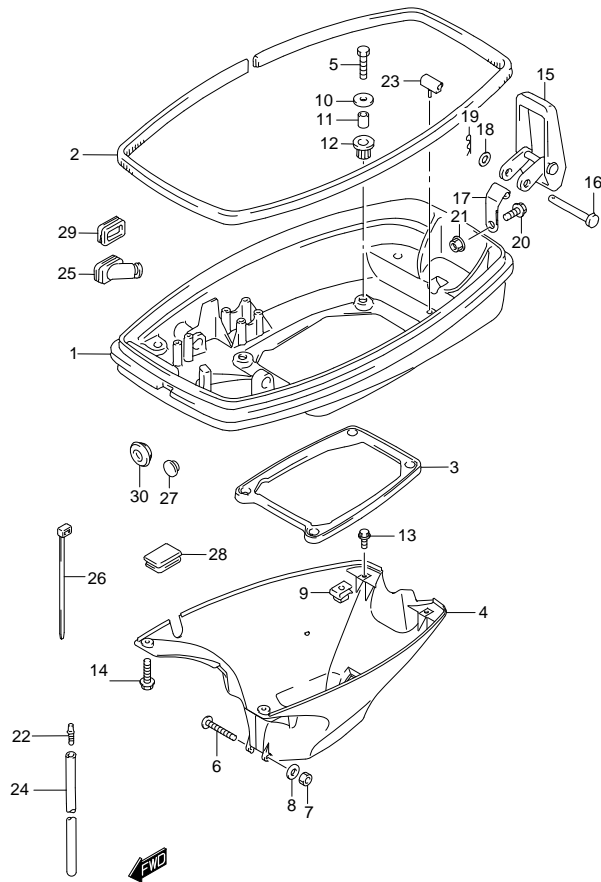


FIG. 63 (1-G-2) LOWER COVER (DT40WR P90)

REF NO.	PART NO.	DESCRIPTION	Q'TY	REMARKS
1	61111-92L00-0EP	COVER, ENGINE LOWER (BLACK)	1	
2	61112-94412	RUBBER, ENGINE LOWER COVER	1	
3	61113-94400	SEAL, ENGINE LOWER COVER	1	
4	61131-92L00-RB4	COVER, ENGINE HOLDER (BLACK)	1	
5	09100-06121	BOLT (6X30)	4	
6	09125-05129	SCREW (5X50)	1	
7	09159-05042	NUT	1	
8	09160-05029	WASHER (5.5X12X0.8)	1	
9	09148-06017	NUT	2	
10	09160-06104	WASHER (6.5X24X2)	4	
11	09180-06295	SPACER (6.5X10X16)	4	
12	09320-10035	CUSHION	4	
13	09136-06145	BOLT (6X20)	2	
14	29103-93J00	BOLT, FRONT (6X12)	2	
15	61610-93901	FASTENER	1	
16	61616-93EL0	PIN, LEVER	1	
17	61642-93902	HOLDER, FASTENER LEVER	1	
18	09161-04012	WASHER (4.2X11X1)	1	
19	09385-04003	CLIP	1	
20	09103-06093	BOLT (6X20)	1	
21	08310-00067	NUT	1	
22	61155-94400	TUBE, WATER INSPECTION	1	
23	61138-94410	COVER, WATER	3	
24	09352-50903-600	HOSE (5X9X600)	1	L:600->50
25	33811-94400	GROMMET, STARTER CABLE	1	
26	09407-25402	CLAMP (L:248)	1	
27	09250-12006	CAP	1	OIL LAMP HOLE
28	39669-94400	PLUG, LOWER COVER	1	
29	63625-94300	CAP, THROTTLE CABLE	1	
30	09250-16008	PLUG	1	

FIG.64

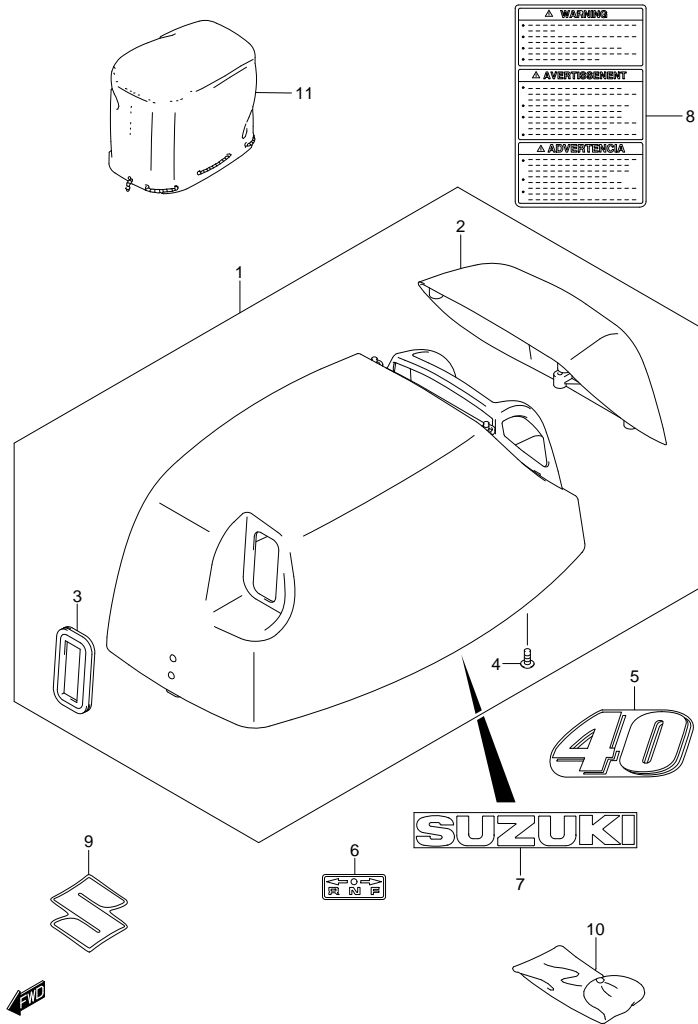
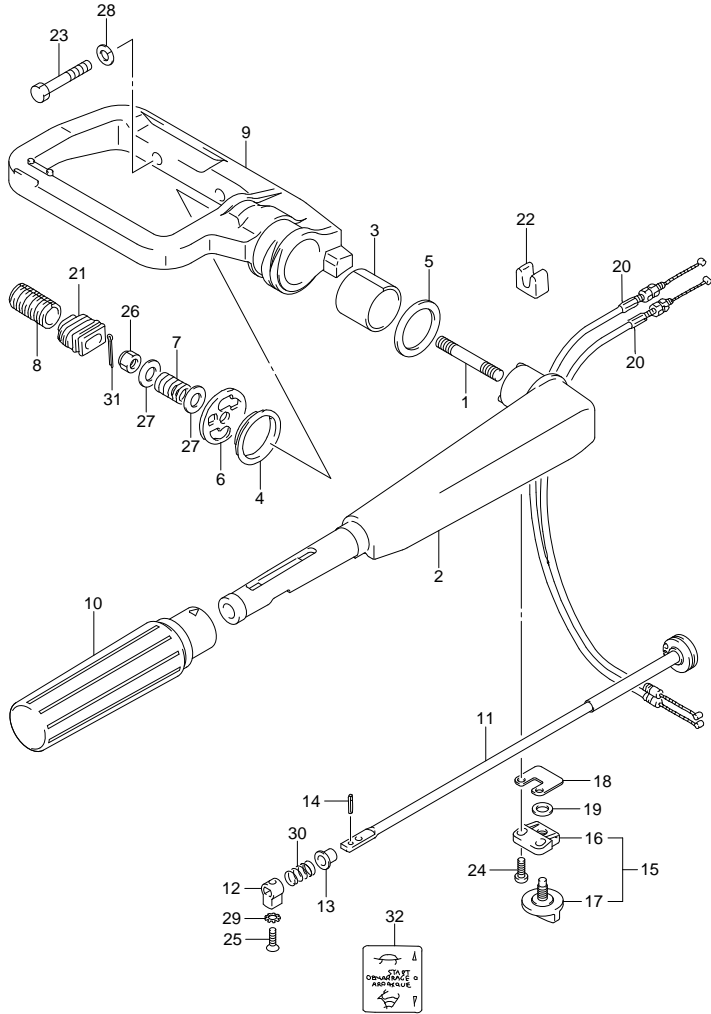


FIG.64 (1-G-3) ENGINE COVER

REF NO.	PART NO.	DESCRIPTION	Q'TY	REMARKS
1	61400-92L00-0EP	COVER SET, ENGINE (BLACK)	1	
2	61431-92L00-0EP	·HANDLE, TILT UP (BLACK)	1	
3	61622-95500	·SEAL, RECOIL STARTER	1	
4	03542-06169	·SCREW	4	
5	61435-944A1	MARK, EMBLEM REAR	1	
6	21131-96010	MARK, CLUTCH SHIFT	1	
7	61441-96321	MARK, SUZUKI	2	
8	61581-98620	LABEL, ENGINE COVER	1	
9	68111-99J00	EMBLEM, "S"	1	
10	59800-90L00	TOOL ASSY	1	
11	68110-94400	COVER, WEATHER	1	OPT
12	99011-92L00-063	MANUAL, OWNER'S	1	NOT ILLUSTRATED

FIG.65



DT40W P40 012_065
TILLER HANDLE

FIG. 65 (1-G-4) TILLER HANDLE (DT40W P40)

REF NO.	PART NO.	DESCRIPTION	Q'TY	REMARKS
1	09108-10137	STUD BOLT	1	
2	63111-92L00-0EP	HANDLE, TILLER (BLACK)	1	
3	63115-97E00	BUSH, TILLER HANDLE	1	
4	63116-97E00	WASHER, TILLER HANDLE NO.1	1	
5	63117-97E01	WASHER, TILLER HANDLE NO.2	1	
6	63125-97E01	PLATE, TILLER HANDLE	1	
7	63126-97E01	SPRING, HANDLE STUD	1	
8	63128-97E00	COVER, HANDLE NUT	1	
9	63131-92L00-0EP	BRACKET, TILLER HANDLE (BLACK)	1	
10	63210-93E30	GRIP, HANDLE	1	
11	63220-96320	ROD, HANDLE	1	
12	63223-92D00	STOPPER, HANDLE ROD	1	
13	63225-93200	BUSH, HANDLE ROD	1	
14	09205-03038	SPRING	1	
15	63240-94J00	ADJUSTER, HANDLE GRIP	1	
16	63241-98601	SUPPORT, HANDLE ROD	1	
17	63244-94J00	KNOB, THROTTLE ADJUSTER	1	
18	63225-94J00	PLATE, HANDLE ROD ADJUSTER	1	
19	09148-06008	NUT	1	
20	63610-94402	CABLE, THROTTLE	2	
21	63625-96300	GROMMET, THROTTLE CABLE	1	
22	63627-94400	GUIDE, THROTTLE CABLE	1	
23	09100-10155	BOLT (10X50)	2	
24	09136-05041	SCREW (5X20)	2	
25	09126-06015	SCREW (6X23)	1	
26	09159-10050	NUT	1	
27	09160-10082	WASHER (10.5X19X2)	2	
28	09162-10005	LOCK WASHER	2	
29	09163-06001	LOCK WASHER	1	
30	09440-12027	SPRING	1	
31	09204-01002	PIN	1	
32	63215-93401	MARK, HANDLE GRIP	1	

DT40W P40 012

FIG.66

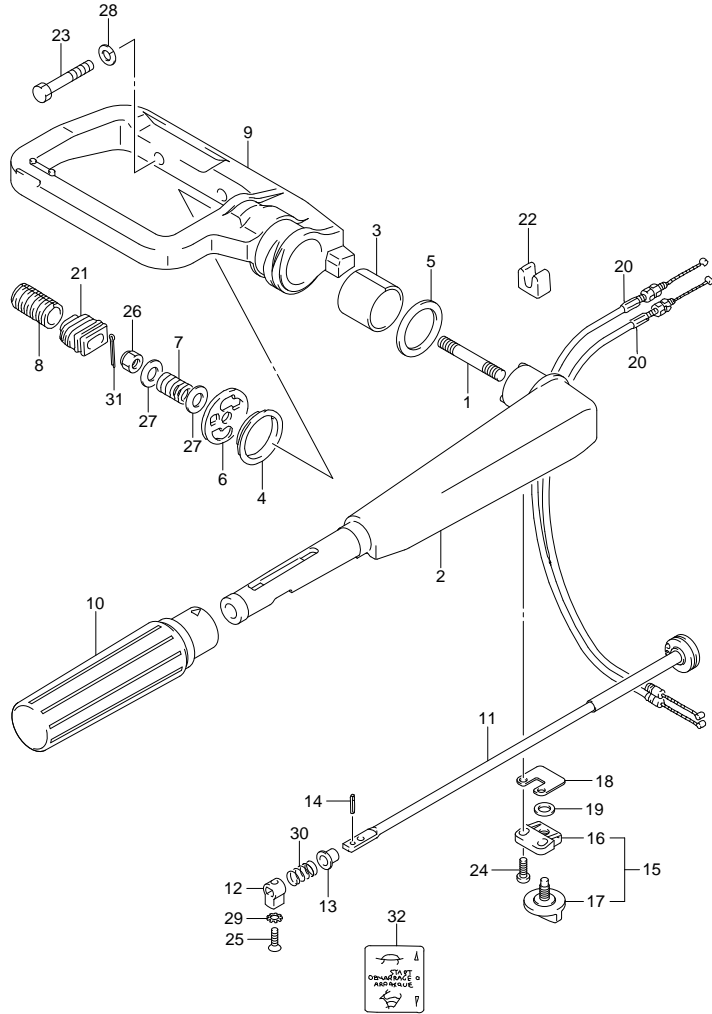


FIG. 66 (1-G-5) TILLER HANDLE (DT40W P90)

REF NO.	PART NO.	DESCRIPTION	Q'TY	REMARKS
1	09108-10137	STUD BOLT	1	
2	63111-92L00-0EP	HANDLE, TILLER (BLACK)	1	
3	63115-97E00	BUSH, TILLER HANDLE	1	
4	63116-97E00	WASHER, TILLER HANDLE NO.1	1	
5	63117-97E01	WASHER, TILLER HANDLE NO.2	1	
6	63125-97E01	PLATE, TILLER HANDLE	1	
7	63126-97E01	SPRING, HANDLE STUD	1	
8	63128-97E00	COVER, HANDLE NUT	1	
9	63131-92L00-0EP	BRACKET, TILLER HANDLE (BLACK)	1	
10	63210-93E30	GRIP, HANDLE	1	
11	63220-96320	ROD, HANDLE	1	
12	63223-92D00	STOPPER, HANDLE ROD	1	
13	63225-93200	BUSH, HANDLE ROD	1	
14	09205-03038	SPRING	1	
15	63240-94J00	ADJUSTER, HANDLE GRIP	1	
16	63241-98601	SUPPORT, HANDLE ROD	1	
17	63244-94J00	KNOB, THROTTLE ADJUSTER	1	
18	63225-94J00	PLATE, HANDLE ROD ADJUSTER	1	
19	09148-06008	NUT	1	
20	63610-94402	CABLE, THROTTLE	2	
21	63625-96300	GROMMET, THROTTLE CABLE	1	
22	63627-94400	GUIDE, THROTTLE CABLE	1	
23	09100-10155	BOLT (10X50)	2	
24	09136-05041	SCREW (5X20)	2	
25	09126-06015	SCREW (6X23)	1	
26	09159-10050	NUT	1	
27	09160-10082	WASHER (10.5X19X2)	2	
28	09162-10005	LOCK WASHER	2	
29	09163-06001	LOCK WASHER	1	
30	09440-12027	SPRING	1	
31	09204-01002	PIN	1	
32	63215-93401	MARK, HANDLE GRIP	1	

FIG.67

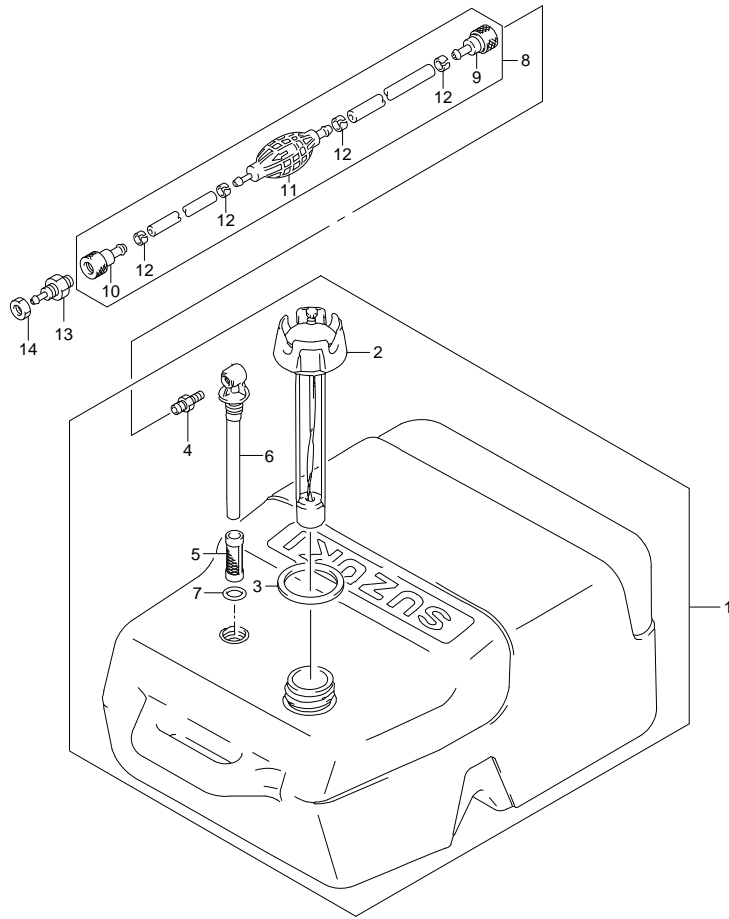


FIG. 67 (1-G-6) FUEL TANK (PLASTIC/25L)

REF NO.	PART NO.	DESCRIPTION	Q'TY	REMARKS
1	65000-95D01	TANK ASSY, FUEL (25L)	1	
2	65520-95D00	·CAP ASSY, FUEL TANK	1	
3	65561-95D00	·GASKET, TANK CAP	1	
4	65740-95D01	·PLUG, FUEL CONNECTOR	1	
5	65831-95D00	·FILTER, OUTLET	1	
6	65890-95D00	·OUTLET ASSY	1	
7	65892-95D00	·O RING, FUEL OUTLET	1	
8	65700-87D19	HOSE, FUEL	1	
9	65750-95500	·SOCKET, FUEL HOSE (IN)	1	
10	65750-98505	·SOCKET, FUEL HOSE (OUT)	1	
11	65770-95541	·PUMP, SQUEEZE	1	
12	65781-98500	·CLIP	4	
13	65720-98521	PLUG, FUEL CONNECTOR	1	
14	09140-10032	NUT	1	

FIG.68

FIG. 68 (1-G-7) REMOCON CABLE HOLDER (DT40WR P40)

REF NO.	PART NO.	DESCRIPTION	Q'TY	REMARKS
1	67331-94400	GROMMET, REMOCON CABLE	1	
2	67466-95200	CONNECTOR, THROTTLE CABLE	1	
3	67467-94404	CONNECTOR, CLUTCH CABLE	1	
4	09119-06047	PIVOT, BALL	1	
5	29141-93J00	NUT	1	
6	67341-94400	HOLDER, REMOCON CABLE	1	
7	09116-06094	BOLT (6X15)	2	

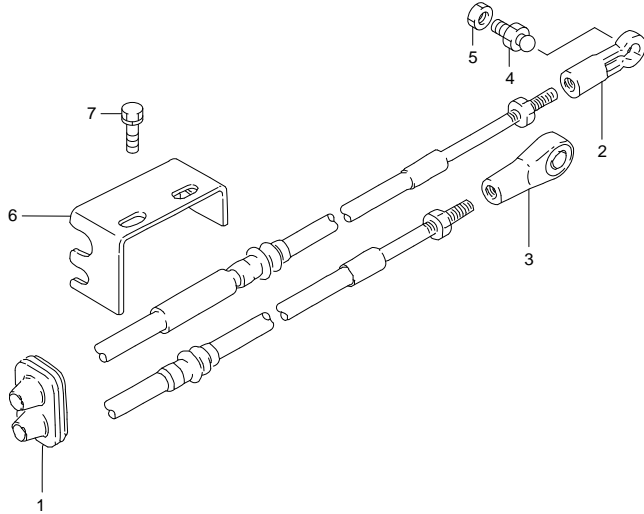


FIG.69

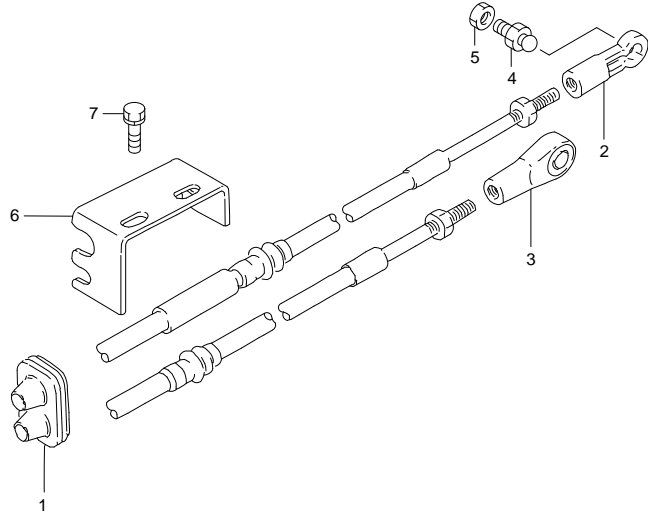


FIG. 69 (1-G-8) REMOCON CABLE HOLDER (DT40WR P90)

REF NO.	PART NO.	DESCRIPTION	QTY	REMARKS
1	67331-94400	GROMMET, REMOCON CABLE	1	
2	67466-95200	CONNECTOR, THROTTLE CABLE	1	
3	67467-94404	CONNECTOR, CLUTCH CABLE	1	
4	09119-06047	PIVOT, BALL	1	
5	29141-93J00	NUT	1	
6	67341-94400	HOLDER, REMOCON CABLE	1	
7	09116-06094	BOLT (6X15)	2	

FIG.70

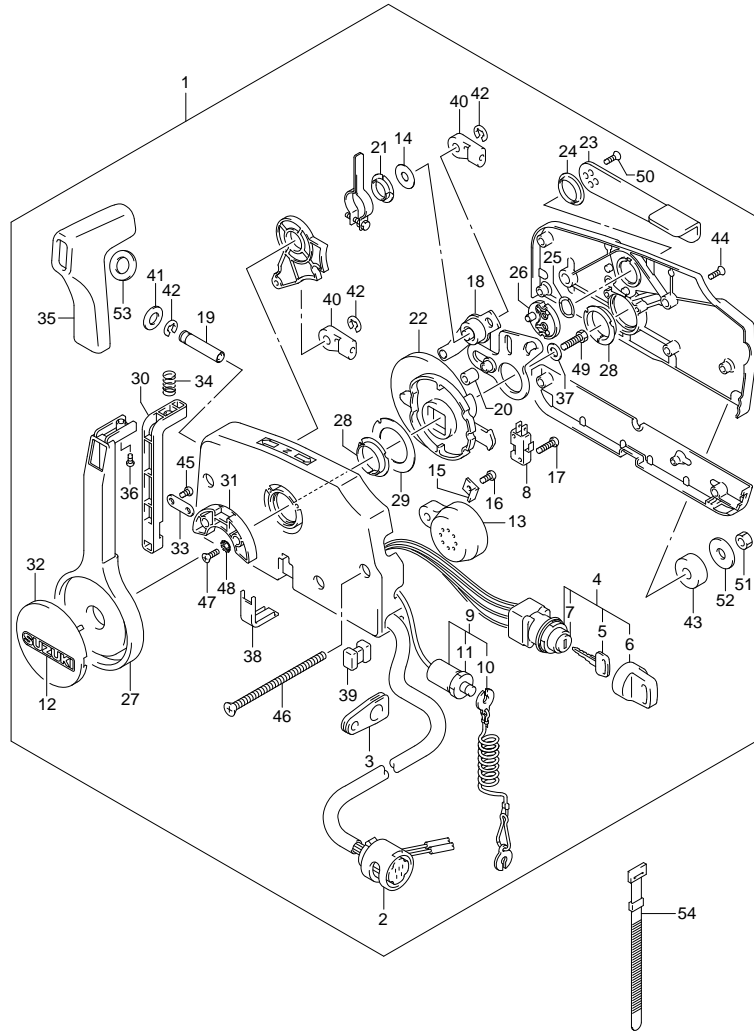


FIG. 70 (1-G-9) REMOTE CONTROL (DT40WR P40)

REF NO.	PART NO.	DESCRIPTION	Q'TY	REMARKS
1	67200-97E42	REMOTE CONTROL ASSY	1	
2	36620-92E20	·WIRE ASSY, REMOCON	1	
3	36628-92E00	·GROMMET	1	
4	37110-99E00	·SWITCH ASSY, IGNITION	1	
5-1	37141-99E00	··KEY (931)	1	
5-2	37141-99E10	··KEY (932)	1	
5-3	37141-99E20	··KEY (933)	1	
5-4	37141-99E30	··KEY (934)	1	
5-5	37141-99E40	··KEY (935)	1	
5-6	37141-99E50	··KEY (936)	1	
5-7	37141-99E60	··KEY (937)	1	
5-8	37141-99E70	··KEY (938)	1	
5-9	37141-99E80	··KEY (939)	1	
5-10	37141-99E90	··KEY (940)	1	
5-11	37141-99EA0	··KEY (941)	1	
5-12	37141-99EB0	··KEY (942)	1	
6	37143-99E00	··CAP, KEY	1	
7	37149-93J00	··CAP, CYLINDER BODY	1	
8	37721-94600	·SWITCH, NEUTRAL	1	
9	37820-92E03	·SWITCH ASSY, EMERGENCY	1	
10	37823-92E01	··PLATE	1	
11	37826-92E00	··NUT	1	
12	68165-16B00-13L	·EMBLEM, SUZUKI (SILVER)	1	
13	38500-92X50	·BUZZER, WARNING	1	
14	67212-95600	·WASHER	1	
15	67213-92E00	·BRACKET, BUZZER	1	
16	09125-05042	·SCREW (5X10)	1	
17	67296-92E10	·SCREW, BUZZER BRKT	2	
18	67220-95620	·PLATE ASSY	1	
19	67223-99E10	·KNOB, BRAKE ADJUST	1	
20	67229-95600	·ROLLER	1	
21	67232-95600	·BUSH	1	
22	67238-87D00	·GEAR, DRIVE	1	
23	67241-99E10	·LEVER, FREE THROTTLE	1	

FIG.70

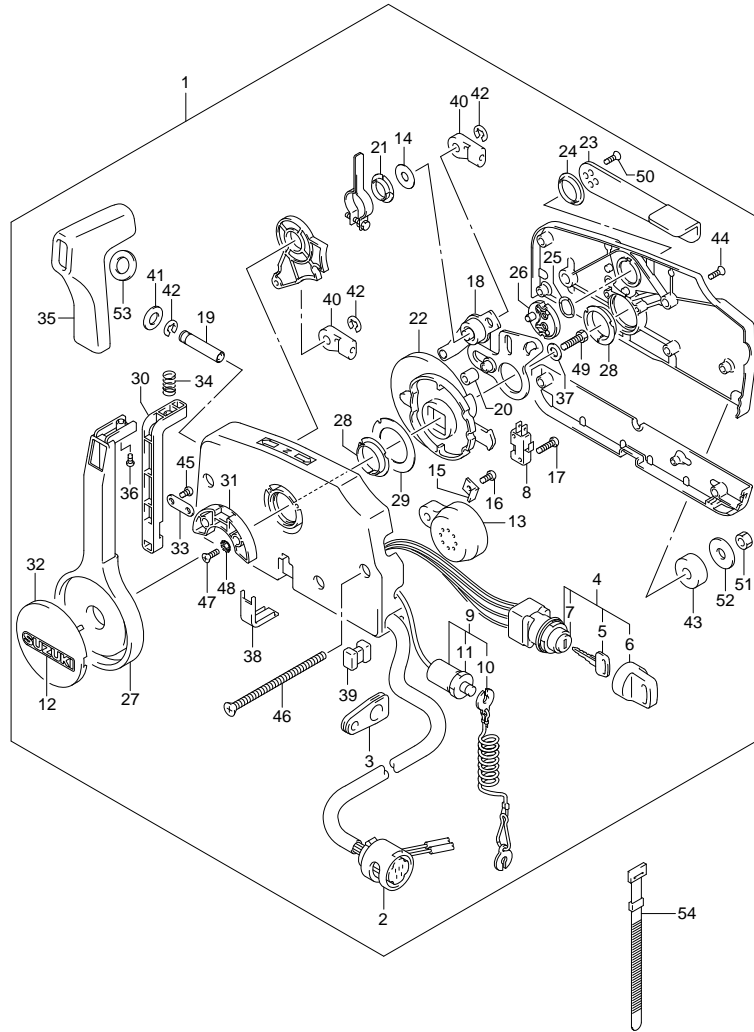


FIG. 70 (1-G-10) REMOTE CONTROL (DT40WR P40)

REF NO.	PART NO.	DESCRIPTION	Q'TY	REMARKS
24	67243-95600	·BUSH	1	
25	67244-95600	·WAVE WASHER	1	
26	67245-95600	·DRUM, FREE THROTTLE	1	
27	67251-99E10	·LEVER, HANDLE	1	
28	67252-95600	·BUSH	1	
29	67253-95600	·WASHER	1	
30	67255-99E00	·ARM, LOCK	1	
31	67256-95600	·HOLDER, NEUT LOCK	1	
32	67257-99E00	·CAP, LEVER	1	
33	67258-99E00	·BRACKET	1	
34	67259-87D00	·SPRING, NEUTRAL ARM	1	
35	67261-99E00	·GRIP	1	
36	67296-94310	·SCREW, BUZZER BRKT	1	
37	67264-95600	·WASHER	1	
38	67267-95610	·COVER, WIRE	1	
39	67273-95600	·SPACER	1	
40	67275-95600	·END, CABLE	2	
41	67288-92E00	·WASHER	1	
42	67292-94300	·E RING	3	
43	67294-95600	·SPACER	3	
44	67296-90J00	·SCREW, COVER	5	
45	67296-94300	·SCREW	2	
46	67296-95600	·SCREW	3	
47	67296-95610	·SCREW	2	
48	67297-95600	·WASHER	2	
49	09100-08232	·BOLT (8X30)	1	
50	09126-05003	·SCREW (5X12)	2	
51	09140-06020	·NUT	3	
52	09160-06104	·WASHER (6.5X24X2)	3	
53	37859-90J00	·SPACER	1	
54	09407-12402	CLAMP(L:120)	2	

FIG.71

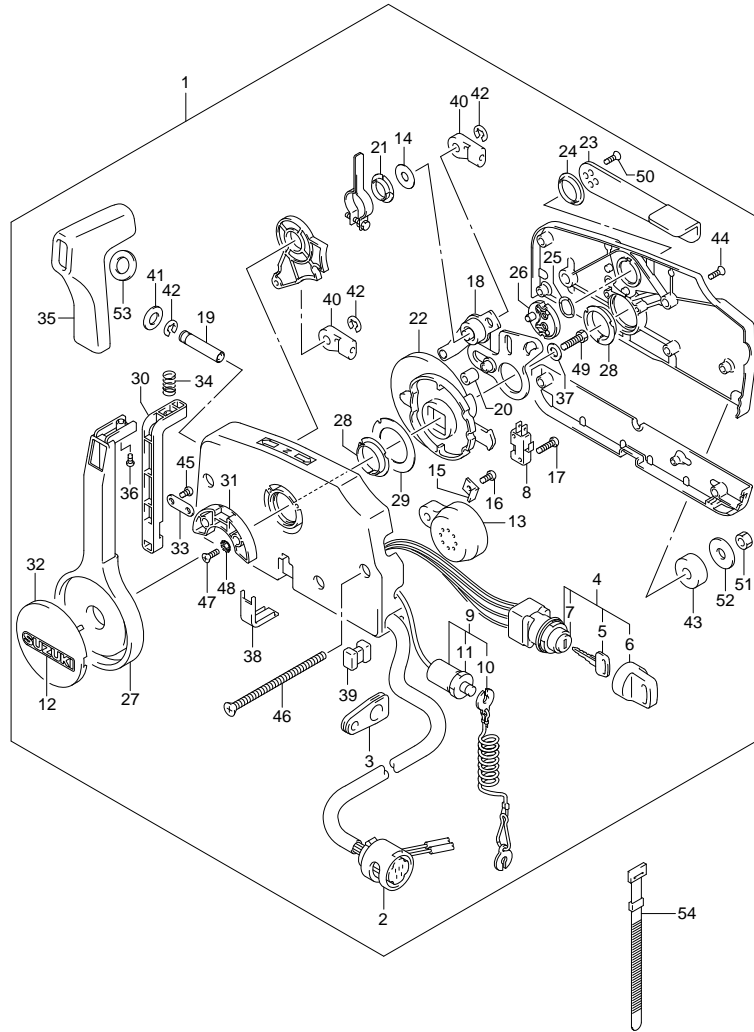


FIG.71 (1-G-11) REMOTE CONTROL (DT40WR P90)

REF NO.	PART NO.	DESCRIPTION	Q'TY	REMARKS
1	67200-97E42	REMOTE CONTROL ASSY	1	
2	36620-92E20	·WIRE ASSY, REMOCON	1	
3	36628-92E00	·GROMMET	1	
4	37110-99E00	·SWITCH ASSY, IGNITION	1	
5-1	37141-99E00	··KEY (931)	1	
5-2	37141-99E10	··KEY (932)	1	
5-3	37141-99E20	··KEY (933)	1	
5-4	37141-99E30	··KEY (934)	1	
5-5	37141-99E40	··KEY (935)	1	
5-6	37141-99E50	··KEY (936)	1	
5-7	37141-99E60	··KEY (937)	1	
5-8	37141-99E70	··KEY (938)	1	
5-9	37141-99E80	··KEY (939)	1	
5-10	37141-99E90	··KEY (940)	1	
5-11	37141-99EA0	··KEY (941)	1	
5-12	37141-99EB0	··KEY (942)	1	
6	37143-99E00	··CAP, KEY	1	
7	37149-93J00	··CAP, CYLINDER BODY	1	
8	37721-94600	·SWITCH, NEUTRAL	1	
9	37820-92E03	·SWITCH ASSY, EMERGENCY	1	
10	37823-92E01	··PLATE	1	
11	37826-92E00	··NUT	1	
12	68165-16B00-13L	·EMBLEM, SUZUKI (SILVER)	1	
13	38500-92X50	·BUZZER, WARNING	1	
14	67212-95600	·WASHER	1	
15	67213-92E00	·BRACKET, BUZZER	1	
16	09125-05042	·SCREW (5X10)	1	
17	67296-92E10	·SCREW, BUZZER BRKT	2	
18	67220-95620	·PLATE ASSY	1	
19	67223-99E10	·KNOB, BRAKE ADJUST	1	
20	67229-95600	·ROLLER	1	
21	67232-95600	·BUSH	1	
22	67238-87D00	·GEAR, DRIVE	1	
23	67241-99E10	·LEVER, FREE THROTTLE	1	

FIG.71

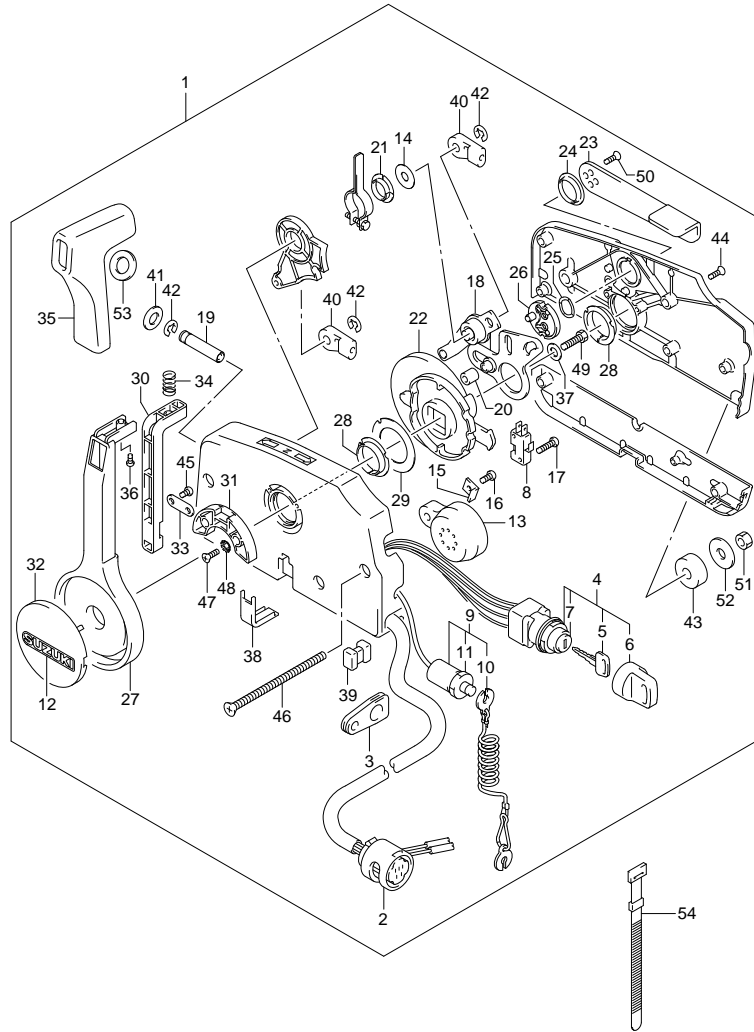


FIG.71 (1-G-12) REMOTE CONTROL (DT40WR P90)

REF NO.	PART NO.	DESCRIPTION	Q'TY	REMARKS
24	67243-95600	·BUSH	1	
25	67244-95600	·WAVE WASHER	1	
26	67245-95600	·DRUM, FREE THROTTLE	1	
27	67251-99E10	·LEVER, HANDLE	1	
28	67252-95600	·BUSH	1	
29	67253-95600	·WASHER	1	
30	67255-99E00	·ARM, LOCK	1	
31	67256-95600	·HOLDER, NEUT LOCK	1	
32	67257-99E00	·CAP, LEVER	1	
33	67258-99E00	·BRACKET	1	
34	67259-87D00	·SPRING, NEUTRAL ARM	1	
35	67261-99E00	·GRIP	1	
36	67296-94310	·SCREW, BUZZER BRKT	1	
37	67264-95600	·WASHER	1	
38	67267-95610	·COVER, WIRE	1	
39	67273-95600	·SPACER	1	
40	67275-95600	·END, CABLE	2	
41	67288-92E00	·WASHER	1	
42	67292-94300	·E RING	3	
43	67294-95600	·SPACER	3	
44	67296-90J00	·SCREW, COVER	5	
45	67296-94300	·SCREW	2	
46	67296-95600	·SCREW	3	
47	67296-95610	·SCREW	2	
48	67297-95600	·WASHER	2	
49	09100-08232	·BOLT (8X30)	1	
50	09126-05003	·SCREW (5X12)	2	
51	09140-06020	·NUT	3	
52	09160-06104	·WASHER (6.5X24X2)	3	
53	37859-90J00	·SPACER	1	
54	09407-12402	CLAMP(L:120)	2	

FIG.72

FIG. 72 (1-G-13) DRAG LING (DT40WR P40)

REF NO.	PART NO.	DESCRIPTION	Q' TY	REMARKS
1	67701-94430	LINK ASSY, DRAG	1	
2	67721-94310	·SPACER	1	
3	67725-99E10	·BOLT	1	
4	67726-99E00	·NUT	2	
5	67728-99E00	·WASHER	3	

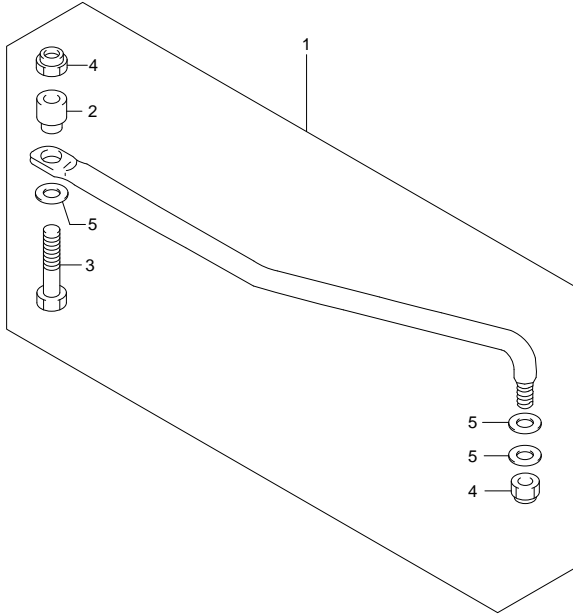


FIG.73

FIG.73 (1-G-14) DRAG LING (DT40WR P90)

REF NO.	PART NO.	DESCRIPTION	Q' TY	REMARKS
1	67701-94430	LINK ASSY, DRAG	1	
2	67721-94310	·SPACER	1	
3	67725-99E10	·BOLT	1	
4	67726-99E00	·NUT	2	
5	67728-99E00	·WASHER	3	

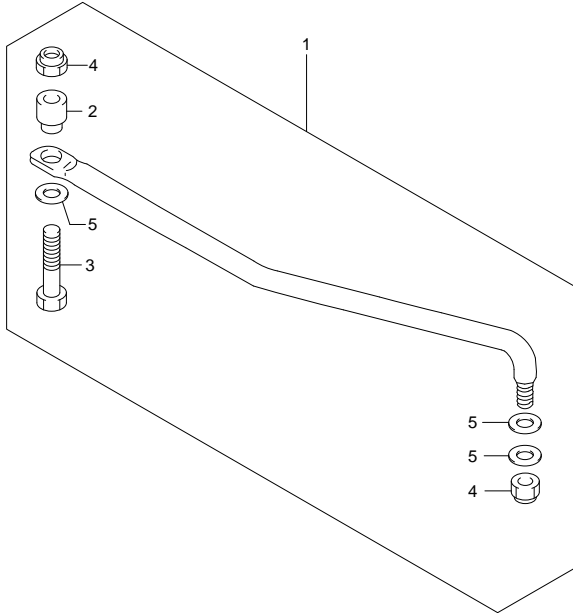


FIG.74

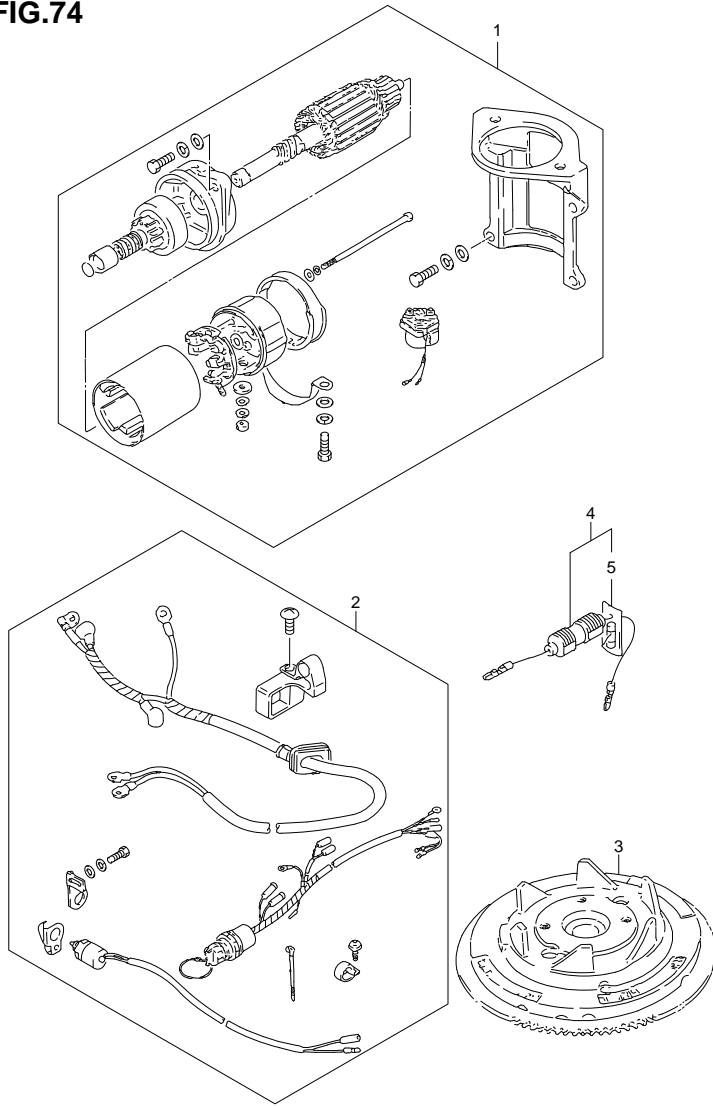


FIG.74 (1-G-15) OPT : STARTING MOTOR (DT40W P40)

REF NO.	PART NO.	DESCRIPTION	Q'TY	REMARKS
1	31101-94402-0EP	MOTOR SET, STARTING (BLACK)	1	
2	33800-94433	CABLE/SWITCH SET, STARTING	1	
3	32102-94451	FLYWHEEL	1	
4	36740-93901	CASE ASSY, FUSE	1	
5	09481-20001	-FUSE (20A)	1	

FIG.75

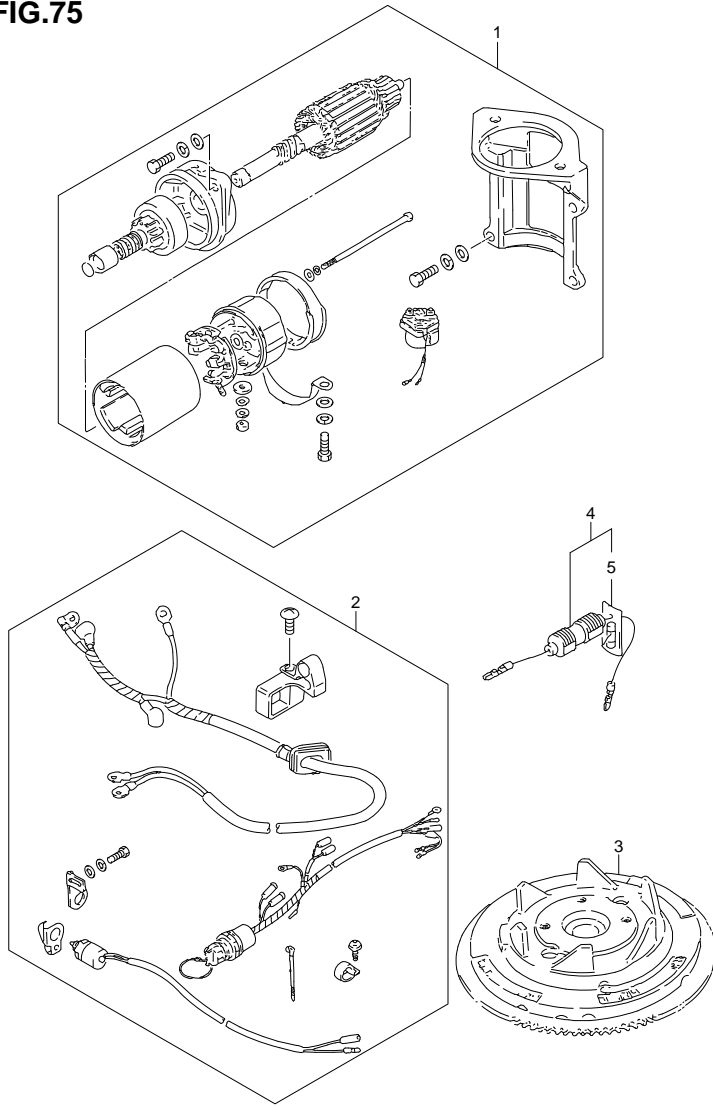


FIG.75 (1-H-2) OPT : STARTING MOTOR (DT40W P90)

REF NO.	PART NO.	DESCRIPTION	Q'TY	REMARKS
1	31101-94402-0EP	MOTOR SET, STARTING (BLACK)	1	
2	33800-94433	CABLE/SWITCH SET, STARTING	1	
3	32102-94451	FLYWHEEL	1	
4	36740-93901	CASE ASSY, FUSE	1	
5	09481-20001	-FUSE (20A)	1	

FIG.76

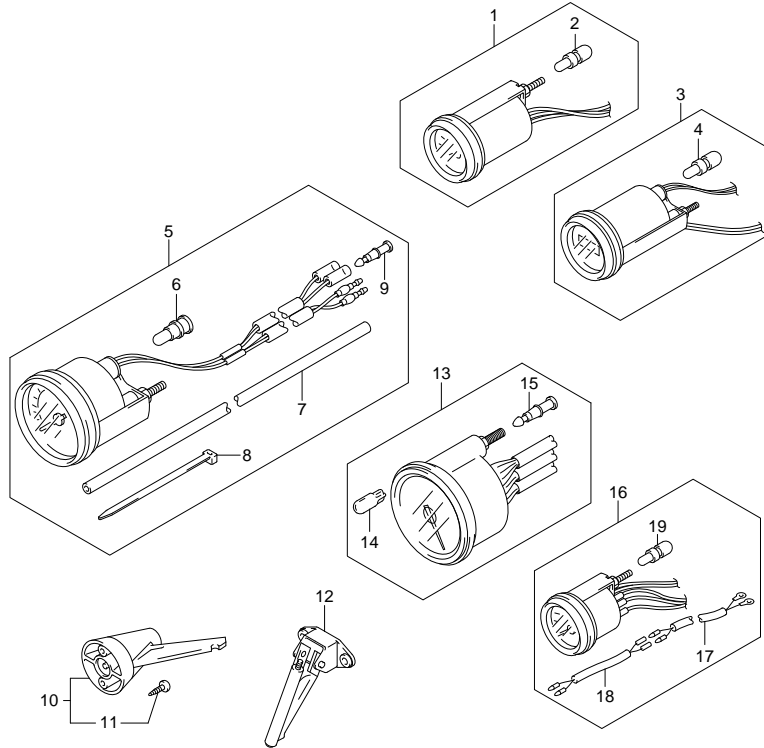


FIG.76 (1-H-3) OPT : METER (DT40W P40)

REF NO.	PART NO.	DESCRIPTION	Q'TY	REMARKS
1-1	34600-93J00	METER ASSY, VOLTAGE	1	BLACK
1-2	34600-93J11	METER ASSY, VOLTAGE	1	WHITE
2	09471-12103	·BULB (12V3.4W,T6.5)	1	
3-1	34500-93J00	METER ASSY, HOUR	1	BLACK
3-2	34500-93J11	METER ASSY, HOUR	1	WHITE
4	09471-12103	·BULB (12V3.4W,T6.5)	1	
5-1	34100-93J20	SPEEDOMETER ASSY	1	MAX 80KM/H BLACK
5-2	34100-93J31	SPEEDOMETER ASSY	1	MAX 80KM/H WHITE
5-3	34100-93J40	SPEEDOMETER ASSY	1	MAX 45KNOTS BLACK
5-4	34100-93J51	SPEEDOMETER ASSY	1	MAX 45KNOTS WHITE
6	09471-12028	·BULB (12V,3.4W,T10)	1	
7	34191-92E00	·TUBE	1	
8	09407-14407	·CLAMP (L:145)	2	
9	36615-96300	·TERMINAL, RESIN	2	
10	34190-95500	SENDER ASSY, SPEEDOMETER	1	
11	03112-06303	·SCREW	2	
12	34190-87D00	SENDER ASSY, SPEEDOMETER	1	
13-1	34200-93J20	TACHOMETER ASSY	1	BLACK
13-2	34200-93J31	TACHOMETER ASSY	1	WHITE
14	09471-12028	·BULB (12V,3.4W,T10)	1	
15	36615-96300	·TERMINAL	4	
16-1	34300-93J00	GAUGE ASSY, FUEL	1	BLACK
16-2	34300-93J11	GAUGE ASSY, FUEL	1	WHITE
17	34310-92E00	·LEAD, FUEL GAUGE	1	
18	34360-92E00	·ADAPTER, FUEL GAUGE	1	
19	09471-12103	·BULB (12V3.4W,T6.5)	1	

FIG.77

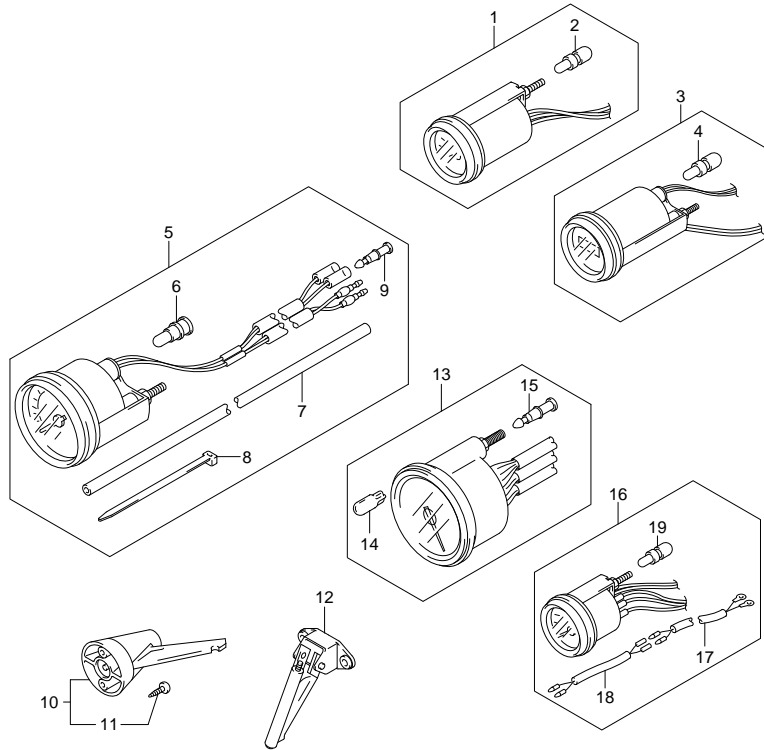


FIG. 77 (1-H-4) OPT : METER (DT40WR P40)

REF NO.	PART NO.	DESCRIPTION	Q'TY	REMARKS
1-1	34600-93J00	METER ASSY, VOLTAGE	1	BLACK
1-2	34600-93J11	METER ASSY, VOLTAGE	1	WHITE
2	09471-12103	·BULB (12V3.4W,T6.5)	1	
3-1	34500-93J00	METER ASSY, HOUR	1	BLACK
3-2	34500-93J11	METER ASSY, HOUR	1	WHITE
4	09471-12103	·BULB (12V3.4W,T6.5)	1	
5-1	34100-93J20	SPEEDOMETER ASSY	1	MAX 80KM/H BLACK
5-2	34100-93J31	SPEEDOMETER ASSY	1	MAX 80KM/H WHITE
5-3	34100-93J40	SPEEDOMETER ASSY	1	MAX 45KNOTS BLACK
5-4	34100-93J51	SPEEDOMETER ASSY	1	MAX 45KNOTS WHITE
6	09471-12028	·BULB (12V,3.4W,T10)	1	
7	34191-92E00	·TUBE	1	
8	09407-14407	·CLAMP (L:145)	2	
9	36615-96300	·TERMINAL, RESIN	2	
10	34190-95500	SENDER ASSY, SPEEDOMETER	1	
11	03112-06303	·SCREW	2	
12	34190-87D00	SENDER ASSY, SPEEDOMETER	1	
13-1	34200-93J20	TACHOMETER ASSY	1	BLACK
13-2	34200-93J31	TACHOMETER ASSY	1	WHITE
14	09471-12028	·BULB (12V,3.4W,T10)	1	
15	36615-96300	·TERMINAL	4	
16-1	34300-93J00	GAUGE ASSY, FUEL	1	BLACK
16-2	34300-93J11	GAUGE ASSY, FUEL	1	WHITE
17	34310-92E00	·LEAD, FUEL GAUGE	1	
18	34360-92E00	·ADAPTER, FUEL GAUGE	1	
19	09471-12103	·BULB (12V3.4W,T6.5)	1	

FIG.78

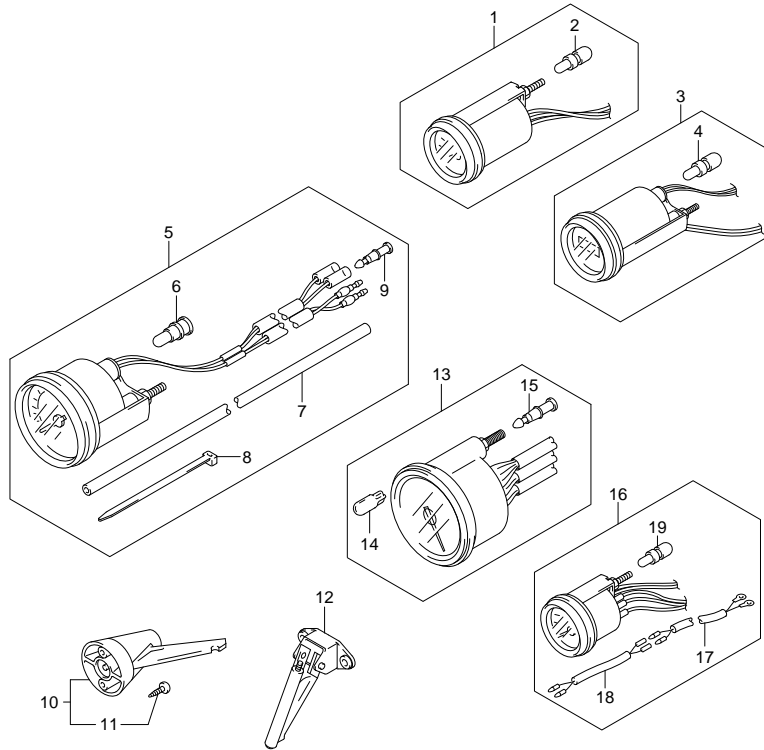


FIG. 78 (1-H-5) OPT : METER (DT40WR P90)

REF NO.	PART NO.	DESCRIPTION	Q'TY	REMARKS
1-1	34600-93J00	METER ASSY, VOLTAGE	1	BLACK
1-2	34600-93J11	METER ASSY, VOLTAGE	1	WHITE
2	09471-12103	·BULB (12V3.4W,T6.5)	1	
3-1	34500-93J00	METER ASSY, HOUR	1	BLACK
3-2	34500-93J11	METER ASSY, HOUR	1	WHITE
4	09471-12103	·BULB (12V3.4W,T6.5)	1	
5-1	34100-93J20	SPEEDOMETER ASSY	1	MAX 80KM/H BLACK
5-2	34100-93J31	SPEEDOMETER ASSY	1	MAX 80KM/H WHITE
5-3	34100-93J40	SPEEDOMETER ASSY	1	MAX 45KNOTS BLACK
5-4	34100-93J51	SPEEDOMETER ASSY	1	MAX 45KNOTS WHITE
6	09471-12028	·BULB (12V,3.4W,T10)	1	
7	34191-92E00	·TUBE	1	
8	09407-14407	·CLAMP (L:145)	2	
9	36615-96300	·TERMINAL, RESIN	2	
10	34190-95500	SENDER ASSY, SPEEDOMETER	1	
11	03112-06303	·SCREW	2	
12	34190-87D00	SENDER ASSY, SPEEDOMETER	1	
13-1	34200-93J20	TACHOMETER ASSY	1	BLACK
13-2	34200-93J31	TACHOMETER ASSY	1	WHITE
14	09471-12028	·BULB (12V,3.4W,T10)	1	
15	36615-96300	·TERMINAL	4	
16-1	34300-93J00	GAUGE ASSY, FUEL	1	BLACK
16-2	34300-93J11	GAUGE ASSY, FUEL	1	WHITE
17	34310-92E00	·LEAD, FUEL GAUGE	1	
18	34360-92E00	·ADAPTER, FUEL GAUGE	1	
19	09471-12103	·BULB (12V3.4W,T6.5)	1	

FIG.79

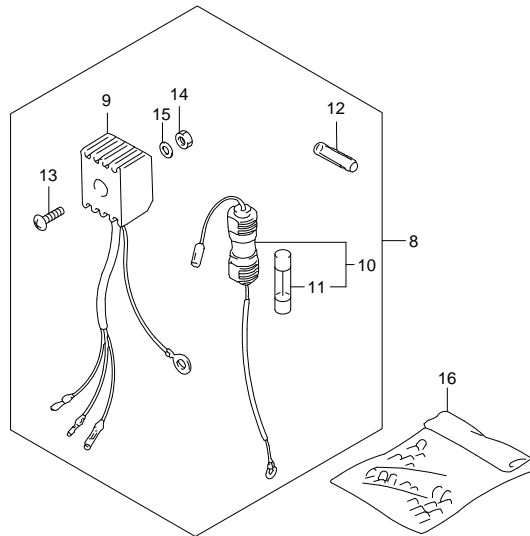
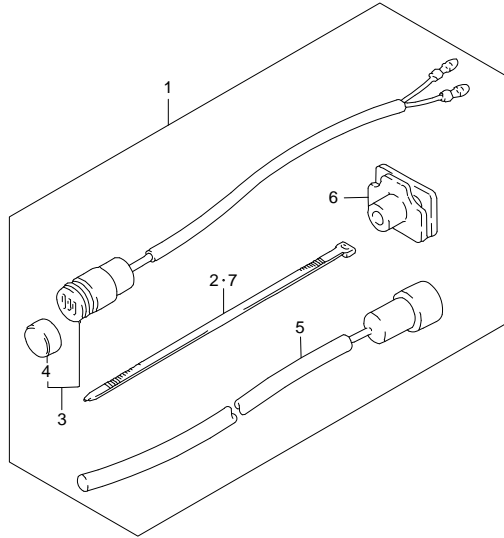


FIG.79 (1-H-6) OPT : ELECTRICAL (MANUAL STARTER) (DT40W P40)

REF NO.	PART NO.	DESCRIPTION	Q'TY	REMARKS
1	39600-93910	RECEPTACLE SET	1	
2	09407-25402	·CLAMP (L:248)	1	
3	39601-95D00	·RECEPTACLE ASSY, LIGHTING	1	
4	36634-93910	··CAP	1	
5	39602-93900	·PLUG ASSY, LIGHTING	1	
6	39603-94400	·GROMMET, LIGHTING CABLE	1	
7	09407-10403	·CLAMP (L:95)	1	
8	32801-94402	RECTIFIER SET	1	
9	32800-95D01	·RECTIFIER ASSY	1	
10	36740-95253	·CASE ASSY, FUSE	1	
11	09481-20001	··FUSE (20A)	1	
12	37132-93700	·CONNECTOR, LEAD	1	
13	02142-05257	·SCREW	1	
14	08310-00057	·NUT	1	
15	08321-0105A	·WASHER	1	
16	36990-87D00	TERMINAL/SLEEVE SET	1	

FIG.80

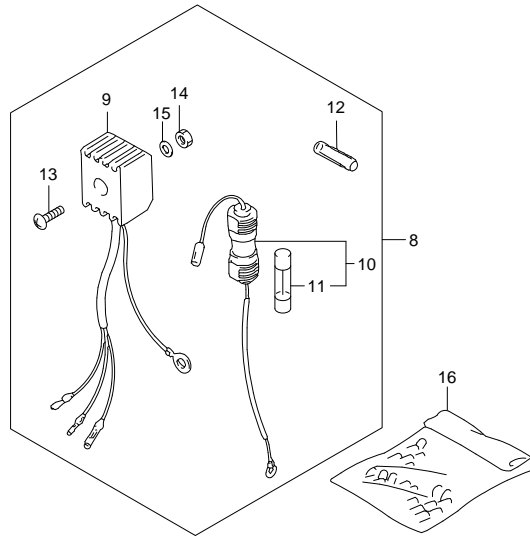
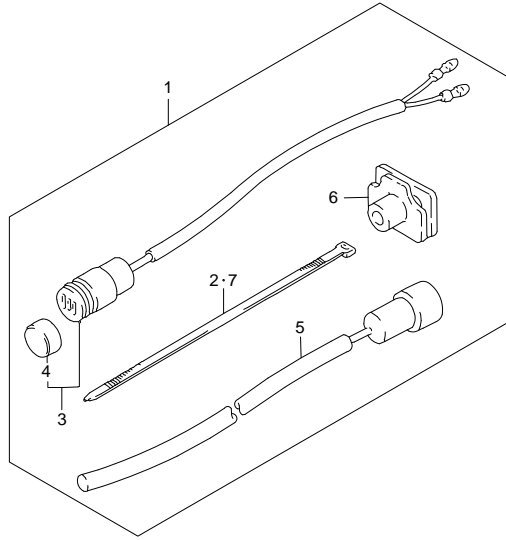


FIG. 80 (1-H-7) OPT : ELECTRICAL (MANUAL STARTER) (DT40W P90)

REF NO.	PART NO.	DESCRIPTION	Q'TY	REMARKS
1	39600-93910	RECEPTACLE SET	1	
2	09407-25402	·CLAMP (L:248)	1	
3	39601-95D00	·RECEPTACLE ASSY, LIGHTING	1	
4	36634-93910	··CAP	1	
5	39602-93900	·PLUG ASSY, LIGHTING	1	
6	39603-94400	·GROMMET, LIGHTING CABLE	1	
7	09407-10403	·CLAMP (L:95)	1	
8	32801-94402	RECTIFIER SET	1	
9	32800-95D01	·RECTIFIER ASSY	1	
10	36740-95253	·CASE ASSY, FUSE	1	
11	09481-20001	··FUSE (20A)	1	
12	37132-93700	·CONNECTOR, LEAD	1	
13	02142-05257	·SCREW	1	
14	08310-00057	·NUT	1	
15	08321-0105A	·WASHER	1	
16	36990-87D00	TERMINAL/SLEEVE SET	1	

FIG.81

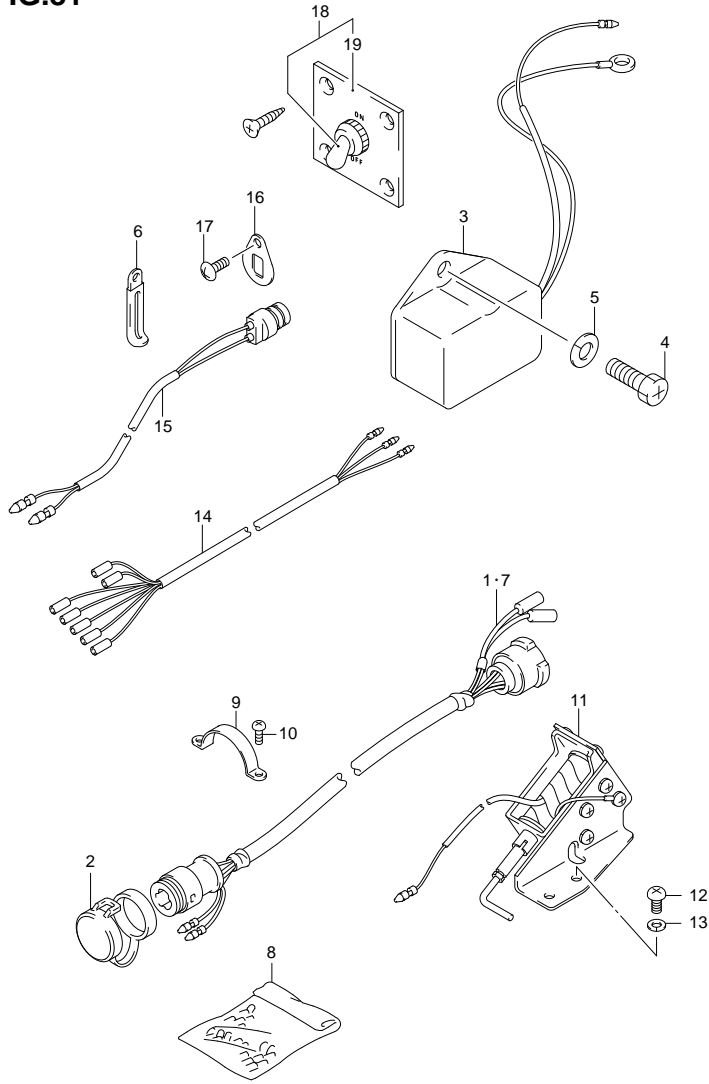


FIG. 81 (1-H-8) OPT : ELECTRICAL (ELECTRIC STARTER) (DT40W P40)

REF NO.	PART NO.	DESCRIPTION	Q'TY	REMARKS
1-1	36620-87D20	WIRING HARNESS EXTENSION	1	L:5000
1-2	36620-95302	WIRING HARNESS EXTENSION	1	L:2000
2	36631-94300	·CAP	1	
3	32500-95722	REGULATOR ASSY. VOLTAGE	1	
4	02162-06127	BOLT	2	
5	08321-01067	LOCK WASHER	2	
6	29404-93J10	CLAMP	1	
7	36620-92E00	WIRING ASSY, REMOCON EXTENSION	1	
8	36990-87D00	TERMINAL/SLEEVE SET	1	
9	38501-95500	BAND, BUZZER	1	
10	02112-05087	SCREW	2	
11	38600-94400	SOLENOID ASSY, CHOKE	1	
12	02112-05107	SCREW	2	
13	08321-0105A	LOCK WASHER	2	
14	36630-92E00	WIRE, INSTRUMENT	1	
15	34850-94610	SENSOR ASSY, HEAT	1	
16	34853-94700	SUPPORTER, HEAT SENSOR	1	
17	29125-93J00	SCREW	1	
18	37210-93J00	PANEL ASSY, LIGHTING SW	1	
19	37212-93J00	·PANEL, LIGHTING SW	1	

FIG.82

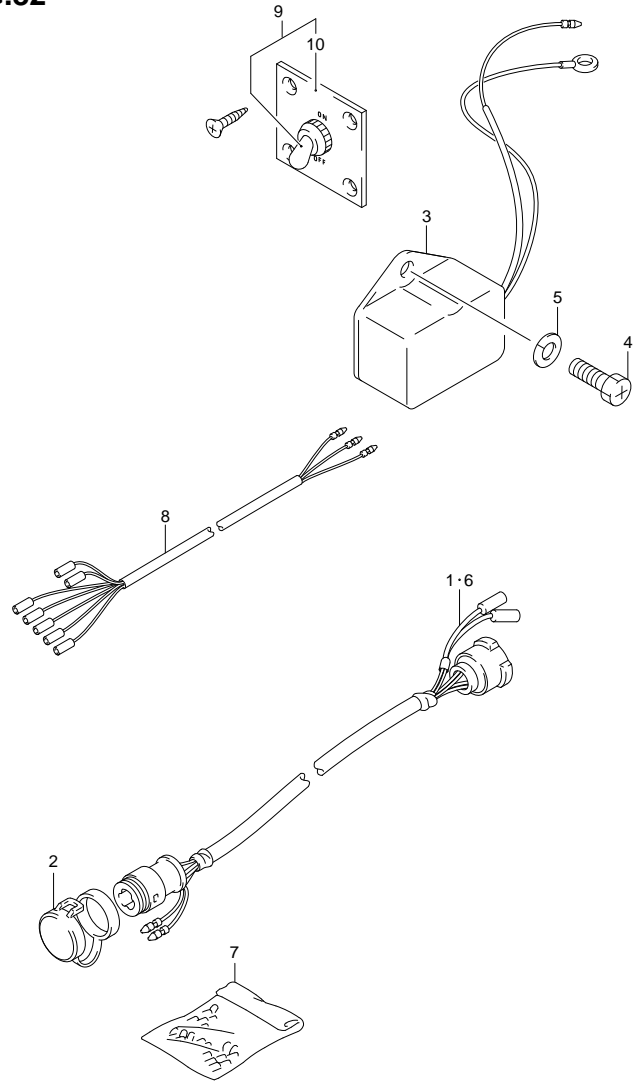


FIG. 82 (1-H-9) OPT : ELECTRICAL (ELECTRIC STARTER) (DT40WR P40)

REF NO.	PART NO.	DESCRIPTION	Q'TY	REMARKS
1-1	36620-87D20	WIRING HARNESS EXTENSION	1	L:5000
1-2	36620-95302	WIRING HARNESS EXTENSION	1	L:2000
2	36631-94300	·CAP	1	
3	32500-95722	REGULATOR ASSY. VOLTAGE	1	
4	02162-06127	BOLT	2	
5	08321-01067	LOCK WASHER	2	
6	36620-92E00	WIRING ASSY. REMOCON EXTENSION	1	
7	36990-87D00	TERMINAL/SLEEVE SET	1	
8	36630-92E00	WIRE, INSTRUMENT	1	
9	37210-93J00	PANEL ASSY, LIGHTING SW	1	
10	37212-93J00	·PANEL, LIGHTING SW	1	

FIG.83

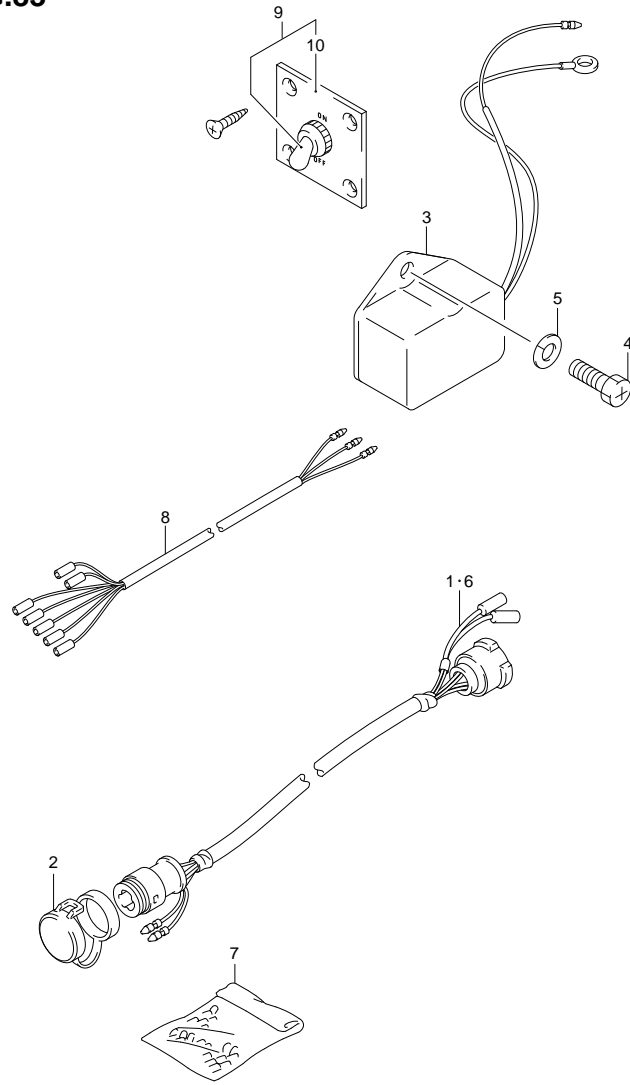


FIG. 83 (1-H-10) OPT : ELECTRICAL (ELECTRIC STARTER) (DT40WR P90)

REF NO.	PART NO.	DESCRIPTION	Q'TY	REMARKS
1-1	36620-87D20	WIRING HARNESS EXTENSION	1	L:5000
1-2	36620-95302	WIRING HARNESS EXTENSION	1	L:2000
2	36631-94300	·CAP	1	
3	32500-95722	REGULATOR ASSY. VOLTAGE	1	
4	02162-06127	BOLT	2	
5	08321-01067	LOCK WASHER	2	
6	36620-92E00	WIRING ASSY. REMOCON EXTENSION	1	
7	36990-87D00	TERMINAL/SLEEVE SET	1	
8	36630-92E00	WIRE, INSTRUMENT	1	
9	37210-93J00	PANEL ASSY, LIGHTING SW	1	
10	37212-93J00	·PANEL, LIGHTING SW	1	

FIG.84

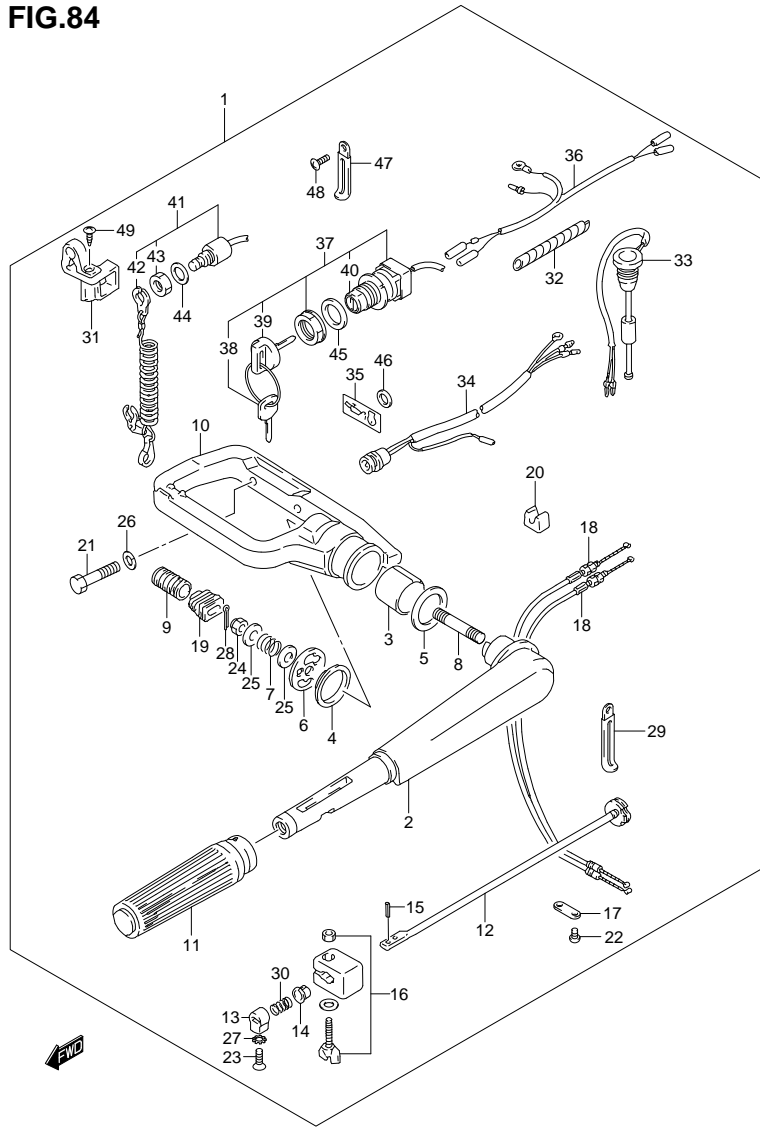


FIG.84 (1-H-11) OPT : TILLER HANDLE (DT40WR P40)

REF NO.	PART NO.	DESCRIPTION	Q'TY	REMARKS
1	63001-97E07-0EP	HANDLE ASSY, TILLER (BLACK)	1	
2	63111-97E05-0EP	·HANDLE, TILLER	1	
3	63115-97E00	·BUSH, TILLER HANDLE	1	
4	63116-97E00	·WASHER, TILLER HANDLE NO.1	1	
5	63117-97E01	·WASHER, TILLER HANDLE NO.2	1	
6	63125-97E01	·PLATE, TILLER HANDLE	1	
7	63126-97E01	·SPRING, HANDLE STUD	1	
8	09108-10137	·STUD BOLT	1	
9	63128-97E00	·COVER, HANDLE NUT	1	
10	63131-97E03-0EP	·BRACKET, TILLER HANDLE	1	
11	63210-93E30	·GRIP	1	
12	63220-96302	·ROD, HANDLE	1	
13	63223-92D00	·STOPPER, HANDLE ROD	1	
14	63225-93200	·BUSH, HANDLE ROD	1	
15	63227-93200	·PIN, HANDLE ROD	1	
16	63240-97E20	·ADJUSTER SET, HANDLE GRIP	1	
17	63241-92D00	·SUPPORT, HANDLE ROD	1	
18	63610-94402	·CABLE ASSY, THROTTLE	2	
19	63625-96300	·GROMMET, THROTTLE CABLE	1	
20	63627-94400	·GUIDE, THROTTLE CABLE	1	
21	09100-10155	·BOLT (10X50)	2	
22	09125-05046	·SCREW (5X12)	2	
23	09126-06015	·SCREW (6X23)	1	
24	09159-10050	·NUT	1	
25	09160-10082	·WASHER (10.5X19X2)	2	
26	09162-10005	·LOCK WASHER	2	
27	09163-06001	·LOCK WASHER	1	
28	09204-01002	·PIN	1	
29	29404-93J20	·CLAMP, THROTTLE CABLE	1	
30	09440-12027	·SPRING	1	
31	33816-96300	·CLAMP, CABLE	1	
32	33833-91J00	·TUBE, EMERGENCY SWITCH LEAD	1	L.250->100
33	34860-94402	·SENSOR ASSY, OIL LEVEL	1	
34	36360-94400	·LAMP ASSY, OIL WARNING	1	

FIG.84

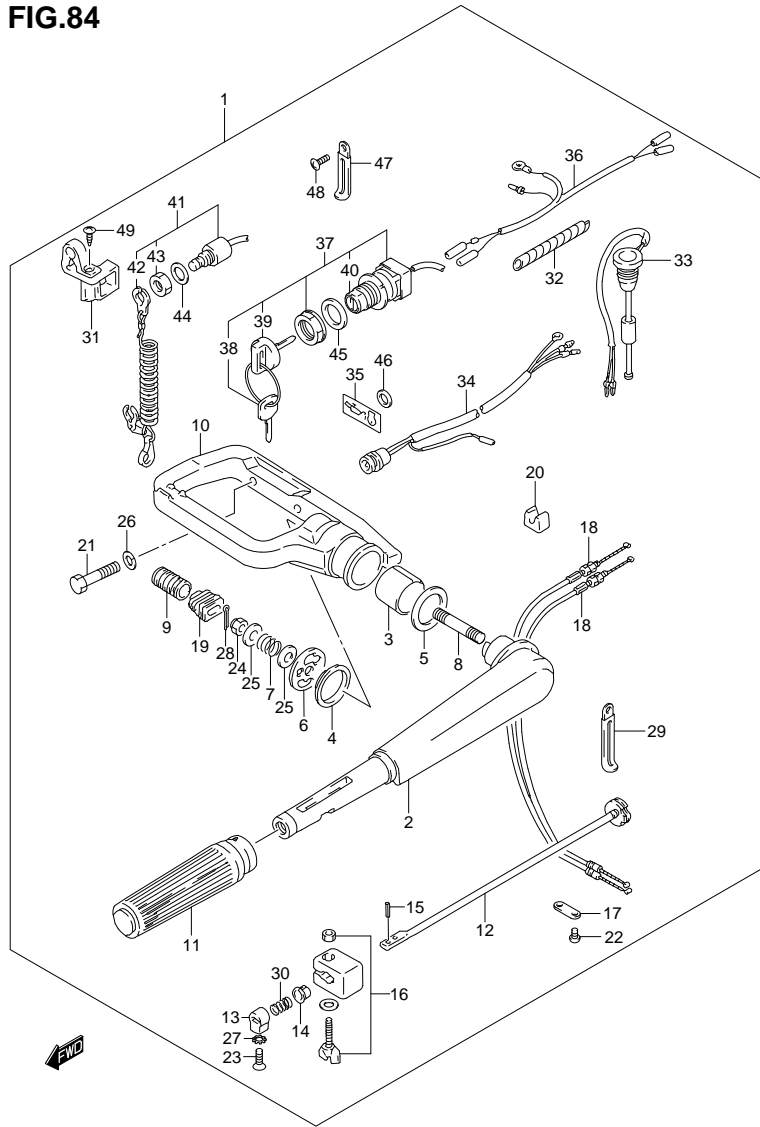


FIG.84 (1-H-12) OPT : TILLER HANDLE (DT40WR P40)

REF NO.	PART NO.	DESCRIPTION	Q'TY	REMARKS
35	36367-95D10-064	·LABEL, OIL (WHITE)	1	
36	36893-94410	·WIRE ASSY, IGNITION SW EXT	1	
37	37110-94470	·SWITCH ASSY, IGNITION	1	
38-1	37141-99E00	··KEY (931)	1	
38-2	37141-99E10	··KEY (932)	1	
38-3	37141-99E20	··KEY (933)	1	
38-4	37141-99E30	··KEY (934)	1	
38-5	37141-99E40	··KEY (935)	1	
38-6	37141-99E50	··KEY (936)	1	
38-7	37141-99E60	··KEY (937)	1	
38-8	37141-99E70	··KEY (938)	1	
38-9	37141-99E80	··KEY (939)	1	
38-10	37141-99E90	··KEY (940)	1	
38-11	37141-99EA0	··KEY (941)	1	
38-12	37141-99EB0	··KEY (942)	1	
39	37143-99E00	··CAP, KEY	1	
40	37149-93J00	··CAP, CYLINDER BODY	1	
41	37820-92E03	·SWITCH ASSY, EMERGENCY	1	
42	37823-92E01	··PLATE	1	
43	37826-92E00	··NUT	1	
44	09160-12067	·WASHER (12.5X23X1)	1	
45	09160-25069	·WASHER (25X40X1.1)	1	
46	09320-11004	·CUSHION	1	
47	29404-93J10	·CLAMP, IGNITION SWITCH LEAD	1	
48	02142-06127	·SCREW	1	
49	03241-0625A	·SCREW	1	

FIG.85

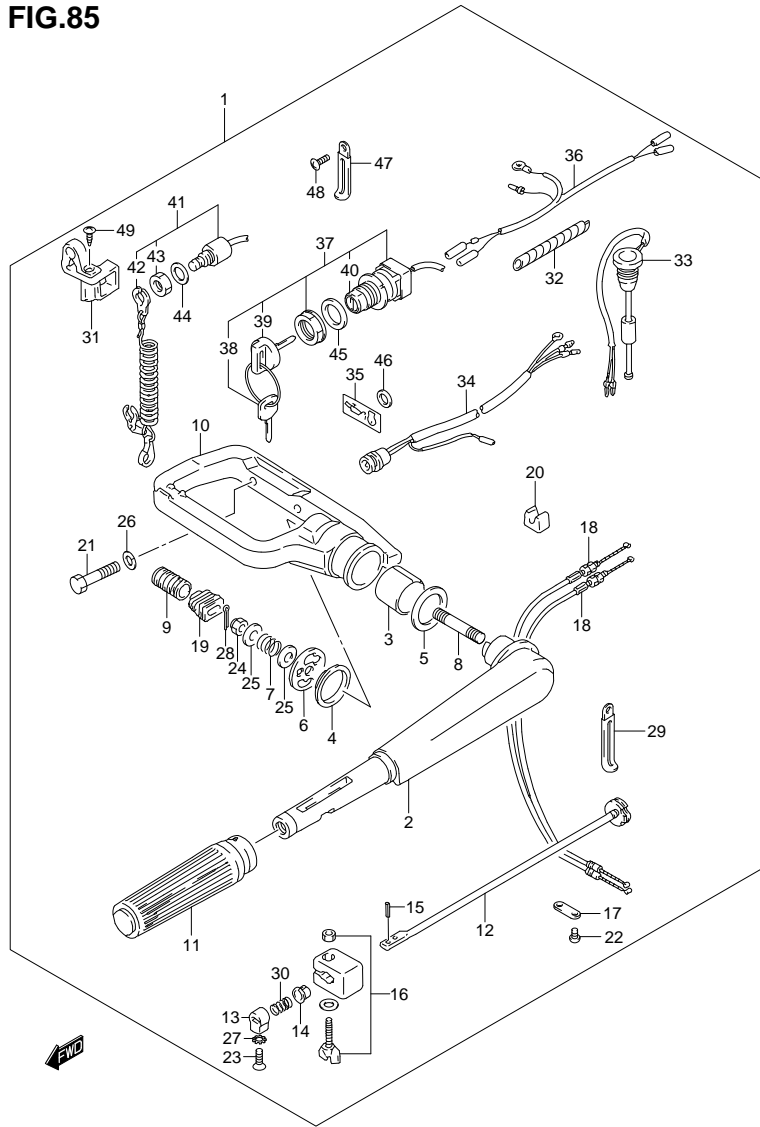


FIG.85 (1-H-13) OPT : TILLER HANDLE (DT40WR P90)

REF NO.	PART NO.	DESCRIPTION	Q'TY	REMARKS
1	63001-97E07-0EP	HANDLE ASSY, TILLER (BLACK)	1	
2	63111-97E05-0EP	·HANDLE, TILLER	1	
3	63115-97E00	·BUSH, TILLER HANDLE	1	
4	63116-97E00	·WASHER, TILLER HANDLE NO.1	1	
5	63117-97E01	·WASHER, TILLER HANDLE NO.2	1	
6	63125-97E01	·PLATE, TILLER HANDLE	1	
7	63126-97E01	·SPRING, HANDLE STUD	1	
8	09108-10137	·STUD BOLT	1	
9	63128-97E00	·COVER, HANDLE NUT	1	
10	63131-97E03-0EP	·BRACKET, TILLER HANDLE	1	
11	63210-93E30	·GRIP	1	
12	63220-96302	·ROD, HANDLE	1	
13	63223-92D00	·STOPPER, HANDLE ROD	1	
14	63225-93200	·BUSH, HANDLE ROD	1	
15	63227-93200	·PIN, HANDLE ROD	1	
16	63240-97E20	·ADJUSTER SET, HANDLE GRIP	1	
17	63241-92D00	·SUPPORT, HANDLE ROD	1	
18	63610-94402	·CABLE ASSY, THROTTLE	2	
19	63625-96300	·GROMMET, THROTTLE CABLE	1	
20	63627-94400	·GUIDE, THROTTLE CABLE	1	
21	09100-10155	·BOLT (10X50)	2	
22	09125-05046	·SCREW (5X12)	2	
23	09126-06015	·SCREW (6X23)	1	
24	09159-10050	·NUT	1	
25	09160-10082	·WASHER (10.5X19X2)	2	
26	09162-10005	·LOCK WASHER	2	
27	09163-06001	·LOCK WASHER	1	
28	09204-01002	·PIN	1	
29	29404-93J20	·CLAMP, THROTTLE CABLE	1	
30	09440-12027	·SPRING	1	
31	33816-96300	·CLAMP, CABLE	1	
32	33833-91J00	·TUBE, EMERGENCY SWITCH LEAD	1	L.250->100
33	34860-94402	·SENSOR ASSY, OIL LEVEL	1	
34	36360-94400	·LAMP ASSY, OIL WARNING	1	

FIG.85

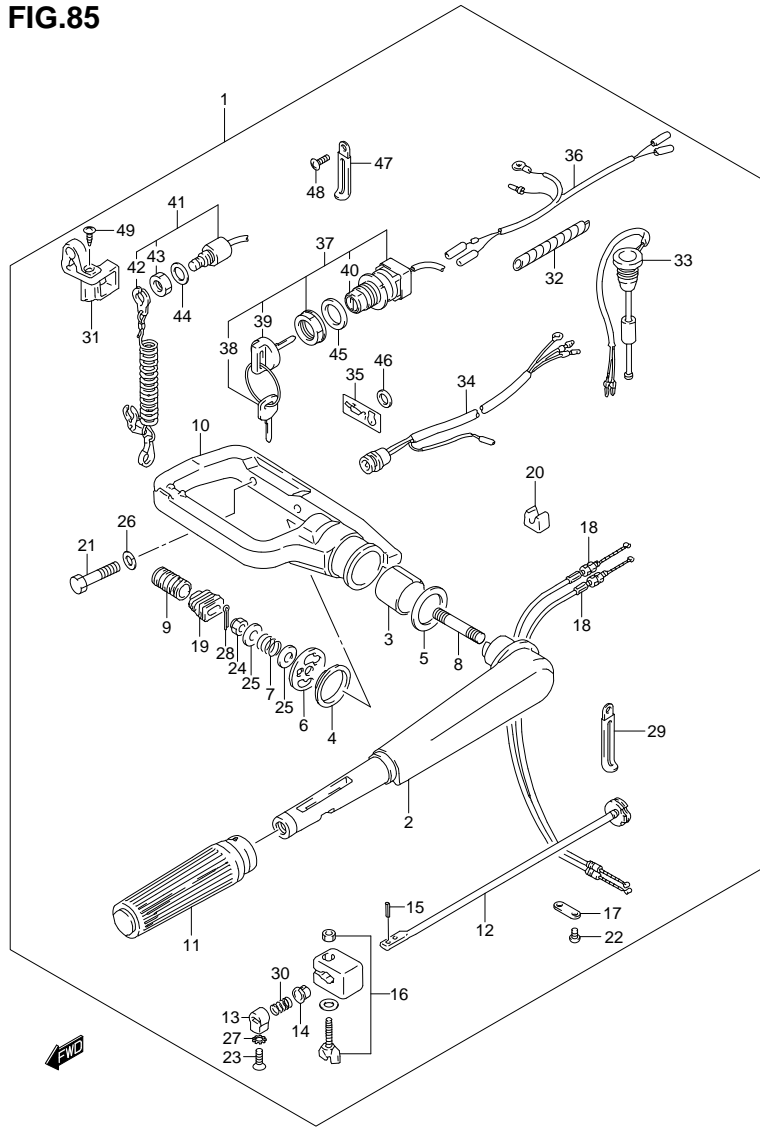


FIG.85 (1-H-14) OPT : TILLER HANDLE (DT40WR P90)

REF NO.	PART NO.	DESCRIPTION	Q T Y	REMARKS
35	36367-95D10-064	·LABEL, OIL (WHITE)	1	
36	36893-94410	·WIRE ASSY, IGNITION SW EXT	1	
37	37110-94470	·SWITCH ASSY, IGNITION	1	
38-1	37141-99E00	··KEY (931)	1	
38-2	37141-99E10	··KEY (932)	1	
38-3	37141-99E20	··KEY (933)	1	
38-4	37141-99E30	··KEY (934)	1	
38-5	37141-99E40	··KEY (935)	1	
38-6	37141-99E50	··KEY (936)	1	
38-7	37141-99E60	··KEY (937)	1	
38-8	37141-99E70	··KEY (938)	1	
38-9	37141-99E80	··KEY (939)	1	
38-10	37141-99E90	··KEY (940)	1	
38-11	37141-99EA0	··KEY (941)	1	
38-12	37141-99EB0	··KEY (942)	1	
39	37143-99E00	··CAP, KEY	1	
40	37149-93J00	··CAP, CYLINDER BODY	1	
41	37820-92E03	·SWITCH ASSY, EMERGENCY	1	
42	37823-92E01	··PLATE	1	
43	37826-92E00	··NUT	1	
44	09160-12067	·WASHER (12.5X23X1)	1	
45	09160-25069	·WASHER (25X40X1.1)	1	
46	09320-11004	·CUSHION	1	
47	29404-93J10	·CLAMP, IGNITION SWITCH LEAD	1	
48	02142-06127	·SCREW	1	
49	03241-0625A	·SCREW	1	

FIG.86

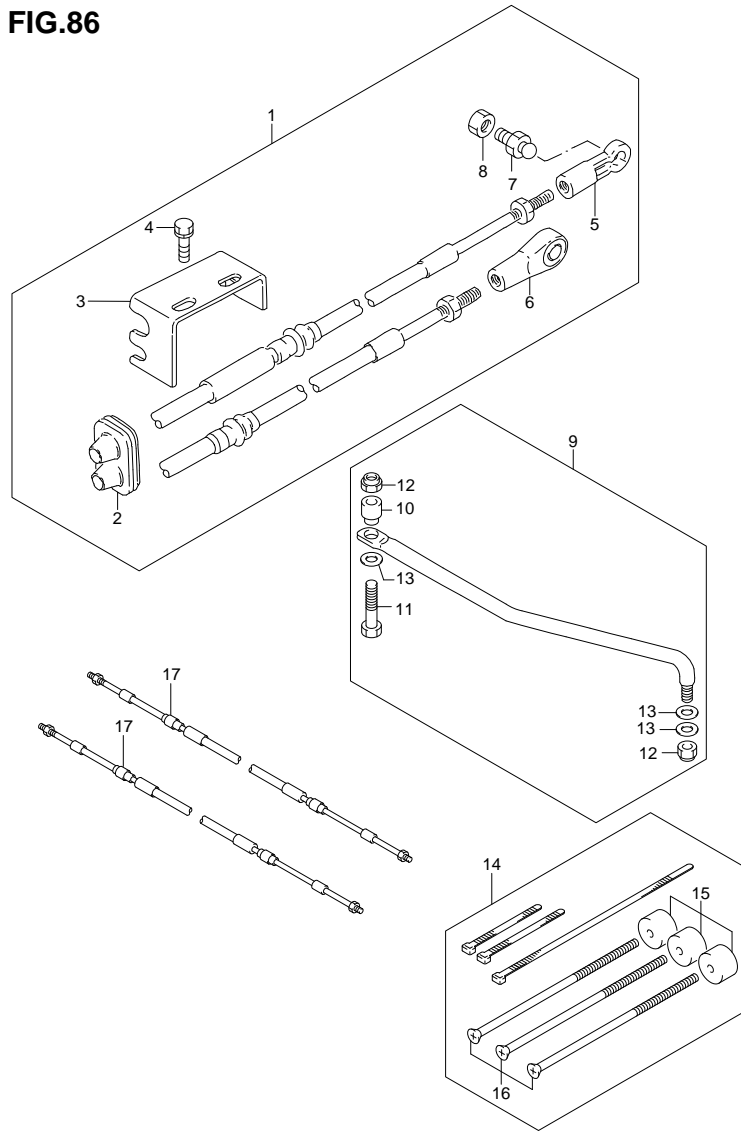


FIG.86 (1-H-15) OPT : REMOCON PARTS (DT40W P40)

REF NO.	PART NO.	DESCRIPTION	Q'TY	REMARKS
1	67130-94812	PARTS ASSY, REMOCON	1	
2	67331-94400	·GROMMET, REMOCON CABLE	1	
3	67341-94400	·HOLDER, REMOCON CABLE	1	
4	09116-06094	·BOLT (6X15)	2	
5	67466-95200	·CONNECTOR, REMOCON CABLE	1	
6	67467-94404	·CONNECTOR, REMOCON CABLE (CL)	1	
7	09119-06047	·BALL PIVOT	1	
8	29141-93J00	·NUT	1	
9	67701-94430	LINK ASSY, DRAG	1	
10	67721-94310	·SPACER	1	
11	67725-99E10	·BOLT	1	
12	67726-99E00	·NUT	2	
13	67728-99E00	·WASHER	3	
14	67140-95600	ATTACHMENT KIT, TWIN R/CON	1	
15	67294-95600	·SPACER	3	
16	67296-95620	·SCREW	3	
17-1	67320-93J00	CABLE, REMOCON 8F (2.4M)	2	
17-2	67320-93J10	CABLE, REMOCON 10F (3.1M)	2	
17-3	67320-93J20	CABLE, REMOCON 12F (3.7M)	2	
17-4	67320-93J30	CABLE, REMOCON 14F (4.3M)	2	
17-5	67320-93J40	CABLE, REMOCON 16F (4.9M)	2	
17-6	67320-93J50	CABLE, REMOCON 18F (5.5M)	2	
17-7	67320-93J60	CABLE, REMOCON 20F (6.1M)	2	
17-8	67320-93J70	CABLE, REMOCON 22F (6.7M)	2	
17-9	67320-93J80	CABLE, REMOCON 24F (7.3M)	2	

FIG.87

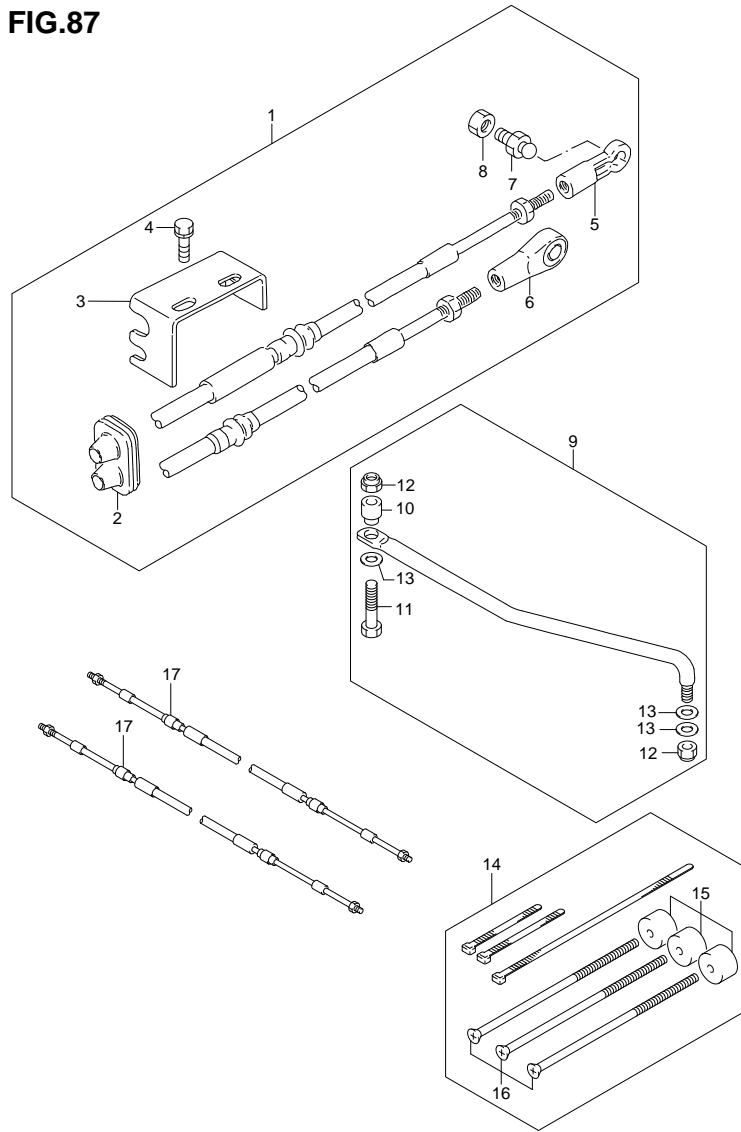


FIG. 87 (1-1-2) OPT : REMOCON PARTS (DT40W P90)

REF NO.	PART NO.	DESCRIPTION	Q T Y	REMARKS
1	67130-94812	PARTS ASSY, REMOCON	1	
2	67331-94400	·GROMMET, REMOCON CABLE	1	
3	67341-94400	·HOLDER, REMOCON CABLE	1	
4	09116-06094	·BOLT (6X15)	2	
5	67466-95200	·CONNECTOR, REMOCON CABLE	1	
6	67467-94404	·CONNECTOR, REMOCON CABLE (CL)	1	
7	09119-06047	·BALL PIVOT	1	
8	29141-93J00	·NUT	1	
9	67701-94430	LINK ASSY, DRAG	1	
10	67721-94310	·SPACER	1	
11	67725-99E10	·BOLT	1	
12	67726-99E00	·NUT	2	
13	67728-99E00	·WASHER	3	
14	67140-95600	ATTACHMENT KIT, TWIN R/CON	1	
15	67294-95600	·SPACER	3	
16	67296-95620	·SCREW	3	
17-1	67320-93J00	CABLE, REMOCON 8F (2.4M)	2	
17-2	67320-93J10	CABLE, REMOCON 10F (3.1M)	2	
17-3	67320-93J20	CABLE, REMOCON 12F (3.7M)	2	
17-4	67320-93J30	CABLE, REMOCON 14F (4.3M)	2	
17-5	67320-93J40	CABLE, REMOCON 16F (4.9M)	2	
17-6	67320-93J50	CABLE, REMOCON 18F (5.5M)	2	
17-7	67320-93J60	CABLE, REMOCON 20F (6.1M)	2	
17-8	67320-93J70	CABLE, REMOCON 22F (6.7M)	2	
17-9	67320-93J80	CABLE, REMOCON 24F (7.3M)	2	

FIG.88

FIG. 88 (1-1-3) OPT : REMOCON PARTS (DT40WR P40)

REF NO.	PART NO.	DESCRIPTION	Q T Y	REMARKS
1	67130-94812	PARTS ASSY, REMOCON	1	
2	67331-94400	·GROMMET, REMOCON CABLE	1	
3	67341-94400	·HOLDER, REMOCON CABLE	1	
4	09116-06094	·BOLT (6X15)	2	
5	67466-95200	·CONNECTOR, REMOCON CABLE	1	
6	67467-94404	·CONNECTOR, REMOCON CABLE (CL)	1	
7	09119-06047	·BALL PIVOT	1	
8	29141-93J00	·NUT	1	
9	67140-95600	ATTACHMENT KIT, TWIN R/ CON	1	
10	67294-95600	·SPACER	3	
11	67296-95620	·SCREW	3	
12-1	67320-93J00	CABLE, REMOCON 8F (2.4M)	2	
12-2	67320-93J10	CABLE, REMOCON 10F (3.1M)	2	
12-3	67320-93J20	CABLE, REMOCON 12F (3.7M)	2	
12-4	67320-93J30	CABLE, REMOCON 14F (4.3M)	2	
12-5	67320-93J40	CABLE, REMOCON 16F (4.9M)	2	
12-6	67320-93J50	CABLE, REMOCON 18F (5.5M)	2	
12-7	67320-93J60	CABLE, REMOCON 20F (6.1M)	2	
12-8	67320-93J70	CABLE, REMOCON 22F (6.7M)	2	
12-9	67320-93J80	CABLE, REMOCON 24F (7.3M)	2	

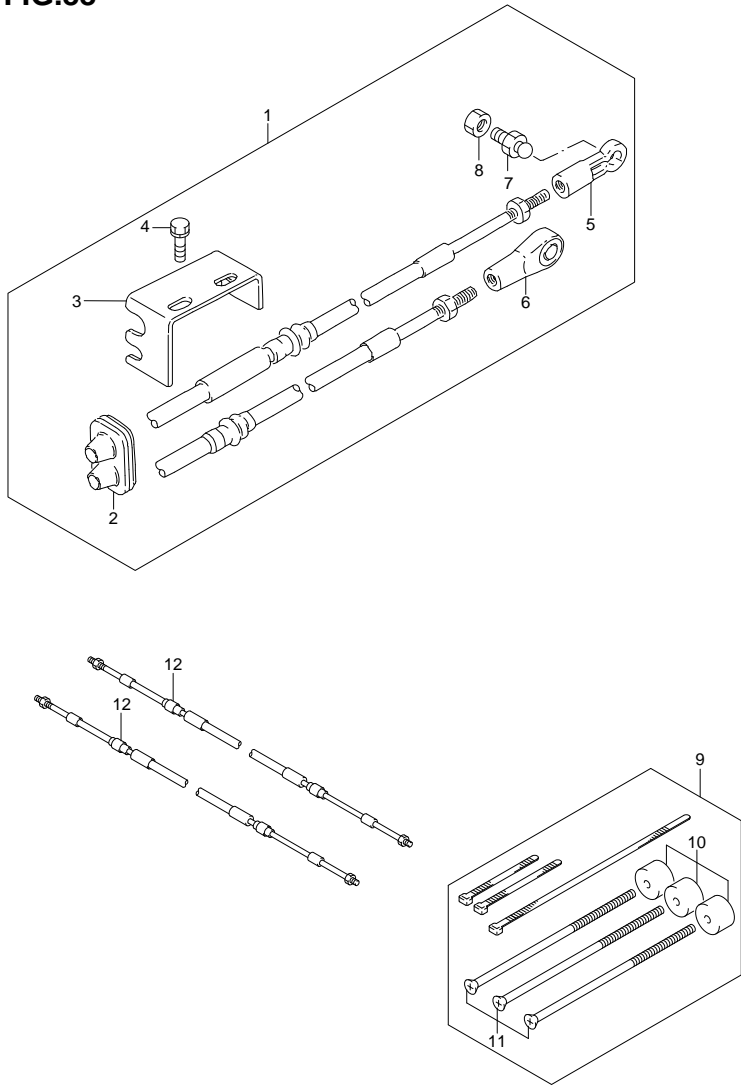
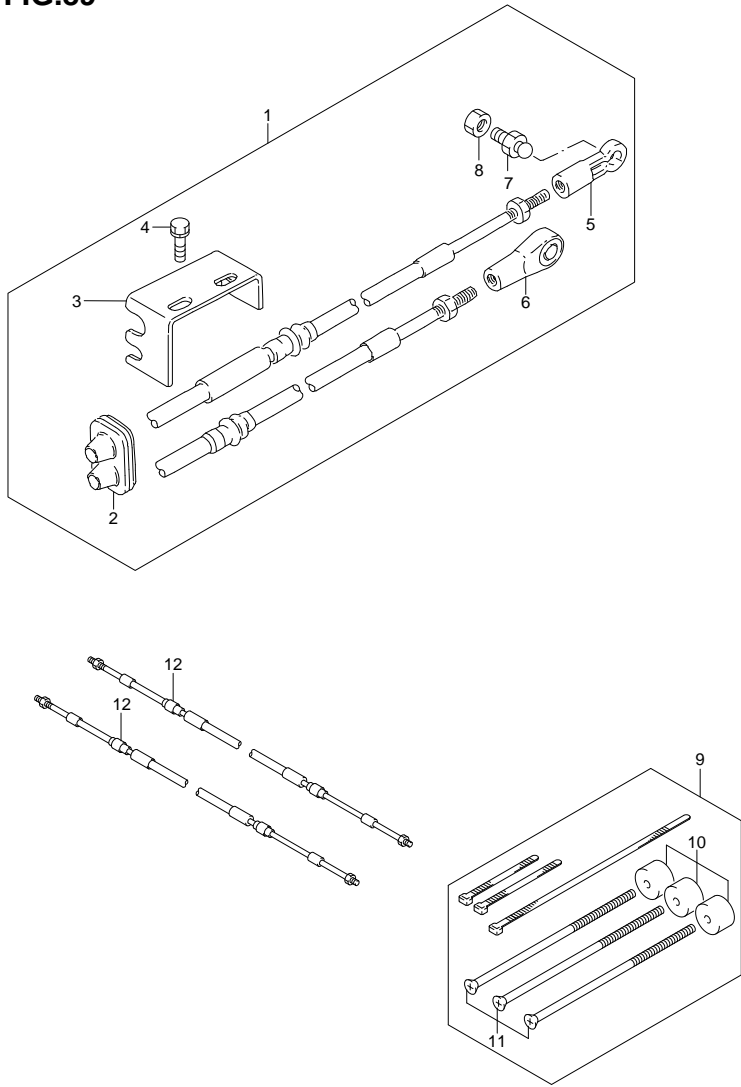


FIG.89

FIG. 89 (1-1-4) OPT : REMOCON PARTS (DT40WR P90)

REF NO.	PART NO.	DESCRIPTION	Q T Y	REMARKS
1	67130-94812	PARTS ASSY, REMOCON	1	
2	67331-94400	·GROMMET, REMOCON CABLE	1	
3	67341-94400	·HOLDER, REMOCON CABLE	1	
4	09116-06094	·BOLT (6X15)	2	
5	67466-95200	·CONNECTOR, REMOCON CABLE	1	
6	67467-94404	·CONNECTOR, REMOCON CABLE (CL)	1	
7	09119-06047	·BALL PIVOT	1	
8	29141-93J00	·NUT	1	
9	67140-95600	ATTACHMENT KIT, TWIN R/ CON	1	
10	67294-95600	·SPACER	3	
11	67296-95620	·SCREW	3	
12-1	67320-93J00	CABLE, REMOCON 8F (2.4M)	2	
12-2	67320-93J10	CABLE, REMOCON 10F (3.1M)	2	
12-3	67320-93J20	CABLE, REMOCON 12F (3.7M)	2	
12-4	67320-93J30	CABLE, REMOCON 14F (4.3M)	2	
12-5	67320-93J40	CABLE, REMOCON 16F (4.9M)	2	
12-6	67320-93J50	CABLE, REMOCON 18F (5.5M)	2	
12-7	67320-93J60	CABLE, REMOCON 20F (6.1M)	2	
12-8	67320-93J70	CABLE, REMOCON 22F (6.7M)	2	
12-9	67320-93J80	CABLE, REMOCON 24F (7.3M)	2	



PART NO.	FIG. NO. -REF. NO.	PART NO.	FIG. NO. -REF. NO.	PART NO.	FIG. NO. -REF. NO.
10000		12231-94413	2 - 14	15186-94300	13 - 4
		12232-94412	2 - 13	15321-99710	13 - 6
		12240-94432	2 - 15	15410-94400	13 - 7
		13111-92L00	3 - 3	15413-87D10	13 - 8
		13125-95210	3 - 4	15430-87D10	13 - 9
11111-92L00	1 - 3	13150-92L00	3 - 6	15851-94300	13 - 5
11141-94450	1 - 4	13152-92L00	3 - 8	17410-94431	14 - 3
11161-92L00	1 - 1	13153-92L00	3 - 7		15 - 3
11162-94410	1 - 2	13200-944J0	4 - 1		16 - 3
11281-94410	1 - 19	13235-94400	4 - 6		17 - 3
11291-94402	1 - 7	13245-94400	4 - 16	17431-94401	14 - 1
11300-92L00	1 - 9	13250-93012	4 - 7		16 - 1
11411-92L00	5 - 1	13251-95220	4 - 8	17431-94411	14 - 1
	6 - 1	13254-98300	4 - 9		15 - 1
	7 - 1	13267-93900	4 - 5		17 - 1
	8 - 1	13268-96111	4 - 19	17431-94441	14 - 1
11413-94411	5 - 2	13269-95210	4 - 4		16 - 1
	6 - 2	13271-93311	4 - 3	17432-96300	14 - 15
	7 - 2	13370-97E20	4 - 10		15 - 15
	8 - 2	13392-58600	4 - 20		16 - 15
11431-92L00	9 - 2	13426-95211	4 - 17		17 - 15
	10 - 2	13464-96350	4 - 12	17461-96312	14 - 9
	11 - 2	13580-94400	4 - 13		15 - 9
	12 - 2	13613-94300	4 - 11		16 - 9
11433-94412	9 - 1	13631-93501	4 - 21		17 - 9
	10 - 1	13811-94420	3 - 16	17471-94411	14 - 10
	11 - 1	13812-94410	3 - 17		15 - 10
11434-94411	12 - 1	13855-95210	3 - 18		16 - 10
	9 - 3	13910-94400	4 - 24		17 - 10
	10 - 3	14131-92L00	3 - 13	17472-96303	14 - 11
	11 - 3	14141-92L00	3 - 14		15 - 11
11435-94400	12 - 3	14151-94411	3 - 12		16 - 11
	55 - 7	14211-92L00	9 - 4		17 - 11
	56 - 7		11 - 4	17561-92L00	14 - 2
	57 - 7	14211-92L10	9 - 4		15 - 2
	58 - 7		10 - 4		17 - 2
12100-94400-050	2 - 24		11 - 4	17561-92L10	14 - 2
12110-92L00-0B0	2 - 1		12 - 4		16 - 2
12140-94400	2 - 2	14212-94413	9 - 5	17561-92L20	14 - 2
12140-94400-050	2 - 25		10 - 5		16 - 2
12151-94400	2 - 3		11 - 5	17563-94400	14 - 16
12161-94400	2 - 8		12 - 5		15 - 16
12200-92L00	2 - 7	15100-94311	13 - 1		16 - 16
12211-94410	2 - 11	15170-94320	13 - 2		17 - 16
12221-94413	2 - 12	15183-94301	13 - 3	17565-94400	14 - 17

PART NO.	FIG. NO. -REF. NO.	PART NO.	FIG. NO. -REF. NO.	PART NO.	FIG. NO. -REF. NO.
17565-94400	15 - 17		21 - 22		22 - 4
	16 - 17		22 - 22	25223-94400	23 - 4
	17 - 17		23 - 22		20 - 19
17566-94400	14 - 18	21121-94400	20 - 16		21 - 19
	15 - 18		21 - 16		22 - 19
	16 - 18		22 - 16	25232-96302	23 - 19
	17 - 18		23 - 16		20 - 25
17631-96320	59 - 4	21131-96010	64 - 6		21 - 25
17635-87E00	59 - 6	22511-99011	51 - 1		22 - 25
17635-87E10	59 - 26		52 - 1		23 - 25
17670-93962	1 - 18		53 - 1	25311-94402	20 - 9
17681-92L00	1 - 17		54 - 1		21 - 9
17685-94410	1 - 16	23111-94401	20 - 1		22 - 9
18100-94430	18 - 1		21 - 1		23 - 9
18121-94410	18 - 2		22 - 1	25700-88L00	59 - 27
18130-94400	18 - 3		23 - 1	29101-93J00	51 - 27
18142-95210	18 - 5	23131-94400	20 - 12		52 - 27
18151-94410	18 - 12		21 - 12		53 - 30
18153-94410	18 - 4		22 - 12		54 - 30
18191-94410	18 - 6		23 - 12	29103-93J00	60 - 14
18210-93002	18 - 7	23211-94401	20 - 21		61 - 14
18280-94400	18 - 8		21 - 21		62 - 14
18290-94400	18 - 9		22 - 21		63 - 14
18711-92L00	18 - 13		23 - 21	29103-94400	9 - 6
18721-92L00	18 - 14	23213-94400	20 - 7		10 - 6
19121-94400	19 - 1		21 - 7		11 - 6
19131-95502	19 - 2		22 - 7		12 - 6
19135-94400	19 - 3		23 - 7	29116-94400	9 - 19
19136-95510	19 - 4	23311-95DL0	20 - 10		10 - 19
19522-94400	19 - 8		21 - 10		11 - 19
19654-94421	19 - 5		22 - 10		12 - 19
19811-94400	19 - 9		23 - 10	29117-93J10	9 - 21
19815-94400	19 - 10	25111-92L00	20 - 2		10 - 21
19851-94401	19 - 6		21 - 2		11 - 21
19861-96301	19 - 7		23 - 2		12 - 21
		25111-92L10	20 - 2	29118-93J00	55 - 5
			22 - 2		56 - 5
		25111-92L20	20 - 2		57 - 5
			22 - 2		58 - 5
		25211-87J00	20 - 3	29125-93J00	81 - 17
20000					
21110-94401	20 - 13		21 - 3	29125-93J10	47 - 31
	21 - 13		22 - 3		48 - 31
	22 - 13		23 - 3		49 - 32
	23 - 13	25212-94401	20 - 4		50 - 32
21121-93300	20 - 22		21 - 4		51 - 7

DT40W P40 012

PART NO.	FIG. NO. -REF. NO.	PART NO.	FIG. NO. -REF. NO.	PART NO.	FIG. NO. -REF. NO.
29125-93J10	52 - 7 53 - 7 54 - 7 55 - 18 56 - 18	29440-93J00	85 - 29 51 - 29 52 - 29 53 - 32 54 - 32	31911-92L00	5 - 4 7 - 4 8 - 4
29141-93J00	57 - 18 58 - 18 14 - 4 15 - 4 16 - 4	3 0 0 0 0		31912-92L00	28 - 14 29 - 14
	17 - 4 20 - 11 21 - 11 22 - 11 23 - 11	31100-94401	28 - 1 29 - 1 30 - 1	31918-94401	30 - 14 28 - 15 29 - 15 30 - 15
	68 - 5 69 - 5 86 - 8 87 - 8 88 - 8	31101-94402-0EP	74 - 1 75 - 1	32101-94413	31 - 1
	89 - 8 47 - 23 48 - 23 49 - 24 50 - 24	31131-96300	28 - 7 29 - 7 30 - 7	32102-94441	32 - 1 33 - 1 34 - 1
29141-93J20		31132-96300	28 - 8 29 - 8	32102-94451	31 - 16 33 - 16 34 - 16
29162-93J00	14 - 5 15 - 5 16 - 5 17 - 5	31135-89J00	30 - 8 28 - 9 29 - 9 30 - 9	32120-94400	31 - 2 32 - 2 33 - 2 34 - 2
29162-93J10	47 - 18	31173-89J00	28 - 6	32140-94400	31 - 5
	48 - 18 49 - 18 50 - 18 13 - 14 35 - 3	31281-93340	29 - 6 30 - 6 28 - 10 29 - 10 30 - 10	32150-94410	32 - 5 33 - 5 34 - 5 31 - 6 32 - 6
29404-93J10		31310-96300	28 - 2 29 - 2 30 - 2	32500-95722	33 - 6 34 - 6 81 - 3 82 - 3 83 - 3
	36 - 3 37 - 3 38 - 3 39 - 11 40 - 1	31312-96300	28 - 4 29 - 4	32800-95D01	39 - 1 41 - 1 42 - 1 79 - 9 80 - 9
	43 - 5 81 - 6 84 - 47 85 - 47	31320-94400	30 - 4 28 - 3 29 - 3 30 - 3	32801-94402	79 - 8 80 - 8
29404-93J20	84 - 29	31360-96300	28 - 5	32890-94401	35 - 13 37 - 13 38 - 13
		31800-94401	29 - 5 30 - 5 35 - 21 37 - 21 38 - 21		

PART NO.	FIG. NO. -REF. NO.	PART NO.	FIG. NO. -REF. NO.	PART NO.	FIG. NO. -REF. NO.
32891-94401	35 - 19 37 - 19 38 - 19	34100-93J20	85 - 32 76 - 5 77 - 5	34600-93J00	78 - 3 76 - 1 77 - 1
32900-94470	35 - 1 36 - 1	34100-93J31	78 - 5 76 - 5	34600-93J11	78 - 1 76 - 1
32916-94400	37 - 1 38 - 1 35 - 27 36 - 16 37 - 27	34100-93J40	77 - 5 78 - 5 76 - 5 77 - 5 78 - 5	34850-94610 34853-94700 34860-94402	77 - 1 78 - 1 81 - 15 81 - 16 84 - 33
32919-94400	38 - 27 35 - 24 36 - 13 37 - 24 38 - 24	34100-93J51 34190-87D00	76 - 5 77 - 5 78 - 5 76 - 12 77 - 12	36360-94400 36367-95D10-064	85 - 33 84 - 34 85 - 34 84 - 35 85 - 35
32950-94420	35 - 8 36 - 8 37 - 8 38 - 8	34190-95500	78 - 12 76 - 10 77 - 10 78 - 10	36610-94411 36612-94421	45 - 1 46 - 1 45 - 2 46 - 2
33410-94400	35 - 25	34191-92E00	76 - 7	36615-96300	76 - 9
33510-95520	36 - 14 37 - 25 38 - 25 35 - 6 36 - 6	34200-93J20	77 - 7 78 - 7 76 - 13 77 - 13 78 - 13		76 - 15 77 - 9 77 - 15 78 - 9 78 - 15
33800-94433	37 - 6 38 - 6 74 - 2 75 - 2	34200-93J31 34300-93J00	76 - 13 77 - 13 78 - 13 76 - 16 77 - 16	36620-87D20 36620-92E00	81 - 1 82 - 1 83 - 1 81 - 7 82 - 6
33810-94411	39 - 6				
33811-94400	41 - 6 42 - 6 60 - 25 62 - 25 63 - 25	34300-93J11 34310-92E00	78 - 16 76 - 16 77 - 16 78 - 16 76 - 17	36620-92E20 36620-95302	83 - 6 70 - 2 71 - 2 81 - 1 82 - 1
33816-96300	39 - 9 84 - 31 85 - 31	34360-92E00	77 - 17 78 - 17 76 - 18 77 - 18 78 - 18	36628-92E00 36630-92E00	83 - 1 70 - 3 71 - 3 81 - 14 82 - 8
33833-91J00	35 - 4 36 - 4				
	37 - 4 38 - 4 43 - 12 44 - 5 84 - 32	34500-93J00 34500-93J11	76 - 3 77 - 3 78 - 3 76 - 3 77 - 3	36631-94300 36634-93910	83 - 8 81 - 2 82 - 2 83 - 2 79 - 4

DT40W P40 012

PART NO.	FIG. NO. -REF. NO.	PART NO.	FIG. NO. -REF. NO.	PART NO.	FIG. NO. -REF. NO.
36634-93910	80 - 4		80 - 12		85 - 38
36740-93901	39 - 4	37141-99EA0	43 - 2	37141-99E70	43 - 2
	41 - 4		70 - 5		70 - 5
	42 - 4		71 - 5		71 - 5
	74 - 4		84 - 38		84 - 38
	75 - 4		85 - 38		85 - 38
36740-95253	79 - 10	37141-99EB0	43 - 2	37141-99E80	43 - 2
	80 - 10		70 - 5		70 - 5
36791-94504	41 - 10		71 - 5		71 - 5
	42 - 10		84 - 38		84 - 38
36893-94410	84 - 36		85 - 38		85 - 38
	85 - 36	37141-99E00	43 - 2	37141-99E90	43 - 2
36894-94401	51 - 2		70 - 5		70 - 5
	52 - 2		71 - 5		71 - 5
	53 - 2		84 - 38		84 - 38
	54 - 2		85 - 38		85 - 38
	55 - 17	37141-99E10	43 - 2	37143-99E00	43 - 3
	56 - 17		70 - 5		70 - 6
	57 - 17		71 - 5		71 - 6
	58 - 17		84 - 38		84 - 39
36894-95201	47 - 30		85 - 38		85 - 39
	48 - 30	37141-99E20	43 - 2	37149-93J00	43 - 4
	49 - 31		70 - 5		70 - 7
	50 - 31		71 - 5		71 - 7
	55 - 2		84 - 38		84 - 40
	56 - 2		85 - 38		85 - 40
	57 - 2	37141-99E30	43 - 2	37210-93J00	81 - 18
	58 - 2		70 - 5		82 - 9
36895-94400	39 - 19		71 - 5		83 - 9
	40 - 4		84 - 38	37212-93J00	81 - 19
	41 - 17		85 - 38		82 - 10
	42 - 17	37141-99E40	43 - 2		83 - 10
36899-94430	39 - 13		70 - 5	37721-94404	39 - 15
	40 - 3		71 - 5		41 - 13
36990-87D00	79 - 16		84 - 38		42 - 13
	80 - 16		85 - 38		70 - 8
	81 - 8	37141-99E50	43 - 2	37721-94600	71 - 8
	82 - 7		70 - 5		39 - 16
	83 - 7		71 - 5	37725-94302	41 - 14
37110-94470	43 - 1		84 - 38		42 - 14
	84 - 37		85 - 38		39 - 17
	85 - 37	37141-99E60	43 - 2	37726-94402	41 - 15
37110-99E00	70 - 4		70 - 5		42 - 15
	71 - 4		71 - 5	37820-92E03	70 - 9
37132-93700	79 - 12		84 - 38		71 - 9

PART NO.	FIG. NO. -REF. NO.	PART NO.	FIG. NO. -REF. NO.	PART NO.	FIG. NO. -REF. NO.
37820-92E03	84 - 41	41111-92L10-0EP	47 - 1		50 - 28
	85 - 41		48 - 1	41225-94502	51 - 12
37823-92E01	43 - 8		49 - 1		52 - 12
	44 - 2		50 - 1		53 - 12
	70 - 10	41121-92L10-0EP	47 - 2		54 - 12
	71 - 10		48 - 2	41310-94400	47 - 14
	84 - 42		49 - 2		48 - 14
37826-92E00	85 - 42		50 - 2		49 - 14
	43 - 9	41130-94422	47 - 9		50 - 14
	44 - 3		48 - 9	43111-92L00-0EP	51 - 3
	70 - 11		49 - 9		52 - 3
	71 - 11		50 - 9		53 - 3
	84 - 43	41141-94301	47 - 32		54 - 3
	85 - 43		48 - 32	43211-87JL0	51 - 4
37830-92L00	43 - 7		49 - 33		52 - 4
	44 - 1		50 - 33		53 - 4
37835-95D00	43 - 13	41151-94500	47 - 7		54 - 4
	44 - 6		48 - 7	43411-97E00	51 - 25
37859-90J00	70 - 53		49 - 7		52 - 25
	71 - 53		50 - 7		53 - 28
38500-92X50	70 - 13	41153-96300	47 - 11		54 - 28
	71 - 13		48 - 11	43412-93900	51 - 26
38501-95500	81 - 9		49 - 11		52 - 26
38600-94400	45 - 4		50 - 11		53 - 29
	46 - 4	41161-94400	49 - 21		54 - 29
	81 - 11		50 - 21	43711-97E00	51 - 5
39600-93910	79 - 1	41200-94400	47 - 20		52 - 5
	80 - 1		48 - 20		53 - 5
39601-95D00	79 - 3		49 - 20		54 - 5
	80 - 3		50 - 20	43750-92L00-0EP	51 - 6
39602-93900	79 - 5	41211-94302	47 - 5		52 - 6
	80 - 5		48 - 5		53 - 6
39603-94400	79 - 6		49 - 5		54 - 6
	80 - 6		50 - 5	43755-97E01	53 - 25
39669-94400	60 - 28	41212-91L00-0EP	47 - 3		54 - 25
	60 - 28		48 - 3	45231-92L00	51 - 13
	61 - 26		49 - 3		52 - 13
	62 - 28		50 - 3		53 - 13
	63 - 28	41213-98100	47 - 6		54 - 13
			48 - 6	45241-94400	51 - 14
			49 - 6		52 - 14
			50 - 6		53 - 14
		41225-94400	47 - 27		54 - 14
			48 - 27	45250-94400	51 - 15
			49 - 28		52 - 15
40000					

DT40W P40 012

PART NO.	FIG. NO. -REF. NO.	PART NO.	FIG. NO. -REF. NO.	PART NO.	FIG. NO. -REF. NO.
45250-94400	53 - 15	52110-92L20-0EP	55 - 6	54221-92L00-0EP	55 - 10
	54 - 15		57 - 6		56 - 10
45255-93001	51 - 16	54121-94401	9 - 7		57 - 10
	52 - 16		10 - 7		58 - 10
	53 - 16		11 - 7	55100-92L00-0EP	59 - 1
45255-95500	54 - 16	54125-94400	12 - 7	55122-88L00	59 - 8
	51 - 35		9 - 8	55125-95500	59 - 9
	52 - 30		10 - 8	55181-95200	59 - 25
	52 - 43		11 - 8	55300-95500	59 - 24
	53 - 38		12 - 8	55320-95311	47 - 28
45261-94400	54 - 33	54130-94411	9 - 12		48 - 28
	54 - 46		10 - 12		49 - 29
	51 - 17		11 - 12		50 - 29
	52 - 17		12 - 12	56120-92L00-0EP	24 - 27
	53 - 17	54137-92L00	9 - 9		25 - 26
45331-94610	54 - 17		10 - 9		26 - 27
	51 - 39		11 - 9		27 - 26
	52 - 47		12 - 9	56130-92L00-0EP	14 - 12
	53 - 42	54146-94400	9 - 10		15 - 12
	54 - 50		10 - 10		16 - 12
45420-94311	47 - 12		11 - 10		17 - 12
	48 - 12		12 - 10	57110-94401	24 - 1
	49 - 12	54151-99E00	55 - 8		26 - 1
	50 - 12		56 - 8	57110-94411	24 - 1
45700-92L00	51 - 30		57 - 8		25 - 1
	52 - 38		58 - 8		27 - 1
	53 - 33	54160-94410	55 - 12	57110-94441	24 - 1
	54 - 41		55 - 12		26 - 1
45713-92L00	51 - 31		56 - 12	57130-94301	24 - 2
	52 - 31		57 - 12		26 - 2
	52 - 39		58 - 12	57133-94400	24 - 10
	53 - 34	54160-94421	55 - 12		25 - 9
	54 - 34		57 - 12		26 - 10
	54 - 42	54165-94400	55 - 13		27 - 9
			56 - 13	57311-94402	24 - 11
			57 - 13		25 - 10
			58 - 13		26 - 11
		54166-94431	55 - 19		27 - 10
			56 - 19	57510-94402	24 - 14
			57 - 19		25 - 13
52110-92L00-0EP	55 - 6		58 - 19		26 - 14
	56 - 6	54211-92L00-0EP	55 - 9		27 - 13
	58 - 6		56 - 9	57521-94401	24 - 24
52110-92L10-0EP	55 - 6		57 - 9		25 - 23
	57 - 6		58 - 9		26 - 24

PART NO.	FIG. NO. -REF. NO.	PART NO.	FIG. NO. -REF. NO.	PART NO.	FIG. NO. -REF. NO.
57521-94401	27 - 23		62 - 3		85 - 4
57610-94402	24 - 22		63 - 3	63117-97E01	65 - 5
	25 - 21	61131-92L00-RB4	60 - 4		66 - 5
	26 - 22		61 - 4		84 - 5
	27 - 21		62 - 4		85 - 5
57621-87J02	24 - 18		63 - 4	63125-97E01	65 - 6
	25 - 17	61138-94410	60 - 23		66 - 6
	26 - 18		61 - 23		84 - 6
	27 - 17		62 - 23		85 - 6
57630-94300	59 - 17		63 - 23	63126-97E01	65 - 7
57631-95303	24 - 16	61155-94400	60 - 22		66 - 7
	25 - 15		61 - 22		84 - 7
	26 - 16		62 - 22		85 - 7
	27 - 15		63 - 22	63128-97E00	65 - 8
57632-92L00	59 - 16	61400-92L00-0EP	64 - 1		66 - 8
57633-94300	59 - 18	61431-92L00-0EP	64 - 2		84 - 9
57634-88L00	24 - 17	61435-944A1	64 - 5		85 - 9
	25 - 16	61441-96321	64 - 7	63131-92L00-0EP	65 - 9
	26 - 17	61581-98620	64 - 8		66 - 9
	27 - 16	61610-93901	60 - 15	63131-97E03-0EP	84 - 10
58100-88L12-019	59 - 22		61 - 15		85 - 10
58100-88L22-019	59 - 22		62 - 15	63210-93E30	65 - 10
58100-88L31-019	59 - 22		63 - 15		66 - 10
58100-88L41-019	59 - 22	61616-93EL0	60 - 16		84 - 11
58100-88L51-019	59 - 22		61 - 16		85 - 11
58100-88L61-019	59 - 22		62 - 16	63215-93401	65 - 32
58120-88L00	59 - 23		63 - 16		66 - 32
59800-90L00	64 - 10	61622-95500	64 - 3	63220-96302	84 - 12
		61642-93902	60 - 17		85 - 12
			61 - 17	63220-96320	65 - 11
			62 - 17		66 - 11
			63 - 17	63223-92D00	65 - 12
		63001-97E07-0EP	84 - 1		66 - 12
			85 - 1		84 - 13
		63111-92L00-0EP	65 - 2		85 - 13
60000					
61111-92L00-0EP	60 - 1		66 - 2	63225-93200	65 - 13
	61 - 1	63111-97E05-0EP	84 - 2		66 - 13
	62 - 1		85 - 2		84 - 14
	63 - 1	63115-97E00	65 - 3		85 - 14
61112-94412	60 - 2		66 - 3	63225-94J00	65 - 18
	61 - 2		84 - 3		66 - 18
	62 - 2		85 - 3	63227-93200	84 - 15
	63 - 2	63116-97E00	65 - 4		85 - 15
61113-94400	60 - 3		66 - 4	63240-94J00	65 - 15
	61 - 3		84 - 4		66 - 15

DT40W P40 012

PART NO.	FIG. NO. -REF. NO.	PART NO.	FIG. NO. -REF. NO.	PART NO.	FIG. NO. -REF. NO.
63240-97E20	84 - 16	67212-95600	70 - 14		71 - 39
	85 - 16		71 - 14	67275-95600	70 - 40
63241-92D00	84 - 17	67213-92E00	70 - 15		71 - 40
	85 - 17		71 - 15	67288-92E00	70 - 41
63241-98601	65 - 16	67220-95620	70 - 18		71 - 41
	66 - 16		71 - 18	67292-94300	70 - 42
63244-94J00	65 - 17	67223-99E10	70 - 19		71 - 42
	66 - 17		71 - 19	67294-95600	70 - 43
63610-94402	65 - 20	67229-95600	70 - 20		71 - 43
	66 - 20		71 - 20		86 - 15
	84 - 18	67232-95600	70 - 21		87 - 15
63625-94300	85 - 18		71 - 21		88 - 10
	62 - 29	67238-87D00	70 - 22		89 - 10
	63 - 29		71 - 22	67296-90J00	70 - 44
63625-96300	65 - 21	67241-99E10	70 - 23		71 - 44
	66 - 21		71 - 23	67296-92E10	70 - 17
	84 - 19	67243-95600	70 - 24		71 - 17
	85 - 19		71 - 24	67296-94300	70 - 45
63627-94400	65 - 22	67244-95600	70 - 25		71 - 45
	66 - 22		71 - 25	67296-94310	70 - 36
	84 - 20	67245-95600	70 - 26		71 - 36
	85 - 20		71 - 26	67296-95600	70 - 46
65000-95D01	67 - 1	67251-99E10	70 - 27		71 - 46
65520-95D00	67 - 2		71 - 27	67296-95610	70 - 47
65561-95D00	67 - 3	67252-95600	70 - 28		71 - 47
	67 - 8		71 - 28	67296-95620	86 - 16
65700-87D19	67 - 13	67253-95600	70 - 29		87 - 16
65720-98520	67 - 4		71 - 29		88 - 11
65740-95D01	67 - 9	67255-99E00	70 - 30		89 - 11
65750-95500	67 - 10		71 - 30	67297-95600	70 - 48
65750-98505					
	67 - 11	67256-95600	70 - 31		71 - 48
65770-95541	67 - 12		71 - 31	67320-93J00	86 - 17
65781-98500	67 - 5	67257-99E00	70 - 32		87 - 17
65831-95D00	67 - 6		71 - 32		88 - 12
65890-95D00	67 - 7	67258-99E00	70 - 33		89 - 12
65892-95D00					
	86 - 1		71 - 33	67320-93J10	86 - 17
67130-94812	87 - 1	67259-87D00	70 - 34		87 - 17
	88 - 1		71 - 34		88 - 12
	89 - 1	67261-99E00	70 - 35		89 - 12
67140-95600	86 - 14		71 - 35	67320-93J20	86 - 17
	87 - 14	67264-95600	70 - 37		87 - 17
	88 - 9		71 - 37		88 - 12
	89 - 9	67267-95610	70 - 38		89 - 12
67200-97E42	70 - 1		71 - 38	67320-93J30	86 - 17
	71 - 1	67273-95600	70 - 39		87 - 17

PART NO.	FIG. NO. -REF. NO.	PART NO.	FIG. NO. -REF. NO.	PART NO.	FIG. NO. -REF. NO.
67320-93J30	88 - 12 89 - 12	67701-94430	89 - 6 72 - 1 73 - 1 86 - 9 87 - 9	01411-0820A	3 - 5 18 - 10 35 - 2 35 - 9 35 - 18
67320-93J40	86 - 17 87 - 17 88 - 12	67721-94310	72 - 2 73 - 2 86 - 10 87 - 10		36 - 2 36 - 9 37 - 2 37 - 9 37 - 18
67320-93J50	89 - 12 86 - 17 87 - 17 88 - 12 89 - 12	67725-99E10	72 - 3		
67320-93J60	86 - 17 87 - 17 88 - 12 89 - 12	67726-99E00	73 - 3 86 - 11 87 - 11 72 - 4 73 - 4		38 - 2 38 - 9 38 - 18 43 - 10 44 - 4
67320-93J70	86 - 17				
67320-93J80	87 - 17 88 - 12 89 - 12 86 - 17 87 - 17	67728-99E00	86 - 12 87 - 12 72 - 5 73 - 5 86 - 13	01550-06207	35 - 26 36 - 15 37 - 26 38 - 26 3 - 1
67331-94400	88 - 12 89 - 12 68 - 1 69 - 1 86 - 2	68110-94400 68111-99J00 68165-16B00-13L	87 - 13 64 - 11 64 - 9 70 - 12 71 - 12	01550-06407 01550-08257	3 - 11 1 - 13 5 - 5 7 - 5 8 - 5
67341-94400	87 - 2 88 - 2 89 - 2 68 - 6 69 - 6	69711-93E10 69712-93E10	18 - 20 18 - 21	01550-08357 01550-10557 01560-08757 01560-10657	1 - 8 18 - 18 1 - 11 1 - 5 1 - 12
67466-95200	86 - 3 87 - 3 88 - 3 89 - 3 68 - 2	90000		01570-06407 01580-06167 01580-06207	13 - 15 39 - 18 41 - 16 42 - 16 18 - 11
67467-94404	69 - 2 86 - 5 87 - 5 88 - 5 89 - 5	99000-81159-50M 99011-92L00-063	18 - 22 64 - 12	01580-08257	28 - 11 28 - 16 29 - 11 29 - 16 30 - 11
	68 - 3 69 - 3 86 - 6 87 - 6 88 - 6	00000		02112-0406A	30 - 16 31 - 14 32 - 14 33 - 14 34 - 14

DT40W P40 012

PART NO.	FIG. NO. -REF. NO.	PART NO.	FIG. NO. -REF. NO.	PART NO.	FIG. NO. -REF. NO.
02112-04087	31 - 12 32 - 12 33 - 12 34 - 12		20 - 8 21 - 8 22 - 8 23 - 8	08310-00067	28 - 12 29 - 12 30 - 12 35 - 22
02112-05087	81 - 10		81 - 4		37 - 22
02112-05107	31 - 7 31 - 10 32 - 7 32 - 10 33 - 7	02162-06167	82 - 4 83 - 4 39 - 14 41 - 9 42 - 9		38 - 22 60 - 21 61 - 21 62 - 21 63 - 21
	33 - 10 34 - 7 34 - 10 81 - 12	02162-06257 03112-06303	18 - 19 76 - 11 77 - 11 78 - 11	08316-10087 08321-01047	3 - 2 13 - 16 31 - 13 31 - 15 32 - 13
02112-05167	4 - 14	03142-04309	59 - 5		
02112-06257	31 - 3 32 - 3 33 - 3 34 - 3	03212-0512B 03222-0520B	35 - 20 37 - 20 38 - 20 3 - 22		32 - 15 33 - 13 33 - 15 34 - 13
02112-3306A	3 - 9	03241-0625A	39 - 10		34 - 15
02112-35127	45 - 5 46 - 5		84 - 49 85 - 49	08321-0105A	4 - 15 31 - 9 31 - 11 32 - 9 32 - 11
02122-06167	3 - 10	03542-06169	64 - 4		
02142-05257	39 - 2 41 - 2	04211-09109 08211-20263	1 - 10 24 - 15		
	42 - 2 79 - 13 80 - 13		25 - 14 26 - 15 27 - 14		33 - 9 33 - 11 34 - 9
02142-05307	19 - 15	08211-35451	24 - 25 25 - 24		34 - 11 79 - 15
02142-06127	39 - 8				
	39 - 12 39 - 20 40 - 2 40 - 5 43 - 6	08221-35455	26 - 25 27 - 24 24 - 25 25 - 24 26 - 25 26 - 25	08321-01067	80 - 15 81 - 13 28 - 13 29 - 13 30 - 13
	84 - 48 85 - 48	08221-35456	27 - 24 24 - 25 25 - 24 26 - 25 27 - 24		31 - 4 32 - 4 33 - 4 34 - 4 35 - 23
02142-06167	41 - 8 42 - 8				
02162-05167	20 - 17				
	21 - 17 22 - 17 23 - 17	08310-00057	39 - 3 41 - 3 42 - 3 79 - 14 80 - 14		37 - 23 38 - 23 81 - 5 82 - 5 83 - 5
02162-06127	19 - 14 19 - 16				

PART NO.	FIG. NO. -REF. NO.	PART NO.	FIG. NO. -REF. NO.	PART NO.	FIG. NO. -REF. NO.
08322-01057	31 - 8 32 - 8 33 - 8 34 - 8	09108-06061	15 - 6 16 - 6 17 - 6 14 - 7 15 - 7	09117-08037 09117-08071	54 - 44 59 - 10 47 - 8 48 - 8 49 - 8
08322-01067	41 - 11				
08331-3115A	42 - 11 20 - 18 21 - 18 22 - 18 23 - 18	09108-10137	16 - 7 17 - 7 65 - 1 66 - 1 84 - 8	09117-08104	50 - 8 55 - 11 56 - 11 57 - 11 58 - 11
08341-31059	31 - 18 32 - 18 33 - 18 34 - 18	09111-10032	85 - 8 47 - 21 48 - 21 49 - 22	09118-08098	55 - 3 56 - 3 57 - 3 58 - 3
09100-06121	60 - 5		50 - 22	09118-08109	55 - 4
09100-08232	61 - 5 62 - 5 63 - 5 70 - 49 71 - 49	09111-10033	52 - 32 54 - 35 47 - 22 48 - 22 49 - 23	09119-06047	56 - 4 57 - 4 58 - 4 68 - 4 69 - 4
09100-08239	47 - 15 48 - 15 49 - 15 50 - 15	09111-10045	50 - 23 51 - 32 52 - 40 53 - 35 54 - 43	09125-05042	86 - 7 87 - 7 88 - 7 89 - 7 70 - 16
09100-10155	65 - 23				
09100-10217	66 - 23 84 - 21 85 - 21 9 - 13 10 - 13	09116-06094	47 - 29 48 - 29 49 - 30 50 - 30 68 - 7	09125-05046 09125-05129	71 - 16 59 - 7 84 - 22 85 - 22 60 - 6
09100-10311	11 - 13 12 - 13 53 - 26 54 - 26		69 - 7 86 - 4 87 - 4 88 - 4 89 - 4	09125-06089 09126-05003	61 - 6 62 - 6 63 - 6 3 - 21 70 - 50
09103-06048	19 - 11				
09103-06049	35 - 14 37 - 14 38 - 14	09116-08122	24 - 31 25 - 30 26 - 31 27 - 30	09126-06005 09126-06015	71 - 50 1 - 20 65 - 25 66 - 25 84 - 23
09103-06093	60 - 20 61 - 20	09116-08131	59 - 13		
09103-06182	62 - 20 63 - 20 1 - 6	09117-06030	51 - 33 52 - 33 52 - 41 53 - 36 54 - 36	09126-06022	85 - 23 5 - 3 6 - 3 7 - 3 8 - 3
09103-06183	1 - 14				
09108-06060	14 - 6				

DT40W P40 012

PART NO.	FIG. NO. -REF. NO.	PART NO.	FIG. NO. -REF. NO.	PART NO.	FIG. NO. -REF. NO.
09136-05041	65 - 24		85 - 24		54 - 18
	66 - 24	09159-12014	55 - 15	09160-10080	54 - 31
09136-06145	60 - 13		56 - 15		9 - 20
	61 - 13		57 - 15		10 - 20
	62 - 13		58 - 15		11 - 20
09138-05011	63 - 13	09159-22006	47 - 19	09160-10082	12 - 20
	31 - 17		48 - 19		9 - 15
	32 - 17		49 - 19		10 - 15
	33 - 17	09160-05029	50 - 19		11 - 15
	34 - 17		51 - 36		12 - 15
09140-04007	4 - 23		52 - 34		47 - 25
09140-05005	19 - 12		52 - 44		48 - 25
09140-06020	70 - 51		53 - 39		49 - 26
	71 - 51		54 - 37		50 - 26
09140-08023-XC0	47 - 16		54 - 47		65 - 27
	48 - 16		60 - 8		66 - 27
	49 - 16		61 - 8		84 - 25
	50 - 16		62 - 8		85 - 25
09140-10032	67 - 14	09160-06066	63 - 8	09160-10148	9 - 14
09140-12034	24 - 12		3 - 19		10 - 14
	25 - 11	09160-06084	19 - 13		11 - 14
	26 - 12		35 - 10		12 - 14
	27 - 11		35 - 15	09160-12007	35 - 11
09140-18014	31 - 21		36 - 10		35 - 16
	32 - 21		37 - 10		36 - 11
	33 - 21		37 - 15		37 - 11
	34 - 21		38 - 10		37 - 16
09141-18005	59 - 20	09160-06104	38 - 15		38 - 11
09148-06008	65 - 19		60 - 10	09160-12066	38 - 16
	66 - 19		61 - 10		55 - 16
09148-06017	60 - 9		62 - 10		56 - 16
	61 - 9		63 - 10		57 - 16
	62 - 9		70 - 52		58 - 16
	63 - 9	09160-08054	71 - 52	09160-12067	84 - 44
09159-05042	60 - 7		18 - 17		85 - 44
	61 - 7	09160-08081	47 - 17	09160-12108	55 - 20
	62 - 7		48 - 17		56 - 20
	63 - 7		49 - 17		57 - 20
09159-10050	9 - 16		50 - 17		58 - 20
	10 - 16	09160-08091	51 - 18	09160-13018	55 - 14
	11 - 16		51 - 28		56 - 14
	12 - 16		52 - 18		57 - 14
	65 - 26		52 - 28		58 - 14
	66 - 26		53 - 18	09160-18011	31 - 19
	84 - 24		53 - 31		32 - 19

PART NO.	FIG. NO. -REF. NO.	PART NO.	FIG. NO. -REF. NO.	PART NO.	FIG. NO. -REF. NO.
09160-18011	33 - 19 34 - 19		53 - 8 54 - 8		24 - 13 25 - 3
09160-18028	59 - 19	09161-04012	60 - 18		25 - 12
09160-22018	24 - 23 25 - 22		61 - 18 62 - 18		26 - 4 26 - 13
	26 - 23 27 - 22	09162-10005	63 - 18 47 - 24	09181-30188	27 - 3 27 - 12
09160-22019	24 - 23 25 - 22 26 - 23		48 - 24 49 - 25 50 - 25		24 - 4 24 - 13 25 - 3
	27 - 22		53 - 27		25 - 12
09160-22020	24 - 23 25 - 22 26 - 23 27 - 22		54 - 27 65 - 28 66 - 28 84 - 26		26 - 4 26 - 13 27 - 3 27 - 12
09160-22021	24 - 23 25 - 22 26 - 23 27 - 22	09163-06001	85 - 26 65 - 29 66 - 29 84 - 27 85 - 27	09181-30190	24 - 4 24 - 13 25 - 3 25 - 12 26 - 4
09160-22022	24 - 23				
	25 - 22 26 - 23 27 - 22	09164-18001	31 - 20 32 - 20 33 - 20 34 - 20		26 - 13 27 - 3 27 - 12
09160-22023	24 - 23 25 - 22	09166-25006	24 - 9	09181-30192	24 - 4 24 - 13
	26 - 23 27 - 22		25 - 8 26 - 9 27 - 8		25 - 3 25 - 12 26 - 4
09160-22033	47 - 10 48 - 10 49 - 10	09168-10022 09169-20006	59 - 12 2 - 6		26 - 13 27 - 3
	50 - 10	09180-06254 09180-06295	3 - 20 60 - 11 61 - 11 62 - 11 63 - 11	09181-35131	27 - 12 24 - 25 25 - 24 26 - 25 27 - 24
09160-24020	24 - 8 25 - 7 26 - 8 27 - 7				
09160-25069	43 - 11 84 - 45 85 - 45	09180-08169 09181-30186	18 - 15 24 - 4 24 - 13 25 - 3 25 - 12	09181-35132	24 - 25 25 - 24 26 - 25 27 - 24
09160-26015	24 - 5 25 - 4			09181-35136	24 - 25
	26 - 5 27 - 4		26 - 4 26 - 13 27 - 3		25 - 24 26 - 25 27 - 24
09160-27008	2 - 10		27 - 12	09181-39001	51 - 9 52 - 9
09160-39001	51 - 8 52 - 8	09181-30187	24 - 4		

DT40W P40 012

PART NO.	FIG. NO. -REF. NO.	PART NO.	FIG. NO. -REF. NO.	PART NO.	FIG. NO. -REF. NO.
09181-39001	53 - 9		22 - 6	09263-22020	24 - 29
	54 - 9		23 - 6		25 - 28
09200-05015	51 - 19	09205-03019	24 - 3		26 - 29
	52 - 19		25 - 2		27 - 28
	53 - 19		26 - 3	09263-22039	59 - 2
09200-08043	54 - 19	09205-03021	27 - 2	09263-25025	14 - 14
	51 - 20		20 - 5		15 - 14
	52 - 20		21 - 5		16 - 14
	53 - 20		22 - 5		17 - 14
	54 - 20		23 - 5	09263-25062	24 - 6
09202-05022	24 - 19	09205-03038	65 - 14		25 - 5
	25 - 18		66 - 14		26 - 6
	26 - 19	09205-06007	47 - 4		27 - 5
	27 - 18		48 - 4	09263-27005	2 - 9
09202-06025	59 - 15		49 - 4	09264-35005	2 - 18
09202-06027	59 - 14		50 - 4	09265-30004	59 - 3
09202-06031	55 - 1	09205-06011	1 - 15	09280-08005	20 - 20
	56 - 1	09205-08002	51 - 38		21 - 20
	57 - 1		52 - 36		22 - 20
	58 - 1		52 - 46		23 - 20
09202-07001	9 - 11		53 - 41	09280-11001	20 - 24
	10 - 11		54 - 39		21 - 24
	11 - 11		54 - 49		22 - 24
	12 - 11	09248-10008	59 - 11		23 - 24
09204-01002	51 - 21	09250-09001	41 - 12	09280-50008	9 - 17
	51 - 37		42 - 12		10 - 17
	52 - 21	09250-12006	60 - 27		11 - 17
	52 - 35		61 - 25		12 - 17
	52 - 45		62 - 27	09280-63001	3 - 15
	53 - 21		63 - 27	09280-75001	24 - 26
	53 - 40	09250-16008	62 - 30		25 - 25
	54 - 21		63 - 30		26 - 26
	54 - 38	09250-33001	60 - 29		27 - 25
	54 - 48		61 - 27	09282-17005	14 - 13
	65 - 31	09260-10005	20 - 14		15 - 13
	66 - 31		21 - 14		16 - 13
	84 - 28		22 - 14		17 - 13
09204-03003	85 - 28		23 - 14	09282-17009	9 - 18
09205-02004	59 - 21	09262-30068	2 - 16		10 - 18
	20 - 23	09262-35052	2 - 17		11 - 18
	21 - 23	09262-35070	24 - 28		12 - 18
	22 - 23		25 - 27	09282-39001	51 - 10
	23 - 23		26 - 28		52 - 10
09205-02013	20 - 6		27 - 27		53 - 10
	21 - 6	09263-20072	2 - 5		54 - 10

PART NO.	FIG. NO. -REF. NO.	PART NO.	FIG. NO. -REF. NO.	PART NO.	FIG. NO. -REF. NO.
09283-30062	2 - 20	09403-10312	31 - 22	09440-40002	24 - 20
09283-35043	2 - 21		32 - 22		25 - 19
09289-22007	24 - 30		33 - 22		26 - 20
	25 - 29		34 - 22		27 - 19
	26 - 30	09403-14204	39 - 7	09441-17002	47 - 13
	27 - 29		41 - 7		48 - 13
09289-45001	2 - 19		42 - 7		49 - 13
09306-22006	51 - 22	09407-10403	79 - 7		50 - 13
	52 - 22		80 - 7	09443-12039	51 - 34
	53 - 22	09407-10404	35 - 5		52 - 37
	54 - 22		36 - 5		52 - 42
09320-04009	4 - 22		37 - 5		53 - 37
09320-10035	60 - 12		38 - 5		54 - 40
	61 - 12	09407-12402	45 - 3		54 - 45
	62 - 12		46 - 3	09443-15031	51 - 23
	63 - 12		70 - 54		52 - 23
09320-11004	84 - 46		71 - 54		53 - 23
	85 - 46	09407-14407	76 - 8		54 - 23
09320-12011	35 - 12		77 - 8	09448-29009	47 - 26
	35 - 17		78 - 8		48 - 26
	36 - 12	09407-25402	60 - 26		49 - 27
	37 - 12		62 - 26		50 - 27
	37 - 17		63 - 26	09448-29018	51 - 24
	38 - 12		79 - 2		52 - 24
	38 - 17		80 - 2		53 - 24
09320-12059	18 - 16	09420-04006	14 - 8		54 - 24
09352-50903-600	13 - 10		15 - 8	09471-12028	76 - 6
	13 - 11		16 - 8		76 - 14
	13 - 12		17 - 8		77 - 6
	60 - 24	09440-07078	20 - 15		77 - 14
	61 - 24		21 - 15		78 - 6
	62 - 24		22 - 15		78 - 14
09380-38003	63 - 24	09440-08043	23 - 15	09471-12103	76 - 2
	51 - 11		24 - 21		76 - 4
	52 - 11		25 - 20		76 - 19
	53 - 11		26 - 21		77 - 2
	54 - 11		27 - 20		77 - 4
09381-20003	2 - 4	09440-12027	65 - 30		77 - 19
09385-04003	60 - 19		66 - 30		78 - 2
	61 - 19		84 - 30		78 - 4
	62 - 19		85 - 30		78 - 19
	63 - 19	09440-30005	24 - 7	09481-20001	39 - 5
09390-72008	2 - 22		25 - 6		41 - 5
09390-80002	2 - 23		26 - 7		42 - 5
09401-08413	13 - 13		27 - 6		74 - 5

DT40W P40 012

PART NO.	FIG. NO. -REF. NO.	PART NO.	FIG. NO. -REF. NO.	PART NO.	FIG. NO. -REF. NO.
09481-20001	75 - 5 79 - 11 80 - 11				
09482-00370	35 - 7 36 - 7				
	37 - 7 38 - 7				
09491-38007	4 - 18				
09492-67004	4 - 2				

SUZUKI DT40W PARTS CATALOGUE

1ST EDITION

PUBLISHED IN APR 2011

2011 **SUZUKI MOTOR CORPORATION** All rights reserved.

No part of this document may be modified reproduced, distributed, sold or transmitted in any form or by any means, electronic or mechanical, for any purpose, without the express written permission of Suzuki Motor Corporation.

SUZUKI MOTOR CORPORATION

FIELD QUALITY ASSURANCE GROUP

MOTORCYCLE QUALITY ASSURANCE DEPARTMENT

QUALITY CONTROL

300 TAKATUKA, MINAMI, HAMAMATU, JAPAN

SUZUKI MOTOR CORPORATION

PRINTED IN JAPAN

9900B-45226