

**SUZUKI**  
PARTS CATALOGUE

**DF25A/30A**  
DF25A/AR



**OUTBOARD MOTOR**

P03

2014-3

1ST EDITION

## PREFACE

When it becomes necessary to replace parts on SUZUKI OUTBOARD MOTORS, always use SUZUKI GENUINE PARTS which have passed a strict inspection which guarantees quality and performance.

This parts catalogue covers the list of all service parts for SUZUKI DF25A production start 2014.

### INSTRUCTIONS FOR QUOTING THE CATALOGUE

#### 1. DIMENSIONS

Dimensions of the parts in this catalogue are indicated in unit millimeters.

#### 2. ABBREVIATIONS

Abbreviations used in this catalogue are as follows:

AR	: As required	NT	: Number of teeth
ASSY	: Assembly	OPT	: Optional
E. NO.	: Engine number	OS	: Over size
F. NO.	: Frame number	STD	: Standard
D	: Diameter of material	T	: Thickness
ID	: Inside diameter	US	: Under size
OD	: Outside diameter	W	: Width
L	: Length	W/	: with
LH(PORT)	: Left hand side	S, L	: Transom type
RH(STBD)	: Right hand side	SUS	: Stainless steel
~123456	: Up to E. NO. 02504F-123456		
123456~	: From E. NO. 02504F-123456		

$\frac{12}{|} \times \frac{34}{|} \times \frac{5.6}{|}$ ..... Figures in the description column  
| | | show the dimensions of parts.  
ID OD T(or W, L)

→12345-56781 (Parts No.) : indicates that the parts number was changed to 12345-56781 and the new parts are interchangeable with the former ones but the former ones are not interchangeable with new ones.

←12345-56781 (Parts No.) : indicates that the former and new parts are interchangeable with each other and both are usable.

#### 3. INNER PARTS OF ASSEMBLY

Part name with a dot (.) in front as shown in the description column indicates the component of the assembly also available individually.

#### 4. MODIFICATION NOTICE

A parts bulletin will be sent to you on all occasions when changes in parts occur, including interchangeable modifications between new parts and old ones.

#### 5. NOTE

5-1. There are some different parts from those of production models among spare parts for the administrative reasons and common use of them with other models.

5-2. In respect of rubber hoses and vinyl tubes, please be sure to use them by cutting off according to the length mentioned on parts catalogue or what is actually required on the vehicle.

5-3. Note that the drawings on the illustration page are for ready reference of spare parts number, not to be used as an assembly manual.  
When assembling, use "SUZUKI SERVICE MANUAL".

#### 6. MODEL NAME AND ENGINE NUMBER

MODEL	DESTINATION	TYPE	TRANSOM	ENGINE NO.
DF25A	P03	02504F	S, L	02504F-510001~
DF25AR	P03	02504F	S, L	02504F-510001~

## PREFACE

Quand il devient nécessaire de remplacer des pièces sur SUZUKI MOTEURS HORSBOARD toujours utiliser les PIÈCES D'ORIGINE SUZUKI qui ont été soumises à des contrôles de qualité sévères leur garantissant qualité et performance impeccables.

Ce catalogue de pièces détachées couvre la liste de toutes les pièces de rechange pour SUZUKI DF25A production start 2014.

### INSTRUCTIONS POUR UTILISER LE CATALOGUE

#### 1. DIMENSIONS

Les dimensions des pièces dans ce catalogue sont indiquées en unités de millimètres.

#### 2. ABREVIATIONS

Les abréviations utilisées dans ce catalogue sont les suivantes:

AR	: Comme requis	NT	: Nombre de dents
ASSY	: Assemblage	OPT	: Sur option
E. NO.	: Numéro du moteur	OS	: Sur-dimensionné
F. NO.	: Numéro du chfssis	T	: Epaisseur
ID	: Diamètre intérieur	US	: Sous-dimensionné
OD	: Diamètre extérieur	W	: Largeur
L	: Longueur		

LH(PORT) : Côte gauche

RH(STBD) : Côte droit

~123456 : Jusqu'à E. NO. 02504F-123456

123456~ : Depuis E. NO. 02504F-123456

12 x 34 x 5.6..... Les chiffres dans la colonne

| | | remarques montrent les dimensions

ID OD T(or W,L) des pieces comme suit.

→12345-56781 (N° de pieces) : indique que le numéro des pièces a été échangé en 12345-56781 et que les nouvelles pièces sont interchangeables avec les anciennes, mais que celles-ci ne sont pas interchangeables avec les nouvelles.

←12345-56781 (N° de pieces) : indique que les anciennes et nouvelles pièces sont interchangeables les unes avec les autres et sont utilisables chacune.

#### 3. PIÈCES INTERNES DE L'ASSEMBLAGE

Les numéros de pièces qui comportent un point (.) avant la désignation de pièce détachée indique la pièce interne se rapportant à l'assemblage.

#### 4. AVIS DE MODIFICATION

Un bulletin de pièces détachées vous sera envoyé à tout moment opportun quand des changements de pièces ont lieu, y compris les modifications de pièces interchangeables entre les nouvelles et anciennes pièces.

#### 5. A NOTER

5-1. Il existe certaines pièces différentes de celles de rechange pour les modèles de production vu des raisons administratives et dont l'usage est commun avec celles d'autres modèles.

5-2. Concernant les durites en caoutchouc et les tuyaux en vinyle, ne pas manquer de les couper à la bonne longueur comme indiqué dans le catalogue des pièces détachées ou selon ce qui est utile pour le véhicule affecté.

5-3. Noter que les dessins à la page d'illustration servent à titre de référence pour les numéros de pièces détachées, et non pas comme référence pour l'assemblage. Pour cette dernière opération, se reporter au "MANUEL D'ENTRETIEN SUZUKI".

#### 6. NOM DU MODELE / NUMERO DE SERIE DU MOTEUR

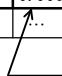
MODELE	DESTINATION	TYPE	HOUTEUR DE	
			BARRE D'ARCASSE	N° DELA MOTEUR
DF25A	P03	02504F	S, L	02504F-510001~
DF25AR	P03	02504F	S, L	02504F-510001~

MILLIMETER → INCH CONVERSION CHART  
 TABLEAU DE CONVERSION DE MILLIMETRES → POUCES

	0	1	2	3	4	5	6	7	8	9
00	.000	.039	.079	.118	.157	.197	.236	.276	.315	.354
10	.394	.433	.472	.512	.551	.591	.630	.669	.709	.748
20	.787	.827	.866	.906	.945	.984	1.024	1.063	1.102	1.142
30	1.181	1.220	1.260	1.299	1.339	1.378	1.417	1.457	1.496	1.535
40	1.575	1.614	1.654	1.693	1.732	1.772	1.811	1.850	1.890	1.929
50	1.969	2.008	2.047	2.087	2.126	2.165	2.205	2.214	2.283	2.323
60	2.362	2.402	2.441	2.480	2.520	2.559	2.598	2.638	2.677	2.717
70	2.756	2.795	2.835	2.874	2.913	2.953	2.992	3.031	3.071	3.110
80	3.150	3.189	3.228	3.268	3.307	3.346	3.386	3.425	3.465	3.504
90	3.543	3.583	3.622	3.661	3.701	3.740	3.780	3.819	3.858	3.898

How to read  
 Mode de lecture

	0	1	2	3	4
00	...	...	...	...	...
10	...	...	...	...	...
20	...	...	...	0.906	...
30	...	...	...	...	...


 23 millimeters equal 0.906 in  
 23 millimètres égalent 0.906 pouce

Contents are subject to change without notice or obligation.

Les matières traitées sont susceptibles d'être modifiées sans préavis obligation de notre part.

FIG. 111A

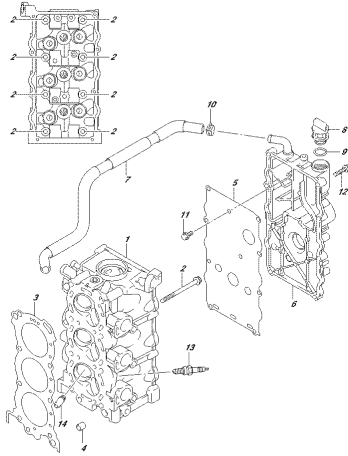


FIGURE 111A  
CYLINDER HEAD

FIG. 113A

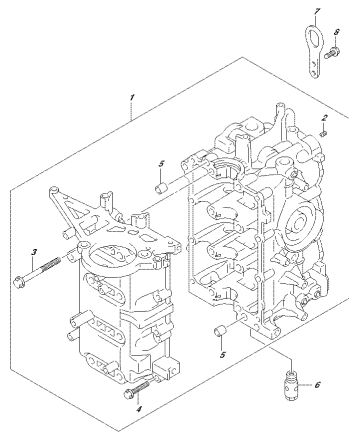


FIGURE 113A  
TIMING BELT

FIG. 116A

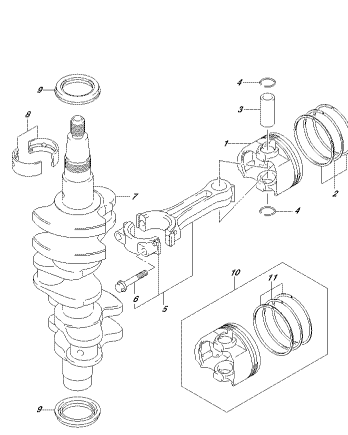


FIGURE 116A  
LOWER CONTROL ARM

FIG. 120A

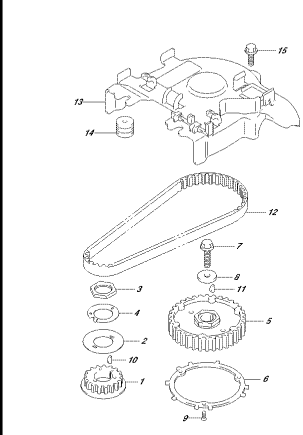


FIGURE 120A  
TIMING BELT

FIG. 121A

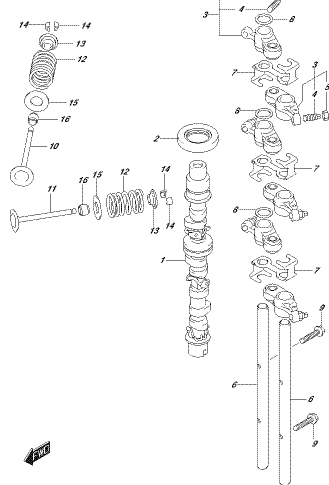


FIGURE 121A  
LOWER CONTROL ARM

FIG. 122A

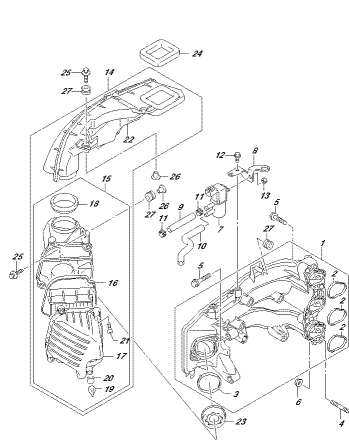


FIGURE 122A  
TIMING BELT

FIG. 139A

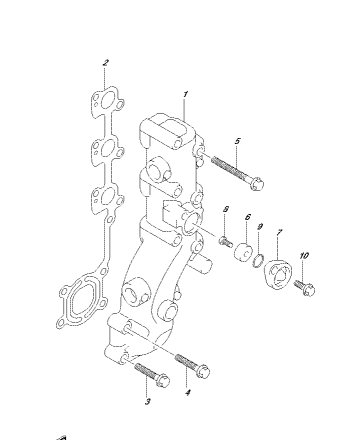


FIGURE 139A  
LOWER CONTROL ARM

FIG. 144A

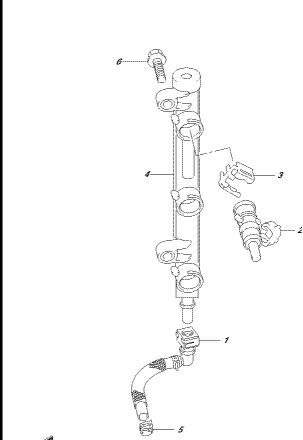


FIGURE 144A  
LOWER CONTROL ARM

FIG. 146A

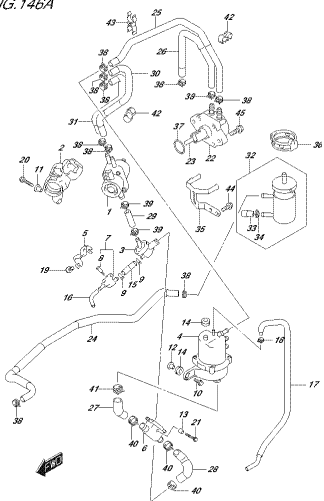


FIG. 146A  
FIG. 146A  
FIG. 146A  
FIG. 146A

FIG. 160A

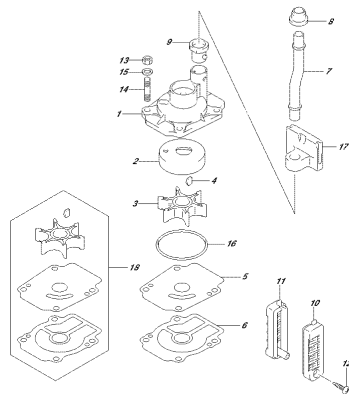


FIG. 160A  
FIG. 160A  
FIG. 160A  
FIG. 160A

FIG. 162A

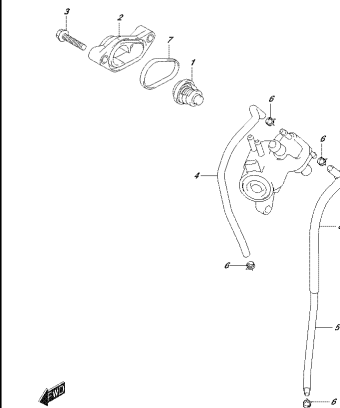


FIG. 162A  
FIG. 162A  
FIG. 162A  
FIG. 162A

FIG. 163A

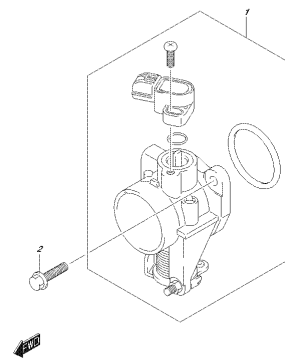


FIG. 163A  
FIG. 163A  
FIG. 163A  
FIG. 163A

FIG. 166A

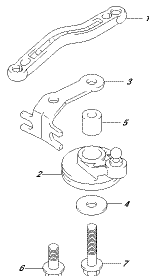


FIG. 166A  
FIG. 166A  
FIG. 166A  
FIG. 166A

FIG. 166B

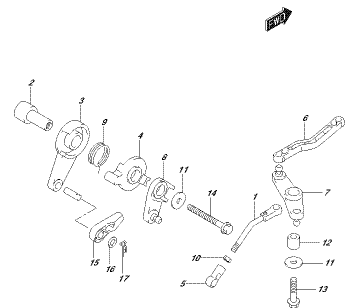


FIG. 166B  
FIG. 166B  
FIG. 166B  
FIG. 166B

FIG. 167A

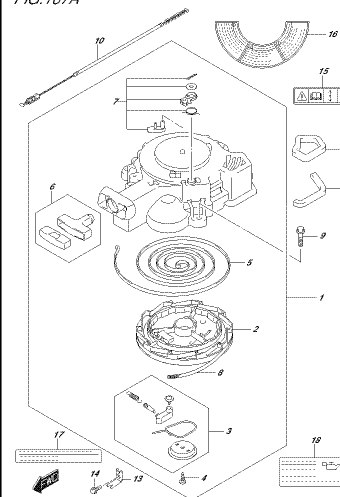


FIG. 167A  
FIG. 167A  
FIG. 167A  
FIG. 167A

FIG. 175A

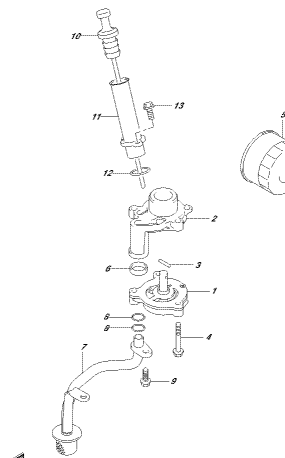
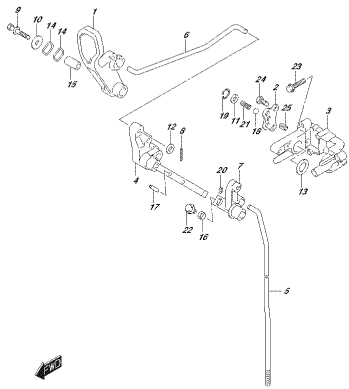


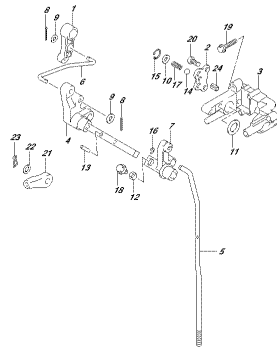
FIG. 175A  
FIG. 175A  
FIG. 175A  
FIG. 175A

FIG.206A



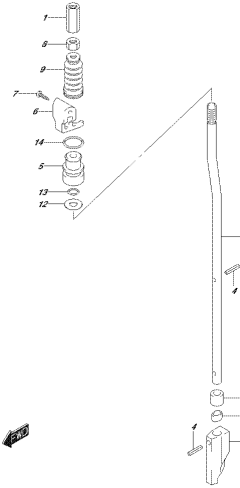
JPC06\_S&A\_PRL\_012\_004  
CLUTCH ROD

FIG.206B



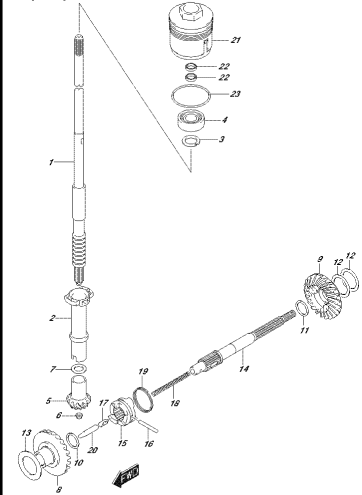
JPC06\_S&A\_PRL\_012\_005  
CLUTCH ROD

FIG.210A



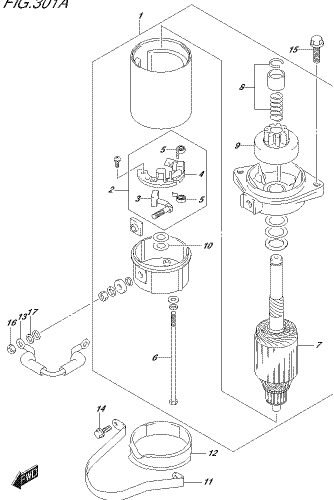
JPC06\_S&A\_PRL\_012\_010  
SHAFT ROD

FIG.220A



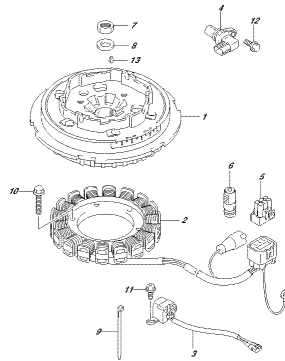
JPC06\_S&A\_PRL\_012\_004  
FRANSHISSCHEN

FIG.301A



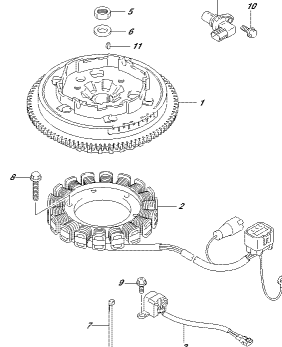
JPC06\_S&A\_PRL\_012\_014  
STARTING MOTOR

FIG.303A



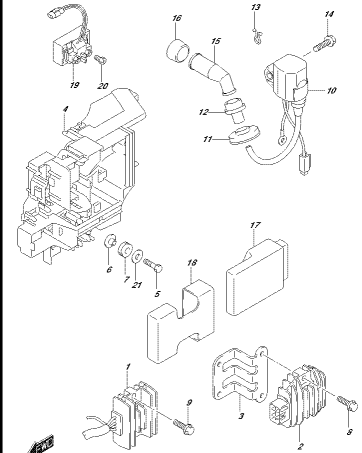
JPC06\_S&A\_PRL\_012\_010  
MAGNET

FIG.303B



JPC06\_S&A\_PRL\_012\_010  
MAGNET

FIG.310A



JPC06\_S&A\_PRL\_012\_010  
RECTIFIER/REKTIFIKATION

FIG.310B

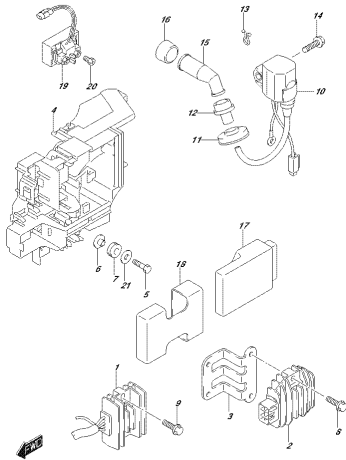


FIG.310A\_PRL.012.010P  
SENSORS/SENSOR/COR

FIG.322A

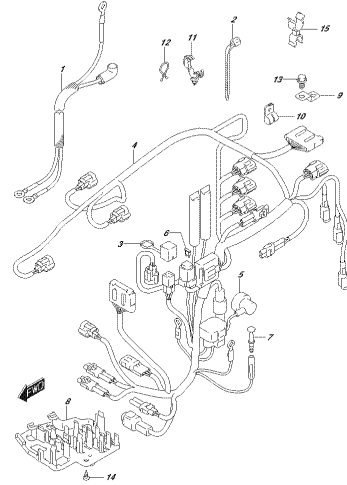


FIG.322A\_PRL.012.020A  
SENSORS

FIG.322B

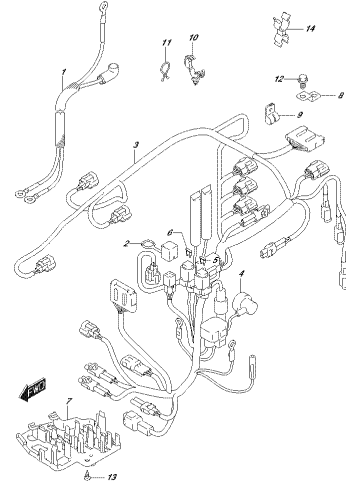


FIG.322B\_PRL.012.020P  
SENSORS

FIG.334A

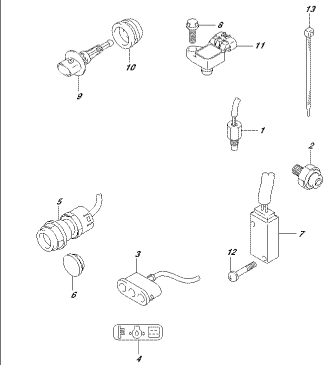


FIG.334A\_PRL.012.034A  
SENSORS/SENSOR/COR

FIG.334B

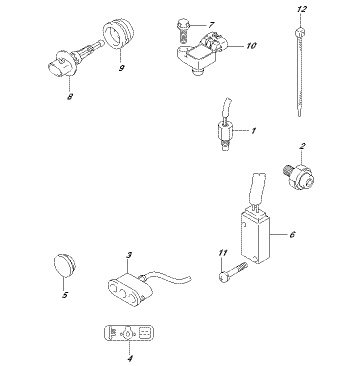


FIG.334B\_PRL.012.034P  
SENSORS/SENSOR/COR

FIG.335A

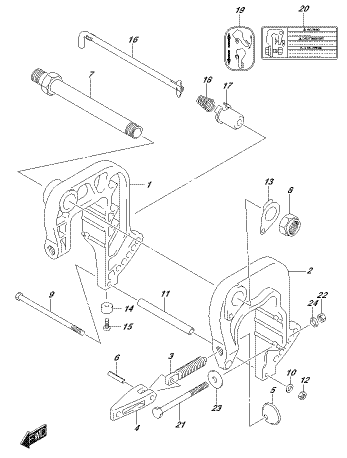


FIG.335A\_PRL.012.035A  
CLAMP/BRACKET

FIG.336A

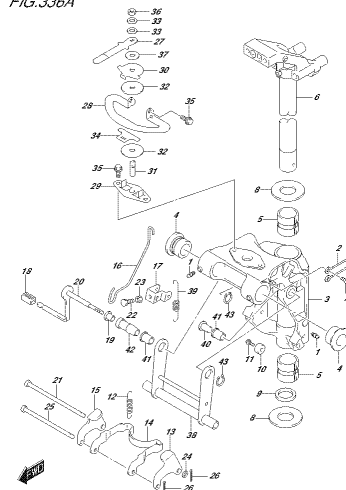


FIG.336A\_PRL.012.036A  
SWIVEL/BRACKET

FIG.336B

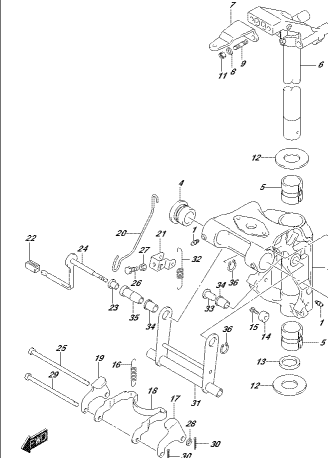


FIG.336B\_PRL.012.036P  
SWIVEL/BRACKET



FIG.401A

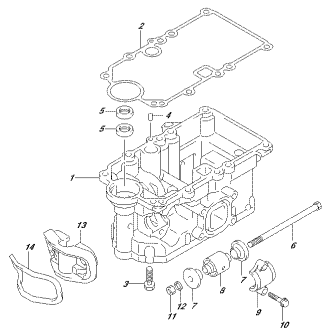


FIG. 401A  
ENGINE COVER

FIG.405A

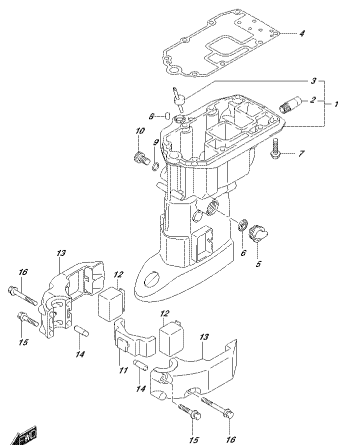


FIG. 405A  
ENGINE COVER

FIG.407A

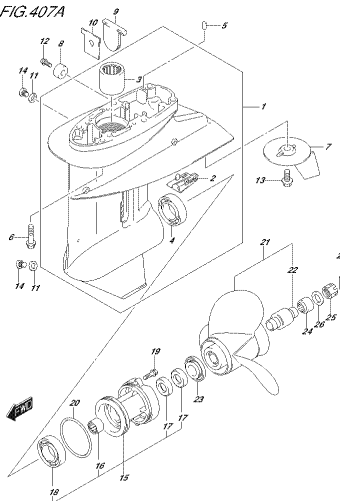


FIG. 407A  
GEAR LOCK

FIG.410A

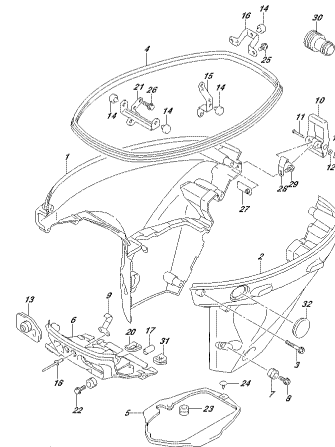


FIG. 410A  
SIDE COVER

FIG.410B

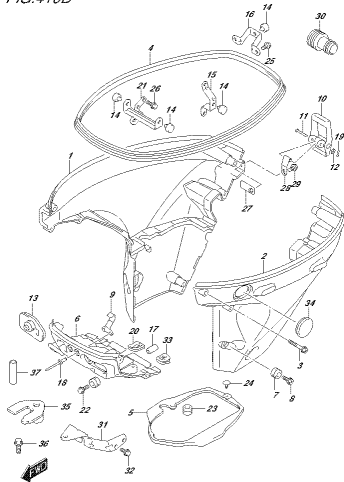


FIG. 410B  
SIDE COVER

FIG.420A

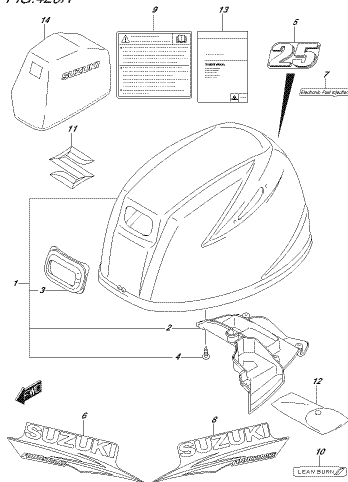


FIG. 420A  
ENGINE COVER

FIG.432A

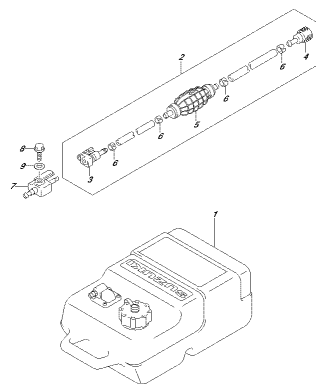


FIG. 432A  
FUEL TANK

FIG.442A

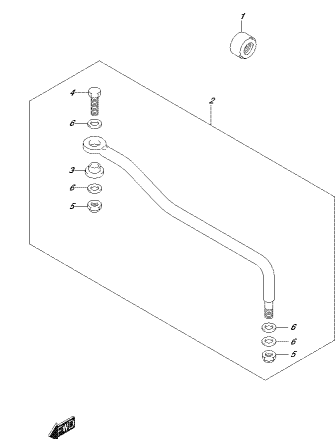


FIG. 442A  
FUEL TANK

FIG.444A

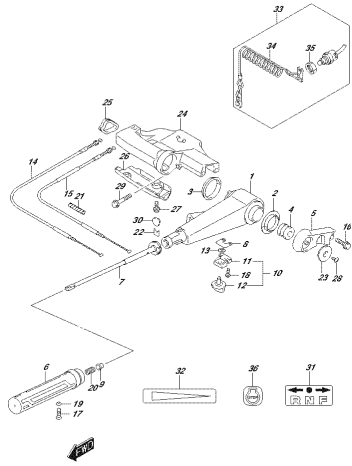


FIG.444A  
OPTIBRITE CONTROL

FIG.450A

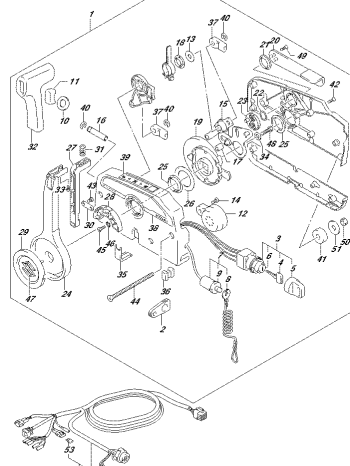


FIG.450A  
OPTIBRITE CONTROL

FIG.501A

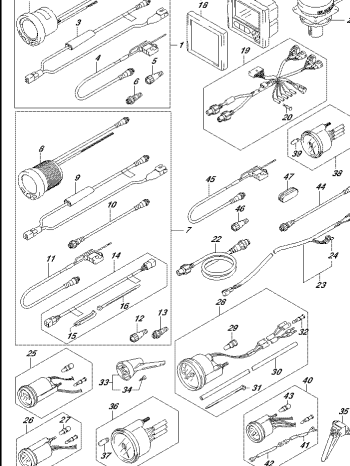


FIG.501A  
OPTIBRITE CONTROL

FIG.508A

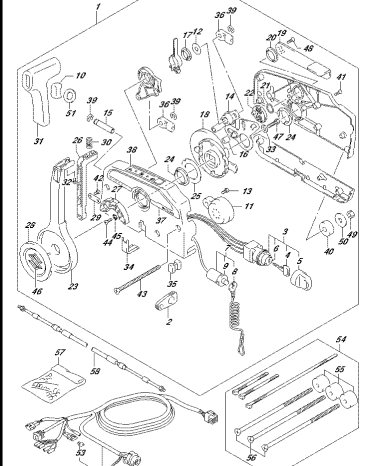


FIG.508A  
OPTIBRITE CONTROL

FIG.513A

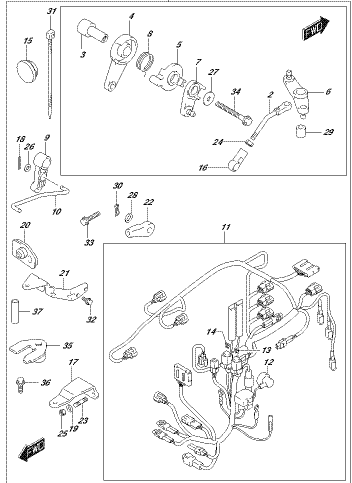


FIG.513A  
OPTIBRITE CONTROL PARTS

FIG.515A

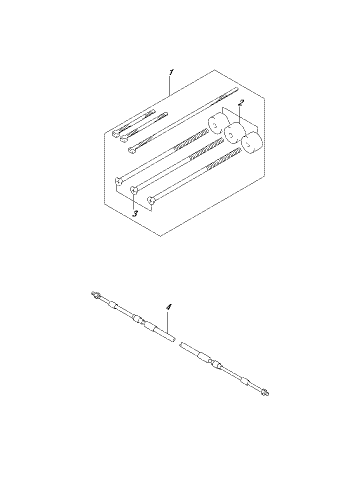


FIG.515A  
OPTIBRITE CABLE

FIG.517A

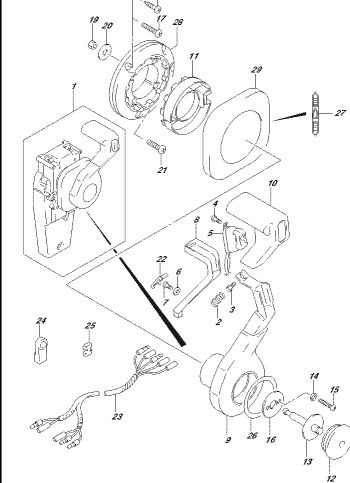


FIG.517A  
OPTIBRITE ALIGNED HANDLE (1)

FIG.518A

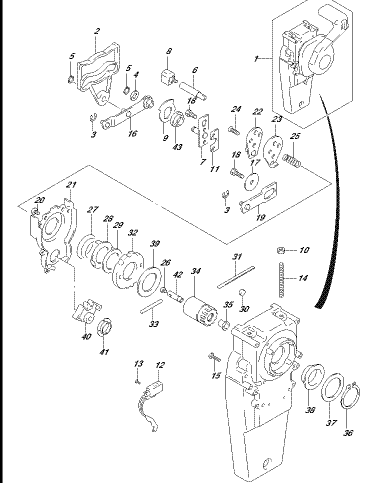


FIG.518A  
OPTIBRITE ALIGNED HANDLE (2)

FIG.519A

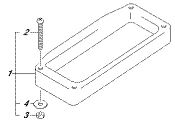


FIG.519A  
OPT. REMOTE CONTROL (SINGLE 2P)

FIG.521A

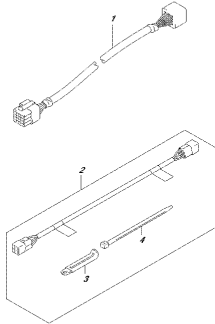


FIG.521A  
OPT. REMOTE CONTROL (SINGLE 2P)

FIG.530A

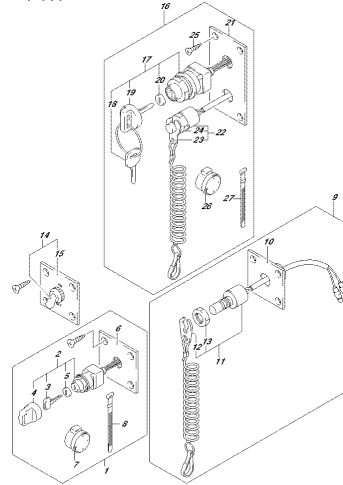


FIG.530A  
OPT. REMOTE CONTROL (SINGLE 2P)

FIG.544A

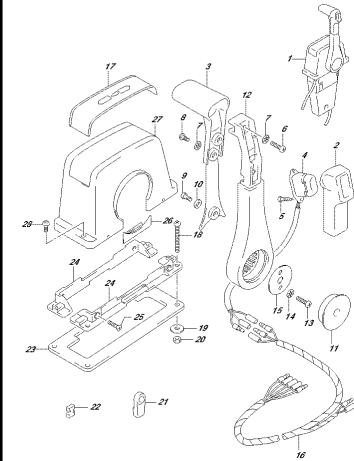


FIG.544A  
OPT. REMOTE CONTROL (SINGLE 2P)

FIG.545A

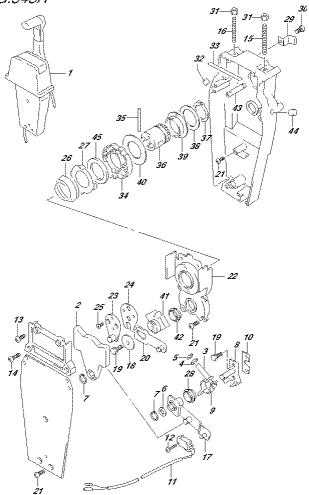


FIG.545A  
OPT. REMOTE CONTROL (SINGLE 2P)

FIG.553A

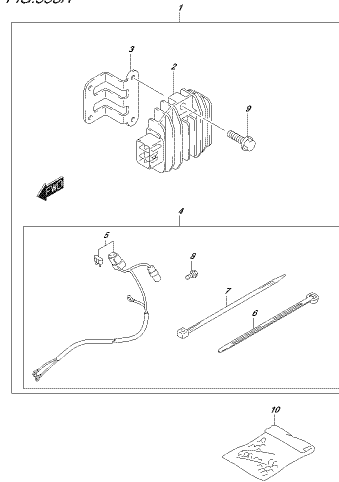


FIG.553A  
OPT. ELECTRICAL (MANUAL STARTER)

FIG.561A

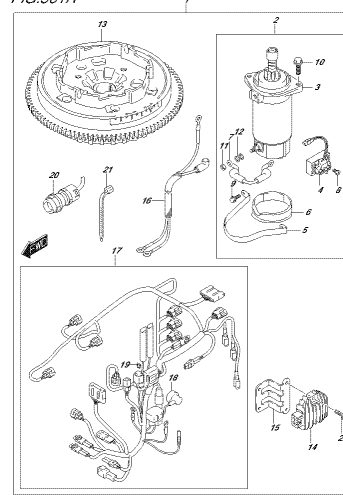


FIG.561A  
OPT. STARTING INDICATOR (MANUAL STARTER)

FIG.575A

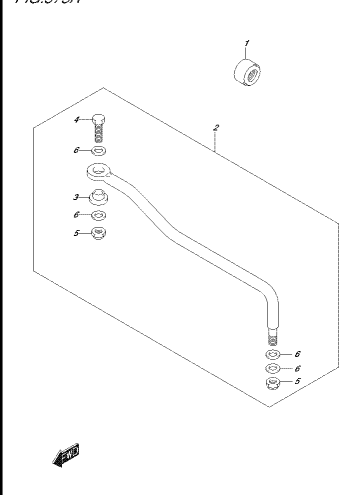


FIG.575A  
OPT. CABLE LINK

FIG. 588A

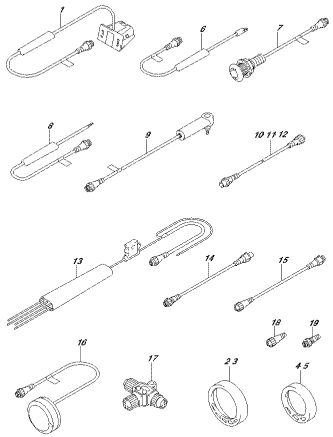


FIG. 588A (REV. 10/10/12) 888A  
DISTANCE GAUGE

FIG.111A

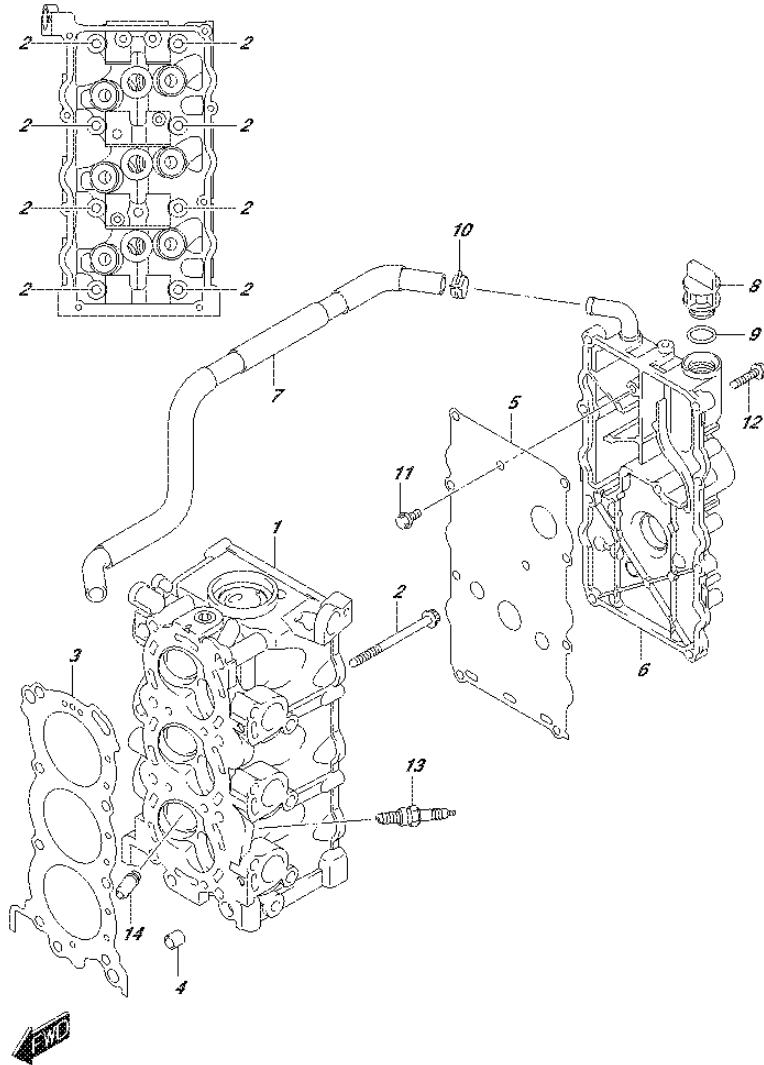


FIG.111A (1-B-2) CYLINDER HEAD

REF NO.	PART NO.	DESCRIPTION	Q'TY	REMARKS
1	11110-94L00	HEAD, CYLINDER	1	
2	11119-94L00	BOLT, CYLINDER HEAD NO.1	8	
3	11141-94L00	GASKET, CYLINDER HEAD	1	
4	04211-11129	PIN	2	
5	11162-94L00	GASKET, CYLINDER HEAD COVER	1	
6	11170-94L00	COVER, CYLINDER HEAD	1	
7	11174-94L00	HOSE, BREATHER	1	
8	11382-93E00	CAP, OIL FILLER	1	
9	09280-17003	O RING (D:3.1,ID:16.8)	1	
10	09401-15414	CLIP	1	
11	01547-0612A	BOLT	2	
12	01550-06257	BOLT	8	
13	09482-00L04	SPARK PLUG (CPR6EA-9)	3	NGK
14	11115-30D70	GUIDE, VALVE	6	OPT

FIG.113A

FIG.113A (1-B-3) CYLINDER BLOCK

REF NO.	PART NO.	DESCRIPTION	Q'TY	REMARKS
1	11301-94L00	BLOCK SET, CYLINDER	1	
2	11112-84400	.PLUG, OIL VENTURI	1	
3	09119-08L01	.BOLT (8X77)	8	
4	01550-06357	.BOLT	8	
5	04211-11129	.PIN	2	
6	16440-11D00	.REGULATOR, ENGINE OIL (6.5K)	1	
7	11291-94L00	HOOK, ENGINE	1	
8	01550-08207	BOLT	2	

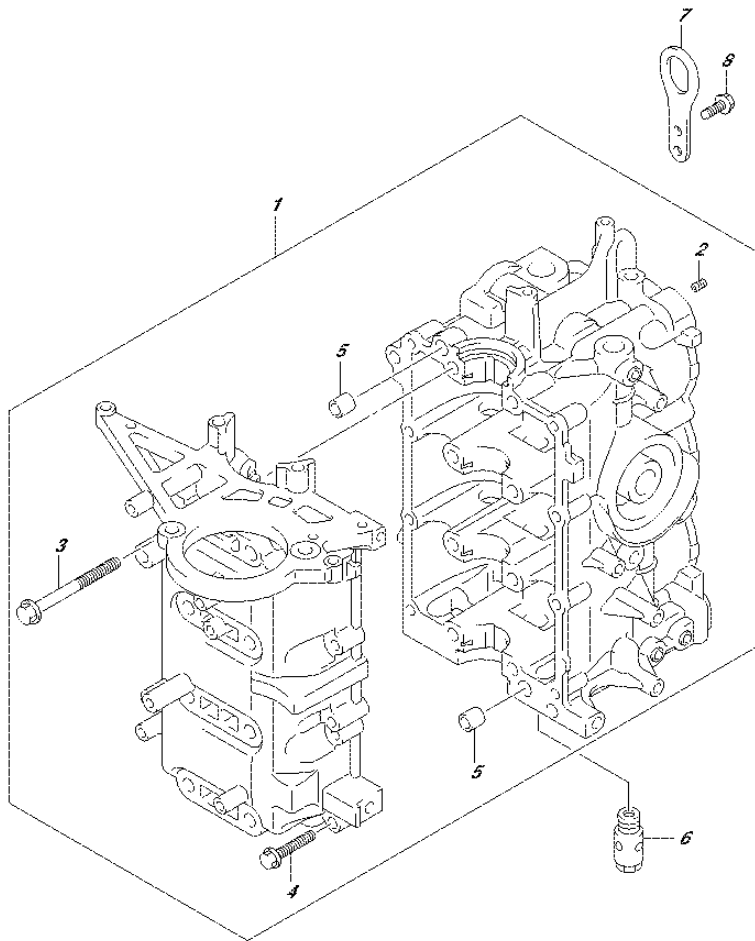


FIG.116A

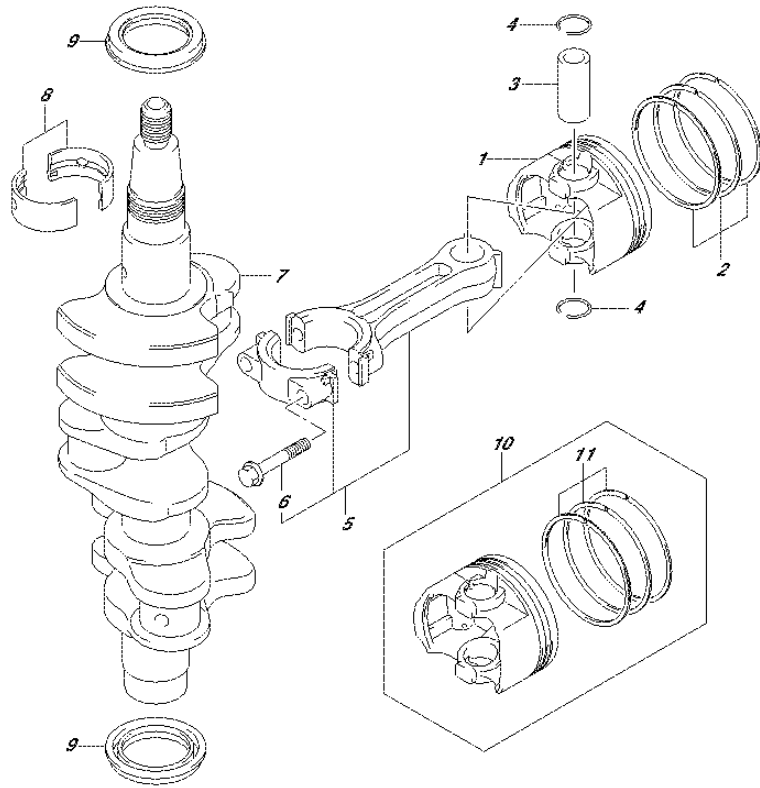


FIG.116A (1-B-4) CRANKSHAFT

REF NO.	PART NO.	DESCRIPTION	Q'TY	REMARKS
1	12111-89L00-0B0	PISTON	3	
2	12140-89L00	RING SET, PISTON	3	
3	12151-89L00	PIN, PISTON	3	
4	09381-16001	SNAP RING	6	
5	12160-89L00	CONNROD ASSY	3	
6	12163-89L00	.BOLT, CONNECTING ROD	6	
7	12220-94L00	CRANKSHAFT	1	
8	12341-89L10	BEARING, CRANKSHAFT	8	
9	09283-32039	OIL SEAL (32X44X6.5)	2	
10	12100-89L00-050	PISTON SET (OS:0.50)	3	OPT
11	12140-89L00-050	.RING SET, PISTON (OS:0.50)	3	OPT



FIG. 120A

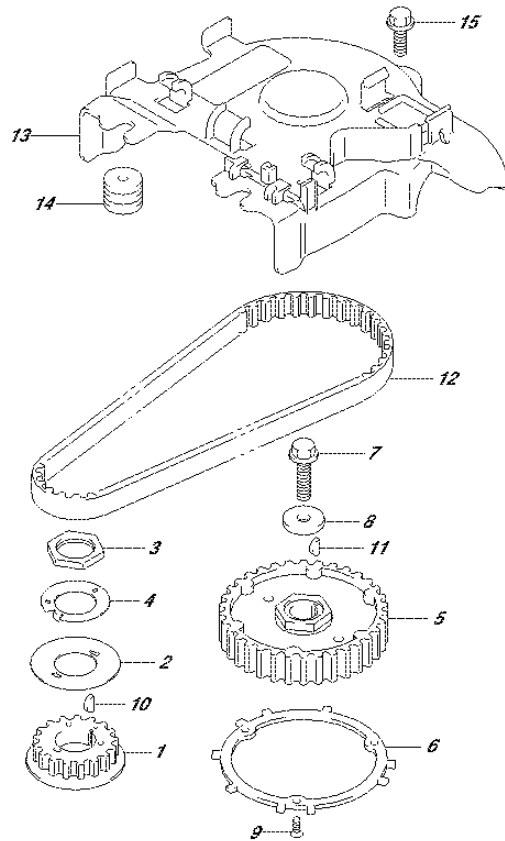


FIG.120A (1-B-5) TIMING BELT

REF NO.	PART NO.	DESCRIPTION	Q'TY	REMARKS
1	12631-94L00	PULLEY, CRANKSHAFT	1	
2	12635-89L00	GUIDE, TIMING BELT	1	
3	12637-89L00	NUT, TIMING PULLEY	1	
4	12638-89L00	WASHER, PULLEY NUT LOCK	1	
5	12741-94L00	PULLEY, CAMSHAFT	1	
6	12744-94L00	PLATE, SENSING	1	
7	09103-08458	BOLT (8X30)	1	
8	09160-09020	WASHER, CAMSHAFT PULLEY	1	
9	02122-04127	SCREW	3	
10	08341-31039	KEY	1	
11	08341-31039	KEY	1	
12	12761-94L00	BELT, TIMING	1	
13	12764-94L00	COVER, TIMING BELT	1	
14	09320-05019	CUSHION	2	
15	01550-06207	BOLT	1	





FIG. 121A

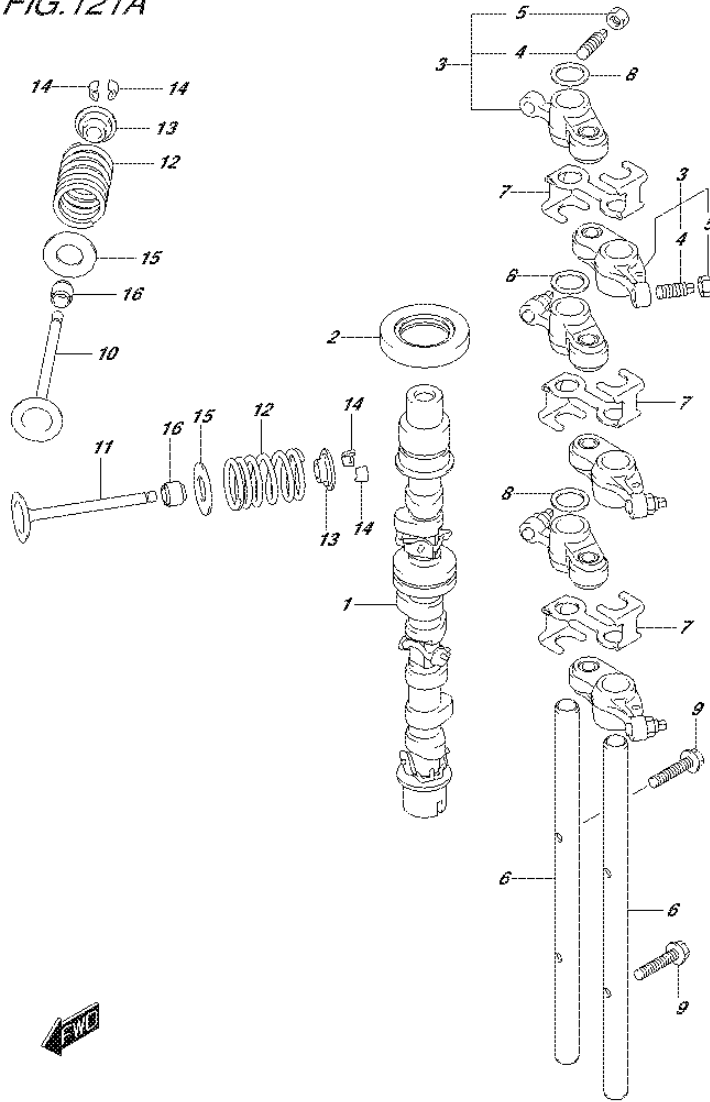


FIG.121A (1-B-6) CAMSHAFT

REF NO.	PART NO.	DESCRIPTION	Q'TY	REMARKS
1	12700-94L00	CAMSHAFT ASSY	1	
2	09283-27022	SEAL, CAMSHAFT OIL	1	
3	12840-94L00	ARM COMP, ROCKER	6	
4	12842-09J00	.SCREW, TAPPET ADJUSTING	6	
5	12843-27A00	.NUT, TAPPET ADJUSTING	6	
6	12861-94L00	SHAFT, ROCKER ARM	2	
7	12862-94L00	RETAINER, ROCKER ARM	3	
8	09164-12021	WASHER	3	
9	01547-0625A	BOLT	2	
10	12911-94L00	VALVE, INTK	3	
11	12915-94L00	VALVE, EXH	3	
12	12921-94L00	SPRING, VALVE	6	
13	12931-09420	RETAINER, VALVE SPRING	6	
14	12932-09G00	COTTER VALVE	12	
15	12933-94L00	SEAT, VALVE SPRING	6	
16	09289-05008	OIL SEAL (5X10.5X8.4)	6	

FIG. 122A

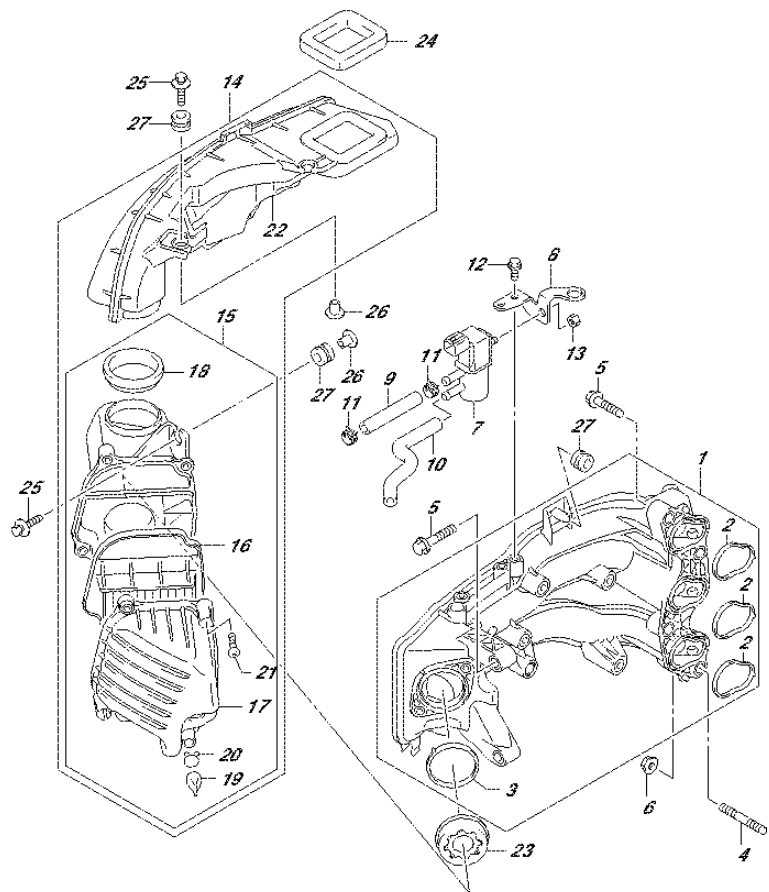


FIG.122A (1-B-7) INTAKE MANIFOLD

REF NO.	PART NO.	DESCRIPTION	Q'TY	REMARKS
1	13110-94L00	MANIFOLD, INTAKE	1	
2	13119-94L00	.GASKET, INTAKE MANIFOLD	3	
3	13125-94L00	.GASKET, THROTTLE BODY	1	
4	01421-08357	STUD BOLT	2	
5	01550-08357	BOLT	4	
6	08316-10087	NUT	2	
7	18117-78K00	VALVE, EVAP CSTR PURGE	1	
8	18119-94L00	BRACKET, IAC VALVE	1	
9	09355-70125-600	HOSE (7X12X600)	1	L:600->70
10	18173-94L00	HOSE, IAC VALVE NO.2	1	
11	09401-11423	CLIP	2	
12	01550-06127	BOLT	2	
13	08316-10067	NUT	1	
14	13800-94L00	SILENCER ASSY	1	
15	13810-94L00	.CLEANER, SILENCER	1	
16	13711-94L00	..ELEMENT ASSY, AIR CLEANER	1	
17	13812-94L00	..CAP, AIR CLEANER	1	
18	13813-94L00	..SEAL, AIR CLEANER	1	
19	13815-94L00	..CAP, DRAIN	1	
20	13816-94L00	..CLIP, CAP	1	
21	13817-94L00	..SCREW	4	
22	13841-94L00	..DUCT, SILENCER	1	
23	13820-94L00	HOLDER, RESTRICTOR	1	
24	13851-94L00	SEAL, AIR INTAKE	1	
25	09116-06215	BOLT (6X30)	4	
26	09169-06075	WASHER	4	
27	09320-09039	CUSHION	5	



FIG.139A

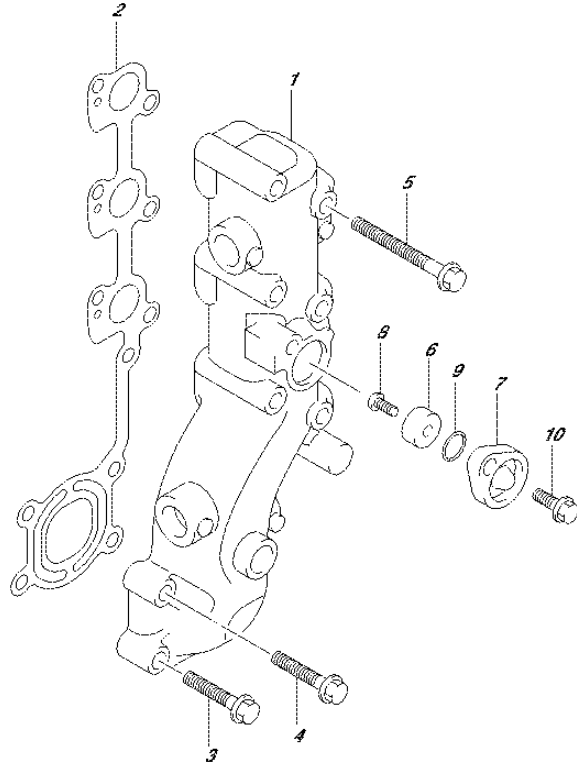


FIG.139A (1-B-8) EXHAUST MANIFOLD

REF NO.	PART NO.	DESCRIPTION	Q'TY	REMARKS
1	14110-94L00	MANIFOLD, EXHAUST	1	
2	14151-94L00	GASKET, EXHAUST MANIFOLD	1	
3	01550-08407	BOLT	2	
4	09116-08152	BOLT (8X45)	2	
5	01550-08707	BOLT	6	
6	55321-87J00	ANODE, PROTECTION	1	
7	11261-93J00	COVER, PROTECTION ANODE	1	
8	09103-06281	BOLT (6X14)	1	
9	09280-22019	O RING (D:1.9,ID:21.8)	1	
10	01550-08207	BOLT	1	

FIG.144A

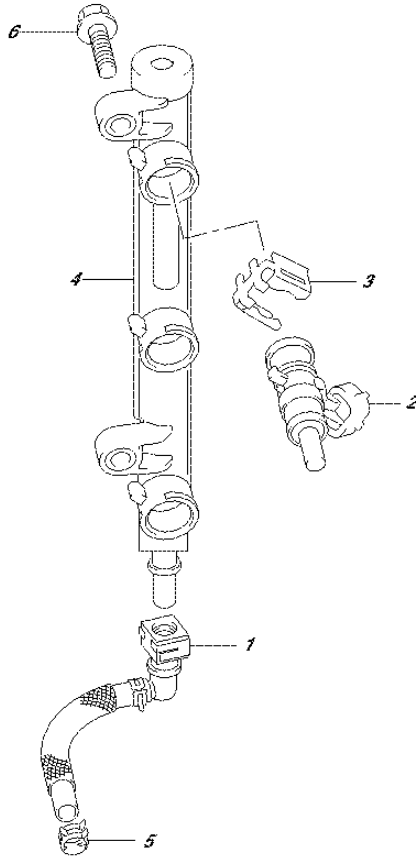


FIG.144A (1-B-9) FUEL INJECTOR

REF NO.	PART NO.	DESCRIPTION	Q'TY	REMARKS
1	15681-94L00	HOSE, FUEL (PUMP TO DLVY)	1	
2	15710-82M00	INJECTOR ASSY, FUEL	3	
3	15715-82M00	CLIP, FUEL INJECTOR	3	
4	15750-94L00	PIPE, DELIVERY	1	
5	09401-11425	CLIP	1	
6	01550-06257	BOLT	2	

FIG. 146A

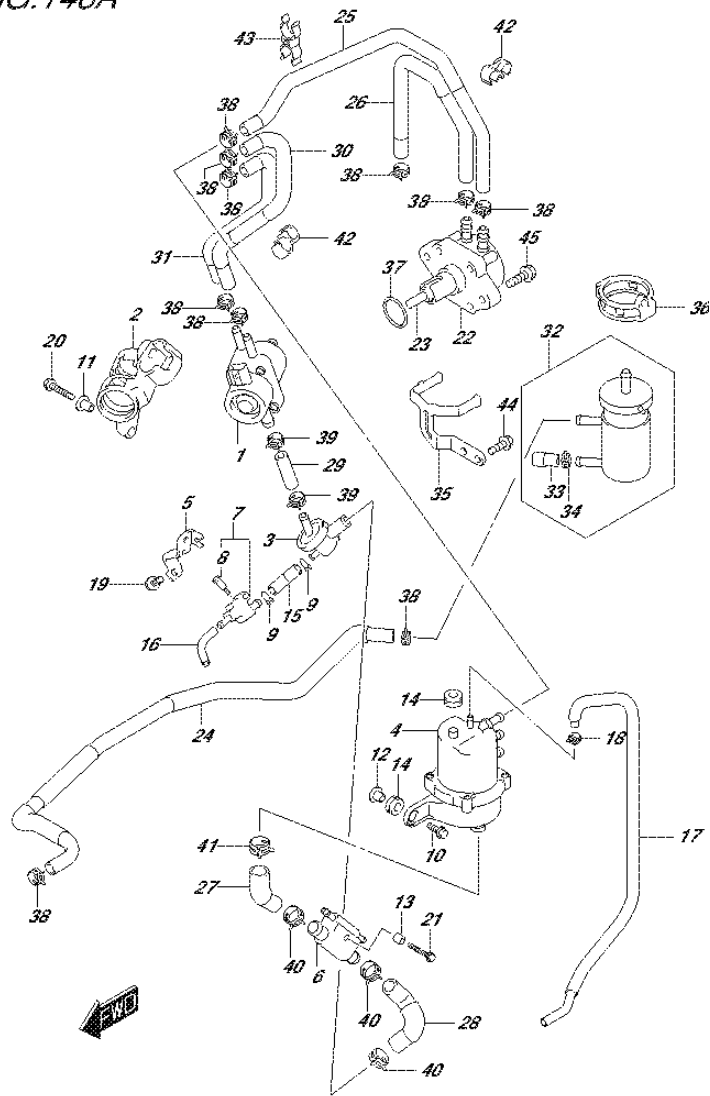


FIG.146A (1-B-10) FUEL PUMP

REF NO.	PART NO.	DESCRIPTION	Q'TY	REMARKS
1	15200-94L00	PUMP ASSY, FUEL (H)	1	
2	15217-94L00	CUSHION, FUEL PUMP (H)	1	
3	15410-94L00	FILTER, FUEL	1	
4	15600-94L00	SEPARATOR ASSY, FUEL VAPOR	1	
5	15674-94L00	BRACKET, FUEL DRAIN	1	
6	15770-94L00	COOLER, FUEL	1	
7	15820-94L00	BODY, DRAIN	1	
8	15629-89L00	.SCREW, FUEL DRAIN	1	
9	59412-91J00	CLIP, FUEL HOSE	2	
10	09116-06202	BOLT (6X25)	2	
11	09169-06075	WASHER	1	
12	09169-06062	WASHER	2	
13	09180-06230	SPACER (6.2X12.6X12.5)	1	
14	09320-09052	CUSHION	3	
15	09343-50L01-040	HOSE	1	
16	09351-50807-070	HOSE, VINYL	1	
17	15662-94L00	HOSE, EVAPORATION	1	
18	09401-08412	CLIP	1	
19	01550-06167	BOLT	1	
20	01550-06307	BOLT	1	
21	01550-06457	BOLT	1	
22	15100-94L00	PUMP ASSY, FUEL (L)	1	
23	15131-94L00	ROD, FUEL PUMP	1	
24	15191-94L00	HOSE, FUEL (CONN TO FILTER)	1	
25	15192-94L00	HOSE, FUEL (PUMP TO SEPARATOR)	1	
26	15193-94L00	HOSE, FUEL (FILTER TO PUMP)	1	
27	15194-94L00	HOSE, FUEL (SEPARATOR TO COOLER)	1	
28	15194-94L10	HOSE, FUEL (COOLER TO 3WAY)	1	
29	15194-94L20	HOSE, FUEL (3WAY TO PUMP)	1	
30	15194-94L30	HOSE, FUEL (PUMP(H) TO SEP1)	1	
31	15194-94L40	HOSE, FUEL (PUMP(H) TO SEP2)	1	

FIG.146A

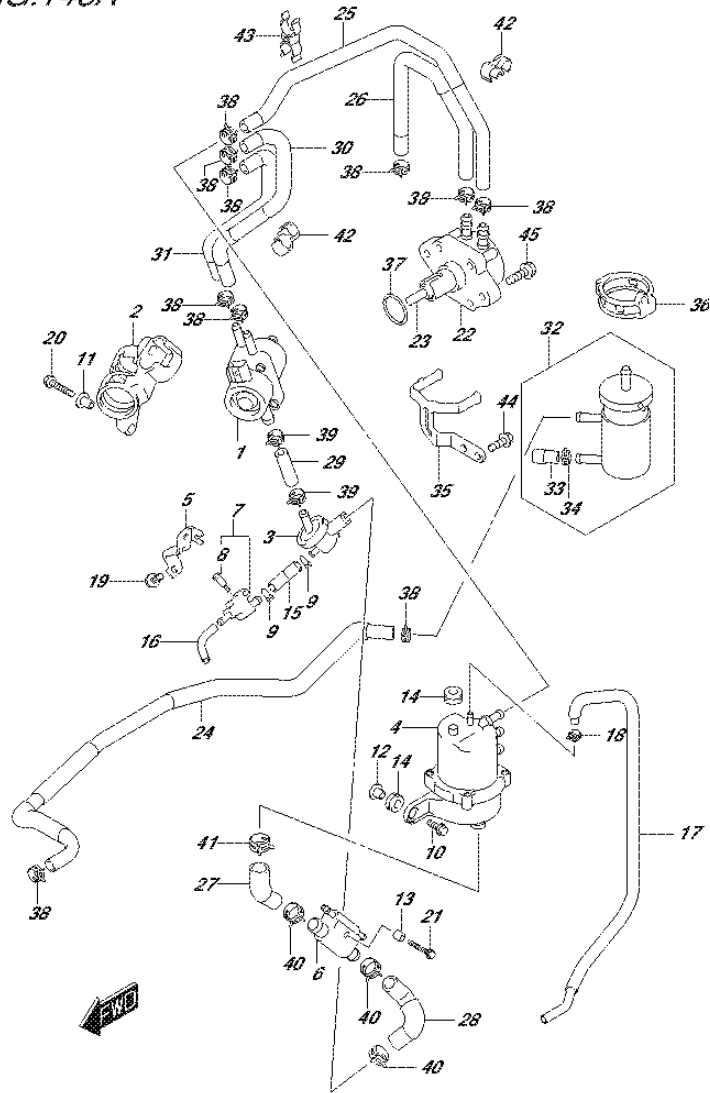


FIG.146A (1-B-11) FUEL PUMP

REF NO.	PART NO.	DESCRIPTION	Q'TY	REMARKS
32	15410-87L00	FILTER, FUEL	1	
33	15419-87J00	.CAP, FUEL FILTER	1	
34	09401-11423	.CLIP	1	
35	15421-94L00	BRACKET, FUEL FILTER	1	
36	15422-94L00	CLAMP, FUEL FILTER	1	
37	09280-26005	O RING (D:2.4, ID:26.2)	1	
38	09401-11423	CLIP	10	
39	09401-13423	CLIP	2	
40	09401-18414	CLIP, FUEL HOSE	3	
41	09401-20410	CLIP, FUEL HOSE	1	
42	09408-00043	CLAMP	2	
43	09408-00233	CLAMP	1	
44	01550-06167	BOLT	2	
45	01550-06257	BOLT	2	

FIG.160A

FIG.160A (1-B-12) WATER PUMP

REF NO.	PART NO.	DESCRIPTION	Q'TY	REMARKS
1	17411-94L00	CASE, WATER PUMP	1	
2	17413-94L00	SLEEVE, WATER PUMP CASE	1	
3	17461-94L00	IMPELLER, WATER PUMP	1	
4	17462-94L00	KEY, WATER PUMP IMPELLER	1	
5	17471-94L00	PANEL, PUMP CASE UNDER	1	
6	17472-94L00	GASKET, PUMP CASE UNDER	1	
7-1	17561-94L00	TUBE, WATER (S)	1	W/TRANSOM(S)
7-2	17561-94L10	TUBE, WATER (L)	1	W/TRANSOM(L)
8	17562-94L00	GROMMET, WATER TUBE UPPER	1	
9	17564-94L00	GROMMET, WATER TUBE LOWER	1	
10	17631-94L00	FILTER, WATER PORT SIDE	1	
11	17632-94L00	FILTER, WATER STBD SIDE	1	
12	03142-04259	SCREW	1	
13	29141-93J00	NUT	4	
14	09108-06149	BOLT, WATER PUMP CASE STUD	4	
15	09160-06082	WASHER (6.5X13X1.0)	4	
16	09280-54004	O RING, WATER PUMP CASE	1	
17	17565-94L00	GUIDE, WATER TUBE	1	
18	17400-94L00	KIT, WATER PUMP REPAIR	1	OPT

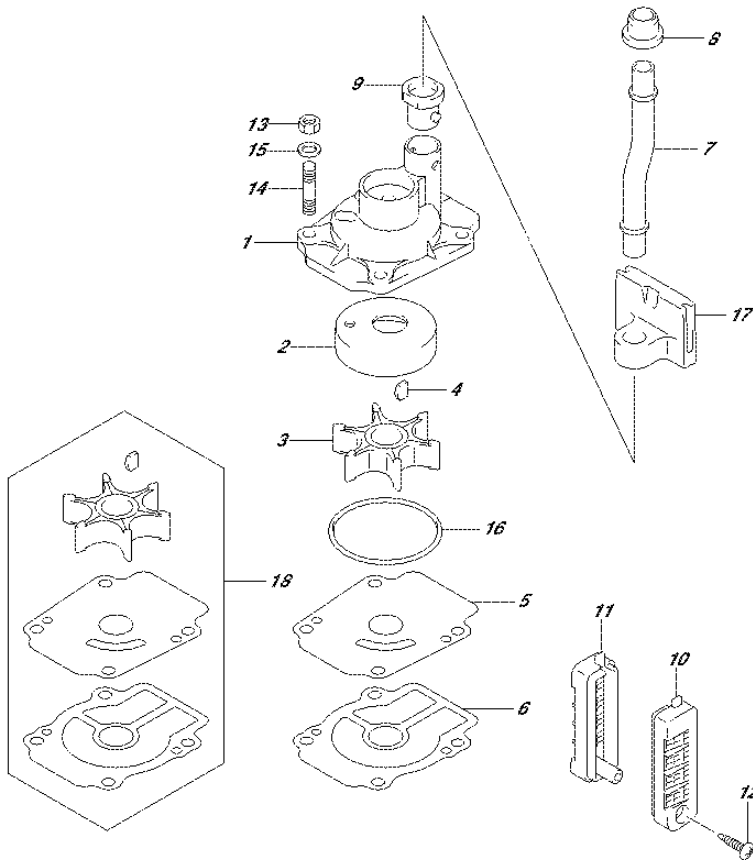


FIG.162A

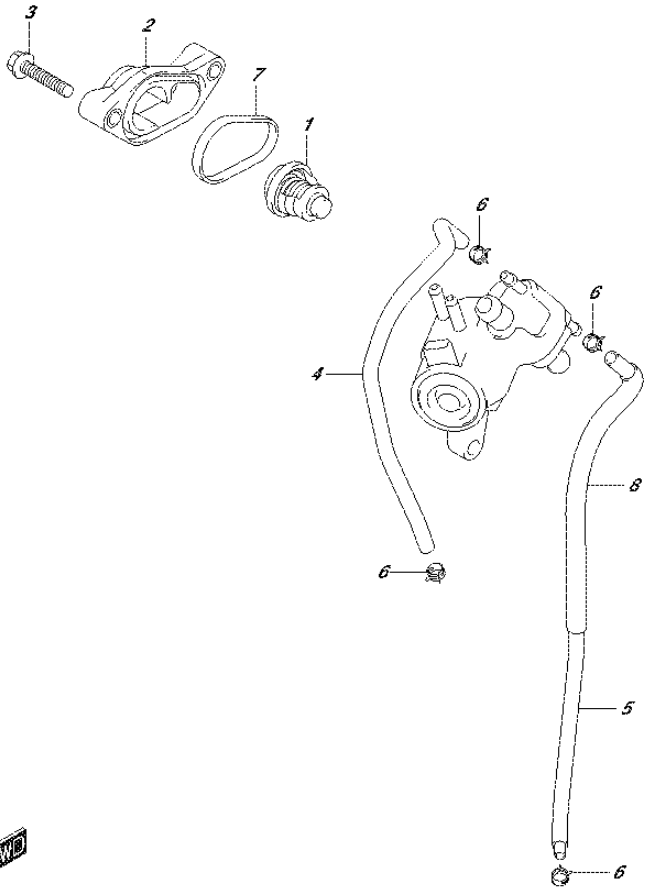


FIG.162A (1-B-13) THERMOSTAT

REF NO.	PART NO.	DESCRIPTION	Q'TY	REMARKS
1	17670-94J00	THERMOSTAT, WATER (60C)	1	
2	17680-94L00	COVER, THERMOSTAT	1	
3	01550-06307	BOLT	2	
4	17712-94L00	HOSE, WATER (COOLER TO IND)	1	
5	15211-91J00-350	HOSE, WATER (HOUSING TO COOLER)	1	
6	09401-08413	CLIP	4	
7	17685-94L00	SEAL, THERMOSTAT COVER	1	
8	18498-94JM0-170	PROTECTOR, WATER HOSE (170)	1	





FIG.163A

FIG.163A (1-B-14) THROTTLE BODY

REF NO.	PART NO.	DESCRIPTION	Q'TY	REMARKS
1	13300-94L00	BODY ASSY, THROTTLE	1	
2	01550-06207	BOLT	2	

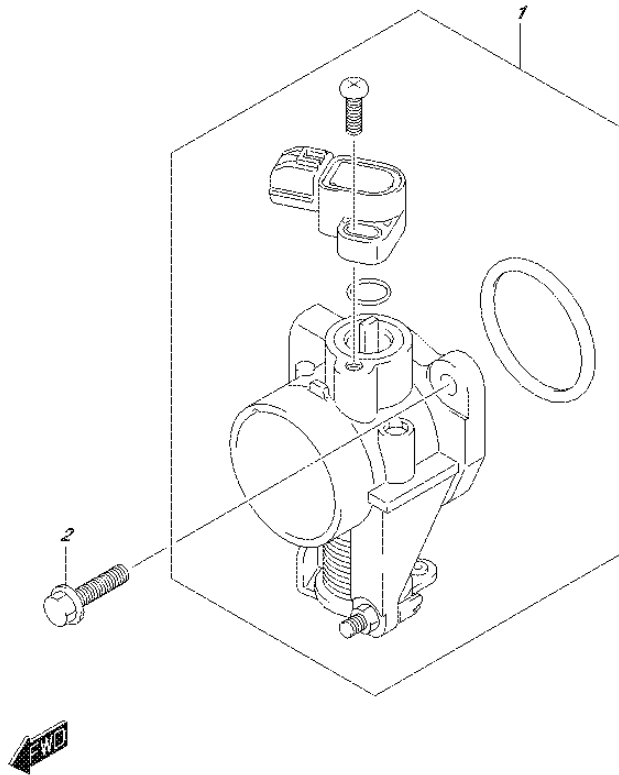


FIG.166A

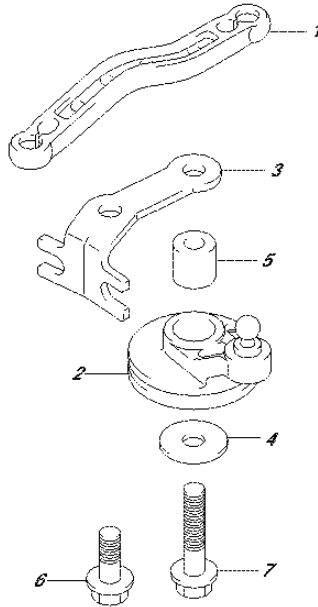


FIG.166A (1-B-15) THROTTLE CONTROL (DF25A P03)

REF NO.	PART NO.	DESCRIPTION	Q'TY	REMARKS
1	19137-94L00	ROD, THROTTLE NO.2	1	
2	19140-94L10	DRUM, THROTTLE CONTROL	1	
3	19184-94L00	HOLDER, THROTTLE CABLE	1	
4	09160-06046	WASHER (6.5X20X1.5)	1	
5	09180-06230	SPACER (6.2X12.6X12.5)	1	
6	01550-06167	BOLT	1	
7	01550-06307	BOLT	1	



FIG.166B

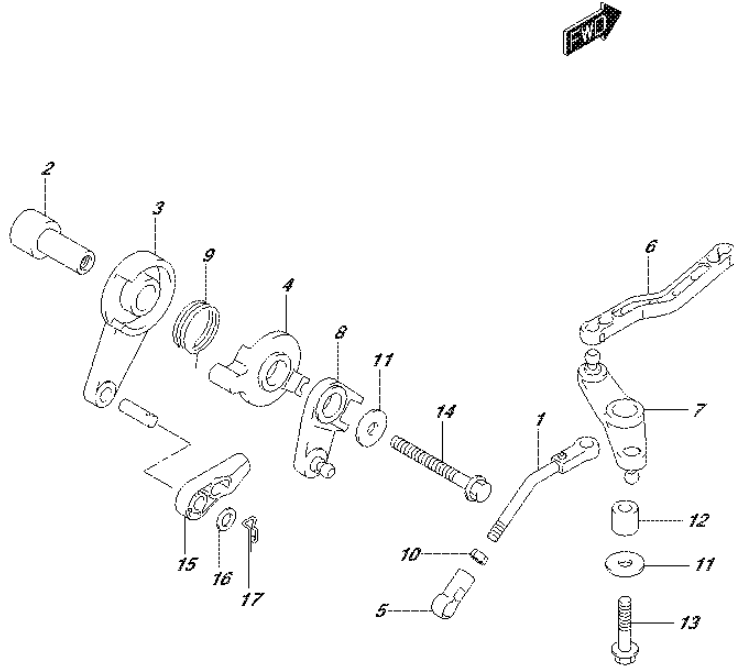


FIG.166B (1-C-2) THROTTLE CONTROL (DF25AR P03)

REF NO.	PART NO.	DESCRIPTION	Q'TY	REMARKS
1	13510-94L00	ROD, THROTTLE NO.1	1	
2	19116-94L00	HOLDER, THROTTLE LEVER	1	
3	19120-99J11	LEVER, THROTTLE CONTROL	1	
4	19122-99J00	LEVER, INTERLINK THROTTLE NO.2	1	
5	19131-95502	CONNECTOR	1	
6	19137-94L00	ROD, THROTTLE NO.2	1	
7	19140-94L00	LEVER, THROTTLE NO.2	1	
8	19140-94L20	LEVER, THROTTLE CONTROL NO.2	1	
9	19185-99J00	SPRING, THROTTLE LEVER	1	
10	09140-05005	NUT	1	
11	09160-06046	WASHER (6.5X20X1.5)	2	
12	09180-06230	SPACER (6.2X12.6X12.5)	1	
13	01550-06257	BOLT	1	
14	01550-06557	BOLT	1	
15	67467-89J01	CONNECTOR	1	
16	09160-06055	WASHER (7X12X1)	1	
17	09385-06012	CLIP	1	

FIG.167A

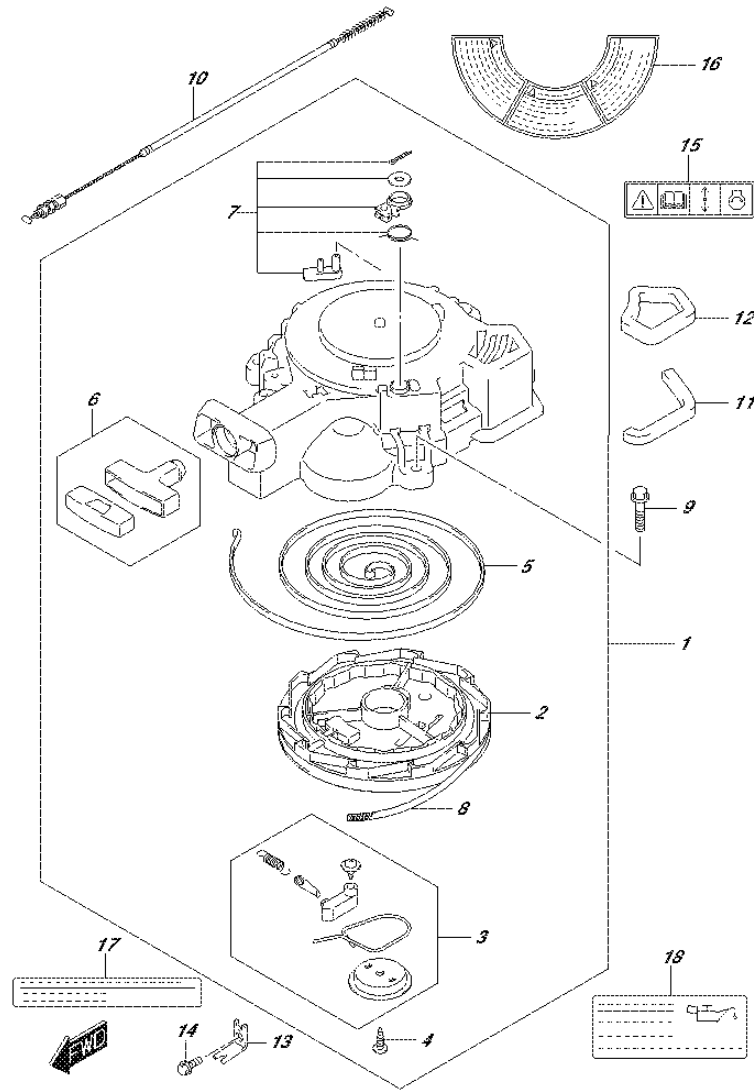


FIG.167A (1-C-3) RECOIL STARTER

REF NO.	PART NO.	DESCRIPTION	Q'TY	REMARKS
1	18100-94L00	STARTER ASSY, RECOIL	1	
2	18121-94JL0	.REEL	1	
3	18130-93E01	.RATCHET SET	1	
4	18132-89L00	.SCREW	1	
5	18142-93E00	.SPRING, SPIRAL	1	
6	18210-95L00	.GRIP ASSY	1	
7	18280-93E00	.NSI SET	1	
8	99000-81158-50M	STARTER ROPE 5MMDIA, 50M ROLE	1	OPT L:50000->1200
9	01550-06307	BOLT	3	
10	18290-94L00	CABLE ASSY, NSI	1	
11	18193-94L00	SEAL, AIR RECOIL LOWER	1	
12	18194-94L00	SEAL, AIR RECOIL UPPER	1	
13	18295-94L00	BRACKET, NSI CABLE	1	
14	01550-06167	BOLT	1	
15	69711-93E10	LABEL, S.I.G.P.	1	
16	61472-94J00	LABEL, RECOIL, STARTER	1	
17	61493-94L00	LABEL, CLEARANCE	1	
18	61494-94L00	LABEL, OIL	1	

FIG.175A

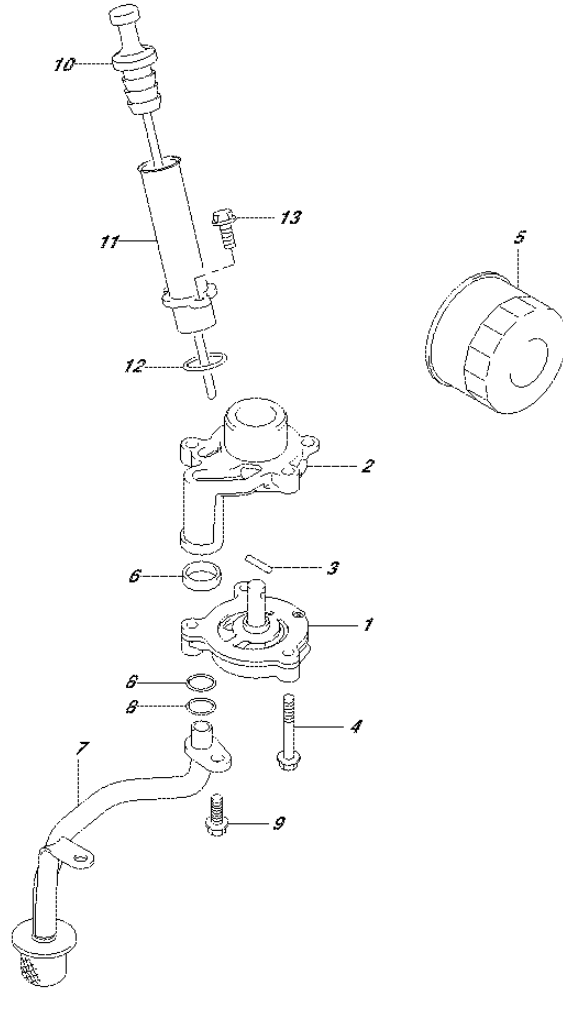


FIG.175A (1-C-4) OIL PUMP

REF NO.	PART NO.	DESCRIPTION	Q'TY	REMARKS
1	16400-94L00	PUMP ASSY, OIL	1	
2	16431-94L00	BLOCK, OIL GALLERY	1	
3	59262-94J00	PIN, OIL PUMP	1	
4	01547-0640A	BOLT	3	
5	16510-87JL0	FILTER ASSY, OIL	1	
6	16519-94L00	SEAL, ENGINE HOLDER	1	
7	16520-94L00	STRAINER, OIL	1	
8	09280-12012	O RING (D:2.4,ID:11.8)	2	
9	01550-0616A	BOLT	2	
10	16910-94L00	GAUGE, OIL LEVEL	1	
11	16930-94L00	GUIDE, OIL LEVEL GAUGE	1	
12	09280-21008	O RING (D:2.5,ID:21)	1	
13	01550-06167	BOLT	2	

FIG.206A

FIG.206A (1-C-5) CLUTCH ROD (DF25A P03)

REF NO.	PART NO.	DESCRIPTION	Q'TY	REMARKS
1	21111-89L00	LEVER, CLUTCH	1	
2	21122-94L00	PLATE, CLUTCH NOTCH	1	
3	21151-94L00	HOLDER, CLUTCH SHAFT	1	
4	21210-94L00	SHAFT, CLUTCH LEVER	1	
5-1	23111-94L00	ROD, CLUTCH (S)	1	W/TRANSOM(S)
5-2	23111-94L10	ROD, CLUTCH (L)	1	W/TRANSOM(L)
6	23115-94L00	LINK, CLUTCH LEVER	1	
7	23211-94L00	ARM, CLUTCH ROD	1	
8	09204-01002	PIN	1	
9	09116-06234	BOLT (6X35)	1	
10	09160-06046	WASHER (6.5X20X1.5)	1	
11	09160-06082	WASHER (6.5X13X1.0)	1	
12	09160-06094	WASHER (6.5X15X1.5)	1	
13	09160-14071	WASHER, CLUTCH SHAFT	1	
14	09164-14008	WASHER	2	
15	09180-06186	SPACER (6.2X12.6X21)	1	
16	09180-06362	SPACER (6.5X10.5X4)	1	
17	09205-04002	SPRING PIN (4X20)	1	
18	09260-10006	BALL	1	
19	09381-14004	CIRCLIP	1	
20	09383-04002	E RING	1	
21	09440-07080	SPRING	1	
22	01550-06127	BOLT	1	
23	01550-06257	BOLT	2	
24	02112-06127	SCREW	2	
25	37724-99J00	ROD, SWITCH PUSH	1	

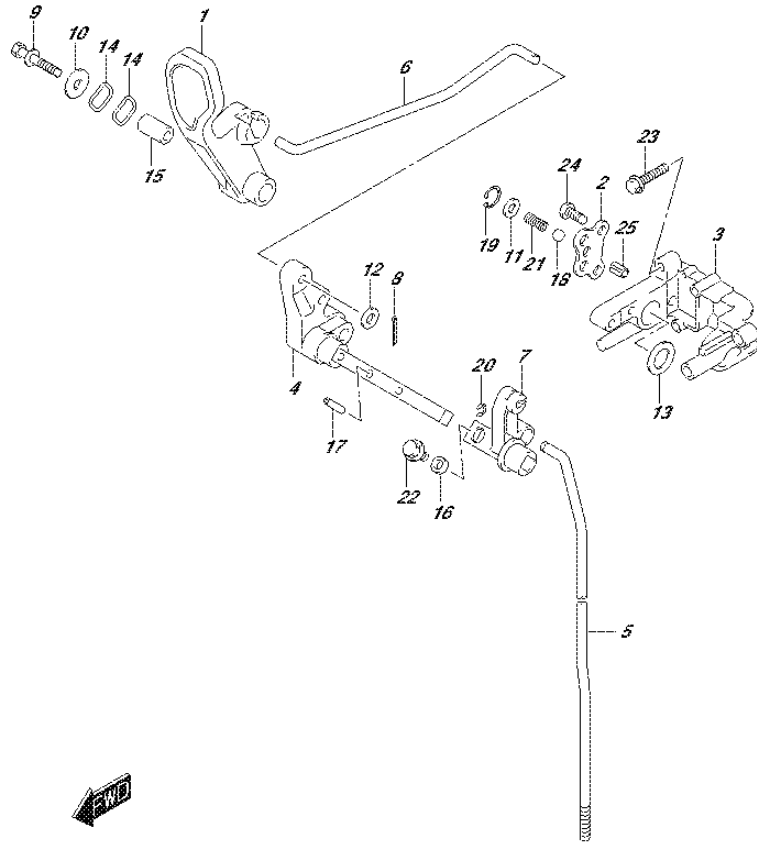


FIG.206B

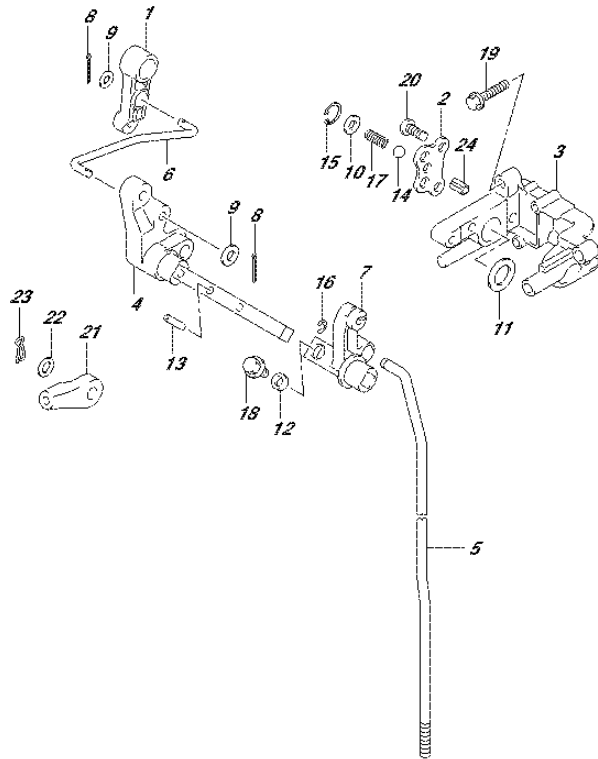


FIG.206B (1-C-6) CLUTCH ROD (DF25AR P03)

REF NO.	PART NO.	DESCRIPTION	Q'TY	REMARKS
1	21110-94L00	LEVER, CLUTCH CONTROL	1	
2	21122-94L00	PLATE, CLUTCH NOTCH	1	
3	21151-94L00	HOLDER, CLUTCH SHAFT	1	
4	21210-94L00	SHAFT, CLUTCH LEVER	1	
5-1	23111-94L00	ROD, CLUTCH (S)	1	W/TRANSOM(S)
5-2	23111-94L10	ROD, CLUTCH (L)	1	W/TRANSOM(L)
6	23115-94L10	LINK, CLUTCH LEVER	1	
7	23211-94L00	ARM, CLUTCH ROD	1	
8	09204-01002	PIN	2	
9	09160-05029	WASHER (5.5X12X0.8)	2	
10	09160-06082	WASHER (6.5X13X1.0)	1	
11	09160-14071	WASHER, CLUTCH SHAFT	1	
12	09180-06362	SPACER (6.5X10.5X4)	1	
13	09205-04002	SPRING PIN (4X20)	1	
14	09260-10006	BALL	1	
15	09381-14004	CIRCLIP	1	
16	09383-04002	E RING	1	
17	09440-07080	SPRING	1	
18	01550-06127	BOLT	1	
19	01550-06257	BOLT	2	
20	02112-06127	SCREW	2	
21	67467-89J01	CONNECTOR	1	
22	09160-06055	WASHER (7X12X1)	1	
23	09385-06012	CLIP	1	
24	37724-99J00	ROD, SWITCH PUSH	1	



FIG.210A

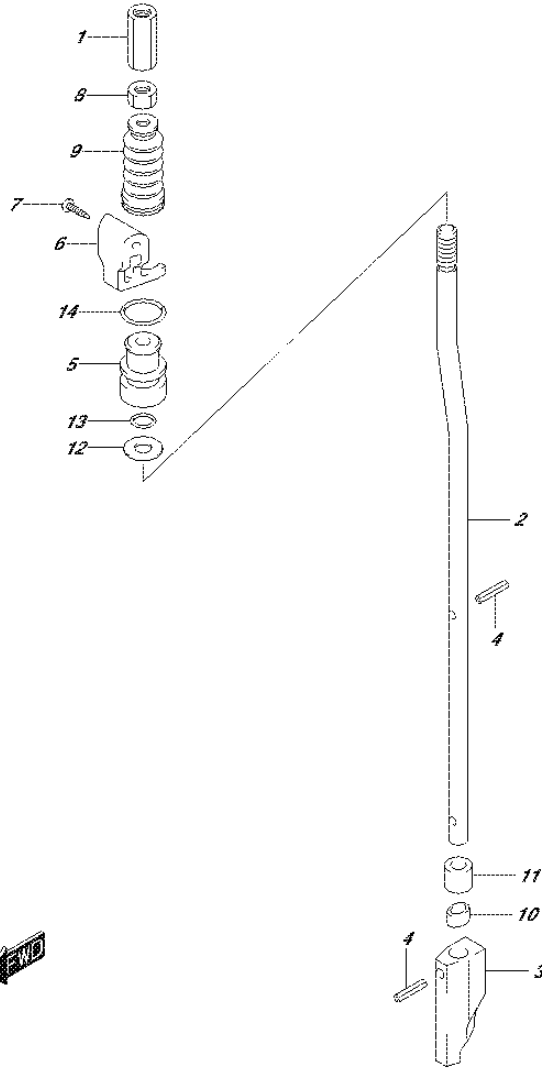


FIG.210A (1-C-7) SHIFT ROD

REF NO.	PART NO.	DESCRIPTION	Q'TY	REMARKS
1	23311-95J00	CONNECTOR, CLUTCH ROD	1	
2	25111-94L00	ROD, SHIFT(S&L)	1	
3	25311-94L00	CAM, SHIFT	1	
4	09205-02004	SPRING PIN (2.5X12)	2	
5	25211-94L00	GUIDE, SHIFT ROD	1	
6	25215-94L00	STOPPER, SHIFT ROD GUIDE	1	
7	03142-0416C	SCREW, SHIFT ROD GUIDE STOPPER	2	
8	29141-93J00	NUT	1	
9	25222-94L00	BOOT, SHIFT ROD	1	
10	25231-96301	HOLDER, MAGNETO	1	
11	25232-96302	MAGNETO, GEAR CASE	1	
12	09160-06082	WASHER (6.5X13X1.0)	1	
13	09280-06012	O RING (D:1.7,ID:5.8)	1	
14	09280-13005	O RING (D:3.5,ID:12.8)	1	



FIG.220A

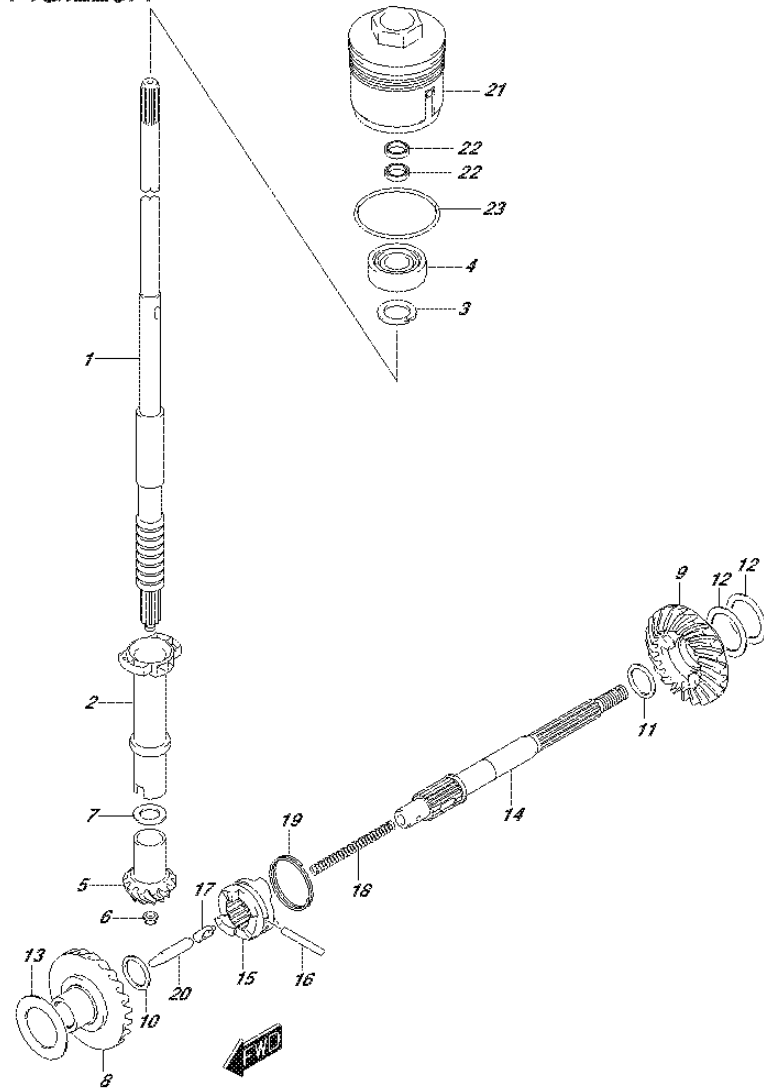


FIG.220A (1-C-8) TRANSMISSION

REF NO.	PART NO.	DESCRIPTION	Q'TY	REMARKS
1-1	57110-94L00	SHAFT, DRIVE (S) (NT:10)	1	W/TRANSOM(S)
1-2	57110-94L10	SHAFT, DRIVE (L) (NT:10)	1	W/TRANSOM(L)
2	57133-94L00	COLLAR, DRIVE SHAFT	1	
3	09166-17005	WASHER	1	
4	09265-17002	BEARING (17X40X17.25)	1	
5	57311-91L00	PINION	1	
6	09159-08046	NUT	1	
7-1	09160-15030	WASHER (T:1.7)	1	
7-2	09160-15031	WASHER (T:1.8)	1	
7-3	09160-15032	WASHER (T:1.9)	1	
7-4	08211-15203	WASHER (T:2.0)	1	
7-5	09160-15033	WASHER (T:2.1)	1	
7-6	08211-15204	WASHER (T:2.2)	1	
7-7	09160-15053	WASHER (T:2.3)	1	
7-8	09160-15054	WASHER (T:2.4)	1	
8	57510-94L00	GEAR, FORWARD (NT:23)	1	
9	57521-94L00	GEAR, REVERSE (NT:23)	1	
10	09181-16008	SHIM (16X24X2)	1	FWD
11-1	09160-20068	WASHER (T:1.6)	1	REV
11-2	09160-20069	WASHER (T:1.8)	1	REV
11-3	09160-20070	WASHER (T:2.0)	1	REV
11-4	09160-20071	WASHER (T:2.2)	1	REV
11-5	09160-20072	WASHER (T:2.4)	1	REV
11-6	09160-20073	WASHER (T:2.6)	1	REV
12-1	08221-30404	SHIM (T:0.2)	2	REV
12-2	09181-30158	SHIM (T:0.5)	1	REV
12-3	09181-30162	SHIM (T:0.8)	1	REV

FIG.220A

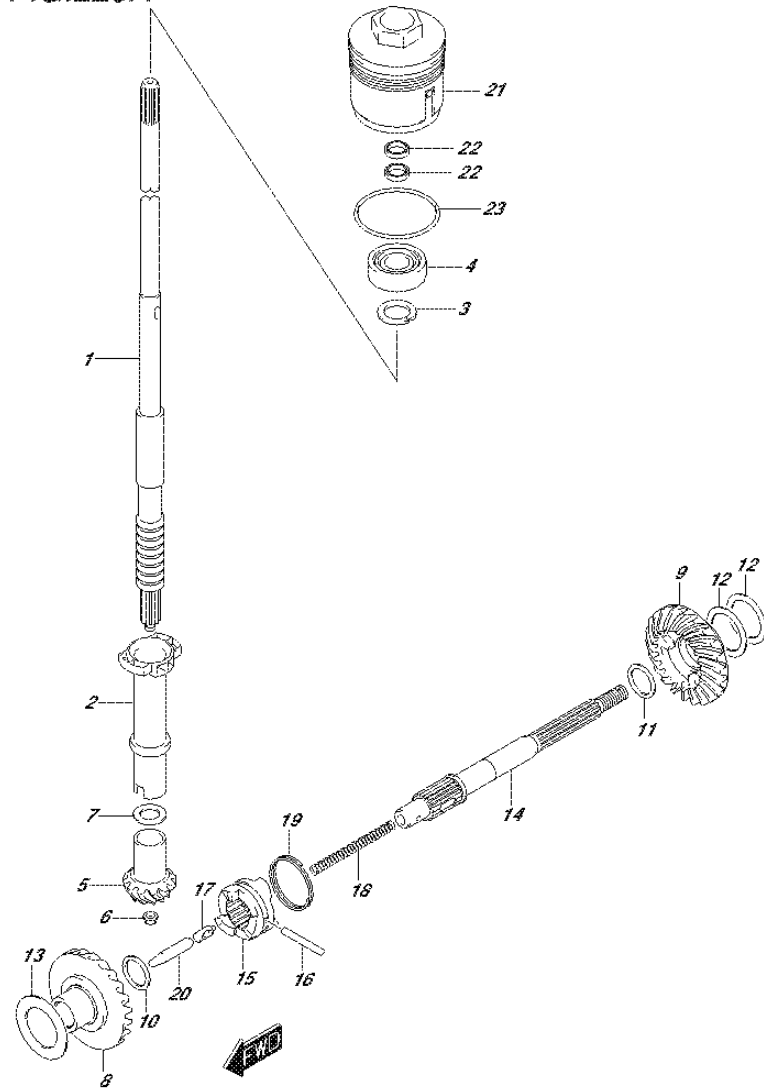


FIG.220A (1-C-9) TRANSMISSION

REF NO.	PART NO.	DESCRIPTION	Q'TY	REMARKS
13-1	09181-25190	SHIM (T:0.8)	1	FWD
13-2	09181-25248	SHIM (T:0.9)	1	FWD
13-3	09181-25251	SHIM (T:1.0)	1	FWD
13-4	09160-25032	WASHER (T:1.1)	1	FWD
13-5	09160-25033	WASHER (T:1.2)	1	FWD
13-6	09160-25034	WASHER (T:1.3)	1	FWD
13-7	09160-25035	WASHER (T:1.4)	1	FWD
13-8	09181-25268	SHIM (T:1.5)	1	FWD
14	57610-96311	SHAFT, PROPELLER	1	
15	57621-91L10	SHIFTER, CLUTCH DOG	1	
16	09202-05021	PIN (5X34)	1	
17	09209-08016	PIN	1	
18	09440-07074	SPRING	1	
19	09440-35004	SPRING	1	
20	57631-95JL0	ROD, PUSH	1	
21	56130-94L00	HOUSING, DRIVE SHAFT OIL SEAL	1	
22	09282-17006	.OIL SEAL (17X30X4.5)	2	
23	09280-50009	O RING, DRIVE SHAFT OIL SEAL	1	

FIG.301A

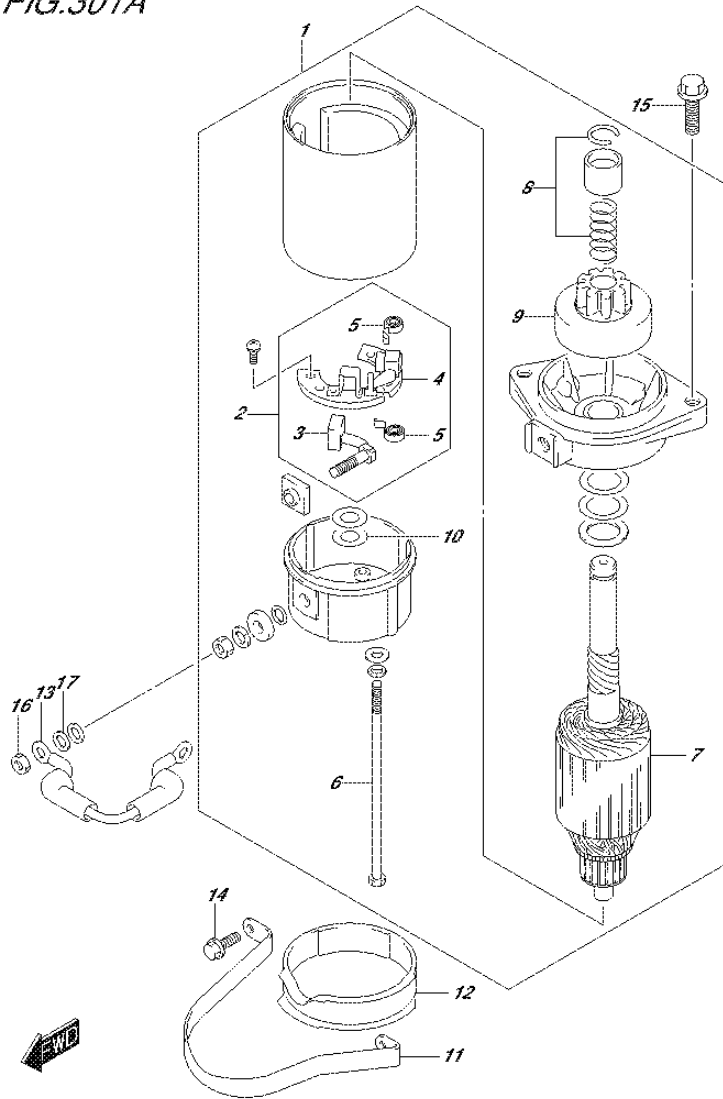


FIG.301A (1-C-10) STARTING MOTOR

REF NO.	PART NO.	DESCRIPTION	Q'TY	REMARKS
1	31100-94401	MOTOR ASSY, STARTING	1	
2	31173-89J00	.HOLDER ASSY, BRUSH	1	
3	31131-96300	..BRUSH (+)	1	
4	31132-96300	..BRUSH (-)	1	
5	31135-89J00	..SPRING	2	
6	31281-93340	.BOLT, THROUGH	2	
7	31310-96300	.ARMATURE	1	
8	31312-96300	.STOPPER SET, PINION	1	
9	31320-94400	.PINION ASSY	1	
10	31360-96300	.WASHER SET	1	
11	31912-94L00	BAND, STARTER MOTOR	1	
12	31918-94401	DAMPER, LOWER	1	
13	33820-89E01	CABLE, PLUS TERM TO RELAY	1	
14	01550-06167	BOLT	2	
15	01550-08257	BOLT	2	
16	08310-00067	NUT	1	
17	08321-01067	WASHER, LOCK	1	

FIG.303A

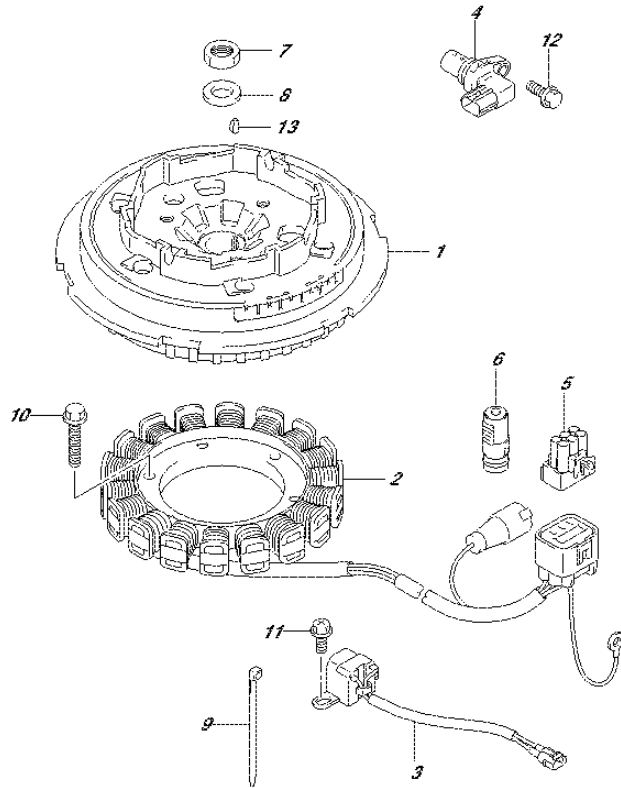


FIG.303A (1-C-11) MAGNETO (MANUAL STARTER)

REF NO.	PART NO.	DESCRIPTION	Q'TY	REMARKS
1	32102-94L00	FLYWHEEL, MAGNETO	1	
2	32120-94L00	COIL, STATOR	1	
3	32160-94L00	COIL, IGNITION TIMING	1	
4	33220-50M00	SENSOR ASSY, POSITION	1	
5	36690-94L00	CONNECTOR ASSY, DUMMY	1	
6	36690-94L10	CONNECTOR ASSY, DUMMY	1	
7	09140-14008	NUT	1	
8	09160-15057	WASHER (15X27X4)	1	
9	09407-14407	CLAMP (L:145)	1	
10	01547-0625A	BOLT	3	
11	01550-05127	BOLT	2	
12	01550-06167	BOLT	1	
13	08341-31039	KEY	1	



FIG.303B

FIG.303B (1-C-12) MAGNETO (ELECTRIC STARTER)

REF NO.	PART NO.	DESCRIPTION	Q'TY	REMARKS
1	32102-94L10	FLYWHEEL, MAGNETO	1	
2	32120-94L00	COIL, STATOR	1	
3	32160-94L00	COIL, IGNITION TIMING	1	
4	33220-50M00	SENSOR ASSY, POSITION	1	
5	09140-14008	NUT	1	
6	09160-15057	WASHER (15X27X4)	1	
7	09407-14407	CLAMP (L:145)	1	
8	01547-0625A	BOLT	3	
9	01550-05127	BOLT	2	
10	01550-06167	BOLT	1	
11	08341-31039	KEY	1	

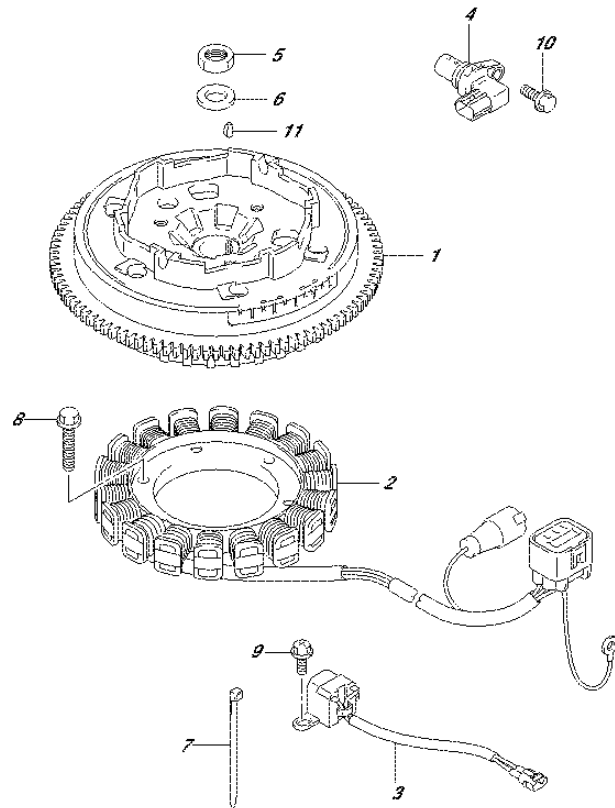
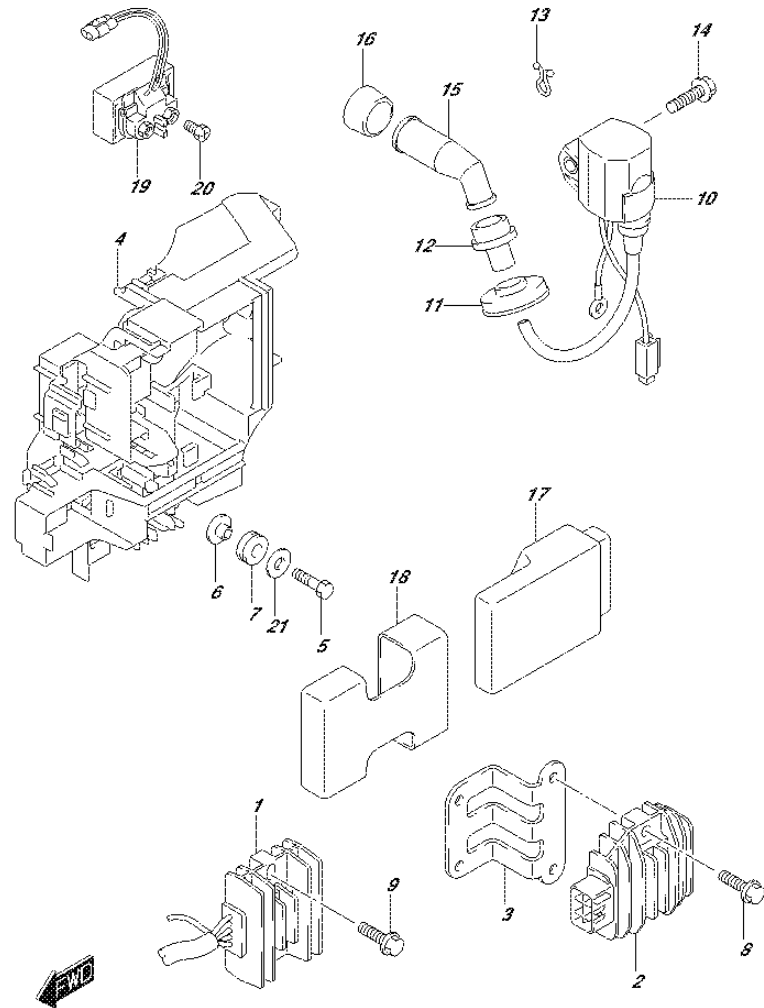


FIG.310A

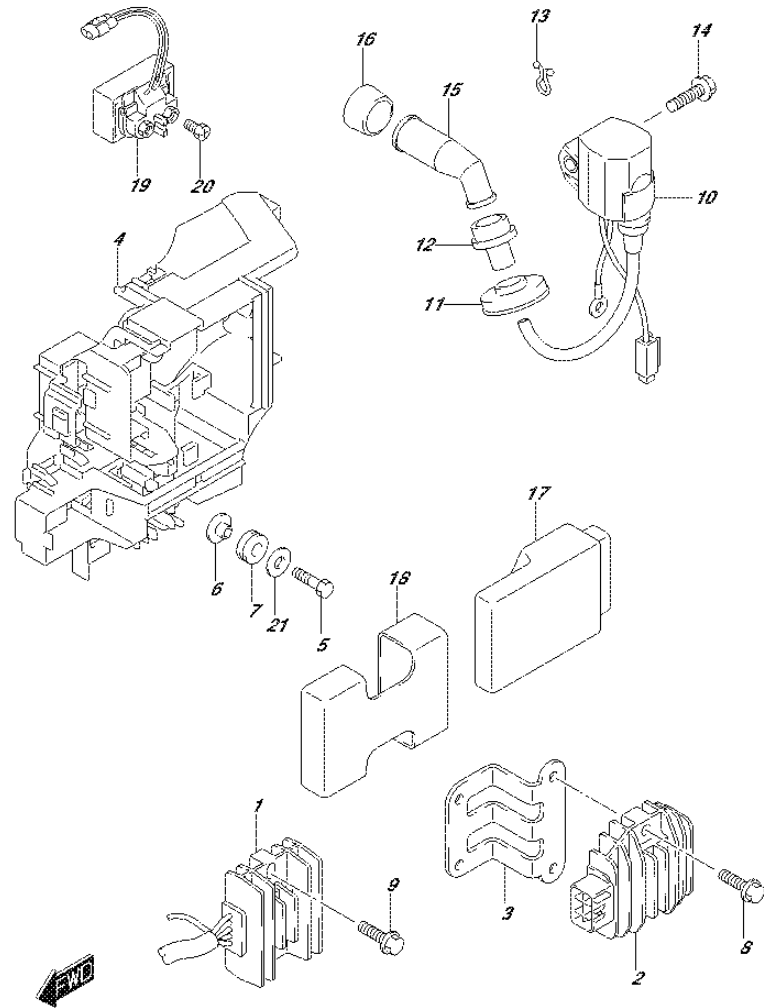
FIG.310A (1-C-13) RECTIFIER/IGNITION COIL (DF25A P03)



REF NO.	PART NO.	DESCRIPTION	Q'TY	REMARKS
1	32800-94L00	RECTIFIER & REGULATOR ASSY	1	
2	32800-88L00	RECTIFIER & REGULATOR ASSY	1	W/ELECTRIC STARTER
3	32815-94L00	BRACKET, RECTIFIER	1	W/ELECTRIC STARTER
4	32890-94L00	HOLDER, ELECTRIC PARTS	1	
5	01550-06207	BOLT	3	
6	09169-06063	WASHER	3	
7	09320-08051	CUSHION	3	
8	01550-06207	BOLT	2	W/ELECTRIC STARTER
9	01550-06257	BOLT	2	
10	33410-94L00	COIL, IGNITION	3	
11	33446-94L00	PROTECTOR, HIGH TENSION CORD	3	
12	33542-16H00	SEAL, HIGH TENSION CORD	3	
13	09408-00020	CLIP	2	
14	01550-06207	BOLT	3	
15	33510-16H10	CAP ASSY, SPARK PLUG	3	
16	33541-16H00	SEAL, SPARK PLUG	3	
17	33920-94L00	UNIT, ENGINE CONTROL	1	
18	33925-94L00	CUSHION, ENGINE CONTROL UNIT	1	
19	31800-94L00	RELAY ASSY, STARTER MOTOR	1	W/ELECTRIC STARTER
20	09128-06013	SCREW (6X8)	2	W/ELECTRIC STARTER
21	08322-01067	WASHER	3	

FIG.310B

FIG.310B (1-C-14) RECTIFIER/IGNITION COIL (DF25AR P03)



REF NO.	PART NO.	DESCRIPTION	Q'TY	REMARKS
1	32800-94L00	RECTIFIER & REGULATOR ASSY	1	
2	32800-88L00	RECTIFIER & REGULATOR ASSY	1	
3	32815-94L00	BRACKET, RECTIFIER	1	
4	32890-94L00	HOLDER, ELECTRIC PARTS	1	
5	01550-06207	BOLT	3	
6	09169-06063	WASHER	3	
7	09320-08051	CUSHION	3	
8	01550-06207	BOLT	2	
9	01550-06257	BOLT	2	
10	33410-94L00	COIL, IGNITION	3	
11	33446-94L00	PROTECTOR, HIGH TENSION CORD	3	
12	33542-16H00	SEAL, HIGH TENSION CORD	3	
13	09408-00020	CLIP	2	
14	01550-06207	BOLT	3	
15	33510-16H10	CAP ASSY, SPARK PLUG	3	
16	33541-16H00	SEAL, SPARK PLUG	3	
17	33920-94L00	UNIT, ENGINE CONTROL	1	
18	33925-94L00	CUSHION, ENGINE CONTROL UNIT	1	
19	31800-94L00	RELAY ASSY, STARTER MOTOR	1	
20	09128-06013	SCREW (6X8)	2	
21	08322-01067	WASHER	3	

FIG.322A

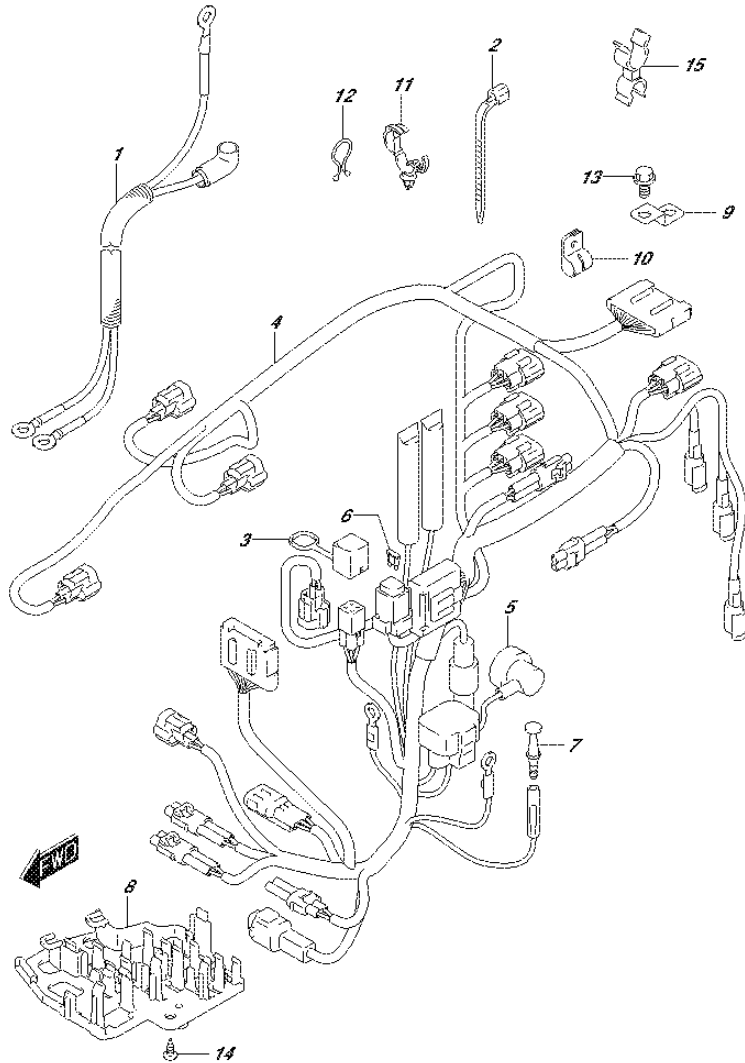


FIG.322A (1-C-15) HARNESS (DF25A P03)

REF NO.	PART NO.	DESCRIPTION	Q'TY	REMARKS
1	33810-94L00	CABLE, STARTER	1	W/ELECTRIC STARTER
2	09407-18402	CLAMP (L:165)	1	W/ELECTRIC STARTER
3	33634-94L00	CAP, SERVICE CONNECTOR	1	
4-1	36610-94L00	HARNESS ASSY, WIRING	1	W/MANUAL STARTER
4-2	36610-94L10	HARNESS ASSY, WIRING	1	W/ELECTRIC STARTER
5	36618-43410	.CAP, OIL PRESSURE SWITCH	1	W/ELECTRIC STARTER
6	09481-30501	.FUSE (30A)	1	W/ELECTRIC STARTER
7	36615-96300	TERMINAL	1	
8	36616-94L00	HOLDER, CONNECTOR	1	
9	36617-93J10	BRACKET, HARNESS	1	
10	09403-08404	CLAMP	1	
11	09403-20308	CLAMP	2	
12	09408-00008	CLIP (ID:20)	3	
13	01550-06127	BOLT	1	
14	03542-05169	SCREW	2	
15	09408-00054	CLAMP, HARNESS	1	



FIG.322B

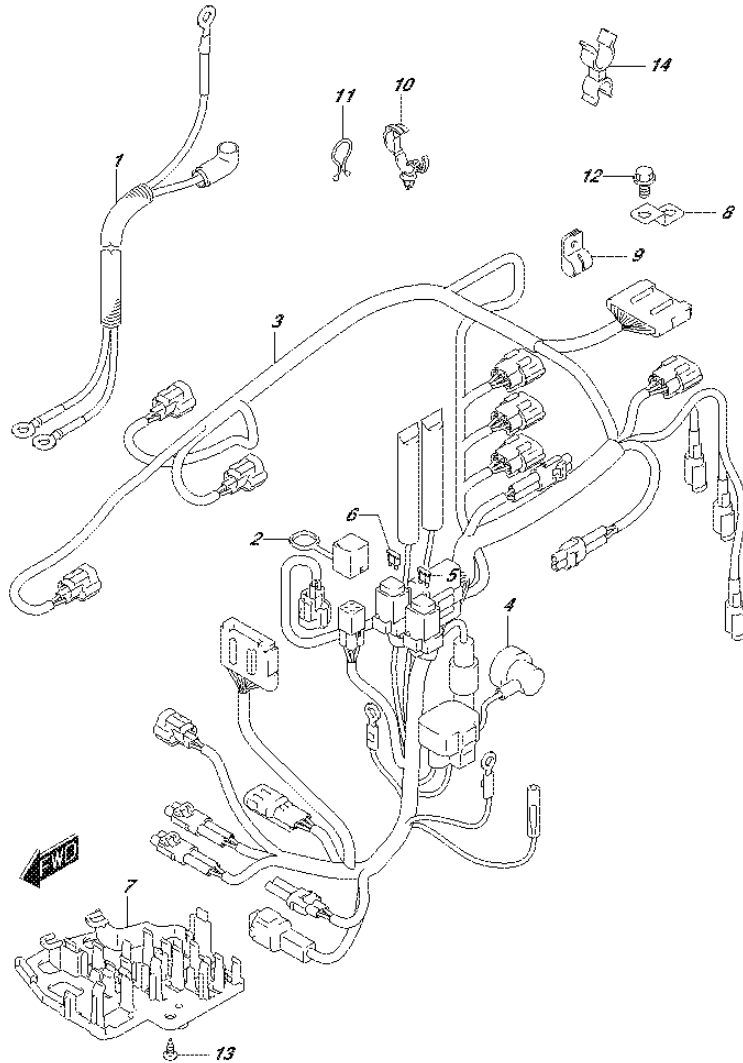


FIG.322B (1-D-2) HARNESS (DF25AR P03)

REF NO.	PART NO.	DESCRIPTION	Q'TY	REMARKS
1	33810-94L00	CABLE, STARTER	1	
2	33634-94L00	CAP, SERVICE CONNECTOR	1	
3	36610-94L20	HARNESS ASSY, WIRING	1	
4	36618-43410	.CAP, OIL PRESSURE SWITCH	1	
5	09481-10501	.FUSE (10A)	1	
6	09481-30501	.FUSE (30A)	1	
7	36616-94L00	HOLDER, CONNECTOR	1	
8	36617-93J10	BRACKET, HARNESS	1	
9	09403-08404	CLAMP	1	
10	09403-20308	CLAMP	2	
11	09408-00008	CLIP (ID:20)	3	
12	01550-06127	BOLT	1	
13	03542-05169	SCREW	2	
14	09408-00054	CLAMP, HARNESS	1	

FIG.334A

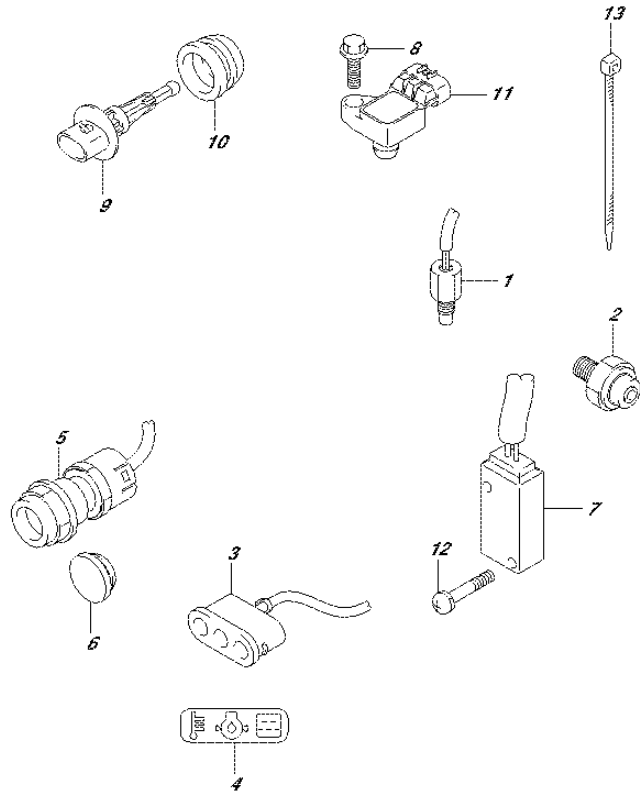


FIG.334A (1-D-3) SENSOR/SWITCH (DF25A P03)

REF NO.	PART NO.	DESCRIPTION	Q'TY	REMARKS
1	13640-32G20	SENSOR, ENGINE TEMP	1	
2	37820-80001	SWITCH ASSY, OIL PRESSURE	1	
3	36360-94L00	INDICATOR, WARNING	1	
4	36367-89L00	LABEL, WARNING	1	
5	37161-89L00	SWITCH ASSY, STARTER MOTOR	1	W/ELECTRIC STARTER
6	37163-89L00	PLUG, STARTING SWITCH HOLE	1	W/MANUAL STARTER
7	37721-94L00	SWITCH ASSY, NEUTRAL	1	
8	01550-06207	BOLT	1	
9	13650-52G00	SENSOR, INLET AIR TEMP	1	
10	13655-87J00	GROMMET, AIR TEMP SENSOR	1	
11	18590-58M00	SENSOR, PRESSURE	1	
12	09137-03008	SCREW, NEUTRAL SWITCH	2	
13	09407-14407	CLAMP (L:145)	1	

FIG.334B

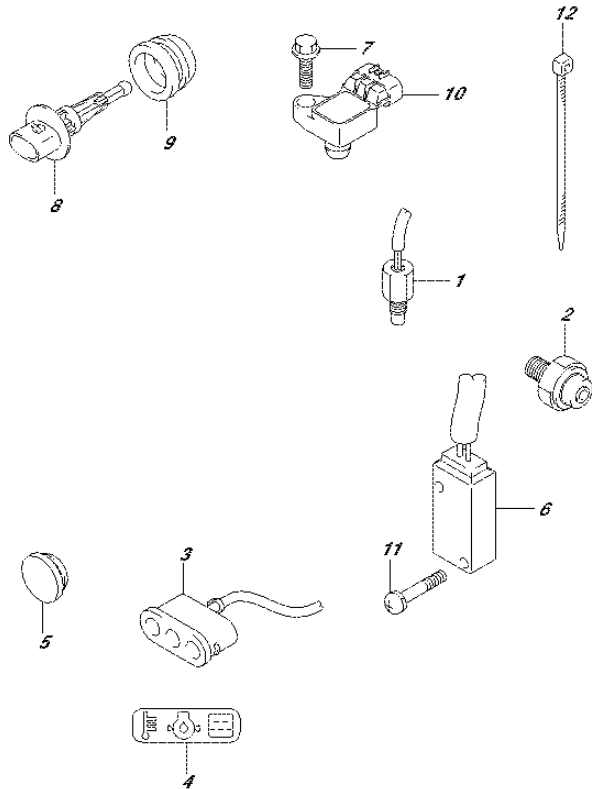


FIG.334B (1-D-4) SENSOR/SWITCH (DF25AR P03)

REF NO.	PART NO.	DESCRIPTION	Q'TY	REMARKS
1	13640-32G20	SENSOR, ENGINE TEMP	1	
2	37820-80001	SWITCH ASSY, OIL PRESSURE	1	
3	36360-94L00	INDICATOR, WARNING	1	
4	36367-89L00	LABEL, WARNING	1	
5	37163-89L00	PLUG, STARTING SWITCH HOLE	1	
6	37721-94L00	SWITCH ASSY, NEUTRAL	1	
7	01550-06207	BOLT	1	
8	13650-52G00	SENSOR, INLET AIR TEMP	1	
9	13655-87J00	GROMMET, AIR TEMP SENSOR	1	
10	18590-58M00	SENSOR, PRESSURE	1	
11	09137-03008	SCREW, NEUTRAL SWITCH	2	
12	09407-14407	CLAMP (L:145)	1	



FIG.335A

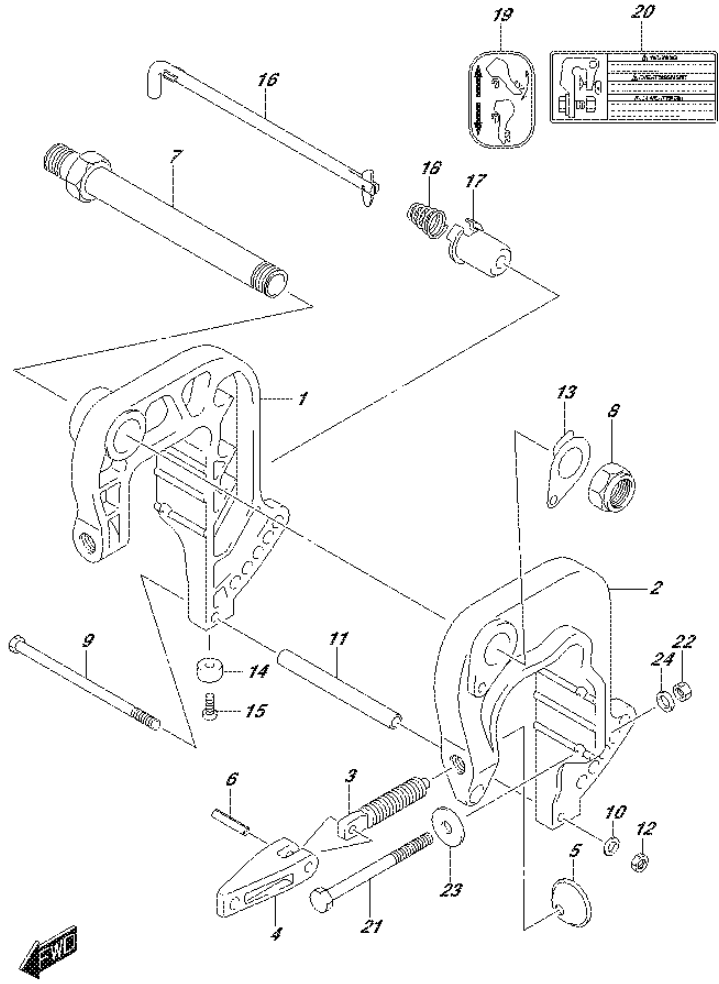


FIG.335A (1-D-5) CLAMP BRACKET

REF NO.	PART NO.	DESCRIPTION	Q'TY	REMARKS
1	41111-94L00-OEP	BRACKET, CLAMP STBD (BLACK)	1	
2	41121-94L00-OEP	BRACKET, CLAMP PORT (BLACK)	1	
3	41211-94L00	SCREW, CLAMP	2	
4	41212-91J00	HANDLE, CLAMP	2	
5	41213-94J01	PLATE, CLAMP	2	
6	09205-06021	PIN, SPRING (6X25)	2	
7	41130-91L00	SHAFT, CLAMP BRACKET	1	
8	09159-22006	NUT	1	
9	09100-06165	BOLT (6X180)	1	
10	09160-06082	WASHER (6.5X13X1.0)	1	
11	09180-06342	SPACER (6.1X9X138)	1	
12	29141-93J00	NUT	1	
13	41135-93J11	WASHER, CLAMP BRACKET SHAFT	1	
14-1	55321-87J00	ANODE, PROTECTION	2	
14-2	55321-87J10	ANODE, MAGNESIUM	1	OPT
15	09103-06281	BOLT (6X14)	2	
16	45420-94L00	PIN, TILT LOCK	1	
17	45425-94J01	STOPPER, TILT LOCK PIN	1	
18	59442-94L00	SPRING	1	
19	45269-89L00	MARK, REVERSE LOCK	1	
20	69911-91J00	MARK, CLAMP BRACKET	1	
21	09100-10309	BOLT (10X110)	2	
22	09159-10050	NUT	2	
23	09160-10139	WASHER (10.5X35X3)	2	
24	09160-10140	WASHER (10.5X18X3)	2	

FIG.336A

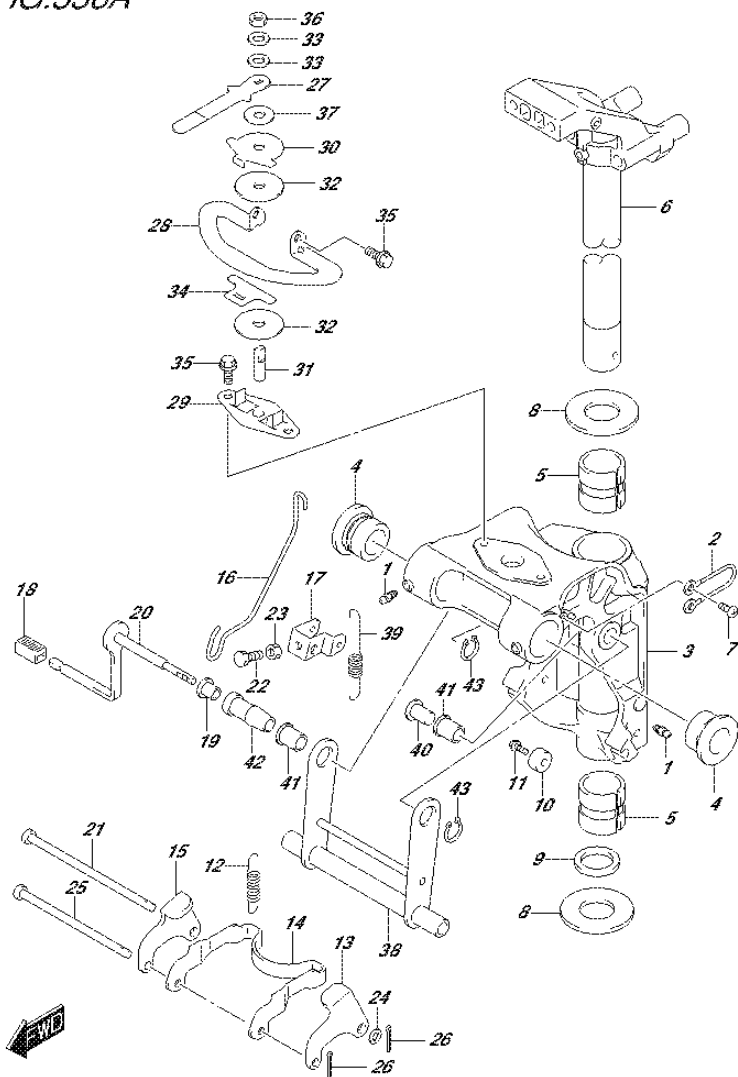


FIG.336A (1-D-6) SWIVEL BRACKET (DF25A P03)

REF NO.	PART NO.	DESCRIPTION	Q'TY	REMARKS
1	22511-99011	NIPPLE, GREASE	4	
2	36894-87D00	LEAD (L:165)	1	
3-1	43111-94L00-0EP	BRACKET, SWIVEL (S) (BLACK)	1	W/TRANSOM(S)
3-2	43111-94L10-0EP	BRACKET, SWIVEL (L) (BLACK)	1	W/TRANSOM(L)
4	43211-87JL0	BUSH, SWIVEL BRACKET	2	
5	43711-94L00	BUSH, STEERING	2	
6-1	43750-94L00-0EP	BRACKET, STEERING (S) (BLACK)	1	W/TRANSOM(S)
6-2	43750-94L10-0EP	BRACKET, STEERING (L) (BLACK)	1	W/TRANSOM(L)
7	09125-06063	SCREW (6X10)	2	
8	09160-30057	WASHER, PILOT SHAFT	2	
9	09282-30008	SEAL, STRG UNDER BUSH	1	
10-1	55321-87J00	ANODE, PROTECTION	1	W/TRANSOM(L)
10-2	55321-87J10	ANODE, MAGNESIUM	1	OPT
11	09103-06281	BOLT (6X14)	1	W/TRANSOM(L)
12	45211-94L00	SPRING, REVERSE LOCK ARM	2	
13	45221-94L00	LINK, REVERSE LOCK ARM PORT	1	
14	45231-94L00	ARM, REVERSE LOCK	1	
15	45241-94L00	LINK, REVERSE LOCK ARM STBD	1	
16	45252-94L00	LINK, RELEASE LEVER	1	
17	45253-94L00	ARM, RELEASE	1	
18	45255-94L00	RUBBER, RELEASE LEVER	1	
19	45257-94L00	BUSH, RELEASE LEVER	1	
20	45260-94L00	LEVER, RELEASE	1	
21	59211-94L00	PIN, REVERSE LOCK ARM LINK	1	
22	09100-06113	BOLT (6X16)	1	
23	09140-06020	NUT	1	
24	09160-06082	WASHER (6.5X13X1.0)	1	
25	09200-06072	PIN, REVERSE LOCK ARM	1	
26	09204-01002	PIN	2	
27	43411-89L00	LEVER, STEERING ADJUSTER	1	
28	43415-94L00	PLATE, STRG ADJ (H)	1	
29	43420-89L00	PLATE, STRG ADJUSTER FRICTION	1	
30	43425-89L00	PLATE, STRG ADJUSTER UPR	1	

FIG.336A

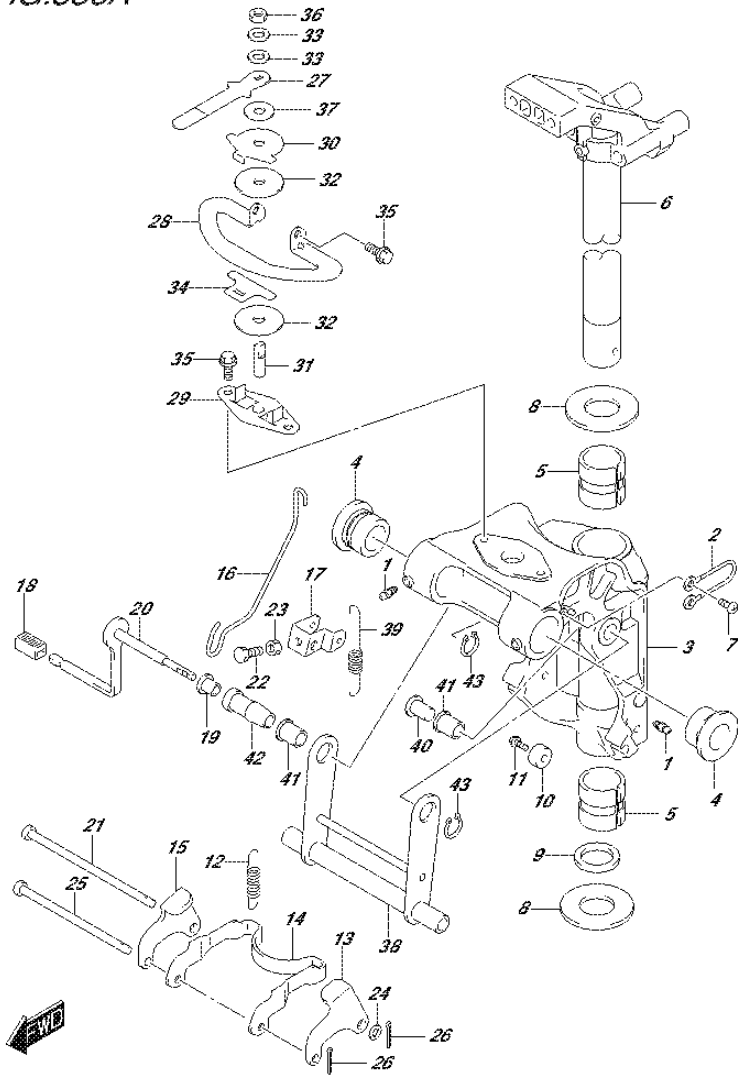
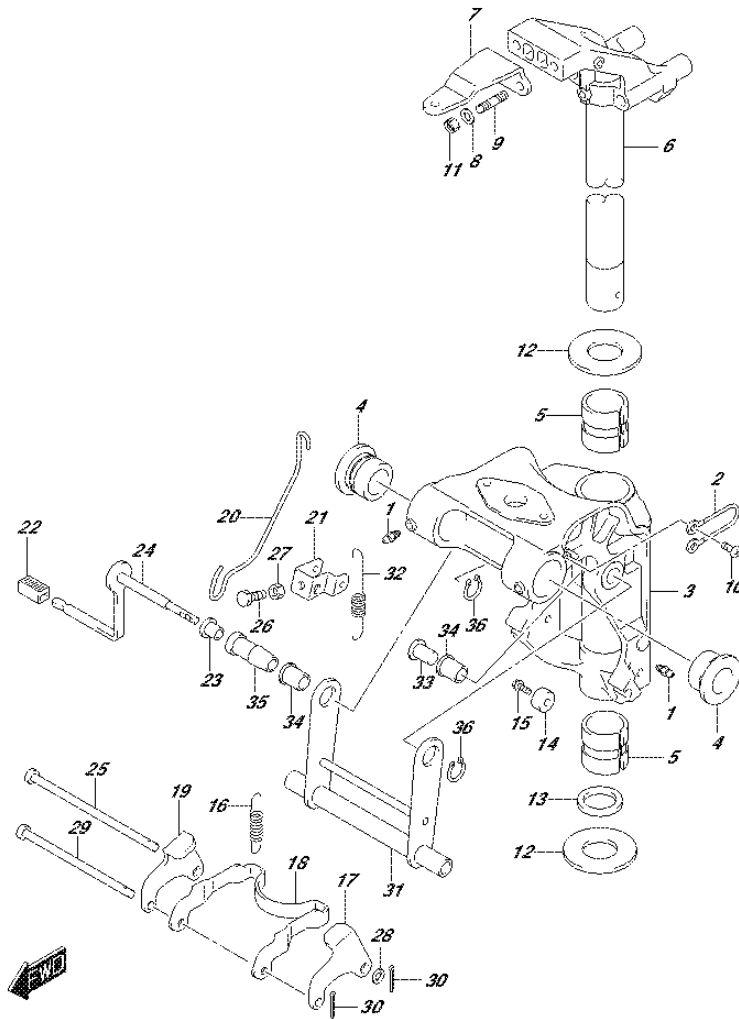


FIG.336A (1-D-7) SWIVEL BRACKET (DF25A P03)

REF NO.	PART NO.	DESCRIPTION	Q'TY	REMARKS
31	43512-89L00	SHAFT, STRG ADJUSTER THREAD	1	
32	43515-88L00	WASHER, STRG ADJ FRICTION PLATE	2	
33	43516-89J00	WASHER, STEERING ADJUSTER	2	
34	43517-89L00	SPACER, STEERING ADJUSTER	1	
35	09116-06225	BOLT (6X15)	4	
36	09159-08L02	NUT	1	
37	09161-08019	WASHER (8.2X18X1.2)	1	
38	45710-94L00	ARM, SHALLOW WATER DRIVE	1	
39	45722-94L00	SPRING, SHALLOW WATER DRIVE ARM	1	
40	45741-94L00	PIN, SHALLOW DRIVE WATER ARM	1	
41	45751-94L00	BUSH, SHALLOW WATER DRIVE ARM	2	
42	45761-94L00	SPACER, SHALLOW WATER DRIVE ARM	1	
43	09380-12002	SNAP RING	2	

FIG.336B



DF25A\_30A\_P03\_015\_336B  
SWIVEL BRACKET

FIG.336B (1-D-8) SWIVEL BRACKET (DF25AR P03)

REF NO.	PART NO.	DESCRIPTION	Q'TY	REMARKS
1	22511-99011	NIPPLE, GREASE	4	
2	36894-87D00	LEAD (L:165)	1	
3-1	43111-94L00-0EP	BRACKET, SWIVEL (S) (BLACK)	1	W/TRANSOM(S)
3-2	43111-94L10-0EP	BRACKET, SWIVEL (L) (BLACK)	1	W/TRANSOM(L)
4	43211-87JL0	BUSH, SWIVEL BRACKET	2	
5	43711-94L00	BUSH, STEERING	2	
6-1	43750-94L00-0EP	BRACKET, STEERING (S) (BLACK)	1	W/TRANSOM(S)
6-2	43750-94L10-0EP	BRACKET, STEERING (L) (BLACK)	1	W/TRANSOM(L)
7	43755-94L00	ATTACHMENT, STEERING BRACKET	1	
8	09160-08082	WASHER (8.5X16X1.2)	2	
9	09108-08286	STUD BOLT	2	
10	09125-06063	SCREW (6X10)	2	
11	09159-08059	NUT	2	
12	09160-30057	WASHER, PILOT SHAFT	2	
13	09282-30008	SEAL, STRG UNDER BUSH	1	
14-1	55321-87J00	ANODE, PROTECTION	1	W/TRANSOM(L)
14-2	55321-87J10	ANODE, MAGNESIUM	1	OPT
15	09103-06281	BOLT (6X14)	1	W/TRANSOM(L)
16	45211-94L00	SPRING, REVERSE LOCK ARM	2	
17	45221-94L00	LINK, REVERSE LOCK ARM PORT	1	
18	45231-94L00	ARM, REVERSE LOCK	1	
19	45241-94L00	LINK, REVERSE LOCK ARM STBD	1	
20	45252-94L00	LINK, RELEASE LEVER	1	
21	45253-94L00	ARM, RELEASE	1	
22	45255-94L00	RUBBER, RELEASE LEVER	1	
23	45257-94L00	BUSH, RELEASE LEVER	1	
24	45260-94L00	LEVER, RELEASE	1	
25	59211-94L00	PIN, REVERSE LOCK ARM LINK	1	
26	09100-06113	BOLT (6X16)	1	
27	09140-06020	NUT	1	
28	09160-06082	WASHER (6.5X13X1.0)	1	
29	09200-06072	PIN, REVERSE LOCK ARM	1	
30	09204-01002	PIN	2	

DF25A\_30A\_P03\_015

FIG.336B

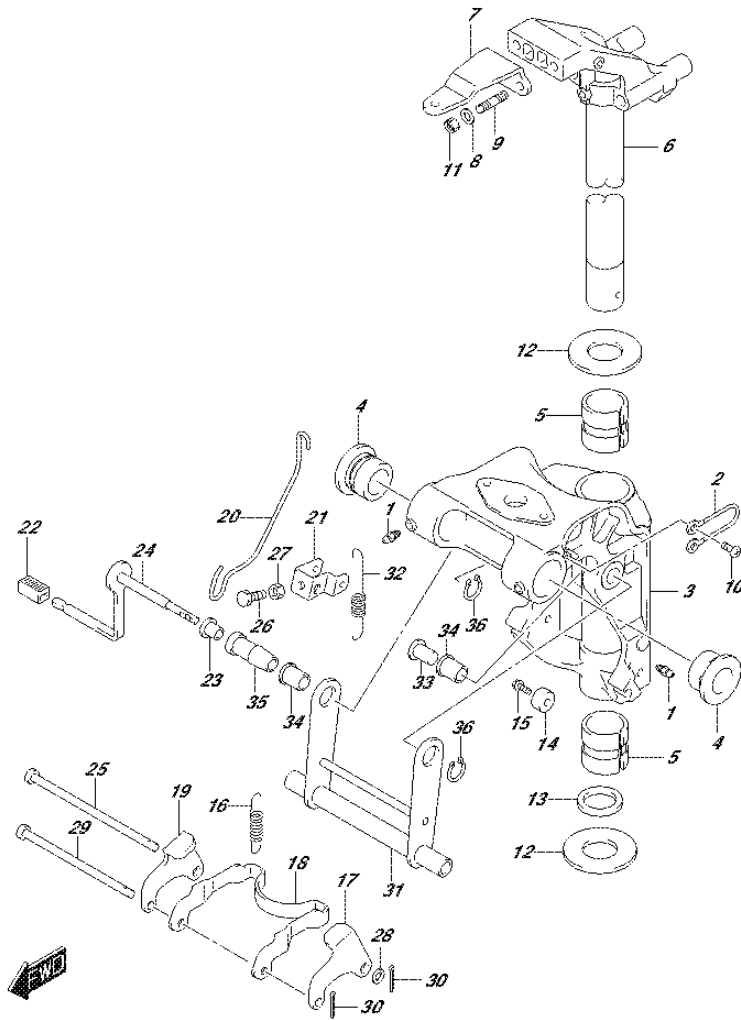


FIG.336B (1-D-9) SWIVEL BRACKET (DF25AR P03)

REF NO.	PART NO.	DESCRIPTION	Q'TY	REMARKS
31	45710-94L00	ARM, SHALLOW WATER DRIVE	1	
32	45722-94L00	SPRING, SHALLOW WATER DRIVE ARM	1	
33	45741-94L00	PIN, SHALLOW DRIVE WATER ARM	1	
34	45751-94L00	BUSH, SHALLOW WATER DRIVE ARM	2	
35	45761-94L00	SPACER, SHALLOW WATER DRIVE ARM	1	
36	09380-12002	SNAP RING	2	



FIG.401A

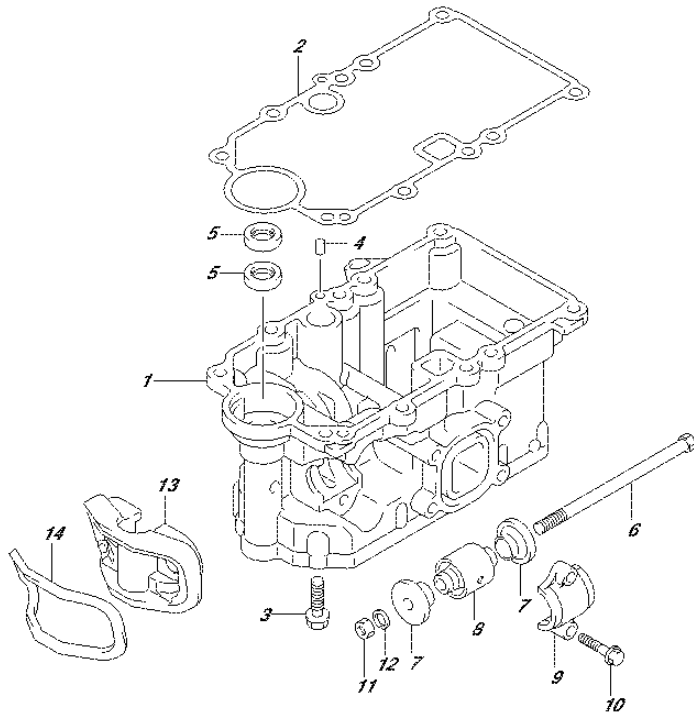


FIG.401A (1-D-10) ENGINE HOLDER

REF NO.	PART NO.	DESCRIPTION	Q'TY	REMARKS
1	51110-94L00	HOLDER, ENGINE	1	
2	51211-94L00	GASKET, ENGINE HOLDER	1	
3	09116-08150	BOLT (8X27)	10	
4	09202-06023	PIN (6X10)	2	
5	09282-15009	SEAL, DRIVE SHAFT UPPER OIL	2	
6	54112-94L00	BOLT, UPPER MOUNT	2	
7	54125-94L00	STOPPER, UPPER MOUNT THRUST	4	
8	54130-94L00	MOUNT, UPPER	2	
9	54137-94L00	COVER, UPPER MOUNT	2	
10	09116-08152	BOLT (8X45)	4	
11	09140-10031	NUT	2	
12	09160-10156	WASHER, UPPER MOUNT BOLT	2	
13	54144-94L00	SEAL, UPPER MOUNT	1	
14	54145-94L00	SEAL, UPPER MOUNT NO.2	1	



FIG.405A

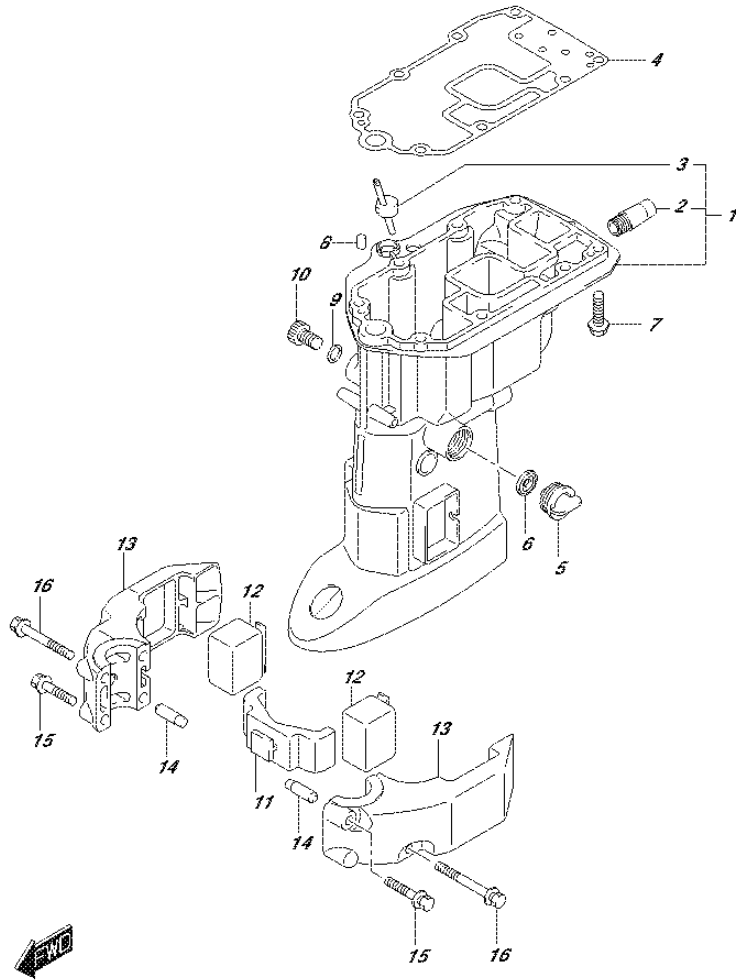


FIG.405A (1-D-11) DRIVE SHAFT HOUSING

REF NO.	PART NO.	DESCRIPTION	Q'TY	REMARKS
1-1	52110-94L00-0EP	HOUSING, DRIVE SHAFT (S) (BLACK)	1	W/TRANSOM(S)
1-2	52110-94L10-0EP	HOUSING, DRIVE SHAFT (L) (BLACK)	1	W/TRANSOM(L)
2	43112-94L00	.PIPE,EXHAUST	1	
3	61155-94L00	.TUBE,WATER INSP	1	
4	52113-94L00	GASKET, DRIVE SHAFT HOUSING	1	
5	17913-93J00	PLUG, WATER	1	
6	17914-93J00	GASKET, WATER PLUG	1	
7	09116-08151	BOLT (8X30)	8	
8	09202-06023	PIN (6X10)	2	
9	09168-12017	GASKET (12X17X1)	1	
10	09248-12009	PLUG (12X18.65)	1	
11	54151-94L00	MOUNT, LOWER THRUST	1	
12	54167-94L00	MOUNT, LOWER SIDE	2	
13	54211-94L00-0EP	COVER, LOWER MOUNT (BLACK)	2	
14	54213-93901	PIN, LWR MOUNT COVER KNOCK	2	
15	09116-08154	BOLT (8X40)	2	
16	09116-08162	BOLT, LOWER MOUNT COVER NO.2	2	

FIG.407A

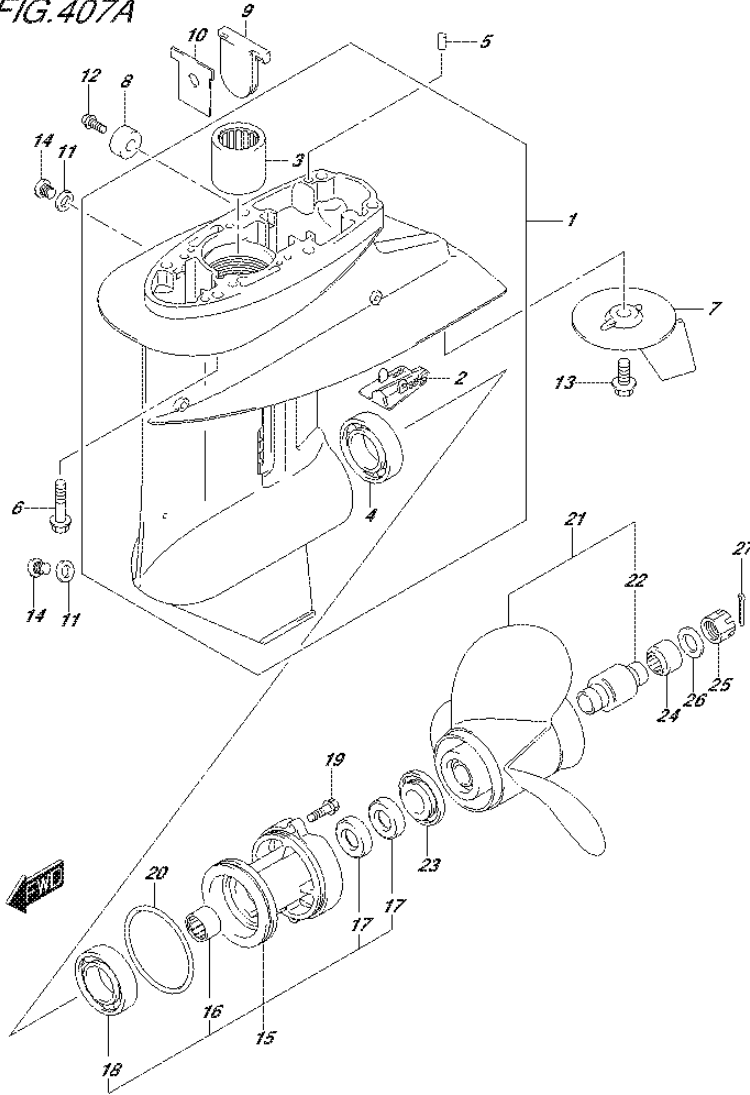


FIG.407A (1-D-12) GEAR CASE

REF NO.	PART NO.	DESCRIPTION	Q'TY	REMARKS
1	55100-94L00-0EP	CASE ASSY, GEAR (BLACK)	1	
2	55114-963L0	.COVER, GEAR CASE UNDER	1	
3	09263-20046	.BEARING (20.6X27X25.4)	1	
4	09265-25047	.BEARING (25X52X19.25)	1	
5	09202-06023	PIN (6X10)	2	
6	09116-08154	BOLT (8X40)	6	
7	55125-96310	TRIM, TAB	1	
8	55321-87J00	ANODE, PROTECTION	1	
9	55332-94L00	RUBBER, EXHAUST SEAL	1	
10	55333-94L00	PLATE, EXHAUST SEAL	1	
11	59178-97J00	GASKET, DRAIN PLUG	2	
12	09103-06281	BOLT (6X14)	1	
13	09116-08147	BOLT (8X16)	1	
14	09248-08001	PLUG (8X7.5)	2	
15	56120-91L10-0EP	HOUSING, PROPELLER SHAFT	1	
16	09263-20047	.BEARING (20X26X20)	1	
17	09289-20L01	.OIL SEAL (20X34X6.5)	2	
18	08113-60060	.BEARING	1	
19	09116-06229	BOLT (6X25)	2	
20	09280-75002	O RING (D:3.5,ID:68.6)	1	
21-1	58100-96411-019	PROPELLER (3X10-1/4X10) (BLACK)	1	
21-2	58100-96421-019	PROPELLER (3X10-1/4X11) (BLACK)	1	
21-3	58100-91L00-019	PROPELLER (3X10-1/4X12) (BLACK)	1	
21-4	58100-91L10-019	PROPELLER (3X10-1/4X13) (BLACK)	1	
21-5	58100-95D01-019	PROPELLER (3X10-1/4X14) (BLACK)	1	
21-6	58100-96371-019	PROPELLER (9P THICK BLADE) (BLACK)	1	

FIG.407A

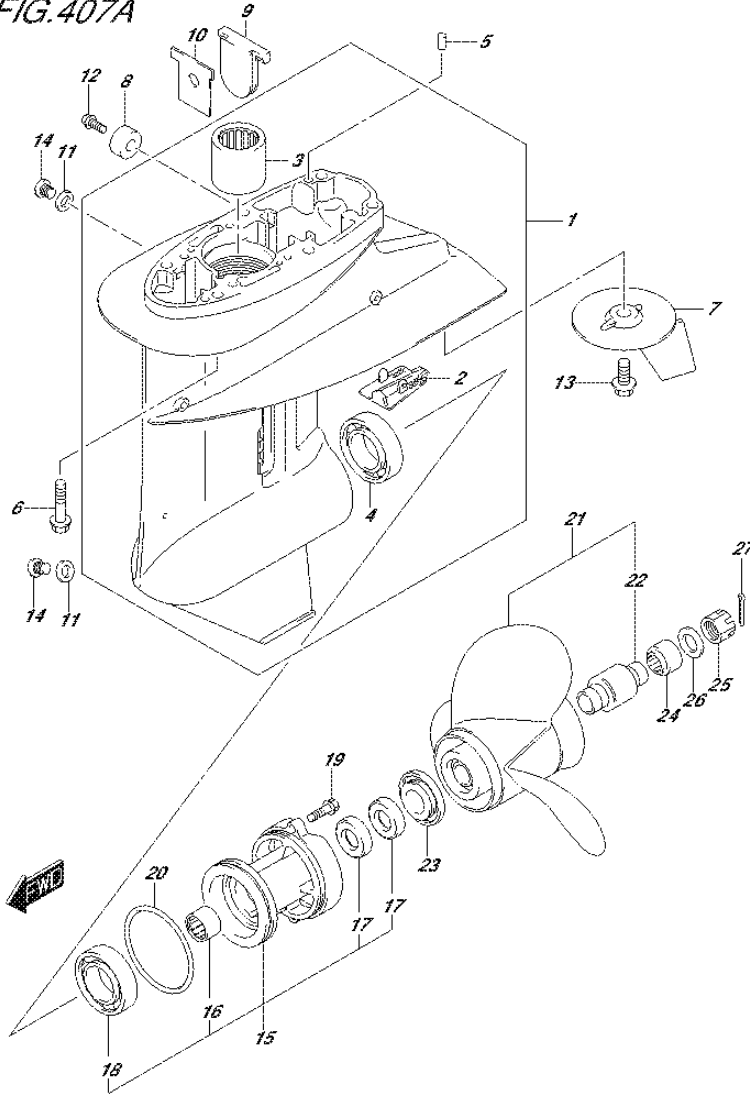
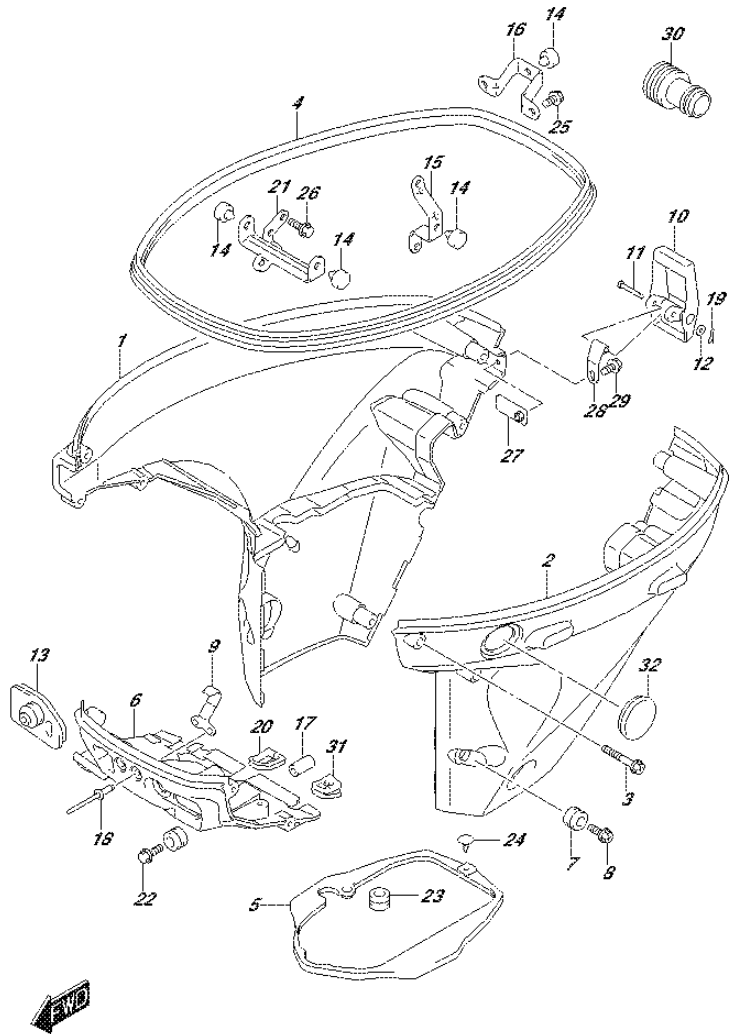


FIG.407A (1-D-13) GEAR CASE

REF NO.	PART NO.	DESCRIPTION	Q'TY	REMARKS
21-7	58100-96471-019	PROPELLER (10P THICK BLADE) (BLACK)	1	
21-8	58100-96481-019	PROPELLER (12P THICK BLADE) (BLACK)	1	
21-9	58200-96400	PROPELLER (3X10-1/4X13), SUS (BLACK)	1	OPT
22	58120-96401	.BUSH, PROPELLER	1	
23	57632-91L00	STOPPER, PROPELLER BUSH	1	
24	57633-96300	SPACER, PROPELLER NUT	1	
25	09141-14008	NUT	1	
26	09160-14028	WASHER (14.5X30X2.5)	1	
27	09204-03003	COTTER PIN (D:3.6,L:25)	1	

FIG.410A



DF25A\_30A\_P03\_015\_410A  
SIDE COVER

FIG.410A (1-D-14) SIDE COVER (DF25A P03)

REF NO.	PART NO.	DESCRIPTION	Q'TY	REMARKS
1	61810-94L00-0EP	COVER, SIDE STBD (BLACK)	1	
2	61820-94L00-0EP	COVER, SIDE PORT (BLACK)	1	
3	09136-06169	SCREW (6X35)	8	
4	61112-94L10	RUBBER, SIDE COVER	1	
5	61134-94L00	SEAL, SIDE COVER	1	
6	61830-94L00-0EP	PANEL, FRONT (BLACK)	1	
7	09320-11017	CUSHION	2	
8	09136-06168	SCREW (6X17)	2	
9	61412-89L00	HOOK, FRONT PANEL	1	
10	61610-90L00	FASTENER	1	
11	61616-93EL0	PIN, LEVER	1	
12	09161-04012	WASHER (4.2X11X1)	1	
13-1	61124-94L00	GROMMET, CABLE	1	W/MANUAL STARTER
13-2	61124-94L20	GROMMET, CABLE	1	W/ELECTRIC STARTER
14	61151-91J11	CUSHION, LOWER COVER HOLDER	4	
15	61827-94L00	HOLDER, SIDE COVER	1	
16	61829-94L00	HOLDER, SIDE COVER REAR	1	
17	09251-09007	CUSHION	1	
18	09229-04005	RIVET	2	
19	09385-04003	CLIP	1	
20	23131-94L00	BOOT, CLUTCH ROD	1	
21	61841-94L00	HOLDER, SIDE COVER	1	
22	09136-06168	SCREW (6X17)	1	
23	09320-11017	CUSHION	1	
24	09409-05302-5PK	CLIP (BLACK)	1	
25	01550-06167	BOLT	2	
26	01550-08207	BOLT	1	
27	61620-94L00	PLATE, FASTENER HOLDER	1	
28	61642-90L00	HOLDER, FASTENER LEVER	1	
29	09116-06223	BOLT (6X12)	1	
30	17917-87L00	CONNECTOR, FLUSH WATER	1	
31	36656-94L00	GROMMET, PT CABLE	1	
32	37853-94L00	PLUG, PT SWITCH HOLE	1	

DF25A\_30A\_P03\_015

FIG.410B

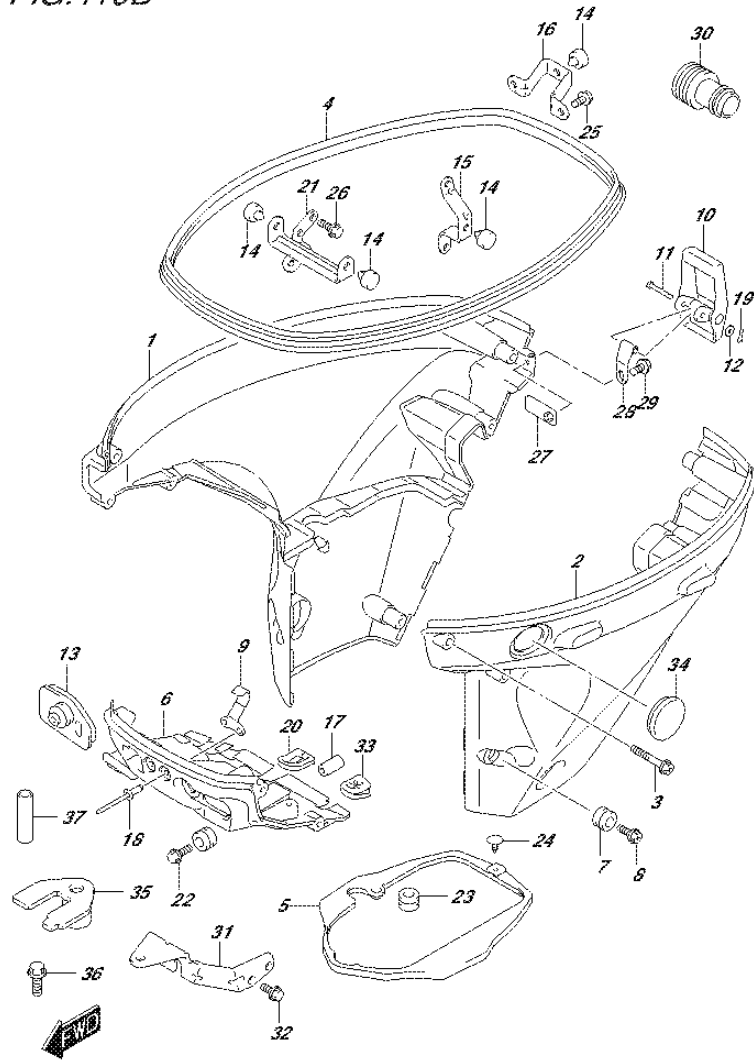


FIG.410B (1-D-15) SIDE COVER (DF25AR P03)

REF NO.	PART NO.	DESCRIPTION	Q'TY	REMARKS
1	61810-94L00-OEP	COVER, SIDE STBD (BLACK)	1	
2	61820-94L00-OEP	COVER, SIDE PORT (BLACK)	1	
3	09136-06169	SCREW (6X35)	8	
4	61112-94L10	RUBBER, SIDE COVER	1	
5	61134-94L00	SEAL, SIDE COVER	1	
6	61830-94L00-OEP	PANEL, FRONT (BLACK)	1	
7	09320-11017	CUSHION	2	
8	09136-06168	SCREW (6X17)	2	
9	61412-89L00	HOOK, FRONT PANEL	1	
10	61610-90L00	FASTENER	1	
11	61616-93EL0	PIN, LEVER	1	
12	09161-04012	WASHER (4.2X11X1)	1	
13	61124-94L10	GROMMET, CABLE R/CON	1	
14	61151-91J11	CUSHION, LOWER COVER HOLDER	4	
15	61827-94L00	HOLDER, SIDE COVER	1	
16	61829-94L00	HOLDER, SIDE COVER REAR	1	
17	09251-09007	CUSHION	1	
18	09229-04005	RIVET	2	
19	09385-04003	CLIP	1	
20	23131-94L00	BOOT, CLUTCH ROD	1	
21	61841-94L00	HOLDER, SIDE COVER	1	
22	09136-06168	SCREW (6X17)	1	
23	09320-11017	CUSHION	1	
24	09409-05302-5PK	CLIP (BLACK)	1	
25	01550-06167	BOLT	2	
26	01550-08207	BOLT	1	
27	61620-94L00	PLATE, FASTENER HOLDER	1	
28	61642-90L00	HOLDER, FASTENER LEVER	1	
29	09116-06223	BOLT (6X12)	1	
30	17917-87L00	CONNECTOR, FLUSH WATER	1	
31	67341-94L00	HOLDER, R/CON CABLE	1	
32	01547-06167	BOLT	2	

FIG.410B

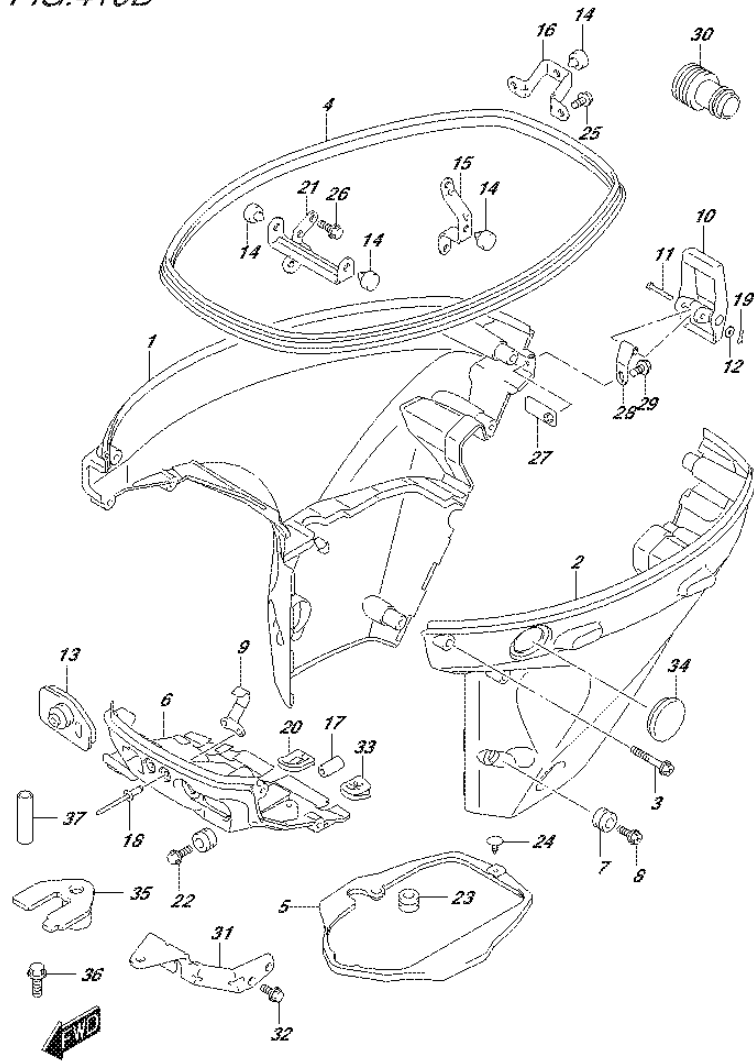


FIG.410B (1-E-2) SIDE COVER (DF25AR P03)

REF NO.	PART NO.	DESCRIPTION	Q'TY	REMARKS
33	36656-94L00	GROMMET, PT CABLE	1	
34	37853-94L00	PLUG, PT SWITCH HOLE	1	
35	67343-94L00	STOPPER, R/CON CABLE	1	
36	09116-06225	BOLT (6X15)	1	
37	09352-70103-600	HOSE (7X10.2X600)	2	L:600->14

FIG. 420A

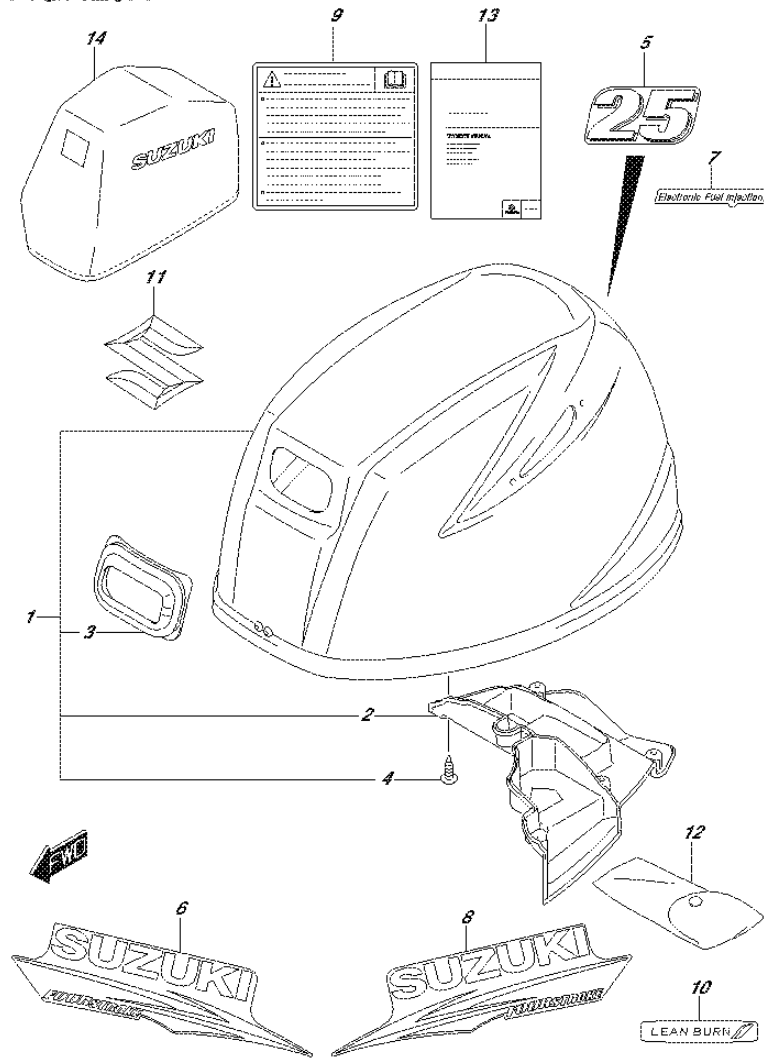


FIG. 420A (1-E-3) ENGINE COVER

REF NO.	PART NO.	DESCRIPTION	Q'TY	REMARKS
1	61400-94L00-OEP	COVER ASSY, ENGINE (BLACK)	1	
2	61433-94L00	.COVER, AIR INTAKE INNER	1	
3	61622-90L00	.SEAL, RECOIL STARTER	1	
4	03542-05169	.SCREW	6	
5	61435-94L00	MARK, EMBLEM REAR (25)	1	
6	61443-94L00	STRIPE, ENGINE COVER STBD	1	
7	61446-89L00	DECAL, EFI	1	
8	61453-94L00	STRIPE, ENGINE COVER PORT	1	
9	61458-89L10	LABEL, ENGINE COVER	1	
10	61471-89L00	DECAL, LEAN BURN	1	
11	77811-58J10-OPG	EMBLEM, S (CHROME)	1	
12	59800-94L00	TOOL ASSY	1	
13	99011-94L00-03B	MANUAL, OWNER'S	1	
14	68110-88L00	COVER, WEATHER	1	OPT



FIG.432A

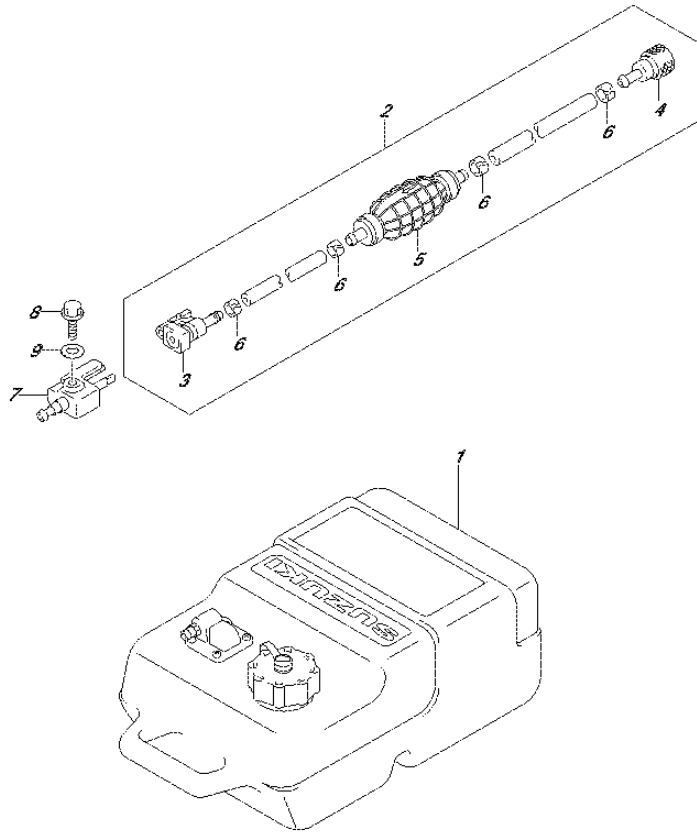


FIG.432A (1-E-4) FUEL TANK

REF NO.	PART NO.	DESCRIPTION	Q'TY	REMARKS
1	65000-95J00	TANK ASSY, FUEL SEPARATE	1	
2	65700-87J25	HOSE, FUEL (TANK TO CONNECTOR)	1	
3	65750-87J11	.SOCKET, FUEL HOSE	1	
4	65750-95500	.SOCKET, FUEL HOSE	1	
5	65770-90J02	.PUMP, SQUEEZE	1	
6	65781-98500	.CLIP, FUEL HOSE	4	
7	65720-986L0	PLUG, FUEL CONNECTOR	1	
8	09103-06237	BOLT (6X12.5)	1	
9	09160-06085	WASHER (6.5X15X1)	1	

FIG.442A

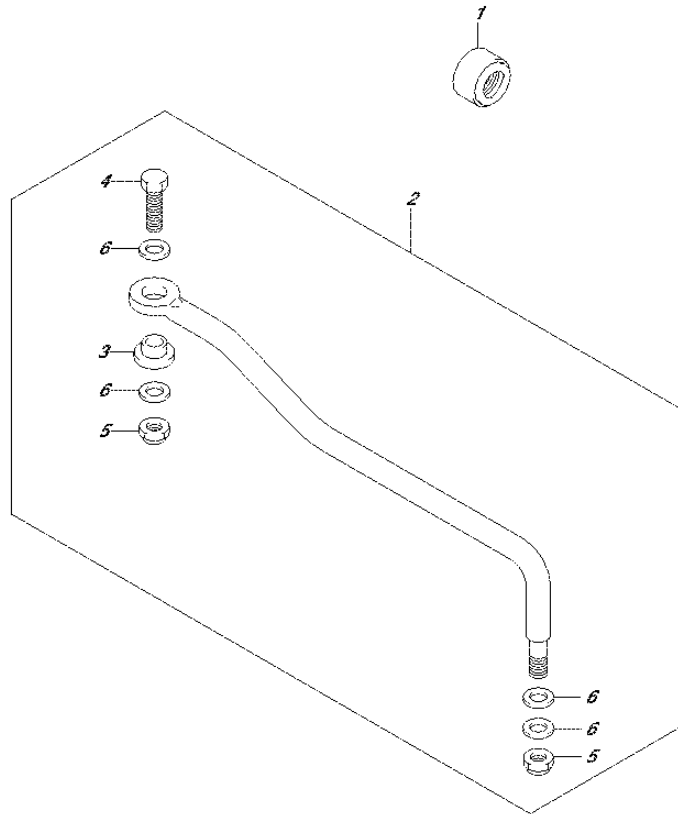


FIG.442A (1-E-5) DRAG LINK (DF25AR P03)

REF NO.	PART NO.	DESCRIPTION	Q'TY	REMARKS
1	41161-94400	SEAL, STEERING CABLE	1	
2	67701-94L00	LINK ASSY, DRAG	1	
3	67721-94L00	.SPACER	1	
4	67725-96J00	.BOLT, DRAG LINK	1	
5	67726-99E00	.NUT, LOCK	2	
6	67728-99E00	.WASHER	4	



FIG.444A

FIG.444A (1-E-6) TILLER HANDLE (DF25A P03)

REF NO.	PART NO.	DESCRIPTION	Q'TY	REMARKS
1	63111-89L00-0EP	HANDLE, TILLER (BLACK)	1	
2	63115-99J10	BUSH, TILLER HANDLE NO.1	1	
3	63115-99J00	BUSH, TILLER HANDLE NO.2	1	
4	63116-99J00	RUBBER, TILLER HANDLE FRICTION	1	
5	63121-99J00-0EP	COVER, TILLER HANDLE (BLACK)	1	
6	63210-94L00	GRIP, HANDLE	1	
7	63220-94L00	ROD, HANDLE	1	
8	63225-94J00	PLATE, HANDLE ROD ADJUSTER	1	
9	63225-93200	BUSH, HANDLE ROD	1	
10	63240-94J10	ADJUSTER SET, HANDLE ROD	1	
11	63241-986B0	.SUPPORT, HANDLE ROD	1	
12	63244-94J00	.KNOB, THROTTLE ADJ	1	
13	09148-06008	NUT	1	
14	63610-94L00	CABLE ASSY, THROTTLE NO.1	1	
15	63650-94L00	CABLE ASSY, THROTTLE NO.2	1	
16	09116-08151	BOLT (8X30)	2	
17	09126-06015	SCREW (6X23)	1	
18	09136-05041	SCREW (5X20)	2	
19	09163-06001	LOCK WASHER	1	
20	09440-12027	SPRING	1	
21	33833-91J00	TUBE, SWITCH LEAD (L:250)	1	
22	63114-99J01	PLATE, WARNING INDICATOR	1	
23	63122-99J00	PROTECTOR, HANDLE COVER	1	
24	63131-94L00-0EP	BRACKET, TILLER HANDLE (BLACK)	1	
25	63133-89L00	GROMMET, TILLER HANDLE BRACKET	1	
26	63134-94L00	COVER, TILLER HANDLE BRACKET	1	
27	09116-08155	BOLT (8X45)	2	
28	09125-05042	SCREW (5X10)	1	
29	09136-05041	SCREW (5X20)	2	
30	09250-12006	CAP (OD:20)	1	
31	21131-94J00	MARK, CLUTCH SHIFT	1	
32	63215-93110	MARK, HANDLE GRIP	1	

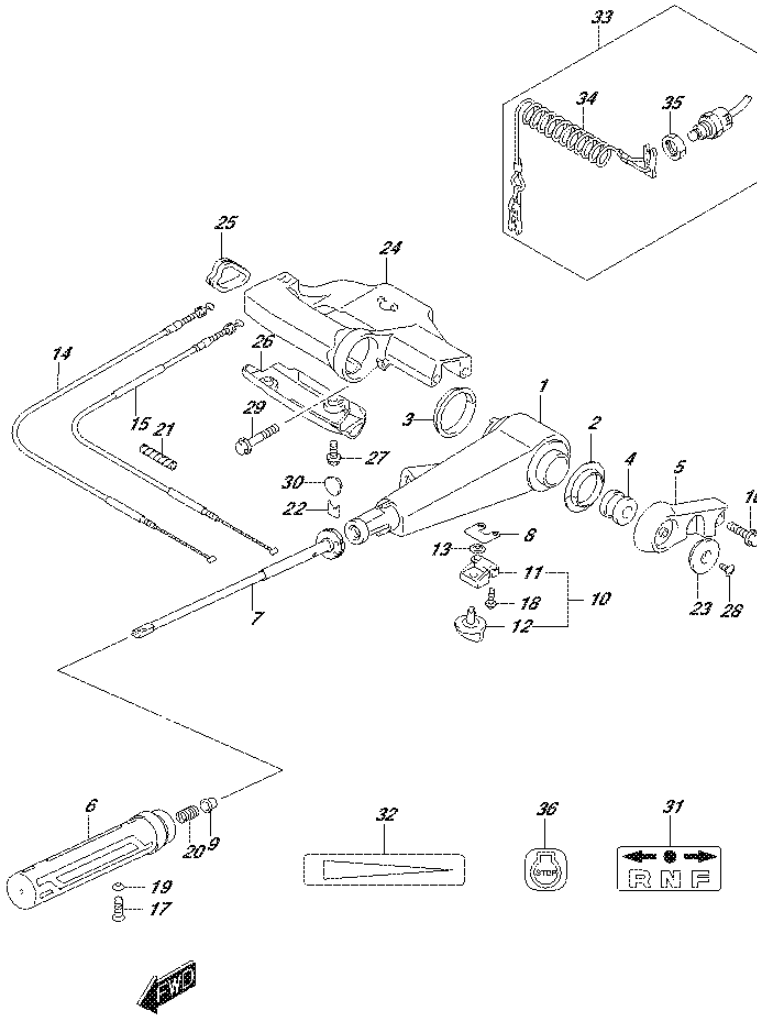


FIG.444A

FIG.444A (1-E-7) TILLER HANDLE (DF25A P03)

REF NO.	PART NO.	DESCRIPTION	Q'TY	REMARKS
33	37830-94J10	SWITCH ASSY, EMERGENCY & STOP	1	
34	37823-97J00	.PLATE, LOCK	1	
35	37826-97J00	.NUT	1	
36	37835-95D00	LABEL, STOP	1	

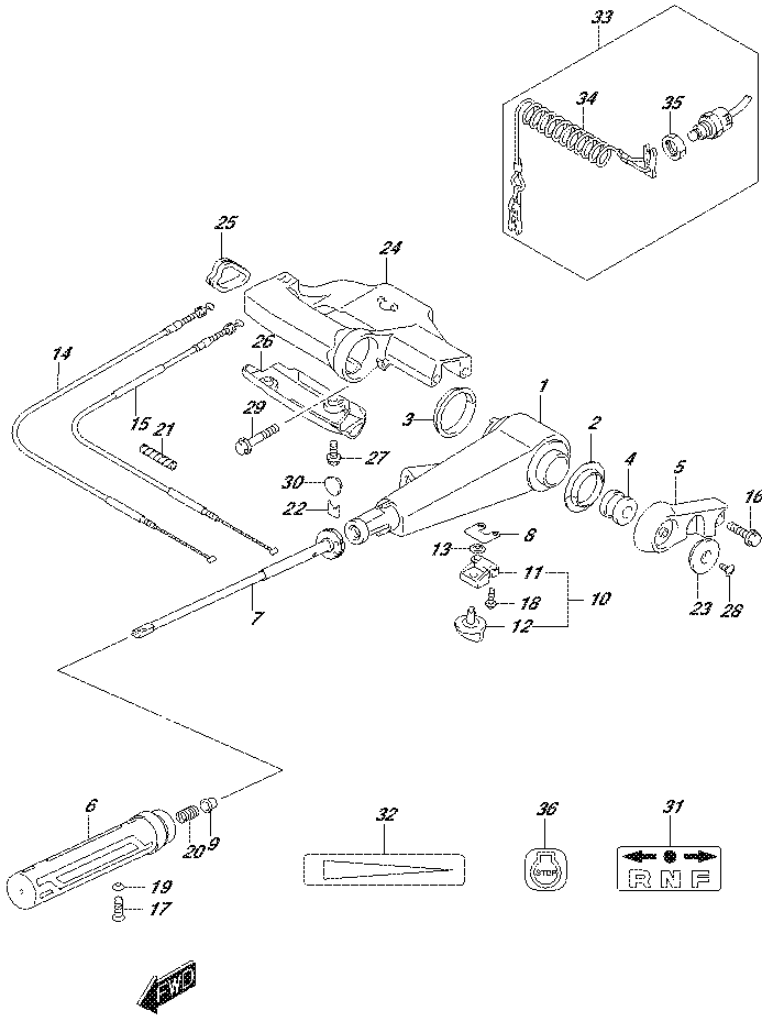
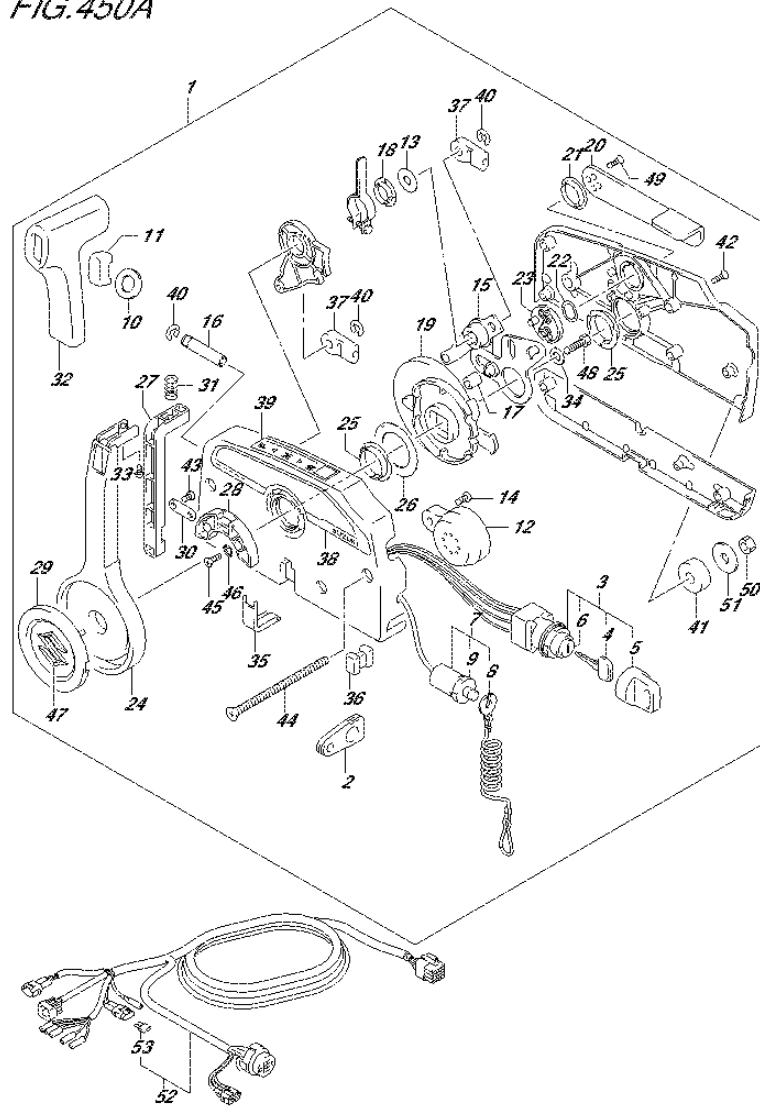


FIG. 450A



DF25A\_30A\_P03\_015\_450A  
REMOTE CONTROL

FIG.450A (1-E-8) REMOTE CONTROL (DF25AR P03)

REF NO.	PART NO.	DESCRIPTION	Q'TY	REMARKS
1	67200-94J20	REMOTE CONTROL ASSY	1	
2	36628-92E00	.GROMMET, WIRING HARNESS	1	
3	37110-94J02	.SWITCH ASSY, IGNITION	1	
4-1	37141-99E00	..KEY (931)	2	
4-2	37141-99E10	..KEY (932)	2	
4-3	37141-99E20	..KEY (933)	2	
4-4	37141-99E30	..KEY (934)	2	
4-5	37141-99E40	..KEY (935)	2	
4-6	37141-99E50	..KEY (936)	2	
4-7	37141-99E60	..KEY (937)	2	
4-8	37141-99E70	..KEY (938)	2	
4-9	37141-99E80	..KEY (939)	2	
4-10	37141-99E90	..KEY (940)	2	
4-11	37141-99EA0	..KEY (941)	2	
4-12	37141-99EB0	..KEY (942)	2	
5	37143-99E00	..CAP, KEY	2	
6	37149-93J00	..CAP, CYLINDER BODY	1	
7	37820-93J04	.SWITCH ASSY, EMERGENCY	1	
8	37823-92E01	.PLATE ASSY, EMERGENCY SWITCH LOCK	1	
9	37826-92J00	..NUT	1	
10	37859-90J00	.SPACER	1	
11	37864-94J10	.CAP, PTT SW	1	
12	38500-93J00	.BUZZER ASSY, WARNING	1	
13	67212-95600	.WASHER	1	
14	67214-92E00	.SCREW (5X10)	1	
15	67220-95630	.PLATE ASSY	1	
16	67223-99E10	.KNOB, BRAKE ADJUST	1	
17	67229-95600	.ROLLER	1	
18	67232-95600	.BUSH	1	
19	67238-87D00	.GEAR, DRIVE	1	
20	67241-99E10	.LEVER, FREE THROTTLE	1	
21	67243-95600	.BUSH	1	
22	67244-95600	.WAVE WASHER	1	

FIG.450A

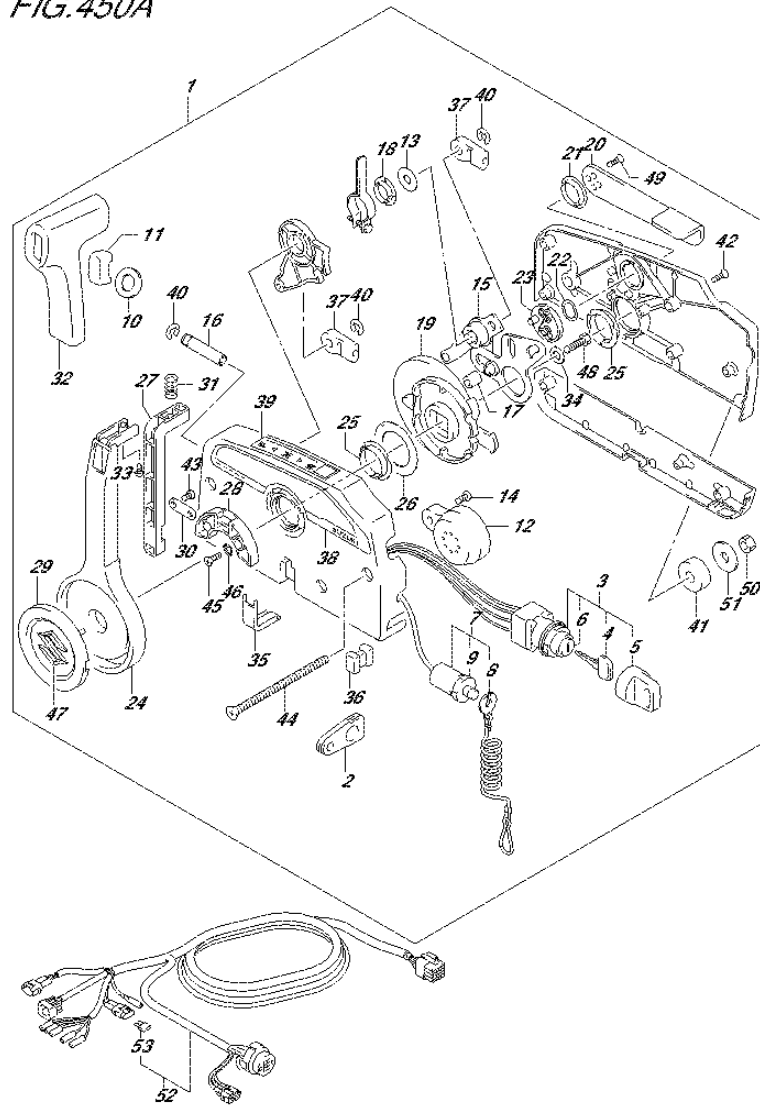


FIG.450A (1-E-9) REMOTE CONTROL (DF25AR P03)

REF NO.	PART NO.	DESCRIPTION	Q'TY	REMARKS
23	67245-95600	.DRUM, FREE THROTTLE	1	
24	67251-99E20	.LEVER, HANDLE	1	
25	67252-95600	.BUSH	2	
26	67253-95600	.WASHER	1	
27	67255-99E10	.ARM, LOCK	1	
28	67256-95600	.HOLDER, NEUTRAL LOCK	1	
29	67257-99E10	.CAP, LEVER	1	
30	67258-99E00	.BRACKET	1	
31	67259-87D00	.SPRING, NEUTRAL ARM	1	
32	67261-99E10	.GRIP	1	
33	67296-94310	.SCREW	1	
34	67264-95600	.WASHER	1	
35	67267-93J00	.COVER, WIRE	1	
36	67273-95600	.SPACER	1	
37	67275-95600	.END, CABLE	2	
38	67282-94L00	.DECAL, REMOCON SIDE	1	
39	67284-94L00	.MARK, HANDLE LEVER	1	
40	67292-94300	.E RING	3	
41	67294-95600	.SPACER	3	
42	67296-90J00	.SCREW, REAR COVER	5	
43	67296-94300	.SCREW (4X10)	2	
44	67296-95600	.SCREW	3	
45	67296-95610	.SCREW	2	
46	67297-95600	.WASHER	2	
47	77811-54GB0-0PG	.EMBLEM, REAR MARK S (CHROME)	1	
48	09100-08232	.BOLT (8X30)	1	
49	09126-05003	.SCREW (5X12)	2	
50	09140-06020	.NUT	3	
51	09160-06104	.WASHER (6.5X24X2)	3	
52	36620-94L00	WIRE ASSY,REMOTE CONTROL	1	
53	09481-10501	.FUSE (10A)	1	

FIG.501A

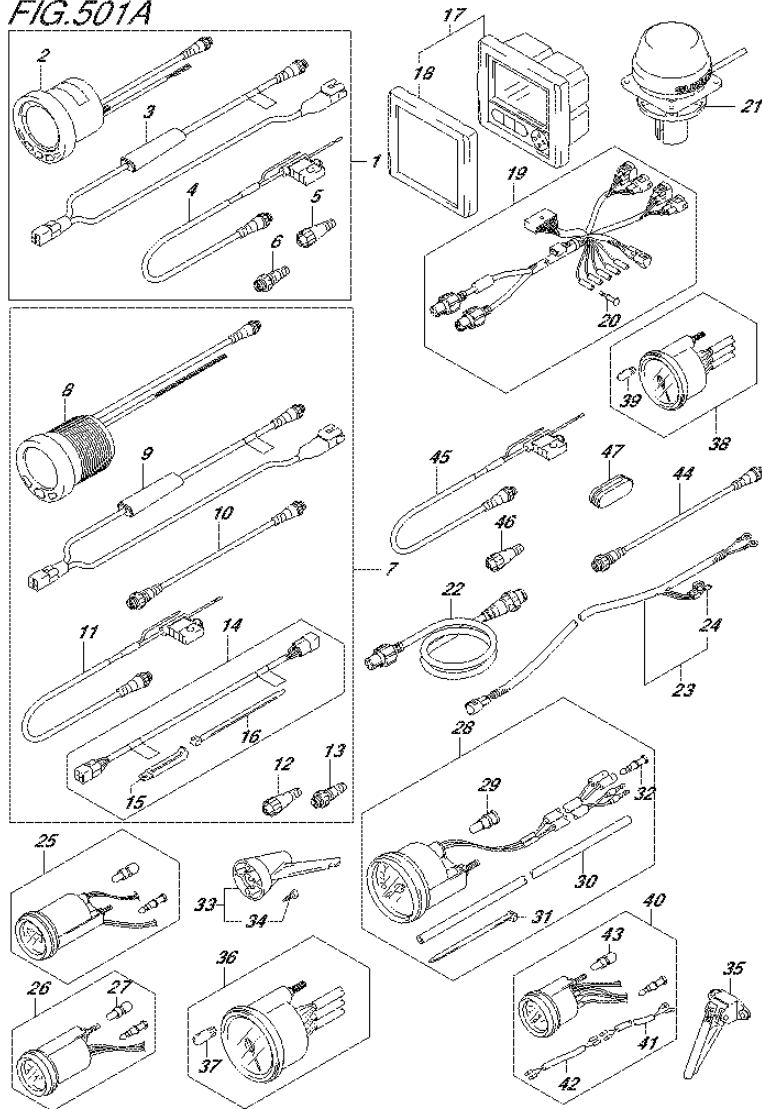
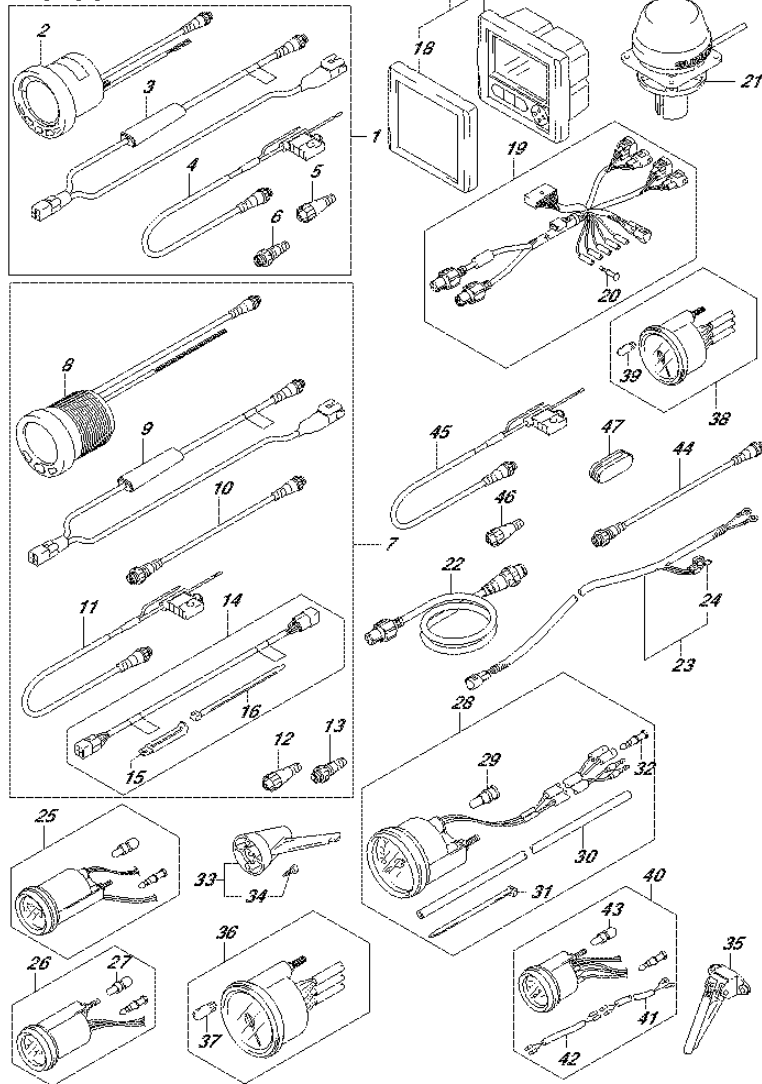


FIG.501A (1-E-10) OPT:METER (DF25AR P03)

REF NO.	PART NO.	DESCRIPTION	Q'TY	REMARKS
1	34011-88L03	.KIT, 4 IN MULTI GAUGE	1	
2	34200-88L02	.GAUGE ASSY, 4 IN MULTI	1	
3	34922-88L02	.UNIT, INTERFACE	1	
4	36663-88L00	.HARNESS ASSY, NETWORK POWER	1	
5	36665-88L00	.UNIT, RESISTOR FEMALE	1	
6	36665-88L10	.UNIT, RESISTOR MALE	1	
7	34011-89L01	.KIT, 2 IN MULTI GAUGE	1	
8	34800-88L01	.GAUGE ASSY, 2 IN MULTI	1	
9	34922-88L02	.UNIT, INTERFACE	1	
10	36662-88L00	.WIRE, 25 EXTENSION	1	
11	36663-88L00	.HARNESS ASSY, NETWORK POWER	1	
12	36665-88L00	.UNIT, RESISTOR FEMALE	1	
13	36665-88L10	.UNIT, RESISTOR MALE	1	
14	36660-89L00	.SET, ENG TO INTERFACE WIRE	1	
15	29404-93J10	..CLAMP	1	
16	09407-14407	..CLAMP (L:145)	4	
17	34200-87L12	GAUGE ASSY, MULTI	1	
18	34211-87L00	.COVER, FRONT	1	
19	36661-87L00	ADAPTER, GAUGE	1	
20	36615-96300	.TERMINAL, RESIN	5	
21	39950-87L00	MODULE ASSY, GPS RECIVER	1	
22	36666-87L00	WIRE, NETWORK	1	
23-1	36663-98J00	HARNESS, ACTIVE HUB POWER	1	2.5M
23-2	36663-98J10	HARNESS, ACTIVE HUB POWER	1	6M
24	09481-05501	.FUSE (5A)	1	
25-1	34500-93J00	METER ASSY, HOUR	1	BLACK
25-2	34500-93J11	METER ASSY, HOUR	1	WHITE
26-1	34600-93J00	METER ASSY, VOLTAGE	1	BLACK
26-2	34600-93J11	METER ASSY, VOLTAGE	1	WHITE
27	09471-12103	.BULB (12V,3W,T6.5)	1	

FIG.501A



DF25A\_30A\_P03\_015\_501A  
OPT:METER

FIG.501A (1-E-11) OPT:METER (DF25AR P03)

REF NO.	PART NO.	DESCRIPTION	Q'TY	REMARKS
28-1	34100-93J20	SPEEDOMETER ASSY	1	MAX 80KM/H BLACK
28-2	34100-93J31	SPEEDOMETER ASSY	1	MAX 80KM/H WHITE
28-3	34100-93J40	SPEEDOMETER ASSY	1	MAX 45KNOTS BLACK
28-4	34100-93J51	SPEEDOMETER ASSY	1	MAX 45KNOTS WHITE
29	09471-12028	.BULB (12V,3.4W)	1	
30	34191-92E00	.TUBE	1	
31	09407-14407	.CLAMP (L:145)	2	
32	36615-96300	.TERMINAL, RESIN	2	
33	34190-95500	SENDER ASSY, SPEEDOMETER	1	
34	03112-06303	.SCREW	2	
35	34190-87D00	SENDER ASSY, SPEEDOMETER	1	
36-1	34200-93J20	TACHOMETER ASSY	1	BLACK
36-2	34200-93J32	TACHOMETER ASSY	1	WHITE
37	09471-12028	.BULB (12V,3.4W)	1	
38-1	34200-93J00	TACHOMETER ASSY, WITH MONITOR	1	BLACK
38-2	34200-93J12	TACHOMETER ASSY, WITH MONITOR	1	WHITE
39	09471-12077	.BULB (12V,1.7W)	1	
40-1	34300-93J00	GAUGE ASSY, FUEL	1	BLACK
40-2	34300-93J11	GAUGE ASSY, FUEL	1	WHITE
41	34310-92E00	.LEAD, FUEL GAUGE	1	
42	34360-92E00	.ADAPTER, FUEL GAUGE	1	
43	09471-12103	.BULB (12V,3W,T6.5)	1	
44	36662-88L00	WIRE, 25 EXTENSION	1	
45	36663-88L00	HARNES ASSY, NETWORK POWER	1	
46	36990-87D00	TERMINAL & SLEEVE SET	1	
47	39669-94L00	PLUG, LOWER COVER	1	

DF25A\_30A\_P03\_015



FIG.508A

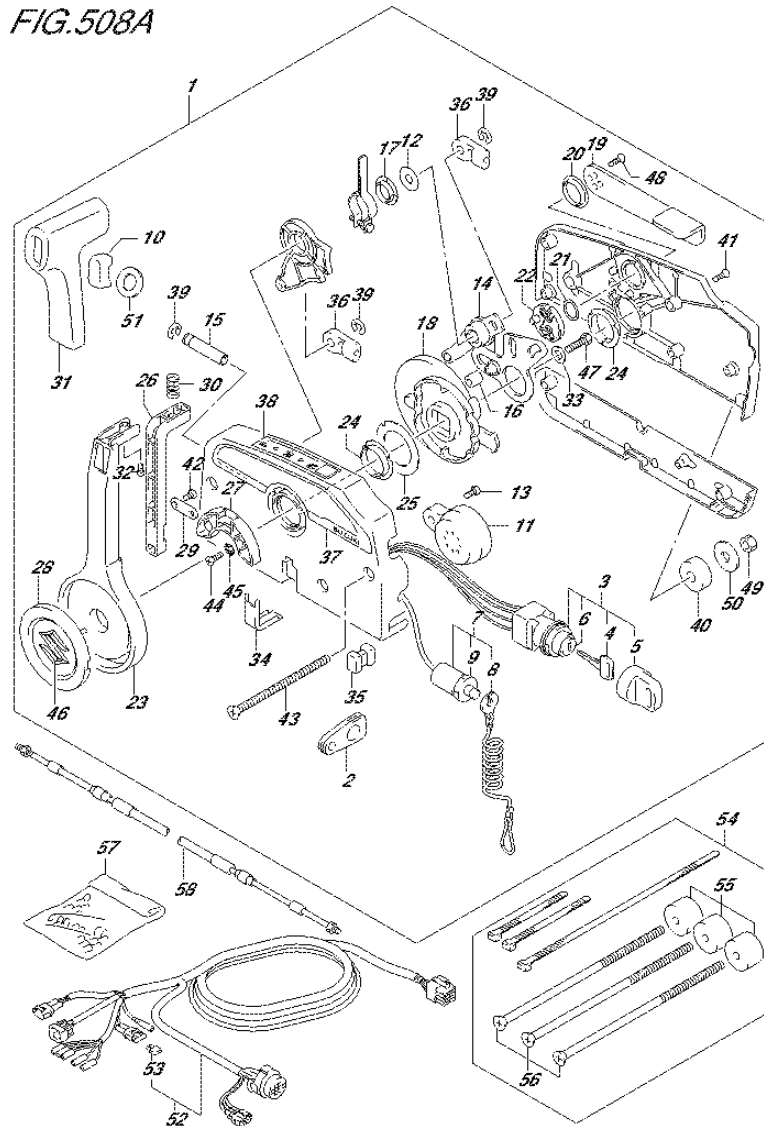


FIG.508A (1-E-12) OPT:REMOTE CONTROL (DF25A P03)

REF NO.	PART NO.	DESCRIPTION	Q'TY	REMARKS
1	67200-94J20	REMOTE CONTROL ASSY	1	
2	36628-92E00	.GROMMET, WIRE HARNESS	1	
3	37110-94J02	.SWITCH ASSY, IGNITION	1	
4-1	37141-99E00	..KEY (931)	2	
4-2	37141-99E10	..KEY (932)	2	
4-3	37141-99E20	..KEY (933)	2	
4-4	37141-99E30	..KEY (934)	2	
4-5	37141-99E40	..KEY (935)	2	
4-6	37141-99E50	..KEY (936)	2	
4-7	37141-99E60	..KEY (937)	2	
4-8	37141-99E70	..KEY (938)	2	
4-9	37141-99E80	..KEY (939)	2	
4-10	37141-99E90	..KEY (940)	2	
4-11	37141-99EA0	..KEY (941)	2	
4-12	37141-99EB0	..KEY (942)	2	
5	37143-99E00	..CAP, KEY	2	
6	37149-93J00	..CAP, CYLINDER BODY	1	
7	37820-93J04	.SWITCH ASSY, EMERGENCY	1	
8	37823-92E01	..PLATE	1	
9	37826-92J00	..NUT	1	
10	37864-94J10	.CAP, PTT SWITCH	1	
11	38500-93J00	.BUZZER	1	
12	67212-95600	.WASHER	1	
13	67214-92E00	.SCREW (5X10)	1	
14	67220-95630	..PLATE ASSY	1	
15	67223-99E10	.KNOB, BRAKE ADJUST	1	
16	67229-95600	.ROLLER	1	
17	67232-95600	.BUSH	1	
18	67238-87D00	.GEAR, DRIVE	1	
19	67241-99E10	.LEVER, FREE THROTTLE	1	
20	67243-95600	.BUSH	1	

FIG.508A

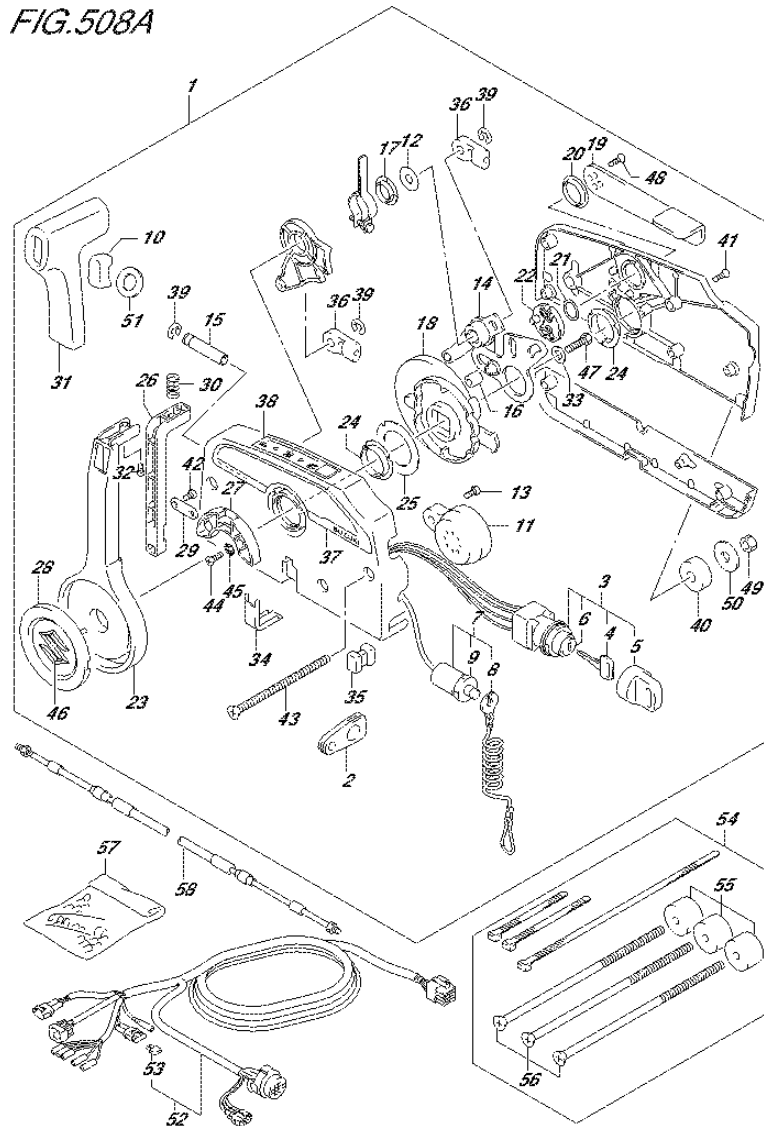


FIG.508A (1-E-13) OPT:REMOTE CONTROL (DF25A P03)

REF NO.	PART NO.	DESCRIPTION	Q'TY	REMARKS
21	67244-95600	.WASHER, WAVE	1	
22	67245-95600	.DRUM, FREE THROTTLE	1	
23	67251-99E20	.LEVER, HANDLE	1	
24	67252-95600	.BUSH	2	
25	67253-95600	.WASHER	1	
26	67255-99E10	.ARM, LOCK	1	
27	67256-95600	.HOLDER, NEUT LOCK	1	
28	67257-99E10	.CAP, LEVER	1	
29	67258-99E00	.BRACKET, LOCK ARM	1	
30	67259-87D00	.SPRING, NEUTRAL ARM	1	
31	67261-99E10	.GRIP	1	
32	67296-94310	.SCREW	1	
33	67264-95600	.WASHER	1	
34	67267-93J00	.COVER, WIRE	1	
35	67273-95600	.SPACER	1	
36	67275-95600	.END, CABLE	2	
37	67282-94L00	.DECAL, REMOCON SIDE	1	
38	67284-94L00	.MARK, HANDLE LEVER	1	
39	67292-94300	.E RING	3	
40	67294-95600	.SPACER	3	
41	67296-90J00	.SCREW	5	
42	67296-94300	.SCREW	2	
43	67296-95600	.SCREW	3	
44	67296-95610	.SCREW	2	
45	67297-95600	.WASHER	2	
46	77811-54GB0-0PG	.EMBLEM, REAR MARK S (CHROME)	1	
47	09100-08232	.BOLT (8X30)	1	
48	09126-05003	.SCREW (5X12)	2	
49	09140-06020	.NUT	3	
50	09160-06104	.WASHER (6.5X24X2)	3	
51	37859-90J00	.SPACER	1	
52	36620-94L00	.WIRE ASSY, REMOTE CONTROL	1	
53	09481-10501	.FUSE (10A)	1	

FIG.508A

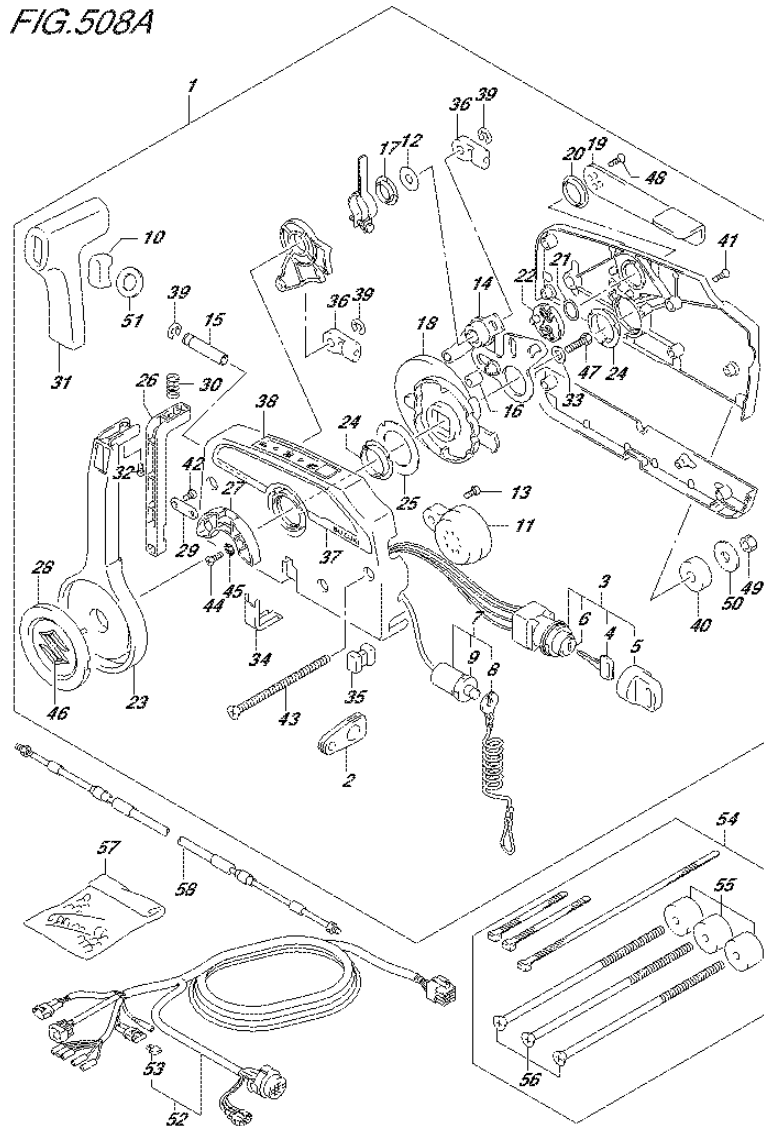
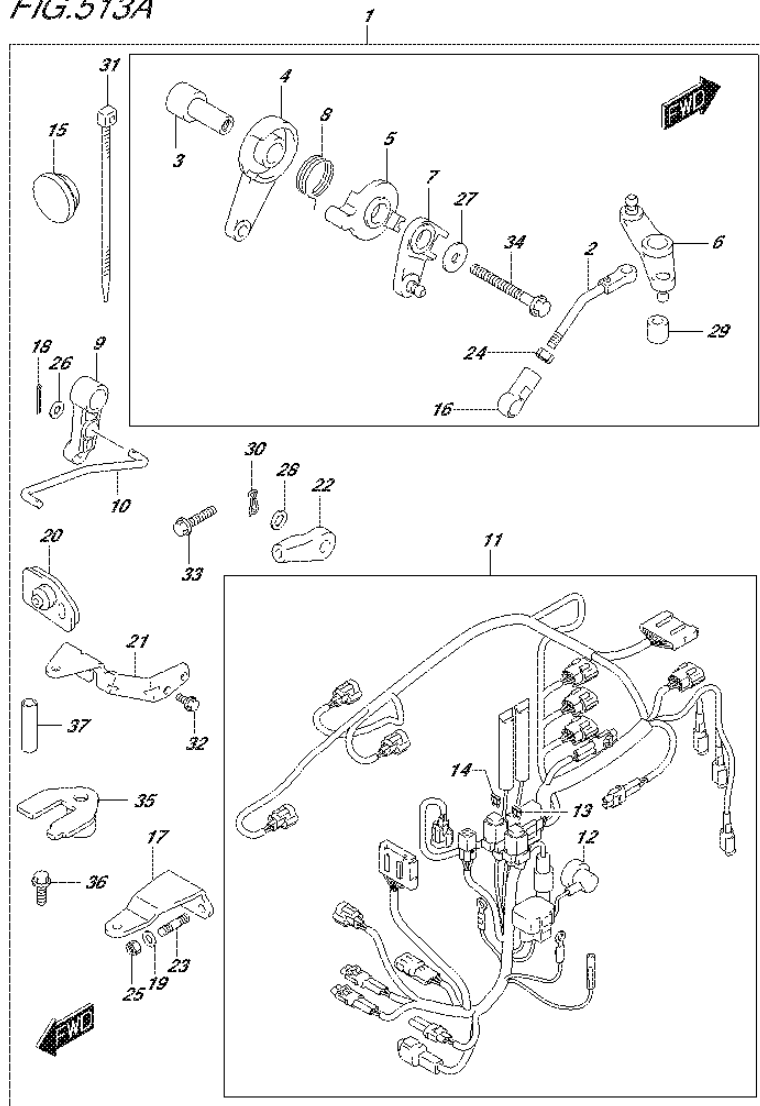


FIG.508A (1-E-14) OPT:REMOTE CONTROL (DF25A P03)

REF NO.	PART NO.	DESCRIPTION	Q'TY	REMARKS
54	67140-95600	ATTACHMENT, TWIN REMOCON KIT	1	
55	67294-95600	.SPACER	3	
56	67296-95620	.SCREW (L:165)	3	
57	36990-87D00	TERMINAL & SLEEVE SET	1	
58-1	67320-93J00	CABLE, REMOCON 8F (2.4M)	1	
58-2	67320-93J10	CABLE, REMOCON 10F (3.1M)	1	
58-3	67320-93J20	CABLE, REMOCON 12F (3.7M)	1	
58-4	67320-93J30	CABLE, REMOCON 14F (4.2M)	1	
58-5	67320-93J40	CABLE, REMOCON 16F (4.8M)	1	
58-6	67320-93J50	CABLE, REMOCON 18F (5.4M)	1	
58-7	67320-93J60	CABLE, REMOCON 20F (6.1M)	1	
58-8	67320-93J70	CABLE, REMOCON 22F (6.7M)	1	
58-9	67320-93J80	CABLE, REMOCON 24F (7.3M)	1	

FIG.513A



DF25A\_30A\_P03\_015\_513A  
OPT:REMOTE CONTROL PARTS

FIG.513A (1-E-15) OPT:REMOTE CONTROL PARTS (DF25A P03)

REF NO.	PART NO.	DESCRIPTION	Q'TY	REMARKS
1	67130-94L00	PARTS SET, R/CON	1	
2	13510-94L00	.ROD, THROTTLE NO.1	1	
3	19116-94L00	.BRACKET, THROTTLE LEVER	1	
4	19120-99J11	.LEVER, THROTTLE CONTROL	1	
5	19122-99J00	.LEVER, INTERLINK THROTTLE NO.2	1	
6	19140-94L00	.LEVER, THROTTLE NO.2	1	
7	19140-94L20	.LEVER, THROTTLE CONTROL NO.2	1	
8	19185-99J00	.SPRING, THROTTLE LEVER	1	
9	21110-94L00	.LEVER, CLUTCH CONTROL	1	
10	23115-94L10	.LINK, CLUTCH LEVER	1	
11	36610-94L20	.HARNASS ASSY, WIRING	1	
12	36618-43410	..CAP, OIL PRESSURE SWITCH	1	
13	09481-10501	..FUSE (10A)	1	
14	09481-30501	..FUSE (30A)	1	
15	37163-89L00	.PLUG, STARTING SWITCH HOLE	1	
16	19131-95502	.CONNECTOR	1	
17	43755-94L00	.ATTACHMENT, STEERING BRACKET	1	
18	09204-01002	.PIN	2	
19	09160-08082	.WASHER (8.5X16X1.2)	2	
20	61124-94L10	.GROMMET, R/CON CABLE	1	
21	67341-94L00	.HOLDER, R/CON CABLE	1	
22	67467-89J01	.CONNECTOR	2	
23	09108-08286	.STUD BOLT	2	
24	09140-05005	.NUT, THROTTLE ROD	1	
25	09159-08059	.NUT	2	
26	09160-05029	.WASHER (5.5X12X0.8)	2	
27	09160-06046	.WASHER (6.5X20X1.5)	2	
28	09160-06055	.WASHER (7X12X1)	2	
29	09180-06230	.SPACER (6.2X12.6X12.5)	1	
30	09385-06012	.CLIP	2	

DF25A\_30A\_P03\_015

FIG.513A

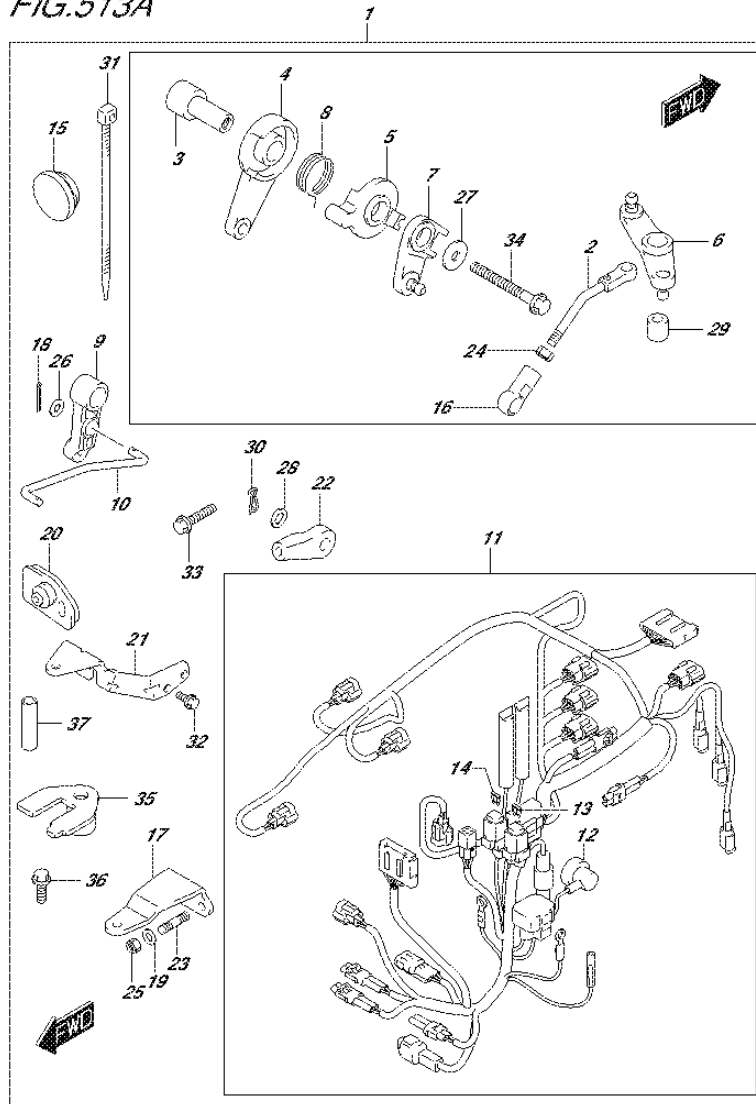


FIG.513A (1-F-2) OPT:REMOTE CONTROL PARTS (DF25A P03)

REF NO.	PART NO.	DESCRIPTION	Q'TY	REMARKS
31	09407-14407	.CLAMP (L:145)	2	
32	01547-06167	.BOLT	2	
33	01550-06257	.BOLT	1	
34	01550-06557	.BOLT	1	
35	67343-94L00	.STOPPER, R/CON CABLE	1	
36	09116-06225	.BOLT, R/CON CABLE STOPPER	1	
37	09252-70103-014	.CUSHION, R/CON CABLE	2	

FIG.515A

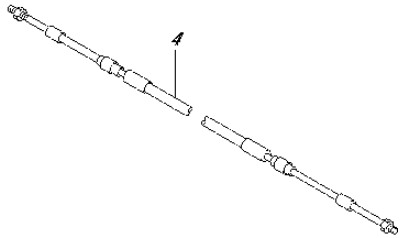
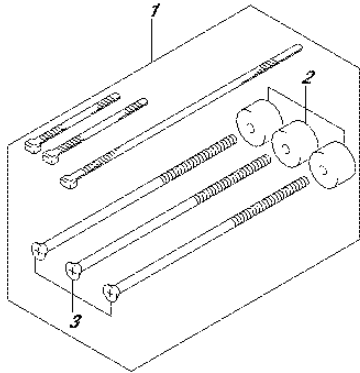


FIG.515A (1-F-3) OPT:REMOCON CABLE (DF25AR P03)

REF NO.	PART NO.	DESCRIPTION	Q'TY	REMARKS
1	67140-95600	ATTACHMENT, TWIN REMOCON KIT	1	
2	67294-95600	.SPACER	3	
3	67296-95620	.SCREW (L:165)	3	
4-1	67320-93J00	CABLE, REMOCON 8F (2.4M)	1	
4-2	67320-93J10	CABLE, REMOCON 10F (3.1M)	1	
4-3	67320-93J20	CABLE, REMOCON 12F (3.7M)	1	
4-4	67320-93J30	CABLE, REMOCON 14F (4.2M)	1	
4-5	67320-93J40	CABLE, REMOCON 16F (4.8M)	1	
4-6	67320-93J50	CABLE, REMOCON 18F (5.4M)	1	
4-7	67320-93J60	CABLE, REMOCON 20F (6.1M)	1	
4-8	67320-93J70	CABLE, REMOCON 22F (6.7M)	1	
4-9	67320-93J80	CABLE, REMOCON 24F (7.3M)	1	

FIG.517A

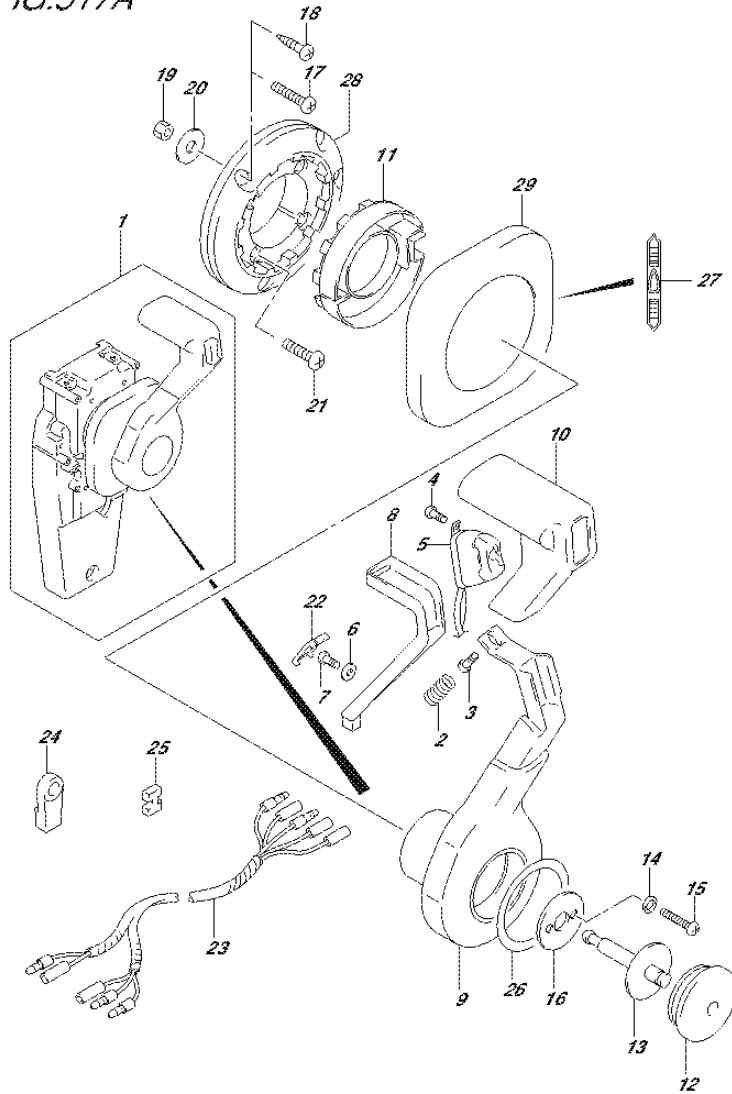
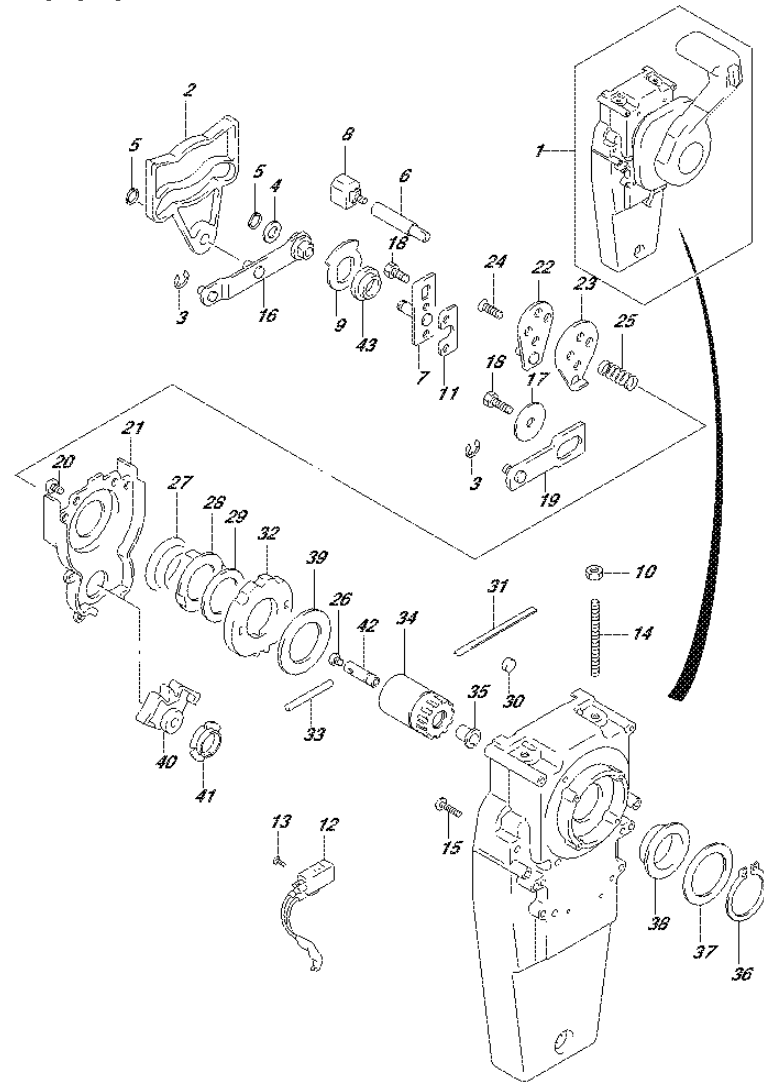


FIG.517A (1-F-4) OPT:CONCEALED REMOCON (1) (DF25AR P03)

REF NO.	PART NO.	DESCRIPTION	Q'TY	REMARKS
1	67200-93J32	REMOTE CONTROL ASSY	1	
2	67298-92E50	.SPRING	1	
3	67296-94310	.SCREW	1	
4	67295-92E10	.SCREW	2	
5	37850-92E26	.SWITCH ASSY, PTT	1	
6	67288-92E60	.WASHER	1	
7	09125-04021	.SCREW (4X20)	1	
8	67255-92E50	.ARM, NEUTRAL LOCK	1	
9	67251-92E50	.LEVER	1	
10	67261-92E50	.GRIP	1	
11	67256-92E50	.HOLDER, NEUTRAL LOCK	1	
12	67257-92E00	.CAP, LEVER	1	
13	67242-92E50	.SHAFT, FREE ACC	1	
14	67288-92E20	.WASHER	6	
15	67296-88D10	.SCREW (5X16)	4	
16	67288-92E70	.WASHER	1	
17	67296-88D20	.SCREW	3	
18	67295-92E50	.SCREW	3	
19	67287-92E50	.NUT	3	
20	09160-06104	.WASHER (6.5X24X2)	3	
21	67296-88D30	.SCREW	4	
22	67254-92E50	.COVER, LOCK ARM	1	
23	36890-93J00	.WIRING ASSY	1	
24	67275-95600	.END CABLE	2	
25	67273-95600	.SPACER	1	
26	67283-92E50	.DECAL, LEVER	1	
27	67284-92E50	.DECAL, CLUTCH	1	
28	67274-92E50	.BASE	1	
29	67211-92E50	.COVER	1	

FIG.518A

FIG.518A (1-F-5) OPT:CONCEALED REMOCON (2) (DF25AR P03)



REF NO.	PART NO.	DESCRIPTION	Q'TY	REMARKS
1	67200-93J32	REMOTE CONTROL ASSY	1	
2	67222-92E50	.DUEL PLATE	1	
3	67292-94300	.E RING	3	
4	67288-92E10	.WASHER	1	
5	67291-92E00	.SNAP RING	2	
6	67223-92E50	.BRAKE ADJUST	1	
7	67221-92E50	.HOLDER ASSY	1	
8	67224-92E50	.BRAKE SHOE ASSY	1	
9	67225-92E50	.DISK, BRAKE	1	
10	09140-06020	.NUT	2	
11	67294-92E00	.SPACER	1	
12	37721-95500	.SWITCH ASSY, NEUTRAL	1	
13	67296-92E11	.SCREW	2	
14	67226-92E10	.BOLT, STOPPER (REAR)	2	
15	67296-92E20	.SCREW (5X25)	2	
16	67240-92E50	ARM ASSY, THROTTLE	1	
17	67228-92E00	.WASHER	1	
18	67286-92E00	.BOLT (6X18)	3	
19	67230-92E00	ARM ASSY, SHIFT	1	
20	09125-05042	.SCREW (5X10)	11	
21	67234-92E00	.GEAR CASE	1	
22	67245-92E00	LEVER ASSY, THROTTLE	1	
23	67227-92E00	.STOPPER	1	
24	67296-88D10	.SCREW (5X16)	2	
25	67225-92E00	.SPRING	1	
26	09125-04004	.SCREW (4X6)	1	
27	67233-92E00	.SPRING	1	
28	67235-92E00	.PLATE, SHIFT LOCK	1	
29	67239-92E10	.PLATE, SHIFT PIN	1	
30	67236-92E00	.ROLLER	1	
31	67237-92E01	.SPRING	5	
32	67238-92E50	.GEAR, DRIVE	1	
33	67239-92E00	.PIN	1	
34	67246-92E50	.SHAFT, DRIVE	1	



FIG.518A

FIG.518A (1-F-6) OPT:CONCEALED REMOCON (2) (DF25AR P03)

REF NO.	PART NO.	DESCRIPTION	Q'TY	REMARKS
35	67252-92E00	.BUSH	1	
36	67291-92E10	.SNAP RING	1	
37	67253-92E10	.WASHER	1	
38	67252-92E10	.BUSH	1	
39	67253-95600	.WASHER	1	
40	67231-92E00	.GEAR, SHIFT	1	
41	67232-95600	.BUSH	1	
42	67241-92E50	.ROD, FREE ACC	1	
43	67232-92E50	.BUSH	1	

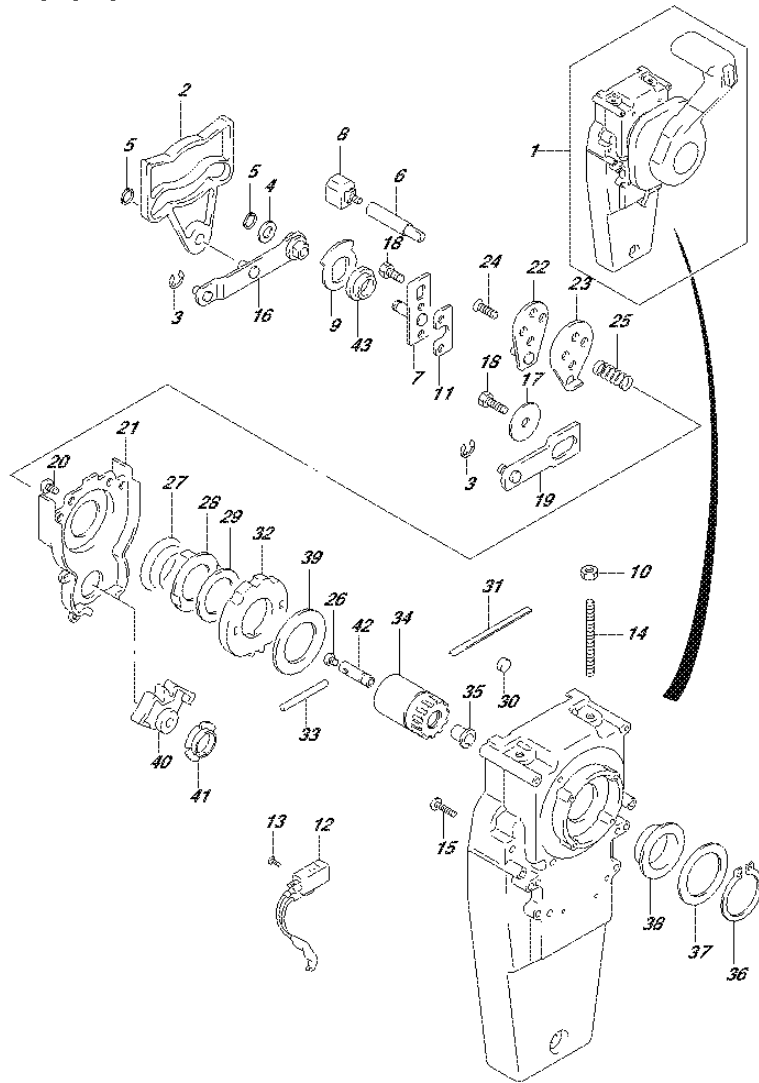


FIG.519A

FIG.519A (1-F-7) OPT:REMOTE CONTROL SPACER

REF NO.	PART NO.	DESCRIPTION	Q'TY	REMARKS
1	67500-93J00	KIT, R/CON SPACER SINGLE	1	
2	09125-05135	.SCREW (5X65)	4	
3	09140-05005	.NUT	4	
4	09160-05029	.WASHER (5.5X12X0.8)	4	

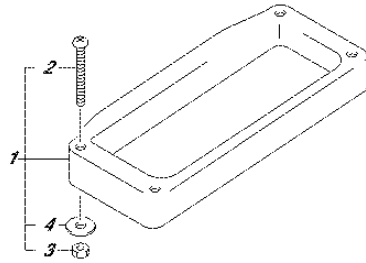


FIG.521A

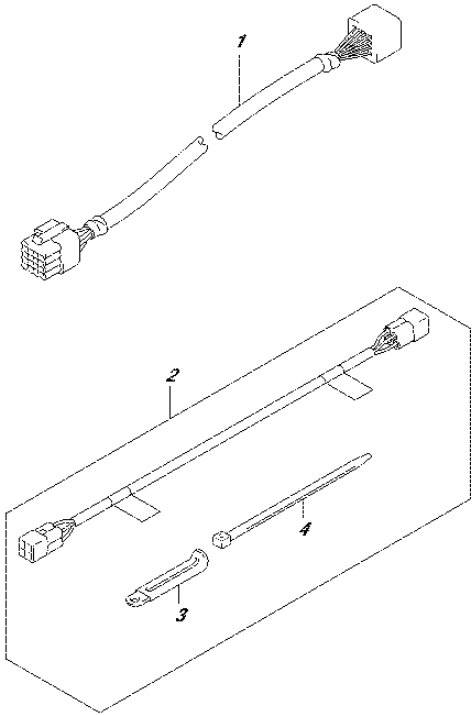


FIG.521A (1-F-8) OPT:HARNESS (DF25AR P03)

REF NO.	PART NO.	DESCRIPTION	Q'TY	REMARKS
1-1	36620-93J10	WIRE ASSY, REMOCON EXTENSION	1	L:2000
1-2	36620-93J40	WIRE ASSY, REMOCON EXTENSION	1	L:3000
2	36660-89L00	SET, ENGINE TO INTERFACE WIRE	1	
3	29404-93J10	.CLAMP	1	
4	09407-14407	.CLAMP (L:145)	3	

FIG.530A

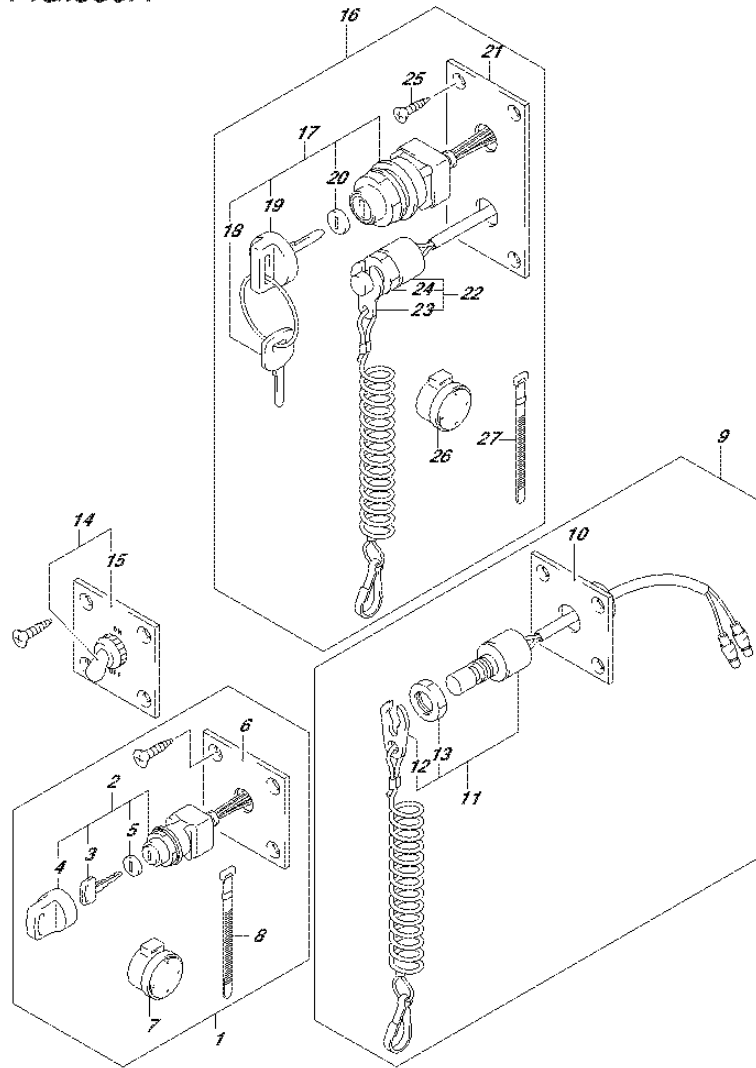


FIG.530A (1-F-9) OPT:SWITCH (DF25AR P03)

REF NO.	PART NO.	DESCRIPTION	Q'TY	REMARKS
1	37100-96J00	PANEL ASSY, IGNITION SW	1	
2	37110-93J01	..SWITCH ASSY, IGNITION	1	
3-1	37141-99E00	..KEY (931)	2	
3-2	37141-99E10	..KEY (932)	2	
3-3	37141-99E20	..KEY (933)	2	
3-4	37141-99E30	..KEY (934)	2	
3-5	37141-99E40	..KEY (935)	2	
3-6	37141-99E50	..KEY (936)	2	
3-7	37141-99E60	..KEY (937)	2	
3-8	37141-99E70	..KEY (938)	2	
3-9	37141-99E80	..KEY (939)	2	
3-10	37141-99E90	..KEY (940)	2	
3-11	37141-99EA0	..KEY (941)	2	
3-12	37141-99EB0	..KEY (942)	2	
4	37143-99E00	..CAP, KEY	1	
5	37149-93J00	..CAP, CYLINDER BODY	1	
6	37139-99E00	..PANEL, IGNITION SW	1	
7	38500-93J90	..BUZZER ASSY, WARNING	1	
8	09407-08401	..CLAMP (L:80)	1	
9	37803-93J04	PANEL ASSY, EMERGENCY SW	1	
10	37825-99E00	..PANEL, EMERGENCY SW	1	
11	37820-93J04	..SWITCH ASSY, EMERGENCY STOP	1	
12	37823-92E01	..PLATE ASSY, EMERGENCY SWITCH LOCK	1	
13	37826-92J00	..NUT	1	
14	37210-93J00	PANEL ASSY, LIGHTING SW	1	
15	37212-93J00	..PANEL, LIGHTING SW	1	

FIG.530A

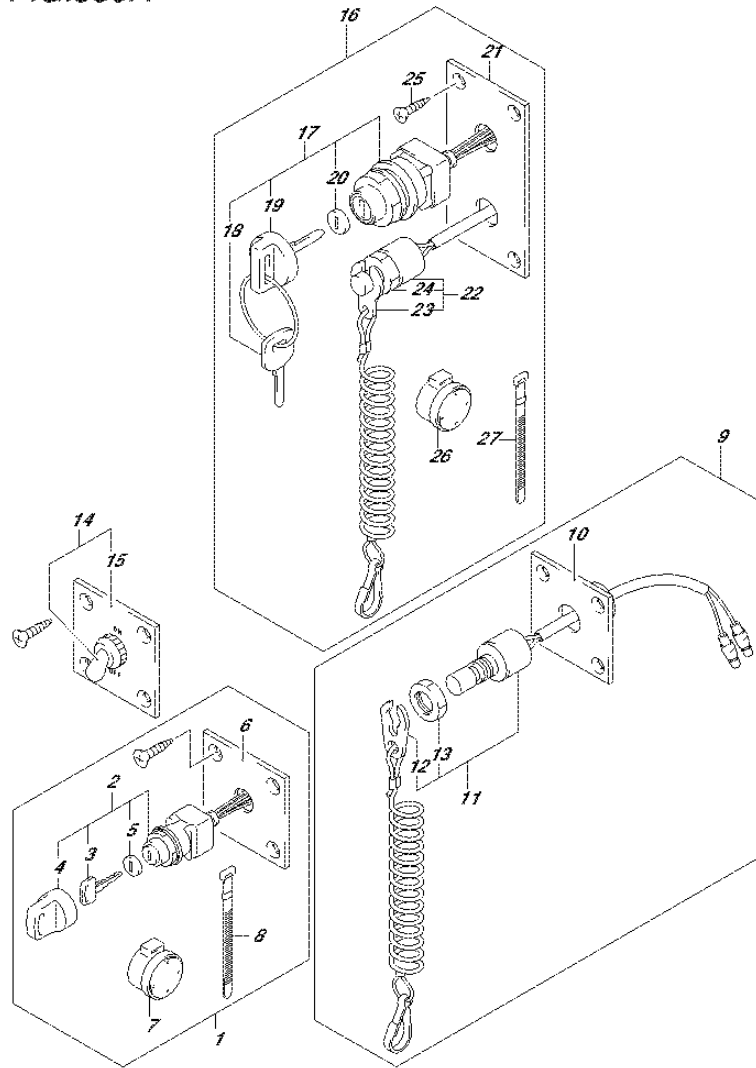


FIG.530A (1-F-10) OPT:SWITCH (DF25AR P03)

REF NO.	PART NO.	DESCRIPTION	Q'TY	REMARKS
16	37100-96J24	PANEL ASSY, ENGINE SW	1	
17	37110-93J01	..SWITCH ASSY, IGNITION	1	
18-1	37141-99E00	..KEY (931)	2	
18-2	37141-99E10	..KEY (932)	2	
18-3	37141-99E20	..KEY (933)	2	
18-4	37141-99E30	..KEY (934)	2	
18-5	37141-99E40	..KEY (935)	2	
18-6	37141-99E50	..KEY (936)	2	
18-7	37141-99E60	..KEY (937)	2	
18-8	37141-99E70	..KEY (938)	2	
18-9	37141-99E80	..KEY (939)	2	
18-10	37141-99E90	..KEY (940)	2	
18-11	37141-99EA0	..KEY (941)	2	
18-12	37141-99EB0	..KEY (942)	2	
19	37143-99E00	..CAP, KEY	1	
20	37149-93J00	..CAP, CYLINDER BODY	1	
21	37139-99E20	..PANEL, IGNITION SWITCH	1	
22	37820-93J04	..SWITCH ASSY, EMERGENCY	1	
23	37823-92E01	..PLATE ASSY, EMERGENCY	1	
24	37826-92J00	..NUT	1	
25	03121-0516A	..SCREW	4	
26	38500-93J90	..BUZZER ASSY, WARNING	1	
27	09407-08401	..CLAMP (L:80)	1	

FIG.544A

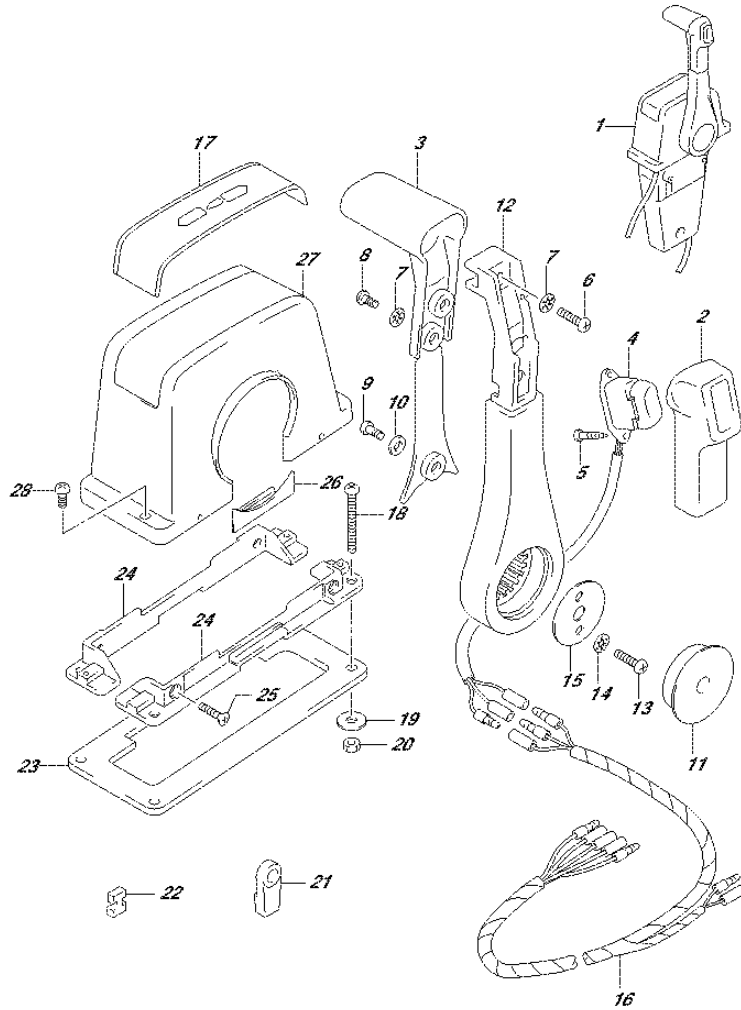


FIG.544A (1-F-11) OPT:REMOTE CONTROL ASSY SINGLE (1) (DF25AR P03)

REF NO.	PART NO.	DESCRIPTION	Q'TY	REMARKS
1	67200-93J13	REMOTE CONTROL ASSY	1	
2	67261-93J00	.GRIP, NO.1	1	
3	67263-93J00	.GRIP, NO.2	1	
4	37850-93J10	.SWITCH ASSY, PTT	1	
5	67295-92E10	.SCREW	2	
6	67296-88D10	.SCREW	1	
7	67288-92E20	.WASHER	3	
8	67295-92E00	.SCREW	2	
9	67296-92E70	.SCREW	1	
10	67288-92E40	.WASHER	1	
11	67257-92E00	.CAP, LEVER	1	
12	67251-93J00	.LEVER, HANDLE	1	
13	67296-92E60	.SCREW	2	
14	67288-92E30	.WASHER	2	
15	67253-92E00	.WASHER	1	
16	36890-93J00	.WIRE HARNESS	1	
17	67281-93J00	.DECAL	1	
18	67296-92E30	.SCREW	4	
19	09160-05024	.WASHER (5.5X16X1.5)	4	
20	67287-92E00	.NUT	4	
21	67275-95600	.END, CABLE	2	
22	67273-95600	.SPACER	1	
23	67273-92E00	.GROMMET	1	
24	67274-92E00	.FLANGE	2	
25	67296-95610	.SCREW	4	
26	67271-92E00	.COVER	1	
27	67211-93J00	.COVER	1	
28	67296-92E70	.SCREW	2	

FIG.545A

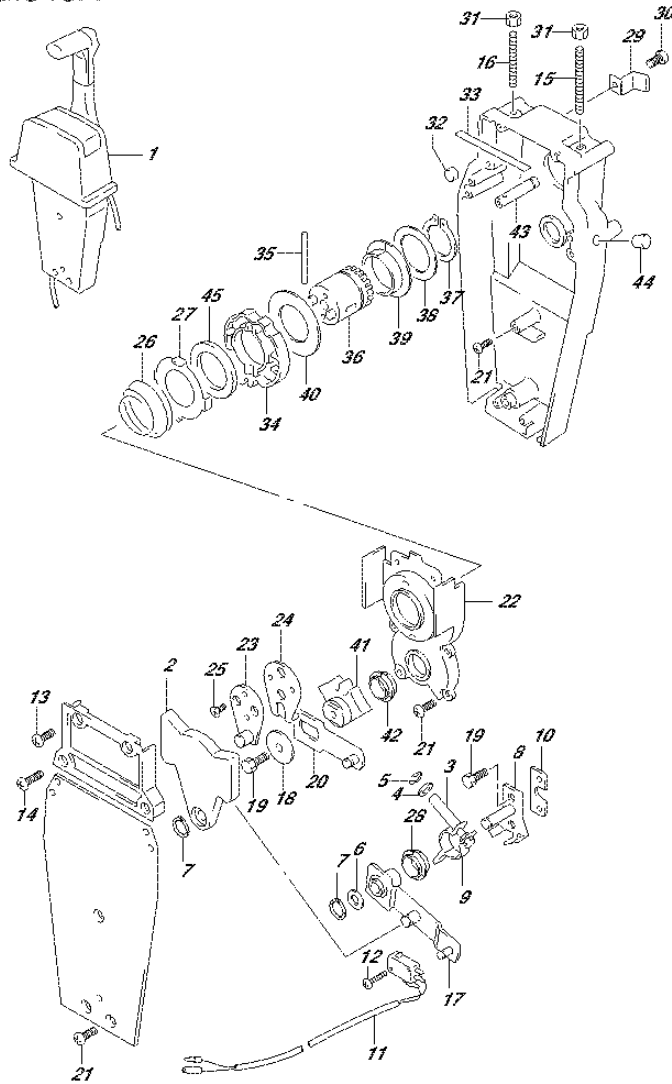


FIG.545A (1-F-12) OPT:REMOTE CONTROL ASSY SINGLE (2) (DF25AR P03)

REF NO.	PART NO.	DESCRIPTION	Q'TY	REMARKS
1	67200-93J13	REMOTE CONTROL ASSY	1	
2	67222-92E00	.DUAL PLATE	1	
3	67223-92E00	.BRAKE ADJUST	1	
4	67288-92E00	.WASHER	1	
5	67292-94300	.E RING	4	
6	67288-92E10	.WASHER	1	
7	67291-92E00	.SNAP RING	2	
8	67221-92E00	.SHIFT ASSY	1	
9	67224-92E00	.BRAKE ARM ASSY	1	
10	67294-92E00	.SPACER	1	
11	37721-95500	.SWITCH ASSY, N/R	1	
12	67296-92E11	.SCREW (3X15)	2	
13	67296-88D10	.SCREW (5X16)	2	
14	67296-92E20	.SCREW (5X25)	2	
15	67226-92E00	.BOLT, STOPPER FRONT	1	
16	67226-92E10	.BOLT, STOPPER REAR	1	
17	67240-92E00	.ARM ASSY, THROTTLE	1	
18	67228-92E00	.WASHER	1	
19	67286-92E00	.BOLT (6X18)	3	
20	67230-92E00	.SHIFT ARM ASSY	1	
21	09125-05042	.SCREW (5X10)	9	
22	67234-92E00	.CASE, GEAR	1	
23	67245-92E00	.LEVER ASSY, THROTTLE	1	
24	67227-92E00	.STOPPER	1	
25	09126-06006	.SCREW (6X20)	2	
26	67233-92E00	.SPRING	1	
27	67235-92E00	.PLATE, SHIFT LOCK	1	
28	67232-95620	.BUSH	1	
29	67269-92E00	.BRACKET	1	
30	67296-88D10	.SCREW	1	
31	09140-06020	.NUT	2	
32	67236-92E00	.ROLLER	1	
33	67237-92E01	.SPRING	6	
34	67238-92E00	.GEAR, DRIVE	1	

FIG.545A

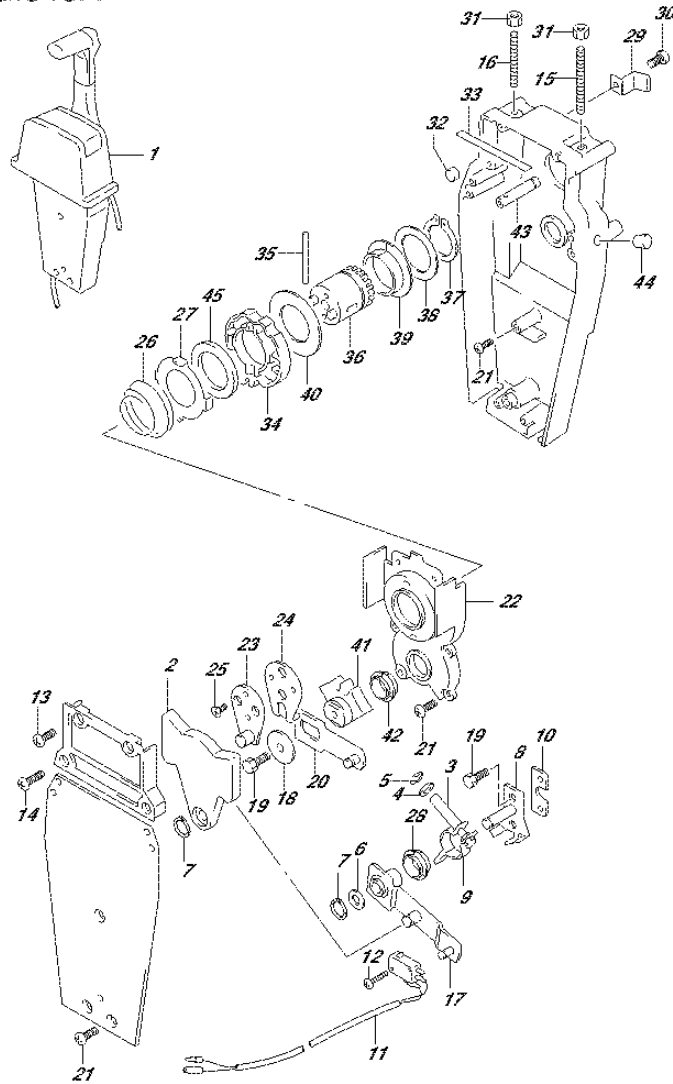


FIG.545A (1-F-13) OPT:REMOTE CONTROL ASSY SINGLE (2) (DF25AR P03)

REF NO.	PART NO.	DESCRIPTION	Q'TY	REMARKS
35	67239-92E00	.PIN	1	
36	67246-92E00	.SHAFT, DRIVE	1	
37	67291-92E10	.SNAP RING	1	
38	67253-92E10	.WASHER	1	
39	67252-92E10	.BUSH	1	
40	67253-95600	.WASHER	1	
41	67231-92E00	.GEAR, SHIFT	1	
42	67232-95600	.BUSH	1	
43	67241-92E10	.ROD, FREE ACC	1	
44	67243-92E00	.CAP, HOLE	1	
45	67239-92E10	.PLATE, SHIFT PIN	1	



FIG.553A

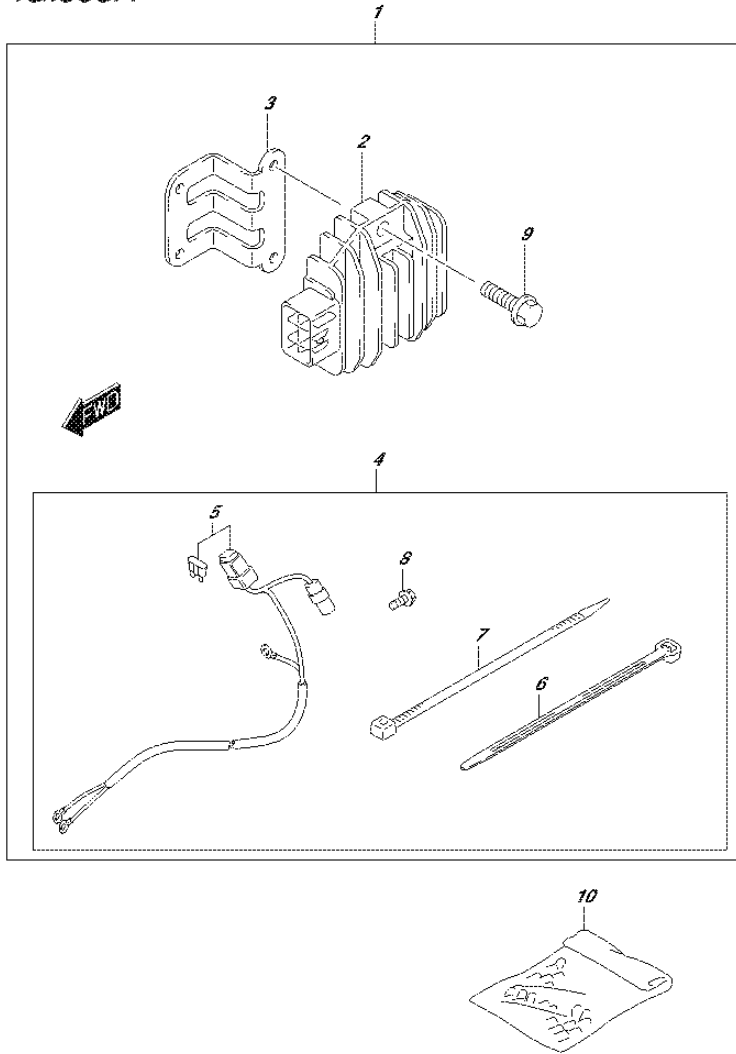


FIG.553A (1-F-14) OPT:ELECTRICAL (MANUAL STARTER) (DF25A P03)

REF NO.	PART NO.	DESCRIPTION	Q'TY	REMARKS
1	32000-94L00	KIT, BATTERY CHARGING	1	
2	32800-88L00	.RECTIFIER & REGULATOR ASSY	1	
3	32815-94L00	.BRACKET, RECTIFIER	1	
4	39600-94L00	.RECEPTACLE SET	1	
5	36740-94L00	..CASE ASSY, FUSE	1	
6	09407-14403	..CLAMP (L:125)	2	
7	09407-14407	..CLAMP (L:145)	3	
8	01550-06127	..BOLT	1	
9	01550-06207	.BOLT	2	
10	36990-87D00	TERMINAL & SLEEVE SET	1	

FIG.561A

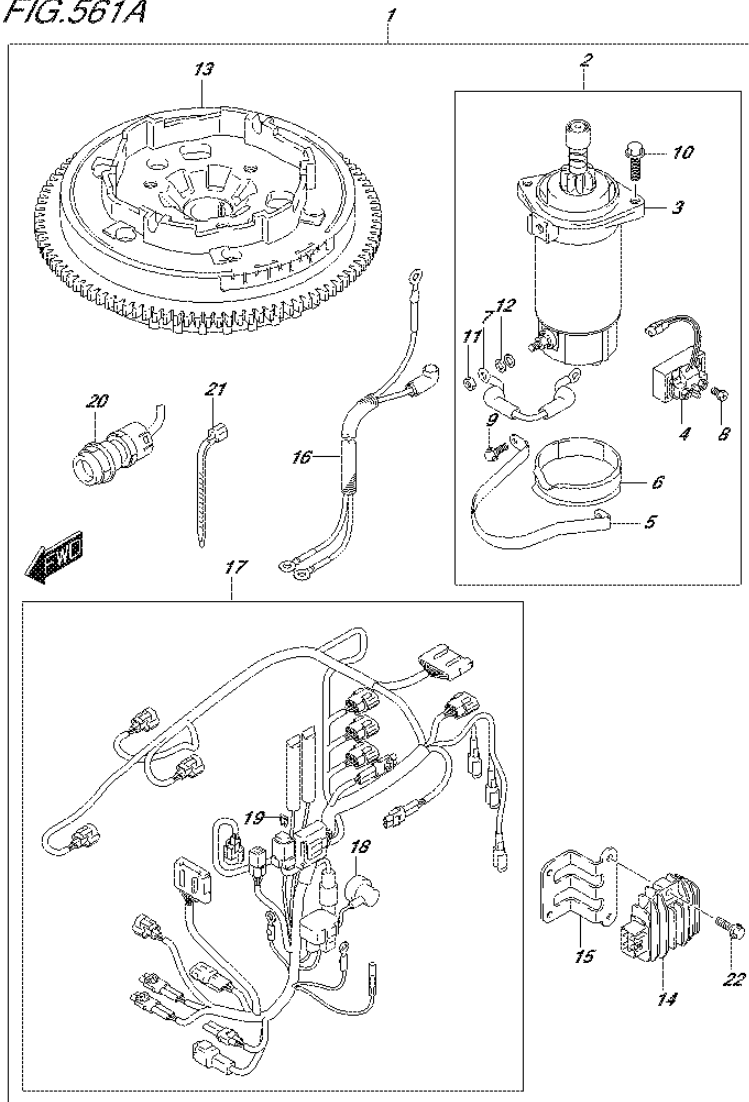


FIG.561A (1-F-15) OPT:STARTING MOTOR (MANUAL STARTER) (DF25A P03)

REF NO.	PART NO.	DESCRIPTION	Q'TY	REMARKS
1	31000-94L00	STARTER SET, ELECTRIC	1	
2	31101-94L00	.MOTOR SET, STARTER	1	
3	31100-94401	..MOTOR ASSY, STARTING	1	
4	31800-94L00	..RELAY ASSY, STARTER MOTOR	1	
5	31912-94L00	..BAND, STARTER MOTOR	1	
6	31918-94401	..DAMPER, LOWER	1	
7	33820-89E01	..CABLE, PLUS TERM TO RELAY	1	
8	09128-06013	..SCREW (6X8)	2	
9	01550-06167	..BOLT	2	
10	01550-08257	..BOLT	2	
11	08310-00067	..NUT	1	
12	08321-01067	..WASHER, LOCK	1	
13	32102-94L10	FLYWHEEL, MAGNETO	1	
14	32800-88L00	.RECTIFIER & REGULATOR ASSY	1	
15	32815-94L00	.BRACKET, RECTIFIER	1	
16	33810-94L00	.CABLE, STARTER	1	
17	36610-94L10	.HARNESS ASSY, WIRING(ME)	1	
18	36618-43410	..CAP, OIL PRESSURE SWITCH	1	
19	09481-30501	..FUSE (30A)	1	
20	37161-89L00	.SWITCH ASSY, STARTER MOTOR	1	
21	09407-18402	.CLAMP (L:165)	1	
22	01550-06207	.BOLT	2	

FIG.575A

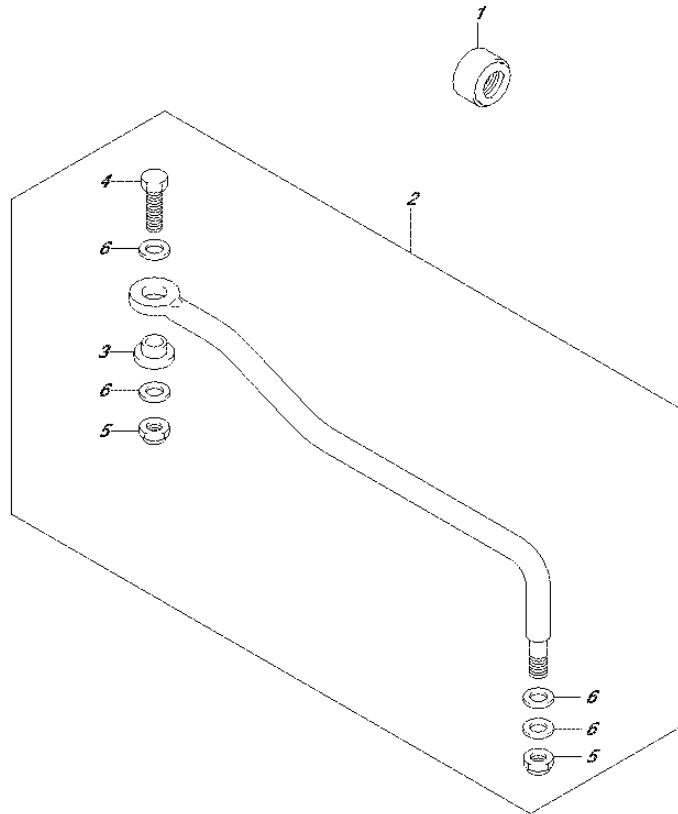


FIG.575A (1-G-2) OPT:DRAG LINK (DF25A P03)

REF NO.	PART NO.	DESCRIPTION	Q'TY	REMARKS
1	41161-94400	SEAL, STEERING CABLE	1	
2	67701-94L00	LINK ASSY, DRAG	1	
3	67721-94L00	.SPACER	1	
4	67725-96J00	.BOLT	1	
5	67726-99E00	.NUT	2	
6	67728-99E00	.WASHER	4	



FIG.588A

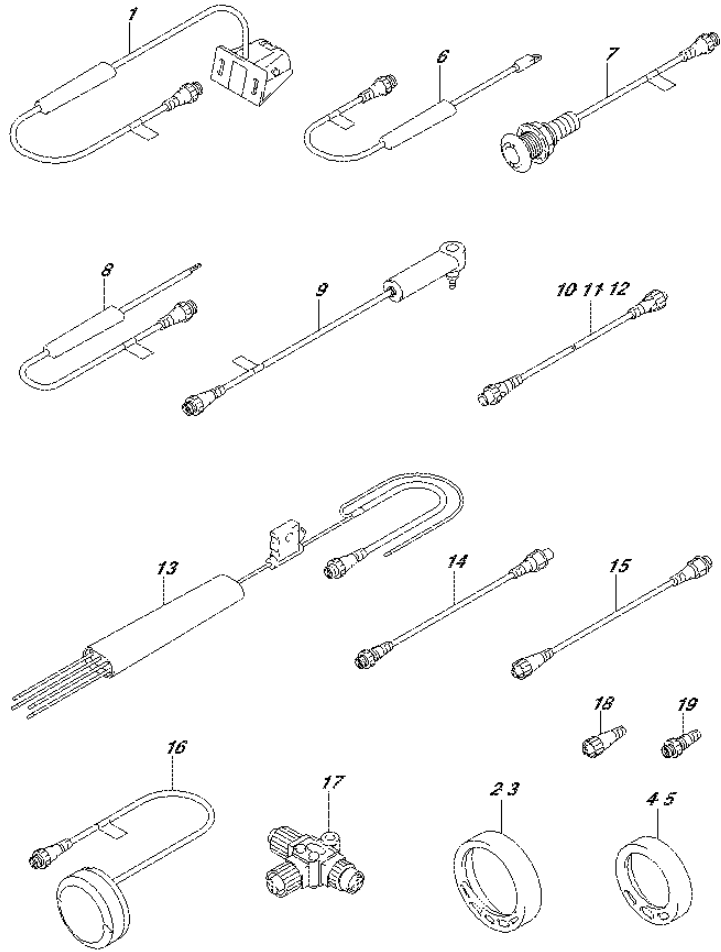


FIG.588A (1-G-3) OPT:LOWRANCE GAUGE (DF25AR P03)

REF NO.	PART NO.	DESCRIPTION	Q'TY	REMARKS
1	34190-88L00	SENSOR ASSY,PAD WHEEL	1	
2	34193-88L00	BEZEL, 4 IN CHR	1	
3	34193-88L20	BEZEL, 4 IN WHITE	1	
4	34193-88L40	BEZEL, 2 IN CHR	1	
5	34193-88L60	BEZEL, 2 IN WHITE	1	
6	34455-88L00	SENSOR ASSY, WATER TEMP	1	
7	34455-88L10	SENSOR ASSY, WATER TEMP	1	
8	34810-88L00	SENSOR ASSY, FLUID LEVEL	1	
9	34960-88L00	SENSOR ASSY, WATER PRESSURE	1	
10	36662-88L10	WIRE, 2 EXTENSION	1	
11	36662-88L20	WIRE, 6 EXTENSION	1	
12	36662-88L30	WIRE, 15 EXTENSION	1	
13	36663-88L10	HARNESS ASSY, NETWORK POWER	1	
14	36666-88L00	WIRE, ADAPTER TO N NETWORK	1	
15	36666-88L10	WIRE, ADAPTER TO L NETWORK	1	
16	39950-88L00	MODULE ASSY, GPS RECEIVER	1	
17	36664-88L00	CONNECTOR, BRANCH	1	
18	36665-88L00	UNIT, RESISTOR FEMALE	1	
19	36665-88L10	UNIT, RESISTOR MALE	1	

PART NO.	FIG.NO.-REF.NO.	PART NO.	FIG.NO.-REF.NO.	PART NO.	FIG.NO.-REF.NO.
10000		13510-94L00	166B-1	16431-94L00	175A-2
			513A-2	16440-11D00	113A-6
		13640-32G20	334A-1	16510-87JL0	175A-5
			334B-1	16519-94L00	175A-6
		13650-52G00	334A-9	16520-94L00	175A-7
	11110-94L00	111A-1	334B-8	16910-94L00	175A-10
	11112-84400	113A-2	334A-10	16930-94L00	175A-11
	11115-30D70	111A-14	334B-9	17400-94L00	160A-18
	11119-94L00	111A-2	122A-16	17411-94L00	160A-1
	11141-94L00	111A-3	13800-94L00	122A-14	17413-94L00
	11162-94L00	111A-5	13810-94L00	122A-15	17461-94L00
	11170-94L00	111A-6	13812-94L00	122A-17	17462-94L00
	11174-94L00	111A-7	13813-94L00	122A-18	17471-94L00
11261-93J00	139A-7	13815-94L00	122A-19	17472-94L00	
11291-94L00	113A-7	13816-94L00	122A-20	17561-94L00	
11301-94L00	113A-1	13817-94L00	122A-21	17561-94L10	
11382-93E00	111A-8	13820-94L00	122A-23	17562-94L00	
12100-89L00-050	116A-10	13841-94L00	122A-22	17564-94L00	
12111-89L00-0B0	116A-1	13851-94L00	122A-24	17565-94L00	
12140-89L00	116A-2	14110-94L00	139A-1	17631-94L00	
12140-89L00-050	116A-11	14151-94L00	139A-2	17632-94L00	
12151-89L00	116A-3	15100-94L00	146A-22	17670-94J00	
12160-89L00	116A-5	15131-94L00	146A-23	17680-94L00	
12163-89L00	116A-6	15191-94L00	146A-24	17685-94L00	
12220-94L00	116A-7	15192-94L00	146A-25	17712-94L00	
12341-89L10	116A-8	15193-94L00	146A-26	17913-93J00	
12631-94L00	120A-1	15194-94L00	146A-27	17914-93J00	
12635-89L00	120A-2	15194-94L10	146A-28	17917-87L00	
12637-89L00	120A-3	15194-94L20	146A-29	18100-94L00	
12638-89L00	120A-4	15194-94L30	146A-30	18117-78K00	
12700-94L00	121A-1	15194-94L40	146A-31	18119-94L00	
12741-94L00	120A-5	15200-94L00	146A-1	18121-94JL0	
12744-94L00	120A-6	15211-91J00-350	162A-5	18130-93E01	
12761-94L00	120A-12	15217-94L00	146A-2	18132-89L00	
12764-94L00	120A-13	15410-87L00	146A-32	18142-93E00	
12840-94L00	121A-3	15410-94L00	146A-3	18173-94L00	
12842-09J00	121A-4	15419-87J00	146A-33	18193-94L00	
12843-27A00	121A-5	15421-94L00	146A-35	18194-94L00	
12861-94L00	121A-6	15422-94L00	146A-36	18210-95L00	
12862-94L00	121A-7	15600-94L00	146A-4	18280-93E00	
12911-94L00	121A-10	15629-89L00	146A-8	18290-94L00	
12915-94L00	121A-11	15662-94L00	146A-17	18295-94L00	
12921-94L00	121A-12	15674-94L00	146A-5	18498-94J00-170	
12931-09420	121A-13	15681-94L00	144A-1	18590-58M00	
12932-09G00	121A-14	15710-82M00	144A-2	334A-11	
12933-94L00	121A-15	15715-82M00	144A-3	334B-10	
13110-94L00	122A-1	15750-94L00	144A-4	19116-94L00	
13119-94L00	122A-2	15770-94L00	146A-6	19120-99J11	
13125-94L00	122A-3	15820-94L00	146A-7	513A-3	
13300-94L00	163A-1	16400-94L00	175A-1	166B-3	
				513A-4	

PART NO.	FIG.NO.-REF.NO.	PART NO.	FIG.NO.-REF.NO.	PART NO.	FIG.NO.-REF.NO.
19122-99J00	166B-4	25311-94L00	210A-3		310B-3
	513A-5	29141-93J00	160A-13		553A-3
19131-95502	166B-5		210A-8		561A-15
	513A-16		335A-12	32890-94L00	310A-4
19137-94L00	166A-1	29404-93J10	501A-15		310B-4
	166B-6		521A-3	33220-50M00	303A-4
19140-94L00	166B-7				303B-4
	513A-6			33410-94L00	310A-10
19140-94L10	166A-2				310B-10
19140-94L20	166B-8			33446-94L00	310A-11
	513A-7				310B-11
19184-94L00	166A-3			33510-16H10	310A-15
19185-99J00	166B-9				310B-15
	513A-8			33541-16H00	310A-16
					310B-16
		31000-94L00	561A-1	33542-16H00	310A-12
		31100-94401	301A-1		310B-12
			561A-3	33634-94L00	322A-3
			561A-2		322B-2
		31101-94L00	301A-3	33810-94L00	322A-1
		31131-96300	301A-4		322B-1
21110-94L00	206B-1	31132-96300	301A-5		561A-16
	513A-9	31135-89J00	301A-2	33820-89E01	301A-13
21111-89L00	206A-1	31173-89J00	301A-6		561A-7
21122-94L00	206A-2	31281-93340	301A-7	33833-91J00	444A-21
	206B-2	31310-96300	301A-8	33920-94L00	310A-17
21131-94J00	444A-31	31312-96300	301A-9		310B-17
21151-94L00	206A-3	31320-94400	301A-10	33925-94L00	310A-18
	206B-3	31360-96300	310A-19		310B-18
21210-94L00	206A-4	31800-94L00	310B-19	34011-88L03	501A-1
	206B-4		561A-4	34011-89L01	501A-7
22511-99011	336A-1	31912-94L00	301A-11	34100-93J20	501A-28-1
	336B-1		561A-5	34100-93J31	501A-28-2
23111-94L00	206A-5-1		301A-12	34100-93J40	501A-28-3
	206B-5-1	31918-94401	561A-6	34100-93J51	501A-28-4
23111-94L10	206A-5-2		553A-1	34190-87D00	501A-35
	206B-5-2	32000-94L00	303A-1	34190-88L00	588A-1
23115-94L00	206A-6	32102-94L00	303B-1	34190-95500	501A-33
23115-94L10	206B-6	32102-94L10	561A-13	34191-92E00	501A-30
	513A-10		303A-2	34193-88L00	588A-2
23131-94L00	410A-20	32120-94L00	303B-2	34193-88L20	588A-3
	410B-20		303A-3	34193-88L40	588A-4
23211-94L00	206A-7	32160-94L00	303B-3	34193-88L60	588A-5
	206B-7		310A-2	34200-87L12	501A-17
23311-95J00	210A-1	32800-88L00	310B-2	34200-88L02	501A-2
25111-94L00	210A-2		553A-2	34200-93J00	501A-38-1
25211-94L00	210A-5		561A-14	34200-93J12	501A-38-2
25215-94L00	210A-6		310A-1	34200-93J20	501A-36-1
25222-94L00	210A-9	32800-94L00	310B-1	34200-93J32	501A-36-2
25231-96301	210A-10		310A-3	34211-87L00	501A-18
25232-96302	210A-11	32815-94L00			

PART NO.	FIG.NO.-REF.NO.	PART NO.	FIG.NO.-REF.NO.	PART NO.	FIG.NO.-REF.NO.
34300-93J00	501A-40-1	36662-88L30	588A-12		530A-18-4
34300-93J11	501A-40-2	36663-88L00	501A-4	37141-99E40	450A-4-5
34310-92E00	501A-41		501A-11		508A-4-5
34360-92E00	501A-42		501A-45		530A-3-5
34455-88L00	588A-6	36663-88L10	588A-13		530A-18-5
34455-88L10	588A-7	36663-98J00	501A-23-1	37141-99E50	450A-4-6
34500-93J00	501A-25-1	36663-98J10	501A-23-2		508A-4-6
34500-93J11	501A-25-2	36664-88L00	588A-17		530A-3-6
34600-93J00	501A-26-1	36665-88L00	501A-5		530A-18-6
34600-93J11	501A-26-2		501A-12	37141-99E60	450A-4-7
34800-88L01	501A-8		588A-18		508A-4-7
34810-88L00	588A-8	36665-88L10	501A-6		530A-3-7
34922-88L02	501A-3		501A-13		530A-18-7
	501A-9		588A-19	37141-99E70	450A-4-8
34960-88L00	588A-9	36666-87L00	501A-22		508A-4-8
36360-94L00	334A-3	36666-88L00	588A-14		530A-3-8
	334B-3	36666-88L10	588A-15		530A-18-8
36367-89L00	334A-4	36690-94L00	303A-5	37141-99E80	450A-4-9
	334B-4	36690-94L10	303A-6		508A-4-9
36610-94L00	322A-4-1	36740-94L00	553A-5		530A-3-9
36610-94L10	322A-4-2	36890-93J00	517A-23		530A-18-9
	561A-17		544A-16	37141-99E90	450A-4-10
36610-94L20	322B-3	36894-87D00	336A-2		508A-4-10
	513A-11		336B-2		530A-3-10
36615-96300	322A-7	36990-87D00	501A-46		530A-18-10
	501A-20		508A-57	37141-99EA0	450A-4-11
	501A-32		553A-10		508A-4-11
36616-94L00	322A-8	37100-96J00	530A-1		530A-3-11
	322B-7	37100-96J24	530A-16		530A-18-11
36617-93J10	322A-9	37110-93J01	530A-2	37141-99EB0	450A-4-12
	322B-8		530A-17		508A-4-12
36618-43410	322A-5	37110-94J02	450A-3		530A-3-12
	322B-4		508A-3		530A-18-12
	513A-12	37139-99E00	530A-6	37143-99E00	450A-5
	561A-18	37139-99E20	530A-21		508A-5
36620-93J10	521A-1-1	37141-99E00	450A-4-1		530A-4
36620-93J40	521A-1-2		508A-4-1		530A-19
36620-94L00	450A-52		530A-3-1	37149-93J00	450A-6
	508A-52		530A-18-1		508A-6
36628-92E00	450A-2	37141-99E10	450A-4-2		530A-5
	508A-2		508A-4-2		530A-20
36656-94L00	410A-31		530A-3-2	37161-89L00	334A-5
	410B-33		530A-18-2		561A-20
36660-89L00	501A-14	37141-99E20	450A-4-3	37163-89L00	334A-6
	521A-2		508A-4-3		334B-5
36661-87L00	501A-19		530A-3-3		513A-15
36662-88L00	501A-10		530A-18-3	37210-93J00	530A-14
	501A-44	37141-99E30	450A-4-4	37212-93J00	530A-15
36662-88L10	588A-10		508A-4-4	37721-94L00	334A-7
36662-88L20	588A-11		530A-3-4		334B-6

PART NO.	FIG.NO.-REF.NO.	PART NO.	FIG.NO.-REF.NO.	PART NO.	FIG.NO.-REF.NO.
37721-95500	518A-12		575A-1	45722-94L00	336A-39
	545A-11		335A-3		336B-32
37724-99J00	206A-25	41211-94L00	335A-4	45741-94L00	336A-40
	206B-24	41213-94J01	335A-5		336B-33
37803-93J04	530A-9	43111-94L00-0EP	336A-3-1	45751-94L00	336A-41
37820-80001	334A-2		336B-3-1		336B-34
	334B-2	43111-94L10-0EP	336A-3-2	45761-94L00	336A-42
37820-93J04	450A-7		336B-3-2		336B-35
	508A-7	43112-94L00	405A-2		
	530A-11	43211-87JL0	336A-4		
	530A-22		336B-4		
37823-92E01	450A-8	43411-89L00	336A-27		
	508A-8	43415-94L00	336A-28		
	530A-12	43420-89L00	336A-29		
	530A-23	43425-89L00	336A-30		
37823-97J00	444A-34	43512-89L00	336A-31	51110-94L00	401A-1
37825-99E00	530A-10	43515-88L00	336A-32	51211-94L00	401A-2
37826-92J00	450A-9	43516-89J00	336A-33	52110-94L00-0EP	405A-1-1
	508A-9	43517-89L00	336A-34	52110-94L10-0EP	405A-1-2
	530A-13	43711-94L00	336A-5	52113-94L00	405A-4
	530A-24		336B-5	54112-94L00	401A-6
37826-97J00	444A-35	43750-94L00-0EP	336A-6-1	54125-94L00	401A-7
37830-94J10	444A-33		336B-6-1	54130-94L00	401A-8
37835-95D00	444A-36	43750-94L10-0EP	336A-6-2	54137-94L00	401A-9
37850-92E26	517A-5		336B-6-2	54144-94L00	401A-13
37850-93J10	544A-4	43755-94L00	336B-7	54145-94L00	401A-14
37853-94L00	410A-32		513A-17	54151-94L00	405A-11
	410B-34	45211-94L00	336A-12	54167-94L00	405A-12
37859-90J00	450A-10		336B-16	54211-94L00-0EP	405A-13
	508A-51	45221-94L00	336A-13	54213-93901	405A-14
	450A-11		336B-17	55100-94L00-0EP	407A-1
37864-94J10	508A-10	45231-94L00	336A-14	55114-963L0	407A-2
	450A-12		336B-18	55125-96310	407A-7
38500-93J00	508A-11	45241-94L00	336A-15	55321-87J00	139A-6
	530A-7		336B-19		335A-14-1
38500-93J90	530A-26	45252-94L00	336A-16		336A-10-1
	553A-4		336B-20		336B-14-1
39600-94L00	501A-47	45253-94L00	336A-17		407A-8
39669-94L00	501A-21		336B-21	55321-87J10	335A-14-2
39950-87L00	588A-16	45255-94L00	336A-18		336A-10-2
39950-88L00			336B-22		336B-14-2
		45257-94L00	336A-19	55332-94L00	407A-9
			336B-23	55333-94L00	407A-10
		45260-94L00	336A-20	56120-91L10-0EP	407A-15
			336B-24	56130-94L00	220A-21
41111-94L00-0EP	335A-1	45269-89L00	335A-19	57110-94L00	220A-1-1
41121-94L00-0EP	335A-2	45420-94L00	335A-16	57110-94L10	220A-1-2
41130-91L00	335A-7	45425-94J01	335A-17	57133-94L00	220A-2
41135-93J11	335A-13	45710-94L00	336A-38	57311-91L00	220A-5
41161-94400	442A-1		336B-31	57510-94L00	220A-8

50000

40000

PART NO.	FIG.NO.-REF.NO.	PART NO.	FIG.NO.-REF.NO.	PART NO.	FIG.NO.-REF.NO.	PART NO.	FIG.NO.-REF.NO.	PART NO.	FIG.NO.-REF.NO.	PART NO.	FIG.NO.-REF.NO.
57521-94L00	220A-9	61471-89L00	420A-10	65770-90J02	432A-5	67233-92E00	518A-27	518A-39	67288-92E00	545A-4	
57610-96311	220A-14	61472-94J00	167A-16	65781-98500	432A-6		545A-26	545A-40	67288-92E10	518A-4	
57621-91L10	220A-15	61493-94L00	167A-17	67130-94L00	513A-1	67234-92E00	518A-21	67254-92E50	517A-22	545A-6	
57631-95JL0	220A-20	61494-94L00	167A-18	67140-95600	508A-54		545A-22	67255-92E50	517A-8	67288-92E20	517A-14
57632-91L00	407A-23	61610-90L00	410A-10		515A-1	67235-92E00	518A-28	67255-99E10	450A-27		544A-7
57633-96300	407A-24		410B-10	67200-93J13	544A-1		545A-27	508A-26		67288-92E30	544A-14
58100-91L00-019	407A-21-3	61616-93EL0	410A-11		545A-1	67236-92E00	518A-30	67256-92E50	517A-11	67288-92E40	544A-10
58100-91L10-019	407A-21-4		410B-11	67200-93J32	517A-1		545A-32	67256-95600	450A-28	67288-92E60	517A-6
58100-95D01-019	407A-21-5	61620-94L00	410A-27		518A-1	67237-92E01	518A-31	508A-27	67288-92E70	517A-16	
58100-96371-019	407A-21-6		410B-27	67200-94J20	450A-1		545A-33	67257-92E00	517A-12	67291-92E00	518A-5
58100-96411-019	407A-21-1	61622-90L00	420A-3		508A-1	67238-87D00	450A-19	544A-11		545A-7	
58100-96421-019	407A-21-2	61642-90L00	410A-28	67211-92E50	517A-29		508A-18	67257-99E10	450A-29	67291-92E10	518A-36
58100-96471-019	407A-21-7		410B-28	67211-93J00	544A-27	67238-92E00	545A-34	508A-28	508A-28		545A-37
58100-96481-019	407A-21-8	61810-94L00-0EP	410A-1	67212-95600	450A-13	67238-92E50	518A-32	67258-99E00	450A-30	67292-94300	450A-40
58120-96401	407A-22		410B-1		508A-12	67239-92E00	518A-33	508A-29		508A-39	
58200-96400	407A-21-9	61820-94L00-0EP	410A-2	67214-92E00	450A-14		545A-35	67259-87D00	450A-31		518A-3
59178-97J00	407A-11		410B-2		508A-13	67239-92E10	518A-29	508A-30	508A-30		545A-5
59211-94L00	336A-21	61827-94L00	410A-15	67220-95630	450A-15		545A-45	67261-92E50	517A-10	67294-92E00	518A-11
	336B-25		410B-15		508A-14	67240-92E00	545A-17	67261-93J00	544A-2		545A-10
59262-94J00	175A-3	61829-94L00	410A-16	67221-92E00	545A-8	67240-92E50	518A-16	67261-99E10	450A-32	67294-95600	450A-41
59412-91J00	146A-9		410B-16	67221-92E50	518A-7	67241-92E10	545A-43	508A-31	508A-31		508A-40
59442-94L00	335A-18	61830-94L00-0EP	410A-6	67222-92E00	545A-2	67241-92E50	518A-42	67263-93J00	544A-3		508A-55
59800-94L00	420A-12		410B-6	67222-92E50	518A-2	67241-99E10	450A-20	67264-95600	450A-34		515A-2
		61841-94L00	410A-21	67223-92E00	545A-3		508A-19	508A-33	508A-33	67295-92E00	544A-8
			410B-21	67223-92E50	518A-6	67242-92E50	517A-13	67267-93J00	450A-35	67295-92E10	517A-4
		63111-89L00-0EP	444A-1	67223-99E10	450A-16	67243-92E00	545A-44	508A-34	508A-34		544A-5
		63114-99J01	444A-22		508A-15	67243-95600	450A-21	67269-92E00	545A-29	67295-92E50	517A-18
		63115-99J00	444A-3	67224-92E00	545A-9		508A-20	67271-92E00	544A-26	67296-88D10	517A-15
		63115-99J10	444A-2	67224-92E50	518A-8	67244-95600	450A-22	67273-92E00	544A-23		518A-24
		63116-99J00	444A-4	67225-92E00	518A-25		508A-21	67273-95600	450A-36		544A-6
61112-94L10	410A-4	63121-99J00-0EP	444A-5	67225-92E50	518A-9	67245-92E00	518A-22	508A-35	508A-35		545A-13
	410B-4	63122-99J00	444A-23	67226-92E00	545A-15		545A-23	517A-25	517A-25		545A-30
61124-94L00	410A-13-1	63131-94L00-0EP	444A-24	67226-92E10	518A-14	67245-95600	450A-23	544A-22	67296-88D20	517A-17	
61124-94L10	410B-13	63133-89L00	444A-25		545A-16		508A-22	67274-92E00	544A-24	67296-88D30	517A-21
	513A-20	63134-94L00	444A-26	67227-92E00	518A-23	67246-92E00	545A-36	67274-92E50	517A-28	67296-90J00	450A-42
61124-94L20	410A-13-2	63210-94L00	444A-6		545A-24	67246-92E50	518A-34	67275-95600	450A-37		508A-41
61134-94L00	410A-5	63215-93110	444A-32	67228-92E00	518A-17	67251-92E50	517A-9	508A-36	508A-36	67296-92E11	518A-13
	410B-5	63220-94L00	444A-7		545A-18	67251-93J00	544A-12	517A-24	517A-24		545A-12
61151-91J11	410A-14	63225-93200	444A-9	67229-95600	450A-17	67251-99E20	450A-24	544A-21	67296-92E20		518A-15
	410B-14	63225-94J00	444A-8		508A-16		508A-23	544A-17			545A-14
61155-94L00	405A-3	63240-94J10	444A-10	67230-92E00	518A-19	67252-92E00	518A-35	67282-94L00	450A-38	67296-92E30	544A-18
61400-94L00-0EP	420A-1	63241-986B0	444A-11		545A-20	67252-92E10	518A-38	508A-37	508A-37	67296-92E60	544A-13
61412-89L00	410A-9	63244-94J00	444A-12	67231-92E00	518A-40		545A-39	67283-92E50	517A-26	67296-92E70	544A-9
	410B-9	63610-94L00	444A-14		545A-11	67252-95600	450A-25	67284-92E50	517A-27		544A-28
61433-94L00	420A-2	63650-94L00	444A-15	67232-92E50	518A-43		508A-24	67284-94L00	450A-39	67296-94300	450A-43
61435-94L00	420A-5	65000-95J00	432A-1	67232-95600	450A-18	67253-92E00	544A-15	508A-38	508A-38		508A-42
61443-94L00	420A-6	65700-87J25	432A-2		508A-17	67253-92E10	518A-37	67286-92E00	518A-18	67296-94310	450A-33
61446-89L00	420A-7	65720-986L0	432A-7		518A-41		545A-38		545A-19		508A-32
61453-94L00	420A-8	65750-87J11	432A-3		545A-42	67253-95600	450A-26	67287-92E00	544A-20		517A-3
61458-89L10	420A-9	65750-95500	432A-4	67232-95620	545A-28		508A-25	67287-92E50	517A-19	67296-95600	450A-44

60000

PART NO.	FIG.NO.-REF.NO.	PART NO.	FIG.NO.-REF.NO.	PART NO.	FIG.NO.-REF.NO.	
67296-95610	508A-43 450A-45 508A-44 544A-25	70000	450A-47 508A-46 420A-11	410B-25 561A-9 175A-9 120A-15	01550-0616A 01550-06207	
67296-95620	508A-56 515A-3			77811-54GB0-OPG	163A-2 310A-5	08211-15203 08211-15204
67297-95600	450A-46 508A-45 517A-2			77811-58J10-OPG	310A-8 310A-14 310B-5	08221-30404 08310-00067
67298-92E50	508A-58-1 515A-4-1				310B-8 310B-14	08316-10067 08316-10087
67320-93J00	508A-58-2 515A-4-2 508A-58-3	90000	420A-13	334A-8 334B-7 553A-9	08321-01067	
67320-93J10	515A-4-3 508A-58-4			99000-81158-50M	561A-22 111A-12	08322-01067
67320-93J20	508A-58-5 515A-4-5 508A-58-6			99011-94L00-03B	144A-6 146A-45 166B-13	08341-31039
67320-93J30	515A-4-4 508A-58-7 515A-4-7				206A-23 206B-19 310A-9	09100-06113
67320-93J40	508A-58-8 515A-4-8 508A-58-9	00000	420A-13	310B-9 513A-33 146A-20	09100-06165 09100-08232	
67320-93J50	515A-4-6 508A-58-7 515A-4-7			01421-08357	162A-3 166A-7	09100-10309 09103-06237
67320-93J60	515A-4-8 508A-58-8 515A-4-8			01547-0612A	167A-9 113A-4	09103-06281
67320-93J70	508A-58-9 515A-4-9 410B-31			01547-06167	146A-21 166B-14	09136-06169
67320-93J80	513A-21 410B-35 513A-35	01547-0625A	303B-8 175A-4	09137-03008		
67341-94L00	166B-15 206B-21 513A-22	01547-0640A	303A-10 303B-9	09140-05005		
67343-94L00	519A-1 442A-2 575A-2	01550-05127	303B-9 122A-12	09140-05005		
67467-89J01	442A-3 575A-3 442A-4	01550-06127	206A-22 206B-18 322A-13	09140-06020		
67500-93J00	442A-4 575A-4 442A-5	01550-06127	322B-12 553A-8	09140-06020		
67701-94L00	575A-5 442A-6 575A-6	01550-06167	146A-19 146A-44	09140-06020		
67721-94L00	442A-6 575A-6 420A-14	01550-06167	166A-6 167A-14	09140-06020		
67725-96J00	167A-15 335A-20	01550-06167	167A-14 175A-13	09140-06020		
67726-99E00		01550-06167	167A-14 175A-13	09140-06020		
67728-99E00		01550-06167	167A-14 175A-13	09140-06020		
68110-88L00		01550-06167	167A-14 175A-13	09140-06020		
69711-93E10		01550-06167	167A-14 175A-13	09140-06020		
69911-91J00		01550-06167	167A-14 175A-13	09140-06020		

PART NO.	FIG.NO.-REF.NO.	PART NO.	FIG.NO.-REF.NO.	PART NO.	FIG.NO.-REF.NO.
04211-11129	420A-4 111A-4 113A-5	09116-08154	405A-15 407A-6 444A-27	09160-05024 09160-05029	544A-19 206B-9 513A-26 519A-4
08113-60060	407A-18 163A-2	09116-08155 09116-08162	405A-16 113A-3	09160-06046	166A-4
08211-15203	220A-7-4 220A-7-6	09119-08L01 09125-04004	518A-26 517A-7		166B-11 206A-10
08221-30404	220A-12-1 301A-16	09125-04021 09125-05042	517A-7 444A-28		206A-10 513A-27
08310-00067	310B-5 310B-8		518A-20 545A-21	09160-06055	166B-16 206B-22
08316-10067	310B-14 334A-8	09125-05135 09125-06063	519A-2 336A-7		513A-28 160A-15
08316-10087	334B-7 553A-9		336B-10 450A-49	09160-06082	206A-11 206B-10
08321-01067	561A-11 122A-13	09126-05003	450A-48 545A-25		210A-12 335A-10
08322-01067	122A-6 301A-17		444A-17 310A-20		336A-24 336B-28
08341-31039	301A-12 310A-21	09126-06006 09126-06015 09128-06013	310B-20 561A-8 444A-18	09160-06085 09160-06094	432A-9 206A-12 206A-12
09100-06113	336A-22 336B-26	09136-05041	444A-18 444A-29	09160-06104	450A-51 508A-50
09100-06165	335A-9 450A-48	09136-06168	410A-8 410A-22		517A-20 336B-8
09100-08232	508A-47 335A-21		410B-8 410B-22	09160-08082	513A-19 120A-8
09103-06237	432A-8 139A-8	09136-06169	410A-3 410B-3	09160-09020 09160-10139	120A-8 335A-23
09103-06281	335A-15 336A-11		334A-12 334B-11	09160-10140 09160-10156	335A-24 401A-12
09103-08458	336B-15 407A-12	09137-03008	334B-11 166B-10	09160-14028 09160-14071	407A-26 206A-13
09108-06149	407A-12 120A-7	09140-05005	513A-24 519A-3		206B-11 220A-7-1
09108-06149	160A-14 336B-9	09140-06020	519A-3 336A-23	09160-15030 09160-15031	220A-7-1 220A-7-2
09108-08286	336B-9 513A-23		336B-27 450A-50	09160-15032 09160-15033	220A-7-3 220A-7-5
09116-06202	146A-10 122A-25	09140-10031	508A-49 518A-10	09160-15053 09160-15054	220A-7-7 220A-7-8
09116-06215	410A-29 410B-29	09140-14008	545A-31 401A-11	09160-15057	303A-8 303B-6
09116-06223	410B-29 336A-35		401A-11 303A-7		220A-11-1 220A-11-2
09116-06225	410B-36 513A-36	09140-14008	303B-5 407A-25	09160-20068 09160-20069	220A-11-1 220A-11-2
09116-06229	407A-19 206A-9	09141-14008	407A-25 444A-13	09160-20070 09160-20071	220A-11-3 220A-11-4
09116-06234	206A-9 407A-13	09148-06008	444A-13 220A-6	09160-20072	220A-11-4 220A-11-5
09116-08147	407A-13 401A-3	09159-08046	220A-6 336B-11	09160-20073	220A-11-5 220A-11-6
09116-08150	401A-3 405A-7	09159-08059	336B-11 513A-25	09160-25032	220A-13-4 220A-13-5
09116-08151	405A-7 444A-16	09159-08L02	513A-25 336A-36	09160-25033	220A-13-4 220A-13-5
09116-08152	139A-4 401A-10	09159-10050	336A-36 335A-22	09160-25034	220A-13-5 220A-13-6
		09159-22006	335A-8 335A-8	09160-25035	220A-13-6 220A-13-7





## **SUZUKI DF25A/30A PARTS CATALOGUE**

---

SUZUKI MOTOR CORPORATION All rights reserved

No part of this document may be reproduced or transmitted in any form or by any means, electronic or mechanical, for any purpose, without the express written permission of Suzuki Motor Corporation.

SUZUKI MOTOR CORPORATION

Technical Readiness Group, Quality Administration Department  
300 Takatsuka, Minami, Hamamatsu, Japan

---

Reprint Prohibited

**SUZUKI MOTOR CORPORATION**