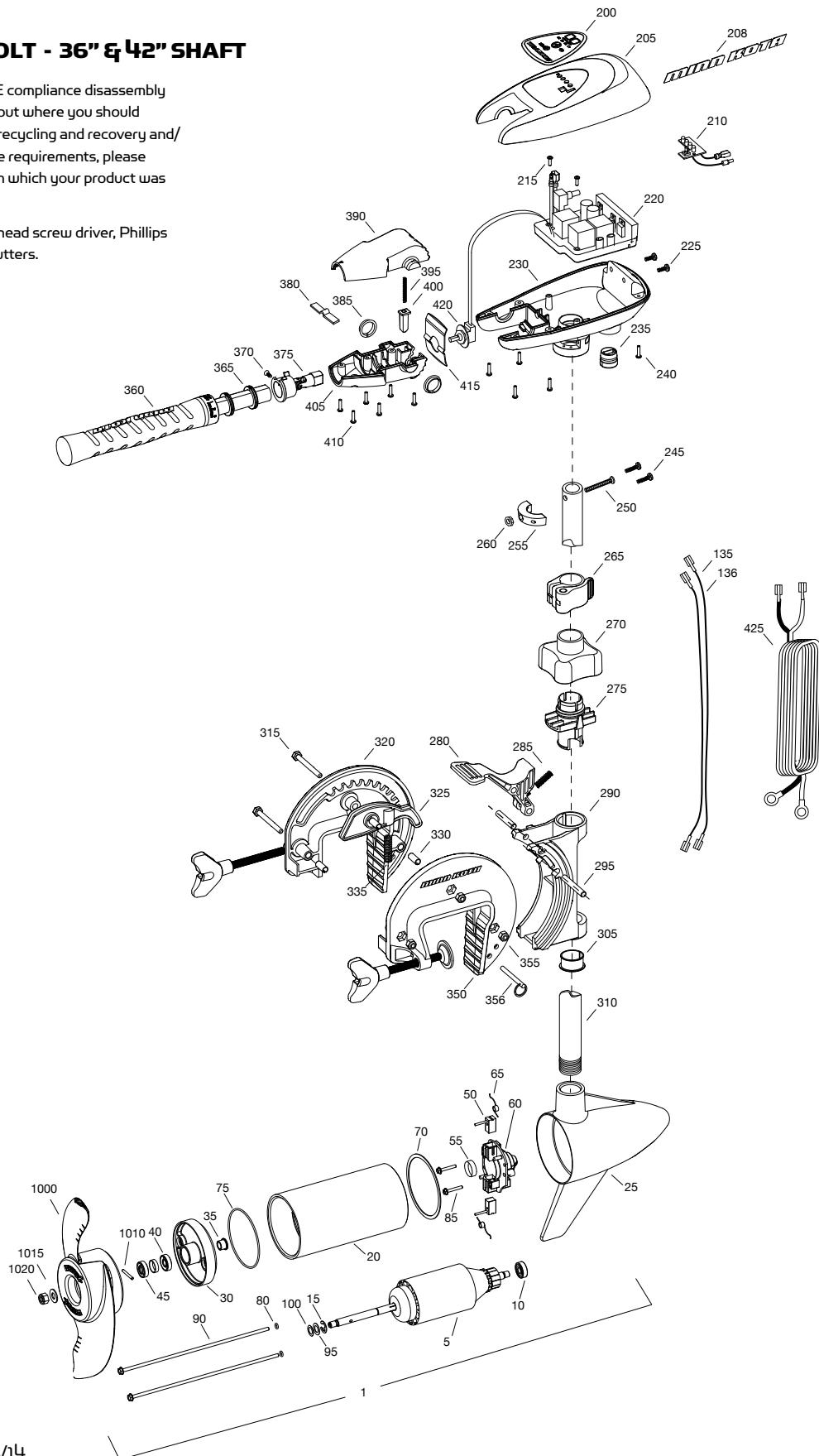


# PARTS DIAGRAM

## TRAXXIS 55 55 LBS THRUST - 12 VOLT - 36" & 42" SHAFT

This page provides Minn Kota® WEEE compliance disassembly instructions. For more information about where you should dispose of your waste equipment for recycling and recovery and/or your European Union member state requirements, please contact your dealer or distributor from which your product was purchased.

Tools required, but not limited to: flat head screw driver, Phillips screw driver, socket set, pliers, wire cutters.



# PARTS LIST

## TRAXXIS 55

### 55 LBS THRUST - 12 VOLT - 36" & 42" SHAFT

ITEM	QTY	PART NUMBER	DESCRIPTION
1	1	2097074	12V MOTOR 42" FW
5	1	2-100-121	ARMATURE ASSEMBLY
10	1	140-010	BEARING
15	1	788-015	RETAINING RING
20	1	2-200-101	CENTER HOUSING ASSEMBLY
25	1	421-065	BRUSH END HOUSING ASSEMBLY
30	1	2-400-101	PLAIN END HOUSING ASSEMBLY
35	1	144-049	FLANGE BEARING
40	1	880-003	SEAL
45	1	880-006	SEAL WITH SHIELD
50	2	188-036	BRUSH
55	1	725-050	PAPER TUBE
60	1	738-036	BRUSH PLATE ASSEMBLY
65	2	975-040	BRUSH SPRING
70	1	337-036	GASKET
75	1	701-081	O-RING, MOTOR
80	2	701-008	O-RING, THRU-BOLT
85	2	830-007	SCREW, #8-32
90	2	830-042	THRU-BOLT
95	1	990-067	WASHER, STEEL
100	1	990-070	WASHER, NYLATRON
135	1	640-004	LEADWIRE, BLACK
136	1	640-105	LEADWIRE, RED
■	1	2888460	SEAL AND O-RING KIT
200	1	2065697	DECAL, C-BOX COVER
205	1	2060295	C-BOX COVER
208	2	2325665	DECAL - MINNKOTA
210	1	2074070	BATTERY METER, 12V FW
215	2	2043427	SCREW, #8 X 7/8 SS
220	1	2184016	CONTROL BOARD, 12V
■	1	2888411	POTENTIOMETER REPLACEMENT KIT
225	2	2303434	SCREW, #8-32 X 5/8 SS
230	1	2062501	CONTROL BOX, VARS, FW
235	1	2062905	STRAIN RELIEF
240	6	2303412	SCREW, #6-20 X 5/8 SS
245	2	2263434	SCREW, #8 X 18 SS
250	1	2383407	SCREW, #10-24 X 2 ZINC
255	1	2061515	COLLAR, C-BOX
260	1	2383124	NYLOCK NUT, #10-24, ZINC
265	1	2991521	CAM LOCK/DEPTH COLLAR ASSY

ITEM	QTY	PART NUMBER	DESCRIPTION
■	1	2991795	BRACKET ASSY, COMPOSITE [270-356]
270	1	2060100	KNOB, STEERING TENSION, SOFT
275	1	2068400	COLLET
280	1	2064200	LOCK ARM
285	1	2062701	SPRING, LOCK ARM
290	1	2061821	HINGE
295	2	2062602	PIN, LOCK, ZINC
305	1	2037301	BUSHING, HINGE
310	1	2032052	TUBE 36"
	1	2032053	TUBE 42"
315	3	2063500	BOLT 1/4-20 X 2 3/8", ZINC
320	1	2771950	BRACKET, RIGHT, FW
325	1	2067905	CAM DEACTIVATOR
330	3	2067306	BUSHING, DOWEL 1/4 X 1/2
335	1	2062702	SPRING, CAM DEACTIVATOR
■	2	2881380	CLAMP SCREW KIT
350	1	2771955	BRACKET, LEFT, FW
355	3	2263104	NYLOCK NUT, 1/4-20, ZINC
356	1	2062604	PIN, STOP
■	1	2990957	HANDLE ASSY, VARS [360-410]
360	1	2990456	GRIP/HANDLE ASSY, VARS [360-375]
365	2	2060015	BEARING, HANDLE
370	2	2063405	SCREW, #6 X 1/2 PFH SS
375	1	2884092	YOKE / SPIDER ASSY, VARS
380	1	2302742	SPRING, DETENT, OFF
385	2	2060005	BEARING, HANDLE PIVOT
390	1	2060900	HANDLE PIVOT, TOP
395	1	2302745	SPRING, RELEASE BUTTON
400	1	2063700	BUTTON, RELEASE
405	1	2060905	HANDLE PIVOT, BOTTOM
410	6	2303412	SCREW, #6-20 X 5/8 SS
415	1	2062715	SPRING, HANDLE PIVOT
420	1	2061700	WASHER, POT HOLDER
425	1	2992523	LEADWIRE ASSY, INCLUDES [235]
■	1	1378170	PROPELLER KIT
■	1	2994875	PROPELLER BAG ASSY
1000	1	2091170	PROPELLER
1010	1	2092600	DRIVE PIN, LARGE
1015	1	2151726	WASHER, PROP, STANDARD
1020	1	2053101	NUT, NYLOCK, PROP, MEDIUM

■ THIS ITEM IS PART OF AN ASSEMBLY.  
\*THIS ITEM IS PART OF A KIT AND ONLY LISTED FOR VIEWING PURPOSES.