

SUZUKI
PARTS CATALOGUE

DF200A
DF200AT/AZ



OUTBOARD MOTOR

E01/E40

2014-10

1ST EDITION

PREFACE

When it becomes necessary to replace parts on SUZUKI OUTBOARD MOTORS, always use SUZUKI GENUINE PARTS which have passed a strict inspection which guarantees quality and performance.

This parts catalogue covers the list of all service parts for SUZUKI DF200A production start 2014.

INSTRUCTIONS FOR QUOTING THE CATALOGUE

1. DIMENSIONS

Dimensions of the parts in this catalogue are indicated in unit millimeters.

2. ABBREVIATIONS

Abbreviations used in this catalogue are as follows:

AR	: As required	NT	: Number of teeth
ASSY	: Assembly	OPT	: Optional
E. NO.	: Engine number	OS	: Over size
F. NO.	: Frame number	STD	: Standard
D	: Diameter of material	T	: Thickness
ID	: Inside diameter	US	: Under size
OD	: Outside diameter	W	: Width
L	: Length	W/	: With
LH(PORT)	: Left hand side	L,X	: Transom type
RH(STBD)	: Right hand side	SUS	: Stainless steel
~123456	: Up to E. NO. 20003F-123456	PTT	: Power trim and tilt
123456~	: From E. NO. 20003F-123456		

12 x 34 x 5.6..... Figures in the description column
| | | show the dimensions of parts.
ID OD T(or W,L)

→12345-56781 (Parts No.) : indicates that the parts number was changed to 12345-56781 and the new parts are interchangeable with the former ones but the former ones are not interchangeable with new ones.

←12345-56781 (Parts No.) : indicates that the former and new parts are interchangeable with each other and both are usable.

3. INNER PARTS OF ASSEMBLY

Part name with a dot (.) in front as shown in the description column indicates the component of the assembly also available individually.

4. MODIFICATION NOTICE

A parts bulletin will be sent to you on all occasions when changes in parts occur, including interchangeable modifications between new parts and old ones.

5. NOTE

5-1. There are some different parts from those of production models among spare parts for the administrative reasons and common use of them with other models.

5-2. In respect of rubber hoses and vinyl tubes, please be sure to use them by cutting off according to the length mentioned on parts catalogue or what is actually required on the vehicle.

5-3. Note that the drawings on the illustration page are for ready reference of spare parts number, not to be used as an assembly manual. When assembling, use "SUZUKI SERVICE MANUAL".

6. MODEL NAME AND ENGINE NUMBER

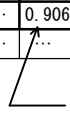
MODEL	DESTINATION	TYPE	TRANSOM	ENGINE No.
DF200AT	E01, E40	20003F	L, X	20003F-510001~
DF200AZ	E01, E40	20003Z	X	20003Z-510001~

MILLIMETER → INCH CONVERSION CHART

	0	1	2	3	4	5	6	7	8	9
00	.000	.039	.079	.118	.157	.197	.236	.276	.315	.354
10	.394	.433	.472	.512	.551	.591	.630	.669	.709	.748
20	.787	.827	.866	.906	.945	.984	1.024	1.063	1.102	1.142
30	1.181	1.220	1.260	1.299	1.339	1.378	1.417	1.457	1.496	1.535
40	1.575	1.614	1.654	1.693	1.732	1.772	1.811	1.850	1.890	1.929
50	1.969	2.008	2.047	2.087	2.126	2.165	2.205	2.214	2.283	2.323
60	2.362	2.402	2.441	2.480	2.520	2.559	2.598	2.638	2.677	2.717
70	2.756	2.795	2.835	2.874	2.913	2.953	2.992	3.031	3.071	3.110
80	3.150	3.189	3.228	3.268	3.307	3.346	3.386	3.425	3.465	3.504
90	3.543	3.583	3.622	3.661	3.701	3.740	3.780	3.819	3.858	3.898

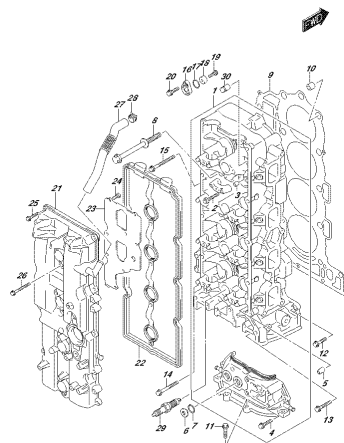
How to read

	0	1	2	3	4
00
10
20	0.906	...
30


 23 millimeters equal 0.906 inch

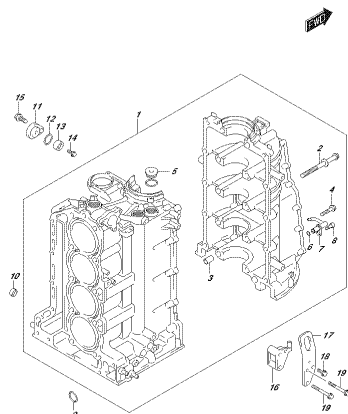
Contents are subject to change without notice or obligation.

FIG. 111A



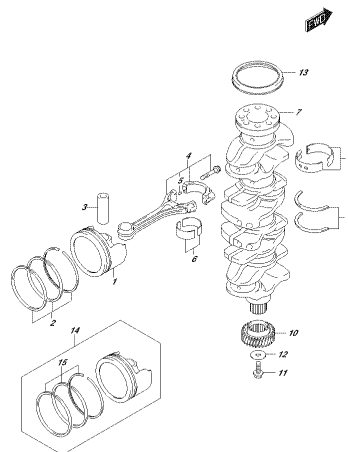
DKRBA_EPL_016_1114
TUMBERHEAD

FIG. 113A



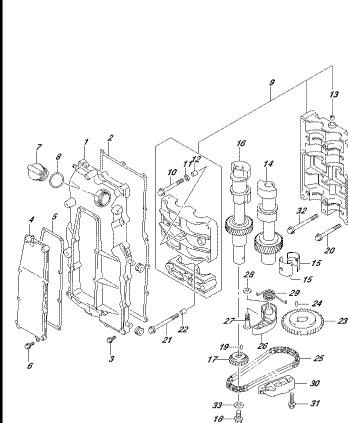
DKRBA_EPL_016_1134
TUMBERHEAD

FIG. 116A



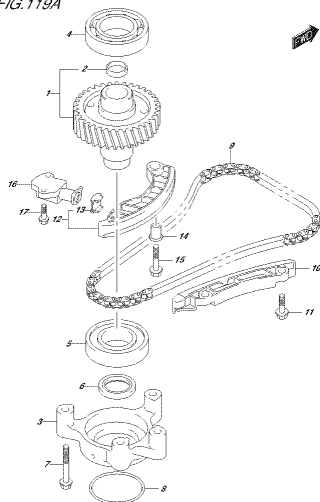
DKRBA_EPL_016_1164
SILKANDNET

FIG. 118A



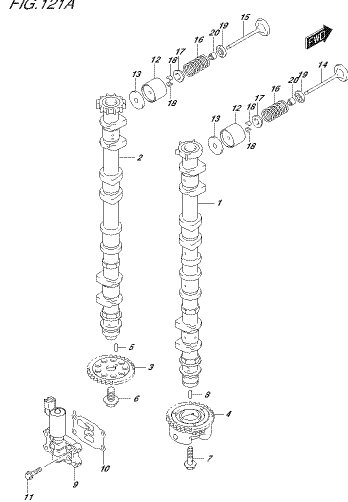
DKRBA_EPL_016_1184
SILKANDNET

FIG. 119A



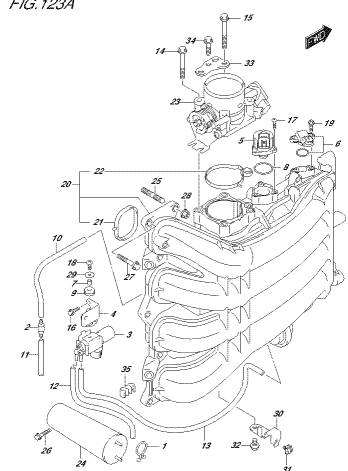
DKRBA_EPL_016_1194
TURNING CHAIN

FIG. 121A



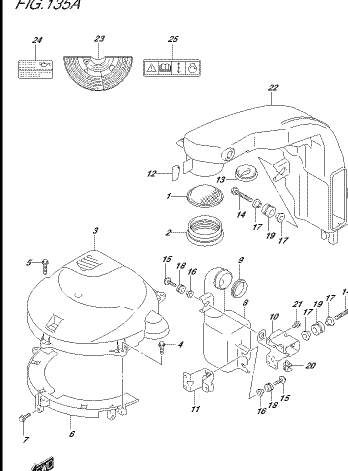
DKRBA_EPL_016_1214
CARABNET

FIG. 123A



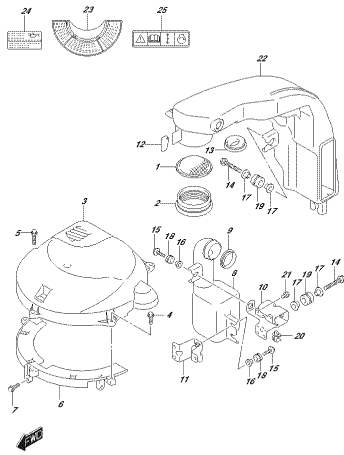
DKRBA_EPL_016_1234
HYANE DANEGLOTHWITTE BODY

FIG. 135A



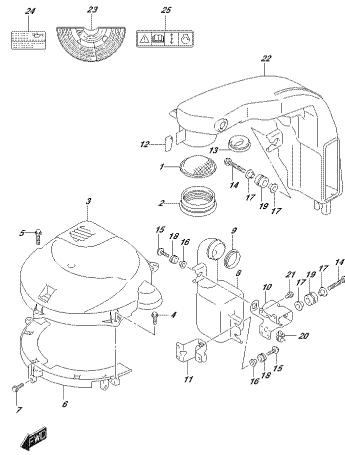
DKRBA_EPL_016_1354
SILKNEERING BEARL CONER

FIG. 135B



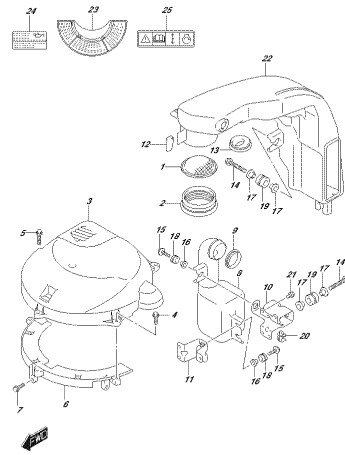
DKRBA_EPL_016.03B
DLE NGDRBGRGEARCYDNR

FIG. 135C



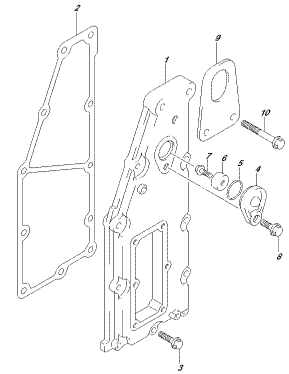
DKRBA_EPL_016.03C
DLE NGDRBGRGEARCYDNR

FIG. 135D



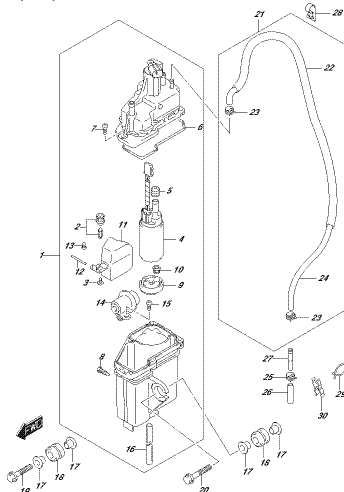
DKRBA_EPL_016.03D
DLE NGDRBGRGEARCYDNR

FIG. 140A



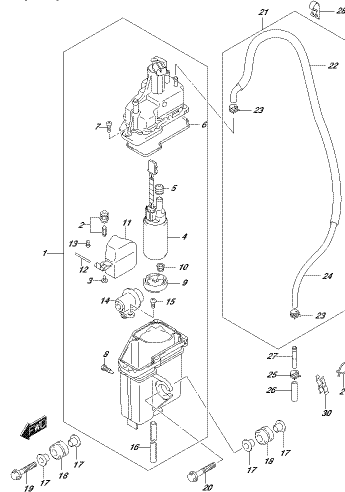
DKRBA_EPL_016.140A
DLE NGDRBGRGEARCYDNR

FIG. 143A



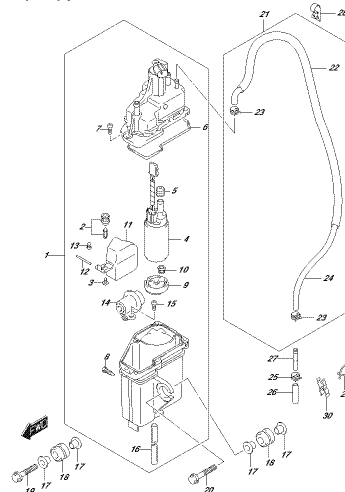
DKRBA_EPL_016.143A
FLEU IMRGRBSPRANZEM

FIG. 143B



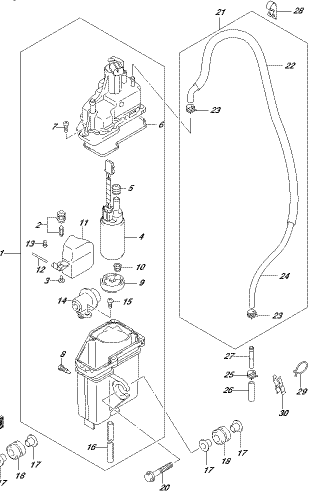
DKRBA_EPL_016.143B
FLEU IMRGRBSPRANZEM

FIG. 143C



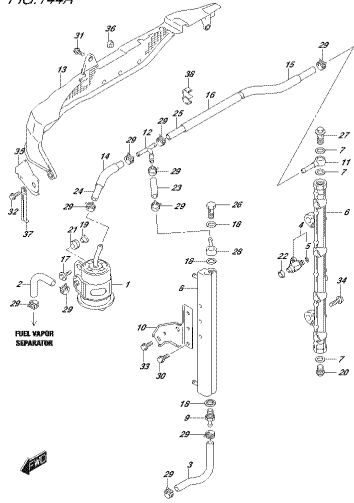
DKRBA_EPL_016.143C
FLEU IMRGRBSPRANZEM

FIG. 143D



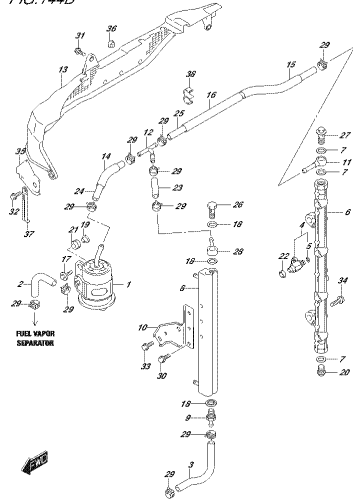
DKRBA_EPL_016.143D
FLEU IMRGRBSPRANZEM

FIG. 144A



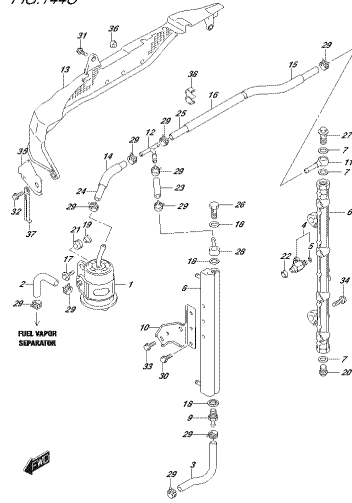
INCORSA_ESTI_016_144A
FUEL INJECTOR

FIG. 144B



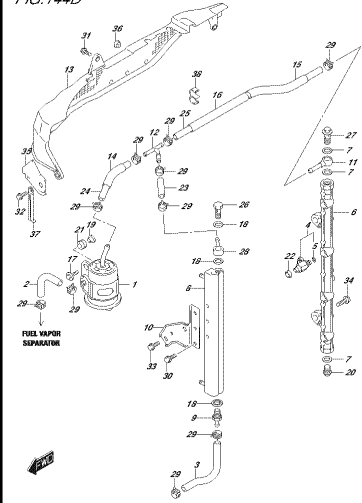
INCORSA_ESTI_016_144B
FUEL INJECTOR

FIG. 144C



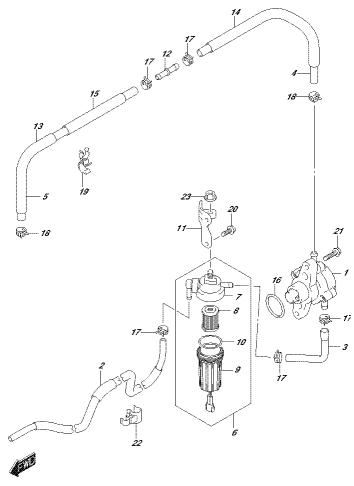
INCORSA_ESTI_016_144C
FUEL INJECTOR

FIG. 144D



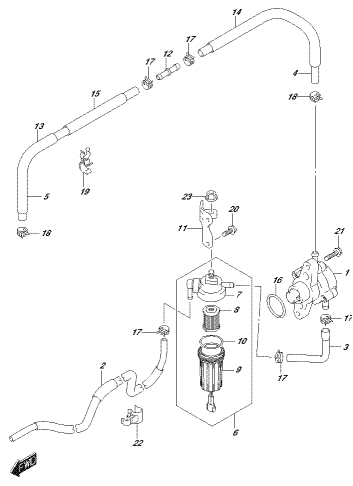
INCORSA_ESTI_016_144D
FUEL INJECTOR

FIG. 146A



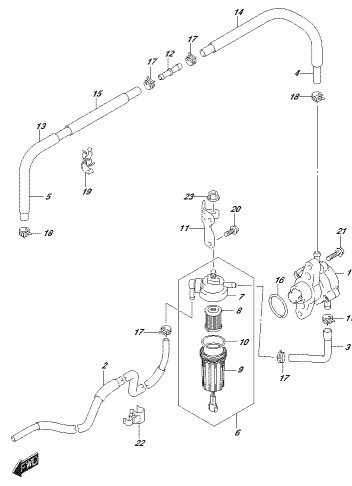
INCORSA_ESTI_016_146A
FUEL PUMP

FIG. 146B



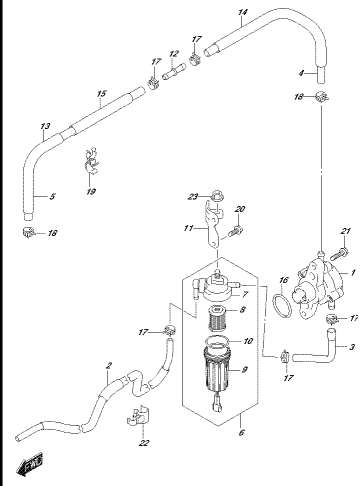
INCORSA_ESTI_016_146B
FUEL PUMP

FIG. 146C



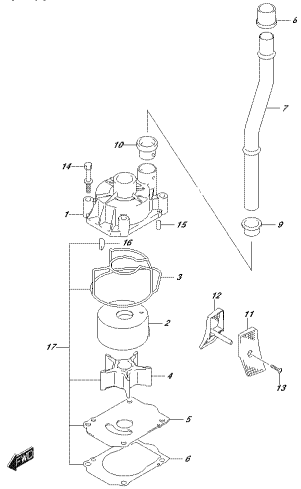
INCORSA_ESTI_016_146C
FUEL PUMP

FIG. 146D



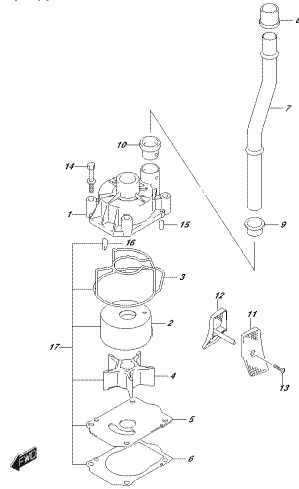
INCORSA_ESTI_016_146D
FUEL PUMP

FIG. 160A



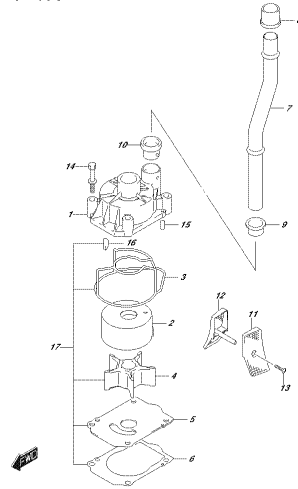
DEKRA_EPL_016_160A
SKZ:GDZPWP

FIG. 160B



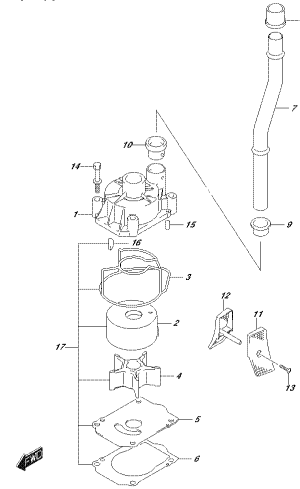
DEKRA_EPL_016_160B
SKZ:GDZPWP

FIG. 160C



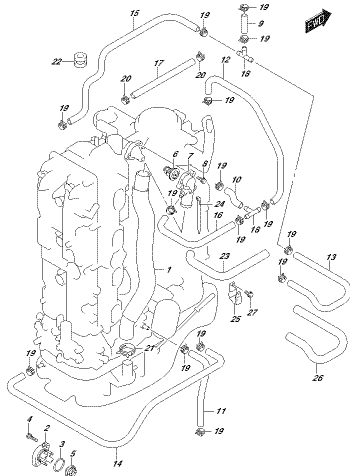
DEKRA_EPL_016_160C
SKZ:GDZPWP

FIG. 160D



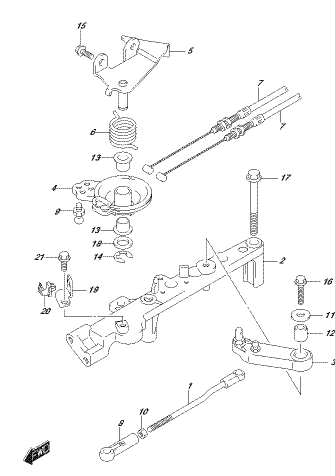
DEKRA_EPL_016_160D
SKZ:GDZPWP

FIG. 162A



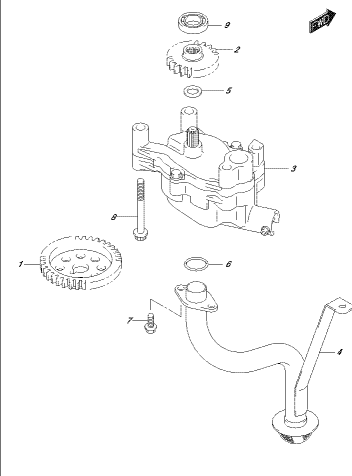
DEKRA_EPL_016_162A
THERMOSTAT

FIG. 164A



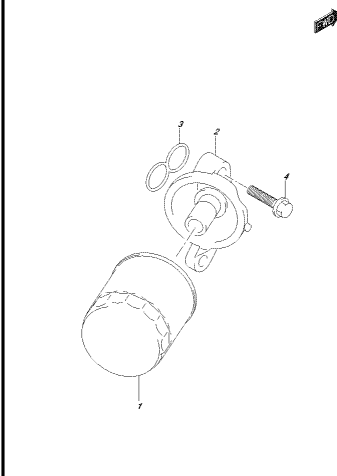
DEKRA_EPL_016_164A
THROTTLE PED

FIG. 175A



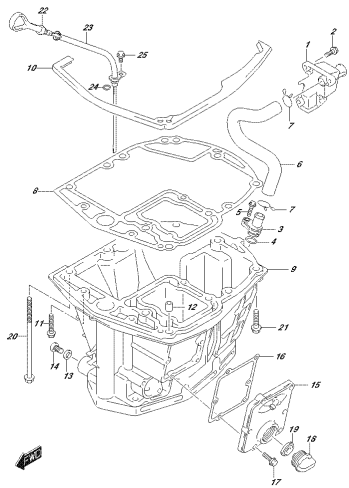
DEKRA_EPL_016_175A
OIL PUMP

FIG. 178A



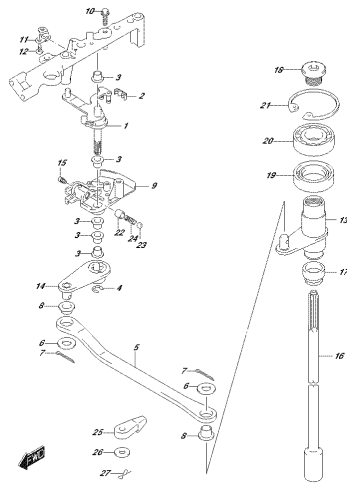
DEKRA_EPL_016_178A
OIL FILTER

FIG.180A



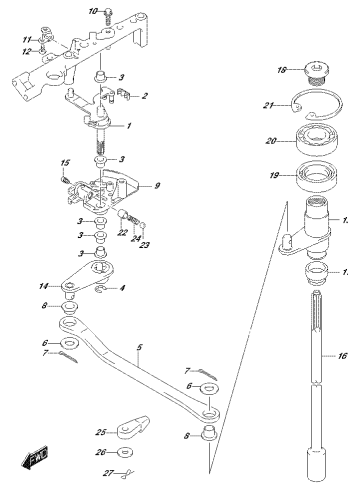
DKRBA_E31_018_180A
03.2007

FIG.204A



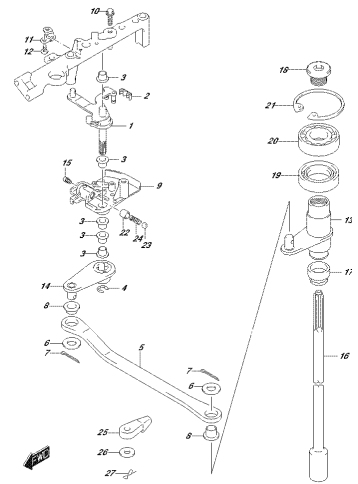
DKRBA_E31_018_204A
03.2007

FIG.204B



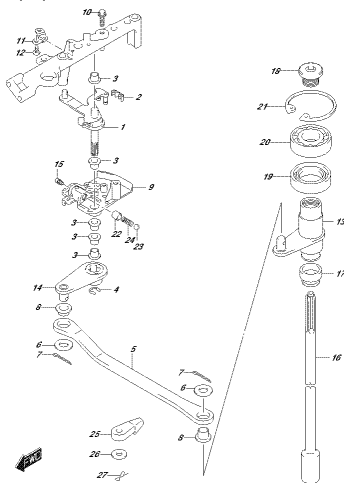
DKRBA_E31_018_204B
03.2007

FIG.204C



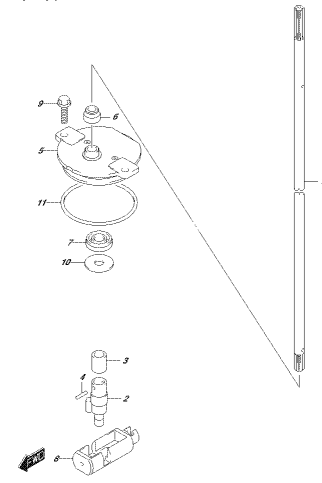
DKRBA_E31_018_204C
03.2007

FIG.204D



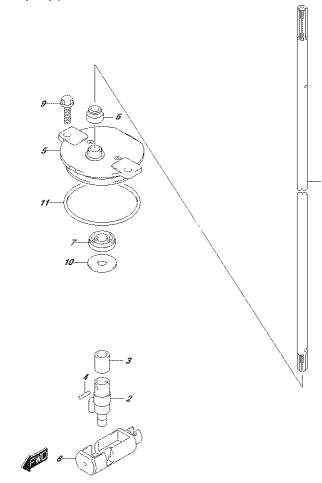
DKRBA_E31_018_204D
03.2007

FIG.206A



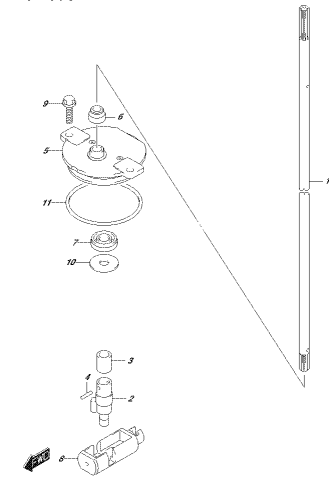
DKRBA_E31_018_206A
03.2007

FIG.206B



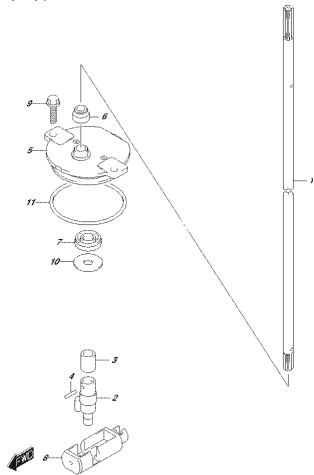
DKRBA_E31_018_206B
03.2007

FIG.206C



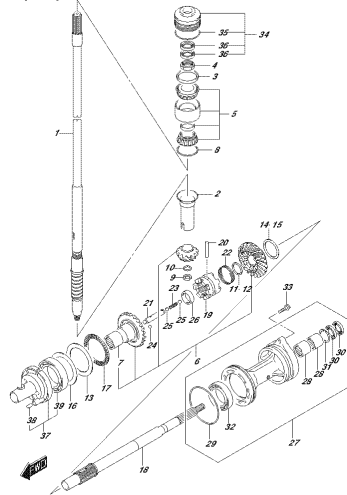
DKRBA_E31_018_206C
03.2007

FIG.206D



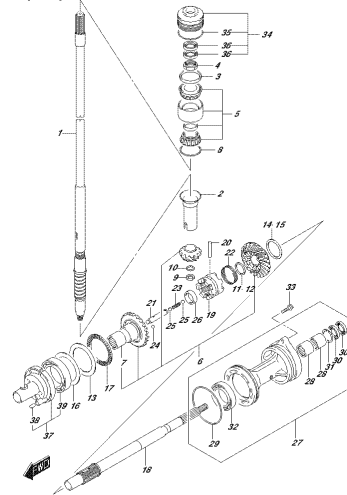
DKRBA_EPT_016.8040
CLUBFLIGHT

FIG.220A



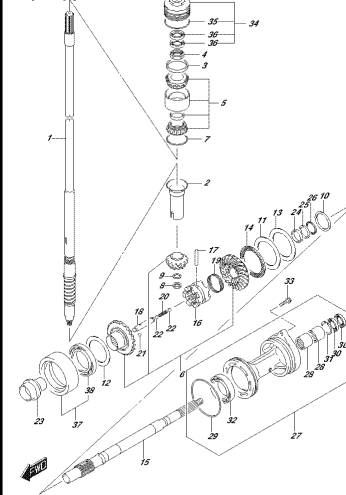
DKRBA_EPT_016.8004
FRANSEBROUW

FIG.220B



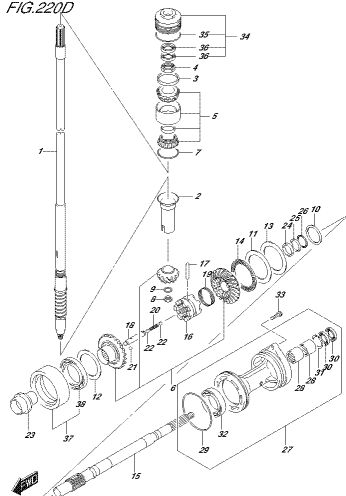
DKRBA_EPT_016.8009
FRANSEBROUW

FIG.220C



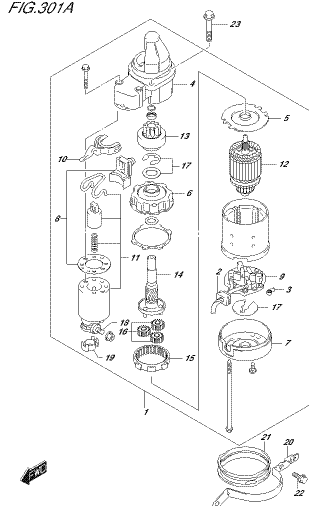
DKRBA_EPT_016.8007
FRANSEBROUW

FIG.220D



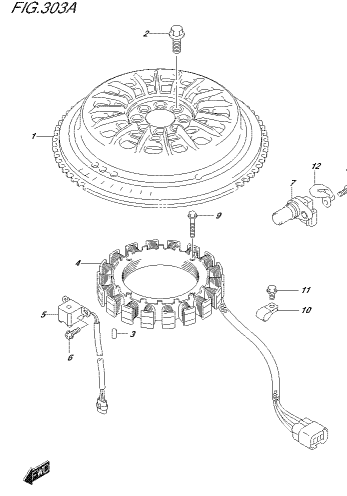
DKRBA_EPT_016.8000
FRANSEBROUW

FIG.301A



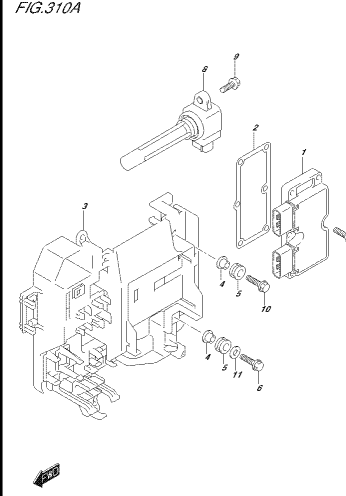
DKRBA_EPT_016.8004
STARTING MOTOR

FIG.303A



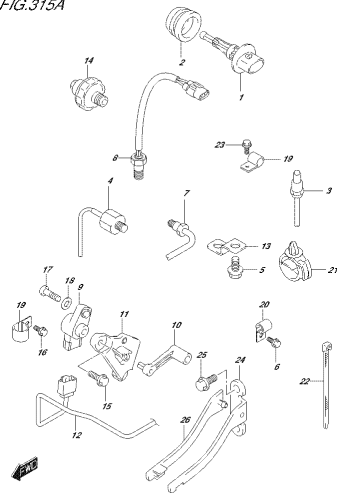
DKRBA_EPT_016.8004
MAGNET

FIG.310A



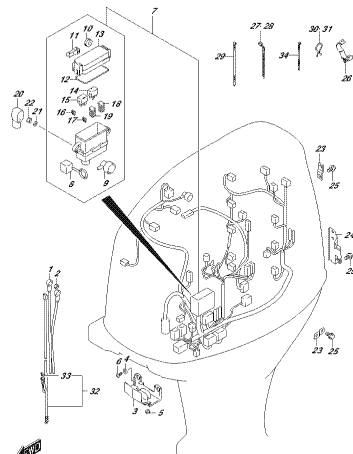
DKRBA_EPT_016.8104
RECTOR REFRACTION COOL

FIG.315A



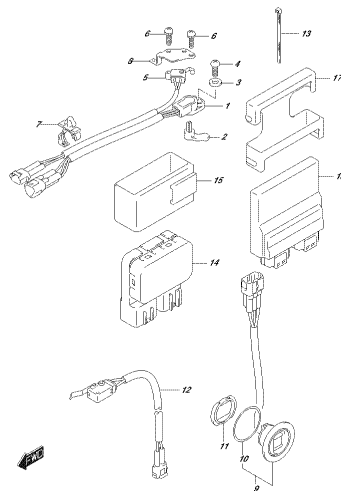
DKR04A_E01_016_015A
3/3/2009

FIG.322A



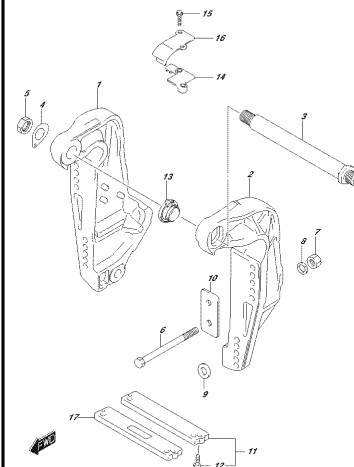
DKR04A_E01_016_020A
04/06/2009

FIG.326A



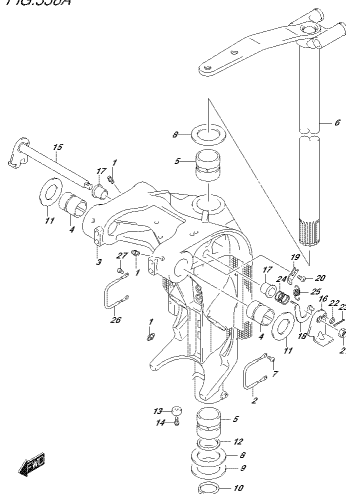
DKR04A_E01_016_026A
1/17 SWITCHES/ROTOR CONTROL UNIT

FIG.335A



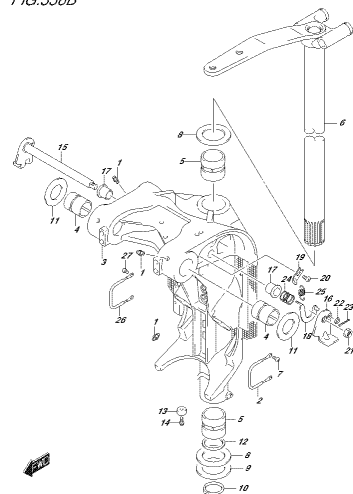
DKR04A_E01_016_035A
03/04/2009

FIG.336A



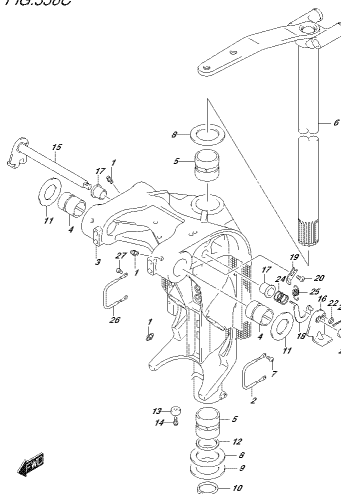
DKR04A_E01_016_040A
SWIVEL BRACKET

FIG.336B



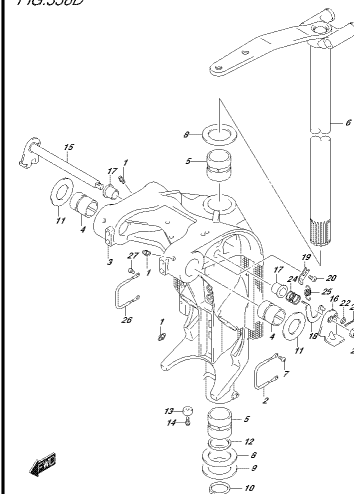
DKR04A_E01_016_040B
SWIVEL BRACKET

FIG.336C



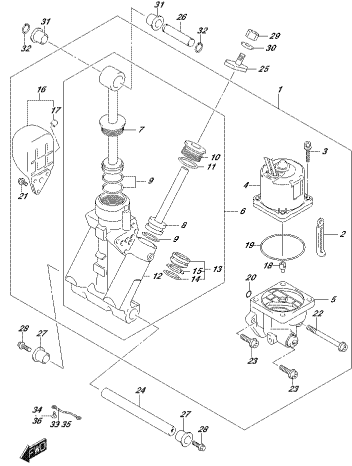
DKR04A_E01_016_040C
SWIVEL BRACKET

FIG.336D



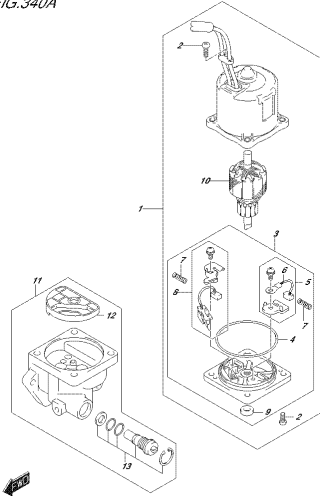
DKR04A_E01_016_040D
SWIVEL BRACKET

FIG.337A



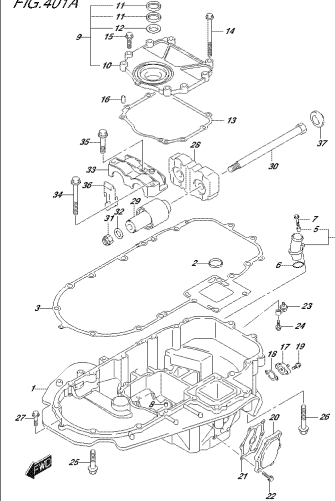
DKRBA_EFI_016.337A
ENGINE SHAFT

FIG.340A



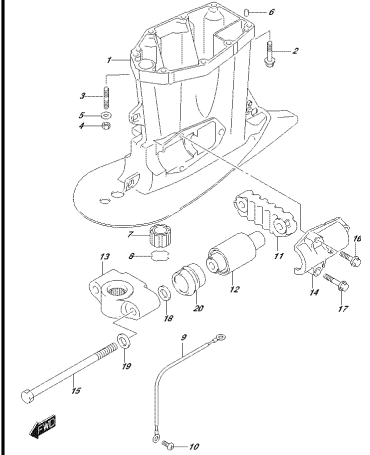
DKRBA_EFI_016.340A
ENGINE SHAFT

FIG.401A



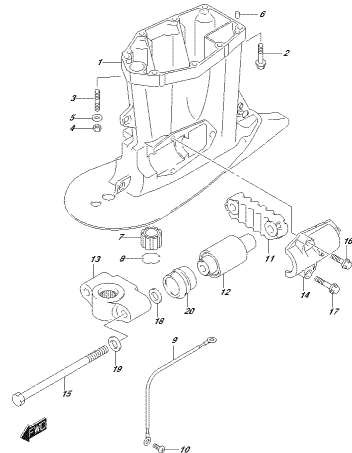
DKRBA_EFI_016.401A
ENGINE SHAFT

FIG.405A



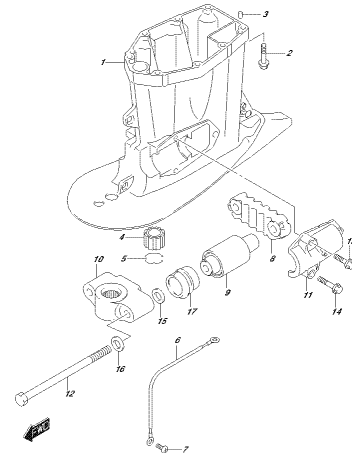
DKRBA_EFI_016.405A
ENGINE SHAFT

FIG.405B



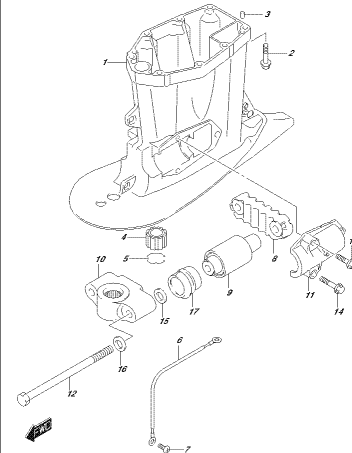
DKRBA_EFI_016.405B
ENGINE SHAFT

FIG.405C



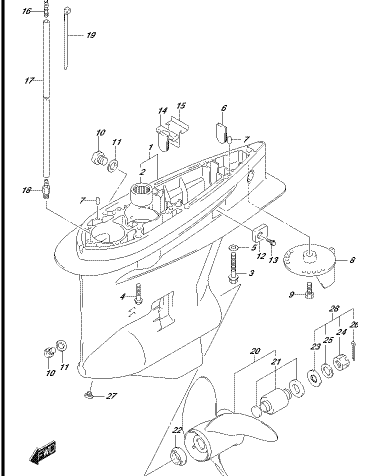
DKRBA_EFI_016.405C
ENGINE SHAFT

FIG.405D



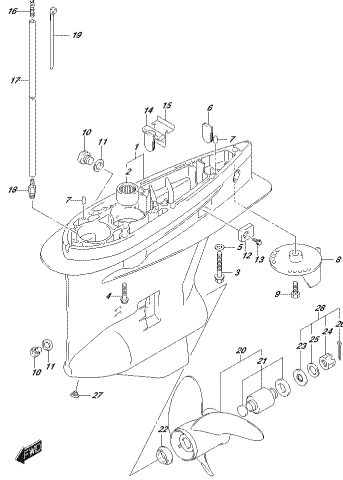
DKRBA_EFI_016.405D
ENGINE SHAFT

FIG.407A



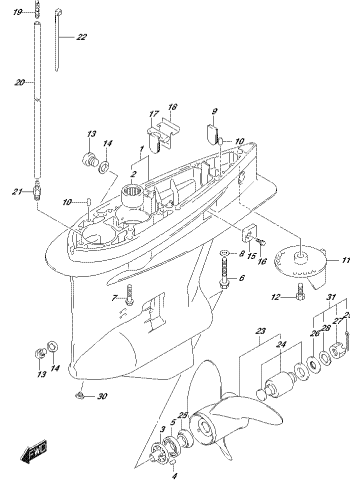
DKRBA_EFI_016.407A
GEAR CASE

FIG.407B



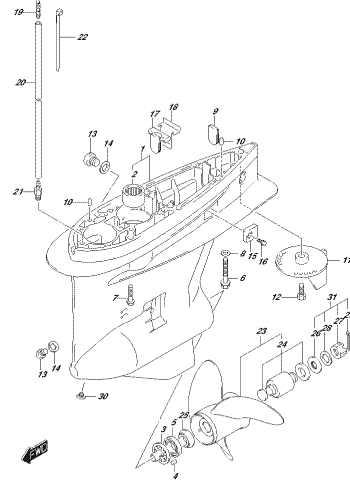
OKIBAL_EPL_016_407B
SEE COVER

FIG.407C



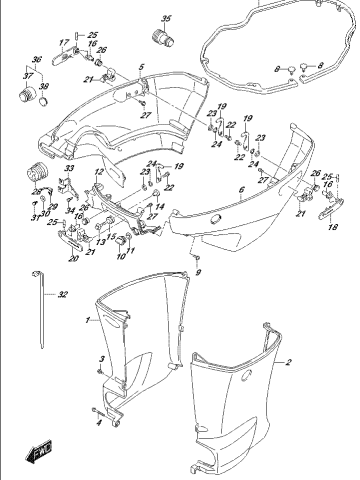
OKIBAL_EPL_016_407C
SEE COVER

FIG.407D



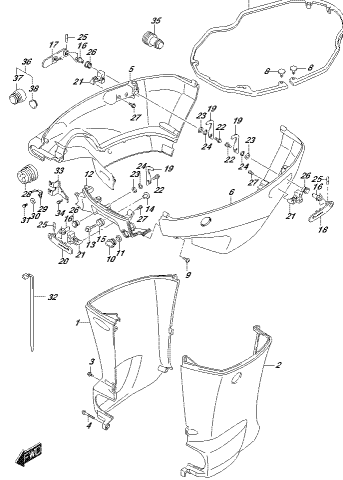
OKIBAL_EPL_016_407D
SEE COVER

FIG.410A



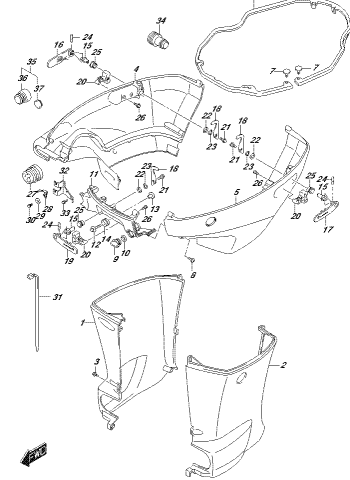
OKIBAL_EPL_016_410A
SEE COVER

FIG.410B



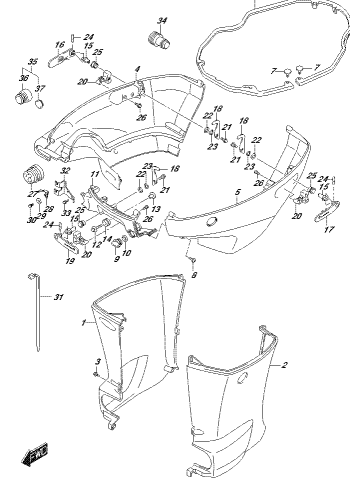
OKIBAL_EPL_016_410B
SEE COVER

FIG.410C



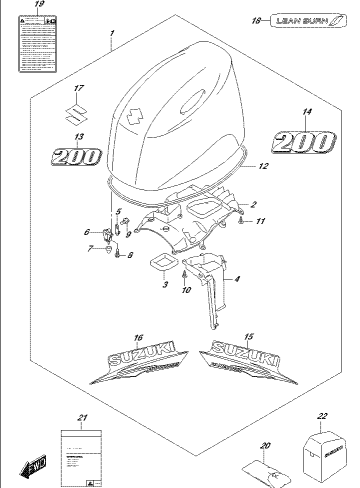
OKIBAL_EPL_016_410C
SEE COVER

FIG.410D



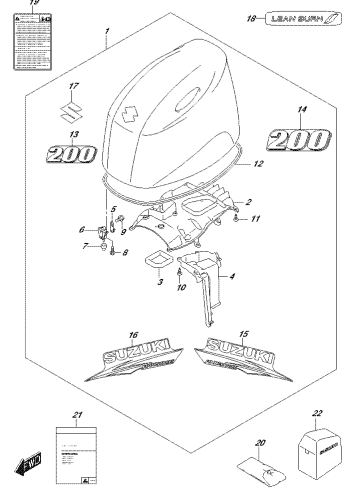
OKIBAL_EPL_016_410D
SEE COVER

FIG.420A



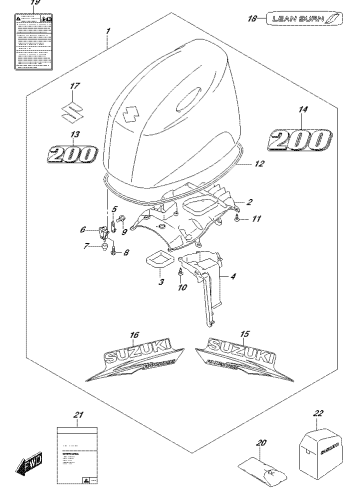
OKIBAL_EPL_016_420A
ENGINE COVER

FIG. 420B



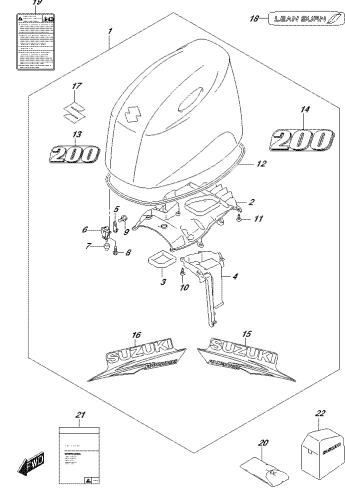
DKRBA_EPL_016_420B
ENGINE COVER

FIG. 420C



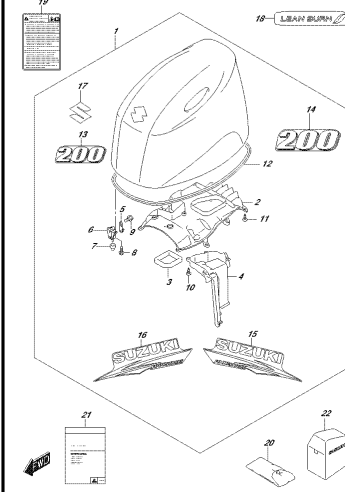
DKRBA_EPL_016_420C
ENGINE COVER

FIG. 420D



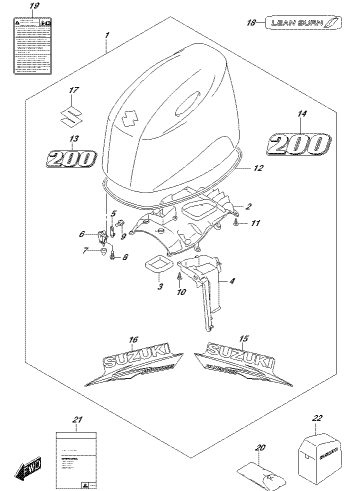
DKRBA_EPL_016_420D
ENGINE COVER

FIG. 420E



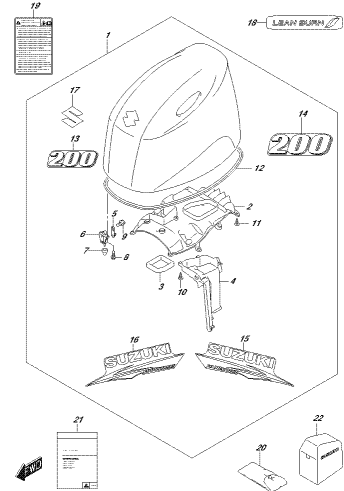
DKRBA_EPL_016_420E
ENGINE COVER

FIG. 420F



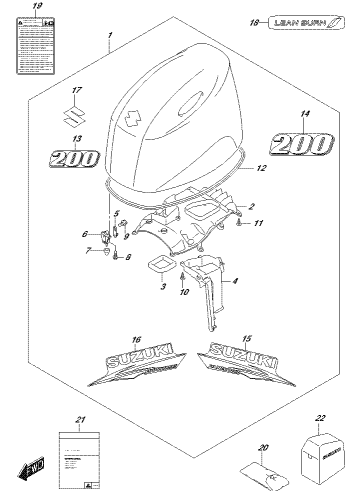
DKRBA_EPL_016_420F
ENGINE COVER

FIG. 420G



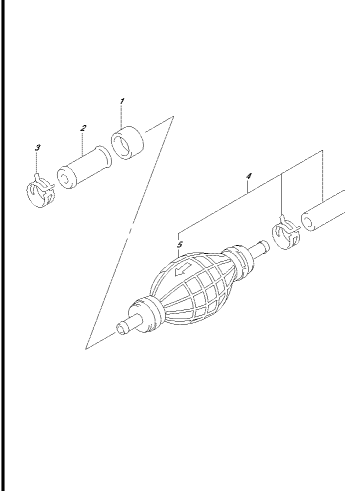
DKRBA_EPL_016_420G
ENGINE COVER

FIG. 420H



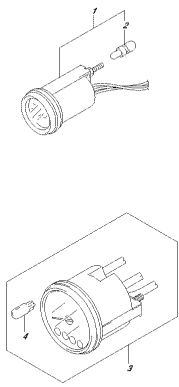
DKRBA_EPL_016_420H
ENGINE COVER

FIG. 430A



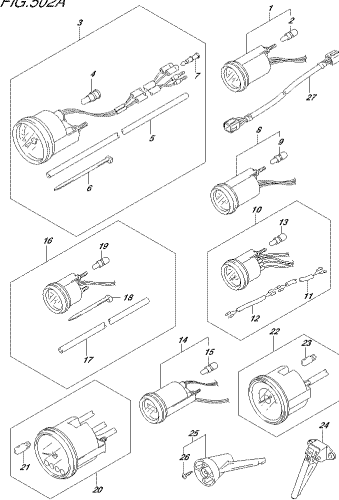
DKRBA_EPL_016_430A
FUEL HOSE

FIG.460A



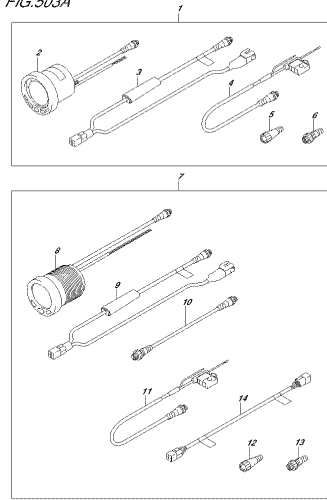
DKR04A_E01_016.460A
NET 020

FIG.502A



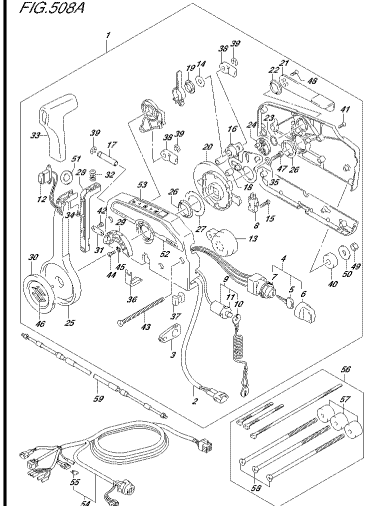
DKR04A_E01_016.502A
OPT-HEATER (1)

FIG.503A



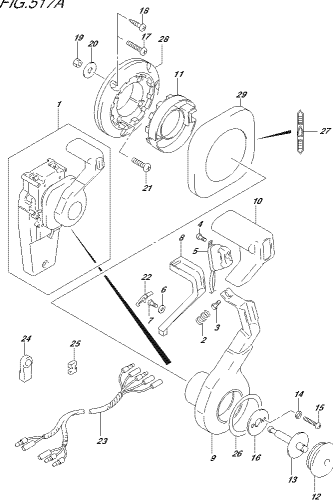
DKR04A_E01_016.503A
OPT-HEATER (2)

FIG.508A



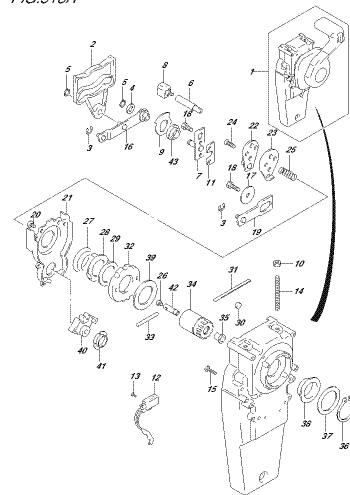
DKR04A_E01_016.508A
OPT-SENSOR CONTROL

FIG.517A



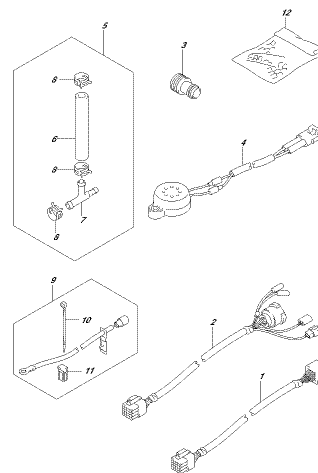
DKR04A_E01_016.517A
OPT-CONTROL HEAD/END (1)

FIG.518A



DKR04A_E01_016.518A
OPT-CONTROL HEAD/END (2)

FIG.522A



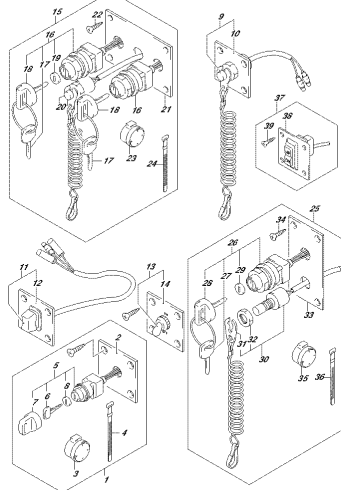
DKR04A_E01_016.522A
OPT-HARNESS (1)

FIG.523A



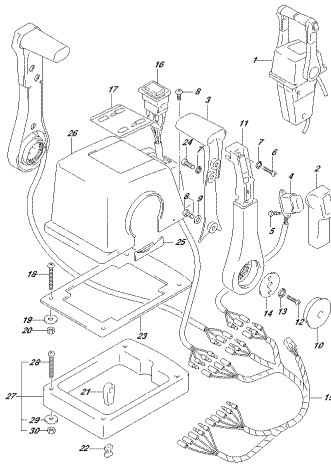
DKR04A_E01_016.523A
OPT-HARNESS (2)

FIG.530A



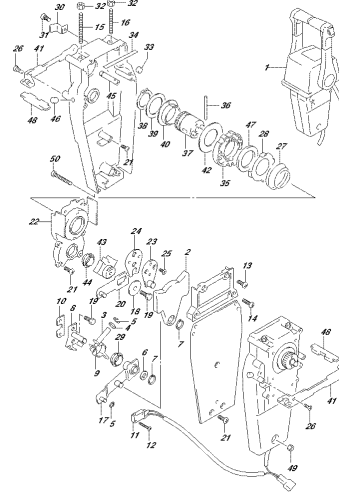
DKR04A_EPL_016.S04
OPT.PARABOLIC CONTROL ASSY (2)

FIG.541A



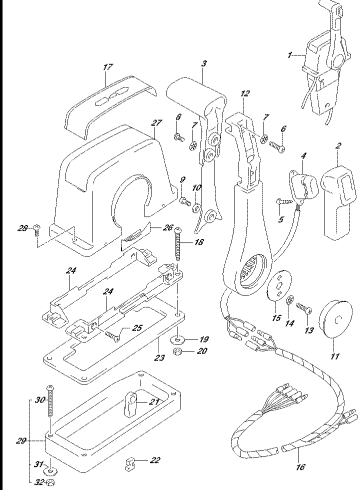
DKR04A_EPL_016.S44
OPT.PARABOLIC CONTROL ASSY (2)

FIG.542A



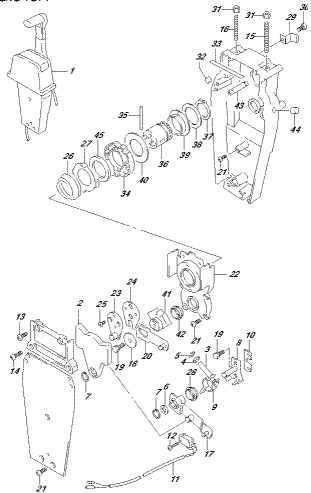
DKR04A_EPL_016.S44
OPT.PARABOLIC CONTROL ASSY (2)

FIG.544A



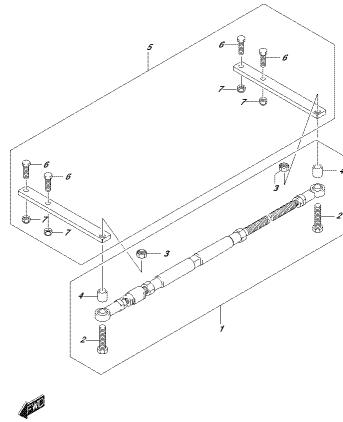
DKR04A_EPL_016.S44
OPT.PARABOLIC CONTROL ASSY (SINGLE 7)

FIG.545A



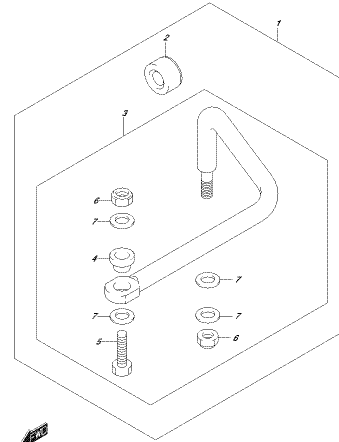
DKR04A_EPL_016.S44
OPT.PARABOLIC CONTROL ASSY (SINGLE 2)

FIG.573A



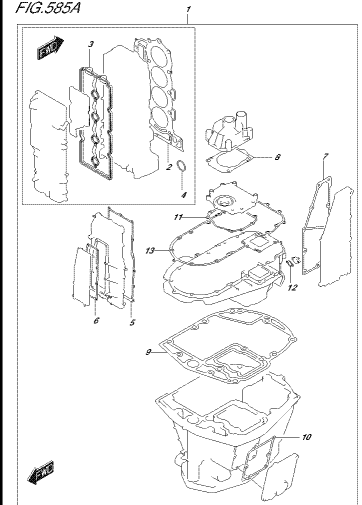
DKR04A_EPL_016.S704
OPT.RE.AE2

FIG.575A



DKR04A_EPL_016.S704
OPT.10A647LW

FIG.585A



DKR04A_EPL_016.S804
OPT.10A647SET

FIG. 588A

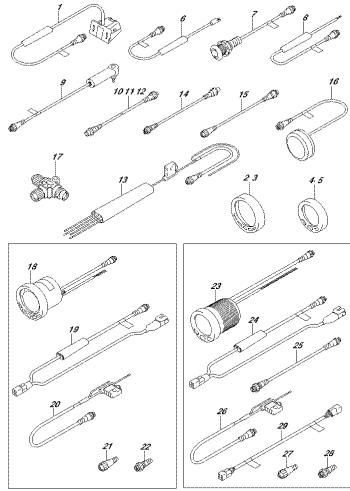


FIG. 588A (1) (2) (3) (4) (5) (6) (7) (8) (9) (10) (11) (12) (13) (14) (15) (16) (17) (18) (19) (20) (21) (22) (23) (24) (25) (26) (27) (28)

FIG.111A

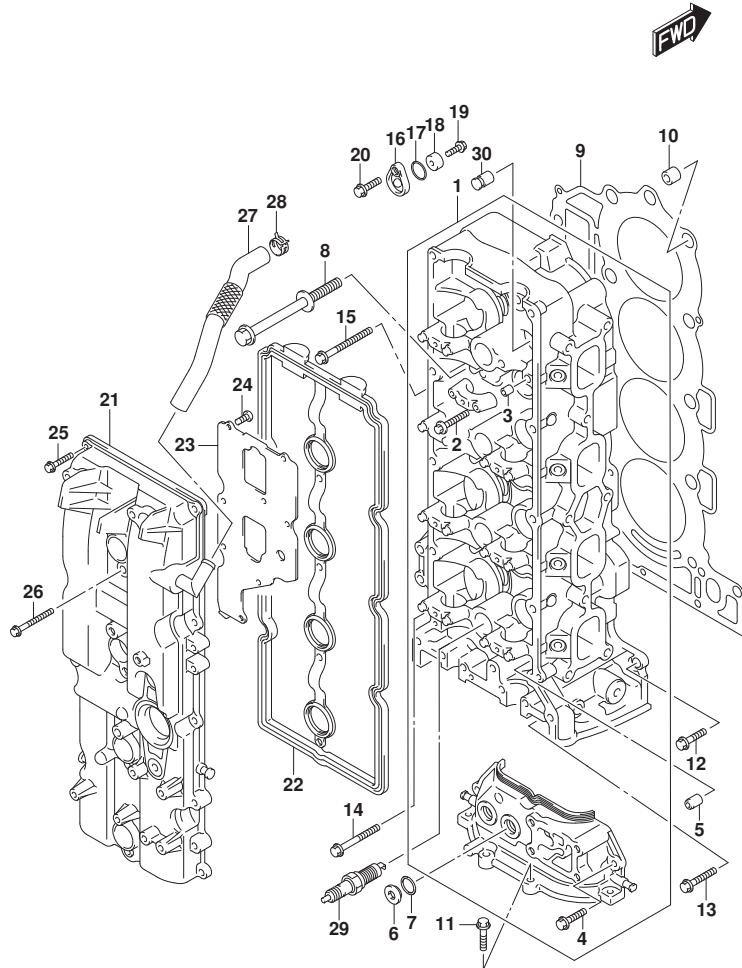
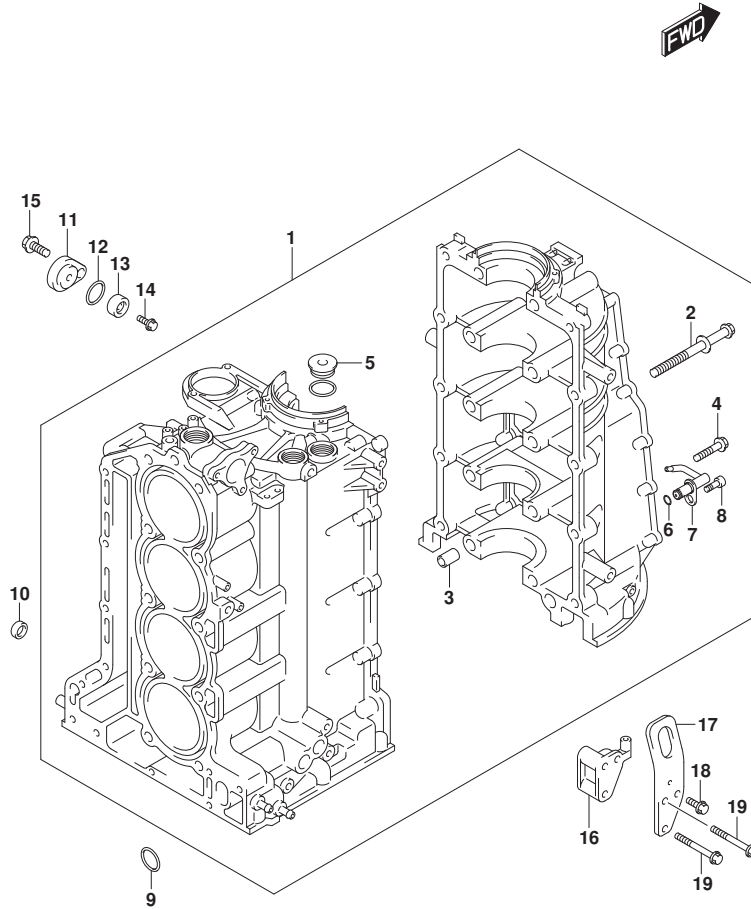


FIG.111A (1-B-2) CYLINDER HEAD

REF NO.	PART NO.	DESCRIPTION	Q'TY	REMARKS
1	11100-96L00	HEAD ASSY, CYLINDER	1	
2	09103-06266	.BOLT (6X40)	20	
3	09206-08001	.PIN (8X11)	18	
4	01547-06207	.BOLT	2	
5	11112-84400	PLUG, OIL VENTURI	1	
6	11116-93J01	PLUG	2	
7	09168-16009	GASKET (16X22X0.8)	2	
8	11119-96J00	BOLT, CYL HEAD	10	
9	11141-96L00	GASKET, CYLINDER HEAD	1	
10	09206-15001	PIN (12.4X15X17)	2	
11	01550-08257	BOLT	4	
12	01550-08257	BOLT	1	
13	01550-0835A	BOLT	2	
14	01550-08457	BOLT	1	
15	01550-08607	BOLT	6	
16	11261-93J00	COVER, PROTECTION ANODE	3	
17	09280-22019	O RING (D:1.9,ID:21.8)	3	
18	55321-87J00	ANODE, PROTECTION	3	
19	09103-06281	BOLT (6X14)	3	
20	01550-08207	BOLT	3	
21	11170-96J11	COVER, CYLINDER HEAD	1	
22	11189-96J00	GASKET, CYLINDER HEAD COVER	1	
23	11173-96J00	PLATE, BREATHER	1	
24	02112-0612A	SCREW	8	
25	01547-06257	BOLT	10	
26	01547-06507	BOLT	4	
27	11174-96J00	HOSE, BREATHER	1	
28	09401-18410	CLIP	1	
29	09482-00649	SPARK PLUG (LKR6E)	4	NGK
30	11115-93J10-001	GUIDE, VALVE (OS)	16	OPT

FIG.113A

FIG.113A (1-B-3) CYLINDER BLOCK



REF NO.	PART NO.	DESCRIPTION	Q'TY	REMARKS
1	11300-96L00	BLOCK ASSY, CYLINDER	1	
2	11117-96J01	.BOLT, CRANKCASE (11X128)	10	
3	09206-14004	.PIN (14X11.4X23)	5	
4	09103-10284	.BOLT (10X45)	10	
5	09248-26001	.PLUG (26X11)	4	
6	09280-05007	.O RING (D:1.2,ID:4.7)	4	
7	11390-96J00	.JET, PISTON COOLING	4	
8	09106-06075	.BOLT (6X12)	4	
9	11318-96J00	O RING, BALANCER OIL GALLERY	1	
10	09329-14002	CUSHION	2	
11	11261-93J00	COVER, PROTECTION ANODE	1	
12	09280-22019	O RING (D:1.9,ID:21.8)	1	
13	55321-87J00	ANODE, PROTECTION	1	
14	09103-06281	BOLT (6X14)	1	
15	01550-08207	BOLT	1	
16	11294-96J00	BRACKET, STBD HOOK	1	
17	11291-96J00	HOOK, ENGINE STBD	1	
18	01550-08167	BOLT	1	
19	01550-08557	BOLT	2	

FIG.116A

FIG.116A (1-B-4) CRANKSHAFT

REF NO.	PART NO.	DESCRIPTION	Q'TY	REMARKS
1	12111-96L00-0B0	PISTON	4	
2	12140-96J00	RING SET, PISTON	4	
3	12151-96J00	PIN, PISTON	4	
4	12160-96L00	CONNROD ASSY	4	
5	04221-04089	.PIN	8	
6-1	12100-96811-0A0	BEARING SET, CONNROD (GREEN)	4	
6-2	12100-96811-025	BEARING SET, CONNROD (US:0.25) (RED)	4	OPT
7	12221-96J10	CRANKSHAFT	1	
8-1	12340-96J01-0B0	BEARING SET, CRANKSHAFT (BLACK)	5	
8-2	12340-96J01-0C0	BEARING SET, CRANKSHAFT (NON)	5	
8-3	12340-96J01-0D0	BEARING SET, CRANKSHAFT (YELLOW)	5	
8-4	12340-96J01-0E0	BEARING SET, CRANKSHAFT (BLUE)	5	
8-5	12340-96J01-0F0	BEARING SET, CRANKSHAFT (PINK)	5	
8-6	12300-96811-0BA	BEARING SET, CRANKSHAFT (RED/BLACK)	5	OPT US:0.25
8-7	12300-96811-0CA	BEARING SET, CRANKSHAFT (RED)	5	OPT US:0.25
8-8	12300-96811-0DA	BEARING SET, CRANKSHAFT (RED/YELLOW)	5	OPT US:0.25
8-9	12300-96811-0EA	BEARING SET, CRANKSHAFT (RED/BLUE)	5	OPT US:0.25
8-10	12300-96811-0FA	BEARING SET, CRANKSHAFT (RED/PINK)	5	OPT US:0.25
9-1	12300-85830	BEARING SET, CRANK THRUST	1	
9-2	12300-85830-012	BEARING SET, CRANK THRUST (OS:0.12)	1	OPT
10	12242-96J00	GEAR, DRIVE (NT:30)	1	
11	09103-10229	BOLT (10X32)	1	
12	09160-10120	WASHER (10X42X3)	1	
13	09283-91001	OIL SEAL (91X109X10)	1	
14	12100-96L00-050	PISTON SET (OS:0.50)	4	OPT
15	12140-96J00-050	.RING SET, PISTON (OS:0.50)	4	OPT

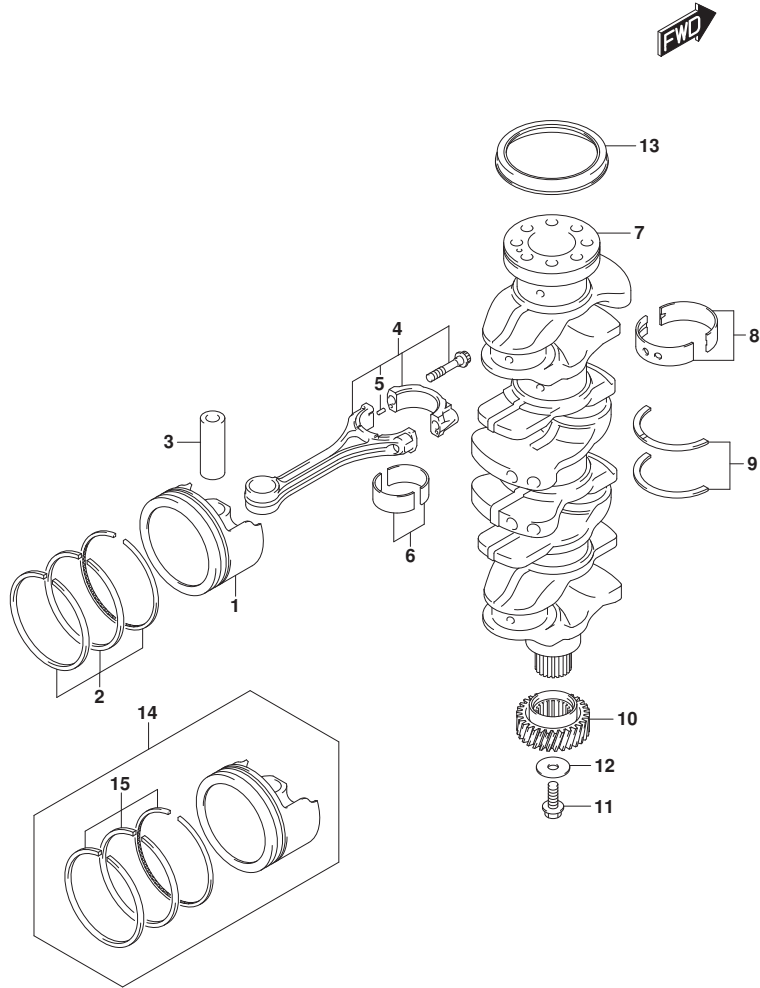


FIG.118A

FIG.118A (1-B-5) BALANCER

REF NO.	PART NO.	DESCRIPTION	Q'TY	REMARKS
1	11330-96J10	COVER, BALANCER SHAFT	1	
2	11332-96J00	GASKET, BALANCER COVER	1	
3	01550-06257	BOLT	15	
4	11340-96J00	COVER, BALANCER WATER JACKET	1	
5	11342-96J00	GASKET, BAL WTR JACKET COVER	1	
6	01550-06257	BOLT	8	
7	11382-93J00	CAP, OIL FILLER	1	
8	09280-26006	O RING (D:3.1,ID:26.4)	1	
9	12600-96J01	HOUSING ASSY, BALANCER	1	
10	12643-96J00	.BOLT	6	
11	12644-96J00	.WASHER	6	
12	04211-11129	.PIN	4	
13	09246-05006	.PLUG (1/8PT,H:5.5)	2	
14	12660-96J20	BALANCER, PORT	1	
15	12645-96J00	BEARING, BALANCER	8	
16	12650-96J20	BALANCER, STBD	1	
17	12665-96J00	SPROCKET, BAL DRIVEN (NT:23)	1	
18	01550-1020A	BOLT	1	
19	04221-04089	PIN	1	
20	09103-08414	BOLT (8X53)	2	
21	09103-08423	BOLT (8X80)	4	
22	04211-11129	PIN	2	
23	12662-96J00	SPROCKET, BAL DRIVE (NT:46)	1	
24	09202-05032	PIN (5X12)	1	
25	12670-96J00	CHAIN, BALANCER	1	
26	12671-96J01	TENSIONER, BALANCER CHAIN	1	
27	12672-96J01	BOLT, BAL CHAIN TENSIONER	1	
28	09160-08079	WASHER (8X17X2)	1	
29	12673-96J00	SPRING, BAL CHAIN TENSIONER	1	
30	12695-96J00	GUIDE, BALANCER CHAIN	1	
31	01550-0825A	BOLT	2	
32	09103-08158	BOLT (8X75)	1	
33	09160-10039	WASHER (10.5X22X2.3)	1	

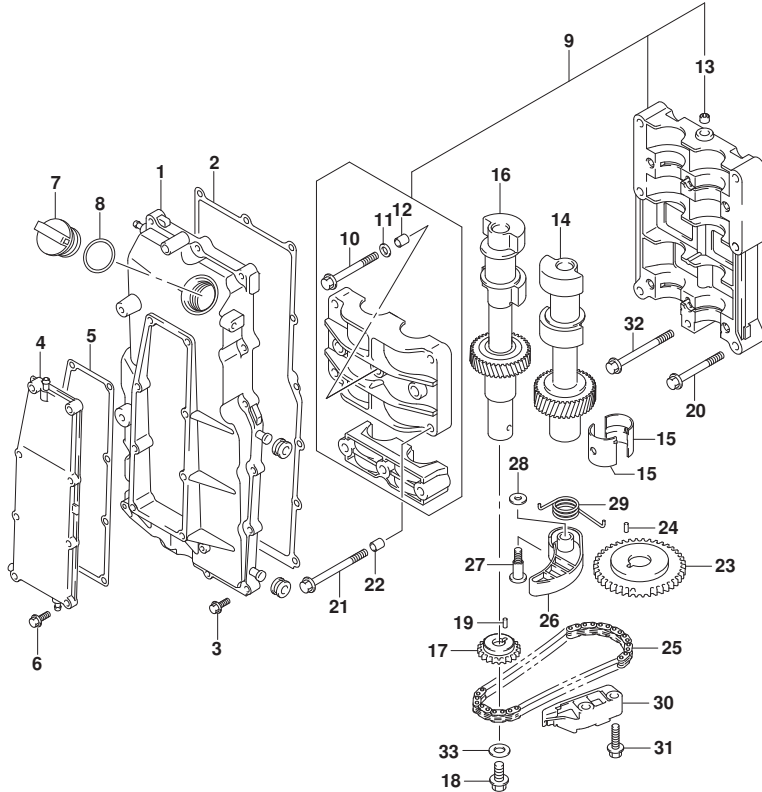


FIG.119A

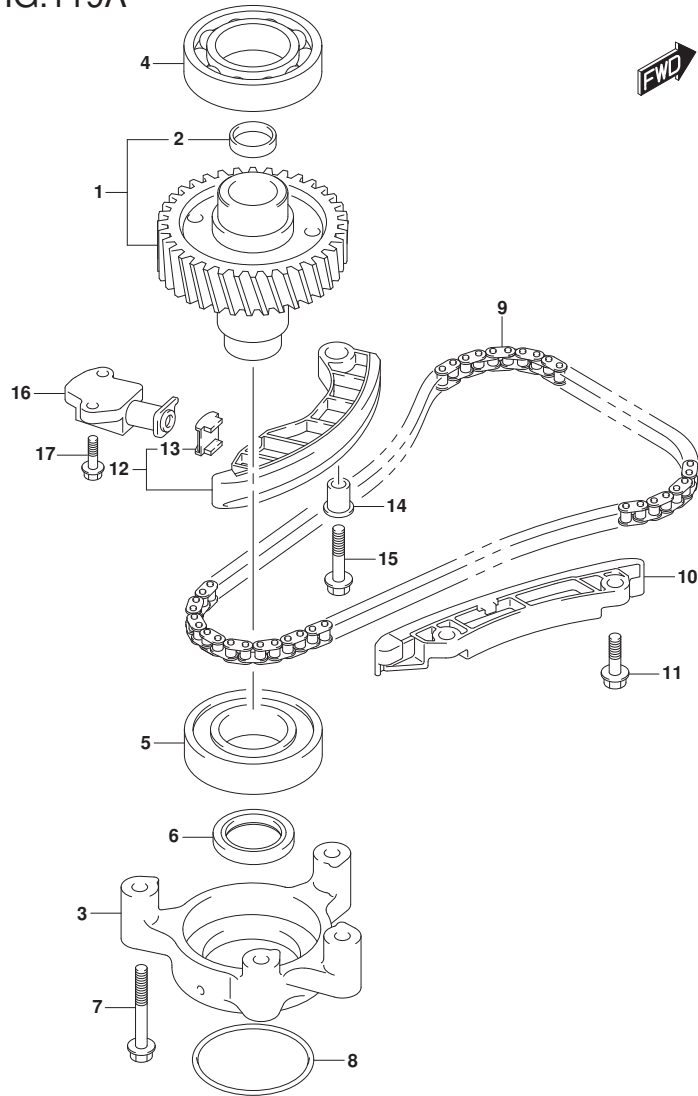


FIG.119A (1-B-6) TIMING CHAIN

REF NO.	PART NO.	DESCRIPTION	Q'TY	REMARKS
1	12730-96J01	GEAR, DRIVEN (NT:36)	1	
2	09241-25005	.PLUG (OD:25)	1	
3	12734-96J00	HOLDER, DRIVEN GEAR	1	
4	08110-62080	BEARING	1	
5	09262-40018	BEARING (40X80X18)	1	
6	09283-32044	OIL SEAL (32X47X6)	1	
7	09103-08339	BOLT (8X55)	4	
8	09280-70012	O RING (D:5.7,ID:69.6)	1	
9	12761-96J00	CHAIN, TIMING	1	
10	12772-96J00	GUIDE, TIMING CHAIN	1	
11	01550-0825A	BOLT	2	
12	12810-96J00	TENSIONER ASSY, TIMING CHAIN	1	
13	12813-73G00	.PAD, TIMING CHAIN TENSIONER	1	
14	12812-90J00	SPACER, TIMING CHAIN TENSIONER	1	
15	01550-0835A	BOLT	1	
16	12831-93J01	ADJUSTER ASSY, TENSIONER	1	
17	01550-0620A	BOLT	2	

FIG.121A

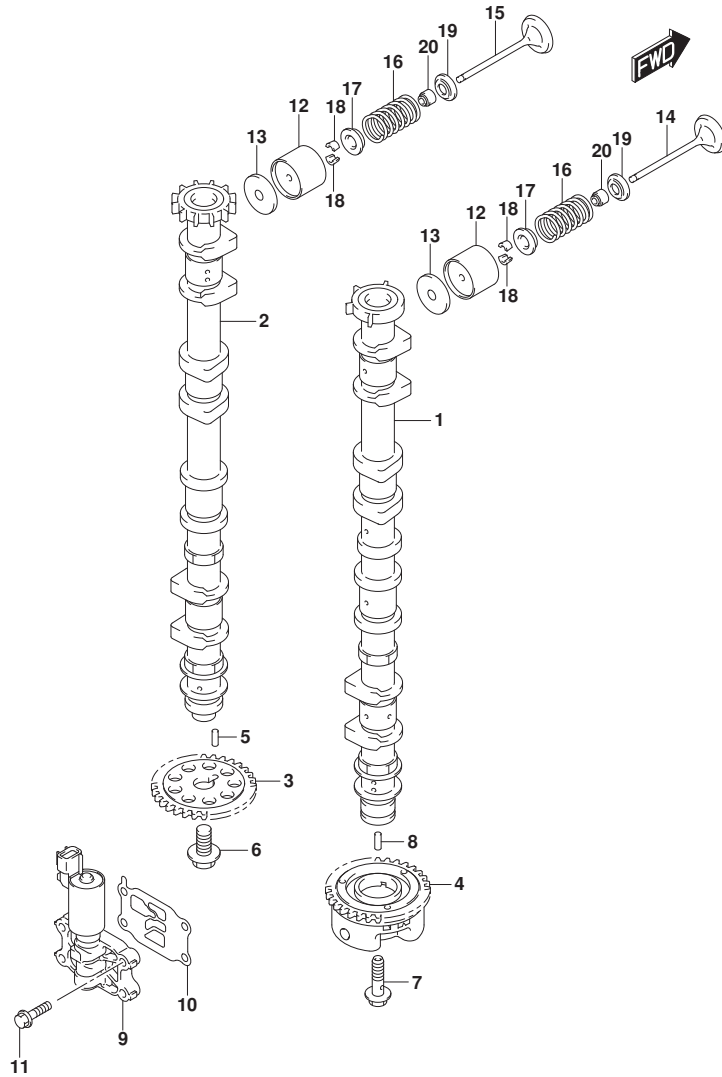


FIG.121A (1-B-7) CAMSHAFT

REF NO.	PART NO.	DESCRIPTION	Q'TY	REMARKS
1	12701-96L00	CAMSHAFT, INTAKE	1	
2	12705-96J50	CAMSHAFT, EXHAUST	1	
3	12748-96J00	SPROCKET, EXH CAMSHAFT (NT:30)	1	
4	12740-96J00	SPROCKET ASSY, CAM TIMING (NT:30)	1	
5	09202-05033	PIN (5X14.8)	1	
6	12749-93J00	BOLT, CAMSHAFT EXH	1	
7	12753-93J00	BOLT, INTAKE CAMSHAFT	1	
8	09202-05032	PIN (5X12)	1	
9	16550-93J00	VALVE, OIL CONTROL	1	
10	16555-93J00	GASKET, OCV	1	
11	01550-06257	BOLT	4	
12	12891-93J00	TAPPET	16	
13-1	12892-93J00-218	SHIM, TAPPET (T:2.175)	16	
13-2	12892-93J00-220	SHIM, TAPPET (T:2.200)	16	
13-3	12892-93J00-223	SHIM, TAPPET (T:2.225)	16	
13-4	12892-93J00-225	SHIM, TAPPET (T:2.250)	16	
13-5	12892-93J00-228	SHIM, TAPPET (T:2.275)	16	
13-6	12892-93J00-230	SHIM, TAPPET (T:2.300)	16	
13-7	12892-93J00-233	SHIM, TAPPET (T:2.325)	16	
13-8	12892-93J00-235	SHIM, TAPPET (T:2.350)	16	
13-9	12892-93J00-238	SHIM, TAPPET (T:2.375)	16	
13-10	12892-93J00-240	SHIM, TAPPET (T:2.400)	16	
13-11	12892-93J00-243	SHIM, TAPPET (T:2.425)	16	
13-12	12892-93J00-245	SHIM, TAPPET (T:2.450)	16	
13-13	12892-93J00-248	SHIM, TAPPET (T:2.475)	16	
13-14	12892-93J00-250	SHIM, TAPPET (T:2.500)	16	
13-15	12892-93J00-253	SHIM, TAPPET (T:2.525)	16	
13-16	12892-93J00-255	SHIM, TAPPET (T:2.550)	16	
13-17	12892-93J00-258	SHIM, TAPPET (T:2.575)	16	
13-18	12892-93J00-260	SHIM, TAPPET (T:2.600)	16	
13-19	12892-93J00-263	SHIM, TAPPET (T:2.625)	16	
13-20	12892-93J00-265	SHIM, TAPPET (T:2.650)	16	
13-21	12892-93J00-268	SHIM, TAPPET (T:2.675)	16	

FIG.121A

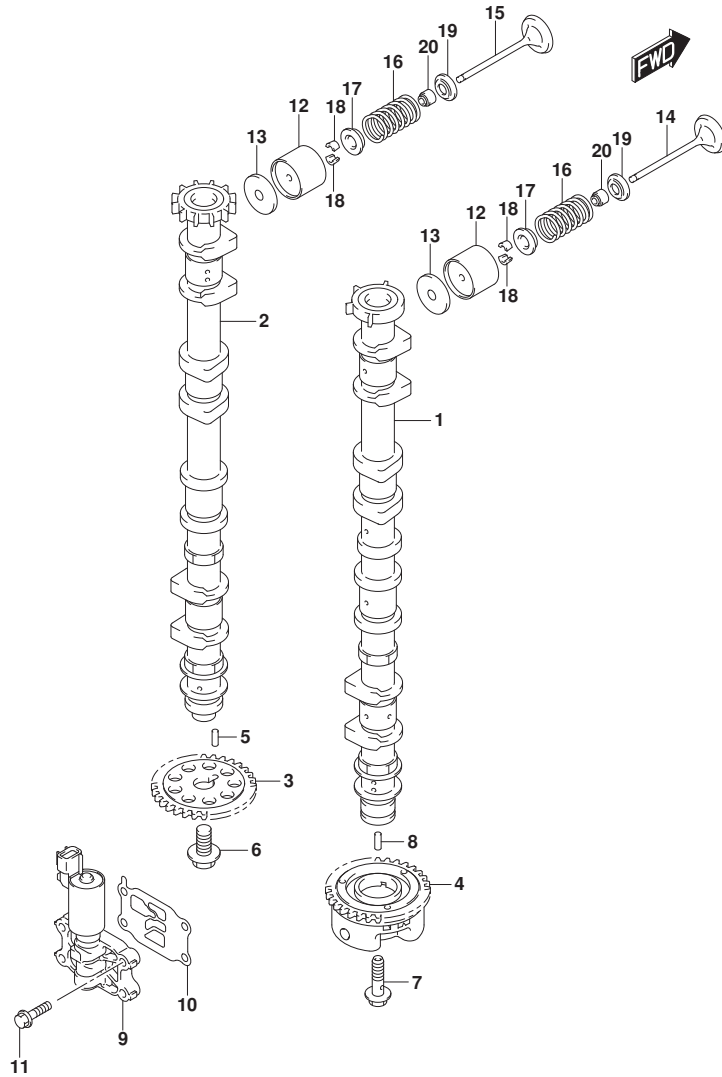


FIG.121A (1-B-8) CAMSHAFT

REF NO.	PART NO.	DESCRIPTION	Q'TY	REMARKS
13-22	12892-93J00-270	SHIM, TAPPET (T:2.700)	16	
13-23	12892-93J00-273	SHIM, TAPPET (T:2.725)	16	
13-24	12892-93J00-275	SHIM, TAPPET (T:2.750)	16	
13-25	12892-93J00-278	SHIM, TAPPET (T:2.775)	16	
13-26	12892-93J00-280	SHIM, TAPPET (T:2.800)	16	
13-27	12892-93J00-283	SHIM, TAPPET (T:2.825)	16	
13-28	12892-93J00-285	SHIM, TAPPET (T:2.850)	16	
13-29	12892-93J00-288	SHIM, TAPPET (T:2.875)	16	
13-30	12892-93J00-290	SHIM, TAPPET (T:2.900)	16	
13-31	12892-93J00-293	SHIM, TAPPET (T:2.925)	16	
13-32	12892-93J00-295	SHIM, TAPPET (T:2.950)	16	
13-33	12892-93J00-298	SHIM, TAPPET (T:2.975)	16	
13-34	12892-93J00-300	SHIM, TAPPET (T:3.000)	16	
14	12911-98J00	VALVE, INTAKE	8	
15	12915-93J50	VALVE, EXHAUST	8	
16	12921-93J10	SPRING, VALVE	16	
17	12931-78G00	RETAINER, VALVE SPRING	16	
18	12932-24400	COTTER, VALVE	32	
19	12933-69G10	SEAT, VALVE SPRING	16	
20	09289-05012	OIL SEAL (5.5X11.5X9.3)	16	

FIG.123A

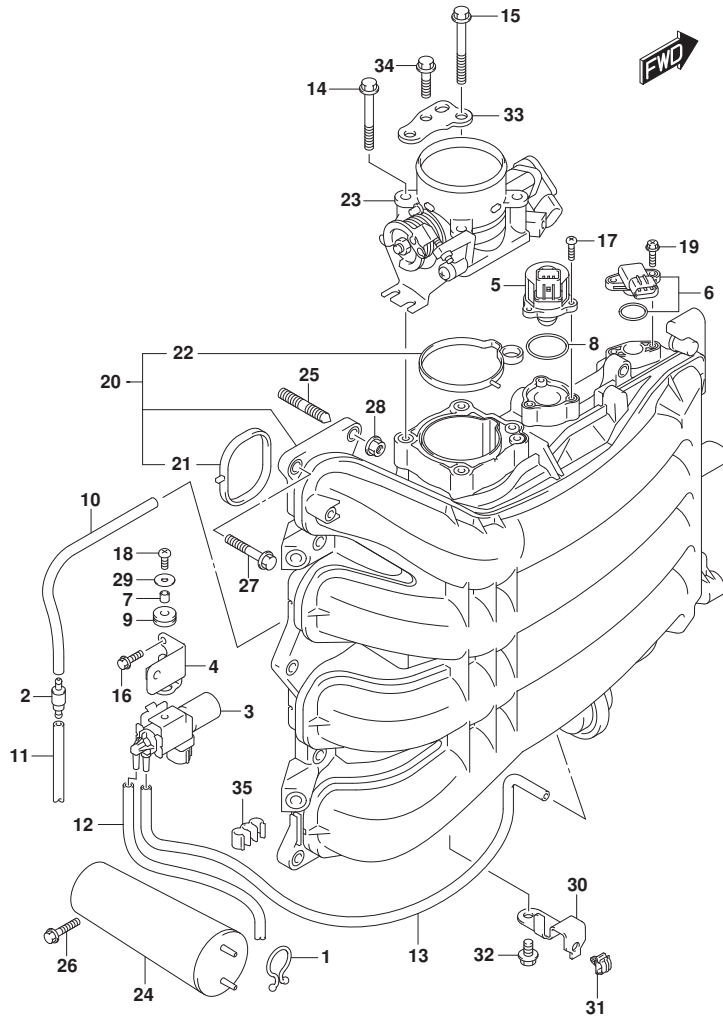


FIG.123A (1-B-9) INTAKE MANIFOLD/THROTTLE BODY

REF NO.	PART NO.	DESCRIPTION	Q'TY	REMARKS
1	09408-00008	CLIP (ID:20)	1	
2	13162-93J00	VALVE, CHECK	1	
3	18117-93J00	VALVE, VACUUM SWITCHING	1	
4	18119-96L00	BRACKET, VACUUM SW VALVE	1	
5	18137-93J00	VALVE, IAC	1	
6	18590-68H00	SENSOR, MAP	1	
7	09180-05047	SPACER (5.5X8X7.5)	1	
8	09280-29006	O RING (D:2.ID:29.5)	1	
9	09320-07015	CUSHION	1	
10	09355-35754-601	HOSE (3.5X7.5X601)	1	L:601->250
11	09355-35754-601	HOSE (3.5X7.5X601)	1	L:601->250
12	09355-35754-601	HOSE (3.5X7.5X601)	1	L:601->470
13	09355-35754-601	HOSE (3.5X7.5X601)	1	L:601->600
14	01550-08557	BOLT	3	
15	01550-08607	BOLT	1	
16	01550-06167	BOLT	2	
17	02112-34167	SCREW	3	
18	02112-05127	SCREW	1	
19	02162-05207	SCREW	2	
20	13110-96J00	MANIFOLD, INTAKE	1	
21	13119-96J00	.GASKET, INTAKE MANIFOLD	4	
22	13125-96J00	.GASKET, THROTTLE BODY	1	
23	13300-96J00	BODY ASSY, THROTTLE	1	
24	13730-96J01	CHAMBER, VACUUM	1	
25	01421-08257	STUD BOLT	2	
26	01550-06257	BOLT	2	
27	01550-08307	BOLT	8	
28	08316-10087	NUT	2	
29	09160-05045	WASHER (5.5X18X1)	1	
30	63615-96J00	BRACKET, THROTTLE CABLE CLAMP	1	
31	09403-05312	CLAMP	1	
32	01550-06127	BOLT	1	
33	13315-96J00	BRACKET, THROTTLE BODY	1	
34	01550-08207	BOLT	3	
35	09408-00035	CLIP	1	

FIG.135A

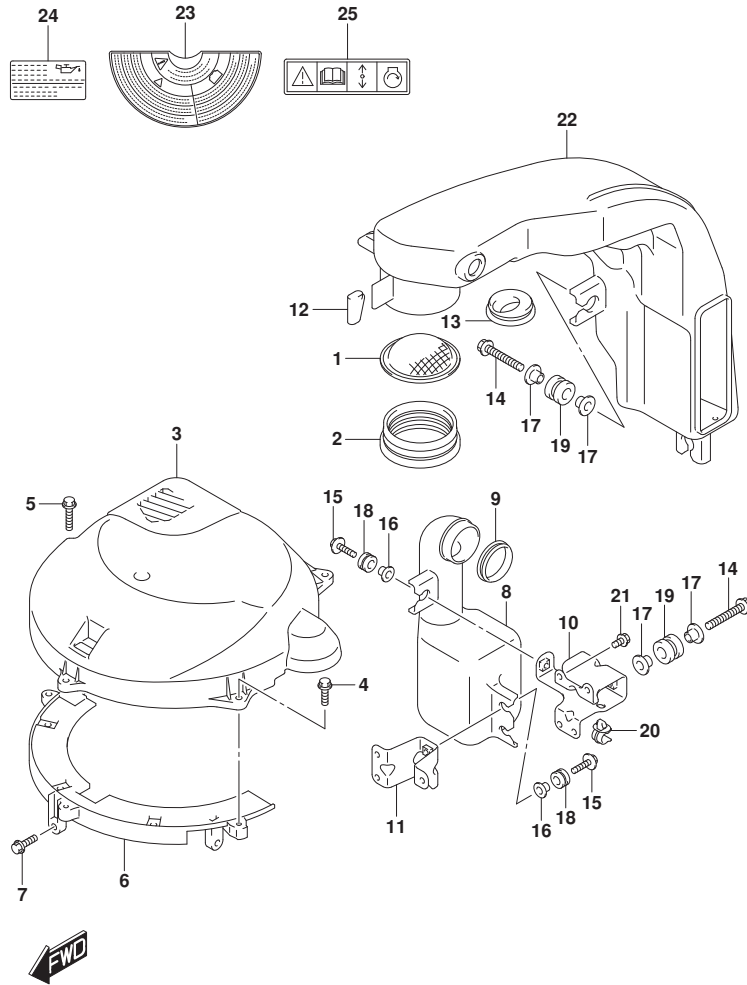


FIG.135A (1-B-10) SILENCER/RING GEAR COVER (DF200AT E01)

REF NO.	PART NO.	DESCRIPTION	Q'TY	REMARKS
1	13710-96J00	ARRESTER, FLAME	1	
2	13813-96L00	HOLDER, ARRESTER	1	
3	11510-96L00	COVER, RING GEAR UPPER	1	
4	01550-06207	BOLT	3	
5	01550-06307	BOLT	1	
6	11510-96J04	COVER, RING GEAR UNDER	1	
7	01550-06207	BOLT	2	
8	13761-96L00	RESONATOR	1	
9	13766-96L00	GROMMET, RESONATOR	1	
10	13822-96L00	BRACKET, SILENCER	1	
11	13823-96L00	BRACKET, RESONATOR	1	
12	13852-96L00	CUSHION, SILENCER	1	
13	13853-96L00	GROMMET, BREATHER HOSE	1	
14	09103-08543	BOLT (8X50)	2	
15	09116-06202	BOLT (6X25)	3	
16	09169-06062	WASHER	3	
17	09169-08042	WASHER	4	
18	09320-09016	CUSHION	3	
19	09320-12072	CUSHION	2	
20	09403-11320	CLAMP	1	
21	01550-06127	BOLT	4	
22	13811-96L00	SILENCER	1	
23	61472-93E40	LABEL, RECOIL STARTER	1	
24	61494-96J10	LABEL, OIL & CLEARANCE	1	
25	69711-93E10	LABEL, (S. I. G. P.)	1	

FIG.135B

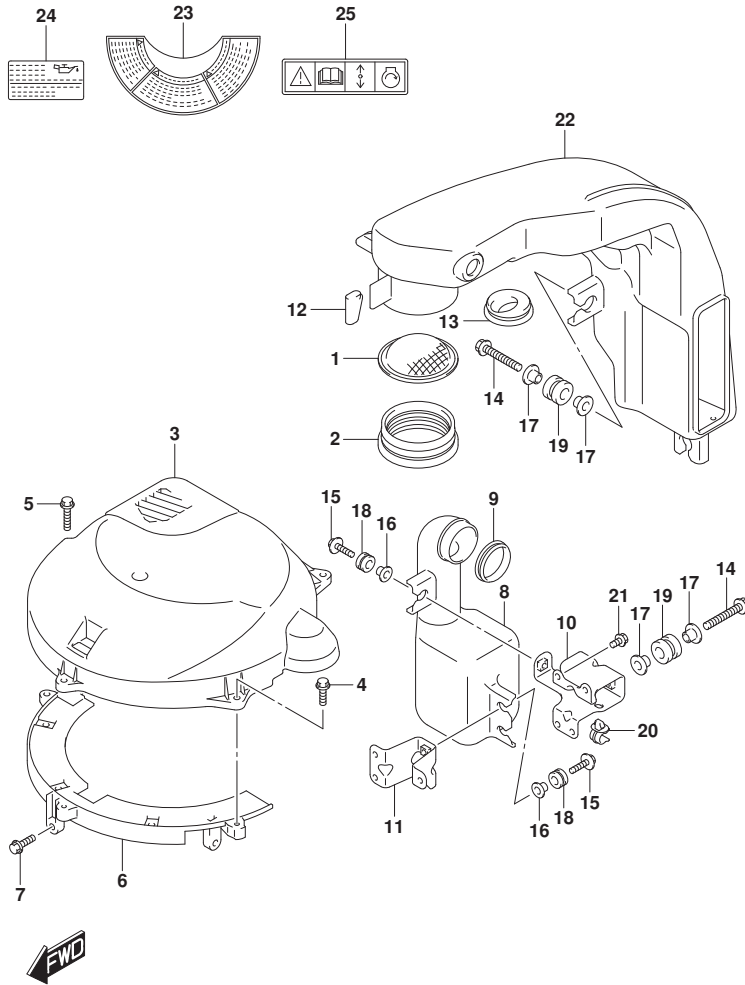


FIG.135B (1-B-11) SILENCER/RING GEAR COVER (DF200AT E40)

REF NO.	PART NO.	DESCRIPTION	Q'TY	REMARKS
1	13710-96J00	ARRESTER, FLAME	1	
2	13813-96L00	HOLDER, ARRESTER	1	
3	11510-96L00	COVER, RING GEAR UPPER	1	
4	01550-06207	BOLT	3	
5	01550-06307	BOLT	1	
6	11510-96J04	COVER, RING GEAR UNDER	1	
7	01550-06207	BOLT	2	
8	13761-96L00	RESONATOR	1	
9	13766-96L00	GROMMET, RESONATOR	1	
10	13822-96L00	BRACKET, SILENCER	1	
11	13823-96L00	BRACKET, RESONATOR	1	
12	13852-96L00	CUSHION, SILENCER	1	
13	13853-96L00	GROMMET, BREATHER HOSE	1	
14	09103-08543	BOLT (8X50)	2	
15	09116-06202	BOLT (6X25)	3	
16	09169-06062	WASHER	3	
17	09169-08042	WASHER	4	
18	09320-09016	CUSHION	3	
19	09320-12072	CUSHION	2	
20	09403-11320	CLAMP	1	
21	01550-06127	BOLT	4	
22	13811-96L00	SILENCER	1	
23	61472-93E32	LABEL, RECOIL STARTER	1	
24	61494-96J10	LABEL, OIL & CLEARANCE	1	
25	69711-93E10	LABEL, (S. I. G. P.)	1	

FIG.135C

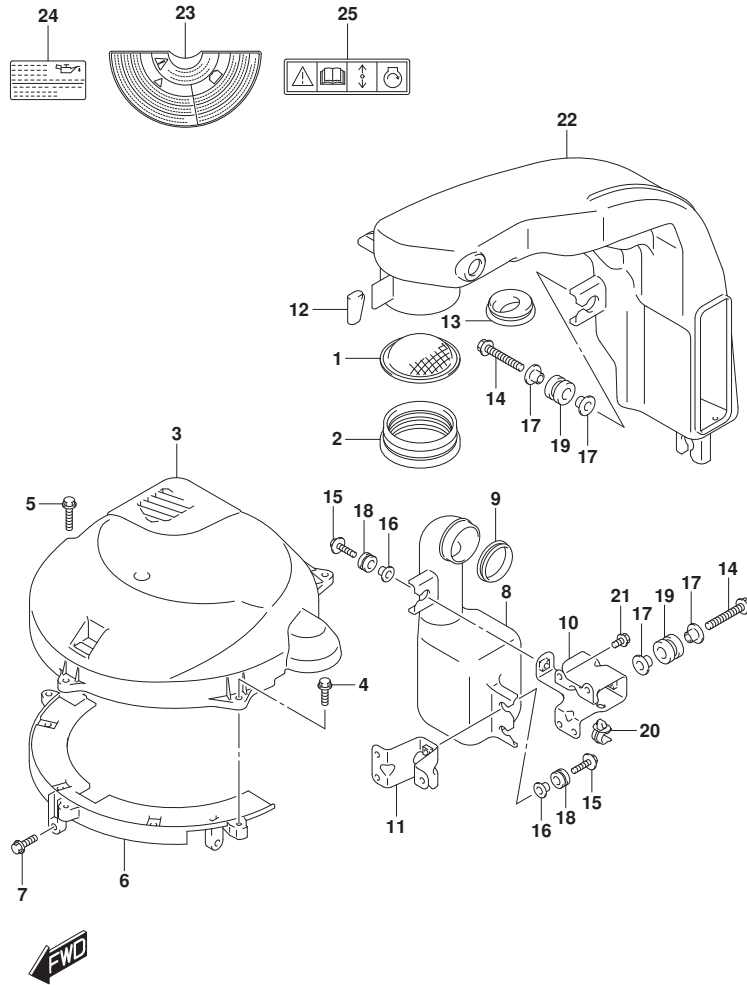


FIG.135C (1-B-12) SILENCER/RING GEAR COVER (DF200AZ E01)

REF NO.	PART NO.	DESCRIPTION	Q'TY	REMARKS
1	13710-96J00	ARRESTER, FLAME	1	
2	13813-96L00	HOLDER, ARRESTER	1	
3	11510-96L00	COVER, RING GEAR UPPER	1	
4	01550-06207	BOLT	3	
5	01550-06307	BOLT	1	
6	11510-96J04	COVER, RING GEAR UNDER	1	
7	01550-06207	BOLT	2	
8	13761-96L00	RESONATOR	1	
9	13766-96L00	GROMMET, RESONATOR	1	
10	13822-96L00	BRACKET, SILENCER	1	
11	13823-96L00	BRACKET, RESONATOR	1	
12	13852-96L00	CUSHION, SILENCER	1	
13	13853-96L00	GROMMET, BREATHER HOSE	1	
14	09103-08543	BOLT (8X50)	2	
15	09116-06202	BOLT (6X25)	3	
16	09169-06062	WASHER	3	
17	09169-08042	WASHER	4	
18	09320-09016	CUSHION	3	
19	09320-12072	CUSHION	2	
20	09403-11320	CLAMP	1	
21	01550-06127	BOLT	4	
22	13811-96L00	SILENCER	1	
23	61472-93E40	LABEL, RECOIL STARTER	1	
24	61494-96J10	LABEL, OIL & CLEARANCE	1	
25	69711-93E10	LABEL, (S. I. G. P.)	1	

FIG.135D

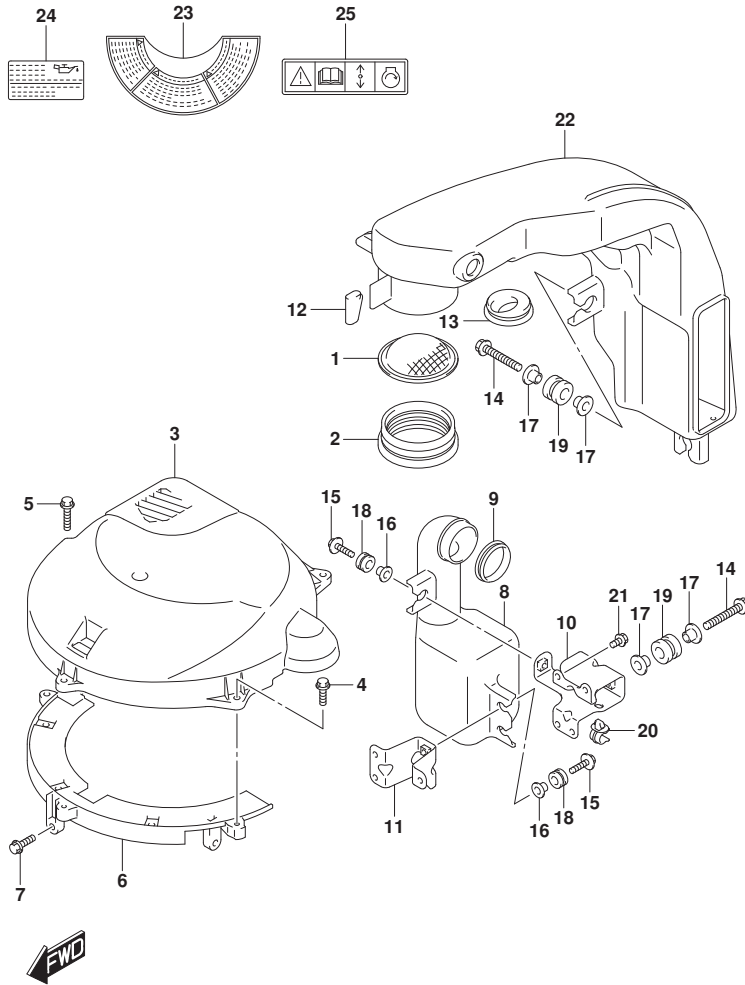


FIG.135D (1-B-13) SILENCER/RING GEAR COVER (DF200AZ E40)

REF NO.	PART NO.	DESCRIPTION	Q'TY	REMARKS
1	13710-96J00	ARRESTER, FLAME	1	
2	13813-96L00	HOLDER, ARRESTER	1	
3	11510-96L00	COVER, RING GEAR UPPER	1	
4	01550-06207	BOLT	3	
5	01550-06307	BOLT	1	
6	11510-96J04	COVER, RING GEAR UNDER	1	
7	01550-06207	BOLT	2	
8	13761-96L00	RESONATOR	1	
9	13766-96L00	GROMMET, RESONATOR	1	
10	13822-96L00	BRACKET, SILENCER	1	
11	13823-96L00	BRACKET, RESONATOR	1	
12	13852-96L00	CUSHION, SILENCER	1	
13	13853-96L00	GROMMET, BREATHER HOSE	1	
14	09103-08543	BOLT (8X50)	2	
15	09116-06202	BOLT (6X25)	3	
16	09169-06062	WASHER	3	
17	09169-08042	WASHER	4	
18	09320-09016	CUSHION	3	
19	09320-12072	CUSHION	2	
20	09403-11320	CLAMP	1	
21	01550-06127	BOLT	4	
22	13811-96L00	SILENCER	1	
23	61472-93E32	LABEL, RECOIL STARTER	1	
24	61494-96J10	LABEL, OIL & CLEARANCE	1	
25	69711-93E10	LABEL, (S. I. G. P.)	1	

FIG.140A

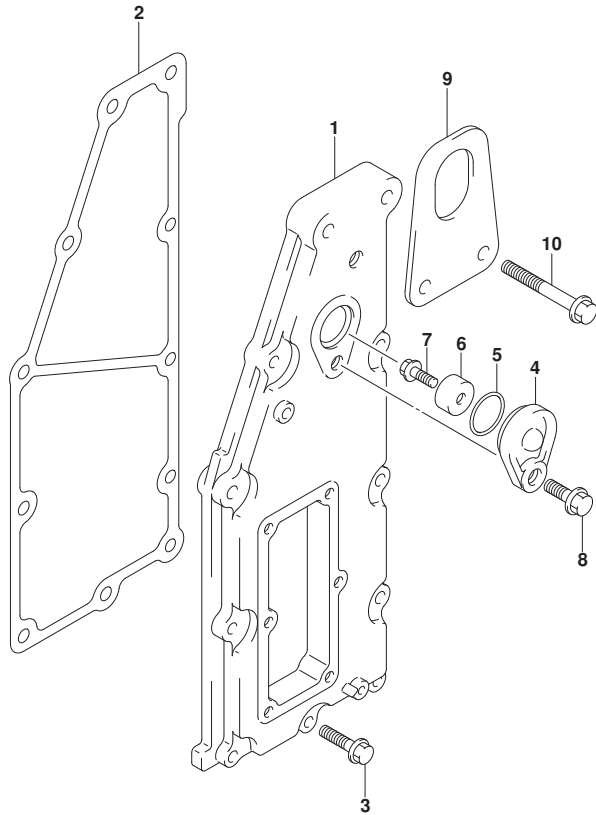


FIG.140A (1-B-14) EXHAUST COVER

REF NO.	PART NO.	DESCRIPTION	Q'TY	REMARKS
1	14141-96J00	COVER, EXHAUST	1	
2	14151-96J00	GASKET, EXH COVER	1	
3	01550-06307	BOLT	9	
4	11261-93J00	COVER, PROTECTION ANODE	1	
5	09280-22019	O RING (D:1.9,ID:21.8)	1	
6	55321-87J00	ANODE, PROTECTION	1	
7	09103-06281	BOLT (6X14)	1	
8	01550-08207	BOLT	1	
9	11292-96J00	HOOK, ENGINE PORT	1	
10	01550-08457	BOLT	2	



FIG.143A

FIG.143A (1-B-15) FUEL VAPOR SEPARATOR (DF200AT E01)

REF NO.	PART NO.	DESCRIPTION	Q'TY	REMARKS
1	15600-96J02	SEPARATOR, FUEL VAPOR	1	
2	13370-96J00	.VALVE, NEEDLE	1	
3	02142-0408B	.SCREW	1	
4	15200-96J00	.PUMP, FUEL	1	
5	15647-93J00	.BUSH	1	
6	15626-96J00	.SEAL	1	
7	15628-99E00	.SCREW (L:15)	5	
8	15629-99E10	.SCREW, DRAIN	1	
9	15641-96J00	.SPACER, FUEL PUMP	1	
10	15642-90J00	.FILTER, FUEL PUMP	1	
11	15650-96J00	.FLOAT	1	
12	13254-01010	.PIN	1	
13	02112-0408A	.SCREW	1	
14	15760-93J00	.REGULATOR	1	
15	02112-05107	.SCREW	1	
16	15683-87J00	.HOSE, DRAIN	1	
17	09169-08042	WASHER	6	
18	09320-12072	CUSHION	3	
19	01550-08357	BOLT	1	
20	01550-08407	BOLT	2	
21	15660-96J20	HOSE, EVAPORATION	1	
22	18498-99E00	.PROTECTOR, EVAP HOSE (L:760)	1	
23	09401-08412	.CLIP	2	
24	09352-50823-00B	.HOSE (5X8.2X2000)	1	L:2000->1000
25	09401-08412	CLIP	1	
26	09352-50823-600	HOSE (5X8.2X600)	1	L:600->45
27	09364-06010	UNION	1	
28	09403-13408	CLAMP	1	
29	09408-00008	CLIP (ID:20)	1	
30	09408-00078	CLAMP	1	

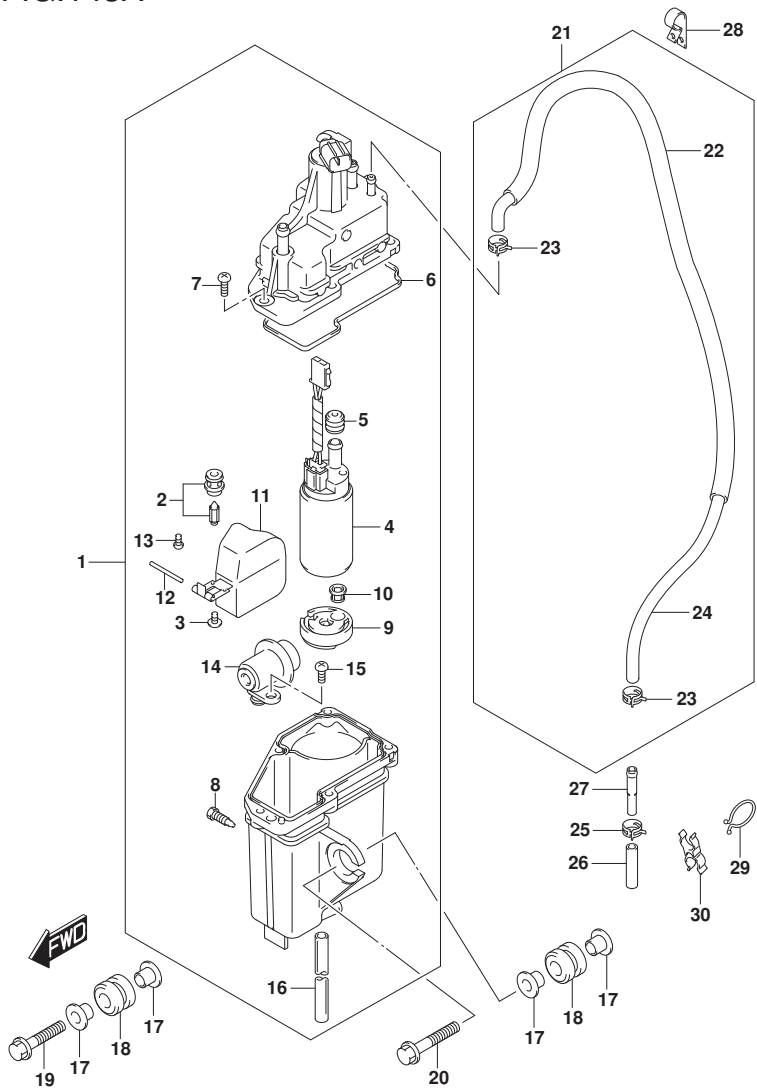


FIG.143B

FIG.143B (1-C-2) FUEL VAPOR SEPARATOR (DF200AT E40)

REF NO.	PART NO.	DESCRIPTION	Q'TY	REMARKS
1	15600-96J12	SEPARATOR, FUEL VAPOR	1	
2	13370-96J00	.VALVE, NEEDLE	1	
3	02142-0408B	.SCREW	1	
4	15200-96J10	.PUMP, FUEL	1	
5	15647-93J10	.BUSH	1	
6	15626-96J00	.SEAL	1	
7	15628-99E00	.SCREW (L:15)	5	
8	15629-99E10	.SCREW, DRAIN	1	
9	15641-96J00	.SPACER, FUEL PUMP	1	
10	15642-90J00	.FILTER, FUEL PUMP	1	
11	15650-96J00	.FLOAT	1	
12	13254-01010	.PIN	1	
13	02112-0408A	.SCREW	1	
14	15760-93J00	.REGULATOR	1	
15	02112-05107	.SCREW	1	
16	15683-87J00	.HOSE, DRAIN	1	
17	09169-08042	WASHER	6	
18	09320-12072	CUSHION	3	
19	01550-08357	BOLT	1	
20	01550-08407	BOLT	2	
21	15660-96J20	HOSE, EVAPORATION	1	
22	18498-99E00	.PROTECTOR, EVAP HOSE (L:760)	1	
23	09401-08412	.CLIP	2	
24	09352-50823-00B	.HOSE (5X8.2X2000)	1	L:2000->1000
25	09401-08412	CLIP	1	
26	09352-50823-600	HOSE (5X8.2X600)	1	L:600->45
27	09364-06010	UNION	1	
28	09403-13408	CLAMP	1	
29	09408-00008	CLIP (ID:20)	1	
30	09408-00078	CLAMP	1	

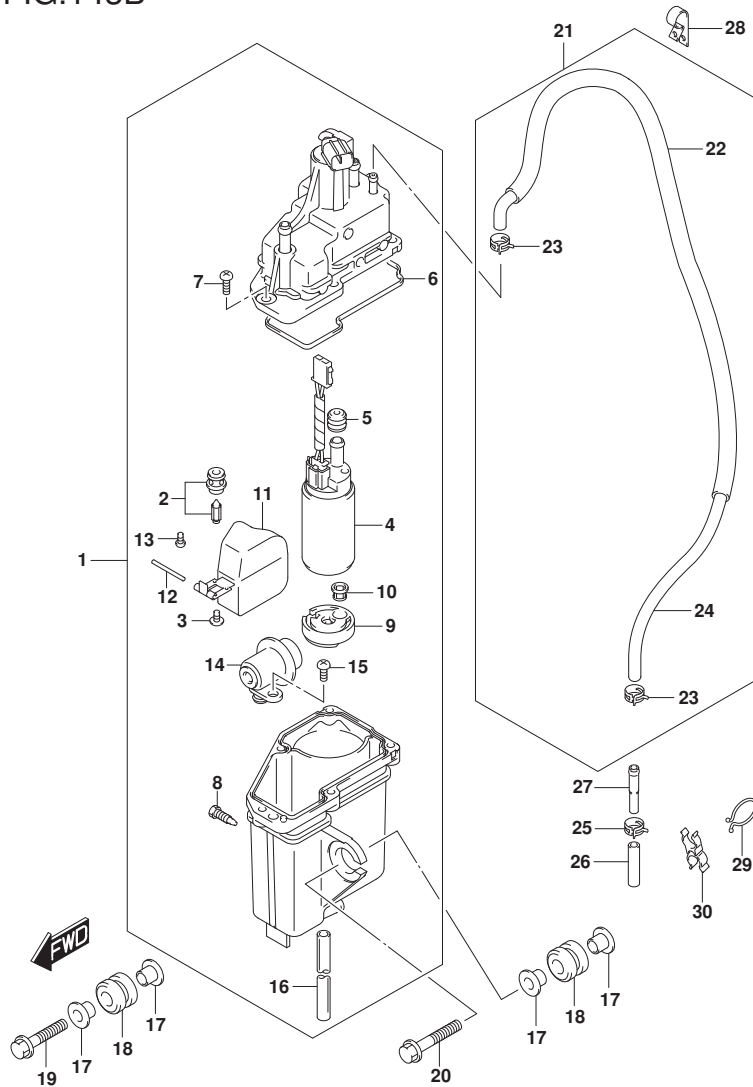


FIG.143C

FIG.143C (1-C-3) FUEL VAPOR SEPARATOR (DF200AZ E01)

REF NO.	PART NO.	DESCRIPTION	Q'TY	REMARKS
1	15600-96J02	SEPARATOR, FUEL VAPOR	1	
2	13370-96J00	.VALVE, NEEDLE	1	
3	02142-0408B	.SCREW	1	
4	15200-96J00	.PUMP, FUEL	1	
5	15647-93J00	.BUSH	1	
6	15626-96J00	.SEAL	1	
7	15628-99E00	.SCREW (L:15)	5	
8	15629-99E10	.SCREW, DRAIN	1	
9	15641-96J00	.SPACER, FUEL PUMP	1	
10	15642-90J00	.FILTER, FUEL PUMP	1	
11	15650-96J00	.FLOAT	1	
12	13254-01010	.PIN	1	
13	02112-0408A	.SCREW	1	
14	15760-93J00	.REGULATOR	1	
15	02112-05107	.SCREW	1	
16	15683-87J00	.HOSE, DRAIN	1	
17	09169-08042	WASHER	6	
18	09320-12072	CUSHION	3	
19	01550-08357	BOLT	1	
20	01550-08407	BOLT	2	
21	15660-96J20	HOSE, EVAPORATION	1	
22	18498-99E00	.PROTECTOR, EVAP HOSE (L:760)	1	
23	09401-08412	.CLIP	2	
24	09352-50823-00B	.HOSE (5X8.2X2000)	1	L:2000->1000
25	09401-08412	CLIP	1	
26	09352-50823-600	HOSE (5X8.2X600)	1	L:600->45
27	09364-06010	UNION	1	
28	09403-13408	CLAMP	1	
29	09408-00008	CLIP (ID:20)	1	
30	09408-00078	CLAMP	1	

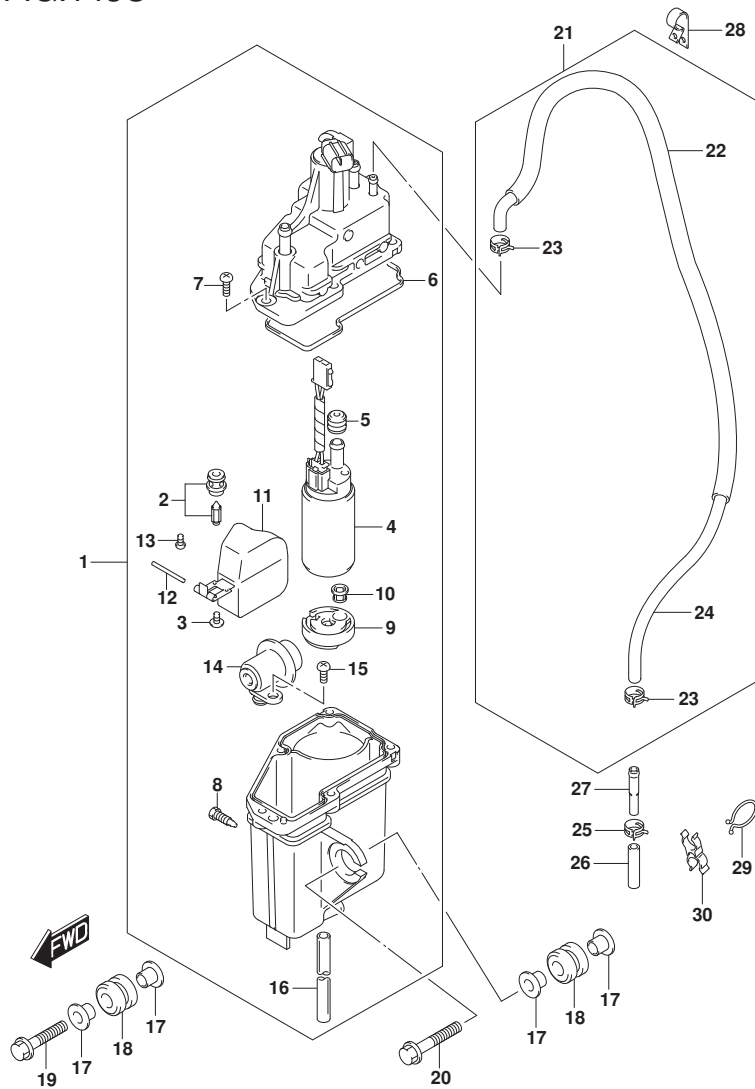


FIG.143D

FIG.143D (1-C-4) FUEL VAPOR SEPARATOR (DF200AZ E40)

REF NO.	PART NO.	DESCRIPTION	Q'TY	REMARKS
1	15600-96J12	SEPARATOR, FUEL VAPOR	1	
2	13370-96J00	.VALVE, NEEDLE	1	
3	02142-0408B	.SCREW	1	
4	15200-96J10	.PUMP, FUEL	1	
5	15647-93J10	.BUSH	1	
6	15626-96J00	.SEAL	1	
7	15628-99E00	.SCREW (L:15)	5	
8	15629-99E10	.SCREW, DRAIN	1	
9	15641-96J00	.SPACER, FUEL PUMP	1	
10	15642-90J00	.FILTER, FUEL PUMP	1	
11	15650-96J00	.FLOAT	1	
12	13254-01010	.PIN	1	
13	02112-0408A	.SCREW	1	
14	15760-93J00	.REGULATOR	1	
15	02112-05107	.SCREW	1	
16	15683-87J00	.HOSE, DRAIN	1	
17	09169-08042	WASHER	6	
18	09320-12072	CUSHION	3	
19	01550-08357	BOLT	1	
20	01550-08407	BOLT	2	
21	15660-96J20	HOSE, EVAPORATION	1	
22	18498-99EC0	.PROTECTOR, EVAP HOSE (L:760)	1	
23	09401-08412	.CLIP	2	
24	09352-50823-00B	.HOSE (5X8.2X2000)	1	L:2000->1000
25	09401-08412	CLIP	1	
26	09352-50823-600	HOSE (5X8.2X600)	1	L:600->45
27	09364-06010	UNION	1	
28	09403-13408	CLAMP	1	
29	09408-00008	CLIP (ID:20)	1	
30	09408-00078	CLAMP	1	

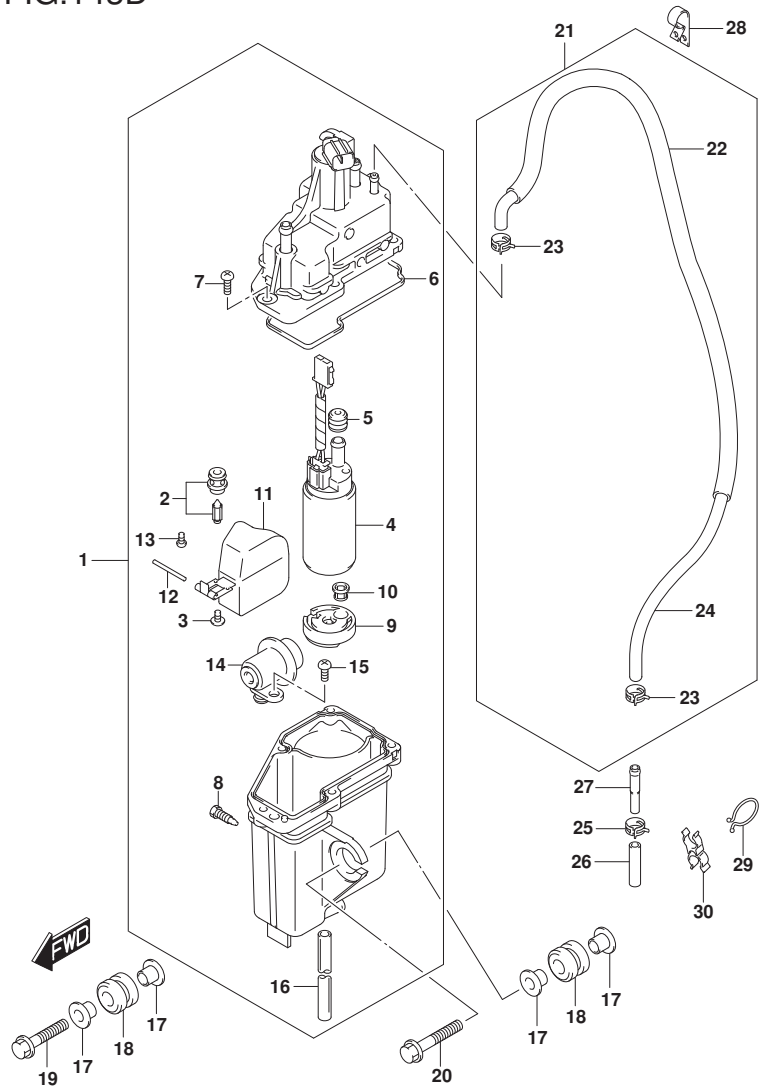


FIG.144A

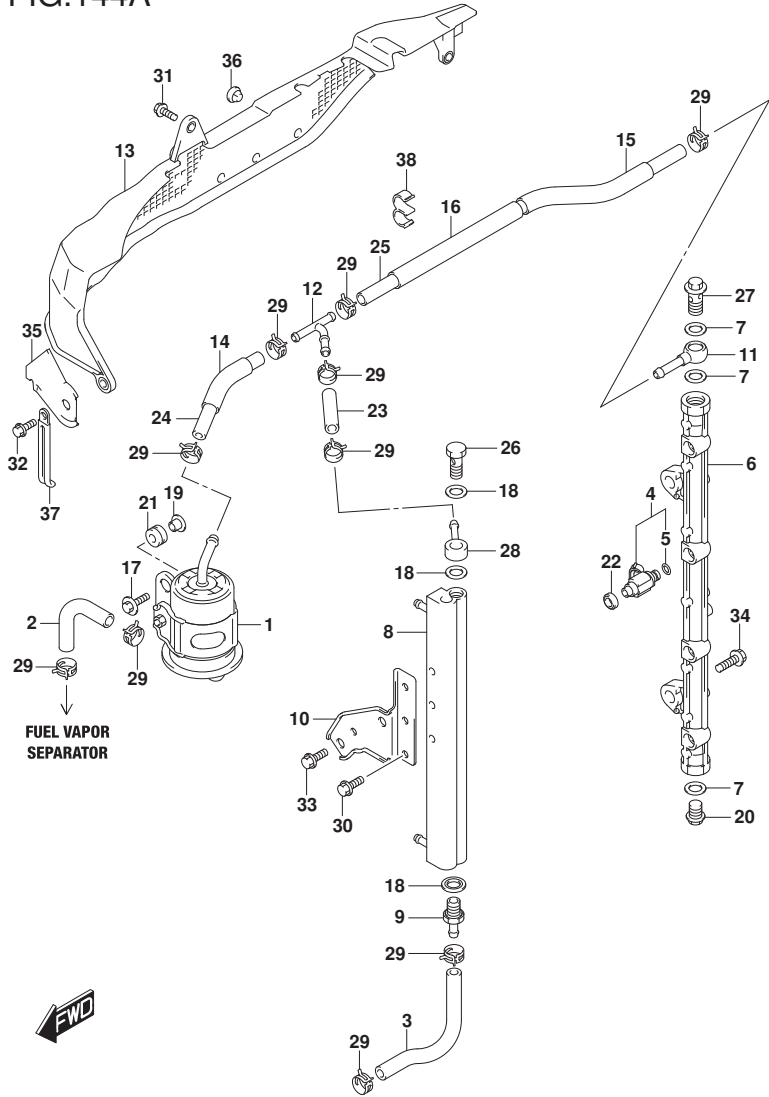


FIG.144A (1-C-5) FUEL INJECTOR (DF200AT E01)

REF NO.	PART NO.	DESCRIPTION	Q'TY	REMARKS
1	15440-96J01	FILTER, FUEL	1	
2	15681-87L00	HOSE (SEPARATOR TO FILTER)	1	
3	15681-96J11	HOSE (COOLER TO SEPARATOR)	1	
4	15710-96J00	INJECTOR ASSY, FUEL	4	
5	15717-16G00	.O RING	4	
6	15751-96J00	PIPE, DELIVERY	1	
7	15762-93J00	GASKET, DELIVERY PIPE	3	
8	15770-96J00	COOLER, FUEL	1	
9	15773-90J00	UNION, FUEL HOSE	1	
10	15790-96J00	BRACKET, FUEL COOLER	1	
11	15830-77EA0	UNION, DELIVERY PIPE	1	
12	15830-99E00	UNION, 3 WAY FUEL HOSE	1	
13	15851-96J01	GUARD, FUEL HOSE	1	
14	18498-99E20	PROTECTOR (15.4X18.4X450)	1	L:450->70
15	18498-93J00	PROTECTOR (15.4X18.4X340)	1	L:340->220
16	18498-99E20	PROTECTOR (15.4X18.4X450)	1	L:450->120
17	09116-06202	BOLT (6X25)	2	
18	09168-12013	GASKET (11.8X22X1.2)	3	
19	09169-06062	WASHER	2	
20	09247-14041	PLUG (14X14)	1	
21	09320-08501	CUSHION	2	
22	09320-08062	CUSHION	4	
23	09343-75001-600	HOSE (7.5X13.5X600)	1	L:600->50
24	09343-75001-600	HOSE (7.5X13.5X600)	1	L:600->120
25	09343-75001-600	HOSE (7.5X13.5X600)	1	L:600->430
26	09360-12008	UNION	1	
27	09360-14009	UNION	1	
28	09363-08004	UNION	1	
29	09401-11425	CLIP	10	
30	01550-06127	BOLT	3	
31	01550-06127	BOLT	1	
32	01550-06167	BOLT	2	
33	01550-08167	BOLT	2	
34	01550-08257	BOLT	2	

FIG.144A

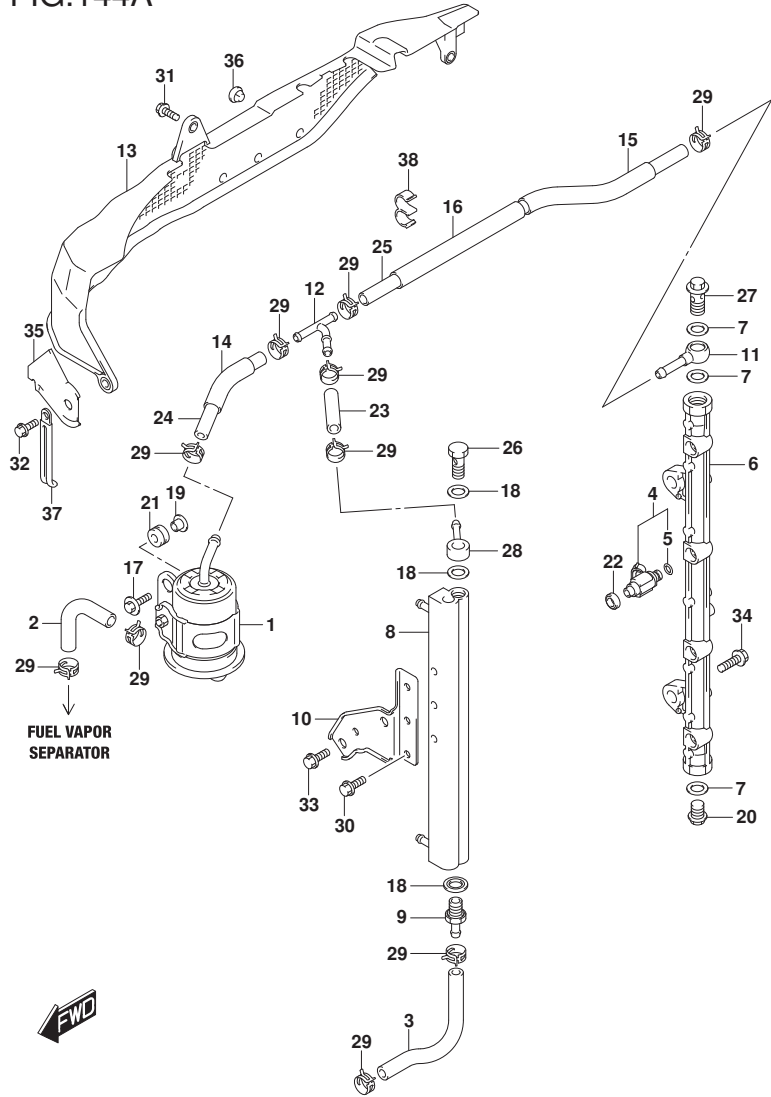
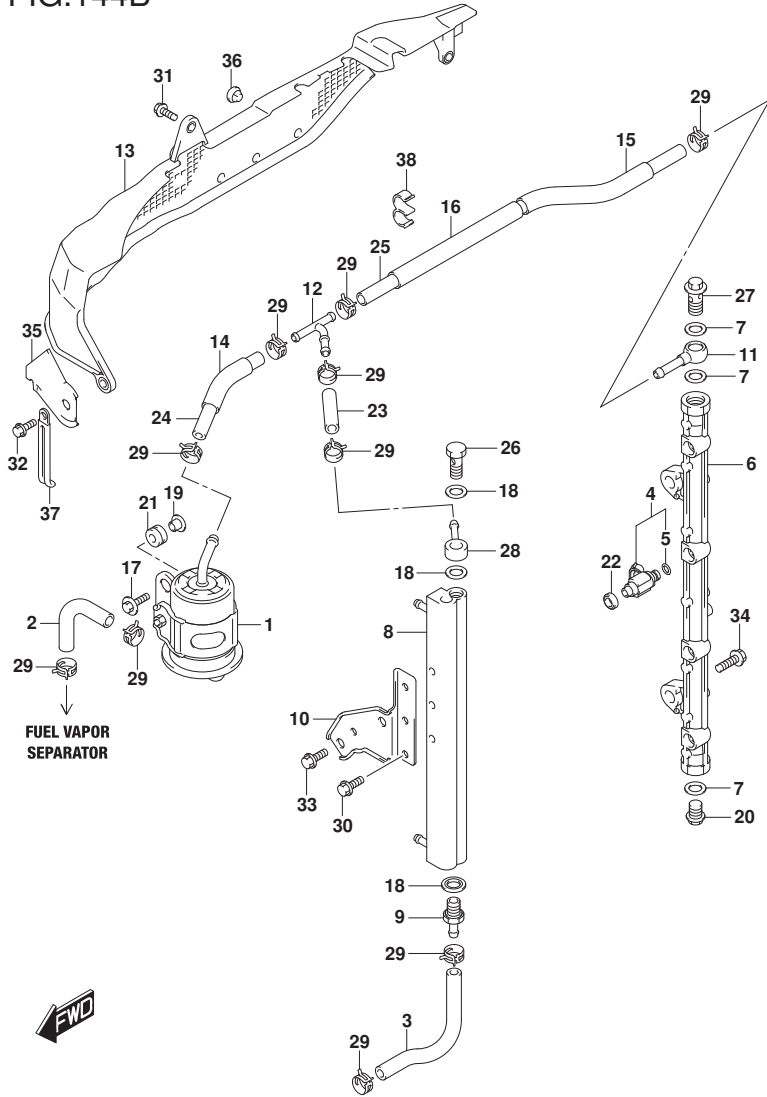


FIG.144A (1-C-6) FUEL INJECTOR (DF200AT E01)

REF NO.	PART NO.	DESCRIPTION	Q'TY	REMARKS
35	15852-96J00	GUIDE, FUEL HOSE GUARD	1	
36	09321-08005	CUSHION	3	
37	29404-93J20	CLAMP, FUEL HOSE GUARD	1	
38	09408-00320	CLAMP, FUEL HOSE	1	

FIG.144B



DF200A_E01_015_144B
FUEL INJECTOR

FIG.144B (1-C-7) FUEL INJECTOR (DF200AT E40)

REF NO.	PART NO.	DESCRIPTION	Q'TY	REMARKS
1	15440-96J11	FILTER, FUEL	1	
2	15681-87L00	HOSE (SEPARATOR TO FILTER)	1	
3	15681-96J11	HOSE (COOLER TO SEPARATOR)	1	
4	15710-96J00	INJECTOR ASSY, FUEL	4	
5	15717-16G00	.O RING	4	
6	15751-96J00	PIPE, DELIVERY	1	
7	15762-93J10	GASKET, DELIVERY PIPE	3	
8	15770-96J00	COOLER, FUEL	1	
9	15773-90J00	UNION, FUEL HOSE	1	
10	15790-96J00	BRACKET, FUEL COOLER	1	
11	15832-93J00	UNION, DELIVERY PIPE	1	
12	15830-99E00	UNION, 3 WAY FUEL HOSE	1	
13	15851-96J01	GUARD, FUEL HOSE	1	
14	18498-99E20	PROTECTOR (15.4X18.4X450)	1	L:450->70
15	18498-93J00	PROTECTOR (15.4X18.4X340)	1	L:340->220
16	18498-99E20	PROTECTOR (15.4X18.4X450)	1	L:450->120
17	09116-06202	BOLT (6X25)	2	
18	15762-90J00	GASKET	3	
19	09169-06062	WASHER	2	
20	09247-14042	PLUG (14X14)	1	
21	09320-08501	CUSHION	2	
22	09320-08062	CUSHION	4	
23	09343-75001-600	HOSE (7.5X13.5X600)	1	L:600->50
24	09343-75001-600	HOSE (7.5X13.5X600)	1	L:600->120
25	09343-75001-600	HOSE (7.5X13.5X600)	1	L:600->430
26	09360-12013	UNION	1	
27	09360-14014	UNION	1	
28	15830-90J00	UNION, FUEL COOLER	1	
29	09401-11425	CLIP	10	
30	01550-06127	BOLT	3	
31	01550-06127	BOLT	1	
32	01550-06167	BOLT	2	
33	01550-08167	BOLT	2	
34	01550-08257	BOLT	2	

DF200A_E01_015

FIG.144B

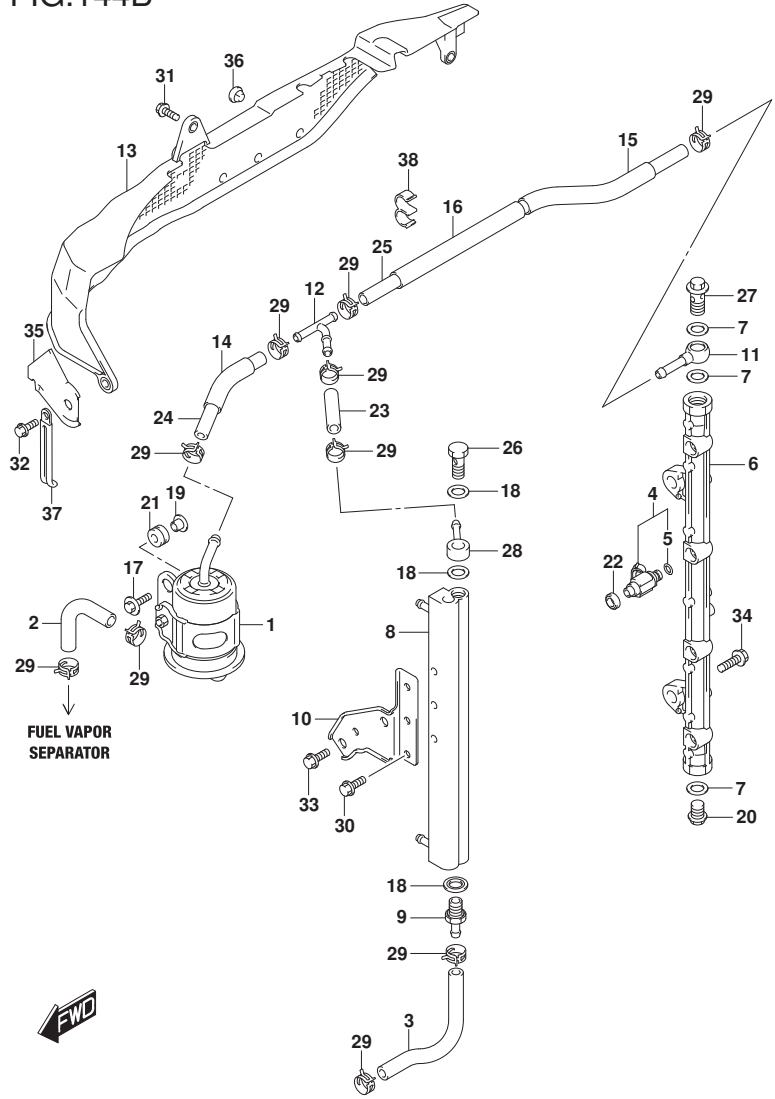


FIG.144B (1-C-8) FUEL INJECTOR (DF200AT E40)

REF NO.	PART NO.	DESCRIPTION	Q'TY	REMARKS
35	15852-96J00	GUIDE, FUEL HOSE GUARD	1	
36	09321-08005	CUSHION	3	
37	29404-93J20	CLAMP, FUEL HOSE GUARD	1	
38	09408-00320	CLAMP, FUEL HOSE	1	

FIG.144C

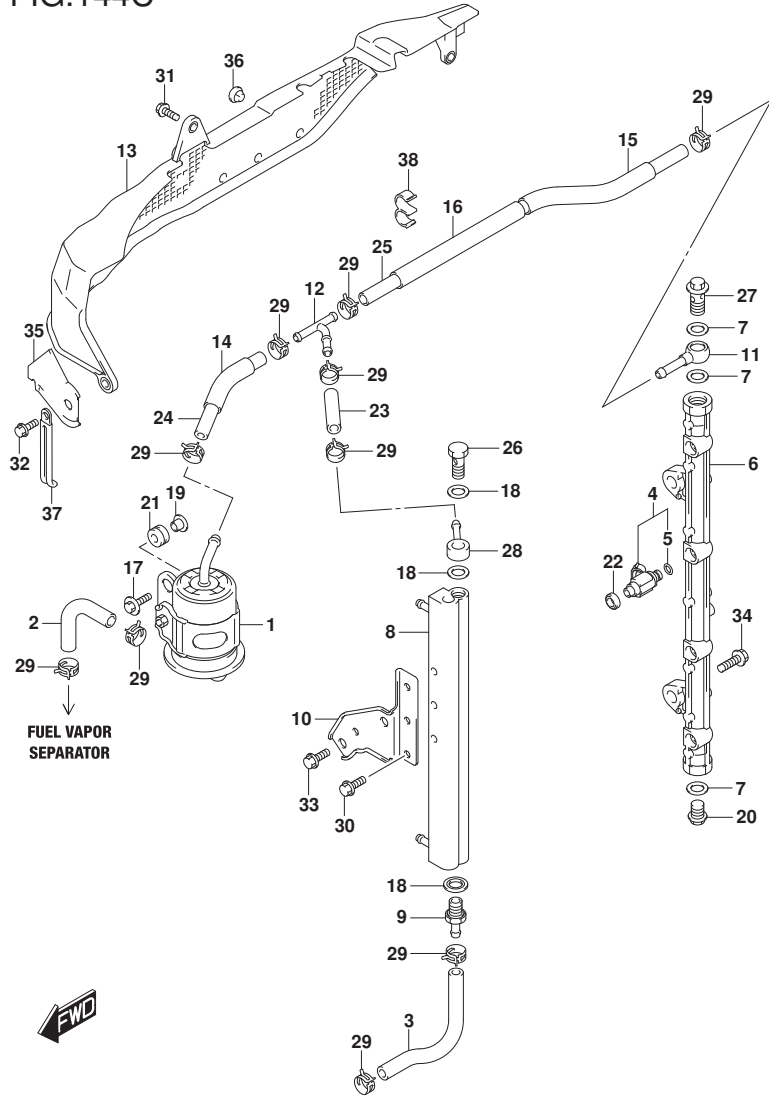


FIG.144C (1-C-9) FUEL INJECTOR (DF200AZ E01)

REF NO.	PART NO.	DESCRIPTION	Q'TY	REMARKS
1	15440-96J01	FILTER, FUEL	1	
2	15681-87L00	HOSE (SEPARATOR TO FILTER)	1	
3	15681-96J11	HOSE (COOLER TO SEPARATOR)	1	
4	15710-96J00	INJECTOR ASSY, FUEL	4	
5	15717-16G00	.O RING	4	
6	15751-96J00	PIPE, DELIVERY	1	
7	15762-93J00	GASKET, DELIVERY PIPE	3	
8	15770-96J00	COOLER, FUEL	1	
9	15773-90J00	UNION, FUEL HOSE	1	
10	15790-96J00	BRACKET, FUEL COOLER	1	
11	15830-77EA0	UNION, DELIVERY PIPE	1	
12	15830-99E00	UNION, 3 WAY FUEL HOSE	1	
13	15851-96J01	GUARD, FUEL HOSE	1	
14	18498-99E20	PROTECTOR (15.4X18.4X450)	1	L:450->70
15	18498-93J00	PROTECTOR (15.4X18.4X340)	1	L:340->220
16	18498-99E20	PROTECTOR (15.4X18.4X450)	1	L:450->120
17	09116-06202	BOLT (6X25)	2	
18	09168-12013	GASKET (11.8X22X1.2)	3	
19	09169-06062	WASHER	2	
20	09247-14041	PLUG (14X14)	1	
21	09320-08501	CUSHION	2	
22	09320-08062	CUSHION	4	
23	09343-75001-600	HOSE (7.5X13.5X600)	1	L:600->50
24	09343-75001-600	HOSE (7.5X13.5X600)	1	L:600->120
25	09343-75001-600	HOSE (7.5X13.5X600)	1	L:600->430
26	09360-12008	UNION	1	
27	09360-14009	UNION	1	
28	09363-08004	UNION	1	
29	09401-11425	CLIP	10	
30	01550-06127	BOLT	3	
31	01550-06127	BOLT	1	
32	01550-06167	BOLT	2	
33	01550-08167	BOLT	2	
34	01550-08257	BOLT	2	

FIG.144C

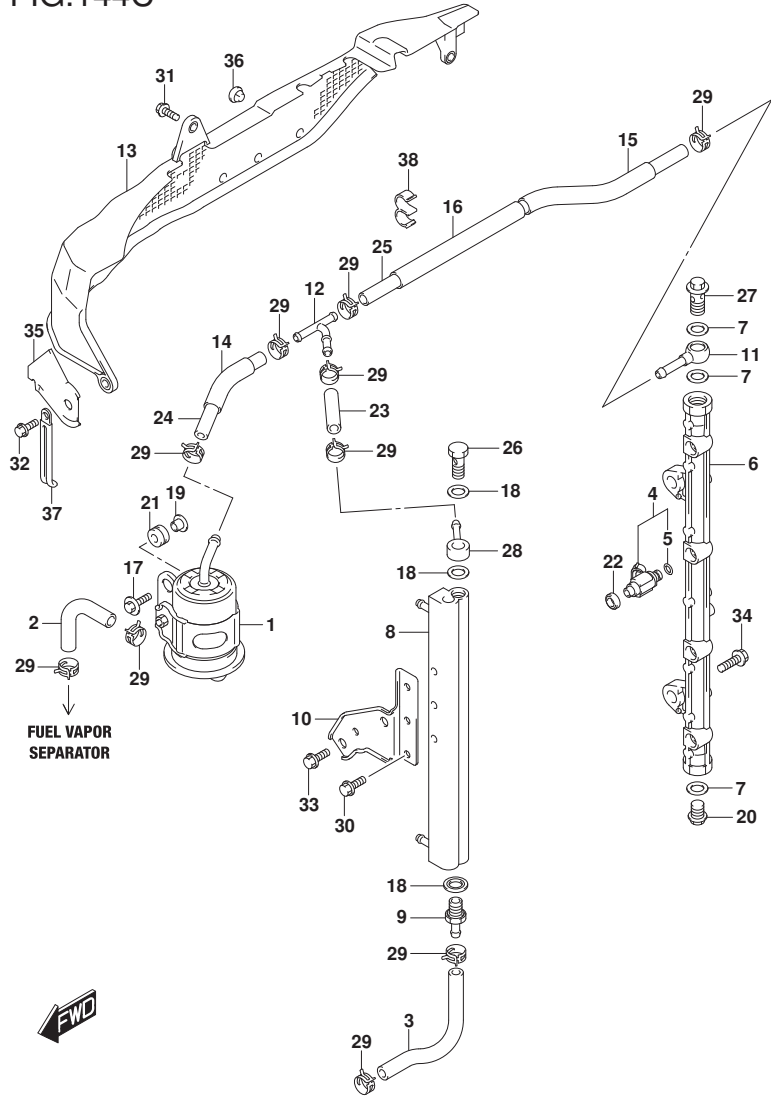


FIG.144C (1-C-10) FUEL INJECTOR (DF200AZ E01)

REF NO.	PART NO.	DESCRIPTION	Q'TY	REMARKS
35	15852-96J00	GUIDE, FUEL HOSE GUARD	1	
36	09321-08005	CUSHION	3	
37	29404-93J20	CLAMP, FUEL HOSE GUARD	1	
38	09408-00320	CLAMP, FUEL HOSE	1	

FIG.144D

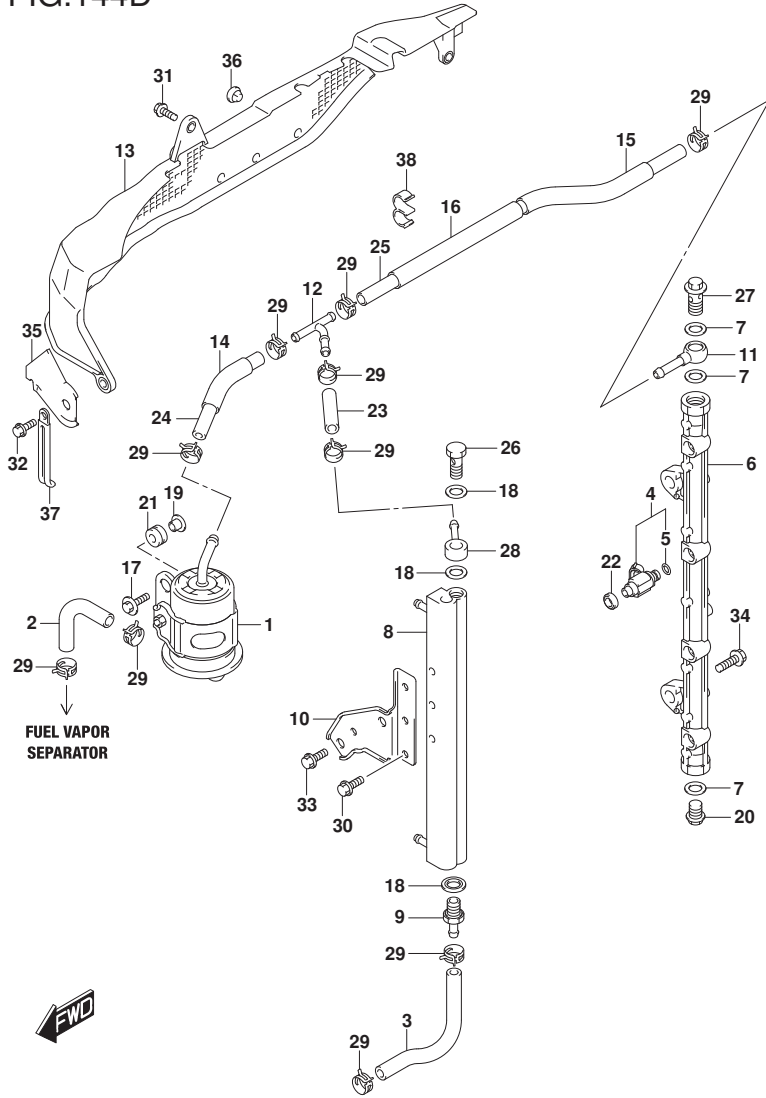


FIG.144D (1-C-11) FUEL INJECTOR (DF200AZ E40)

REF NO.	PART NO.	DESCRIPTION	Q'TY	REMARKS
1	15440-96J11	FILTER, FUEL	1	
2	15681-87L00	HOSE (SEPARATOR TO FILTER)	1	
3	15681-96J11	HOSE (COOLER TO SEPARATOR)	1	
4	15710-96J00	INJECTOR ASSY, FUEL	4	
5	15717-16G00	.O RING	4	
6	15751-96J00	PIPE, DELIVERY	1	
7	15762-93J10	GASKET, DELIVERY PIPE	3	
8	15770-96J00	COOLER, FUEL	1	
9	15773-90J00	UNION, FUEL HOSE	1	
10	15790-96J00	BRACKET, FUEL COOLER	1	
11	15832-93J00	UNION, DELIVERY PIPE	1	
12	15830-99E00	UNION, 3 WAY FUEL HOSE	1	
13	15851-96J01	GUARD, FUEL HOSE	1	
14	18498-99E20	PROTECTOR (15.4X18.4X450)	1	L:450->70
15	18498-93J00	PROTECTOR (15.4X18.4X340)	1	L:340->220
16	18498-99E20	PROTECTOR (15.4X18.4X450)	1	L:450->120
17	09116-06202	BOLT (6X25)	2	
18	15762-90J00	GASKET	3	
19	09169-06062	WASHER	2	
20	09247-14042	PLUG (14X14)	1	
21	09320-08501	CUSHION	2	
22	09320-08062	CUSHION	4	
23	09343-75001-600	HOSE (7.5X13.5X600)	1	L:600->50
24	09343-75001-600	HOSE (7.5X13.5X600)	1	L:600->120
25	09343-75001-600	HOSE (7.5X13.5X600)	1	L:600->430
26	09360-12013	UNION	1	
27	09360-14014	UNION	1	
28	15830-90J00	UNION, FUEL COOLER	1	
29	09401-11425	CLIP	10	
30	01550-06127	BOLT	3	
31	01550-06127	BOLT	1	
32	01550-06167	BOLT	2	
33	01550-08167	BOLT	2	
34	01550-08257	BOLT	2	

FIG.144D

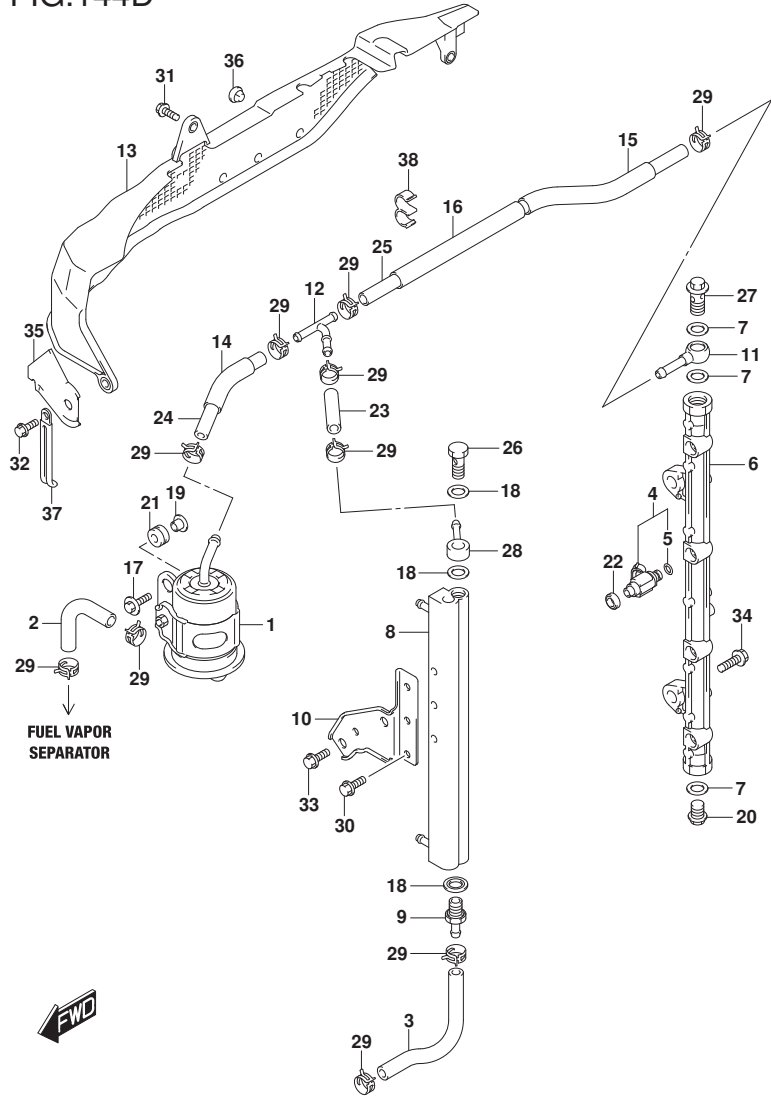


FIG.144D (1-C-12) FUEL INJECTOR (DF200AZ E40)

REF NO.	PART NO.	DESCRIPTION	Q'TY	REMARKS
35	15852-96J00	GUIDE, FUEL HOSE GUARD	1	
36	09321-08005	CUSHION	3	
37	29404-93J20	CLAMP, FUEL HOSE GUARD	1	
38	09408-00320	CLAMP, FUEL HOSE	1	

FIG.146A

FIG.146A (1-C-13) FUEL PUMP (DF200AT E01)

REF NO.	PART NO.	DESCRIPTION	Q'TY	REMARKS
1	15100-96J0V	PUMP ASSY, FUEL	1	
2	15190-96L00	HOSE, FUEL (CONN TO FILTER)	1	
3	15192-96L00	HOSE, FUEL (FILTER TO PUMP)	1	
4	15193-96J11	HOSE, FUEL (PUMP TO 2WAY)	1	
5	15194-96J11	HOSE, FUEL (2WAY TO SEPARATOR)	1	
6	15410-92J00	FILTER, FUEL	1	
7	15411-92J00	.CAP, FUEL FILTER	1	
8	15412-92J00	.FILTER, FUEL	1	
9	15413-92J00	.CASE, FUEL FILTER	1	
10	15415-92J00	.SEAL, FUEL FILTER	1	
11	15421-96L00	BRACKET, FUEL FILTER	1	
12	15831-96J00	UNION, 2 WAY FUEL HOSE	1	
13	18498-96L00	PROTECTOR (13.5X16.5X240)	1	
14	18498-96J20	PROTECTOR (13.5X16.5X370)	1	
15	18498-99E10	PROTECTOR (15.4X18.4X610)	1	L:610->280
16	09280-33004	O RING (D:3.1,ID:32.7)	1	
17	09401-11423	CLIP	5	
18	09401-13424	CLIP	2	
19	09408-00105	CLAMP	2	
20	01550-06167	BOLT	2	
21	09103-06211	BOLT (6X25)	2	
22	09408-00198	CLAMP	2	
23	08316-10087	NUT	1	

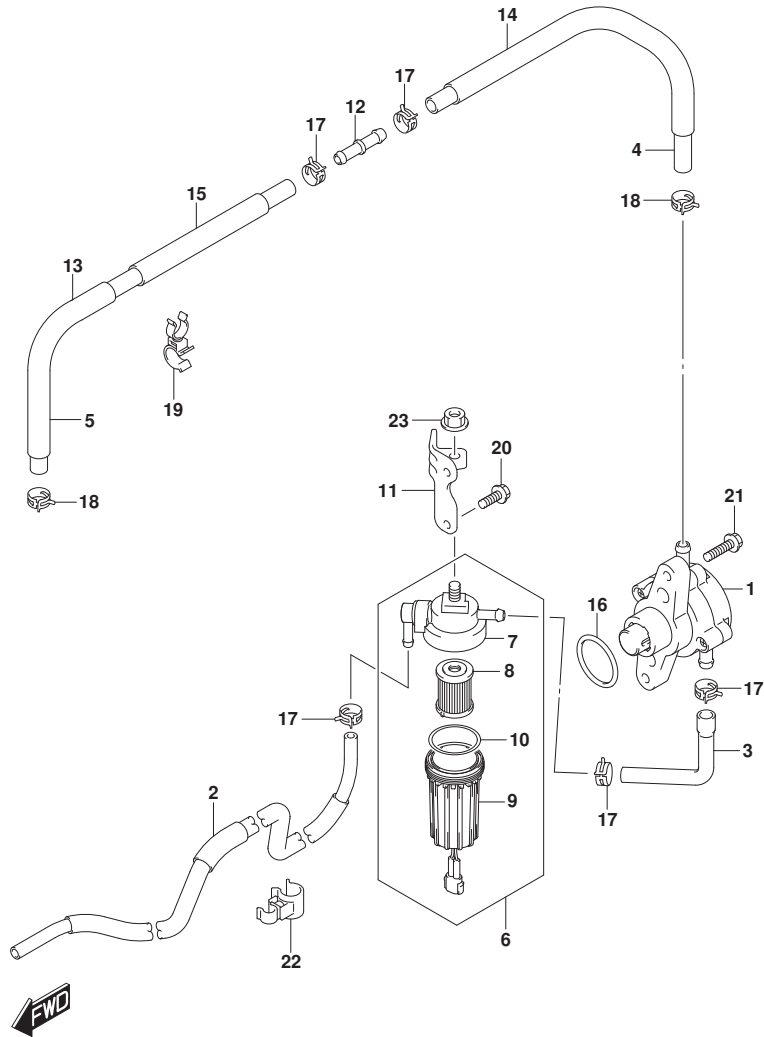
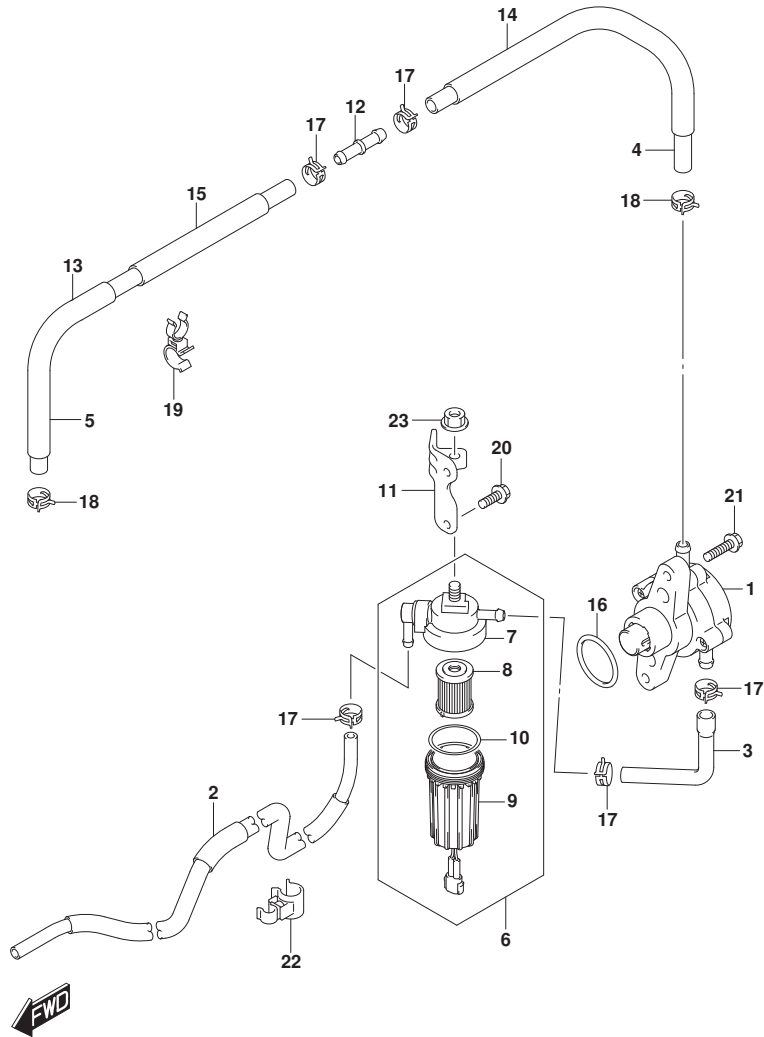


FIG.146B

FIG.146B (1-C-14) FUEL PUMP (DF200AT E40)



REF NO.	PART NO.	DESCRIPTION	Q'TY	REMARKS
1	15100-96J10	PUMP ASSY, FUEL	1	
2	15190-96L00	HOSE, FUEL (CONN TO FILTER)	1	
3	15192-96L00	HOSE, FUEL (FILTER TO PUMP)	1	
4	15193-96J11	HOSE, FUEL (PUMP TO 2WAY)	1	
5	15194-96J11	HOSE, FUEL (2WAY TO SEPARATOR)	1	
6	15410-92J00	FILTER, FUEL	1	
7	15411-92J00	.CAP, FUEL FILTER	1	
8	15412-92J00	.FILTER, FUEL	1	
9	15413-92J00	.CASE, FUEL FILTER	1	
10	15415-92J00	.SEAL, FUEL FILTER	1	
11	15421-96L00	BRACKET, FUEL FILTER	1	
12	15831-96J00	UNION, 2 WAY FUEL HOSE	1	
13	18498-96L00	PROTECTOR (13.5X16.5X240)	1	
14	18498-96J20	PROTECTOR (13.5X16.5X370)	1	
15	18498-99E10	PROTECTOR (15.4X18.4X610)	1	L:610->280
16	09280-33004	O RING (D:3.1,ID:32.7)	1	
17	09401-11423	CLIP	5	
18	09401-13424	CLIP	2	
19	09408-00105	CLAMP	2	
20	01550-06167	BOLT	2	
21	09103-06211	BOLT (6X25)	2	
22	09408-00198	CLAMP	2	
23	08316-10087	NUT	1	

FIG.146C

FIG.146C (1-C-15) FUEL PUMP (DF200AZ E01)

REF NO.	PART NO.	DESCRIPTION	Q'TY	REMARKS
1	15100-96J0V	PUMP ASSY, FUEL	1	
2	15190-96L00	HOSE, FUEL (CONN TO FILTER)	1	
3	15192-96L00	HOSE, FUEL (FILTER TO PUMP)	1	
4	15193-96J11	HOSE, FUEL (PUMP TO 2WAY)	1	
5	15194-96J11	HOSE, FUEL (2WAY TO SEPARATOR)	1	
6	15410-92J00	FILTER, FUEL	1	
7	15411-92J00	.CAP, FUEL FILTER	1	
8	15412-92J00	.FILTER, FUEL	1	
9	15413-92J00	.CASE, FUEL FILTER	1	
10	15415-92J00	.SEAL, FUEL FILTER	1	
11	15421-96L00	BRACKET, FUEL FILTER	1	
12	15831-96J00	UNION, 2 WAY FUEL HOSE	1	
13	18498-96L00	PROTECTOR (13.5X16.5X240)	1	
14	18498-96J20	PROTECTOR (13.5X16.5X370)	1	
15	18498-99E10	PROTECTOR (15.4X18.4X610)	1	L:610->280
16	09280-33004	O RING (D:3.1,ID:32.7)	1	
17	09401-11423	CLIP	5	
18	09401-13424	CLIP	2	
19	09408-00105	CLAMP	2	
20	01550-06167	BOLT	2	
21	09103-06211	BOLT (6X25)	2	
22	09408-00198	CLAMP	2	
23	08316-10087	NUT	1	

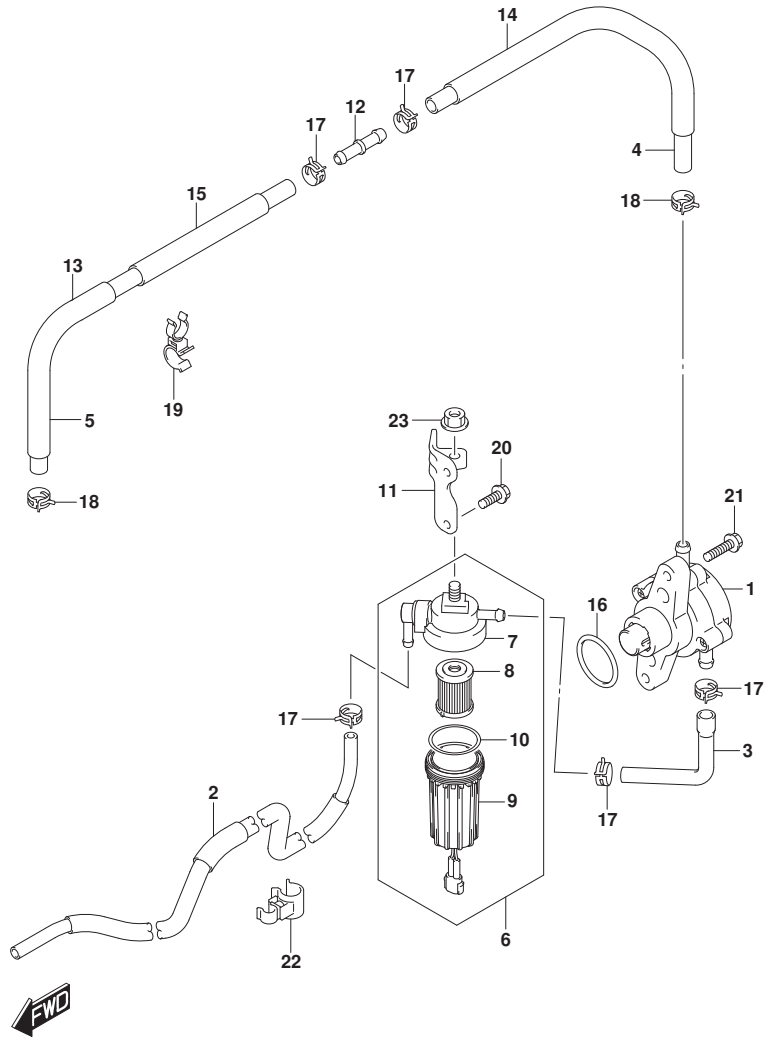


FIG.146D

FIG.146D (1-D-2) FUEL PUMP (DF200AZ E40)

REF NO.	PART NO.	DESCRIPTION	Q'TY	REMARKS
1	15100-96J10	PUMP ASSY, FUEL	1	
2	15190-96L00	HOSE, FUEL (CONN TO FILTER)	1	
3	15192-96L00	HOSE, FUEL (FILTER TO PUMP)	1	
4	15193-96J11	HOSE, FUEL (PUMP TO 2WAY)	1	
5	15194-96J11	HOSE, FUEL (2WAY TO SEPARATOR)	1	
6	15410-92J00	FILTER, FUEL	1	
7	15411-92J00	.CAP, FUEL FILTER	1	
8	15412-92J00	.FILTER, FUEL	1	
9	15413-92J00	.CASE, FUEL FILTER	1	
10	15415-92J00	.SEAL, FUEL FILTER	1	
11	15421-96L00	BRACKET, FUEL FILTER	1	
12	15831-96J00	UNION, 2 WAY FUEL HOSE	1	
13	18498-96L00	PROTECTOR (13.5X16.5X240)	1	
14	18498-96J20	PROTECTOR (13.5X16.5X370)	1	
15	18498-99E10	PROTECTOR (15.4X18.4X610)	1	L:610->280
16	09280-33004	O RING (D:3.1,ID:32.7)	1	
17	09401-11423	CLIP	5	
18	09401-13424	CLIP	2	
19	09408-00105	CLAMP	2	
20	01550-06167	BOLT	2	
21	09103-06211	BOLT (6X25)	2	
22	09408-00198	CLAMP	2	
23	08316-10087	NUT	1	

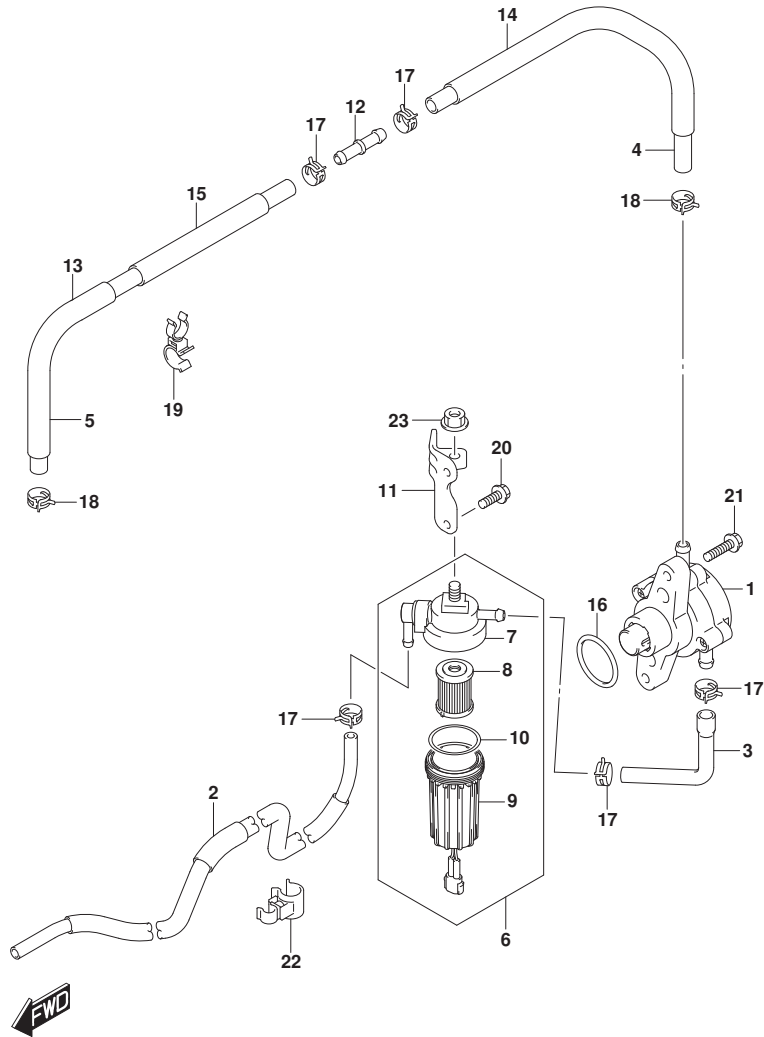


FIG.160A

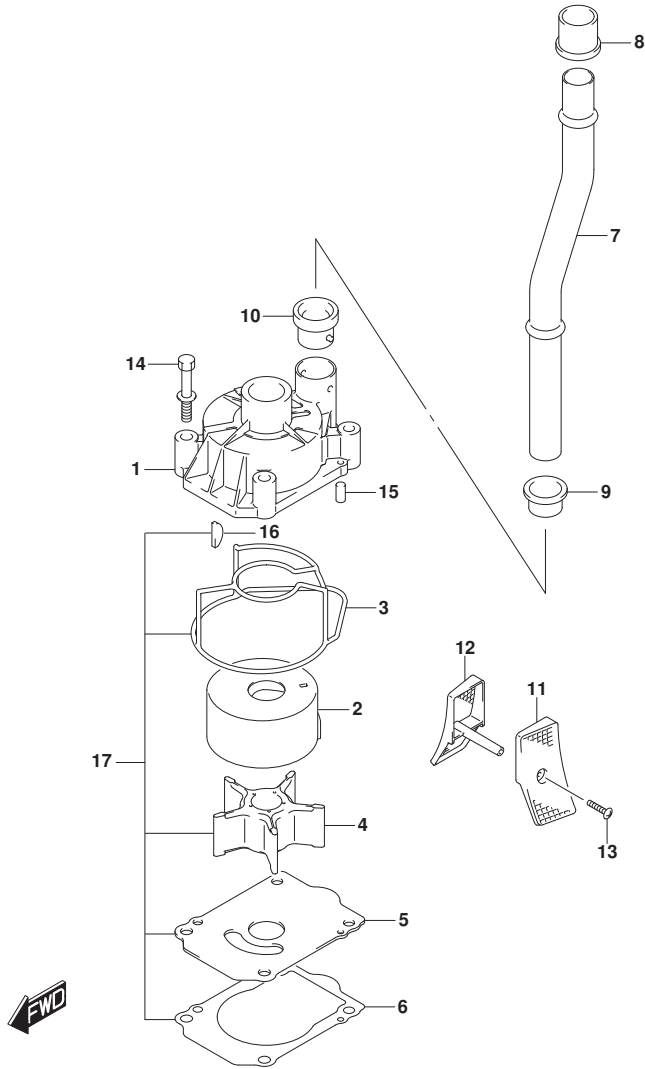


FIG.160A (1-D-3) WATER PUMP (DF200AT E01)

REF NO.	PART NO.	DESCRIPTION	Q'TY	REMARKS
1	17411-96J01	CASE, WATER PUMP	1	
2	17413-96J01	SLEEVE, PUMP CASE	1	
3	17416-96J00	SEALING, PUMP CASE	1	
4	17461-90J01	IMPELLER, WATER PUMP	1	
5	17471-93J02	PANEL, PUMP CASE UNDER	1	
6	17472-93J00	GASKET, PUMP CASE PANEL	1	
7-1	17560-96J01	TUBE, WATER (L)	1	W/TRANSOM(L)
7-2	17561-96J11	TUBE, WATER (X)	1	W/TRANSOM(X)
8	17562-93J00	BUSH, WATER TUBE UPPER	1	
9	17563-93J00	BUSH, WATER TUBE LOWER	1	
10	17564-93J00	BUSH, WATER PUMP CASE	1	
11-1	17631-93J20	FILTER, WATER PORT SIDE	1	
11-2	17631-93J30	FILTER, WATER PORT SIDE	1	OPT
12-1	17632-93J20	FILTER, WATER STBD SIDE	1	
12-2	17632-93J30	FILTER, WATER STBD SIDE	1	OPT
13-1	09132-04034	SCREW (4X18)	1	W/TRANSOM(L)
13-2	09132-04034	SCREW (4X18)	2	W/TRANSOM(X)
14	09116-08131	BOLT (8X45)	4	
15	09202-06031	PIN (6X12)	2	
16	09420-05009	KEY	1	
17	17400-96J02	WATER PUMP REPAIR KIT	1	OPT

FIG.160B

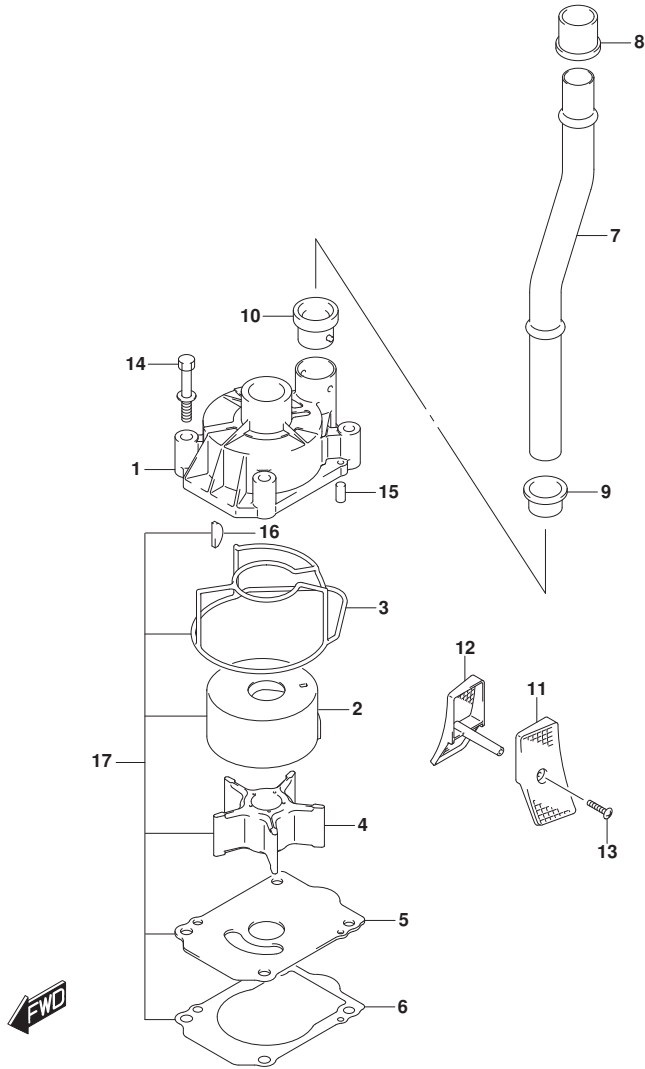


FIG.160B (1-D-4) WATER PUMP (DF200AT E40)

REF NO.	PART NO.	DESCRIPTION	Q'TY	REMARKS
1	17411-96J01	CASE, WATER PUMP	1	
2	17413-96J11	SLEEVE, PUMP CASE	1	
3	17416-96J00	SEALING, PUMP CASE	1	
4	17461-90J01	IMPELLER, WATER PUMP	1	
5	17471-93J12	PANEL, PUMP CASE UNDER	1	
6	17472-93J00	GASKET, PUMP CASE PANEL	1	
7-1	17560-96J01	TUBE, WATER (L)	1	W/TRANSOM(L)
7-2	17561-96J11	TUBE, WATER (X)	1	W/TRANSOM(X)
8	17562-93J00	BUSH, WATER TUBE UPPER	1	
9	17563-93J00	BUSH, WATER TUBE LOWER	1	
10	17564-93J00	BUSH, WATER PUMP CASE	1	
11-1	17631-93J20	FILTER, WATER PORT SIDE	1	
11-2	17631-93J30	FILTER, WATER PORT SIDE	1	OPT
12-1	17632-93J20	FILTER, WATER STBD SIDE	1	
12-2	17632-93J30	FILTER, WATER STBD SIDE	1	OPT
13-1	09132-04034	SCREW (4X18)	1	W/TRANSOM(L)
13-2	09132-04034	SCREW (4X18)	2	W/TRANSOM(X)
14	09116-08131	BOLT (8X45)	4	
15	09202-06031	PIN (6X12)	2	
16	09420-05009	KEY	1	
17	17400-96J20	WATER PUMP REPAIR KIT	1	OPT

FIG.160C

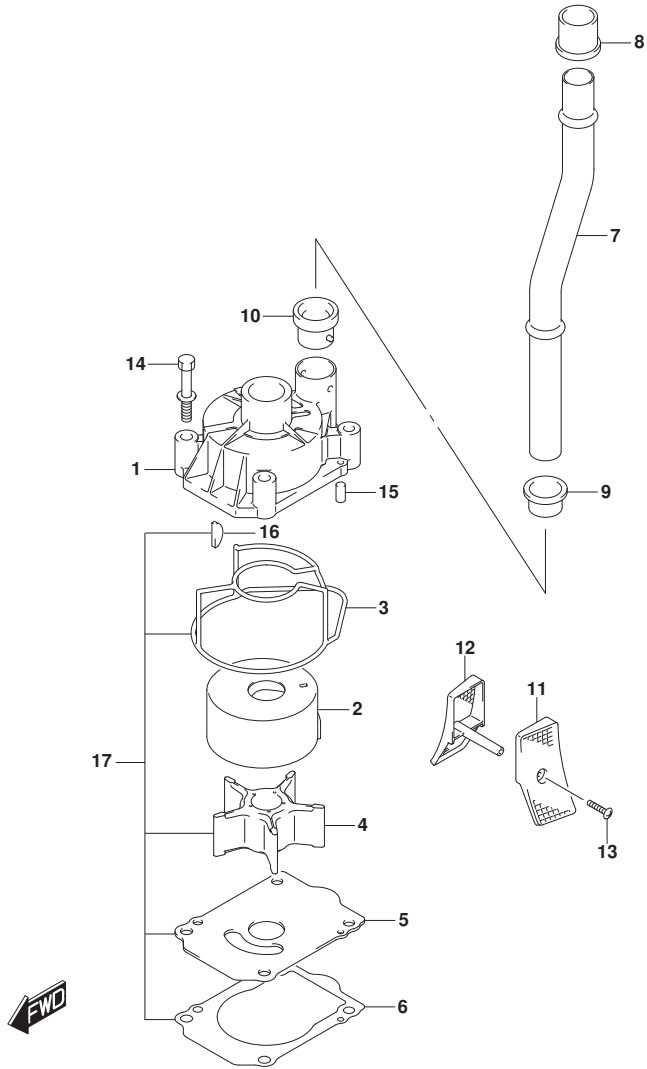


FIG.160C (1-D-5) WATER PUMP (DF200AZ E01)

REF NO.	PART NO.	DESCRIPTION	Q'TY	REMARKS
1	17411-96J01	CASE, WATER PUMP	1	
2	17413-96J01	SLEEVE, PUMP CASE	1	
3	17416-96J00	SEALING, PUMP CASE	1	
4	17461-90J01	IMPELLER, WATER PUMP	1	
5	17471-93J02	PANEL, PUMP CASE UNDER	1	
6	17472-93J00	GASKET, PUMP CASE PANEL	1	
7	17561-96J11	TUBE, WATER (X)	1	
8	17562-93J00	BUSH, WATER TUBE UPPER	1	
9	17563-93J00	BUSH, WATER TUBE LOWER	1	
10	17564-93J00	BUSH, WATER PUMP CASE	1	
11-1	17631-93J20	FILTER, WATER PORT SIDE	1	
11-2	17631-93J30	FILTER, WATER PORT SIDE	1	OPT
12-1	17632-93J20	FILTER, WATER STBD SIDE	1	
12-2	17632-93J30	FILTER, WATER STBD SIDE	1	OPT
13	09132-04034	SCREW (4X18)	2	
14	09116-08131	BOLT (8X45)	4	
15	09202-06031	PIN (6X12)	2	
16	09420-05009	KEY	1	
17	17400-96J02	WATER PUMP REPAIR KIT	1	OPT

FIG.160D

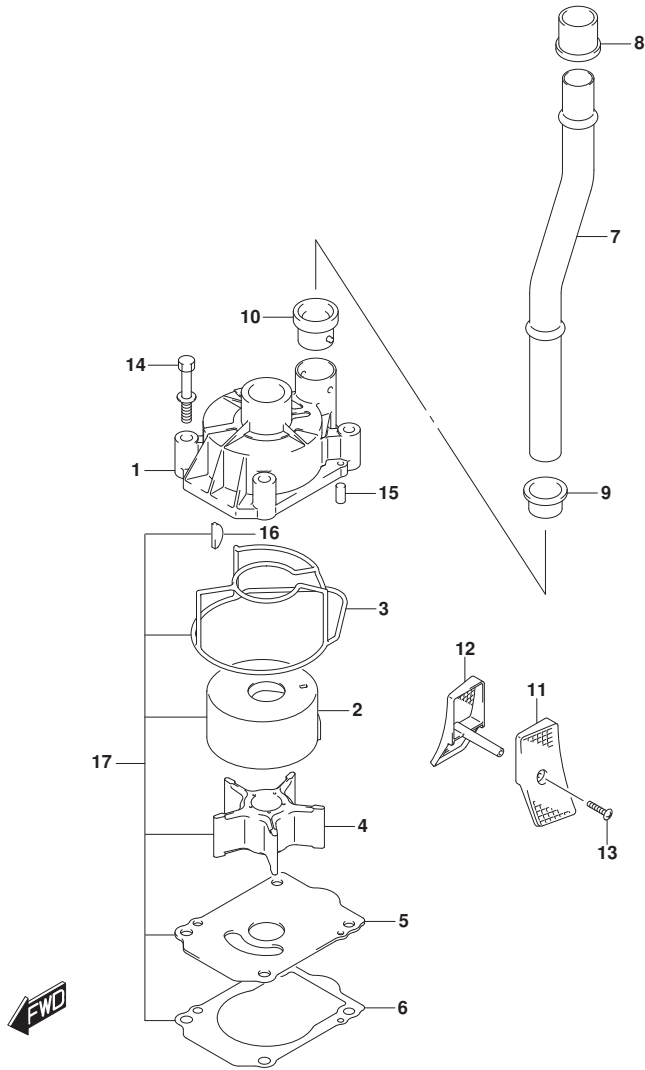


FIG.160D (1-D-6) WATER PUMP (DF200AZ E40)

REF NO.	PART NO.	DESCRIPTION	Q'TY	REMARKS
1	17411-96J01	CASE, WATER PUMP	1	
2	17413-96J11	SLEEVE, PUMP CASE	1	
3	17416-96J00	SEALING, PUMP CASE	1	
4	17461-90J01	IMPELLER, WATER PUMP	1	
5	17471-93J12	PANEL, PUMP CASE UNDER	1	
6	17472-93J00	GASKET, PUMP CASE PANEL	1	
7	17561-96J11	TUBE, WATER (X)	1	
8	17562-93J00	BUSH, WATER TUBE UPPER	1	
9	17563-93J00	BUSH, WATER TUBE LOWER	1	
10	17564-93J00	BUSH, WATER PUMP CASE	1	
11-1	17631-93J20	FILTER, WATER PORT SIDE	1	
11-2	17631-93J30	FILTER, WATER PORT SIDE	1	OPT
12-1	17632-93J20	FILTER, WATER STBD SIDE	1	
12-2	17632-93J30	FILTER, WATER STBD SIDE	1	OPT
13	09132-04034	SCREW (4X18)	2	
14	09116-08131	BOLT (8X45)	4	
15	09202-06031	PIN (6X12)	2	
16	09420-05009	KEY	1	
17	17400-96J20	WATER PUMP REPAIR KIT	1	OPT

FIG.162A

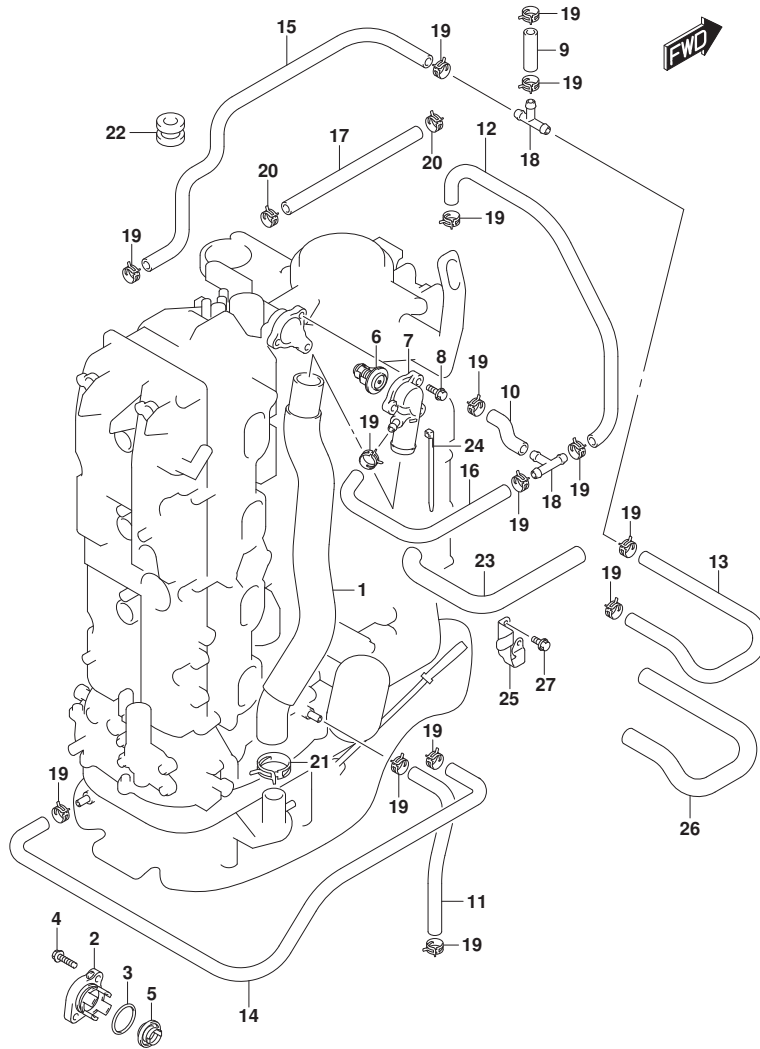


FIG.162A (1-D-7) THERMOSTAT

REF NO.	PART NO.	DESCRIPTION	Q'TY	REMARKS
1	11196-96L00	HOSE, WATER RETURN	1	
2-1	17611-90J00-0EP	COVER, WATER PRESS VALVE (BLACK)	1	
2-2	17611-90J00-Y5S	COVER, WATER PRESS VALVE (WHITE)	1	
3	09280-26006	O RING (D:3.1,ID:26.4)	1	
4	09116-06121	BOLT (6X25)	2	
5	17660-90J00	VALVE, WATER PRESSURE	1	
6-1	17670-90J20	THERMOSTAT (50C)	1	
6-2	17670-90J10	THERMOSTAT (71C)	1	OPT
7	17680-96J00	COVER, THERMOSTAT	1	
8	01550-06257	BOLT	3	
9	09352-50903-600	HOSE (5X9X600)	1	L:600->40
10	09352-50903-600	HOSE (5X9X600)	1	L:600->60
11	09352-50903-600	HOSE (5X9X600)	1	L:600->220
12	09352-50903-600	HOSE (5X9X600)	1	L:600->240
13	09352-50903-600	HOSE (5X9X600)	1	L:600->380
14	09352-50903-600	HOSE (5X9X600)	1	L:600->540
15	09352-50903-600	HOSE (5X9X600)	1	
16	09352-50903-600	HOSE (5X9X600)	1	L:600->490
17	09352-90133-600	HOSE (9X13X600)	1	L:600->340
18	09367-06002	JOINT, 3 WAY	2	
19	09401-08413	CLIP	16	
20	09401-13425	CLIP	2	
21	09401-31407	CLIP	1	
22	09320-09039	CUSHION	1	
23	18498-87JD0	PROTECTOR, HOSE	1	
24	09407-25402	CLAMP (L:250)	1	
25	11198-96L00	BRACKET, WATER RETURN	1	
26	18498-87JC0	PROTECTOR (L:450)	1	L:450->300
27	01550-06127	BOLT	2	

FIG.164A

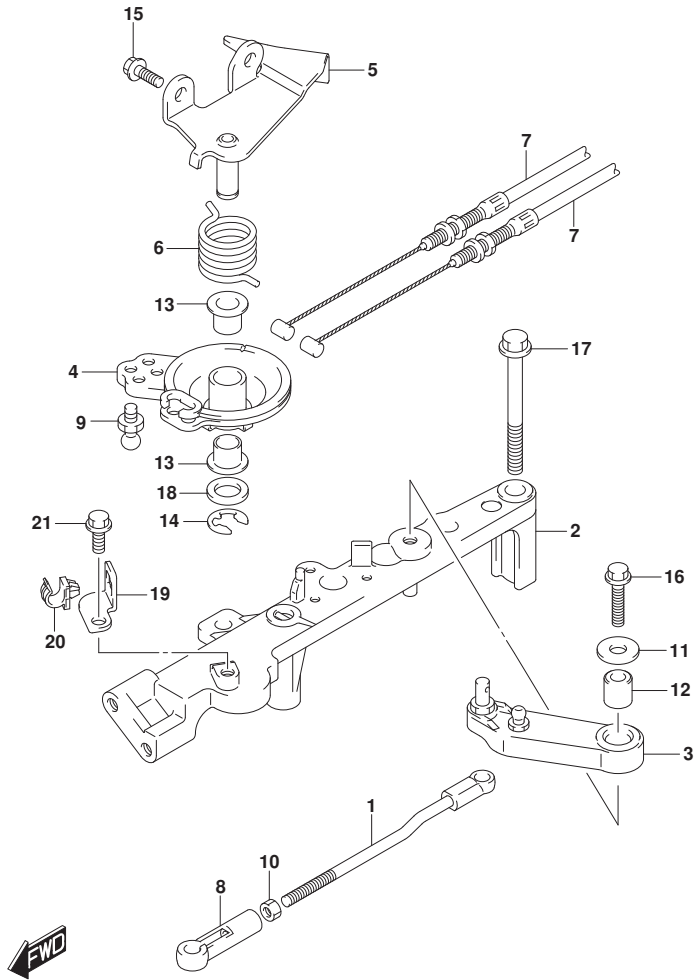


FIG.164A (1-D-8) THROTTLE ROD

REF NO.	PART NO.	DESCRIPTION	Q'TY	REMARKS
1	13510-96J00	ROD, THROTTLE NO.1	1	
2	19115-96J00	HOLDER, THROTTLE LEVER	1	
3	19121-93J02	LEVER, THROTTLE NO.1	1	
4	19148-96J00	DRUM, THROTTLE	1	
5	19184-96J00	BRACKET, THROTTLE CABLE	1	
6	19185-96J01	SPRING, THROTTLE LEVER	1	
7	63610-96J00	CABLE, THROTTLE	2	
8	67463-95200	CONNECTOR, THROTTLE ROD	1	
9	09119-06047	PIVOT	1	
10	09140-05005	NUT	1	
11	09160-06066	WASHER (6.5X20X1.6)	1	
12	09180-06230	SPACER (6.2X12.6X12.5)	1	
13	09306-10001	BUSH	2	
14	09383-08005	E RING	1	
15	01550-06167	BOLT	2	
16	01550-06257	BOLT	1	
17	01550-08657	BOLT	2	
18	08322-01107	WASHER	1	
19	15198-96J00	BRACKET, FUEL HOSE CLAMP	1	
20	09403-11314	CLAMP	1	
21	01550-06127	BOLT	1	

FIG.175A

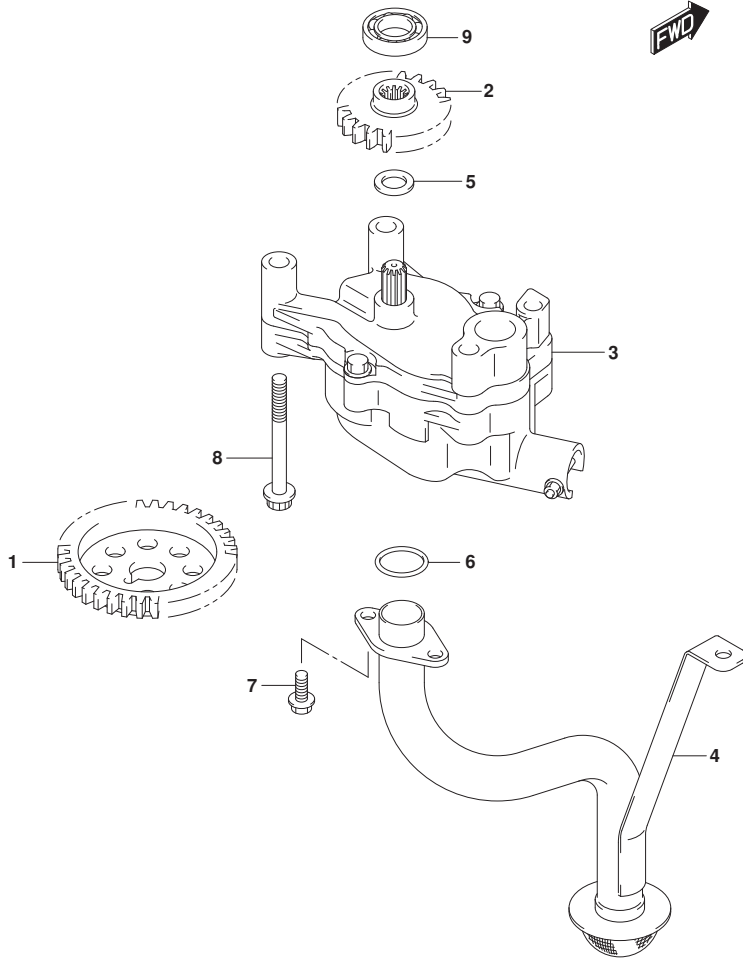


FIG.175A (1-D-9) OIL PUMP

REF NO.	PART NO.	DESCRIPTION	Q'TY	REMARKS
1	12632-96J00	GEAR, OIL PUMP DRIVE (NT:35)	1	
2	16113-96J00	GEAR, OIL PUMP DRIVEN (NT:20)	1	
3	16400-96J00	PUMP ASSY, OIL	1	
4	16520-96J01	STRAINER, OIL PUMP	1	
5	09181-12167	SHIM (12X20X1)	1	
6	09280-22020	O RING (D:2.4,ID:21.8)	2	
7	01550-0616A	BOLT	3	
8	01550-0870A	BOLT	4	
9	08110-60020	BEARING	1	

FIG.178A



FIG.178A (1-D-10) OIL FILTER

REF NO.	PART NO.	DESCRIPTION	Q'TY	REMARKS
1	16510-96J00	FILTER ASSY, OIL	1	
2	16540-96J00	STAND, OIL FILTER	1	
3	16543-96J00	O RING	1	
4	01550-08357	BOLT	3	

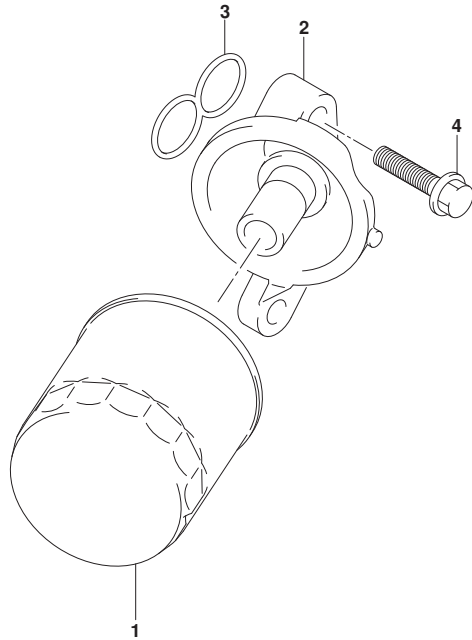


FIG.180A

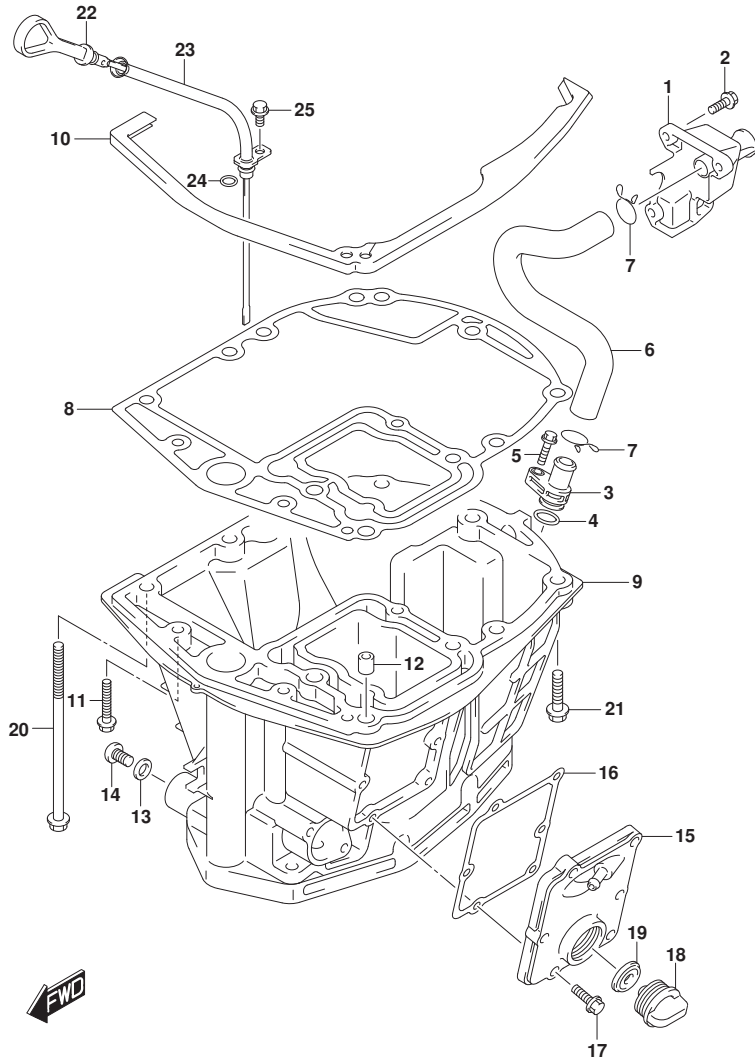


FIG.180A (1-D-11) OIL PAN

REF NO.	PART NO.	DESCRIPTION	Q'TY	REMARKS
1	11430-96J10	PIPE, EXHAUST RELEASE	1	
2	29116-93J00	BOLT, EXH RELEASE PIPE (6X20)	3	
3	11540-96J01	PIPE, EXHAUST	1	
4	09280-16005	O RING (D:2.4,ID:15.8)	1	
5	29116-93J00	BOLT, EXHAUST PIPE (6X20)	1	
6	11543-96J00	HOSE, EXHAUST	1	
7	09401-22408	CLIP	2	
8	11489-96J01	GASKET, OIL PAN (ASB)	1	
9-1	11501-96J03-0EP	PAN, OIL (BLACK)	1	
9-2	11501-96J03-Y5S	PAN, OIL (WHITE)	1	
10	11544-96J00	SEAL, OIL PAN UPPER	1	
11	09116-08128	BOLT (8X40)	2	
12	09202-08006	PIN (8X12)	2	
13	09168-12012	GASKET (12.5X20X2.5)	1	
14	09248-12009	PLUG (12X18.65)	1	
15-1	11550-96J00-0EP	COVER, WTR JACKET OIL PAN (BLACK)	1	
15-2	11550-96J00-Y5S	COVER, WTR JACKET OIL PAN (WHITE)	1	
16	11552-96J00	GASKET, WTR JACKET COVER	1	
17	09103-06093	BOLT (6X20)	6	
18	17913-93J00	PLUG, WATER	1	
19	17914-93J00	GASKET, WATER PLUG	1	
20	09116-10146	BOLT (10X195)	8	
21	09116-10181	BOLT (10X44)	1	
22	16910-96J01	GAUGE, OIL LEVEL	1	
23	16930-96J00	GUIDE, OIL LEVEL GAUGE	1	
24	09280-09008	O RING (D:2.1,ID:8.8)	1	
25	01550-06127	BOLT	1	

FIG.204A

FIG.204A (1-D-12) CLUTCH SHAFT (DF200AT E01)

REF NO.	PART NO.	DESCRIPTION	Q'TY	REMARKS
1	21100-96J01	LEVER, CLUTCH	1	
2	21131-93J00	BUSH, CLUTCH LEVER	1	
3	09306-10001	BUSH	4	
4	09383-08004	E RING	1	
5	23115-96J00	LINK, CLUTCH LEVER	1	
6	09160-06094	WASHER (6.5X15X1.5)	2	
7	09204-01006	PIN	2	
8	09306-06004	BUSH	2	
9	21151-96J00	HOLDER, CLUTCH LEVER	1	
10	01550-06207	BOLT	1	
11	21155-93J00	PLATE, SHIFT LEVER	1	
12	02142-05107	SCREW	2	
13	21210-93J01	SHAFT, CLUTCH	1	
14	21230-93J01	ARM, CLUTCH SHAFT	1	
15	22511-99011	NIPPLE, GREASE	1	
16-1	23111-96J00	ROD, CLUTCH (L)	1	W/TRANSOM(L)
16-2	23111-93J00	ROD, CLUTCH (X)	1	W/TRANSOM(X)
17	25223-94400	COVER, CLUTCH ROD	1	
18	09248-12011	PLUG (12X9)	1	
19	09289-18001	OIL SEAL (18X30X8)	1	
20	09262-17019	BEARING (17X35X8)	1	
21	08331-41359	CIRCLIP	1	
22	09205-10006	SPRING PIN (10.2X10)	1	
23	09260-10005	BALL	1	
24	09440-07051	SPRING	1	
25	67467-89J01	CONNECTOR, REMOCON CABLE	2	
26	09160-06055	WASHER (7X12X1)	2	
27	09385-06012	CLIP	2	

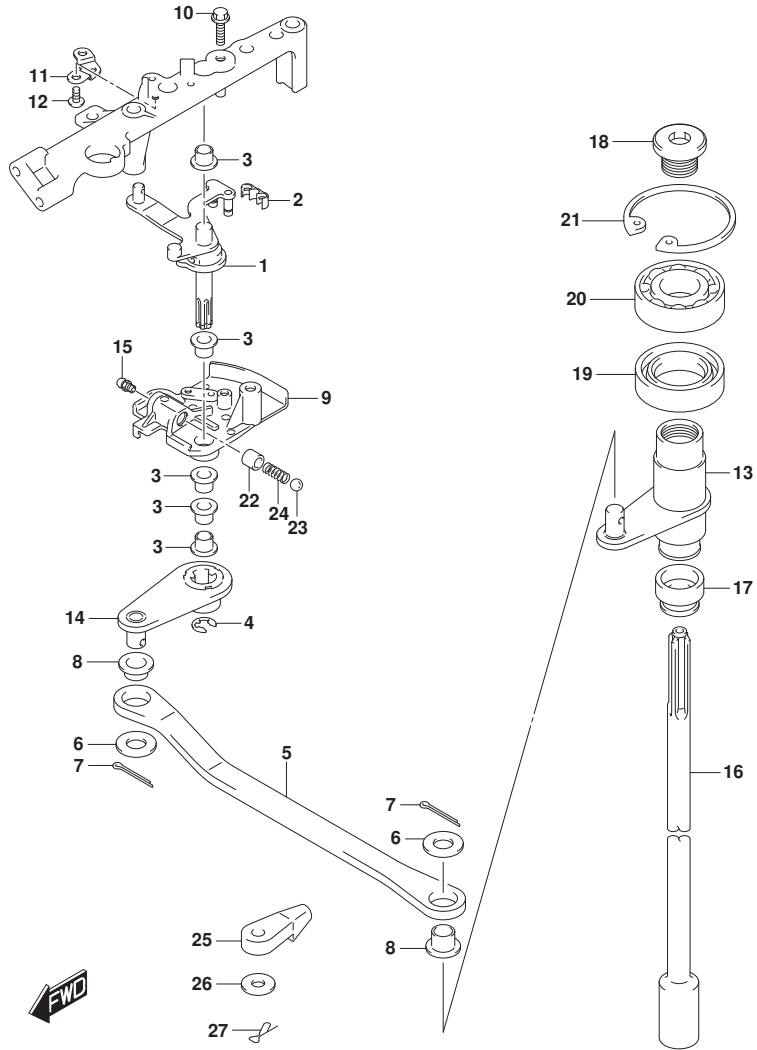


FIG.204B

FIG.204B (1-D-13) CLUTCH SHAFT (DF200AT E40)

REF NO.	PART NO.	DESCRIPTION	Q'TY	REMARKS
1	21100-96J01	LEVER, CLUTCH	1	
2	21131-93J00	BUSH, CLUTCH LEVER	1	
3	09306-10001	BUSH	4	
4	09383-08004	E RING	1	
5	23115-96J00	LINK, CLUTCH LEVER	1	
6	09160-06094	WASHER (6.5X15X1.5)	2	
7	09204-01006	PIN	2	
8	09306-06004	BUSH	2	
9	21151-96J00	HOLDER, CLUTCH LEVER	1	
10	01550-06207	BOLT	1	
11	21155-93J00	PLATE, SHIFT LEVER	1	
12	02142-05107	SCREW	2	
13	21210-93J01	SHAFT, CLUTCH	1	
14	21230-93J01	ARM, CLUTCH SHAFT	1	
15	22511-99011	NIPPLE, GREASE	1	
16-1	23111-96J00	ROD, CLUTCH (L)	1	W/TRANSOM(L)
16-2	23111-93J00	ROD, CLUTCH (X)	1	W/TRANSOM(X)
17	25223-94400	COVER, CLUTCH ROD	1	
18	09248-12011	PLUG (12X9)	1	
19	09289-18001	OIL SEAL (18X30X8)	1	
20	09262-17019	BEARING (17X35X8)	1	
21	08331-41359	CIRCLIP	1	
22	09205-10006	SPRING PIN (10.2X10)	1	
23	09260-10005	BALL	1	
24	09440-07051	SPRING	1	
25	67467-89J01	CONNECTOR, REMOCON CABLE	2	
26	09160-06055	WASHER (7X12X1)	2	
27	09385-06012	CLIP	2	

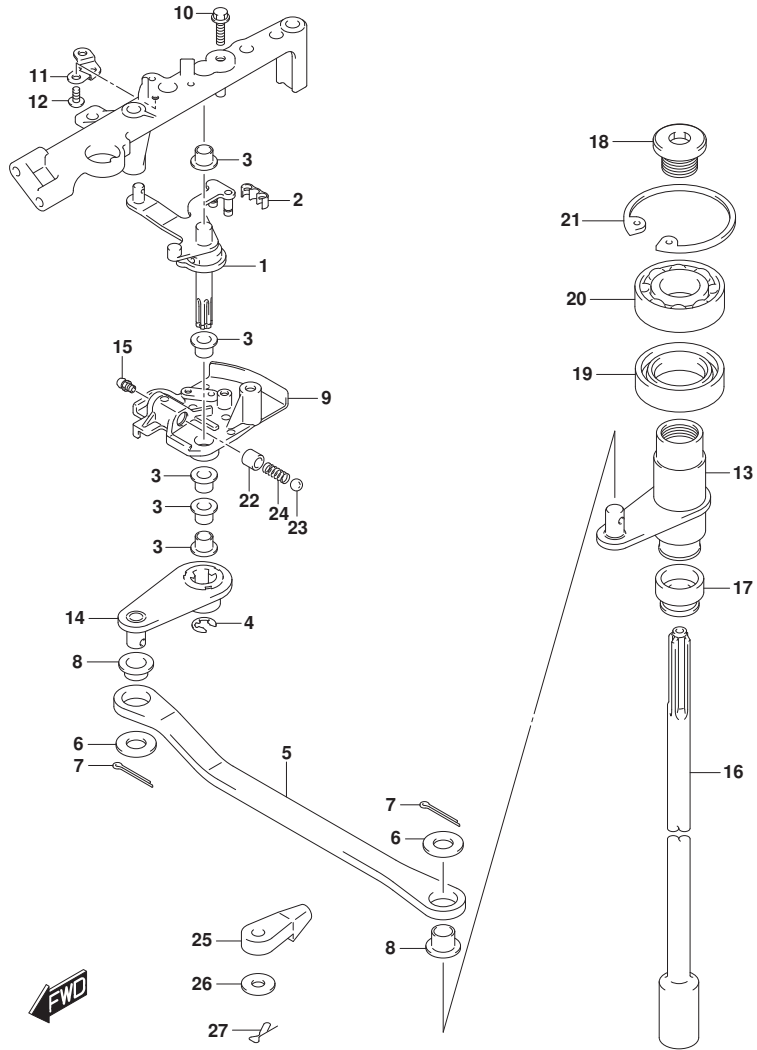


FIG.204C

FIG.204C (1-D-14) CLUTCH SHAFT (DF200AZ E01)

REF NO.	PART NO.	DESCRIPTION	Q'TY	REMARKS
1	21100-96J01	LEVER, CLUTCH	1	
2	21131-93J00	BUSH, CLUTCH LEVER	1	
3	09306-10001	BUSH	4	
4	09383-08004	E RING	1	
5	23115-96J00	LINK, CLUTCH LEVER	1	
6	09160-06094	WASHER (6.5X15X1.5)	2	
7	09204-01006	PIN	2	
8	09306-06004	BUSH	2	
9	21151-96J00	HOLDER, CLUTCH LEVER	1	
10	01550-06207	BOLT	1	
11	21155-93J00	PLATE, SHIFT LEVER	1	
12	02142-05107	SCREW	2	
13	21210-93J01	SHAFT, CLUTCH	1	
14	21230-93J01	ARM, CLUTCH SHAFT	1	
15	22511-99011	NIPPLE, GREASE	1	
16	23111-93J00	ROD, CLUTCH (X)	1	
17	25223-94400	COVER, CLUTCH ROD	1	
18	09248-12011	PLUG (12X9)	1	
19	09289-18001	OIL SEAL (18X30X8)	1	
20	09262-17019	BEARING (17X35X8)	1	
21	08331-41359	CIRCLIP	1	
22	09205-10006	SPRING PIN (10.2X10)	1	
23	09260-10005	BALL	1	
24	09440-07051	SPRING	1	
25	67467-89J01	CONNECTOR, REMOCON CABLE	2	
26	09160-06055	WASHER (7X12X1)	2	
27	09385-06012	CLIP	2	

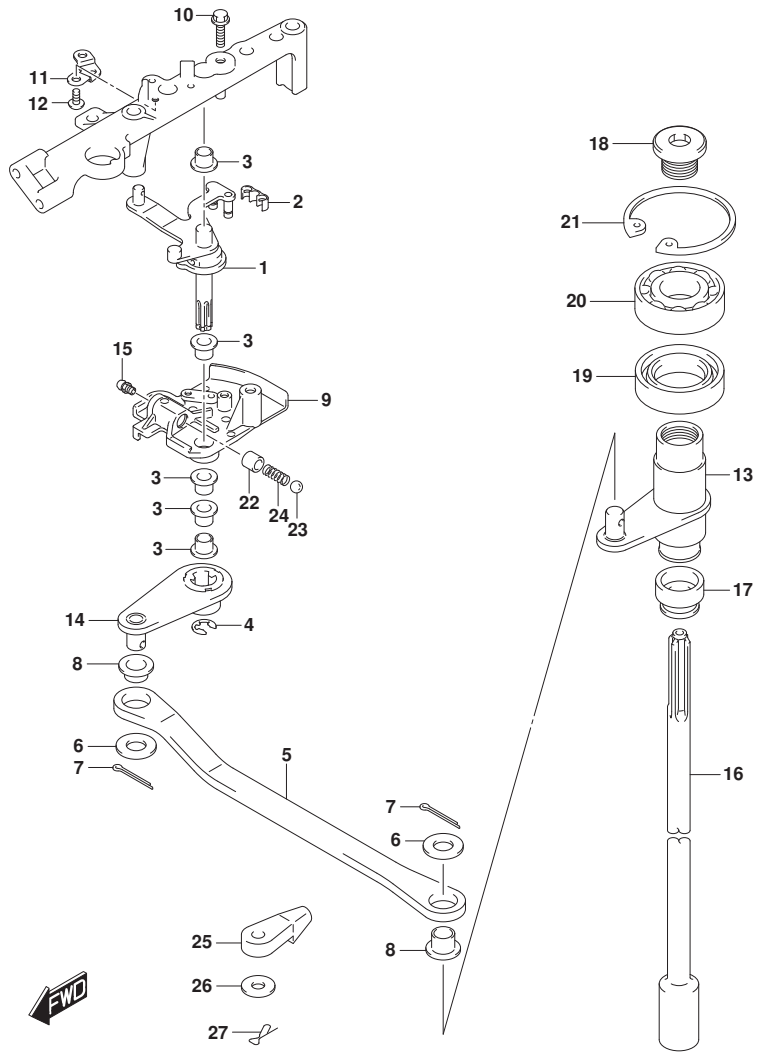


FIG.204D

FIG.204D (1-D-15) CLUTCH SHAFT (DF200AZ E40)

REF NO.	PART NO.	DESCRIPTION	Q'TY	REMARKS
1	21100-96J01	LEVER, CLUTCH	1	
2	21131-93J00	BUSH, CLUTCH LEVER	1	
3	09306-10001	BUSH	4	
4	09383-08004	E RING	1	
5	23115-96J00	LINK, CLUTCH LEVER	1	
6	09160-06094	WASHER (6.5X15X1.5)	2	
7	09204-01006	PIN	2	
8	09306-06004	BUSH	2	
9	21151-96J00	HOLDER, CLUTCH LEVER	1	
10	01550-06207	BOLT	1	
11	21155-93J00	PLATE, SHIFT LEVER	1	
12	02142-05107	SCREW	2	
13	21210-93J01	SHAFT, CLUTCH	1	
14	21230-93J01	ARM, CLUTCH SHAFT	1	
15	22511-99011	NIPPLE, GREASE	1	
16	23111-93J00	ROD, CLUTCH (X)	1	
17	25223-94400	COVER, CLUTCH ROD	1	
18	09248-12011	PLUG (12X9)	1	
19	09289-18001	OIL SEAL (18X30X8)	1	
20	09262-17019	BEARING (17X35X8)	1	
21	08331-41359	CIRCLIP	1	
22	09205-10006	SPRING PIN (10.2X10)	1	
23	09260-10005	BALL	1	
24	09440-07051	SPRING	1	
25	67467-89J01	CONNECTOR, REMOCON CABLE	2	
26	09160-06055	WASHER (7X12X1)	2	
27	09385-06012	CLIP	2	

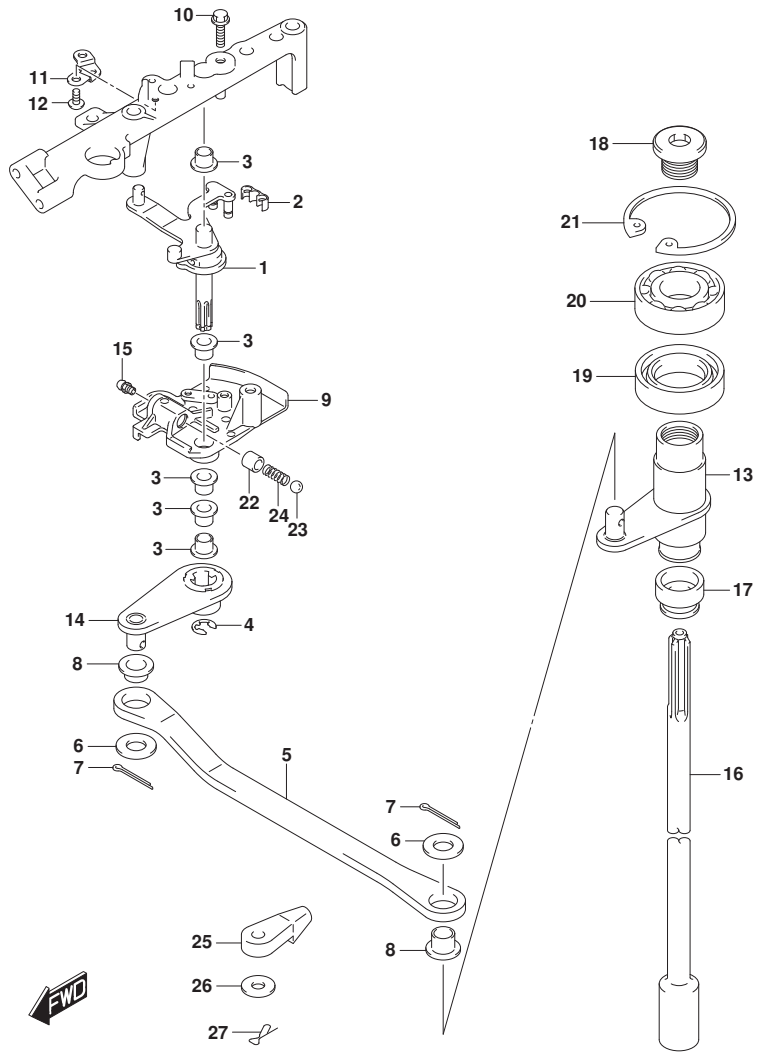


FIG.206A

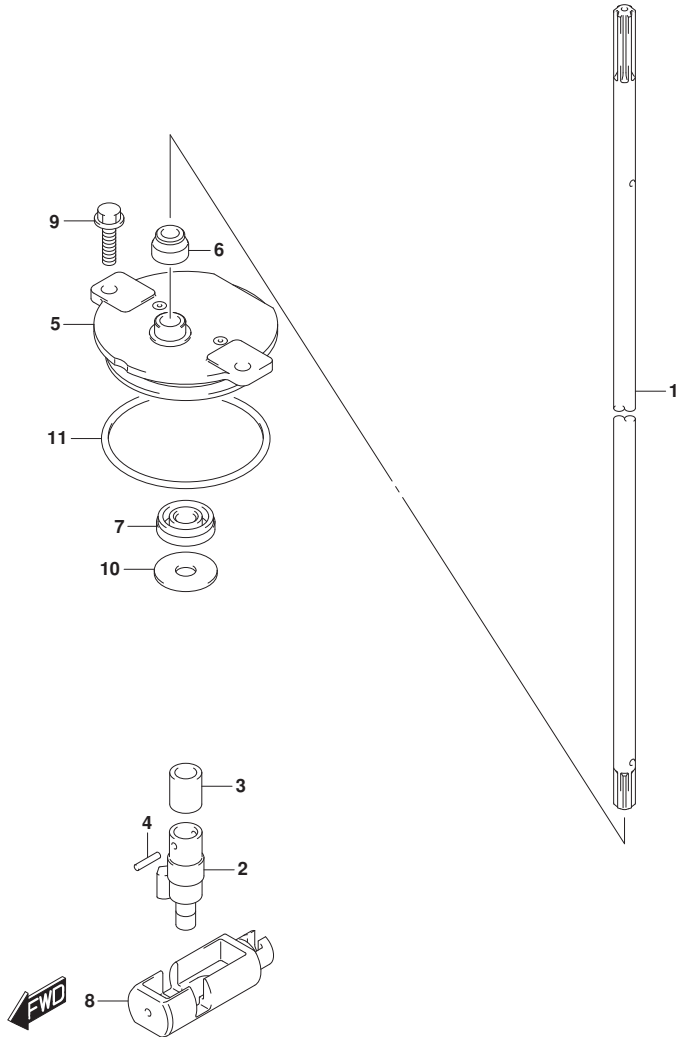


FIG.206A (1-E-2) CLUTCH ROD (DF200AT E01)

REF NO.	PART NO.	DESCRIPTION	Q'TY	REMARKS
1-1	25111-96J00	ROD, SHIFT (L)	1	W/TRANSOM(L)
1-2	25111-93J00	ROD, SHIFT (UL)	1	W/TRANSOM(X)
2	25131-93J00	YOKE, SHIFTER	1	
3	25232-96302	MAGNET, GEAR CASE	1	
4	09205-02006	SPRING PIN (2X12)	2	
5	25141-93J00	HOUSING, SHIFT ROD GUIDE	1	
6	25223-94400	COVER, CLUTCH ROD	1	
7	09282-08005	OIL SEAL (8X22X7)	1	
8	25321-93J00	SLIDER, SHIFT HORIZONTAL	1	
9	29116-93J00	BOLT, SHIFT ROD (6X20)	2	
10	09160-08151	WASHER (8.5X26X1.6)	1	
11	09280-60007	O RING (D:3.5,ID:59.6)	1	

FIG.206B

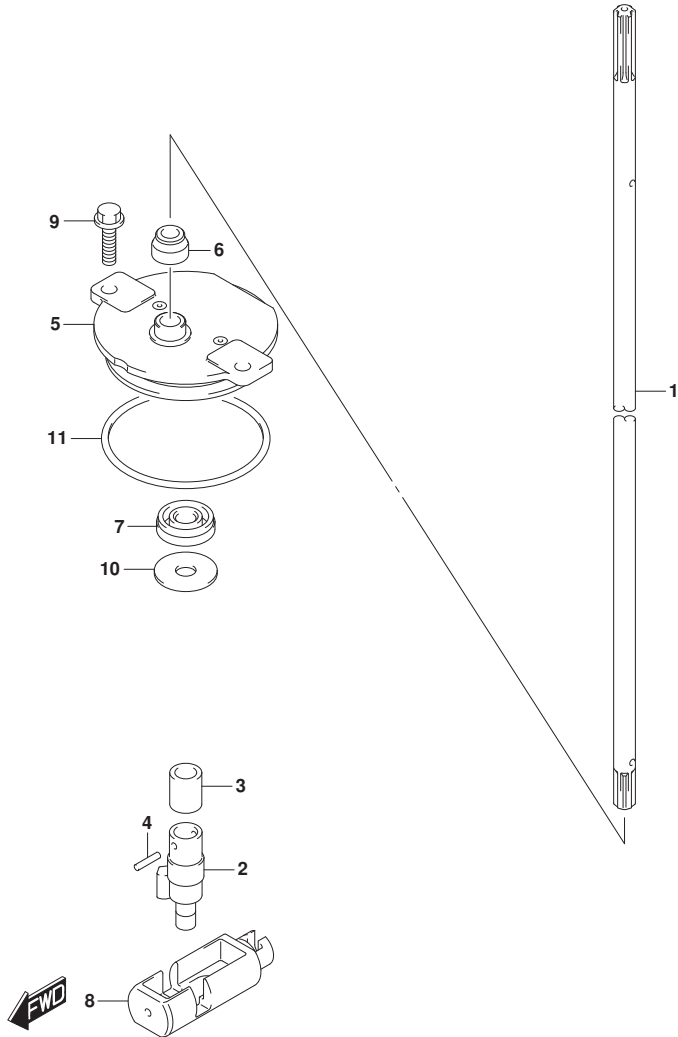


FIG.206B (1-E-3) CLUTCH ROD (DF200AT E40)

REF NO.	PART NO.	DESCRIPTION	Q'TY	REMARKS
1-1	25111-96J00	ROD, SHIFT (L)	1	W/TRANSOM(L)
1-2	25111-93J00	ROD, SHIFT (UL)	1	W/TRANSOM(X)
2	25131-93J00	YOKE, SHIFTER	1	
3	25232-96302	MAGNET, GEAR CASE	1	
4	09205-02006	SPRING PIN (2X12)	2	
5	25141-93J00	HOUSING, SHIFT ROD GUIDE	1	
6	25223-94400	COVER, CLUTCH ROD	1	
7	09282-08005	OIL SEAL (8X22X7)	1	
8	25321-93J00	SLIDER, SHIFT HORIZONTAL	1	
9	29116-93J00	BOLT, SHIFT ROD (6X20)	2	
10	09160-08151	WASHER (8.5X26X1.6)	1	
11	09280-60007	O RING (D;3.5,ID:59.6)	1	

FIG.206C

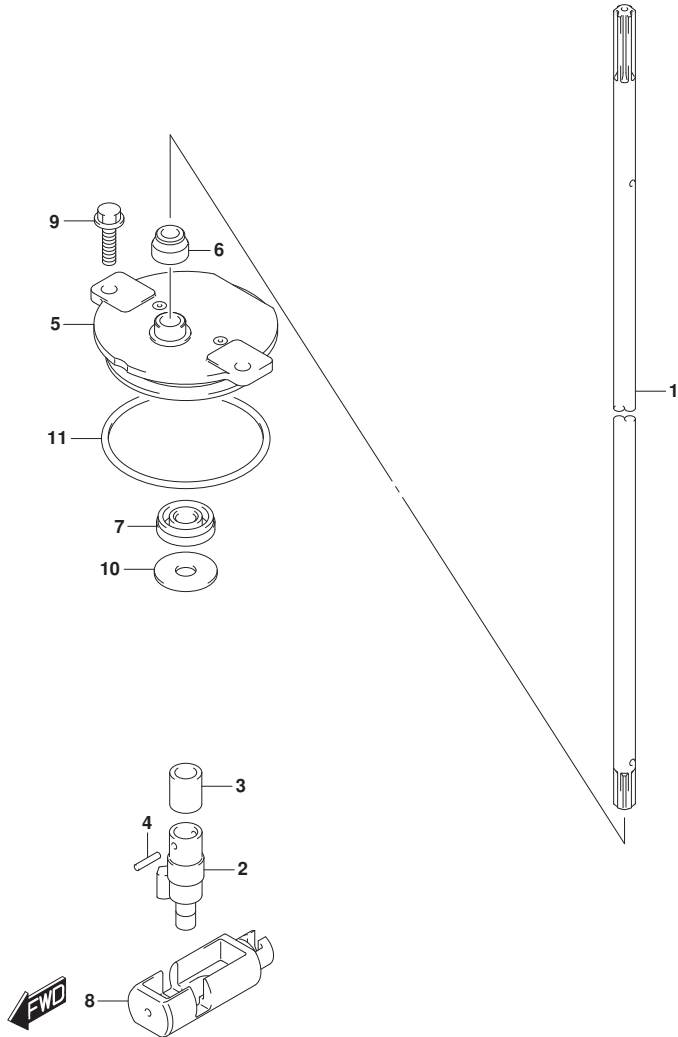


FIG.206C (1-E-4) CLUTCH ROD (DF200AZ E01)

REF NO.	PART NO.	DESCRIPTION	Q'TY	REMARKS
1	25111-93J00	ROD, SHIFT (UL)	1	
2	25131-93J00	YOKE, SHIFTER	1	
3	25232-96302	MAGNET, GEAR CASE	1	
4	09205-02006	SPRING PIN (2X12)	2	
5	25141-93J00	HOUSING, SHIFT ROD GUIDE	1	
6	25223-94400	COVER, CLUTCH ROD	1	
7	09282-08005	OIL SEAL (8X22X7)	1	
8	25321-93J00	SLIDER, SHIFT HORIZONTAL	1	
9	29116-93J00	BOLT, SHIFT ROD (6X20)	2	
10	09160-08151	WASHER (8.5X26X1.6)	1	
11	09280-60007	O RING (D;3.5,ID:59.6)	1	

FIG.206D

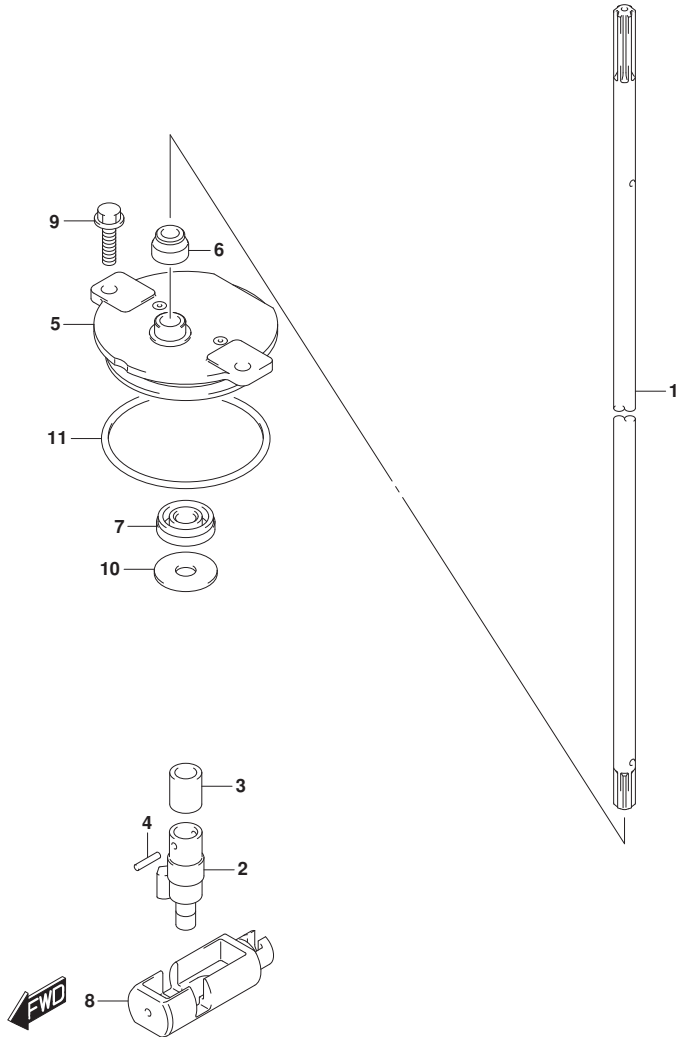


FIG.206D (1-E-5) CLUTCH ROD (DF200AZ E40)

REF NO.	PART NO.	DESCRIPTION	Q'TY	REMARKS
1	25111-93J00	ROD, SHIFT (UL)	1	
2	25131-93J00	YOKE, SHIFTER	1	
3	25232-96302	MAGNET, GEAR CASE	1	
4	09205-02006	SPRING PIN (2X12)	2	
5	25141-93J00	HOUSING, SHIFT ROD GUIDE	1	
6	25223-94400	COVER, CLUTCH ROD	1	
7	09282-08005	OIL SEAL (8X22X7)	1	
8	25321-93J00	SLIDER, SHIFT HORIZONTAL	1	
9	29116-93J00	BOLT, SHIFT ROD (6X20)	2	
10	09160-08151	WASHER (8.5X26X1.6)	1	
11	09280-60007	O RING (D;3.5,ID:59.6)	1	

FIG.220A

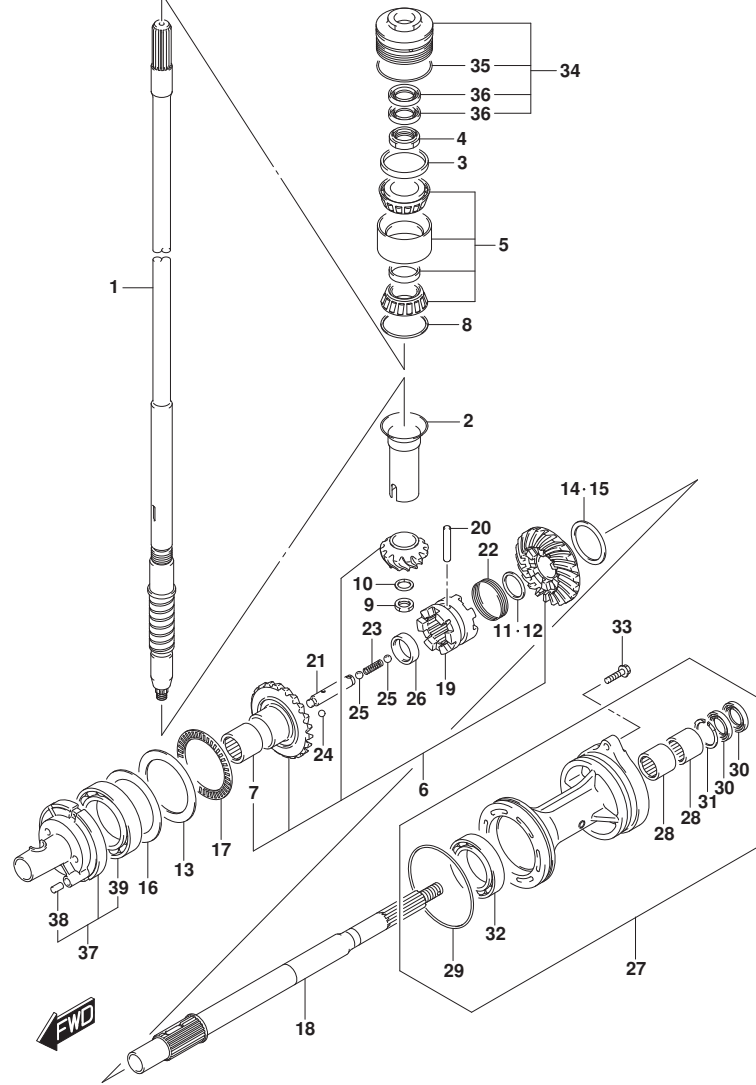


FIG.220A (1-E-6) TRANSMISSION (DF200AT E01)

REF NO.	PART NO.	DESCRIPTION	Q'TY	REMARKS
1-1	57110-96J40	SHAFT, DRIVE (L)	1	W/TRANSOM(L)
1-2	57110-96J30	SHAFT, DRIVE (X)	1	W/TRANSOM(X)
2	57133-93J00	COLLAR, DRIVE SHAFT	1	
3	57134-93J00	SPACER, DRIVE SHAFT BEARING	1	
4	09159-28003	NUT	1	
5	09269-32001	BEARING (32X66X49)	1	
6	57300-96850	PINION/GEAR SET	1	
7	09263-25067	.BEARING(25X32X26)	1	
8-1	09181-60004	SHIM (T:0.45)	1	
8-2	09181-60005	SHIM (T:0.50)	1	
8-3	09181-60006	SHIM (T:0.55)	1	
8-4	09181-60007	SHIM (T:0.60)	1	
8-5	09181-60008	SHIM (T:0.65)	1	
8-6	09181-60009	SHIM (T:0.70)	1	
8-7	09181-60010	SHIM (T:0.75)	1	
8-8	09181-60011	SHIM (T:0.80)	1	
8-9	09181-60012	SHIM (T:0.85)	1	
8-10	09181-60013	SHIM (T:0.90)	1	
9	09140-16021	NUT	1	
10	08221-16256	WASHER	1	
11	57500-87861	SHIM SET, PROP SHAFT REV	1	
12-1	08211-30382	.WASHER (T:1.5)	1	
12-2	09160-30036	.WASHER (T:1.7)	1	
12-3	09160-30037	.WASHER (T:1.9)	1	
12-4	09160-30038	.WASHER (T:2.1)	1	
12-5	08211-30384	.WASHER (T:2.2)	1	
12-6	09160-30039	.WASHER (T:2.3)	1	
12-7	09160-30041	.WASHER (T:2.4)	1	
12-8	08211-30385	.WASHER (T:2.5)	1	
12-9	09160-30042	.WASHER (T:2.6)	1	
12-10	09160-30043	.WASHER (T:2.7)	1	
12-11	09160-30044	.WASHER (T:2.8)	1	
13	09160-75002	WASHER (75X100X2)	1	FWD GEAR
14	57500-87852	SHIM SET, REV GEAR	1	REV GEAR

FIG.220A

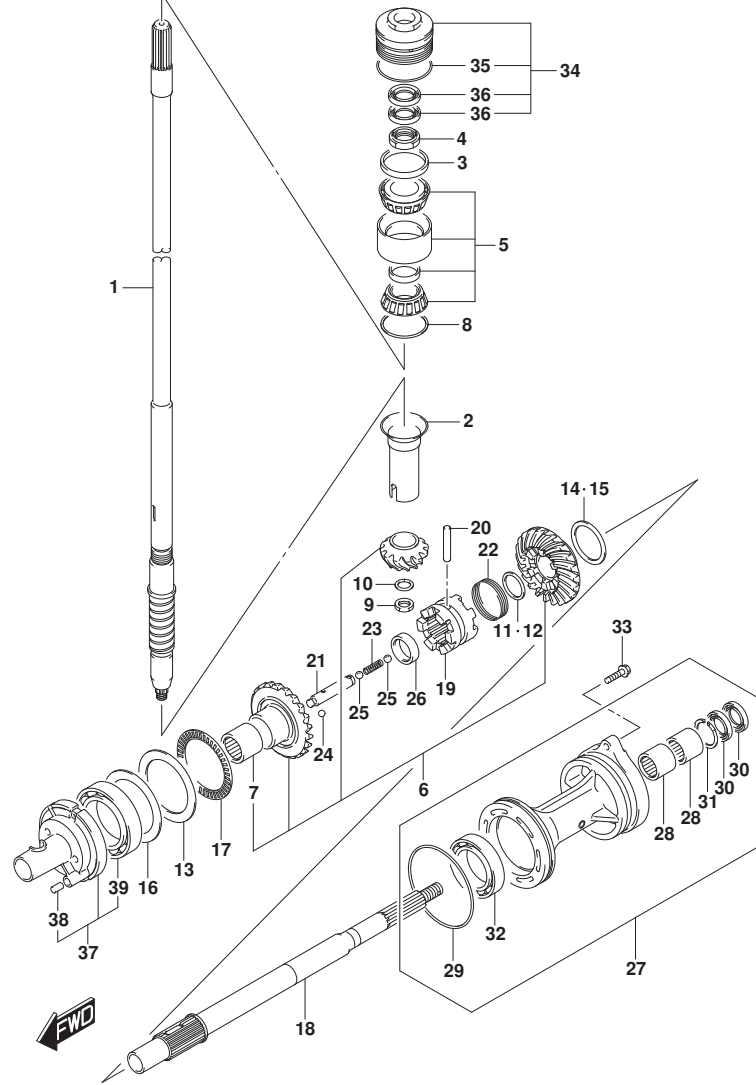


FIG.220A (1-E-7) TRANSMISSION (DF200AT E01)

REF NO.	PART NO.	DESCRIPTION	Q'TY	REMARKS
15-1	09181-50013	.SHIM (T:1.00)	1	REV GEAR
15-2	09181-50012	.SHIM (T:1.10)	1	REV GEAR
15-3	09181-50005	.SHIM (T:1.20)	1	REV GEAR
15-4	09181-50006	.SHIM (T:1.30)	1	REV GEAR
15-5	09181-50007	.SHIM (T:1.40)	1	REV GEAR
15-6	09181-50008	.SHIM (T:1.50)	1	REV GEAR
15-7	09181-50009	.SHIM (T:1.60)	1	REV GEAR
15-8	09181-50010	.SHIM (T:1.70)	1	REV GEAR
16-1	09181-75018	SHIM (T:0.50)	1	FWD GEAR
16-2	09181-75019	SHIM (T:0.55)	1	FWD GEAR
16-3	09181-75012	SHIM (T:0.60)	1	FWD GEAR
16-4	09181-75013	SHIM (T:0.65)	1	FWD GEAR
16-5	09181-75008	SHIM (T:0.70)	1	FWD GEAR
16-6	09181-75014	SHIM (T:0.75)	1	FWD GEAR
16-7	09181-75009	SHIM (T:0.80)	1	FWD GEAR
16-8	09181-75015	SHIM (T:0.85)	1	FWD GEAR
16-9	09181-75010	SHIM (T:0.90)	1	FWD GEAR
16-10	09181-75016	SHIM (T:0.95)	1	FWD GEAR
16-11	09181-75011	SHIM (T:1.00)	1	FWD GEAR
17	09269-75002	BEARING (75X100X4)	1	
18	57610-93J00	SHAFT, PROPELLER	1	
19	57621-93J10	SHIFTER, CLUTCH DOG	1	
20	09202-08007	PIN (8X49)	1	
21	57631-93J00	PIN, CONNECTOR	1	
22	09440-52003	SPRING	1	
23	09440-09040	SPRING	1	
24	06111-07004	BALL	2	
25	06111-11004	BALL	2	
26	09180-25082	SPACER (25X36.5X9.5)	1	
27-1	56120-93J50-0EP	HOUSING, PROP SFT BRG (BLACK)	1	
27-2	56120-93J50-Y5S	HOUSING, PROP SFT BRG (WHITE)	1	
28	09263-30063	.BEARING (30X40X25)	2	
29	.O RING (D:3.1,ID:104.4)	1		
30	09282-30006	.OIL SEAL (30X45X6)	2	

FIG.220A

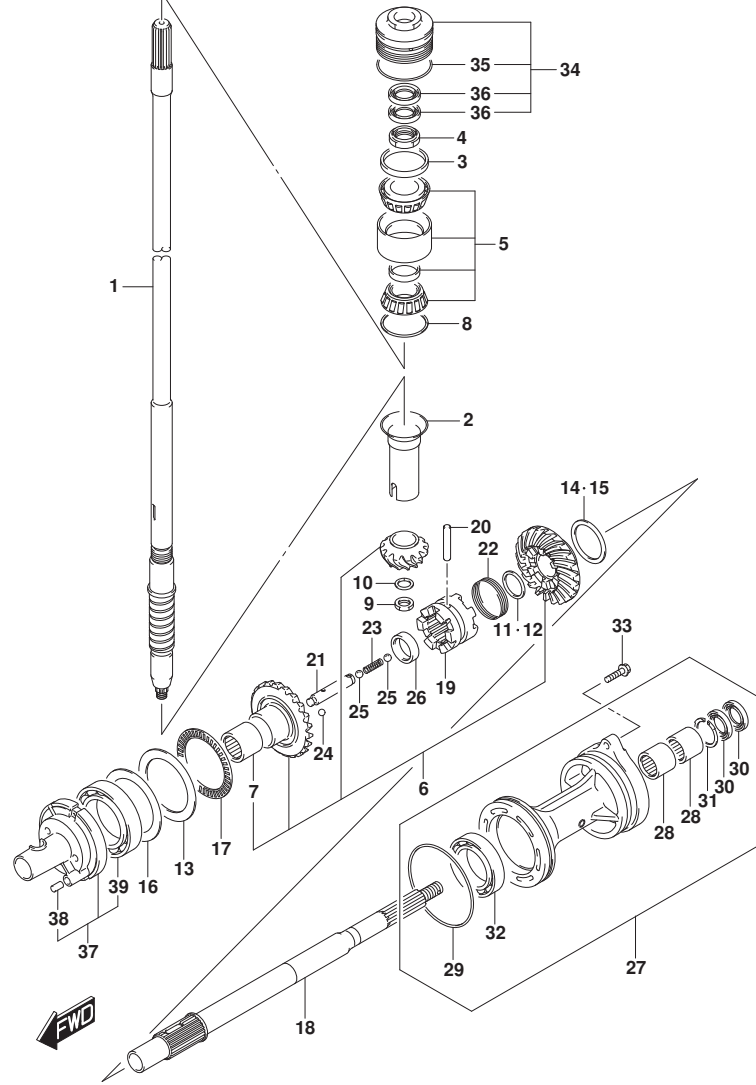


FIG.220A (1-E-8) TRANSMISSION (DF200AT E01)

REF NO.	PART NO.	DESCRIPTION	Q'TY	REMARKS
31	09381-40003	.CIRCLIP	1	
32	08113-60100	.BEARING	1	
33	09116-08158	BOLT (8X35)	2	
34	56130-93J01	HOUSING, DRIVE SHAFT BRG	1	
35	09280-66004	.O RING (D:3.1,ID:65.4)	1	
36	09282-24004	.OIL SEAL (24X40X7)	2	
37	56140-93J01	HOUSING, FWD GEAR BRG	1	
38	04221-08129	.PIN	1	
39	09263-50009	.BEARING (50X65X25)	1	

FIG.220B

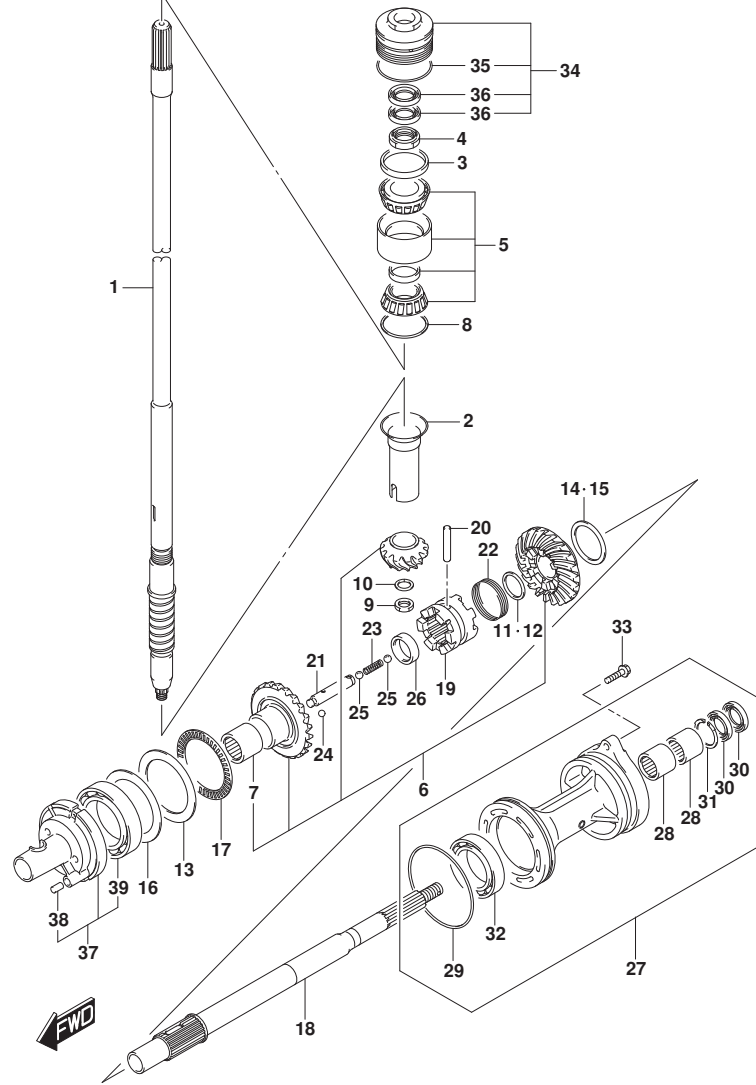


FIG.220B (1-E-9) TRANSMISSION (DF200AT E40)

REF NO.	PART NO.	DESCRIPTION	Q'TY	REMARKS
1-1	57110-96J40	SHAFT, DRIVE (L)	1	W/TRANSOM(L)
1-2	57110-96J30	SHAFT, DRIVE (X)	1	W/TRANSOM(X)
2	57133-93J00	COLLAR, DRIVE SHAFT	1	
3	57134-93J00	SPACER, DRIVE SHAFT BEARING	1	
4	09159-28003	NUT	1	
5	09269-32001	BEARING (32X66X49)	1	
6	57300-96850	PINION/GEAR SET	1	
7	09263-25067	.BEARING(25X32X26)	1	
8-1	09181-60004	SHIM (T:0.45)	1	
8-2	09181-60005	SHIM (T:0.50)	1	
8-3	09181-60006	SHIM (T:0.55)	1	
8-4	09181-60007	SHIM (T:0.60)	1	
8-5	09181-60008	SHIM (T:0.65)	1	
8-6	09181-60009	SHIM (T:0.70)	1	
8-7	09181-60010	SHIM (T:0.75)	1	
8-8	09181-60011	SHIM (T:0.80)	1	
8-9	09181-60012	SHIM (T:0.85)	1	
8-10	09181-60013	SHIM (T:0.90)	1	
9	09140-16021	NUT	1	
10	08221-16256	WASHER	1	
11	57500-87861	SHIM SET, PROP SHAFT REV	1	
12-1	08211-30382	.WASHER (T:1.5)	1	
12-2	09160-30036	.WASHER (T:1.7)	1	
12-3	09160-30037	.WASHER (T:1.9)	1	
12-4	09160-30038	.WASHER (T:2.1)	1	
12-5	08211-30384	.WASHER (T:2.2)	1	
12-6	09160-30039	.WASHER (T:2.3)	1	
12-7	09160-30041	.WASHER (T:2.4)	1	
12-8	08211-30385	.WASHER (T:2.5)	1	
12-9	09160-30042	.WASHER (T:2.6)	1	
12-10	09160-30043	.WASHER (T:2.7)	1	
12-11	09160-30044	.WASHER (T:2.8)	1	
13	09160-75002	WASHER (75X100X2)	1	FWD GEAR
14	57500-87852	SHIM SET, REV GEAR	1	REV GEAR

FIG.220B

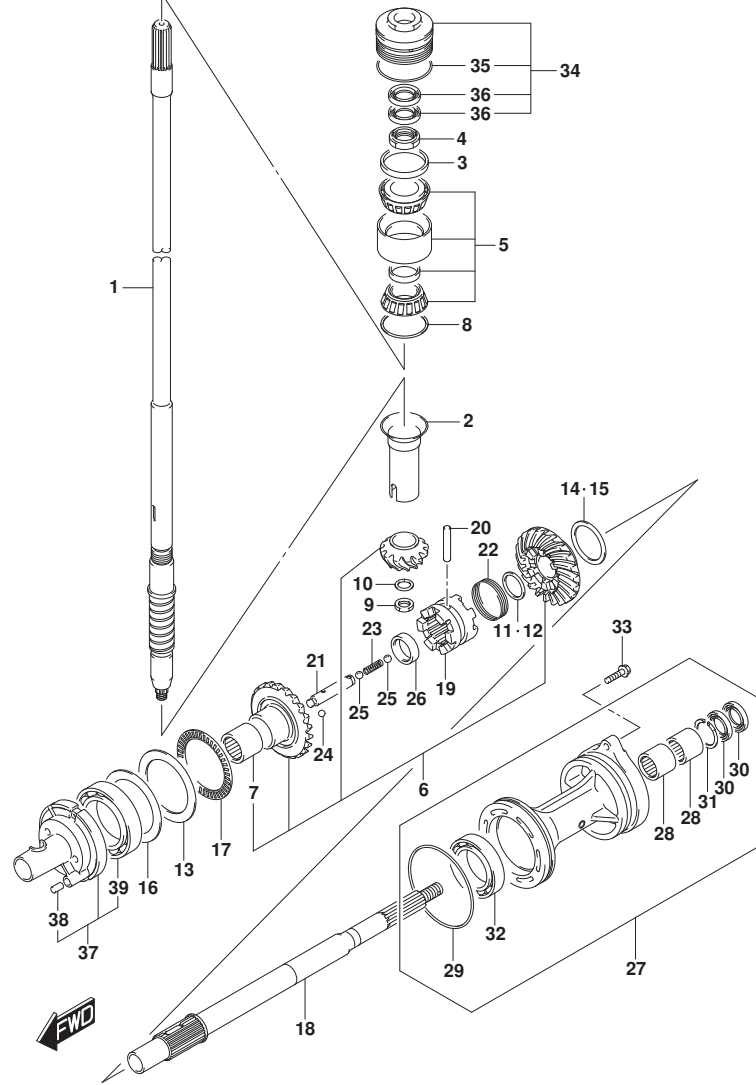
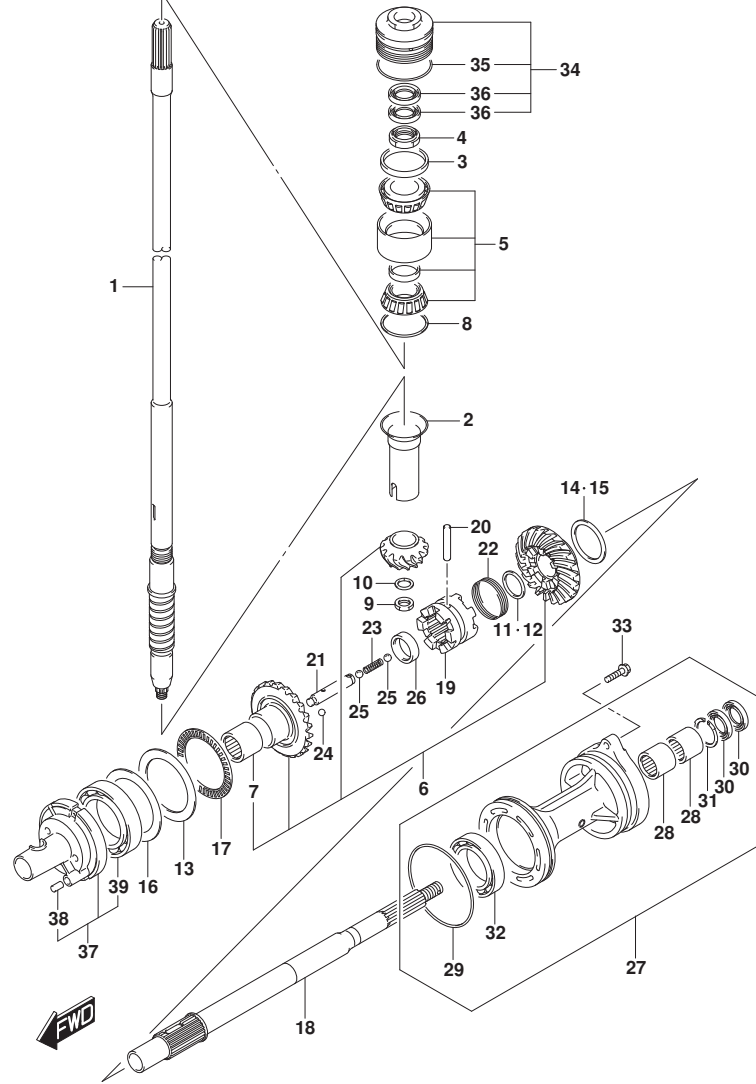


FIG.220B (1-E-10) TRANSMISSION (DF200AT E40)

REF NO.	PART NO.	DESCRIPTION	Q'TY	REMARKS
15-1	09181-50013	.SHIM (T:1.00)	1	REV GEAR
15-2	09181-50012	.SHIM (T:1.10)	1	REV GEAR
15-3	09181-50005	.SHIM (T:1.20)	1	REV GEAR
15-4	09181-50006	.SHIM (T:1.30)	1	REV GEAR
15-5	09181-50007	.SHIM (T:1.40)	1	REV GEAR
15-6	09181-50008	.SHIM (T:1.50)	1	REV GEAR
15-7	09181-50009	.SHIM (T:1.60)	1	REV GEAR
15-8	09181-50010	.SHIM (T:1.70)	1	REV GEAR
16-1	09181-75018	SHIM (T:0.50)	1	FWD GEAR
16-2	09181-75019	SHIM (T:0.55)	1	FWD GEAR
16-3	09181-75012	SHIM (T:0.60)	1	FWD GEAR
16-4	09181-75013	SHIM (T:0.65)	1	FWD GEAR
16-5	09181-75008	SHIM (T:0.70)	1	FWD GEAR
16-6	09181-75014	SHIM (T:0.75)	1	FWD GEAR
16-7	09181-75009	SHIM (T:0.80)	1	FWD GEAR
16-8	09181-75015	SHIM (T:0.85)	1	FWD GEAR
16-9	09181-75010	SHIM (T:0.90)	1	FWD GEAR
16-10	09181-75016	SHIM (T:0.95)	1	FWD GEAR
16-11	09181-75011	SHIM (T:1.00)	1	FWD GEAR
17	09269-75002	BEARING (75X100X4)	1	
18	57610-93J00	SHAFT, PROPELLER	1	
19	57621-93J10	SHIFTER, CLUTCH DOG	1	
20	09202-08007	PIN (8X49)	1	
21	57631-93J00	PIN, CONNECTOR	1	
22	09440-52003	SPRING	1	
23	09440-09040	SPRING	1	
24	06111-07004	BALL	2	
25	06111-11004	BALL	2	
26	09180-25082	SPACER (25X36.5X9.5)	1	
27-1	56120-93J50-0EP	HOUSING, PROP SFT BRG (BLACK)	1	
27-2	56120-93J50-Y5S	HOUSING, PROP SFT BRG (WHITE)	1	
28	09263-30063	.BEARING (30X40X25)	2	
29	.O RING (D:3.1,ID:104.4)	1		
30	09282-30006	.OIL SEAL (30X45X6)	2	

FIG.220B



DF200A_E01_015_220B
TRANSMISSION

FIG.220B (1-E-11) TRANSMISSION (DF200AT E40)

REF NO.	PART NO.	DESCRIPTION	QTY	REMARKS
31	09381-40003	.CIRCLIP	1	
32	08113-60100	.BEARING	1	
33	09116-08158	BOLT (8X35)	2	
34	56130-93J01	HOUSING, DRIVE SHAFT BRG	1	
35	09280-66004	.O RING (D:3.1,ID:65.4)	1	
36	09282-24004	.OIL SEAL (24X40X7)	2	
37	56140-93J01	HOUSING, FWD GEAR BRG	1	
38	04221-08129	.PIN	1	
39	09263-50009	.BEARING (50X65X25)	1	

DF200A_E01_015

FIG.220C

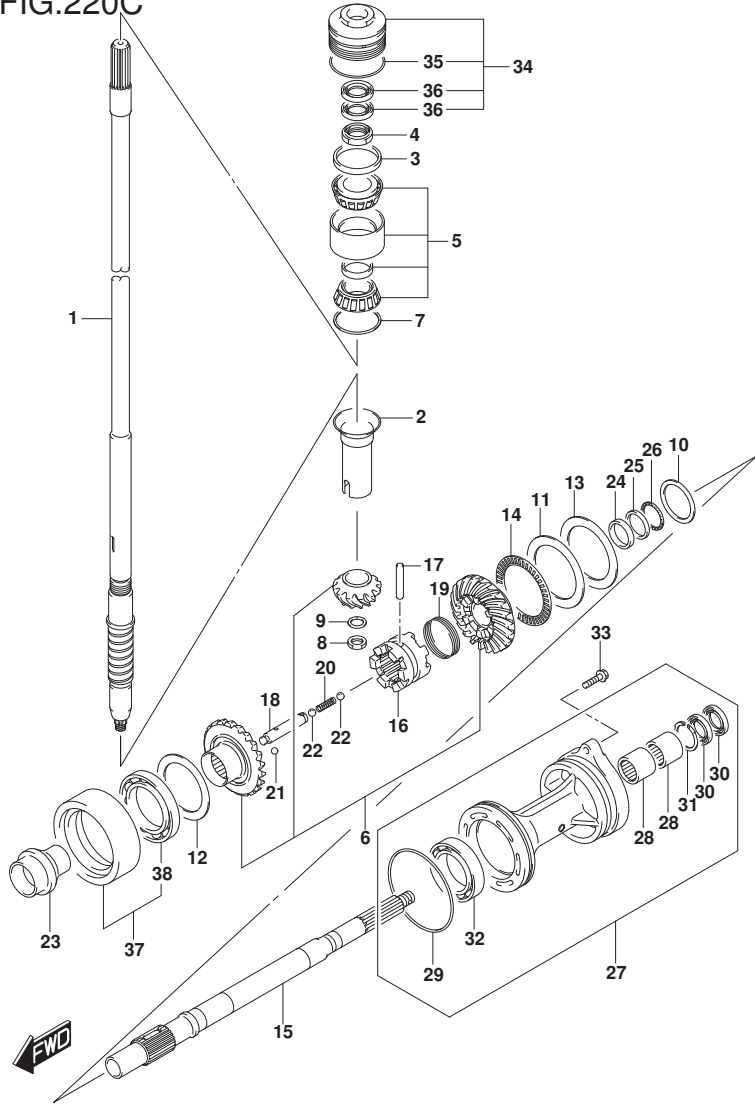
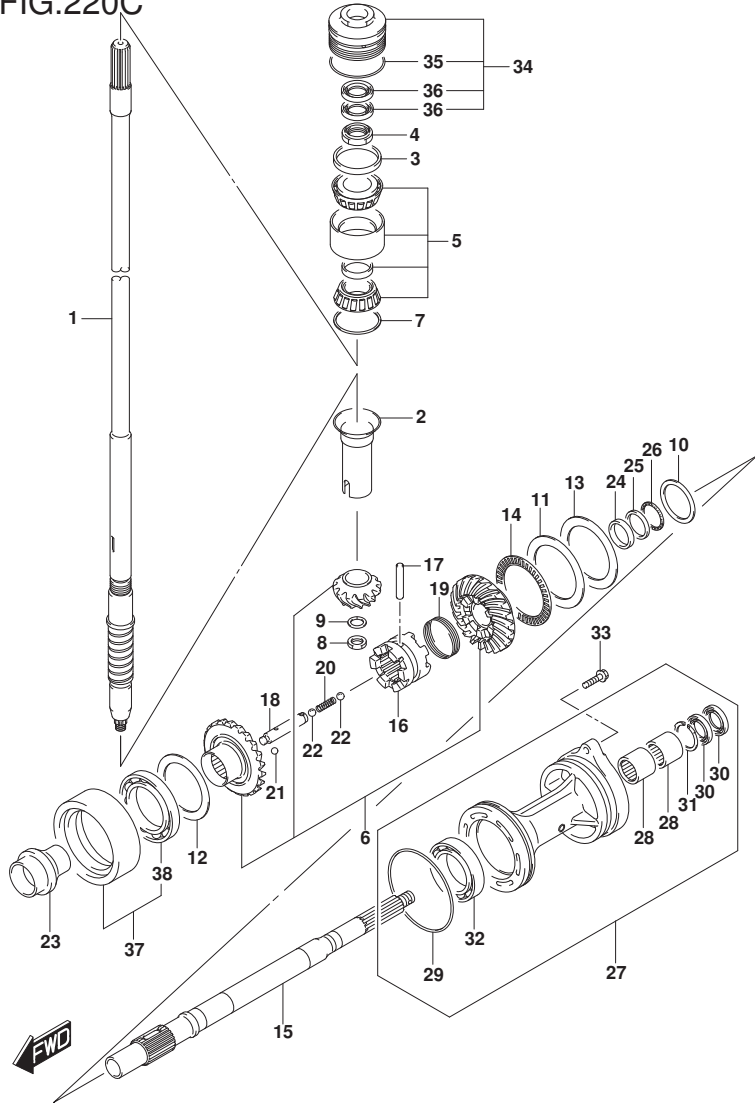


FIG.220C (1-E-12) TRANSMISSION (DF200AZ E01)

REF NO.	PART NO.	DESCRIPTION	Q'TY	REMARKS
1	57110-96J30	SHAFT, DRIVE (X)	1	
2	57133-93J00	COLLAR, DRIVE SHAFT	1	
3	57134-93J00	SPACER, DRIVE SHAFT BEARING	1	
4	09159-28003	NUT	1	
5	09269-32001	BEARING (32X66X49)	1	
6	57300-96860	PINION/GEAR SET	1	
7-1	09181-60004	SHIM (T:0.45)	1	
7-2	09181-60005	SHIM (T:0.50)	1	
7-3	09181-60006	SHIM (T:0.55)	1	
7-4	09181-60007	SHIM (T:0.60)	1	
7-5	09181-60008	SHIM (T:0.65)	1	
7-6	09181-60009	SHIM (T:0.70)	1	
7-7	09181-60010	SHIM (T:0.75)	1	
7-8	09181-60011	SHIM (T:0.80)	1	
7-9	09181-60012	SHIM (T:0.85)	1	
7-10	09181-60013	SHIM (T:0.90)	1	
8	09140-16021	NUT	1	
9	08221-16256	WASHER	1	
10-1	09160-35015	WASHER (T:0.6)	1	PROP SHAFT REV
10-2	09160-35013	WASHER (T:0.8)	1	PROP SHAFT REV
10-3	09160-35010	WASHER (T:1.15)	1	PROP SHAFT REV
10-4	09160-35004	WASHER (T:1.2)	1	PROP SHAFT REV
10-5	09160-35006	WASHER (T:0.9)	1	PROP SHAFT REV
10-6	09160-35002	WASHER (T:1.0)	1	PROP SHAFT REV
10-7	09160-35008	WASHER (T:0.95)	1	PROP SHAFT REV
10-8	09160-35003	WASHER (T:1.1)	1	PROP SHAFT REV
10-9	09160-35009	WASHER (T:1.05)	1	PROP SHAFT REV
11	09160-75002	WASHER (75X100X2)	1	FWD GEAR
12-1	09181-60004	SHIM (T:0.45)	1	REV GEAR
12-2	09181-60005	SHIM (T:0.50)	1	REV GEAR
12-3	09181-60006	SHIM (T:0.55)	1	REV GEAR
12-4	09181-60007	SHIM (T:0.60)	1	REV GEAR
12-5	09181-60008	SHIM (T:0.65)	1	REV GEAR

FIG.220C



DF200A_E01_015_220C
TRANSMISSION

FIG.220C (1-E-13) TRANSMISSION (DF200AZ E01)

REF NO.	PART NO.	DESCRIPTION	Q'TY	REMARKS
12-6	09181-60009	SHIM (T:0.70)	1	REV GEAR
12-7	09181-60010	SHIM (T:0.75)	1	REV GEAR
12-8	09181-60011	SHIM (T:0.80)	1	REV GEAR
12-9	09181-60012	SHIM (T:0.85)	1	REV GEAR
12-10	09181-60013	SHIM (T:0.90)	1	REV GEAR
13-1	09181-75018	SHIM (T:0.50)	1	FWD GEAR
13-2	09181-75019	SHIM (T:0.55)	1	FWD GEAR
13-3	09181-75012	SHIM (T:0.60)	1	FWD GEAR
13-4	09181-75013	SHIM (T:0.65)	1	FWD GEAR
13-5	09181-75008	SHIM (T:0.70)	1	FWD GEAR
13-6	09181-75014	SHIM (T:0.75)	1	FWD GEAR
13-7	09181-75009	SHIM (T:0.80)	1	FWD GEAR
13-8	09181-75015	SHIM (T:0.85)	1	FWD GEAR
13-9	09181-75010	SHIM (T:0.90)	1	FWD GEAR
13-10	09181-75016	SHIM (T:0.95)	1	FWD GEAR
13-11	09181-75011	SHIM (T:1.00)	1	FWD GEAR
14	09269-75002	BEARING (75X100X4)	1	
15	57610-93J20	SHAFT, PROPELLER	1	
16	57621-93J20	SHIFTER, CLUTCH DOG	1	
17	09202-08007	PIN (8X49)	1	
18	57631-93J00	PIN, CONNECTOR	1	
19	09440-52003	SPRING	1	
20	09440-09040	SPRING	1	
21	06111-07004	BALL	2	
22	06111-11004	BALL	2	
23	57622-93J00	SPACER, FWD THRUST	1	
24	09160-30055	WASHER (30X47X6)	1	
25	09160-30056	WASHER (32X47X3)	1	
26	09269-30014	BEARING (30X47X2)	1	
27-1	56120-93J60-0EP	HOUSING, PROP SFT BRG (BLACK)	1	
27-2	56120-93J60-Y5S	HOUSING, PROP SFT BRG (WHITE)	1	
28	09263-30063	.BEARING (30X40X25)	2	
29	09280-00040	.O RING (D:3.1,ID:104.4)	1	
30	09282-30006	.OIL SEAL (30X45X6)	2	

DF200A_E01_015

FIG.220C

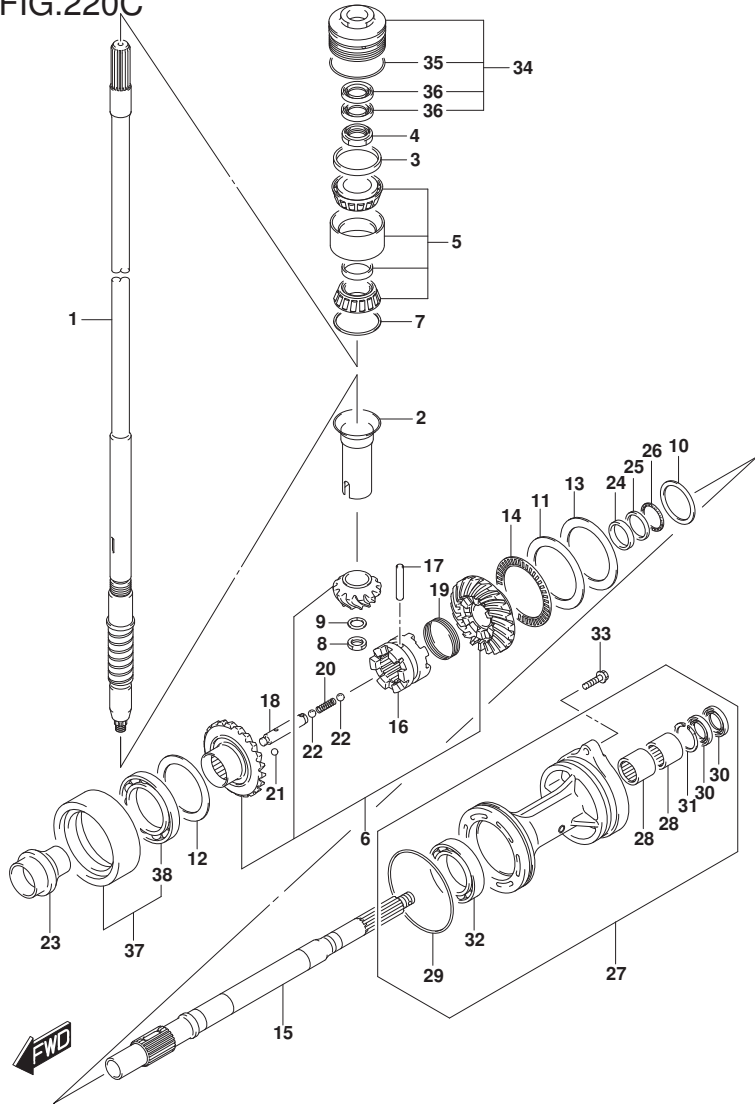


FIG.220C (1-E-14) TRANSMISSION (DF200AZ E01)

REF NO.	PART NO.	DESCRIPTION	QTY	REMARKS
31	09381-40003	.CIRCLIP	1	
32	09263-50009	.BEARING (50X65X25)	1	
33	09116-08158	BOLT (8X35)	2	
34	56130-93J01	HOUSING, DRIVE SHAFT BRG	1	
35	09280-66004	.O RING (D:3.1,ID:65.4)	1	
36	09282-24004	.OIL SEAL (24X40X7)	2	
37	56140-93J10	HOUSING, REV GEAR BRG	1	
38	09262-60002	.BEARING (60X85X13)	1	

FIG.220D

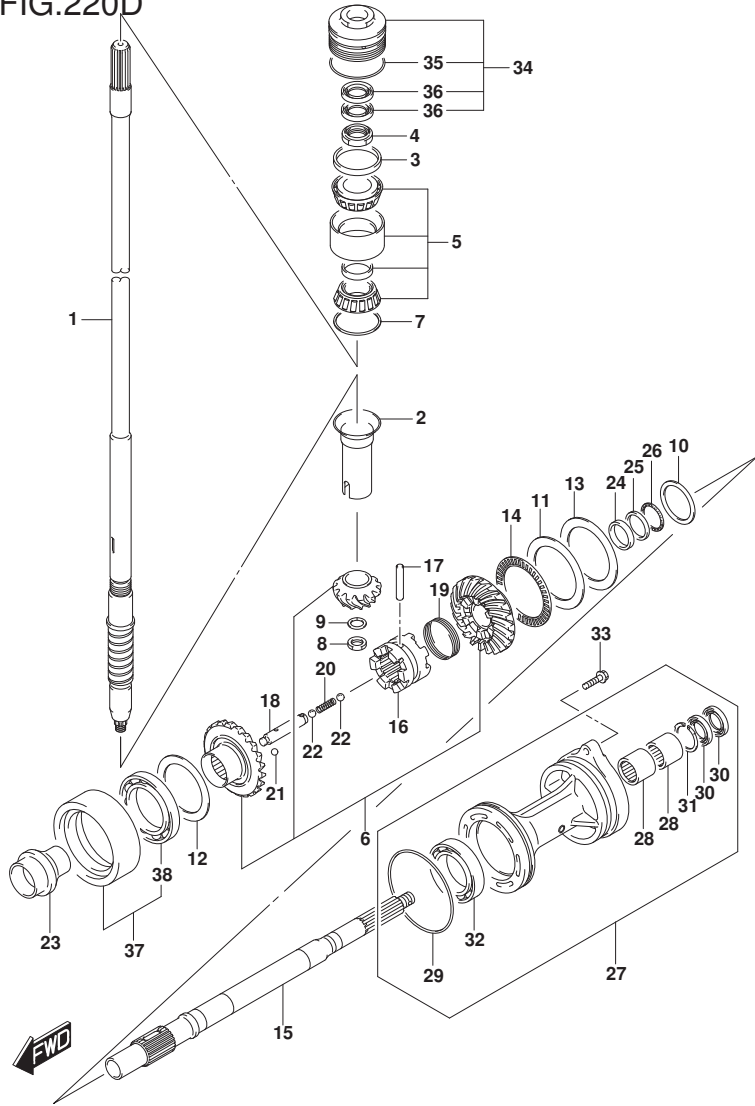


FIG.220D (1-E-15) TRANSMISSION (DF200AZ E40)

REF NO.	PART NO.	DESCRIPTION	Q'TY	REMARKS
1	57110-96J30	SHAFT, DRIVE (X)	1	
2	57133-93J00	COLLAR, DRIVE SHAFT	1	
3	57134-93J00	SPACER, DRIVE SHAFT BEARING	1	
4	09159-28003	NUT	1	
5	09269-32001	BEARING (32X66X49)	1	
6	57300-96860	PINION/GEAR SET	1	
7-1	09181-60004	SHIM (T:0.45)	1	
7-2	09181-60005	SHIM (T:0.50)	1	
7-3	09181-60006	SHIM (T:0.55)	1	
7-4	09181-60007	SHIM (T:0.60)	1	
7-5	09181-60008	SHIM (T:0.65)	1	
7-6	09181-60009	SHIM (T:0.70)	1	
7-7	09181-60010	SHIM (T:0.75)	1	
7-8	09181-60011	SHIM (T:0.80)	1	
7-9	09181-60012	SHIM (T:0.85)	1	
7-10	09181-60013	SHIM (T:0.90)	1	
8	09140-16021	NUT	1	
9	08221-16256	WASHER	1	
10-1	09160-35015	WASHER (T:0.6)	1	PROP SHAFT REV
10-2	09160-35013	WASHER (T:0.8)	1	PROP SHAFT REV
10-3	09160-35010	WASHER (T:1.15)	1	PROP SHAFT REV
10-4	09160-35004	WASHER (T:1.2)	1	PROP SHAFT REV
10-5	09160-35006	WASHER (T:0.9)	1	PROP SHAFT REV
10-6	09160-35002	WASHER (T:1.0)	1	PROP SHAFT REV
10-7	09160-35008	WASHER (T:0.95)	1	PROP SHAFT REV
10-8	09160-35003	WASHER (T:1.1)	1	PROP SHAFT REV
10-9	09160-35009	WASHER (T:1.05)	1	PROP SHAFT REV
11	09160-75002	WASHER (75X100X2)	1	FWD GEAR
12-1	09181-60004	SHIM (T:0.45)	1	REV GEAR
12-2	09181-60005	SHIM (T:0.50)	1	REV GEAR
12-3	09181-60006	SHIM (T:0.55)	1	REV GEAR
12-4	09181-60007	SHIM (T:0.60)	1	REV GEAR
12-5	09181-60008	SHIM (T:0.65)	1	REV GEAR

FIG.220D

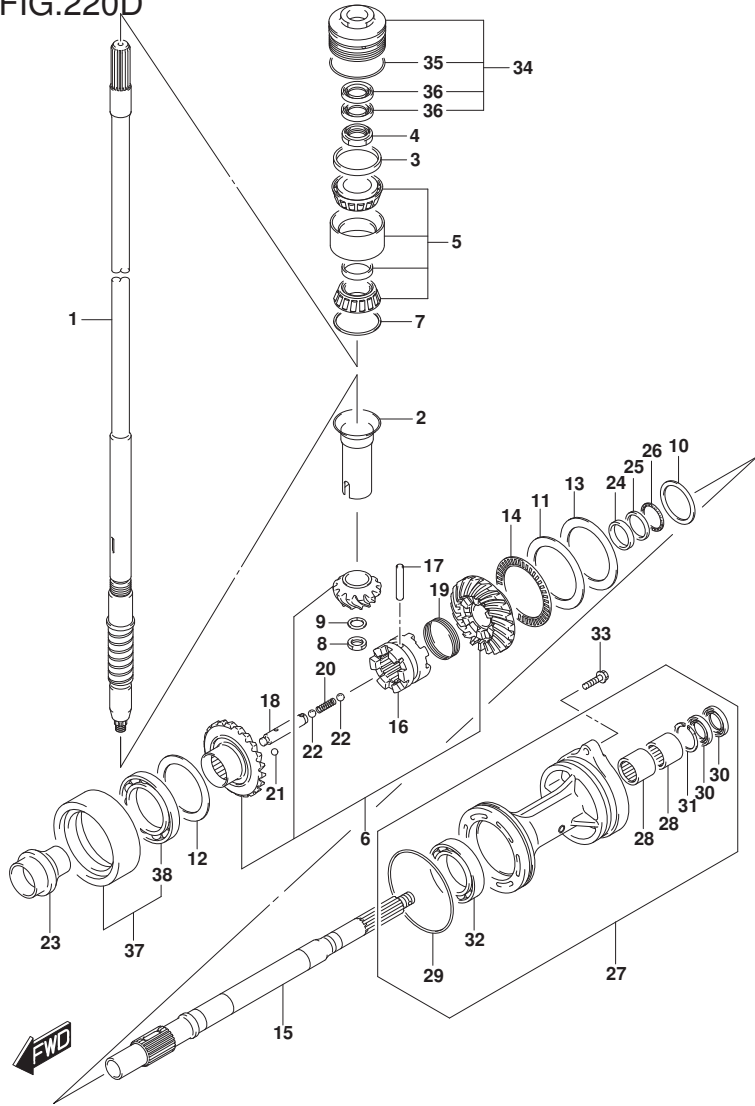


FIG.220D (1-F-2) TRANSMISSION (DF200AZ E40)

REF NO.	PART NO.	DESCRIPTION	Q'TY	REMARKS
12-6	09181-60009	SHIM (T:0.70)	1	REV GEAR
12-7	09181-60010	SHIM (T:0.75)	1	REV GEAR
12-8	09181-60011	SHIM (T:0.80)	1	REV GEAR
12-9	09181-60012	SHIM (T:0.85)	1	REV GEAR
12-10	09181-60013	SHIM (T:0.90)	1	REV GEAR
13-1	09181-75018	SHIM (T:0.50)	1	FWD GEAR
13-2	09181-75019	SHIM (T:0.55)	1	FWD GEAR
13-3	09181-75012	SHIM (T:0.60)	1	FWD GEAR
13-4	09181-75013	SHIM (T:0.65)	1	FWD GEAR
13-5	09181-75008	SHIM (T:0.70)	1	FWD GEAR
13-6	09181-75014	SHIM (T:0.75)	1	FWD GEAR
13-7	09181-75009	SHIM (T:0.80)	1	FWD GEAR
13-8	09181-75015	SHIM (T:0.85)	1	FWD GEAR
13-9	09181-75010	SHIM (T:0.90)	1	FWD GEAR
13-10	09181-75016	SHIM (T:0.95)	1	FWD GEAR
13-11	09181-75011	SHIM (T:1.00)	1	FWD GEAR
14	09269-75002	BEARING (75X100X4)	1	
15	57610-93J20	SHAFT, PROPELLER	1	
16	57621-93J20	SHIFTER, CLUTCH DOG	1	
17	09202-08007	PIN (8X49)	1	
18	57631-93J00	PIN, CONNECTOR	1	
19	09440-52003	SPRING	1	
20	09440-09040	SPRING	1	
21	06111-07004	BALL	2	
22	06111-11004	BALL	2	
23	57622-93J00	SPACER, FWD THRUST	1	
24	09160-30055	WASHER (30X47X6)	1	
25	09160-30056	WASHER (32X47X3)	1	
26	09269-30014	BEARING (30X47X2)	1	
27-1	56120-93J60-0EP	HOUSING, PROP SFT BRG (BLACK)	1	
27-2	56120-93J60-Y5S	HOUSING, PROP SFT BRG (WHITE)	1	
28	09263-30063	.BEARING (30X40X25)	2	
29	09280-00040	.O RING (D:3.1;ID:104.4)	1	
30	09282-30006	.OIL SEAL (30X45X6)	2	

FIG.220D

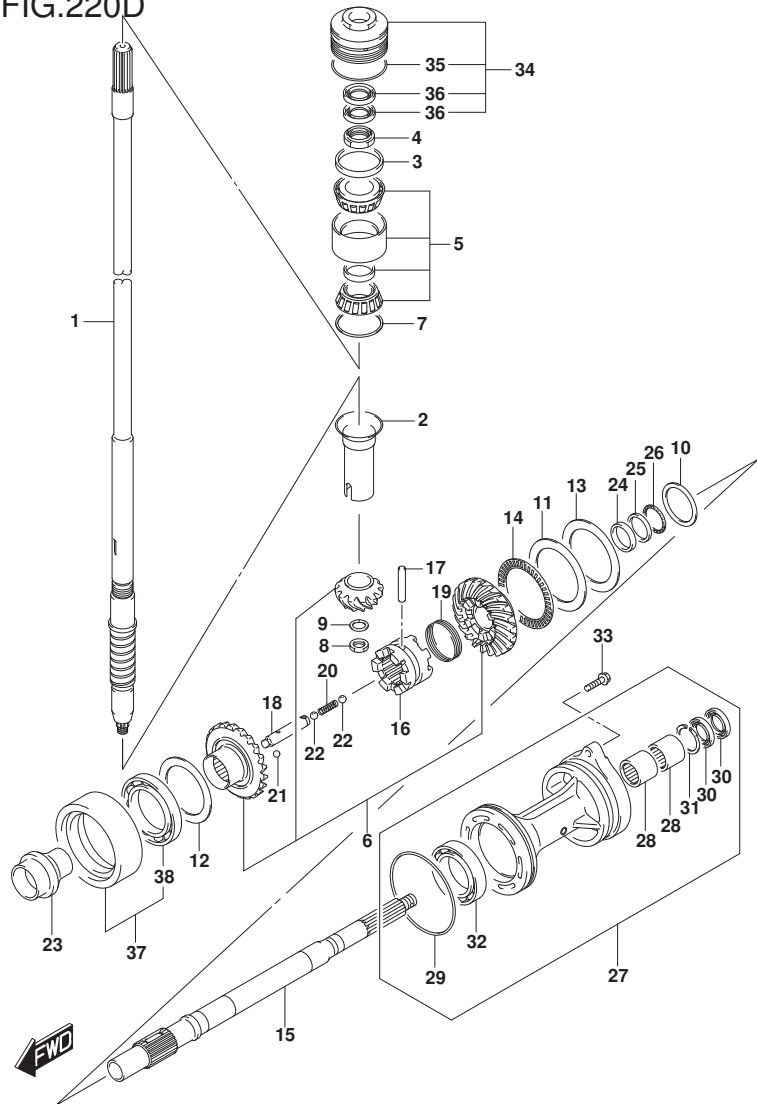


FIG.220D (1-F-3) TRANSMISSION (DF200AZ E40)

REF NO.	PART NO.	DESCRIPTION	QTY	REMARKS
31	09381-40003	.CIRCLIP	1	
32	09263-50009	.BEARING (50X65X25)	1	
33	09116-08158	BOLT (8X35)	2	
34	56130-93J01	HOUSING, DRIVE SHAFT BRG	1	
35	09280-66004	.O RING (D:3.1, ID:65.4)	1	
36	09282-24004	.OIL SEAL (24X40X7)	2	
37	56140-93J10	HOUSING, REV GEAR BRG	1	
38	09262-60002	.BEARING (60X85X13)	1	

FIG.301A

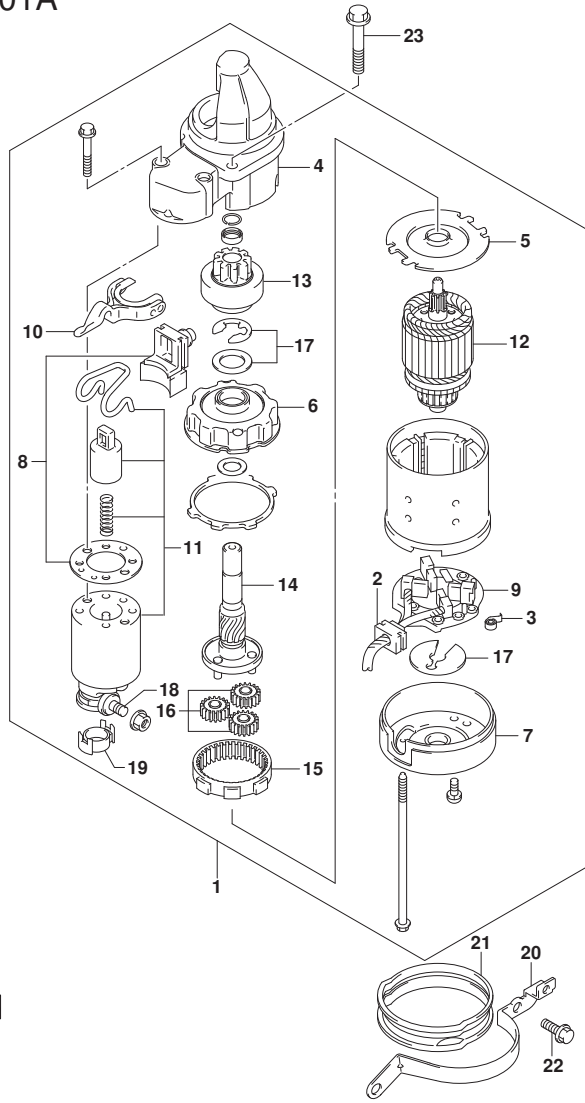


FIG.301A (1-F-4) STARTING MOTOR

REF NO.	PART NO.	DESCRIPTION	Q'TY	REMARKS
1	31100-96J02	STARTING MOTOR	1	
2	31131-90J01	.BRUSH SET, PLUS	1	
3	31135-90J00	.SPRING	4	
4	31151-94J01	.CASE, GEAR	1	
5	31152-90J00	.PLATE, CENTER	1	
6	31153-90J00	.BRACKET, PLANET GEAR	1	
7	31170-90J00	.COVER REAR	1	
8	31171-96J00	.COVER KIT, DUST	1	
9	31173-90J02	.HOLDER, BRUSH	1	
10	31191-96J00	.LEVER, SHIFT	1	
11	31220-94J00	.SWITCH, MAGNETO	1	
12	31310-90J00	.ARMATURE	1	
13	31320-93J00	.PINION	1	
14	31341-93J00	.SHAFT, PINION	1	
15	31343-90J00	.INTERNAL GEAR	1	
16	31344-90J00	.GEAR, PLANETARY	3	
17	31360-93J01	.WASHER SET	1	
18	31913-93J00	.TERMINAL	1	
19	31914-93J00	.CAP, TERMINAL	1	
20	31912-96J00	BAND, STARTING MOTOR	1	
21	31918-90J10	DAMPER, LOWER	1	
22	01550-08207	BOLT	2	
23	01550-08357	BOLT	2	

FIG.303A

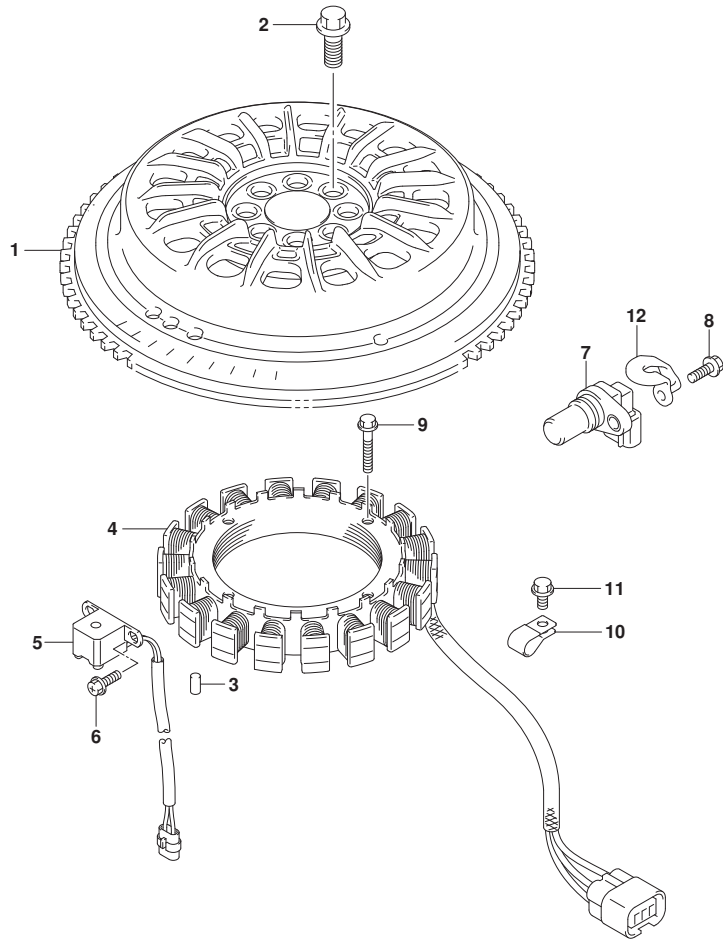


FIG.303A (1-F-5) MAGNETO

REF NO.	PART NO.	DESCRIPTION	Q'TY	REMARKS
1	32102-96J10	FLYWHEEL	1	
2	09103-12125	BOLT (12X26)	8	
3	09202-06031	PIN (6X12)	1	
4	32120-96J00	COIL, BATTERY CHARGING	1	
5	32160-88L00	COIL, IGNITION TIMING	1	
6	09106-05030	BOLT (5X10)	2	
7	33220-64L10	SENSOR, CAM POSITION	2	
8	01550-06167	BOLT	2	
9	09103-06231	BOLT (6X35)	4	
10	09403-13408	CLAMP	1	
11	01550-06127	BOLT	1	
12	11185-96L00	COVER, SENSOR	1	



FIG.310A

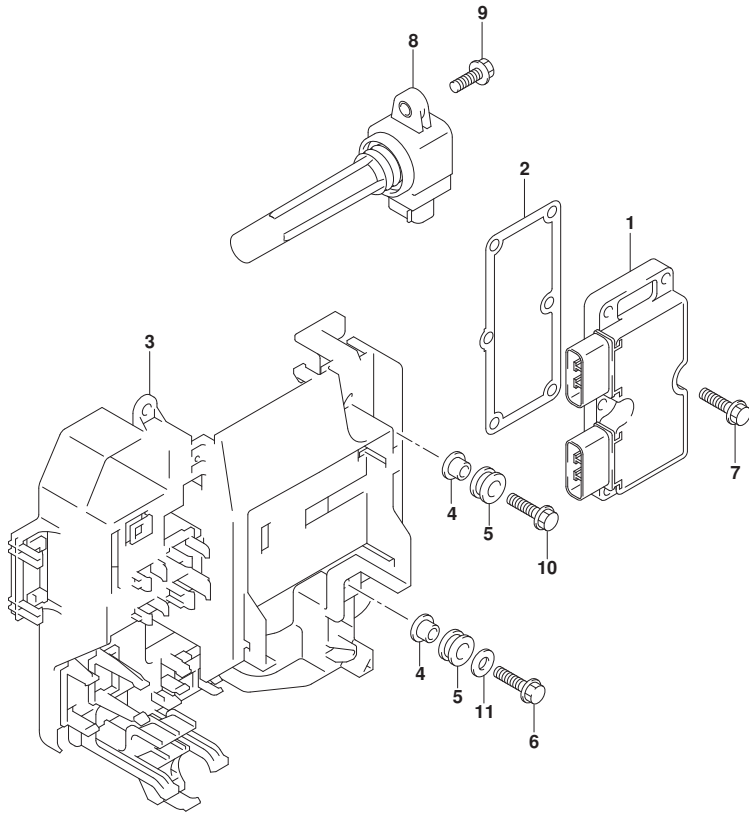


FIG.310A (1-F-6) RECTIFIER/IGNITION COIL

REF NO.	PART NO.	DESCRIPTION	Q'TY	REMARKS
1	32800-96J00	RECTIFIER & REGULATOR ASSY	1	
2	32805-96J00	GASKET, RECTIFIER & REGULATOR	1	
3	32890-96L00	HOLDER, ELECTRIC PARTS	1	
4	09169-06062	WASHER	2	
5	09320-09016	CUSHION	4	
6	01550-06257	BOLT	1	
7	01550-06257	BOLT	6	
8	33410-96L00	COIL ASSY, IGNITION	4	
9	01550-06207	BOLT	4	
10	09116-06202	BOLT (6X25)	1	
11	09160-06084	WASHER (6.5X18X1.6)	1	



FIG.315A

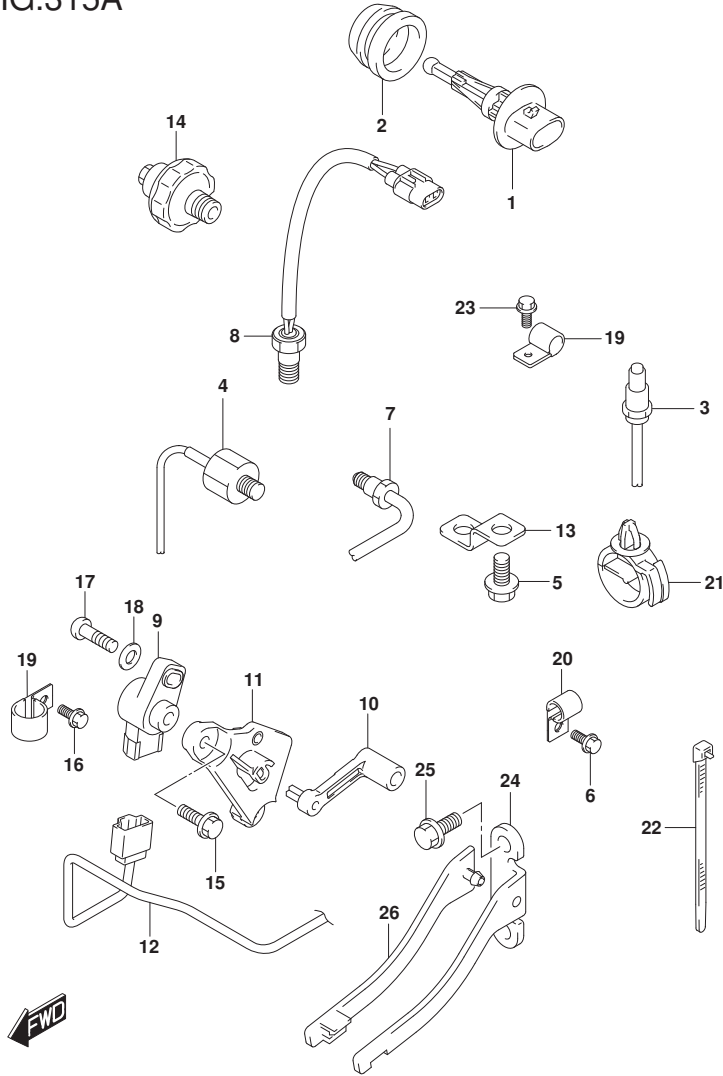


FIG.315A (1-F-7) SENSOR

REF NO.	PART NO.	DESCRIPTION	Q'TY	REMARKS
1	13650-52G00	SENSOR, INLET AIR TEMP	1	
2	13655-87J00	GROMMET, AIR TEMP SENSOR	1	
3	18213-98J10	SENSOR, OXYGEN	1	
4	18640-78G00	SENSOR ASSY, KNOCK	1	
5	29103-93J00	BOLT, PTT CABLE CLIP BRACKET (6X12)	1	
6	29103-93J00	BOLT, PTT CABLE CLAMP (6X12)	1	
7	34830-87J20	SENSOR ASSY, EXHAUST TEMP	1	
8	34830-87J20	SENSOR ASSY, CYLINDER TEMP	1	
9	34840-98J11	SENSOR ASSY, TRIM	1	
10	34841-96J00	LEVER, TRIM SENSOR	1	
11	34845-96J00	BRACKET, TRIM SENSOR	1	
12	36611-96J00	WIRE, TRIM SENSOR	1	
13	36617-93J10	BRACKET, PTT CABLE CLIP	1	
14	37820-99E01	SWITCH ASSY, OIL PRESSURE	1	
15	09103-06093	BOLT (6X20)	2	
16	09103-06307	BOLT (6X10)	1	
17	09125-05048	SCREW (5X16)	1	
18	09160-05029	WASHER (5.5X12X0.8)	1	
19	09403-13408	CLAMP	2	
20	09403-19409	CLAMP	1	
21	09403-20307	CLAMP	1	
22	09407-14407	CLAMP (L:145)	2	
23	01550-06127	BOLT	1	
24	43117-96J00	CAM, TRIM SENDER	1	
25	09116-05010	BOLT (5X12)	2	
26	43118-96J00	PLATE, TRIM SENDER CAM	1	

FIG.322A

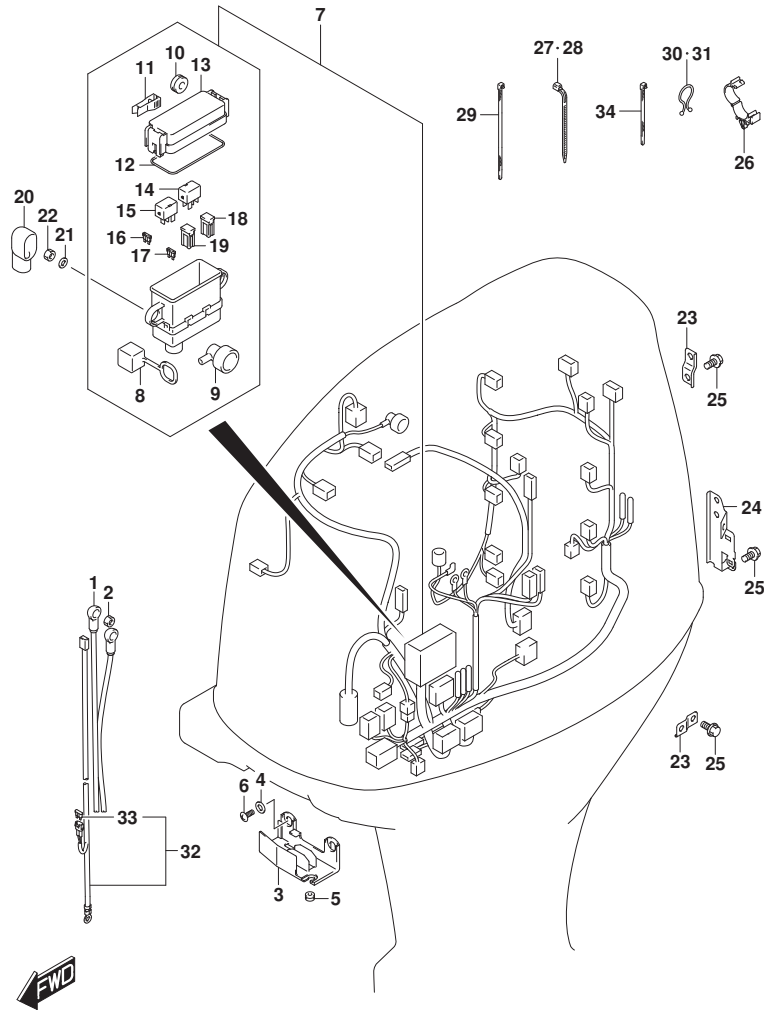


FIG.322A (1-F-8) HARNESS

REF NO.	PART NO.	DESCRIPTION	Q'TY	REMARKS
1	33810-96L00	CABLE ASSY, STARTER MOTOR	1	
2	08316-10087	NUT	1	
3	36616-96J00	HOLDER, CABLE	1	
4	09169-06053	WASHER	2	
5	09320-04009	BUSH	2	
6	02142-06167	SCREW	2	
7	36610-96L00	HARNESS ASSY, WIRING	1	
8	33634-96J00	.CAP, SERVICE CONNECTOR	1	
9	36618-43410	.CAP, OIL PRESSURE SWITCH	1	
10	09320-08021	.CUSHION	2	
11	36737-96J00	.PULLER, FUSE	1	
12	36721-96J00	.O RING, UPPER COVER	1	
13	36738-96J00	.COVER, FUSE CASE UPPER	1	
14	38860-76F01	.RELAY, MAIN	1	
15	38860-76F01	.RELAY, STARTER	1	
16	09481-10501	.FUSE (10A)	3	
17	09481-30501	.FUSE (30A)	3	
18	09481-30401	.FUSE (30A)	1	
19	09481-60401	.FUSE (60A)	2	
20	36612-96J00	CAP, TERMINAL	1	
21	08310-00067	NUT	1	
22	08321-01067	WASHER	1	
23	36617-93J00	BRACKET, HARNESS	2	
24	36617-96J00	BRACKET, HARNESS	1	
25	01550-06127	BOLT	4	
26	09403-18409	CLAMP	1	
27	09407-18402	CLAMP (L:165)	2	
28	09407-14403	CLAMP (L:125)	1	
29	09407-14407	CLAMP (L:145)	3	
30	09408-00008	CLIP (ID:20)	3	
31	09408-00012	CLIP (ID:11.5)	1	
32-1	36625-93J00	LEAD, BATTERY	1	L:3900
32-2	36625-93J10	LEAD, BATTERY	1	OPT L:6700

FIG.322A

FIG.322A (1-F-9) HARNESS

REF NO.	PART NO.	DESCRIPTION	Q'TY	REMARKS
33	09481-15501	.FUSE (15A)	1	
34	09407-10404	CLAMP (L:100)	2	

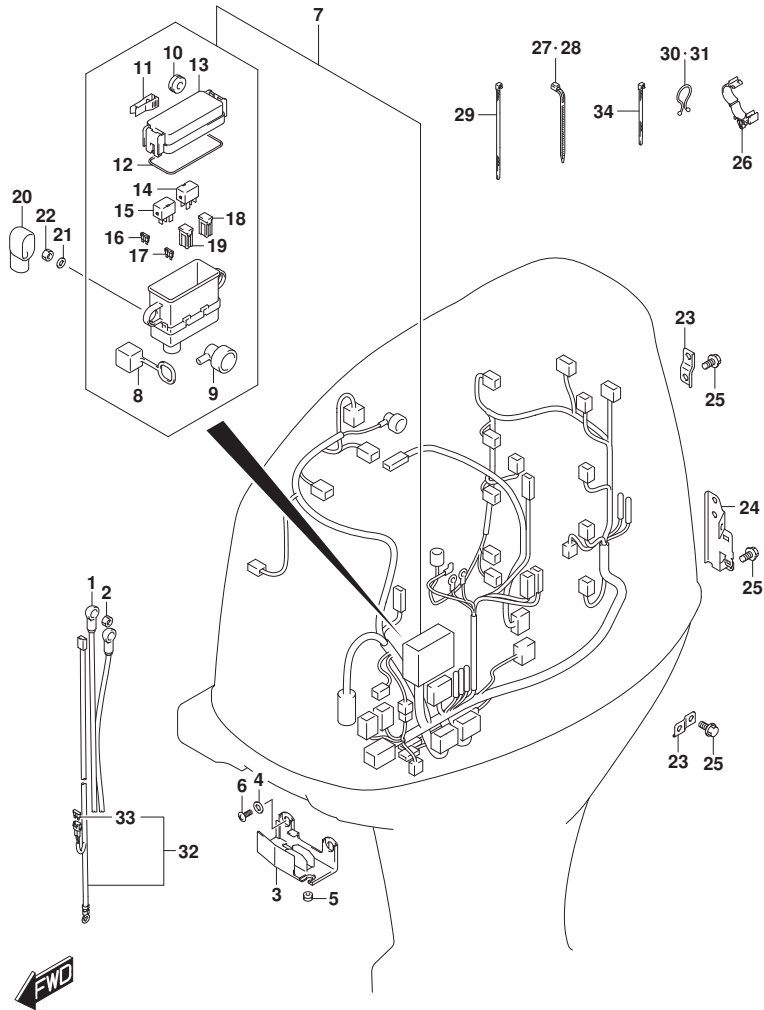


FIG.326A

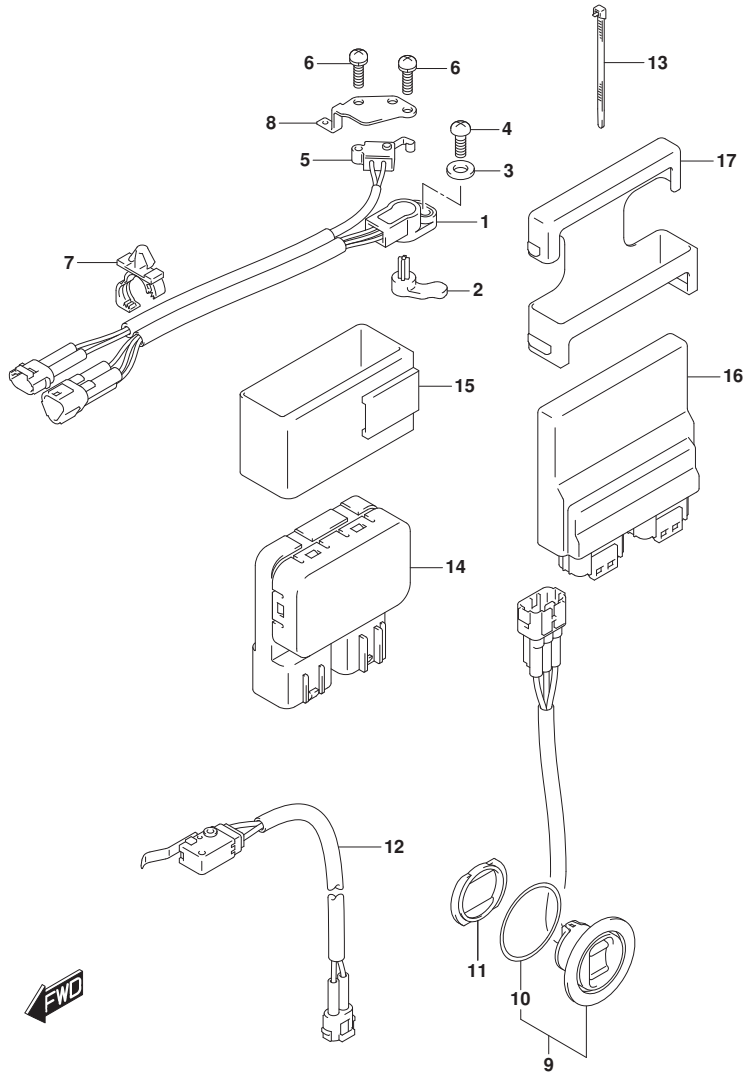


FIG.326A (1-F-10) PTT SWITCH/ENGINE CONTROL UNIT

REF NO.	PART NO.	DESCRIPTION	Q'TY	REMARKS
1	13580-93J02	SENSOR ASSY, SHIFT POSITION	1	
2	37729-93J00	LEVER, SHIFT SENSOR	1	
3	09160-05029	WASHER (5.5X12X0.8)	1	
4	02112-35167	SCREW	1	
5	37721-93J00	SWITCH ASSY, NEUTRAL	1	
6	09137-04004	SCREW (4X16)	2	
7	09403-12412	CLAMP	2	
8	37725-96J00	BRACKET, SWITCH ASSY	1	
9	37850-92J00	SWITCH ASSY, PTT	1	
10	37856-92J00	.TAPE, PTT SWITCH	1	
11	37857-92J00	BUSH, PTT SWITCH	1	
12	37722-93J11	SWITCH ASSY, TILT LIMIT	1	
13	09407-14407	CLAMP (L:145)	1	
14	38410-93J20	RELAY ASSY, PTT	1	
15	38415-93J20	HOLDER, PTT RELAY	1	
16	33920-96L00	UNIT, ENGINE CONTROL	1	
17	33925-88L10	CUSHION, ENGINE CONTROL UNIT	1	

FIG.335A

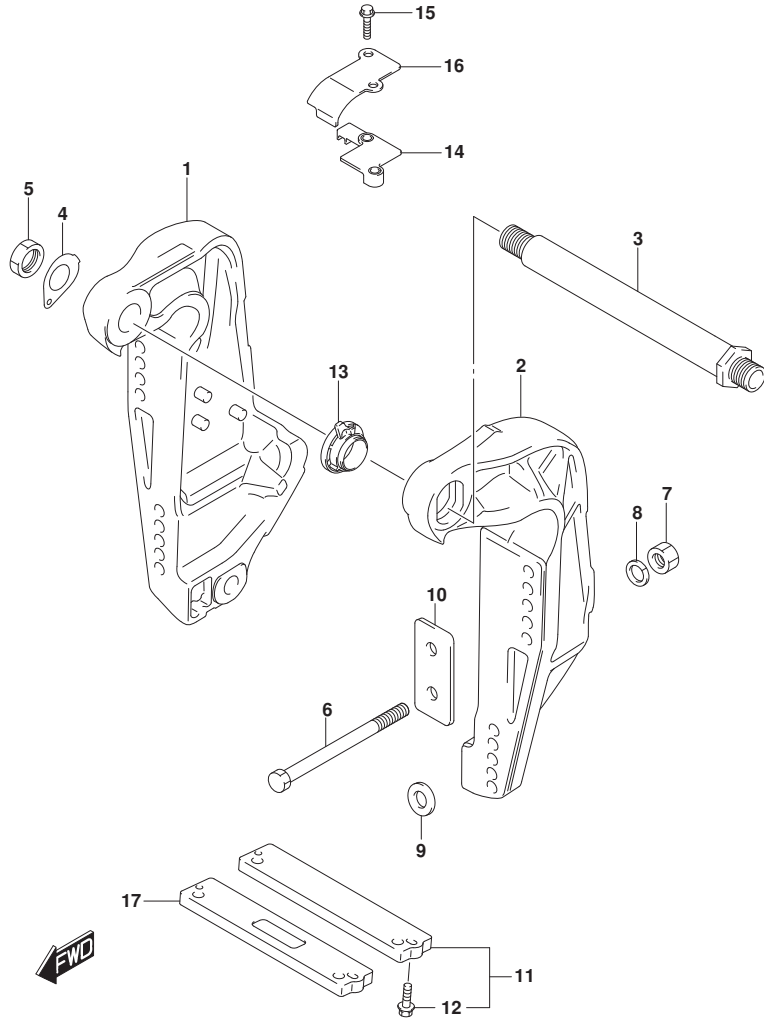


FIG.335A (1-F-11) CLAMP BRACKET

REF NO.	PART NO.	DESCRIPTION	Q'TY	REMARKS
1-1	41111-96J21-0EP	BRACKET, CLAMP STBD (BLACK)	1	
1-2	41111-96J21-Y5S	BRACKET, CLAMP STBD (WHITE)	1	
2-1	41121-96J12-0EP	BRACKET, CLAMP PORT (BLACK)	1	
2-2	41121-96J12-Y5S	BRACKET, CLAMP PORT (WHITE)	1	
3	41130-92J03	SHAFT, CLAMP BRKT	1	
4	41135-92J00	WASHER, CLAMP BRACKET SHAFT	1	
5	09159-22006	NUT	1	
6-1	09100-12086	BOLT (12.7X150)	6	
6-2	09100-12085	BOLT (12.7X115)	1	OPT
6-3	09100-12092	BOLT (12.7X75)	1	OPT
7	09159-12062	NUT	6	
8	09160-13021	WASHER (13.2X26X3)	6	
9	09160-13022	WASHER (13.2X45X3)	4	
10	41155-93J02	PLATE, TRANSOM	2	
11	55320-94900	ZINC SET, PROTECTION	1	
12	09116-06121	.BOLT (6X25)	2	
13	48140-93J01	CAM, TILT LIMIT SWITCH	1	
14	48144-93J00	HOLDER, TILT LIMIT SWITCH	1	
15	09103-06278	BOLT (6X25)	2	
16	48145-93J00	COVER, TILT LIMIT SWITCH	1	
17	55321-94910	ANODE (MAGNESIUM)	1	OPT

FIG.336A

FIG.336A (1-F-12) SWIVEL BRACKET (DF200AT E01)

REF NO.	PART NO.	DESCRIPTION	Q'TY	REMARKS
1	22511-99011	NIPPLE, GREASE	4	
2	36894-87D00	LEAD (SWIVEL TO MOUNT BRKT)	1	
3-1	43111-96J00-0EP	BRACKET, SWIVEL (L) (BLACK)	1	W/TRANSOM(L)
3-2	43111-96J00-Y5S	BRACKET, SWIVEL (L) (WHITE)	1	W/TRANSOM(L)
3-3	43111-96J10-0EP	BRACKET, SWIVEL (X) (BLACK)	1	W/TRANSOM(X)
3-4	43111-96J10-Y5S	BRACKET, SWIVEL (X) (WHITE)	1	W/TRANSOM(X)
4	43211-93J00	BUSH, CLAMP SHAFT SWIVEL	2	
5	43711-97E01	BUSH, STEERING	2	
6-1	43750-96J50-0EP	BRACKET, STEERING (L) (BLACK)	1	W/TRANSOM(L)
6-2	43750-96J50-Y5S	BRACKET, STEERING (L) (WHITE)	1	W/TRANSOM(L)
6-3	43750-96J60-0EP	BRACKET, STEERING (X) (BLACK)	1	W/TRANSOM(X)
6-4	43750-96J60-Y5S	BRACKET, STEERING (X) (WHITE)	1	W/TRANSOM(X)
7	09125-06063	SCREW (6X10)	2	
8	09160-39001	WASHER (39.5X64X1)	2	
9	09181-39001	SHIM (39.5X64X0.3)	4	
10	09380-38003	CIRCLIP	1	
11	09169-28003	WASHER	2	
12	09282-39001	OIL SEAL (39X51X5)	1	
13-1	55321-87J00	ANODE, PROTECTION	1	
13-2	55321-87J10	ANODE (MAGNESIUM)	1	OPT
14	09103-06281	BOLT (6X14)	1	
15	41220-96J10	LEVER, TILT LOCK	1	
16	41234-96J10	LEVER, TILT LOCK PORT	1	
17	41224-95E01	BUSH, TILT STOPPER ROD	2	
18	41230-96J00	LINK, TILT LOCK LEVER	1	
19	41233-95E10	BRACKET, TILT LOCK SPRING	1	
20	09125-06063	SCREW (6X10)	1	
21	09140-10032	NUT	1	
22	09160-06082	WASHER (6.5X13X1.0)	1	
23	09204-01006	PIN	1	
24	09440-19028	SPRING	1	
25	09443-10043	SPRING	1	
26	36894-87D00	LEAD (SWIVEL TO MOUNT BRACKET)	1	
27	09125-06063	SCREW (6X10)	2	

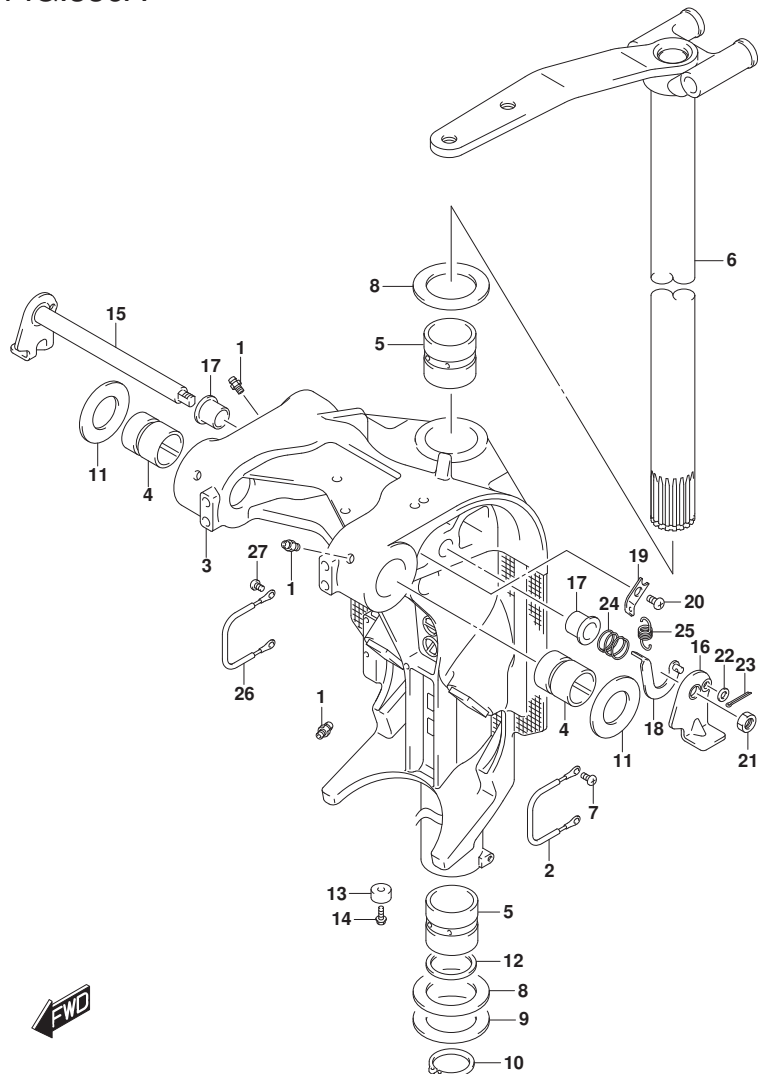


FIG.336B

FIG.336B (1-F-13) SWIVEL BRACKET (DF200AT E40)

REF NO.	PART NO.	DESCRIPTION	Q'TY	REMARKS
1	22511-99011	NIPPLE, GREASE	4	
2	36894-87D00	LEAD (SWIVEL TO MOUNT BRKT)	1	
3-1	43111-96J00-0EP	BRACKET, SWIVEL (L) (BLACK)	1	W/TRANSOM(L)
3-2	43111-96J00-Y5S	BRACKET, SWIVEL (L) (WHITE)	1	W/TRANSOM(L)
3-3	43111-96J10-0EP	BRACKET, SWIVEL (X) (BLACK)	1	W/TRANSOM(X)
3-4	43111-96J10-Y5S	BRACKET, SWIVEL (X) (WHITE)	1	W/TRANSOM(X)
4	43211-93J00	BUSH, CLAMP SHAFT SWIVEL	2	
5	43711-97E01	BUSH, STEERING	2	
6-1	43750-96J50-0EP	BRACKET, STEERING (L) (BLACK)	1	W/TRANSOM(L)
6-2	43750-96J50-Y5S	BRACKET, STEERING (L) (WHITE)	1	W/TRANSOM(L)
6-3	43750-96J60-0EP	BRACKET, STEERING (X) (BLACK)	1	W/TRANSOM(X)
6-4	43750-96J60-Y5S	BRACKET, STEERING (X) (WHITE)	1	W/TRANSOM(X)
7	09125-06063	SCREW (6X10)	2	
8	09160-39001	WASHER (39.5X64X1)	2	
9	09181-39001	SHIM (39.5X64X0.3)	4	
10	09380-38003	CIRCLIP	1	
11	09169-28003	WASHER	2	
12	09282-39001	OIL SEAL (39X51X5)	1	
13-1	55321-87J00	ANODE, PROTECTION	1	
13-2	55321-87J10	ANODE (MAGNESIUM)	1	OPT
14	09103-06281	BOLT (6X14)	1	
15	41220-96J10	LEVER, TILT LOCK	1	
16	41234-96J10	LEVER, TILT LOCK PORT	1	
17	41224-95E01	BUSH, TILT STOPPER ROD	2	
18	41230-96J00	LINK, TILT LOCK LEVER	1	
19	41233-95E10	BRACKET, TILT LOCK SPRING	1	
20	09125-06063	SCREW (6X10)	1	
21	09140-10032	NUT	1	
22	09160-06082	WASHER (6.5X13X1.0)	1	
23	09204-01006	PIN	1	
24	09440-19028	SPRING	1	
25	09443-10043	SPRING	1	
26	36894-87D00	LEAD (SWIVEL TO MOUNT BRACKET)	1	
27	09125-06063	SCREW (6X10)	2	

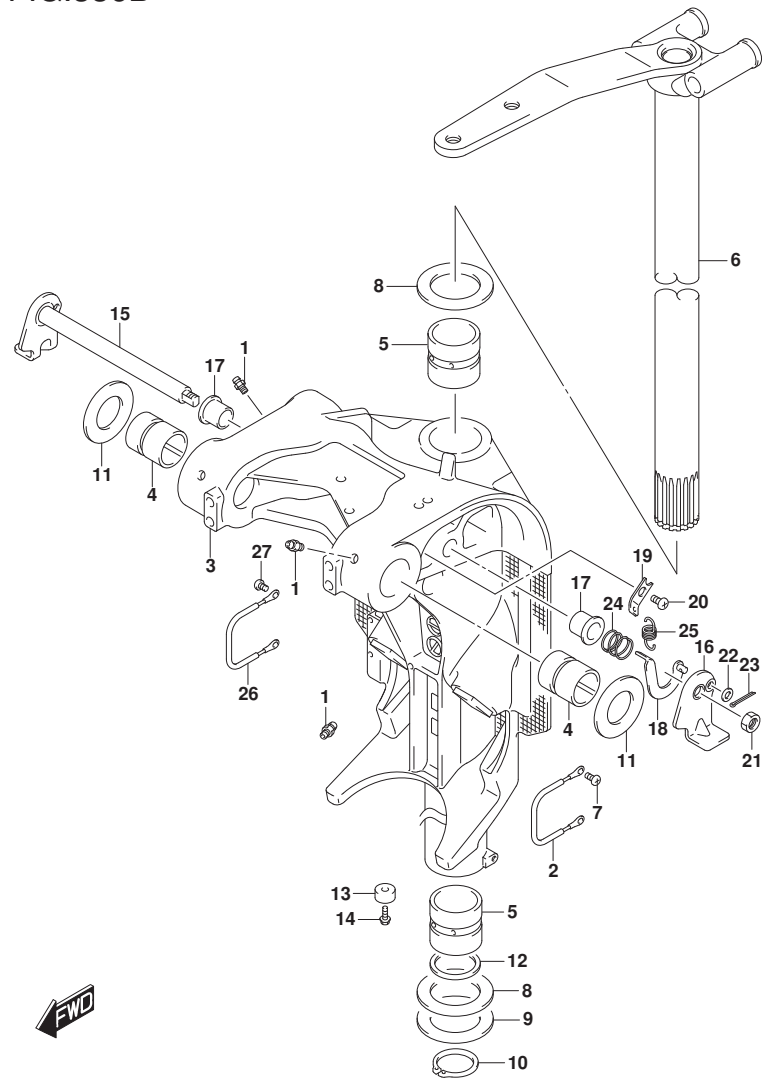


FIG.336C

FIG.336C (1-F-14) SWIVEL BRACKET (DF200AZ E01)

REF NO.	PART NO.	DESCRIPTION	Q'TY	REMARKS
1	22511-99011	NIPPLE, GREASE	4	
2	36894-87D00	LEAD (SWIVEL TO MOUNT BRKT)	1	
3-1	43111-96J10-0EP	BRACKET, SWIVEL (X) (BLACK)	1	
3-2	43111-96J10-Y5S	BRACKET, SWIVEL (X) (WHITE)	1	
4	43211-93J00	BUSH, CLAMP SHAFT SWIVEL	2	
5	43711-97E01	BUSH, STEERING	2	
6-1	43750-96J60-0EP	BRACKET, STEERING (X) (BLACK)	1	
6-2	43750-96J60-Y5S	BRACKET, STEERING (X) (WHITE)	1	
7	09125-06063	SCREW (6X10)	2	
8	09160-39001	WASHER (39.5X64X1)	2	
9	09181-39001	SHIM (39.5X64X0.3)	4	
10	09380-38003	CIRCLIP	1	
11	09169-28003	WASHER	2	
12	09282-39001	OIL SEAL (39X51X5)	1	
13-1	55321-87J00	ANODE, PROTECTION	1	
13-2	55321-87J10	ANODE (MAGNESIUM)	1	OPT
14	09103-06281	BOLT (6X14)	1	
15	41220-96J10	LEVER, TILT LOCK	1	
16	41234-96J10	LEVER, TILT LOCK PORT	1	
17	41224-95E01	BUSH, TILT STOPPER ROD	2	
18	41230-96J00	LINK, TILT LOCK LEVER	1	
19	41233-95E10	BRACKET, TILT LOCK SPRING	1	
20	09125-06063	SCREW (6X10)	1	
21	09140-10032	NUT	1	
22	09160-06082	WASHER (6.5X13X1.0)	1	
23	09204-01006	PIN	1	
24	09440-19028	SPRING	1	
25	09443-10043	SPRING	1	
26	36894-87D00	LEAD (SWIVEL TO MOUNT BRACKET)	1	
27	09125-06063	SCREW (6X10)	2	

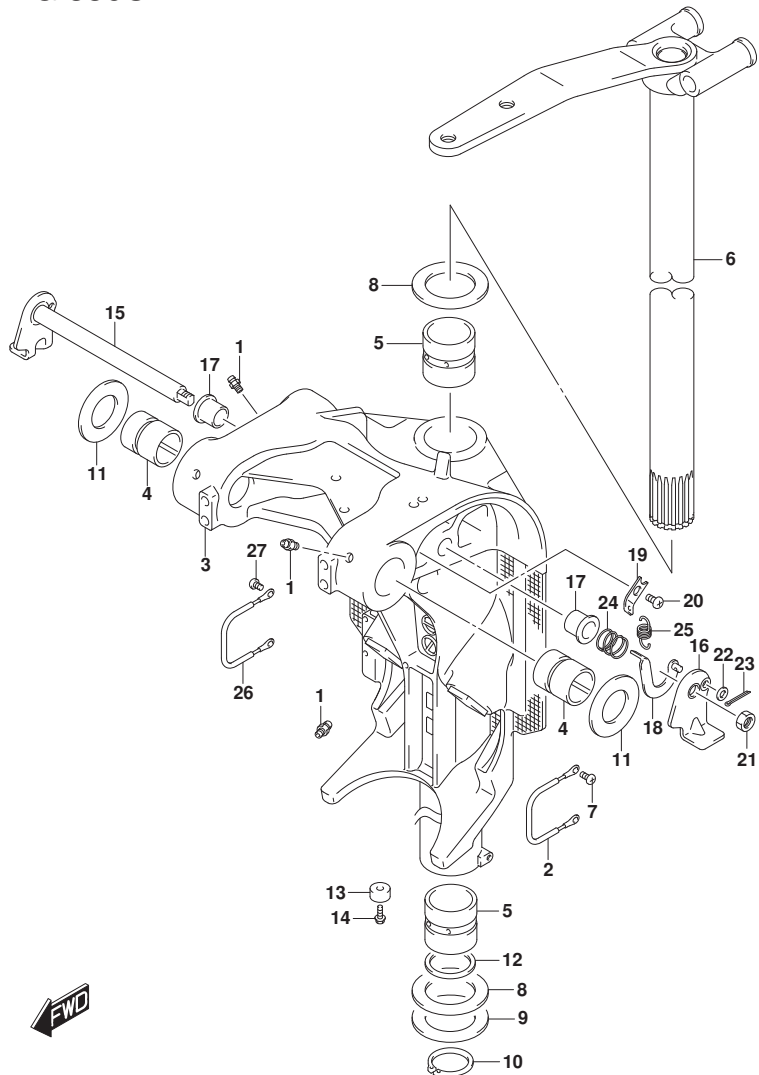


FIG.336D

FIG.336D (1-F-15) SWIVEL BRACKET (DF200AZ E40)

REF NO.	PART NO.	DESCRIPTION	Q'TY	REMARKS
1	22511-99011	NIPPLE, GREASE	4	
2	36894-87D00	LEAD (SWIVEL TO MOUNT BRKT)	1	
3-1	43111-96J10-0EP	BRACKET, SWIVEL (X) (BLACK)	1	
3-2	43111-96J10-Y5S	BRACKET, SWIVEL (X) (WHITE)	1	
4	43211-93J00	BUSH, CLAMP SHAFT SWIVEL	2	
5	43711-97E01	BUSH, STEERING	2	
6-1	43750-96J60-0EP	BRACKET, STEERING (X) (BLACK)	1	
6-2	43750-96J60-Y5S	BRACKET, STEERING (X) (WHITE)	1	
7	09125-06063	SCREW (6X10)	2	
8	09160-39001	WASHER (39.5X64X1)	2	
9	09181-39001	SHIM (39.5X64X0.3)	4	
10	09380-38003	CIRCLIP	1	
11	09169-28003	WASHER	2	
12	09282-39001	OIL SEAL (39X51X5)	1	
13-1	55321-87J00	ANODE, PROTECTION	1	
13-2	55321-87J10	ANODE (MAGNESIUM)	1	OPT
14	09103-06281	BOLT (6X14)	1	
15	41220-96J10	LEVER, TILT LOCK	1	
16	41234-96J10	LEVER, TILT LOCK PORT	1	
17	41224-95E01	BUSH, TILT STOPPER ROD	2	
18	41230-96J00	LINK, TILT LOCK LEVER	1	
19	41233-95E10	BRACKET, TILT LOCK SPRING	1	
20	09125-06063	SCREW (6X10)	1	
21	09140-10032	NUT	1	
22	09160-06082	WASHER (6.5X13X1.0)	1	
23	09204-01006	PIN	1	
24	09440-19028	SPRING	1	
25	09443-10043	SPRING	1	
26	36894-87D00	LEAD (SWIVEL TO MOUNT BRACKET)	1	
27	09125-06063	SCREW (6X10)	2	

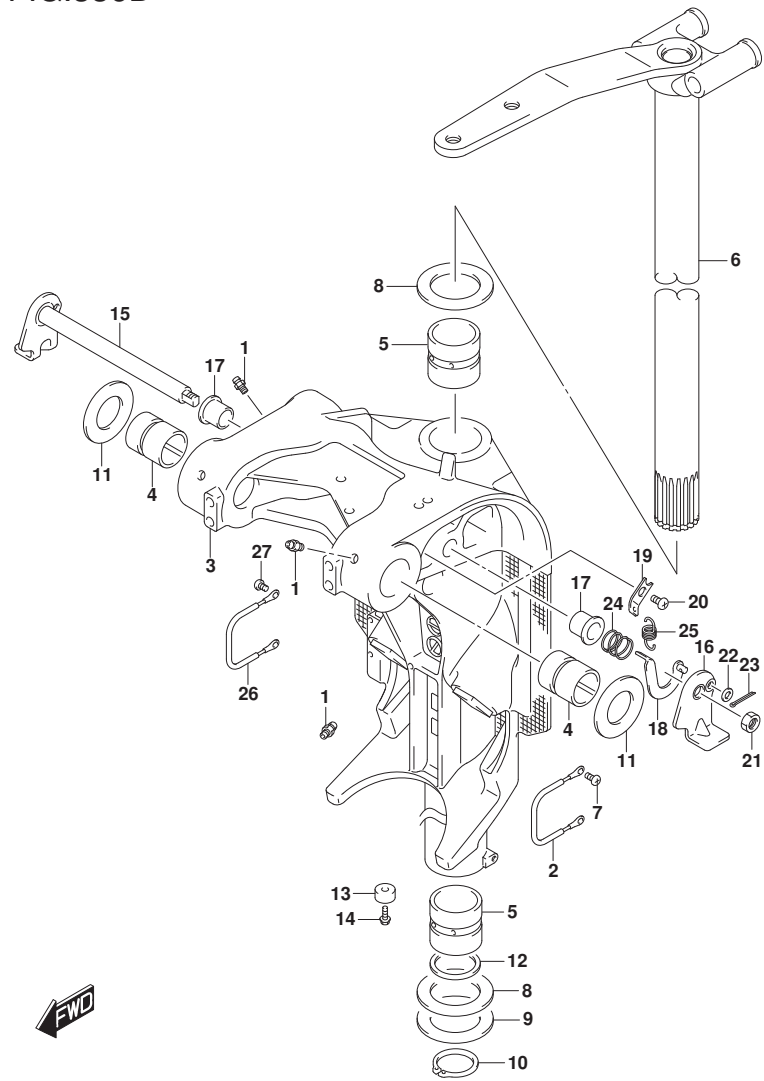


FIG.337A

FIG.337A (1-G-2) TRIM CYLINDER

REF NO.	PART NO.	DESCRIPTION	Q'TY	REMARKS
1	48000-96J05	TRIM ASSY, POWER WITH TILT	1	
2	29404-93J10	..CLAMP	1	
3	31281-92J10	..BOLT	4	
4	38100-96J01	..MOTOR ASSY, PTT	1	
5	48502-96J05	..PUMP ASSY	1	
6	48503-96J03	..MANIFOLD SUB ASSY	1	
7	48401-96J01	..PISTON ASSY	1	
8	48601-94900	..PISTON / RAM ASSY	2	
9	48627-95E00	..O RING SET	3	
10	48630-96J02	..HEAD, TRIM CYLINDER	2	
11	48633-94900	..O RING SET (2PCS)	2	
12	48641-96J02	..MANIFOLD, PTT	1	
13	48650-94900	..PISTON, FREE	1	
14	48405-87D00	...O RING	1	
15	48615-97E00	...RING SET, PISTON	1	
16	48570-95E01	..RESERVOIR	1	
17	48572-95E00	..CAP	1	
18	48583-95E00	..JOINT, DRIVE	1	
19	48585-95E00	..O RING	1	
20	48588-94900	..O RING SET (6PCS)	1	
21	48861-92J01	..BOLT, RESERVOIR	3	
22	48862-92J20	..BOLT	1	
23	48862-92J30	..BOLT	2	
24	48121-92J00	SHAFT, TILT CYLINDER LOWER	1	
25	48311-96J20	PAD, TRIM CYLINDER RAM	2	
26	48321-87D03	SHAFT, TILT CYLINDER UPPER	1	
27	48326-95E00	BUSH, TILT CYLINDER LOWER	2	
28	09116-10179	BOLT (10X35)	2	
29	29141-93J20	NUT, TRIM CYLINDER RAM (M10)	2	
30	09162-10005	LOCK WASHER	2	
31	09306-17001	BUSH	2	
32	09380-17009	CIRCLIP	2	
33	36894-87D00	LEAD, PTT TO ANODE (L:165)	1	
34	09125-06063	SCREW (6X10)	1	
35	36895-87D10	LEAD, PTT TO ANODE (L:310)	1	
36	09125-05050	SCREW (5X8)	1	

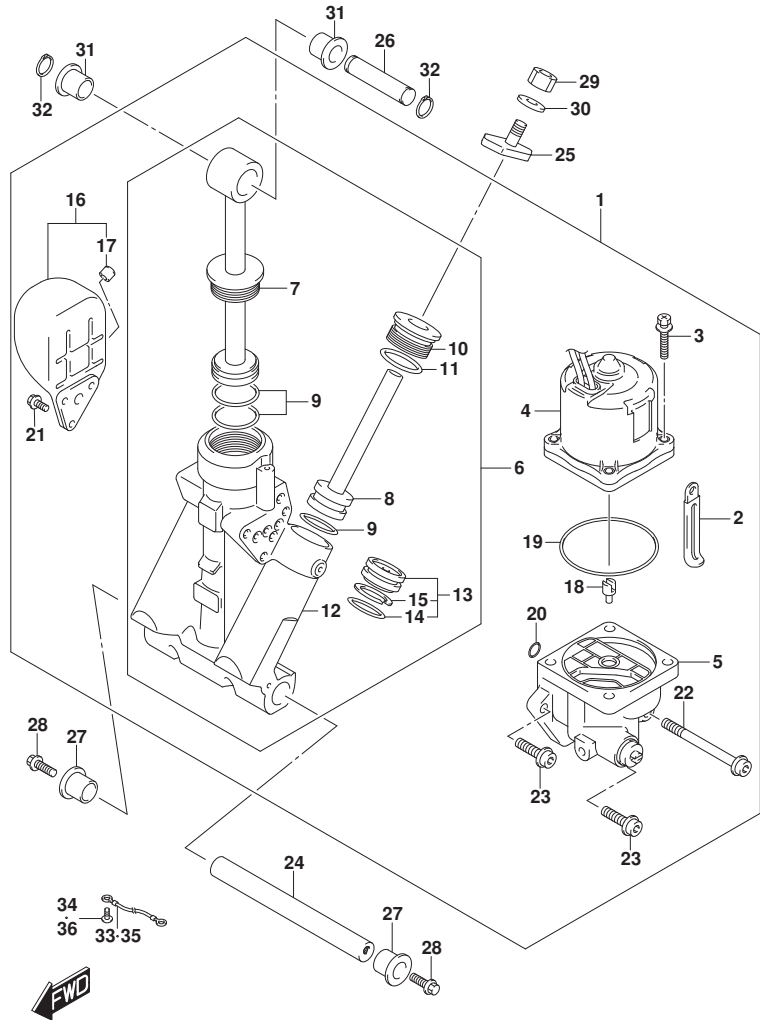


FIG.340A

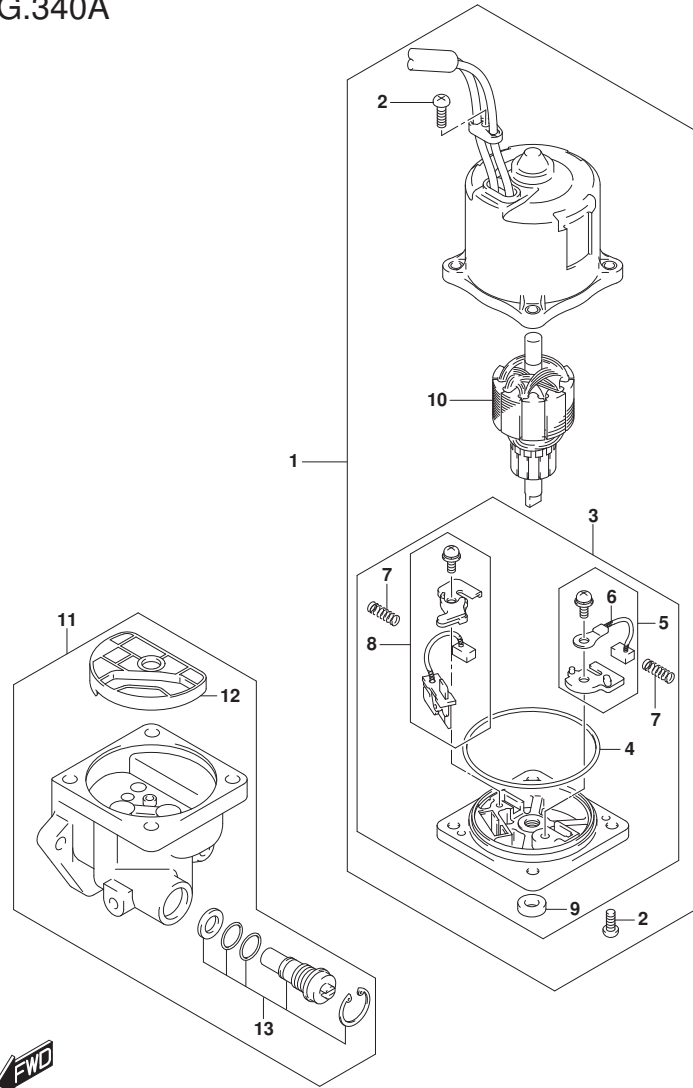
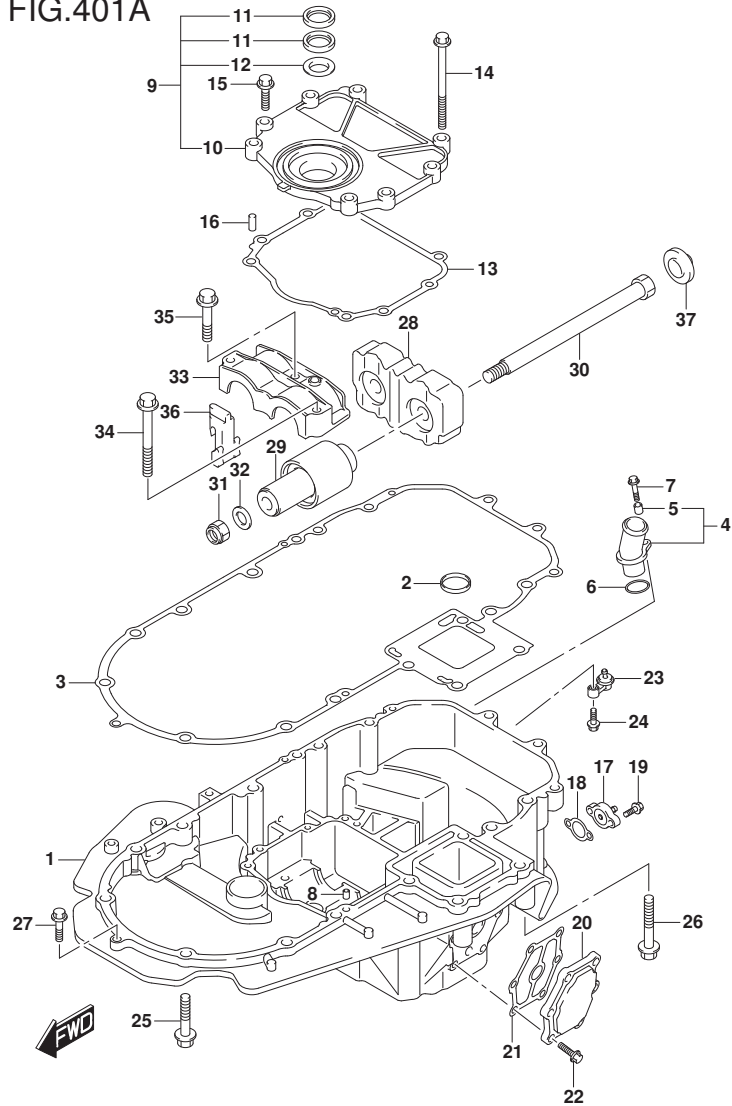


FIG.340A (1-G-3) PTT MOTOR

REF NO.	PART NO.	DESCRIPTION	QTY	REMARKS
1	38100-96J01	MOTOR ASSY, PTT	1	
2	31111-94900	.SCREW, YOKE	3	
3	31173-94910	.HOLDER, BRUSH	1	
4	31123-94910	..O RING	1	
5	31133-90J00	..BRUSH SET, PLUS	1	
6	31133-94900	...BRUSH, PLUS	1	
7	31135-94900	..SPRING	2	
8	31136-90J10	..BREAKER	1	
9	33799-97E00	..OIL SEAL	1	
10	31311-94900	..ARMATURE	1	
11	48502-96J05	PUMP ASSY	1	
12	48582-95E01	..FILTER	1	
13	48864-96J10	..VALVE, MANUAL	1	

FIG.401A



DF200A_E01_015_401A
ENGINE HOLDER

FIG.401A (1-G-4) ENGINE HOLDER

REF NO.	PART NO.	DESCRIPTION	Q'TY	REMARKS
1-1	51111-96J00-0EP	HOLDER, ENGINE (BLACK)	1	
1-2	51111-96J00-Y5S	HOLDER, ENGINE (WHITE)	1	
2	16519-93J00	SEAL, ENGINE HOLDER OIL	1	
3	51211-96J00	GASKET, ENGINE HOLDER	1	
4	51115-90J10	UNION, WATER RETURN	1	
5	09180-06289	.SPACER (6.5X10X11.5)	1	
6	09280-26006	O RING (D:3.1,ID:26.4)	1	
7	01550-06257	BOLT	1	
8	09206-08001	PIN (8X11)	2	
9	51120-96J01	COVER, MOUNT OIL SEAL	1	
10	51122-96J01	.COVER, MOUNT OIL SEAL	1	
11	51124-93J01	.OIL SEAL	2	
12	51125-93J00	.SCRAPER	1	
13	51123-96J01	GASKET, MOUNT OIL SEAL COVER	1	
14	09103-08109	BOLT (8X120)	1	
15	01550-0830A	BOLT	7	
16	09206-08001	PIN (8X11)	2	
17	51140-96J00	COVER, ENGINE HOLDER	1	
18	51142-96J00	GASKET, ENGINE HOLDER COVER	1	
19	01550-06207	BOLT	2	
20	51161-96J01	COVER, ENG HOLDER WATER JKT	1	
21	51162-96J00	GASKET, ENG HOLDER WTR JKT COV	1	
22	09103-06093	BOLT (6X20)	6	
23	51170-96J01	BRACKET, WATER INDICATOR	1	
24	09116-06121	BOLT (6X25)	1	
25	09116-10180	BOLT (10X50)	6	
26	09116-10137	BOLT (10X70)	2	
27	01550-08307	BOLT	1	
28	54121-96J01	MOUNT, UPPER THRUST	1	
29	54130-96J01	MOUNT, UPPER	2	
30	54112-96J01	BOLT, UPPER MOUNT (14X227)	2	

DF200A_E01_015

FIG.401A

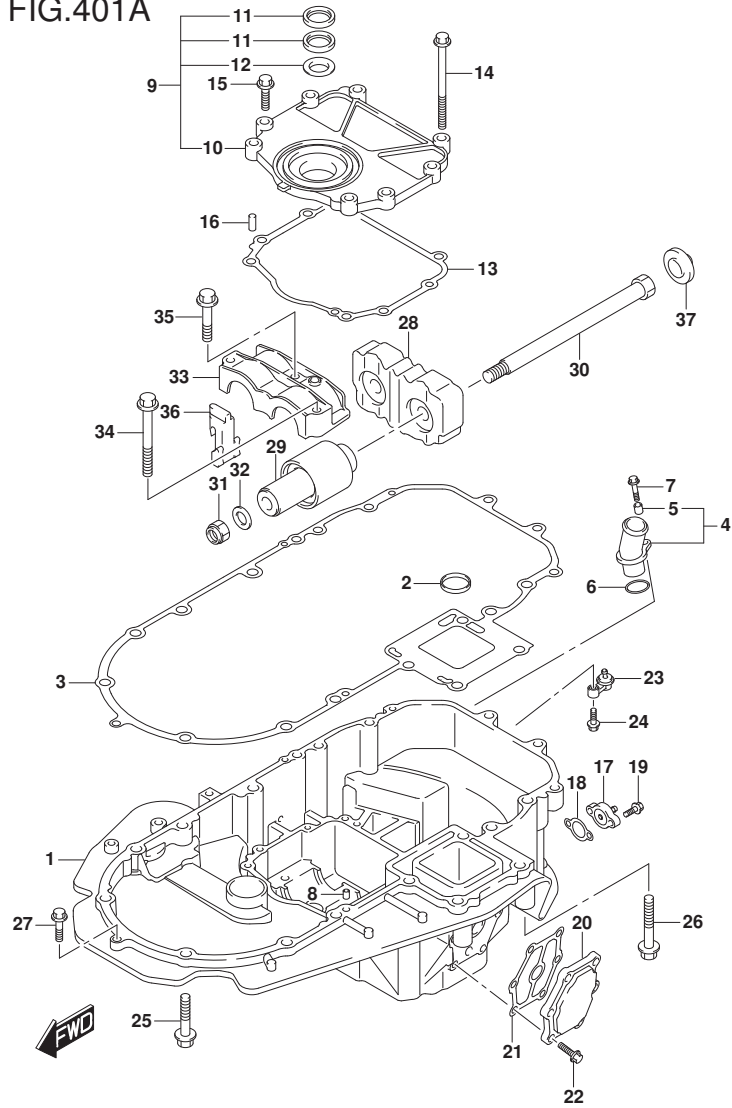


FIG.401A (1-G-5) ENGINE HOLDER

REF NO.	PART NO.	DESCRIPTION	Q'TY	REMARKS
31	09159-14026	NUT	2	
32	09160-15051	WASHER (15X24X3)	2	
33	54137-93J02	COVER, UPPER MOUNT	1	
34	09116-10135	BOLT (10X95)	1	
35	09116-10175	BOLT (10X50)	2	
36	54127-96J00	MOUNT, UPPER SIDE	2	
37	54122-96J00	SPACER, UPPER MOUNT THRUST	2	

FIG.405A

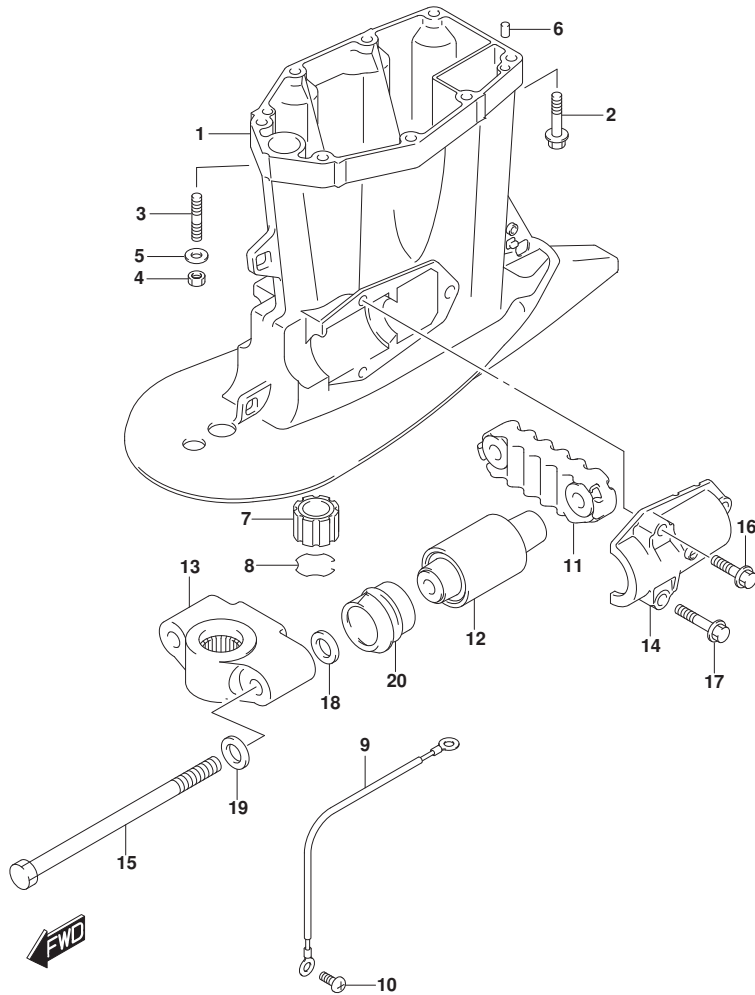
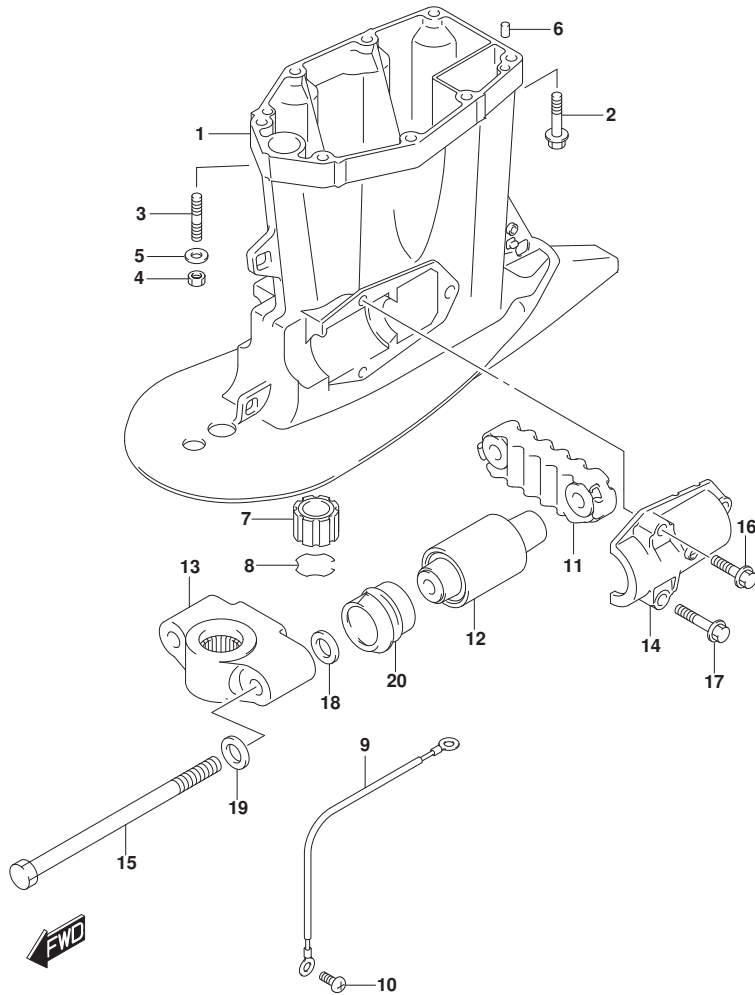


FIG.405A (1-G-6) DRIVE SHAFT HOUSING (DF200AT E01)

REF NO.	PART NO.	DESCRIPTION	Q'TY	REMARKS
1-1	52111-96J00-0EP	HOUSING, DRIVE SHAFT (L) (BLACK)	1	W/TRANSOM(L)
1-2	52111-96J00-Y5S	HOUSING, DRIVE SHAFT (L) (WHITE)	1	W/TRANSOM(L)
1-3	52111-96J10-0EP	HOUSING, DRIVE SHAFT (X) (BLACK)	1	W/TRANSOM(X)
1-4	52111-96J10-Y5S	HOUSING, DRIVE SHAFT (X) (WHITE)	1	W/TRANSOM(X)
2-1	09116-10181	BOLT (10X44)	6	W/TRANSOM(L)
2-2	09116-10181	BOLT (10X44)	8	W/TRANSOM(X)
3	09108-10150	STUD BOLT	2	W/TRANSOM(L)
4	29141-93J20	NUT, DRIVE SFT HSG STUD (M10)	2	W/TRANSOM(L)
5	09160-10141	WASHER (10.5X19X2)	2	W/TRANSOM(L)
6	09202-08006	PIN (8X12)	2	
7	57130-87D10	BUSH, DRIVE SHAFT	1	W/TRANSOM(X)
8	09387-38002	RING	1	W/TRANSOM(X)
9	36895-87D10	LEAD (SWIVEL TO HSG)	1	
10	09125-06063	SCREW (6X10)	1	
11	54151-96J01	MOUNT, LOWER THRUST	1	
12	54160-96J01	MOUNT, LOWER	2	
13-1	54211-96J01-0EP	BRACKET, LOWER MOUNT (BLACK)	1	
13-2	54211-96J01-Y5S	BRACKET, LOWER MOUNT (WHITE)	1	
14	54221-96J00	COVER, LOWER MOUNT	2	
15	09100-14004	BOLT (14X220)	2	
16	09116-10182	BOLT (10X35)	2	
17	09116-10180	BOLT (10X50)	4	
18	09160-16050	WASHER (16X32X3)	2	
19	09160-16050	WASHER (16X32X3)	2	
20	54167-96J00	MOUNT, LOWER SIDE	2	

FIG.405B

FIG.405B (1-G-7) DRIVE SHAFT HOUSING (DF200AT E40)



REF NO.	PART NO.	DESCRIPTION	Q'TY	REMARKS
1-1	52111-96J00-0EP	HOUSING, DRIVE SHAFT (L) (BLACK)	1	W/TRANSOM(L)
1-2	52111-96J00-Y5S	HOUSING, DRIVE SHAFT (L) (WHITE)	1	W/TRANSOM(L)
1-3	52111-96J10-0EP	HOUSING, DRIVE SHAFT (X) (BLACK)	1	W/TRANSOM(X)
1-4	52111-96J10-Y5S	HOUSING, DRIVE SHAFT (X) (WHITE)	1	W/TRANSOM(X)
2-1	09116-10181	BOLT (10X44)	6	W/TRANSOM(L)
2-2	09116-10181	BOLT (10X44)	8	W/TRANSOM(X)
3	09108-10150	STUD BOLT	2	W/TRANSOM(L)
4	29141-93J20	NUT, DRIVE SFT HSG STUD (M10)	2	W/TRANSOM(L)
5	09160-10141	WASHER (10.5X19X2)	2	W/TRANSOM(L)
6	09202-08006	PIN (8X12)	2	
7	57130-87D10	BUSH, DRIVE SHAFT	1	W/TRANSOM(X)
8	09387-38002	RING	1	W/TRANSOM(X)
9	36895-87D10	LEAD (SWIVEL TO HSG)	1	
10	09125-06063	SCREW (6X10)	1	
11	54151-96J01	MOUNT, LOWER THRUST	1	
12	54160-96J01	MOUNT, LOWER	2	
13-1	54211-96J01-0EP	BRACKET, LOWER MOUNT (BLACK)	1	
13-2	54211-96J01-Y5S	BRACKET, LOWER MOUNT (WHITE)	1	
14	54221-96J00	COVER, LOWER MOUNT	2	
15	09100-14004	BOLT (14X220)	2	
16	09116-10182	BOLT (10X35)	2	
17	09116-10180	BOLT (10X50)	4	
18	09160-16050	WASHER (16X32X3)	2	
19	09160-16050	WASHER (16X32X3)	2	
20	54167-96J00	MOUNT, LOWER SIDE	2	

FIG.405C

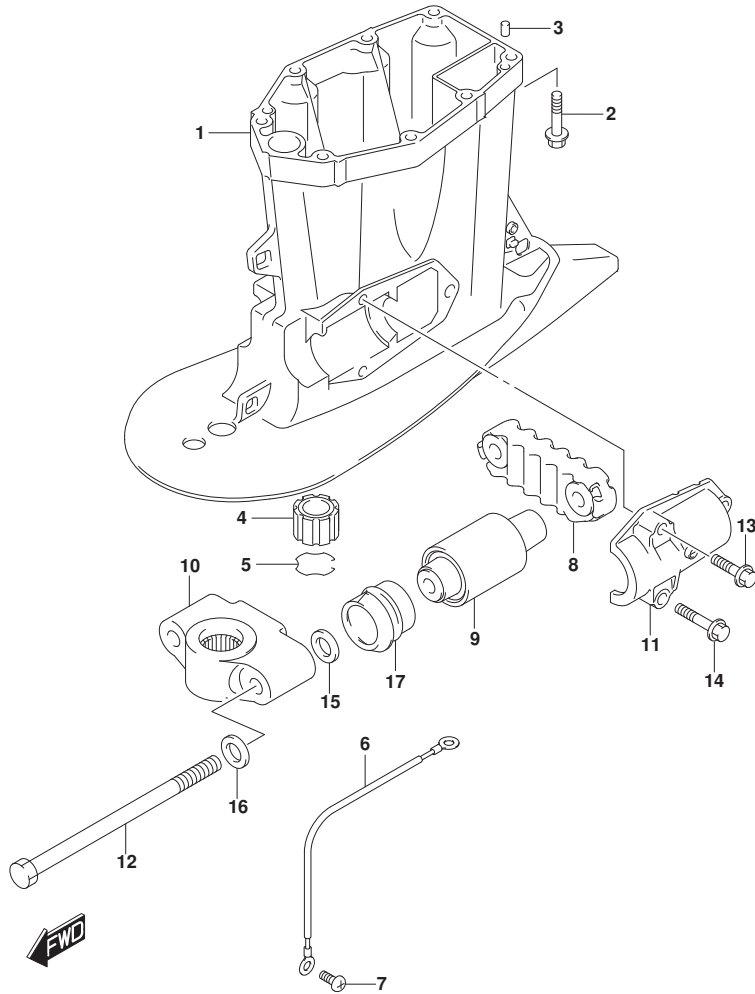


FIG.405C (1-G-8) DRIVE SHAFT HOUSING (DF200AZ E01)

REF NO.	PART NO.	DESCRIPTION	Q'TY	REMARKS
1-1	52111-96J10-0EP	HOUSING, DRIVE SHAFT (X) (BLACK)	1	
1-2	52111-96J10-Y5S	HOUSING, DRIVE SHAFT (X) (WHITE)	1	
2	09116-10181	BOLT (10X44)	8	
3	09202-08006	PIN (8X12)	2	
4	57130-87D10	BUSH, DRIVE SHAFT	1	
5	09387-38002	RING	1	
6	36895-87D10	LEAD (SWIVEL TO HSG)	1	
7	09125-06063	SCREW (6X10)	1	
8	54151-96J01	MOUNT, LOWER THRUST	1	
9	54160-96J01	MOUNT, LOWER	2	
10-1	54211-96J01-0EP	BRACKET, LOWER MOUNT (BLACK)	1	
10-2	54211-96J01-Y5S	BRACKET, LOWER MOUNT (WHITE)	1	
11	54221-96J00	COVER, LOWER MOUNT	2	
12	09100-14004	BOLT (14X220)	2	
13	09116-10182	BOLT (10X35)	2	
14	09116-10180	BOLT (10X50)	4	
15	09160-16050	WASHER (16X32X3)	2	
16	09160-16050	WASHER (16X32X3)	2	
17	54167-96J00	MOUNT, LOWER SIDE	2	

FIG.405D

FIG.405D (1-G-9) DRIVE SHAFT HOUSING (DF200AZ E40)

REF NO.	PART NO.	DESCRIPTION	Q'TY	REMARKS
1-1	52111-96J10-0EP	HOUSING, DRIVE SHAFT (X) (BLACK)	1	
1-2	52111-96J10-Y5S	HOUSING, DRIVE SHAFT (X) (WHITE)	1	
2	09116-10181	BOLT (10X44)	8	
3	09202-08006	PIN (8X12)	2	
4	57130-87D10	BUSH, DRIVE SHAFT	1	
5	09387-38002	RING	1	
6	36895-87D10	LEAD (SWIVEL TO HSG)	1	
7	09125-06063	SCREW (6X10)	1	
8	54151-96J01	MOUNT, LOWER THRUST	1	
9	54160-96J01	MOUNT, LOWER	2	
10-1	54211-96J01-0EP	BRACKET, LOWER MOUNT (BLACK)	1	
10-2	54211-96J01-Y5S	BRACKET, LOWER MOUNT (WHITE)	1	
11	54221-96J00	COVER, LOWER MOUNT	2	
12	09100-14004	BOLT (14X220)	2	
13	09116-10182	BOLT (10X35)	2	
14	09116-10180	BOLT (10X50)	4	
15	09160-16050	WASHER (16X32X3)	2	
16	09160-16050	WASHER (16X32X3)	2	
17	54167-96J00	MOUNT, LOWER SIDE	2	

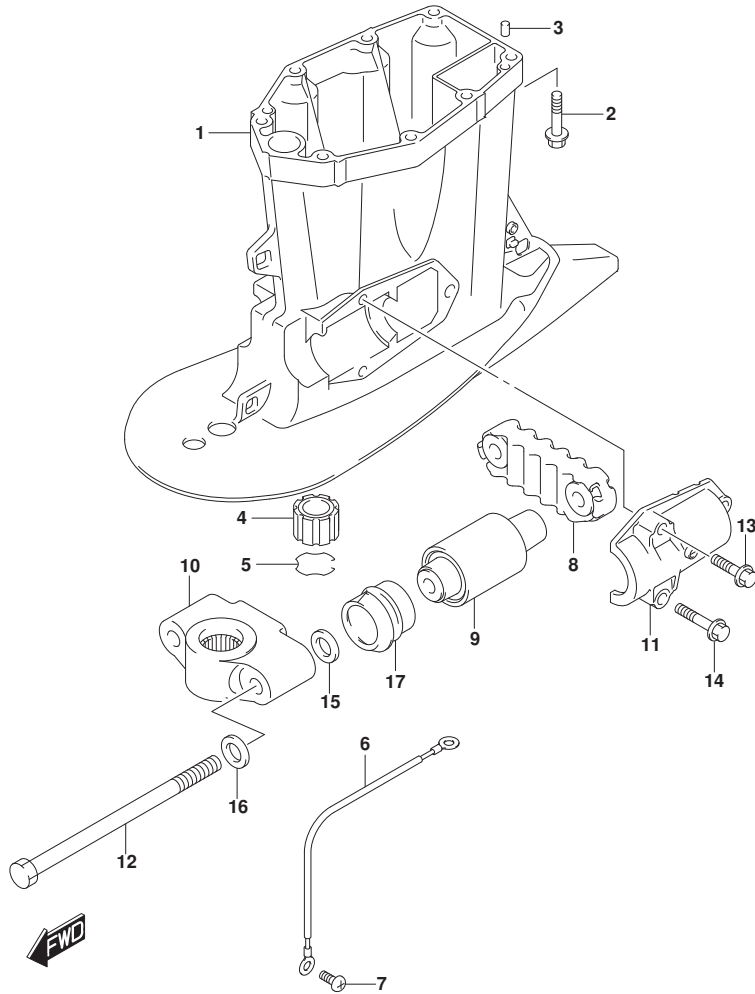


FIG.407A

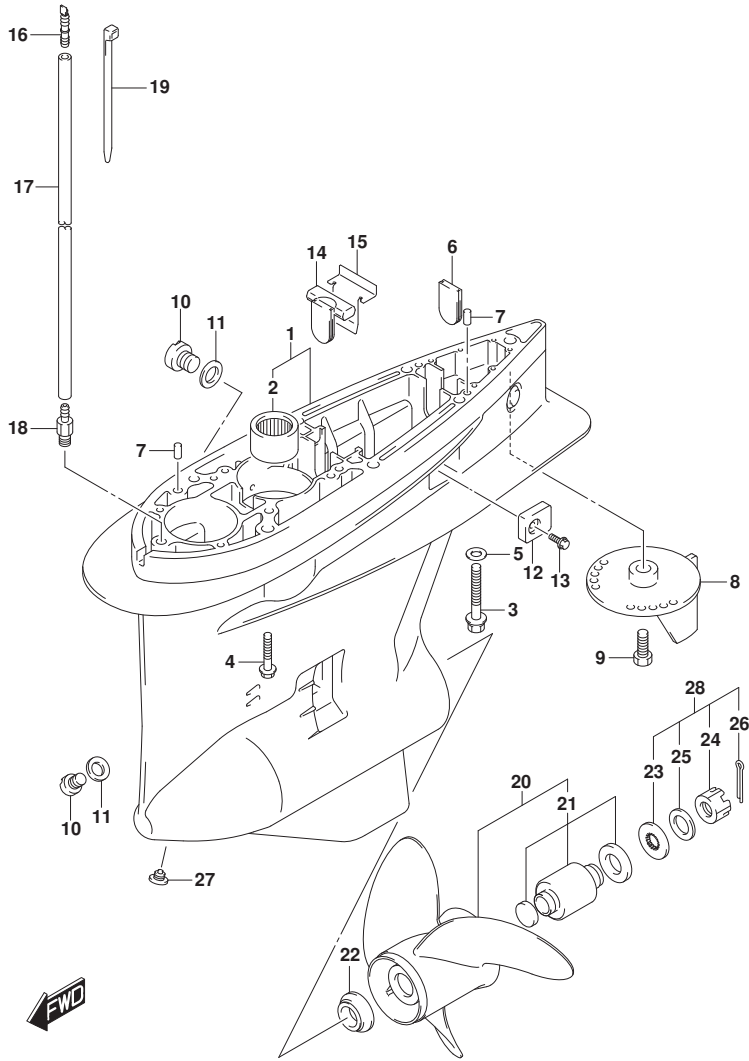


FIG.407A (1-G-10) GEAR CASE (DF200AT E01)

REF NO.	PART NO.	DESCRIPTION	Q'TY	REMARKS
1-1	55110-93J20-0EP	CASE, GEAR (BLACK)	1	
1-2	55110-93J20-Y5S	CASE, GEAR (WHITE)	1	
2	09263-32017	.BEARING (32X48X30)	1	
3	09100-12052	BOLT (12X70)	1	
4	09116-10150	BOLT (10X55)	6	
5	09160-12066	WASHER (12.5X22X2.5)	1	
6	17566-87D11	GROMMET, GEAR CASE	1	
7	09202-08006	PIN (8X12)	2	
8-1	55125-98J00-0EP	TAB, TRIM (BLACK)	1	
8-2	55125-98J00-Y5S	TAB, TRIM (WHITE)	1	
9	09116-08137	BOLT (8X22)	1	
10	55128-93J10	PLUG, DRAIN	2	
11	09168-10034	GASKET (9.5X16.5X2)	3	
12	55321-93J00	ANODE, PROTECTION	2	
13	09116-06236	BOLT (6X16)	2	
14	55332-87D11	RUBBER, EXHAUST SEAL	1	
15	55333-87D10	PLATE, EXHAUST SEAL	1	
16	55127-87D00	UNION, SPEEDOMETER HOSE	1	
17	09355-40805-600	HOSE (4X8X600)	1	L:600->50
18	09362-09008	UNION	1	
19	09407-10404	CLAMP (L:100)	2	
20-1	58200-93L00	PROPELLER (3X16X17)	1	
20-2	58200-93L10	PROPELLER (3X16X18.5)	1	
20-3	58200-93L20	PROPELLER (3X16X20)	1	
20-4	58200-93L30	PROPELLER (3X16X21.5)	1	
20-5	58200-93L40	PROPELLER (3X16X23)	1	
20-6	58200-93L50	PROPELLER (3X16X24.5)	1	
20-7	58200-93L60	PROPELLER (3X16X26)	1	
20-8	58200-93L70	PROPELLER (3X16X27.5)	1	
20-9	58200-93L80	PROPELLER (3X16X15)	1	OPT
20-10	58300-93J00	PROPELLER (4X15.25X18)	1	OPT
20-11	58300-93J10	PROPELLER (4X15.25X20)	1	OPT
20-12	58300-93J20	PROPELLER (4X15.25X22)	1	OPT
20-13	58300-93J30	PROPELLER (4X15.25X24)	1	OPT

FIG.407A

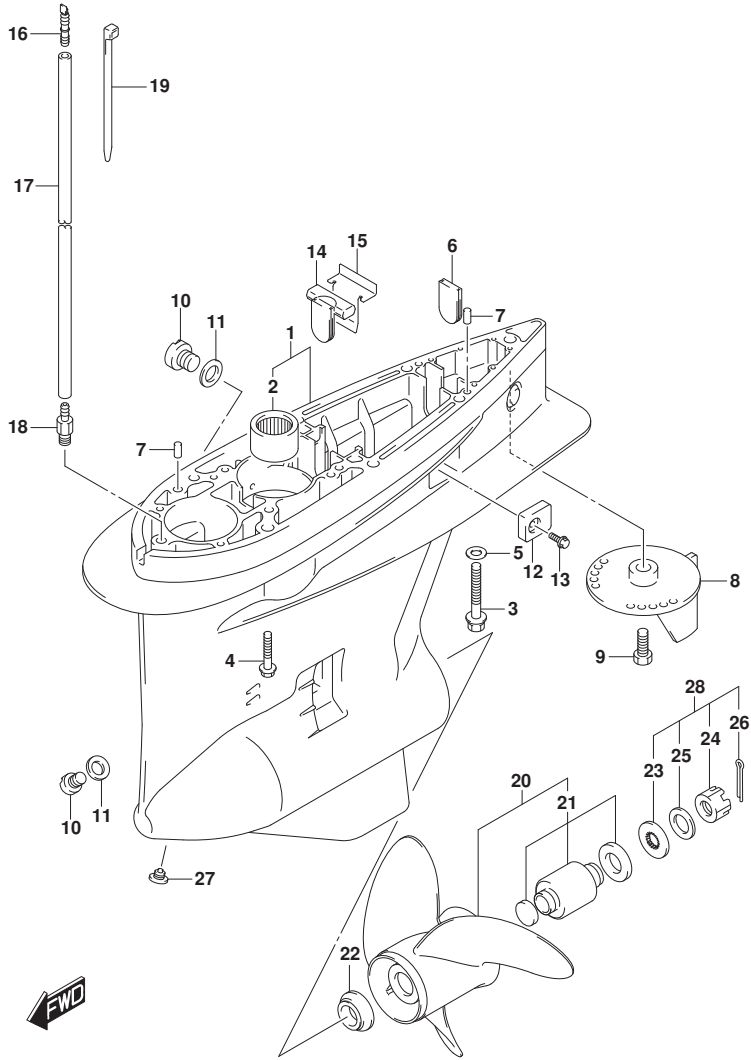


FIG.407A (1-G-11) GEAR CASE (DF200AT E01)

REF NO.	PART NO.	DESCRIPTION	Q'TY	REMARKS
20-14	58300-93J40	PROPELLER (4X15.25X26)	1	OPT
20-15	58200-96J00	PROPELLER (3X15.5X17)	1	OPT
20-16	58200-96J10	PROPELLER (3X15.25X19)	1	OPT
20-17	58200-96J20	PROPELLER (3X15X21)	1	OPT
20-18	58200-96J30	PROPELLER (3X14.75X23)	1	OPT
20-19	58200-96J40	PROPELLER (3X14.5X25)	1	OPT
20-20	58200-96J50	PROPELLER (3X14.5X27)	1	OPT
21	58105-93J10	.BUSH SET, PROPELLER	1	
22	57632-93L01	STOPPER, PROPELLER BUSH	1	
23	57633-87D30	SPACER, PROPELLER NUT	1	
24	09141-18005	NUT	1	
25	09160-18028	WASHER (18.5X31X1)	1	
26	09204-03003	COTTER PIN (D:3.6,L:25)	1	
27	55128-93L00	PLUG, DRAIN	1	
28	57630-92E00	KIT, PROPELLER NUT	1	OPT
29	25700-93J00	KIT, GEAR CASE SEALING	1	OPT

NOT ILLUSTRATED

FIG.407B

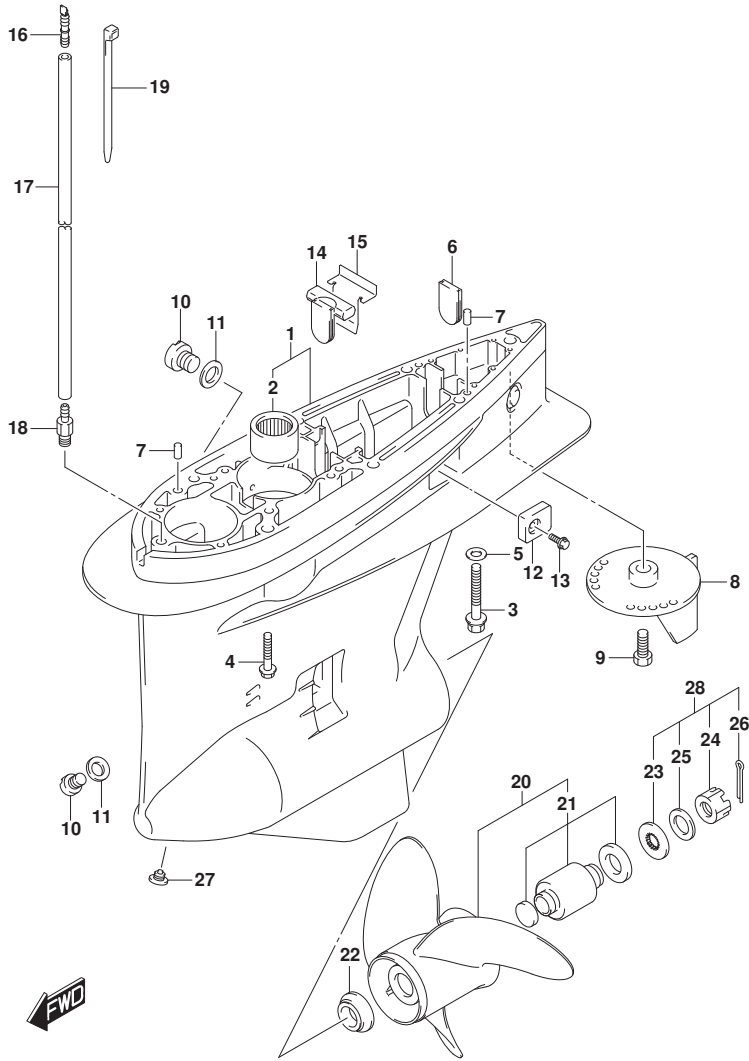


FIG.407B (1-G-12) GEAR CASE (DF200AT E40)

REF NO.	PART NO.	DESCRIPTION	Q'TY	REMARKS
1-1	55110-93J20-0EP	CASE, GEAR (BLACK)	1	
1-2	55110-93J20-Y5S	CASE, GEAR (WHITE)	1	
2	09263-32017	.BEARING (32X48X30)	1	
3	09100-12052	BOLT (12X70)	1	
4	09116-10150	BOLT (10X55)	6	
5	09160-12066	WASHER (12.5X22X2.5)	1	
6	17566-87D11	GROMMET, GEAR CASE	1	
7	09202-08006	PIN (8X12)	2	
8-1	55125-98J00-0EP	TAB, TRIM (BLACK)	1	
8-2	55125-98J00-Y5S	TAB, TRIM (WHITE)	1	
9	09116-08137	BOLT (8X22)	1	
10	55128-93J10	PLUG, DRAIN	2	
11	09168-10034	GASKET (9.5X16.5X2)	3	
12	55321-93J00	ANODE, PROTECTION	2	
13	09116-06236	BOLT (6X16)	2	
14	55332-87D11	RUBBER, EXHAUST SEAL	1	
15	55333-87D10	PLATE, EXHAUST SEAL	1	
16	55127-87D00	UNION, SPEEDOMETER HOSE	1	
17	09355-40805-600	HOSE (4X8X600)	1	L:600->50
18	09362-09008	UNION	1	
19	09407-10404	CLAMP (L:100)	2	
20-1	58200-93L00	PROPELLER (3X16X17)	1	
20-2	58200-93L10	PROPELLER (3X16X18.5)	1	
20-3	58200-93L20	PROPELLER (3X16X20)	1	
20-4	58200-93L30	PROPELLER (3X16X21.5)	1	
20-5	58200-93L40	PROPELLER (3X16X23)	1	
20-6	58200-93L50	PROPELLER (3X16X24.5)	1	
20-7	58200-93L60	PROPELLER (3X16X26)	1	
20-8	58200-93L70	PROPELLER (3X16X27.5)	1	
20-9	58200-93L80	PROPELLER (3X16X15)	1	OPT
20-10	58300-93J00	PROPELLER (4X15.25X18)	1	OPT
20-11	58300-93J10	PROPELLER (4X15.25X20)	1	OPT
20-12	58300-93J20	PROPELLER (4X15.25X22)	1	OPT
20-13	58300-93J30	PROPELLER (4X15.25X24)	1	OPT

FIG.407B

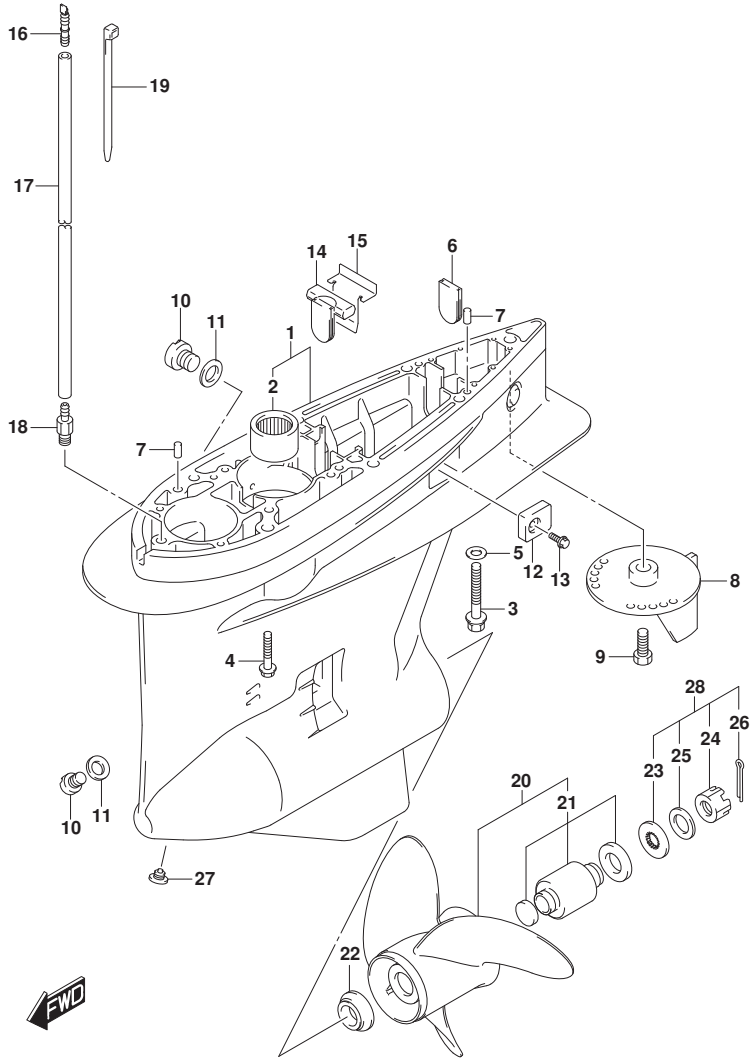
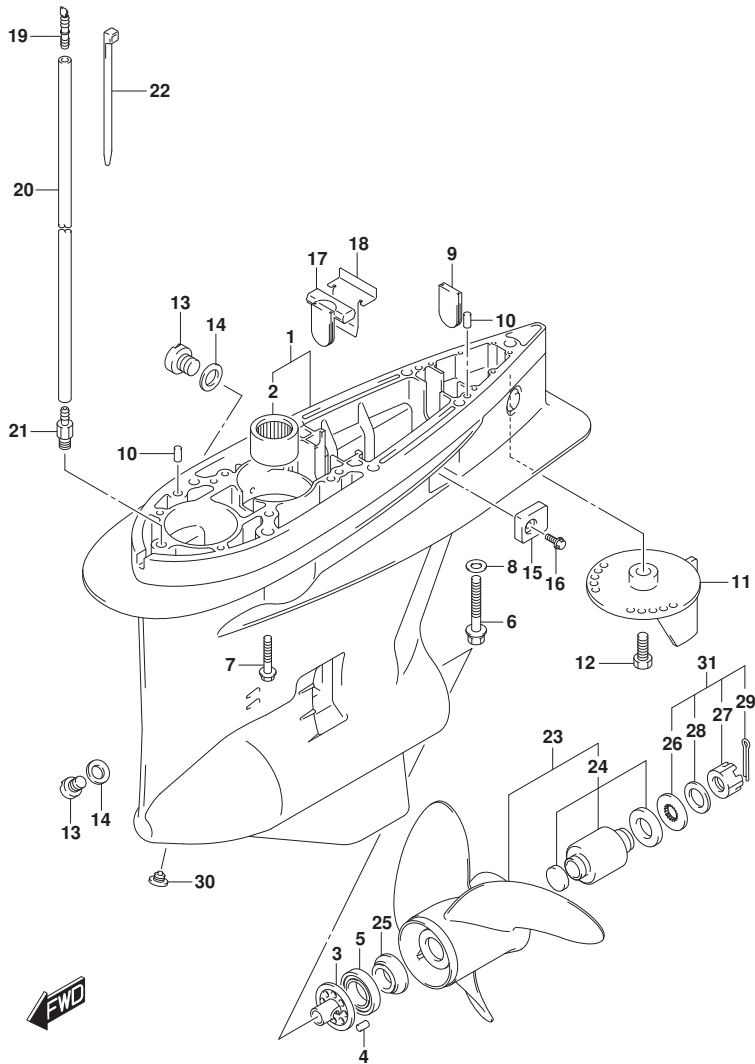


FIG.407B (1-G-13) GEAR CASE (DF200AT E40)

REF NO.	PART NO.	DESCRIPTION	Q'TY	REMARKS
20-14	58300-93J40	PROPELLER (4X15.25X26)	1	OPT
20-15	58200-96J00	PROPELLER (3X15.5X17)	1	OPT
20-16	58200-96J10	PROPELLER (3X15.25X19)	1	OPT
20-17	58200-96J20	PROPELLER (3X15X21)	1	OPT
20-18	58200-96J30	PROPELLER (3X14.75X23)	1	OPT
20-19	58200-96J40	PROPELLER (3X14.5X25)	1	OPT
20-20	58200-96J50	PROPELLER (3X14.5X27)	1	OPT
21	58105-93J10	.BUSH SET, PROPELLER	1	
22	57632-93L01	STOPPER, PROPELLER BUSH	1	
23	57633-87D30	SPACER, PROPELLER NUT	1	
24	09141-18005	NUT	1	
25	09160-18028	WASHER (18.5X31X1)	1	
26	09204-03003	COTTER PIN (D:3.6,L:25)	1	
27	55128-93L00	PLUG, DRAIN	1	
28	57630-92E00	KIT, PROPELLER NUT	1	OPT
29	25700-93J00	KIT, GEAR CASE SEALING	1	OPT

NOT ILLUSTRATED

FIG.407C



DF200A_E01_015_407C
GEAR CASE

FIG.407C (1-G-14) GEAR CASE (DF200AZ E01)

REF NO.	PART NO.	DESCRIPTION	Q'TY	REMARKS
1-1	55110-93J30-0EP	CASE, GEAR (BLACK)	1	
1-2	55110-93J30-Y5S	CASE, GEAR (WHITE)	1	
2	09263-32017	.BEARING (32X48X30)	1	
3	56145-93J00	.HOUSING, SHIFT CAM	1	
4	04221-08129	.PIN	1	
5	09265-50002	.BEARING (50X90X21.75)	1	
6	09100-12052	BOLT (12X70)	1	
7	09116-10150	BOLT (10X55)	6	
8	09160-12066	WASHER (12.5X22X2.5)	1	
9	17566-87D11	GROMMET, GEAR CASE	1	
10	09202-08006	PIN (8X12)	2	
11-1	55125-98J00-0EP	TAB, TRIM (BLACK)	1	
11-2	55125-98J00-Y5S	TAB, TRIM (WHITE)	1	
12	09116-08137	BOLT (8X22)	1	
13	55128-93J10	PLUG, DRAIN	2	
14	09168-10034	GASKET (9.5X16.5X2)	3	
15	55321-93J00	ANODE, PROTECTION	2	
16	09116-06236	BOLT (6X16)	2	
17	55332-87D11	RUBBER, EXHAUST SEAL	1	
18	55333-87D10	PLATE, EXHAUST SEAL	1	
19	55127-87D00	UNION, SPEEDOMETER HOSE	1	
20	09355-40805-600	HOSE (4X8X600)	1	L:600->50
21	09362-09008	UNION	1	
22	09407-10404	CLAMP (L:100)	2	
23-1	58200-93LA0	PROPELLER (3X16X18.5)	1	
23-2	58200-93LB0	PROPELLER (3X16X20)	1	
23-3	58200-93LC0	PROPELLER (3X16X21.5)	1	
23-4	58200-93LD0	PROPELLER (3X16X23)	1	
23-5	58200-93LF0	PROPELLER (3X16X24.5)	1	
23-6	58200-93LE0	PROPELLER (3X16X17)	1	OPT
23-7	58200-93LG0	PROPELLER (3X16X26)	1	OPT
23-8	58300-93JA0	PROPELLER (4X15.25X20)	1	OPT
23-9	58300-93JB0	PROPELLER (4X15.25X22)	1	OPT
23-10	58300-93JC0	PROPELLER (4X15.25X24)	1	OPT

DF200A_E01_015

FIG.407C

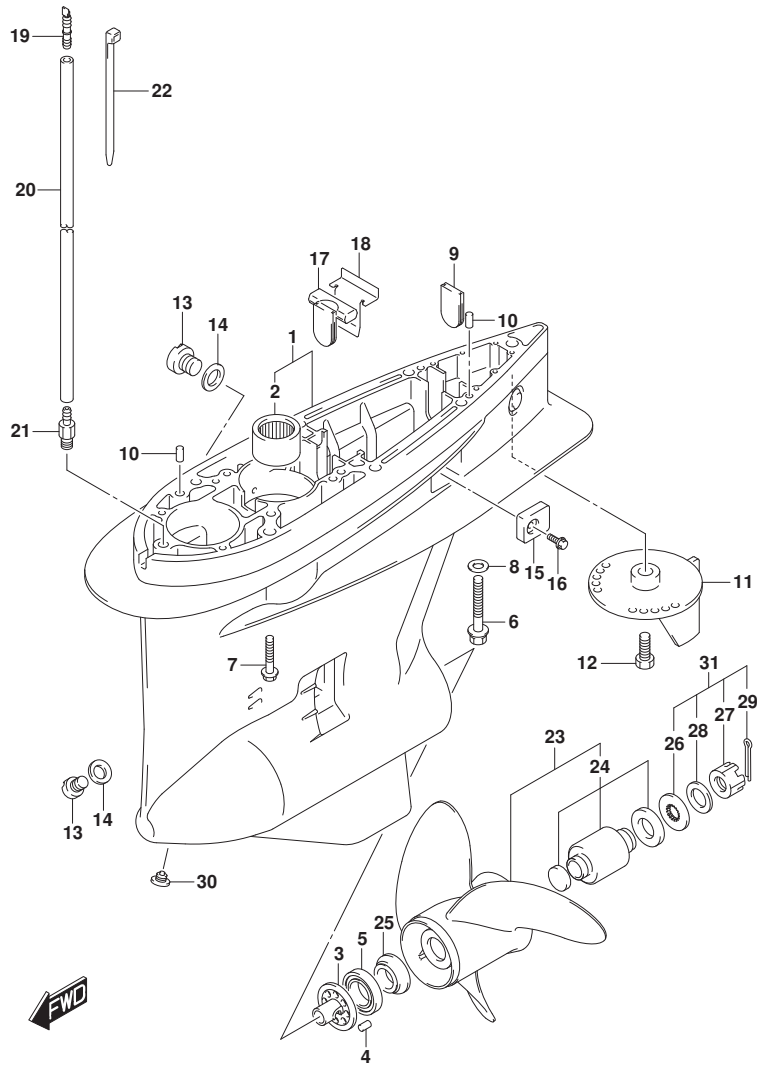
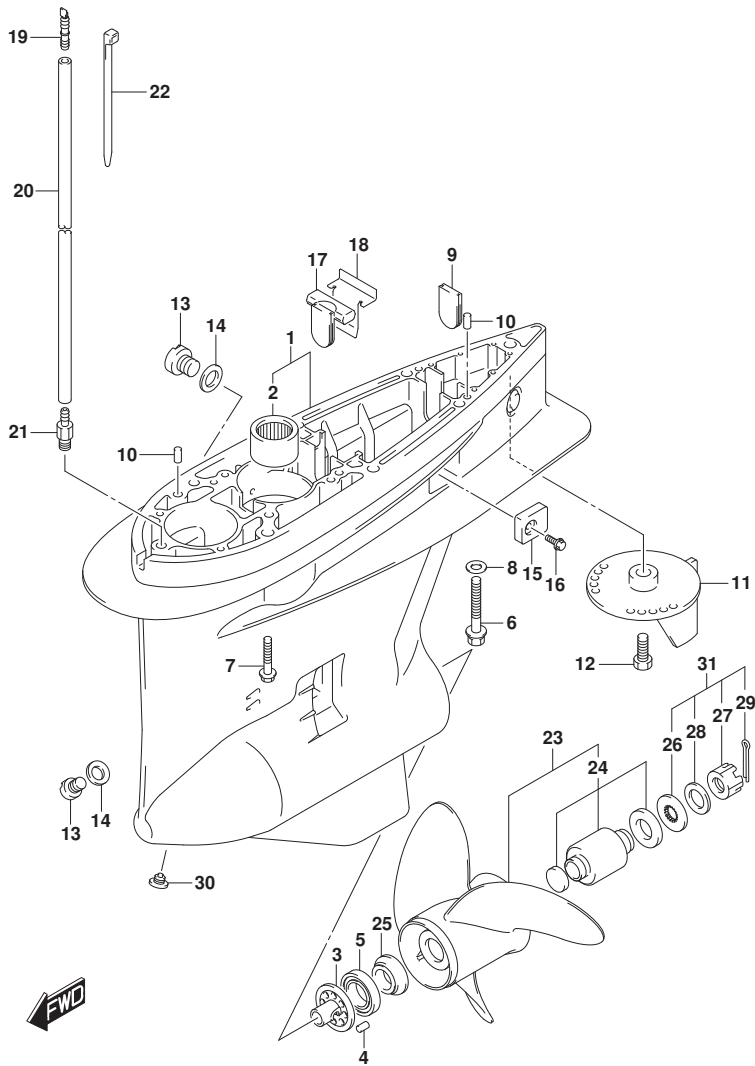


FIG.407C (1-G-15) GEAR CASE (DF200AZ E01)

REF NO.	PART NO.	DESCRIPTION	Q'TY	REMARKS
23-11	58300-93JD0	PROPELLER (4X15.25X26)	1	OPT
23-12	58200-96JB0	PROPELLER (3X15.25X19)	1	OPT
23-13	58200-96JC0	PROPELLER (3X15X21)	1	OPT
23-14	58200-96JD0	PROPELLER (3X14.75X23)	1	OPT
23-15	58200-96JA0	PROPELLER (3X15.5X17)	1	OPT
23-16	58200-96JE0	PROPELLER (3X14.5X25)	1	OPT
23-17	58200-96JF0	PROPELLER (3X14.5X27)	1	OPT
24	58105-93J10	.BUSH SET, PROPELLER	1	
25	57632-93L01	STOPPER, PROPELLER BUSH	1	
26	57633-87D30	SPACER, PROPELLER NUT	1	
27	09141-18005	NUT	1	
28	09160-18028	WASHER (18.5X31X1)	1	
29	09204-03003	COTTER PIN (D:3.6,L:25)	1	
30	55128-93L00	PLUG, DRAIN	1	
31	57630-92E00	KIT, PROPELLER NUT	1	OPT
32	25700-93J00	KIT, GEAR CASE SEALING	1	OPT

NOT ILLUSTRATED

FIG.407D



DF200A_E01_015_407D
GEAR CASE

FIG.407D (1-H-2) GEAR CASE (DF200AZ E40)

REF NO.	PART NO.	DESCRIPTION	Q'TY	REMARKS
1-1	55110-93J30-0EP	CASE, GEAR (BLACK)	1	
1-2	55110-93J30-Y5S	CASE, GEAR (WHITE)	1	
2	09263-32017	.BEARING (32X48X30)	1	
3	56145-93J00	.HOUSING, SHIFT CAM	1	
4	04221-08129	.PIN	1	
5	09265-50002	.BEARING (50X90X21.75)	1	
6	09100-12052	BOLT (12X70)	1	
7	09116-10150	BOLT (10X55)	6	
8	09160-12066	WASHER (12.5X22X2.5)	1	
9	17566-87D11	GROMMET, GEAR CASE	1	
10	09202-08006	PIN (8X12)	2	
11-1	55125-98J00-0EP	TAB, TRIM (BLACK)	1	
11-2	55125-98J00-Y5S	TAB, TRIM (WHITE)	1	
12	09116-08137	BOLT (8X22)	1	
13	55128-93J10	PLUG, DRAIN	2	
14	09168-10034	GASKET (9.5X16.5X2)	3	
15	55321-93J00	ANODE, PROTECTION	2	
16	09116-06236	BOLT (6X16)	2	
17	55332-87D11	RUBBER, EXHAUST SEAL	1	
18	55333-87D10	PLATE, EXHAUST SEAL	1	
19	55127-87D00	UNION, SPEEDOMETER HOSE	1	
20	09355-40805-600	HOSE (4X8X600)	1	L:600->50
21	09362-09008	UNION	1	
22	09407-10404	CLAMP (L:100)	2	
23-1	58200-93LA0	PROPELLER (3X16X18.5)	1	
23-2	58200-93LB0	PROPELLER (3X16X20)	1	
23-3	58200-93LC0	PROPELLER (3X16X21.5)	1	
23-4	58200-93LD0	PROPELLER (3X16X23)	1	
23-5	58200-93LF0	PROPELLER (3X16X24.5)	1	
23-6	58200-93LE0	PROPELLER (3X16X17)	1	OPT
23-7	58200-93LG0	PROPELLER (3X16X26)	1	OPT
23-8	58300-93JA0	PROPELLER (4X15.25X20)	1	OPT
23-9	58300-93JB0	PROPELLER (4X15.25X22)	1	OPT
23-10	58300-93JC0	PROPELLER (4X15.25X24)	1	OPT

DF200A_E01_015

FIG.407D

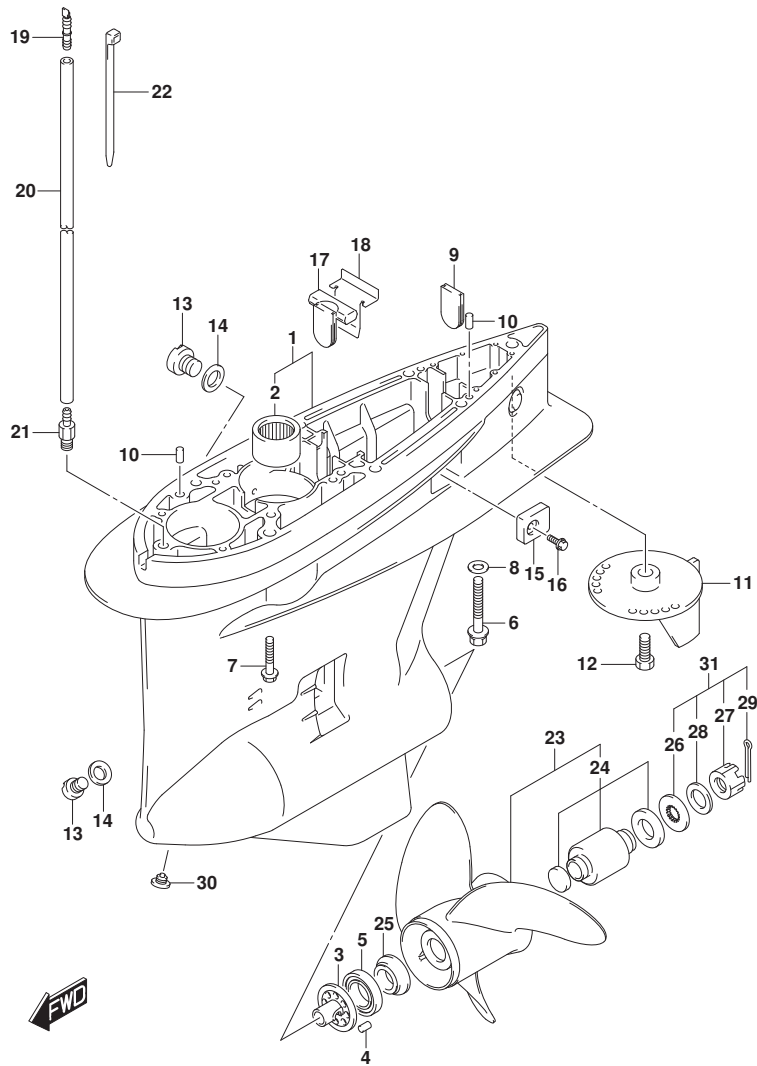


FIG.407D (1-H-3) GEAR CASE (DF200AZ E40)

REF NO.	PART NO.	DESCRIPTION	Q'TY	REMARKS
23-11	58300-93JD0	PROPELLER (4X15.25X26)	1	OPT
23-12	58200-96JB0	PROPELLER (3X15.25X19)	1	OPT
23-13	58200-96JC0	PROPELLER (3X15X21)	1	OPT
23-14	58200-96JD0	PROPELLER (3X14.75X23)	1	OPT
23-15	58200-96JA0	PROPELLER (3X15.5X17)	1	OPT
23-16	58200-96JE0	PROPELLER (3X14.5X25)	1	OPT
23-17	58200-96JF0	PROPELLER (3X14.5X27)	1	OPT
24	58105-93J10	.BUSH SET, PROPELLER	1	
25	57632-93L01	STOPPER, PROPELLER BUSH	1	
26	57633-87D30	SPACER, PROPELLER NUT	1	
27	09141-18005	NUT	1	
28	09160-18028	WASHER (18.5X31X1)	1	
29	09204-03003	COTTER PIN (D:3.6,L:25)	1	
30	55128-93L00	PLUG, DRAIN	1	
31	57630-92E00	KIT, PROPELLER NUT	1	OPT
32	25700-93J00	KIT, GEAR CASE SEALING	1	OPT

NOT ILLUSTRATED

FIG.410A

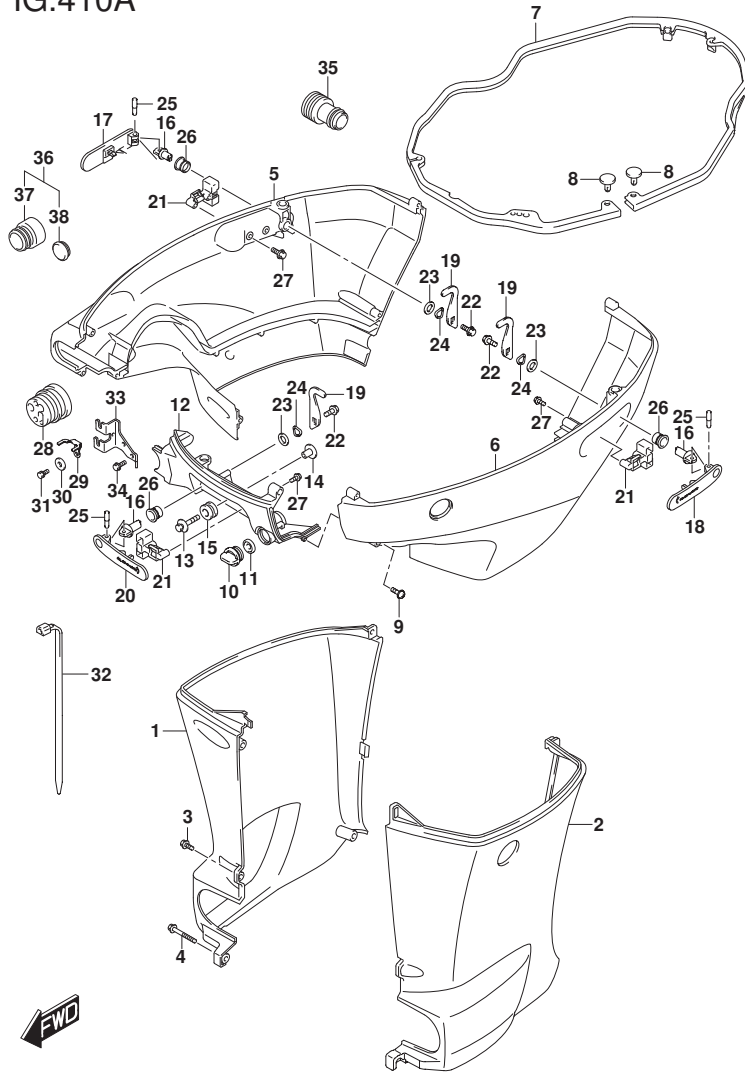


FIG.410A (1-H-4) SIDE COVER (DF200AT E01)

REF NO.	PART NO.	DESCRIPTION	Q'TY	REMARKS
1-1	61131-96J02-0EP	COVER, OIL PAN STBD (L) (BLACK)	1	W/TRANSOM(L)
1-2	61131-96J02-Y5S	COVER, OIL PAN STBD (L) (WHITE)	1	W/TRANSOM(L)
1-3	61131-96J12-0EP	COVER, OIL PAN STBD (X) (BLACK)	1	W/TRANSOM(X)
1-4	61131-96J12-Y5S	COVER, OIL PAN STBD (X) (WHITE)	1	W/TRANSOM(X)
2-1	61141-96J02-0EP	COVER, OIL PAN PORT (L) (BLACK)	1	W/TRANSOM(L)
2-2	61141-96J02-Y5S	COVER, OIL PAN PORT (L) (WHITE)	1	W/TRANSOM(L)
2-3	61141-96J12-0EP	COVER, OIL PAN PORT (X) (BLACK)	1	W/TRANSOM(X)
2-4	61141-96J12-Y5S	COVER, OIL PAN PORT (X) (WHITE)	1	W/TRANSOM(X)
3-1	09139-06135	SCREW (6X17)	3	W/TRANSOM(L)
3-2	09139-06135	SCREW (6X17)	5	W/TRANSOM(X)
4	09139-06147	BOLT (6X114)	1	W/TRANSOM(L)
5-1	61811-96L00-0EP	COVER, SIDE STBD (BLACK)	1	
5-2	61811-96L00-Y5S	COVER, SIDE STBD (WHITE)	1	
6-1	61820-96L00-0EP	COVER, SIDE PORT (BLACK)	1	
6-2	61820-96L00-Y5S	COVER, SIDE PORT (WHITE)	1	
7	61134-96J02	SEAL, SIDE COVER	1	
8	09409-05302-5PK	CLIP (BLACK)	2	
9	09136-06148	SCREW (6X35)	8	
10	17913-93J00	PLUG, WATER	1	
11	17914-93J00	GASKET, WATER PLUG	1	
12-1	61831-96J10-0EP	PANEL, FRONT (BLACK)	1	
12-2	61831-96J10-Y5S	PANEL, FRONT (WHITE)	1	
13	09116-08163	BOLT (8X38)	2	
14	09169-08039	WASHER	2	
15	09320-11013	CUSHION	2	

FIG.410A

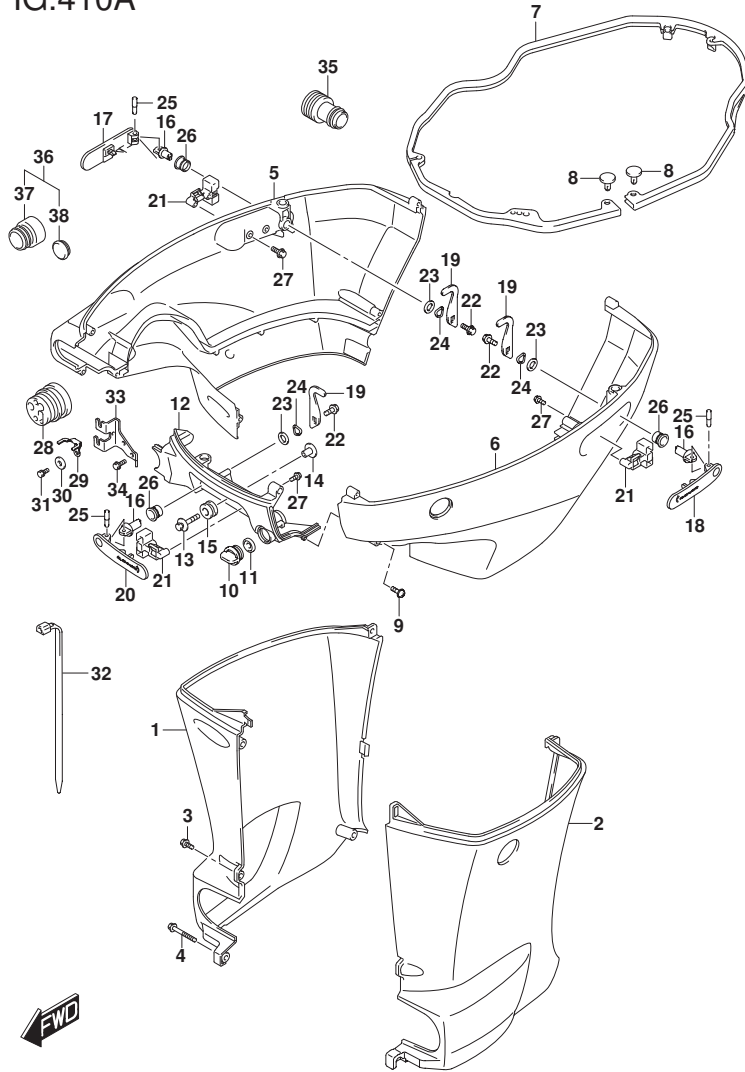


FIG.410A (1-H-5) SIDE COVER (DF200AT E01)

REF NO.	PART NO.	DESCRIPTION	Q'TY	REMARKS
16	61632-93J00	SHAFT, ENGINE COVER HOOK	3	
17	61633-96J02	LEVER, HOOK RR STBD	1	
18	61634-96J02	LEVER, HOOK RR PORT	1	
19	61641-93J10	HOOK, ENGINE COVER	3	
20	61645-96J02	LEVER, HOOK FR	1	
21	61673-96J02	LATCH, HOOK LEVER	3	
22	09116-06127	BOLT (6X12)	3	
23	09160-13014	WASHER (13.2X25X1)	3	
24	09164-14008	WASHER	3	
25	09202-04022	PIN	3	
26	09306-13007	BUSH	3	
27	01550-05107	BOLT	6	
28	61124-96J02	GROMMET, REMOCON CABLE	1	
29	67343-96J00	STOPPER, REMOCON CABLE	1	
30	09160-06047	WASHER (6.5X20X2)	1	
31	01570-06127	BOLT	1	
32	09407-25402	CLAMP (L:250)	1	
33	67341-96J00	HOLDER, REMOCON CABLE	1	
34	01550-06167	BOLT	2	
35	17917-87L00	CONNECTOR, FLUSH WATER	1	
36	67300-93J00	KIT, HOSE ADAPTER	1	OPT
37	67361-93J00	.ADAPTER, HOSE	1	OPT
38	09250-21003	.PLUG (OD:28)	1	OPT

FIG.410B

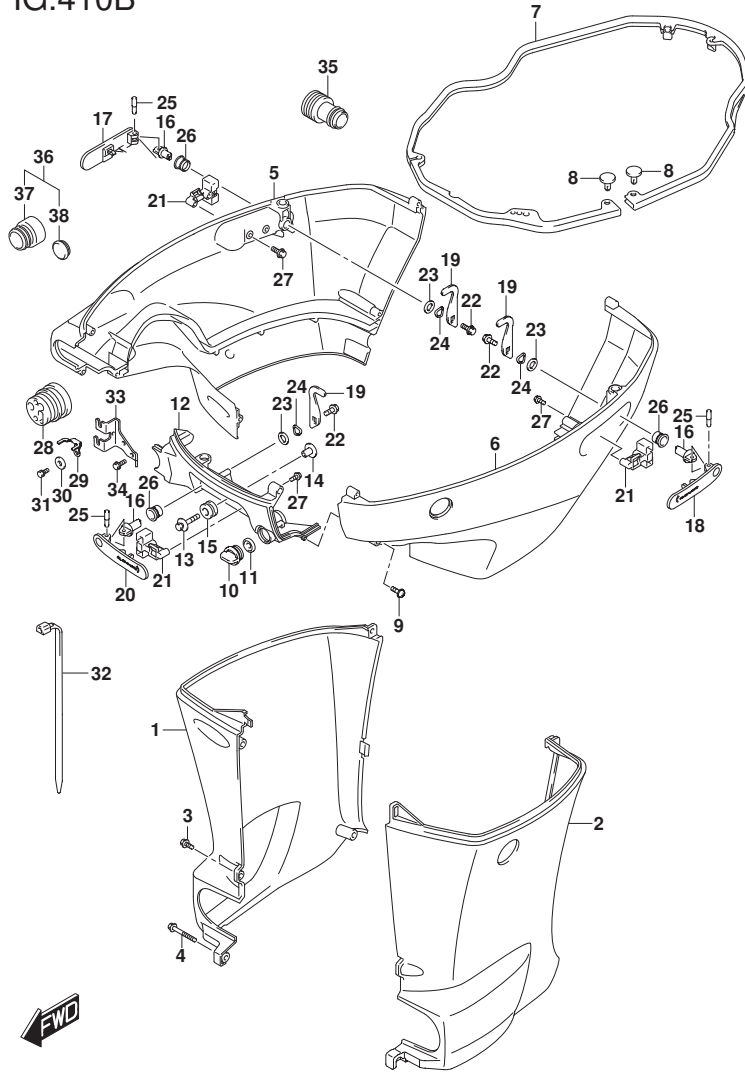


FIG.410B (1-H-6) SIDE COVER (DF200AT E40)

REF NO.	PART NO.	DESCRIPTION	Q'TY	REMARKS
1-1	61131-96J02-0EP	COVER, OIL PAN STBD (L) (BLACK)	1	W/TRANSOM(L)
1-2	61131-96J02-Y5S	COVER, OIL PAN STBD (L) (WHITE)	1	W/TRANSOM(L)
1-3	61131-96J12-0EP	COVER, OIL PAN STBD (X) (BLACK)	1	W/TRANSOM(X)
1-4	61131-96J12-Y5S	COVER, OIL PAN STBD (X) (WHITE)	1	W/TRANSOM(X)
2-1	61141-96J02-0EP	COVER, OIL PAN PORT (L) (BLACK)	1	W/TRANSOM(L)
2-2	61141-96J02-Y5S	COVER, OIL PAN PORT (L) (WHITE)	1	W/TRANSOM(L)
2-3	61141-96J12-0EP	COVER, OIL PAN PORT (X) (BLACK)	1	W/TRANSOM(X)
2-4	61141-96J12-Y5S	COVER, OIL PAN PORT (X) (WHITE)	1	W/TRANSOM(X)
3-1	09139-06135	SCREW (6X17)	3	W/TRANSOM(L)
3-2	09139-06135	SCREW (6X17)	5	W/TRANSOM(X)
4	09139-06147	BOLT (6X114)	1	W/TRANSOM(L)
5-1	61811-96L00-0EP	COVER, SIDE STBD (BLACK)	1	
5-2	61811-96L00-Y5S	COVER, SIDE STBD (WHITE)	1	
6-1	61820-96L00-0EP	COVER, SIDE PORT (BLACK)	1	
6-2	61820-96L00-Y5S	COVER, SIDE PORT (WHITE)	1	
7	61134-96J02	SEAL, SIDE COVER	1	
8	09409-05302-5PK	CLIP (BLACK)	2	
9	09136-06148	SCREW (6X35)	8	
10	17913-93J00	PLUG, WATER	1	
11	17914-93J00	GASKET, WATER PLUG	1	
12-1	61831-96J10-0EP	PANEL, FRONT (BLACK)	1	
12-2	61831-96J10-Y5S	PANEL, FRONT (WHITE)	1	
13	09116-08163	BOLT (8X38)	2	
14	09169-08039	WASHER	2	
15	09320-11013	CUSHION	2	

FIG.410B

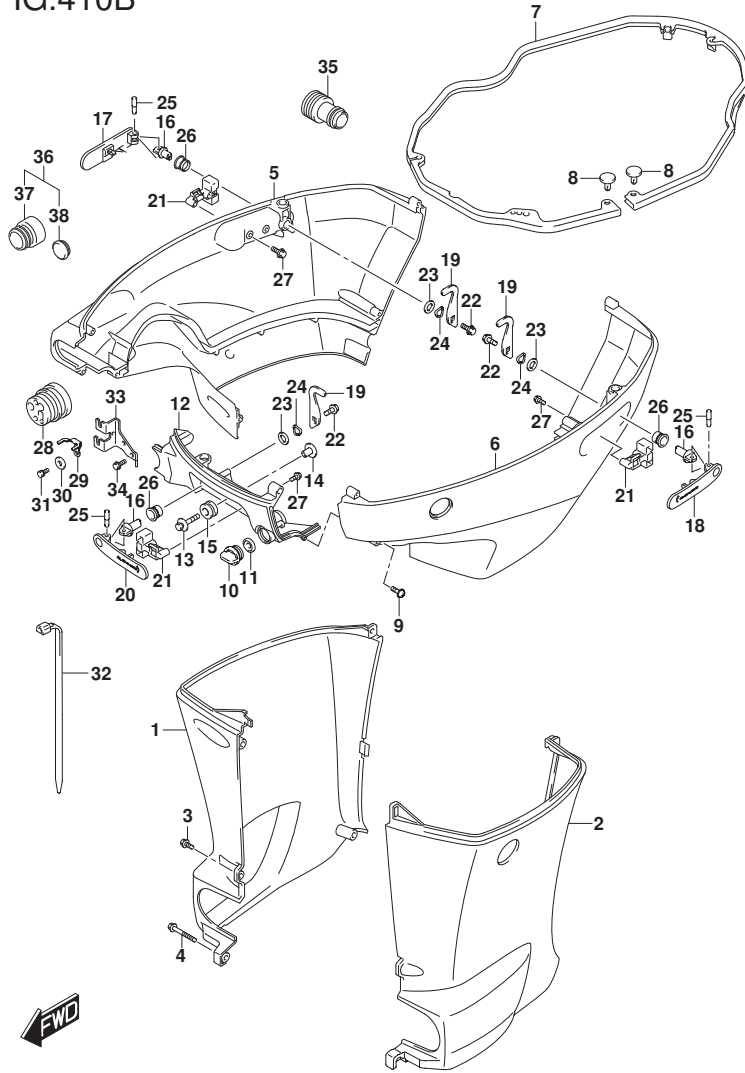


FIG.410B (1-H-7) SIDE COVER (DF200AT E40)

REF NO.	PART NO.	DESCRIPTION	Q'TY	REMARKS
16	61632-93J00	SHAFT, ENGINE COVER HOOK	3	
17	61633-96J02	LEVER, HOOK RR STBD	1	
18	61634-96J02	LEVER, HOOK RR PORT	1	
19	61641-93J10	HOOK, ENGINE COVER	3	
20	61645-96J02	LEVER, HOOK FR	1	
21	61673-96J02	LATCH, HOOK LEVER	3	
22	09116-06127	BOLT (6X12)	3	
23	09160-13014	WASHER (13.2X25X1)	3	
24	09164-14008	WASHER	3	
25	09202-04022	PIN	3	
26	09306-13007	BUSH	3	
27	01550-05107	BOLT	6	
28	61124-96J02	GROMMET, REMOCON CABLE	1	
29	67343-96J00	STOPPER, REMOCON CABLE	1	
30	09160-06047	WASHER (6.5X20X2)	1	
31	01570-06127	BOLT	1	
32	09407-25402	CLAMP (L:250)	1	
33	67341-96J00	HOLDER, REMOCON CABLE	1	
34	01550-06167	BOLT	2	
35	17917-87L00	CONNECTOR, FLUSH WATER	1	
36	67300-93J00	KIT, HOSE ADAPTER	1	OPT
37	67361-93J00	.ADAPTER, HOSE	1	OPT
38	09250-21003	.PLUG (OD:28)	1	OPT

FIG.410C

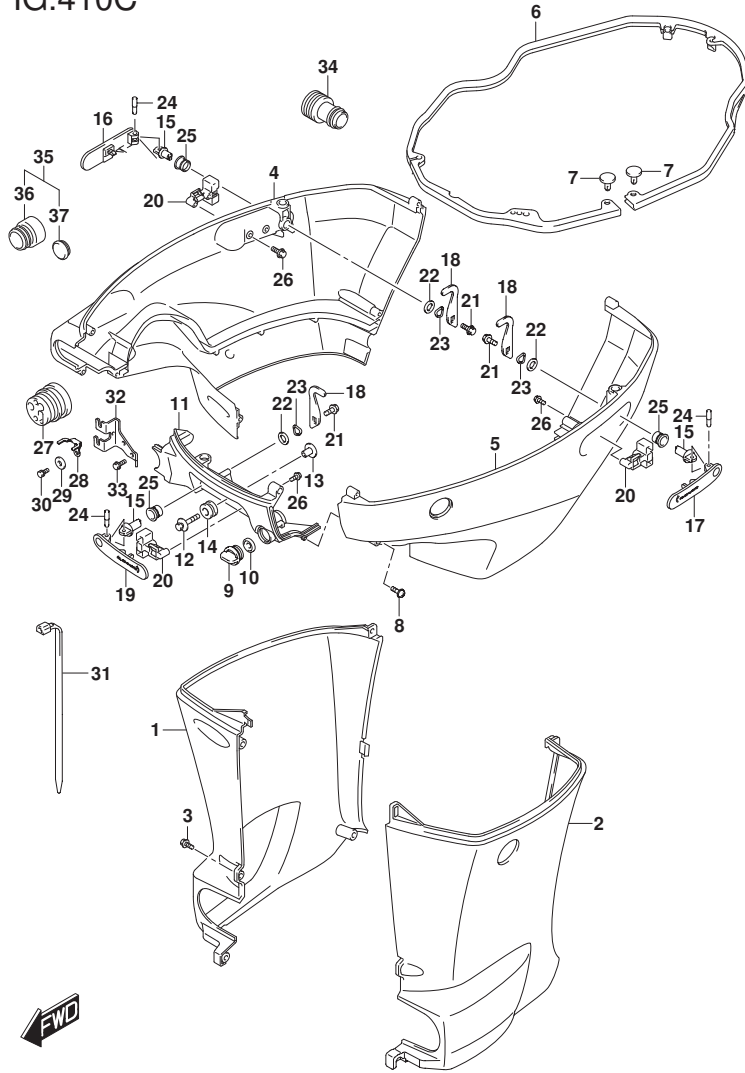


FIG.410C (1-H-8) SIDE COVER (DF200AZ E01)

REF NO.	PART NO.	DESCRIPTION	Q'TY	REMARKS
1-1	61131-96J12-0EP	COVER, OIL PAN STBD (X) (BLACK)	1	
1-2	61131-96J12-Y5S	COVER, OIL PAN STBD (X) (WHITE)	1	
2-1	61141-96J12-0EP	COVER, OIL PAN PORT (X) (BLACK)	1	
2-2	61141-96J12-Y5S	COVER, OIL PAN PORT (X) (WHITE)	1	
3	09139-06135	SCREW (6X17)	5	
4-1	61811-96L00-0EP	COVER, SIDE STBD (BLACK)	1	
4-2	61811-96L00-Y5S	COVER, SIDE STBD (WHITE)	1	
5-1	61820-96L00-0EP	COVER, SIDE PORT (BLACK)	1	
5-2	61820-96L00-Y5S	COVER, SIDE PORT (WHITE)	1	
6	61134-96J02	SEAL, SIDE COVER	1	
7	09409-05302-5PK	CLIP (BLACK)	2	
8	09136-06148	SCREW (6X35)	8	
9	17913-93J00	PLUG, WATER	1	
10	17914-93J00	GASKET, WATER PLUG	1	
11-1	61831-96J10-0EP	PANEL, FRONT (BLACK)	1	
11-2	61831-96J10-Y5S	PANEL, FRONT (WHITE)	1	
12	09116-08163	BOLT (8X38)	2	
13	09169-08039	WASHER	2	
14	09320-11013	CUSHION	2	
15	61632-93J00	SHAFT, ENGINE COVER HOOK	3	
16	61633-96J02	LEVER, HOOK RR STBD	1	
17	61634-96J02	LEVER, HOOK RR PORT	1	
18	61641-93J10	HOOK, ENGINE COVER	3	
19	61645-96J02	LEVER, HOOK FR	1	
20	61673-96J02	LATCH, HOOK LEVER	3	
21	09116-06127	BOLT (6X12)	3	
22	09160-13014	WASHER (13.2X25X1)	3	
23	09164-14008	WASHER	3	
24	09202-04022	PIN	3	

FIG.410C

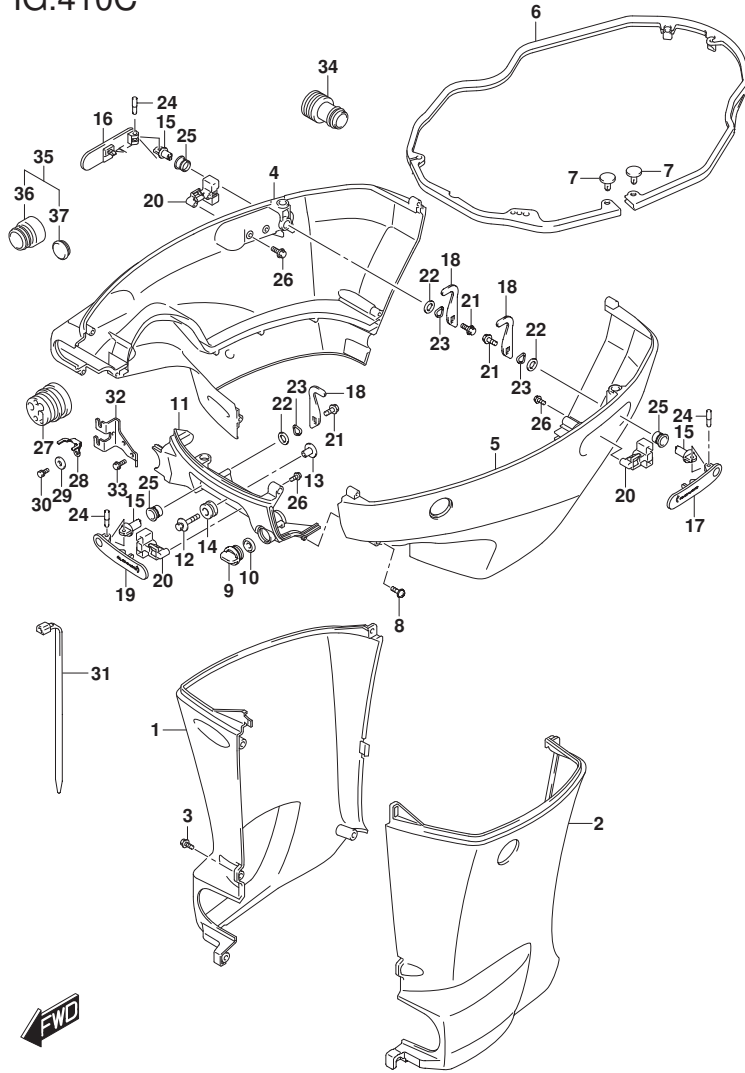


FIG.410C (1-H-9) SIDE COVER (DF200AZ E01)

REF NO.	PART NO.	DESCRIPTION	Q'TY	REMARKS
25	09306-13007	BUSH	3	
26	01550-05107	BOLT	6	
27	61124-96J02	GROMMET, REMOCON CABLE	1	
28	67343-96J00	STOPPER, REMOCON CABLE	1	
29	09160-06047	WASHER (6.5X20X2)	1	
30	01570-06127	BOLT	1	
31	09407-25402	CLAMP (L:250)	1	
32	67341-96J00	HOLDER, REMOCON CABLE	1	
33	01550-06167	BOLT	2	
34	17917-87L00	CONNECTOR, FLUSH WATER	1	
35	67300-93J00	KIT, HOSE ADAPTER	1	OPT
36	67361-93J00	.ADAPTER, HOSE	1	OPT
37	09250-21003	.PLUG (OD:28)	1	OPT

FIG.410D

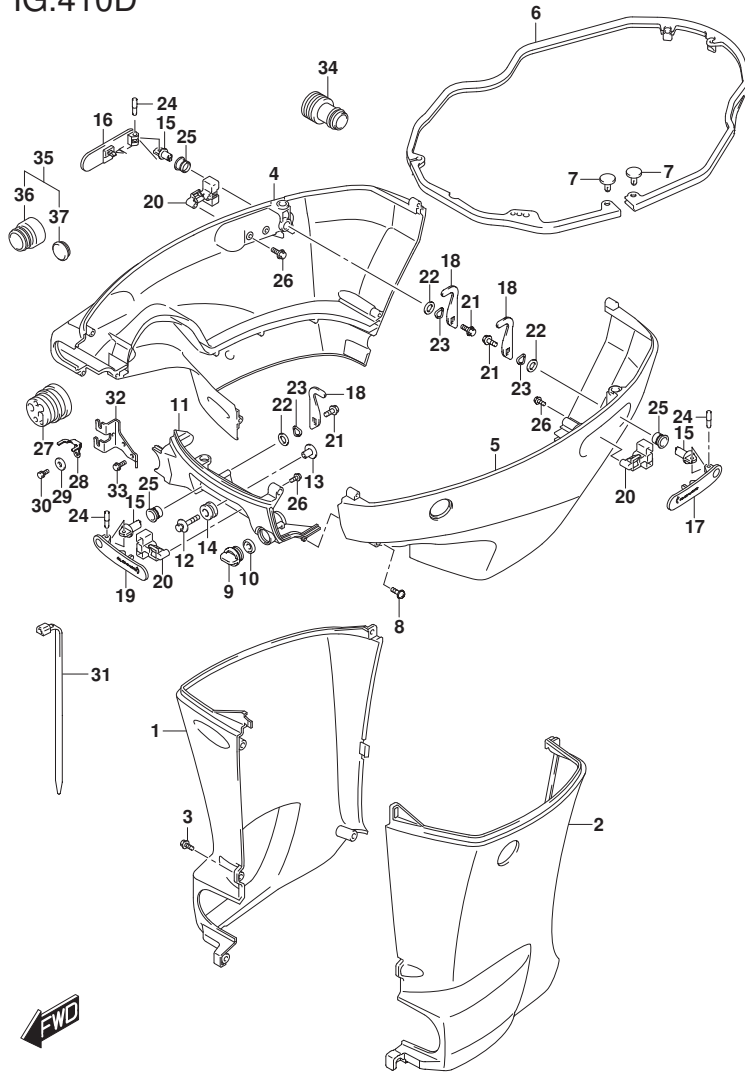


FIG.410D (1-H-10) SIDE COVER (DF200AZ E40)

REF NO.	PART NO.	DESCRIPTION	Q'TY	REMARKS
1-1	61131-96J12-0EP	COVER, OIL PAN STBD (X) (BLACK)	1	
1-2	61131-96J12-Y5S	COVER, OIL PAN STBD (X) (WHITE)	1	
2-1	61141-96J12-0EP	COVER, OIL PAN PORT (X) (BLACK)	1	
2-2	61141-96J12-Y5S	COVER, OIL PAN PORT (X) (WHITE)	1	
3	09139-06135	SCREW (6X17)	5	
4-1	61811-96L00-0EP	COVER, SIDE STBD (BLACK)	1	
4-2	61811-96L00-Y5S	COVER, SIDE STBD (WHITE)	1	
5-1	61820-96L00-0EP	COVER, SIDE PORT (BLACK)	1	
5-2	61820-96L00-Y5S	COVER, SIDE PORT (WHITE)	1	
6	61134-96J02	SEAL, SIDE COVER	1	
7	09409-05302-5PK	CLIP (BLACK)	2	
8	09136-06148	SCREW (6X35)	8	
9	17913-93J00	PLUG, WATER	1	
10	17914-93J00	GASKET, WATER PLUG	1	
11-1	61831-96J10-0EP	PANEL, FRONT (BLACK)	1	
11-2	61831-96J10-Y5S	PANEL, FRONT (WHITE)	1	
12	09116-08163	BOLT (8X38)	2	
13	09169-08039	WASHER	2	
14	09320-11013	CUSHION	2	
15	61632-93J00	SHAFT, ENGINE COVER HOOK	3	
16	61633-96J02	LEVER, HOOK RR STBD	1	
17	61634-96J02	LEVER, HOOK RR PORT	1	
18	61641-93J10	HOOK, ENGINE COVER	3	
19	61645-96J02	LEVER, HOOK FR	1	
20	61673-96J02	LATCH, HOOK LEVER	3	
21	09116-06127	BOLT (6X12)	3	
22	09160-13014	WASHER (13.2X25X1)	3	
23	09164-14008	WASHER	3	
24	09202-04022	PIN	3	

FIG.410D

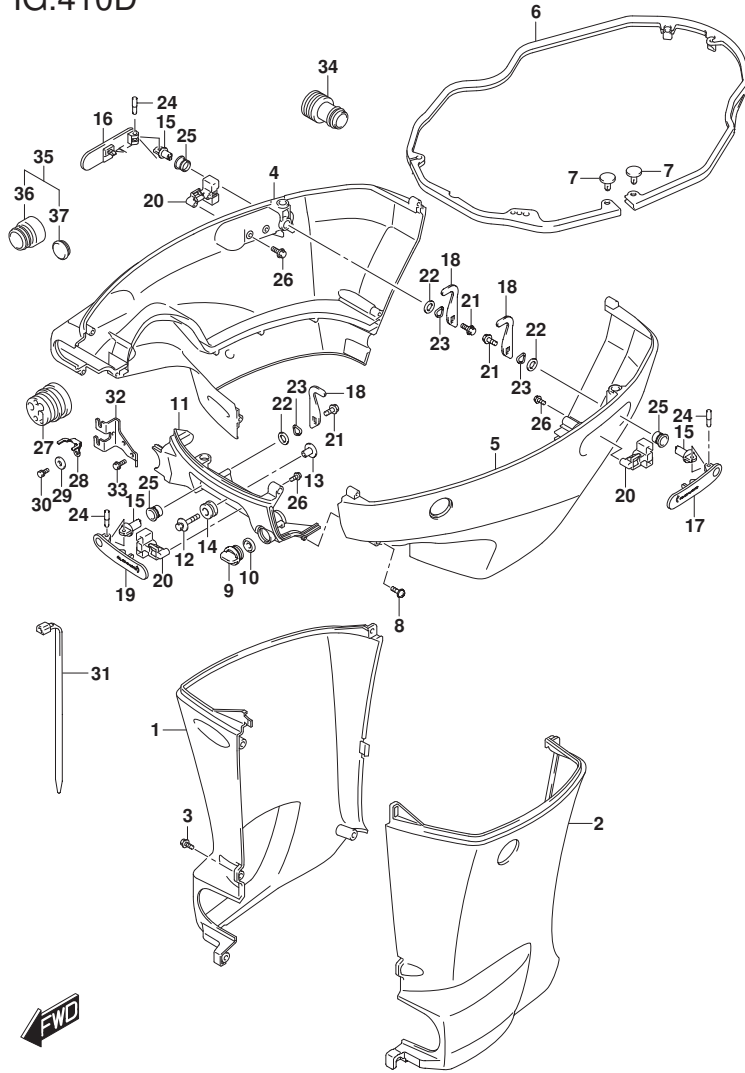


FIG.410D (1-H-11) SIDE COVER (DF200AZ E40)

REF NO.	PART NO.	DESCRIPTION	Q'TY	REMARKS
25	09306-13007	BUSH	3	
26	01550-05107	BOLT	6	
27	61124-96J02	GROMMET, REMOCON CABLE	1	
28	67343-96J00	STOPPER, REMOCON CABLE	1	
29	09160-06047	WASHER (6.5X20X2)	1	
30	01570-06127	BOLT	1	
31	09407-25402	CLAMP (L:250)	1	
32	67341-96J00	HOLDER, REMOCON CABLE	1	
33	01550-06167	BOLT	2	
34	17917-87L00	CONNECTOR, FLUSH WATER	1	
35	67300-93J00	KIT, HOSE ADAPTER	1	OPT
36	67361-93J00	.ADAPTER, HOSE	1	OPT
37	09250-21003	.PLUG (OD:28)	1	OPT

FIG.420A

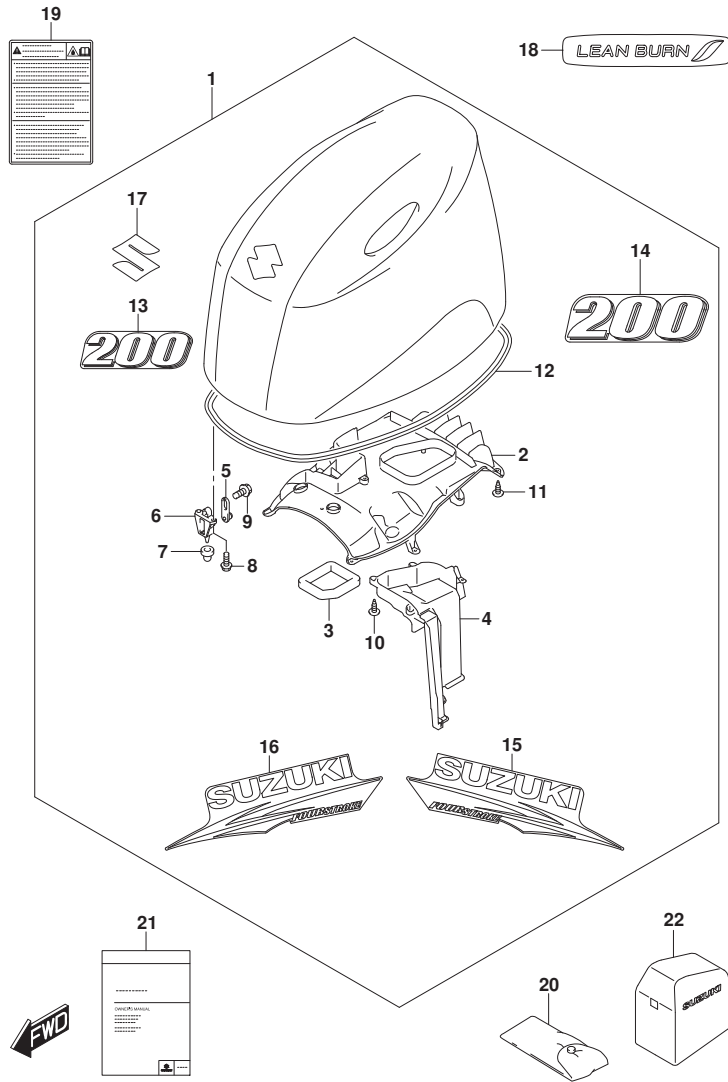


FIG.420A (1-H-12) ENGINE COVER (FOR 0EP) (DF200AT E01)

REF NO.	PART NO.	DESCRIPTION	Q'TY	REMARKS
1	61420-96830-0EP	COVER SET (BLACK)	1	
2	61433-96L00	.COVER, AIR INTAKE INNER	1	
3	61476-96J10	.SEAL, AIR VENT	1	
4	61565-96L00	.DUCT, AIR INTAKE	1	
5	61610-93J00	.FASTENER	3	
6	61621-93J00	.BRACKET, FASTENER	3	
7	09329-10022	.CUSHION	3	
8	01547-06167	.BOLT	6	
9	01550-06127	.BOLT	3	
10	03542-05169	.SCREW	5	
11	03542-05169	.SCREW	11	
12	61112-96L00	.SEAL, ENGINE COVER	1	
13	61422-93J52	.MARK, EMBLEM FRONT (200)	1	
14	61435-96L00	.MARK, EMBLEM REAR (200)	1	
15	61443-96J22	.STRIPE, ENG COVER STBD	1	
16	61453-96J22	.STRIPE, ENG COVER PORT	1	
17	77811-54GC0-0PG	.EMBLEM, "S" (CHROME)	1	
18	61471-98J00	DECAL, LEAN BURN	1	
19	61458-99E70	LABEL, ENGINE COVER	1	
20	09800-81840	TOOL SET	1	
21-1	99011-96L00-054	MANUAL, OWNER 'S	1	
21-2	99011-96L00-059	MANUAL, OWNER 'S	1	
22	68110-98J00	COVER, WEATHER	1	OPT

FIG.420B

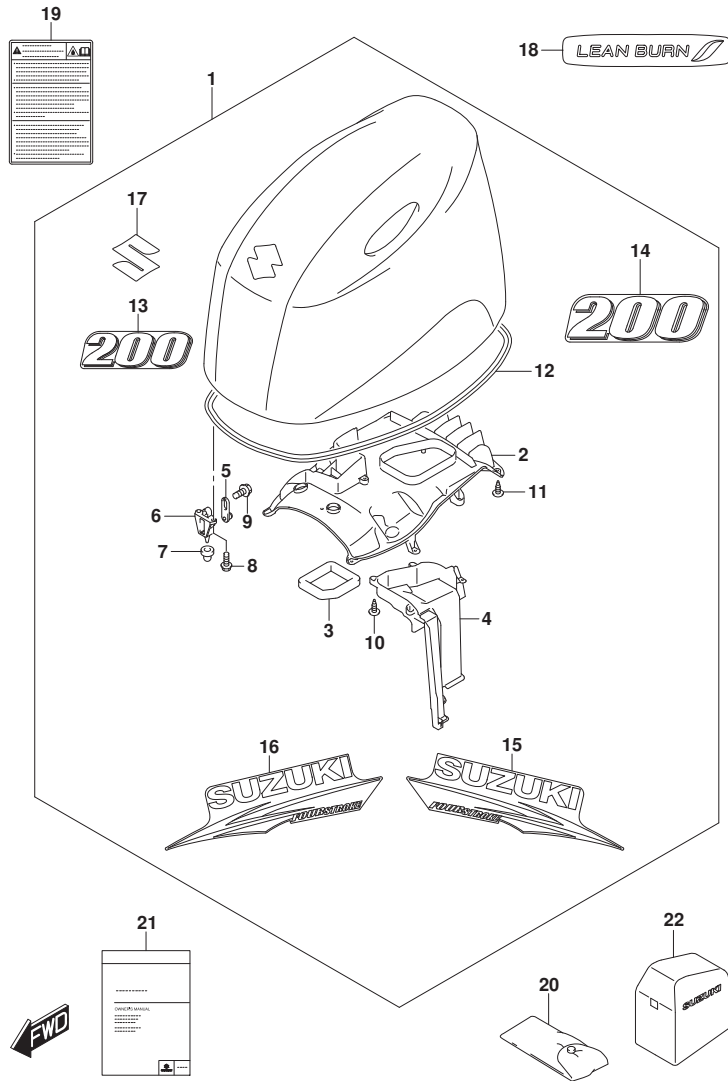


FIG.420B (1-H-13) ENGINE COVER (FOR Y5S) (DF200AT E01)

REF NO.	PART NO.	DESCRIPTION	Q'TY	REMARKS
1	61420-96840-Y5S	COVER SET (WHITE)	1	
2	61433-96L00	.COVER, AIR INTAKE INNER	1	
3	61476-96J10	.SEAL, AIR VENT	1	
4	61565-96L00	.DUCT, AIR INTAKE	1	
5	61610-93J00	.FASTENER	3	
6	61621-93J00	.BRACKET, FASTENER	3	
7	09329-10022	.CUSHION	3	
8	01547-06167	.BOLT	6	
9	01550-06127	.BOLT	3	
10	03542-05169	.SCREW	5	
11	03542-05169	.SCREW	11	
12	61112-96L00	.SEAL, ENGINE COVER	1	
13	61422-93J90	.MARK, EMBLEM FRONT (200)	1	
14	61435-96L10	.MARK, EMBLEM REAR (200)	1	
15	61443-96J30	.STRIPE, ENG COVER STBD	1	
16	61453-96J30	.STRIPE, ENG COVER PORT	1	
17	77811-54GC0-0PG	.EMBLEM, "S" (CHROME)	1	
18	61471-98J00	DECAL, LEAN BURN	1	
19	61458-99E70	LABEL, ENGINE COVER	1	
20	09800-81840	TOOL SET	1	
21-1	99011-96L00-054	MANUAL, OWNER 'S	1	
21-2	99011-96L00-059	MANUAL, OWNER 'S	1	
22	68110-98J00	COVER, WEATHER	1	OPT

FIG.420C

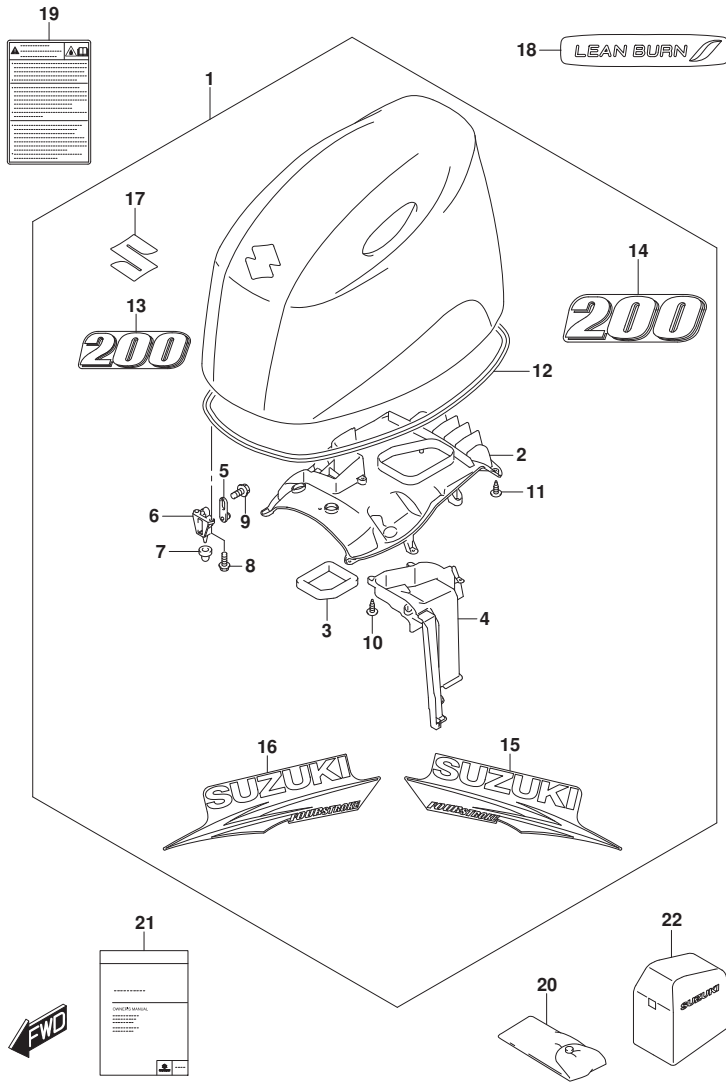


FIG.420C (1-H-14) ENGINE COVER (FOR 0EP) (DF200AT E40)

REF NO.	PART NO.	DESCRIPTION	Q'TY	REMARKS
1	61420-96830-0EP	COVER SET (BLACK)	1	
2	61433-96L00	.COVER, AIR INTAKE INNER	1	
3	61476-96J10	.SEAL, AIR VENT	1	
4	61565-96L00	.DUCT, AIR INTAKE	1	
5	61610-93J00	.FASTENER	3	
6	61621-93J00	.BRACKET, FASTENER	3	
7	09329-10022	.CUSHION	3	
8	01547-06167	.BOLT	6	
9	01550-06127	.BOLT	3	
10	03542-05169	.SCREW	5	
11	03542-05169	.SCREW	11	
12	61112-96L00	.SEAL, ENGINE COVER	1	
13	61422-93J52	.MARK, EMBLEM FRONT (200)	1	
14	61435-96L00	.MARK, EMBLEM REAR (200)	1	
15	61443-96J22	.STRIPE, ENG COVER STBD	1	
16	61453-96J22	.STRIPE, ENG COVER PORT	1	
17	77811-54GC0-0PG	.EMBLEM, "S" (CHROME)	1	
18	61471-98J00	DECAL, LEAN BURN	1	
19	61458-99E70	LABEL, ENGINE COVER	1	
20	09800-81840	TOOL SET	1	
21	99011-96L00-059	MANUAL, OWNER 'S	1	
22	68110-98J00	COVER, WEATHER	1	OPT

FIG.420D

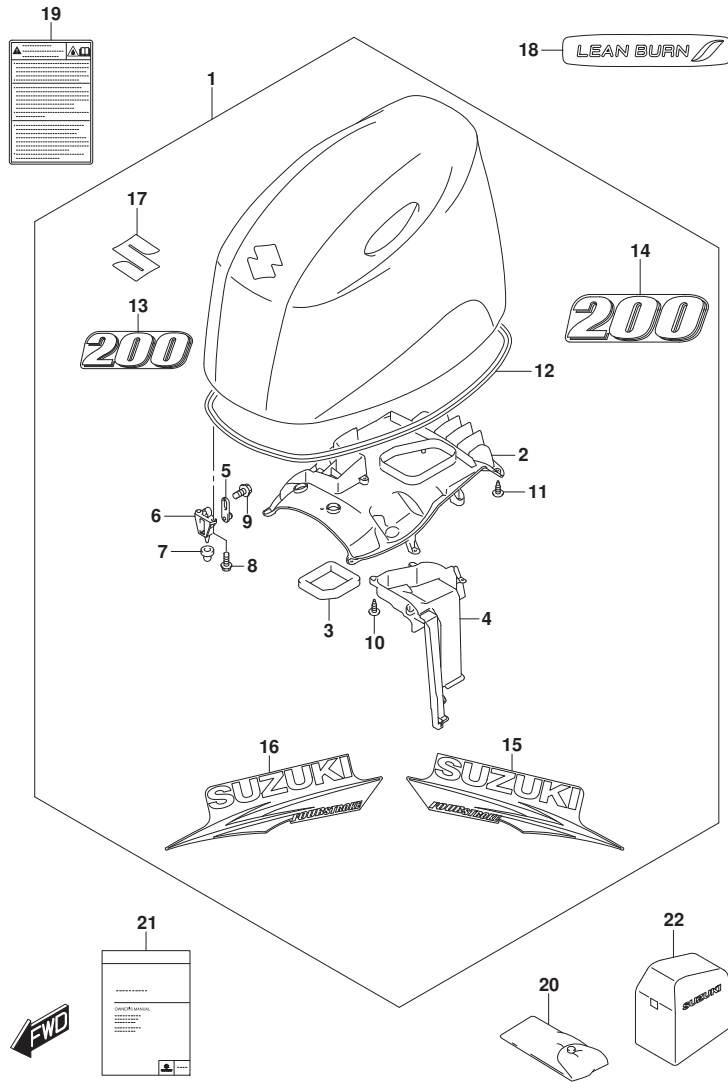


FIG.420D (1-H-15) ENGINE COVER (FOR Y5S) (DF200AT E40)

REF NO.	PART NO.	DESCRIPTION	Q'TY	REMARKS
1	61420-96840-Y5S	COVER SET (WHITE)	1	
2	61433-96L00	.COVER, AIR INTAKE INNER	1	
3	61476-96J10	.SEAL, AIR VENT	1	
4	61565-96L00	.DUCT, AIR INTAKE	1	
5	61610-93J00	.FASTENER	3	
6	61621-93J00	.BRACKET, FASTENER	3	
7	09329-10022	.CUSHION	3	
8	01547-06167	.BOLT	6	
9	01550-06127	.BOLT	3	
10	03542-05169	.SCREW	5	
11	03542-05169	.SCREW	11	
12	61112-96L00	.SEAL, ENGINE COVER	1	
13	61422-93J90	.MARK, EMBLEM FRONT (200)	1	
14	61435-96L10	.MARK, EMBLEM REAR (200)	1	
15	61443-96J30	.STRIPE, ENG COVER STBD	1	
16	61453-96J30	.STRIPE, ENG COVER PORT	1	
17	77811-54GC0-0PG	.EMBLEM, "S" (CHROME)	1	
18	61471-98J00	DECAL, LEAN BURN	1	
19	61458-99E70	LABEL, ENGINE COVER	1	
20	09800-81840	TOOL SET	1	
21	99011-96L00-059	MANUAL, OWNER 'S	1	
22	68110-98J00	COVER, WEATHER	1	OPT

FIG.420E

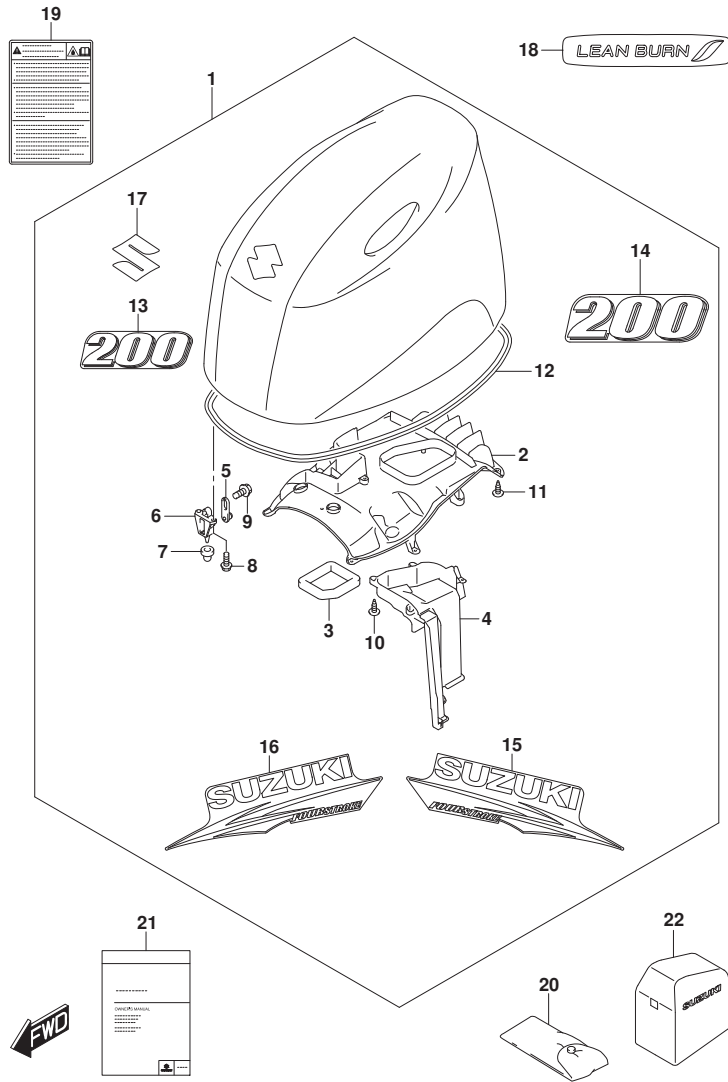


FIG.420E (1-I-2) ENGINE COVER (FOR 0EP) (DF200AZ E01)

REF NO.	PART NO.	DESCRIPTION	Q'TY	REMARKS
1	61420-96830-0EP	COVER SET (BLACK)	1	
2	61433-96L00	.COVER, AIR INTAKE INNER	1	
3	61476-96J10	.SEAL, AIR VENT	1	
4	61565-96L00	.DUCT, AIR INTAKE	1	
5	61610-93J00	.FASTENER	3	
6	61621-93J00	.BRACKET, FASTENER	3	
7	09329-10022	.CUSHION	3	
8	01547-06167	.BOLT	6	
9	01550-06127	.BOLT	3	
10	03542-05169	.SCREW	5	
11	03542-05169	.SCREW	11	
12	61112-96L00	.SEAL, ENGINE COVER	1	
13	61422-93J52	.MARK, EMBLEM FRONT (200)	1	
14	61435-96L00	.MARK, EMBLEM REAR (200)	1	
15	61443-96J22	.STRIPE, ENG COVER STBD	1	
16	61453-96J22	.STRIPE, ENG COVER PORT	1	
17	77811-54GC0-0PG	.EMBLEM, "S" (CHROME)	1	
18	61471-98J00	DECAL, LEAN BURN	1	
19	61458-99E70	LABEL, ENGINE COVER	1	
20	09800-81840	TOOL SET	1	
21-1	99011-96L00-054	MANUAL, OWNER 'S	1	
21-2	99011-96L00-059	MANUAL, OWNER 'S	1	
22	68110-98J00	COVER, WEATHER	1	OPT

FIG.420F

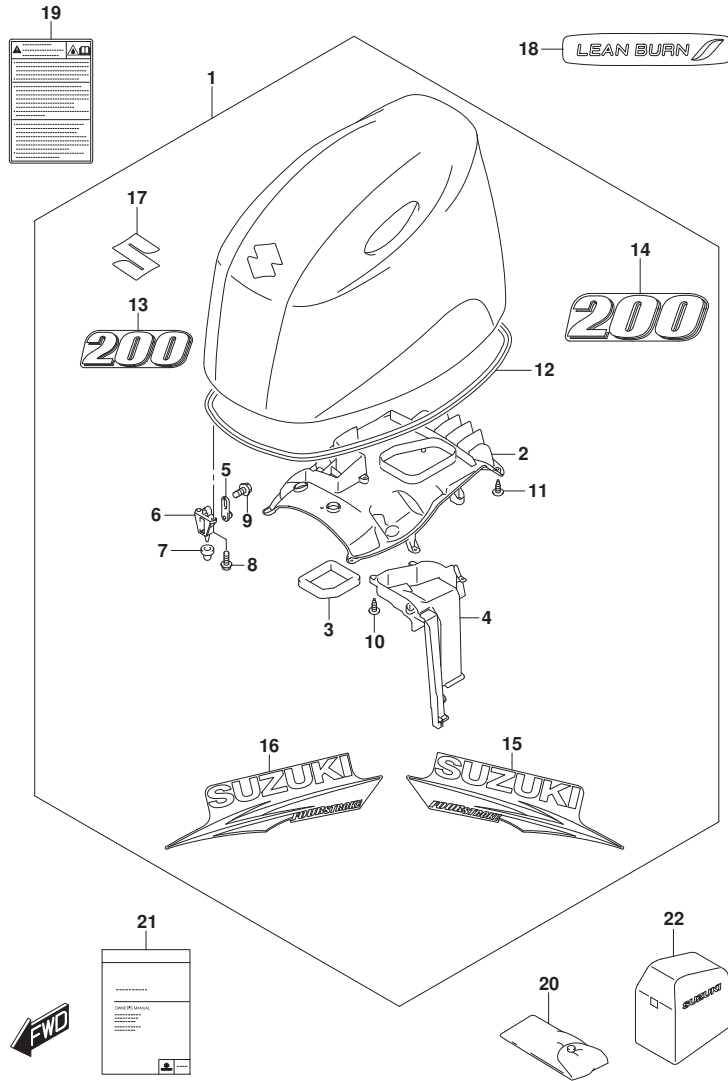


FIG.420F (1-I-3) ENGINE COVER (FOR Y5S) (DF200AZ E01)

REF NO.	PART NO.	DESCRIPTION	Q'TY	REMARKS
1	61420-96840-Y5S	COVER SET (WHITE)	1	
2	61433-96L00	.COVER, AIR INTAKE INNER	1	
3	61476-96J10	.SEAL, AIR VENT	1	
4	61565-96L00	.DUCT, AIR INTAKE	1	
5	61610-93J00	.FASTENER	3	
6	61621-93J00	.BRACKET, FASTENER	3	
7	09329-10022	.CUSHION	3	
8	01547-06167	.BOLT	6	
9	01550-06127	.BOLT	3	
10	03542-05169	.SCREW	5	
11	03542-05169	.SCREW	11	
12	61112-96L00	.SEAL, ENGINE COVER	1	
13	61422-93J90	.MARK, EMBLEM FRONT (200)	1	
14	61435-96L10	.MARK, EMBLEM REAR (200)	1	
15	61443-96J30	.STRIPE, ENG COVER STBD	1	
16	61453-96J30	.STRIPE, ENG COVER PORT	1	
17	77811-54GC0-0PG	.EMBLEM, "S" (CHROME)	1	
18	61471-98J00	DECAL, LEAN BURN	1	
19	61458-99E70	LABEL, ENGINE COVER	1	
20	09800-81840	TOOL SET	1	
21-1	99011-96L00-054	MANUAL, OWNER 'S	1	
21-2	99011-96L00-059	MANUAL, OWNER 'S	1	
22	68110-98J00	COVER, WEATHER	1	OPT

FIG.420G

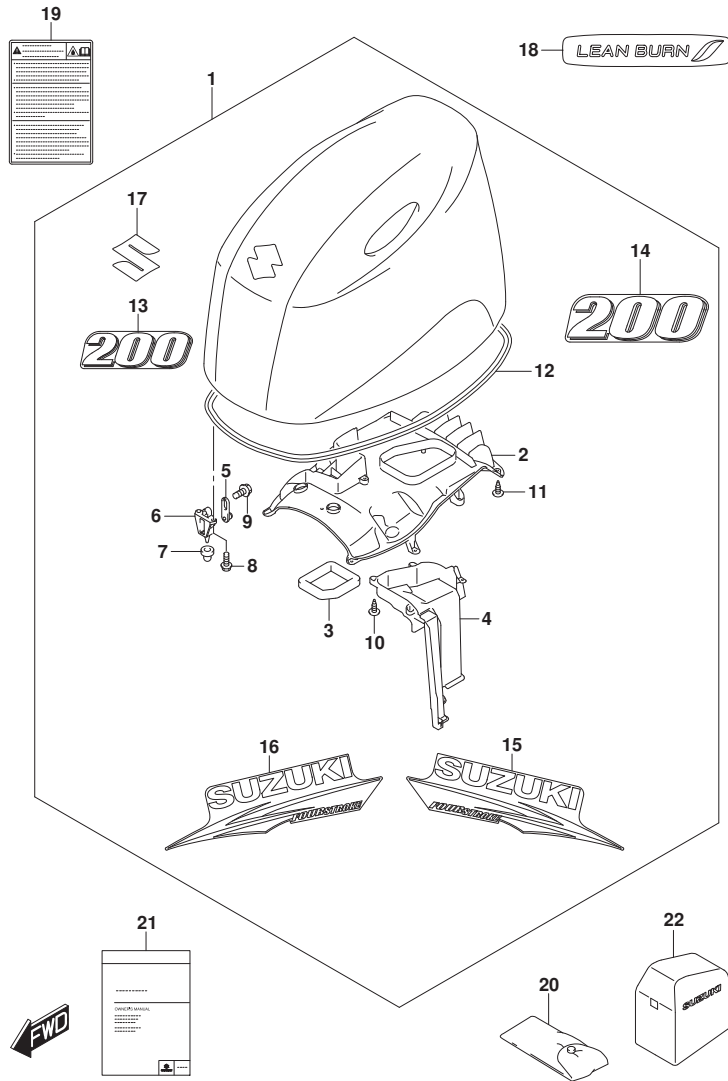


FIG.420G (1-I-4) ENGINE COVER (FOR 0EP) (DF200AZ E40)

REF NO.	PART NO.	DESCRIPTION	Q'TY	REMARKS
1	61420-96830-0EP	COVER SET (BLACK)	1	
2	61433-96L00	.COVER, AIR INTAKE INNER	1	
3	61476-96J10	.SEAL, AIR VENT	1	
4	61565-96L00	.DUCT, AIR INTAKE	1	
5	61610-93J00	.FASTENER	3	
6	61621-93J00	.BRACKET, FASTENER	3	
7	09329-10022	.CUSHION	3	
8	01547-06167	.BOLT	6	
9	01550-06127	.BOLT	3	
10	03542-05169	.SCREW	5	
11	03542-05169	.SCREW	11	
12	61112-96L00	.SEAL, ENGINE COVER	1	
13	61422-93J52	.MARK, EMBLEM FRONT (200)	1	
14	61435-96L00	.MARK, EMBLEM REAR (200)	1	
15	61443-96J22	.STRIPE, ENG COVER STBD	1	
16	61453-96J22	.STRIPE, ENG COVER PORT	1	
17	77811-54GC0-0PG	.EMBLEM, "S" (CHROME)	1	
18	61471-98J00	DECAL, LEAN BURN	1	
19	61458-99E70	LABEL, ENGINE COVER	1	
20	09800-81840	TOOL SET	1	
21	99011-96L00-059	MANUAL, OWNER 'S	1	
22	68110-98J00	COVER, WEATHER	1	OPT

FIG.420H

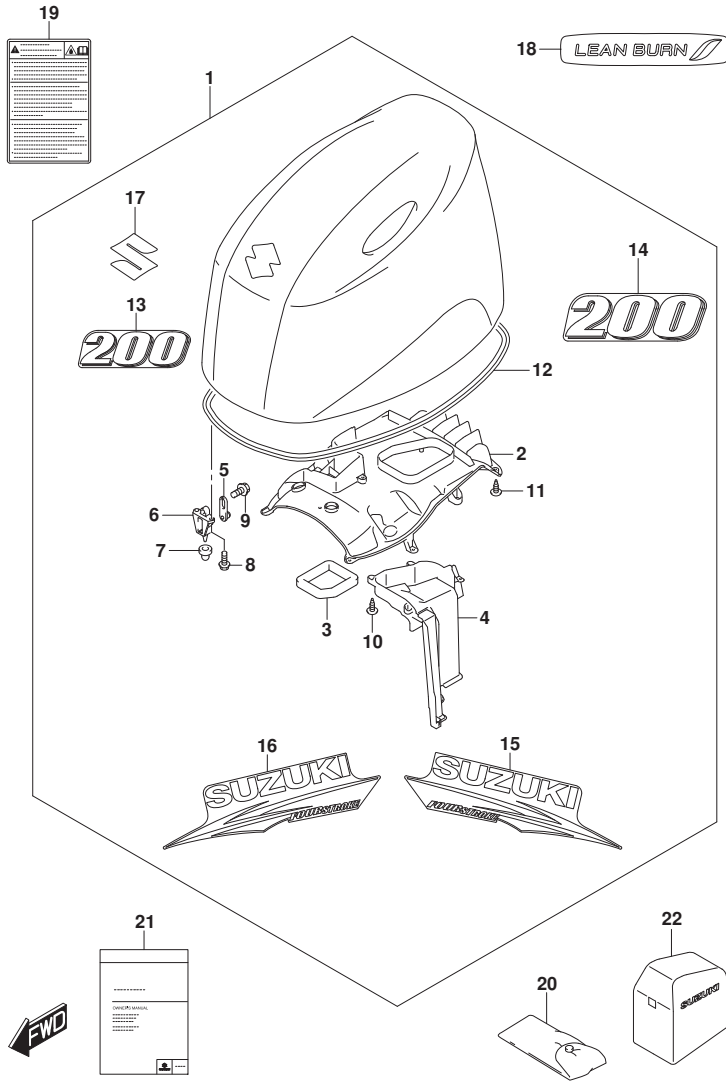


FIG.420H (1-I-5) ENGINE COVER (FOR Y5S) (DF200AZ E40)

REF NO.	PART NO.	DESCRIPTION	Q'TY	REMARKS
1	61420-96840-Y5S	COVER SET (WHITE)	1	
2	61433-96L00	.COVER, AIR INTAKE INNER	1	
3	61476-96J10	.SEAL, AIR VENT	1	
4	61565-96L00	.DUCT, AIR INTAKE	1	
5	61610-93J00	.FASTENER	3	
6	61621-93J00	.BRACKET, FASTENER	3	
7	09329-10022	.CUSHION	3	
8	01547-06167	.BOLT	6	
9	01550-06127	.BOLT	3	
10	03542-05169	.SCREW	5	
11	03542-05169	.SCREW	11	
12	61112-96L00	.SEAL, ENGINE COVER	1	
13	61422-93J90	.MARK, EMBLEM FRONT (200)	1	
14	61435-96L10	.MARK, EMBLEM REAR (200)	1	
15	61443-96J30	.STRIPE, ENG COVER STBD	1	
16	61453-96J30	.STRIPE, ENG COVER PORT	1	
17	77811-54GC0-0PG	.EMBLEM, "S" (CHROME)	1	
18	61471-98J00	DECAL, LEAN BURN	1	
19	61458-99E70	LABEL, ENGINE COVER	1	
20	09800-81840	TOOL SET	1	
21	99011-96L00-059	MANUAL, OWNER 'S	1	
22	68110-98J00	COVER, WEATHER	1	OPT

FIG.430A

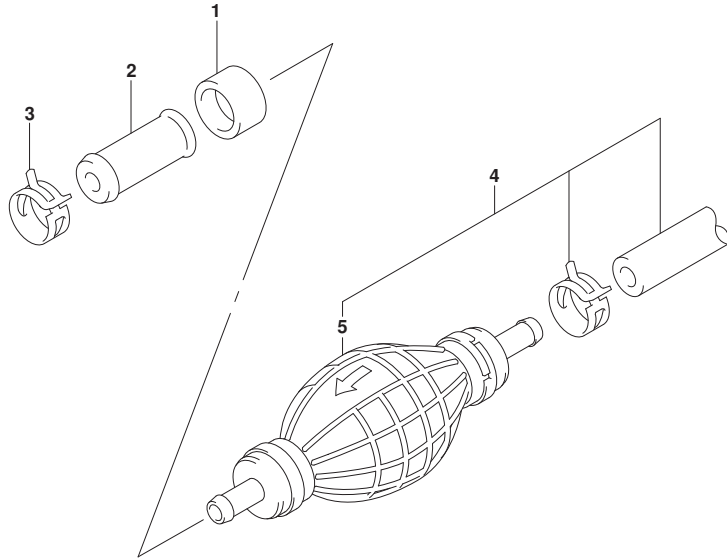


FIG.430A (1-1-6) FUEL HOSE

REF NO.	PART NO.	DESCRIPTION	QTY	REMARKS
1	09251-09002	CAP (OD:13.6)	1	
2	09367-10001	JOINT	1	
3	09401-13423	CLIP	2	
4	65700-93J02	HOSE, FUEL (TANK TO CONN)	1	
5	65770-93J11	.PUMP, SQUEEZE	1	

FIG.460A

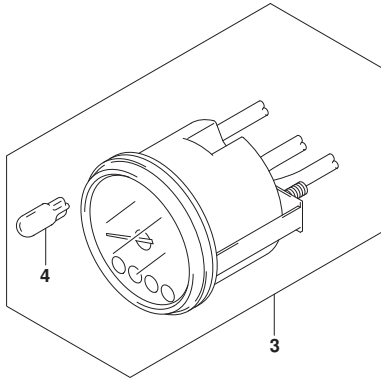
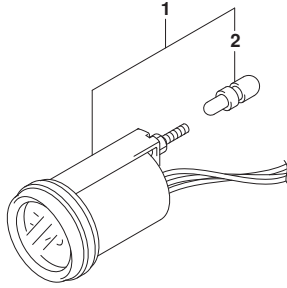


FIG.460A (1-1-7) METER

REF NO.	PART NO.	DESCRIPTION	Q'TY	REMARKS
1-1	34800-93J00	METER ASSY, TRIM	1	BLACK
1-2	34800-93J11	METER ASSY, TRIM	1	WHITE
2	09471-12108	.BULB (12V1.7W,T6.5)	1	
3-1	34200-93J00	TACHOMETER ASSY, WITH MONITOR	1	BLACK
3-2	34200-93J12	TACHOMETER ASSY, WITH MONITOR	1	WHITE
4	09471-12077	.BULB (12V,1.7W)	1	

FIG.502A

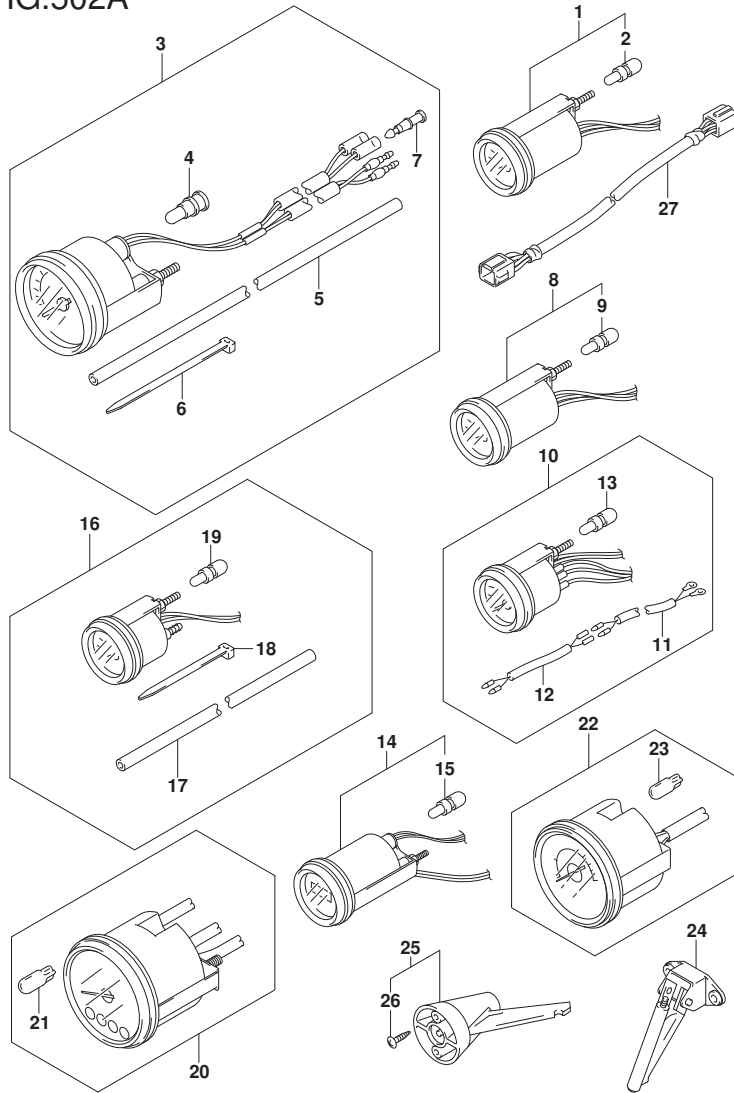


FIG.502A (1-I-8) OPT:METER (1)

REF NO.	PART NO.	DESCRIPTION	Q'TY	REMARKS
1-1	34800-93J00	METER ASSY, TRIM	1	BLACK
1-2	34800-93J11	METER ASSY, TRIM	1	WHITE
2	09471-12108	.BULB (12V1.7W,T6.5)	1	
3-1	34100-93J00	SPEEDOMETER ASSY	1	MAX 130KM/H BLACK
3-2	34100-93J11	SPEEDOMETER ASSY	1	MAX 130KM/H WHITE
3-3	34100-93J20	SPEEDOMETER ASSY	1	MAX 80KM/H BLACK
3-4	34100-93J31	SPEEDOMETER ASSY	1	MAX 80KM/H WHITE
3-5	34100-93J40	SPEEDOMETER ASSY	1	MAX 45KNOTS BLACK
3-6	34100-93J51	SPEEDOMETER ASSY	1	MAX 45KNOTS WHITE
3-7	34100-93J60	SPEEDOMETER ASSY	1	MAX 65KNOTS WHITE
4	09471-12028	.BULB (12V,3.4W)	1	
5	34191-92E00	.TUBE	1	
6	09407-14407	.CLAMP (L:145)	2	
7	36615-96300	.TERMINAL, RESIN	2	
8-1	34600-93J00	METER ASSY, VOLTAGE	1	BLACK
8-2	34600-93J11	METER ASSY, VOLTAGE	1	WHITE
9	09471-12103	.BULB (12V,3W,T6.5)	1	
10-1	34300-93J00	GAUGE ASSY, FUEL	1	BLACK
10-2	34300-93J11	GAUGE ASSY, FUEL	1	WHITE
11	34310-92E00	.LEAD, FUEL GAUGE	1	
12	34360-92E00	ADAPTER, FUEL GAUGE	1	
13	09471-12103	.BULB (12V,3W,T6.5)	1	
14-1	34500-93J00	METER ASSY, HOUR	1	BLACK
14-2	34500-93J11	METER ASSY, HOUR	1	WHITE
15	09471-12103	.BULB (12V,3W,T6.5)	1	
16-1	34650-93J20	GAUGE ASSY, WATER PRESSURE	1	15PSI BLACK
16-2	34650-93J31	GAUGE ASSY, WATER PRESSURE	1	15PSI WHITE
17	34191-92E00	.TUBE	1	
18	09407-14407	.CLAMP (L:145)	2	
19	09471-12103	.BULB (12V,3W,T6.5)	1	
20-1	34200-93J00	TACHOMETER ASSY, WITH MONITOR	1	BLACK
20-2	34200-93J12	TACHOMETER ASSY, WITH MONITOR	1	WHITE
21	09471-12077	.BULB (12V,1.7W)	1	

FIG.502A

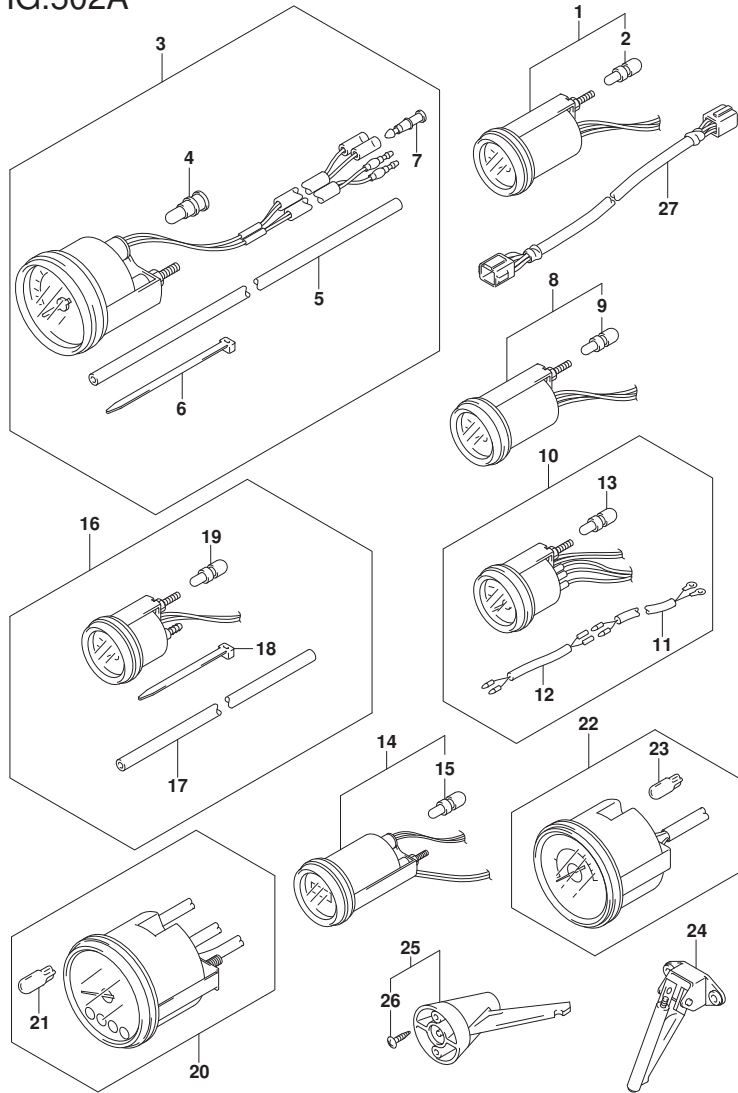


FIG.502A (1-I-9) OPT:METER (1)

REF NO.	PART NO.	DESCRIPTION	Q'TY	REMARKS
22-1	34200-93J40	TACHOMETER ASSY, WITH MONITOR	1	BLACK
22-2	34200-93J51	TACHOMETER ASSY, WITH MONITOR	1	WHITE
23	09471-12077	.BULB (12V,1.7W)	1	
24	34190-87D00	SENDER ASSY, SPEEDOMETER	1	
25	34190-95500	SENDER ASSY, SPEEDOMETER	1	
26	03112-06303	.SCREW	2	
27	36682-92E00	WIRE, TRIM METER EXT (L:6500)	1	

FIG.503A

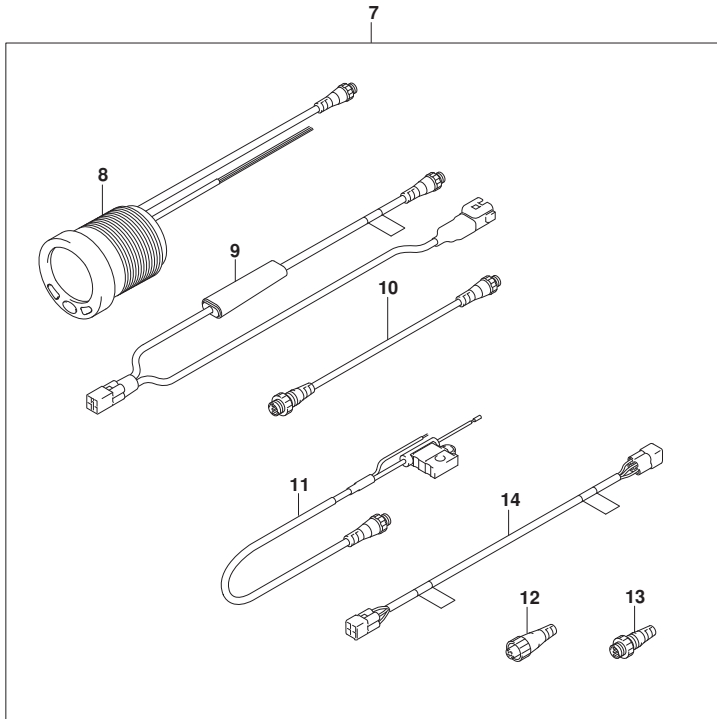
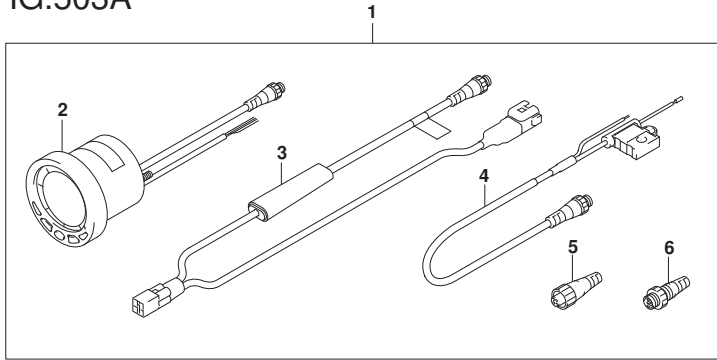


FIG.503A (1-I-10) OPT:METER (2)

REF NO.	PART NO.	DESCRIPTION	Q'TY	REMARKS
1	34011-88L04	KIT, 4 IN MULTI GAUGE	1	
2	34200-88L02	.GAUGE ASSY, 4 IN MULTI	1	
3	34922-88L03	.UNIT, INTERFACE	1	
4	36663-88L00	.HARNESS ASSY, NETWORK POWER	1	
5	36665-88L00	.UNIT, RESISTOR FEMALE	1	
6	36665-88L10	.UNIT, RESISTOR MALE	1	
7	34011-88L14	KIT, 2 IN MULTI GAUGE	1	
8	34800-88L01	.GAUGE ASSY, 2 IN MULTI	1	
9	34922-88L03	.UNIT, INTERFACE	1	
10	36662-88L00	.WIRE, 25 EXTENSION	1	
11	36663-88L00	.HARNESS ASSY, NETWORK POWER	1	
12	36665-88L00	.UNIT, RESISTOR FEMALE	1	
13	36665-88L10	.UNIT, RESISTOR MALE	1	
14	36668-88L00	.WIRE, ADAPTER TO DIAGNS	1	

FIG.508A

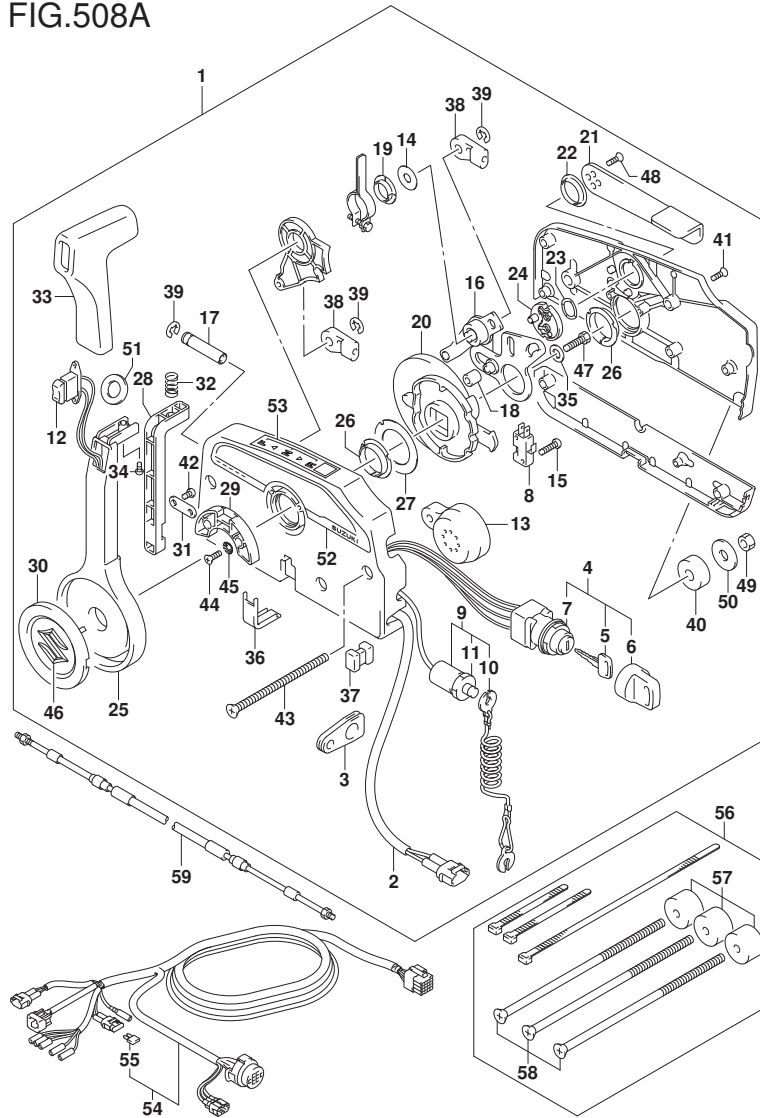


FIG.508A (1-I-11) OPT:REMOTE CONTROL

REF NO.	PART NO.	DESCRIPTION	Q'TY	REMARKS
1	67200-93J50	REMOTE CONTROL ASSY	1	
2	36646-93J01	.WIRE ASSY, PTT SW ADAPTER	1	
3	36628-92E00	.GROMMET, WIRE HARNESS	1	
4	37110-93J11	.SWITCH ASSY, IGNITION	1	
5-1	37141-99E00	..KEY (931)	2	
5-2	37141-99E10	..KEY (932)	2	
5-3	37141-99E20	..KEY (933)	2	
5-4	37141-99E30	..KEY (934)	2	
5-5	37141-99E40	..KEY (935)	2	
5-6	37141-99E50	..KEY (936)	2	
5-7	37141-99E60	..KEY (937)	2	
5-8	37141-99E70	..KEY (938)	2	
5-9	37141-99E80	..KEY (939)	2	
5-10	37141-99E90	..KEY (940)	2	
5-11	37141-99EA0	..KEY (941)	2	
5-12	37141-99EB0	..KEY (942)	2	
6	37143-99E00	..CAP, KEY	2	
7	37149-93J00	..CAP CYLINDER BODY	1	
8	37721-93J91	.SWITCH, NEUTRAL	1	
9	37820-93J04	.SWITCH ASSY, EMERGENCY	1	
10	37823-92E01	..PLATE	1	
11	37826-92J00	..NUT	1	
12	37850-90J05	.SWITCH ASSY, PTT	1	
13	38500-93J90	.BUZZER	1	
14	67212-95600	.WASHER	1	
15	67296-92E11	.SCREW, NEUTRAL SW	2	
16	67220-95630	.PLATE ASSY	1	
17	67223-99E10	.KNOB, BRAKE ADJ	1	
18	67229-95600	.ROLLER	1	
19	67232-95600	.BUSH	1	
20	67238-87D00	.GEAR, DRIVE	1	
21	67241-99E10	.LEVER, FREE THROTTLE	1	
22	67243-95600	.BUSH	1	
23	67244-95600	.WASHER, WAVE	1	

FIG.508A

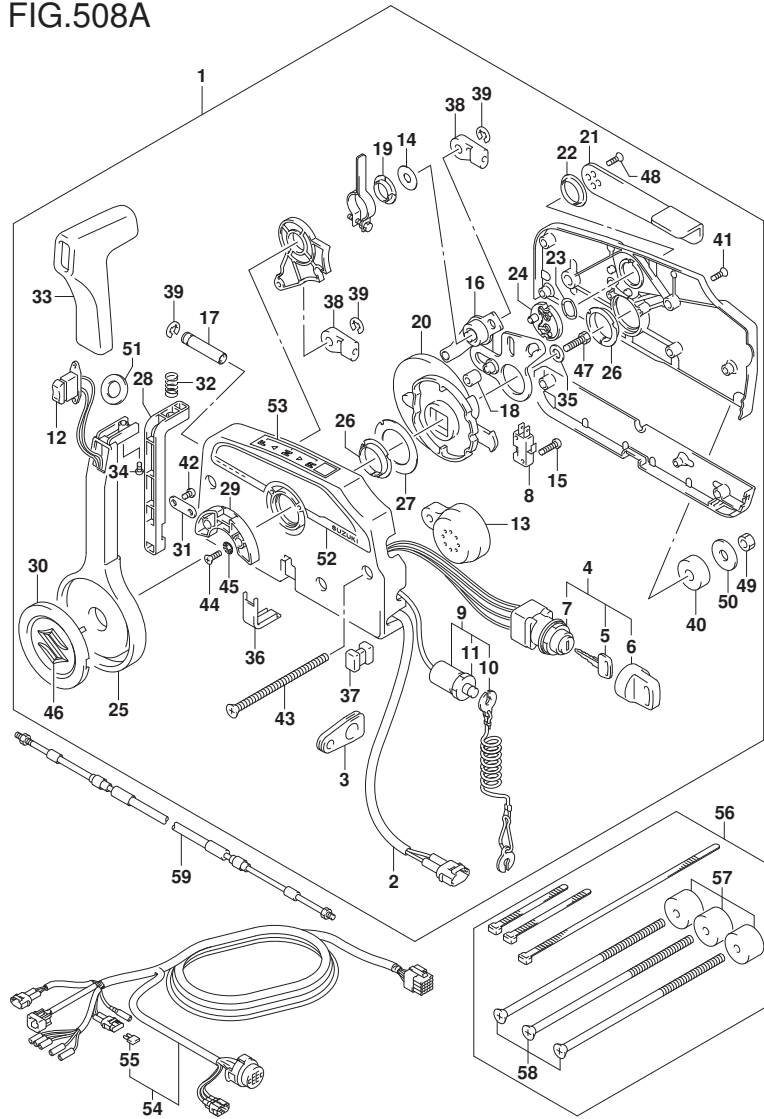
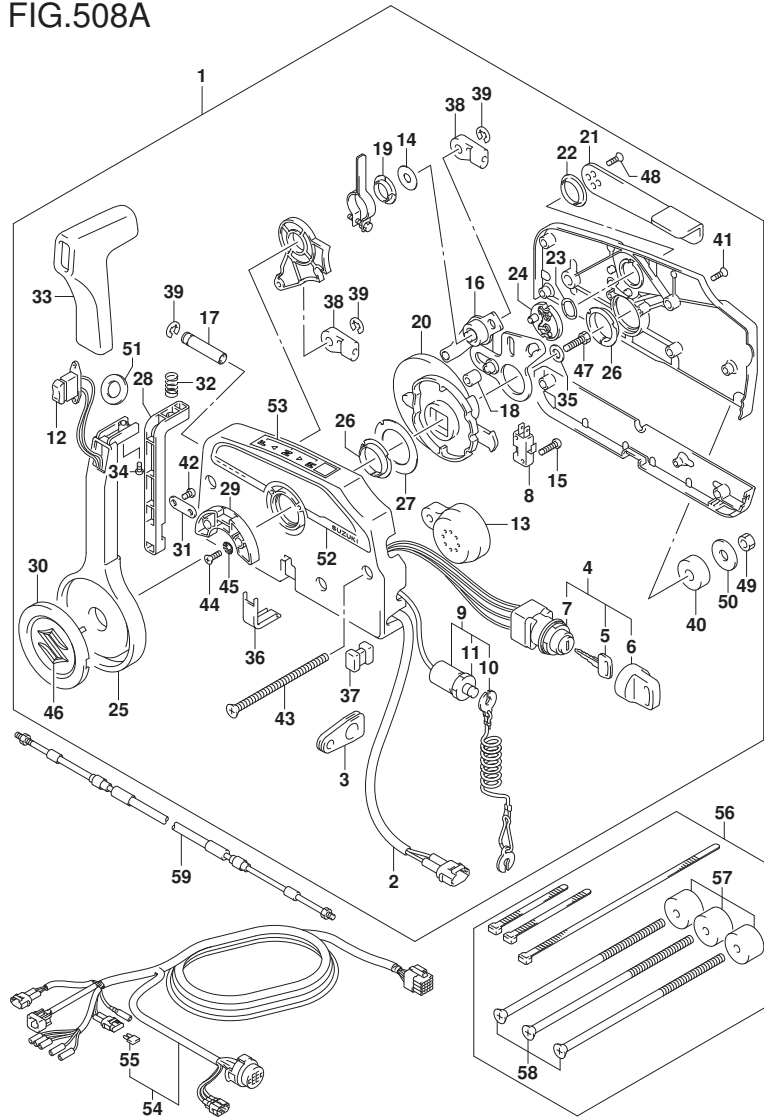


FIG.508A (1-I-12) OPT:REMOTE CONTROL

REF NO.	PART NO.	DESCRIPTION	Q'TY	REMARKS
24	67245-95600	.DRUM, FREE THROTTLE	1	
25	67251-99E20	.LEVER, HANDLE	1	
26	67252-95600	.BUSH	2	
27	67253-95600	.WASHER	1	
28	67255-99E10	.ARM, LOCK	1	
29	67256-95600	.HOLDER, NEUT LOCK	1	
30	67257-99E10	.CAP, LEVER	1	
31	67258-99E00	.BRACKET, LOCK ARM	1	
32	67259-87D00	.SPRING, NEUTRAL ARM	1	
33	67261-99E10	.GRIP	1	
34	67296-94310	.SCREW	1	
35	67264-95600	.WASHER	1	
36	67267-93J00	.COVER, WIRE	1	
37	67273-95600	.SPACER	1	
38	67275-95600	.END, CABLE	2	
39	67292-94300	.E RING	3	
40	67294-95600	.SPACER	3	
41	67296-90J00	.SCREW	5	
42	67296-94300	.SCREW	2	
43	67296-95600	.SCREW	3	
44	67296-95610	.SCREW	2	
45	67297-95600	.WASHER	2	
46	77811-54GB0-0PG	.EMBLEM, REAR MARK S (CHROME)	1	
47	09100-08232	.BOLT (8X30)	1	
48	09126-05003	.SCREW (5X12)	2	
49	09140-06020	.NUT	3	
50	09160-06104	.WASHER (6.5X24X2)	3	
51	37859-90J00	.SPACER	1	
52	67282-94L00	.DECAL, REMOCON SIDE	1	
53	67284-94L00	.MARK, HANDLE LEVER	1	
54-1	36620-93J02	WIRE ASSY, REMOTE CONTROL	1	L:5000
54-2	36620-93J52	WIRE ASSY, REMOTE CONTROL	1	L:3500
54-3	36620-93J62	WIRE ASSY, REMOTE CONTROL	1	L:6500
55	09481-10501	.FUSE (10A)	1	

FIG.508A



DF200A_E01_015_508A
OPT:REMOTE CONTROL

FIG.508A (1-I-13) OPT:REMOTE CONTROL

REF NO.	PART NO.	DESCRIPTION	Q'TY	REMARKS
56	67140-95600	ATTACHMENT, TWIN REMOCON KIT	1	
57	67294-95600	.SPACER	3	
58	67296-95621	.SCREW (L:165)	3	
59-1	67320-93J00	CABLE, REMOCON 8F (2.4M)	1	
59-2	67320-93J10	CABLE, REMOCON 10F (3.1M)	1	
59-3	67320-93J20	CABLE, REMOCON 12F (3.7M)	1	
59-4	67320-93J30	CABLE, REMOCON 14F (4.2M)	1	
59-5	67320-93J40	CABLE, REMOCON 16F (4.8M)	1	
59-6	67320-93J50	CABLE, REMOCON 18F (5.4M)	1	
59-7	67320-93J60	CABLE, REMOCON 20F (6.1M)	1	
59-8	67320-93J70	CABLE, REMOCON 22F (6.7M)	1	
59-9	67320-93J80	CABLE, REMOCON 24F (7.3M)	1	

DF200A_E01_015

FIG.517A

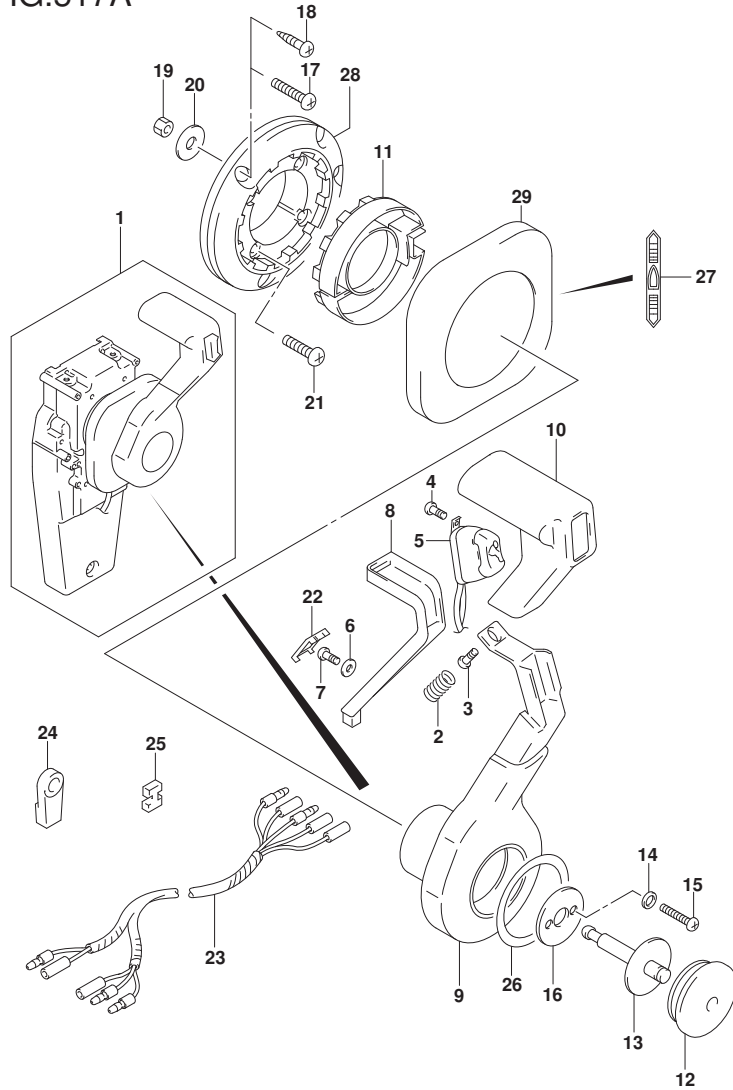


FIG.517A (1-I-14) OPT:CONCEALED REMOCON (1)

REF NO.	PART NO.	DESCRIPTION	Q'TY	REMARKS
1	67200-93J32	REMOTE CONTROL ASSY	1	
2	67298-92E50	.SPRING	1	
3	67296-94310	.SCREW	1	
4	67295-92E10	.SCREW (3X12)	2	
5	37850-92E26	.SWITCH ASSY, PTT	1	
6	67288-92E60	.WASHER	1	
7	09125-04021	.SCREW (4X20)	1	
8	67255-92E50	.ARM, NEUTRAL LOCK	1	
9	67251-92E50	.LEVER	1	
10	67261-92E50	.GRIP	1	
11	67256-92E50	.HOLDER, NEUTRAL LOCK	1	
12	67257-92E00	.CAP, LEVER	1	
13	67242-92E50	.SHAFT, FREE ACC	1	
14	67288-92E20	.WASHER	6	
15	67296-88D10	.SCREW (5X16)	4	
16	67288-92E70	.WASHER	1	
17	67296-88D20	.SCREW (6X35)	3	
18	67295-92E50	.SCREW (6X30)	3	
19	67287-92E50	.NUT	3	
20	09160-06104	.WASHER (6.5X24X2)	3	
21	67296-88D30	.SCREW (5X30)	4	
22	67254-92E50	.COVER, LOCK ARM	1	
23	36890-93J00	.WIRING ASSY	1	
24	67275-95600	.ENG CABLE	2	
25	67273-95600	.SPACER	1	
26	67283-92E50	.DECAL, LEVER	1	
27	67284-92E50	.DECAL, CLUTCH	1	
28	67274-92E50	.BASE	1	
29	67211-92E50	.COVER	1	

FIG.518A

FIG.518A (1-15) OPT: CONCEALED REMOCON (2)

REF NO.	PART NO.	DESCRIPTION	Q'TY	REMARKS
1	67200-93J32	REMOTE CONTROL ASSY	1	
2	67222-92E50	.DUEL PLATE	1	
3	67292-94300	.E RING	3	
4	67288-92E10	.WASHER	1	
5	67291-92E00	.SNAP RING	2	
6	67223-92E50	.BRAKE ADJUST	1	
7	67221-92E50	.HOLDER ASSY	1	
8	67224-92E50	.BRAKE SHOE ASSY	1	
9	67225-92E50	.DISK, BRAKE	1	
10	09140-06020	.NUT	2	
11	67294-92E00	.SPACER	1	
12	37721-95500	.SWITCH ASSY, NEUTRAL	1	
13	67296-92E11	.SCREW (3X15)	2	
14	67226-92E10	.BOLT, STOPPER (REAR)	2	
15	67296-92E20	.SCREW (5X25)	2	
16	67240-92E50	.ARM ASSY, THROTTLE	1	
17	67228-92E00	.WASHER	1	
18	67286-92E00	.BOLT (6X18)	3	
19	67230-92E00	.ARM ASSY, SHIFT	1	
20	09125-05042	.SCREW (5X10)	11	
21	67234-92E00	.GEAR CASE	1	
22	67245-92E00	.LEVER ASSY, THROTTLE	1	
23	67227-92E00	.STOPPER	1	
24	67296-88D10	.SCREW (6X20)	2	
25	67225-92E00	.SPRING	1	
26	09125-04004	.SCREW (4X6)	1	
27	67233-92E00	.SPRING	1	
28	67235-92E00	.PLATE, SHIFT LOCK	1	
29	67239-92E10	.PLATE, SHIFT PIN	1	
30	67236-92E00	.ROLLER	1	
31	67237-92E01	.SPRING	5	
32	67238-92E50	.GEAR, DRIVE	1	
33	67239-92E00	.PIN	1	
34	67246-92E50	.SHAFT, DRIVE	1	

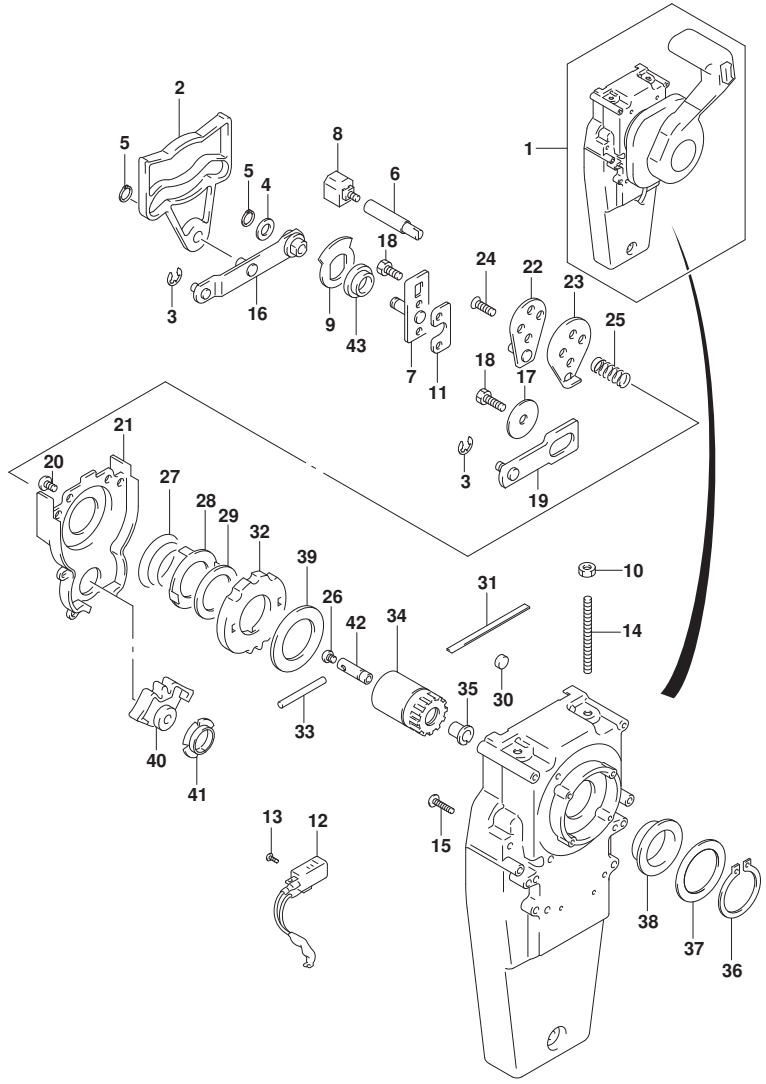


FIG.518A

FIG.518A (1-J-2) OPT:CONCEALED REMOCON (2)

REF NO.	PART NO.	DESCRIPTION	Q'TY	REMARKS
35	67252-92E00	.BUSH	1	
36	67291-92E10	.SNAP RING	1	
37	67253-92E10	.WASHER	1	
38	67252-92E10	.BUSH	1	
39	67253-95600	.WASHER	1	
40	67231-92E00	.GEAR, SHIFT	1	
41	67232-95600	.BUSH	1	
42	67241-92E50	.ROD, FREE ACC	1	
43	67232-92E50	.BUSH	1	

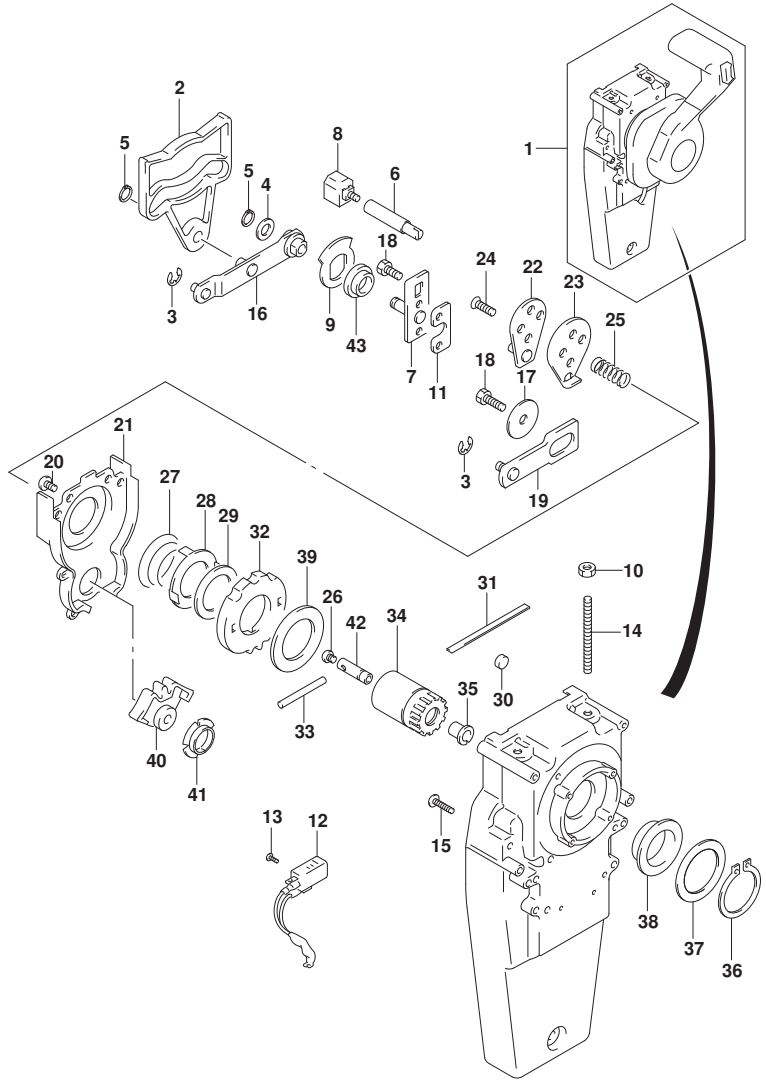


FIG.522A

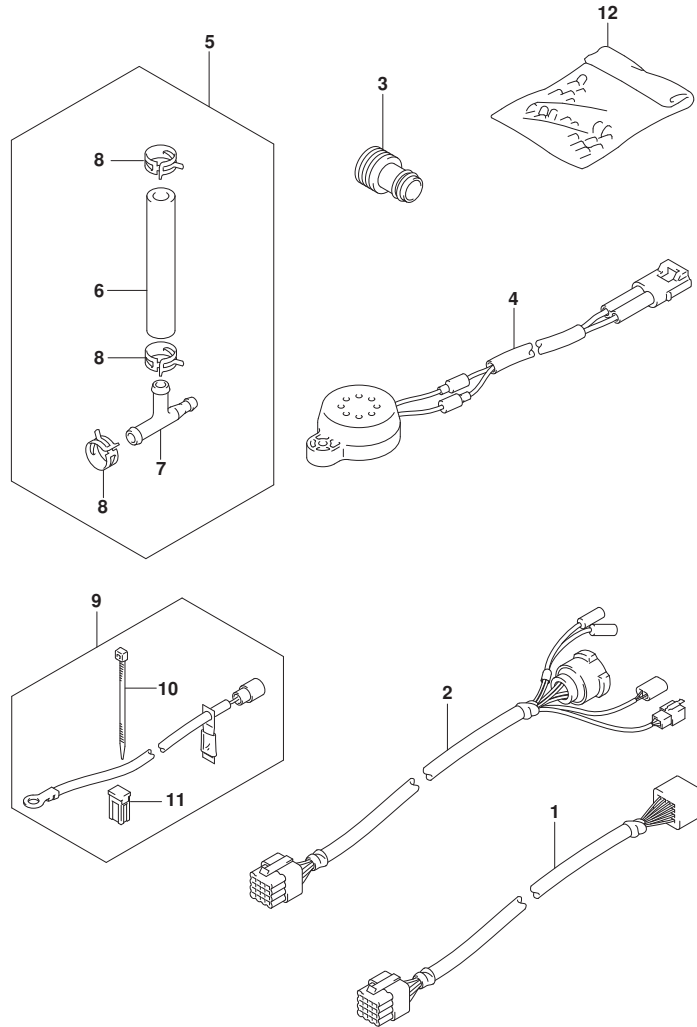


FIG.522A (1-J-3) OPT:HARNESS (1)

REF NO.	PART NO.	DESCRIPTION	Q'TY	REMARKS
1-1	36620-93J10	WIRE ASSY, REMOCON EXTENSION	1	L:2000
1-2	36620-93J40	WIRE ASSY, REMOCON EXTENSION	1	L:3000
2	36620-93J30	WIRE ASSY, REMOCON ADAPTER NO.2	1	
3	17917-87L00	CONNECTOR, FLUSH WATER	1	
4	38500-93J00	BUZZER ASSY, WARNING	1	
5	34660-96J00	KIT, WATER PRESS GAUGE	1	
6	09352-50903-600	.HOSE (5X9X600)	1	L:600->70
7	09367-06006	.3 WAY	1	
8	09401-08413	.CLIP	3	
9	33830-98J11	SET, BATTERY ISOLATOR LEAD	1	
10	09407-10404	.CLAMP (L:100)	2	
11	09481-40401	.FUSE (40A)	1	
12	36990-87D00	TERMINAL SET, WITH SLEEVE	1	

FIG.523A

FIG.523A (1-J-4) OPT:HARNESS (2)

REF NO.	PART NO.	DESCRIPTION	Q'TY	REMARKS
1-1	36663-98J00	HARNESS ASSY, ACTIVE HUB PWR S	1	L:2500
1-2	36663-98J10	HARNESS ASSY, ACTIVE HUB PWR L	1	L:6000
2	09481-05501	.FUSE (5A)	1	

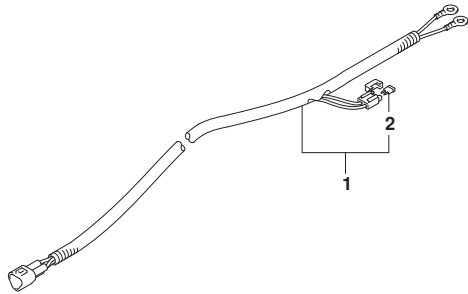


FIG.530A

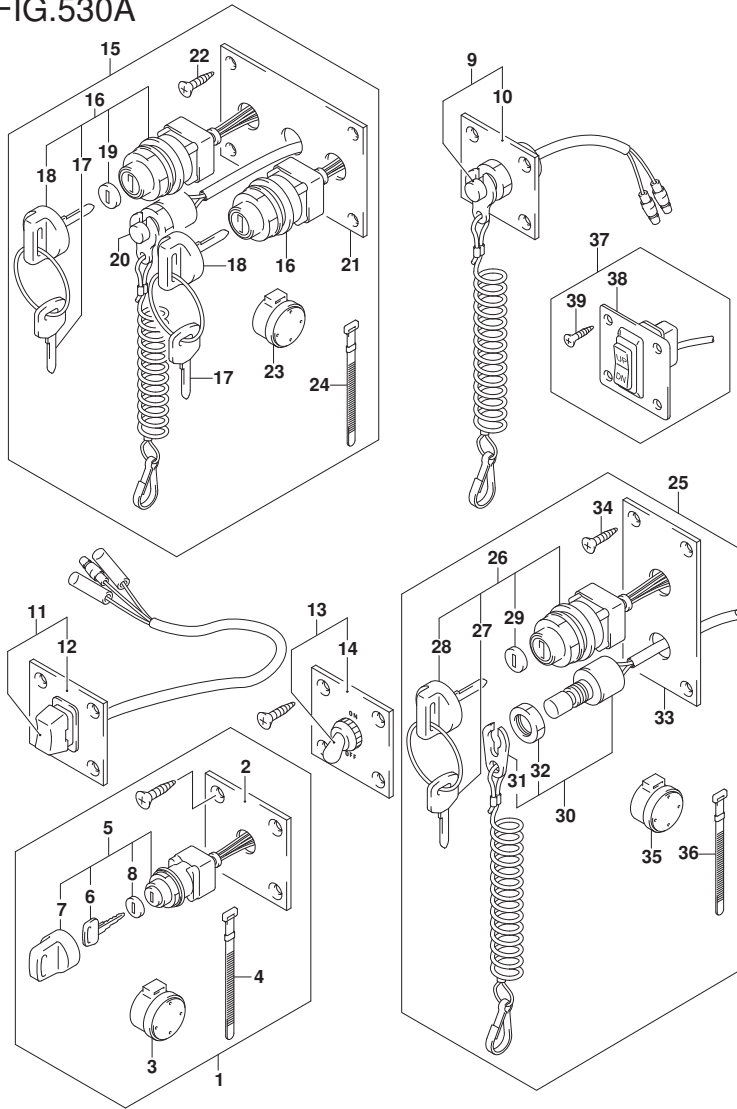


FIG.530A (1-J-5) OPT:SWITCH

REF NO.	PART NO.	DESCRIPTION	Q'TY	REMARKS
1	37100-96J00	PANEL ASSY, IGNITION SW	1	
2	37139-99E00	.PANEL, IGNITION SW	1	
3	38500-93J90	.BUZZER ASSY, WARNING	1	
4	09407-08401	.CLAMP (L:80)	1	
5	37110-93J01	.SWITCH ASSY, IGNITION	1	
6-1	37141-99E00	..KEY (931)	2	
6-2	37141-99E10	..KEY (932)	2	
6-3	37141-99E20	..KEY (933)	2	
6-4	37141-99E30	..KEY (934)	2	
6-5	37141-99E40	..KEY (935)	2	
6-6	37141-99E50	..KEY (936)	2	
6-7	37141-99E60	..KEY (937)	2	
6-8	37141-99E70	..KEY (938)	2	
6-9	37141-99E80	..KEY (939)	2	
6-10	37141-99E90	..KEY (940)	2	
6-11	37141-99EA0	..KEY (941)	2	
6-12	37141-99EB0	..KEY (942)	2	
7	37143-99E00	..CAP, KEY	1	
8	37149-93J00	..CAP, CYLINDER BODY	1	
9	37803-93J04	PANEL ASSY, EMERGENCY SW	1	
10	37825-99E00	.PANEL, EMERGENCY SW	1	
11	37805-93J00	PANEL ASSY, PTT SW	1	
12	37855-99E00	.PANEL, PTT SW	1	
13	37210-93J00	PANEL ASSY, LIGHTING SW	1	
14	37212-93J00	.PANEL, LIGHTING SW	1	
15	37100-96J14	PANEL ASSY, DUAL ENGINE SW	1	
16	37110-93J01	.SWITCH ASSY, IGNITION	2	
17-1	37141-99E00	..KEY (931)	4	
17-2	37141-99E10	..KEY (932)	4	
17-3	37141-99E20	..KEY (933)	4	
17-4	37141-99E30	..KEY (934)	4	
17-5	37141-99E40	..KEY (935)	4	
17-6	37141-99E50	..KEY (936)	4	
17-7	37141-99E60	..KEY (937)	4	

FIG.530A

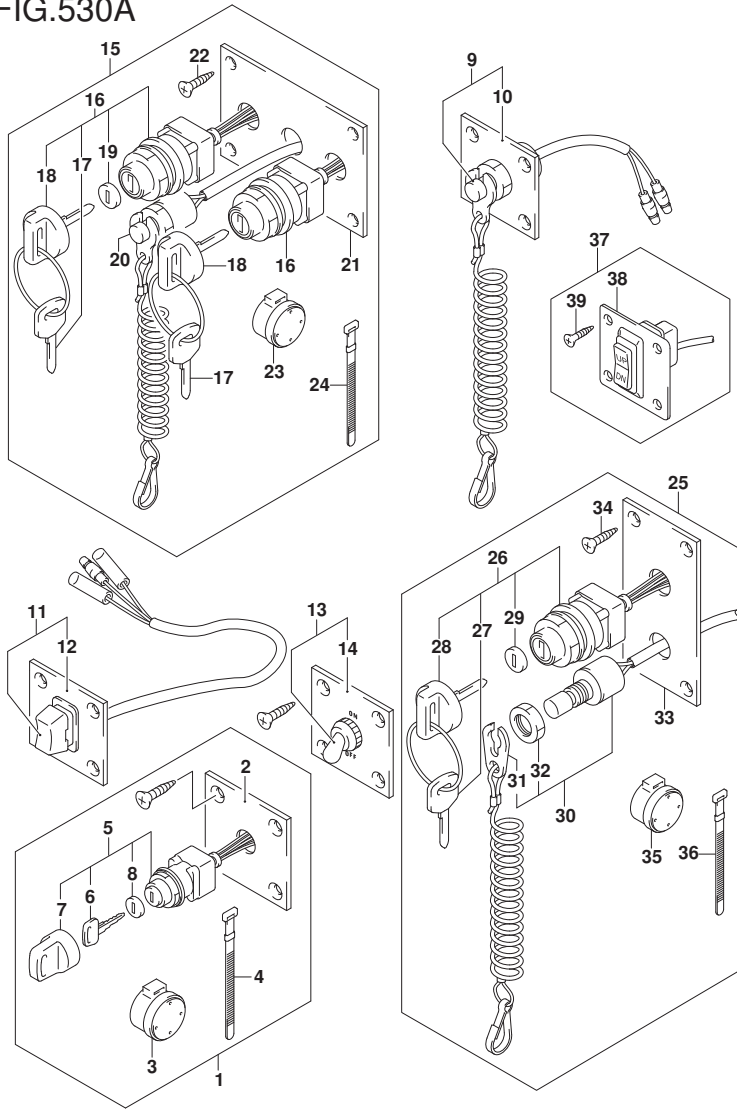


FIG.530A (1-J-6) OPT:SWITCH

REF NO.	PART NO.	DESCRIPTION	Q'TY	REMARKS
17-8	37141-99E70	..KEY (938)	4	
17-9	37141-99E80	..KEY (939)	4	
17-10	37141-99E90	..KEY (940)	4	
17-11	37141-99EA0	..KEY (941)	4	
17-12	37141-99EB0	..KEY (942)	4	
18	37143-99E00	..CAP, KEY	2	
19	37149-93J00	..CAP, CYLINDER BODY	2	
20	37820-93J94	..SWITCH ASSY, EMERGENCY	1	
21	37139-99E10	..PANEL	1	
22	03121-0516A	..SCREW	4	
23	38500-93J90	..BUZZER ASSY, WARNING	2	
24	09407-08401	..CLAMP (L:80)	1	
25	37100-96J24	..PANEL ASSY, ENGINE SW	1	
26	37110-93J01	..SWITCH ASSY, IGNITION	1	
27-1	37141-99E00	..KEY (931)	2	
27-2	37141-99E10	..KEY (932)	2	
27-3	37141-99E20	..KEY (933)	2	
27-4	37141-99E30	..KEY (934)	2	
27-5	37141-99E40	..KEY (935)	2	
27-6	37141-99E50	..KEY (936)	2	
27-7	37141-99E60	..KEY (937)	2	
27-8	37141-99E70	..KEY (938)	2	
27-9	37141-99E80	..KEY (939)	2	
27-10	37141-99E90	..KEY (940)	2	
27-11	37141-99EA0	..KEY (941)	2	
27-12	37141-99EB0	..KEY (942)	2	
28	37143-99E00	..CAP, KEY	1	
29	37149-93J00	..CAP, CYLINDER BODY	1	
30	37820-93J04	..SWITCH ASSY, EMERGENCY	1	
31	37823-92E01	..PLATE ASSY, EMERGENCY SW LOCK	1	
32	37826-92J00	..NUT	1	
33	37139-99E20	..PANEL	1	
34	03121-0516A	..SCREW	4	

FIG.530A

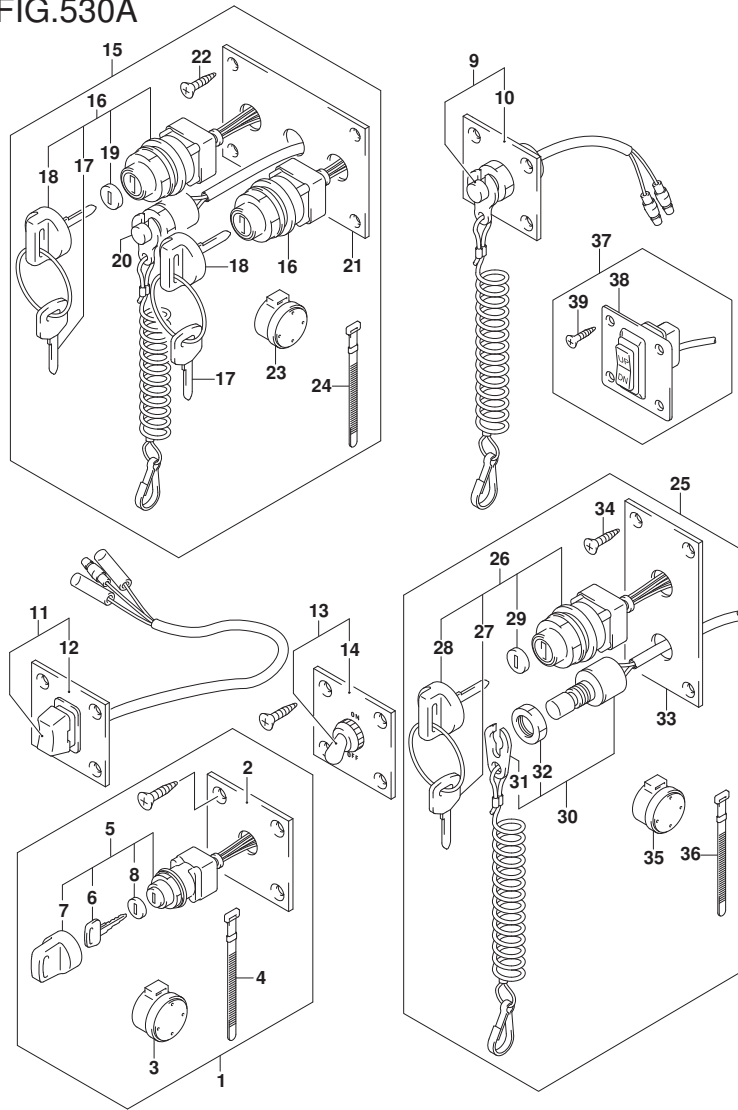


FIG.530A (1-J-7) OPT:SWITCH

REF NO.	PART NO.	DESCRIPTION	Q'TY	REMARKS
35	38500-93J90	.BUZZER ASSY, WARNING	1	
36	09407-08401	.CLAMP (L:80)	1	
37	37860-87L00	PANEL ASSY, TROLLING CONTROL	1	
38	37862-87L00	.PANEL	1	
39	09131-05004	.SCREW (5X16)	4	

FIG.541A

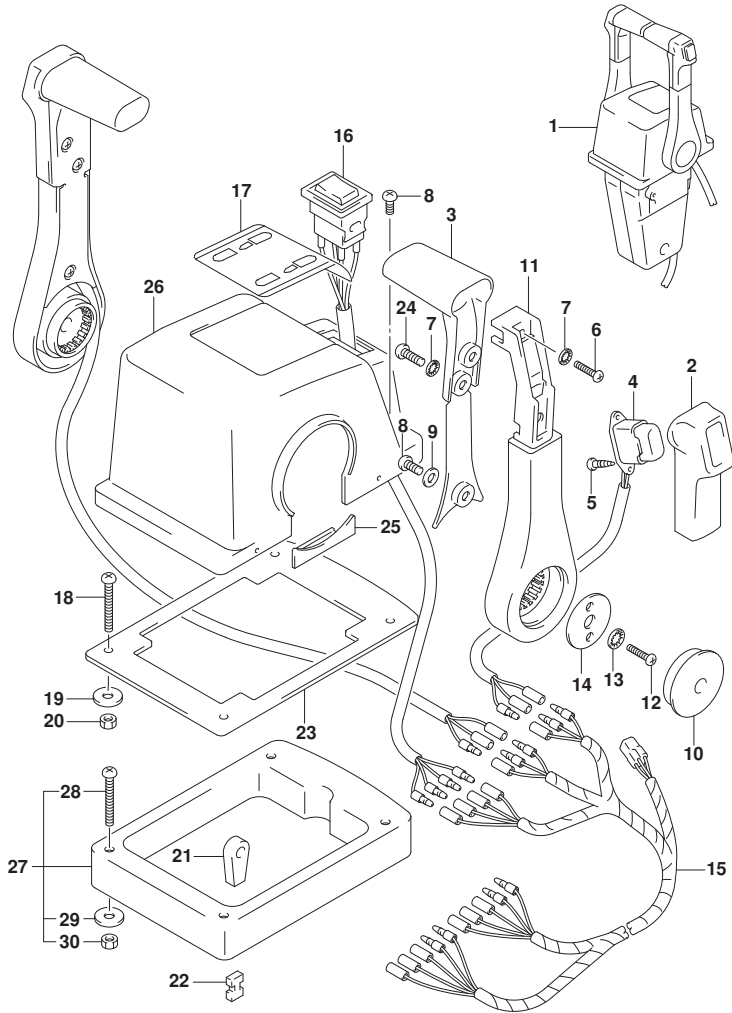


FIG.541A (1-J-8) OPT:REMOTE CONTROL ASSY DUAL (1)

REF NO.	PART NO.	DESCRIPTION	Q'TY	REMARKS
1	67200-93J23	REMOTE CONTROL ASSY	1	
2	67261-93J00	.GRIP, NO.1	2	
3	67263-93J00	.GRIP, NO.2	2	
4	37850-93J10	.SWITCH ASSY, PTT	2	
5	67295-92E10	.SCREW	4	
6	67296-88D10	.SCREW	2	
7	67288-92E20	.WASHER	6	
8	67296-92E70	.SCREW	4	
9	67288-92E40	.WASHER	2	
10	67257-92E00	.CAP, LEVER	2	
11	67251-93J00	.LEVER, HANDLE	2	
12	67296-92E60	.SCREW	4	
13	67288-92E30	.WASHER	4	
14	67253-92E00	.WASHER	2	
15	36890-93J10	.WIRE HARNESS	1	
16	37220-92E00	.SWITCH ASSY, MODE CHANGING	1	
17	67282-93J00	.DECAL	1	
18	67296-92E30	.SCREW	4	
19	09160-05024	.WASHER (5.5X16X1.5)	4	
20	67287-92E00	.NUT	4	
21	67275-95600	.END, CABLE	4	
22	67273-95600	.SPACER	2	
23	67273-92E10	.GROMMET	1	
24	67295-92E00	.SCREW	4	
25	67271-92E00	.COVER	2	
26	67211-93J10	.COVER	1	
27	67500-93J10	KIT, REMOCON SPACER TWIN	1	
28	09125-05135	.SCREW (5X65)	4	
29	09160-05029	.WASHER (5.5X12X0.8)	4	
30	09140-05005	.NUT	4	

FIG.542A

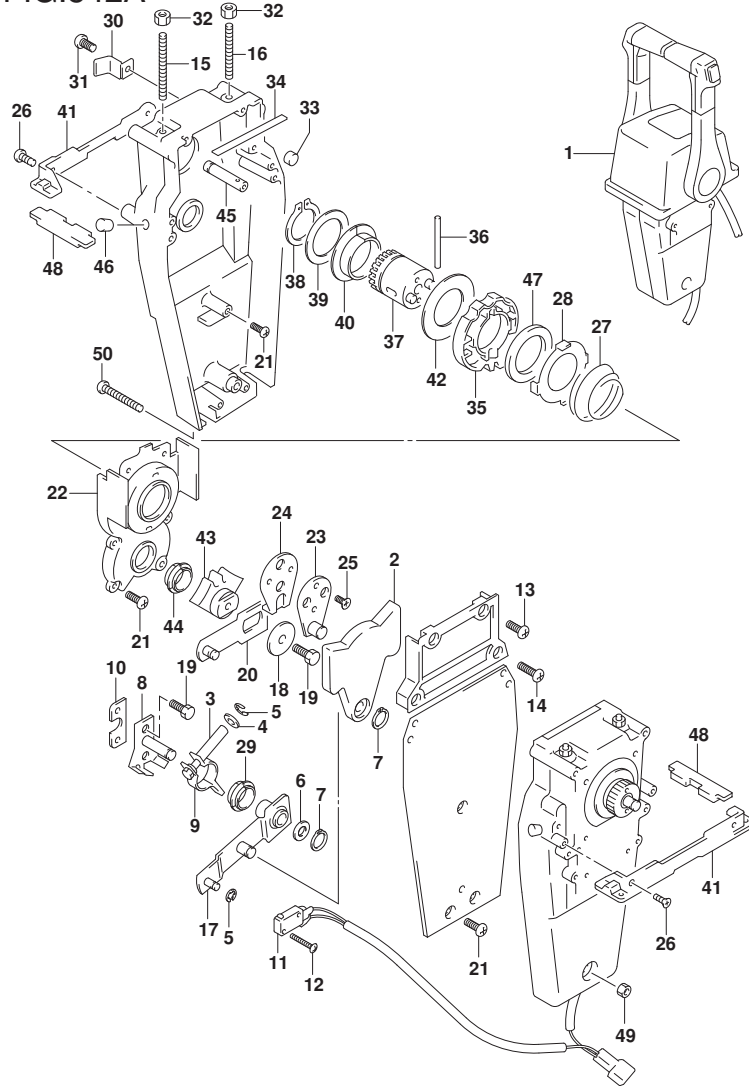


FIG.542A (1-J-9) OPT:REMOTE CONTROL ASSY DUAL (2)

REF NO.	PART NO.	DESCRIPTION	Q'TY	REMARKS
1	67200-93J23	REMOTE CONTROL ASSY	1	
2	67222-92E00	.DUAL PLATE	2	
3	67223-92E00	.BRAKE ADJUST	2	
4	67288-92E00	.WASHER	2	
5	67292-94300	.E RING	8	
6	67288-92E10	.WASHER	2	
7	67291-92E00	.SNAP RING	4	
8	67221-92E00	.SHIFT ASSY	2	
9	67224-92E00	.BRAKE ARM ASSY	2	
10	67294-92E00	.SPACER	2	
11	37721-92E10	.SWITCH ASSY, NEUTRAL	1	
12	67296-92E11	.SCREW	4	
13	67296-88D10	.SCREW	4	
14	67296-92E20	.SCREW	4	
15	67226-92E00	.BOLT, STOPPER FRONT	2	
16	67226-92E10	.BOLT, STOPPER REAR	2	
17	67240-92E00	.ARM ASSY, THROTTLE	2	
18	67228-92E00	.WASHER	2	
19	67286-92E00	.BOLT	6	
20	67230-92E00	.ARM ASSY, SHIFT	2	
21	09125-05042	.SCREW (5X10)	16	
22	67234-92E00	.CASE, GEAR	2	
23	67245-92E00	.LEVER ASSY, THROTTLE	2	
24	67227-92E00	.STOPPER	2	
25	09126-06006	.SCREW (6X20)	4	
26	67296-95610	.SCREW	4	
27	67233-92E00	.SPRING	2	
28	67235-92E00	.PLATE, SHIFT LOCK	2	
29	67232-95620	.BUSH	2	
30	67269-92E00	.BRACKET	2	
31	67296-88D10	.SCREW	2	
32	09140-06020	.NUT	4	
33	67236-92E00	.ROLLER	2	
34	67237-92E01	.SPRING	12	

FIG.542A

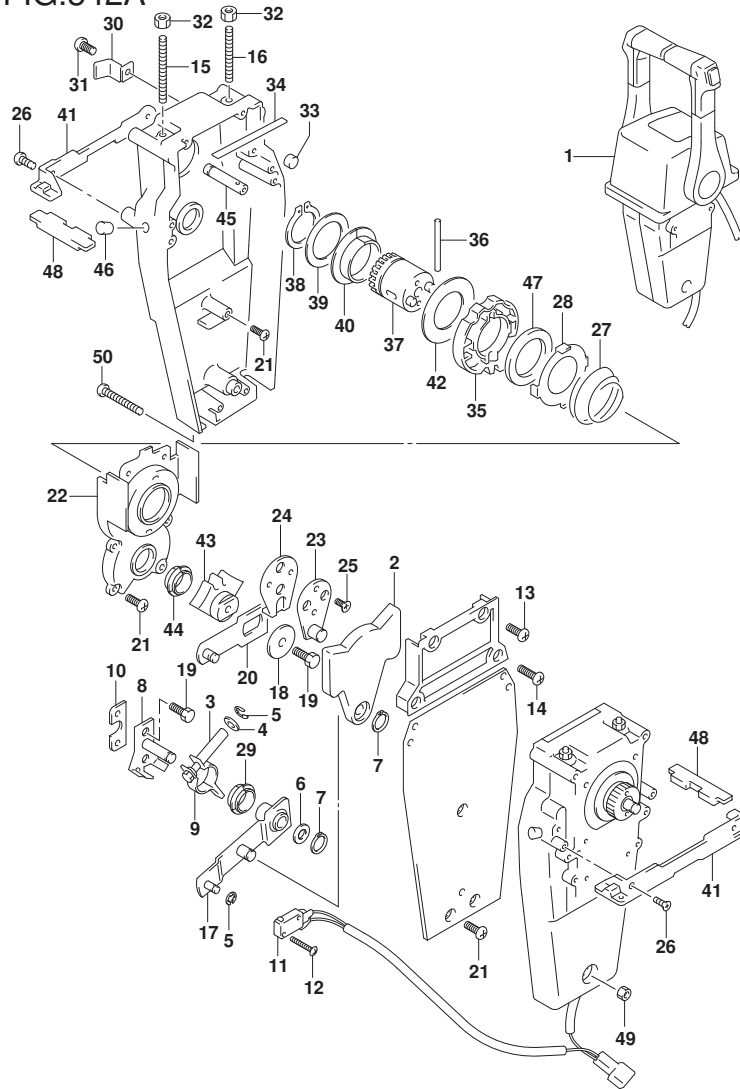
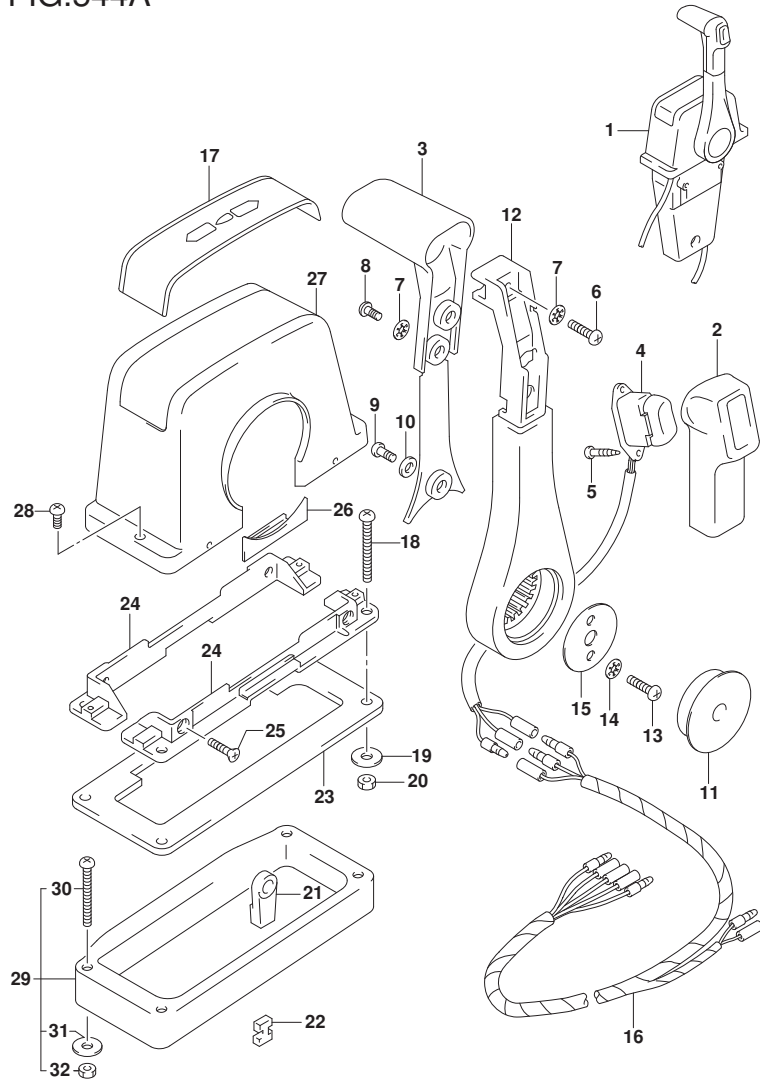


FIG.542A (1-J-10) OPT:REMOTE CONTROL ASSY DUAL (2)

REF NO.	PART NO.	DESCRIPTION	Q'TY	REMARKS
35	67238-92E00	.GEAR, DRIVE	2	
36	67239-92E00	.PIN	2	
37	67246-92E00	.SHAFT, DRIVE	2	
38	67291-92E10	.SNAP RING	2	
39	67253-92E10	.WASHER	2	
40	67252-92E10	.BUSH	2	
41	67274-92E00	.FLANGE	2	
42	67253-95600	.WASHER	2	
43	67231-92E00	.GEAR, SHIFT	2	
44	67232-95600	.BUSH	2	
45	67241-92E10	.ROD, FREE ACC	2	
46	67243-92E00	.CAP, HOLE	2	
47	67239-92E10	.PLATE, SHIFT PIN	2	
48	67272-92E10	.SEAL, FLANGE	2	
49	67287-92E10	.NUT	1	
50	67296-92E80	.SCREW	3	

FIG.544A



DF200A_E01_015_544A
OPT:REMOTE CONTROL ASSY SINGLE (1)

FIG.544A (1-J-11) OPT:REMOTE CONTROL ASSY SINGLE (1)

REF NO.	PART NO.	DESCRIPTION	Q'TY	REMARKS
1	67200-93J13	REMOTE CONTROL ASSY	1	
2	67261-93J00	.GRIP, NO.1	1	
3	67263-93J00	.GRIP, NO.2	1	
4	37850-93J10	.SWITCH ASSY, PTT	1	
5	67295-92E10	.SCREW	2	
6	67296-88D10	.SCREW	1	
7	67288-92E20	.WASHER	3	
8	67295-92E00	.SCREW	2	
9	67296-92E70	.SCREW	1	
10	67288-92E40	.WASHER	1	
11	67257-92E00	.CAP, LEVER	1	
12	67251-93J00	.LEVER, HANDLE	1	
13	67296-92E60	.SCREW	2	
14	67288-92E30	.WASHER	2	
15	67253-92E00	.WASHER	1	
16	36890-93J00	.WIRE HARNESS	1	
17	67281-93J00	.DECAL	1	
18	67296-92E30	.SCREW	4	
19	09160-05024	.WASHER (5.5X16X1.5)	4	
20	67287-92E00	.NUT	4	
21	67275-95600	.END, CABLE	2	
22	67273-95600	.SPACER	1	
23	67273-92E00	.GROMMET	1	
24	67274-92E00	.FLANGE	2	
25	67296-95610	.SCREW	4	
26	67271-92E00	.COVER	1	
27	67211-93J00	.COVER	1	
28	67296-92E70	.SCREW	2	
29	67500-93J00	KIT, REMOCON SPACER SINGLE	1	
30	09125-05135	.SCREW (5X65)	4	
31	09160-05029	.WASHER (5.5X12X0.8)	4	
32	09140-05005	.NUT	4	

DF200A_E01_015

FIG.545A

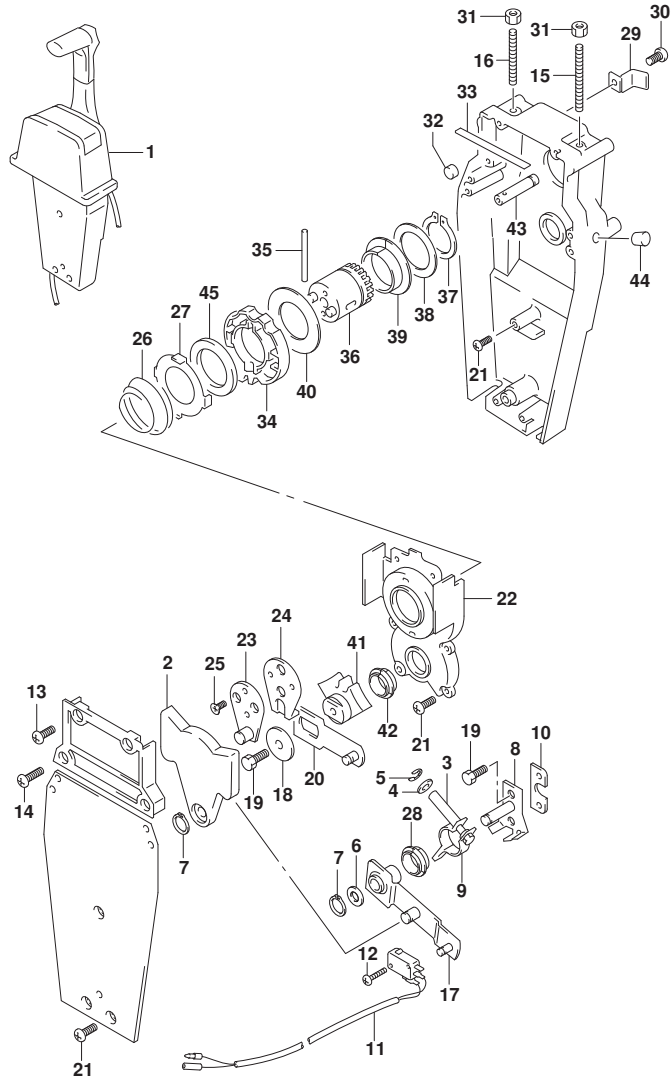


FIG.545A (1-J-12) OPT:REMOTE CONTROL ASSY SINGLE (2)

REF NO.	PART NO.	DESCRIPTION	Q'TY	REMARKS
1	67200-93J13	REMOTE CONTROL ASSY	1	
2	67222-92E00	.DUAL PLATE	1	
3	67223-92E00	.BRAKE ADJUST	1	
4	67288-92E00	.WASHER	1	
5	67292-94300	.E RING	4	
6	67288-92E10	.WASHER	1	
7	67291-92E00	.SNAP RING	2	
8	67221-92E00	.SHIFT ASSY	1	
9	67224-92E00	.BRAKE ARM ASSY	1	
10	67294-92E00	.SPACER	1	
11	37721-95500	.SWITCH ASSY, NEUTRAL	1	
12	67296-92E11	.SCREW (3X15)	2	
13	67296-88D10	.SCREW (5X16)	2	
14	67296-92E20	.SCREW (5X25)	2	
15	67226-92E00	.BOLT, STOPPER FRONT	1	
16	67226-92E10	.BOLT, STOPPER REAR	1	
17	67240-92E00	.ARM ASSY, THROTTLE	1	
18	67228-92E00	.WASHER	1	
19	67286-92E00	.BOLT (6X18)	3	
20	67230-92E00	.ARM ASSY, SHIFT	1	
21	09125-05042	.SCREW (5X10)	9	
22	67234-92E00	.CASE, GEAR	1	
23	67245-92E00	.LEVER ASSY, THROTTLE	1	
24	67227-92E00	.STOPPER	1	
25	09126-06006	.SCREW (6X20)	2	
26	67233-92E00	.SPRING	1	
27	67235-92E00	.PLATE, SHIFT LOCK	1	
28	67232-95620	.BUSH	1	
29	67269-92E00	.BRACKET	1	
30	67296-88D10	.SCREW	1	
31	09140-06020	.NUT	2	
32	67236-92E00	.ROLLER	1	
33	67237-92E01	.SPRING	6	
34	67238-92E00	.GEAR, DRIVE	1	

FIG.545A

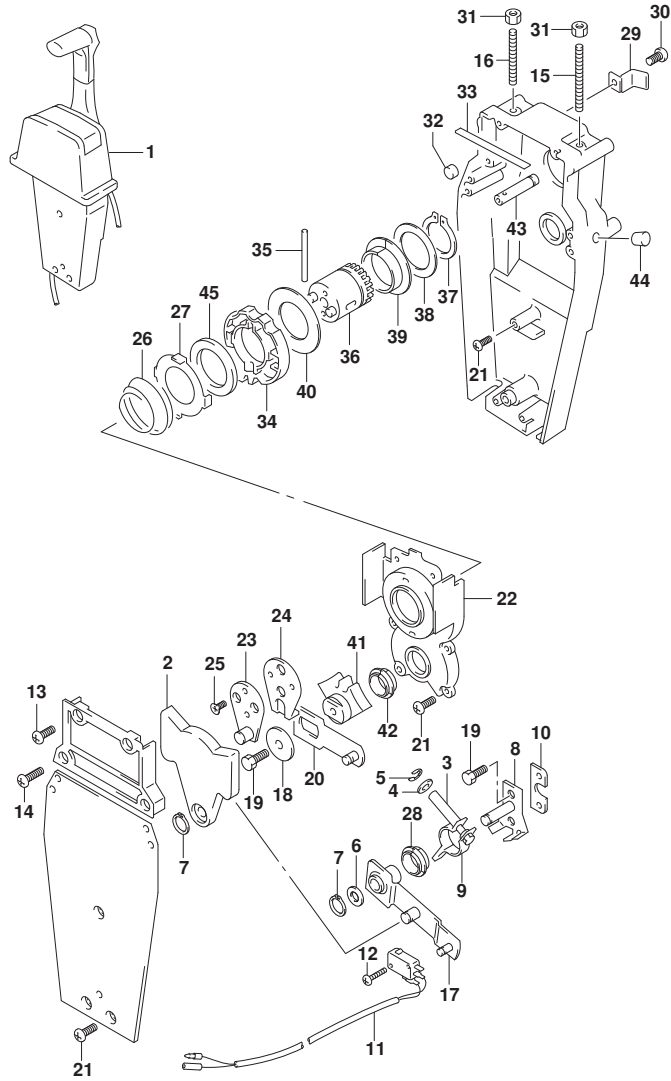


FIG.545A (1-J-13) OPT:REMOTE CONTROL ASSY SINGLE (2)

REF NO.	PART NO.	DESCRIPTION	Q'TY	REMARKS
35	67239-92E00	.PIN	1	
36	67246-92E00	.SHIFT, DRIVE	1	
37	67291-92E10	.SNAP RING	1	
38	67253-92E10	.WASHER	1	
39	67252-92E10	.BUSH	1	
40	67253-95600	.WASHER	1	
41	67231-92E00	.GEAR, SHIFT	1	
42	67232-95600	.BUSH	1	
43	67241-92E10	.ROD, FREE ACC	1	
44	67243-92E00	.CAP, HOLE	1	
45	67239-92E10	.PLATE, SHIFT PIN	1	

FIG.573A

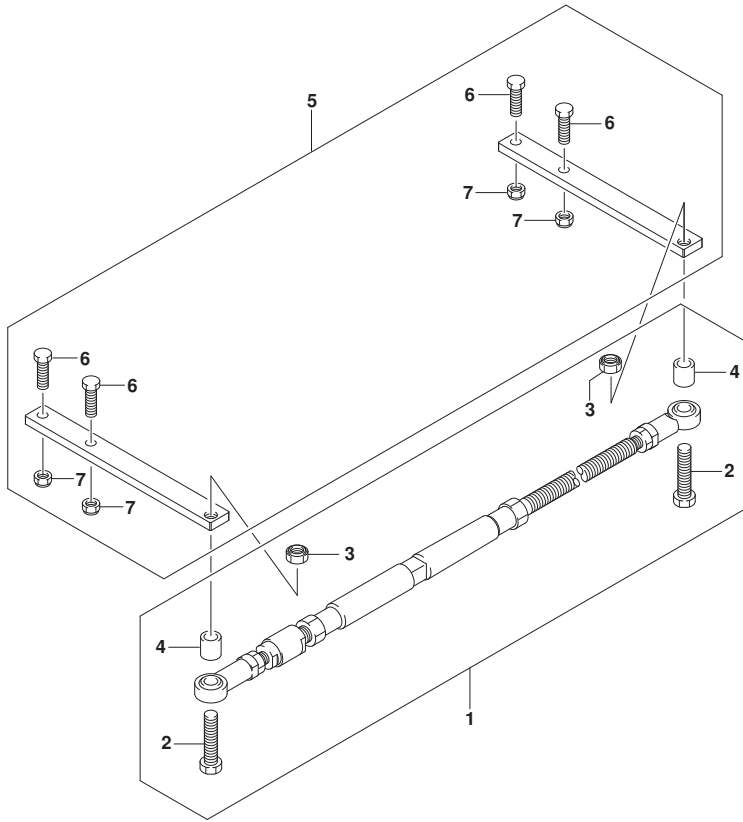


FIG.573A (1-J-14) OPT:TIE ROD

REF NO.	PART NO.	DESCRIPTION	QTY	REMARKS
1	67600-93J00	KIT, TIE ROD	1	
2	67725-93J00	.BOLT	2	
3	67726-93J00	.NUT	2	
4	67721-93J00	.SPACER	2	
5	67630-93J00	KIT, STEERING EXTENSION	1	
6	67725-93E00	.BOLT	4	
7	67726-99E00	.NUT	4	

FIG.575A

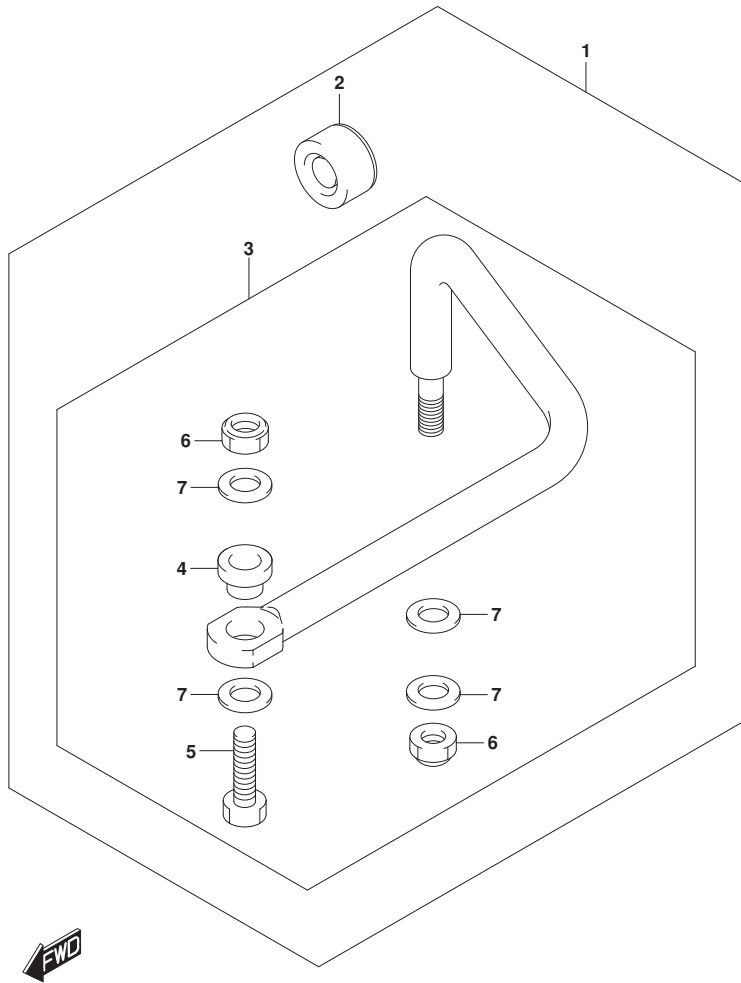


FIG.575A (1-J-15) OPT:DRAG LINK

REF NO.	PART NO.	DESCRIPTION	QTY	REMARKS
1	67700-96J00	LINK SET, DRAG (7X12X1.0)	1	
2	41161-94400	.SEAL, STEERING CABLE	1	
3	67701-96J00	.LINK ASSY, DRAG	1	
4	67721-96J00	..SPACER	1	
5	67725-96J00	..BOLT, DRAG LINK	1	
6	67726-99E00	..NUT	2	
7	67728-99E00	..WASHER	4	

FIG.585A

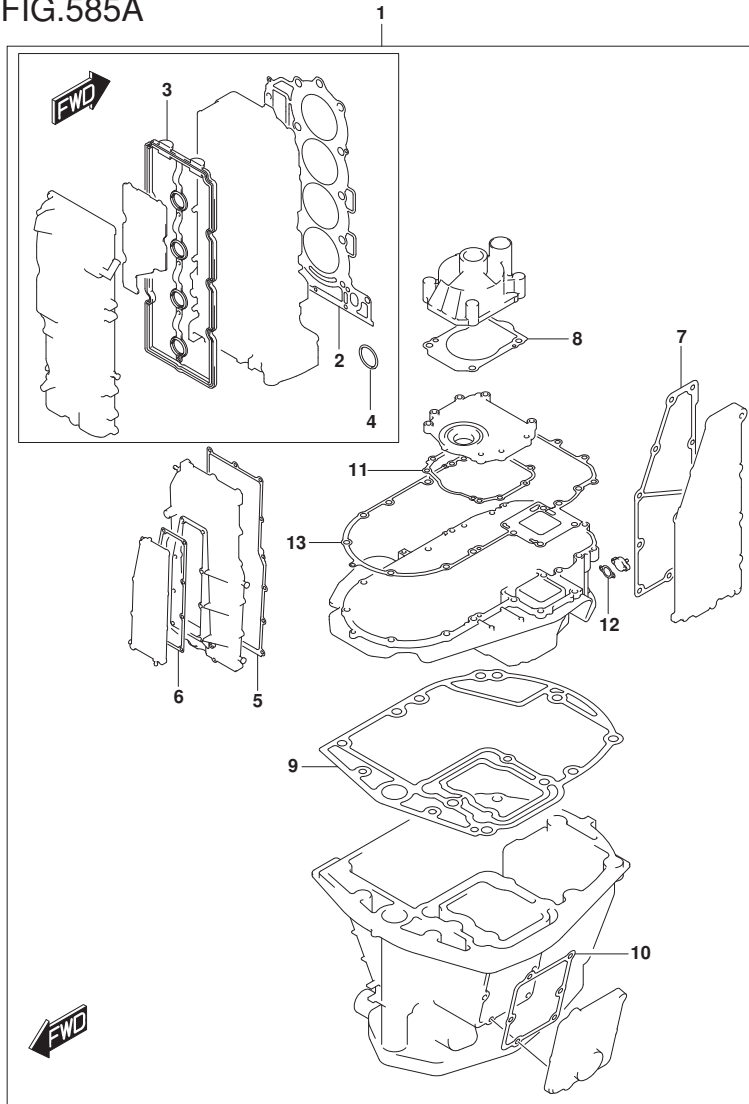


FIG.585A (1-K-2) OPT:GASKET SET

REF NO.	PART NO.	DESCRIPTION	Q'TY	REMARKS
1	11410-96810	GASKET SET	1	
2	11141-96L00	.GASKET, CYLINDER HEAD	1	
3	11189-96J00	.GASKET, CYLINDER HEAD COVER	1	
4	11318-96J00	O RING, BALANCER OIL GALLERY	1	
5	11332-96J00	.GASKET, BALANCER COVER	1	
6	11342-96J00	.GASKET, BAL WTR JACKET COVER	1	
7	14151-96J00	.GASKET, EXH COVER	1	
8	17472-93J00	.GASKET, PUMP CASE PANEL	1	
9	11489-96J01	.GASKET, OIL PAN (ASB)	1	
10	11552-96J00	.GASKET, WTR JACKET COVER	1	
11	51123-96J01	.GASKET, MOUNT OIL SEAL COVER	1	
12	51142-96J00	.GASKET, ENGINE HOLDER COVER	1	
13	51211-96J00	.GASKET, ENGINE HOLDER	1	

FIG.588A

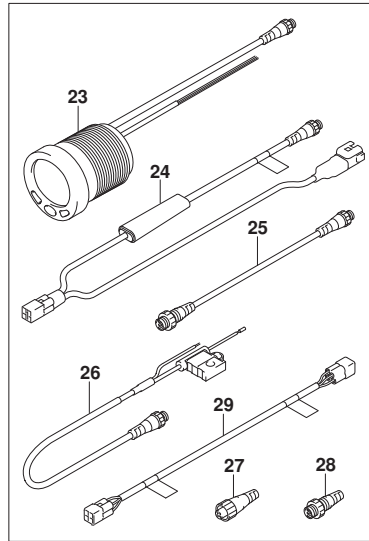
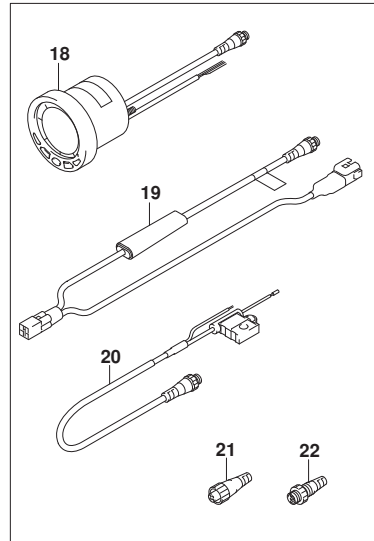
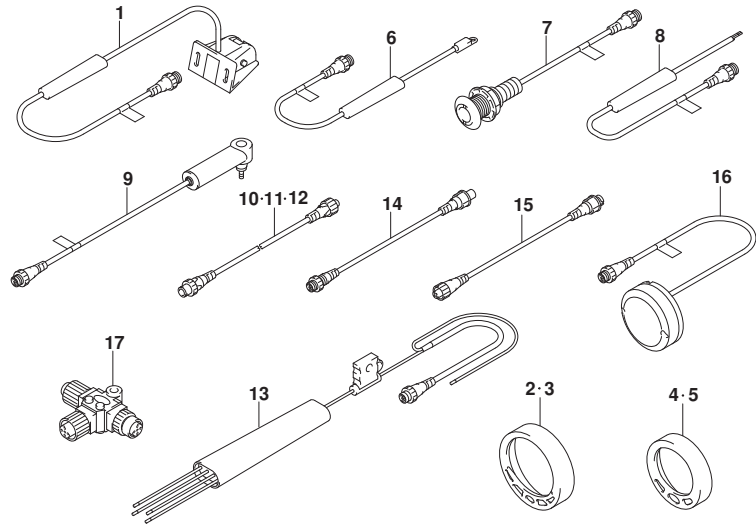


FIG.588A (1-K-3) OPT:LOWRANCE GAUGE

REF NO.	PART NO.	DESCRIPTION	Q'TY	REMARKS
1	34190-88L00	SENSOR ASSY, PAD WHEEL	1	
2	34193-88L00	BEZEL, 4 IN CHR	1	
3	34193-88L20	BEZEL, 4 IN WHITE	1	
4	34193-88L40	BEZEL, 2 IN CHR	1	
5	34193-88L60	BEZEL, 2 IN WHITE	1	
6	34455-88L00	SENSOR ASSY, WATER TEMP	1	
7	34455-88L10	SENSOR ASSY, WATER TEMP	1	
8	34810-88L00	SENSOR ASSY, FLUID LEVEL	1	
9	34960-88L00	SENSOR ASSY, WATER PRESSURE	1	
10	36662-88L10	WIRE, 2 EXTENSION	1	
11	36662-88L20	WIRE, 6 EXTENSION	1	
12	36662-88L30	WIRE, 15 EXTENSION	1	
13	36663-88L10	HARNESS ASSY, NETWORK POWER	1	
14	36666-88L00	WIRE, ADAPTER TO N NETWORK	1	
15	36666-88L10	WIRE, ADAPTER TO L NETWORK	1	
16	39950-88L00	MODULE ASSY, GPS RECEIVER	1	
17	36664-88L00	CONNECTOR, BRANCH	1	
18	34200-88L02	GAUGE ASSY, 4 IN MULTI	1	
19	34922-88L03	UNIT, INTERFACE	1	
20	36663-88L00	HARNESS ASSY, NETWORK POWER	1	
21	36665-88L00	UNIT, RESISTOR FEMALE	1	
22	36665-88L10	UNIT, RESISTOR MALE	1	
23	34800-88L01	GAUGE ASSY, 2 IN MULTI	1	
24	34922-88L03	UNIT, INTERFACE	1	
25	36662-88L00	WIRE, 25 EXTENSION	1	
26	36663-88L00	HARNESS ASSY, NETWORK POWER	1	
27	36665-88L00	UNIT, RESISTOR FEMALE	1	
28	36665-88L10	UNIT, RESISTOR MALE	1	
29	36668-88L00	WIRE, ADAPTER TO DIAGNS	1	

PART NO.	FIG.NO.-REF.NO.	PART NO.	FIG.NO.-REF.NO.	PART NO.	FIG.NO.-REF.NO.	
10000			135C-3	12748-96J00	121A-3	
			135D-3	12749-93J00	121A-6	
			180A-3	12753-93J00	121A-7	
			180A-6	12761-96J00	119A-9	
			180A-10	12772-96J00	119A-10	
	11100-96L00	111A-1	11550-96J00-0EP	180A-15-1	12810-96J00	119A-12
	11112-84400	111A-5	11550-96J00-Y5S	180A-15-2	12812-90J00	119A-14
	11115-93J10-001	111A-30	11552-96J00	180A-16	12813-73G00	119A-13
	11116-93J01	111A-6		585A-10	12831-93J01	119A-16
	11117-96J01	113A-2	12100-96811-025	116A-6-2	12891-93J00	121A-12
	11119-96J00	111A-8	12100-96811-0A0	116A-6-1	12892-93J00-218	121A-13-1
11141-96L00	111A-9	12100-96L00-050	116A-14	12892-93J00-220	121A-13-2	
		585A-2	12111-96L00-0B0	12892-93J00-223	121A-13-3	
11170-96J11	111A-21	12140-96J00	116A-2	12892-93J00-225	121A-13-4	
11173-96J00	111A-23	12140-96J00-050	116A-15	12892-93J00-228	121A-13-5	
11174-96J00	111A-27	12151-96J00	116A-3	12892-93J00-230	121A-13-6	
11185-96L00	303A-12	12160-96L00	116A-4	12892-93J00-233	121A-13-7	
11189-96J00	111A-22	12221-96J10	116A-7	12892-93J00-235	121A-13-8	
		585A-3	12242-96J00	12892-93J00-238	121A-13-9	
11196-96L00	162A-1	12300-85830	116A-9-1	12892-93J00-240	121A-13-10	
11198-96L00	162A-25	12300-85830-012	116A-9-2	12892-93J00-243	121A-13-11	
11261-93J00	111A-16	12300-96811-0BA	116A-8-6	12892-93J00-245	121A-13-12	
		113A-11	12300-96811-0CA	12892-93J00-248	121A-13-13	
		140A-4	12300-96811-0DA	12892-93J00-250	121A-13-14	
11291-96J00	113A-17	12300-96811-0EA	116A-8-9	12892-93J00-253	121A-13-15	
11292-96J00	140A-9	12300-96811-0FA	116A-8-10	12892-93J00-255	121A-13-16	
11294-96J00	113A-16	12340-96J01-0B0	116A-8-1	12892-93J00-258	121A-13-17	
11300-96L00	113A-1	12340-96J01-0C0	116A-8-2	12892-93J00-260	121A-13-18	
11318-96J00	113A-9	12340-96J01-0D0	116A-8-3	12892-93J00-263	121A-13-19	
		585A-4	12340-96J01-0E0	12892-93J00-265	121A-13-20	
11330-96J10	118A-1	12340-96J01-0F0	116A-8-5	12892-93J00-268	121A-13-21	
11332-96J00	118A-2	12600-96J01	118A-9	12892-93J00-270	121A-13-22	
		585A-5	12632-96J00	12892-93J00-273	121A-13-23	
11340-96J00	118A-4	12643-96J00	118A-10	12892-93J00-275	121A-13-24	
11342-96J00	118A-5	12644-96J00	118A-11	12892-93J00-278	121A-13-25	
		585A-6	12645-96J00	12892-93J00-280	121A-13-26	
11382-93J00	118A-7	12650-96J20	118A-16	12892-93J00-283	121A-13-27	
11390-96J00	113A-7	12660-96J20	118A-14	12892-93J00-285	121A-13-28	
11410-96810	585A-1	12662-96J00	118A-23	12892-93J00-288	121A-13-29	
11430-96J10	180A-1	12665-96J00	118A-17	12892-93J00-290	121A-13-30	
11489-96J01	180A-8	12670-96J00	118A-25	12892-93J00-293	121A-13-31	
		585A-9	12671-96J01	12892-93J00-295	121A-13-32	
11501-96J03-0EP	180A-9-1	12672-96J01	118A-27	12892-93J00-298	121A-13-33	
11501-96J03-Y5S	180A-9-2	12673-96J00	118A-29	12892-93J00-300	121A-13-34	
11510-96J04	135A-6	12695-96J00	118A-30	12911-98J00	121A-14	
		135B-6	12701-96L00	12915-93J50	121A-15	
		135C-6	12705-96J50	12921-93J10	121A-16	
		135D-6	12730-96J01	12931-78G00	121A-17	
11510-96L00	135A-3	12734-96J00	119A-3	12932-24400	121A-18	
		135B-3	12740-96J00	12933-69G10	121A-19	

PART NO.	FIG.NO.-REF.NO.	PART NO.	FIG.NO.-REF.NO.	PART NO.	FIG.NO.-REF.NO.
13110-96J00	123A-20		135D-12		146B-10
13119-96J00	123A-21	13853-96L00	135A-13		146C-10
13125-96J00	123A-22		135B-13		146D-10
13162-93J00	123A-2		135C-13	15421-96L00	146A-11
13254-01010	143A-12		135D-13		146B-11
	143B-12	14141-96J00	140A-1		146C-11
	143C-12	14151-96J00	140A-2		146D-11
	143D-12		585A-7	15440-96J01	144A-1
13300-96J00	123A-23	15100-96J0V	146A-1		144C-1
13315-96J00	123A-33		146C-1	15440-96J11	144B-1
13370-96J00	143A-2	15100-96J10	146B-1		144D-1
	143B-2		146D-1	15600-96J02	143A-1
	143C-2	15190-96L00	146A-2		143C-1
	143D-2		146B-2	15600-96J12	143B-1
13510-96J00	164A-1		146C-2		143D-1
13580-93J02	326A-1	15192-96L00	146D-2	15626-96J00	143A-6
13650-52G00	315A-1		146A-3		143B-6
13655-87J00	315A-2		146B-3		143C-6
13710-96J00	135A-1		146C-3		143D-6
	135B-1		146D-3	15628-99E00	143A-7
	135C-1	15193-96J11	146A-4		143B-7
	135D-1		146B-4		143C-7
13730-96J01	123A-24		146C-4		143D-7
13761-96L00	135A-8		146D-4	15629-99E10	143A-8
	135B-8	15194-96J11	146A-5		143B-8
	135C-8		146B-5		143C-8
	135D-8		146C-5		143D-8
13766-96L00	135A-9		146D-5	15641-96J00	143A-9
	135B-9	15198-96J00	164A-19		143B-9
	135C-9	15200-96J00	143A-4		143C-9
	135D-9		143C-4		143D-9
13811-96L00	135A-22	15200-96J10	143B-4	15642-90J00	143A-10
	135B-22		143D-4		143B-10
	135C-22	15410-92J00	146A-6		143C-10
	135D-22		146B-6		143D-10
13813-96L00	135A-2		146C-6	15647-93J00	143A-5
	135B-2		146D-6		143C-5
	135C-2	15411-92J00	146A-7	15647-93J10	143B-5
	135D-2		146B-7		143D-5
13822-96L00	135A-10		146C-7	15650-96J00	143A-11
	135B-10		146D-7		143B-11
	135C-10	15412-92J00	146A-8		143C-11
	135D-10		146B-8		143D-11
13823-96L00	135A-11		146C-8	15660-96J20	143A-21
	135B-11		146D-8		143B-21
	135C-11	15413-92J00	146A-9		143C-21
	135D-11		146B-9		143D-21
13852-96L00	135A-12		146C-9	15681-87L00	144A-2
	135B-12		146D-9		144B-2
	135C-12	15415-92J00	146A-10		144C-2

PART NO.	FIG.NO.-REF.NO.	PART NO.	FIG.NO.-REF.NO.	PART NO.	FIG.NO.-REF.NO.
15681-96J11	144D-2	15831-96J00	144D-12	17472-93J00	160A-6
	144A-3		146A-12		160B-6
	144B-3		146B-12		160C-6
	144C-3		146C-12		160D-6
15683-87J00	144D-3	15832-93J00	146D-12	17560-96J01	585A-8
	143A-16		144B-11		160A-7-1
	143B-16		144D-11		160B-7-1
	143C-16		144A-13		160A-7-2
15710-96J00	143D-16	15851-96J01	144B-13	17561-96J11	160B-7-2
	144A-4		144C-13		160C-7
	144B-4		144D-13		160D-7
	144C-4		144A-35		160A-8
15717-16G00	144D-4	15852-96J00	144B-35	17562-93J00	160B-8
	144A-5		144C-35		160C-8
	144B-5		144D-35		160D-8
	144C-5		175A-2		160A-9
15751-96J00	144D-5	16113-96J00	175A-3	17563-93J00	160B-9
	144A-6		16400-96J00		160C-9
	144B-6		16510-96J00		178A-1
	144C-6		16519-93J00		401A-2
15760-93J00	144D-6	16520-96J01	175A-4	17564-93J00	160A-10
	143A-14		16540-96J00		160B-10
	143B-14		16543-96J00		160C-10
	143C-14		16550-93J00		121A-9
15762-90J00	143D-14	16910-96J01	121A-10	17566-87D11	407A-6
	144B-18		16930-96J00		407B-6
	144D-18		17400-96J02		407C-9
	144A-7		160C-17		407D-9
15762-93J00	144C-7	17400-96J20	160B-17	17611-90J00-0EP	162A-2-1
	144B-7		160D-17		162A-2-2
	144D-7		17411-96J01		160A-11-1
	144A-8		160A-1		160B-11-1
15770-96J00	144B-8	17413-96J01	160B-1	17631-93J30	160C-11-1
	144C-8		160C-1		160D-11-1
	144D-8		160D-1		160A-11-2
	144A-9		160A-2		160B-11-2
15773-90J00	144B-9	17413-96J11	160C-2	17632-93J20	160C-11-2
	144C-9		160B-2		160D-11-2
	144D-9		160D-2		160A-12-1
	144A-10		160A-3		160B-12-1
15790-96J00	144B-10	17416-96J00	160B-3	17632-93J30	160C-12-1
	144C-10		160C-3		160D-12-1
	144D-10		160D-3		160A-12-2
	144A-11		160A-4		160B-12-2
15830-77EA0	144C-11	17461-90J01	160B-4	17660-90J00	160C-12-2
	144B-28		160C-4		160D-12-2
	144D-28		160D-4		162A-5
	144A-12		160A-5		162A-6-2
15830-99E00	144B-12	17471-93J12	160C-5	17670-90J10	162A-6-1
	144C-12		160B-5		162A-7
			160D-5		162A-8
			17913-93J00		180A-18

PART NO.	FIG.NO.-REF.NO.	PART NO.	FIG.NO.-REF.NO.	PART NO.	FIG.NO.-REF.NO.
17914-93J00	410A-10	19115-96J00	164A-2	25111-93J00	204C-5
	410B-10		164A-3		204D-5
	410C-9		164A-4		206A-1-2
	410D-9		164A-5		206B-1-2
17917-87L00	180A-19	19185-96J01	164A-6	25111-96J00	206C-1
	410A-11		20000		206D-1
	410B-11				206A-1-1
	410C-10				206B-1-1
18117-93J00	410D-10	21100-96J01		204A-1	25131-93J00
	410B-35		204B-1	206B-2	
	410C-34		204C-1	206C-2	
	410D-34		204D-1	206D-2	
18119-96L00	522A-3	21131-93J00	204A-2	25141-93J00	206A-5
	123A-3		204B-2		206B-5
	123A-4		204C-2		206C-5
	123A-5		204D-2		206D-5
18137-93J00	315A-3	21151-96J00	204A-9	25223-94400	204A-17
	18213-98J10		204B-9		204B-17
	18498-87J00		204C-9		204C-17
	162A-26		204B-9		204D-17
18498-87J00	162A-23	21155-93J00	204C-9	25232-96302	206A-6
	144A-15		204D-9		206B-6
	144B-15		204A-11		206C-6
	144C-15		204B-11		206D-6
18498-96J20	144D-15	21210-93J01	204C-11	25321-93J00	206A-3
	146A-14		204D-11		206B-3
	146B-14		204A-13		206C-3
	146C-14		204B-13		206D-3
18498-96L00	146D-14	21230-93J01	204C-13	25700-93J00	206A-8
	146A-13		204D-13		206B-8
	146B-13		204A-14		206C-8
	146C-13		204B-14		206D-8
18498-99E10	146D-13	22511-99011	204C-14	29103-93J00	407A-29
	146A-15		204D-14		407B-29
	146B-15		204A-15		407C-32
	146C-15		204B-15		407D-32
18498-99E20	146D-15	29116-93J00	204C-15	29141-93J20	315A-5
	144A-14		204D-15		315A-6
	144A-16		336A-1		180A-2
	144B-14		336B-1		180A-5
18498-99EC0	144B-16	23111-93J00	336C-1	29404-93J10	206A-9
	144C-14		336D-1		206B-9
	144C-16		204A-16-2		206C-9
	144D-14		204B-16-2		206D-9
18590-68H00	144D-16	23115-96J00	204C-16	29404-93J20	337A-29
	143B-22		204D-16		405A-4
	143C-22		204A-16-1		405B-4
	143D-22		204B-16-1		337A-2
18640-78G00	123A-6	204B-5	204A-5	29404-93J20	144A-37
	315A-4		204B-5		144B-37

PART NO.	FIG.NO.-REF.NO.	PART NO.	FIG.NO.-REF.NO.	PART NO.	FIG.NO.-REF.NO.
	144C-37	33810-96L00	322A-1	34830-87J20	315A-7
	144D-37	33830-98J11	522A-9		315A-8
		33920-96L00	326A-16	34840-98J11	315A-9
		33925-88L10	326A-17	34841-96J00	315A-10
		34011-88L04	503A-1	34845-96J00	315A-11
		34011-88L14	503A-7	34922-88L03	503A-3
		34100-93J00	502A-3-1		503A-9
		34100-93J11	502A-3-2		588A-19
		34100-93J20	502A-3-3		588A-24
		34100-93J31	502A-3-4	34960-88L00	588A-9
		34100-93J40	502A-3-5	36610-96L00	322A-7
		34100-93J51	502A-3-6	36611-96J00	315A-12
		34100-93J60	502A-3-7	36612-96J00	322A-20
		34190-87D00	502A-24	36615-96300	502A-7
		34190-88L00	588A-1	36616-96J00	322A-3
		34190-95500	502A-25	36617-93J00	322A-23
		34191-92E00	502A-5	36617-93J10	315A-13
			502A-17	36617-96J00	322A-24
		34193-88L00	588A-2	36618-43410	322A-9
		34193-88L20	588A-3	36620-93J02	508A-54-1
		34193-88L40	588A-4	36620-93J10	522A-1-1
		34193-88L60	588A-5	36620-93J30	522A-2
		34200-88L02	503A-2	36620-93J40	522A-1-2
			588A-18	36620-93J52	508A-54-2
		34200-93J00	460A-3-1	36620-93J62	508A-54-3
			502A-20-1	36625-93J00	322A-32-1
		34200-93J12	460A-3-2	36625-93J10	322A-32-2
			502A-20-2	36628-92E00	508A-3
		34200-93J40	502A-22-1	36646-93J01	508A-2
		34200-93J51	502A-22-2	36662-88L00	503A-10
		34300-93J00	502A-10-1		588A-25
		34300-93J11	502A-10-2	36662-88L10	588A-10
		34310-92E00	502A-11	36662-88L20	588A-11
		34360-92E00	502A-12	36662-88L30	588A-12
		34455-88L00	588A-6	36663-88L00	503A-4
		34455-88L10	588A-7		503A-11
		34500-93J00	502A-14-1		588A-20
		34500-93J11	502A-14-2	34500-93J11	588A-26
		34600-93J00	502A-8-1	36663-88L10	588A-13
		34600-93J11	502A-8-2	36663-98J00	523A-1-1
		34650-93J20	502A-16-1	36663-98J10	523A-1-2
		34650-93J31	502A-16-2	36664-88L00	588A-17
		34660-96J00	522A-5	36665-88L00	503A-5
		34800-88L01	503A-8		503A-12
			588A-23		588A-21
		34800-93J00	460A-1-1		588A-27
		34800-93J11	502A-1-1	36665-88L10	503A-6
			460A-1-2		503A-13
			502A-1-2		588A-22
		34810-88L00	588A-8		588A-28

30000

PART NO.	FIG.NO.-REF.NO.	PART NO.	FIG.NO.-REF.NO.	PART NO.	FIG.NO.-REF.NO.
36666-88L00	588A-14		530A-17-4	37722-93J11	326A-12
36666-88L10	588A-15		530A-27-4	37725-96J00	326A-8
	503A-14	37141-99E40	508A-5-5	37729-93J00	326A-2
	588A-29		530A-6-5	37803-93J04	530A-9
36682-92E00	502A-27		530A-17-5	37805-93J00	530A-11
36721-96J00	322A-12		530A-27-5	37820-93J04	508A-9
36737-96J00	322A-11	37141-99E50	508A-5-6		530A-30
36738-96J00	322A-13		530A-6-6	37820-93J94	530A-20
36890-93J00	517A-23		530A-17-6	37820-99E01	315A-14
	544A-16		530A-27-6	37823-92E01	508A-10
36890-93J10	541A-15	37141-99E60	508A-5-7		530A-31
36894-87D00	336A-2		530A-6-7	37825-99E00	530A-10
	336A-26		530A-17-7	37826-92J00	508A-11
	336B-2		530A-27-7		530A-32
	336B-26	37141-99E70	508A-5-8	37850-90J05	508A-12
	336C-2		530A-6-8	37850-92E26	517A-5
	336C-26		530A-17-8	37850-92J00	326A-9
	336D-2		530A-27-8	37850-93J10	541A-4
	336D-26	37141-99E80	508A-5-9		544A-4
	337A-33		530A-6-9	37855-99E00	530A-12
36895-87D10	337A-35		530A-17-9	37856-92J00	326A-10
	405A-9		530A-27-9	37857-92J00	326A-11
	405B-9	37141-99E90	508A-5-10	37859-90J00	508A-51
	405C-6		530A-6-10	37860-87L00	530A-37
	405D-6		530A-17-10	37862-87L00	530A-38
36990-87D00	522A-12		530A-27-10	38100-96J01	337A-4
37100-96J00	530A-1	37141-99EA0	508A-5-11		340A-1
37100-96J14	530A-15		530A-6-11	38410-93J20	326A-14
37100-96J24	530A-25		530A-17-11	38415-93J20	326A-15
37110-93J01	530A-5		530A-27-11	38500-93J00	522A-4
	530A-16	37141-99EB0	508A-5-12	38500-93J90	508A-13
	530A-26		530A-6-12		530A-3
37110-93J11	508A-4		530A-17-12		530A-23
37139-99E00	530A-2		530A-27-12		530A-35
37139-99E10	530A-21	37143-99E00	508A-6	38860-76F01	322A-14
37139-99E20	530A-33		530A-7		322A-15
37141-99E00	508A-5-1		530A-18	39950-88L00	588A-16
	530A-6-1		530A-28		
	530A-17-1	37149-93J00	508A-7		
	530A-27-1		530A-8		
37141-99E10	508A-5-2		530A-19		
	530A-6-2		530A-29		
	530A-13	37210-93J00	530A-13		
	530A-27-2		37212-93J00		
37141-99E20	508A-5-3	37220-92E00	541A-16		
	530A-6-3		542A-11	41111-96J21-0EP	335A-1-1
	530A-17-3		37721-93J00	326A-5	335A-1-2
	530A-27-3		37721-93J91	508A-8	41121-96J12-0EP
37141-99E30	508A-5-4	37721-95500	518A-12	41121-96J12-Y5S	335A-2-2
	530A-6-4		545A-11	41130-92J03	335A-3

40000

PART NO.	FIG.NO.-REF.NO.	PART NO.	FIG.NO.-REF.NO.	PART NO.	FIG.NO.-REF.NO.
41135-92J00	335A-4		336B-6-3	51123-96J01	401A-13
41155-93J02	335A-10		336C-6-1		585A-11
41161-94400	575A-2		336D-6-1	51124-93J01	401A-11
41220-96J10	336A-15	43750-96J60-Y5S	336A-6-4	51125-93J00	401A-12
	336B-15		336B-6-4	51140-96J00	401A-17
	336C-15		336C-6-2	51142-96J00	401A-18
	336D-15		336D-6-2		585A-12
41224-95E01	336A-17	48000-96J05	337A-1	51161-96J01	401A-20
	336B-17	48121-92J00	337A-24	51162-96J00	401A-21
	336C-17	48140-93J01	335A-13	51170-96J01	401A-23
	336D-17	48144-93J00	335A-14	51211-96J00	401A-3
41230-96J00	336A-18	48145-93J00	335A-16		585A-13
	336B-18	48311-96J20	337A-25	52111-96J00-0EP	405A-1-1
	336C-18	48321-87D03	337A-26		405B-1-1
	336D-18	48326-95E00	337A-27	52111-96J00-Y5S	405A-1-2
41233-95E10	336A-19	48401-96J01	337A-7		405B-1-2
	336B-19	48405-87D00	337A-14	52111-96J10-0EP	405A-1-3
	336C-19	48502-96J05	337A-5		405B-1-3
	336D-19		340A-11		405C-1-1
41234-96J10	336A-16	48503-96J03	337A-6		405D-1-1
	336B-16	48570-95E01	337A-16	52111-96J10-Y5S	405A-1-4
	336C-16	48572-95E00	337A-17		405B-1-4
	336D-16	48582-95E01	340A-12		405C-1-2
43111-96J00-0EP	336A-3-1	48583-95E00	337A-18		405D-1-2
	336B-3-1	48585-95E00	337A-19	54112-96J01	401A-30
43111-96J00-Y5S	336A-3-2	48588-94900	337A-20	54121-96J01	401A-28
	336B-3-2	48601-94900	337A-8	54122-96J00	401A-37
43111-96J10-0EP	336A-3-3	48615-97E00	337A-15	54127-96J00	401A-36
	336B-3-3	48627-95E00	337A-9	54130-96J01	401A-29
	336C-3-1	48630-96J02	337A-10	54137-93J02	401A-33
	336D-3-1	48633-94900	337A-11	54151-96J01	405A-11
43111-96J10-Y5S	336A-3-4	48641-96J02	337A-12		405B-11
	336B-3-4	48650-94900	337A-13		405C-8
	336C-3-2	48661-92J01	337A-21		405D-8
	336D-3-2	48662-92J00	337A-22	54160-96J01	405A-12
43117-96J00	315A-24	48662-92J30	337A-23		405B-12
43118-96J00	315A-26	48664-96J10	340A-13		405C-9
43211-93J00	336A-4				405D-9
	336B-4			54167-96J00	405A-20
	336C-4				405B-20
	336D-4				405C-17
43711-97E01	336A-5				405D-17
	336B-5			54211-96J01-0EP	405A-13-1
	336C-5				405B-13-1
	336D-5				405C-10-1
43750-96J50-0EP	336A-6-1	51111-96J00-0EP	401A-1-1		405D-10-1
	336B-6-1	51111-96J00-Y5S	401A-1-2	54211-96J01-Y5S	405A-13-2
43750-96J50-Y5S	336A-6-2	51115-90J10	401A-4		405B-13-2
	336B-6-2	51120-96J01	401A-9		405C-10-2
43750-96J60-0EP	336A-6-3	51122-96J01	401A-10		405D-10-2

PART NO.	FIG.NO.-REF.NO.	PART NO.	FIG.NO.-REF.NO.	PART NO.	FIG.NO.-REF.NO.
54221-96J00	405A-14		407B-14		220B-11
	405B-14		407C-17	57610-93J00	220A-18
	405C-11		407D-17		220B-18
	405D-11	55333-87D10	407A-15	57610-93J20	220C-15
	407A-1-1		407B-15		220D-15
55110-93J20-0EP	407B-1-1		407C-18	57621-93J10	220A-19
	407A-1-2		407D-18		220B-19
55110-93J20-Y5S	407B-1-2	56120-93J50-0EP	220A-27-1	57621-93J20	220C-16
	407C-1-1		220B-27-1		220D-16
55110-93J30-0EP	407D-1-1	56120-93J50-Y5S	220A-27-2	57622-93J00	220C-23
	407C-1-2		220B-27-2		220D-23
55110-93J30-Y5S	407D-1-2	56120-93J60-0EP	220C-27-1	57630-92E00	407A-28
	407A-8-1		220D-27-1		407B-28
55125-98J00-0EP	407B-8-1	56120-93J60-Y5S	220C-27-2		407C-31
	407C-11-1		220D-27-2		407D-31
	407D-11-1	56130-93J01	220A-34	57631-93J00	220A-21
	407A-8-2		220B-34		220B-21
55125-98J00-Y5S	407B-8-2		220C-34		220C-18
	407C-11-2		220D-34		220D-18
	407D-11-2	56140-93J01	220A-37	57632-93L01	407A-22
	407A-16		220B-37		407B-22
55127-87D00	407B-16	56140-93J10	220C-37		407C-25
	407C-19		220D-37		407D-25
	407D-19	56145-93J00	407C-3	57633-87D30	407A-23
	407A-10		407D-3		407B-23
55128-93J10	407B-10	57110-96J30	220A-1-2		407C-26
	407C-13		220B-1-2		407D-26
	407D-13		220C-1	58105-93J10	407A-21
	407A-27		220D-1		407B-21
55128-93L00	407B-27	57110-96J40	220A-1-1		407C-24
	407C-30		220B-1-1		407D-24
	407D-30	57130-87D10	405A-7	58200-93L00	407A-20-1
	335A-11		405B-7		407B-20-1
55320-94900	111A-18		405C-4	58200-93L10	407A-20-2
55321-87J00	113A-13		405D-4		407B-20-2
	140A-6	57133-93J00	220A-2	58200-93L20	407A-20-3
	336A-13-1		220B-2		407B-20-3
	336B-13-1		220C-2	58200-93L30	407A-20-4
	336C-13-1		220D-2		407B-20-4
	336D-13-1	57134-93J00	220A-3	58200-93L40	407A-20-5
	336A-13-2		220B-3		407B-20-5
55321-87J10	336B-13-2		220C-3	58200-93L50	407A-20-6
	336C-13-2		220D-3		407B-20-6
	336D-13-2	57300-96850	220A-6	58200-93L60	407A-20-7
	407A-12		220B-6		407B-20-7
55321-93J00	407B-12	57300-96860	220C-6	58200-93L70	407A-20-8
	407C-15		220D-6		407B-20-8
	407D-15	57500-87852	220A-14	58200-93L80	407A-20-9
	335A-17		220B-14		407B-20-9
55321-94910	407A-14	57500-87861	220A-11	58200-93LA0	407C-23-1

PART NO.	FIG.NO.-REF.NO.	PART NO.	FIG.NO.-REF.NO.	PART NO.	FIG.NO.-REF.NO.
	407D-23-1		407D-23-9	61420-96830-OEP	420A-1
58200-93LB0	407C-23-2	58300-93JC0	407C-23-10		420C-1
	407D-23-2		407D-23-10		420E-1
58200-93LC0	407C-23-3	58300-93JD0	407C-23-11		420G-1
	407D-23-3		407D-23-11	61420-96840-Y5S	420B-1
58200-93LD0	407C-23-4				420D-1
	407D-23-4				420F-1
58200-93LE0	407C-23-6	60000		61422-93J52	420H-1
	407D-23-6				420A-13
58200-93LF0	407C-23-5				420C-13
	407D-23-5	61112-96L00	420A-12		420E-13
58200-93LG0	407C-23-7		420B-12		420G-13
	407D-23-7		420C-12	61422-93J90	420B-13
58200-96J00	407A-20-15		420D-12		420D-13
	407B-20-15		420E-12		420F-13
58200-96J10	407A-20-16		420F-12		420H-13
	407B-20-16		420G-12	61433-96L00	420A-2
58200-96J20	407A-20-17		420H-12		420B-2
	407B-20-17	61124-96J02	410A-28		420C-2
58200-96J30	407A-20-18		410B-28		420D-2
	407B-20-18		410C-27		420E-2
58200-96J40	407A-20-19		410D-27		420F-2
	407B-20-19	61131-96J02-OEP	410A-1-1		420G-2
58200-96J50	407A-20-20		410B-1-1		420H-2
	407B-20-20		410A-1-2	61435-96L00	420A-14
58200-96JA0	407C-23-15	61131-96J02-Y5S	410B-1-2		420C-14
	407D-23-15		410A-1-3		420E-14
58200-96JB0	407C-23-12		410B-1-3		420G-14
	407D-23-12		410C-1-1	61435-96L10	420B-14
58200-96JC0	407C-23-13		410D-1-1		420D-14
	407D-23-13	61131-96J12-Y5S	410A-1-4		420F-14
58200-96JD0	407C-23-14		410B-1-4		420H-14
	407D-23-14		410C-1-2	61443-96J22	420A-15
58200-96JE0	407C-23-16		410D-1-2		420C-15
	407D-23-16	61134-96J02	410A-7		420E-15
58200-96JF0	407C-23-17		410B-7		420G-15
	407D-23-17		410C-6	61443-96J30	420B-15
58300-93J00	407A-20-10		410D-6		420D-15
	407B-20-10	61141-96J02-OEP	410A-2-1		420F-15
58300-93J10	407A-20-11		410B-2-1		420H-15
	407B-20-11	61141-96J02-Y5S	410A-2-2	61453-96J22	420A-16
58300-93J20	407A-20-12		410B-2-2		420C-16
	407B-20-12		410A-2-3		420E-16
58300-93J30	407A-20-13	61141-96J12-OEP	410B-2-3		420G-16
	407B-20-13		410C-2-1	61453-96J30	420B-16
58300-93J40	407A-20-14		410D-2-1		420D-16
	407B-20-14	61141-96J12-Y5S	410A-2-4		420F-16
58300-93JA0	407C-23-8		410B-2-4		420H-16
	407D-23-8		410C-2-2	61458-99E70	420A-19
58300-93JB0	407C-23-9		410D-2-2		420B-19

PART NO.	FIG.NO.-REF.NO.	PART NO.	FIG.NO.-REF.NO.	PART NO.	FIG.NO.-REF.NO.
	420C-19		420E-6		410C-11-2
	420D-19		420F-6		410D-11-2
	420G-6		420H-6	61632-93J00	63610-96J00
	420F-19		420A-16		63615-96J00
	420G-19		410A-16		65700-93J02
	420H-19		410B-16		65770-93J11
61471-98J00	420A-18		410C-15		67140-95600
	420B-18		410D-15		67200-93J13
	420C-18	61633-96J02	410A-17		545A-1
	420D-18		410B-17		67200-93J23
	420E-18		410C-16		542A-1
	420F-18		410D-16		67200-93J32
	420G-18	61634-96J02	410A-18		518A-1
	420H-18		410B-18		67200-93J50
	420A-23		410C-17		67211-92E50
	420B-23		410D-17		67211-93J00
61472-93E32	420C-23		410A-19		67211-93J10
	420D-23	61641-93J10	410B-19		67212-95600
	420E-23		410C-18		67220-95630
61476-96J10	420A-3		410D-18		67221-92E00
	420B-3		410A-20		545A-8
	420C-3	61645-96J02	410B-20		67221-92E50
	420D-3		410C-19		67222-92E00
	420E-3		410D-19		545A-2
	420F-3		410A-21		67222-92E50
	420G-3	61673-96J02	410B-21		67223-92E00
	420H-3		410C-20		545A-3
61494-96J10	135A-24		410D-20		67223-92E50
	135B-24		410A-5-1		67223-99E10
	135C-24	61811-96L00-OEP	410B-5-1		67224-92E00
	135D-24		410C-4-1		545A-9
	420A-4		410D-4-1		67224-92E50
61565-96L00	420B-4		410A-5-2		67225-92E00
	420C-4	61811-96L00-Y5S	410B-5-2		67225-92E50
	420D-4		410C-4-2		67226-92E00
	420E-4		410D-4-2		545A-15
	420F-4		410A-6-1		67226-92E10
	420G-4	61820-96L00-OEP	410B-6-1		518A-14
	420H-4		410C-5-1		545A-16
61610-93J00	420A-5		410D-5-1		67227-92E00
	420B-5		410A-6-2		542A-24
	420C-5	61820-96L00-Y5S	410B-6-2		545A-24
	420D-5		410C-5-2		67228-92E00
	420E-5		410D-5-2		518A-17
	420F-5		410A-12-1		545A-18
	420G-5	61831-96J10-OEP	410B-12-1		67229-95600
	420H-5		410C-11-1		67230-92E00
	420A-6		410D-11-1		545A-20
61621-93J00	420B-6		410A-12-2		545A-20
	420C-6	61831-96J10-Y5S	410B-12-2		67231-92E00
	420D-6				518A-80

PART NO.	FIG.NO.-REF.NO.	PART NO.	FIG.NO.-REF.NO.	PART NO.	FIG.NO.-REF.NO.	PART NO.	FIG.NO.-REF.NO.	PART NO.	FIG.NO.-REF.NO.	PART NO.	FIG.NO.-REF.NO.
67232-92E50 67232-95600	542A-43	67246-92E00	542A-37	67274-92E00	544A-22	67295-92E00	541A-24	67320-93J40	508A-59-5	70000	
	545A-41		545A-36		542A-41		544A-8		508A-59-6		
	518A-43		518A-34		544A-24		517A-4		508A-59-7		
	508A-19		517A-9		517A-28		541A-5		508A-59-8		
67232-95620	518A-41	67251-99E20	541A-11	67281-93J00	508A-38	67296-88D10	544A-5	67320-93J80	508A-59-9	77811-54GB0-0PG	508A-46
	542A-44		544A-12		517A-24		67341-96J00		410A-33		
	545A-42		508A-25		541A-21		410B-33		410C-32		
	542A-29		518A-35		544A-21		410C-32		410D-32		
67233-92E00	545A-28	67252-92E00	518A-38	67282-93J00	544A-17	67296-92E50	517A-18	67343-96J00	410A-29	77811-54GC0-0PG	420B-17
	518A-27		542A-40		541A-17		517A-15		410A-29		
	542A-27		545A-39		508A-52		518A-24		410B-29		
	545A-26		508A-26		517A-26		544A-6		410C-28		
67234-92E00	518A-21	67253-92E00	541A-14	67282-94L00	545A-13	67296-92E10	545A-13	67361-93J00	410D-28	70000	420C-17
	542A-22		544A-15		508A-53		545A-30		410D-28		
	545A-22		518A-37		518A-18		545A-30		410A-37		
	518A-28		542A-39		542A-19		517A-17		410B-37		
67235-92E00	542A-28	67253-95600	545A-38	67287-92E00	508A-41	67296-88D20	517A-17	67463-95200	410C-36	90000	420E-17
	545A-27		508A-27		541A-20		67296-88D30		410C-36		
	518A-30		518A-39		544A-20		67296-90J00		410D-36		
	542A-33		542A-42		542A-49		67296-92E11		164A-8		
67237-92E01	545A-32	67254-92E50	545A-40	67287-92E50	517A-19	67296-92E20	545A-12	67467-89J01	204A-25	99011-96L00-054	420A-21-1
	518A-31		517A-22		67288-92E00		518A-15		204B-25		
	542A-34		517A-8		545A-4		545A-12		204C-25		
	545A-33		508A-28		518A-4		518A-15		204D-25		
67238-87D00 67238-92E00	508A-20	67255-99E10	508A-28	67288-92E10	518A-4	67296-92E30	542A-14	67500-93J00	544A-29	99011-96L00-059	420E-21-1
	542A-35		517A-11		542A-6		67500-93J10		541A-27		
	545A-34		508A-29		545A-6		67600-93J00		573A-1		
	518A-32		517A-12		517A-14		67630-93J00		573A-5		
67238-92E50 67239-92E00	518A-32	67256-95600	541A-10	67288-92E20	517A-14	67296-92E60	541A-12	67700-96J00	575A-1	90000	420C-21
	518A-33		541A-11		541A-7		67701-96J00		575A-3		
	542A-36		544A-11		544A-7		67721-93J00		573A-4		
	545A-35		508A-30		541A-13		67721-96J00		575A-4		
67239-92E10	518A-29	67257-99E10	508A-31	67288-92E30	544A-14	67296-92E70	544A-28	67725-93E00	573A-6	99011-96L00-059	420F-21-2
	542A-47		508A-32		541A-9		67725-93E00		573A-6		
	545A-45		517A-10		544A-10		67725-93J00		573A-2		
	542A-17		541A-2		517A-6		67725-96J00		575A-5		
67240-92E00	545A-17	67261-93J00	544A-2	67288-92E60	517A-6	67296-94300	508A-34	67726-93J00	573A-3	90000	420D-21
	518A-16		544A-2		517A-16		67726-99E00		573A-7		
	542A-45		508A-33		518A-5		67726-99E00		575A-6		
	545A-43		67261-99E10		542A-7		67728-99E00		575A-7		
67241-92E50	542A-45	67263-93J00	544A-3	67291-92E10	545A-7	67296-95610	542A-26	68110-98J00	420A-22	00000	420E-21-2
	545A-43		508A-35		518A-36		67728-99E00		420B-22		
	518A-42		508A-36		542A-38		67728-99E00		420C-22		
	67241-99E10		542A-30		545A-37		67725-93E00		420G-21		
67242-92E50 67243-92E00	517A-13	67269-92E00	545A-29	67292-94300	508A-39	67296-95621	508A-58	67725-93J00	573A-2	01421-08257	123A-25
	542A-46		541A-25		518A-3		67297-95600		420D-22		
	545A-44		544A-26		542A-5		67298-92E50		420E-22		
	508A-22		542A-48		545A-5		67298-92E50		420F-22		
67244-95600 67245-92E00	508A-23	67272-92E10	544A-23	67294-92E00	518A-11	67300-93J00	410A-36	69711-93E10	420H-22	01547-06167	420B-8
	518A-22		541A-23		542A-10		410B-36		420G-22		
	542A-23		508A-37		545A-10		410C-35		420H-22		
	545A-23		517A-25		508A-40		410D-35		135A-25		
67245-95600	508A-24	67273-92E10	541A-22	67294-95600	508A-40	67320-93J00	508A-59-1	67320-93J10	135B-25	01547-06207	420E-8
			508A-37		545A-10		508A-59-2		135C-25		
			517A-25		508A-40		508A-59-3		420C-8		
			541A-22		508A-57		508A-59-4		420D-8		

PART NO.	FIG.NO.-REF.NO.	PART NO.	FIG.NO.-REF.NO.	PART NO.	FIG.NO.-REF.NO.
01547-06257	111A-25		135A-7		143B-19
01547-06507	111A-26		135B-4		143C-19
01550-05107	410A-27		135B-7		143D-19
	410B-27		135C-4		178A-4
	410C-26		135C-7		301A-23
	410D-26		135D-4	01550-0835A	111A-13
	123A-32		135D-7		119A-15
	135A-21		204A-10	01550-08407	143A-20
	135B-21		204B-10		143B-20
	135C-21		204C-10		143C-20
	135D-21		204D-10		143D-20
	144A-30		310A-9	01550-08457	111A-14
	144A-31		401A-19		140A-10
	144B-30	01550-0620A	119A-17	01550-08557	113A-19
	144B-31	01550-06257	118A-3		123A-14
	144C-30		118A-6	01550-08607	111A-15
	144C-31		121A-11		123A-15
	144D-30		123A-26	01550-08657	164A-17
	144D-31		162A-8	01550-0870A	175A-8
	162A-27		164A-16	01550-1020A	118A-18
	164A-21		310A-6	01570-06127	410A-31
	180A-25		310A-7		410B-31
	303A-11		401A-7		410C-30
	315A-23	01550-06307	135A-5		410D-30
	322A-25		135B-5	02112-0408A	143A-13
	420A-9		135C-5		143B-13
	420B-9		135D-5		143C-13
	420C-9		140A-3		143D-13
	420D-9	01550-08167	113A-18	02112-05107	143A-15
	420E-9		144A-33		143B-15
	420F-9		144B-33		143C-15
	420G-9		144C-33		143D-15
	420H-9		144D-33	02112-05127	123A-18
	123A-16	01550-08207	111A-20	02112-0612A	111A-24
	144A-32		113A-15	02112-34167	123A-17
	144B-32		123A-34	02112-35167	326A-4
	144C-32		140A-8	02142-0408B	143A-3
	144D-32		301A-22		143B-3
	146A-20	01550-08257	111A-11		143C-3
	146B-20		111A-12		143D-3
	146C-20		144A-34	02142-05107	204A-12
	146D-20		144B-34		204B-12
	164A-15		144C-34		204C-12
	303A-8		144D-34		204D-12
	410A-34	01550-0825A	118A-31	02142-06167	322A-6
	410B-34		119A-11	02162-05207	123A-19
	410C-33	01550-08307	123A-27	03112-06303	502A-26
	410D-33		401A-27	03121-0516A	530A-22
01550-0616A	175A-7	01550-0830A	401A-15		530A-34
01550-06207	135A-4	01550-08357	143A-19	03542-05169	420A-10

PART NO.	FIG.NO.-REF.NO.	PART NO.	FIG.NO.-REF.NO.	PART NO.	FIG.NO.-REF.NO.
	420A-11		146D-23	09106-05030	303A-6
	420B-10		322A-2	09106-06075	113A-8
	420B-11	08321-01067	322A-22	09108-10150	405A-3
	420C-10	08322-01107	164A-18		405B-3
	420C-11	08331-41359	204A-21	09116-05010	315A-25
	420D-10		204B-21	09116-06121	162A-4
	420D-11		204C-21		335A-12
	420E-10		204D-21		401A-24
	420E-11	09100-08232	508A-47	09116-06127	410A-22
	420F-10	09100-12052	407A-3		410B-22
	420F-11		407B-3		410C-21
	420G-10		407C-6		410D-21
	420G-11		407D-6	09116-06202	135A-15
	420H-10	09100-12085	335A-6-2		135B-15
	420H-11	09100-12086	335A-6-1		135C-15
04211-11129	118A-12	09100-12092	335A-6-3		135D-15
	118A-22	09100-14004	405A-15		144A-17
04221-04089	116A-5		405B-15		144B-17
	118A-19		405C-12		144C-17
04221-08129	220A-38		405D-12		144D-17
	220B-38	09103-06093	180A-17		310A-10
	407C-4		315A-15	09116-06236	407A-13
	407D-4		401A-22		407B-13
06111-07004	220A-24	09103-06211	146A-21		407C-16
	220B-24		146B-21		407D-16
	220C-21		146C-21	09116-08128	180A-11
	220D-21		146D-21	09116-08131	160A-14
	220A-25	09103-06231	303A-9		160B-14
	220B-25	09103-06266	111A-2		160C-14
06111-11004	220C-22	09103-06278	335A-15		160D-14
	220D-22	09103-06281	111A-19	09116-08137	407A-9
08110-60020	175A-9		113A-14		407B-9
08110-62080	119A-4		140A-7		407C-12
08113-60100	220A-32		336A-14		407D-12
	220B-32		336B-14	09116-08158	220A-33
	220A-12-1		336C-14		220B-33
08211-30382	220B-12-1		336D-14		220C-33
	220A-12-5	09103-06307	315A-16		220D-33
08211-30384	220B-12-5	09103-08109	401A-14	09116-08163	410A-13
	220A-12-8	09103-08158	118A-32		410B-13
08211-30385	220B-12-8	09103-08339	119A-7		410C-12
	220A-10	09103-08414	118A-20		410D-12
08221-16256	220B-10	09103-08423	118A-21	09116-10135	401A-34
	220C-9	09103-08543	135A-14	09116-10137	401A-26
	220D-9		135B-14	09116-10146	180A-20
	322A-21		135C-14	09116-10150	407A-4
08310-00067	123A-28		135D-14		407B-4
08316-10087	146A-23	09103-10229	116A-11		407C-7
	146B-23	09103-10284	113A-4		407D-7
	146C-23	09103-12125	303A-2	09116-10175	401A-35

PART NO.	FIG.NO.-REF.NO.	PART NO.	FIG.NO.-REF.NO.	PART NO.	FIG.NO.-REF.NO.
09116-10179	337A-28		160B-13-1	09160-06047	410A-30
09116-10180	401A-25		160B-13-2		410B-30
	405A-17		160C-13		410C-29
	405B-17		160D-13		410D-29
	405C-14	09136-06148	410A-9	09160-06055	204A-26
	405D-14		410B-9		204B-26
09116-10181	180A-21		410C-8		204C-26
	405A-2-1		410D-8		204D-26
	405A-2-2	09137-04004	326A-6	09160-06066	164A-11
	405B-2-1	09139-06135	410A-3-1	09160-06082	336A-22
	405B-2-2		410A-3-2		336B-22
	405C-2		410B-3-1		336C-22
	405D-2		410B-3-2		336D-22
09116-10182	405A-16		410C-3	09160-06084	310A-11
	405B-16		410D-3	09160-06094	204A-6
	405C-13	09139-06147	410A-4		204B-6
	405D-13		410B-4		204C-6
09119-06047	164A-9	09140-05005	164A-10		204D-6
09125-04004	518A-26		541A-30	09160-06104	508A-50
09125-04021	517A-7		544A-32		517A-20
09125-05042	518A-20	09140-06020	508A-49	09160-08079	118A-28
	542A-21		518A-10	09160-08151	206A-10
	545A-21		542A-32		206B-10
09125-05048	315A-17		545A-31		206C-10
09125-05050	337A-36	09140-10032	336A-21		206D-10
09125-05135	541A-28		336B-21	09160-10039	118A-33
	544A-30		336C-21	09160-10120	116A-12
09125-06063	336A-7		336D-21	09160-10141	405A-5
	336A-20	09140-16021	220A-9		405B-5
	336A-27		220B-9	09160-12066	407A-5
	336B-7		220C-8		407B-5
	336B-20		220D-8		407C-8
	336B-27	09141-18005	407A-24		407D-8
	336C-7		407B-24	09160-13014	410A-23
	336C-20		407C-27		410B-23
	336C-27		407D-27		410C-22
	336D-7	09159-12062	335A-7		410D-22
	336D-20	09159-14026	401A-31	09160-13021	335A-8
	336D-27	09159-22006	335A-5	09160-13022	335A-9
	337A-34	09159-28003	220A-4	09160-15051	401A-32
	405A-10		220B-4	09160-16050	405A-18
	405B-10		220C-4		405A-19
	405C-7		220D-4		405B-18
	405D-7	09160-05024	541A-19		405B-19
09126-05003	508A-48		544A-19		405C-15
09126-06006	542A-25	09160-05029	315A-18		405C-16
	545A-25		326A-3		405D-15
09131-05004	530A-39		541A-29		405D-16
09132-04034	160A-13-1		544A-31	09160-18028	407A-25
	160A-13-2	09160-05045	123A-29		407B-25

PART NO.	FIG.NO.-REF.NO.	PART NO.	FIG.NO.-REF.NO.	PART NO.	FIG.NO.-REF.NO.
	407C-28		410B-24		220B-15-4
	407D-28		410C-23	09181-50007	220A-15-5
09160-30036	220A-12-2		410D-23		220B-15-5
	220B-12-2	09168-10034	407A-11	09181-50008	220A-15-6
09160-30037	220A-12-3		407B-11		220B-15-6
	220B-12-3		407C-14	09181-50009	220A-15-7
09160-30038	220A-12-4		407D-14		220B-15-7
	220B-12-4	09168-12012	180A-13	09181-50010	220A-15-8
09160-30039	220A-12-6	09168-12013	144A-18		220B-15-8
	220B-12-6		144C-18	09181-50012	220A-15-2
09160-30041	220A-12-7	09168-16009	111A-7		220B-15-2
	220B-12-7	09169-06053	322A-4	09181-50013	220A-15-1
09160-30042	220A-12-9	09169-06062	135A-16		220B-15-1
	220B-12-9		135B-16	09181-60004	220A-8-1
09160-30043	220A-12-10		135C-16		220B-8-1
	220B-12-10		135D-16		220C-7-1
09160-30044	220A-12-11		144A-19		220C-12-1
	220B-12-11		144B-19		220D-7-1
09160-30055	220C-24		144C-19		220D-12-1
	220D-24		144D-19	09181-60005	220A-8-2
09160-30056	220C-25		310A-4		220B-8-2
	220D-25	09169-08039	410A-14		220C-7-2
09160-35002	220C-10-6		410B-14		220C-12-2
	220D-10-6		410C-13		220D-7-2
09160-35003	220C-10-8		410D-13		220D-12-2
	220D-10-8	09169-08042	135A-17	09181-60006	220A-8-3
09160-35004	220C-10-4		135B-17		220B-8-3
	220D-10-4		135C-17		220C-7-3
09160-35006	220C-10-5		135D-17		220C-12-3
	220D-10-5		143A-17		220D-7-3
09160-35008	220C-10-7		143B-17		220D-12-3
	220D-10-7		143C-17	09181-60007	220A-8-4
09160-35009	220C-10-9		143D-17		220B-8-4
	220D-10-9	09169-28003	336A-11		220C-7-4
09160-35010	220C-10-3		336B-11		220C-12-4
	220D-10-3		336C-11		220D-7-4
09160-35013	220C-10-2		336D-11		220D-12-4
	220D-10-2	09180-05047	123A-7	09181-60008	220A-8-5
09160-35015	220C-10-1	09180-06230	164A-12		220B-8-5
	220D-10-1	09180-06289	401A-5		220C-7-5
09160-39001	336A-8	09180-25082	220A-26		220C-12-5
	336B-8		220B-26		220D-7-5
	336C-8	09181-12167	175A-5		220D-12-5
	336D-8	09181-39001	336A-9	09181-60009	220A-8-6
09160-75002	220A-13		336B-9		220B-8-6
	220B-13		336C-9		220C-7-6
	220C-11		336D-9		220C-12-6
	220D-11	09181-50005	220A-15-3		220D-7-6
09162-10005	337A-30		220B-15-3		220D-12-6
09164-14008	410A-24	09181-50006	220A-15-4	09181-60010	220A-8-7

PART NO.	FIG.NO.-REF.NO.	PART NO.	FIG.NO.-REF.NO.	PART NO.	FIG.NO.-REF.NO.
	220B-8-7		220D-13-6	09204-03003	407A-26
	220C-7-7	09181-75015	220A-16-8		407B-26
	220C-12-7		220B-16-8		407C-29
	220D-7-7		220C-13-8		407D-29
	220D-12-7		220D-13-8	09205-02006	206A-4
09181-60011	220A-8-8	09181-75016	220A-16-10		206B-4
	220B-8-8		220B-16-10		206C-4
	220C-7-8		220C-13-10		206D-4
	220C-12-8		220D-13-10	09205-10006	204A-22
	220D-7-8	09181-75018	220A-16-1		204B-22
	220D-12-8		220B-16-1		204C-22
09181-60012	220A-8-9		220C-13-1		204D-22
	220B-8-9		220D-13-1	09206-08001	111A-3
	220C-7-9	09181-75019	220A-16-2		401A-8
	220C-12-9		220B-16-2		401A-16
	220D-7-9		220C-13-2	09206-14004	113A-3
	220D-12-9		220D-13-2	09206-15001	111A-10
09181-60013	220A-8-10	09202-04022	410A-25	09241-25005	119A-2
	220B-8-10		410B-25	09246-05006	118A-13
	220C-7-10		410C-24	09247-14041	144A-20
	220C-12-10		410D-24		144C-20
	220D-7-10	09202-05032	118A-24	09247-14042	144B-20
	220D-12-10		121A-8		144D-20
09181-75008	220A-16-5	09202-05033	121A-5	09248-12009	180A-14
	220B-16-5	09202-06031	160A-15	09248-12011	204A-18
	220C-13-5		160B-15		204B-18
	220D-13-5		160C-15		204C-18
09181-75009	220A-16-7		160D-15		204D-18
	220B-16-7		303A-3	09248-26001	113A-5
	220C-13-7	09202-08006	180A-12	09250-21003	410A-38
	220D-13-7		405A-6		410B-38
09181-75010	220A-16-9		405B-6		410C-37
	220B-16-9		405C-3		410D-37
	220C-13-9		405D-3	09251-09002	430A-1
	220D-13-9		407A-7	09260-10005	204A-23
09181-75011	220A-16-1		407B-7		204B-23
	220B-16-1		407C-10		204C-23
	220C-13-1		407D-10		204D-23
	220D-13-1	09202-08007	220A-20	09262-17019	204A-20
09181-75012	220A-16-3		220B-20		204B-20
	220B-16-3		220C-17		204C-20
	220C-13-3		220D-17		204D-20
09181-75013	220D-13-3	09204-01006	204A-7	09262-40018	119A-5
	220A-16-4		204B-7	09262-60002	220C-38
	220B-16-4		204C-7		220D-38
	220C-13-4		204D-7	09263-25067	220A-7
	220D-13-4		336A-23		220B-7
09181-75014	220A-16-6		336B-23	09263-30063	220A-28
	220B-16-6		336C-23		220B-28
	220C-13-6		336D-23		220C-28

PART NO.	FIG.NO.-REF.NO.	PART NO.	FIG.NO.-REF.NO.	PART NO.	FIG.NO.-REF.NO.
	220D-28		206B-7		135D-18
09263-32017	407A-2		206C-7		310A-5
	407B-2		206D-7	09320-09039	162A-22
	407C-2	09282-24004	220A-36	09320-11013	410A-15
	407D-2		220B-36		410B-15
09263-50009	220A-39		220C-36		410C-14
	220B-39		220D-36	09320-12072	410D-14
	220C-32	09282-30006	220A-30		135A-19
	220D-32		220B-30		135B-19
09265-50002	407C-5		220C-30		135C-19
	407D-5		220D-30		135D-19
09269-30014	220C-26	09282-39001	336A-12		143A-18
	220D-26		336B-12		143B-18
09269-32001	220A-5		336C-12		143C-18
	220B-5		336D-12		143D-18
	220C-5	09283-32044	119A-6	09321-08005	144A-36
	220D-5	09283-91001	116A-13		144B-36
09269-75002	220A-17	09289-05012	121A-20		144C-36
	220B-17	09289-18001	204A-19		144D-36
	220C-14		204B-19	09329-10022	420A-7
	220D-14		204C-19		420B-7
09280-00040	220A-29	09306-06004	204D-19		420C-7
	220B-29		204A-8		420D-7
	220C-29		204B-8		420E-7
	220D-29		204C-8		420F-7
09280-05007	113A-6		204D-8		420G-7
09280-09008	180A-24	09306-10001	164A-13		420H-7
09280-16005	180A-4		204A-3	09329-14002	113A-10
09280-22019	111A-17		204B-3	09343-75001-600	144A-23
	113A-12		204C-3		144A-24
	140A-5		204D-3		144A-25
09280-22020	175A-6	09306-13007	410A-26		144B-23
09280-26006	118A-8		410B-26		144B-24
	162A-3		410C-25		144B-25
	401A-6		410D-25		144C-23
09280-29006	123A-8	09306-17001	337A-31		144C-24
09280-33004	146A-16	09320-04009	322A-5		144C-25
	146B-16	09320-07015	123A-9		144D-23
	146C-16	09320-08021	322A-10		144D-24
	146D-16	09320-08062	144A-22		144D-25
09280-60007	206A-11		144B-22	09352-50823-00B	143A-24
	206B-11		144C-22		143B-24
	206C-11		144D-22		143C-24
	206D-11	09320-08501	144A-21		143D-24
09280-66004	220A-35		144B-21	09352-50823-600	143A-26
	220B-35		144C-21		143B-26
	220C-35		144D-21		143C-26
	220D-35	09320-09016	135A-18		143D-26
09280-70012	119A-8		135B-18	09352-50903-600	162A-9
09282-08005	206A-7		135C-18		162A-10

PART NO.	FIG.NO.-REF.NO.	PART NO.	FIG.NO.-REF.NO.	PART NO.	FIG.NO.-REF.NO.
	162A-11	09383-08005	164A-14	09403-19409	315A-20
	162A-12	09385-06012	204A-27	09403-20307	315A-21
	162A-13		204B-27	09407-08401	530A-4
	162A-14		204C-27		530A-24
	162A-15		204D-27		530A-36
	162A-16	09387-38002	405A-8	09407-10404	322A-34
	522A-6		405B-8		407A-19
09352-90133-600	162A-17		405C-5		407B-19
09355-35754-601	123A-10		405D-5		407C-22
	123A-11	09401-08412	143A-23		407D-22
	123A-12		143A-25		522A-10
	123A-13		143B-23	09407-14403	322A-28
09355-40805-600	407A-17		143B-25	09407-14407	315A-22
	407B-17		143C-23		322A-29
	407C-20		143C-25		326A-13
	407D-20		143D-23		502A-6
09360-12008	144A-26		143D-25		502A-18
	144C-26	09401-08413	162A-19	09407-18402	322A-27
09360-12013	144B-26		522A-8	09407-25402	162A-24
	144D-26	09401-11423	146A-17		410A-32
09360-14009	144A-27		146B-17		410B-32
	144C-27		146C-17		410C-31
09360-14014	144B-27		146D-17		410D-31
	144D-27	09401-11425	144A-29	09408-00008	123A-1
09362-09008	407A-18		144B-29		143A-29
	407B-18		144C-29		143B-29
	407C-21		144D-29		143C-29
	407D-21	09401-13423	430A-3		143D-29
09363-08004	144A-28	09401-13424	146A-18		322A-30
	144C-28		146B-18	09408-00012	322A-31
09364-06010	143A-27		146C-18	09408-00035	123A-35
	143B-27		146D-18	09408-00078	143A-30
	143C-27	09401-13425	162A-20		143B-30
	143D-27	09401-18410	111A-28		143C-30
09367-06002	162A-18	09401-22408	180A-7		143D-30
09367-06006	522A-7	09401-31407	162A-21	09408-00105	146A-19
09367-10001	430A-2	09403-05312	123A-31		146B-19
09380-17009	337A-32	09403-11314	164A-20		146C-19
09380-38003	336A-10	09403-11320	135A-20		146D-19
	336B-10		135B-20	09408-00198	146A-22
	336C-10		135C-20		146B-22
	336D-10		135D-20		146C-22
09381-40003	220A-31	09403-12412	326A-7		146D-22
	220B-31	09403-13408	143A-28	09408-00320	144A-38
	220C-31		143B-28		144B-38
	220D-31		143C-28		144C-38
09383-08004	204A-4		143D-28		144D-38
	204B-4		303A-10	09409-05302-5PK	410A-8
	204C-4		315A-19		410B-8
	204D-4	09403-18409	322A-26		410C-7

PART NO.	FIG.NO.-REF.NO.	PART NO.	FIG.NO.-REF.NO.	PART NO.	FIG.NO.-REF.NO.
	410D-7		420G-20		
09420-05009	160A-16		420H-20		
	160B-16				
	160C-16				
	160D-16				
09440-07051	204A-24				
	204B-24				
	204C-24				
	204D-24				
09440-09040	220A-23				
	220B-23				
	220C-20				
	220D-20				
09440-19028	336A-24				
	336B-24				
	336C-24				
	336D-24				
09440-52003	220A-22				
	220B-22				
	220C-19				
	220D-19				
09443-10043	336A-25				
	336B-25				
	336C-25				
	336D-25				
09471-12028	502A-4				
09471-12077	460A-4				
	502A-21				
	502A-23				
09471-12103	502A-9				
	502A-13				
	502A-15				
	502A-19				
09471-12108	460A-2				
	502A-2				
09481-05501	523A-2				
09481-10501	322A-16				
	508A-55				
09481-15501	322A-33				
09481-30401	322A-18				
09481-30501	322A-17				
09481-40401	522A-11				
09481-60401	322A-19				
09482-00649	111A-29				
09800-81840	420A-20				
	420B-20				
	420C-20				
	420D-20				
	420E-20				
	420F-20				

SUZUKI DF200A PARTS CATALOGUE

SUZUKI MOTOR CORPORATION All rights reserved

No part of this document may be reproduced or transmitted in any form or by any means, electronic or mechanical, for any purpose, without the express written permission of Suzuki Motor Corporation.

SUZUKI MOTOR CORPORATION

Technical Readiness Group, Quality Administration Department
300 Takatsuka, Minami, Hamamatsu, Japan

Reprint Prohibited

SUZUKI MOTOR CORPORATION