

SUZUKI

DT25/DT30

P40

SUZUKI

PARTS CATALOGUE

DT25/DT30

DT25K

DT30

DT30R



OUTBOARD MOTOR

2011-2

1ST EDITION

PREFACE

When it becomes necessary to replace parts on SUZUKI OUTBOARD MOTORS, always use SUZUKI GENUINE PARTS which have passed a strict inspection which guarantees quality and performance.

This parts catalogue covers the list of all service parts for SUZUKI DT25/30 production 2011.

INSTRUCTIONS FOR QUOTING THE CATALOGUE

1. DIMENSIONS

Dimensions of the parts in this catalogue are indicated in unit millimeters.

2. ABBREVIATIONS

Abbreviations used in this catalogue are as follows:

AR	: As required	NT	: Number of teeth
ASSY	: Assembly	OPT	: Optional
E. NO.	: Engine number	OS	: Over size
F. NO.	: Frame number	STD	: Standard
D	: Diameter of material	T	: Thickness
ID	: Inside diameter	US	: Under size
OD	: Outside diameter	W	: Width
L	: Length	W/	: With
LH(PORT)	: Left hand side	S, L	: Transom type
RH(STBD)	: Right hand side	SUS	: Stainless steel
~123456	: Up to E. NO. 03005-123456		
123456~	: From E. NO. 03005-123456		
<u>12</u> x <u>34</u> x <u>5.6</u>	Figures in the description column		
	show the dimensions of parts.		
ID OD T(or W, L)			

→12345-56781 (Parts No.) : indicates that the parts number was changed to 12345-56781 and the new parts are interchangeable with the former ones but the former ones are not interchangeable with new ones.

←12345-56781 (Parts No.) : indicates that the former and new parts are interchangeable with each other and both are usable.

3. INNER PARTS OF ASSEMBLY

Part name with a dot (.) in front as shown in the description column indicates the component of the assembly also available individually.

4. MODIFICATION NOTICE

A parts bulletin will be sent to you on all occasions when changes in parts occur, including interchangeable modifications between new parts and old ones.

5. NOTE

5-1. There are some different parts from those of production models among spare parts for the administrative reasons and common use of them with other models.

5-2. In respect of rubber hoses and vinyl tubes, please be sure to use them by cutting off according to the length mentioned on parts catalogue or what is actually required on the vehicle.

5-3. Note that the drawings on the illustration page are for ready reference of spare parts number, not to be used as an assembly manual.
When assembling, use "SUZUKI SERVICE MANUAL".

6. SPECIFICATION CODE

This catalogue contains the parts for the model designed for the following spec. ;

spec. code : DT25K : P36
 DT30 : P40
 DT30R : P40

7. MODEL NAME AND ENGINE NUMBER

<u>MODEL</u>	<u>DESTINATION</u>	<u>TYPE</u>	<u>TRANSOM</u>	<u>ENGINE No.</u>
DT25K	P36	02503K	L	02503K-210001~
DT30	P40	03005	S, L	03005-210001~
DT30R	P40	03005	S, L	03005-210001~

MILLIMETER → INCH CONVERSION CHART

	0	1	2	3	4	5	6	7	8	9
00	.000	.039	.079	.118	.157	.197	.236	.276	.315	.354
10	.394	.433	.472	.512	.551	.591	.630	.669	.709	.748
20	.787	.827	.866	.906	.945	.984	1.024	1.063	1.102	1.142
30	1.181	1.220	1.260	1.299	1.339	1.378	1.417	1.457	1.496	1.535
40	1.575	1.614	1.654	1.693	1.732	1.772	1.811	1.850	1.890	1.929
50	1.969	2.008	2.047	2.087	2.126	2.165	2.205	2.214	2.283	2.323
60	2.362	2.402	2.441	2.480	2.520	2.559	2.598	2.638	2.677	2.717
70	2.756	2.795	2.835	2.874	2.913	2.953	2.992	3.031	3.071	3.110
80	3.150	3.189	3.228	3.268	3.307	3.346	3.386	3.425	3.465	3.504
90	3.543	3.583	3.622	3.661	3.701	3.740	3.780	3.819	3.858	3.898

How to read

	0	1	2	3	4
00
10
20	0.906	...
30

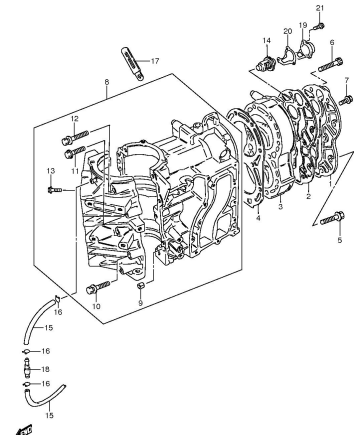
23 millimeters equal 0.906 inch

Contents are subject to change without notice or obligation.

FIG. NO.	T I T L E	ADDRESS NO.
1	CYLINDER (DT25K P36)	1-B-02
2	CYLINDER (DT30 P40)	1-B-03
3	CYLINDER (DT30R P40)	1-B-04
4	CRANKSHAFT (DT25K P36)	1-B-05
5	CRANKSHAFT (DT30 P40)	1-B-06
6	CRANKSHAFT (DT30R P40)	1-B-07
7	INLET CASE (DT25K P36)	1-B-08
8	INLET CASE (DT30 P40)	1-B-09
9	INLET CASE (DT30R P40)	1-B-10
10	CARBURETOR (DT25K P36)	1-B-11
		1-B-12
11	CARBURETOR (DT30 P40)	1-B-13
12	CARBURETOR (DT30R P40)	1-B-14
13	OIL SEAL HOUSING (DT25K P36)	1-B-15
14	OIL SEAL HOUSING (DT30 P40)	1-C-02
15	OIL SEAL HOUSING (DT30R P40)	1-C-03
16	EXHAUST TUBE (DT25K P36)	1-C-04
17	EXHAUST TUBE (DT30 P40)	1-C-05
18	EXHAUST TUBE (DT30R P40)	1-C-06
19	FUEL PUMP (DT25K P36)	1-C-07
20	FUEL PUMP (DT30 P40)	1-C-08
21	FUEL PUMP (DT30R P40)	1-C-09
22	WATER PUMP (DT25K P36)	1-C-10
23	WATER PUMP (DT30 P40)	1-C-11
24	WATER PUMP (DT30R P40)	1-C-12
25	RECOIL STARTER (DT25K P36)	1-C-13
26	RECOIL STARTER (DT30 P40)	1-C-14
27	RECOIL STARTER (DT30R P40)	1-C-15
28	THROTTLE CONTROL (DT25K P36)	1-D-02
29	THROTTLE CONTROL (DT30 P40)	1-D-03
30	THROTTLE CONTROL (DT30R P40)	1-D-04
31	CLUTCH (DT25K P36)	1-D-05
		1-D-06
32	CLUTCH (DT30 P40)	1-D-07
		1-D-08
33	CLUTCH (DT30R P40)	1-D-09
34	TRANSMISSION (DT25K P36)	1-D-10
		1-D-11
35	TRANSMISSION (DT30 P40)	1-D-12
		1-D-13
36	TRANSMISSION (DT30R P40)	1-D-14
		1-D-15
37	STARTING MOTOR (DT30 P40)	1-E-02
38	STARTING MOTOR (DT30R P40)	1-E-03
39	MAGNETO (DT25K P36)	1-E-04
40	MAGNETO (DT30 P40)	1-E-05
41	MAGNETO (DT30R P40)	1-E-06
42	IGNITION (DT25K P36)	1-E-07
43	IGNITION (DT30 P40)	1-E-08
44	IGNITION (DT30R P40)	1-E-09
45	HARNESS (DT25K P36)	1-E-10
46	HARNESS (DT30 P40)	1-E-11
47	HARNESS (DT30R P40)	1-E-12
48	SWITCH (DT25K P36)	1-E-13
49	SWITCH (DT30 P40)	1-E-14
50	SWITCH (DT30R P40)	1-E-15
51	CLAMP BRACKET	1-F-02
		1-F-03
52	SWIVEL BRACKET (DT25K P36)	1-F-04
		1-F-05
53	SWIVEL BRACKET (DT30 P40)	1-F-06
		1-F-07
54	SWIVEL BRACKET (DT30R P40)	1-F-08
		1-F-09
55	DRIVE SHAFT HOUSING (DT25K P36)	1-F-10
		1-F-11
56	DRIVE SHAFT HOUSING (DT30 P40)	1-F-12

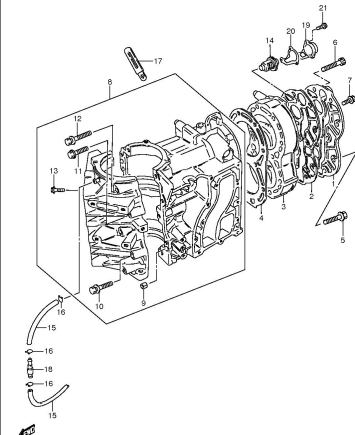
FIG. NO.	T I T L E	ADDRESS NO.
57	DRIVE SHAFT HOUSING (DT30R P40)	1-F-13 1-F-14
58	GEAR CASE	1-F-15 1-G-02
59	UNDER COVER (DT25K P36)	1-G-03
60	UNDER COVER (DT30 P40)	1-G-04 1-G-05
61	UNDER COVER (DT30R P40)	1-G-06
62	ENGINE COVER (DT25K P36)	1-G-07
63	ENGINE COVER (DT30 P40)	1-G-08
64	ENGINE COVER (DT30R P40)	1-G-09
65	HANDLE (DT25K P36)	1-G-10
66	HANDLE (DT30 P40)	1-G-11
67	FUEL TANK (RESIN, 12L) (DT25K P36)	1-G-12
68	FUEL TANK (RESIN, 25L) (DT25K P36)	1-G-13
69	FUEL TANK (RESIN, 25L) (DT30 P40)	1-G-14
70	FUEL TANK (RESIN, 25L) (DT30R P40)	1-G-15
71	REMOCON PARTS (DT30R P40)	1-H-02
72	REMOTE CONTROL (DT30R P40)	1-H-03 1-H-04 1-H-05
73	DRAG LINK (DT30R P40)	1-H-06
74	OPT:ELECTRICAL (MANUAL STARTER) (DT25K P36)	1-H-07
75	OPT:ELECTRICAL (MANUAL STARTER) (DT30 P40)	1-H-08
76	OPT:ELECTRICAL (ELECTRIC STARTER) (DT30 P40)	1-H-09
77	OPT:ELECTRICAL (ELECTRIC STARTER) (DT30R P40)	1-H-10
78	OPT:REGULATOR (DT25K P36)	1-H-11
79	OPT:REGULATOR (DT30 P40)	1-H-12
80	OPT:REGULATOR (DT30R P40)	1-H-13
81	OPT:METER (DT30 P40)	1-H-14
82	OPT:METER (DT30R P40)	1-H-15
83	OPT:SWITCH PANEL (DT30 P40)	1-I-02
84	OPT:SWITCH PANEL (DT30R P40)	1-I-03
85	OPT:REMOCON PARTS	1-I-04
86	OPT:REMOTE CONTROL	1-I-05 1-I-06 1-I-07
87	OPT:DRAG LINK	1-I-08

FIG.1



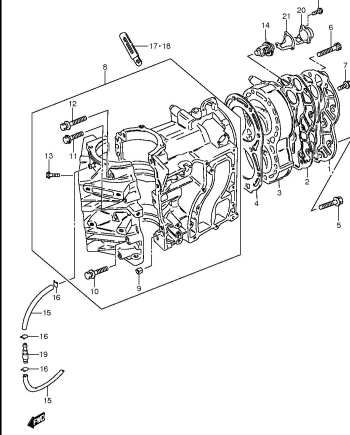
DT25-30 P40 012_001
CYLINDER

FIG.2



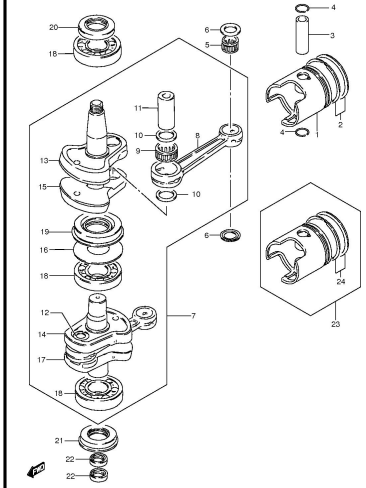
DT25-30 P40 012_002
CYLINDER

FIG.3



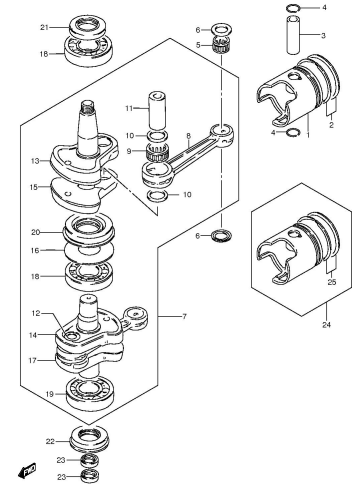
DT25-30 P40 012_003
CYLINDER

FIG.4



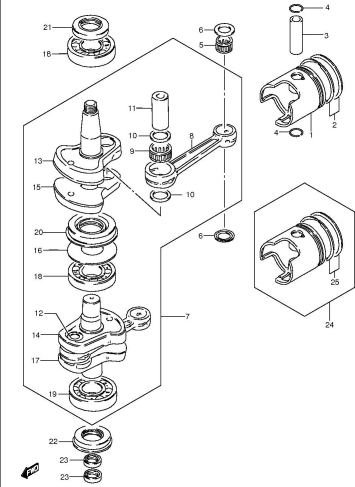
DT25-30 P40 012_004
CRANKSHAFT

FIG.5



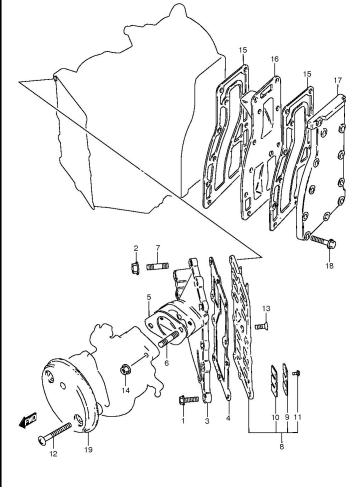
DT25-30 P40 012_005
CRANKSHAFT

FIG.6



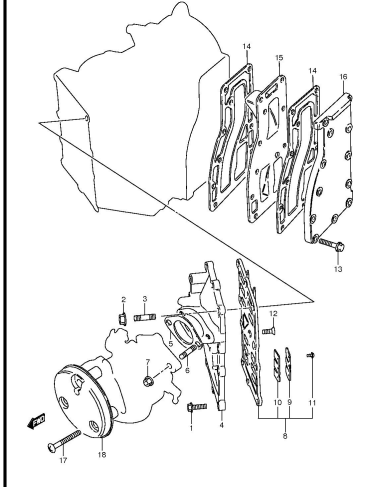
DT25-30 P40 012_006
CRANKSHAFT

FIG.7



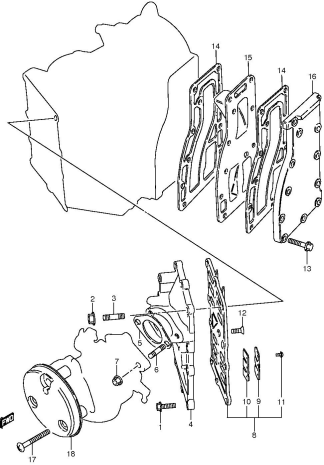
DT25-30 P40 012_007
INLET CASE

FIG.8



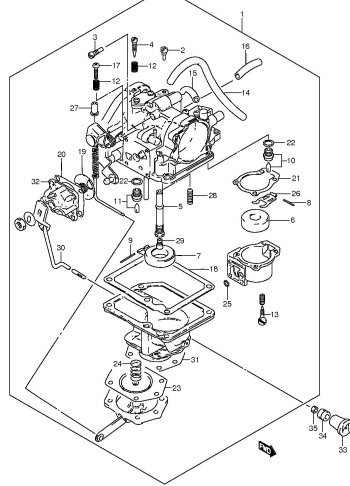
DT25-30 P40 012_008
INLET CASE

FIG.9



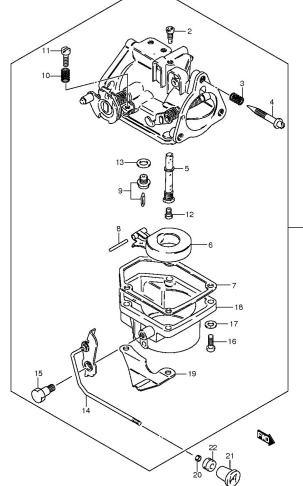
DT25-30 P40 012_009
INLET CASE

FIG.10



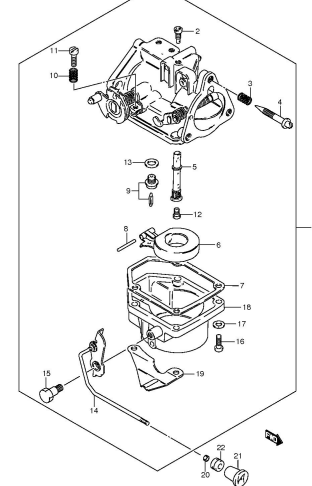
DT25-30 P40 012_010
CARBURETOR

FIG.11



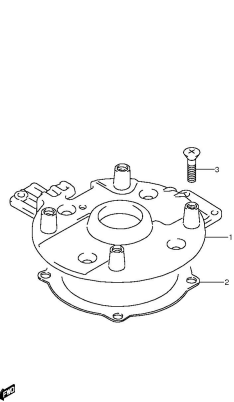
DT25-30 P40 012_011
CARBURETOR

FIG.12



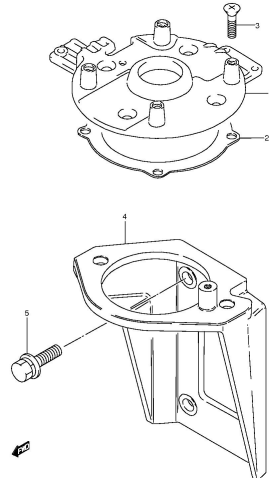
DT25-30 P40 012_012
CARBURETOR

FIG.13



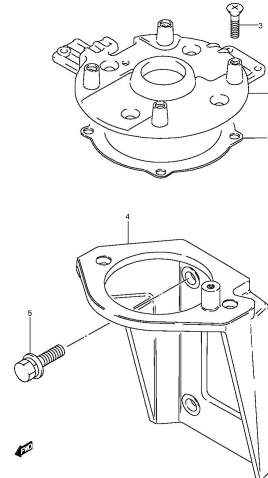
DT25-30 P40 012_013
OIL SEAL HOUSING

FIG.14



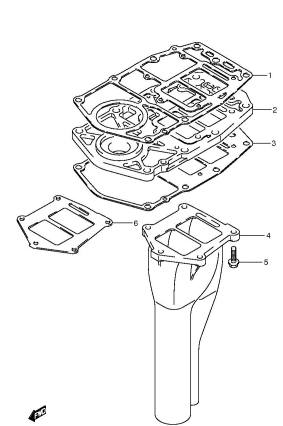
DT25-30 P40 012_014
OIL SEAL HOUSING

FIG.15



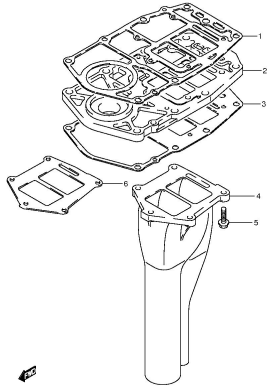
DT25-30 P40 012_015
OIL SEAL HOUSING

FIG.16



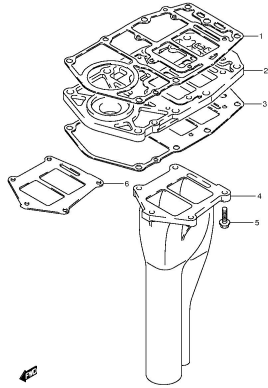
DT25-30 P40 012_016
EXHAUST TUBE

FIG.17



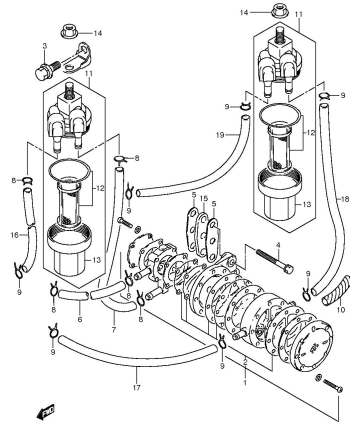
DT25-30 P40 012_017
EXHAUST TUBE

FIG.18



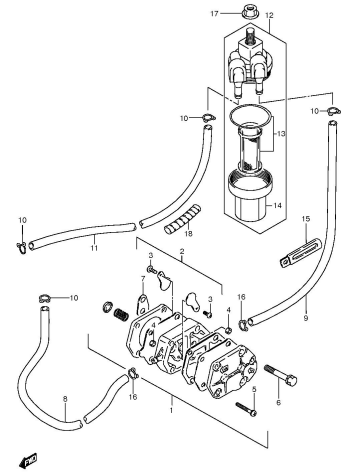
DT25-30 P40 012_018
EXHAUST TUBE

FIG.19



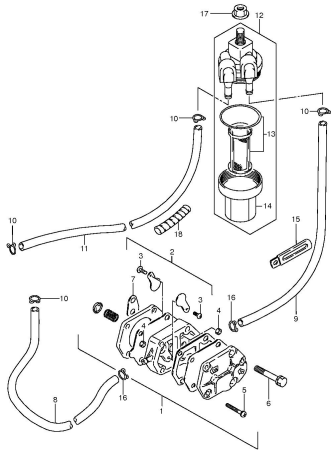
DT25-30 P40 012_019
FUEL PUMP

FIG.20



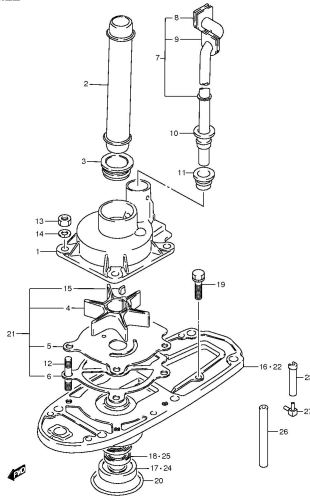
DT25-30 P40 012_020
FUEL PUMP

FIG.21



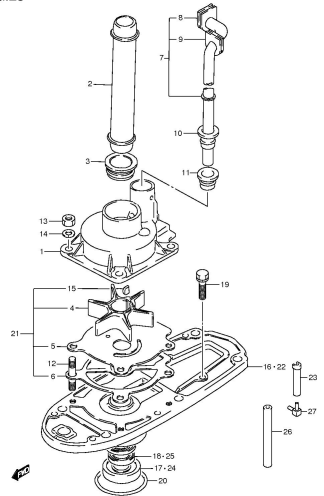
DT25-30 P40 012_021
FUEL PUMP

FIG.22



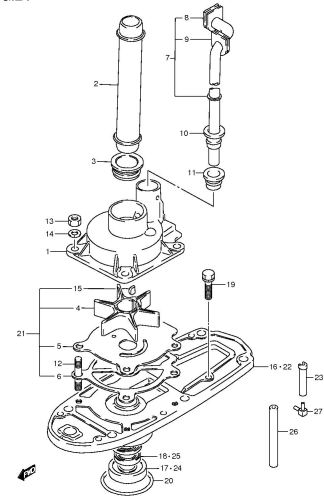
DT25-30 P40 012_022
WATER PUMP

FIG.23



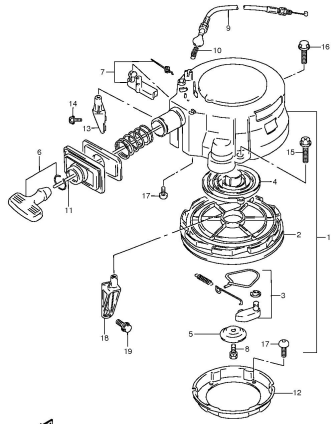
DT25-30 P40 012_023
WATER PUMP

FIG.24



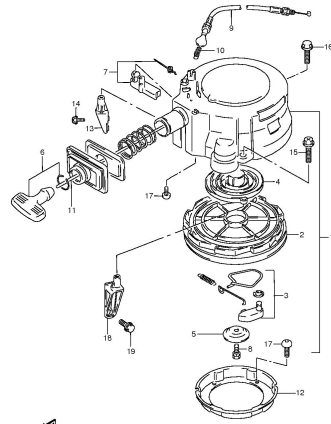
DT25-30 P40 012_024
WATER PUMP

FIG.25



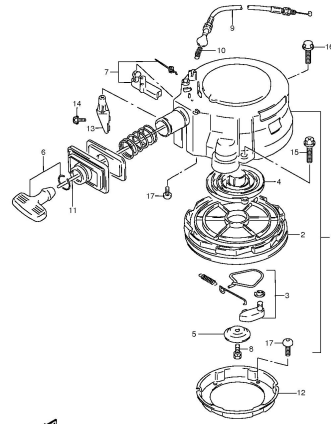
DT25-30 P40 012_025
RECOIL STARTER

FIG.26



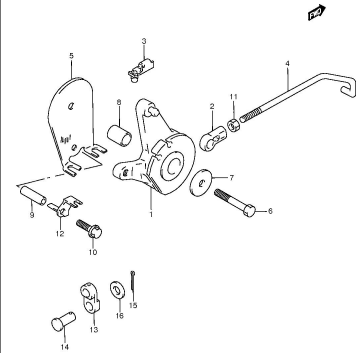
DT25-30 P40 012_026
RECOIL STARTER

FIG.27



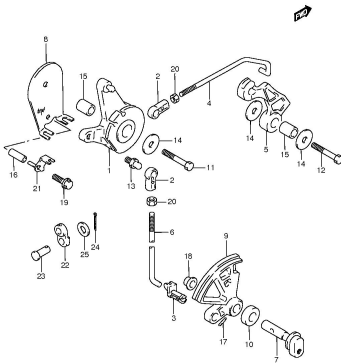
DT25-30 P40 012_027
RECOIL STARTER

FIG.28



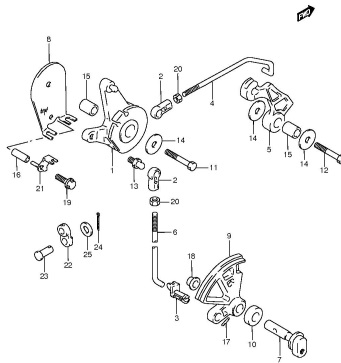
DT25-30 P40 012_028
THROTTLE CONTROL

FIG.29



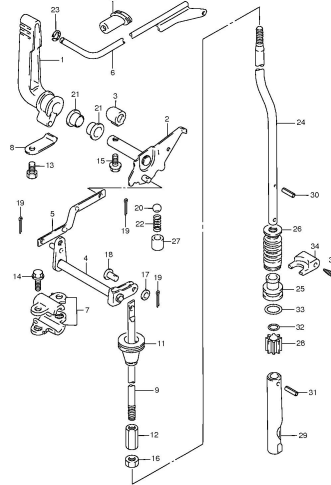
DT25-30 P40 012_029
THROTTLE CONTROL

FIG.30



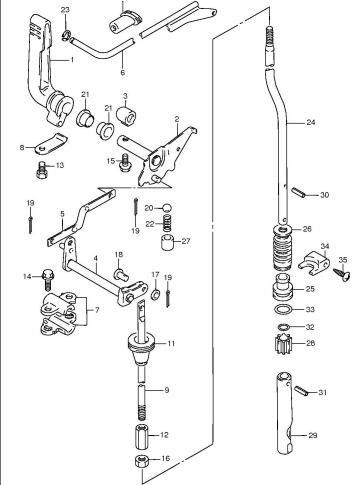
DT25-30 P40 012_030
THROTTLE CONTROL

FIG.31



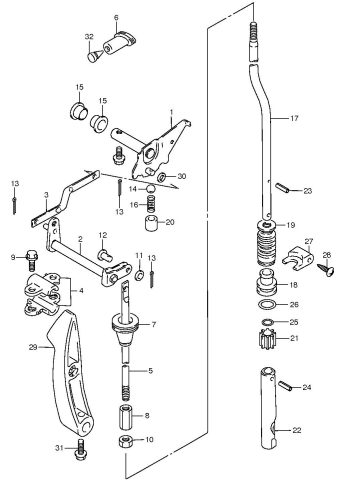
DT25-30 P40 012_031
CLUTCH

FIG.32



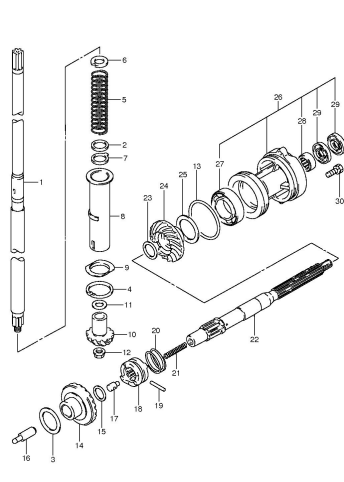
DT25-30 P40 012_032
CLUTCH

FIG.33



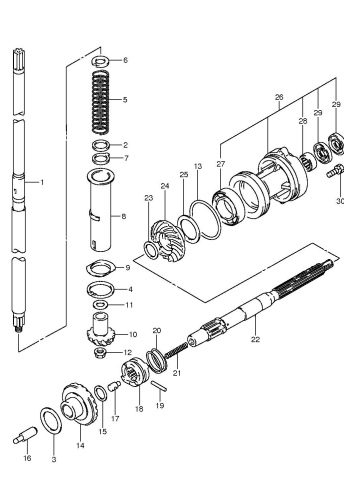
DT25 30 P40 012_033
CLUTCH

FIG.34



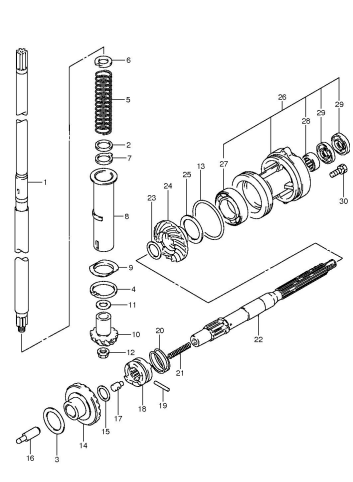
DT25 30 P40 012_034
TRANSMISSION

FIG.35



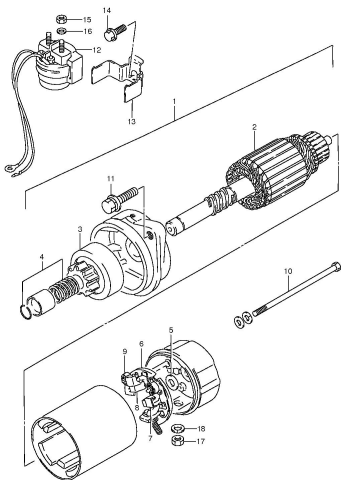
DT25 30 P40 012_035
TRANSMISSION

FIG.36



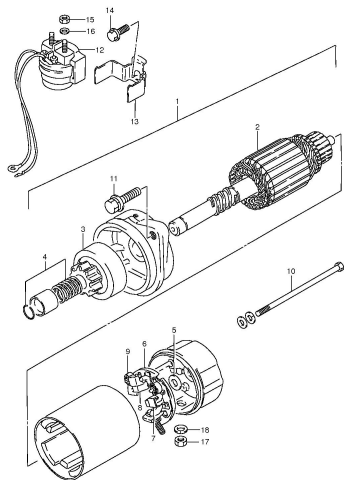
DT25 30 P40 012_036
TRANSMISSION

FIG.37



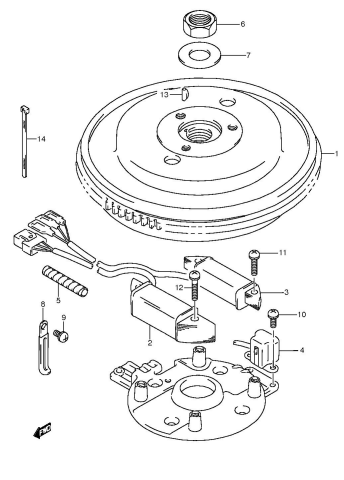
DT25 30 P40 012_037
STARTING MOTOR

FIG.38



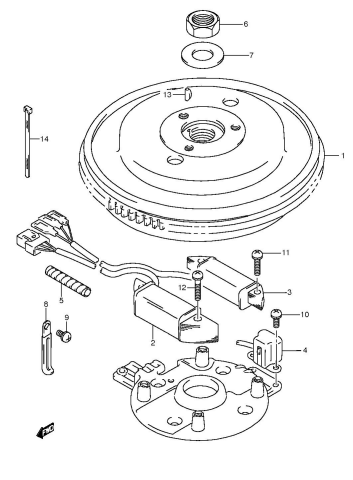
DT25 30 P40 012_038
STARTING MOTOR

FIG.39



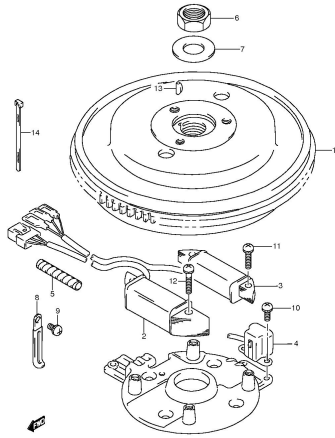
DT25 30 P40 012_039
MAGNETO

FIG.40



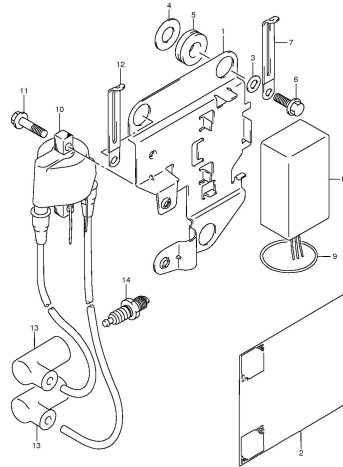
DT25 30 P40 012_040
MAGNETO

FIG.41



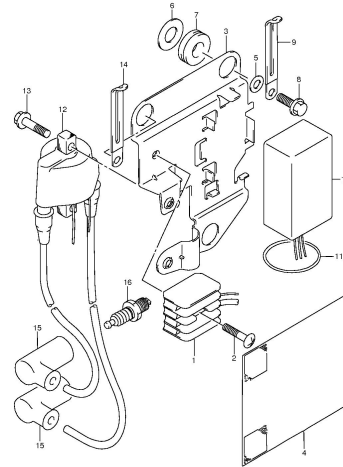
DT25-30 P40 012_041
MAGNETO

FIG.42



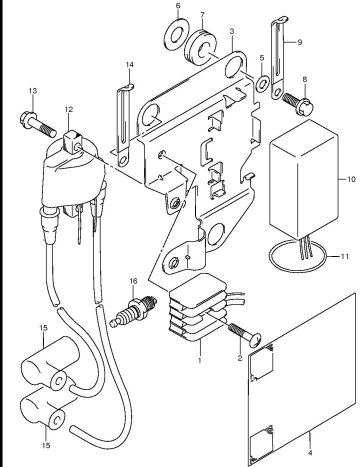
DT25-30 P40 012_042
IGNITION

FIG.43



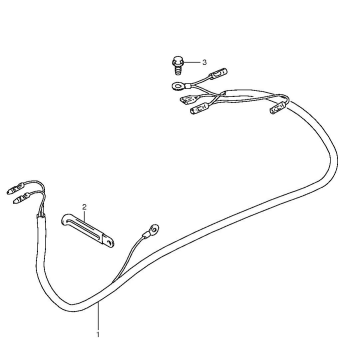
DT25-30 P40 012_043
IGNITION

FIG.44



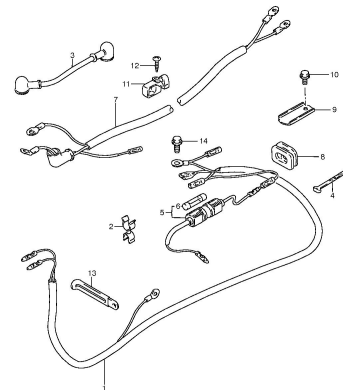
DT25-30 P40 012_044
IGNITION

FIG.45



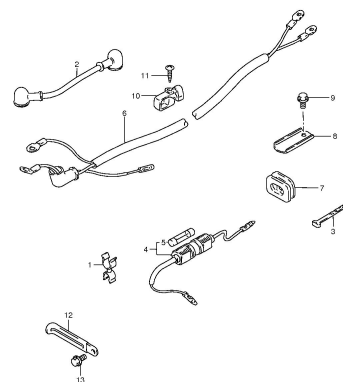
DT25-30 P40 012_045
HARNESS

FIG.46



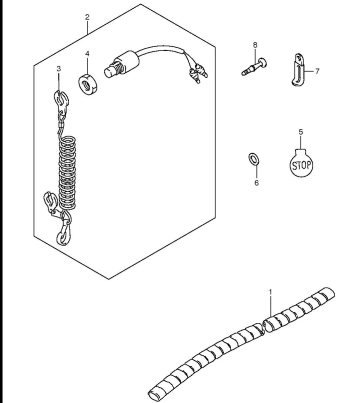
DT25-30 P40 012_046
HARNESS

FIG.47



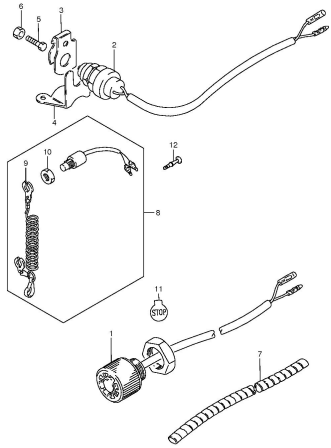
DT25-30 P40 012_047
HARNESS

FIG.48



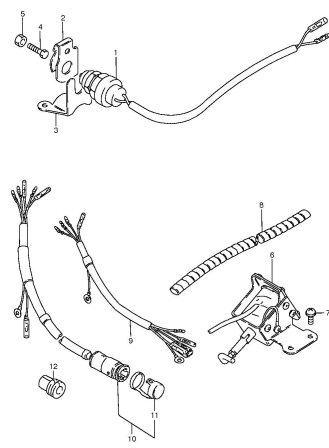
DT25-30 P40 012_048
SWITCH

FIG.49



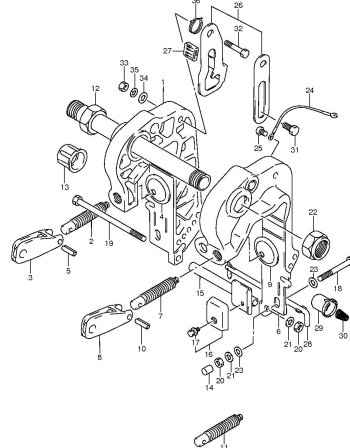
DT25-30 P40 012_049
SWITCH

FIG.50



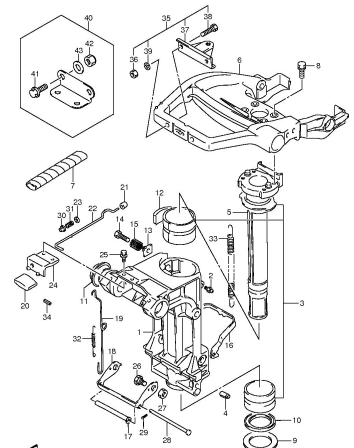
DT25-30 P40 012_050
SWITCH

FIG.51



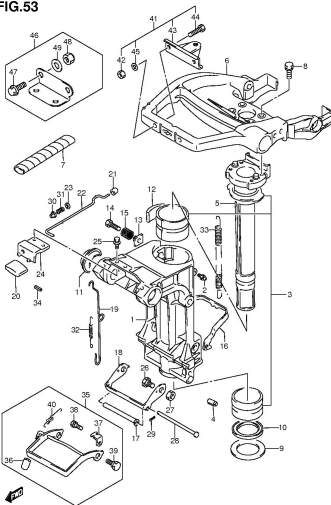
DT25-30 P40 012_051
CLAMP BRACKET

FIG.52



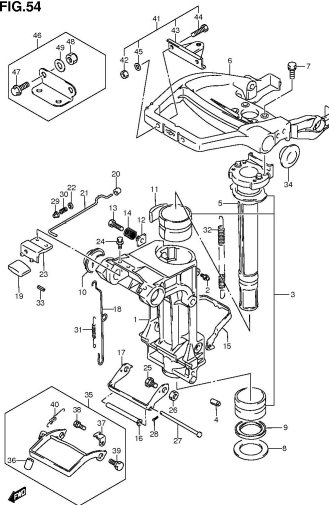
DT25-30 P40 012_052
SWIVEL BRACKET

FIG.53



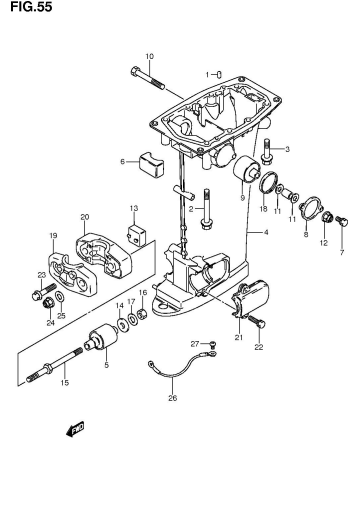
DT25-30 P40 012_053
SWIVEL BRACKET

FIG.54



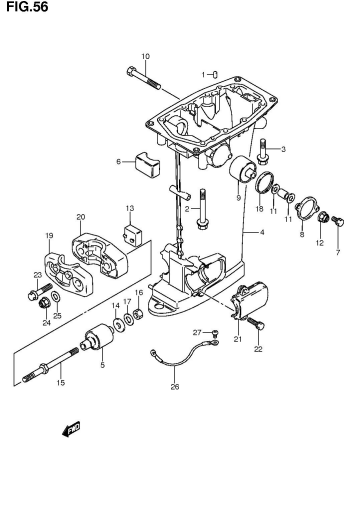
DT25-30 P40 012_054
SWIVEL BRACKET

FIG.55



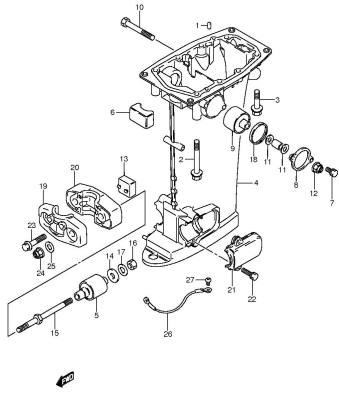
DT25-30 P40 012_055
DRIVE SHAFT HOUSING

FIG.56



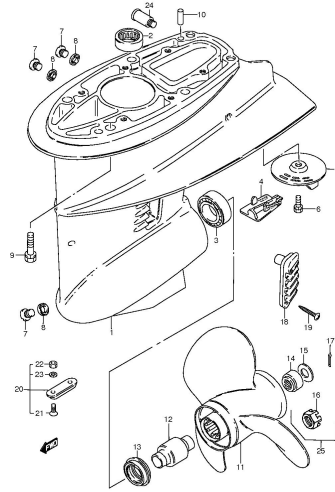
DT25-30 P40 012_056
DRIVE SHAFT HOUSING

FIG.57



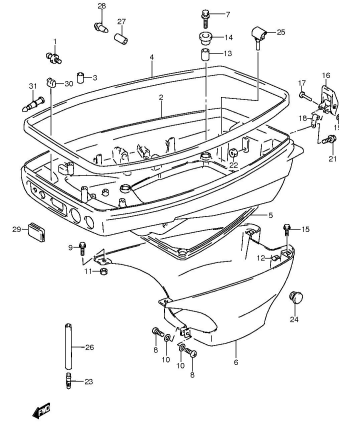
DT25-30 P40 012_057
DRIVE SHAFT HOUSING

FIG.58



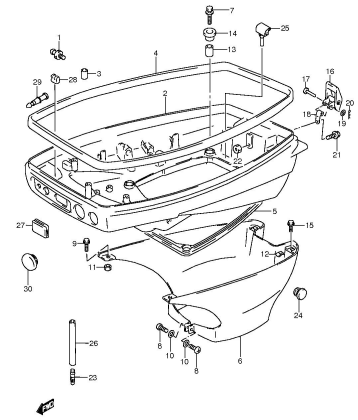
DT25-30 P40 012_058
GEAR CASE

FIG.59



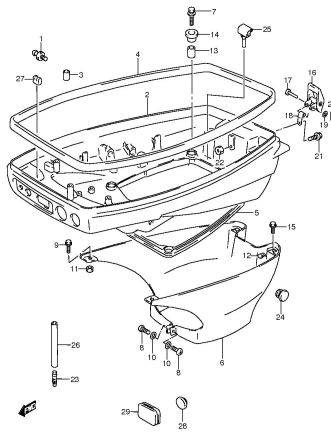
DT25-30 P40 012_059
UNDER COVER

FIG.60



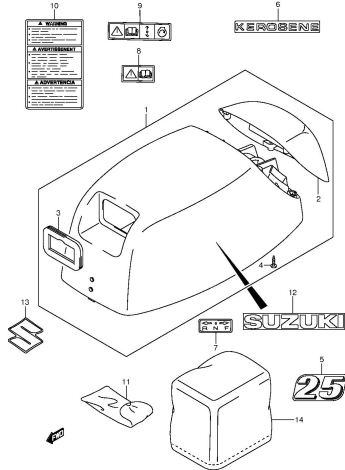
DT25-30 P40 012_060
UNDER COVER

FIG.61



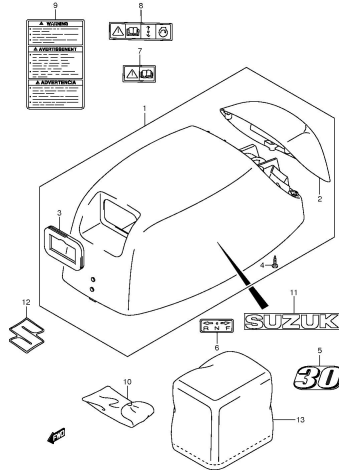
DT25-30 P40 012_061
UNDER COVER

FIG.62



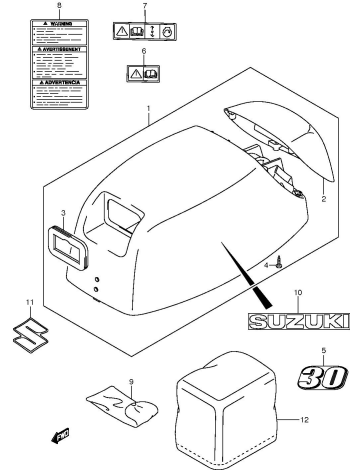
DT25-30 P40 012_062
ENGINE COVER

FIG.63



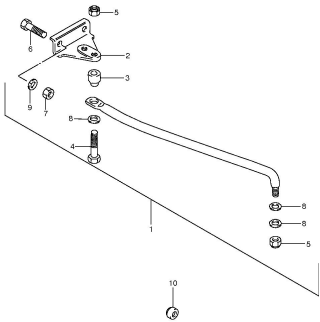
DT25-30 P40 012_063
ENGINE COVER

FIG.64



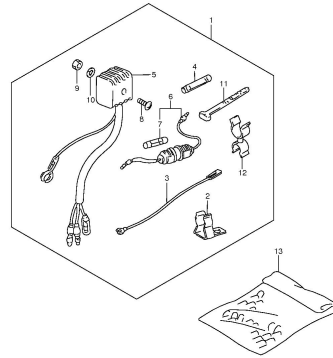
DT25-30 P40 012_064
ENGINE COVER

FIG.73



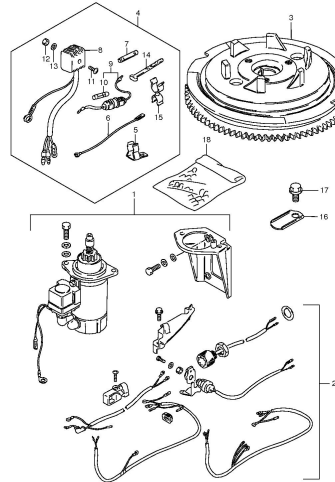
DT25-30 P40 012_073
DRAG LINK

FIG.74



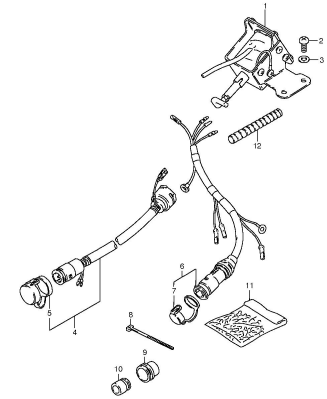
DT25-30 P40 012_074
OPT/ELECTRICAL (MANUAL STARTER)

FIG.75



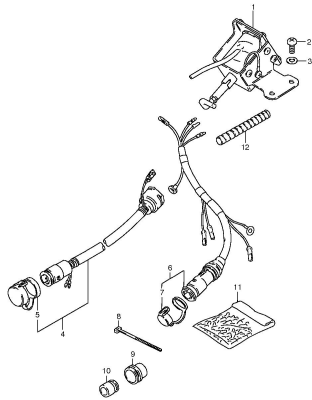
DT25-30 P40 012_075
OPT/ELECTRICAL (MANUAL STARTER)

FIG.76



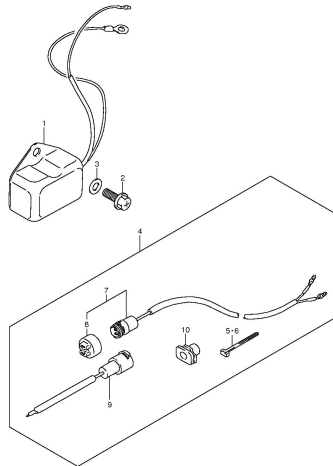
DT25-30 P40 012_076
OPT/ELECTRICAL (ELECTRIC STARTER)

FIG.77



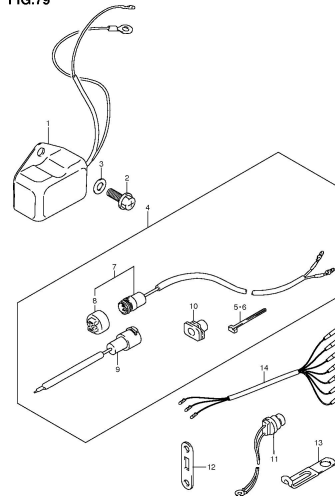
DT25-30 P40 012_077
OPT/ELECTRICAL (ELECTRIC STARTER)

FIG.78



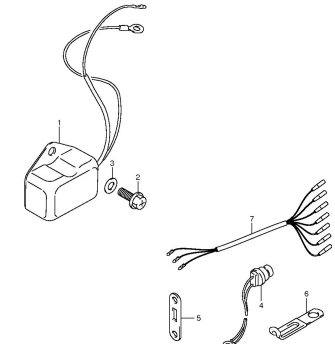
DT25-30 P40 012_078
OPT/REGULATOR

FIG.79



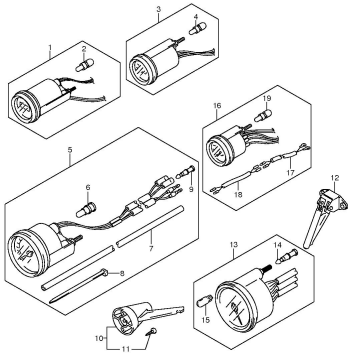
DT25-30 P40 012_079
OPT/REGULATOR

FIG.80



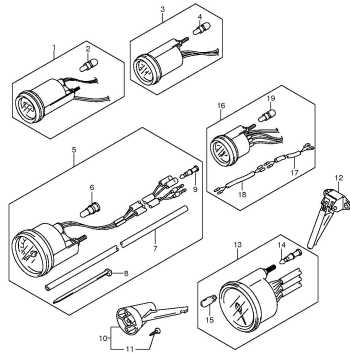
DT25-30 P40 012_080
OPT/REGULATOR

FIG.81



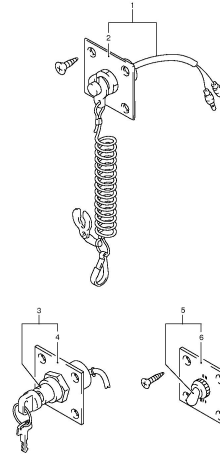
DT25-30 P40 012_081
OPT.METER

FIG.82



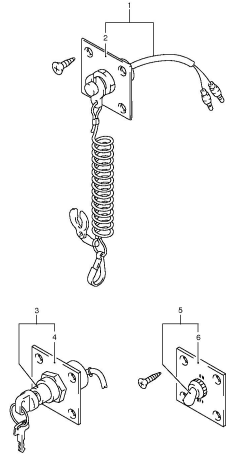
DT25-30 P40 012_082
OPT.METER

FIG.83



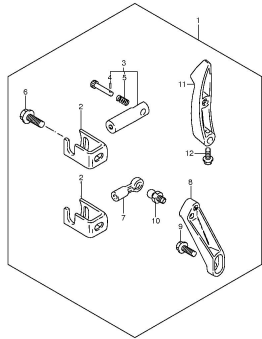
DT25-30 P40 012_083
OPT.SWITCH PANEL

FIG.84



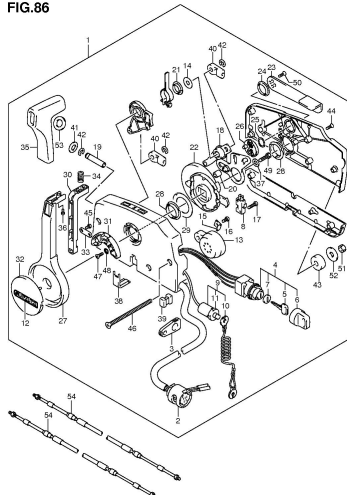
DT25-30 P40 012_084
OPT.SWITCH PANEL

FIG.85



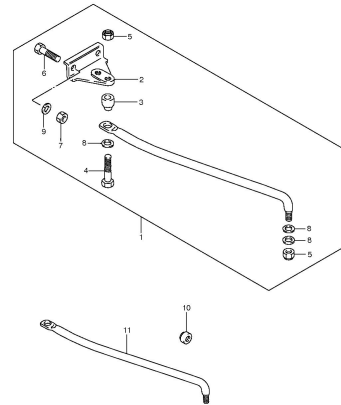
DT25-30 P40 012_085
OPT.REMOCN PARTS

FIG.86



DT25-30 P40 012_086
OPT.REMOTE CONTROL

FIG.87



DT25-30 P40 012_087
OPT.DRAG LINK

FIG.1

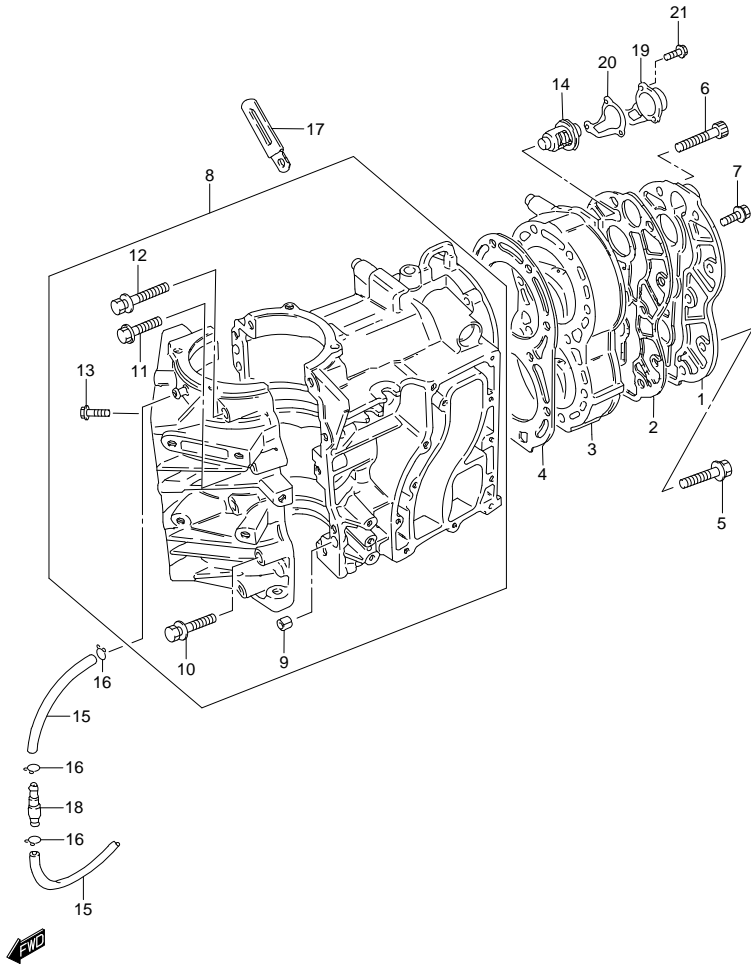


FIG.1 (1-B-2) CYLINDER (DT25K P36)

REF NO.	PART NO.	DESCRIPTION	QTY	REMARKS
1	11161-91L00	COVER, CYLINDER HEAD	1	
2	11162-96310	GASKET, CYLINDER HEAD COVER	1	
3	11111-91L10	CYLINDER HEAD	1	
4	11141-96344	GASKET, CYLINDER HEAD	1	
5	01560-08657	BOLT	8	
6	07130-08657	BOLT	2	
7	01580-06257	BOLT	2	
8	11300-91L00	CYLINDER ASSY	1	
9	04211-09109	·PIN	2	
10	01560-08557	·BOLT	4	
11	01560-08457	·BOLT	2	
12	01560-08607	·BOLT	2	
13	02162-06257	·BOLT	4	
14	17670-94402	THERMOSTAT (60°C)	1	
15	09343-03510	HOSE (3.1X6.8X180)	2	L:180
16	09401-06406	CLIP	4	
17	29404-93J10	CLAMP (L:65)	1	
18	16710-95211	CHECK VALVE	1	
19	17681-91L00	COVER, THERMOSTAT	1	
20	17685-96300	GASKET, THERMOSTAT	1	
21	09103-06125	BOLT (6X16)	3	

FIG.2

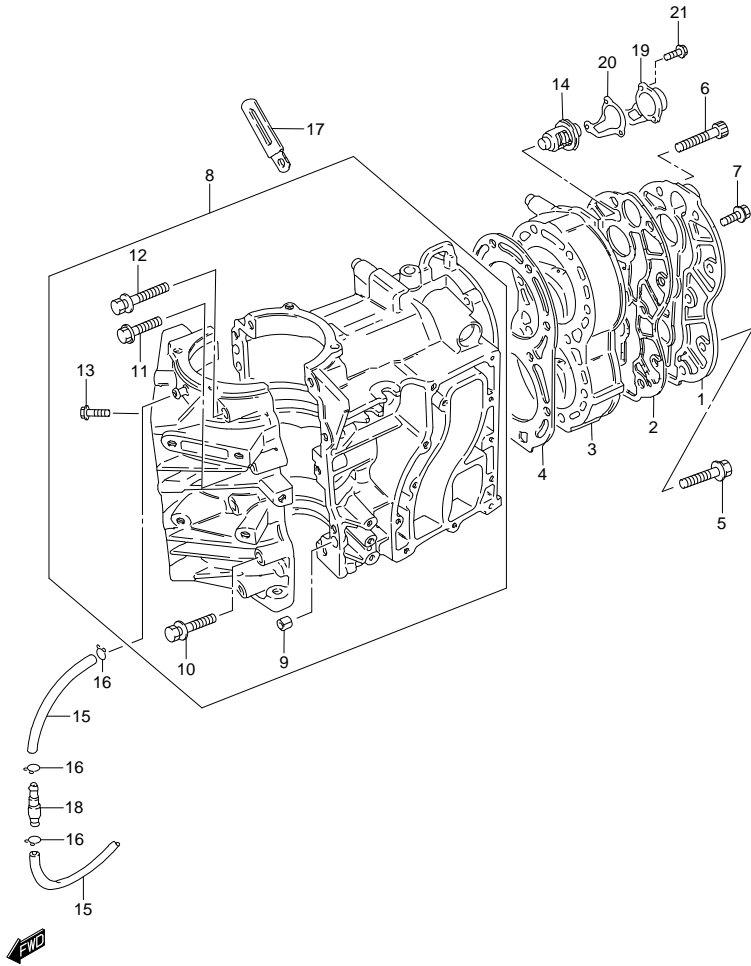


FIG.2 (1-B-3) CYLINDER (DT30 P40)

REF NO.	PART NO.	DESCRIPTION	QTY	REMARKS
1	11161-91L00	COVER, CYLINDER HEAD	1	
2	11162-96310	GASKET, CYLINDER HEAD COVER	1	
3	11111-91L00	CYLINDER HEAD	1	
4	11141-96344	GASKET, CYLINDER HEAD	1	
5	01560-08657	BOLT	8	
6	07130-08657	BOLT	2	
7	01580-06257	BOLT	2	
8	11300-91L00	CYLINDER ASSY	1	
9	04211-09109	·PIN	2	
10	01560-08557	·BOLT	4	
11	01560-08457	·BOLT	2	
12	01560-08607	·BOLT	2	
13	02162-06257	·BOLT	4	
14	17670-93962	THERMOSTAT (50°C)	1	
15	09343-03510	HOSE (3.1X6.8X180)	2	L:180
16	09401-06406	CLIP	4	
17	29404-93J10	CLAMP (L:65)	1	
18	16710-95211	CHECK VALVE	1	
19	17681-91L00	COVER, THERMOSTAT	1	
20	17685-96300	GASKET, THERMOSTAT	1	
21	09103-06125	BOLT (6X16)	3	

FIG.3

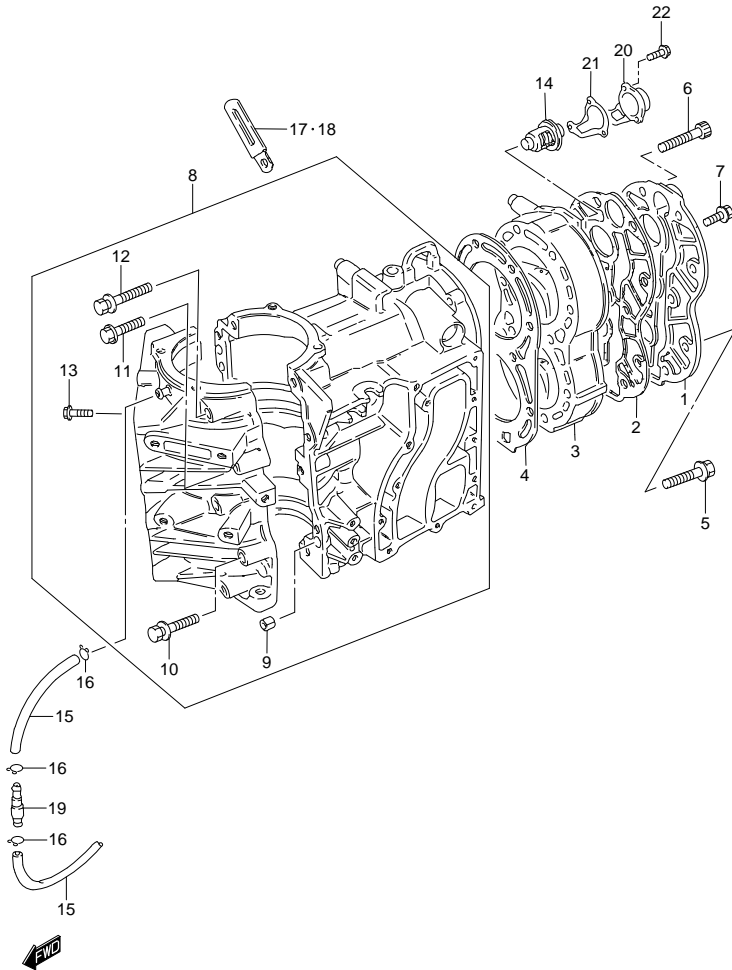


FIG.3 (1-B-4) CYLINDER (DT30R P40)

REF NO.	PART NO.	DESCRIPTION	Q'TY	REMARKS
1	11161-91L00	COVER, CYLINDER HEAD	1	
2	11162-96310	GASKET, CYLINDER HEAD COVER	1	
3	11111-91L00	CYLINDER HEAD	1	
4	11141-96344	GASKET, CYLINDER HEAD	1	
5	01560-08657	BOLT	8	
6	07130-08657	BOLT	2	
7	01580-06257	BOLT	2	
8	11300-91L00	CYLINDER ASSY	1	
9	04211-09109	·PIN	2	
10	01560-08557	·BOLT	4	
11	01560-08457	·BOLT	2	
12	01560-08607	·BOLT	2	
13	02162-06257	·BOLT	4	
14	17670-93962	THERMOSTAT (50°C)	1	
15	09343-03510	HOSE (3.1X6.8X180)	2	L:180
16	09401-06406	CLIP	4	
17	29404-93J10	CLAMP (L:65)	1	
18	09404-06435	CLAMP (L:135)	1	
19	16710-95211	CHECK VALVE	1	
20	17681-91L00	COVER, THERMOSTAT	1	
21	17685-96300	GASKET, THERMOSTAT	1	
22	09103-06125	BOLT (6X16)	3	

FIG.4

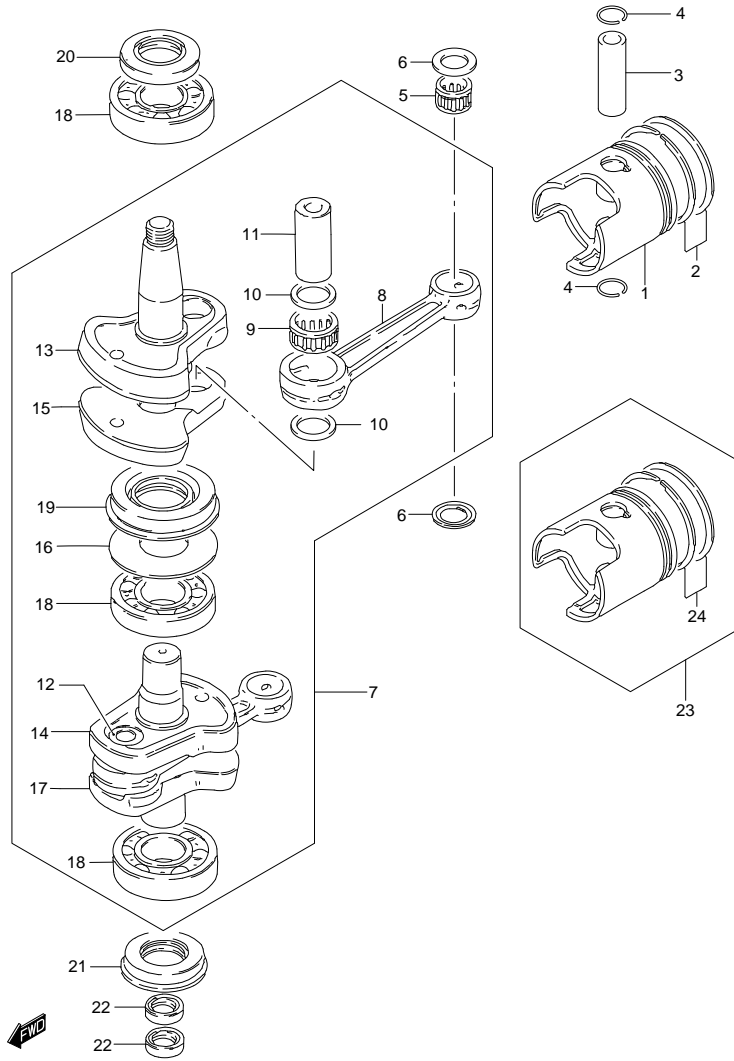


FIG.4 (1-B-5) CRANKSHAFT (DT25K P36)

REF NO.	PART NO.	DESCRIPTION	Q' TY	REMARKS
1	12110-91L00-0B0	PISTON	2	
2	12140-96361	RING SET, PISTON	2	
3	12151-92502	PIN, PISTON	2	
4	09381-18002	CIRCLIP	4	
5	09263-18016	BEARING (18X23X22)	2	
6	09169-18001	WASHER	4	
7	12200-91L10	CRANKSHAFT ASSY (KEROSENE)	1	
8	12161-96300	·ROD, CONNECTING	2	
9	09263-24018	·BEARING (24X32X20)	2	
10	09181-24001	·SHIM (24X31.5X1)	4	
11	12211-96311	·PIN, CRANK UPPER	1	
12	12211-96311	·PIN, CRANK LOWER	1	
13	12221-96307	·CRANKSHAFT, UPPER	1	
14	12232-96306	·WHEEL, MIDDLE UNDER	1	
15	12231-96304	·WHEEL, MIDDLE UPPER	1	
16	09160-50002	·WASHER (50X77X1)	1	
17	12240-96306	·CRANKSHAFT, UNDER	1	
18	09262-30055	·BEARING (30X72X19)	3	
19	09289-38013	·OIL SEAL (38X72X12)	1	
20	09283-30064	OIL SEAL (30X55X10)	1	
21	09283-30062	OIL SEAL (30X55X8)	1	
22	09282-15008	OIL SEAL (14.7X25X6.5)	2	
23	12100-91L00-050	PISTON/RING SET (OS:0.50)	2	OPT
24	12140-96351-050	·RING SET, PISTON (OS:0.50)	2	OPT

FIG.5

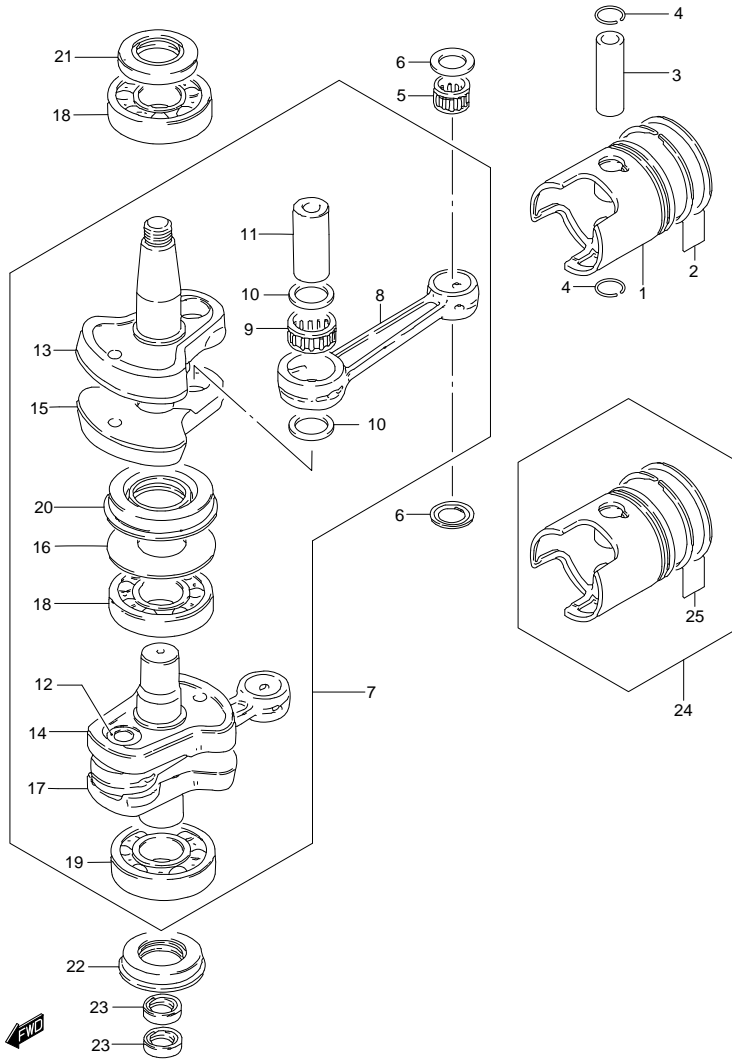


FIG.5 (1-B-6) CRANKSHAFT (DT30 P40)

REF NO.	PART NO.	DESCRIPTION	Q' TY	REMARKS
1	12110-91L00-0B0	PISTON	2	
2	12140-96361	RING SET, PISTON	2	
3	12151-92502	PIN, PISTON	2	
4	09381-18002	CIRCLIP	4	
5	09263-18016	BEARING (18X23X22)	2	
6	09169-18001	WASHER	4	
7	12200-91L00	CRANKSHAFT ASSY	1	
8	12161-96300	·ROD, CONNECTING	2	
9	09263-24018	·BEARING (24X32X20)	2	
10	09181-24001	·SHIM (24X31.5X1)	4	
11	12211-96311	·PIN, CRANK UPPER	1	
12	12211-96311	·PIN, CRANK LOWER	1	
13	12221-96307	·CRANKSHAFT, UPPER	1	
14	12232-96306	·WHEEL, MIDDLE UNDER	1	
15	12231-96304	·WHEEL, MIDDLE UPPER	1	
16	09160-50002	·WASHER (50X77X1)	1	
17	12240-96306	·CRANKSHAFT, UNDER	1	
18	09262-30055	·BEARING (30X72X19)	2	
19	09262-30055	·BEARING (30X72X19)	1	
20	09289-38013	·OIL SEAL (38X72X12)	1	
21	09283-30064	OIL SEAL (30X55X10)	1	
22	09283-30062	OIL SEAL (30X55X8)	1	
23	09282-15008	OIL SEAL (14.7X25X6.5)	2	
24	12100-91L00-050	PISTON/RING SET (OS:0.50)	2	OPT
25	12140-96351-050	·RING SET, PISTON (OS:0.50)	2	OPT

FIG.6

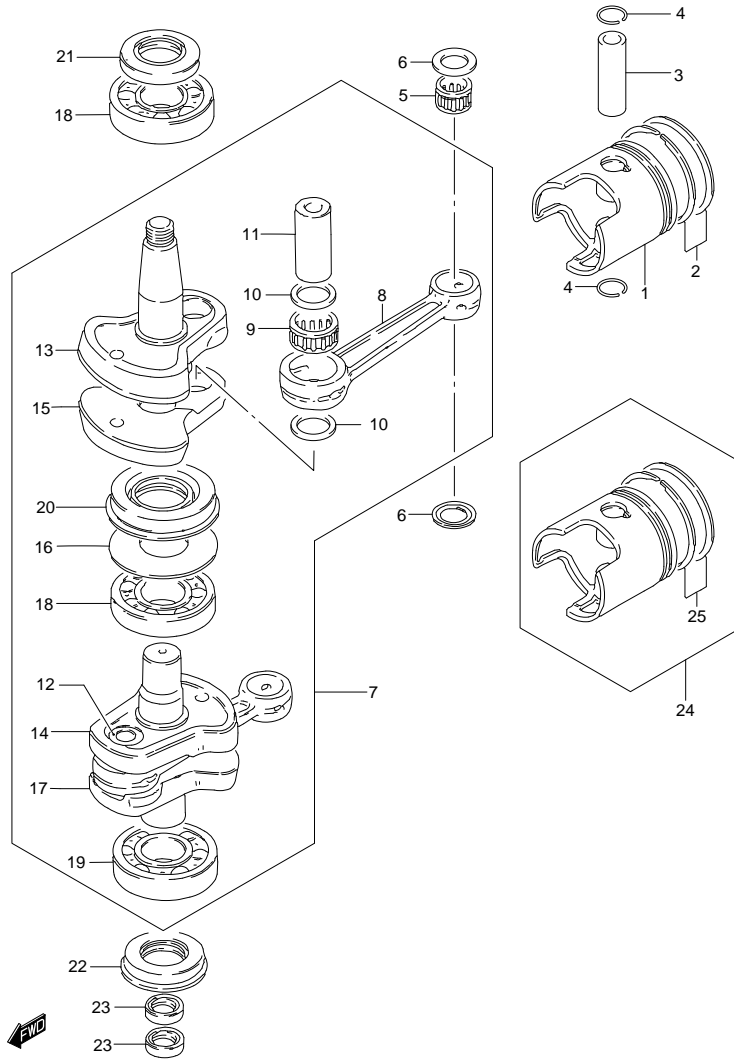


FIG.6 (1-B-7) CRANKSHAFT (DT30R P40)

REF NO.	PART NO.	DESCRIPTION	Q' TY	REMARKS
1	12110-91L00-0B0	PISTON	2	
2	12140-96361	RING SET, PISTON	2	
3	12151-92502	PIN, PISTON	2	
4	09381-18002	CIRCLIP	4	
5	09263-18016	BEARING (18X23X22)	2	
6	09169-18001	WASHER	4	
7	12200-91L00	CRANKSHAFT ASSY	1	
8	12161-96300	·ROD, CONNECTING	2	
9	09263-24018	·BEARING (24X32X20)	2	
10	09181-24001	·SHIM (24X31.5X1)	4	
11	12211-96311	·PIN, CRANK UPPER	1	
12	12211-96311	·PIN, CRANK LOWER	1	
13	12221-96307	·CRANKSHAFT, UPPER	1	
14	12232-96306	·WHEEL, MIDDLE UNDER	1	
15	12231-96304	·WHEEL, MIDDLE UPPER	1	
16	09160-50002	·WASHER (50X77X1)	1	
17	12240-96306	·CRANKSHAFT, UNDER	1	
18	09262-30055	·BEARING (30X72X19)	2	
19	09262-30055	·BEARING (30X72X19)	1	
20	09289-38013	·OIL SEAL (38X72X12)	1	
21	09283-30064	OIL SEAL (30X55X10)	1	
22	09283-30062	OIL SEAL (30X55X8)	1	
23	09282-15008	OIL SEAL (14.7X25X6.5)	2	
24	12100-91L00-050	PISTON/RING SET (OS:0.50)	2	OPT
25	12140-96351-050	·RING SET, PISTON (OS:0.50)	2	OPT

FIG.7

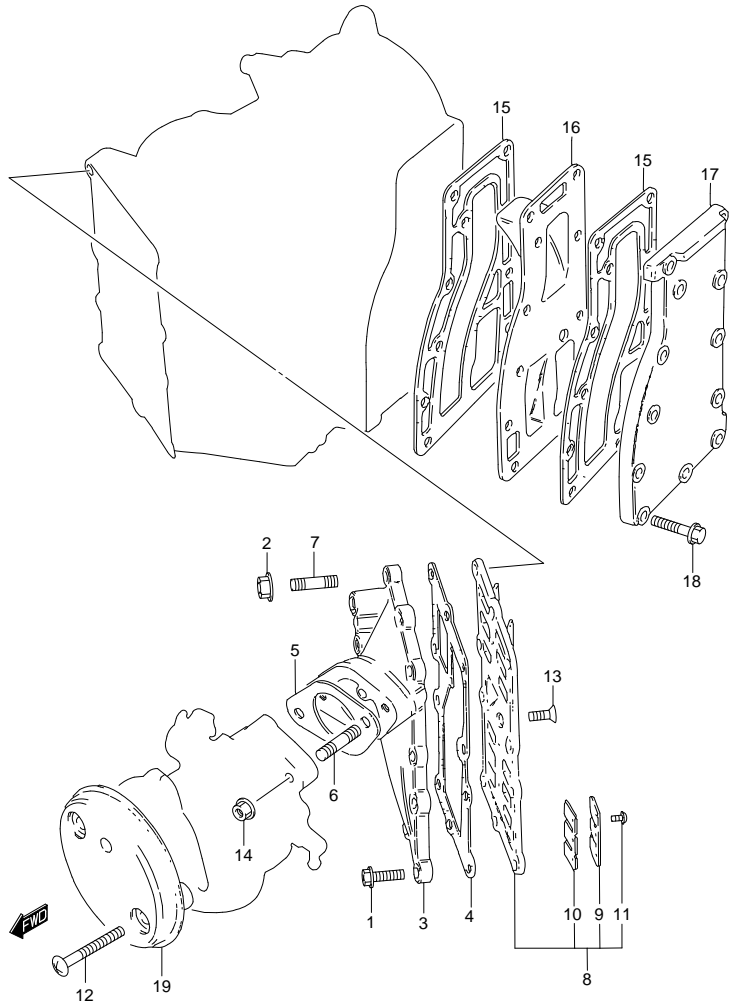


FIG.7 (1-B-8) INLET CASE (DT25K P36)

REF NO.	PART NO.	DESCRIPTION	QTY	REMARKS
1	02162-06257	BOLT	8	
2	08316-10067	NUT	2	
3	12481-91L10	CASE, INLET	1	
4	13121-96400	GASKET, INLET CASE	1	
5	13125-95210	GASKET, CARBURETOR	1	
6	01411-0820A	STUD BOLT	1	
7	01411-0620A	STUD BOLT	2	
8	13150-96300	REED VALVE ASSY	1	
9	13152-96300	·STOPPER, REED VALVE	4	
10	13153-96300	·VALVE, REED	4	
11	02112-3306A	·SCREW	12	
12	02142-06357	SCREW	2	
13	02122-0616A	SCREW	1	
14	08316-10087	NUT	2	
15	14151-96311	GASKET, EXHAUST COVER	2	
16	14131-91L00	PLATE, EXHAUST	1	
17	14141-91L00	COVER, EXHAUST	1	
18	01550-06257	BOLT	12	
19	13811-96351	CASE, SILENCER	1	

FIG.8

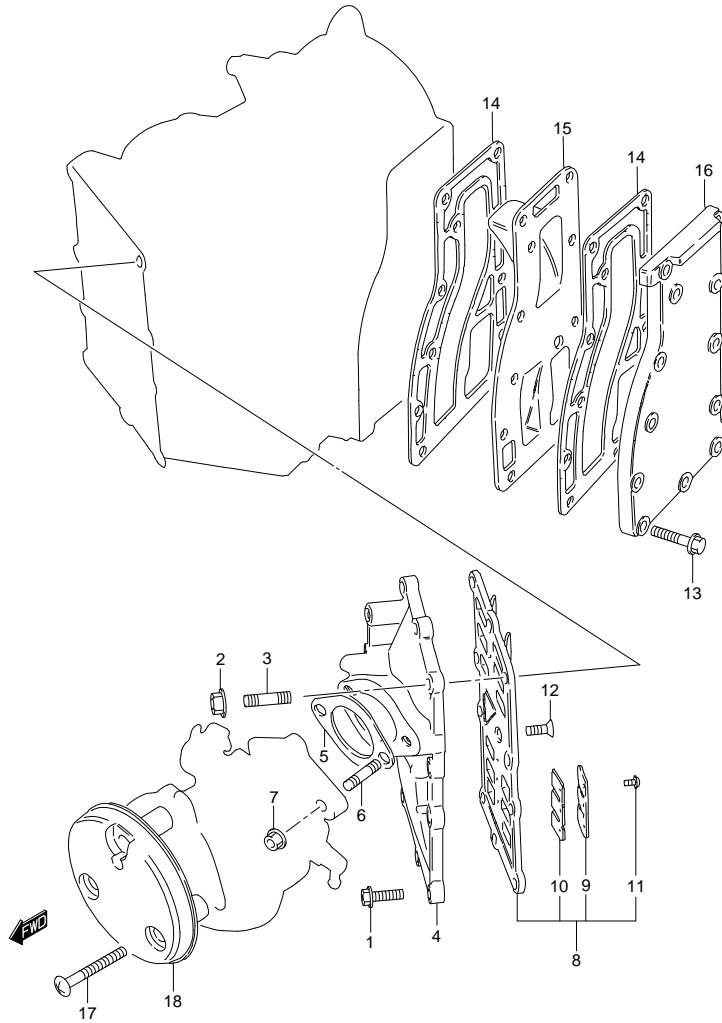


FIG.8 (1-B-9) INLET CASE (DT30 P40)

REF NO.	PART NO.	DESCRIPTION	Q' TY	REMARKS
1	02162-06257	BOLT	8	
2	08316-10067	NUT	2	
3	01411-0620A	STUD BOLT	2	
4	12481-91L00	CASE, INLET	1	
5	13125-93010	GASKET, CARBURETOR	1	
6	01411-0820A	STUD BOLT	2	
7	08316-10087	NUT	2	
8	13150-96300	VALVE ASSY, REED	1	
9	13152-96300	·STOPPER, REED VALVE	4	
10	13153-96300	·VALVE, REED	4	
11	02112-3306A	·SCREW	12	
12	02122-0616A	SCREW	1	
13	01550-06257	BOLT	12	
14	14151-96311	GASKET, EXHAUST COVER	2	
15	14131-91L00	PLATE, EXHAUST	1	
16	14141-91L00	COVER, EXHAUST	1	
17	02142-06407	SCREW	3	
18	13811-96300	CASE, SILENCER	1	

FIG.9

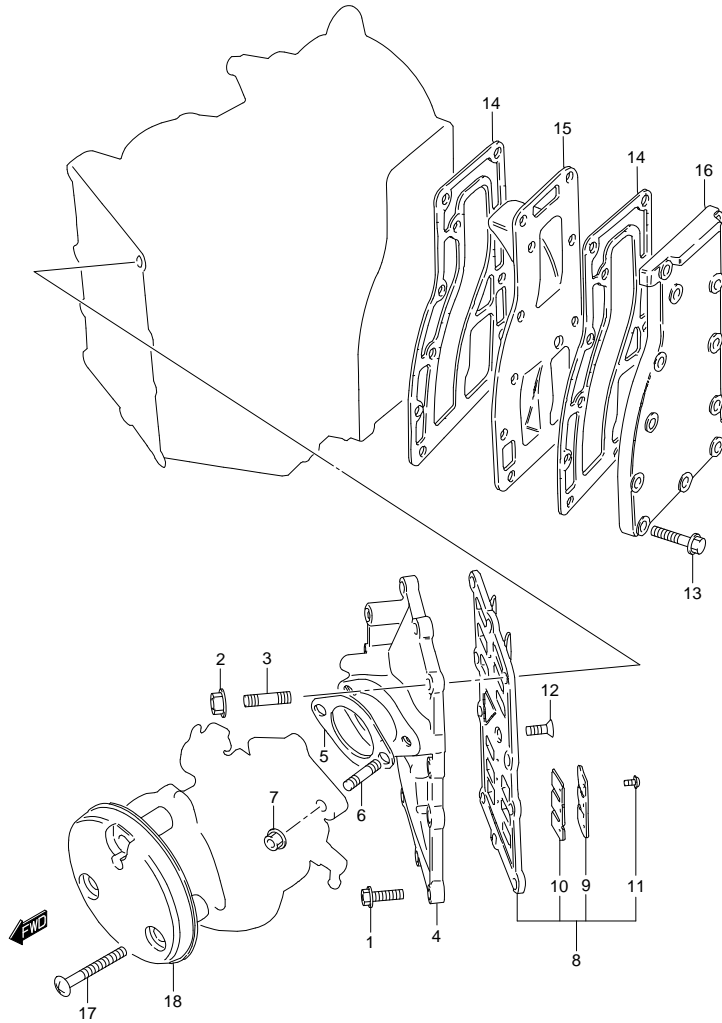
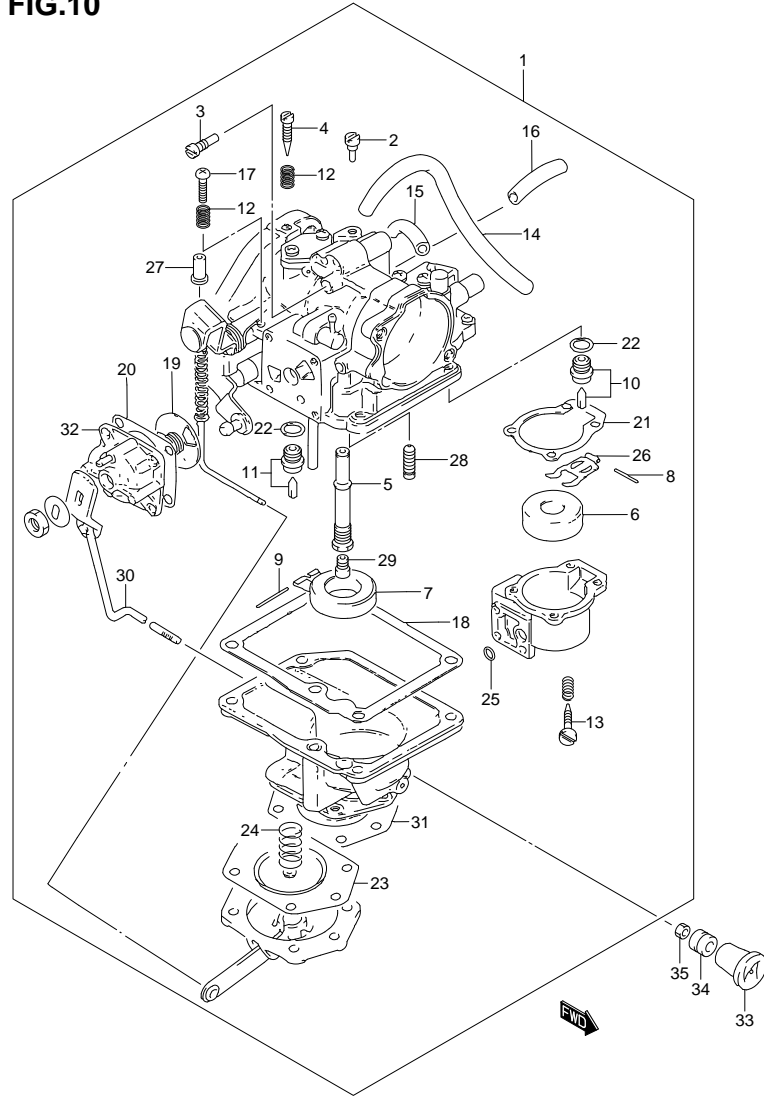


FIG.9 (1-B-10) INLET CASE (DT30R P40)

REF NO.	PART NO.	DESCRIPTION	Q' TY	REMARKS
1	02162-06257	BOLT	8	
2	08316-10067	NUT	2	
3	01411-0620A	STUD BOLT	2	
4	12481-91L00	CASE, INLET	1	
5	13125-93010	GASKET, CARBURETOR	1	
6	01411-0820A	STUD BOLT	2	
7	08316-10087	NUT	2	
8	13150-96300	VALVE ASSY, REED	1	
9	13152-96300	·STOPPER, REED VALVE	4	
10	13153-96300	·VALVE, REED	4	
11	02112-3306A	·SCREW	12	
12	02122-0616A	SCREW	1	
13	01550-06257	BOLT	12	
14	14151-96311	GASKET, EXHAUST COVER	2	
15	14131-91L00	PLATE, EXHAUST	1	
16	14141-91L00	COVER, EXHAUST	1	
17	02142-06407	SCREW	3	
18	13811-96300	CASE, SILENCER	1	

FIG.10



DT25 30 P40 012_010
CARBURETOR

FIG.10 (1-B-11) CARBURETOR (DT25K P36)

REF NO.	PART NO.	DESCRIPTION	Q' TY	REMARKS
1	13200-96461	CARBURETOR ASSY	1	
2	09492-50008	·JET, PILOT (#50)	1	GASOLINE
3	09492-30017	·JET, PILOT (#150)	1	KEROSENE
4	13269-98100	·SCREW, PILOT	1	
5	13235-94350	·NOZZLE	1	
6	13270-94350	·FLOAT	1	GASOLINE
7	13250-93012	·FLOAT	1	KEROSENE
8	13254-98410	·PIN	1	GASOLINE
9	13254-98300	·PIN	1	KEROSENE
10	13370-94350	·VALVE ASSY, NEEDLE	1	GASOLINE
11	13370-28110	·VALVE ASSY, NEEDLE	1	KEROSENE
12	13268-96111	·SPRING, STOP SCREW	3	
13	13616-93900	·ADJUSTER	2	
14	13651-95300	·HOSE	1	L:175->125
15	13651-94350	·HOSE	1	L:175->28,50
16	13651-94350	·HOSE	1	L:175->28
17	13534-96300	·SCREW, THROTTLE STOP	1	
18	13245-94350	·GASKET, FLOAT CHAMBER	1	KEROSENE
19	13415-94350	·DISC ASSY	1	
20	13418-94360	·GASKET	1	
21	13265-94360	·GASKET, FLOAT CHAMBER	1	GASOLINE
22	13392-58600	·PACKING, NEEDLE VALVE SEAT	2	
23	13450-94350	·MEMBRANE ASSY	1	
24	13441-94350	·SPRING	1	
25	13521-78100	·O RING	1	
26	13282-94350	·ARM	1	
27	13461-94350	·NUT	1	
28	13443-94350	·VALVE ASSY	1	
29	09491-29010	·JET, MAIN (#147.5)	1	
30	13580-96351	·LEVER ASSY, STARTER	1	
31	13446-94360	·GASKET	1	
32	13419-94400	·COVER, DISK	1	

DT25 30 P40 012

FIG.10

FIG.10 (1-B-12) CARBURETOR (DT25K P36)

REF NO.	PART NO.	DESCRIPTION	Q' TY	REMARKS
33	13631-93501	KNOB, STARTER	1	
34	09320-04009	BUSH	1	
35	09140-04007	NUT	1	

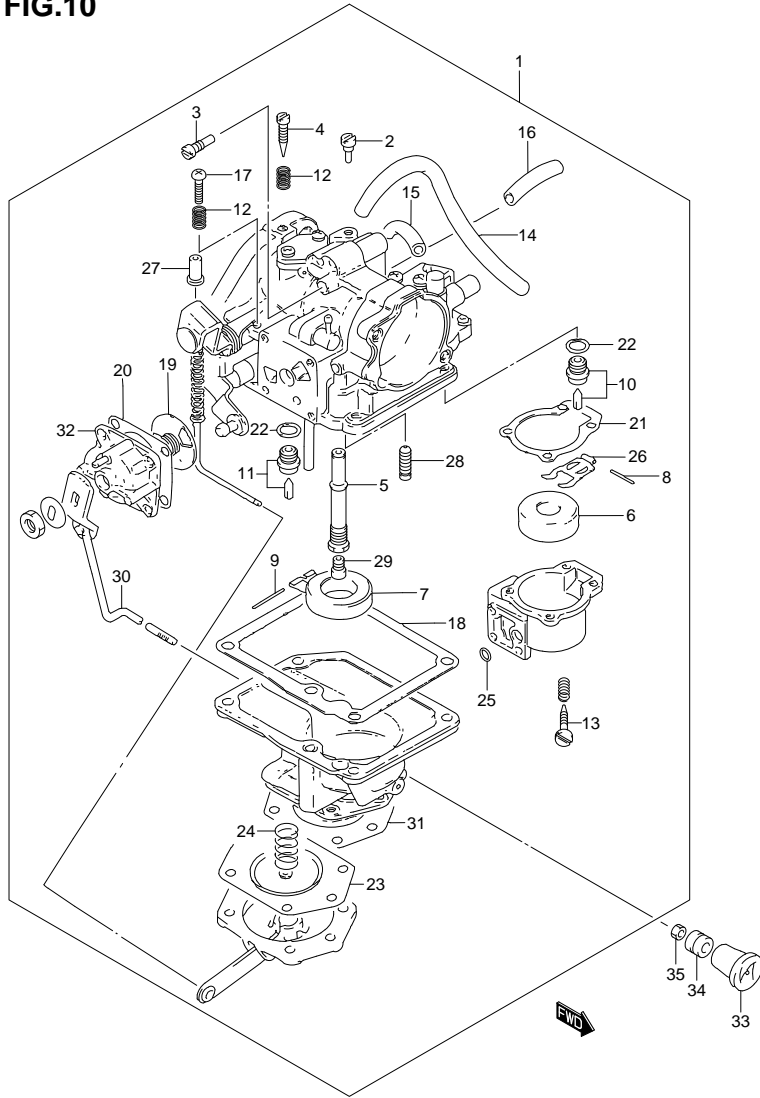


FIG.11

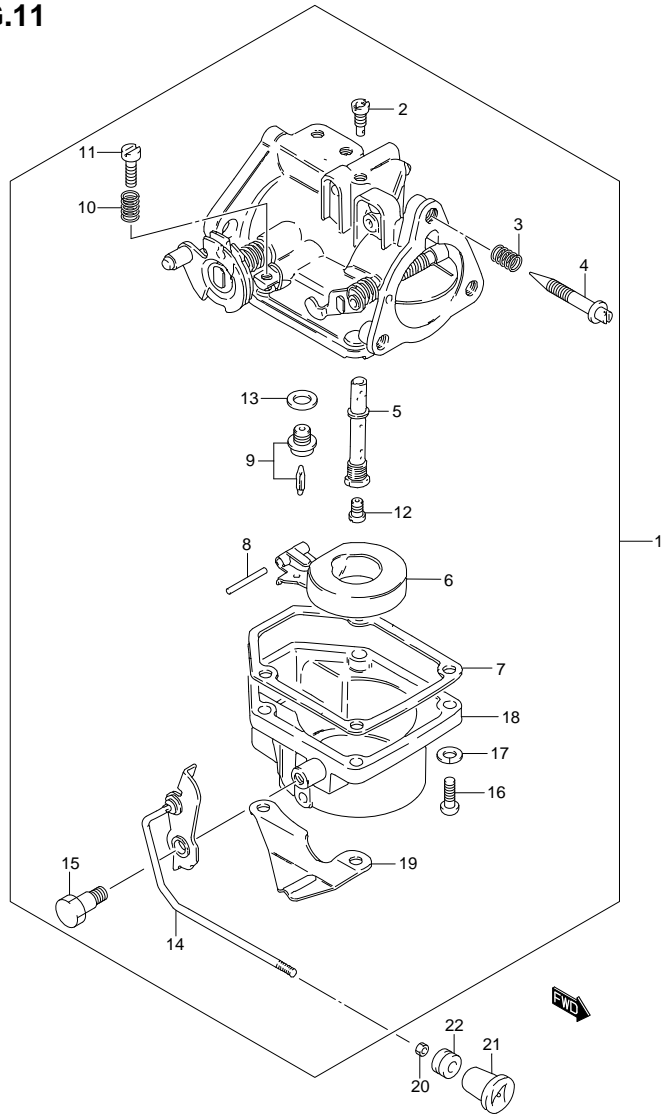


FIG.11 (1-B-13) CARBURETOR (DT30 P40)

REF NO.	PART NO.	DESCRIPTION	Q' TY	REMARKS
1	13200-964J0	CARBURETOR ASSY	1	
2	09492-70001	·JET, PILOT (70)	1	
3	13271-93311	·SPRING, AIR SCREW	1	
4	13269-93311	·SCREW, PILOT AIR	1	
5	13235-94350	·NOZZLE	1	
6	13250-93012	·FLOAT	1	
7	13251-93320	·GASKET, FLOAT CHAMBER	1	
8	13254-98300	·PIN, FLOAT	1	
9	13370-28110	·VALVE ASSY, NEEDLE	1	
10	13268-96111	·SPRING, THROTTLE STOP	1	
11	13534-96300	·SCREW, THROTTLE STOP	1	
12	09491-32012	·JET, MAIN (160)	1	
13	13392-58600	·GASKET, VALVE SEAT	1	
14	13681-96301	·LEVER, CHOKE	1	
15	13682-96300	·BOLT	1	
16	02112-05207	·SCREW	4	
17	08321-0105A	·LOCK WASHER	4	
18	13240-94620	·CHAMBER, FLOAT	1	
19	13694-96300	·PLATE, SPRING	1	
20	09140-04007	NUT	1	
21	13631-93501	KNOB, STARTER	1	
22	09320-04009	BUSH	1	

FIG.12

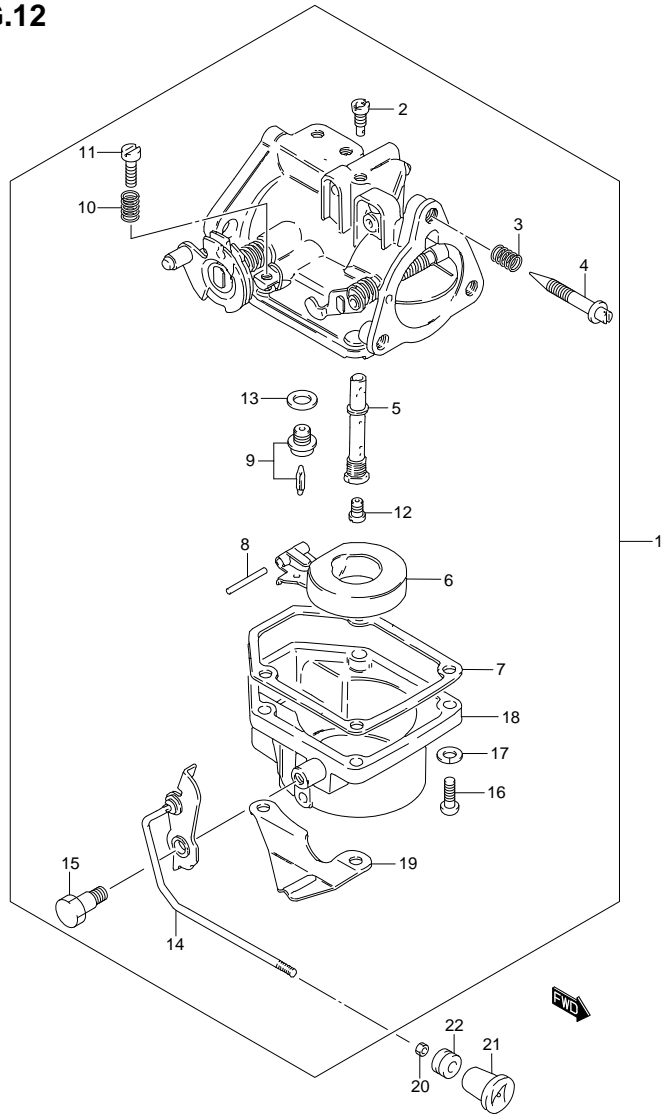


FIG.12 (1-B-14) CARBURETOR (DT30R P40)

REF NO.	PART NO.	DESCRIPTION	Q'TY	REMARKS
1	13200-964J0	CARBURETOR ASSY	1	
2	09492-70001	·JET, PILOT (70)	1	
3	13271-93311	·SPRING, AIR SCREW	1	
4	13269-93311	·SCREW, PILOT AIR	1	
5	13235-94350	·NOZZLE	1	
6	13250-93012	·FLOAT	1	
7	13251-93320	·GASKET, FLOAT CHAMBER	1	
8	13254-98300	·PIN, FLOAT	1	
9	13370-28110	·VALVE ASSY, NEEDLE	1	
10	13268-96111	·SPRING, THROTTLE STOP	1	
11	13534-96300	·SCREW, THROTTLE STOP	1	
12	09491-32012	·JET, MAIN (160)	1	
13	13392-58600	·GASKET, VALVE SEAT	1	
14	13681-96301	·LEVER, CHOKE	1	
15	13682-96300	·BOLT	1	
16	02112-05207	·SCREW	4	
17	08321-0105A	·LOCK WASHER	4	
18	13240-94620	·CHAMBER, FLOAT	1	
19	13694-96300	·PLATE, SPRING	1	
20	09140-04007	NUT	1	
21	13631-93501	KNOB, STARTER	1	
22	09320-04009	BUSH	1	

FIG.13

FIG.13 (1-B-15) OIL SEAL HOUSING (DT25K P36)

REF NO.	PART NO.	DESCRIPTION	Q' TY	REMARKS
1	11411-91L00	HOUSING, UPPER OIL SEAL	1	
2	11413-96310	GASKET, UPPER OIL SEAL HOUSING	1	
3	02122-06167	SCREW	4	

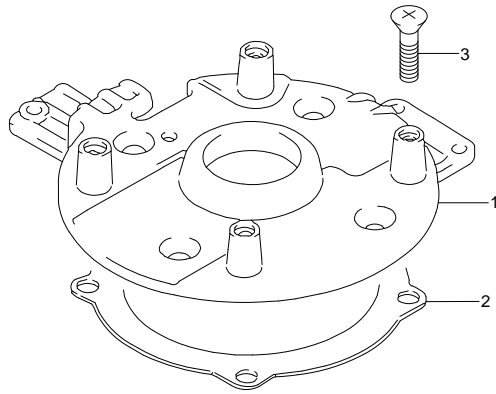


FIG.14

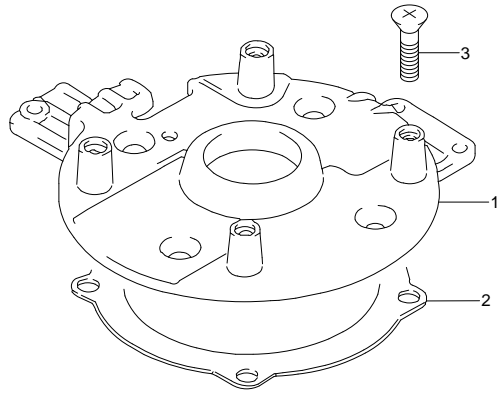


FIG.14 (1-C-2) OIL SEAL HOUSING (DT30 P40)

REF NO.	PART NO.	DESCRIPTION	Q'TY	REMARKS
1	11411-91L00	HOUSING, UPPER OIL SEAL	1	
2	11413-96310	GASKET, UPPER OIL SEAL HOUSING	1	
3	02122-06167	SCREW	4	
4	31911-91L00	BRACKET, STARTER	1	
5	01580-08257	BOLT	4	

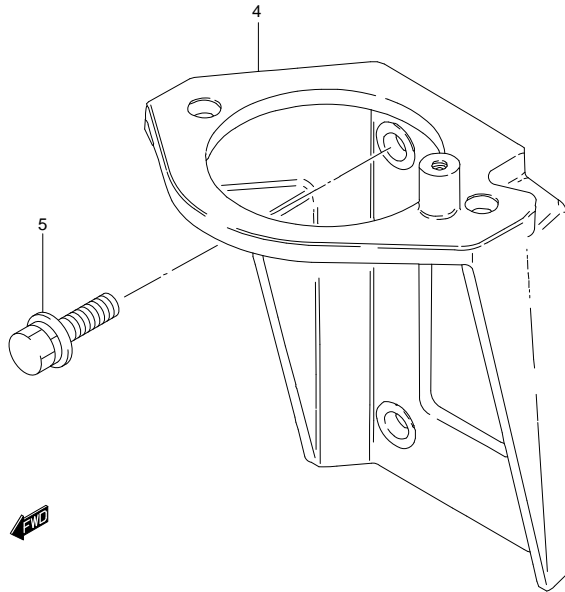


FIG.15

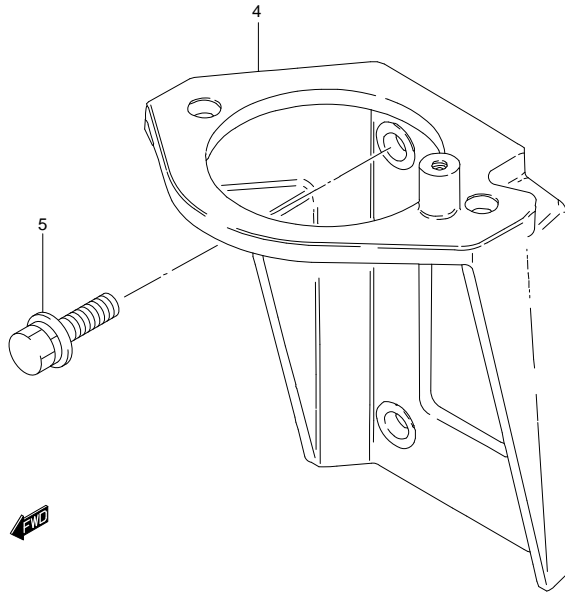
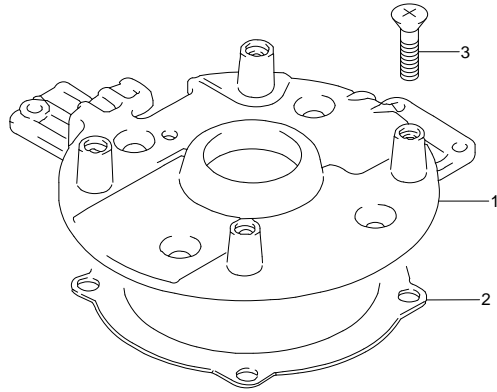


FIG.15 (1-C-3) OIL SEAL HOUSING (DT30R P40)

REF NO.	PART NO.	DESCRIPTION	Q'TY	REMARKS
1	11411-91L00	HOUSING, UPPER OIL SEAL	1	
2	11413-96310	GASKET, UPPER OIL SEAL HOUSING	1	
3	02122-06167	SCREW	4	
4	31911-91L00	BRACKET, STARTER	1	
5	01580-08257	BOLT	4	

FIG.16

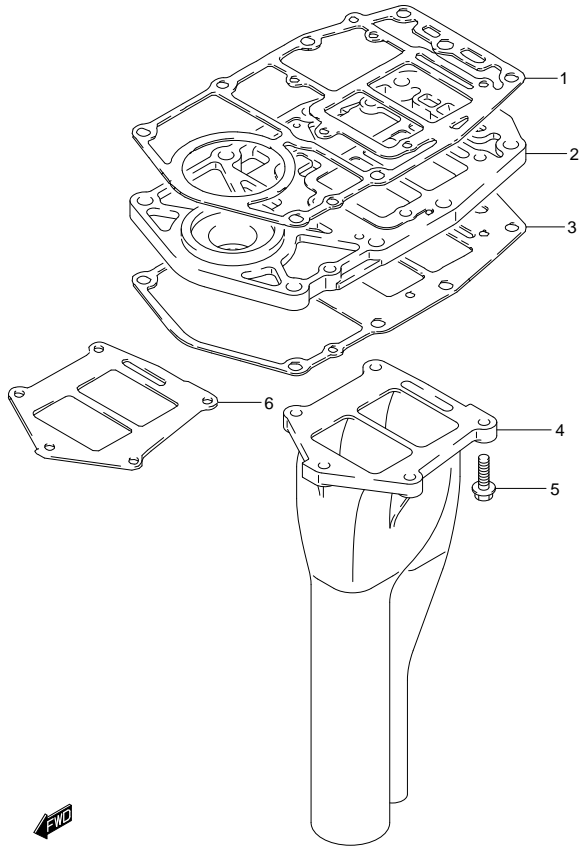


FIG.16 (1-C-4) EXHAUST TUBE (DT25K P36)

REF NO.	PART NO.	DESCRIPTION	Q'TY	REMARKS
1	11433-96330	GASKET, LOWER OIL SEAL HOUSING	1	
2	11431-91L00	HOUSING, UNDER OIL SEAL	1	
3	52113-96330	GASKET, DRIVE SHAFT HOUSING	1	
4	14211-91L00	TUBE, EXHAUST	1	TRANSOM(L)
5	29103-94400	BOLT (6X35)	5	
6	14212-96310	GASKET, EXHAUST TUBE	1	

FIG.17

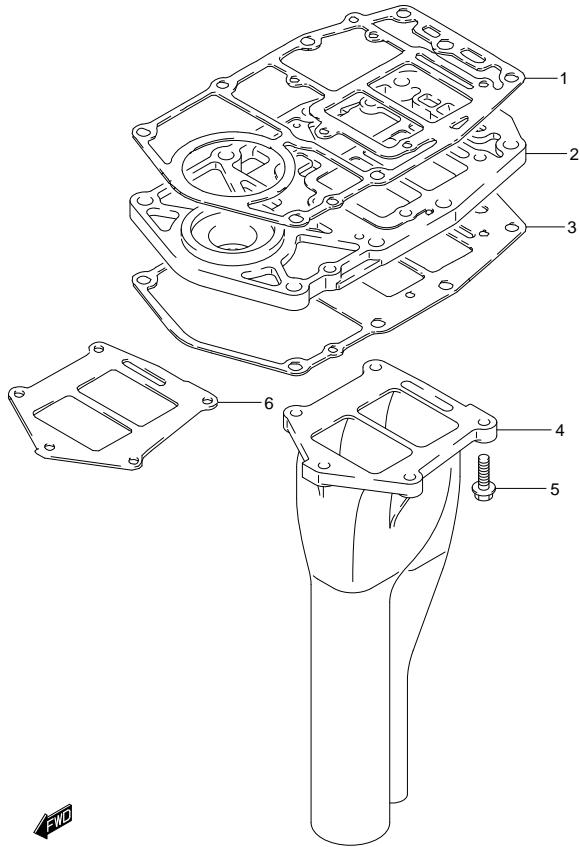


FIG.17 (1-C-5) EXHAUST TUBE (DT30 P40)

REF NO.	PART NO.	DESCRIPTION	Q'TY	REMARKS
1	11433-96330	GASKET, LOWER OIL SEAL HOUSING	1	
2	11431-91L00	HOUSING, UNDER OIL SEAL	1	
3	52113-96330	GASKET, DRIVE SHAFT HOUSING	1	
4-1	14211-91L10	TUBE, EXHAUST	1	TRANSOM(S)
4-2	14211-91L00	TUBE, EXHAUST	1	TRANSOM(L)
5	29103-94400	BOLT (6X35)	5	
6	14212-96310	GASKET, EXHAUST TUBE	1	

FIG.18

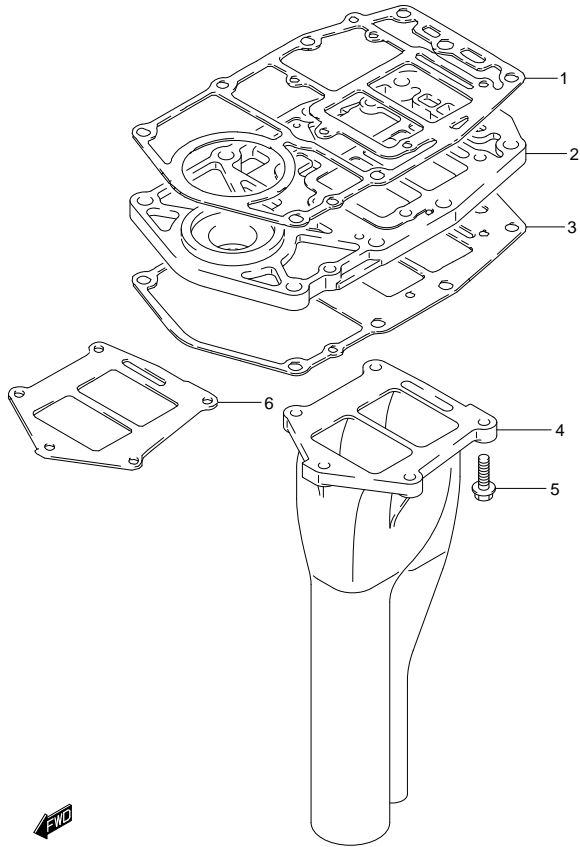


FIG.18 (1-C-6) EXHAUST TUBE (DT30R P40)

REF NO.	PART NO.	DESCRIPTION	Q'TY	REMARKS
1	11433-96330	GASKET, LOWER OIL SEAL HOUSING	1	
2	11431-91L00	HOUSING, UNDER OIL SEAL	1	
3	52113-96330	GASKET, DRIVE SHAFT HOUSING	1	
4-1	14211-91L10	TUBE, EXHAUST	1	TRANSOM(S)
4-2	14211-91L00	TUBE, EXHAUST	1	TRANSOM(L)
5	29103-94400	BOLT (6X35)	5	
6	14212-96310	GASKET, EXHAUST TUBE	1	

FIG.19

FIG.19 (1-C-7) FUEL PUMP (DT25K P36)

REF NO.	PART NO.	DESCRIPTION	QTY	REMARKS
1	15100-9436V	PUMP ASSY, FUEL	1	
2	15170-94460	·DIAPHRAGM SET	1	
3	01580-08207	BOLT	1	
4	01570-06257	BOLT	2	
5	15321-96300	GASKET	2	
6	09352-50903-600	HOSE (5X9X600)	1	GASOLINE, L:600->180 PUMP TO CARB
7	09352-50903-600	HOSE (5X9X600)	1	GASOLINE, L:600->170 FILTER TO PUMP
8	09401-08410	CLIP	5	
9	09401-10410	CLIP	7	
10	16911-92E20	PROTECTOR	2	
11	15410-90L00	FILTER ASSY, FUEL	2	
12	15430-87D10	·ELEMENT SET	2	
13	15413-87D10	·CUP	2	
14	08316-10087	NUT	2	
15	15322-96300	INSULATOR, FUEL PUMP	1	
16	09359-50823-600	HOSE (5X8.2X600)	1	GASOLINE, L:600->230 CONN TO FILTER
17	09343-05532	HOSE (L:300)	1	KEROSENE PUMP TO CARB
18	09343-05524	HOSE (L:150)	1	KEROSENE FILTER TO PUMP
19	09343-05532	HOSE (L:300)	1	KEROSENE CONN TO FILTER

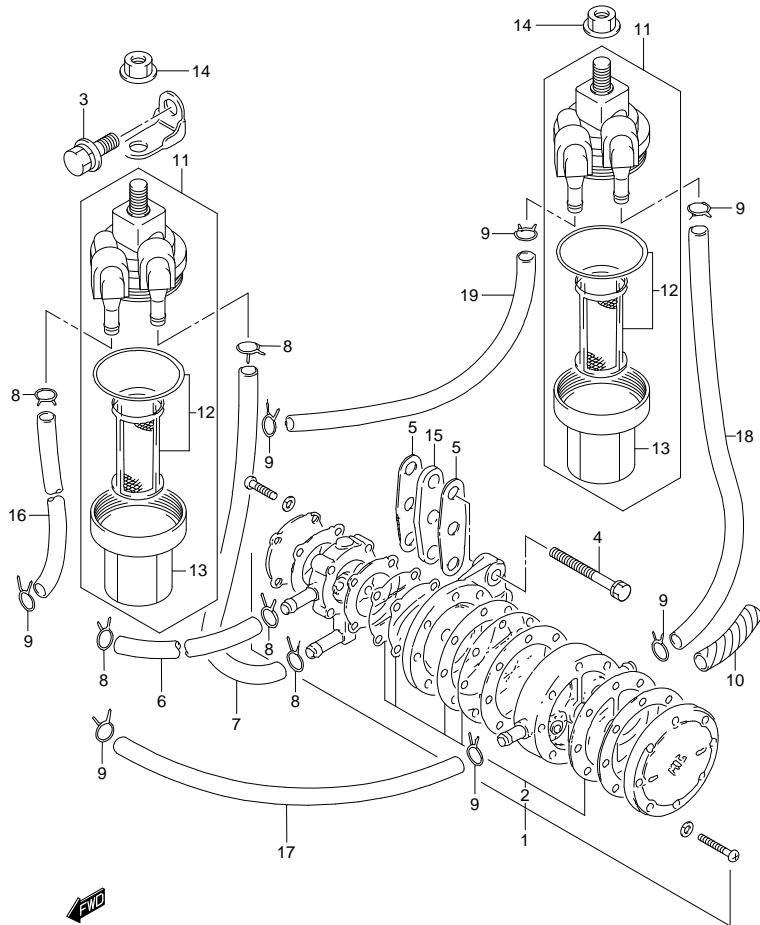


FIG.21

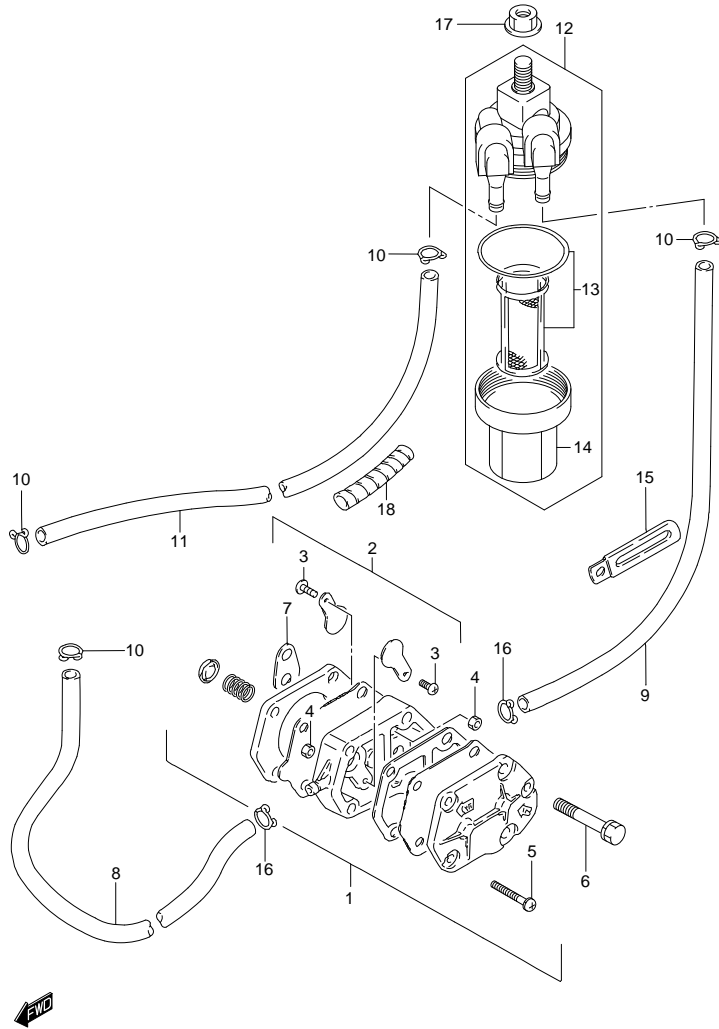


FIG.21 (1-C-9) FUEL PUMP (DT30R P40)

REF NO.	PART NO.	DESCRIPTION	Q' TY	REMARKS
1	15100-94311	PUMP ASSY, FUEL	1	
2	15170-94320	·DIAPHRAGM SET	1	
3	15183-94301	·SCREW	2	
4	15186-94300	·NUT	2	
5	15851-94300	·SCREW	3	
6	01570-06407	BOLT	2	
7	15321-99710	GASKET, FUEL PUMP	1	
8	09352-50903-600	HOSE (5X9X600)	1	PUMP TO CARB L:600->195
9	09352-50903-600	HOSE (5X9X600)	1	FILTER TO PUMP L:600->195
10	09401-08410	CLIP	4	
11	09352-50903-600	HOSE (5X9X600)	1	CONN TO FILTER L:600->320
12	15410-90L00	FILTER ASSY, FUEL	1	
13	15430-87D10	·ELEMENT SET	1	
14	15413-87D10	·CUP	1	
15	29404-93J10	CLAMP (L:65)	1	
16	15331-94300	CLIP	2	
17	08316-10087	NUT	1	
18	16911-92E20	PROTECTOR, FUEL HOSE	1	L:540->40

FIG.22

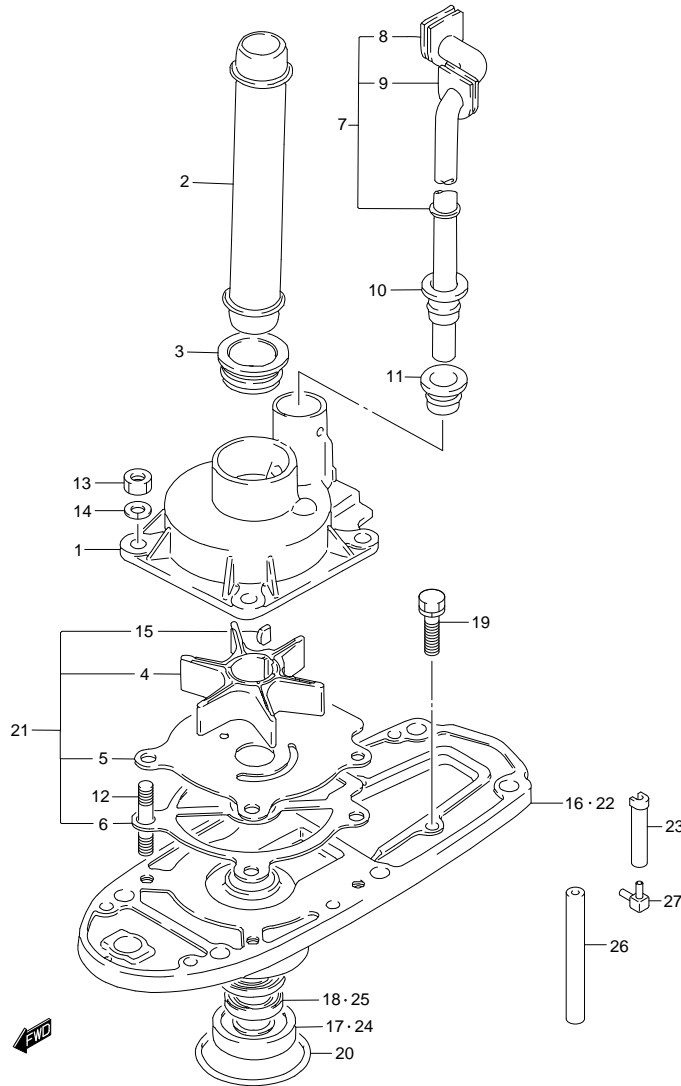


FIG.22 (1-C-10) WATER PUMP (DT25K P36)

REF NO.	PART NO.	DESCRIPTION	Q T Y	REMARKS
1	17410-94431	CASE, WATER PUMP	1	
2	17431-96302	TUBE, WATER PUMP SEAL (L)	1	TRANSOM(L)
3	17432-96300	GROMMET, SEAL TUBE	2	
4	17461-96402	IMPELLER, WATER PUMP	1	
5	17471-94411	PANEL, UNDER	1	
6	17472-96303	GASKET, PUMP CASE, LOWER	1	
7	17560-96304	TUBE, WATER (L)	1	TRANSOM(L)
8	17563-96301	·GROMMET, UPPER (1)	1	
9	17564-96301	·GROMMET, UPPER (2)	1	
10	17565-96300	GROMMET, MIDDLE	1	
11	17566-96302	GROMMET, LOWER	1	
12	09108-06069	STUD BOLT	4	
13	29141-93J00	NUT	4	
14	29162-93J00	LOCK WASHER	4	
15	09420-04006	KEY	1	
16	56130-91L00-0EP	HOUSING, DRIVE SHAFT BEARING	1	
17	09265-17002	·BEARING (17X40X17.25)	1	
18	09289-17004	·OIL SEAL (17X30X9)	1	
19	29116-93J00	BOLT (6X20)	2	
20	09280-50005	O RING (D:3.6;ID:43.2)	1	
21	17400-96403	KIT, WATER PUMP REPAIR	1	OPT
22	56130-96320-0EP	HOUSING, DRIVE SHAFT BEARING	1	OPT
23	17453-95D00	·DRAIN, WATER INLET	1	OPT
24	09265-17002	·BEARING (17X40X17.25)	1	OPT
25	09289-17004	·OIL SEAL (17X30X9)	1	OPT
26	09355-40805-600	·HOSE (4X8X600)	1	OPT L:600->130
27	09367-04005	·UNION	1	OPT

FIG.23

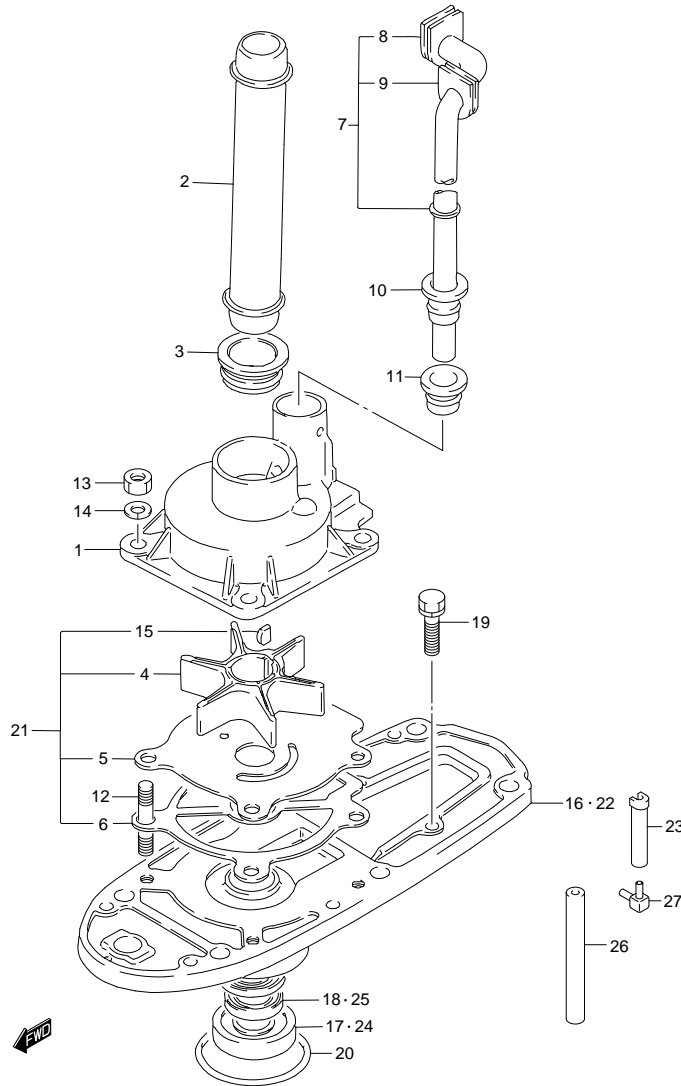


FIG.23 (1-C-11) WATER PUMP (DT30 P40)

REF NO.	PART NO.	DESCRIPTION	Q' TY	REMARKS
1	17410-94431	CASE, WATER PUMP	1	
2-1	17431-96312	TUBE, WATER PUMP SEAL (S)	1	TRANSOM(S)
2-2	17431-96302	TUBE, WATER PUMP SEAL (L)	1	TRANSOM(L)
3	17432-96300	GROMMET, SEAL TUBE	2	
4	17461-96402	IMPELLER, WATER PUMP	1	
5	17471-94411	PANEL, UNDER	1	
6	17472-96303	GASKET, PUMP CASE, LOWER	1	
7-1	17560-96314	TUBE, WATER (S)	1	TRANSOM(S)
7-2	17560-96304	TUBE, WATER (L)	1	TRANSOM(L)
8	17563-96301	·GROMMET, UPPER (1)	1	
9	17564-96301	·GROMMET, UPPER (2)	1	
10	17565-96300	GROMMET, MIDDLE	1	
11	17566-96302	GROMMET, LOWER	1	
12	09108-06069	STUD BOLT	4	
13	29141-93J00	NUT	4	
14	29162-93J00	LOCK WASHER	4	
15	09420-04006	KEY	1	
16	56130-91L00-0EP	HOUSING, DRIVE SHAFT BEARING	1	
17	09265-17002	·BEARING (17X40X17.25)	1	
18	09289-17004	·OIL SEAL (17X30X9)	1	
19	29116-93J00	BOLT (6X20)	2	
20	09280-50005	O RING (D:3.6, ID:43.2)	1	
21	17400-96403	KIT, WATER PUMP REPAIR	1	OPT
22	56130-96320-0EP	HOUSING, DRIVE SHAFT BEARING	1	OPT
23	17453-95D00	·DRAIN, WATER INLET	1	OPT
24	09265-17002	·BEARING (17X40X17.25)	1	OPT
25	09289-17004	·OIL SEAL (17X30X9)	1	OPT
26	09355-40805-600	·HOSE (4X8X600)	1	OPT
				L:600->130
27	09367-04005	·UNION	1	OPT

FIG.24

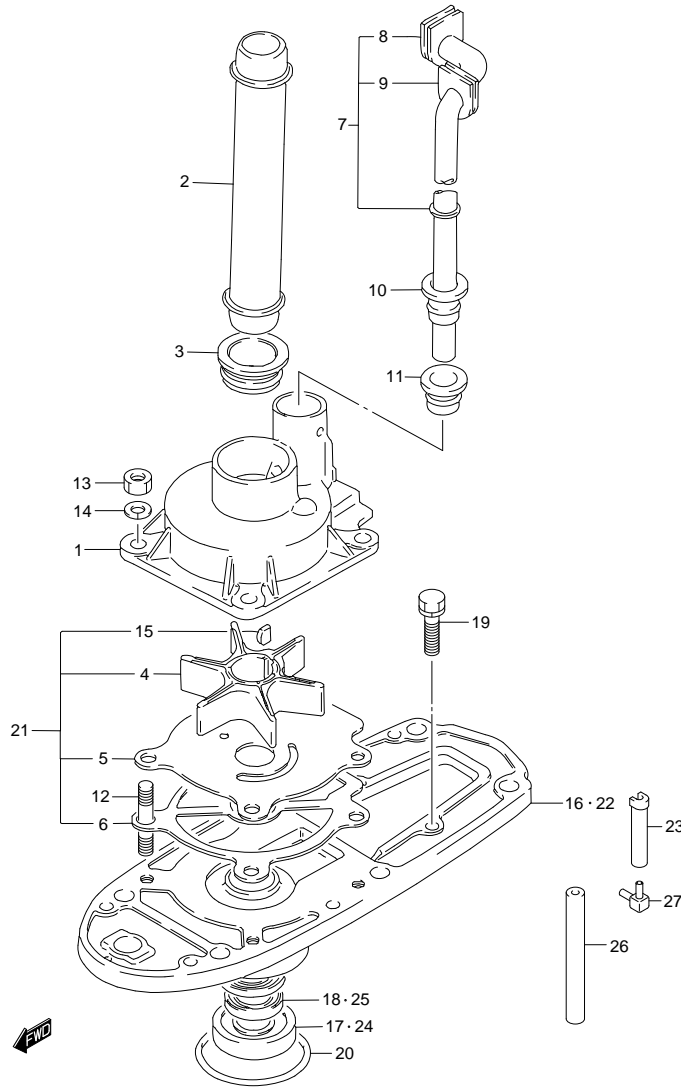


FIG.24 (1-C-12) WATER PUMP (DT30R P40)

REF NO.	PART NO.	DESCRIPTION	Q' TY	REMARKS
1	17410-94431	CASE, WATER PUMP	1	
2-1	17431-96312	TUBE, WATER PUMP SEAL (S)	1	TRANSOM(S)
2-2	17431-96302	TUBE, WATER PUMP SEAL (L)	1	TRANSOM(L)
3	17432-96300	GROMMET, SEAL TUBE	2	
4	17461-96402	IMPELLER, WATER PUMP	1	
5	17471-94411	PANEL, UNDER	1	
6	17472-96303	GASKET, PUMP CASE, LOWER	1	
7-1	17560-96314	TUBE, WATER (S)	1	TRANSOM(S)
7-2	17560-96304	TUBE, WATER (L)	1	TRANSOM(L)
8	17563-96301	·GROMMET, UPPER (1)	1	
9	17564-96301	·GROMMET, UPPER (2)	1	
10	17565-96300	GROMMET, MIDDLE	1	
11	17566-96302	GROMMET, LOWER	1	
12	09108-06069	STUD BOLT	4	
13	29141-93J00	NUT	4	
14	29162-93J00	LOCK WASHER	4	
15	09420-04006	KEY	1	
16	56130-91L00-0EP	HOUSING, DRIVE SHAFT BEARING	1	
17	09265-17002	·BEARING (17X40X17.25)	1	
18	09289-17004	·OIL SEAL (17X30X9)	1	
19	29116-93J00	BOLT (6X20)	2	
20	09280-50005	O RING (D:3.6, ID:43.2)	1	
21	17400-96403	KIT, WATER PUMP REPAIR	1	OPT
22	56130-96320-0EP	HOUSING, DRIVE SHAFT BEARING	1	OPT
23	17453-95D00	·DRAIN, WATER INLET	1	OPT
24	09265-17002	·BEARING (17X40X17.25)	1	OPT
25	09289-17004	·OIL SEAL (17X30X9)	1	OPT
26	09355-40805-600	·HOSE (4X8X600)	1	OPT
				L:600->130
27	09367-04005	·UNION	1	OPT

FIG.25

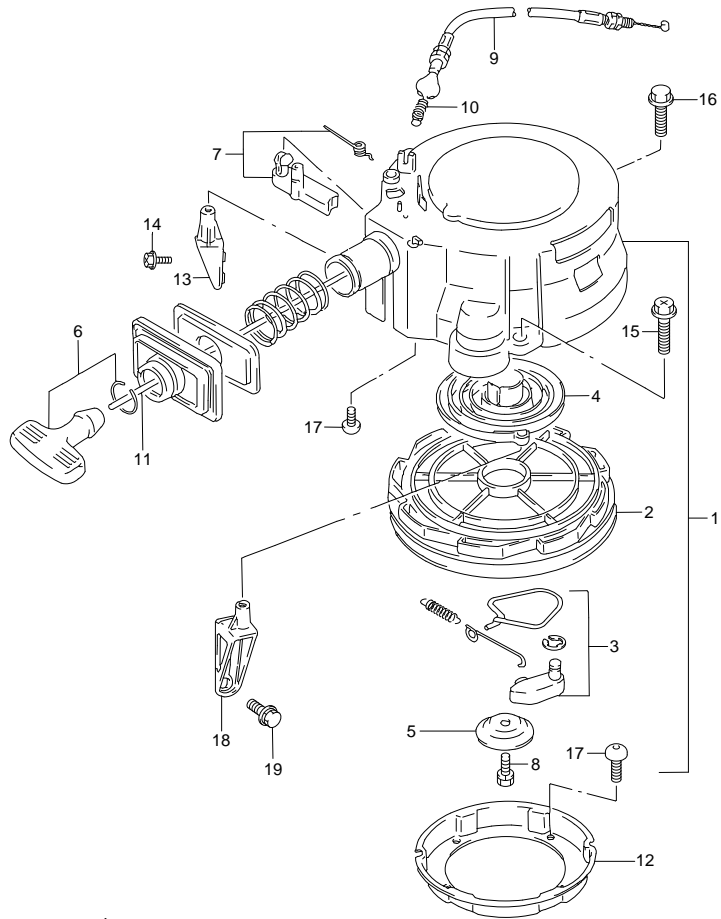


FIG.25 (1-C-13) RECOIL STARTER (DT25K P36)

REF NO.	PART NO.	DESCRIPTION	QTY	REMARKS
1	18100-96322	STARTER ASSY, RECOIL	1	
2	18120-96320	·REEL	1	
3	18130-96321	·RATCHET SET	1	
4	18142-96300	·SPRING, SPIRAL	1	
5	18151-96310	·PLATE, FRICTION	1	
6	18210-93002	·GRIP ASSY	1	
7	18280-96320	·NSI SET	1	
8	01570-06167	·BOLT	1	
9	18290-96311	·CABLE, NSI	1	
10	18293-96310	·SPRING	1	
11	99000-81159-50M	ROPE	1	OPT L:50000->1750
12	18411-96301	CUP, STARTER	1	
13	18711-91L00	BRACE, RECOIL STARTER STBD	1	
14	02162-06207	BOLT	2	BRACE STBD
15	01550-06207	BOLT	2	
16	01550-08257	BOLT	1	
17	09106-06098	SCREW (6X12)	4	
18	18721-91L00	BRACE, RECOIL STARTER PORT	1	MANUAL STARTER
19	01580-08257	BOLT	2	MANUAL STARTER BRACE PORT

FIG.26

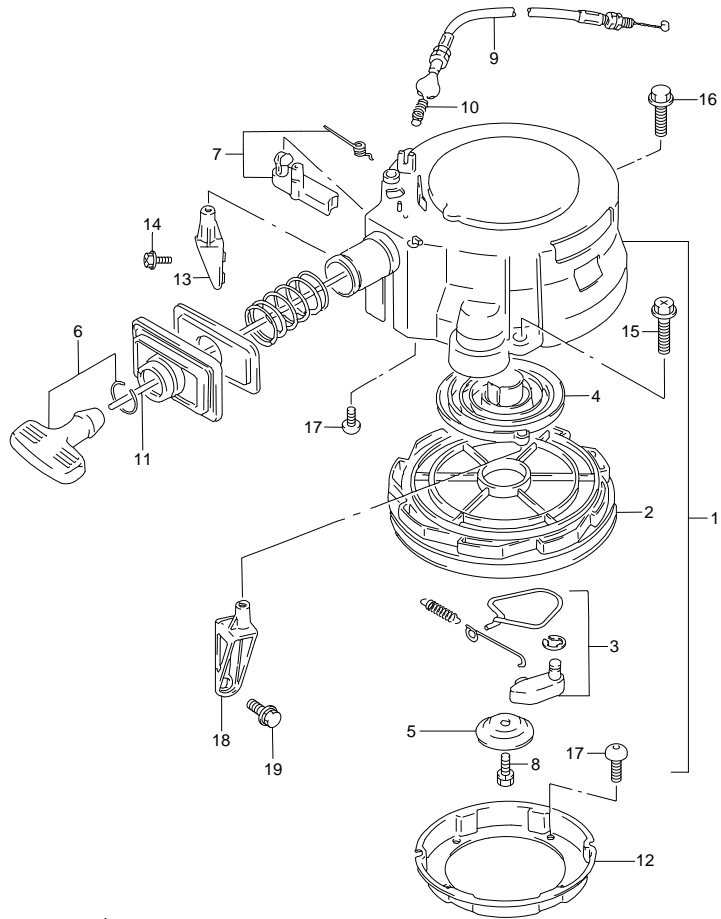


FIG.26 (1-C-14) RECOIL STARTER (DT30 P40)

REF NO.	PART NO.	DESCRIPTION	QTY	REMARKS
1	18100-96322	STARTER ASSY, RECOIL	1	
2	18120-96320	·REEL	1	
3	18130-96321	·RATCHET SET	1	
4	18142-96300	·SPRING, SPIRAL	1	
5	18151-96310	·PLATE, FRICTION	1	
6	18210-93002	·GRIP ASSY	1	
7	18280-96320	·NSI SET	1	
8	01570-06167	·BOLT	1	
9	18290-96311	·CABLE, NSI	1	
10	18293-96310	·SPRING	1	
11	99000-81159-50M	ROPE	1	OPT L:50000->1750
12	18411-96301	CUP, STARTER	1	
13	18711-91L00	BRACE, RECOIL STARTER STBD	1	
14	02162-06207	BOLT	2	BRACE STBD
15	01550-06207	BOLT	2	
16	01550-08257	BOLT	1	
17	09106-06098	SCREW (6X12)	4	
18	18721-91L00	BRACE, RECOIL STARTER PORT	1	MANUAL STARTER
19	01580-08257	BOLT	2	MANUAL STARTER BRACE PORT



FIG.27

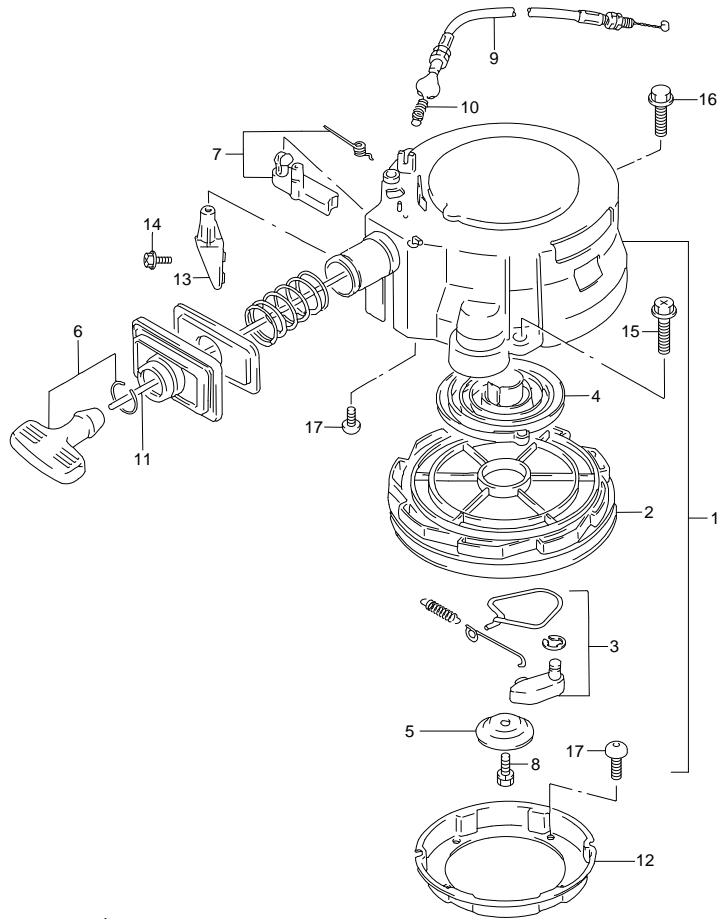


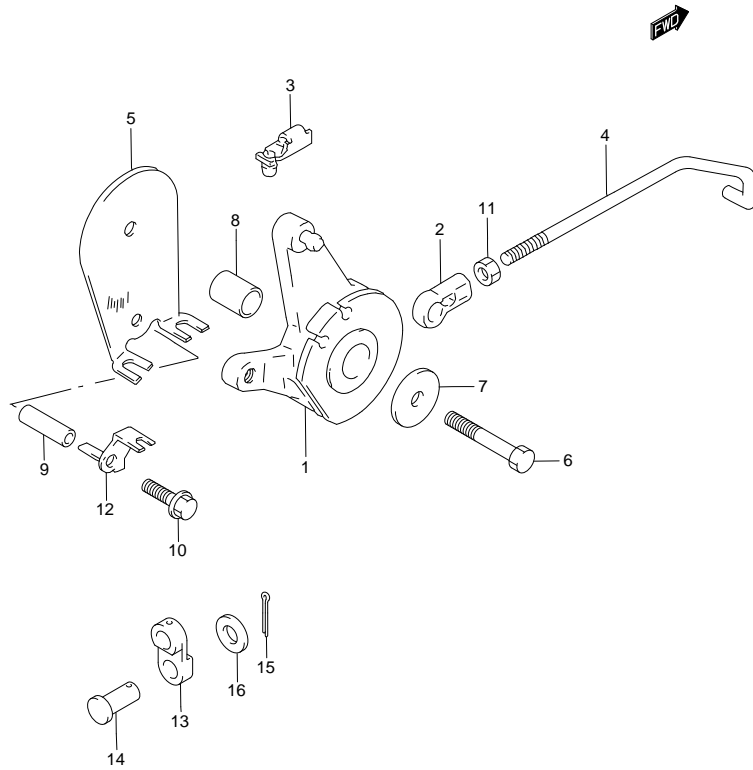
FIG.27 (1-C-15) RECOIL STARTER (DT30R P40)

REF NO.	PART NO.	DESCRIPTION	Q' TY	REMARKS
1	18100-96322	STARTER ASSY, RECOIL	1	
2	18120-96320	·REEL	1	
3	18130-96321	·RATCHET SET	1	
4	18142-96300	·SPRING, SPIRAL	1	
5	18151-96310	·PLATE, FRICTION	1	
6	18210-93002	·GRIP ASSY	1	
7	18280-96320	·NSI SET	1	
8	01570-06167	·BOLT	1	
9	18290-96311	·CABLE, NSI	1	
10	18293-96310	·SPRING	1	
11	99000-81159-50M	ROPE	1	OPT L:50000->1750
12	18411-96301	CUP, STARTER	1	
13	18711-91L00	BRACE, RECOIL STARTER STBD	1	
14	02162-06207	BOLT	2	BRACE STBD
15	01550-06207	BOLT	2	
16	01550-08257	BOLT	1	
17	09106-06098	BOLT (6X12)	4	



FIG.28

FIG.28 (1-D-2) THROTTLE CONTROL (DT25K P36)



REF NO.	PART NO.	DESCRIPTION	Q' TY	REMARKS
1	19121-96301	LEVER, THROTTLE CONTROL	1	
2	19131-95502	CONNECTOR	1	
3	19132-96300	CONNECTOR, THROTTLE ROD	1	
4	19135-96350	ROD (TH LEVER TO CARB)	1	
5	19761-96351	STAY, THROTTLE CABLE	1	
6	09100-06121	BOLT (6X30)	1	
7	09160-06084	WASHER (6.5X18X1.6)	1	
8	09180-06105	SPACER (6.1X10X14)	1	
9	09180-06186	SPACER (6.2X12.6X21)	1	
10	01550-06357	BOLT	1	
11	09140-05005	NUT	1	
12	18642-96301	HOLDER, INTERLOCK CABLE	1	
13	18652-96300	CONNECTOR, INTERLOCK CABLE	1	
14	09200-05006	PIN	1	
15	09204-01002	COTTER PIN	1	
16	09160-05029	WASHER (5.5X12X0.8)	1	

FIG.29

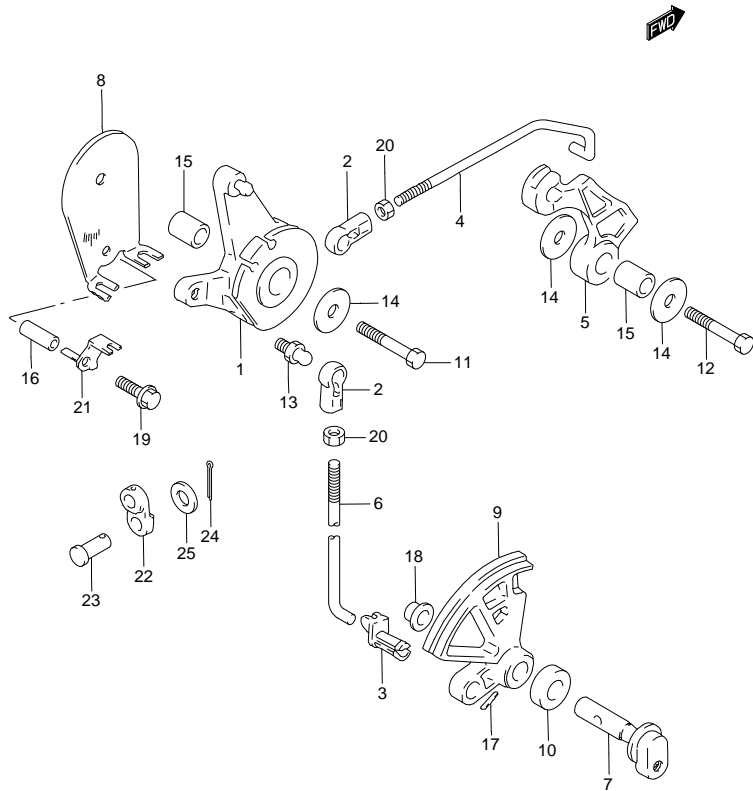


FIG.29 (1-D-3) THROTTLE CONTROL (DT30 P40)

REF NO.	PART NO.	DESCRIPTION	Q' TY	REMARKS
1	19121-96301	LEVER, THROTTLE CONTROL	1	
2	19131-95502	CONNECTOR	2	
3	19131-96300	RETAINER, ROD CONNECTOR	1	
4	19135-96301	ROD (TH LEVER TO TH CAM)	1	
5	19141-96301	CAM, THROTTLE	1	
6	19656-96300	ROD (LIMITER TO TH LEVER)	1	
7	19720-96302	SHAFT, REMOCON THROTTLE	1	
8	19761-96301	STAY, THROTTLE CABLE	1	
9	19811-91L00	LIMITER, THROTTLE	1	
10	19859-94300	SPACER, NSI	1	
11	09100-06121	BOLT (6X30)	1	
12	09100-06121	BOLT (6X30)	1	
13	09119-05010	PIVOT, BALL	1	
14	09160-06084	WASHER (6.5X18X1.6)	3	
15	09180-06105	SPACER (6.1X10X14)	2	
16	09180-06186	SPACER (6.2X12.6X21)	1	
17	09205-04002	SPRING	1	
18	09306-10001	BUSH	1	
19	01550-06357	BOLT	1	
20	09140-05005	NUT	2	
21	18642-96301	HOLDER, INTERLOCK CABLE	1	
22	18652-96300	CONNECTOR, INTERLOCK CABLE	1	
23	09200-05006	PIN	1	
24	09204-01002	COTTER PIN	1	
25	09160-05029	WASHER (5.5X12X0.8)	1	

FIG.30

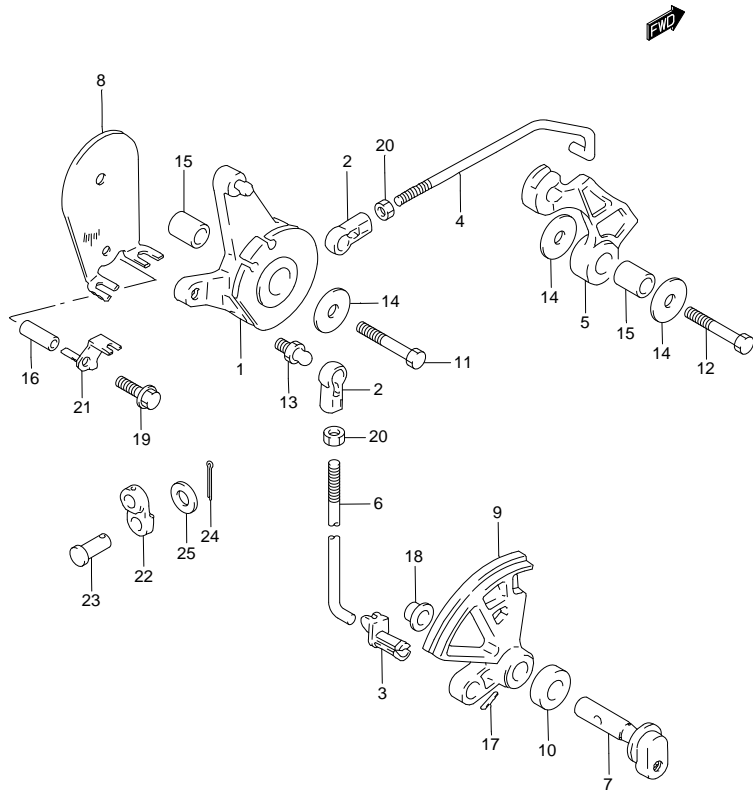


FIG.30 (1-D-4) THROTTLE CONTROL (DT30R P40)

REF NO.	PART NO.	DESCRIPTION	Q' TY	REMARKS
1	19121-96301	LEVER, THROTTLE CONTROL	1	
2	19131-95502	CONNECTOR	2	
3	19131-96300	RETAINER, ROD CONNECTOR	1	
4	19135-96301	ROD (TH LEVER TO TH CAM)	1	
5	19141-96301	CAM, THROTTLE	1	
6	19656-96300	ROD (LIMITER TO TH LEVER)	1	
7	19720-96302	SHAFT, REMOCON THROTTLE	1	
8	19761-96301	STAY, THROTTLE CABLE	1	
9	19811-91L00	LIMITER, THROTTLE	1	
10	19859-94300	SPACER, NSI	1	
11	09100-06121	BOLT (6X30)	1	
12	09100-06121	BOLT (6X30)	1	
13	09119-05010	PIVOT, BALL	1	
14	09160-06084	WASHER (6.5X18X1.6)	3	
15	09180-06105	SPACER (6.1X10X14)	2	
16	09180-06186	SPACER (6.2X12.6X21)	1	
17	09205-04002	SPRING	1	
18	09306-10001	BUSH	1	
19	01550-06357	BOLT	1	
20	09140-05005	NUT	2	
21	18642-96301	HOLDER, INTERLOCK CABLE	1	
22	18652-96300	CONNECTOR, INTERLOCK CABLE	1	
23	09200-05006	PIN	1	
24	09204-01002	COTTER PIN	1	
25	09160-05029	WASHER (5.5X12X0.8)	1	

FIG.31

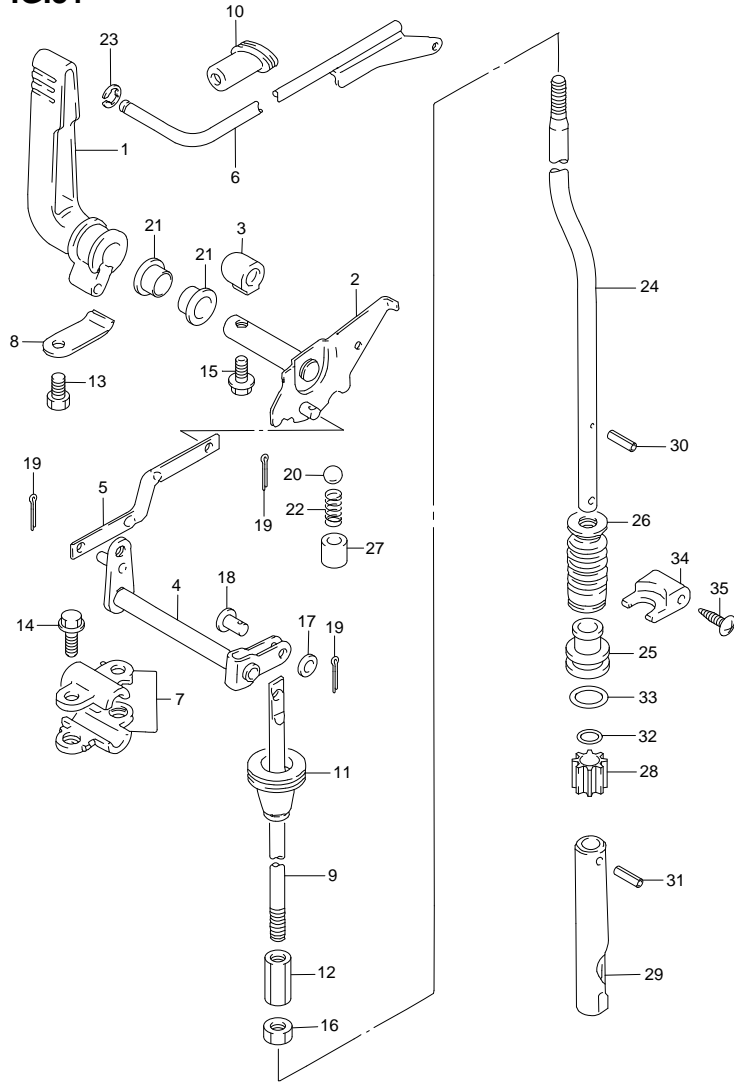


FIG.31 (1-D-5) CLUTCH (DT25K P36)

REF NO.	PART NO.	DESCRIPTION	QTY	REMARKS
1	21111-96311	LEVER, CLUTCH	1	
2	21120-96320	PLATE, CLUTCH NOTCH	1	
3	21142-96300	CAP, CLUTCH SHAFT	1	
4	21210-96300	SHAFT, CLUTCH	1	
5	21241-96300	ROD, CLUTCH ARM	1	
6	21242-91L00	ROD, CLUTCH LEVER	1	
7	21311-96300	HOLDER, CLUTCH SHIFT SHAFT	4	
8	21312-96300	HOLDER, CLUTCH LEVER	1	
9	23111-96300	ROD, CLUTCH	1	
10	23131-93900	BOOT, CLUTCH LEVER ROD	1	
11	23131-94300	BOOT, CLUTCH ROD	1	
12	23311-95DL0	TURNBUCKLE, CLUTCH ROD	1	
13	09100-06131	BOLT (6X12)	1	
14	09103-06093	BOLT (6X20)	4	
15	09103-06092	BOLT (6X15)	1	
16	29141-93J00	NUT	1	
17	09160-05029	WASHER (5.5X12X0.8)	1	
18	09200-05006	PIN	1	
19	09204-01002	COTTER PIN	3	
20	09260-10005	BALL	1	
21	09306-10001	BUSH	2	
22	09440-07021	SPRING	1	
23	09383-08004	E RING	1	
24	25111-91L10	ROD, SHIFT (L)	1	TRANSOM(L)
25	25211-96301	GUIDE, SHIFT ROD	1	
26	25222-96300	BOOT, SHIFT ROD GUIDE	1	
27	25231-96301	HOLDER, MAGNET	1	
28	25232-96302	MAGNET	1	
29	25311-96303	CAM, CLUTCH SHIFT	1	

FIG.31

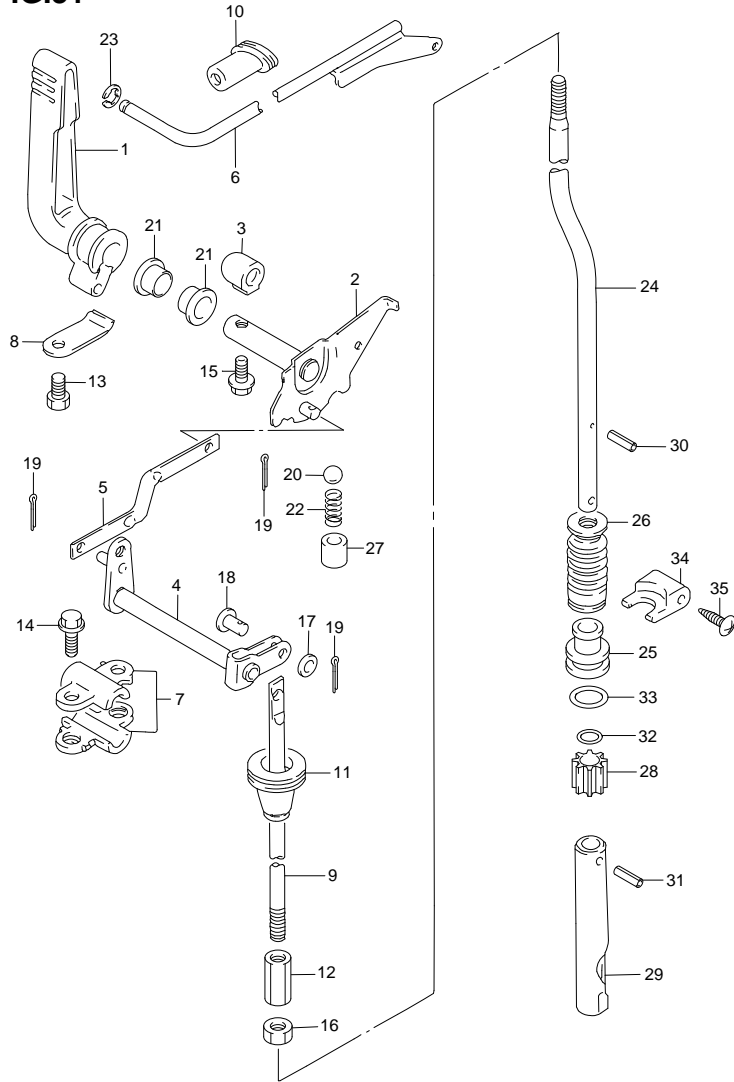


FIG.31 (1-D-6) CLUTCH (DT25K P36)

REF NO.	PART NO.	DESCRIPTION	Q'TY	REMARKS
30	09205-02004	PIN	1	
31	09205-03021	PIN	1	
32	09280-08005	O RING (D:1.7,ID:7.7)	1	
33	09280-13005	O RING (D:3.5,ID:12.8)	1	
34	25215-96301	STOPPER, SHIFT ROD GUIDE	1	
35	09139-04004	SCREW (4X12)	2	

FIG.32

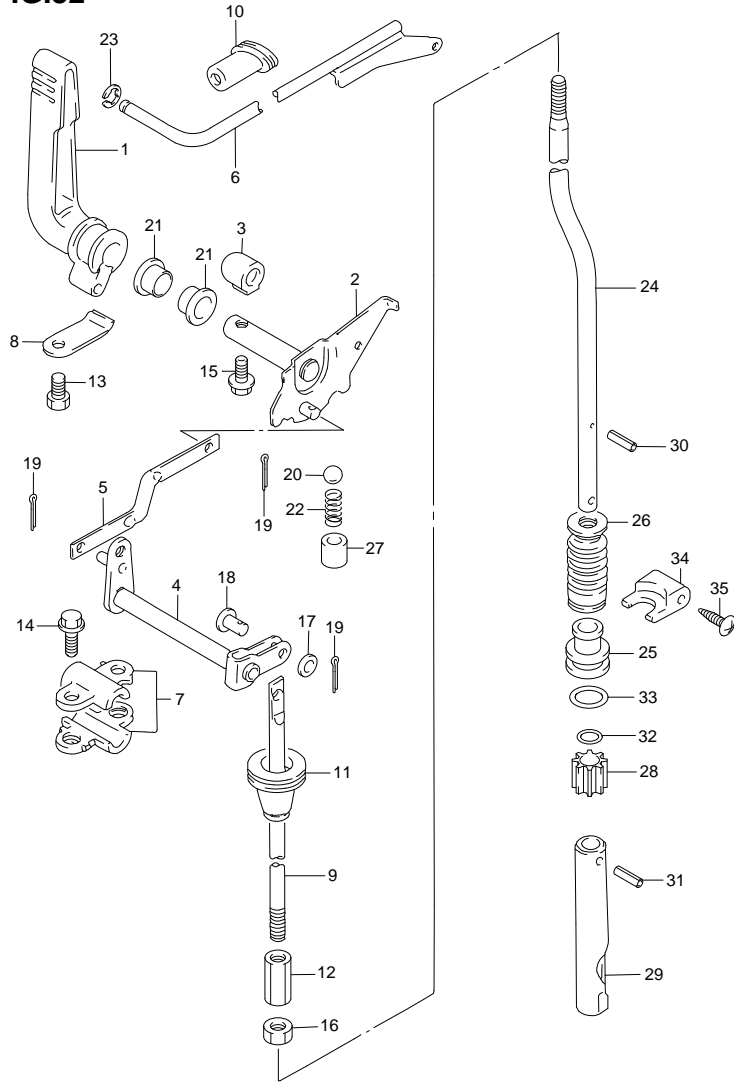


FIG.32 (1-D-7) CLUTCH (DT30 P40)

REF NO.	PART NO.	DESCRIPTION	QTY	REMARKS
1	21111-96311	LEVER, CLUTCH	1	
2	21120-96320	PLATE, CLUTCH NOTCH	1	
3	21142-96300	CAP, CLUTCH SHAFT	1	
4	21210-96300	SHAFT, CLUTCH	1	
5	21241-96300	ROD, CLUTCH ARM	1	
6	21242-91L00	ROD, CLUTCH LEVER	1	
7	21311-96300	HOLDER, CLUTCH SHIFT SHAFT	4	
8	21312-96300	HOLDER, CLUTCH LEVER	1	
9	23111-96300	ROD, CLUTCH	1	
10	23131-93900	BOOT, CLUTCH LEVER ROD	1	
11	23131-94300	BOOT, CLUTCH ROD	1	
12	23311-95DL0	TURNBUCKLE, CLUTCH ROD	1	
13	09100-06131	BOLT (6X12)	1	
14	09103-06093	BOLT (6X20)	4	
15	09103-06092	BOLT (6X15)	1	
16	29141-93J00	NUT	1	
17	09160-05029	WASHER (5.5X12X0.8)	1	
18	09200-05006	PIN	1	
19	09204-01002	COTTER PIN	3	
20	09260-10005	BALL	1	
21	09306-10001	BUSH	2	
22	09440-07021	SPRING	1	
23	09383-08004	E RING	1	
24-1	25111-91L00	ROD, SHIFT (S)	1	TRANSOM(S)
24-2	25111-91L10	ROD, SHIFT (L)	1	TRANSOM(L)
25	25211-96301	GUIDE, SHIFT ROD	1	
26	25222-96300	BOOT, SHIFT ROD GUIDE	1	
27	25231-96301	HOLDER, MAGNET	1	
28	25232-96302	MAGNET	1	
29	25311-96303	CAM, CLUTCH SHIFT	1	

FIG.32

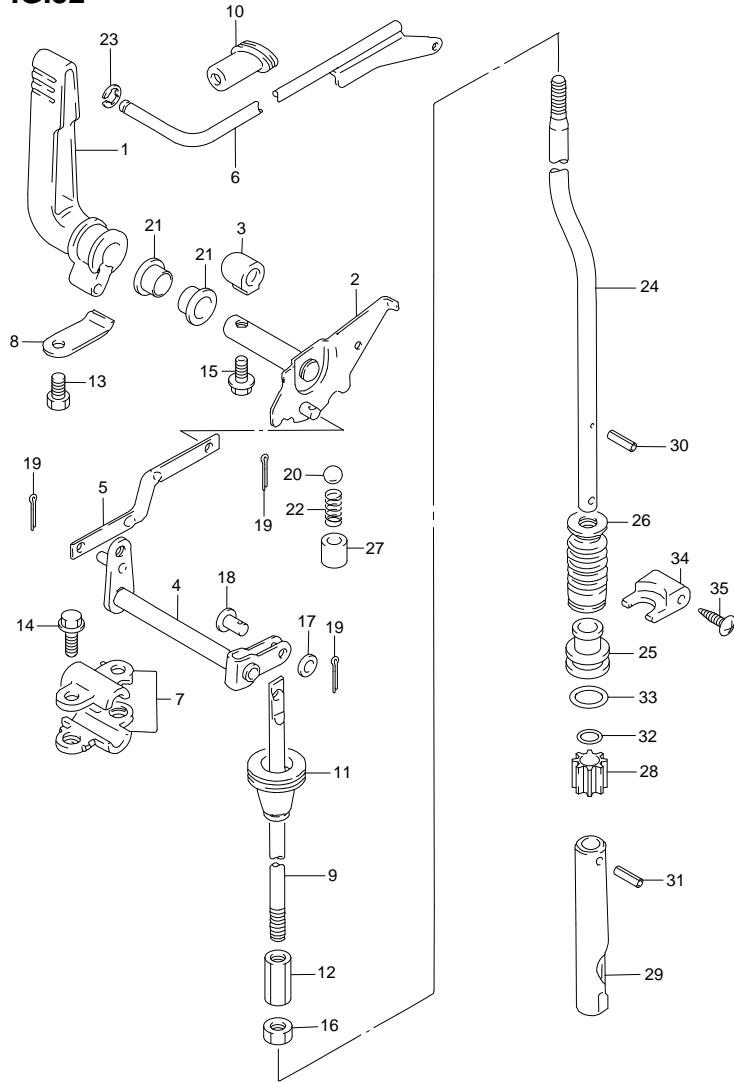


FIG.32 (1-D-8) CLUTCH (DT30 P40)

REF NO.	PART NO.	DESCRIPTION	Q' TY	REMARKS
30	09205-02004	PIN	1	
31	09205-03021	PIN	1	
32	09280-08005	O RING (D:1.7,ID:7.7)	1	
33	09280-13005	O RING (D:3.5,ID:12.8)	1	
34	25215-96301	STOPPER, SHIFT ROD GUIDE	1	
35	09139-04004	SCREW (4X12)	2	

FIG.33

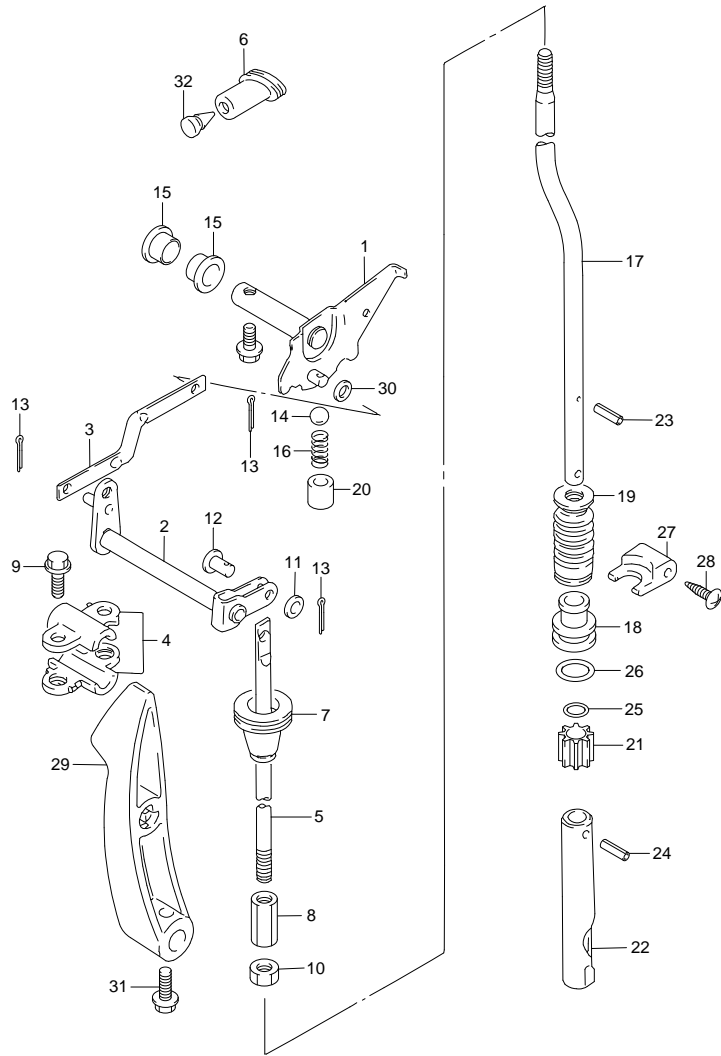


FIG.33 (1-D-9) CLUTCH (DT30R P40)

REF NO.	PART NO.	DESCRIPTION	Q' TY	REMARKS
1	21120-96320	PLATE, CLUTCH NOTCH	1	
2	21210-96300	SHAFT, CLUTCH	1	
3	21241-96300	ROD, CLUTCH ARM	1	
4	21311-96300	HOLDER, CLUTCH SHIFT SHAFT	4	
5	23111-96300	ROD, CLUTCH	1	
6	23131-93900	BOOT, CLUTCH LEVER ROD	1	
7	23131-94300	BOOT, CLUTCH ROD	1	
8	23311-95DL0	TURNBUCKLE, CLUTCH ROD	1	
9	09103-06093	BOLT (6X20)	4	
10	29141-93J00	NUT	1	
11	09160-05029	WASHER (5.5X12X0.8)	1	
12	09200-05006	PIN	1	
13	09204-01002	COTTER PIN	3	
14	09260-10005	BALL	1	
15	09306-10001	BUSH	2	
16	09440-07021	SPRING	1	
17-1	25111-91L00	ROD, SHIFT (S)	1	TRANSOM(S)
17-2	25111-91L10	ROD, SHIFT (L)	1	TRANSOM(L)
18	25211-96301	GUIDE, SHIFT ROD	1	
19	25222-96300	BOOT, SHIFT ROD GUIDE	1	
20	25231-96301	HOLDER, MAGNET	1	
21	25232-96302	MAGNET	1	
22	25311-96303	CAM, CLUTCH SHIFT	1	
23	09205-02004	PIN	1	
24	09205-03021	PIN	1	
25	09280-08005	O RING (D:1.7,ID:7.7)	1	
26	09280-13005	O RING (D:3.5,ID:12.8)	1	
27	25215-96301	STOPPER, SHIFT ROD GUIDE	1	
28	09139-04004	SCREW (4X12)	2	
29	21111-91L00-0EP	LEVER, CLUTCH	1	
30	09160-05024	WASHER (5.5X16X1.5)	1	
31	09103-06093	BOLT (6X20)	1	
32	09250-06012	PLUG (OD:10)	1	

FIG.34

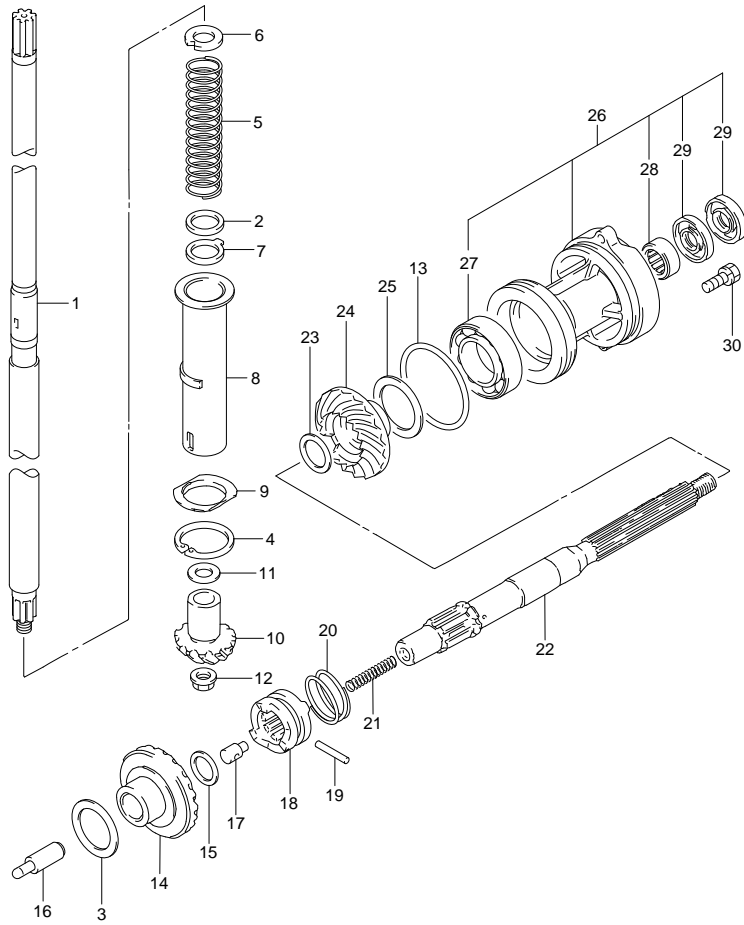


FIG.34 (1-D-10) TRANSMISSION (DT25K P36)

REF NO.	PART NO.	DESCRIPTION	Q T Y	REMARKS
1	57110-96303	SHAFT, DRIVE (L)	1	TRANSOM(L)
2	08211-20253	THRUST WASHER	1	
3-1	09181-25190	SHIM (25X36X0.8)	1	
3-2	09181-25248	SHIM (25X40X0.9)	1	
3-3	09181-25251	SHIM (25X40X1)	1	
3-4	09160-25032	WASHER (25X40X1.1)	1	
3-5	09160-25033	WASHER (25X40X1.2)	1	
3-6	09160-25034	WASHER (25X40X1.3)	1	
3-7	09160-25035	WASHER (25X40X1.4)	1	
3-8	09181-25268	SHIM (25X40X1.5)	1	
4	08331-41406	CIRCLIP	1	
5	09440-25002	SPRING	1	
6	09166-17005	WASHER	1	
7	09167-20021	LOCK WASHER	1	
8	57133-96302	SPACER, PRELOAD SPRING	1	
9	57134-96301	BARRIER	1	
10	57311-96320	PINION	1	
11-1	09160-15030	WASHER (15X20X1.7)	1	
11-2	09160-15031	WASHER (15X20X1.8)	1	
11-3	09160-15032	WASHER (15X20X1.9)	1	
11-4	09160-15053	WASHER (15X20X2.3)	1	
11-5	09160-15054	WASHER (15X20X2.4)	1	
11-6	08211-15203	WASHER (T:2.0)	1	
11-7	09160-15033	WASHER (15X20X2.1)	1	
11-8	08211-15204	WASHER (T:2.2)	1	
12	09159-08046	NUT	1	
13	09280-75002	O RING (D:3.5,ID:68.6)	1	
14	57510-89J00	GEAR, FORWARD	1	
15	09181-16008	SHIM (16X24X2)	1	
16	57631-96301	ROD, PUSH	1	
17	09209-08016	PIN	1	

FIG.34

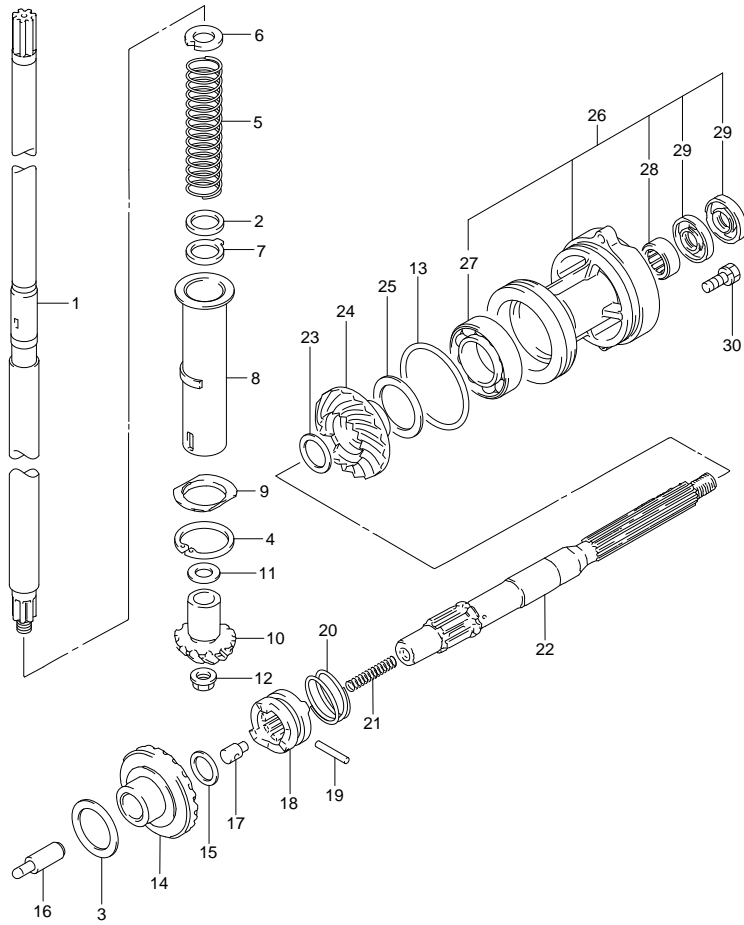
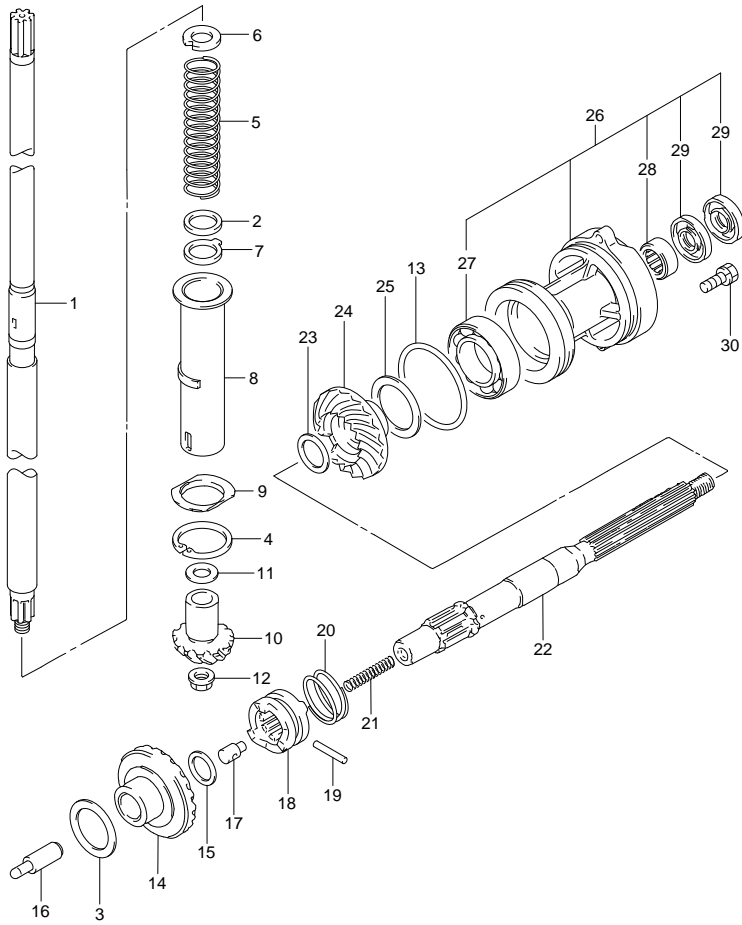


FIG.34 (1-D-11) TRANSMISSION (DT25K P36)

REF NO.	PART NO.	DESCRIPTION	Q' TY	REMARKS
18	57621-96310	SHIFTER, CLUTCH DOG	1	
19	09202-05021	PIN	1	
20	09440-35004	SPRING	1	
21	09440-07041	SPRING	1	
22	57610-96311	SHAFT, PROPELLER	1	
23-1	09160-20068	WASHER (20X25.6X1.6)	1	
23-2	09160-20069	WASHER (20X25.6X1.8)	1	
23-3	09160-20070	WASHER (20X25.6X2)	1	
23-4	09160-20071	WASHER (20X25.6X2.2)	1	
23-5	09160-20072	WASHER (20X25.6X2.4)	1	
23-6	09160-20073	WASHER (20X25.6X2.6)	1	
24	57521-89J00	GEAR, REVERSE	1	
25-1	08221-30404	THRUST WASHER (T:0.2)	2	
25-2	09181-30158	SHIM (30X40X0.5)	1	
25-3	09181-30162	SHIM (30X40X0.8)	1	
26	56120-91L00-0EP	HOUSING, PROPELLER SHAFT BRG	1	
27	08113-60060	·BEARING	1	
28	09263-20047	·BEARING (20X26X20)	1	
29	09289-20009	·OIL SEAL (20X34X6.5)	2	
30	09116-06121	BOLT (6X25)	2	

FIG.35



DT25 30 P40 012_035
TRANSMISSION

FIG.35 (1-D-12) TRANSMISSION (DT30 P40)

REF NO.	PART NO.	DESCRIPTION	Q T Y	REMARKS
1-1	57110-96313	SHAFT, DRIVE (S)	1	TRANSOM(S)
1-2	57110-96303	SHAFT, DRIVE (L)	1	TRANSOM(L)
2	08211-20253	THRUST WASHER	1	
3-1	09181-25190	SHIM (25X36X0.8)	1	
3-2	09181-25248	SHIM (25X40X0.9)	1	
3-3	09181-25251	SHIM (25X40X1)	1	
3-4	09160-25032	WASHER (25X40X1.1)	1	
3-5	09160-25033	WASHER (25X40X1.2)	1	
3-6	09160-25034	WASHER (25X40X1.3)	1	
3-7	09160-25035	WASHER (25X40X1.4)	1	
3-8	09181-25268	SHIM (25X40X1.5)	1	
4	08331-41406	CIRCLIP	1	
5	09440-25002	SPRING	1	
6	09166-17005	WASHER	1	
7	09167-20021	LOCK WASHER	1	
8	57133-96302	SPACER, PRELOAD SPRING	1	
9	57134-96301	BARRIER	1	
10	57311-96320	PINION	1	
11-1	09160-15030	WASHER (15X20X1.7)	1	
11-2	09160-15031	WASHER (15X20X1.8)	1	
11-3	09160-15032	WASHER (15X20X1.9)	1	
11-4	09160-15053	WASHER (15X20X2.3)	1	
11-5	09160-15054	WASHER (15X20X2.4)	1	
11-6	08211-15203	WASHER (T:2.0)	1	
11-7	09160-15033	WASHER (15X20X2.1)	1	
11-8	08211-15204	WASHER (T:2.2)	1	
12	09159-08046	NUT	1	
13	09280-75002	O RING (D:3.5,ID:68.6)	1	
14	57510-89J00	GEAR, FORWARD	1	
15	09181-16008	SHIM (16X24X2)	1	
16	57631-96301	ROD, PUSH	1	
17	09209-08016	PIN	1	

DT25 30 P40 012

FIG.35

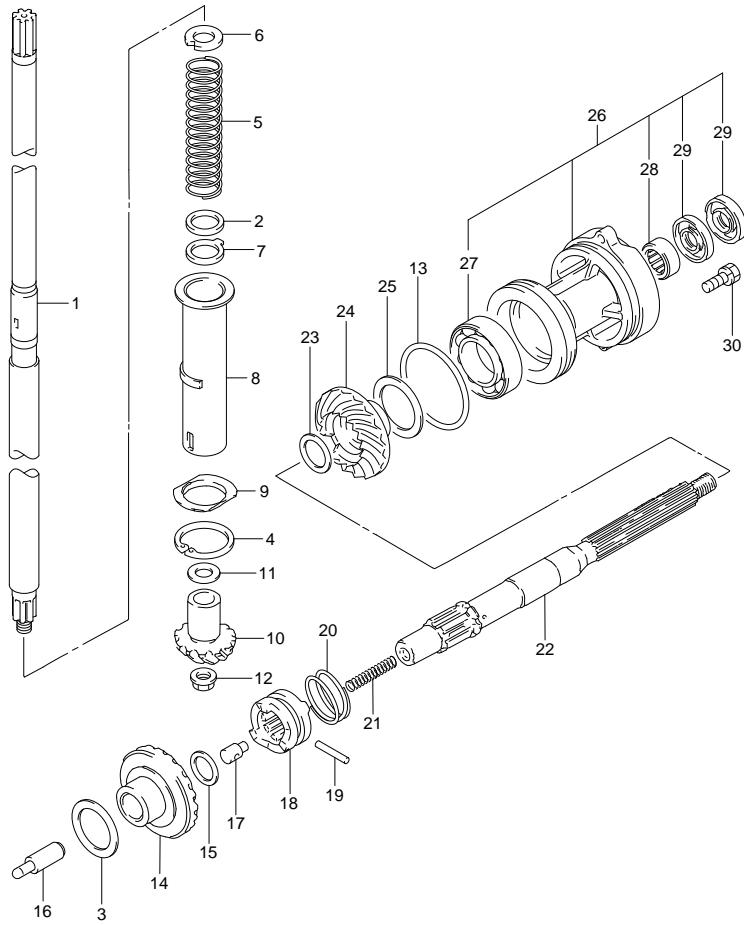


FIG.35 (1-D-13) TRANSMISSION (DT30 P40)

REF NO.	PART NO.	DESCRIPTION	Q' TY	REMARKS
18	57621-96310	SHIFTER, CLUTCH DOG	1	
19	09202-05021	PIN	1	
20	09440-35004	SPRING	1	
21	09440-07041	SPRING	1	
22	57610-96311	SHAFT, PROPELLER	1	
23-1	09160-20068	WASHER (20X25.6X1.6)	1	
23-2	09160-20069	WASHER (20X25.6X1.8)	1	
23-3	09160-20070	WASHER (20X25.6X2)	1	
23-4	09160-20071	WASHER (20X25.6X2.2)	1	
23-5	09160-20072	WASHER (20X25.6X2.4)	1	
23-6	09160-20073	WASHER (20X25.6X2.6)	1	
24	57521-89J00	GEAR, REVERSE	1	
25-1	08221-30404	THRUST WASHER (T:0.2)	2	
25-2	09181-30158	SHIM (30X40X0.5)	1	
25-3	09181-30162	SHIM (30X40X0.8)	1	
26	56120-91L00-0EP	HOUSING, PROPELLER SHAFT BRG	1	
27	08113-60060	·BEARING	1	
28	09263-20047	·BEARING (20X26X20)	1	
29	09289-20009	·OIL SEAL (20X34X6.5)	2	
30	09116-06121	BOLT (6X25)	2	

FIG.36

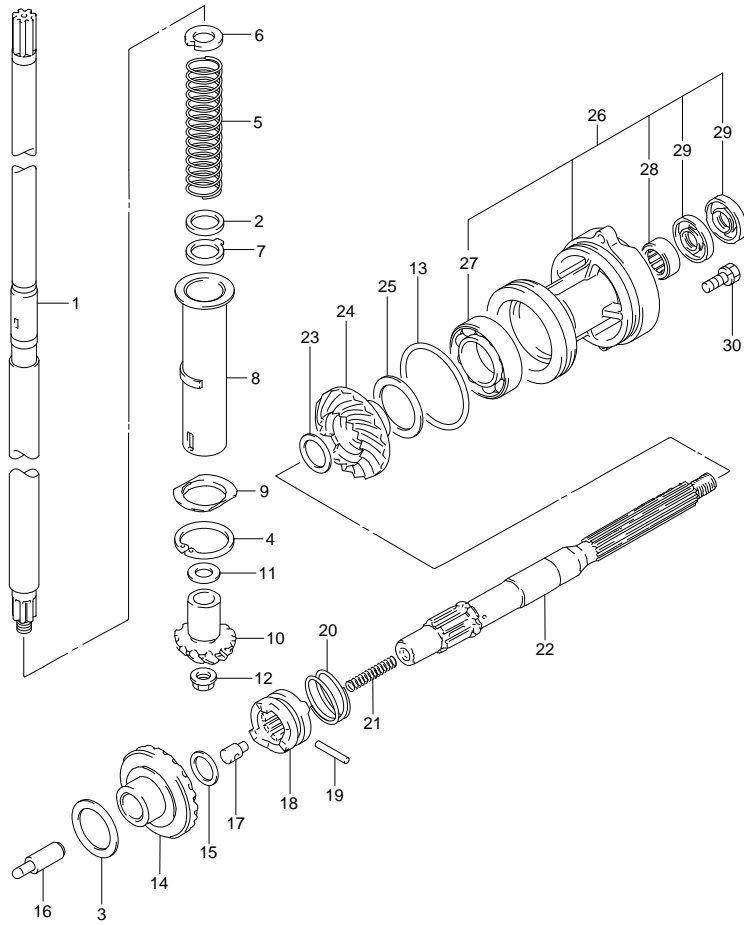


FIG.36 (1-D-14) TRANSMISSION (DT30R P40)

REF NO.	PART NO.	DESCRIPTION	Q T Y	REMARKS
1-1	57110-96313	SHAFT, DRIVE (S)	1	TRANSOM(S)
1-2	57110-96303	SHAFT, DRIVE (L)	1	TRANSOM(L)
2	08211-20253	THRUST WASHER	1	
3-1	09181-25190	SHIM (25X36X0.8)	1	
3-2	09181-25248	SHIM (25X40X0.9)	1	
3-3	09181-25251	SHIM (25X40X1)	1	
3-4	09160-25032	WASHER (25X40X1.1)	1	
3-5	09160-25033	WASHER (25X40X1.2)	1	
3-6	09160-25034	WASHER (25X40X1.3)	1	
3-7	09160-25035	WASHER (25X40X1.4)	1	
3-8	09181-25268	SHIM (25X40X1.5)	1	
4	08331-41406	CIRCLIP	1	
5	09440-25002	SPRING	1	
6	09166-17005	WASHER	1	
7	09167-20021	LOCK WASHER	1	
8	57133-96302	SPACER, PRELOAD SPRING	1	
9	57134-96301	BARRIER	1	
10	57311-96320	PINION	1	
11-1	09160-15030	WASHER (15X20X1.7)	1	
11-2	09160-15031	WASHER (15X20X1.8)	1	
11-3	09160-15032	WASHER (15X20X1.9)	1	
11-4	09160-15053	WASHER (15X20X2.3)	1	
11-5	09160-15054	WASHER (15X20X2.4)	1	
11-6	08211-15203	WASHER (T:2.0)	1	
11-7	09160-15033	WASHER (15X20X2.1)	1	
11-8	08211-15204	WASHER (T:2.2)	1	
12	09159-08046	NUT	1	
13	09280-75002	O RING (D:3.5,ID:68.6)	1	
14	57510-89J00	GEAR, FORWARD	1	
15	09181-16008	SHIM (16X24X2)	1	
16	57631-96301	ROD, PUSH	1	
17	09209-08016	PIN	1	

FIG.36

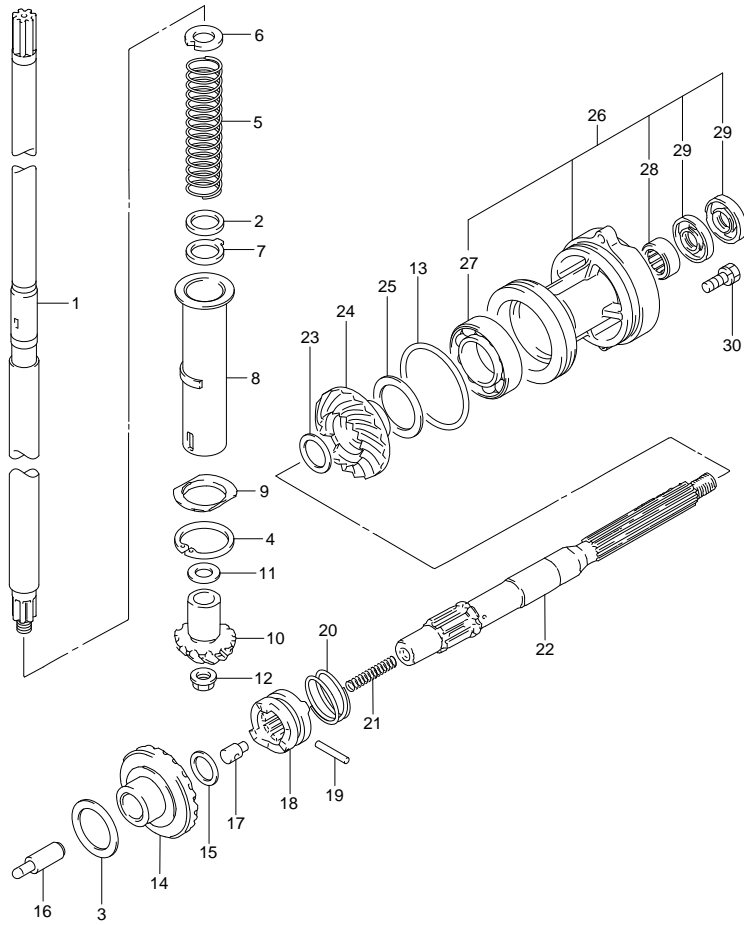


FIG.36 (1-D-15) TRANSMISSION (DT30R P40)

REF NO.	PART NO.	DESCRIPTION	Q' TY	REMARKS
18	57621-96310	SHIFTER, CLUTCH DOG	1	
19	09202-05021	PIN	1	
20	09440-35004	SPRING	1	
21	09440-07041	SPRING	1	
22	57610-96311	SHAFT, PROPELLER	1	
23-1	09160-20068	WASHER (20X25.6X1.6)	1	
23-2	09160-20069	WASHER (20X25.6X1.8)	1	
23-3	09160-20070	WASHER (20X25.6X2)	1	
23-4	09160-20071	WASHER (20X25.6X2.2)	1	
23-5	09160-20072	WASHER (20X25.6X2.4)	1	
23-6	09160-20073	WASHER (20X25.6X2.6)	1	
24	57521-89J00	GEAR, REVERSE	1	
25-1	08221-30404	THRUST WASHER (T:0.2)	2	
25-2	09181-30158	SHIM (30X40X0.5)	1	
25-3	09181-30162	SHIM (30X40X0.8)	1	
26	56120-91L00-0EP	HOUSING, PROPELLER SHAFT BRG	1	
27	08113-60060	·BEARING	1	
28	09263-20047	·BEARING (20X26X20)	1	
29	09289-20009	·OIL SEAL (20X34X6.5)	2	
30	09116-06121	BOLT (6X25)	2	

FIG.37

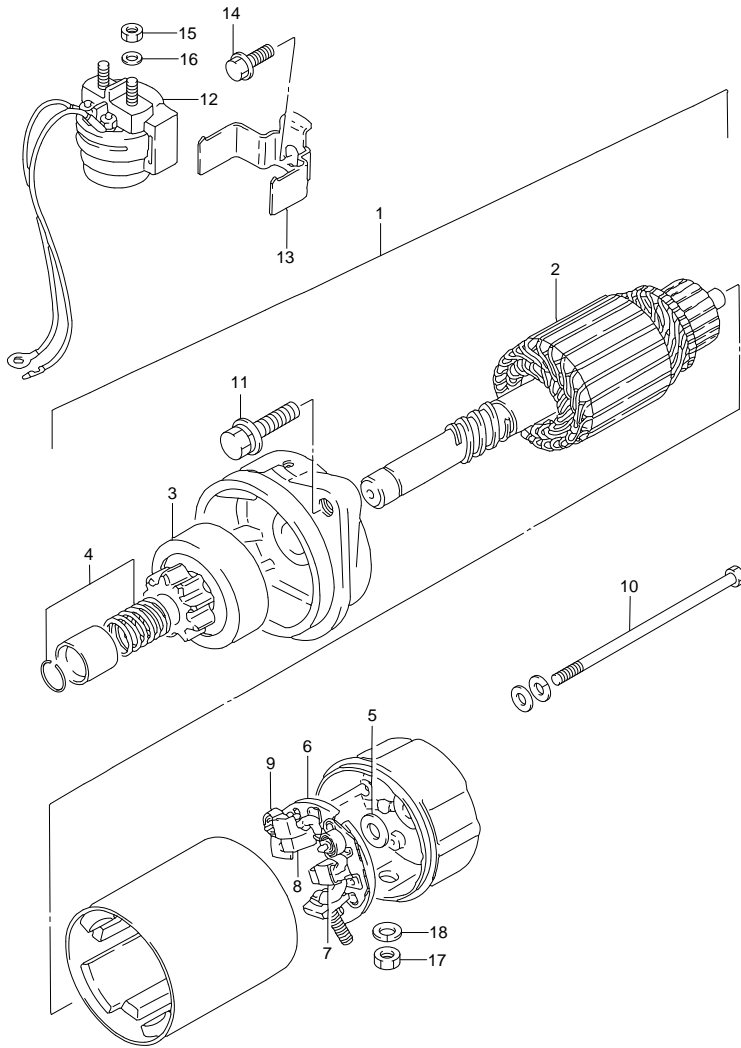


FIG.37 (1-E-2) STARTING MOTOR (DT30 P40)

REF NO.	PART NO.	DESCRIPTION	Q'TY	REMARKS
1	31100-94401	MOTOR ASSY, STARTING	1	
2	31310-96300	·ARMATURE	1	
3	31320-94400	·PISTON ASSY	1	
4	31312-96300	·STOPPER SET, PINION	1	
5	31360-96300	·WASHER	1	
6	31173-89J00	·HOLDER ASSY, BRUSH	1	
7	31131-96300	··BRUSH (+)	1	
8	31132-96300	··BRUSH (-)	1	
9	31135-89J00	··SPRING, BRUSH	2	
10	31281-93340	·BOLT	2	
11	01580-08257	BOLT	2	
12	31800-94401	RELAY ASSY, STARTING MOTOR	1	
13	31805-96350	BRACKET, STARTING MOTOR	1	
14	01550-06167	BOLT	1	
15	08310-00067	NUT	2	
16	08321-01067	WASHER	2	
17	08310-00067	NUT	1	
18	08321-01067	WASHER	1	

FIG.38

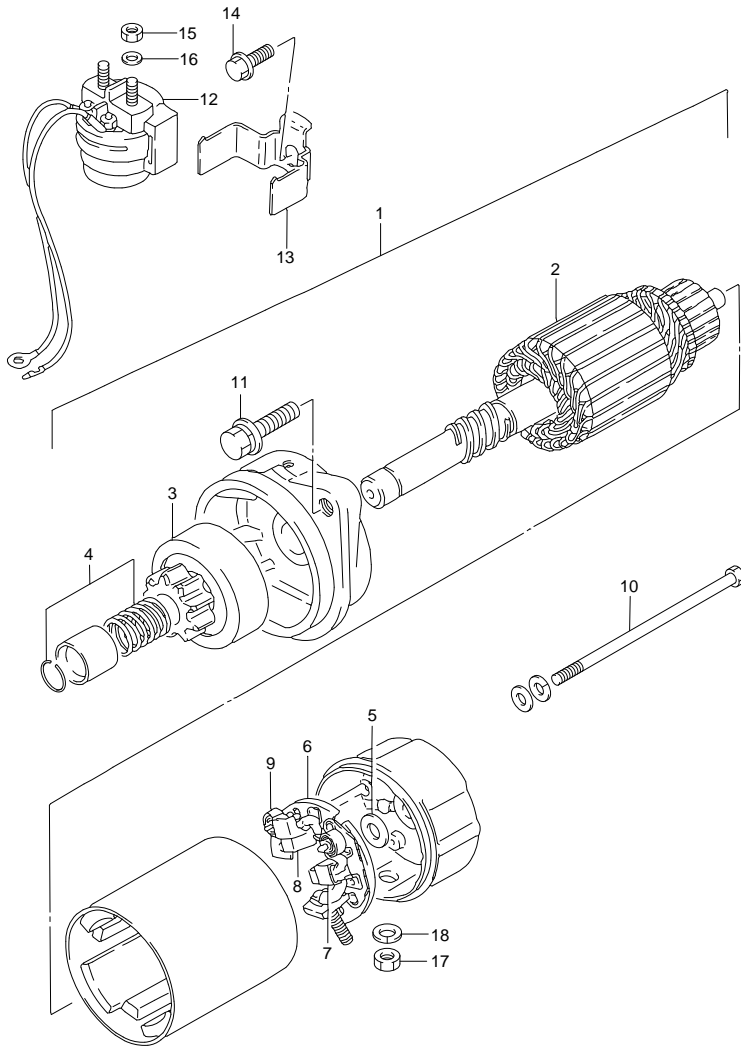


FIG.38 (1-E-3) STARTING MOTOR (DT30R P40)

REF NO.	PART NO.	DESCRIPTION	Q'TY	REMARKS
1	31100-94401	MOTOR ASSY, STARTING	1	
2	31310-96300	·ARMATURE	1	
3	31320-94400	·PISTON ASSY	1	
4	31312-96300	·STOPPER SET, PINION	1	
5	31360-96300	·WASHER	1	
6	31173-89J00	·HOLDER ASSY, BRUSH	1	
7	31131-96300	··BRUSH (+)	1	
8	31132-96300	··BRUSH (-)	1	
9	31135-89J00	··SPRING, BRUSH	2	
10	31281-93340	·BOLT	2	
11	01580-08257	BOLT	2	
12	31800-94401	RELAY ASSY, STARTING MOTOR	1	
13	31805-96350	BRACKET, STARTING MOTOR	1	
14	01550-06167	BOLT	1	
15	08310-00067	NUT	2	
16	08321-01067	WASHER	2	
17	08310-00067	NUT	1	
18	08321-01067	WASHER	1	

FIG.39

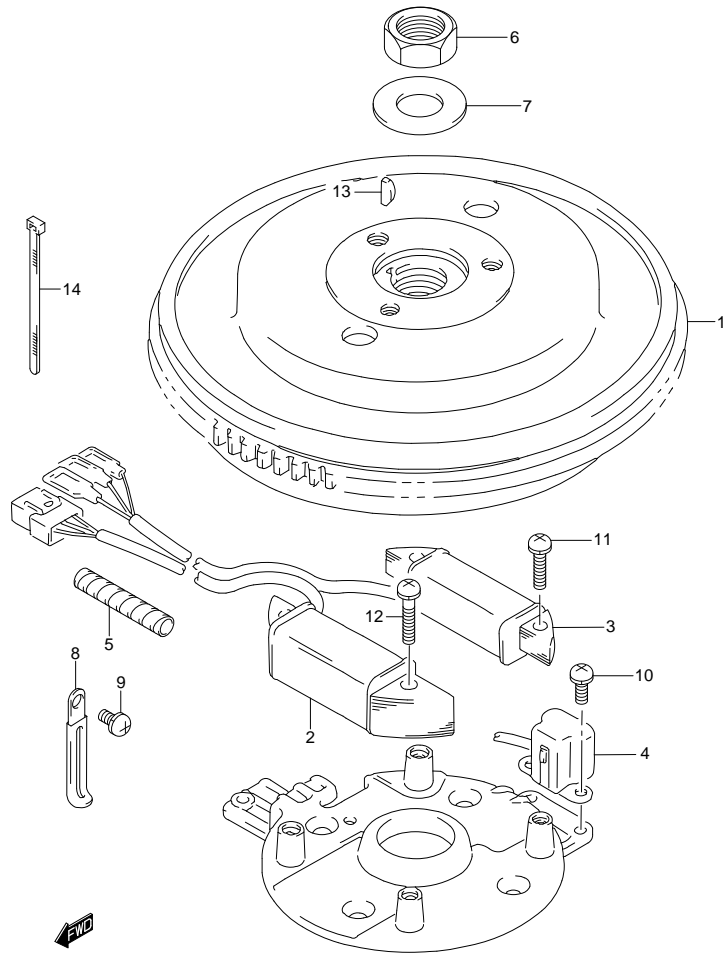


FIG.39 (1-E-4) MAGNETO (DT25K P36)

REF NO.	PART NO.	DESCRIPTION	QTY	REMARKS
1	32102-96472	FLYWHEEL	1	MANUAL STARTER
2	32120-96320	COIL, LIGHTING	1	
3	32140-96310	COIL, PRIMARY	1	
4	32150-96330	COIL, IGNITION TIMING	1	
5	33833-91J00	TUBE	1	L:250->50
6	09140-18014	NUT	1	
7	09160-18011	WASHER (18.5X35X4)	1	
8	29404-93J10	CLAMP	2	
9	02112-35087	SCREW	1	
10	02112-35127	SCREW	2	
11	02112-35207	SCREW	2	
12	02112-35257	SCREW	2	
13	09420-04008	KEY	1	
14	09407-14407	CLAMP (L:145)	1	

FIG.40

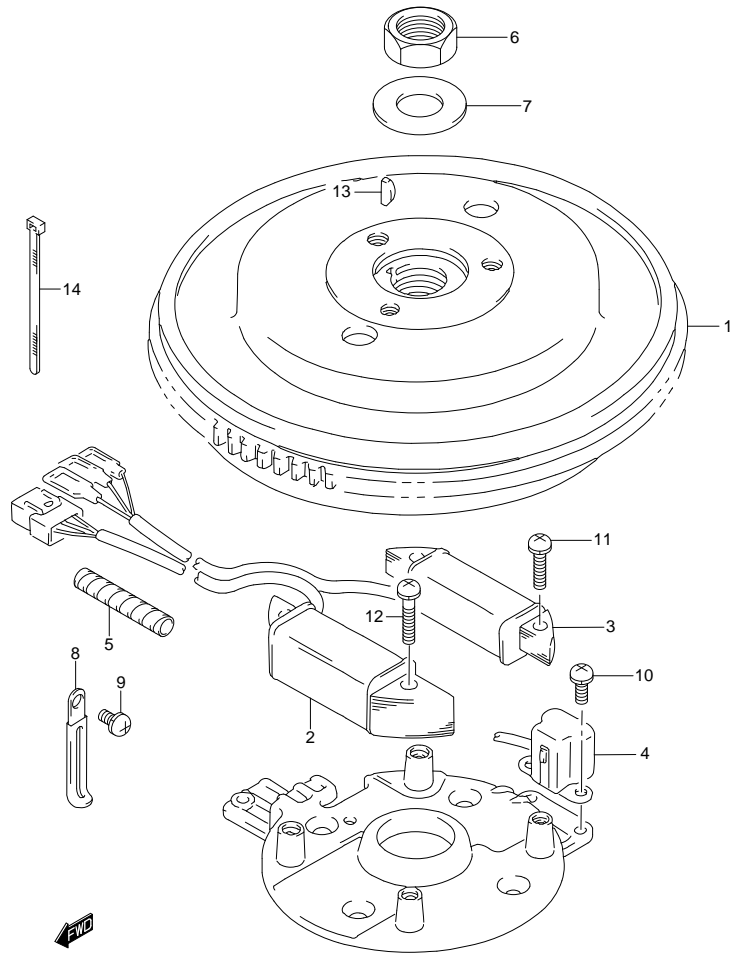


FIG.40 (1-E-5) MAGNETO (DT30 P40)

REF NO.	PART NO.	DESCRIPTION	Q' TY	REMARKS
1	32102-96462	FLYWHEEL	1	ELECTRIC STARTER
2	32120-96320	COIL, LIGHTING	1	
3	32140-96310	COIL, PRIMARY	1	
4	32150-96330	COIL, IGNITION TIMING	1	
5	33833-91J00	TUBE	1	L:250->50
6	09140-18014	NUT	1	
7	09160-18011	WASHER (18.5X35X4)	1	
8	29404-93J10	CLAMP	2	
9	02112-35087	SCREW	1	
10	02112-35127	SCREW	2	
11	02112-35207	SCREW	2	
12	02112-35257	SCREW	2	
13	09420-04008	KEY	1	
14	09407-14407	CLAMP (L:145)	1	

FIG.42

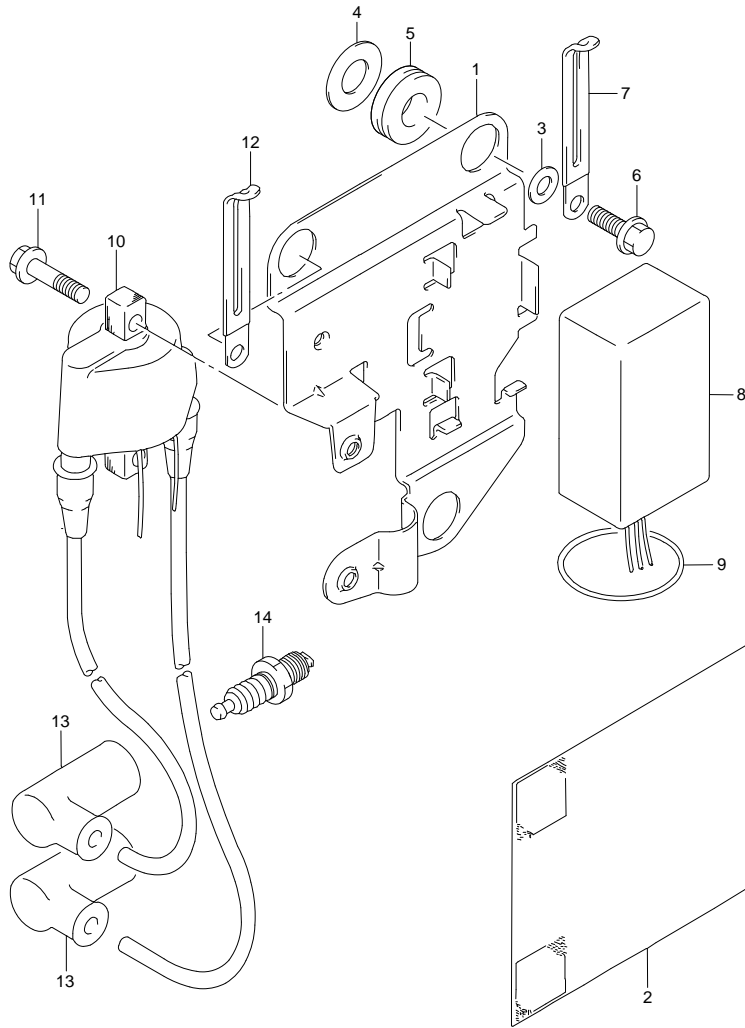


FIG.42 (1-E-7) IGNITION (DT25K P36)

REF NO.	PART NO.	DESCRIPTION	QTY	REMARKS
1	32890-96310	HOLDER, ELECTRIC PARTS	1	
2	32916-88411	COVER, CONNECTOR	1	
3	09160-06054	WASHER (6.5X22X1.6)	3	
4	09160-12007	WASHER (12.5X26X1.6)	3	
5	09320-12011	CUSHION	3	
6	01550-06127	BOLT	3	
7	29404-93J10	CLAMP	1	
8	32900-96361	UNIT, CDI	1	
9	09280-76005	O RING (D:3.5, ID:76)	1	
10	33410-96311	COIL ASSY, IGNITION	1	
11	02162-06167	BOLT	2	
12	29404-93J10	CLAMP, IGN COIL LEAD	1	
13	33510-98601	CAP, SPARK PLUG	2	
14	09482-00L06	SPARK PLUG (BR7HS-1.0)	2	

FIG.43

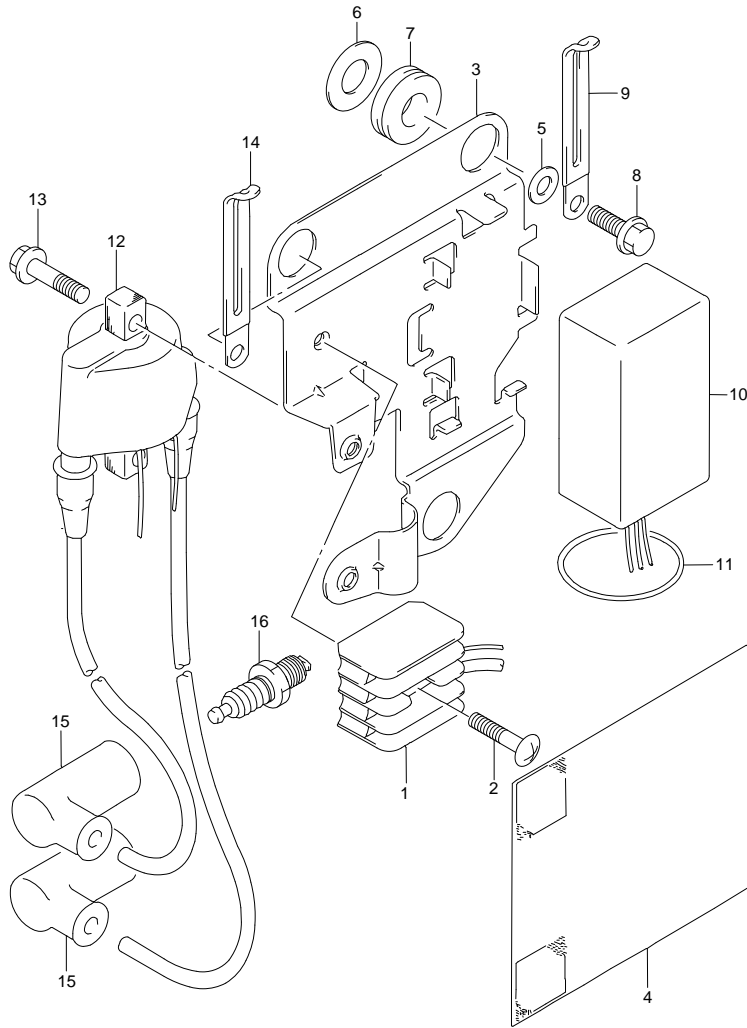


FIG.43 (1-E-8) IGNITION (DT30 P40)

REF NO.	PART NO.	DESCRIPTION	QTY	REMARKS
1	32800-95D01	RECTIFIER ASSY	1	ELECTRIC STARTER
2	02142-05257	SCREW	1	ELECTRIC STARTER
3	32890-96310	HOLDER, ELECTRIC PARTS	1	
4	32916-88411	COVER, CONNECTOR	1	
5	09160-06054	WASHER (6.5X22X1.6)	3	
6	09160-12007	WASHER (12.5X26X1.6)	3	
7	09320-12011	CUSHION	3	
8	01550-06127	BOLT	3	
9	29404-93J10	CLAMP	1	
10	32900-96371	UNIT, CDI	1	
11	09280-76005	O RING (D:3.5,ID:76)	1	
12	33410-96300	COIL ASSY, IGNITION	1	
13	02162-06167	BOLT	2	
14	29404-93J10	CLAMP, IGN COIL LEAD	1	
15	33510-98601	CAP, SPARK PLUG	2	
16	09482-00L06	SPARK PLUG (BR7HS-1.0)	2	

FIG.44

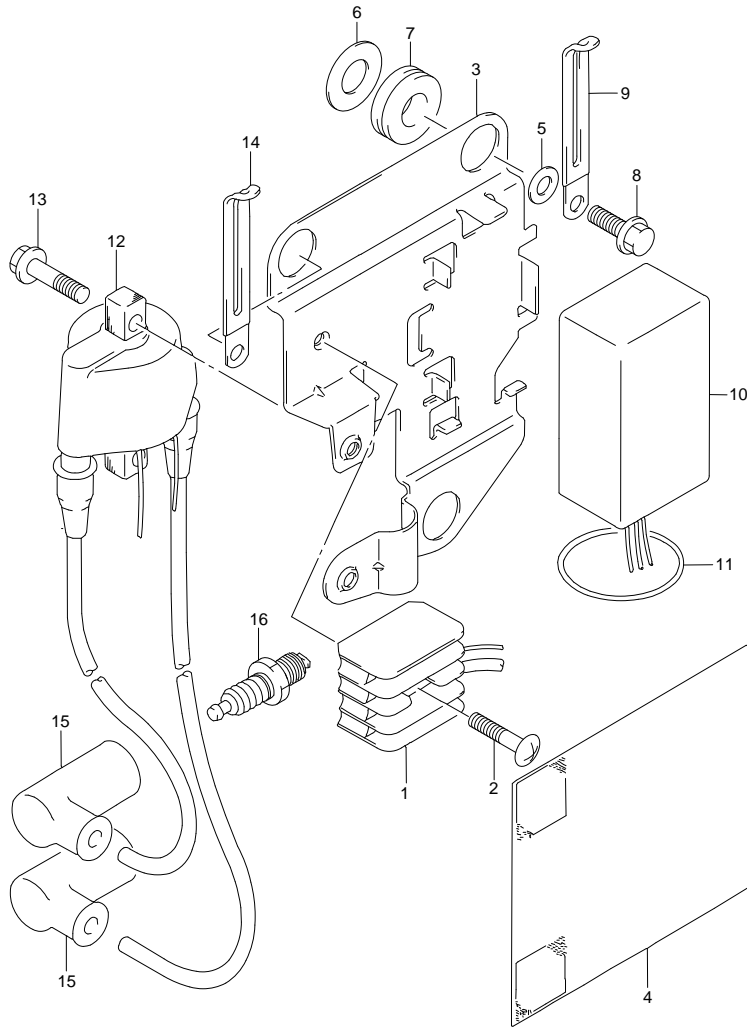


FIG.44 (1-E-9) IGNITION (DT30R P40)

REF NO.	PART NO.	DESCRIPTION	Q'TY	REMARKS
1	32800-95D01	RECTIFIER ASSY	1	
2	02142-05257	SCREW	1	
3	32890-96310	HOLDER, ELECTRIC PARTS	1	
4	32916-88411	COVER, CONNECTOR	1	
5	09160-06054	WASHER (6.5X22X1.6)	3	
6	09160-12007	WASHER (12.5X26X1.6)	3	
7	09320-12011	CUSHION	3	
8	01550-06127	BOLT	3	
9	29404-93J10	CLAMP	1	
10	32900-96371	UNIT, CDI	1	
11	09280-76005	O RING (D:3.5,ID:76)	1	
12	33410-96300	COIL ASSY, IGNITION	1	
13	02162-06167	BOLT	2	
14	29404-93J10	CLAMP, IGN COIL LEAD	1	
15	33510-98601	CAP, SPARK PLUG	2	
16	09482-00L06	SPARK PLUG (BR7HS-1.0)	2	

FIG.45

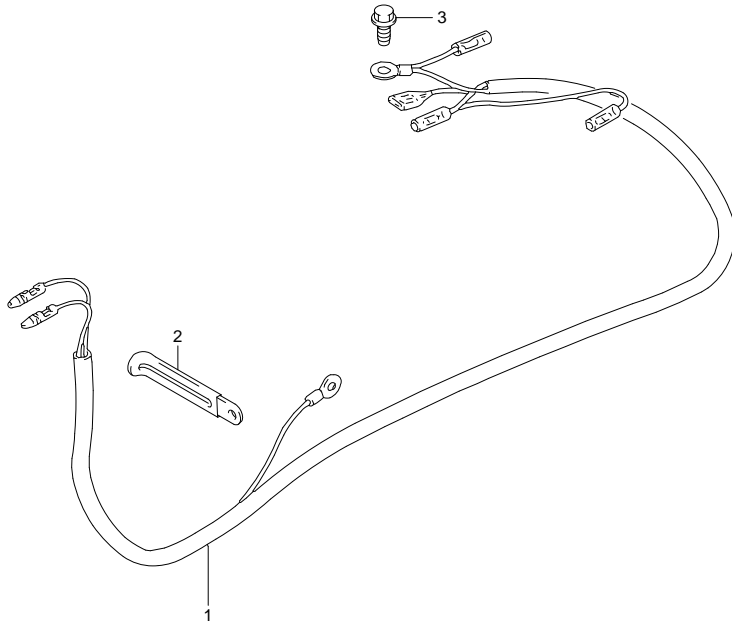


FIG.45 (1-E-10) HARNESS (DT25K P36)

REF NO.	PART NO.	DESCRIPTION	QTY	REMARKS
1	36610-96303	WIRING HARNESS	1	
2	29404-93J10	CLAMP	1	
3	09103-06049	BOLT (6X12)	1	GROUND

FIG.46

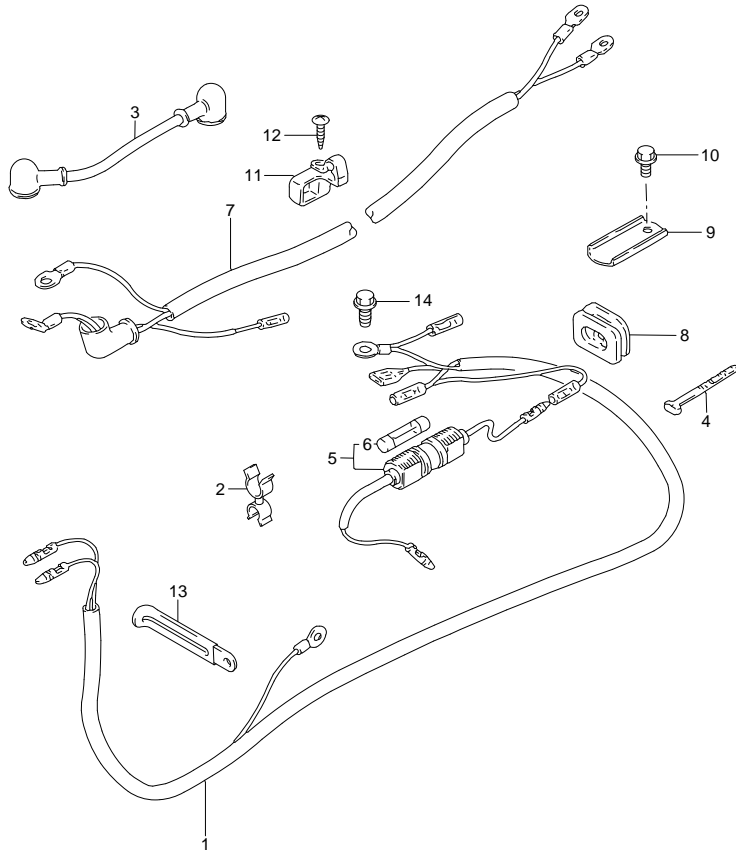


FIG.46 (1-E-11) HARNESS (DT30 P40)

REF NO.	PART NO.	DESCRIPTION	QTY	REMARKS
1	36610-96303	WIRING HARNESS	1	
2	09408-00045	CLAMP	1	ELECTRIC STARTER
3	33820-89E01	CABLE ASSY, STARTER MOTOR SUB	1	ELECTRIC STARTER
4	09407-14403	CLAMP (L:125)	1	ELECTRIC STARTER
5	36740-95253	FUSE CASE ASSY	1	ELECTRIC STARTER
6	09481-20001	FUSE (20A)	1	ELECTRIC STARTER
7	33810-96305	CABLE, STARTER	1	ELECTRIC STARTER
8	33811-96300	GROMMET, STARTER CABLE	1	ELECTRIC STARTER
9	33815-94501	PROTECTOR, CABLE	1	ELECTRIC STARTER
10	09103-06049	BOLT (6X12)	1	ELECTRIC STARTER
11	33816-96300	CLAMP, STARTER CABLE	1	ELECTRIC STARTER
12	03241-0625A	SCREW	1	ELECTRIC STARTER
13	29404-93J10	CLAMP	1	
14-1	09103-06049	BOLT (6X12)	1	HARNESS, ELECTRIC STARTER
14-2	09103-06049	BOLT (6X12)	1	GROUND, MANUAL STARTER

FIG.47

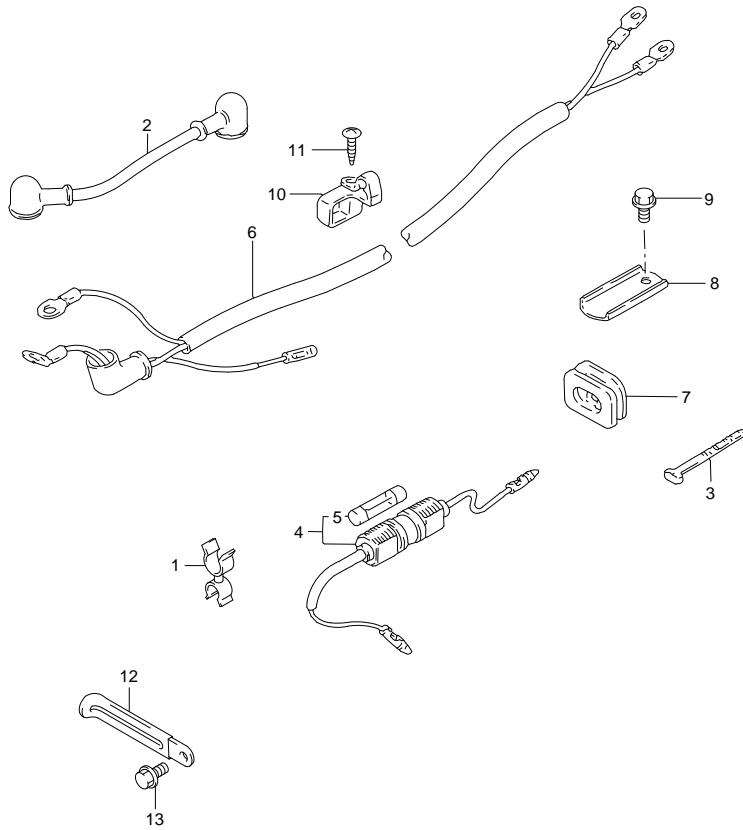


FIG.47 (1-E-12) HARNESS (DT30R P40)

REF NO.	PART NO.	DESCRIPTION	Q'TY	REMARKS
1	09408-00045	CLAMP	1	
2	33820-89E01	CABLE ASSY, STARTER MOTOR SUB	1	
3	09407-14403	CLAMP (L:125)	1	
4	36740-95253	FUSE CASE ASSY	1	
5	09481-20001	·FUSE (20A)	1	
6	33810-96305	CABLE, STARTER	1	
7	33811-96300	GROMMET, STARTER CABLE	1	
8	33815-94501	PROTECTOR, CABLE	1	
9	09103-06049	BOLT (6X12)	1	
10	33816-96300	CLAMP, STARTER CABLE	1	
11	03241-0625A	SCREW	1	
12	29404-93J10	CLAMP	1	
13	09103-06049	BOLT (6X12)	1	HARNESS

FIG.48

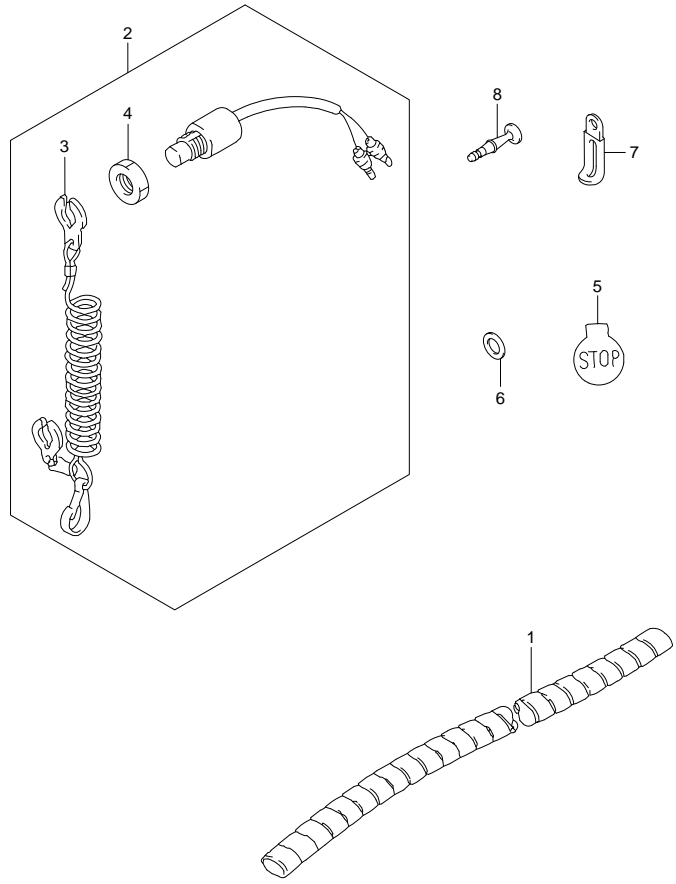


FIG.48 (1-E-13) SWITCH (DT25K P36)

REF NO.	PART NO.	DESCRIPTION	Q'TY	REMARKS
1	33833-91J00	TUBE, WIRING HARNESS (L:250)	1	L:250->50
2	37830-92L00	SWITCH, EMERGENCY & STOP	1	
3	37823-92E01	·PLATE, LOCK	1	
4	37826-92E00	·NUT	1	
5	37835-95D00	LABEL, STOP	1	
6	09160-16053	SPACER, EMERGENCY & STOP SWITCH HOLE	1	
6A	56123-986L0	WASHER, EMERGENCY & STOP SW	1	
7	09404-12201	CLAMP (L:73)	1	
8	36615-96300	TERMINAL, RESIN	1	

FIG.49

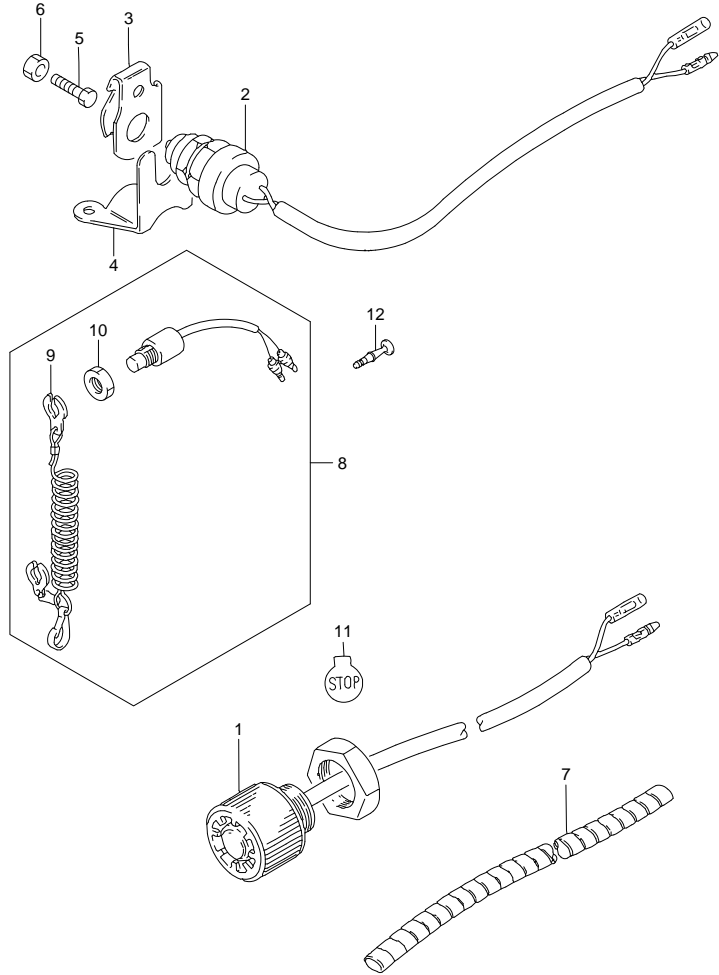


FIG.49 (1-E-14) SWITCH (DT30 P40)

REF NO.	PART NO.	DESCRIPTION	Q'TY	REMARKS
1	37160-96322	SWITCH, START	1	ELECTRIC STARTER
2	37721-96354	SWITCH, NEUTRAL	1	ELECTRIC STARTER
3	37725-94302	ACTUATOR, NEUTRAL SWITCH	1	ELECTRIC STARTER
4	37726-96303	BRACKET, NEUTRAL SWITCH	1	ELECTRIC STARTER
5	09100-05104	BOLT (5X20)	1	ELECTRIC STARTER
6	09140-05005	NUT	1	ELECTRIC STARTER
7	33833-91J00	TUBE, WIRING HARNESS (L:250)	1	L:250->50
8	37830-92L00	SWITCH, EMERGENCY & STOP	1	
9	37823-92E01	·PLATE, LOCK	1	
10	37826-92E00	·NUT	1	
11	37835-95D00	LABEL, STOP	1	
12	36615-96300	TERMINAL, RESIN	1	

FIG.50

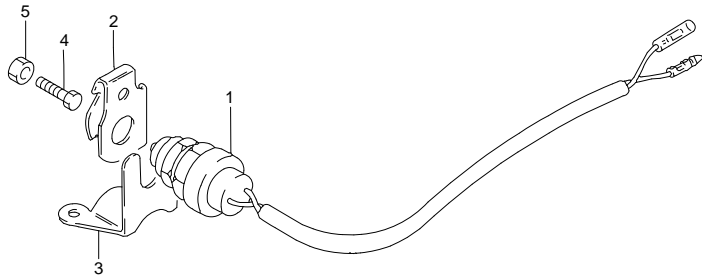


FIG.50 (1-E-15) SWITCH (DT30R P40)

REF NO.	PART NO.	DESCRIPTION	Q' TY	REMARKS
1	37721-96354	SWITCH, NEUTRAL	1	
2	37725-94302	ACTUATOR, NEUTRAL SWITCH	1	
3	37726-96303	BRACKET, NEUTRAL SWITCH	1	
4	09100-05104	BOLT (5X20)	1	
5	09140-05005	NUT	1	
6	38600-96301	SOLENOID, CHOKE	1	
7	02112-35127	SCREW	2	
8	33833-91J00	TUBE, WIRING HARNESS (L:250)	1	L:250→50
9	36630-96311	WIRING HARNESS, REMO-CON 1	1	
10	36630-96321	WIRING HARNESS, REMO-CON 2	1	
11	36631-94300	·CAP	1	
12	36612-93900	GROMMET, REMOCON HARNESS	1	

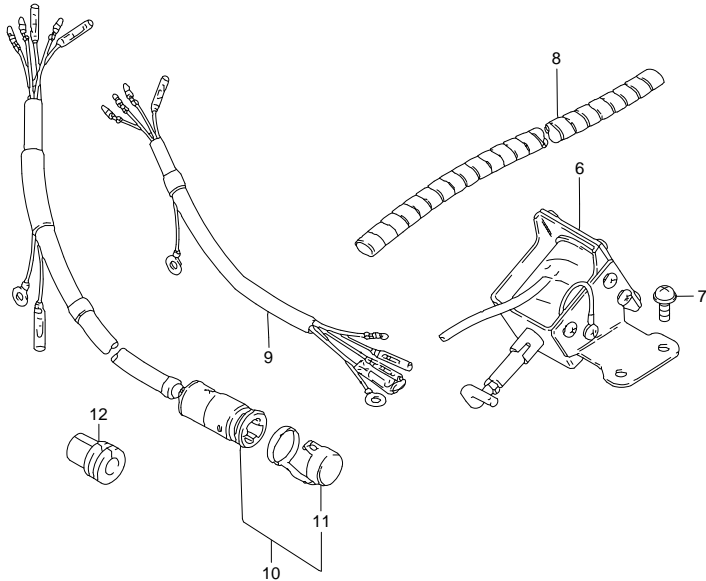


FIG.51

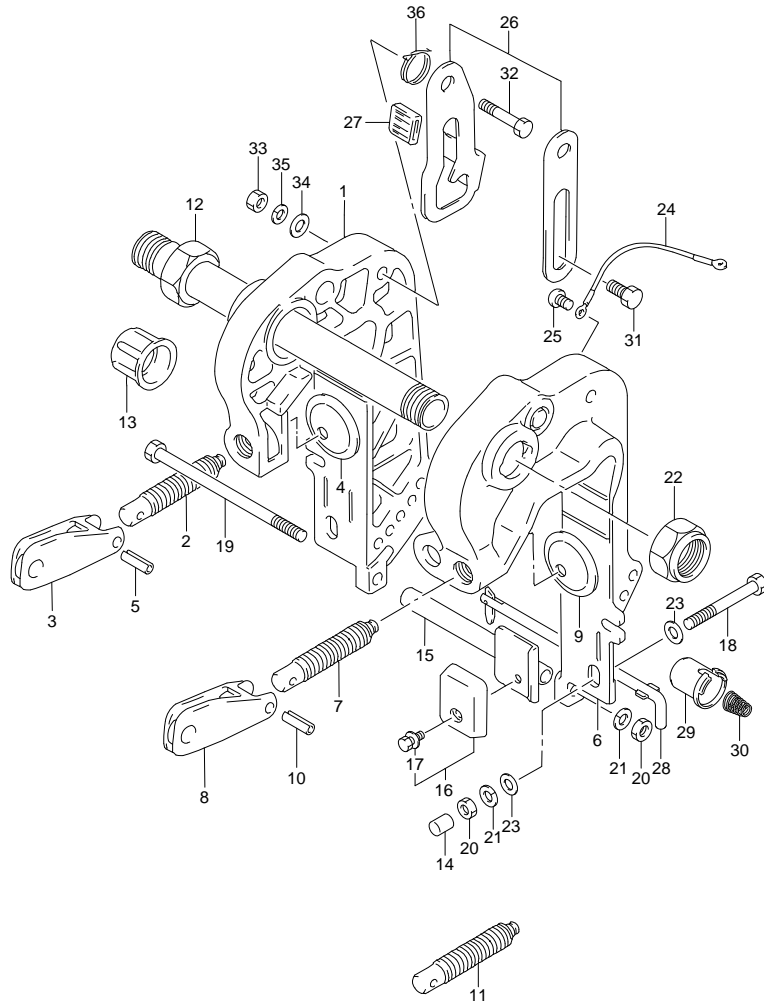


FIG.51 (1-F-2) CLAMP BRACKET

REF NO.	PART NO.	DESCRIPTION	Q' TY	REMARKS
1	41111-91L00-0EP	BRACKET, CLAMP STBD	1	
2	41211-93003	SCREW, CLAMP	1	
3	41212-91L00-0EP	HANDLE, CLAMP	1	
4	41213-98100	PLATE, CLAMP	1	
5	09205-06007	PIN	1	
6	41121-91L00-0EP	BRACKET, CLAMP PORT	1	
7	41211-93003	SCREW, CLAMP	1	
8	41212-91L00-0EP	HANDLE, CLAMP	1	
9	41213-98100	PLATE, CLAMP	1	
10	09205-06007	PIN	1	
11-1	41211-93900	SCREW, CLAMP	2	OPT
11-2	41211-93003	SCREW, CLAMP	2	OPT
11-3	41211-93920	SCREW, CLAMP	2	OPT
12	41130-96361	SHAFT, CLAMP BRACKET	1	
13	41151-94500	CAP, CLAMP BRACKET SHAFT	2	
14	41153-96300	CAP, TRANSOM BOLT	2	
15	41310-96310	ROD, CLAMP BRACKET LOWER	1	
16	55320-95311	ZINC SET, PROTECTION	1	
17	09116-06094	BOLT (6X15)	1	
18	09100-08239	BOLT (8X90)	2	
19	09100-08295	BOLT (8X165)	1	
20	09140-08023-XC0	NUT	3	
21	29162-93J10	WASHER, LOCK (8.2X15.4X2.0)	3	
22	09159-22006	NUT	1	
23	09160-08081	WASHER (8.5X23X1.5)	4	
24	36894-95201	LEAD	1	
25	29125-93J10	SCREW (5X8)	2	

FIG.51

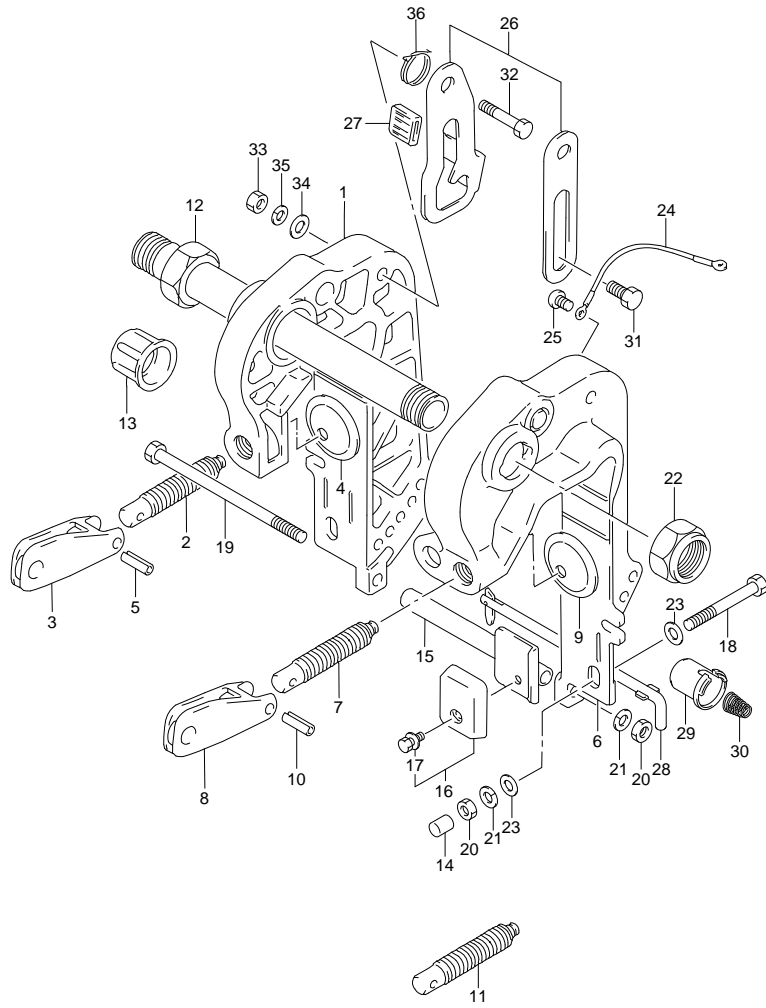


FIG.51 (1-F-3) CLAMP BRACKET

REF NO.	PART NO.	DESCRIPTION	QTY	REMARKS
26	41200-95D00	ARM, TILT LOCK	1	
27	41225-94400	RUBBER, TILT LOCK ARM	1	
28	45420-91L00	PIN, TILT LOCK	1	
29	45425-94J00	STOPPER, TILT LOCK PIN	1	
30	09441-17001	SPRING	1	
31	09111-10032	BOLT (10X20.4)	2	
32	09111-10055	BOLT (10X48.5)	2	
33	29141-93J20	NUT	2	
34	09160-10082	WASHER (10.5X19X2)	2	
35	09162-10005	LOCK WASHER	2	
36	09448-29015	SPRING	1	

FIG.52

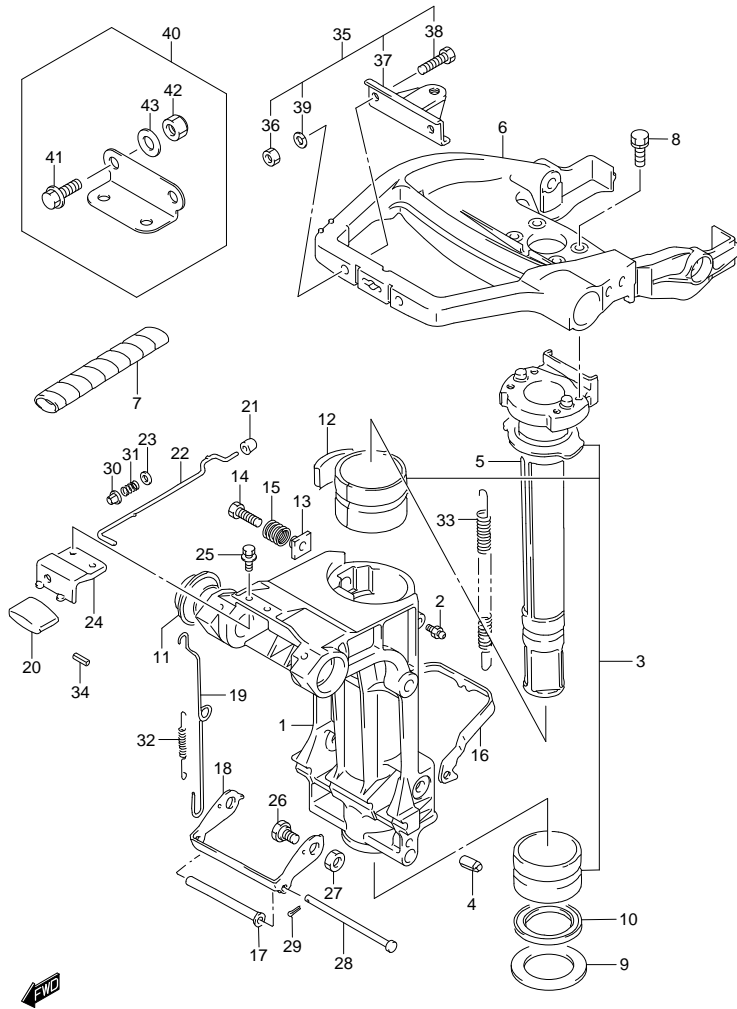


FIG.52 (1-F-4) SWIVEL BRACKET (DT25K P36)

REF NO.	PART NO.	DESCRIPTION	Q'TY	REMARKS
1	43111-91L00-0EP	BRACKET, SWIVEL	1	
2	22511-99011	NIPPLE, CLUTCH BODY	4	
3	43710-96300	BUSH SET, STEERING	1	OPT
4	09205-06013	SPRING	1	
5	43741-91L00-0EP	SHAFT, PILOT	1	
6	43751-91L00-0EP	BRACKET, STEERING	1	
7	43753-96310	TUBE, THROTTLE CABLE	1	
8	09117-08074	BOLT (8X22)	4	
9	09160-40005	WASHER (40X58X2)	1	
10	09284-40001	OIL SEAL (40X49X4)	1	
11	09306-22004	BUSH	2	
12	43411-96300	ADJUSTER, STEERING	1	
13	43421-96302	BUSH	1	
14	09119-08044	BOLT (8X23)	1	
15	09440-12036	SPRING	1	
16	45231-96302	ARM, REVERSE LOCK	1	
17	45246-96302	SPACER	1	
18	45241-96303	LINK, REVERSE LOCK ARM	1	
19	45252-96303	LINK, RELEASE LEVER	1	
20	45255-96302	KNOB, RELEASE LEVER	1	
21	45257-96300	BUSH, RELEASE LEVER	1	
22	45260-96300	LEVER, RELEASE	1	
23	09160-04012	WASHER (4.2X10X1)	1	
24	45311-96303-0EP	BRACKET, RELEASE LEVER	1	
25	09116-05010	BOLT (5X12)	2	
26	09111-10034	BOLT (10X16.5)	2	
27	09140-10032	NUT	2	
28	09200-05011	PIN	1	

FIG.52

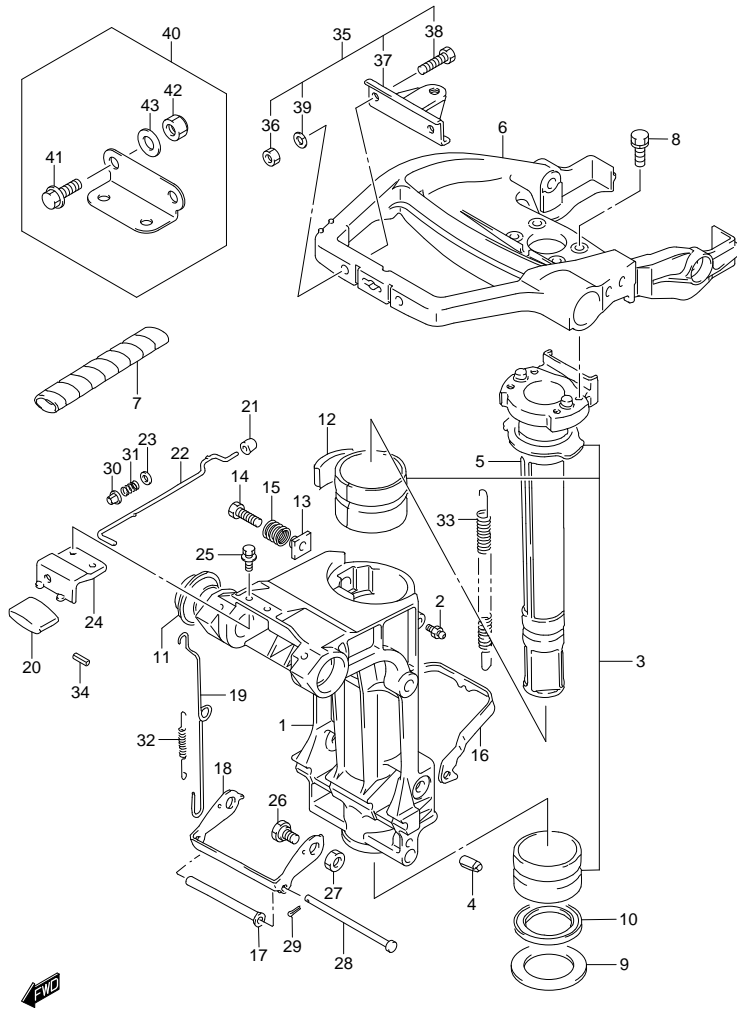
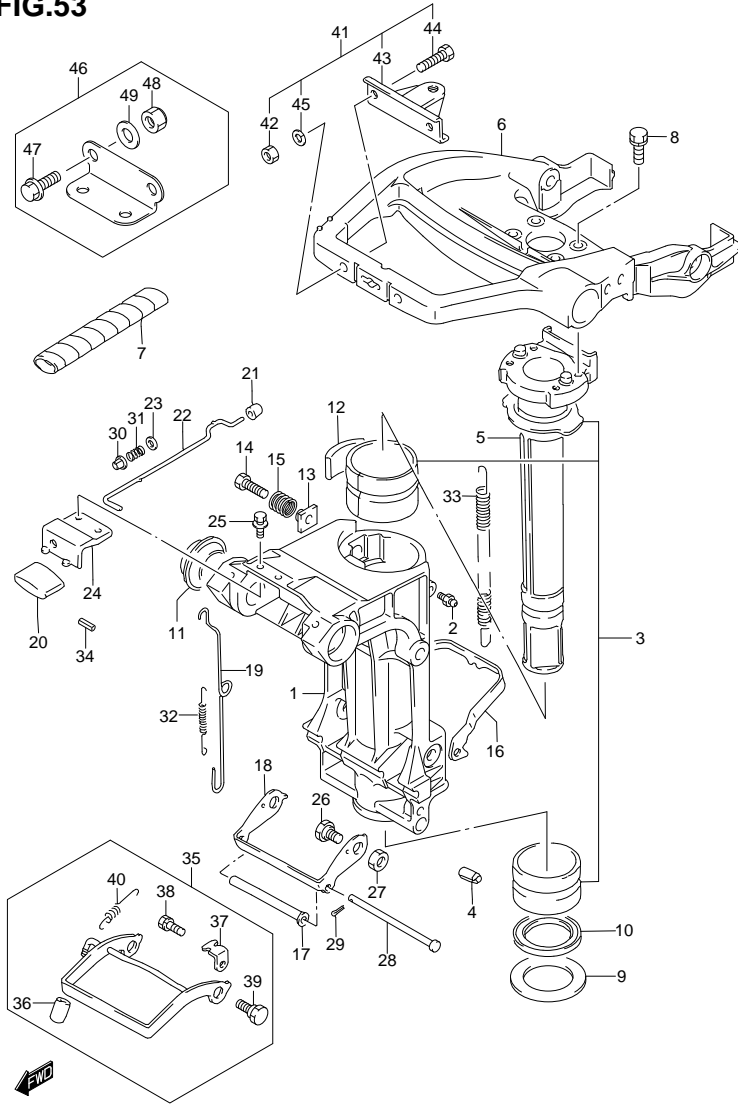


FIG.52 (1-F-5) SWIVEL BRACKET (DT25K P36)

REF NO.	PART NO.	DESCRIPTION	Q'TY	REMARKS
29	09204-01002	COTTER PIN	1	
30	09319-04001	BUSH	1	
31	09440-04021	SPRING	1	
32	09443-05013	SPRING	1	
33	09443-09036	SPRING	1	
34	09205-02006	SPRING	1	
35	67100-96300	ATTACHMENT, STEERING ROPE END	1	OPT
36	09140-08023-XC0	·NUT	2	OPT
37	43755-96320	·ATTACHMENT, STEERING BRACKET	1	OPT
38	29101-93J00	·BOLT (8X35)	2	OPT
39	29162-93J10	·LOCK WASHER	2	OPT
40	67110-99710	ATTACHMENT SET, STRG ROPE END	1	OPT
41	29116-93J10	·BOLT	2	OPT
42	09159-08059	·NUT	2	OPT
43	09160-08082	·WASHER (8.5X16X1.2)	2	OPT

FIG.53



DT25 30 P40 012_053
SWIVEL BRACKET

FIG.53 (1-F-6) SWIVEL BRACKET (DT30 P40)

REF NO.	PART NO.	DESCRIPTION	QTY	REMARKS
1	43111-91L00-0EP	BRACKET, SWIVEL	1	
2	22511-99011	NIPPLE, CLUTCH BODY	4	
3	43710-96300	BUSH SET, STEERING	1	OPT
4	09205-06013	SPRING	1	
5	43741-91L00-0EP	SHAFT, PILOT	1	
6	43751-91L00-0EP	BRACKET, STEERING	1	
7	43753-96310	TUBE, THROTTLE CABLE	1	
8	09117-08074	BOLT (8X22)	4	
9	09160-40005	WASHER (40X58X2)	1	
10	09284-40001	OIL SEAL (40X49X4)	1	
11	09306-22004	BUSH	2	
12	43411-96300	ADJUSTER, STEERING	1	
13	43421-96302	BUSH	1	
14	09119-08044	BOLT (8X23)	1	
15	09440-12036	SPRING	1	
16	45231-96302	ARM, REVERSE LOCK	1	
17	45246-96302	SPACER	1	
18	45241-96303	LINK, REVERSE LOCK ARM	1	
19	45252-96303	LINK, RELEASE LEVER	1	
20	45255-96302	KNOB, RELEASE LEVER	1	
21	45257-96300	BUSH, RELEASE LEVER	1	
22	45260-96300	LEVER, RELEASE	1	
23	09160-04012	WASHER (4.2X10X1)	1	
24	45311-96303-0EP	BRACKET, RELEASE LEVER	1	
25	09116-05010	BOLT (5X12)	2	
26	09111-10034	BOLT (10X16.5)	2	
27	09140-10032	NUT	2	
28	09200-05011	PIN	1	

FIG.53

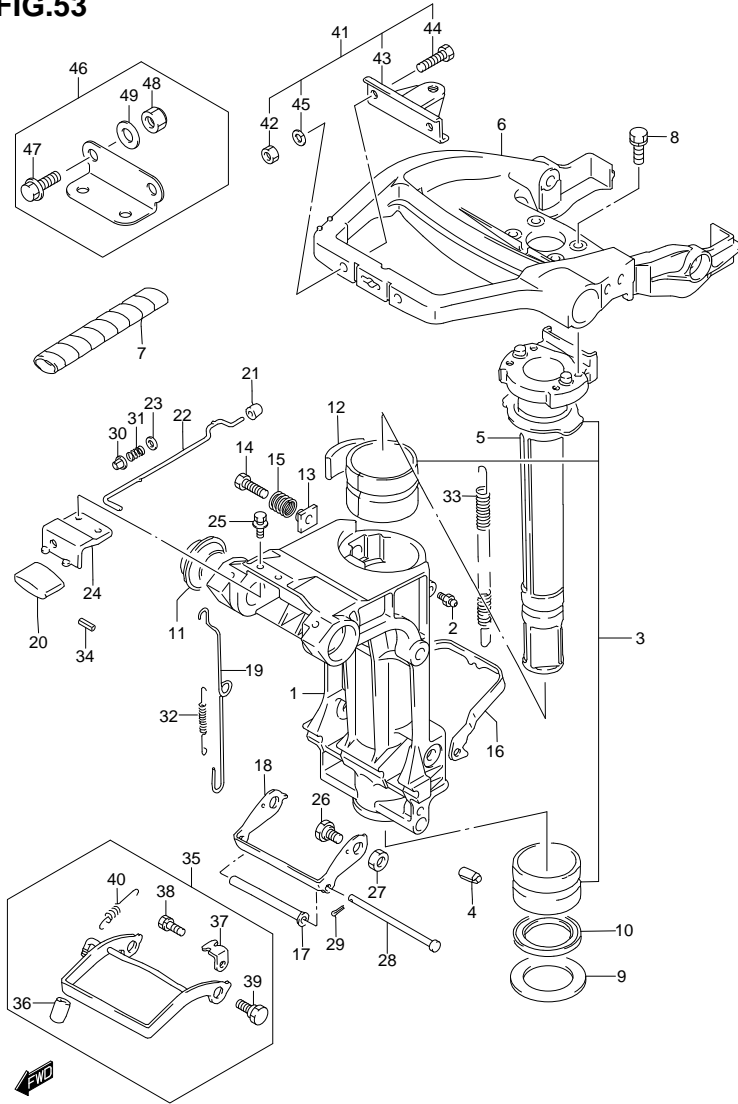


FIG.53 (1-F-7) SWIVEL BRACKET (DT30 P40)

REF NO.	PART NO.	DESCRIPTION	QTY	REMARKS
29	09204-01002	COTTER PIN	1	
30	09319-04001	BUSH	1	
31	09440-04021	SPRING	1	
32	09443-05013	SPRING	1	
33	09443-09036	SPRING	1	
34	09205-02006	SPRING	1	
35	45700-91L00	SHALLOW DRIVE ASSY	1	
36	45255-95500	·KNOB	1	
37	45731-96312	·PLATE	1	
38	09117-06030	·BOLT (6X16)	1	
39	09111-10045	·BOLT (10X20.8)	2	
40	09443-08031	·SPRING	1	
41	67100-96300	ATTACHMENT, STEERING ROPE END	1	OPT
42	09140-08023-XC0	·NUT	2	OPT
43	43755-96320	·ATTACHMENT, STEERING BRACKET	1	OPT
44	29101-93J00	·BOLT (8X35)	2	OPT
45	29162-93J10	·LOCK WASHER	2	OPT
46	67110-99710	ATTACHMENT SET, STRG ROPE END	1	OPT
47	29116-93J10	·BOLT	2	OPT
48	09159-08059	·NUT	2	OPT
49	09160-08082	·WASHER (8.5X16X1.2)	2	OPT

FIG.54

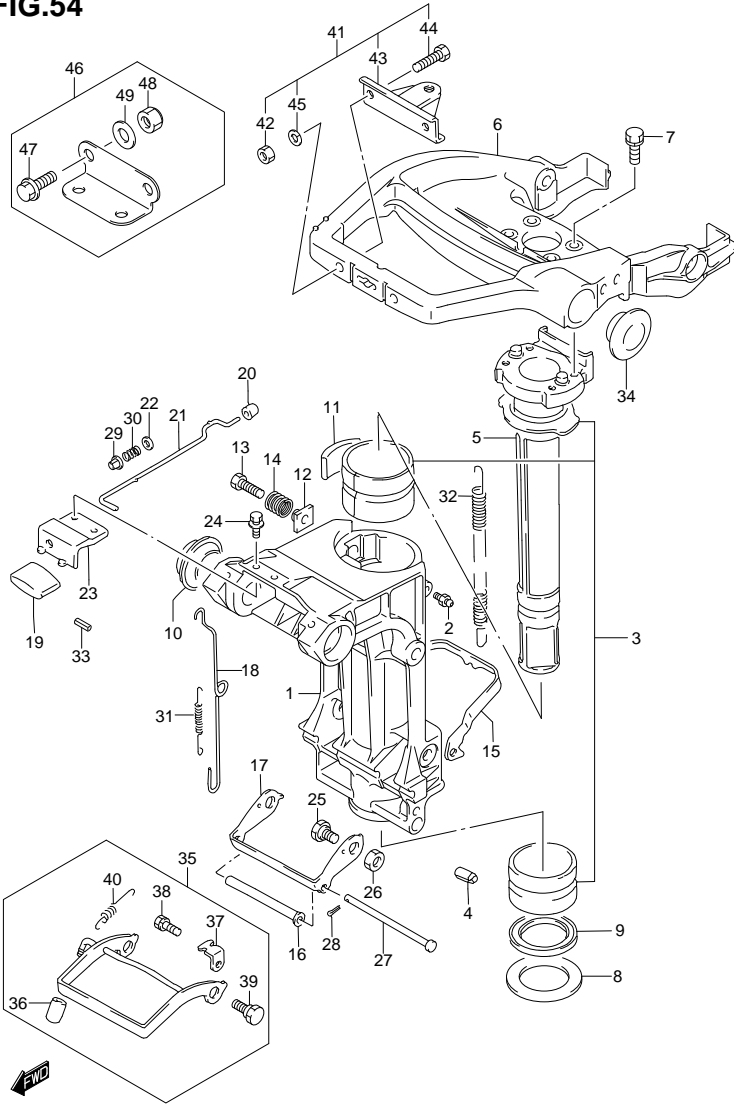


FIG.54 (1-F-8) SWIVEL BRACKET (DT30R P40)

REF NO.	PART NO.	DESCRIPTION	QTY	REMARKS
1	43111-91L00-0EP	BRACKET, SWIVEL	1	
2	22511-99011	NIPPLE, CLUTCH BODY	4	
3	43710-96300	BUSH SET, STEERING	1	OPT
4	09205-06013	SPRING	1	
5	43741-91L00-0EP	SHAFT, PILOT	1	
6	43751-91L00-0EP	BRACKET, STEERING	1	
7	09117-08074	BOLT (8X22)	4	
8	09160-40005	WASHER (40X58X2)	1	
9	09284-40001	OIL SEAL (40X49X4)	1	
10	09306-22004	BUSH	2	
11	43411-96300	ADJUSTER, STEERING	1	
12	43421-96302	BUSH	1	
13	09119-08044	BOLT (8X23)	1	
14	09440-12036	SPRING	1	
15	45231-96302	ARM, REVERSE LOCK	1	
16	45246-96302	SPACER	1	
17	45241-96303	LINK, REVERSE LOCK ARM	1	
18	45252-96303	LINK, RELEASE LEVER	1	
19	45255-96302	KNOB, RELEASE LEVER	1	
20	45257-96300	BUSH, RELEASE LEVER	1	
21	45260-96300	LEVER, RELEASE	1	
22	09160-04012	WASHER (4.2X10X1)	1	
23	45311-96303-0EP	BRACKET, RELEASE LEVER	1	
24	09116-05010	BOLT (5X12)	2	
25	09111-10034	BOLT (10X16.5)	2	
26	09140-10032	NUT	2	
27	09200-05011	PIN	1	

FIG.54

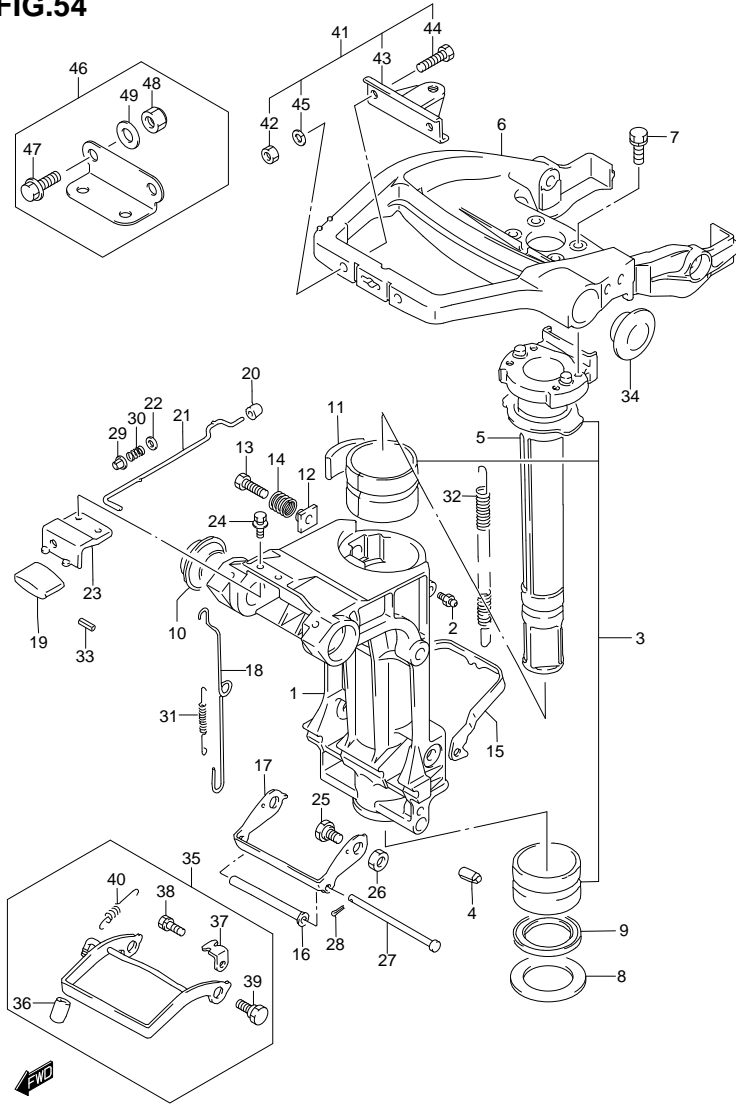


FIG.54 (1-F-9) SWIVEL BRACKET (DT30R P40)

REF NO.	PART NO.	DESCRIPTION	QTY	REMARKS
28	09204-01002	COTTER PIN	1	
29	09319-04001	BUSH	1	
30	09440-04021	SPRING	1	
31	09443-05013	SPRING	1	
32	09443-09036	SPRING	1	
33	09205-02006	SPRING	1	
34	09250-33001	CAP	1	
35	45700-91L00	SHALLOW DRIVE ASSY	1	
36	45255-95500	·KNOB	1	
37	45731-96312	·PLATE	1	
38	09117-06030	·BOLT (6X16)	1	
39	09111-10045	·BOLT (10X20.8)	2	
40	09443-08031	·SPRING	1	
41	67100-96300	ATTACHMENT, STEERING ROPE END	1	OPT
42	09140-08023-XCO	·NUT	2	OPT
43	43755-96320	·ATTACHMENT, STEERING BRACKET	1	OPT
44	29101-93J00	·BOLT (8X35)	2	OPT
45	29162-93J10	·LOCK WASHER	2	OPT
46	67110-99710	ATTACHMENT SET, STRG ROPE END	1	OPT
47	29116-93J10	·BOLT	2	OPT
48	09159-08059	·NUT	2	OPT
49	09160-08082	·WASHER (8.5X16X1.2)	2	OPT

FIG.55

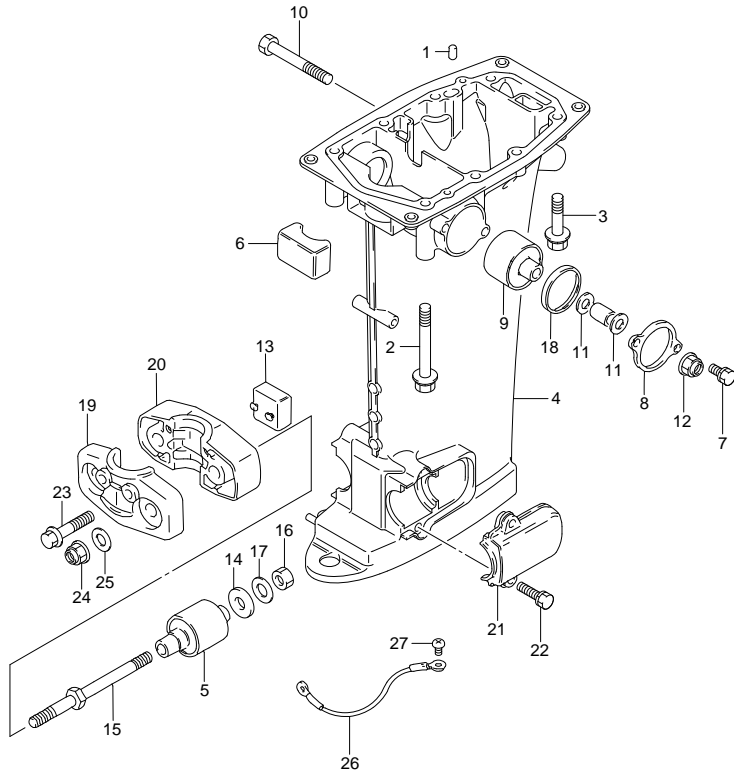


FIG.55 (1-F-10) DRIVE SHAFT HOUSING (DT25K P36)

REF NO.	PART NO.	DESCRIPTION	QTY	REMARKS
1	09202-06023	PIN	2	
2	09118-08098	BOLT (8X85)	4	
3	09118-08090	BOLT (8X52)	4	
4	52110-91L10-0EP	HOUSING, DRIVE SHAFT (L)	1	TRANSOM(L)
5	54160-96310	MOUNTING, LOWER	2	
6	54121-96301	MOUNTING, UPPER THRUST REVERSE	1	
7	09117-06030	BOLT (6X16)	4	
8	54137-91L00-0EP	COVER, UPPER MOUNT	2	
9	54130-96320	MOUNTING, UPPER	2	
10	09100-10260	BOLT (10X75)	2	
11	09160-10082	WASHER (10.5X19X2)	4	
12	09159-10050	NUT	2	
13	54151-96300	MOUNTING, LOWER THRUST	1	
14	54165-96310	DAMPER, REVERSE STOPPER	2	
15	54166-96311	BOLT, LOWER MOUNTING	2	
16	09140-10032	NUT	2	
17	09160-10083	WASHER (10.5X30X3.2)	2	
18	54138-96300	SLEEVE, UPPER MOUNT	2	

FIG.55

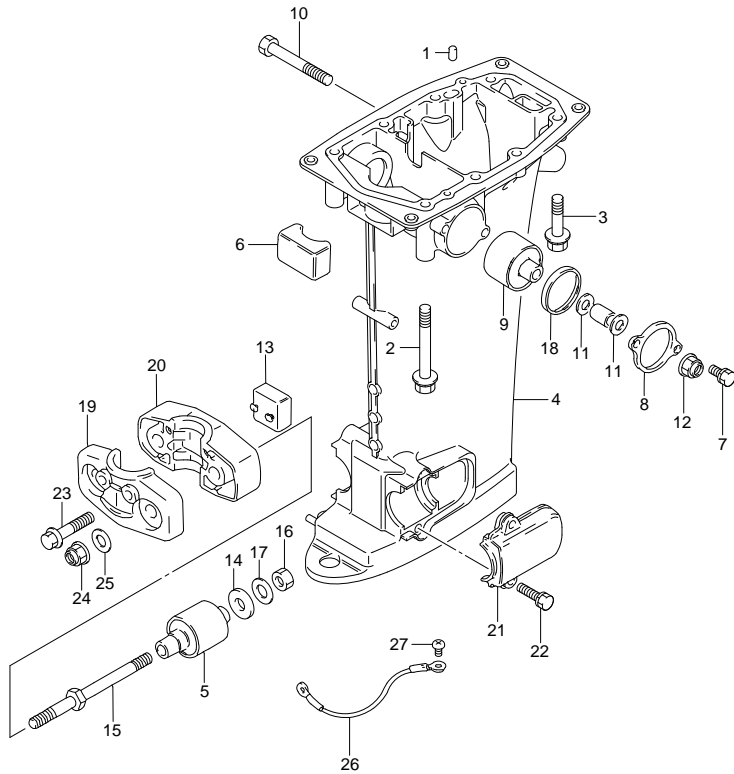


FIG.55 (1-F-11) DRIVE SHAFT HOUSING (DT25K P36)

REF NO.	PART NO.	DESCRIPTION	Q'TY	REMARKS
19	54211-91L00-0EP	BRACKET, LOWER MOUNT FRONT	1	
20	54212-91L00-0EP	BRACKET, LOWER MOUNT AFT	1	
21	54221-91L00-0EP	COVER, LOWER MOUNT	2	
22	09117-06032	BOLT (6X30)	4	
23	09116-08128	BOLT (8X40)	2	
24	09159-10050	NUT	2	
25	09160-10082	WASHER (10.5X19X2)	2	
26	36894-95201	LEAD (L:165)	1	
27	29125-93J10	SCREW (5X8)	2	

FIG.56

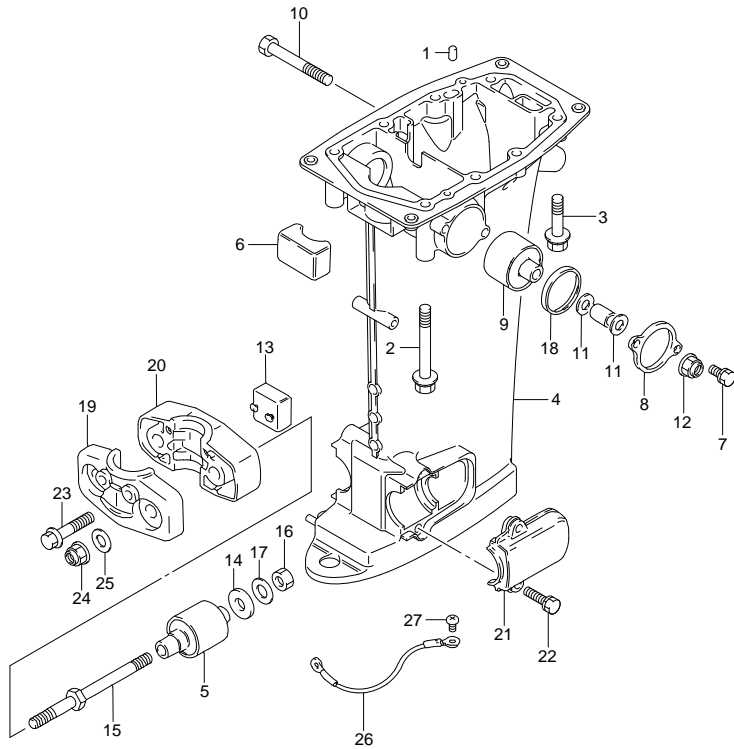


FIG.56 (1-F-12) DRIVE SHAFT HOUSING (DT30 P40)

REF NO.	PART NO.	DESCRIPTION	QTY	REMARKS
1	09202-06023	PIN	2	
2	09118-08098	BOLT (8X85)	4	
3	09118-08090	BOLT (8X52)	4	
4-1	52110-91L00-0EP	HOUSING, DRIVE SHAFT (S)	1	TRANSOM(S)
4-2	52110-91L10-0EP	HOUSING, DRIVE SHAFT (L)	1	TRANSOM(L)
5	54160-96310	MOUNTING, LOWER	2	
6	54121-96301	MOUNTING, UPPER THRUST REVERSE	1	
7	09117-06030	BOLT (6X16)	4	
8	54137-91L00-0EP	COVER, UPPER MOUNT	2	
9	54130-96320	MOUNTING, UPPER	2	
10	09100-10260	BOLT (10X75)	2	
11	09160-10082	WASHER (10.5X19X2)	4	
12	09159-10050	NUT	2	
13	54151-96300	MOUNTING, LOWER THRUST	1	
14	54165-96310	DAMPER, REVERSE STOPPER	2	
15	54166-96311	BOLT, LOWER MOUNTING	2	
16	09140-10032	NUT	2	
17	09160-10083	WASHER (10.5X30X3.2)	2	
18	54138-96300	SLEEVE, UPPER MOUNT	2	

FIG.56

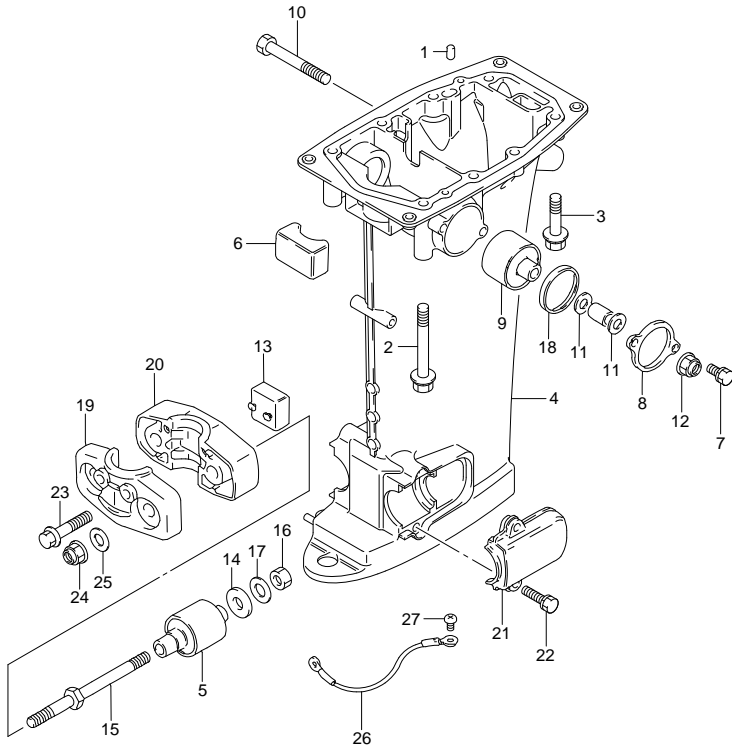


FIG.56 (1-F-13) DRIVE SHAFT HOUSING (DT30 P40)

REF NO.	PART NO.	DESCRIPTION	Q'TY	REMARKS
19	54211-91L00-0EP	BRACKET, LOWER MOUNT FRONT	1	
20	54212-91L00-0EP	BRACKET, LOWER MOUNT AFT	1	
21	54221-91L00-0EP	COVER, LOWER MOUNT	2	
22	09117-06032	BOLT (6X30)	4	
23	09116-08128	BOLT (8X40)	2	
24	09159-10050	NUT	2	
25	09160-10082	WASHER (10.5X19X2)	2	
26	36894-95201	LEAD (L:165)	1	
27	29125-93J10	SCREW (5X8)	2	

FIG.57

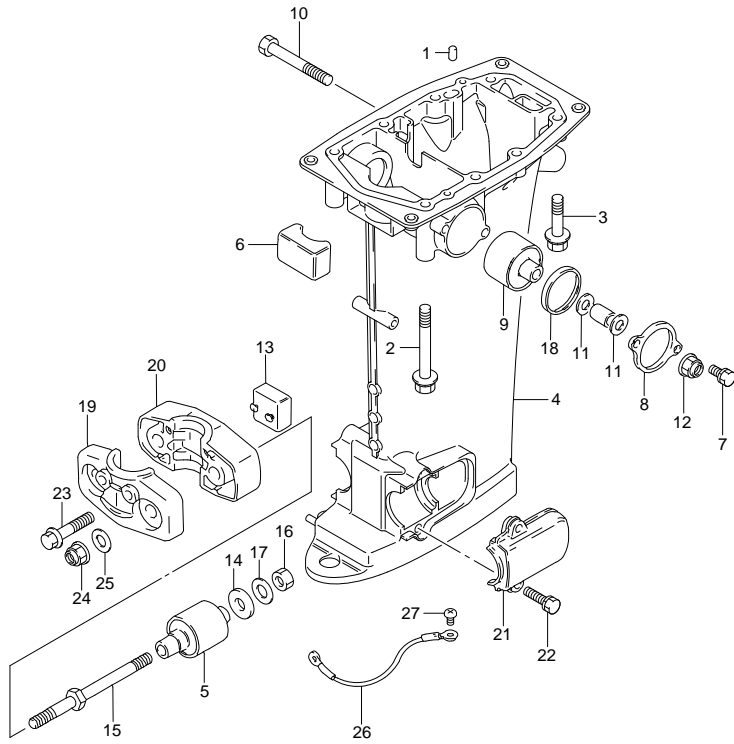


FIG.57 (1-F-14) DRIVE SHAFT HOUSING (DT30R P40)

REF NO.	PART NO.	DESCRIPTION	QTY	REMARKS
1	09202-06023	PIN	2	
2	09118-08098	BOLT (8X85)	4	
3	09118-08090	BOLT (8X52)	4	
4-1	52110-91L00-0EP	HOUSING, DRIVE SHAFT (S)	1	TRANSOM(S)
4-2	52110-91L10-0EP	HOUSING, DRIVE SHAFT (L)	1	TRANSOM(L)
5	54160-96310	MOUNTING, LOWER	2	
6	54121-96301	MOUNTING, UPPER THRUST REVERSE	1	
7	09117-06030	BOLT (6X16)	4	
8	54137-91L00-0EP	COVER, UPPER MOUNT	2	
9	54130-96320	MOUNTING, UPPER	2	
10	09100-10260	BOLT (10X75)	2	
11	09160-10082	WASHER (10.5X19X2)	4	
12	09159-10050	NUT	2	
13	54151-96300	MOUNTING, LOWER THRUST	1	
14	54165-96310	DAMPER, REVERSE STOPPER	2	
15	54166-96311	BOLT, LOWER MOUNTING	2	
16	09140-10032	NUT	2	
17	09160-10083	WASHER (10.5X30X3.2)	2	
18	54138-96300	SLEEVE, UPPER MOUNT	2	

FIG.57

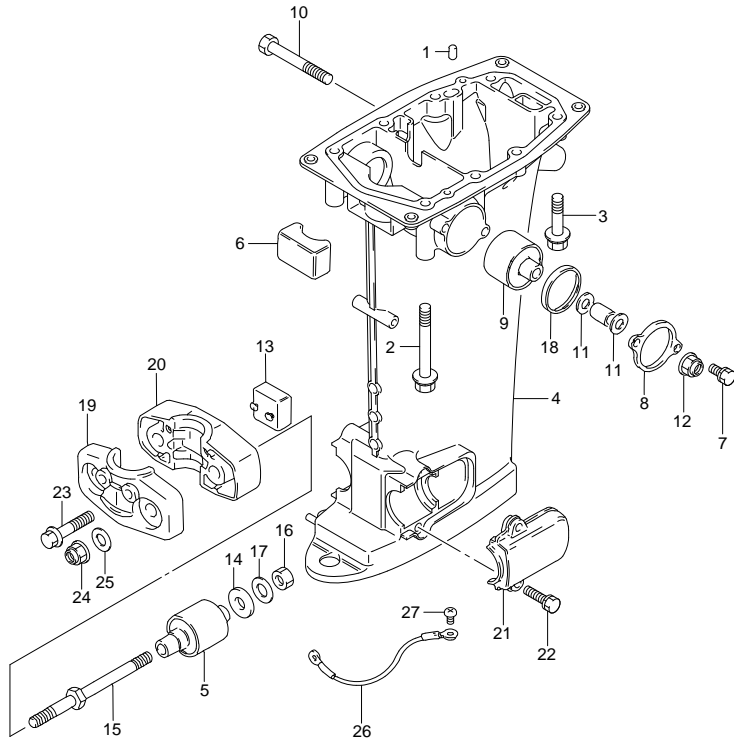


FIG.57 (1-F-15) DRIVE SHAFT HOUSING (DT30R P40)

REF NO.	PART NO.	DESCRIPTION	Q'TY	REMARKS
19	54211-91L00-0EP	BRACKET, LOWER MOUNT FRONT	1	
20	54212-91L00-0EP	BRACKET, LOWER MOUNT AFT	1	
21	54221-91L00-0EP	COVER, LOWER MOUNT	2	
22	09117-06032	BOLT (6X30)	4	
23	09116-08128	BOLT (8X40)	2	
24	09159-10050	NUT	2	
25	09160-10082	WASHER (10.5X19X2)	2	
26	36894-95201	LEAD (L:165)	1	
27	29125-93J10	SCREW (5X8)	2	

FIG.58

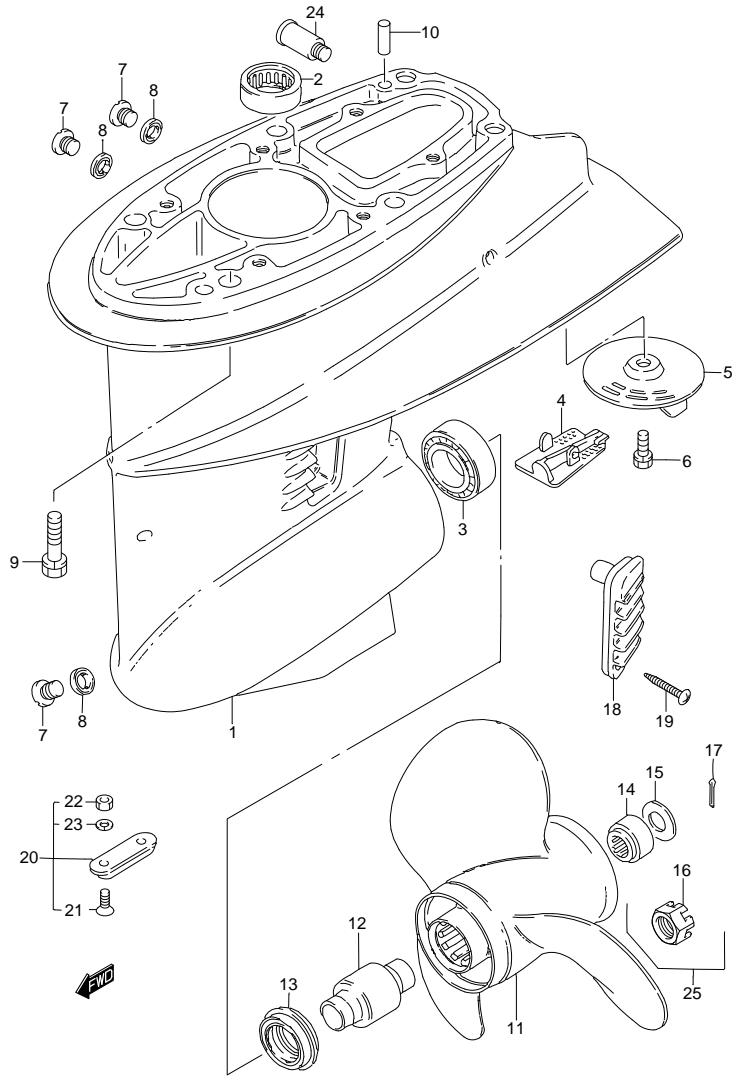


FIG.58 (1-G-2) GEAR CASE

REF NO.	PART NO.	DESCRIPTION	Q'TY	REMARKS
1	55100-91L00-0EP	CASE ASSY, GEAR	1	
2	09263-20046	·BEARING (20.6X27X25.4)	1	
3	09265-25015	·BEARING (25X52X19.25)	1	
4	55114-96310	·COVER, GEAR CASE	1	
5	55125-96310	TRIM TAB	1	
6	09117-08037	BOLT (8X16)	1	
7	09248-10008	PLUG	3	
8	09168-10022	GASKET (10X17X1.5)	3	
9	09116-08128	BOLT (8X40)	6	
10	09202-06015	PIN	2	
11-1	58100-96370-019	PROPELLER (3X10-1/4X9)	1	P911
11-2	58100-96410-019	PROPELLER (3X10-1/4X10)	1	P1001
11-3	58100-96420-019	PROPELLER (3X10-1/4X11)	1	P1101
11-4	58100-91L00-019	PROPELLER (3X10-1/4X12)	1	P1201
11-5	58100-91L10-019	PROPELLER (3X10-1/4X13)	1	P1301
11-6	58200-96400	PROPELLER (3X10-1/4X13)	1	OPT PS1300 SUS
11-7	58100-95D00-019	PROPELLER (3X10-1/4X14)	1	P1401
11-8	58100-96470-019	PROPELLER (3X10-1/4X10)	1	P1011
11-9	58100-96480-019	PROPELLER (3X10-1/4X12)	1	P1211
12	58120-96401	·BUSH	1	
13	57632-91L00	STOPPER, PROPELLER BUSH	1	
14	57633-96300	SPACER	1	
15	09160-14028	WASHER (14.5X30X2.5)	1	
16	09141-14008	NUT	1	
17	09204-03003	PIN	1	
18	17631-96320	FILTER, WATER	2	
19	03142-04259	SCREW	2	
20	55300-95500	ZINC ASSY, PROTECTION	1	OPT
21	09126-06006	·SCREW (6X20)	2	OPT
22	29141-93J00	·NUT	2	OPT
23	29162-93J00	·LOCK WASHER (6.1X12.2X1.5)	2	OPT

FIG.58

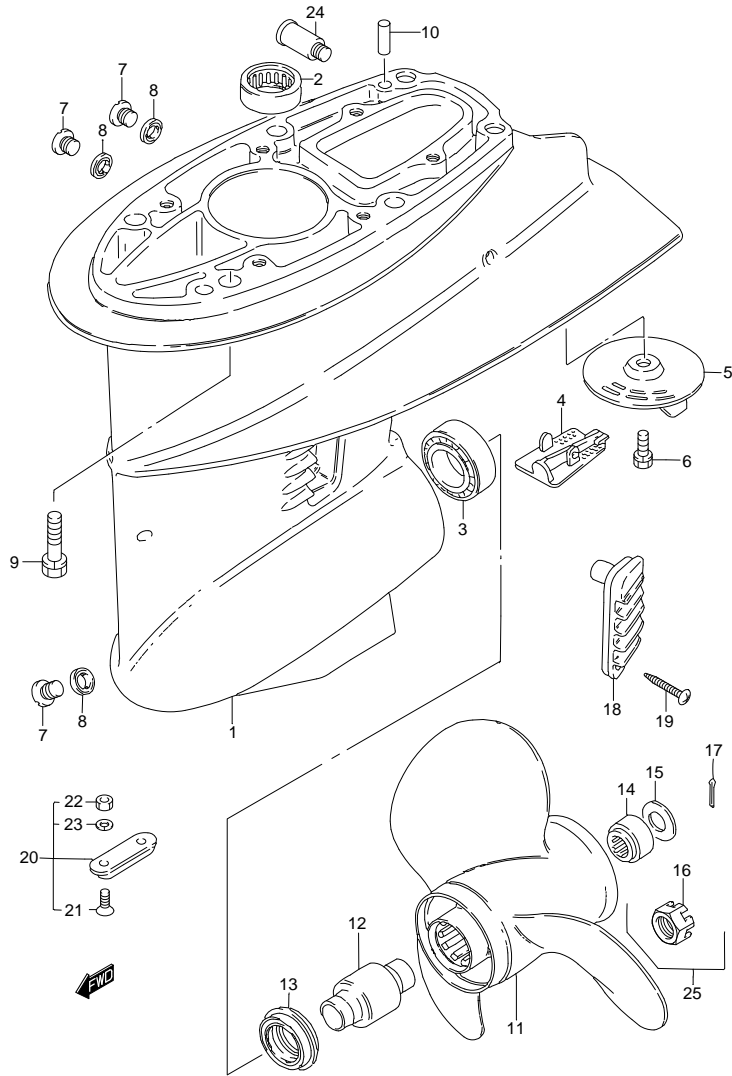


FIG.58 (1-G-3) GEAR CASE

REF NO.	PART NO.	DESCRIPTION	QTY	REMARKS
24	55181-95200	ATTACHMENT, FLUSH HOSE	1	OPT
25	57630-96300	KIT, PROPELLER NUT	1	OPT

FIG.59

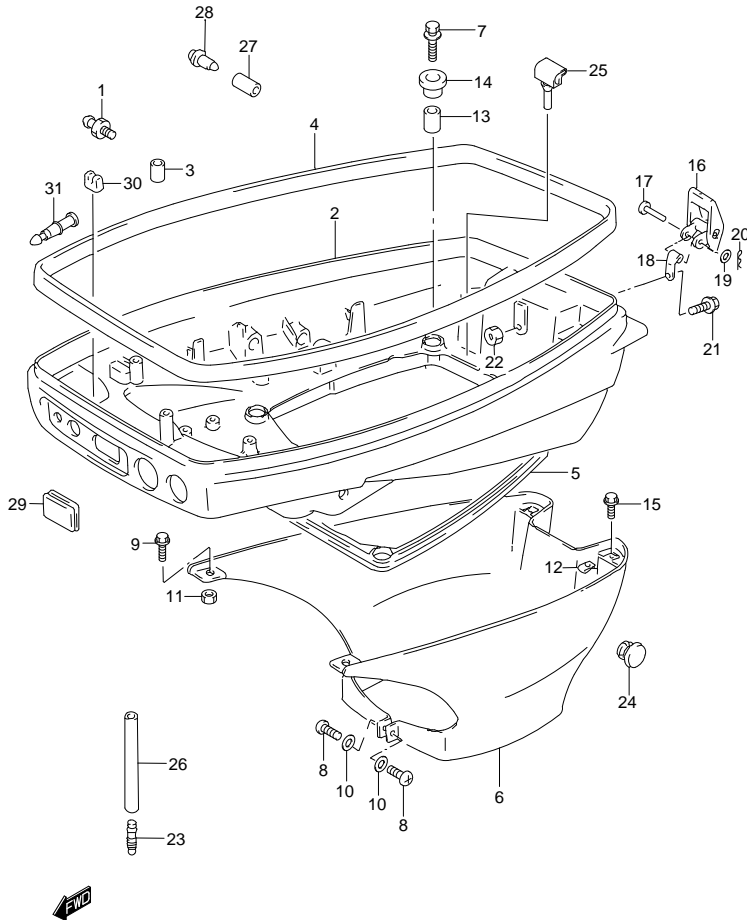


FIG.59 (1-G-4) UNDER COVER (DT25K P36)

REF NO.	PART NO.	DESCRIPTION	Q'TY	REMARKS
1	22511-99011	NIPPLE	1	
2	61110-91L00-0EP	COVER, ENGINE LOWER	1	
3	09205-10006	·SPRING	1	
4	61112-96320	RUBBER, UNDER COVER	1	
5	61113-96300	SEAL, UNDER COVER	1	
6	61131-91L00-0EP	COVER, ENGINE HOLDER	1	
7	09116-06133	BOLT (6X25)	4	
8	09125-05046	SCREW (5X12)	2	
9	29103-93J00	BOLT (6X12)	2	
10	09160-05029	WASHER (5.5X12X0.8)	2	
11	09140-06020	NUT	2	
12	09148-06017	NUT	2	
13	09180-06289	SPACER (6.5X10X11.5)	4	
14	09320-10031	CUSHION	4	
15	09136-06145	BOLT (6X20)	2	
16	61610-93901	FASTENER	1	
17	61616-93E0	PIN, LEVER	1	
18	61642-93902	HOLDER, FASTENER LEVER	1	
19	09161-04012	WASHER (4.2X11X1)	1	
20	09385-04003	CLIP	1	
21	01550-06167	BOLT	1	
22	08310-00067	NUT	1	
23	61155-94500	TUBE, WATER INSPECTION	1	
24	09250-08007	CAP	2	
25	61138-94410	COVER, WATER	1	
26	09352-50903-600	HOSE (5X9X600)	1	L:600->40
27	09352-70121-600	HOSE (7X12.1X600)	1	L:600->15
28	09409-08308-5ES	CAP (BLACK)	1	
29	39669-94400	PLUG, LOWER COVER	1	MANUAL STARTER
30	13625-94300	CAP, CHOKE ROD GUIDE	1	
31	36615-96300	TERMINAL, RESIN	2	MANUAL STARTER

FIG.60

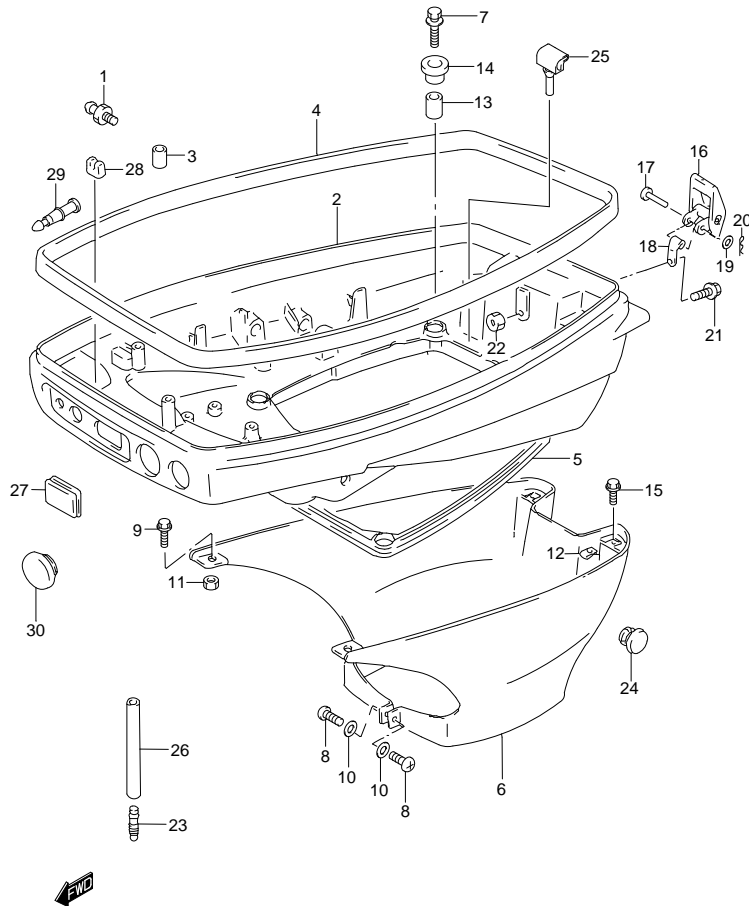


FIG.60 (1-G-5) UNDER COVER (DT30 P40)

REF NO.	PART NO.	DESCRIPTION	Q'TY	REMARKS
1	22511-99011	NIPPLE	1	
2	61110-91L00-0EP	COVER, ENGINE LOWER	1	
3	09205-10006	·SPRING	1	
4	61112-96320	RUBBER, UNDER COVER	1	
5	61113-96300	SEAL, UNDER COVER	1	
6	61131-91L00-0EP	COVER, ENGINE HOLDER	1	
7	09116-06133	BOLT (6X25)	4	
8	09125-05046	SCREW (5X12)	2	
9	29103-93J00	BOLT (6X12)	2	
10	09160-05029	WASHER (5.5X12X0.8)	2	
11	09140-06020	NUT	2	
12	09148-06017	NUT	2	
13	09180-06289	SPACER (6.5X10X11.5)	4	
14	09320-10031	CUSHION	4	
15	09136-06145	BOLT (6X20)	2	
16	61610-93901	FASTENER	1	
17	61616-93E0	PIN, LEVER	1	
18	61642-93902	HOLDER, FASTENER LEVER	1	
19	09161-04012	WASHER (4.2X11X1)	1	
20	09385-04003	CLIP	1	
21	01550-06167	BOLT	1	
22	08310-00067	NUT	1	
23	61155-94500	TUBE, WATER INSPECTION	1	
24	09250-08007	CAP	2	
25	61138-94410	COVER, WATER	1	
26	09352-50903-600	HOSE (5X9X600)	1	L:600->40
27	39669-94400	PLUG, LOWER COVER	1	MANUAL STARTER
28	13625-94300	CAP, CHOKE ROD GUIDE	1	
29	36615-96300	TERMINAL, RESIN	2	MANUAL STARTER
30	09250-21003	PLUG (OD:28)	1	MANUAL STARTER FOR STARTING SW HOLE

FIG.61

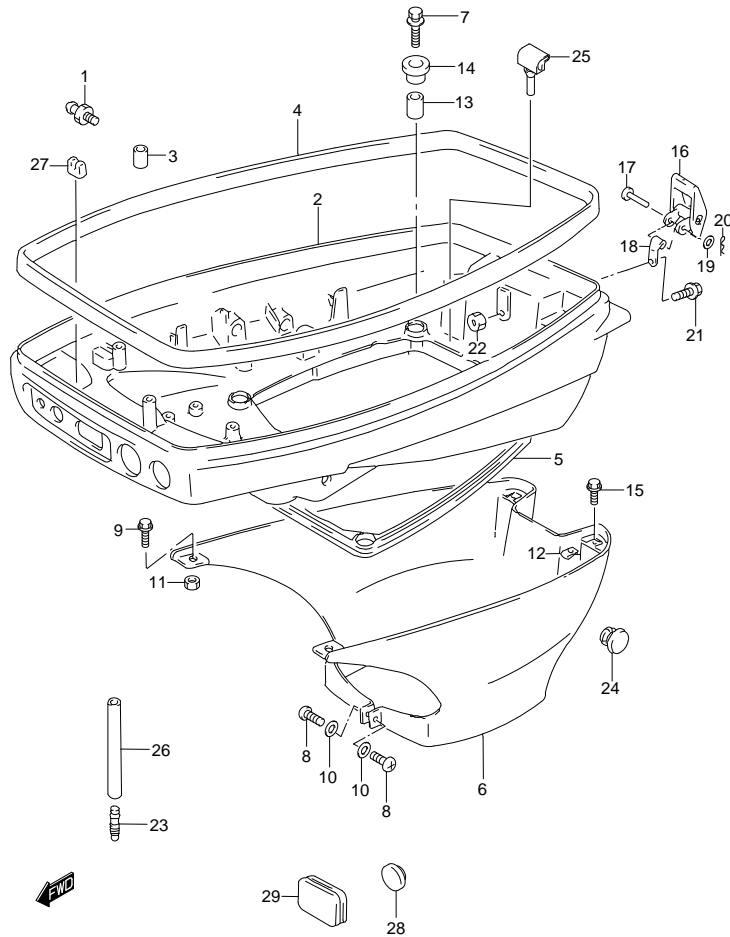


FIG.61 (1-G-6) UNDER COVER (DT30R P40)

REF NO.	PART NO.	DESCRIPTION	Q'TY	REMARKS
1	22511-99011	NIPPLE	1	
2	61110-91L00-0EP	COVER, ENGINE LOWER	1	
3	09205-10006	·SPRING	1	
4	61112-96320	RUBBER, UNDER COVER	1	
5	61113-96300	SEAL, UNDER COVER	1	
6	61131-91L00-0EP	COVER, ENGINE HOLDER	1	
7	09116-06133	BOLT (6X25)	4	
8	09125-05046	SCREW (5X12)	2	
9	29103-93J00	BOLT (6X12)	2	
10	09160-05029	WASHER (5.5X12X0.8)	2	
11	09140-06020	NUT	2	
12	09148-06017	NUT	2	
13	09180-06289	SPACER (6.5X10X11.5)	4	
14	09320-10031	CUSHION	4	
15	09136-06145	BOLT (6X20)	2	
16	61610-93901	FASTENER	1	
17	61616-93E00	PIN, LEVER	1	
18	61642-93902	HOLDER, FASTENER LEVER	1	
19	09161-04012	WASHER (4.2X11X1)	1	
20	09385-04003	CLIP	1	
21	01550-06167	BOLT	1	
22	08310-00067	NUT	1	
23	61155-94500	TUBE, WATER INSPECTION	1	
24	09250-08007	CAP	2	
25	61138-94410	COVER, WATER	1	
26	09352-50903-600	HOSE (5X9X600)	1	L:600->40
27	13625-94300	CAP, CHOKE ROD GUIDE	1	
28	09250-16008	PLUG (OD:24)	1	EMG SW HOLE
29	63625-94300	CAP, THROTTLE CABLE	1	

FIG.62

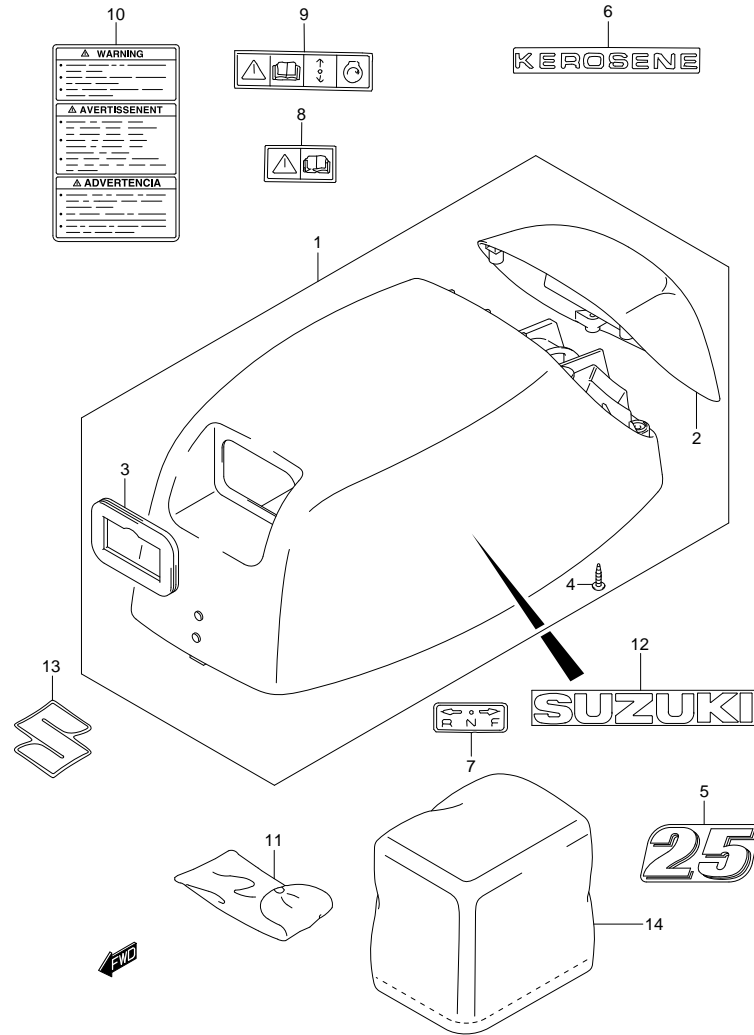


FIG.62 (1-G-7) ENGINE COVER (DT25K P36)

REF NO.	PART NO.	DESCRIPTION	Q'TY	REMARKS
1	61400-91L00-0EP	COVER SET, ENGINE	1	
2	61431-91L00-0EP	·HANDLE, TILT UP	1	
3	61622-96302	·RUBBER, RECOIL STARTER SEAL	1	
4	03542-06169	·SCREW	4	
5	61435-963A1	MARK, EMBLEM REAR	1	
6	61449-93921	MARK, KEROSENE	1	
7	21131-94J00	MARK, CLUTCH SHIFT	1	
8	69712-93E10	LABEL, CAUTION	1	
9	69711-93E10	LABEL, CAUTION	1	
10	61581-98620	MARK, SAFETY WARNING	1	
11	59800-90L00	TOOL ASSY	1	
12	61441-96321	MARK, SUZUKI	2	
13	68111-99J00	EMBLEM, "S"	1	
14	68110-94400	COVER, WEATHER	1	OPT

FIG.63

FIG.63 (1-G-8) ENGINE COVER (DT30 P40)

REF NO.	PART NO.	DESCRIPTION	Q'TY	REMARKS
1	61400-91L00-0EP	COVER SET, ENGINE	1	
2	61431-91L00-0EP	·HANDLE, TILT UP	1	
3	61622-96302	·RUBBER, RECOIL STARTER SEAL	1	
4	03542-06169	·SCREW	4	
5	61435-963B1	MARK, EMBLEM REAR	1	
6	21131-94J00	MARK, CLUTCH SHIFT	1	
7	69712-93E10	LABEL, CAUTION	1	
8	69711-93E10	LABEL, CAUTION	1	
9	61581-98620	MARK, SAFETY WARNING	1	
10	59800-90L00	TOOL ASSY	1	
11	61441-96321	MARK, SUZUKI	2	
12	68111-99J00	EMBLEM, "S"	1	
13	68110-94400	COVER, WEATHER	1	OPT

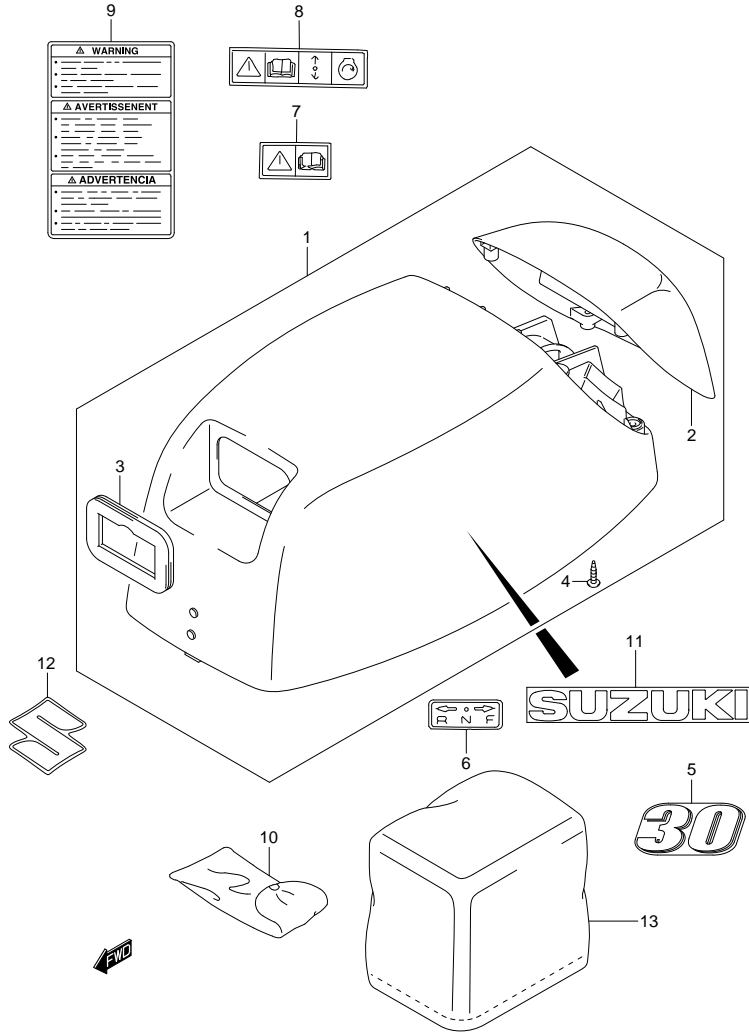
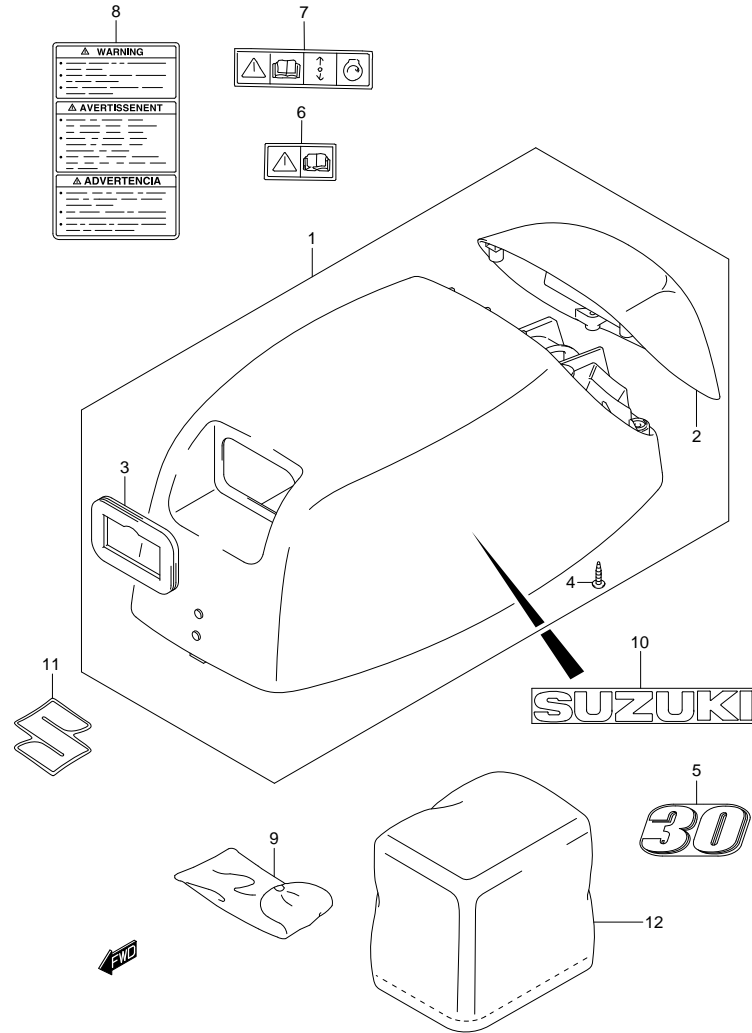


FIG.64



DT25 30 P40 012_064
ENGINE COVER

FIG.64 (1-G-9) ENGINE COVER (DT30R P40)

REF NO.	PART NO.	DESCRIPTION	Q'TY	REMARKS
1	61400-91L00-0EP	COVER SET, ENGINE	1	
2	61431-91L00-0EP	·HANDLE, TILT UP	1	
3	61622-96302	·RUBBER, RECOIL STARTER SEAL	1	
4	03542-06169	·SCREW	4	
5	61435-963B1	MARK, EMBLEM REAR	1	
6	69712-93E10	LABEL, CAUTION	1	
7	69711-93E10	LABEL, CAUTION	1	
8	61581-98620	MARK, SAFETY WARNING	1	
9	59800-90L00	TOOL ASSY	1	
10	61441-96321	MARK, SUZUKI	2	
11	68111-99J00	EMBLEM, "S"	1	
12	68110-94400	COVER, WEATHER	1	OPT

DT25 30 P40 012

FIG.65

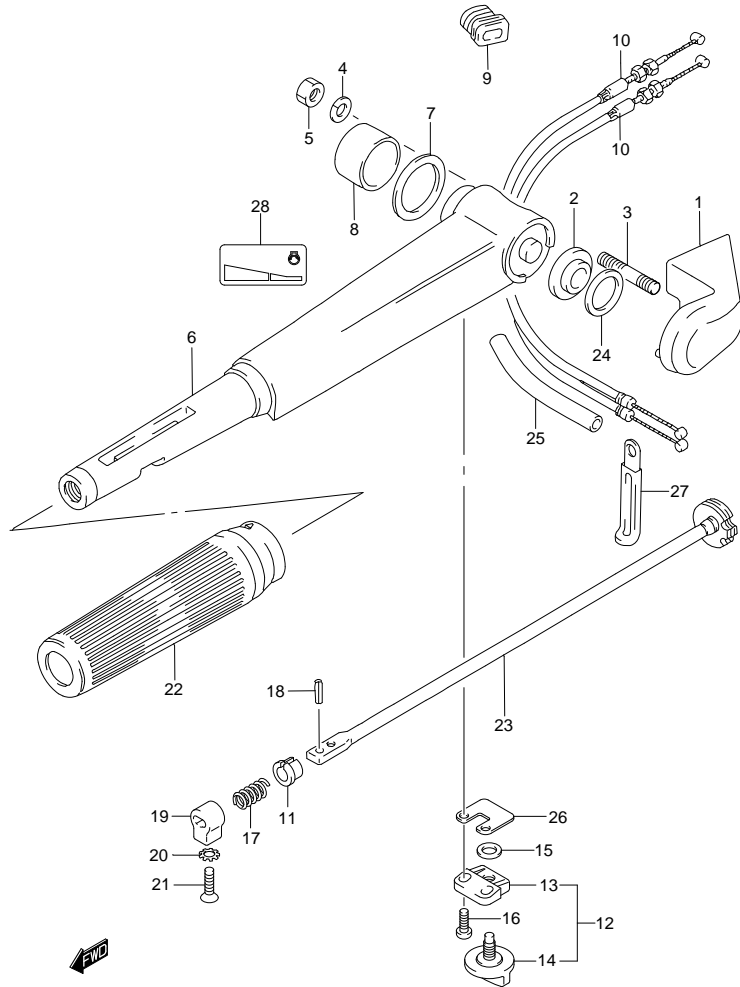


FIG.65 (1-G-10) HANDLE (DT25K P36)

REF NO.	PART NO.	DESCRIPTION	QTY	REMARKS
1	63121-91L00-OEP	COVER, TILLER HANDLE	1	
2	63114-94300	SPACER, HANDLE COVER	1	
3	09108-08300	STUD BOLT	2	
4	29162-93J10	LOCK WASHER (8.2X15.4X2.0)	2	
5	09140-08023-XC0	NUT	2	
6	63111-91L00-OEP	HANDLE, TILLER	1	
7	63115-96310	SPACER	1	
8	63116-96301	BUSH, TILLER HANDLE	1	
9	63625-96300	GROMMET	1	
10	63610-96321	CABLE, THROTTLE (L:560)	2	
11	63225-93200	BUSH, HANDLE ROD	1	
12	63240-94J00	ADJUSTER SET, HANDLE GRIP	1	
13	63241-98601	SUPPORT, HANDLE ROD	1	
14	63244-94J00	KNOB, THROTTLE ADJUSTER	1	
15	09148-06008	NUT	1	
16	09136-05041	SCREW (5X20)	2	
17	09440-12027	SPRING	1	
18	09205-03038	SPRING	1	
19	63223-92D00	STOPPER, HANDLE ROD	1	
20	09163-06001	LOCK WASHER	1	
21	09126-06015	SCREW (6X23)	1	
22	63210-93E30	GRIP, HANDLE	1	
23	63220-96320	ROD, HANDLE	1	
24-1	63118-94300	SHIM (0.3)	1	
24-2	63118-94310	SHIM (0.5)	1	OPT
25	18498-91J00	PROTECTOR, THROTTLE CABLE	1	
26	63225-94J00	PLATE, HANDLE ROD ADJUSTER	1	
27	29404-93J10	CLAMP, THROTTLE CABLE	1	
28	69714-94J00	MARK, ENGINE START	1	

FIG.66

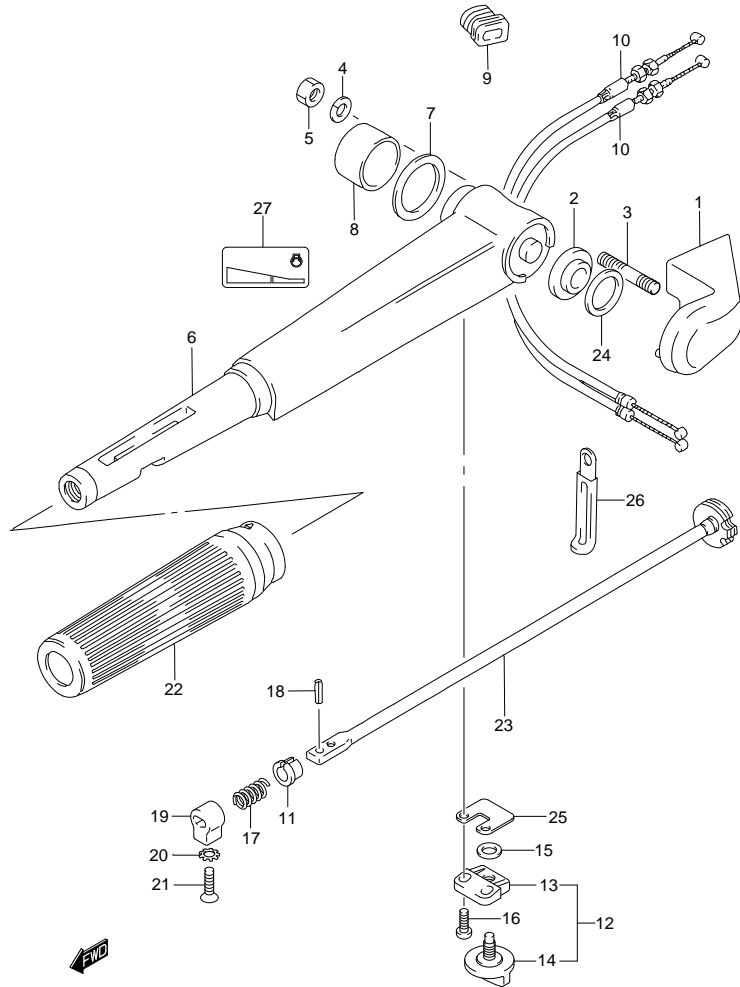


FIG.66 (1-G-11) HANDLE (DT30 P40)

REF NO.	PART NO.	DESCRIPTION	Q' TY	REMARKS
1	63121-91L00-OEP	COVER, TILLER HANDLE	1	
2	63114-94300	SPACER, HANDLE COVER	1	
3	09108-08300	STUD BOLT	2	
4	29162-93J10	LOCK WASHER (8.2X15.4X2.0)	2	
5	09140-08023-XC0	NUT	2	
6	63111-91L00-OEP	HANDLE, TILLER	1	
7	63115-96310	SPACER	1	
8	63116-96301	BUSH, TILLER HANDLE	1	
9	63625-96300	GROMMET	1	
10	63610-96321	CABLE, THROTTLE (L:560)	2	
11	63225-93200	BUSH, HANDLE ROD	1	
12	63240-94J00	ADJUSTER SET, HANDLE GRIP	1	
13	63241-98601	SUPPORT, HANDLE ROD	1	
14	63244-94J00	KNOB, THROTTLE ADJUSTER	1	
15	09148-06008	NUT	1	
16	09136-05041	SCREW (5X20)	2	
17	09440-12027	SPRING	1	
18	09205-03038	SPRING	1	
19	63223-92D00	STOPPER, HANDLE ROD	1	
20	09163-06001	LOCK WASHER	1	
21	09126-06015	SCREW (6X23)	1	
22	63210-93E30	GRIP, HANDLE	1	
23	63220-96320	ROD, HANDLE	1	
24-1	63118-94300	SHIM (0.3)	1	
24-2	63118-94310	SHIM (0.5)	1	OPT
25	63225-94J00	PLATE, HANDLE ROD ADJUSTER	1	
26	29404-93J10	CLAMP, THROTTLE CABLE	1	
27	69714-94J00	MARK, ENGINE START	1	

FIG.67

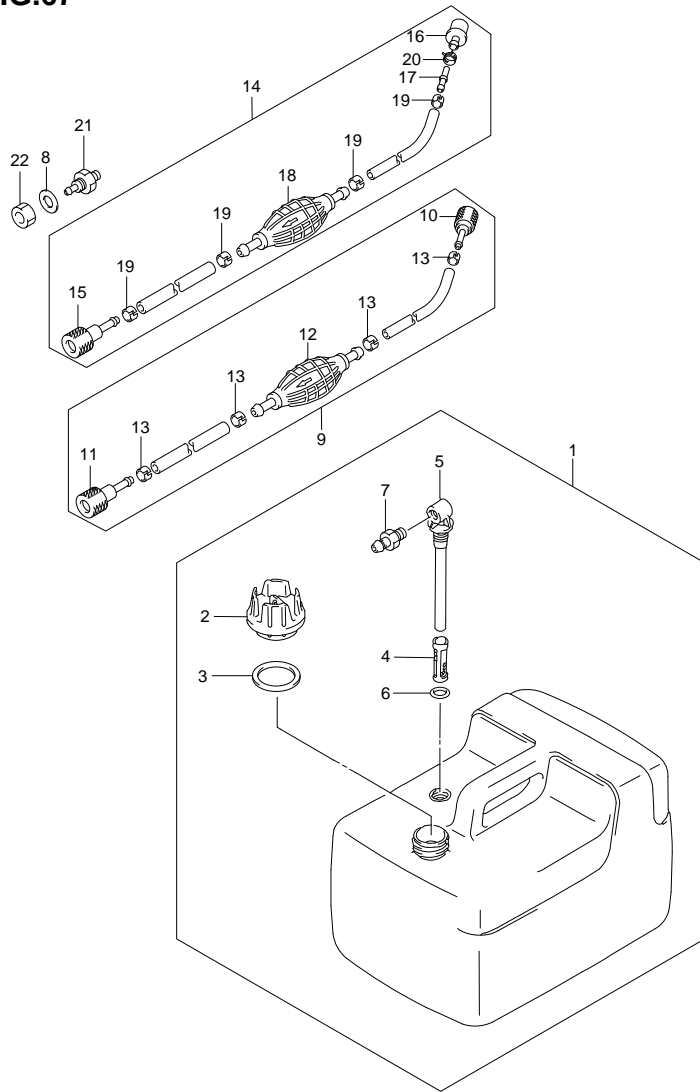


FIG.67 (1-G-12) FUEL TANK (RESIN,12L) (DT25K P36)

REF NO.	PART NO.	DESCRIPTION	Q' TY	REMARKS
1	65000-99100	TANK ASSY, FUEL (12L)	1	
2	65520-99100	·CAP ASSY, FUEL TANK	1	
3	65561-95D00	·GASKET, TANK CAP	1	
4	65831-95D00	·FILTER, OUTLET	1	
5	65890-99100	·OUTLET ASSY	1	
6	65892-95D00	·O RING	1	
7	65740-99100	·PLUG, FUEL CONNECTOR	1	
8	09160-12066	WASHER (12.5X22X2.5)	1	
9	65700-95D02	HOSE, FUEL	1	L:2550 GASOLINE
10	65750-98505	·SOCKET, FUEL HOSE (IN)	1	
11	65750-95500	·SOCKET, FUEL HOSE (OUT)	1	
12	65770-93904	·PUMP, SQUEEZE	1	
13	65781-98500	·CLIP	4	
14	65700-94414	HOSE, FUEL	1	L:2590 GASOLINE
15	65750-95500	·SOCKET, FUEL HOSE	1	
16	65830-95500	·FILTER ASSY, FUEL HOSE	1	
17	65842-94401	·TUBE	1	
18	65770-95505	·PUMP, SQUEEZE	1	
19	65781-98500	·CLIP	4	
20	09401-11423	·CLIP	1	
21	65720-95512	PLUG, FUEL CONNECTOR	1	GASOLINE
22	65761-91L00	NUT, FUEL CONNECTOR PLUG	1	GASOLINE
23	99011-91L10-063	MANUAL, OWNER'S	1	NOT ILLUSTRATED

FIG.68

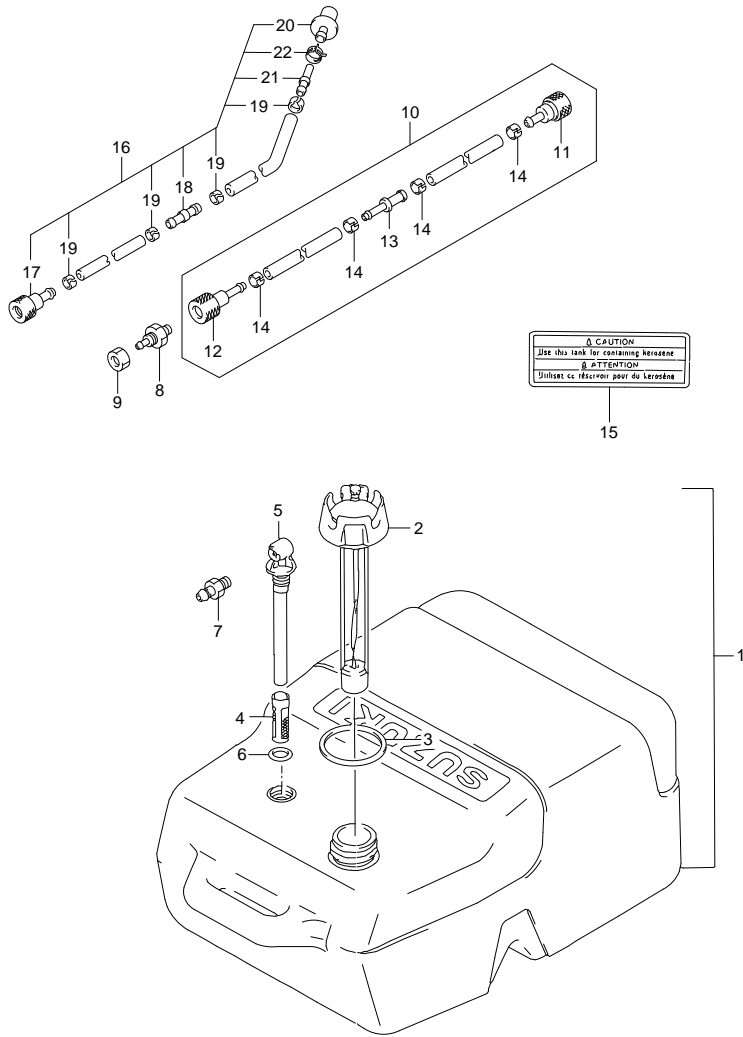


FIG.68 (1-G-13) FUEL TANK (RESIN,25L) (DT25K P36)

REF NO.	PART NO.	DESCRIPTION	Q'TY	REMARKS
1	65000-95D01	TANK ASSY, FUEL (25L)	1	
2	65520-95D00	·CAP ASSY, FUEL TANK	1	
3	65561-95D00	·GASKET, TANK CAP	1	
4	65831-95D00	·FILTER, OUTLET	1	
5	65890-95D00	·OUTLET ASSY	1	
6	65892-95D00	·O RING, OUTLET	1	
7	65740-95D01	·PLUG, FUEL CONNECTOR	1	
8	65720-98521	PLUG, FUEL CONNECTOR	1	KEROSENE
9	09140-10032	NUT	1	KEROSENE
10	65700-96362	HOSE, FUEL	1	KEROSENE
11	65750-95500	·SOCKET (IN)	1	
12	65750-98505	·SOCKET (OUT)	1	
13	65779-93900	·UNION	1	
14	65781-98500	·CLIP	4	
15	65318-93910	MARK, KEROSENE CAUTION	1	
16	65700-94424	HOSE, FUEL	1	KEROSENE
17	65750-98505	·SOCKET, FUEL HOSE	1	
18	65779-93900	·UNION, FUEL HOSE	1	
19	65781-98500	·CLIP	4	
20	65830-95500	·FILTER	1	
21	65842-94401	·TUBE	1	
22	09401-11423	·CLIP	1	
23	99011-91L10-063	MANUAL, OWNER'S	1	NOT ILLUSTRATED

FIG.69

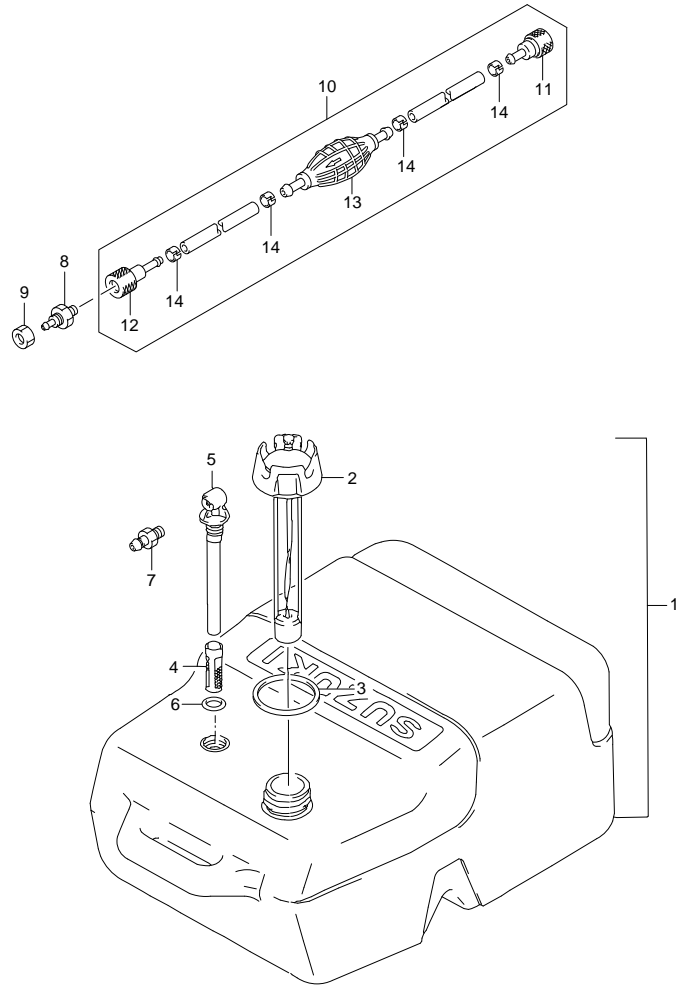


FIG.69 (1-G-14) FUEL TANK (RESIN,25L) (DT30 P40)

REF NO.	PART NO.	DESCRIPTION	Q'TY	REMARKS
1	65000-95D01	TANK ASSY, FUEL (25L)	1	
2	65520-95D00	·CAP ASSY, FUEL TANK	1	
3	65561-95D00	·GASKET, TANK CAP	1	
4	65831-95D00	·FILTER, OUTLET	1	
5	65890-95D00	·OUTLET ASSY	1	
6	65892-95D00	·O RING, OUTLET	1	
7	65740-95D01	·PLUG, FUEL CONNECTOR	1	
8	65720-98521	PLUG, FUEL CONNECTOR	1	
9	09140-10032	NUT	1	
10	65700-87D19	HOSE, FUEL	1	
11	65750-95500	·SOCKET, FUEL HOSE (IN)	1	
12	65750-98505	·SOCKET, FUEL HOSE (OUT)	1	
13	65770-95541	·PUMP, SQUEEZE	1	
14	65781-98500	·CLIP	4	
15	99011-91L00-063	MANUAL, OWNER'S	1	NOT ILLUSTRATED

FIG.70

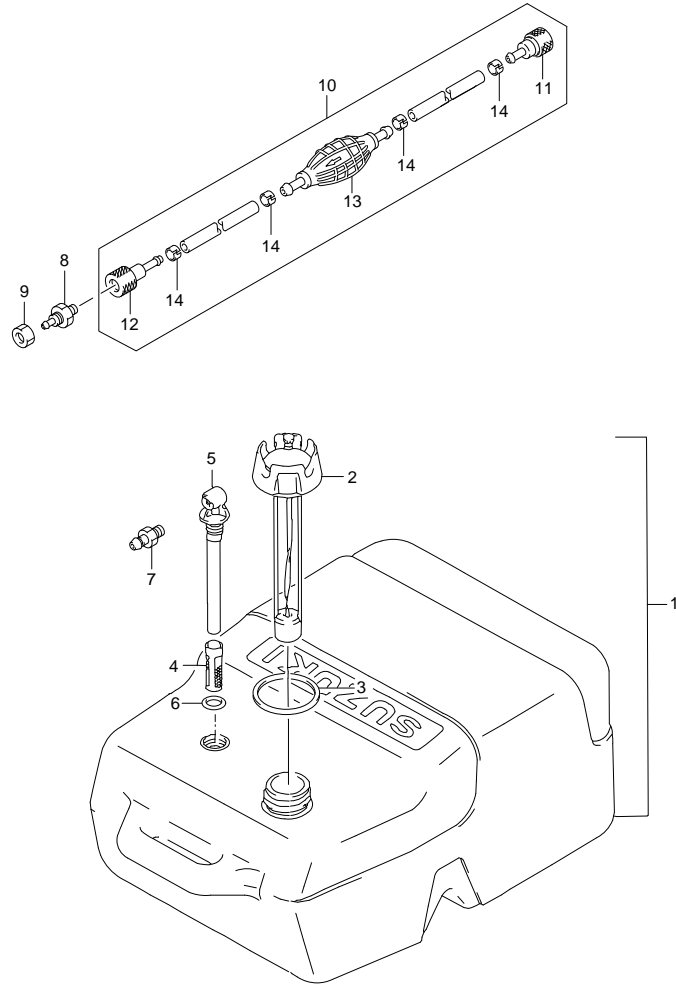


FIG.70 (1-G-15) FUEL TANK (RESIN,25L) (DT30R P40)

REF NO.	PART NO.	DESCRIPTION	Q'TY	REMARKS
1	65000-95D01	TANK ASSY, FUEL (25L)	1	
2	65520-95D00	·CAP ASSY, FUEL TANK	1	
3	65561-95D00	·GASKET, TANK CAP	1	
4	65831-95D00	·FILTER, OUTLET	1	
5	65890-95D00	·OUTLET ASSY	1	
6	65892-95D00	·O RING, OUTLET	1	
7	65740-95D01	·PLUG, FUEL CONNECTOR	1	
8	65720-98521	PLUG, FUEL CONNECTOR	1	
9	09140-10032	NUT	1	
10	65700-87D19	HOSE, FUEL	1	
11	65750-95500	·SOCKET, FUEL HOSE (IN)	1	
12	65750-98505	·SOCKET, FUEL HOSE (OUT)	1	
13	65770-95541	·PUMP, SQUEEZE	1	
14	65781-98500	·CLIP	4	
15	99011-91L00-063	MANUAL, OWNER'S	1	NOT ILLUSTRATED

FIG.71

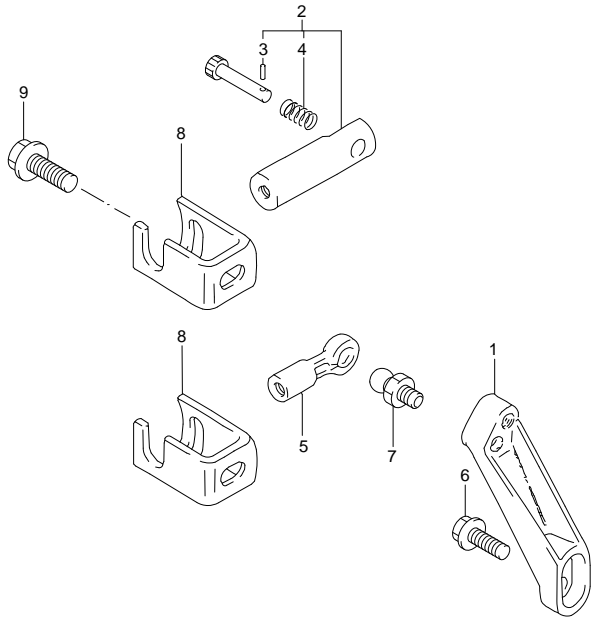


FIG.71 (1-H-2) REMOCON PARTS (DT30R P40)

REF NO.	PART NO.	DESCRIPTION	Q' TY	REMARKS
1	67414-94301-0EP	LEVER, REMOCON SWITCH	1	
2	67440-93701	GUIDE, CLUTCH CABLE	1	
3	09205-02006	·PIN	1	
4	09440-09042	·SPRING	1	
5	67466-95200	GUIDE, THROTTLE CABLE	1	
6	09116-06094	BOLT (6X15)	1	
7	09119-06047	BALL, PIVOT	1	
8	67341-94302	HOLDER, REMOCON CABLE	2	
9	09116-06094	BOLT (6X15)	2	

FIG.72

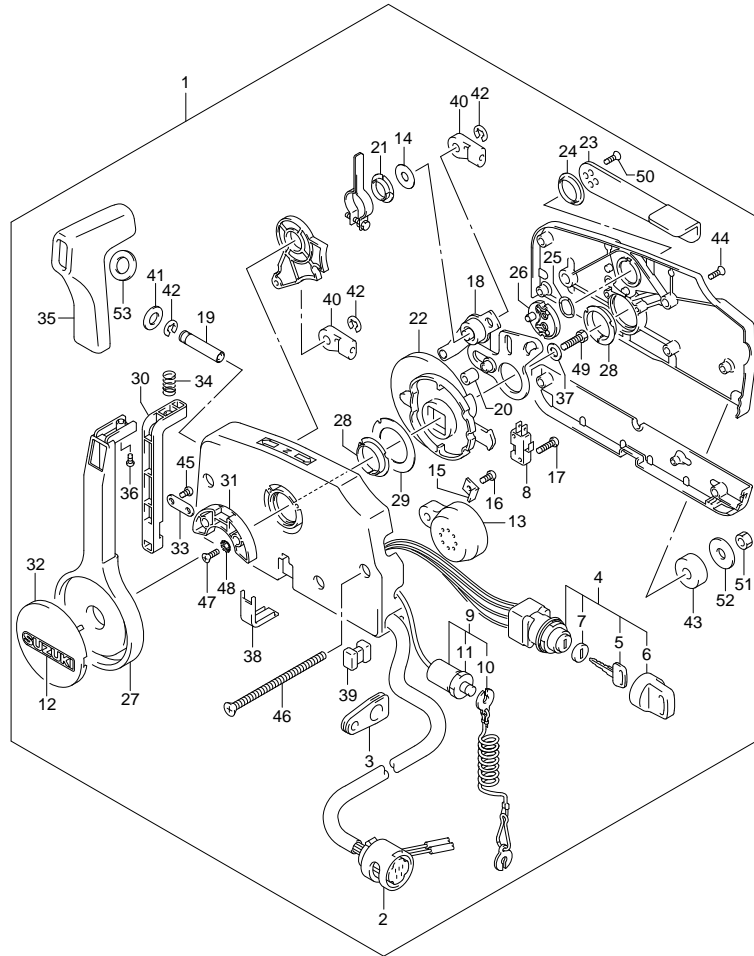


FIG.72 (1-H-3) REMOTE CONTROL (DT30R P40)

REF NO.	PART NO.	DESCRIPTION	QTY	REMARKS
1	67200-97E42	REMOTE CONTROL ASSY	1	<-67200-96392
2	36620-95D10	·WIRE ASSY, REMOCON	1	
3	36628-92E00	·GROMMET	1	
4	37110-99E00	·SWITCH ASSY, IGNITION	1	
5-1	37141-99E00	··KEY (931)	1	
5-2	37141-99E10	··KEY (932)	1	
5-3	37141-99E20	··KEY (933)	1	
5-4	37141-99E30	··KEY (934)	1	
5-5	37141-99E40	··KEY (935)	1	
5-6	37141-99E50	··KEY (936)	1	
5-7	37141-99E60	··KEY (937)	1	
5-8	37141-99E70	··KEY (938)	1	
5-9	37141-99E80	··KEY (939)	1	
5-10	37141-99E90	··KEY (940)	1	
5-11	37141-99EA0	··KEY (941)	1	
5-12	37141-99EB0	··KEY (942)	1	
6	37143-99E00	··CAP, KEY	1	
7	37149-93J00	··CAP, CYLINDER BODY	1	
8	37721-94600	·SWITCH, NEUTRAL	1	
9	37820-92E03	·SWITCH ASSY, EMERGENCY	1	
10	37823-92E01	··PLATE	1	
11	37826-92E00	··NUT	1	
12	68165-16B00-13L	·EMBLEM, SUZUKI (SILVER)	1	
13	38500-92X50	·BUZZER, WARNING	1	FOR 67200-97E42
14	67212-95600	·WASHER	1	
15	67213-92E00	·BRACKET, BUZZER	1	FOR 67200-97E42
16	09125-05042	·SCREW (5X10)	1	FOR 67200-97E42
17	67296-92E10	·SCREW, BUZZER BRKT	2	FOR 67200-97E42

FIG.72

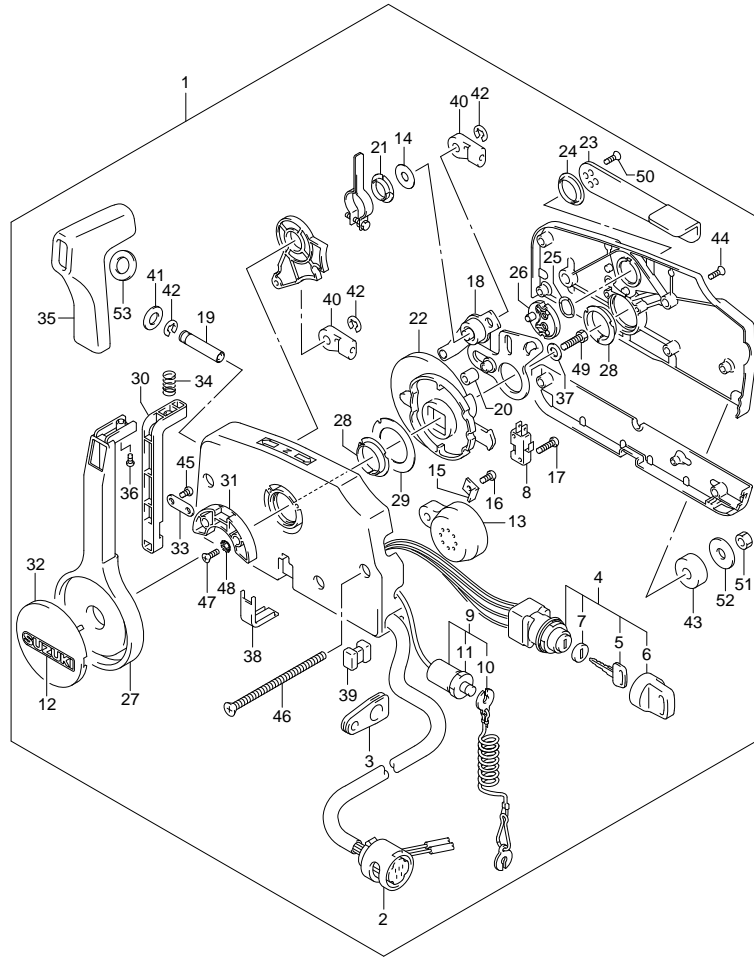


FIG.72 (1-H-4) REMOTE CONTROL (DT30R P40)

REF NO.	PART NO.	DESCRIPTION	Q T Y	REMARKS
18	67220-95620	·PLATE ASSY	1	
19	67223-99E00	·KNOB, BRAKE ADJUST	1	
20	67229-95600	·ROLLER	1	
21	67232-95600	·BUSH	1	
22	67238-87D00	·GEAR, DRIVE	1	
23	67241-99E10	·LEVER, FREE THROTTLE	1	
24	67243-95600	·BUSH	1	
25	67244-95600	·WAVE WASHER	1	
26	67245-95600	·DRUM, FREE THROTTLE	1	
27	67251-99E10	·LEVER, HANDLE	1	
28	67252-95600	·BUSH	1	
29	67253-95600	·WASHER	1	
30	67255-99E00	·ARM, LOCK	1	
31	67256-95600	·HOLDER, NEUT LOCK	1	
32	67257-95610	·CAP, LEVER	1	
33	67258-99E00	·BRACKET	1	
34	67259-87D00	·SPRING, NEUTRAL ARM	1	
35	67261-99E00	·GRIP	1	
36	67296-94310	·SCREW, BUZZER BRKT	1	
37	67264-95600	·WASHER	1	
38	67267-95610	·COVER, WIRE	1	
39	67273-95600	·SPACER	1	
40	67275-95600	·END, CABLE	2	
41	67288-92E00	·WASHER	1	
42	67292-94300	·E RING	3	
43	67294-95600	·SPACER	3	
44	67296-90J00	·SCREW, COVER	5	
45	67296-94300	·SCREW	2	
46	67296-95600	·SCREW	3	
47	67296-95610	·SCREW	2	
48	67297-95600	·WASHER	2	

FIG.72

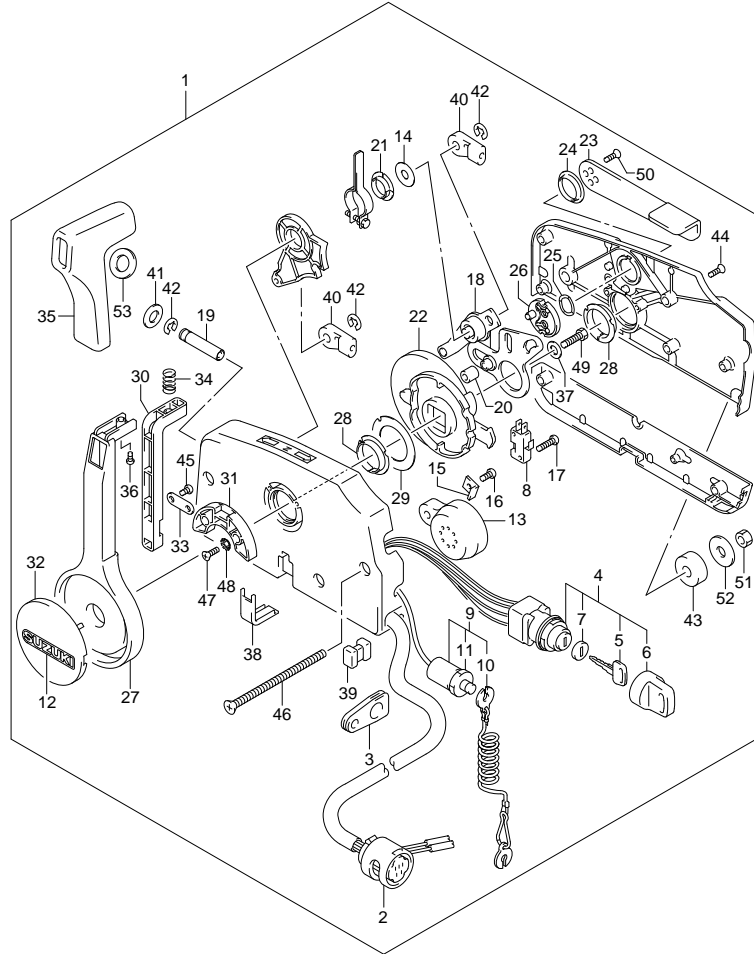


FIG.72 (1-H-5) REMOTE CONTROL (DT30R P40)

REF NO.	PART NO.	DESCRIPTION	QTY	REMARKS
49	09100-08232	·BOLT (8X30)	1	
50	09126-05003	·SCREW (5X12)	2	
51	09140-06020	·NUT	3	
52	09160-06104	·WASHER (6.5X24X2)	3	
53	37859-90J00	·SPACER	1	FOR 67200-97E42

FIG.73

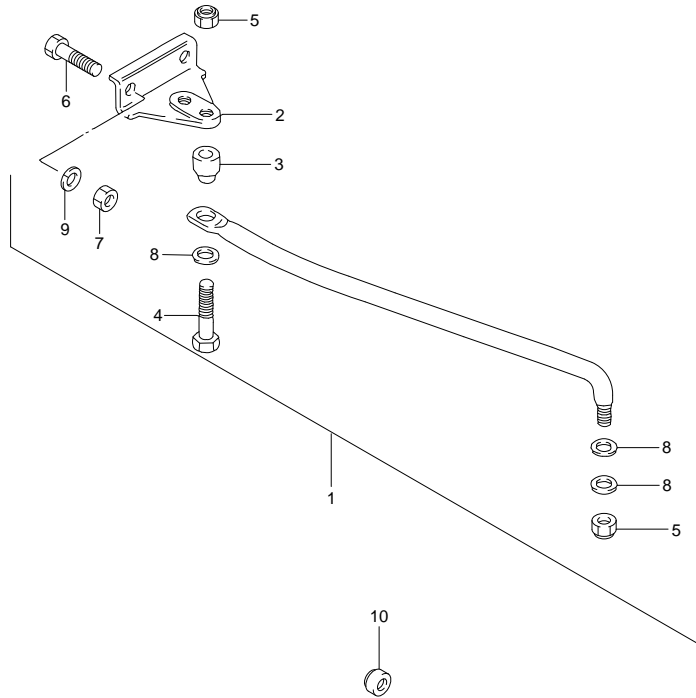


FIG.73 (1-H-6) DRAG LINK (DT30R P40)

REF NO.	PART NO.	DESCRIPTION	Q' TY	REMARKS
1	67701-94420	DRAG LINK ASSY	1	
2	43755-96320	·ATTACHMENT, STEERING BRACKET	1	
3	67721-94310	·SPACER	1	
4	67725-99E10	·BOLT	1	
5	67726-99E00	·NUT	2	
6	29101-93J00	·BOLT	2	
7	09140-08023-XC0	·NUT	2	
8	67728-99E00	·WASHER	3	
9	29162-93J10	·LOCK WASHER	2	
10	41161-94400	SEAL, STEERING CABLE	1	

FIG.74

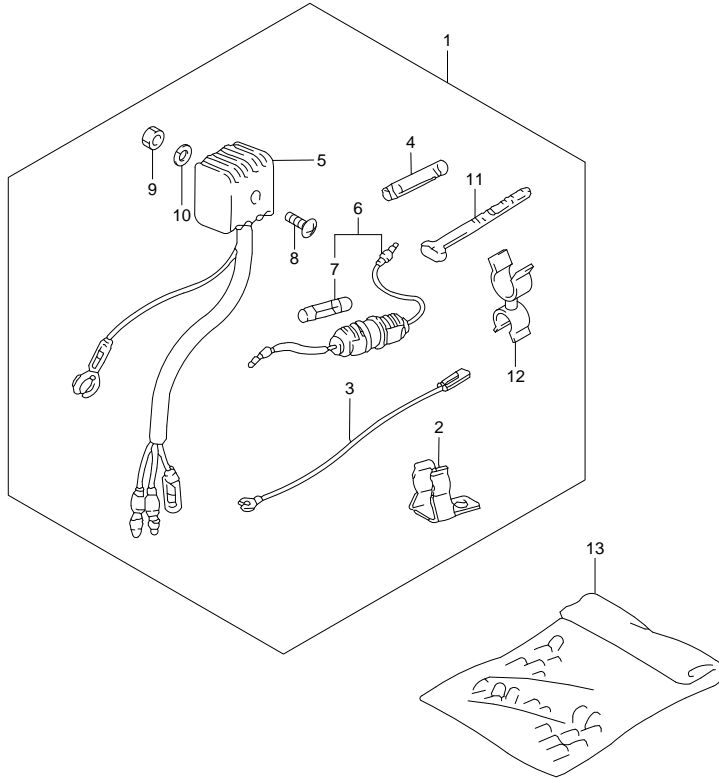
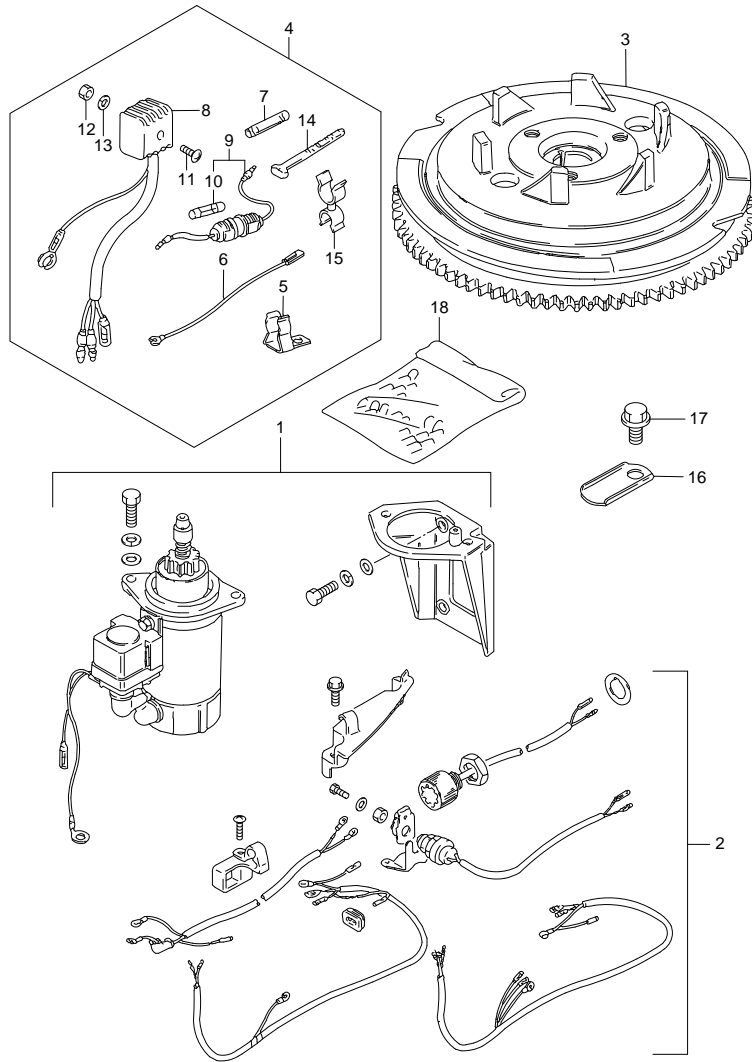


FIG.74 (1-H-7) OPT:ELECTRICAL (MANUAL STARTER) (DT25K P36)

REF NO.	PART NO.	DESCRIPTION	Q'TY	REMARKS
1	32801-96304	RECTIFIER SET	1	
2	36791-95200	·HOLDER	1	
3	37801-98300	·LEAD, WIRE	1	
4	37132-93700	·WIRE, CONNECTOR	1	
5	32800-95D01	·RECTIFIER	1	
6	36740-95253	·CASE ASSY, FUSE	1	
7	09481-20001	··FUSE (20A)	1	
8	02142-05257	·SCREW	1	
9	08310-00057	·NUT	1	
10	08321-0105A	·WASHER	1	
11	09407-14403	·CLAMP (L:125)	1	
12	09408-00045	·CLAMP	1	
13	36990-87D00	TERMINAL & SLEEVE SET	1	

FIG.75

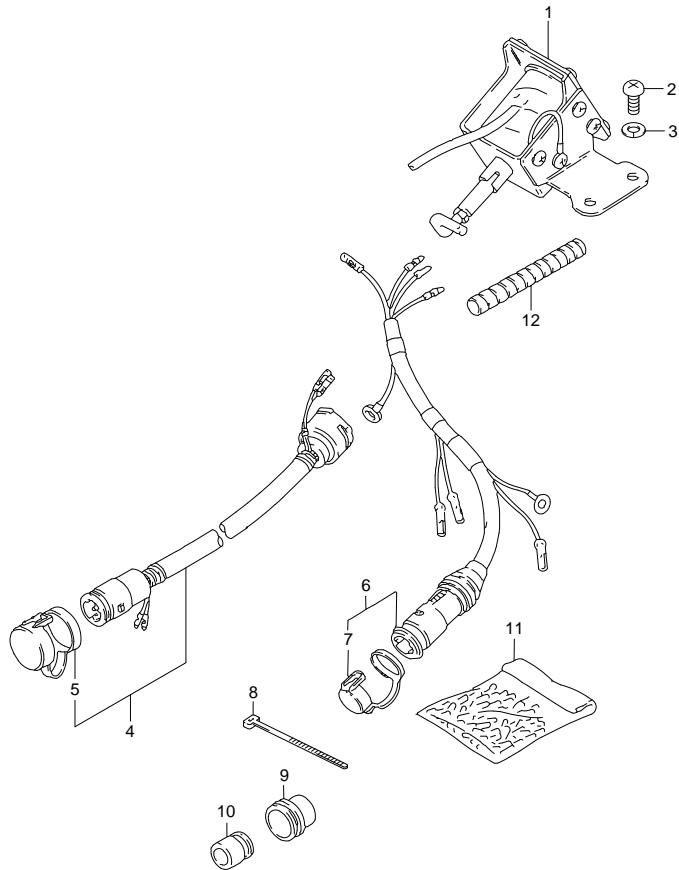
FIG.75 (1-H-8) OPT:ELECTRICAL (MANUAL STARTER) (DT30 P40)



REF NO.	PART NO.	DESCRIPTION	Q'TY	REMARKS
1	31101-96320-OEP	MOTOR SET, STARTER	1	
2	33800-96304	SWITCH, STARTER/CABLE SET	1	
3	32102-96462	FLYWHEEL	1	
4	32801-96304	RECTIFIER SET	1	
5	36791-95200	·HOLDER	1	
6	37801-98300	·LEAD, WIRE	1	
7	37132-93700	·WIRE, CONNECTOR	1	
8	32800-95D01	·RECTIFIER	1	
9	36740-95253	·CASE ASSY, FUSE	1	
10	09481-20001	··FUSE (20A)	1	
11	02142-05257	·SCREW	1	
12	08310-00057	·NUT	1	
13	08321-0105A	·WASHER	1	
14	09407-14403	·CLAMP (L:125)	1	
15	09408-00045	·CLAMP	1	
16	33815-94501	PROTECTOR, CABLE	1	
17	09103-06049	BOLT (6X12)	1	
18	36990-87D00	TERMINAL & SLEEVE SET	1	

FIG.76

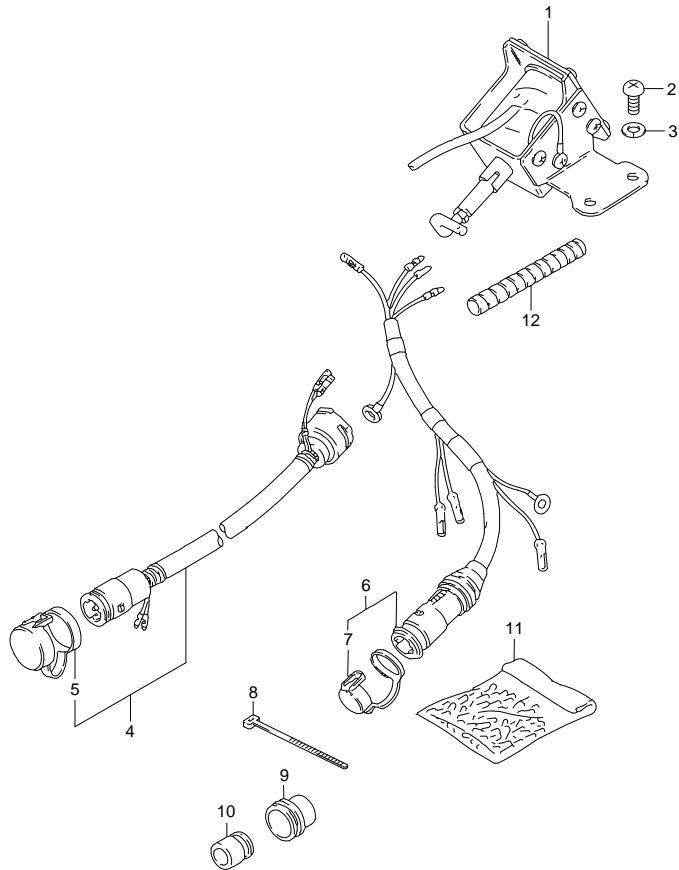
FIG.76 (1-H-9) OPT:ELECTRICAL (ELECTRIC STARTER) (DT30 P40)



REF NO.	PART NO.	DESCRIPTION	QTY	REMARKS
1	38600-96301	SOLENOID, CHOKE	1	
2	02112-05127	SCREW	2	
3	08321-0105A	WASHER	2	
4-1	36620-87D20	WIRING HARNESS, REMO-CON	1	L:5000
4-2	36620-95302	WIRING HARNESS, REMO-CON	1	L:2000
4-3	36620-95D00	WIRING HARNESS, REMO-CON	1	
5	36631-94300	·CAP, REMO-CON HARNESS	1	FOR 36620-87D20 36620-95302
6-1	36630-96321	WIRING HARNESS, REMO-CON	1	
6-2	36630-96311	WIRING HARNESS, REMO-CON	1	
7	36631-94300	·CAP, REMO-CON HARNESS	1	FOR 36630-96321
8	09407-25402	CLAMP (L:248)	1	
9	36612-94301	GROMMET, 1	1	
10	36613-94300	GROMMET, 2	1	
11	36990-87D00	TERMINAL & SLEEVE SET	1	
12	33833-91J00	TUBE	1	L:50

FIG.77

FIG.77 (1-H-10) OPT:ELECTRICAL (ELECTRIC STARTER) (DT30R P40)



REF NO.	PART NO.	DESCRIPTION	QTY	REMARKS
1	38600-96301	SOLENOID, CHOKE	1	
2	02112-05127	SCREW	2	
3	08321-0105A	WASHER	2	
4-1	36620-87D20	WIRING HARNESS, REMO-CON	1	L:5000
4-2	36620-95302	WIRING HARNESS, REMO-CON	1	L:2000
4-3	36620-95D00	WIRING HARNESS, REMO-CON	1	
5	36631-94300	·CAP, REMO-CON HARNESS	1	FOR 36620-87D20 36620-95302
6-1	36630-96321	WIRING HARNESS, REMO-CON	1	
6-2	36630-96311	WIRING HARNESS, REMO-CON	1	
7	36631-94300	·CAP, REMO-CON HARNESS	1	FOR 36630-96321
8	09407-25402	CLAMP (L:248)	1	
9	36612-94301	GROMMET, 1	1	
10	36613-94300	GROMMET, 2	1	
11	36990-87D00	TERMINAL & SLEEVE SET	1	
12	33833-91J00	TUBE	1	L:50

FIG.78

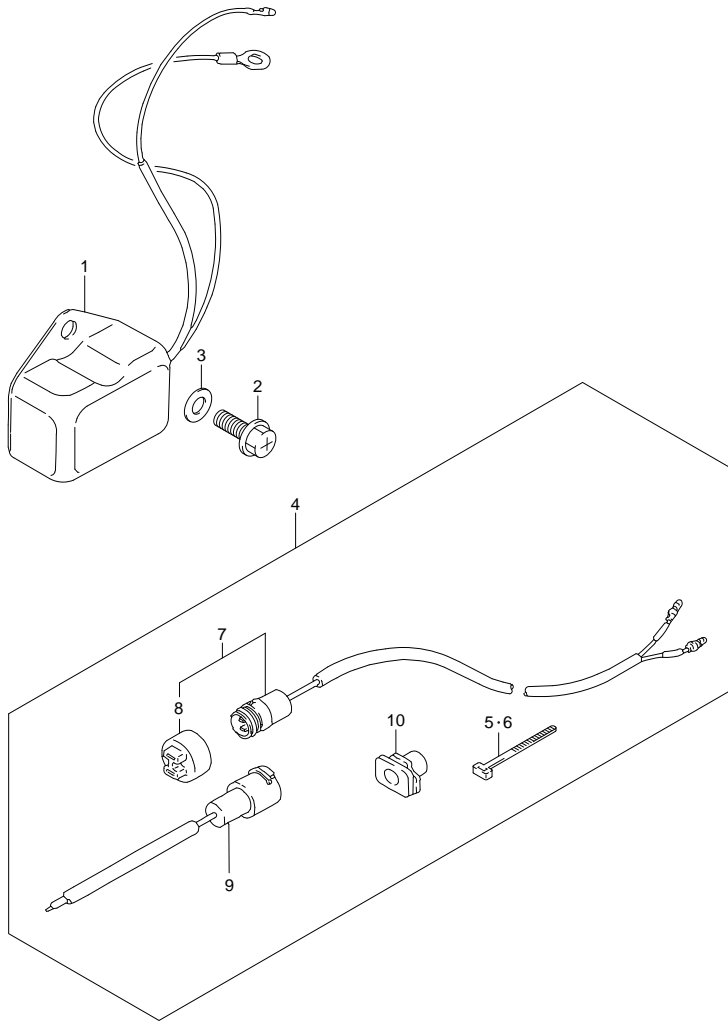


FIG.78 (1-H-11) OPT:REGULATOR (DT25K P36)

REF NO.	PART NO.	DESCRIPTION	QTY	REMARKS
1	32500-95722	REGULATOR, VOLTAGE	1	
2	02162-06127	SCREW	2	
3	08322-01067	WASHER	2	
4	39600-93910	RECEPTACLE SET	1	
5	09407-25402	·CLAMP (L:248)	1	
6	09407-10403	·CLAMP (L:95)	1	
7	39601-95D00	·RECEPTACLE ASSY, LIGHTING	1	
8	36634-93910	··CAP, LIGHTING RECEPTACLE	1	
9	39602-93900	·PLUG ASSY, LAMP CORD	1	
10	39603-94400	·GROMMET	1	

FIG.79

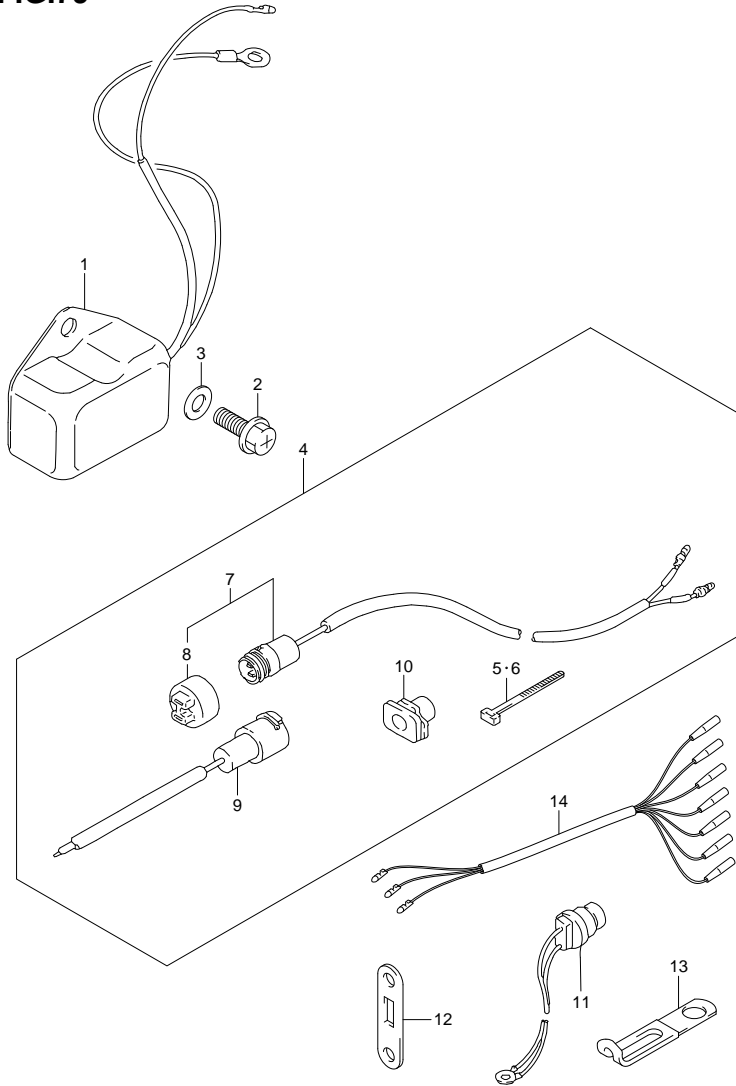


FIG.79 (1-H-12) OPT:REGULATOR (DT30 P40)

REF NO.	PART NO.	DESCRIPTION	QTY	REMARKS
1	32500-95722	REGULATOR, VOLTAGE	1	
2	02162-06127	SCREW	2	
3	08322-01067	WASHER	2	
4	39600-93910	RECEPTACLE SET	1	MANUAL STARTER
5	09407-25402	·CLAMP (L:248)	1	
6	09407-10403	·CLAMP (L:95)	1	
7	39601-95D00	·RECEPTACLE ASSY, LIGHTING	1	
8	36634-93910	··CAP, LIGHTING RECEPTACLE	1	
9	39602-93900	·PLUG ASSY, LAMP CORD	1	
10	39603-94400	·GROMMET	1	
11	34850-94700	SENSOR, HEAT	1	ELECTRIC STARTER
12	34853-94301	SUPPORT, HEAT SENSOR	1	ELECTRIC STARTER
13	09404-08205	CLAMP (L:45)	1	ELECTRIC STARTER
14	36630-92E00	WIRE ASSY, INSTRUMENT	1	ELECTRIC STARTER

FIG.80

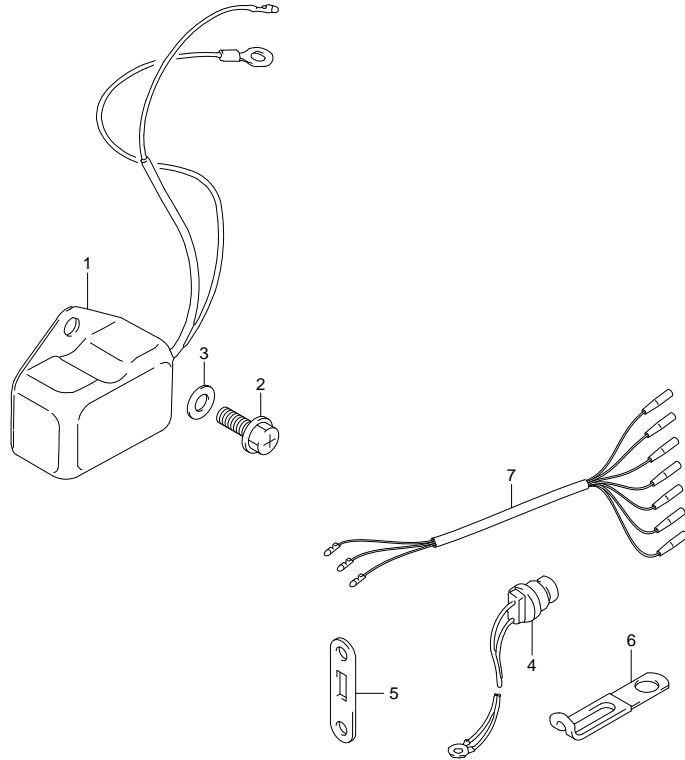


FIG.80 (1-H-13) OPT:REGULATOR (DT30R P40)

REF NO.	PART NO.	DESCRIPTION	Q' TY	REMARKS
1	32500-95722	REGULATOR, VOLTAGE	1	
2	02162-06127	SCREW	2	
3	08322-01067	WASHER	2	
4	34850-94700	SENSOR, HEAT	1	
5	34853-94301	SUPPORT, HEAT SENSOR	1	
6	09404-08205	CLAMP (L:45)	1	
7	36630-92E00	WIRE ASSY, INSTRUMENT	1	

FIG.81

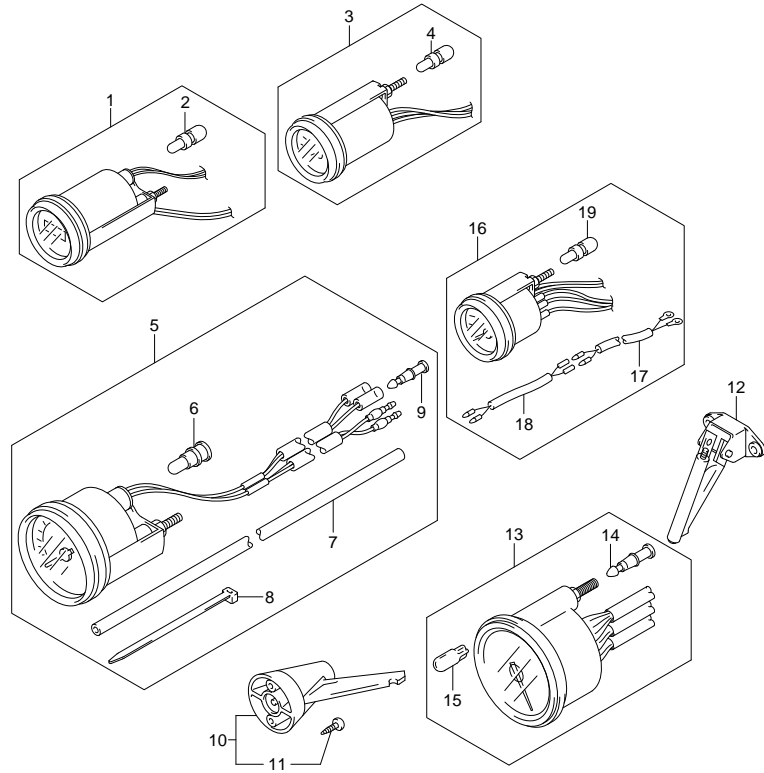


FIG.81 (1-H-14) OPT:METER (DT30 P40)

REF NO.	PART NO.	DESCRIPTION	Q'TY	REMARKS
1-1	34500-93J00	METER ASSY, HOUR	1	BLACK
1-2	34500-93J11	METER ASSY, HOUR	1	WHITE
2	09471-12103	·BULB (12V,3.4W)	1	
3-1	34600-93J00	METER ASSY, VOLTAGE	1	BLACK
3-2	34600-93J11	METER ASSY, VOLTAGE	1	WHITE
4	09471-12103	·BULB (12V,3.4W)	1	
5-1	34100-93J20	SPEEDOMETER ASSY	1	MAX 80KM/H BLACK
5-2	34100-93J31	SPEEDOMETER ASSY	1	MAX 80KM/H WHITE
5-3	34100-93J40	SPEEDOMETER ASSY	1	MAX 45KNOTS BLACK
5-4	34100-93J51	SPEEDOMETER ASSY	1	MAX 45KNOTS WHITE
6	09471-12028	·BULB (12V,3.4W)	1	
7	34191-92E00	·TUBE	1	
8	09407-14407	·BAND	2	
9	36615-96300	·TERMINAL, RESIN	2	
10	34190-95500	SENDER ASSY, SPEEDOMETER	1	
11	03112-06303	·SCREW	2	
12	34190-87D00	SENDER ASSY, SPEEDOMETER	1	
13-1	34200-93J20	TACHOMETER ASSY	1	BLACK
13-2	34200-93J31	TACHOMETER ASSY	1	WHITE
14	36615-96300	·TERMINAL	4	
15	09471-12028	·BULB (12V,3.4W)	1	
16-1	34300-93J00	GAUGE ASSY, FUEL	1	BLACK
16-2	34300-93J11	GAUGE ASSY, FUEL	1	WHITE
17	34310-92E00	·LEAD, FUEL GAUGE	1	
18	34360-92E00	·ADAPTER, FUEL GAUGE	1	
19	09471-12103	·BULB (12V,3.4W)	1	

FIG.82

FIG.82 (1-H-15) OPT:METER (DT30R P40)

REF NO.	PART NO.	DESCRIPTION	Q'TY	REMARKS
1-1	34500-93J00	METER ASSY, HOUR	1	BLACK
1-2	34500-93J11	METER ASSY, HOUR	1	WHITE
2	09471-12103	·BULB (12V,3.4W)	1	
3-1	34600-93J00	METER ASSY, VOLTAGE	1	BLACK
3-2	34600-93J11	METER ASSY, VOLTAGE	1	WHITE
4	09471-12103	·BULB (12V,3.4W)	1	
5-1	34100-93J20	SPEEDOMETER ASSY	1	MAX 80KM/H BLACK
5-2	34100-93J31	SPEEDOMETER ASSY	1	MAX 80KM/H WHITE
5-3	34100-93J40	SPEEDOMETER ASSY	1	MAX 45KNOTS BLACK
5-4	34100-93J51	SPEEDOMETER ASSY	1	MAX 45KNOTS WHITE
6	09471-12028	·BULB (12V,3.4W)	1	
7	34191-92E00	·TUBE	1	
8	09407-14407	·BAND	2	
9	36615-96300	·TERMINAL, RESIN	2	
10	34190-95500	SENDER ASSY, SPEEDOMETER	1	
11	03112-06303	·SCREW	2	
12	34190-87D00	SENDER ASSY, SPEEDOMETER	1	
13-1	34200-93J20	TACHOMETER ASSY	1	BLACK
13-2	34200-93J31	TACHOMETER ASSY	1	WHITE
14	36615-96300	·TERMINAL	4	
15	09471-12028	·BULB (12V,3.4W)	1	
16-1	34300-93J00	GAUGE ASSY, FUEL	1	BLACK
16-2	34300-93J11	GAUGE ASSY, FUEL	1	WHITE
17	34310-92E00	·LEAD, FUEL GAUGE	1	
18	34360-92E00	·ADAPTER, FUEL GAUGE	1	
19	09471-12103	·BULB (12V,3.4W)	1	

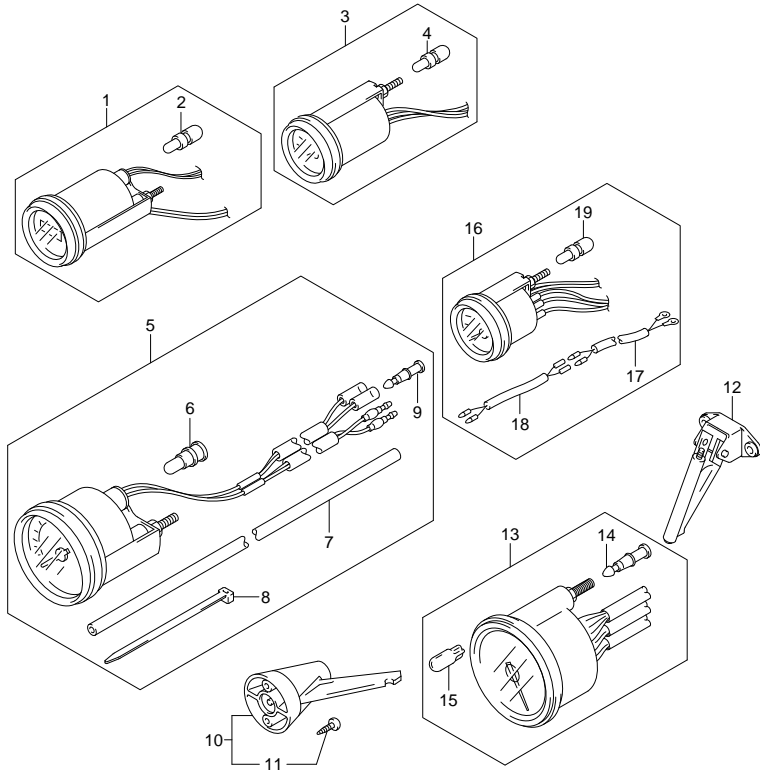


FIG.83

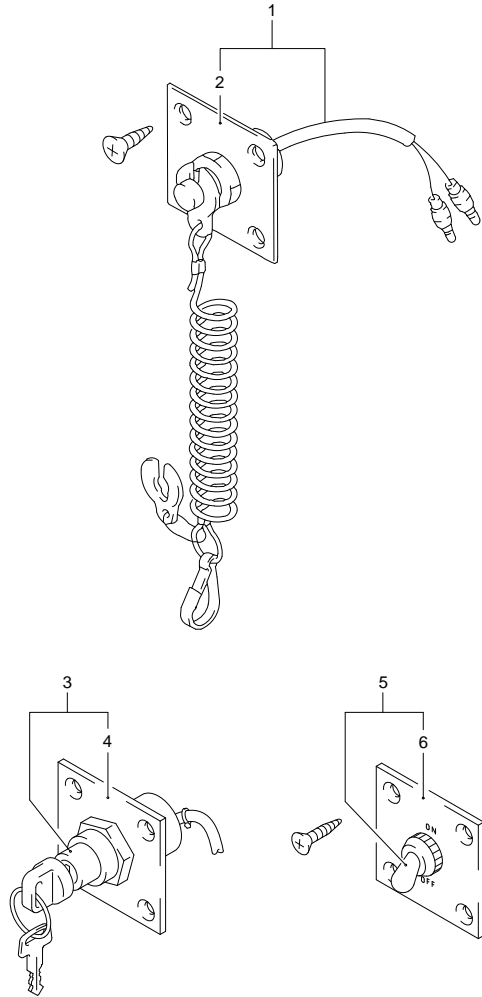


FIG.83 (1-I-2) OPT:SWITCH PANEL (DT30 P40)

REF NO.	PART NO.	DESCRIPTION	Q'TY	REMARKS
1	37803-99E03	PANEL ASSY, EMERGENCY SWITCH	1	
2	37825-99E00	·PANEL	1	
3	37100-99E00	PANEL ASSY, IGNITION SWITCH	1	
4	37139-99E00	·PANEL	1	
5	37210-93J00	PANEL ASSY, LIGHTING SW	1	
6	37212-93J00	·PANEL	1	

FIG.84

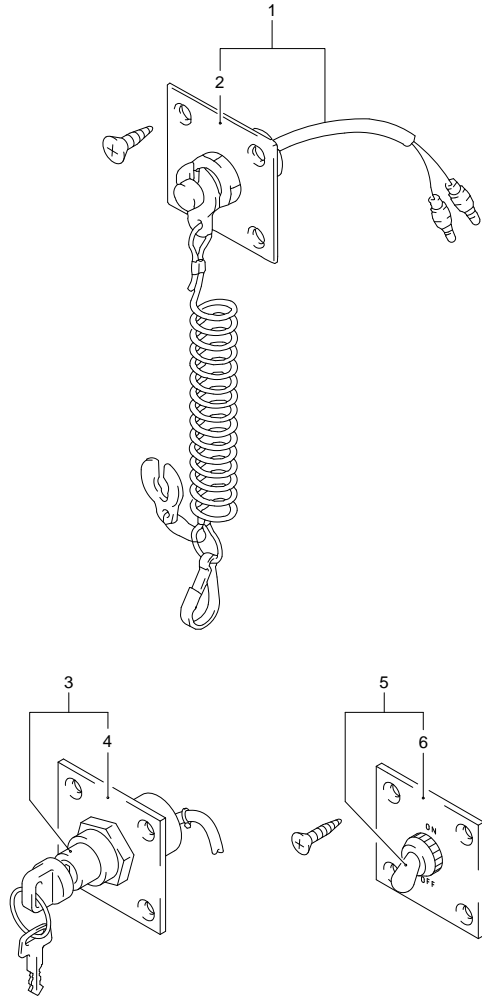


FIG.84 (1-I-3) OPT:SWITCH PANEL (DT30R P40)

REF NO.	PART NO.	DESCRIPTION	Q'TY	REMARKS
1	37803-99E03	PANEL ASSY, EMERGENCY SWITCH	1	
2	37825-99E00	·PANEL	1	
3	37100-99E00	PANEL ASSY, IGNITION SWITCH	1	
4	37139-99E00	·PANEL	1	
5	37210-93J00	PANEL ASSY, LIGHTING SW	1	
6	37212-93J00	·PANEL	1	

FIG.85

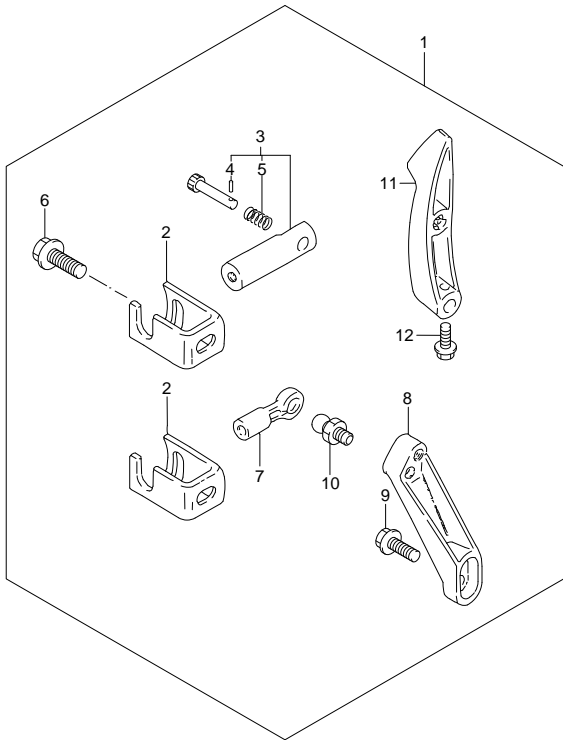


FIG.85 (1-I-4) OPT:REMOCON PARTS

REF NO.	PART NO.	DESCRIPTION	Q' TY	REMARKS
1	67130-96310-0EP	REMOTE CONTROL PARTS SET	1	
2	67341-94302	·HOLDER, REMO-CON CABLE	2	
3	67440-93701	·GUIDE, CLUTCH CABLE	1	
4	09205-02006	··PIN	1	
5	09440-09042	··SPRING	1	
6	09116-06094	·BOLT (6X15)	2	
7	67466-95200	·CONNECTOR, REMO-CON CABLE	1	
8	67414-94301-0EP	·LEVER, REMO-CON THROTTLE	1	
9	09116-06094	·BOLT (6X15)	1	
10	09119-06047	·BALL PIVOT	1	
11	21111-96303-0EP	·LEVER, CLUTCH	1	
12	09103-06093	·BOLT (6X20)	1	

FIG.86

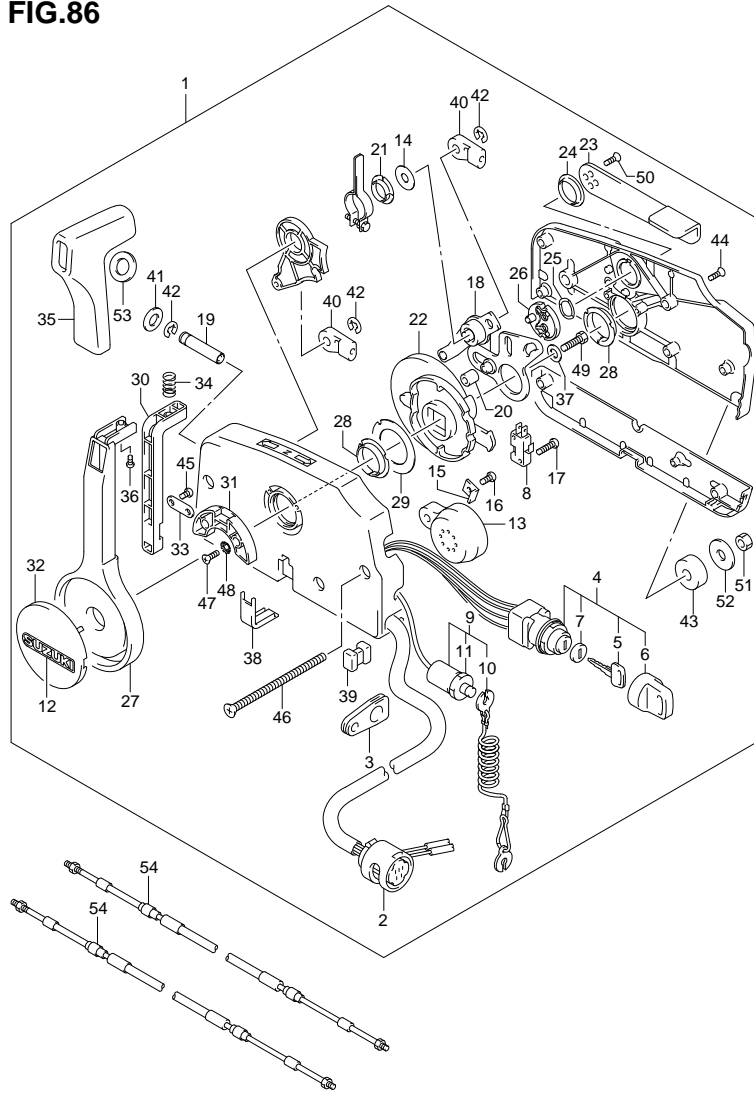


FIG.86 (1-I-5) OPT:REMOTE CONTROL

REF NO.	PART NO.	DESCRIPTION	Q'TY	REMARKS
1-1	67200-97E42	REMOTE CONTROL ASSY	1	
1-2	67200-939B2	REMOTE CONTROL ASSY	1	
2	36620-95D10	WIRE ASSY, REMOCON	1	FOR 67200-97E42
3	36628-92E00	GROMMET	1	
4	37110-99E00	SWITCH ASSY, IGNITION	1	FOR 67200-97E42
5-1	37141-99E00	KEY (931)	1	FOR 67200-97E42
5-2	37141-99E10	KEY (932)	1	FOR 67200-97E42
5-3	37141-99E20	KEY (933)	1	FOR 67200-97E42
5-4	37141-99E30	KEY (934)	1	FOR 67200-97E42
5-5	37141-99E40	KEY (935)	1	FOR 67200-97E42
5-6	37141-99E50	KEY (936)	1	FOR 67200-97E42
5-7	37141-99E60	KEY (937)	1	FOR 67200-97E42
5-8	37141-99E70	KEY (938)	1	FOR 67200-97E42
5-9	37141-99E80	KEY (939)	1	FOR 67200-97E42
5-10	37141-99E90	KEY (940)	1	FOR 67200-97E42
5-11	37141-99EA0	KEY (941)	1	FOR 67200-97E42
5-12	37141-99EB0	KEY (942)	1	FOR 67200-97E42
6	37143-99E00	CAP, KEY	1	FOR 67200-97E42
7	37149-93J00	CAP, CYLINDER BODY	1	FOR 67200-97E42
8	37721-94600	SWITCH, NEUTRAL	1	FOR 67200-97E42
9-1	37820-92E03	SWITCH ASSY, EMERGENCY	1	FOR 67200-97E42
9-2	37830-95D02	SWITCH ASSY, EMERGENCY & STOP	1	FOR 67200-939B2
10	37823-92E01	PLATE	1	
11	37826-92E00	NUT	1	
12	68165-16B00-13L	EMBLEM, SUZUKI (SILVER)	1	
13	38500-92X50	BUZZER, WARNING	1	FOR 67200-97E42
14	67212-95600	WASHER	1	
15	67213-92E00	BRACKET, BUZZER	1	FOR 67200-97E42
16	09125-05042	SCREW (5X10)	1	FOR 67200-97E42
17	67296-92E10	SCREW, BUZZER BRKT	2	FOR 67200-97E42

FIG.86

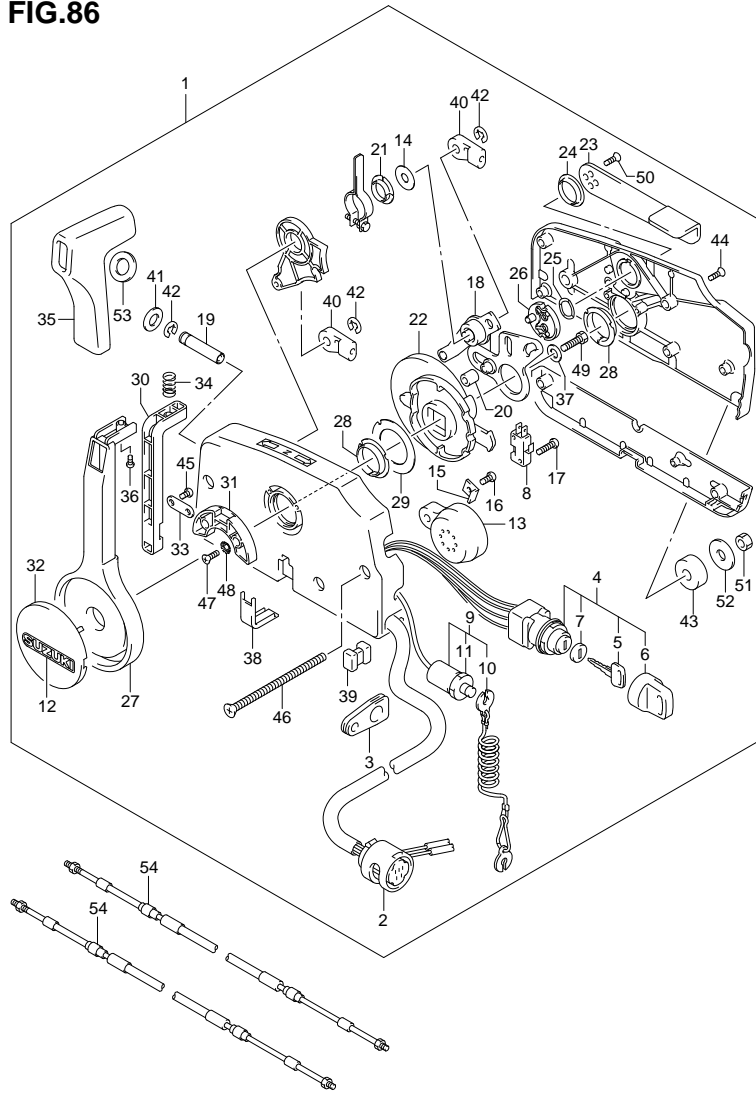


FIG.86 (1-I-6) OPT:REMOTE CONTROL

REF NO.	PART NO.	DESCRIPTION	Q'TY	REMARKS
18	67220-95620	·PLATE ASSY	1	
19	67223-99E10	·KNOB, BRAKE ADJUST	1	
20	67229-95600	·ROLLER	1	
21	67232-95600	·BUSH	1	
22	67238-87D00	·GEAR, DRIVE	1	
23	67241-99E10	·LEVER, FREE THROTTLE	1	
24	67243-95600	·BUSH	1	
25	67244-95600	·WAVE WASHER	1	
26	67245-95600	·DRUM, FREE THROTTLE	1	
27	67251-99E10	·LEVER, HANDLE	1	
28	67252-95600	·BUSH	1	
29	67253-95600	·WASHER	1	
30	67255-99E00	·ARM, LOCK	1	
31	67256-95600	·HOLDER, NEUT LOCK	1	
32	67257-99E00	·CAP, LEVER	1	
33	67258-99E00	·BRACKET	1	
34	67259-87D00	·SPRING, NEUTRAL ARM	1	
35	67261-99E00	·GRIP	1	
36	67296-94310	·SCREW, BUZZER BRKT	1	
37	67264-95600	·WASHER	1	
38	67267-95610	·COVER, WIRE	1	
39	67273-95600	·SPACER	1	
40	67275-95600	·END, CABLE	2	
41	67288-92E00	·WASHER	1	
42	67292-94300	·E RING	3	
43	67294-95600	·SPACER	3	
44	67296-90J00	·SCREW, COVER	5	
45	67296-94300	·SCREW	2	
46	67296-95600	·SCREW	3	
47	67296-95610	·SCREW	2	
48	67297-95600	·WASHER	2	

FIG.86

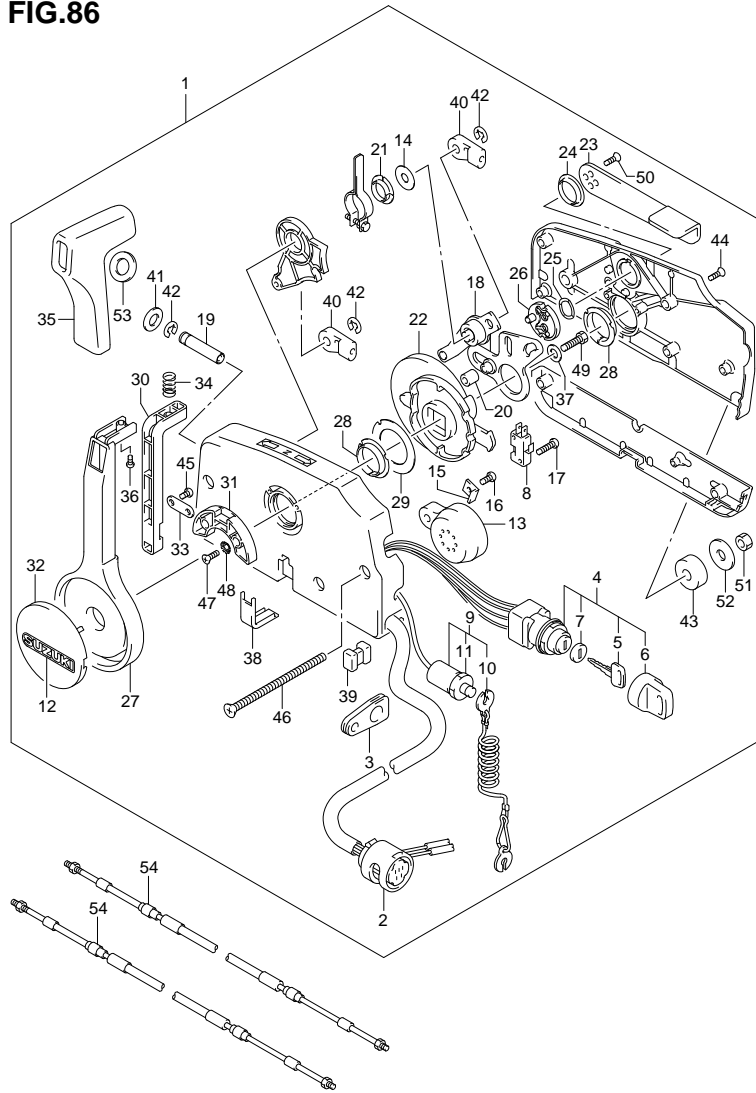


FIG.86 (1-I-7) OPT:REMOTE CONTROL

REF NO.	PART NO.	DESCRIPTION	Q' TY	REMARKS
49	09100-08232	·BOLT (8X30)	1	
50	09126-05003	·SCREW (5X12)	2	
51	09140-06020	·NUT	3	
52	09160-06104	·WASHER (6.5X24X2)	3	
53	37859-90J00	·SPACER	1	
54-1	67320-93J00	CABLE, REMOCON 8F (2.4M)	2	
54-2	67320-93J10	CABLE, REMOCON 10F (3.1M)	2	
54-3	67320-93J20	CABLE, REMOCON 12F (3.7M)	2	
54-4	67320-93J30	CABLE, REMOCON 14F (4.3M)	2	
54-5	67320-93J40	CABLE, REMOCON 16F (4.9M)	2	
54-6	67320-93J50	CABLE, REMOCON 18F (5.5M)	2	
54-7	67320-93J60	CABLE, REMOCON 20F (6.1M)	2	
54-8	67320-93J70	CABLE, REMOCON 22F (6.7M)	2	
54-9	67320-93J80	CABLE, REMOCON 24F (7.3M)	2	

FIG.87

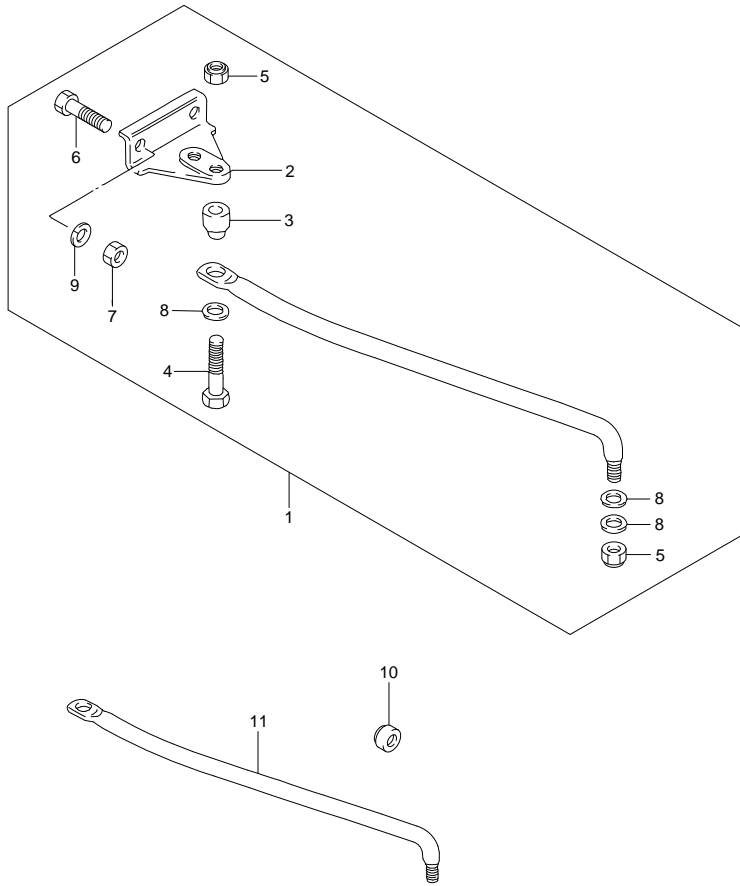


FIG.87 (1-1-8) OPT:DRAG LINK

REF NO.	PART NO.	DESCRIPTION	Q' TY	REMARKS
1	67701-94420	DRAG LINK ASSY	1	
2	43755-96320	·ATTACHMENT, STEERING BRACKET	1	
3	67721-94310	·SPACER	1	
4	67725-99E10	·BOLT	1	
5	67726-99E00	·NUT	2	
6	29101-93J00	·BOLT	2	
7	09140-08023-XC0	·NUT	2	
8	67728-99E00	·WASHER	3	
9	29162-93J10	·LOCK WASHER	2	
10	41161-94400	SEAL, STEERING CABLE	1	
11	67711-97E60	DRAG LINK	1	

PART NO.	FIG. NO. -REF. NO.	PART NO.	FIG. NO. -REF. NO.	PART NO.	FIG. NO. -REF. NO.
10000			5 - 3	13235-94350	10 - 5
			6 - 3		11 - 5
		12161-96300	4 - 8		12 - 5
			5 - 8	13240-94620	11 - 18
			6 - 8		12 - 18
11111-91L00	2 - 3	12200-91L00	5 - 7	13245-94350	10 - 18
	3 - 3		6 - 7	13250-93012	10 - 7
11111-91L10	1 - 3	12200-91L10	4 - 7		11 - 6
11141-96344	1 - 4	12211-96311	4 - 11		12 - 6
	2 - 4		4 - 12	13251-93320	11 - 7
	3 - 4		5 - 11		12 - 7
11161-91L00	1 - 1		5 - 12	13254-98300	10 - 9
	2 - 1		6 - 11		11 - 8
	3 - 1		6 - 12		12 - 8
11162-96310	1 - 2	12221-96307	4 - 13	13254-98410	10 - 8
	2 - 2		5 - 13	13265-94360	10 - 21
	3 - 2		6 - 13	13268-96111	10 - 12
11300-91L00	1 - 8	12231-96304	4 - 15		11 - 10
	2 - 8		5 - 15		12 - 10
	3 - 8		6 - 15	13269-93311	11 - 4
11411-91L00	13 - 1	12232-96306	4 - 14		12 - 4
	14 - 1		5 - 14	13269-98100	10 - 4
	15 - 1		6 - 14	13270-94350	10 - 6
11413-96310	13 - 2	12240-96306	4 - 17	13271-93311	11 - 3
	14 - 2		5 - 17		12 - 3
	15 - 2		6 - 17	13282-94350	10 - 26
11431-91L00	16 - 2	12481-91L00	8 - 4	13370-28110	10 - 11
	17 - 2		9 - 4		11 - 9
	18 - 2	12481-91L10	7 - 3		12 - 9
11433-96330	16 - 1	13121-96400	7 - 4	13370-94350	10 - 10
	17 - 1	13125-93010	8 - 5	13392-58600	10 - 22
	18 - 1		9 - 5		11 - 13
12100-91L00-050	4 - 23	13125-95210	7 - 5		12 - 13
	5 - 24	13150-96300	7 - 8	13415-94350	10 - 19
	6 - 24		8 - 8	13418-94360	10 - 20
12110-91L00-0B0	4 - 1		9 - 8	13419-94400	10 - 32
	5 - 1	13152-96300	7 - 9	13441-94350	10 - 24
	6 - 1		8 - 9	13443-94350	10 - 28
12140-96351-050	4 - 24		9 - 9	13446-94360	10 - 31
	5 - 25	13153-96300	7 - 10	13450-94350	10 - 23
	6 - 25		8 - 10	13461-94350	10 - 27
12140-96361	4 - 2		9 - 10	13521-78100	10 - 25
	5 - 2	13200-964J0	11 - 1	13534-96300	10 - 17
	6 - 2		12 - 1		11 - 11
12151-92502	4 - 3	13200-96461	10 - 1		12 - 11

PART NO.	FIG. NO. -REF. NO.	PART NO.	FIG. NO. -REF. NO.	PART NO.	FIG. NO. -REF. NO.
13580-96351	10 - 30	15186-94300	20 - 4	17471-94411	22 - 5
13616-93900	10 - 13		21 - 4		23 - 5
13625-94300	59 - 30	15321-96300	19 - 5		24 - 5
	60 - 28	15321-99710	20 - 7	17472-96303	22 - 6
	61 - 27		21 - 7		23 - 6
13631-93501	10 - 33	15322-96300	19 - 15		24 - 6
	11 - 21	15331-94300	20 - 16	17560-96304	22 - 7
	12 - 21		21 - 16		23 - 7
13651-94350	10 - 15	15410-90L00	19 - 11		24 - 7
	10 - 16		20 - 12	17560-96314	23 - 7
13651-95300	10 - 14		21 - 12		24 - 7
13681-96301	11 - 14	15413-87D10	19 - 13	17563-96301	22 - 8
	12 - 14		20 - 14		23 - 8
13682-96300	11 - 15		21 - 14		24 - 8
	12 - 15	15430-87D10	19 - 12	17564-96301	22 - 9
13694-96300	11 - 19		20 - 13		23 - 9
	12 - 19		21 - 13		24 - 9
13811-96300	8 - 18	15851-94300	20 - 5	17565-96300	22 - 10
	9 - 18		21 - 5		23 - 10
13811-96351	7 - 19	16710-95211	1 - 18		24 - 10
14131-91L00	7 - 16		2 - 18	17566-96302	22 - 11
	8 - 15		3 - 19		23 - 11
	9 - 15	16911-92E20	19 - 10		24 - 11
14141-91L00	7 - 17		20 - 18	17631-96320	58 - 18
	8 - 16		21 - 18	17670-93962	2 - 14
	9 - 16	17400-96403	22 - 21		3 - 14
14151-96311	7 - 15		23 - 21	17670-94402	1 - 14
	8 - 14		24 - 21	17681-91L00	1 - 19
	9 - 14	17410-94431	22 - 1		2 - 19
14211-91L00	16 - 4		23 - 1		3 - 20
	17 - 4		24 - 1	17685-96300	1 - 20
14211-91L10	18 - 4	17431-96302	22 - 2		2 - 20
	17 - 4		23 - 2		3 - 21
	18 - 4		24 - 2	18100-96322	25 - 1
14212-96310	16 - 6	17431-96312	23 - 2		26 - 1
	17 - 6		24 - 2		27 - 1
	18 - 6	17432-96300	22 - 3	18120-96320	25 - 2
15100-94311	20 - 1		23 - 3		26 - 2
	21 - 1		24 - 3		27 - 2
15100-9436V	19 - 1	17453-95D00	22 - 23	18130-96321	25 - 3
15170-94320	20 - 2		23 - 23		26 - 3
	21 - 2		24 - 23		27 - 3
15170-94460	19 - 2	17461-96402	22 - 4	18142-96300	25 - 4
15183-94301	20 - 3		23 - 4		26 - 4
	21 - 3		24 - 4		27 - 4

DT25 30 P40 012

PART NO.	FIG. NO. -REF. NO.	PART NO.	FIG. NO. -REF. NO.	PART NO.	FIG. NO. -REF. NO.
18151-96310	25 - 5 26 - 5 27 - 5	19720-96302	30 - 6 29 - 7 30 - 7	23111-96300	31 - 9 32 - 9 33 - 5
18210-93002	25 - 6 26 - 6	19761-96301	29 - 8 30 - 8	23131-93900	31 - 10 32 - 10
18280-96320	27 - 6 25 - 7 26 - 7 27 - 7	19761-96351	28 - 5	23131-94300	33 - 6 31 - 11 32 - 11 33 - 7
18290-96311	25 - 9	19811-91L00	29 - 9 30 - 9	23311-95DL0	31 - 12
18293-96310	26 - 9 27 - 9 25 - 10 26 - 10 27 - 10	19859-94300	29 - 10 30 - 10	25111-91L00	32 - 12 33 - 8 32 - 24 33 - 17
18411-96301	25 - 12 26 - 12 27 - 12	21111-91L00-0EP	33 - 29	25111-91L10	31 - 24
18498-91J00	65 - 25	21111-96303-0EP	85 - 11	25211-96301	32 - 24 33 - 17 31 - 25 32 - 25 33 - 18
18642-96301	28 - 12	21111-96311	31 - 1		
18652-96300	29 - 21 30 - 21 28 - 13 29 - 22 30 - 22	21120-96320	32 - 1 31 - 2	25215-96301	31 - 34 32 - 34 33 - 27
18711-91L00	25 - 13 26 - 13 27 - 13	21131-94J00	32 - 2 33 - 1 62 - 7 63 - 6	25222-96300	31 - 26 32 - 26
18721-91L00	25 - 18 26 - 18	21142-96300	31 - 3	25231-96301	33 - 19 31 - 27 32 - 27 33 - 20
19121-96301	28 - 1 29 - 1 30 - 1	21210-96300	32 - 3 31 - 4 32 - 4 33 - 2	25232-96302	31 - 28
19131-95502	28 - 2 29 - 2	21241-96300	31 - 5		
19131-96300	30 - 2 29 - 3 30 - 3	21242-91L00	32 - 5 33 - 3 31 - 6	25311-96303	32 - 28 33 - 21 31 - 29 32 - 29 33 - 22
19132-96300	28 - 3	21311-96300	32 - 6 31 - 7		
19135-96301	29 - 4	21312-96300	32 - 7 33 - 4 31 - 8 32 - 8	29101-93J00	52 - 38 53 - 44 54 - 44 73 - 6 87 - 6
19135-96350	30 - 4 28 - 4	22511-99011	52 - 2	29103-93J00	59 - 9 60 - 9 61 - 9
19141-96301	29 - 5		53 - 2 54 - 2 59 - 1 60 - 1 61 - 1	29103-94400	16 - 5 17 - 5
19656-96300	30 - 5 29 - 6				

PART NO.	FIG. NO. -REF. NO.	PART NO.	FIG. NO. -REF. NO.	PART NO.	FIG. NO. -REF. NO.
29103-94400	18 - 5		45 - 2		40 - 3
29116-93J00	22 - 19		46 - 13		41 - 3
	23 - 19		47 - 12	32150-96330	39 - 4
	24 - 19		65 - 27		40 - 4
29116-93J10	52 - 41		66 - 26		41 - 4
	53 - 47			32500-95722	78 - 1
	54 - 47				79 - 1
29125-93J10	51 - 25				80 - 1
	55 - 27			32800-95D01	43 - 1
	56 - 27				44 - 1
		30000			
	57 - 27	31100-94401	37 - 1		74 - 5
29141-93J00	22 - 13		38 - 1		75 - 8
	23 - 13	31101-96320-OEP	75 - 1	32801-96304	74 - 1
	24 - 13	31131-96300	37 - 7		75 - 4
	31 - 16		38 - 7	32890-96310	42 - 1
	32 - 16	31132-96300	37 - 8		43 - 3
	33 - 10		38 - 8		44 - 3
	58 - 22	31135-89J00	37 - 9	32900-96361	42 - 8
29141-93J20	51 - 33		38 - 9	32900-96371	43 - 10
29162-93J00	22 - 14	31173-89J00	37 - 6		44 - 10
	23 - 14		38 - 6	32916-88411	42 - 2
	24 - 14	31281-93340	37 - 10		43 - 4
	58 - 23		38 - 10		44 - 4
29162-93J10	51 - 21	31310-96300	37 - 2	33410-96300	43 - 12
	52 - 39		38 - 2		44 - 12
	53 - 45	31312-96300	37 - 4	33410-96310	42 - 10
	54 - 45		38 - 4	33510-98601	42 - 13
	65 - 4	31320-94400	37 - 3		43 - 15
	66 - 4		38 - 3		44 - 15
	73 - 9	31360-96300	37 - 5	33800-96304	75 - 2
	87 - 9		38 - 5	33810-96305	46 - 7
29404-93J10	1 - 17	31800-94401	37 - 12		47 - 6
	2 - 17		38 - 12	33811-96300	46 - 8
	3 - 17	31805-96350	37 - 13		47 - 7
	20 - 15		38 - 13	33815-94501	46 - 9
	21 - 15	31911-91L00	14 - 4		47 - 8
	39 - 8		15 - 4		75 - 16
	40 - 8	32102-96462	40 - 1	33816-96300	46 - 11
	41 - 8		41 - 1		47 - 10
	42 - 7		75 - 3	33820-89E01	46 - 3
	42 - 12	32102-96472	39 - 1		47 - 2
	43 - 9	32120-96320	39 - 2	33833-91J00	39 - 5
	43 - 14		40 - 2		40 - 5
	44 - 9		41 - 2		41 - 5
	44 - 14	32140-96310	39 - 3		48 - 1

DT25 30 P40 012

PART NO.	FIG. NO. -REF. NO.	PART NO.	FIG. NO. -REF. NO.	PART NO.	FIG. NO. -REF. NO.
33833-91J00	49 - 7 50 - 8 76 - 12 77 - 12	36612-94301	76 - 9 77 - 9	36990-87D00	56 - 26 57 - 26 74 - 13 75 - 18 76 - 11
34100-93J20	81 - 5	36613-94300	76 - 10 77 - 10		
		36615-96300	48 - 8		
34100-93J31	82 - 5 81 - 5		49 - 12 59 - 31 60 - 29	37100-99E00	77 - 11 83 - 3 84 - 3
34100-93J40	81 - 5 82 - 5		81 - 9 81 - 14	37110-99E00	72 - 4 86 - 4
34100-93J51	81 - 5 82 - 5		82 - 9 82 - 14	37132-93700	74 - 4 75 - 7
34190-87D00	81 - 12 82 - 12	36620-87D20	76 - 4 77 - 4	37139-99E00	83 - 4 84 - 4
34190-95500	81 - 10	36620-95D00	76 - 4	37141-99EA0	72 - 5
34191-92E00	82 - 10 81 - 7	36620-95D10	77 - 4 72 - 2	37141-99EB0	86 - 5 72 - 5
34200-93J20	82 - 7 81 - 13 82 - 13	36620-95302	86 - 2 76 - 4 77 - 4	37141-99E00	86 - 5 72 - 5 86 - 5
34200-93J31	81 - 13 82 - 13	36628-92E00	72 - 3 86 - 3	37141-99E10	72 - 5 86 - 5
34300-93J00	81 - 16 82 - 16	36630-92E00	79 - 14 80 - 7	37141-99E20	72 - 5 86 - 5
34300-93J11	81 - 16	36630-96311	50 - 9	37141-99E30	72 - 5
34310-92E00	82 - 16 81 - 17		76 - 6 77 - 6	37141-99E40	86 - 5 72 - 5
34360-92E00	82 - 17 81 - 18 82 - 18	36630-96321	50 - 10 76 - 6 77 - 6	37141-99E50	86 - 5 72 - 5 86 - 5
34500-93J00	81 - 1 82 - 1	36631-94300	50 - 11 76 - 5	37141-99E60	72 - 5 86 - 5
34500-93J11	81 - 1 82 - 1		76 - 7 77 - 5	37141-99E70	72 - 5 86 - 5
34600-93J00	81 - 3		77 - 7	37141-99E80	72 - 5
34600-93J11	82 - 3 81 - 3 82 - 3	36634-93910	78 - 8 79 - 8	37141-99E90	86 - 5 72 - 5
34850-94700	79 - 11 80 - 4	36740-95253	46 - 5 47 - 4 74 - 6	37143-99E00	86 - 5 72 - 6 86 - 6
34853-94301	79 - 12 80 - 5	36791-95200	75 - 9 74 - 2	37149-93J00	72 - 7 86 - 7
36610-96303	45 - 1 46 - 1	36894-95201	75 - 5 51 - 24 55 - 26	37160-96322	49 - 1
36612-93900	50 - 12			37210-93J00	83 - 5 84 - 5

PART NO.	FIG. NO. -REF. NO.	PART NO.	FIG. NO. -REF. NO.	PART NO.	FIG. NO. -REF. NO.
37212-93J00	83 - 6	39603-94400	78 - 10		53 - 6
	84 - 6		79 - 10		54 - 6
37721-94600	72 - 8	39669-94400	59 - 29	43753-96310	52 - 7
	86 - 8		60 - 27		53 - 7
37721-96354	49 - 2			43755-96320	52 - 37
	50 - 1				53 - 43
37725-94302	49 - 3				54 - 43
	50 - 2				73 - 2
37726-96303	49 - 4	4 0 0 0 0		45231-96302	87 - 2
	50 - 3				52 - 16
37801-98300	74 - 3	41111-91L00-0EP	51 - 1		53 - 16
	75 - 6	41121-91L00-0EP	51 - 6		54 - 15
37803-99E03	83 - 1	41130-96361	51 - 12	45241-96303	52 - 18
	84 - 1	41151-94500	51 - 13		53 - 18
37820-92E03	72 - 9	41153-96300	51 - 14		54 - 17
	86 - 9	41161-94400	73 - 10	45246-96302	52 - 17
37823-92E01	48 - 3		87 - 10		53 - 17
	49 - 9	41200-95D00	51 - 26		54 - 16
	72 - 10	41211-93003	51 - 2	45252-96303	52 - 19
	86 - 10		51 - 7		53 - 19
37825-99E00	83 - 2		51 - 11		54 - 18
	84 - 2	41211-93900	51 - 11	45255-95500	53 - 36
37826-92E00	48 - 4	41211-93920	51 - 11		54 - 36
	49 - 10	41212-91L00-0EP	51 - 3	45255-96302	52 - 20
	72 - 11		51 - 8		53 - 20
	86 - 11	41213-98100	51 - 4		54 - 19
37830-92L00	48 - 2		51 - 9	45257-96300	52 - 21
	49 - 8	41225-94400	51 - 27		53 - 21
37830-95D02	86 - 9	41310-96310	51 - 15		54 - 20
37831-91L00	48 - 6	43111-91L00-0EP	52 - 1	45260-96300	52 - 22
37835-95D00	48 - 5		53 - 1		53 - 22
	49 - 11		54 - 1		54 - 21
37859	72 - 53	43411-96300	52 - 12	45311-96303-0EP	52 - 24
37859-90J00	86 - 53		53 - 12		53 - 24
38500-92X50	72 - 13		54 - 11		54 - 23
	86 - 13	43421-96302	52 - 13	45420-91L00	51 - 28
38600-96301	50 - 6		53 - 13	45425-94J00	51 - 29
	76 - 1		54 - 12	45700-91L00	53 - 35
	77 - 1	43710-96300	52 - 3		54 - 35
39600-93910	78 - 4		53 - 3	45731-96312	53 - 37
	79 - 4		54 - 3		54 - 37
39601-95D00	78 - 7	43741-91L00-0EP	52 - 5		
	79 - 7		53 - 5		
39602-93900	78 - 9		54 - 5		
	79 - 9	43751-91L00-0EP	52 - 6		

DT25 30 P40 012

PART NO.	FIG. NO. -REF. NO.	PART NO.	FIG. NO. -REF. NO.	PART NO.	FIG. NO. -REF. NO.	
5 0 0 0 0			57 - 21		36 - 16	
		55100-91L00-0EP	58 - 1	57632-91L00	58 - 13	
		55114-96310	58 - 4	57633-96300	58 - 14	
		55125-96310	58 - 5	58100-91L00-019	58 - 11	
		55181-95200	58 - 24	58100-91L10-019	58 - 11	
52110-91L00-0EP	56 - 4 57 - 4	55300-95500	58 - 20	58100-95D00-019	58 - 11	
52110-91L10-0EP	55 - 4 56 - 4 57 - 4	55320-95311	51 - 16	58100-96370-019	58 - 11	
		56120-91L00-0EP	34 - 26 35 - 26 36 - 26	58100-96410-019	58 - 11	
52113-96330	16 - 3 17 - 3 18 - 3	56130-91L00-0EP	22 - 16 23 - 16 24 - 16	58100-96480-019	58 - 11	
54121-96301	55 - 6 56 - 6	56130-96320-0EP	22 - 22 23 - 22	58120-96401	58 - 12	
				58200-96400	58 - 11	
54130-96320	57 - 6 55 - 9 56 - 9 57 - 9	57110-96303	24 - 22 34 - 1 35 - 1 36 - 1	59800-90L00	62 - 11 63 - 10	
54137-91L00-0EP	55 - 8	57110-96313	35 - 1		64 - 9	
54138-96300	56 - 8 57 - 8 55 - 18 56 - 18 57 - 18	57133-96302	36 - 1 34 - 8 35 - 8 36 - 8	6 0 0 0 0		
		57134-96301	34 - 9			
54151-96300	55 - 13 56 - 13 57 - 13		35 - 9 36 - 9		61110-91L00-0EP	59 - 2 60 - 2 61 - 2
54160-96310	55 - 5 56 - 5	57311-96320	34 - 10 35 - 10 36 - 10		61112-96320	59 - 4 60 - 4
54165-96310	57 - 5 55 - 14 56 - 14 57 - 14	57510-89J00	34 - 14 35 - 14 36 - 14	61113-96300	61 - 4 59 - 5 60 - 5 61 - 5	
54166-96311	55 - 15	57521-89J00	34 - 24 35 - 24	61131-91L00-0EP	59 - 6	
54211-91L00-0EP	56 - 15 57 - 15 55 - 19 56 - 19 57 - 19	57610-96311	36 - 24 34 - 22 35 - 22 36 - 22	61138-94410	60 - 6 61 - 6 59 - 25 60 - 25 61 - 25	
54212-91L00-0EP	55 - 20 56 - 20 57 - 20	57621-96310	34 - 18			
54221-91L00-0EP	55 - 21 56 - 21	57630-96300	35 - 18 36 - 18 58 - 25	61155-94500	59 - 23 60 - 23 61 - 23	
		57631-96301	34 - 16 35 - 16	61400-91L00-0EP	62 - 1 63 - 1	

PART NO.	FIG. NO. -REF. NO.	PART NO.	FIG. NO. -REF. NO.	PART NO.	FIG. NO. -REF. NO.
61400-91L00-0EP	64 - 1		66 - 19		68 - 11
61431-91L00-0EP	62 - 2	63225-93200	65 - 11		69 - 11
	63 - 2		66 - 11		70 - 11
	64 - 2	63225-94J00	65 - 26	65750-98505	67 - 10
61435-963A1	62 - 5		66 - 25		68 - 12
61435-963B1	63 - 5	63240-94J00	65 - 12		68 - 17
	64 - 5		66 - 12		69 - 12
61441-96321	62 - 12	63241-98601	65 - 13		70 - 12
	63 - 11		66 - 13	65761-90L00	67 - 22
	64 - 10	63244-94J00	65 - 14	65770-93904	67 - 12
61449-93921	62 - 6		66 - 14	65770-95505	67 - 18
61581-98620	62 - 10	63610-96321	65 - 10	65770-95541	69 - 13
	63 - 9		66 - 10		70 - 13
	64 - 8	63625-94300	61 - 29	65779-93900	68 - 13
61610-93901	59 - 16	63625-96300	65 - 9		68 - 18
	60 - 16		66 - 9	65781-98500	67 - 13
	61 - 16	65000-95D01	68 - 1		67 - 19
61616-93EL0	59 - 17		69 - 1		68 - 14
	60 - 17		70 - 1		68 - 19
	61 - 17	65000-99100	67 - 1		69 - 14
61622-96302	62 - 3	65318-93910	68 - 15		70 - 14
	63 - 3	65520-95D00	68 - 2	65830-95500	67 - 16
	64 - 3		69 - 2		68 - 20
61642-93902	59 - 18		70 - 2	65831-95D00	67 - 4
	60 - 18	65520-99100	67 - 2		68 - 4
	61 - 18	65561-95D00	67 - 3		69 - 4
63111-91L00-0EP	65 - 6		68 - 3		70 - 4
	66 - 6		69 - 3	65842-94401	67 - 17
63114-94300	65 - 2		70 - 3		68 - 21
	66 - 2	65700-87D19	69 - 10	65890-95D00	68 - 5
63115-96310	65 - 7		70 - 10		69 - 5
	66 - 7	65700-94414	67 - 14		70 - 5
63116-96301	65 - 8	65700-94424	68 - 16	65890-99100	67 - 5
	66 - 8	65700-95D02	67 - 9	65892-95D00	67 - 6
63118-94300	65 - 24	65700-96362	68 - 10		68 - 6
	66 - 24	65720-95511	67 - 21		69 - 6
63118-94310	65 - 24	65720-98520	68 - 8		70 - 6
	66 - 24		69 - 8	67100-96300	52 - 35
63121-91L00-0EP	65 - 1		70 - 8		53 - 41
	66 - 1	65740-95D01	68 - 7		54 - 41
63210-93E30	65 - 22		69 - 7	67110-99710	52 - 40
	66 - 22		70 - 7		53 - 46
63220-96320	65 - 23	65740-99100	67 - 7		54 - 46
	66 - 23	65750-95500	67 - 11	67130-96310-0EP	85 - 1
63223-92D00	65 - 19		67 - 15	67200-939B2	86 - 1

DT25 30 P40 012

PART NO.	FIG. NO. -REF. NO.	PART NO.	FIG. NO. -REF. NO.	PART NO.	FIG. NO. -REF. NO.
67200-97E42	72 - 1		86 - 38	67721-94310	73 - 3
	86 - 1	67273-95600	72 - 39		87 - 3
67212-95600	72 - 14		86 - 39	67725-99E10	73 - 4
	86 - 14	67275-95600	72 - 40		87 - 4
67213-92E00	72 - 15		86 - 40	67726-99E00	73 - 5
	86 - 15	67288-92E00	72 - 41		87 - 5
67220-95620	72 - 18		86 - 41	67728-99E00	73 - 8
	86 - 18	67292-94300	72 - 42		87 - 8
67223-99E00	72 - 19		86 - 42	68110-94400	62 - 14
67223-99E10	86 - 19	67294-95600	72 - 43		63 - 13
	86 - 20		86 - 43		64 - 12
67229-95600	72 - 20	67296-90J00	72 - 44	68111-99J00	62 - 13
	86 - 20		86 - 44		63 - 12
67232-95600	72 - 21	67296-92E10	72 - 17		64 - 11
	86 - 21		86 - 17	68165-16B00-13L	72 - 12
67238-87D00	72 - 22		86 - 22		86 - 12
	86 - 22	67296-94300	72 - 45	69711-93E10	62 - 9
67241-99E10	72 - 23		86 - 45		63 - 8
	86 - 23	67296-94310	72 - 36		64 - 7
67243-95600	72 - 24		86 - 36	69712-93E10	62 - 8
	86 - 24	67296-95600	72 - 46		63 - 7
	86 - 25		86 - 46		64 - 6
67244-95600	72 - 25	67296-95610	72 - 47	69714-94J00	65 - 28
	86 - 25		86 - 47		66 - 27
67245-95600	72 - 26	67297-95600	72 - 48		
	86 - 26		86 - 48		
67251-99E10	72 - 27		86 - 48		
	86 - 27	67320-93J00	86 - 54		
67252-95600	72 - 28	67320-93J10	86 - 54		
	86 - 28	67320-93J20	86 - 54		
67253-95600	72 - 29	67320-93J30	86 - 54		
	86 - 29	67320-93J40	86 - 54		
	86 - 30		86 - 54		
67255-99E00	72 - 30	67320-93J50	86 - 54	99000-81159-50M	25 - 11
	86 - 30	67320-93J60	86 - 54		26 - 11
67256-95600	72 - 31	67320-93J70	86 - 54		27 - 11
	86 - 31	67320-93J80	86 - 54	99011-91L00-063	69 - 15
67257-95610	72 - 32	67341-94302	71 - 8		70 - 15
	86 - 32		85 - 2		
67257-99E00	86 - 32	67414-94301-0EP	71 - 1	99011-91L10-063	67 - 23
67258-99E00	72 - 33		85 - 8		68 - 23
	86 - 33	67440-93701	71 - 2		
67259-87D00	72 - 34		85 - 3		
	86 - 34				
	86 - 35	67466-95200	71 - 5		
67261-99E00	72 - 35		85 - 7		
	86 - 35	67701-94420	73 - 1		
67264-95600	72 - 37		87 - 1		
	86 - 37	67711-97E60	87 - 11		
67267-95610	72 - 38				

PART NO.	FIG. NO. -REF. NO.	PART NO.	FIG. NO. -REF. NO.	PART NO.	FIG. NO. -REF. NO.
01411-0620A	7 - 7 8 - 3 9 - 3		2 - 7 3 - 7	02162-06167	42 - 11 43 - 13 44 - 13
01411-0820A	7 - 6 8 - 6	01580-08207 01580-08257	19 - 3 14 - 5 15 - 5	02162-06207	25 - 14 26 - 14
01550-06127	9 - 6 42 - 6 43 - 8 44 - 8		25 - 19 26 - 19 37 - 11 38 - 11	02162-06257	27 - 14 1 - 13 2 - 13 3 - 13
01550-06167	37 - 14	02112-05127	76 - 2		7 - 1
01550-06207	38 - 14 59 - 21 60 - 21 61 - 21 25 - 15	02112-05207 02112-3306A	77 - 2 11 - 16 12 - 16 7 - 11 8 - 11	03112-06303 03142-04259	8 - 1 9 - 1 81 - 11 82 - 11 58 - 19
01550-06257	26 - 15 27 - 15 7 - 18 8 - 13 9 - 13	02112-35087 02112-35127	9 - 11 39 - 9 40 - 9 41 - 9 39 - 10	03241-0625A 03542-06169	46 - 12 47 - 11 62 - 4 63 - 4 64 - 4
01550-06357	28 - 10 29 - 19 30 - 19		40 - 10 41 - 10 50 - 7	04211-09109	1 - 9 2 - 9 3 - 9
01550-08257	25 - 16 26 - 16	02112-35207	39 - 11 40 - 11	07130-08657	1 - 6 2 - 6
01560-08457	27 - 16 1 - 11 2 - 11 3 - 11	02112-35257	41 - 11 39 - 12 40 - 12 41 - 12	08113-60060	3 - 6 34 - 27 35 - 27 36 - 27
01560-08557	1 - 10	02122-0616A	7 - 13	08211-15203	34 - 11
01560-08607	2 - 10 3 - 10 1 - 12 2 - 12 3 - 12	02122-06167	8 - 12 9 - 12 13 - 3 14 - 3 15 - 3	08211-15204	35 - 11 36 - 11 34 - 11 35 - 11 36 - 11
01560-08657	1 - 5 2 - 5 3 - 5	02142-05257	43 - 2 44 - 2 74 - 8	08211-20253	34 - 2 35 - 2 36 - 2
01570-06167	25 - 8 26 - 8	02142-06357	75 - 11 7 - 12	08221-30404	34 - 25 35 - 25
01570-06257	27 - 8 19 - 4	02142-06407	8 - 17 9 - 17	08310-00057	36 - 25 74 - 9 75 - 12
01570-06407	20 - 6 21 - 6	02162-06127	78 - 2 79 - 2	08310-00067	37 - 15 37 - 17
01580-06257	1 - 7		80 - 2		

DT25 30 P40 012

PART NO.	FIG. NO. -REF. NO.	PART NO.	FIG. NO. -REF. NO.	PART NO.	FIG. NO. -REF. NO.
08310-00067	38 - 15 38 - 17 59 - 22 60 - 22 61 - 22	09103-06049	57 - 10 45 - 3 46 - 10 46 - 14 46 - 14	09116-08128	60 - 7 61 - 7 55 - 23 56 - 23 57 - 23
08316-10067	7 - 2 8 - 2 9 - 2	09103-06092	47 - 9 47 - 13 75 - 17 31 - 15 32 - 15	09117-06030	58 - 9 53 - 38 54 - 38 55 - 7 56 - 7
08316-10087	7 - 14 8 - 7	09103-06093	31 - 14 32 - 14 33 - 9 33 - 31 85 - 12	09117-06032	57 - 7 55 - 22 56 - 22 57 - 22
08321-0105A	9 - 7 19 - 14 20 - 17 21 - 17 11 - 17	09103-06125	1 - 21 2 - 21 3 - 22	09117-08037	58 - 6
	12 - 17 74 - 10 75 - 13 76 - 3 77 - 3	09106-06098	25 - 17 26 - 17	09117-08074	52 - 8 53 - 8 54 - 7
08321-01067	37 - 16 37 - 18 38 - 16 38 - 18	09108-06069	27 - 17 22 - 12 23 - 12 24 - 12	09118-08098	57 - 3 55 - 2 56 - 2 57 - 2
08322-01067	78 - 3	09108-08300	65 - 3	09119-05010	29 - 13
08331-41406	79 - 3 80 - 3 34 - 4 35 - 4 36 - 4	09111-10032 09111-10034	66 - 3 51 - 31 52 - 26 53 - 26 54 - 25	09119-06047 09119-08044	30 - 13 71 - 7 85 - 10 52 - 14 53 - 14
09100-05104	49 - 5 50 - 4	09111-10045	53 - 39 54 - 39	09125-05042	54 - 13 72 - 16
09100-06121	28 - 6 29 - 11 29 - 12	09111-10055 09116-05010	51 - 32 52 - 25 53 - 25	09125-05046	86 - 16 59 - 8 60 - 8
09100-06131	30 - 11 30 - 12 31 - 13 32 - 13	09116-06094	54 - 24 51 - 17 71 - 6 71 - 9	09126-05003 09126-06006	61 - 8 72 - 50 86 - 50 58 - 21
09100-08232	72 - 49		85 - 6	09126-06015	65 - 21
09100-08239 09100-08295 09100-10260	86 - 49 51 - 18 51 - 19 55 - 10 56 - 10	09116-06121 09116-06133	85 - 9 34 - 30 35 - 30 36 - 30 59 - 7	09136-05041 09136-06145	66 - 21 65 - 16 66 - 16 59 - 15 60 - 15

PART NO.	FIG. NO. -REF. NO.	PART NO.	FIG. NO. -REF. NO.	PART NO.	FIG. NO. -REF. NO.
09136-06145	61 - 15		36 - 12		57 - 17
09139-04004	31 - 35	09159-08059	52 - 42	09160-12007	42 - 4
	32 - 35		53 - 48		43 - 6
	33 - 28		54 - 48		44 - 6
09140-04007	10 - 35	09159-10050	55 - 12	09160-12066	67 - 8
	11 - 20		55 - 24	09160-14028	58 - 15
	12 - 20		56 - 12	09160-15030	34 - 11
09140-05005	28 - 11		56 - 24		35 - 11
	29 - 20		57 - 12		36 - 11
	30 - 20		57 - 24	09160-15031	34 - 11
	49 - 6	09159-22006	51 - 22		35 - 11
	50 - 5	09160-04012	52 - 23		36 - 11
09140-06020	59 - 11		53 - 23	09160-15032	34 - 11
	60 - 11		54 - 22		35 - 11
	61 - 11	09160-05024	33 - 30		36 - 11
	72 - 51	09160-05029	28 - 16	09160-15033	34 - 11
	86 - 51		29 - 25		35 - 11
09140-08023-XC0	51 - 20		30 - 25		36 - 11
	52 - 36		31 - 17	09160-15053	34 - 11
	53 - 42		32 - 17		35 - 11
	54 - 42		33 - 11		36 - 11
	65 - 5		59 - 10	09160-15054	34 - 11
	66 - 5		60 - 10		35 - 11
	73 - 7		61 - 10		36 - 11
	87 - 7	09160-06054	42 - 3	09160-18011	39 - 7
09140-10032	52 - 27		43 - 5		40 - 7
	53 - 27		44 - 5		41 - 7
	54 - 26	09160-06084	28 - 7	09160-20068	34 - 23
	55 - 16		29 - 14		35 - 23
	56 - 16		30 - 14		36 - 23
	57 - 16	09160-06104	72 - 52	09160-20069	34 - 23
	68 - 9		86 - 52		35 - 23
	69 - 9	09160-08081	51 - 23		36 - 23
	70 - 9	09160-08082	52 - 43	09160-20070	34 - 23
09140-18014	39 - 6		53 - 49		35 - 23
	40 - 6		54 - 49		36 - 23
	41 - 6	09160-10082	51 - 34	09160-20071	34 - 23
09141-14008	58 - 16		55 - 11		35 - 23
09148-06008	65 - 15		55 - 25		36 - 23
	66 - 15		56 - 11	09160-20072	34 - 23
	59 - 12		56 - 25		35 - 23
	60 - 12		57 - 11		36 - 23
	61 - 12		57 - 25	09160-20073	34 - 23
09148-06017	34 - 12	09160-10083	55 - 17		35 - 23
	35 - 12		56 - 17		36 - 23
09159-08046					

DT25 30 P40 012

PART NO.	FIG. NO. -REF. NO.	PART NO.	FIG. NO. -REF. NO.	PART NO.	FIG. NO. -REF. NO.
09160-25032	34 - 3 35 - 3 36 - 3	09181-24001	36 - 15 4 - 10 5 - 10 6 - 10	09204-03003	53 - 29 54 - 28 58 - 17
09160-25033	34 - 3 35 - 3	09181-25190	34 - 3	09205-02004	31 - 30 32 - 30
09160-25034	36 - 3 34 - 3 35 - 3 36 - 3	09181-25248	35 - 3 36 - 3 34 - 3 35 - 3 36 - 3	09205-02006	33 - 23 52 - 34 53 - 34 54 - 33 71 - 3
09160-25035	34 - 3				
09160-40005	35 - 3 36 - 3 52 - 9 53 - 9 54 - 8	09181-25251	34 - 3 35 - 3 36 - 3	09205-03021	85 - 4 31 - 31 32 - 31 33 - 24
09160-50002	4 - 16 5 - 16 6 - 16	09181-25268	34 - 3 35 - 3	09205-03038	65 - 18
09161-04012	59 - 19 60 - 19	09181-30158	36 - 3 34 - 25 35 - 25 36 - 25	09205-04002	66 - 18 29 - 17 30 - 17
		09181-30162	34 - 25	09205-06007	51 - 5 51 - 10
09162-10005	61 - 19 51 - 35		35 - 25 36 - 25	09205-06013	52 - 4 53 - 4
09163-06001	65 - 20 66 - 20	09200-05006	28 - 14 29 - 23 30 - 23	09205-10006	54 - 4 59 - 3 60 - 3
09166-17005	34 - 6				
09167-20021	35 - 6 36 - 6 34 - 7 35 - 7 36 - 7	09200-05011	31 - 18 32 - 18 33 - 12 52 - 28 53 - 28	09209-08016	61 - 3 34 - 17 35 - 17 36 - 17
				09248-10008	58 - 7
09168-10022	58 - 8	09202-05021	54 - 27 34 - 19 35 - 19 36 - 19	09250-06012	33 - 32
09169-18001	4 - 6 5 - 6 6 - 6	09202-06015	58 - 10	09250-08007	59 - 24 60 - 24 61 - 24
09180-06105	28 - 8			09250-16008	61 - 28
09180-06186	29 - 15 30 - 15 28 - 9 29 - 16 30 - 16	09202-06023	55 - 1 56 - 1 57 - 1	09250-21003	60 - 30
		09204-01002	28 - 15 29 - 24	09250-33001	54 - 34
				09260-10005	31 - 20 32 - 20 33 - 14
09180-06289	59 - 13 60 - 13 61 - 13		30 - 24 31 - 19 32 - 19	09262-30055	4 - 18 5 - 18 5 - 19
09181-16008	34 - 15 35 - 15		33 - 13 52 - 29		6 - 18 6 - 19

PART NO.	FIG. NO. -REF. NO.	PART NO.	FIG. NO. -REF. NO.	PART NO.	FIG. NO. -REF. NO.
09263-18016	4 - 5 5 - 5 6 - 5		22 - 25 23 - 18 23 - 25		59 - 26 60 - 26 61 - 26
09263-20046	58 - 2		24 - 18	09352-70121-600	59 - 27
09263-20047	34 - 28		24 - 25	09355-40805-600	22 - 26
09263-24018	35 - 28 36 - 28 4 - 9 5 - 9 6 - 9	09289-20009	34 - 29 35 - 29 36 - 29		23 - 26 24 - 26 19 - 16
		09289-38013	4 - 19 5 - 20	09359-50823-600 09367-04005	22 - 27 23 - 27
09265-17002	22 - 17 22 - 24 23 - 17 23 - 24 24 - 17	09306-10001	6 - 20 29 - 18 30 - 18 31 - 21 32 - 21	09381-18002	24 - 27 4 - 4 5 - 4 6 - 4
				09383-08004	31 - 23
09265-25015	24 - 24 58 - 3	09306-22004	33 - 15 52 - 11 53 - 11 54 - 10	09385-04003	32 - 23 59 - 20 60 - 20 61 - 20
09280-08005	31 - 32 32 - 32 33 - 25	09319-04001	52 - 30	09401-06406	1 - 16
09280-13005	31 - 33 32 - 33 33 - 26	09320-04009	53 - 30 54 - 29 10 - 34 11 - 22 12 - 22	09401-08410	2 - 16 3 - 16 19 - 8 20 - 10 21 - 10
09280-50005	22 - 20 23 - 20				
09280-75002	24 - 20 34 - 13 35 - 13 36 - 13	09320-10031	59 - 14 60 - 14 61 - 14	09401-10410 09401-11423	19 - 9 67 - 20 68 - 22
09280-76005	42 - 9	09320-12011	42 - 5 43 - 7	09404-06435 09404-08205	3 - 18 79 - 13
09282-15008	43 - 11 44 - 11 4 - 22 5 - 23 6 - 23	09343-03510	44 - 7 1 - 15 2 - 15 3 - 15	09404-12201 09407-10403	80 - 6 48 - 7 78 - 6 79 - 6
		09343-05524	19 - 18	09407-14403	46 - 4
09283-30062	4 - 21 5 - 22 6 - 22	09343-05532	19 - 17 19 - 19		47 - 3 74 - 11 75 - 14
09283-30064	4 - 20 5 - 21	09352-50903-600	19 - 6 19 - 7 20 - 8	09407-14407	39 - 14 40 - 14
09284-40001	6 - 21 52 - 10 53 - 10 54 - 9		20 - 9 20 - 11 21 - 8 21 - 9	09407-25402	41 - 14 81 - 8 82 - 8 76 - 8
09289-17004	22 - 18		21 - 11		77 - 8

DT25 30 P40 012

PART NO.	FIG. NO. -REF. NO.	PART NO.	FIG. NO. -REF. NO.	PART NO.	FIG. NO. -REF. NO.
09407-25402	78 - 5	09471-12028	81 - 6		
	79 - 5		81 - 15		
09408-00045	46 - 2		82 - 6		
	47 - 1		82 - 15		
	74 - 12	09471-12103	81 - 2		
	75 - 15		81 - 4		
09409-08308-5ES	59 - 28		81 - 19		
09420-04006	22 - 15		82 - 2		
	23 - 15		82 - 4		
	24 - 15		82 - 19		
09420-04008	39 - 13	09481-20001	46 - 6		
	40 - 13		47 - 5		
	41 - 13		74 - 7		
09440-04021	52 - 31		75 - 10		
	53 - 31	09482-00L06	42 - 14		
	54 - 30		43 - 16		
09440-07021	31 - 22		44 - 16		
	32 - 22	09491-29010	10 - 29		
	33 - 16	09491-32012	11 - 12		
09440-07041	34 - 21		12 - 12		
	35 - 21	09492-30017	10 - 3		
	36 - 21	09492-50008	10 - 2		
09440-09042	71 - 4	09492-70001	11 - 2		
	85 - 5		12 - 2		
09440-12027	65 - 17				
	66 - 17				
09440-12036	52 - 15				
	53 - 15				
	54 - 14				
09440-25002	34 - 5				
	35 - 5				
	36 - 5				
09440-35004	34 - 20				
	35 - 20				
	36 - 20				
09441-17001	51 - 30				
09443-05013	52 - 32				
	53 - 32				
	54 - 31				
09443-08031	53 - 40				
	54 - 40				
09443-09036	52 - 33				
	53 - 33				
	54 - 32				
09448-29015	51 - 36				

SUZUKI DT25/DT30 PARTS CATALOGUE

1ST EDITION

PUBLISHED IN FEB 2011

2011 **SUZUKI MOTOR CORPORATION** All rights reserved.

No part of this document may be modified reproduced, distributed, sold or transmitted in any form or by any means, electronic or mechanical, for any purpose, without the express written permission of Suzuki Motor Corporation.

SUZUKI MOTOR CORPORATION

FIELD QUALITY ASSURANCE GROUP

MOTORCYCLE QUALITY ASSURANCE DEPARTMENT

QUALITY CONTROL

300 TAKATUKA, MINAMI, HAMAMATU, JAPAN

SUZUKI MOTOR CORPORATION

PRINTED IN JAPAN

9900B-45221