

**SUZUKI**

PARTS CATALOGUE

# DF9. 9B/15A/20A

DF9.9B/BR

DF9.9BT

DF15A/AR

DF15ATH

DF20A/AR

DF20AT/ATH



**OUTBOARD MOTOR**

P01/P40

2013-5

1<sup>ST</sup> EDITION

PREFACE

When it becomes necessary to replace parts on SUZUKI OUTBOARD MOTORS, always use SUZUKI GENUINE PARTS which have passed a strict inspection which guarantees quality and performance.

This parts catalogue covers the list of all service parts for SUZUKI DF9.9B/15A/20A production start 2013.

INSTRUCTIONS FOR QUOTING THE CATALOGUE

1. DIMENSIONS

Dimensions of the parts in this catalogue are indicated in unit millimeters.

2. ABBREVIATIONS

Abbreviations used in this catalogue are as follows:

AR	: As required	NT	: Number of teeth
ASSY	: Assembly	OPT	: Optional
E. NO.	: Engine number	OS	: Over size
F. NO.	: Frame number	STD	: Standard
D	: Diameter of material	T	: Thickness
ID	: Inside diameter	US	: Under size
OD	: Outside diameter	W	: Width
L	: Length	W/	: with
LH(PORT)	: Left hand side	S,L	: Transom type
RH(STBD)	: Right hand side	SUS	: Stainless steel
~123456	: Up to E. NO. 02002F-123456		
123456~	: From E. NO. 02002F-123456		

12 x 34 x 5.6..... Figures in the description column

| | | show the dimensions of parts.

ID OD T(or W, L)

→12345-56781 (Parts No.) : indicates that the parts number was changed to 12345-56781 and the new parts are interchangeable with the former ones but the former ones are not interchangeable with new ones.

←12345-56781 (Parts No.) : indicates that the former and new parts are interchangeable with each other and both are usable.

3. INNER PARTS OF ASSEMBLY

Part name with a dot (.) in front as shown in the description column indicates the component of the assembly also available individually.

4. MODIFICATION NOTICE

A parts bulletin will be sent to you on all occasions when changes in parts occur, including interchangeable modifications between new parts and old ones.

5. NOTE

5-1. There are some different parts from those of production models among spare parts for the administrative reasons and common use of them with other models.

5-2. In respect of rubber hoses and vinyl tubes, please be sure to use them by cutting off according to the length mentioned on parts catalogue or what is actually required on the vehicle.

5-3. Note that the drawings on the illustration page are for ready reference of spare parts number, not to be used as an assembly manual. When assembling, use "SUZUKI SERVICE MANUAL".

6. SPECIFICATION CODE

This catalogue contains the parts for the model designed for the following spec.:

spec. code :	DF9.9B : P1	DF9.9BR : P1
	DF15A : P1	DF15AR : P1
	DF20A : P1, P40	DF20AR : P1

7. MODEL NAME AND ENGINE NUMBER

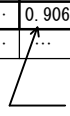
MODEL	DESTINATION	TYPE	TRANSOM	ENGINE NO.
DF9.9B	P01	00995F	S, L	00995F-410001~
DF9.9BR	P01	00995F	S, L	00995F-410001~
DF9.9BT	P01	00995F	S, L	00995F-410001~
DF15A	P01	01504F	S, L	01504F-410001~
DF15AR	P01	01504F	S, L	01504F-410001~
DF15ATH	P01	01504F	S, L	01504F-410001~
DF20A	P01, P40	02002F	S, L	02002F-410001~
DF20AR	P01	02002F	S, L	02002F-410001~
DF20AT	P01	02002F	S, L	02002F-410001~
DF20ATH	P01	02002F	S, L	02002F-410001~

MILLIMETER → INCH CONVERSION CHART

	0	1	2	3	4	5	6	7	8	9
00	.000	.039	.079	.118	.157	.197	.236	.276	.315	.354
10	.394	.433	.472	.512	.551	.591	.630	.669	.709	.748
20	.787	.827	.866	.906	.945	.984	1.024	1.063	1.102	1.142
30	1.181	1.220	1.260	1.299	1.339	1.378	1.417	1.457	1.496	1.535
40	1.575	1.614	1.654	1.693	1.732	1.772	1.811	1.850	1.890	1.929
50	1.969	2.008	2.047	2.087	2.126	2.165	2.205	2.214	2.283	2.323
60	2.362	2.402	2.441	2.480	2.520	2.559	2.598	2.638	2.677	2.717
70	2.756	2.795	2.835	2.874	2.913	2.953	2.992	3.031	3.071	3.110
80	3.150	3.189	3.228	3.268	3.307	3.346	3.386	3.425	3.465	3.504
90	3.543	3.583	3.622	3.661	3.701	3.740	3.780	3.819	3.858	3.898

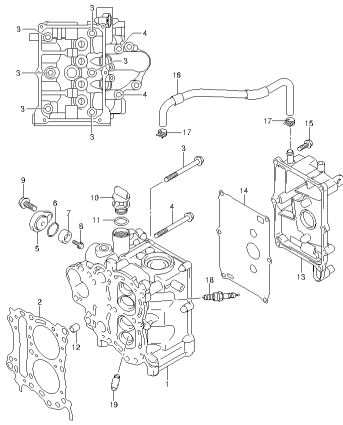
How to read

	0	1	2	3	4
00	...	...	...	...	...
10	...	...	...	...	...
20	...	...	...	0.906	...
30	...	...	...	...	...


 23 millimeters equal 0.906 inch

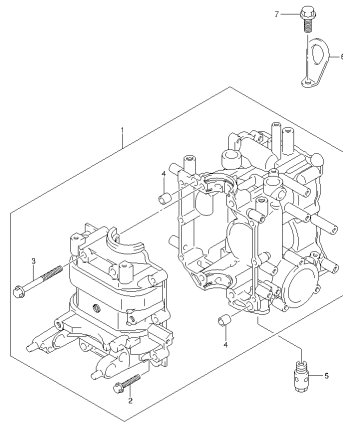
Contents are subject to change without notice or obligation.

FIG.1



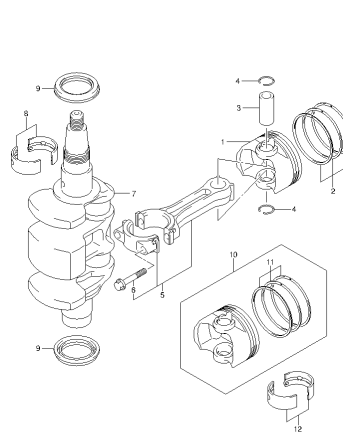
DF20A\_F01\_014\_001  
CYLINDER HEAD

FIG.2



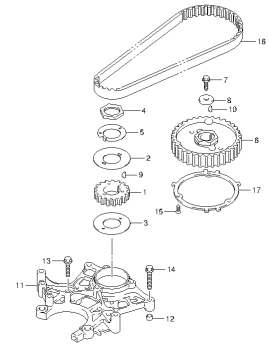
DF20A\_F01\_014\_002  
CYLINDER BLOCK

FIG.3



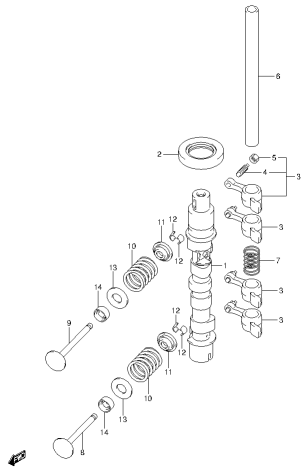
DF20A\_F01\_014\_003  
CRANKSHAFT

FIG.4



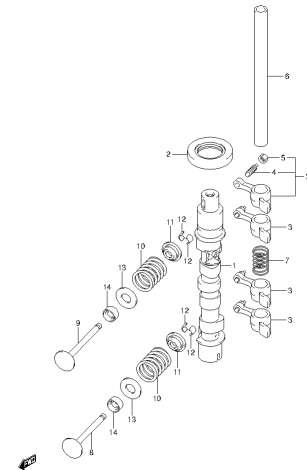
DF20A\_F01\_014\_004  
TIMING BELT

FIG.5



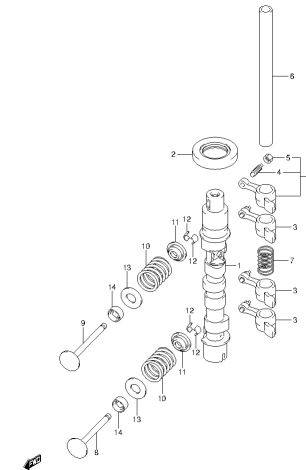
DF20A\_F01\_014\_005  
CAMSHAFT

FIG.6



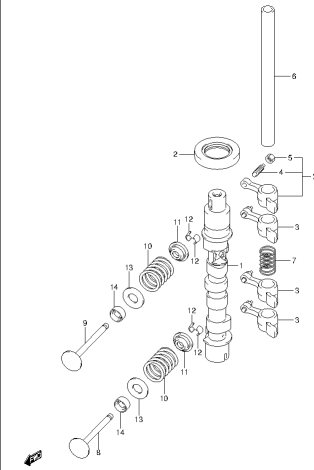
DF20A\_F01\_014\_006  
CAMSHAFT

FIG.7



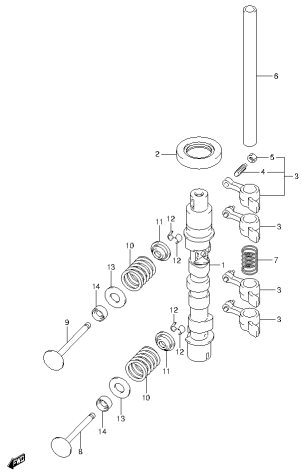
DF20A\_F01\_014\_007  
CAMSHAFT

FIG.8



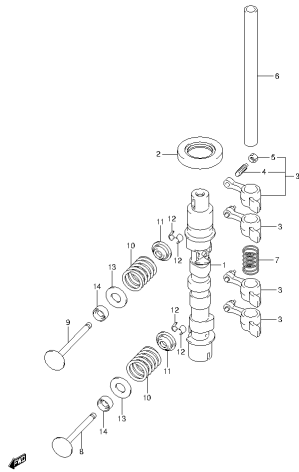
DF20A\_F01\_014\_008  
CAMSHAFT

FIG.9



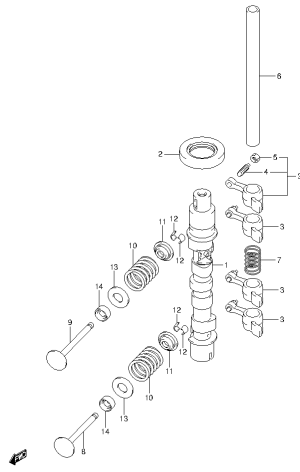
DF20A\_F01\_014\_009  
CAMSHAFT

FIG.10



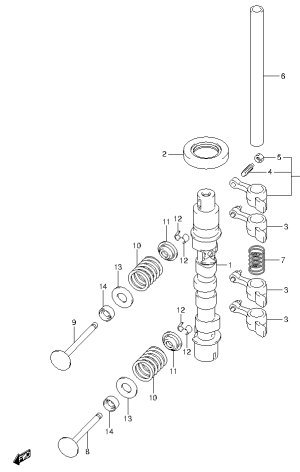
DF20A\_F01\_014\_010  
CAMSHAFT

FIG.11



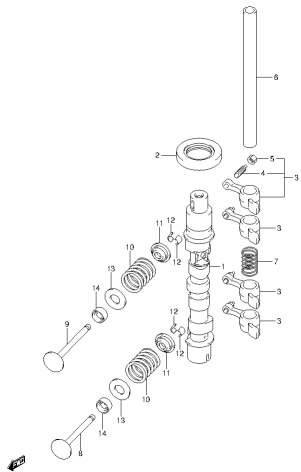
DF20A\_F01\_014\_011  
CAMSHAFT

FIG.12



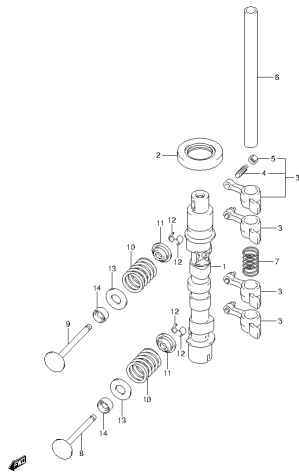
DF20A\_F01\_014\_012  
CAMSHAFT

FIG.13



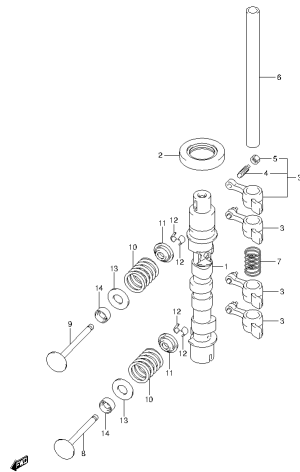
DF20A\_F01\_014\_013  
CAMSHAFT

FIG.14



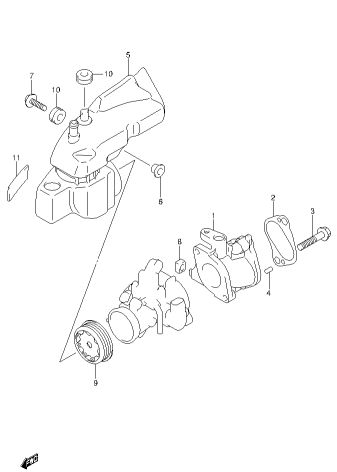
DF20A\_F01\_014\_014  
CAMSHAFT

FIG.15



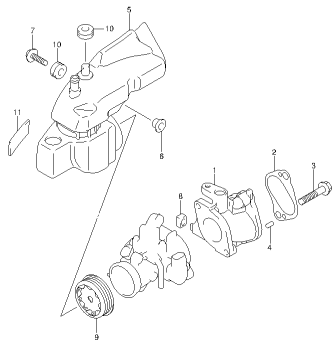
DF20A\_F01\_014\_015  
CAMSHAFT

FIG.16



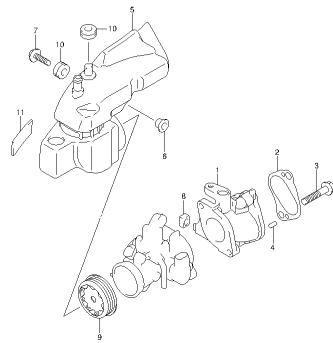
DF20A\_F01\_014\_016  
INLET MANIFOLD

FIG.17



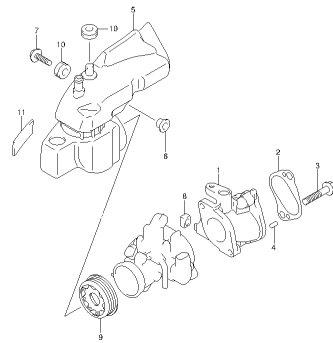
DF20A\_F01\_014\_017  
INLET MANIFOLD

FIG.18



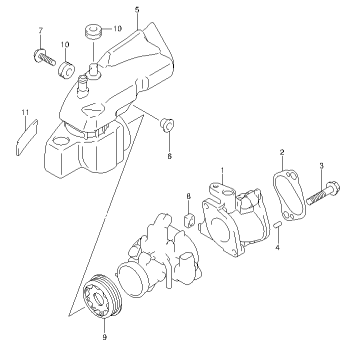
DF20A\_F01\_014\_018  
INLET MANIFOLD

FIG.19



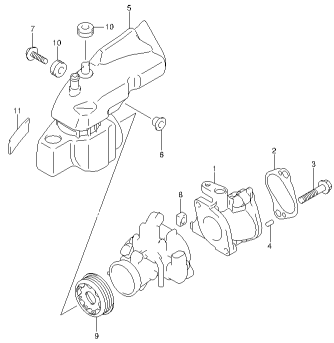
DF20A\_F01\_014\_019  
INLET MANIFOLD

FIG.20



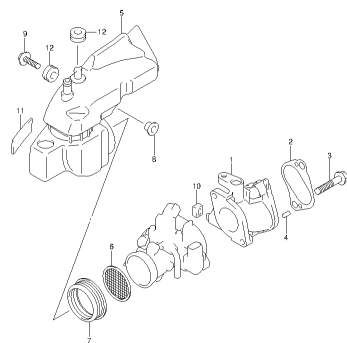
DF20A\_F01\_014\_020  
INLET MANIFOLD

FIG.21



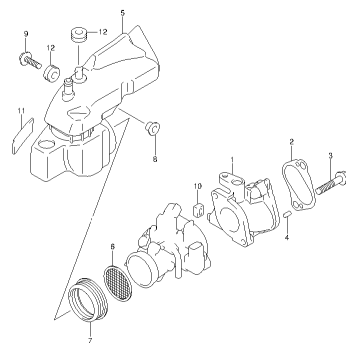
DF20A\_F01\_014\_021  
INLET MANIFOLD

FIG.22



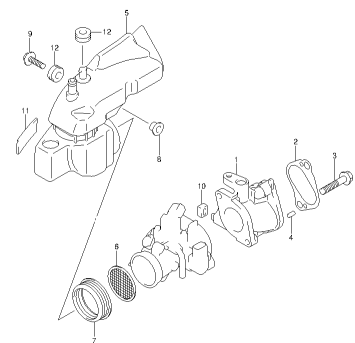
DF20A\_F01\_014\_022  
INLET MANIFOLD

FIG.23

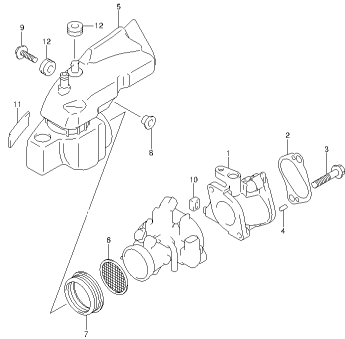
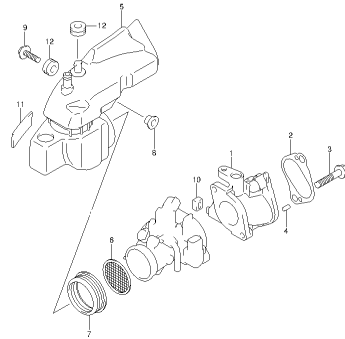
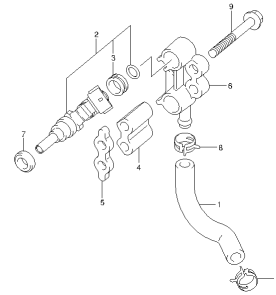
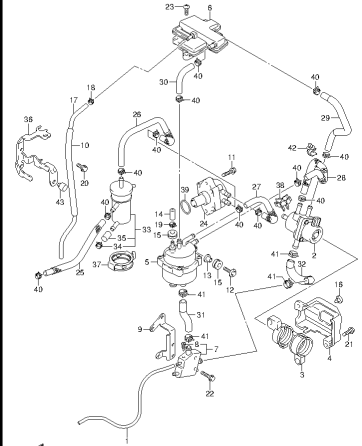
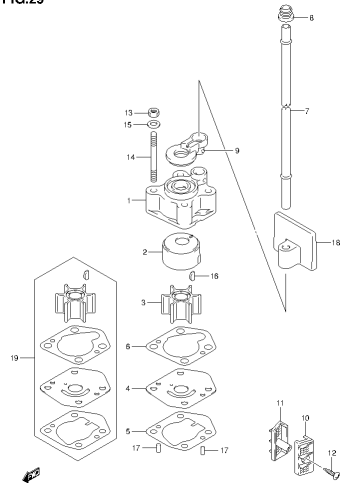
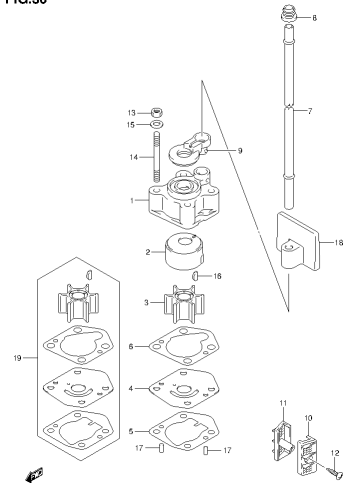
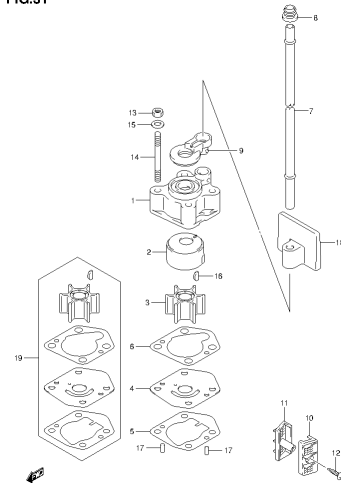
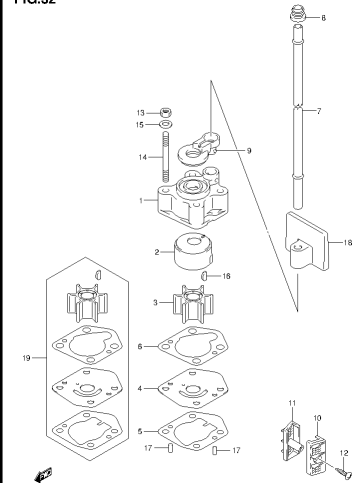


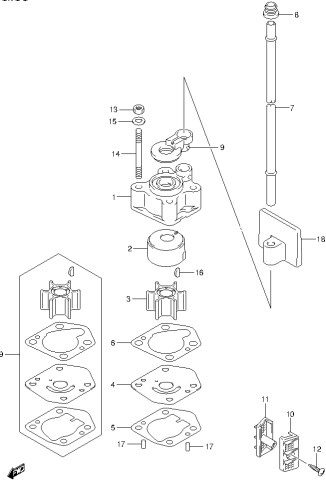
DF20A\_F01\_014\_023  
INLET MANIFOLD

FIG.24

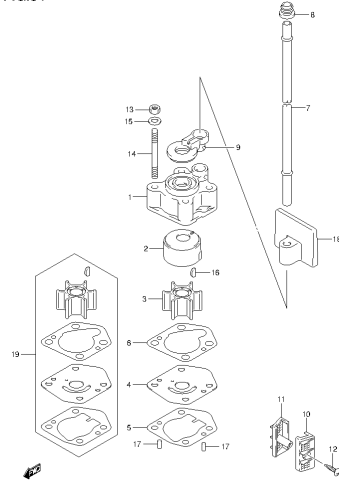


DF20A\_F01\_014\_024  
INLET MANIFOLD

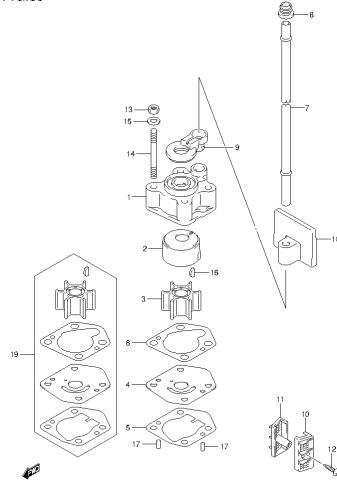
**FIG.25**DF20A\_F01\_014\_025  
INLET MANIFOLD**FIG.26**DF20A\_F01\_014\_026  
INLET MANIFOLD**FIG.27**DF20A\_F01\_014\_027  
FUEL INJECTOR**FIG.28**DF20A\_F01\_014\_028  
FUEL PUMP**FIG.29**DF20A\_F01\_014\_029  
WATER PUMP**FIG.30**DF20A\_F01\_014\_030  
WATER PUMP**FIG.31**DF20A\_F01\_014\_031  
WATER PUMP**FIG.32**DF20A\_F01\_014\_032  
WATER PUMP

**FIG.33**

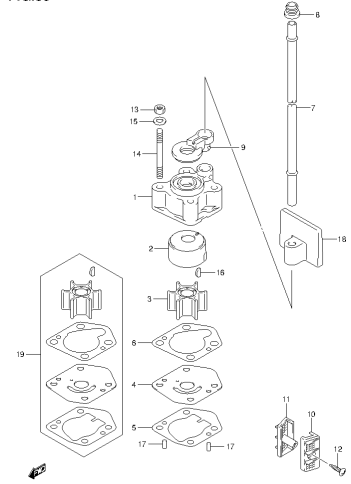
DF20A\_F01\_014\_033  
WATER PUMP

**FIG.34**

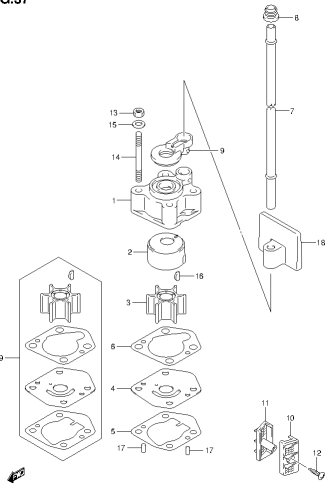
DF20A\_F01\_014\_034  
WATER PUMP

**FIG.35**

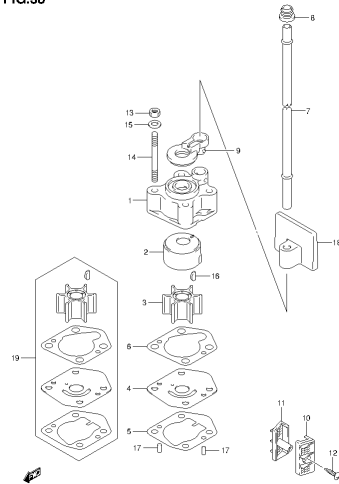
DF20A\_F01\_014\_035  
WATER PUMP

**FIG.36**

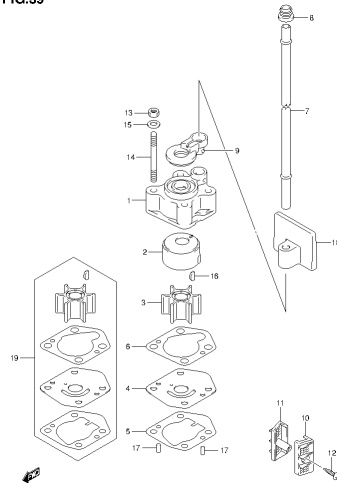
DF20A\_F01\_014\_036  
WATER PUMP

**FIG.37**

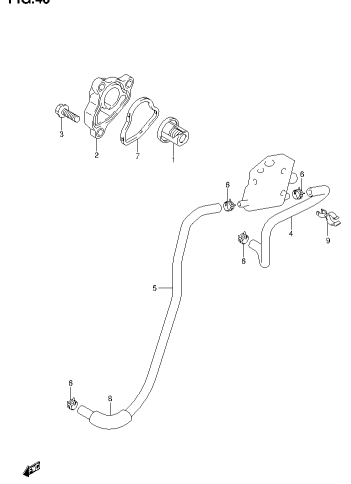
DF20A\_F01\_014\_037  
WATER PUMP

**FIG.38**

DF20A\_F01\_014\_038  
WATER PUMP

**FIG.39**

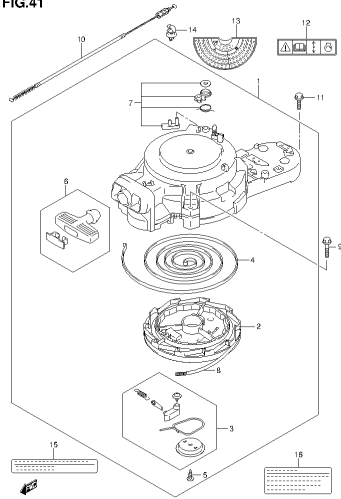
DF20A\_F01\_014\_039  
WATER PUMP

**FIG.40**

DF20A\_F01\_014\_040  
THERMOSTAT

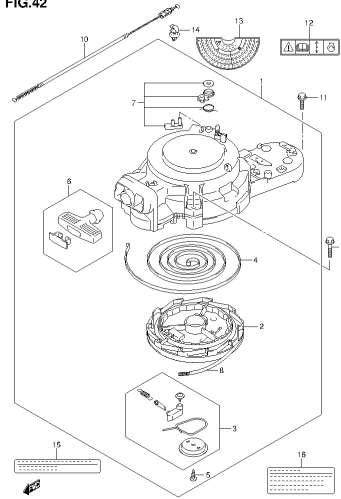


FIG.41



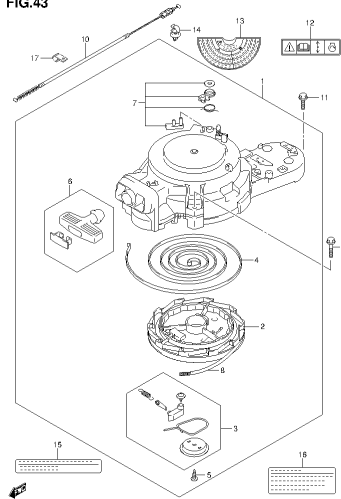
DF20A\_F01\_014\_041  
RECOIL STARTER

FIG.42



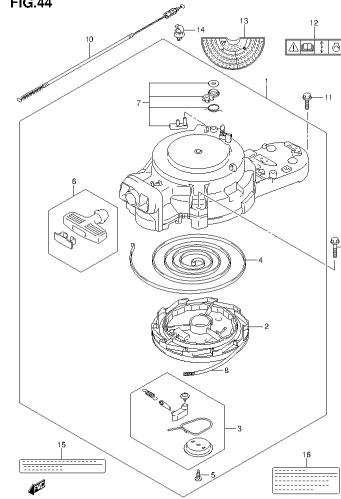
DF20A\_F01\_014\_042  
RECOIL STARTER

FIG.43



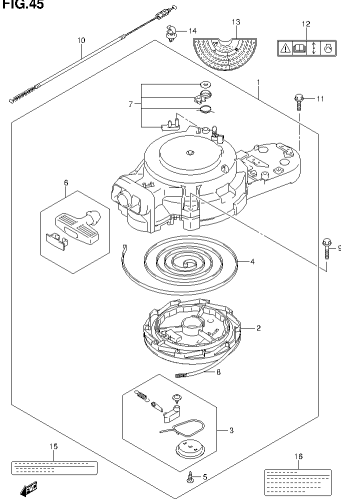
DF20A\_F01\_014\_043  
RECOIL STARTER

FIG.44



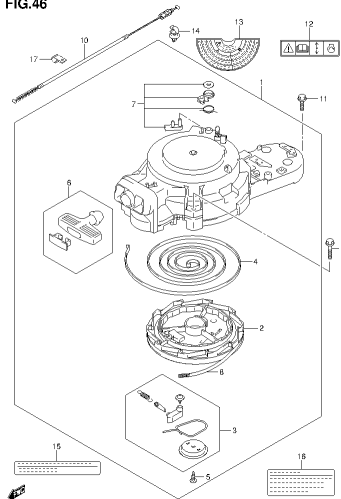
DF20A\_F01\_014\_044  
RECOIL STARTER

FIG.45



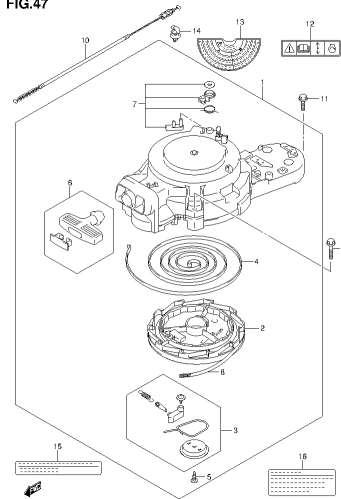
DF20A\_F01\_014\_045  
RECOIL STARTER

FIG.46



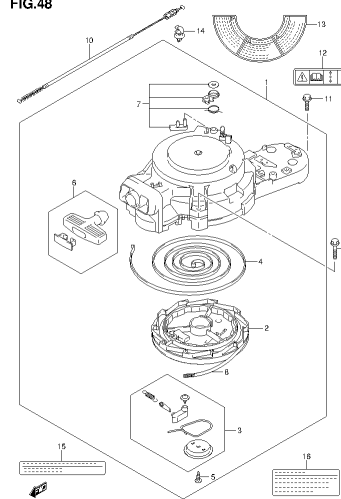
DF20A\_F01\_014\_046  
RECOIL STARTER

FIG.47



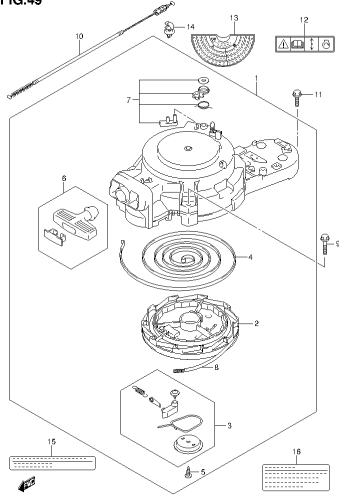
DF20A\_F01\_014\_047  
RECOIL STARTER

FIG.48



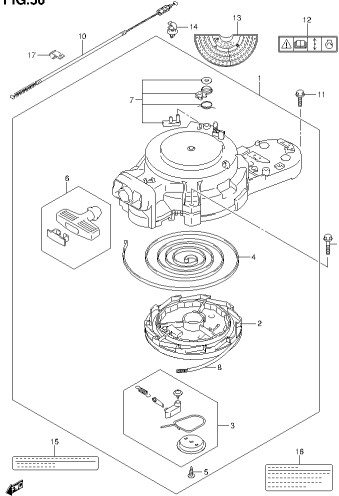
DF20A\_F01\_014\_048  
RECOIL STARTER

FIG.49



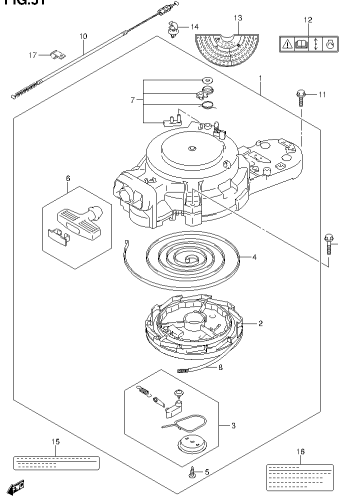
DF20A\_F01\_014\_049  
RECOIL STARTER

FIG.50



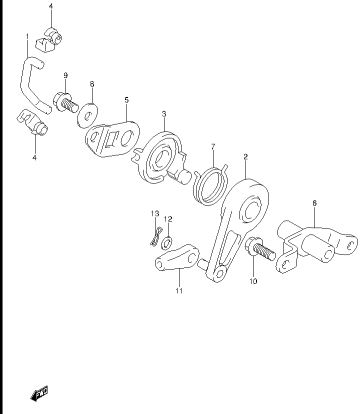
DF20A\_F01\_014\_050  
RECOIL STARTER

FIG.51



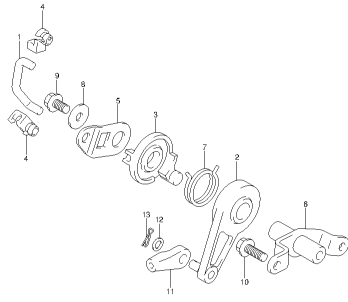
DF20A\_F01\_014\_051  
RECOIL STARTER

FIG.52



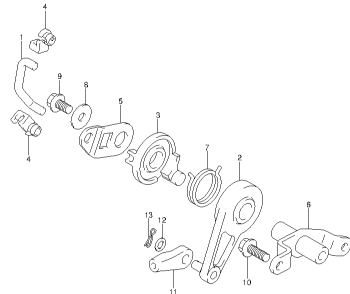
DF20A\_F01\_014\_052  
THROTTLE CONTROL

FIG.53



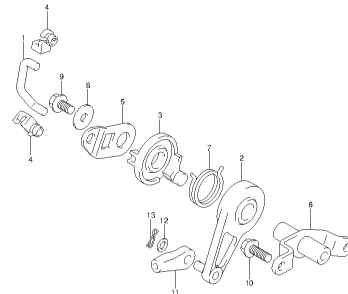
DF20A\_F01\_014\_053  
THROTTLE CONTROL

FIG.54



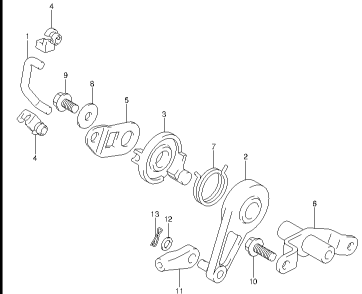
DF20A\_F01\_014\_054  
THROTTLE CONTROL

FIG.55



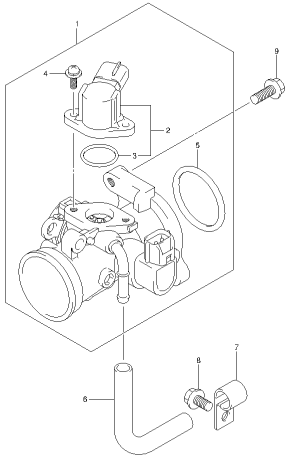
DF20A\_F01\_014\_055  
THROTTLE CONTROL

FIG.56



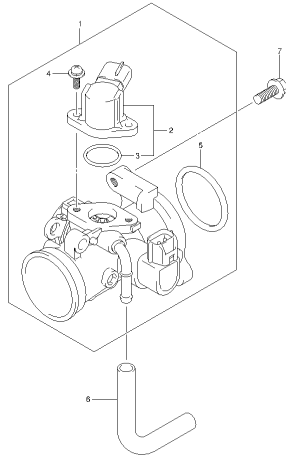
DF20A\_F01\_014\_056  
THROTTLE CONTROL

FIG.57



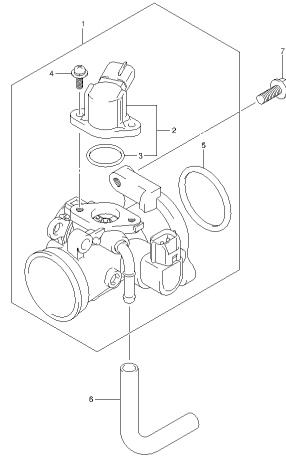
DF20A\_F01\_014\_057  
THROTTLE BODY

FIG.58



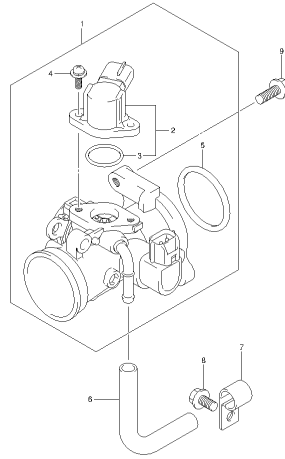
DF20A\_F01\_014\_058  
THROTTLE BODY

FIG.59



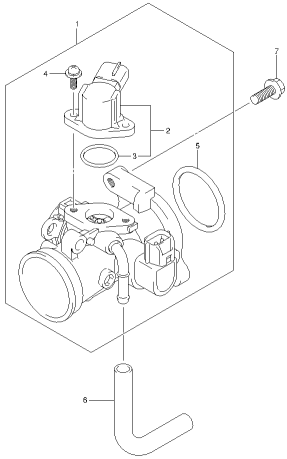
DF20A\_F01\_014\_059  
THROTTLE BODY

FIG.60



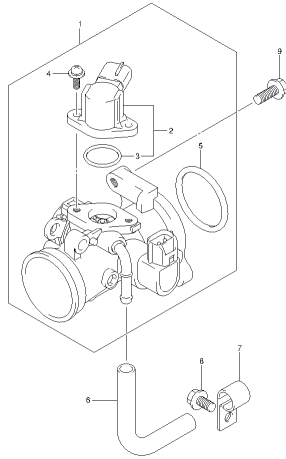
DF20A\_F01\_014\_060  
THROTTLE BODY

FIG.61



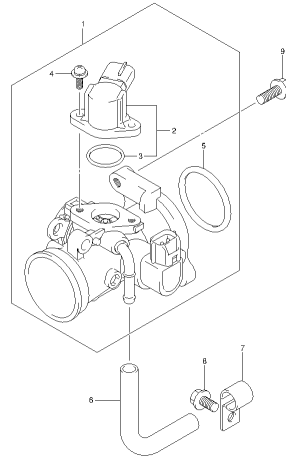
DF20A\_F01\_014\_061  
THROTTLE BODY

FIG.62



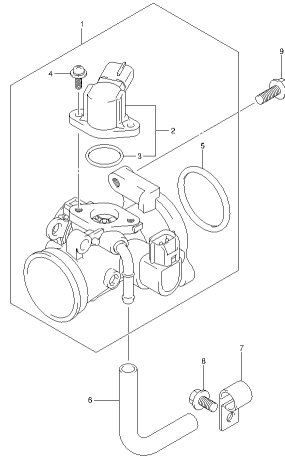
DF20A\_F01\_014\_062  
THROTTLE BODY

FIG.63



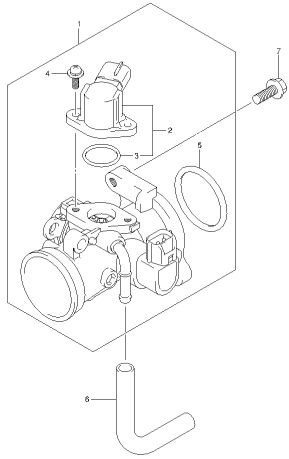
DF20A\_F01\_014\_063  
THROTTLE BODY

FIG.64



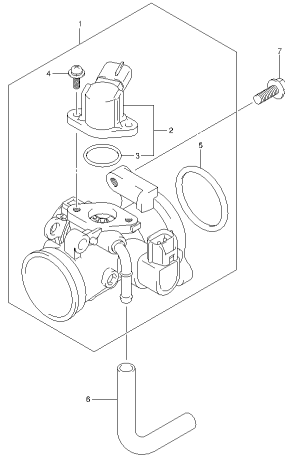
DF20A\_F01\_014\_064  
THROTTLE BODY

FIG.65



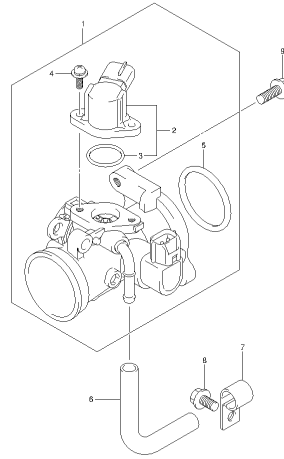
DF20A\_F01\_014\_065  
THROTTLE BODY

FIG.66



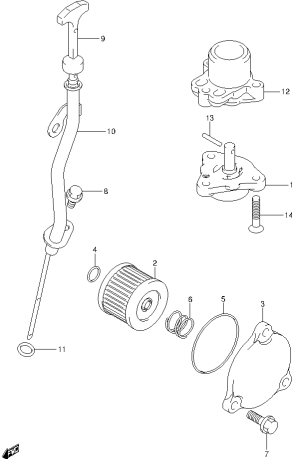
DF20A\_F01\_014\_066  
THROTTLE BODY

FIG.67



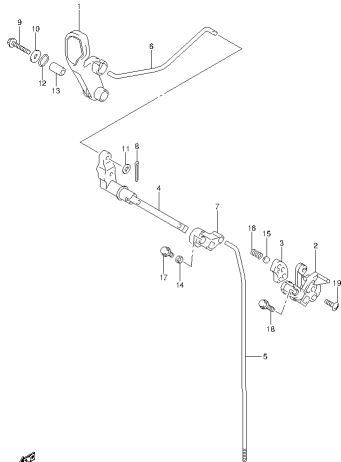
DF20A\_F01\_014\_067  
THROTTLE BODY

FIG.68



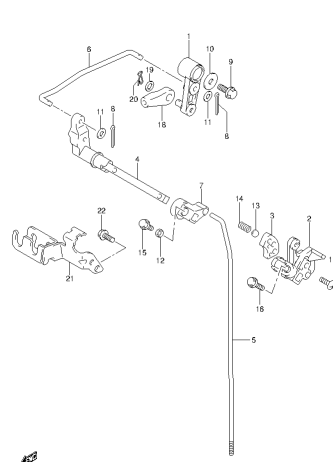
DF20A\_F01\_014\_068  
OIL PUMP

FIG.69



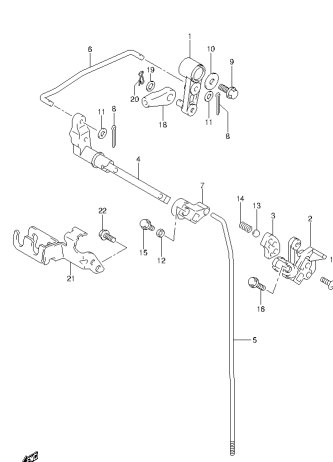
DF20A\_F01\_014\_069  
CLUTCH FORK

FIG.70



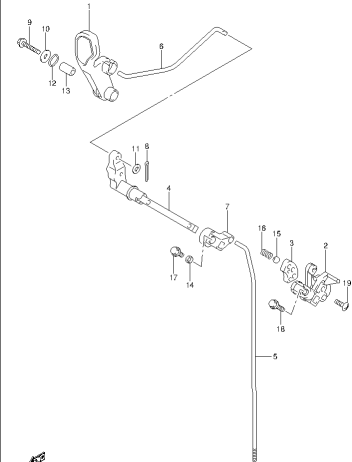
DF20A\_F01\_014\_070  
CLUTCH FORK

FIG.71



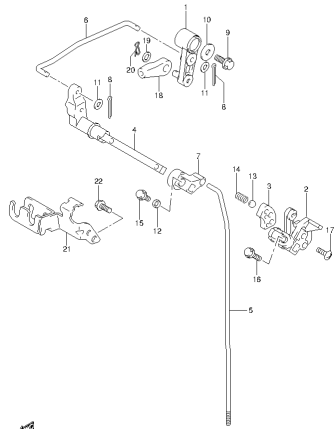
DF20A\_F01\_014\_071  
CLUTCH FORK

FIG.72



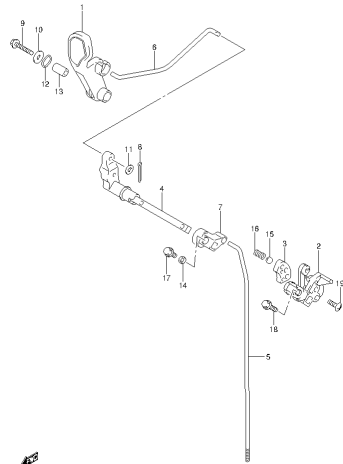
DF20A\_F01\_014\_072  
CLUTCH FORK

FIG.73



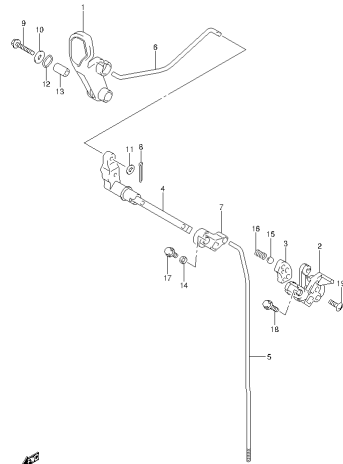
DF20A\_F01\_014\_073  
CLUTCH ROD

FIG.74



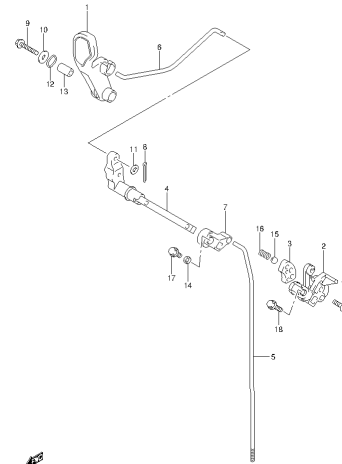
DF20A\_F01\_014\_074  
CLUTCH ROD

FIG.75



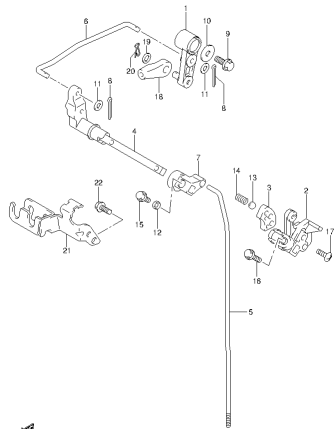
DF20A\_F01\_014\_075  
CLUTCH ROD

FIG.76



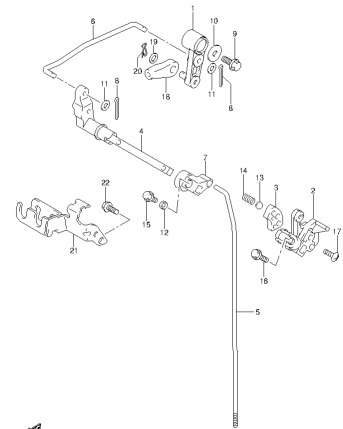
DF20A\_F01\_014\_076  
CLUTCH ROD

FIG.77



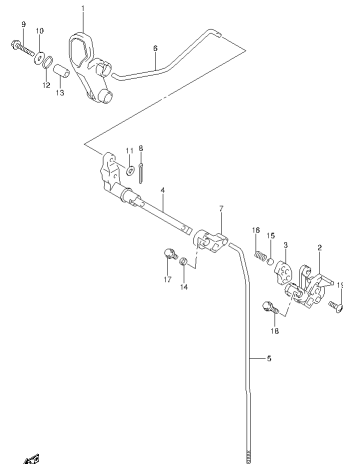
DF20A\_F01\_014\_077  
CLUTCH ROD

FIG.78



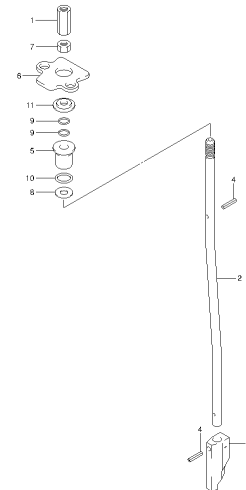
DF20A\_F01\_014\_078  
CLUTCH ROD

FIG.79



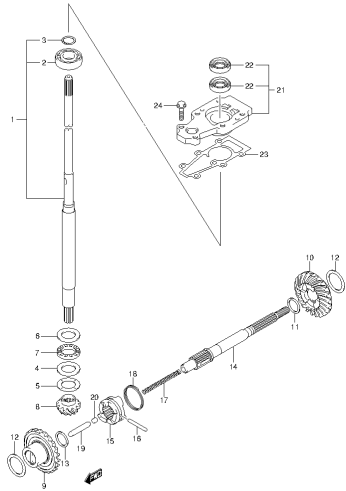
DF20A\_F01\_014\_079  
CLUTCH ROD

FIG.80



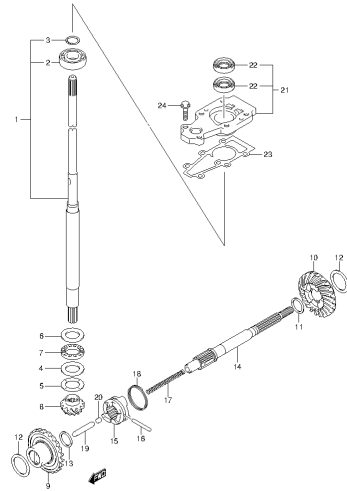
DF20A\_F01\_014\_080  
SHIFT ROD

FIG.81



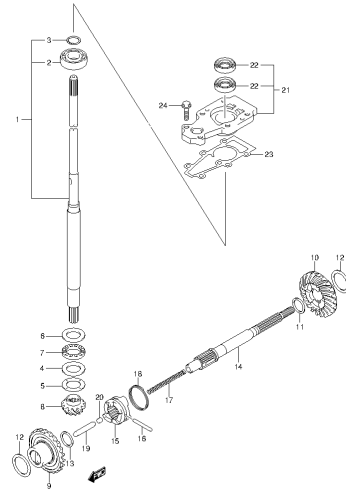
DF20A\_F01\_014\_081  
TRANSMISSION

FIG.82



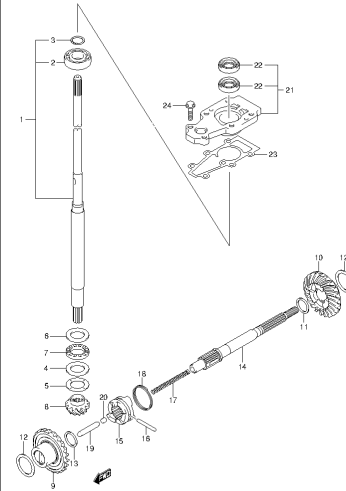
DF20A\_F01\_014\_082  
TRANSMISSION

FIG.83



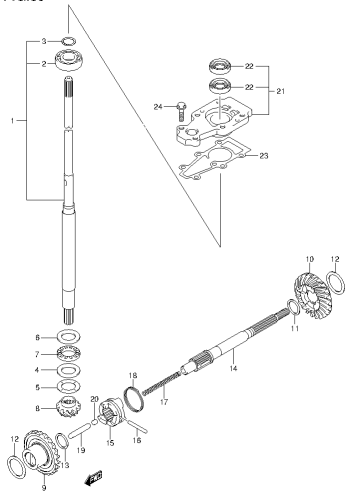
DF20A\_F01\_014\_083  
TRANSMISSION

FIG.84



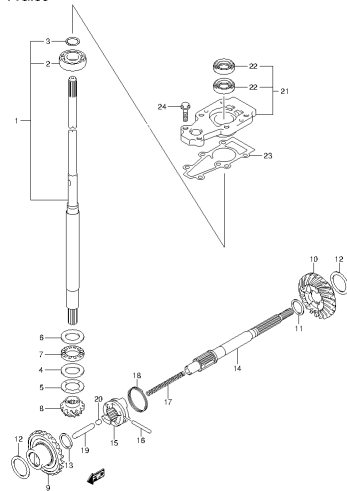
DF20A\_F01\_014\_084  
TRANSMISSION

FIG.85



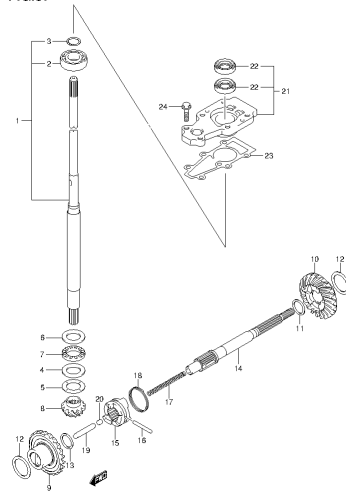
DF20A\_F01\_014\_085  
TRANSMISSION

FIG.86



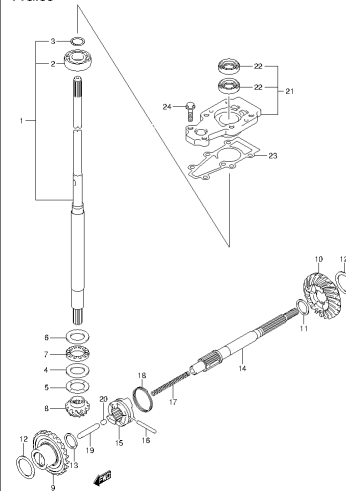
DF20A\_F01\_014\_086  
TRANSMISSION

FIG.87



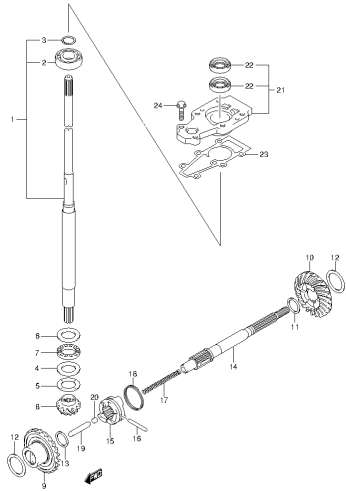
DF20A\_F01\_014\_087  
TRANSMISSION

FIG.88



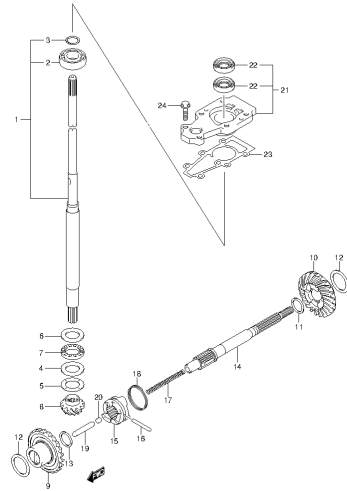
DF20A\_F01\_014\_088  
TRANSMISSION

FIG.89



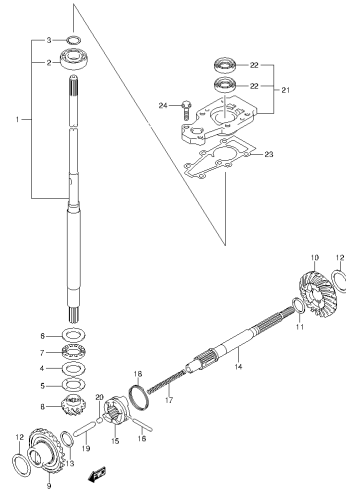
DF20A\_F01\_014\_089  
TRANSMISSION

FIG.90



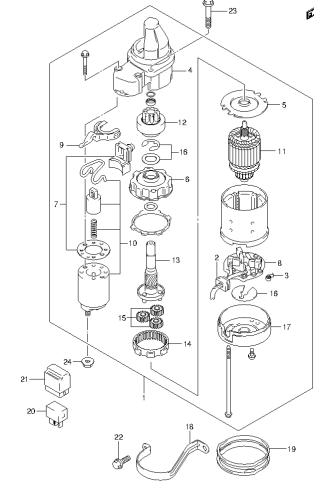
DF20A\_F01\_014\_090  
TRANSMISSION

FIG.91



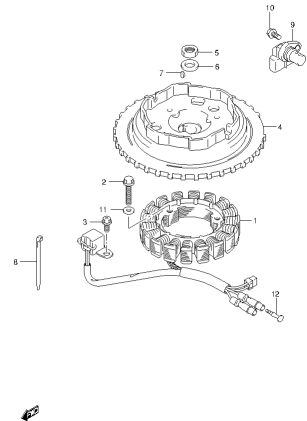
DF20A\_F01\_014\_091  
TRANSMISSION

FIG.92



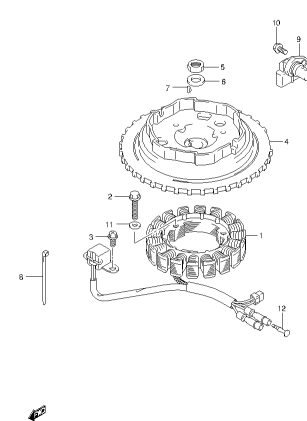
DF20A\_F01\_014\_092  
STARTING MOTOR (ELECTRIC STARTER)

FIG.93



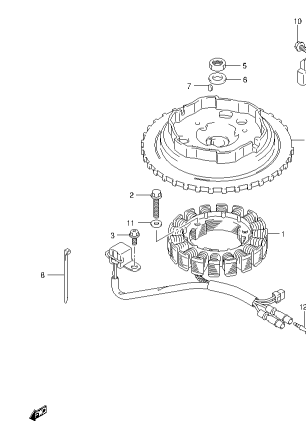
DF20A\_F01\_014\_093  
MAGNETO (MANUAL STARTER)

FIG.94



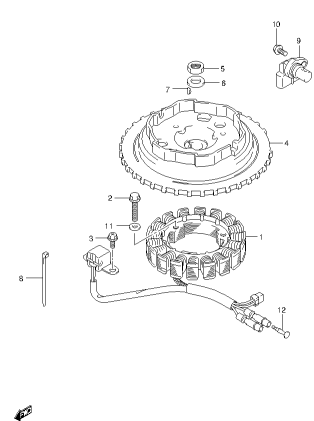
DF20A\_F01\_014\_094  
MAGNETO (MANUAL STARTER)

FIG.95



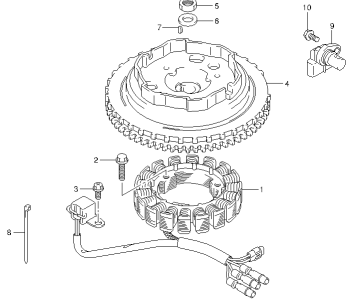
DF20A\_F01\_014\_095  
MAGNETO (MANUAL STARTER)

FIG.96



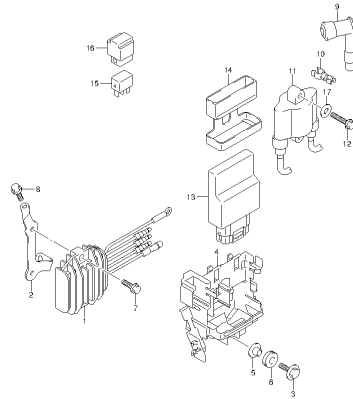
DF20A\_F01\_014\_096  
MAGNETO (MANUAL STARTER)

FIG.97



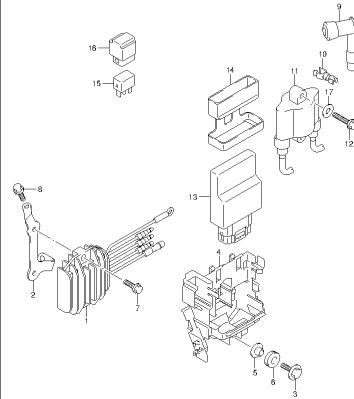
DF20A\_F01\_014\_097  
MAGNETO (ELECTRIC STARTER)

FIG.98



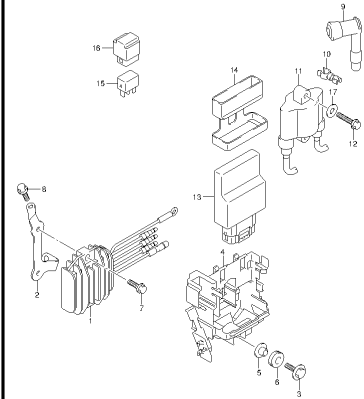
DF20A\_F01\_014\_098  
RECTIF/IGNITION COIL

FIG.99



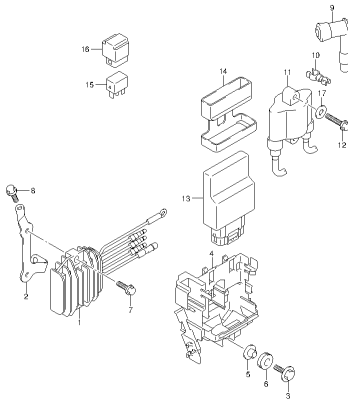
DF20A\_F01\_014\_099  
RECTIF/IGNITION COIL

FIG.100



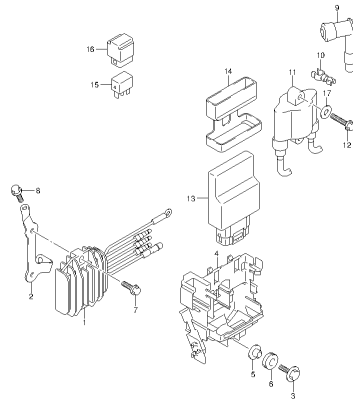
DF20A\_F01\_014\_100  
RECTIF/IGNITION COIL

FIG.101



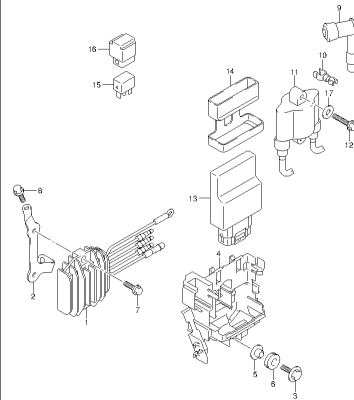
DF20A\_F01\_014\_101  
RECTIF/IGNITION COIL

FIG.102



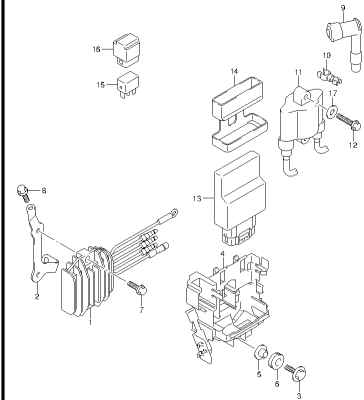
DF20A\_F01\_014\_102  
RECTIF/IGNITION COIL

FIG.103



DF20A\_F01\_014\_103  
RECTIF/IGNITION COIL

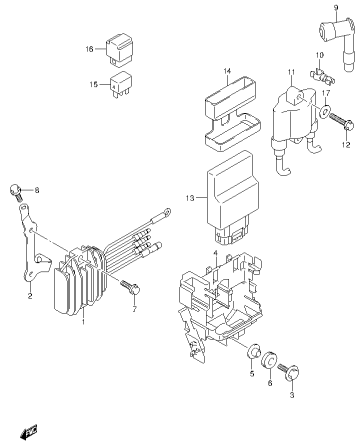
FIG.104



DF20A\_F01\_014\_104  
RECTIF/IGNITION COIL

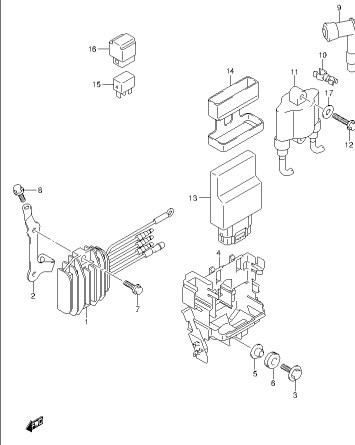


FIG.105



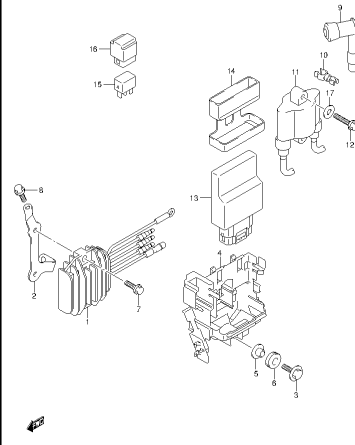
DF20A\_F01\_014\_105  
RECTIFIER/IGNITION COIL

FIG.106



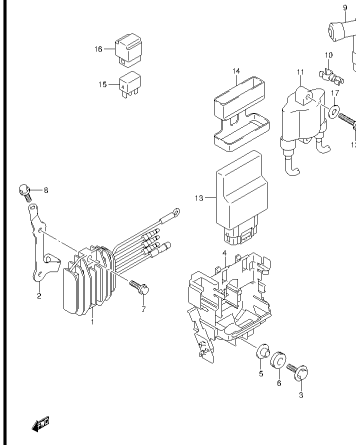
DF20A\_F01\_014\_106  
RECTIFIER/IGNITION COIL

FIG.107



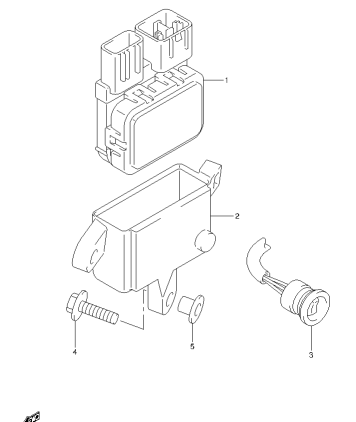
DF20A\_F01\_014\_107  
RECTIFIER/IGNITION COIL

FIG.108



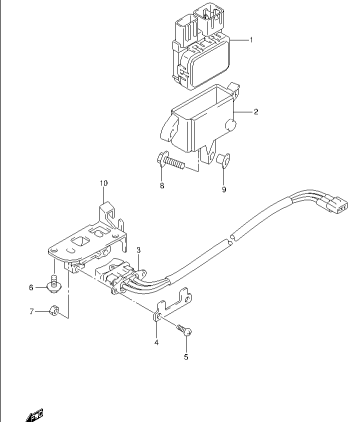
DF20A\_F01\_014\_108  
RECTIFIER/IGNITION COIL

FIG.109



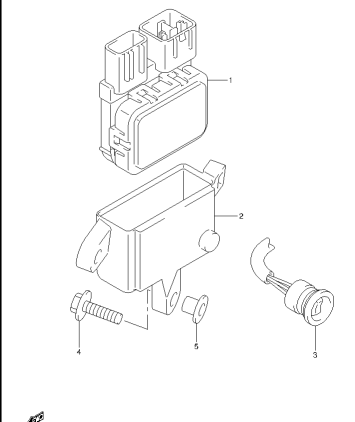
DF20A\_F01\_014\_109  
PTT SWITCH

FIG.110



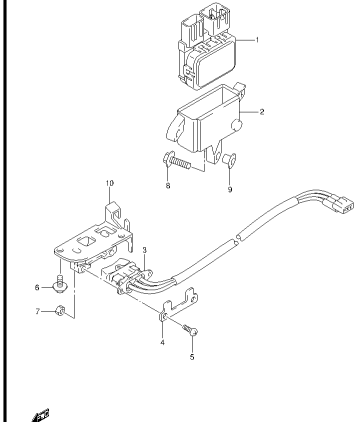
DF20A\_F01\_014\_110  
PTT SWITCH

FIG.111



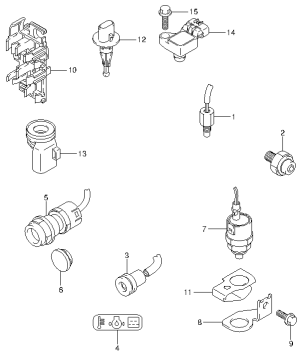
DF20A\_F01\_014\_111  
PTT SWITCH

FIG.112



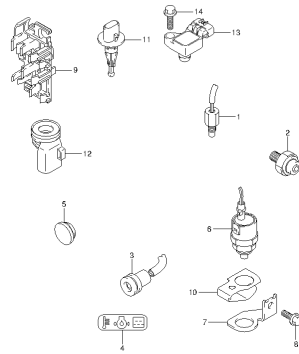
DF20A\_F01\_014\_112  
PTT SWITCH

FIG.113



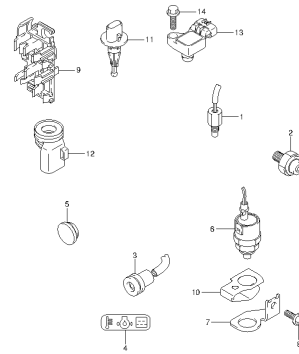
DF20A\_F01\_014\_113  
SENSORSWITCH

FIG.114



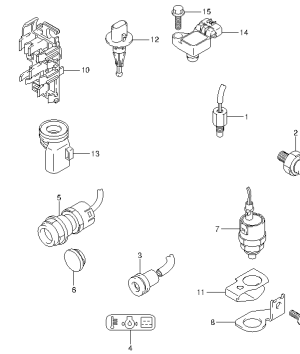
DF20A\_F01\_014\_114  
SENSORSWITCH

FIG.115



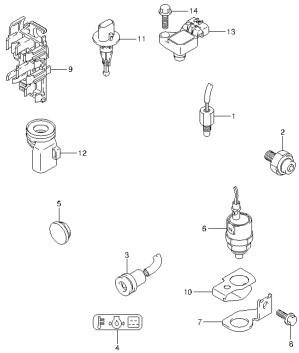
DF20A\_F01\_014\_115  
SENSORSWITCH

FIG.116



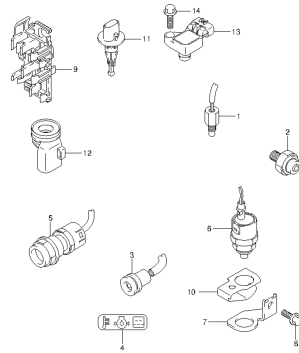
DF20A\_F01\_014\_116  
SENSORSWITCH

FIG.117



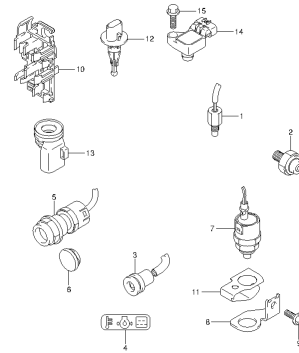
DF20A\_F01\_014\_117  
SENSORSWITCH

FIG.118



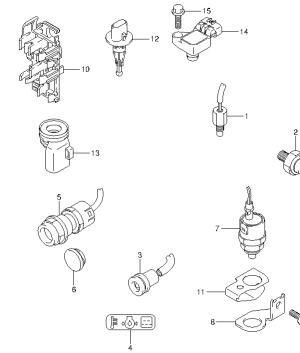
DF20A\_F01\_014\_118  
SENSORSWITCH

FIG.119



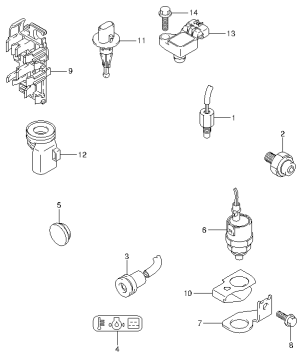
DF20A\_F01\_014\_119  
SENSORSWITCH

FIG.120



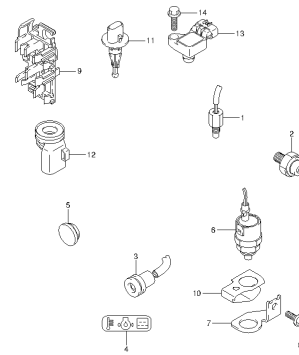
DF20A\_F01\_014\_120  
SENSORSWITCH

FIG.121



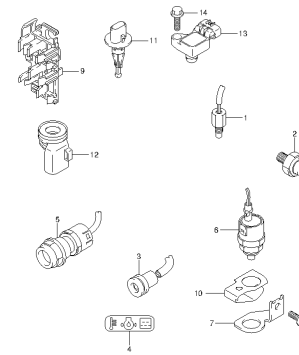
DF20A\_F01\_014\_121  
SENSORSWITCH

FIG.122



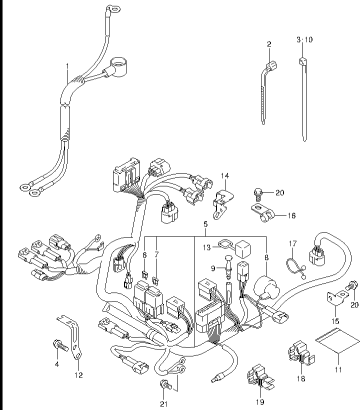
DF20A\_F01\_014\_122  
SENSORSWITCH

FIG.123



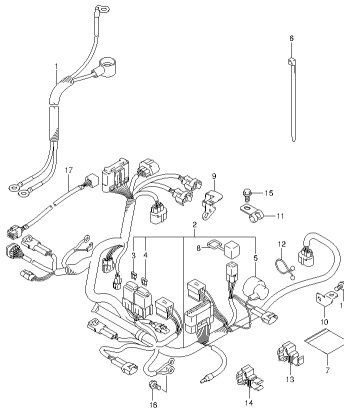
DF20A\_F01\_014\_123  
SENSORSWITCH

FIG.124



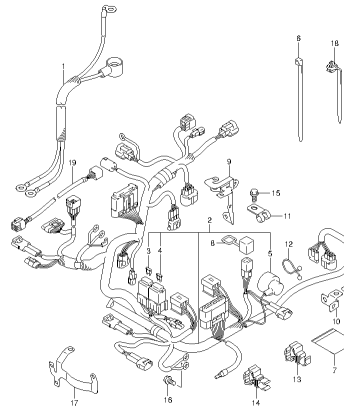
DF20A\_F01\_014\_124  
HARNESS

FIG.125



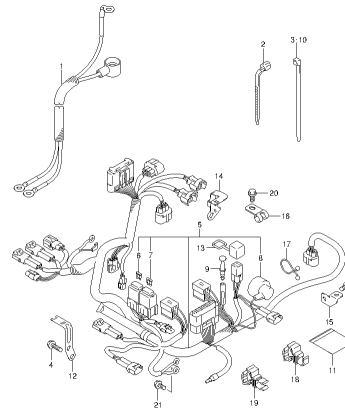
DF20A\_F01\_014\_125  
HARNESS

FIG.126



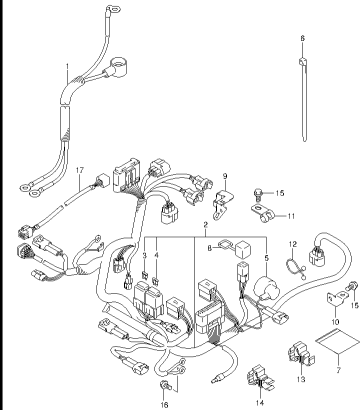
DF20A\_F01\_014\_126  
HARNESS

FIG.127



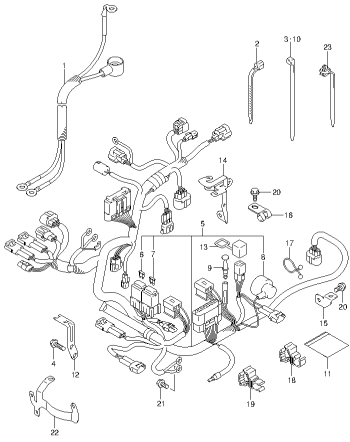
DF20A\_F01\_014\_127  
HARNESS

FIG.128



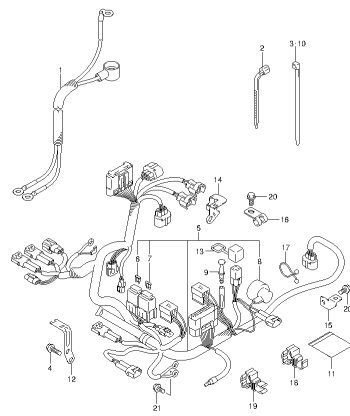
DF20A\_F01\_014\_128  
HARNESS

FIG.129



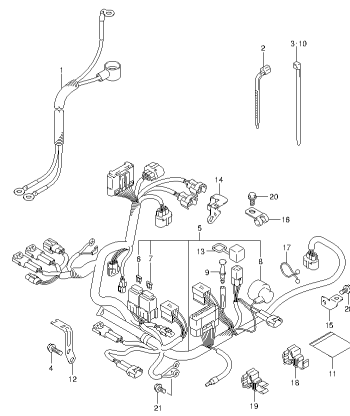
DF20A\_F01\_014\_129  
HARNISS

FIG.130



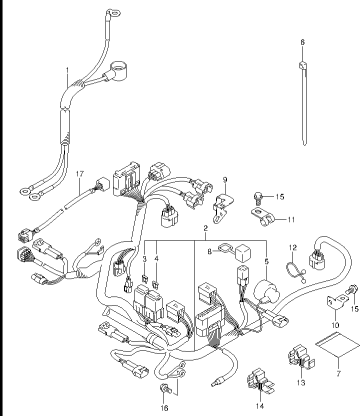
DF20A\_F01\_014\_130  
HARNISS

FIG.131



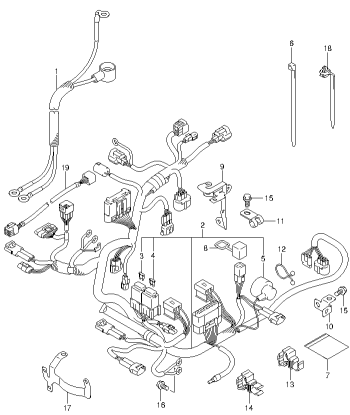
DF20A\_F01\_014\_131  
HARNISS

FIG.132



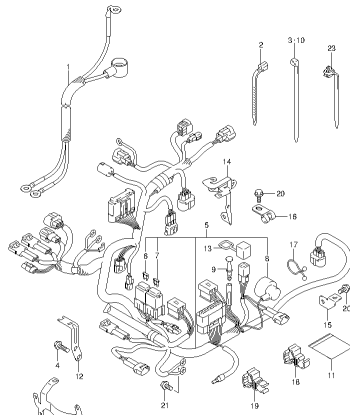
DF20A\_F01\_014\_132  
HARNISS

FIG.133



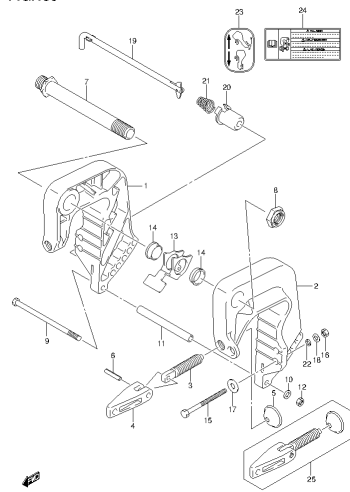
DF20A\_F01\_014\_133  
HARNISS

FIG.134



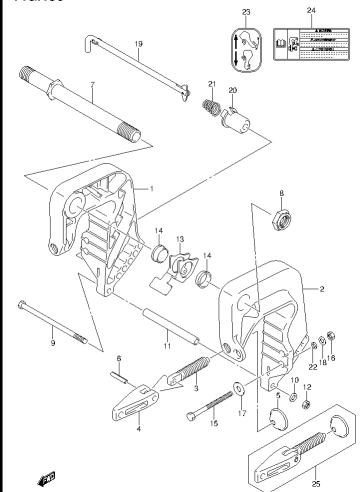
DF20A\_F01\_014\_134  
HARNISS

FIG.135



DF20A\_F01\_014\_135  
CLAMP BRACKET

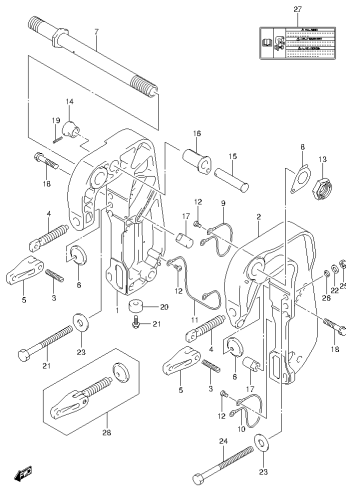
FIG.136



DF20A\_F01\_014\_136  
CLAMP BRACKET

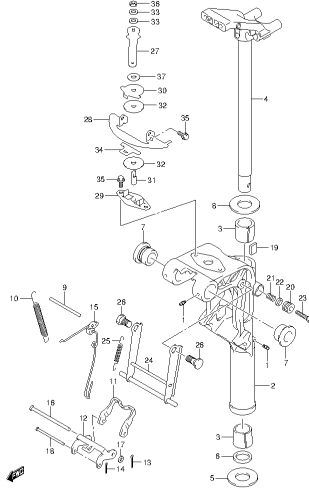


FIG.145



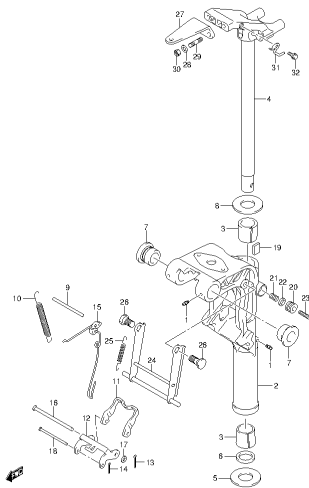
DF20A\_F01\_014\_145  
CLAMP BRACKET

FIG.146



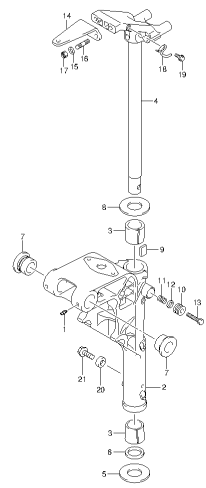
DF20A\_F01\_014\_146  
SWIVEL BRACKET

FIG.147



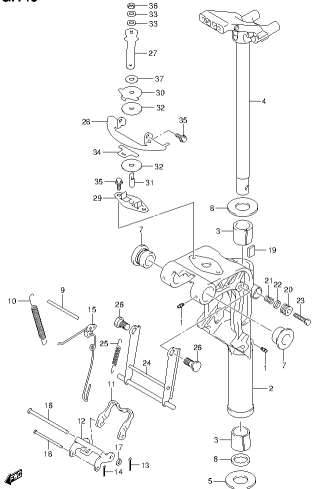
DF20A\_F01\_014\_147  
SWIVEL BRACKET

FIG.148



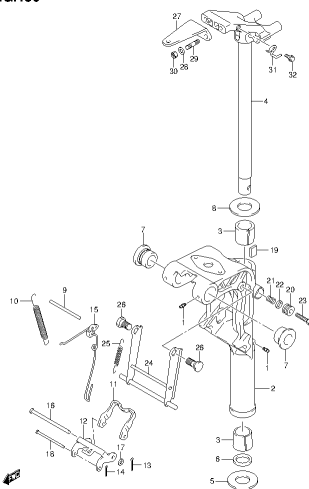
DF20A\_F01\_014\_148  
SWIVEL BRACKET

FIG.149



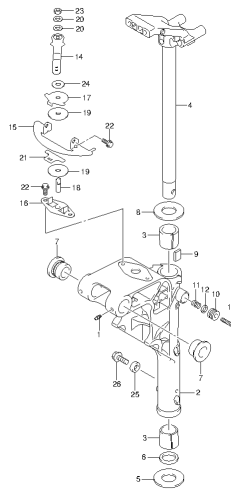
DF20A\_F01\_014\_149  
SWIVEL BRACKET

FIG.150



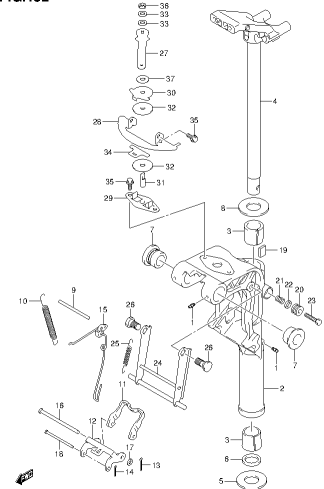
DF20A\_F01\_014\_150  
SWIVEL BRACKET

FIG.151



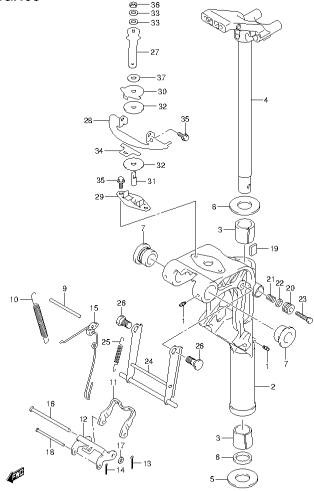
DF20A\_F01\_014\_151  
SWIVEL BRACKET

FIG.152



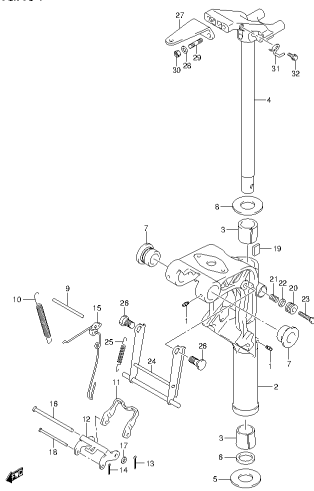
DF20A\_F01\_014\_152  
SWIVEL BRACKET

FIG.153



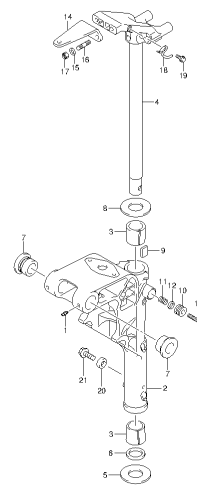
DF20A\_F01\_014\_153  
SWIVEL BRACKET

FIG.154



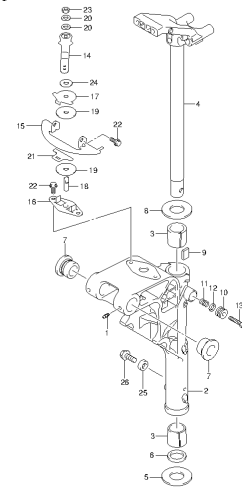
DF20A\_F01\_014\_154  
SWIVEL BRACKET

FIG.155



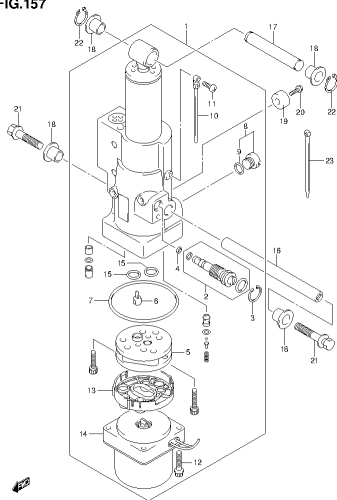
DF20A\_F01\_014\_155  
SWIVEL BRACKET

FIG.156



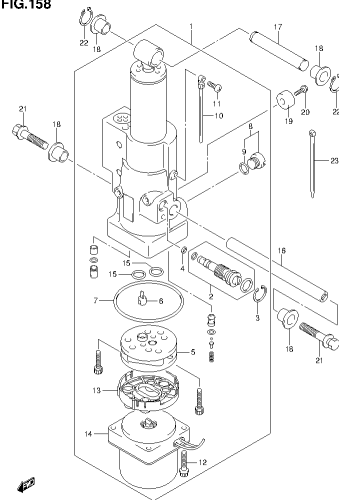
DF20A\_F01\_014\_156  
SWIVEL BRACKET

FIG.157



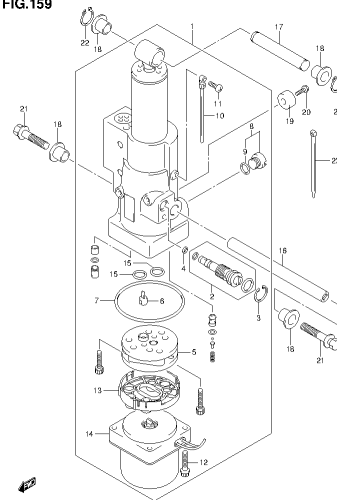
DF20A\_F01\_014\_157  
TILT CYLINDER

FIG.158



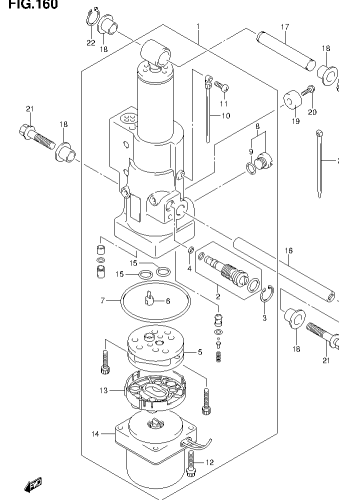
DF20A\_F01\_014\_158  
TILT CYLINDER

FIG.159



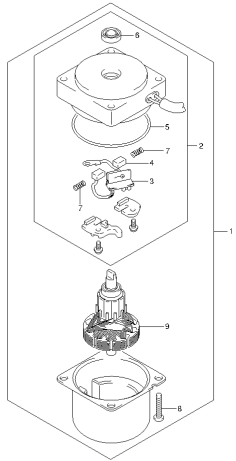
DF20A\_F01\_014\_159  
TILT CYLINDER

FIG.160



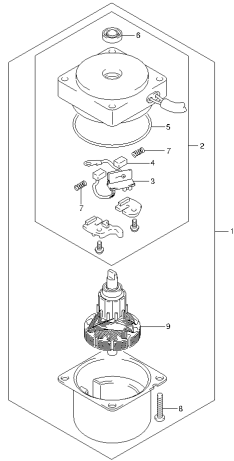
DF20A\_F01\_014\_160  
TILT CYLINDER

FIG.161



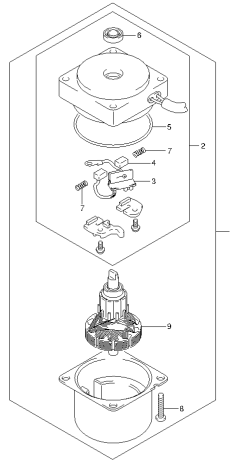
DF20A\_F01\_014\_181  
PTT MOTOR

FIG.162



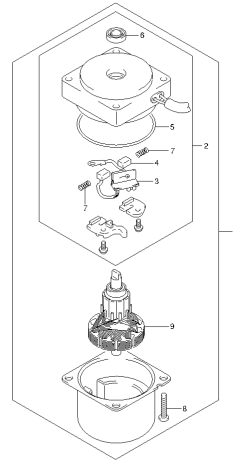
DF20A\_F01\_014\_182  
PTT MOTOR

FIG.163



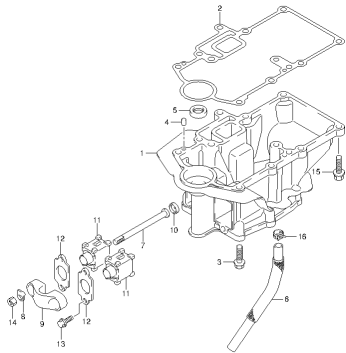
DF20A\_F01\_014\_183  
PTT MOTOR

FIG.164



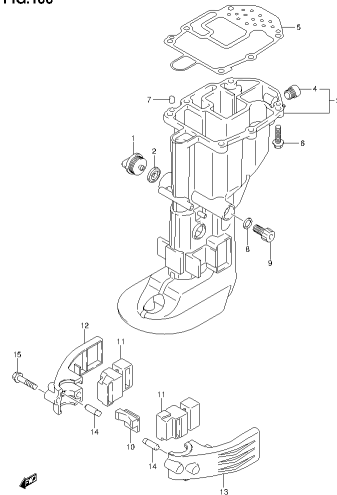
DF20A\_F01\_014\_184  
PTT MOTOR

FIG.165



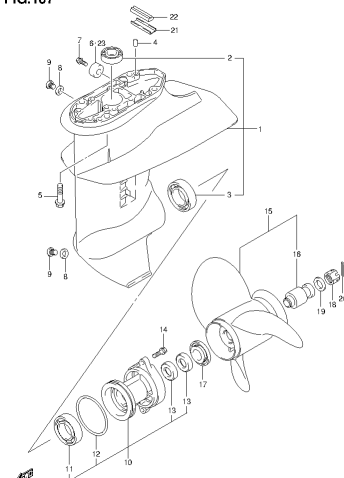
DF20A\_F01\_014\_185  
ENGINE HOLDER

FIG.166



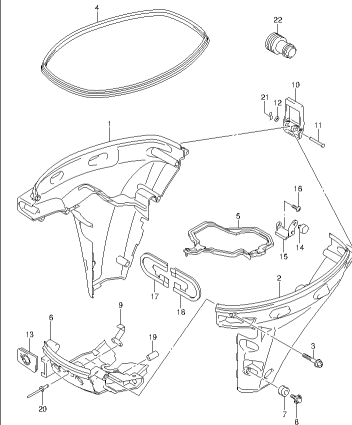
DF20A\_F01\_014\_186  
DRIVE SHAFT HOUSING

FIG.167



DF20A\_F01\_014\_187  
GEAR CASE

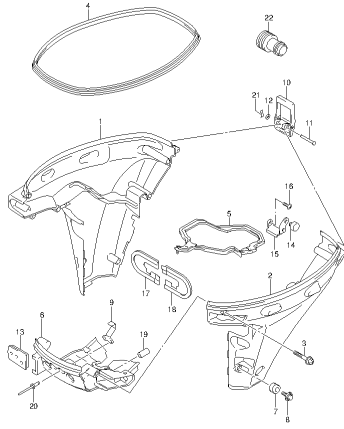
FIG.168



DF20A\_F01\_014\_188  
SIDE COVER

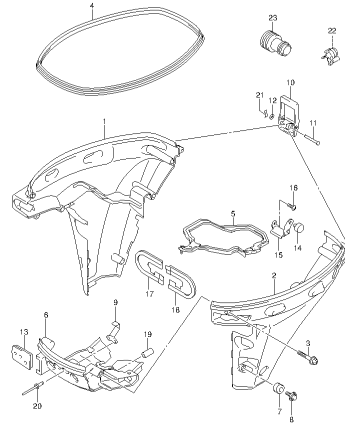


FIG.169



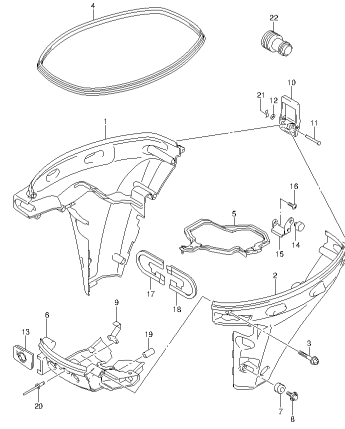
DF20A\_F01\_014\_169  
SIDE COVER

FIG.170



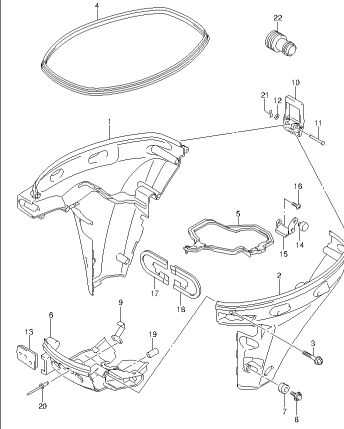
DF20A\_F01\_014\_170  
SIDE COVER

FIG.171



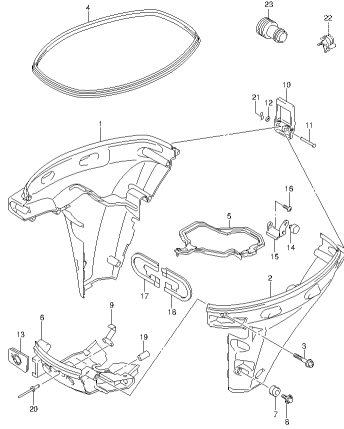
DF20A\_F01\_014\_171  
SIDE COVER

FIG.172



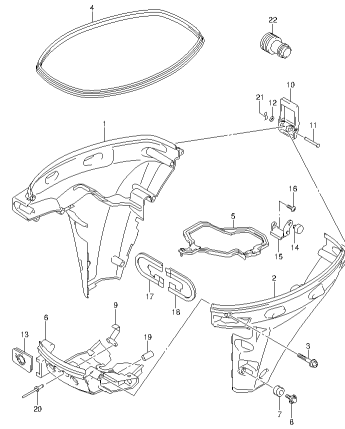
DF20A\_F01\_014\_172  
SIDE COVER

FIG.173



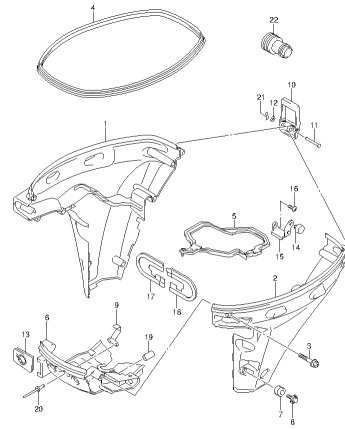
DF20A\_F01\_014\_173  
SIDE COVER

FIG.174



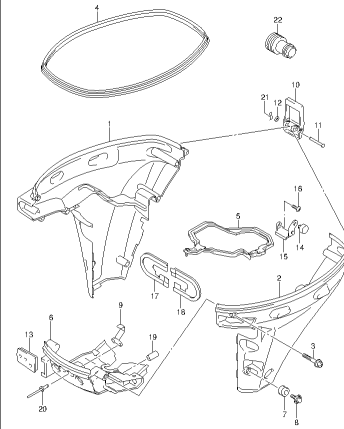
DF20A\_F01\_014\_174  
SIDE COVER

FIG.175



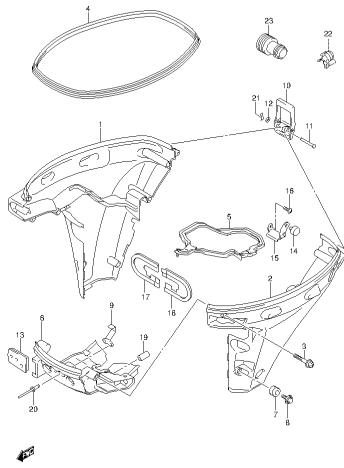
DF20A\_F01\_014\_175  
SIDE COVER

FIG.176



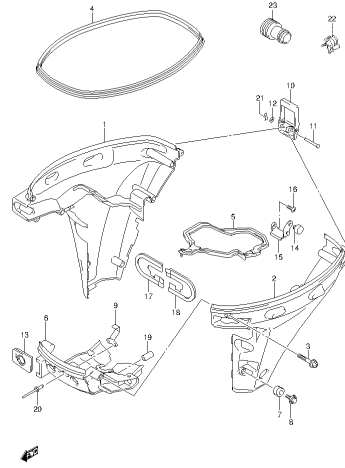
DF20A\_F01\_014\_176  
SIDE COVER

FIG.177



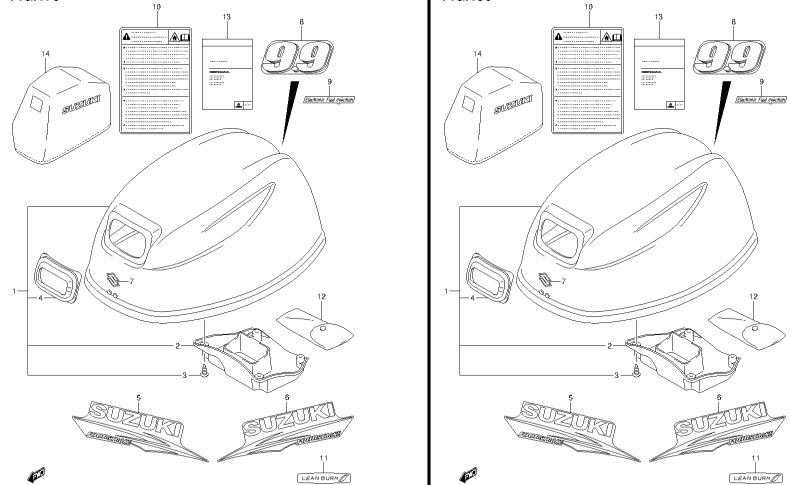
DF20A\_F01\_014\_177  
SIDE COVER

FIG.178



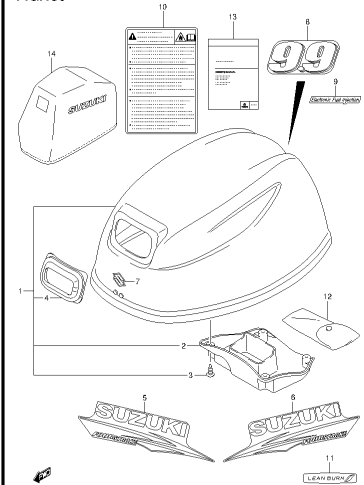
DF20A\_F01\_014\_178  
SIDE COVER

FIG.179



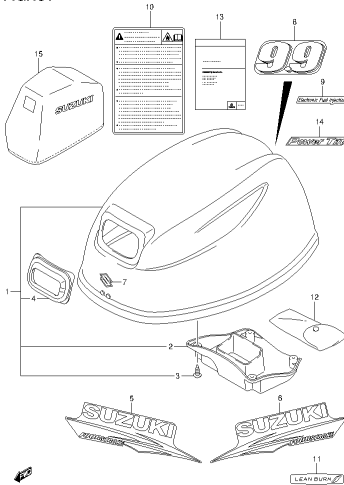
DF20A\_F01\_014\_179  
ENGINE COVER

FIG.180



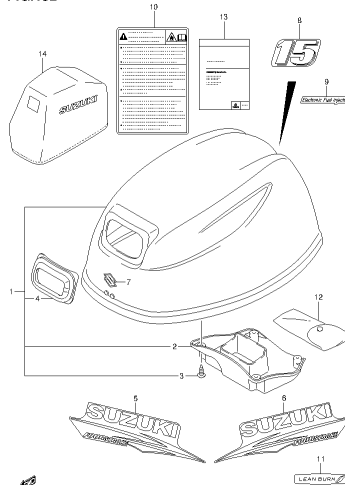
DF20A\_F01\_014\_180  
ENGINE COVER

FIG.181



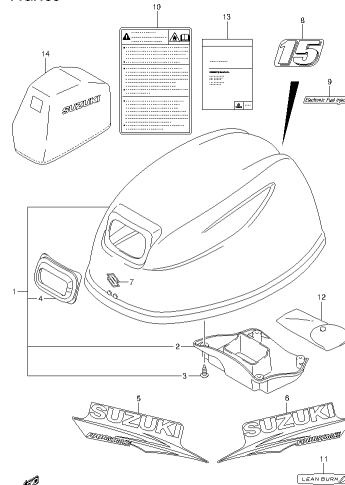
DF20A\_F01\_014\_181  
ENGINE COVER

FIG.182



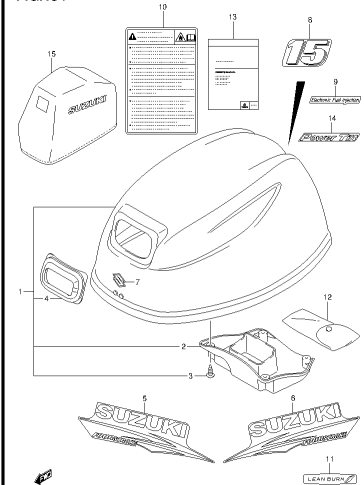
DF20A\_F01\_014\_182  
ENGINE COVER

FIG.183



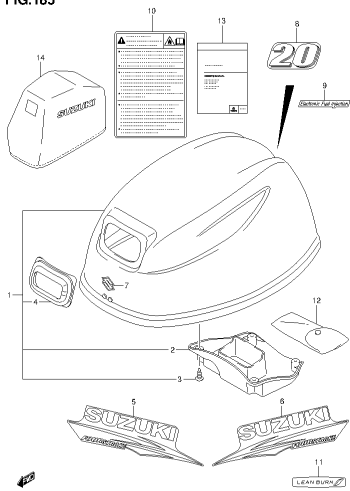
DF20A\_F01\_014\_183  
ENGINE COVER

FIG.184



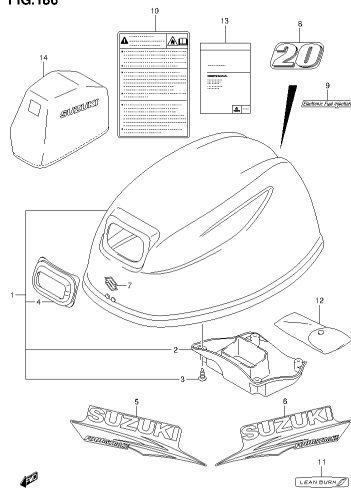
DF20A\_F01\_014\_184  
ENGINE COVER

FIG.185



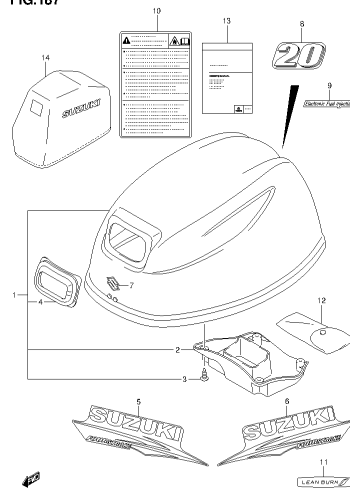
DF20A\_F01\_014\_185  
ENGINE COVER

FIG.186



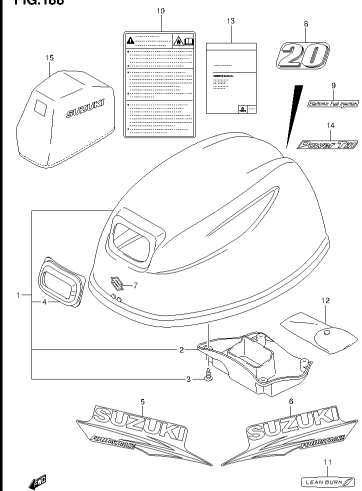
DF20A\_F01\_014\_186  
ENGINE COVER

FIG.187



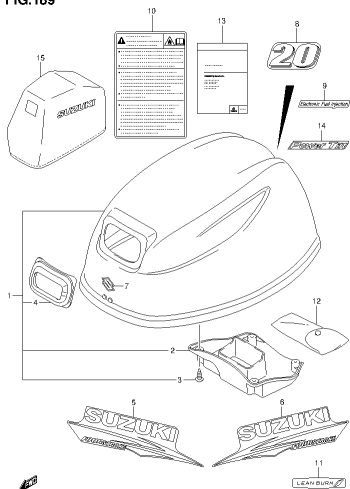
DF20A\_F01\_014\_187  
ENGINE COVER

FIG.188



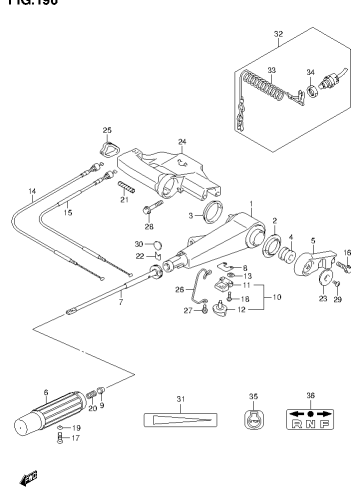
DF20A\_F01\_014\_188  
ENGINE COVER

FIG.189



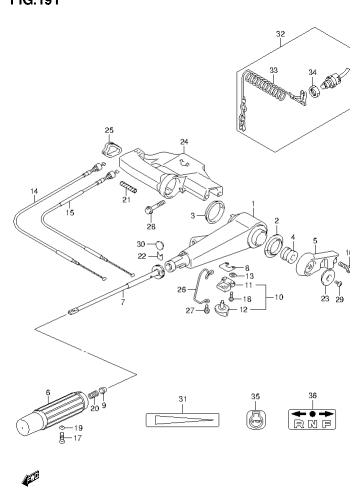
DF20A\_F01\_014\_189  
ENGINE COVER

FIG.190



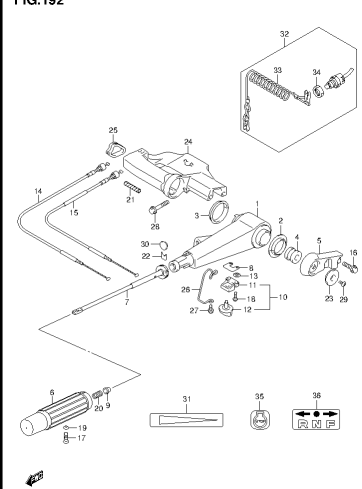
DF20A\_F01\_014\_190  
TILLER HANDLE

FIG.191



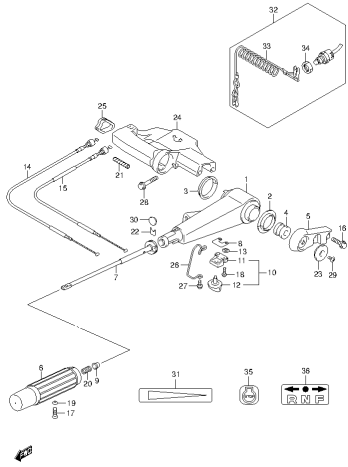
DF20A\_F01\_014\_191  
TILLER HANDLE

FIG.192



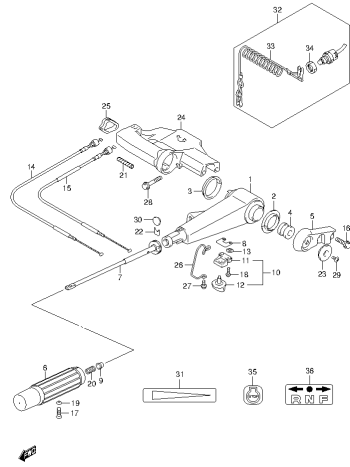
DF20A\_F01\_014\_192  
TILLER HANDLE

FIG.193



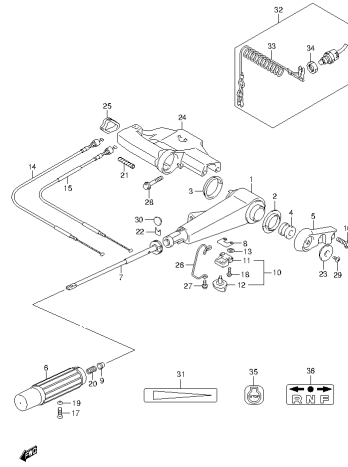
DF20A\_F01\_014\_193  
TILLER HANDLE

FIG.194



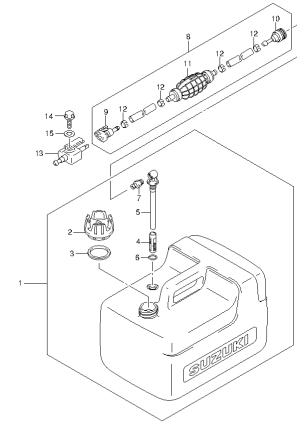
DF20A\_F01\_014\_194  
TILLER HANDLE

FIG.195



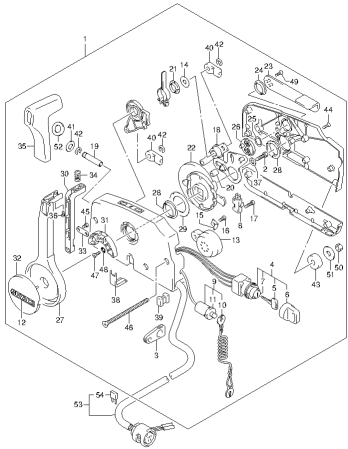
DF20A\_F01\_014\_195  
TILLER HANDLE

FIG.196



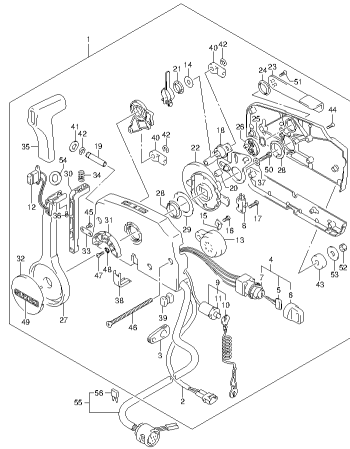
DF20A\_F01\_014\_196  
FUEL TANK

FIG.197



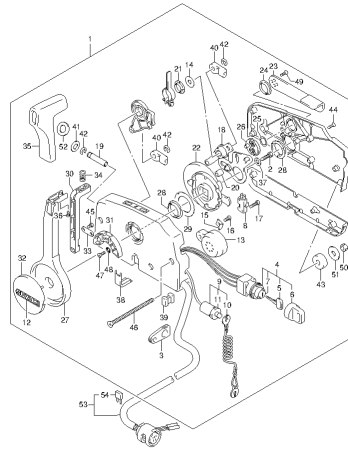
DF20A\_F01\_014\_197  
REMOTE CONTROL

FIG.198



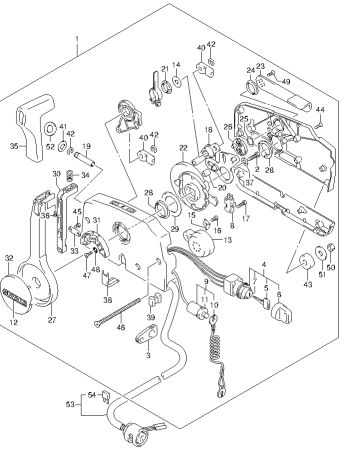
DF20A\_F01\_014\_198  
REMOTE CONTROL

FIG.199



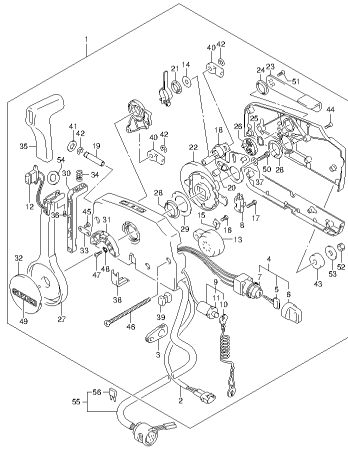
DF20A\_F01\_014\_199  
REMOTE CONTROL

FIG.200



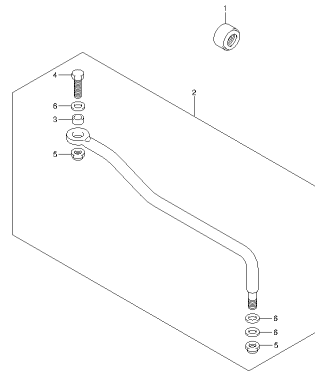
DF20A\_F01\_014\_200  
REMOTE CONTROL

FIG.201



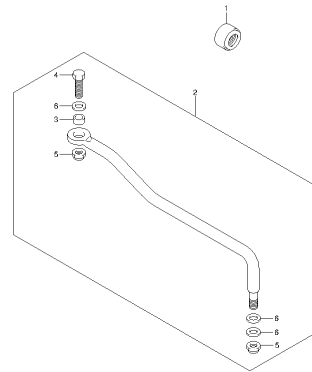
DF20A\_F01\_014\_201  
REMOTE CONTROL

FIG.202



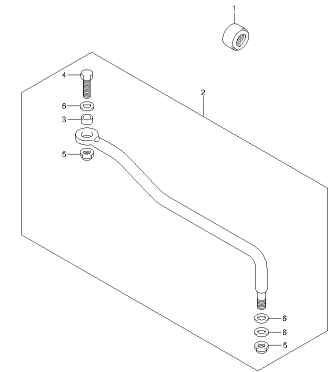
DF20A\_F01\_014\_202  
DRAG LINK

FIG.203



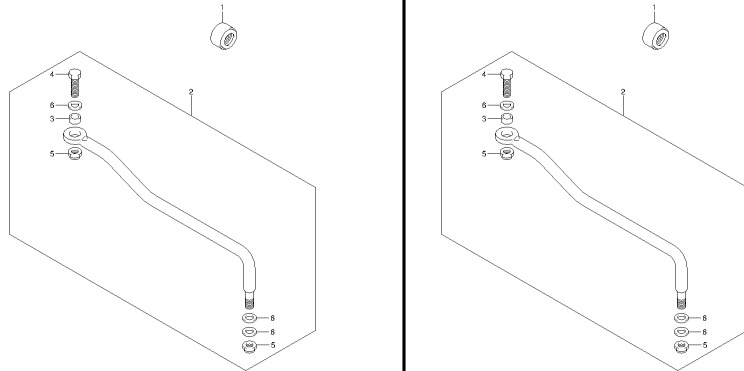
DF20A\_F01\_014\_203  
DRAG LINK

FIG.204



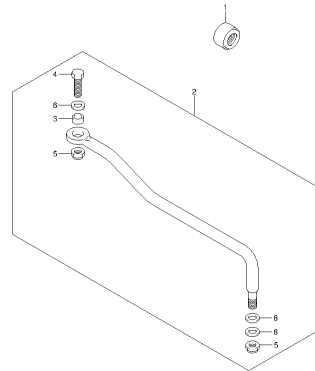
DF20A\_F01\_014\_204  
DRAG LINK

FIG.205



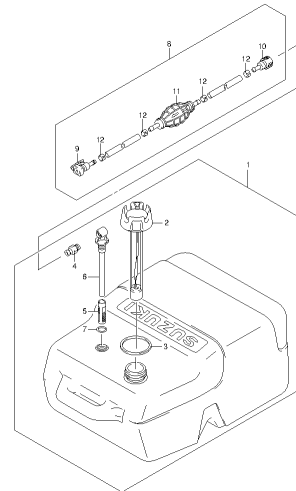
DF20A\_F01\_014\_205  
DRAG LINK

FIG.206



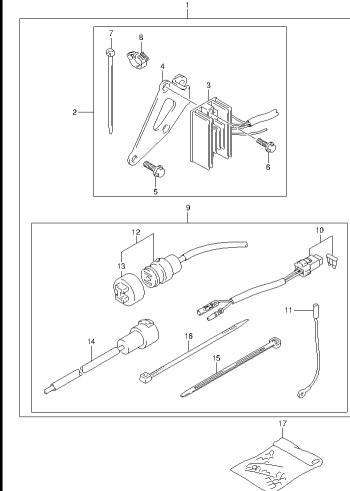
DF20A\_F01\_014\_206  
DRAG LINK

FIG.207



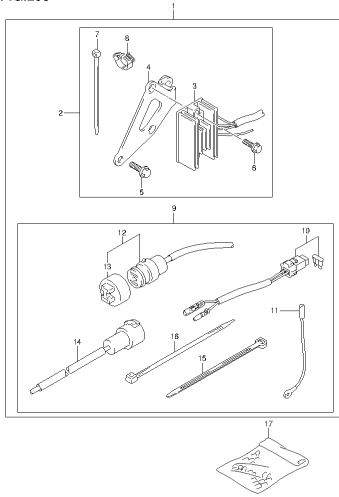
DF20A\_F01\_014\_207  
OPT.FUEL TANK

FIG.208



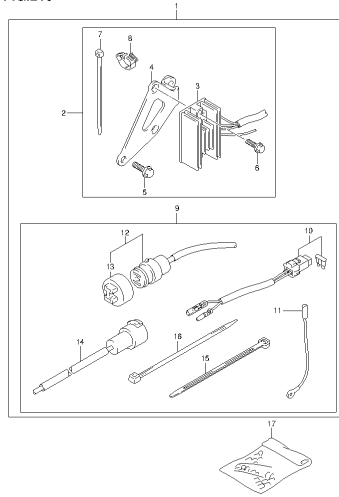
DF20A\_F01\_014\_208  
OPT.ELECTRICAL (MANUAL STARTER)

FIG.209



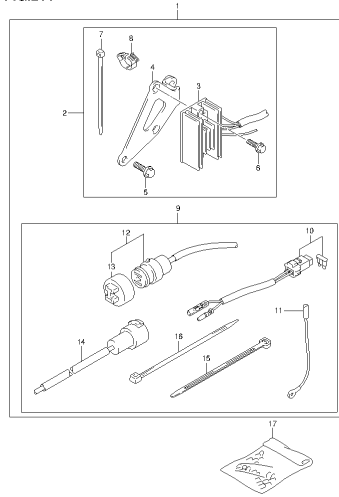
DF20A\_F01\_014\_209  
OPT ELECTRICAL (MANUAL STARTER)

FIG.210



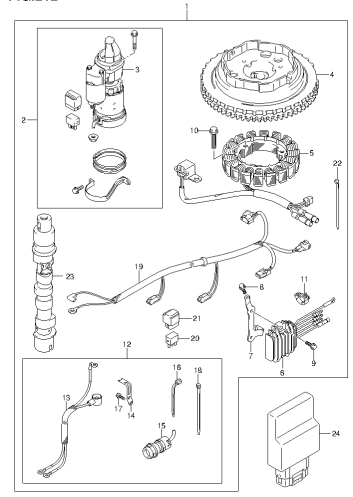
DF20A\_F01\_014\_210  
OPT ELECTRICAL (MANUAL STARTER)

FIG.211



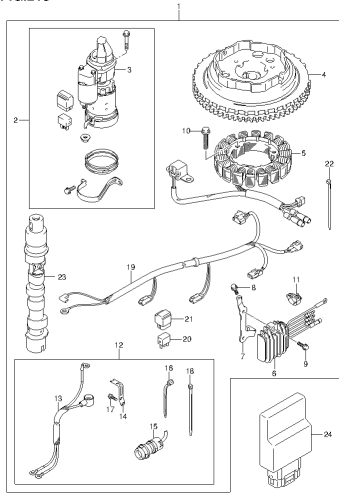
DF20A\_F01\_014\_211  
OPT ELECTRICAL (MANUAL STARTER)

FIG.212



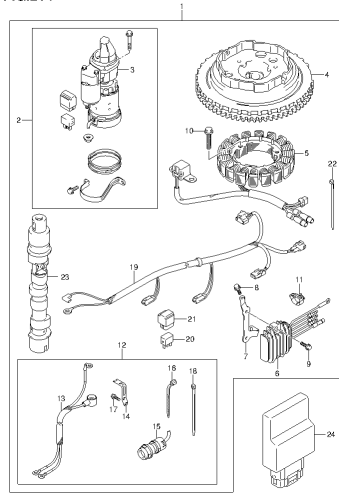
DF20A\_F01\_014\_212  
OPT STARTING MOTOR (MANUAL STARTER)

FIG.213



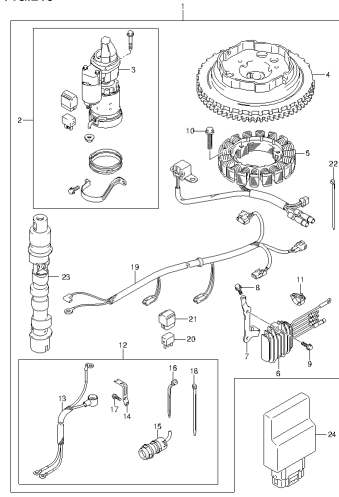
DF20A\_F01\_014\_213  
OPT STARTING MOTOR (MANUAL STARTER)

FIG.214



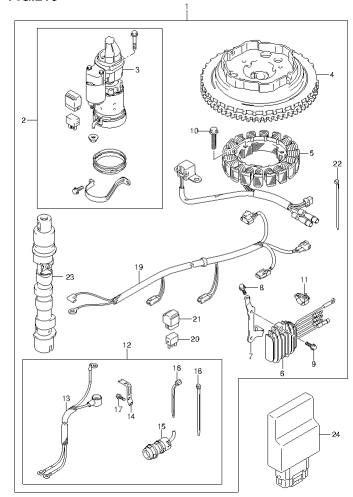
DF20A\_F01\_014\_214  
OPT STARTING MOTOR (MANUAL STARTER)

FIG.215

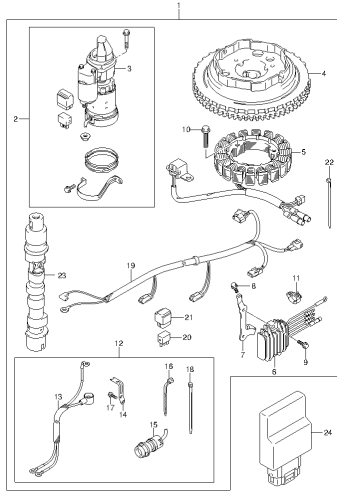
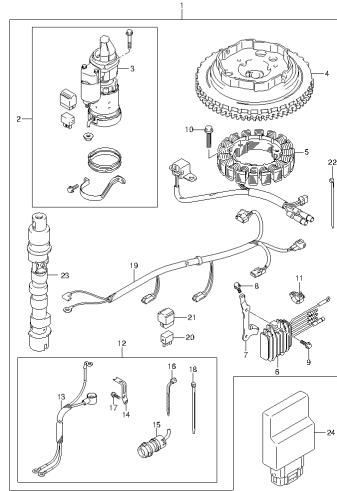
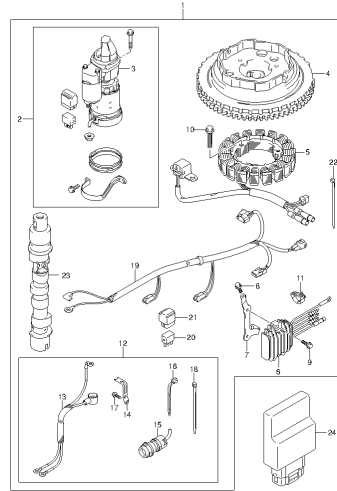
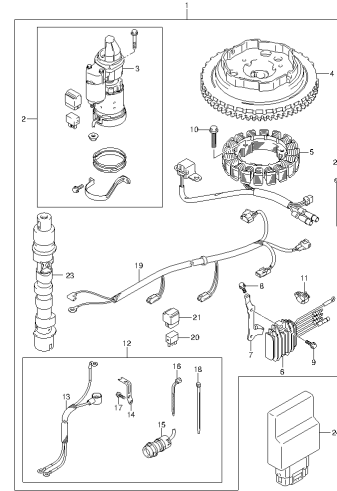
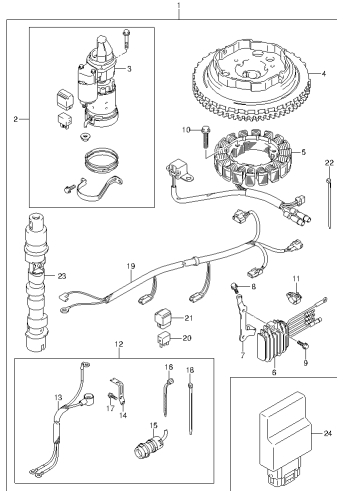
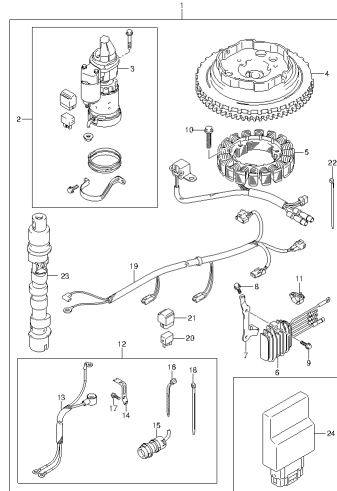
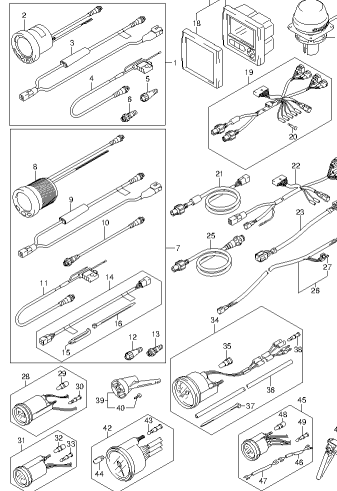
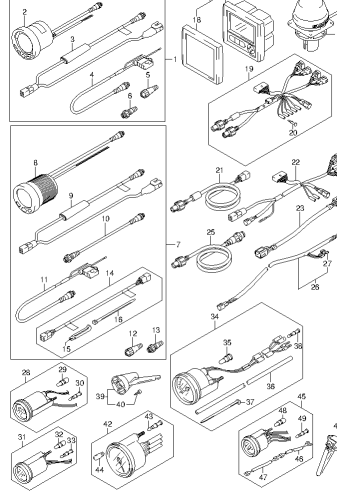


DF20A\_F01\_014\_215  
OPT STARTING MOTOR (MANUAL STARTER)

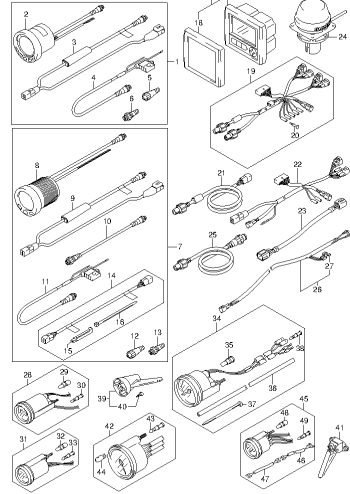
FIG.216



DF20A\_F01\_014\_216  
OPT STARTING MOTOR (MANUAL STARTER)

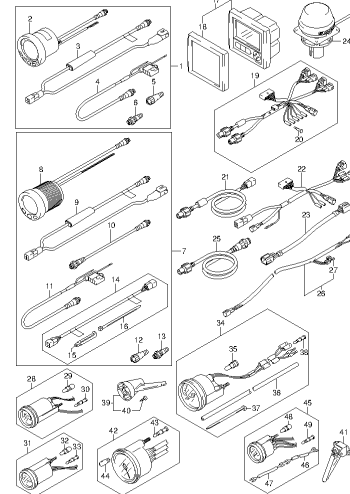
**FIG.217**DF20A\_F01\_014\_217  
OPT. STARTING MOTOR (MANUAL STARTER)**FIG.218**DF20A\_F01\_014\_218  
OPT. STARTING MOTOR (MANUAL STARTER)**FIG.219**DF20A\_F01\_014\_219  
OPT. STARTING MOTOR (MANUAL STARTER)**FIG.220**DF20A\_F01\_014\_220  
OPT. STARTING MOTOR (MANUAL STARTER)**FIG.221**DF20A\_F01\_014\_221  
OPT. STARTING MOTOR (MANUAL STARTER)**FIG.222**DF20A\_F01\_014\_222  
OPT. STARTING MOTOR (MANUAL STARTER)**FIG.223**DF20A\_F01\_014\_223  
OPT. METER**FIG.224**DF20A\_F01\_014\_224  
OPT. METER

**FIG.225**



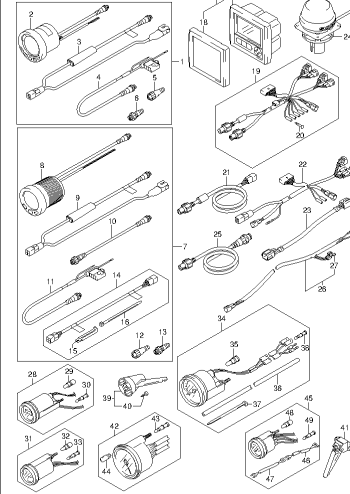
DF20A\_F01\_014\_225  
OPT.METER

**FIG.226**



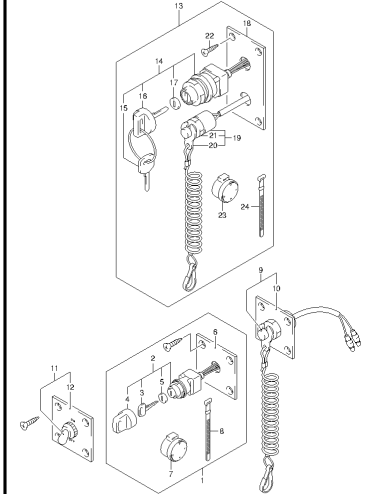
DF20A\_F01\_014\_226  
OPT.METER

**FIG.227**



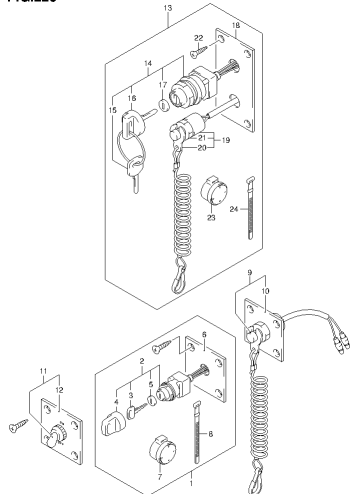
DF20A\_F01\_014\_227  
OPT.METER

**FIG.228**



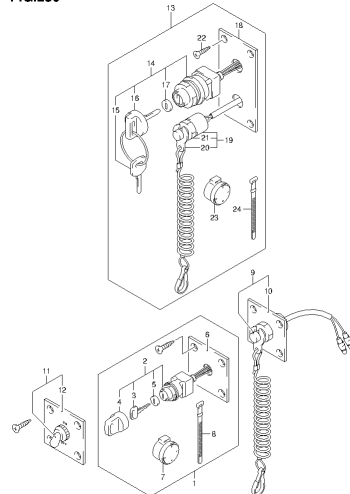
DF20A\_F01\_014\_228  
OPT.SWITCH

**FIG.229**



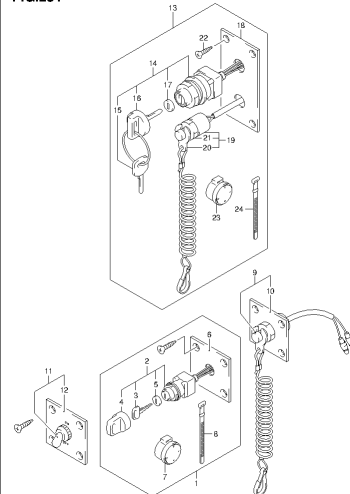
DF20A\_F01\_014\_229  
OPT.SWITCH

**FIG.230**



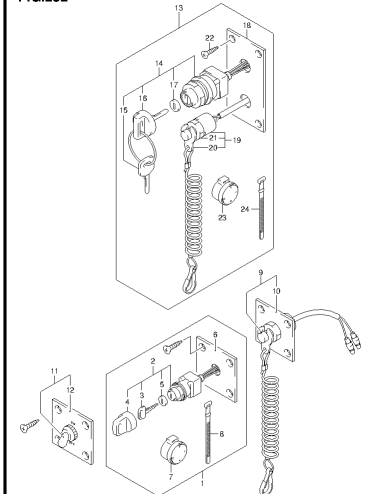
DF20A\_F01\_014\_230  
OPT.SWITCH

**FIG.231**



DF20A\_F01\_014\_231  
OPT.SWITCH

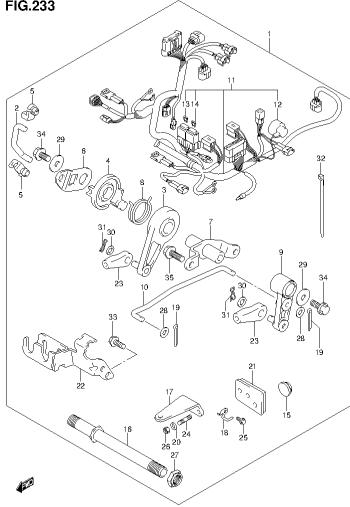
**FIG.232**



DF20A\_F01\_014\_232  
OPT.SWITCH

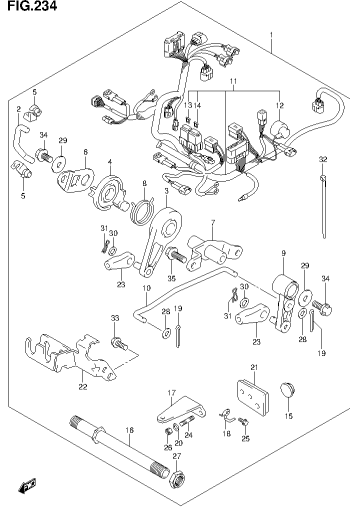


FIG.233



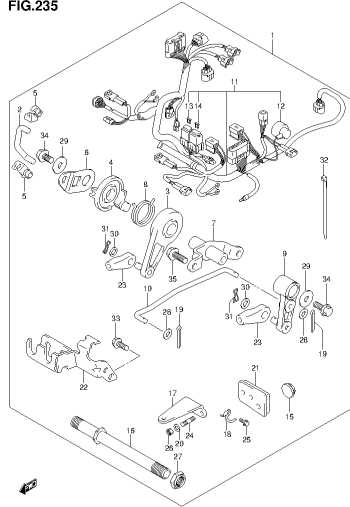
DF20A\_F01\_014\_233  
OPT.REMOTE CONTROL PARTS

FIG.234



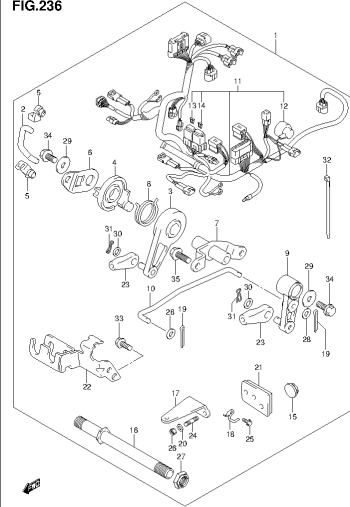
DF20A\_F01\_014\_234  
OPT.REMOTE CONTROL PARTS

FIG.235



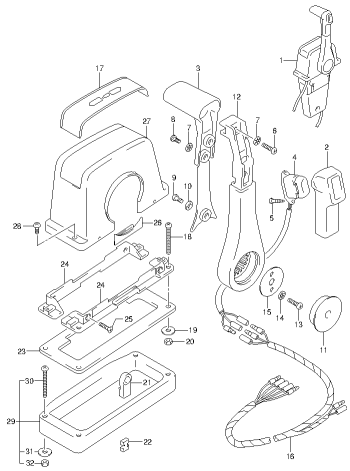
DF20A\_F01\_014\_235  
OPT.REMOTE CONTROL PARTS

FIG.236



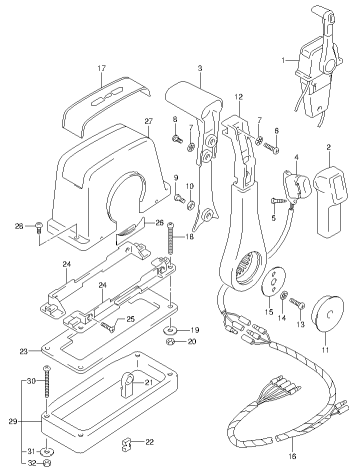
DF20A\_F01\_014\_236  
OPT.REMOTE CONTROL PARTS

FIG.237



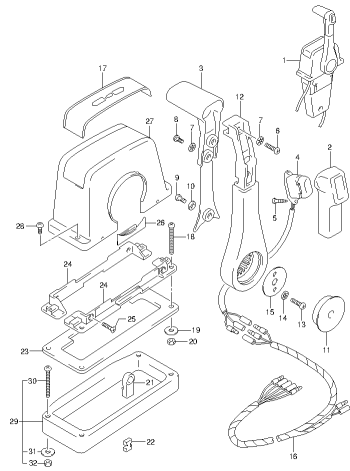
DF20A\_F01\_014\_237  
OPT.REMOTE CONTROL ASSY SINGLE (1)

FIG.238



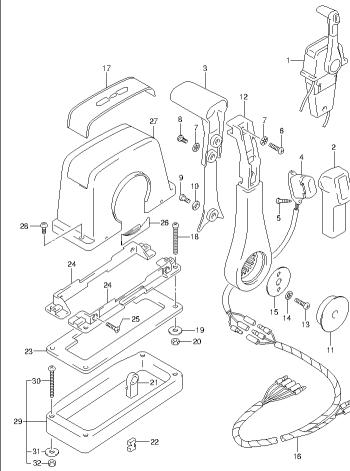
DF20A\_F01\_014\_238  
OPT.REMOTE CONTROL ASSY SINGLE (1)

FIG.239



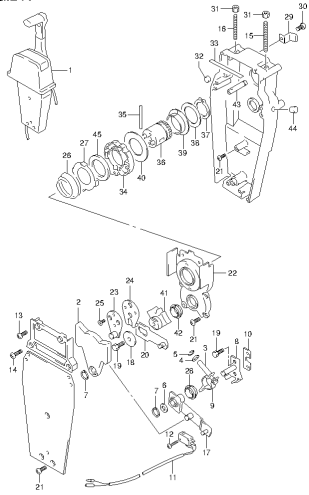
DF20A\_F01\_014\_239  
OPT.REMOTE CONTROL ASSY SINGLE (1)

FIG.240



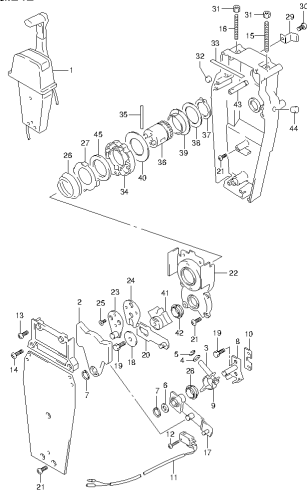
DF20A\_F01\_014\_240  
OPT.REMOTE CONTROL ASSY SINGLE (1)

FIG.241



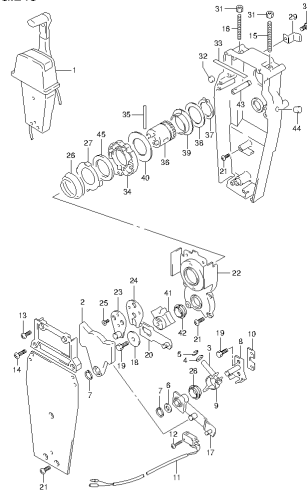
DF20A\_F01\_014\_241  
OPT.REMOTE CONTROL ASSY SINGLE (2)

FIG.242



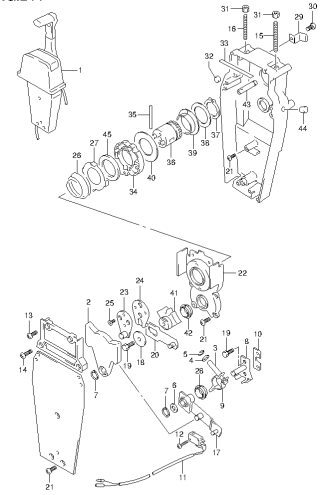
DF20A\_F01\_014\_242  
OPT.REMOTE CONTROL ASSY SINGLE (2)

FIG.243



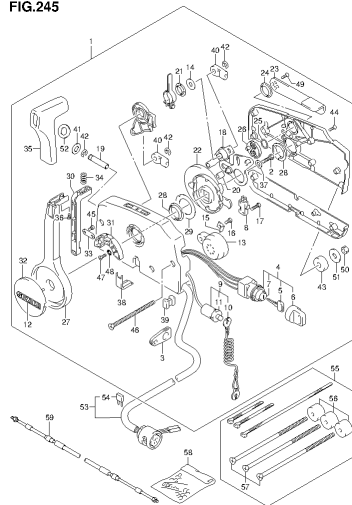
DF20A\_F01\_014\_243  
OPT.REMOTE CONTROL ASSY SINGLE (2)

FIG.244



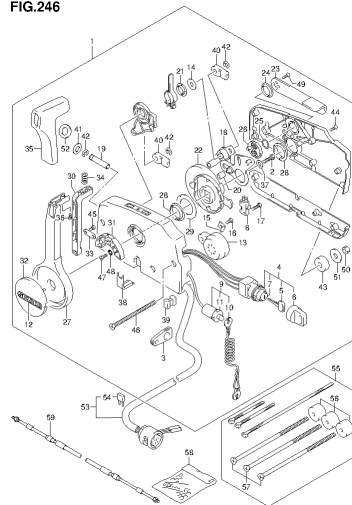
DF20A\_F01\_014\_244  
OPT.REMOTE CONTROL ASSY SINGLE (2)

FIG.245



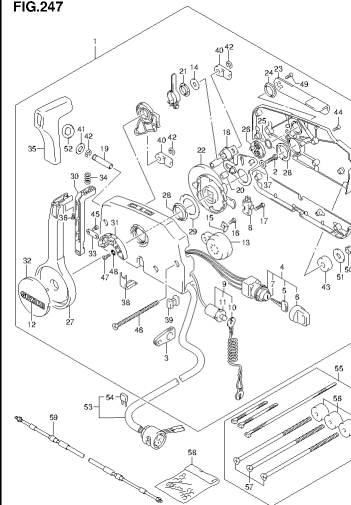
DF20A\_F01\_014\_245  
OPT.REMOTE CONTROL

FIG.246



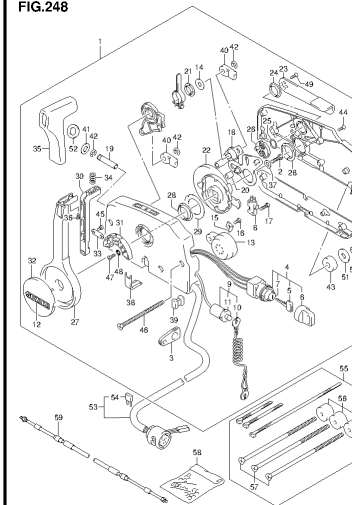
DF20A\_F01\_014\_246  
OPT.REMOTE CONTROL

FIG.247



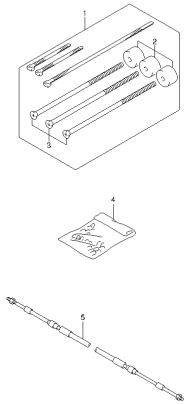
DF20A\_F01\_014\_247  
OPT.REMOTE CONTROL

FIG.248



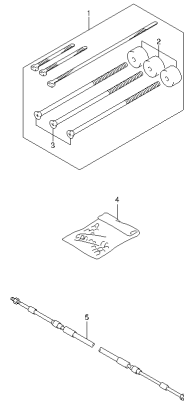
DF20A\_F01\_014\_248  
OPT.REMOTE CONTROL

FIG.249



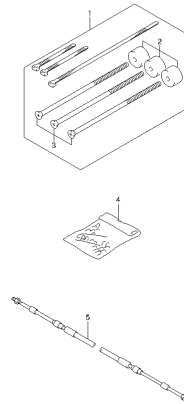
DF20A\_F01\_014\_249  
OPT.REMOCÓN CABLE

FIG.250



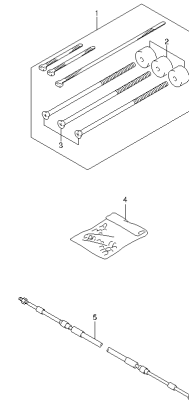
DF20A\_F01\_014\_250  
OPT.REMOCÓN CABLE

FIG.251



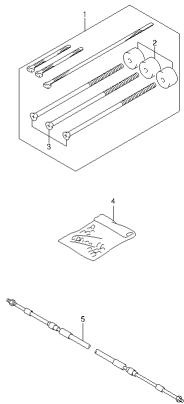
DF20A\_F01\_014\_251  
OPT.REMOCÓN CABLE

FIG.252



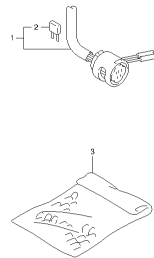
DF20A\_F01\_014\_252  
OPT.REMOCÓN CABLE

FIG.253



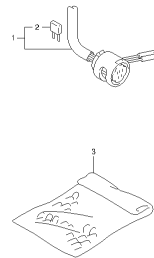
DF20A\_F01\_014\_253  
OPT.REMOCÓN CABLE

FIG.254



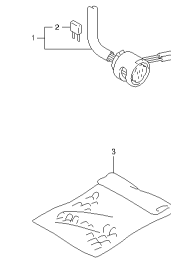
DF20A\_F01\_014\_254  
OPT.REMOCÓN CABLE (ELECTRIC STARTER)

FIG.255



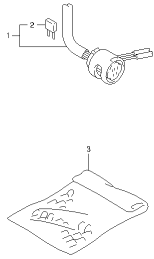
DF20A\_F01\_014\_255  
OPT.REMOCÓN CABLE (ELECTRIC STARTER)

FIG.256



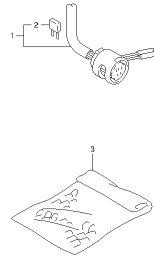
DF20A\_F01\_014\_256  
OPT.REMOCÓN CABLE (ELECTRIC STARTER)

FIG.257



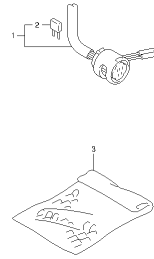
DF20A\_F01\_014\_257  
OPT. REMOCON. CABLE (ELECTRIC STARTER)

FIG.258



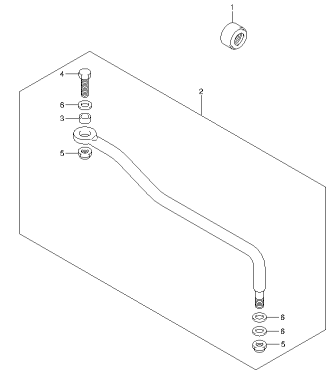
DF20A\_F01\_014\_258  
OPT. REMOCON. CABLE (ELECTRIC STARTER)

FIG.259



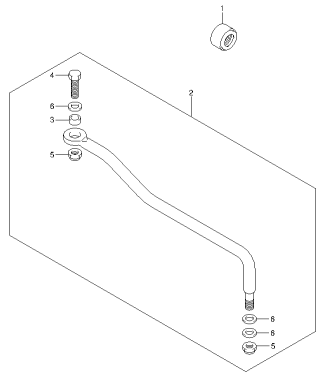
DF20A\_F01\_014\_259  
OPT. REMOCON. CABLE (ELECTRIC STARTER)

FIG.260



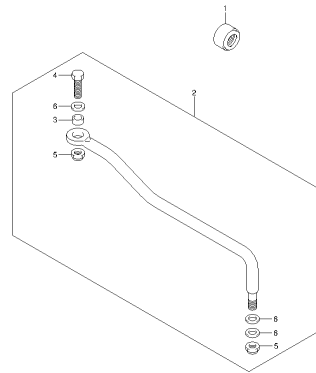
DF20A\_F01\_014\_260  
OPT. DRAG LINK

FIG.261



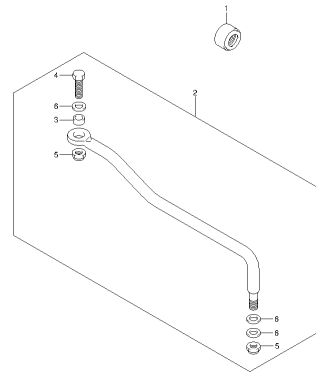
DF20A\_F01\_014\_261  
OPT. DRAG LINK

FIG.262



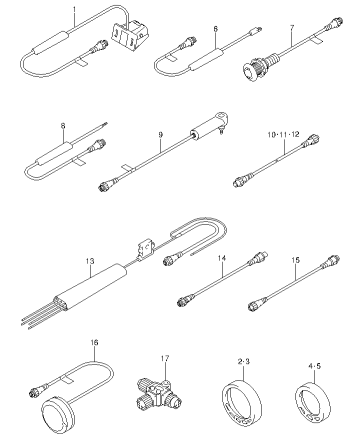
DF20A\_F01\_014\_262  
OPT. DRAG LINK

FIG.263



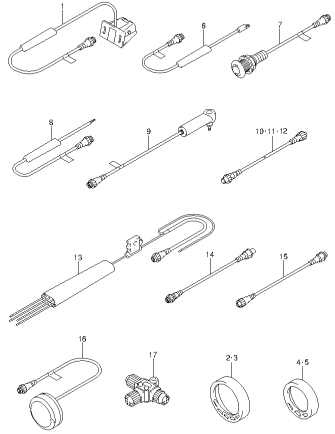
DF20A\_F01\_014\_263  
OPT. DRAG LINK

FIG.264



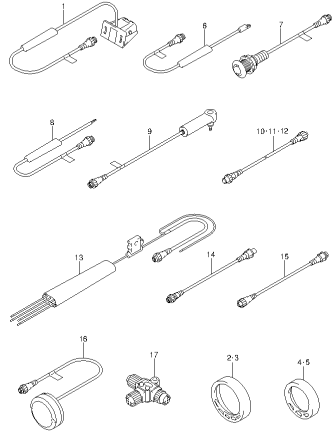
DF20A\_F01\_014\_264  
OPT. LOWRANCE GAUGE

FIG.265



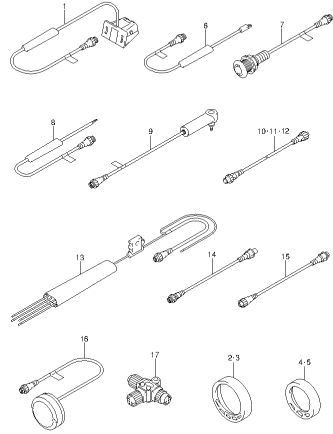
DF20A\_F01\_014\_265  
OFF FLOWRANCE GAUGE

FIG.266



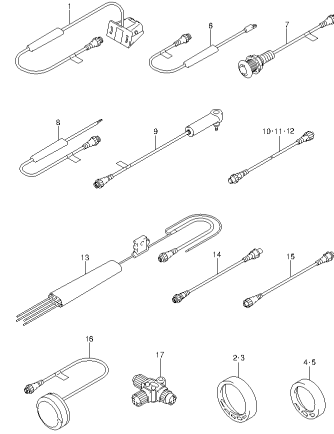
DF20A\_F01\_014\_266  
OFF FLOWRANCE GAUGE

FIG.267



DF20A\_F01\_014\_267  
OFF FLOWRANCE GAUGE

FIG.268



DF20A\_F01\_014\_268  
OFF FLOWRANCE GAUGE

FIG.1

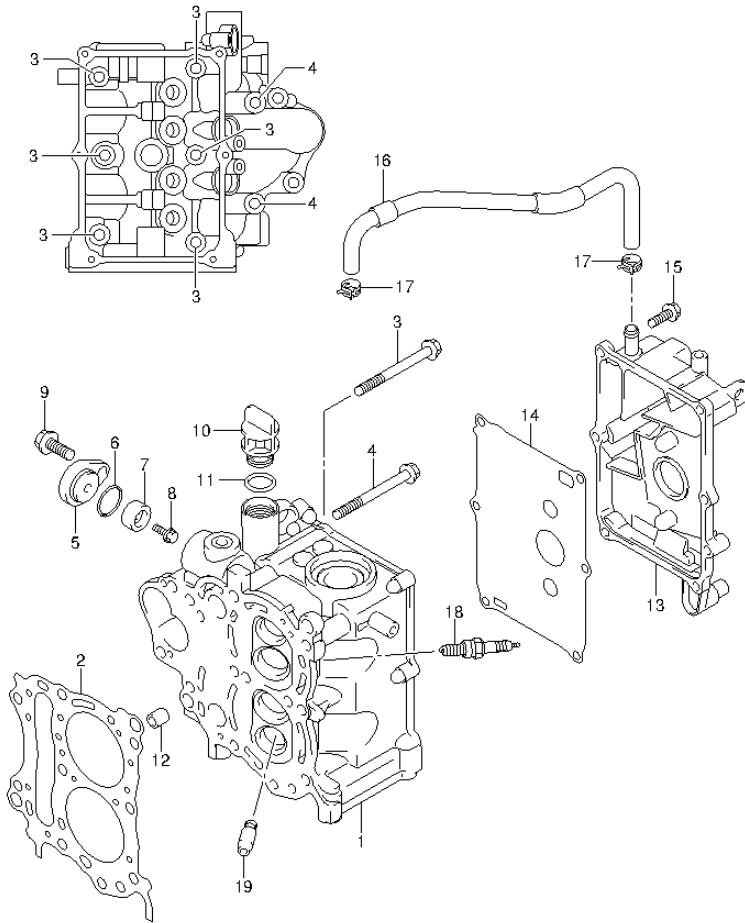


FIG.1 (1-B-2) CYLINDER HEAD

REF NO.	PART NO.	DESCRIPTION	Q'TY	REMARKS
1	11110-89L01	HEAD, CYLINDER	1	
2	11141-89L00	GASKET, CYLINDER HEAD	1	
3	09119-08L02	BOLT (8X72)	6	
4	09119-08L01	BOLT (8X77)	2	
5	11261-93J00	COVER, PROTECTION ANODE	1	
6	09280-22019	O RING (D:1.9,ID:21.8)	1	
7	55321-87J00	ANODE, PROTECTION	1	
8	09103-06281	BOLT (6X14)	1	
9	01550-08207	BOLT	1	
10	11382-93E00	CAP, OIL FILLER	1	
11	09280-17003	O RING (D:3.1,ID:16.8)	1	
12	04211-11129	PIN	2	
13	11170-89L00	COVER, CYLINDER HEAD	1	
14	11162-89L00	GASKET, CYLINDER HEAD COVER	1	
15	01550-06207	BOLT	6	
16	11174-89L00	HOSE, BREATHER	1	
17	09401-12413	CLIP	2	
18	09482-00L04	SPARK PLUG (CPR6EA-9)	2	NGK
19	11115-93E00-001	GUIDE, VALVE (OS:0.3)	4	OPT



FIG.2

FIG.2 (1-B-3) CYLINDER BLOCK

REF NO.	PART NO.	DESCRIPTION	Q'TY	REMARKS
1	11300-89L01	BLOCK ASSY, CYLINDER	1	
2	01550-06357	.BOLT	6	
3	01560-08757	.BOLT	4	
4	04211-11129	.PIN	2	
5	16440-11D00	REGULATOR ASSY, ENGINE	1	
6	11291-91B50	HOOK, ENGINE	1	OPT
7	01550-08207	BOLT	1	OPT

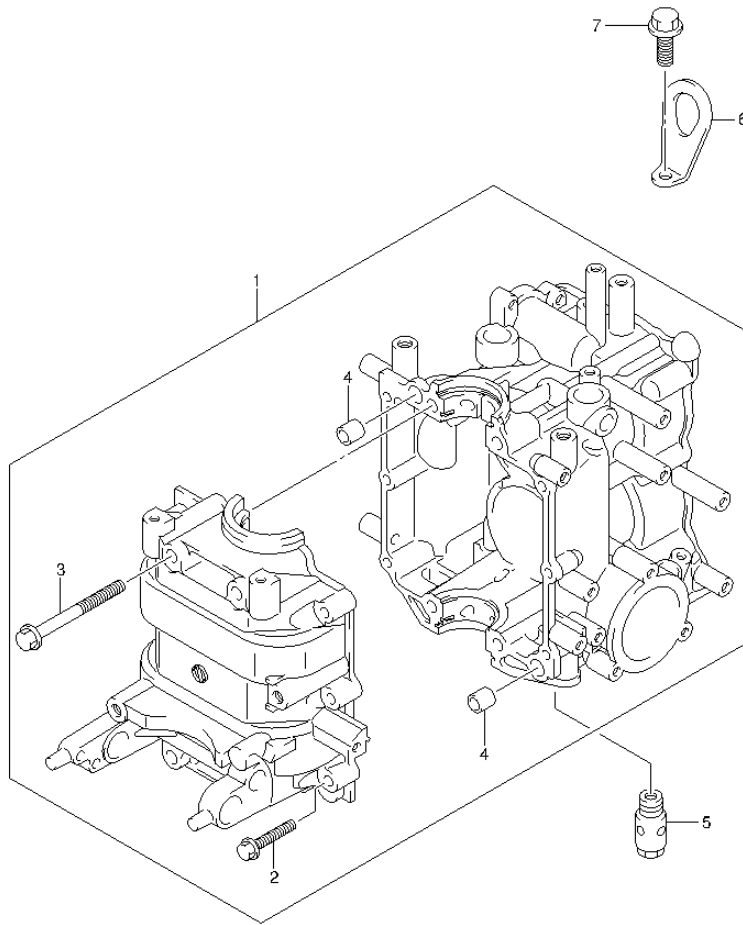


FIG.3

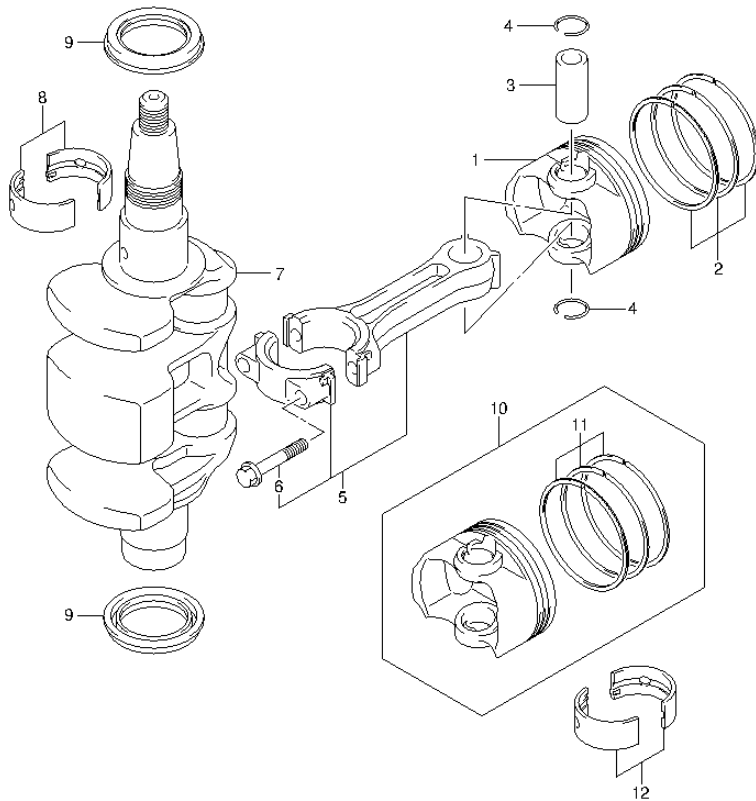


FIG.3 (1-B-4) CRANKSHAFT

REF NO.	PART NO.	DESCRIPTION	Q'TY	REMARKS
1	12111-89L00-0B0	PISTON	2	
2	12140-89L00	RING SET, PISTON	2	
3	12151-89L00	PIN, PISTON	2	
4	09381-16001	CIRCLIP	4	
5	12160-89L00	CONNROD ASSY	2	
6	12163-89L00	.BOLT, CONNROD	4	
7	12220-89L00	CRANKSHAFT	1	
8	12229-33C00-0A0	BEARING, CRANKSHAFT	4	
9	09283-32039	OIL SEAL (32X44X6.5)	2	
10	12100-89L00-050	PISTON SET (OS:0.50)	2	OPT
11	12140-89L00-050	.RING SET, PISTON	2	OPT
12	12229-33C00-0D0	BEARING, CRANKSHAFT	4	OPT





FIG.4

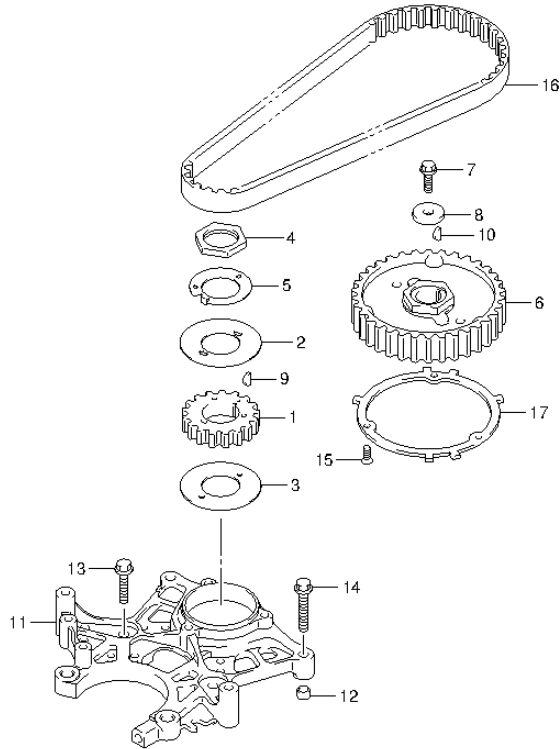


FIG.4 (1-B-5) TIMING BELT

REF NO.	PART NO.	DESCRIPTION	Q'TY	REMARKS
1	12631-89L10	PULLEY, CRANKSHAFT (NT:17)	1	
2	12635-89L00	GUIDE, TIMING BELT	1	
3	12636-89L00	GUIDE, TIMING BELT (LOWER)	1	
4	12637-89L00	NUT, TIMING PULLEY	1	
5	12638-89L00	WASHER, PULLEY NUT LOCK	1	
6	12741-89L00	PULLEY, CAMSHAFT (NT:34)	1	
7	09103-06267	BOLT (6X18)	1	
8	09160-06171	WASHER	1	
9	08341-31039	KEY	1	
10	08341-31039	KEY	1	
11	12625-89L01	BASE, STATOR	1	
12	04211-09149	PIN	2	
13	01550-06257	BOLT	2	
14	01550-06357	BOLT	2	
15	02122-04127	SCREW	3	
16	12761-93E0	BELT, TIMING	1	
17	12744-89L00	PLATE, SENSING	1	



FIG.5

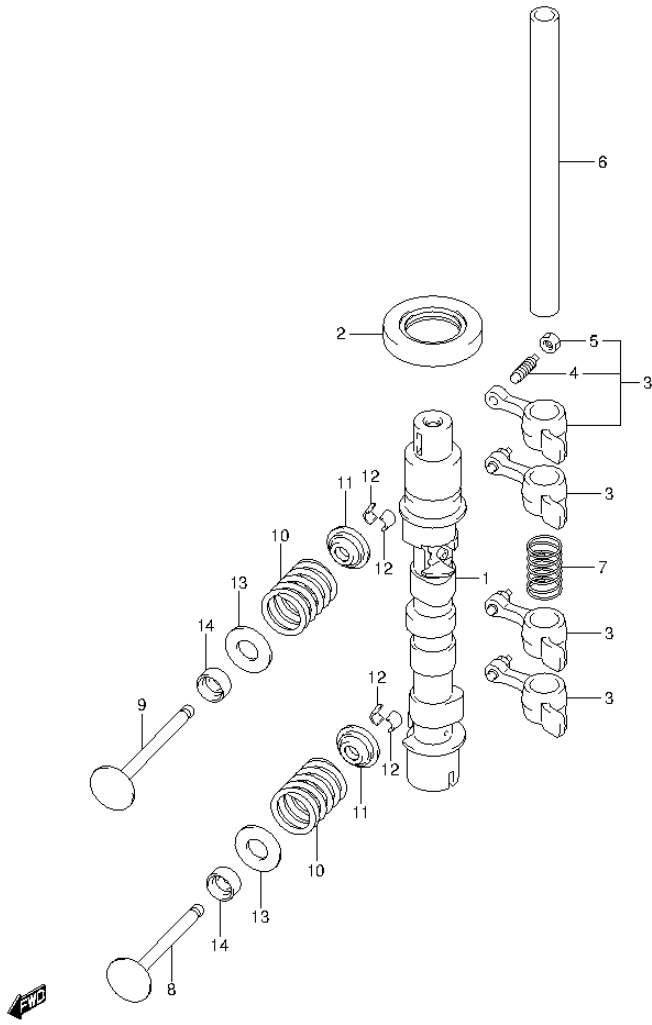


FIG.5 (1-B-6) CAMSHAFT (DF9.9B P01)

REF NO.	PART NO.	DESCRIPTION	Q'TY	REMARKS
1-1	12700-89L00	CAMSHAFT ASSY	1	W/MANUAL STARTER
1-2	12700-89L20	CAMSHAFT ASSY	1	W/ELECTRIC STARTER
2	09283-25096	OIL SEAL (25X44X7)	1	
3	12840-89L00	ARM, ROCKER	4	
4	12842-49201	.SCREW, TAPPET ADJUSTING	4	
5	12843-27A00	.NUT, TAPPET ADJUSTING	4	
6	12861-89L00	SHAFT, ROCKER ARM	1	
7	12891-94J00	SPRING, ROCKER SHAFT	1	
8	12911-93E00	VALVE, INTAKE	2	
9	12915-93E00	VALVE, EXHAUST	2	
10	12921-89L00	SPRING, VALVE	4	
11	12931-78G00	RETAINER, VALVE SPRING	4	
12	12932-24400	COTTER, VALVE	8	
13	12933-71C00	SEAT, VALVE SPRING	4	
14	09289-05012	OIL SEAL (5.5X11.5X9.3)	4	

FIG.6

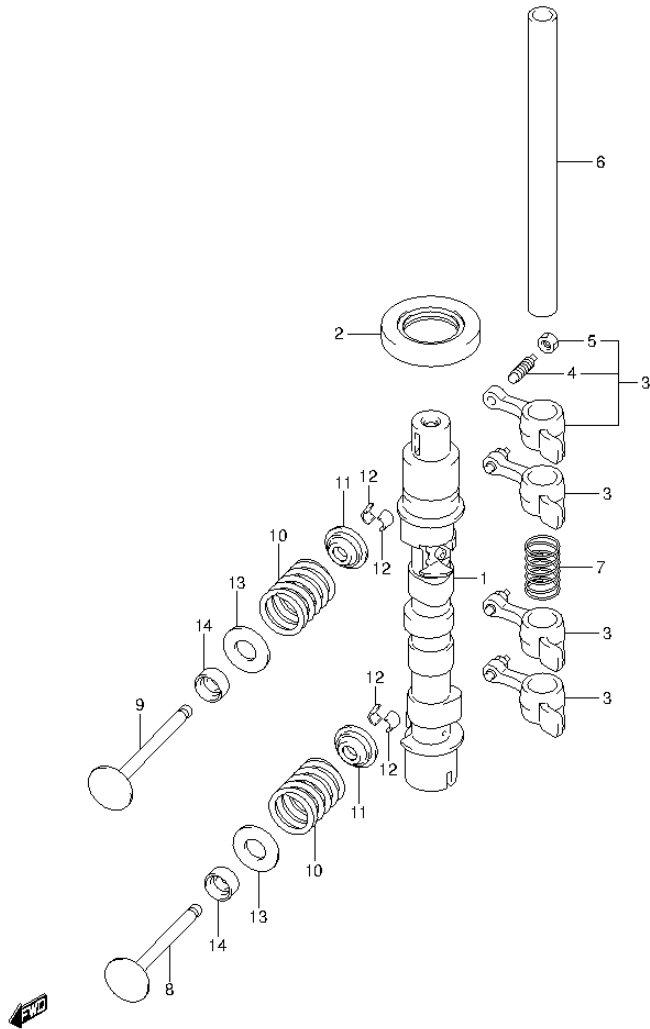


FIG.6 (1-B-7) CAMSHAFT (DF9.9BR P01)

REF NO.	PART NO.	DESCRIPTION	Q'TY	REMARKS
1	12700-89L20	CAMSHAFT ASSY	1	
2	09283-25096	OIL SEAL (25X44X7)	1	
3	12840-89L00	ARM, ROCKER	4	
4	12842-49201	.SCREW, TAPPET ADJUSTING	4	
5	12843-27A00	.NUT, TAPPET ADJUSTING	4	
6	12861-89L00	SHAFT, ROCKER ARM	1	
7	12891-94J00	SPRING, ROCKER SHAFT	1	
8	12911-93E00	VALVE, INTAKE	2	
9	12915-93E00	VALVE, EXHAUST	2	
10	12921-89L00	SPRING, VALVE	4	
11	12931-78G00	RETAINER, VALVE SPRING	4	
12	12932-24400	COTTER, VALVE	8	
13	12933-71C00	SEAT, VALVE SPRING	4	
14	09289-05012	OIL SEAL (5.5X11.5X9.3)	4	

FIG.7

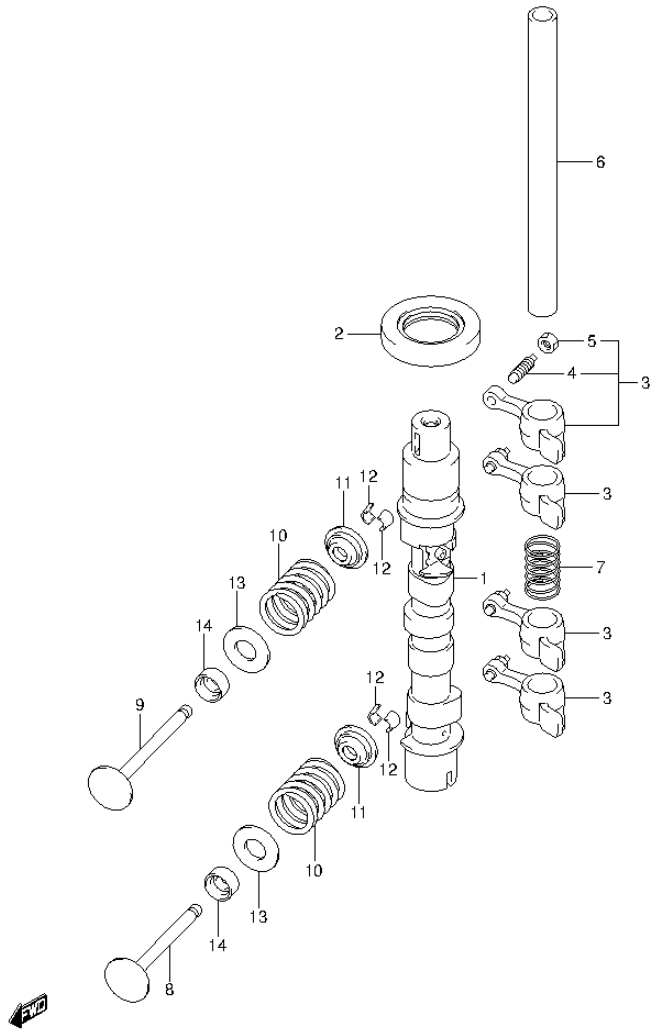


FIG.7 (1-B-8) CAMSHAFT (DF9.9BT P01)

REF NO.	PART NO.	DESCRIPTION	Q'TY	REMARKS
1	12700-89L20	CAMSHAFT ASSY	1	
2	09283-25096	OIL SEAL (25X44X7)	1	
3	12840-89L00	ARM, ROCKER	4	
4	12842-49201	.SCREW, TAPPET ADJUSTING	4	
5	12843-27A00	.NUT, TAPPET ADJUSTING	4	
6	12861-89L00	SHAFT, ROCKER ARM	1	
7	12891-94J00	SPRING, ROCKER SHAFT	1	
8	12911-93E00	VALVE, INTAKE	2	
9	12915-93E00	VALVE, EXHAUST	2	
10	12921-89L00	SPRING, VALVE	4	
11	12931-78G00	RETAINER, VALVE SPRING	4	
12	12932-24400	COTTER, VALVE	8	
13	12933-71C00	SEAT, VALVE SPRING	4	
14	09289-05012	OIL SEAL (5.5X11.5X9.3)	4	

FIG.8

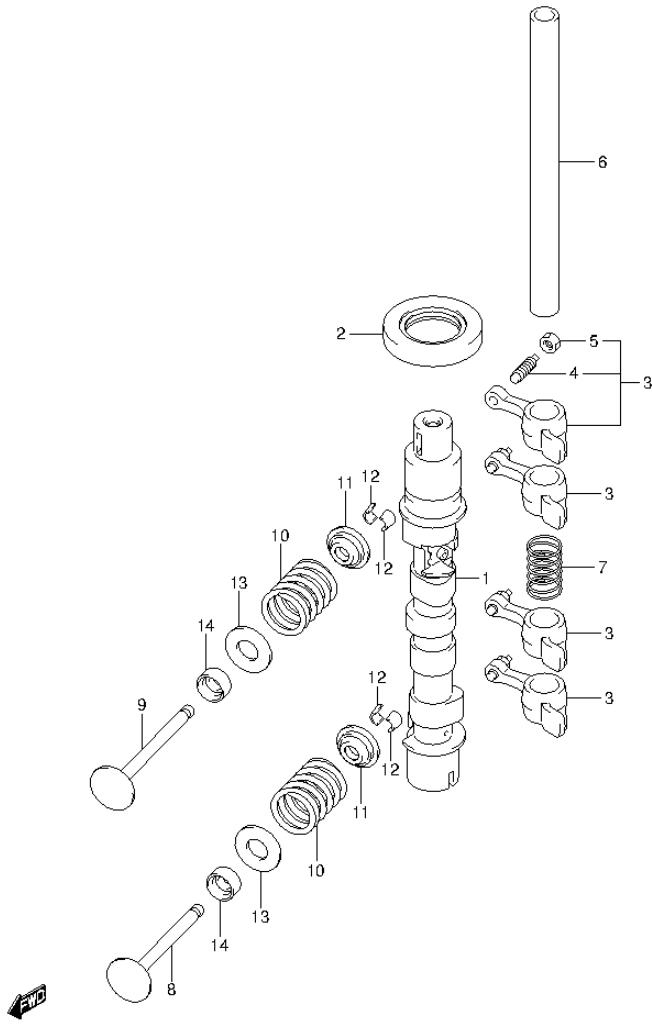


FIG.8 (1-B-9) CAMSHAFT (DF15A P01)

REF NO.	PART NO.	DESCRIPTION	Q'TY	REMARKS
1-1	12700-89L00	CAMSHAFT ASSY	1	W/MANUAL STARTER
1-2	12700-89L20	CAMSHAFT ASSY	1	W/ELECTRIC STARTER
2	09283-25096	OIL SEAL (25X44X7)	1	
3	12840-89L00	ARM, ROCKER	4	
4	12842-49201	.SCREW, TAPPET ADJUSTING	4	
5	12843-27A00	.NUT, TAPPET ADJUSTING	4	
6	12861-89L00	SHAFT, ROCKER ARM	1	
7	12891-94J00	SPRING, ROCKER SHAFT	1	
8	12911-93E00	VALVE, INTAKE	2	
9	12915-93E00	VALVE, EXHAUST	2	
10	12921-89L00	SPRING, VALVE	4	
11	12931-78G00	RETAINER, VALVE SPRING	4	
12	12932-24400	COTTER, VALVE	8	
13	12933-71C00	SEAT, VALVE SPRING	4	
14	09289-05012	OIL SEAL (5.5X11.5X9.3)	4	

FIG.9

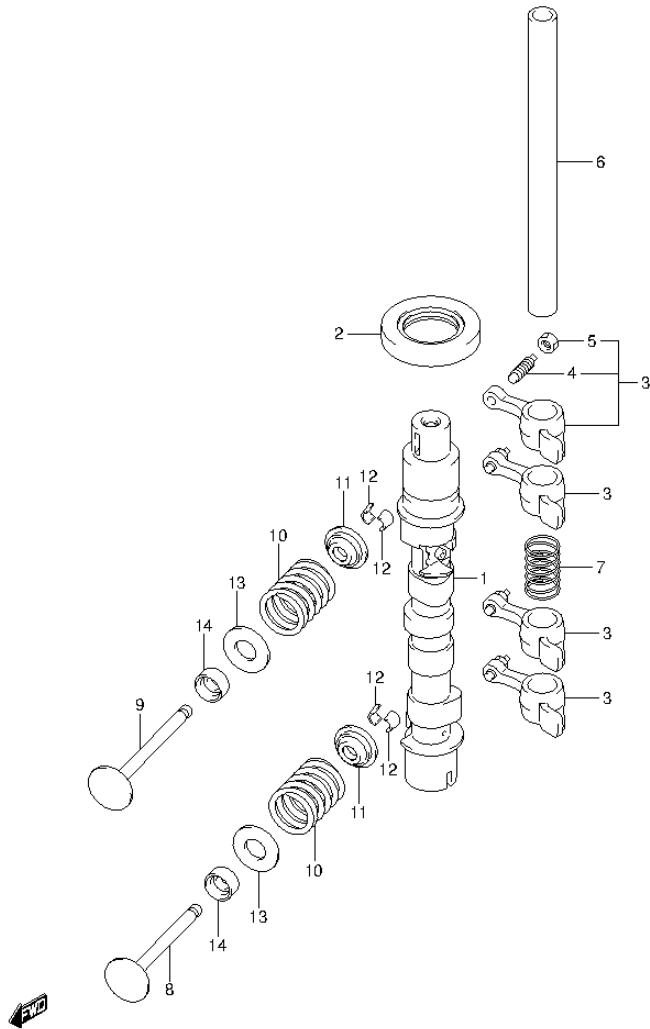


FIG.9 (1-B-10) CAMSHAFT (DF15AR P01)

REF NO.	PART NO.	DESCRIPTION	Q'TY	REMARKS
1	12700-89L20	CAMSHAFT ASSY	1	
2	09283-25096	OIL SEAL (25X44X7)	1	
3	12840-89L00	ARM, ROCKER	4	
4	12842-49201	.SCREW, TAPPET ADJUSTING	4	
5	12843-27A00	.NUT, TAPPET ADJUSTING	4	
6	12861-89L00	SHAFT, ROCKER ARM	1	
7	12891-94J00	SPRING, ROCKER SHAFT	1	
8	12911-93E00	VALVE, INTAKE	2	
9	12915-93E00	VALVE, EXHAUST	2	
10	12921-89L00	SPRING, VALVE	4	
11	12931-78G00	RETAINER, VALVE SPRING	4	
12	12932-24400	COTTER, VALVE	8	
13	12933-71C00	SEAT, VALVE SPRING	4	
14	09289-05012	OIL SEAL (5.5X11.5X9.3)	4	

FIG.10

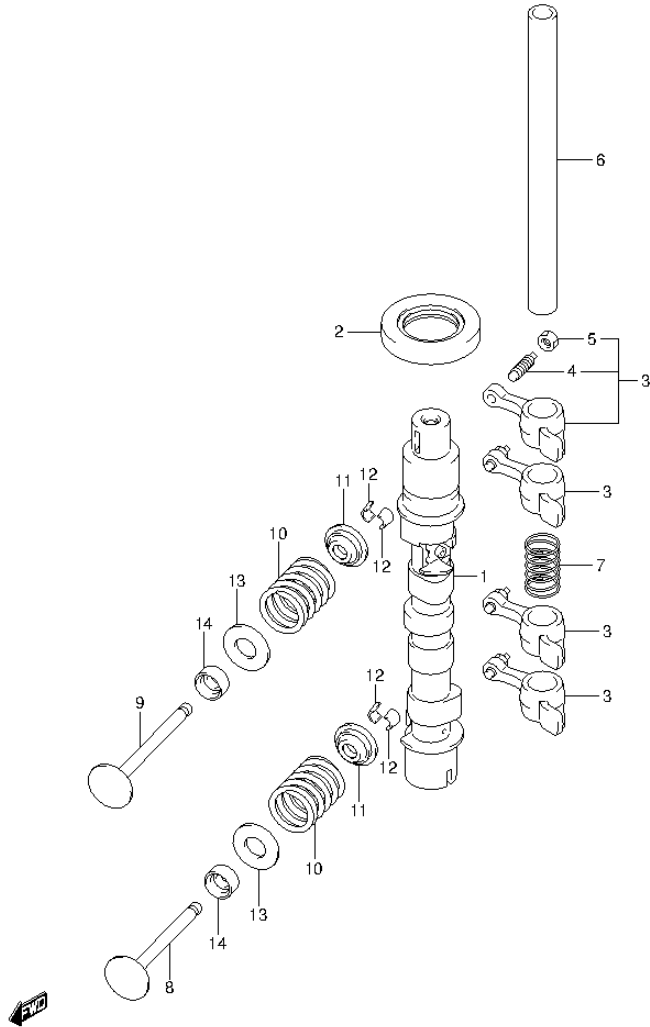


FIG.10 (1-B-11) CAMSHAFT (DF15ATH P01)

REF NO.	PART NO.	DESCRIPTION	Q'TY	REMARKS
1	12700-89L20	CAMSHAFT ASSY	1	
2	09283-25096	OIL SEAL (25X44X7)	1	
3	12840-89L00	ARM, ROCKER	4	
4	12842-49201	.SCREW, TAPPET ADJUSTING	4	
5	12843-27A00	.NUT, TAPPET ADJUSTING	4	
6	12861-89L00	SHAFT, ROCKER ARM	1	
7	12891-94J00	SPRING, ROCKER SHAFT	1	
8	12911-93E00	VALVE, INTAKE	2	
9	12915-93E00	VALVE, EXHAUST	2	
10	12921-89L00	SPRING, VALVE	4	
11	12931-78G00	RETAINER, VALVE SPRING	4	
12	12932-24400	COTTER, VALVE	8	
13	12933-71C00	SEAT, VALVE SPRING	4	
14	09289-05012	OIL SEAL (5.5X11.5X9.3)	4	

FIG.11

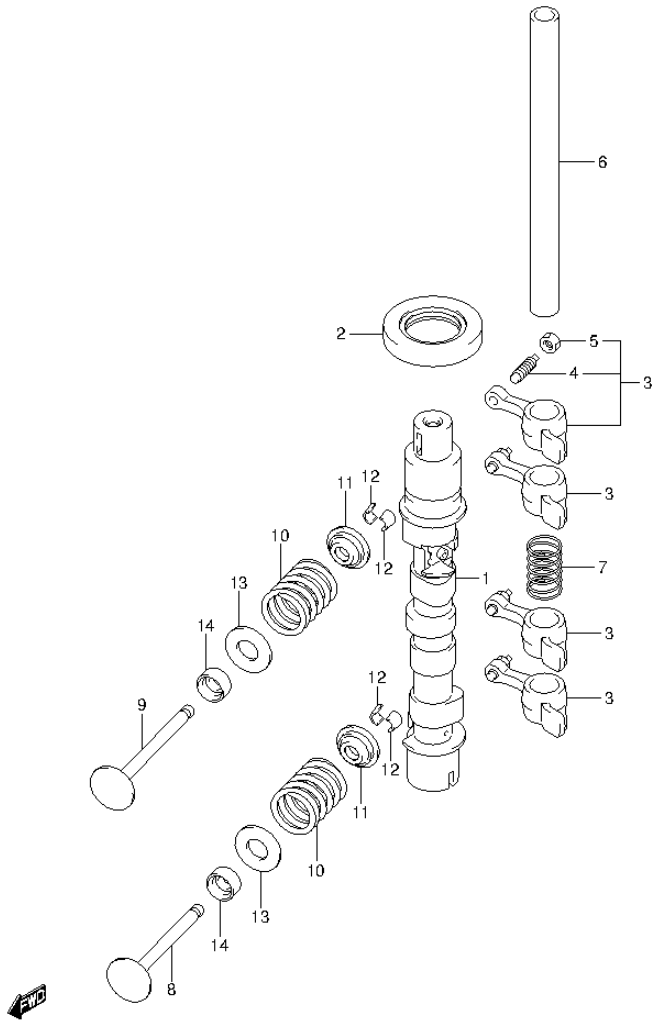


FIG.11 (1-B-12) CAMSHAFT (DF20A P01)

REF NO.	PART NO.	DESCRIPTION	Q'TY	REMARKS
1-1	12700-89L00	CAMSHAFT ASSY	1	W/MANUAL STARTER
1-2	12700-89L20	CAMSHAFT ASSY	1	W/ELECTRIC STARTER
2	09283-25096	OIL SEAL (25X44X7)	1	
3	12840-89L00	ARM, ROCKER	4	
4	12842-49201	.SCREW, TAPPET ADJUSTING	4	
5	12843-27A00	.NUT, TAPPET ADJUSTING	4	
6	12861-89L00	SHAFT, ROCKER ARM	1	
7	12891-94J00	SPRING, ROCKER SHAFT	1	
8	12911-93E00	VALVE, INTAKE	2	
9	12915-93E00	VALVE, EXHAUST	2	
10	12921-89L00	SPRING, VALVE	4	
11	12931-78G00	RETAINER, VALVE SPRING	4	
12	12932-24400	COTTER, VALVE	8	
13	12933-71C00	SEAT, VALVE SPRING	4	
14	09289-05012	OIL SEAL (5.5X11.5X9.3)	4	



FIG.12

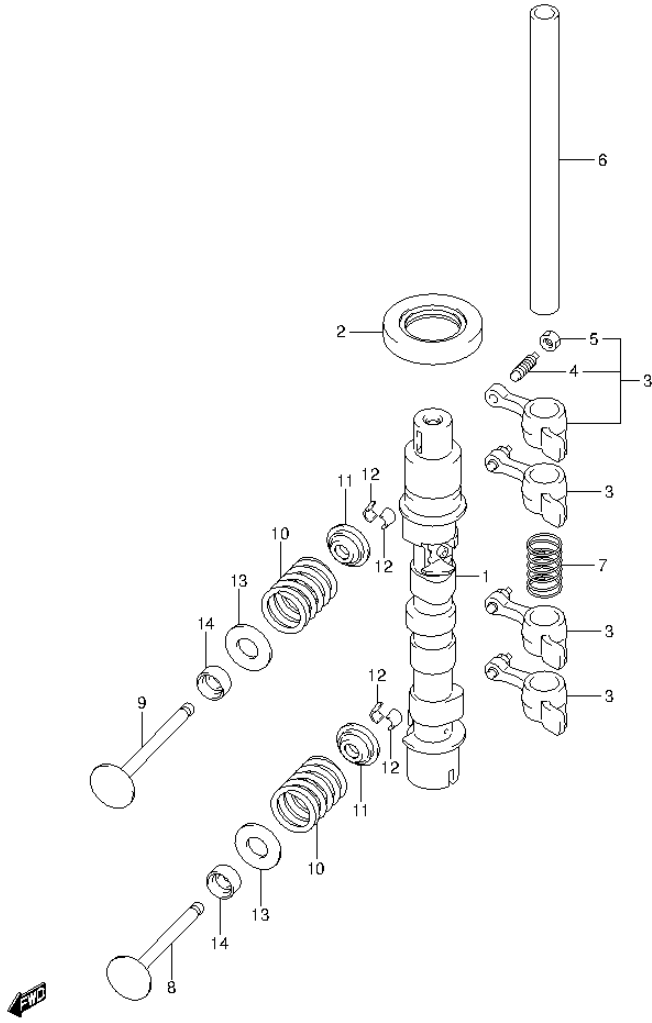


FIG.12 (1-B-13) CAMSHAFT (DF20A P40)

REF NO.	PART NO.	DESCRIPTION	Q'TY	REMARKS
1-1	12700-89L00	CAMSHAFT ASSY	1	W/MANUAL STARTER
1-2	12700-89L20	CAMSHAFT ASSY	1	W/ELECTRIC STARTER
2	09283-25096	OIL SEAL (25X44X7)	1	
3	12840-89L00	ARM, ROCKER	4	
4	12842-49201	.SCREW, TAPPET ADJUSTING	4	
5	12843-27A00	.NUT, TAPPET ADJUSTING	4	
6	12861-89L00	SHAFT, ROCKER ARM	1	
7	12891-94J00	SPRING, ROCKER SHAFT	1	
8	12911-93E00	VALVE, INTAKE	2	
9	12915-93E00	VALVE, EXHAUST	2	
10	12921-89L00	SPRING, VALVE	4	
11	12931-78G00	RETAINER, VALVE SPRING	4	
12	12932-24400	COTTER, VALVE	8	
13	12933-71C00	SEAT, VALVE SPRING	4	
14	09289-05012	OIL SEAL (5.5X11.5X9.3)	4	

FIG.13

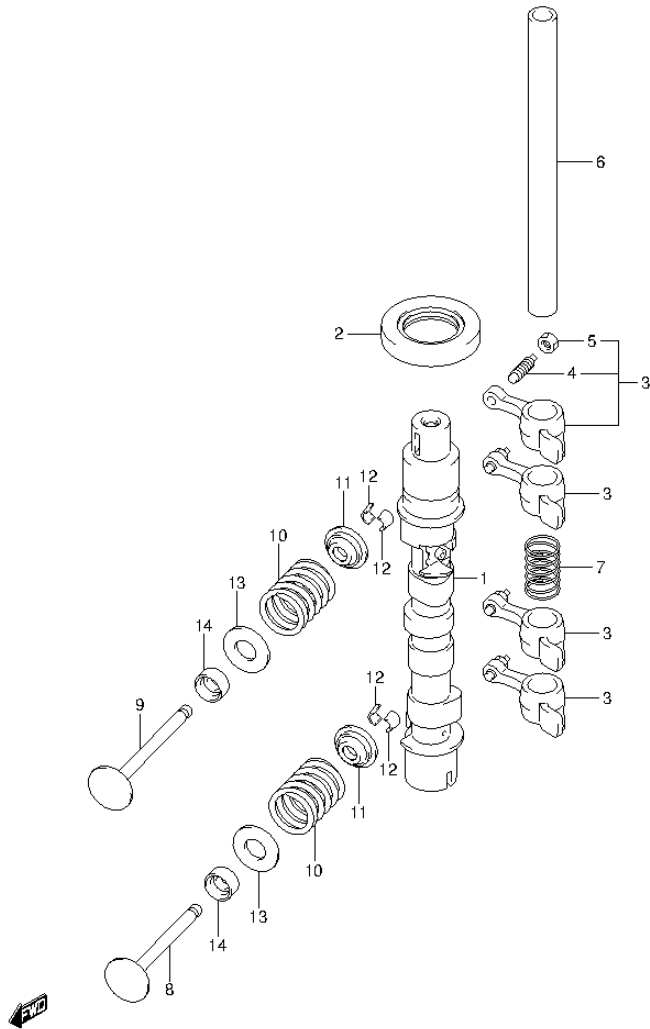


FIG.13 (1-B-14) CAMSHAFT (DF20AR P01)

REF NO.	PART NO.	DESCRIPTION	Q'TY	REMARKS
1	12700-89L20	CAMSHAFT ASSY	1	
2	09283-25096	OIL SEAL (25X44X7)	1	
3	12840-89L00	ARM, ROCKER	4	
4	12842-49201	.SCREW, TAPPET ADJUSTING	4	
5	12843-27A00	.NUT, TAPPET ADJUSTING	4	
6	12861-89L00	SHAFT, ROCKER ARM	1	
7	12891-94J00	SPRING, ROCKER SHAFT	1	
8	12911-93E00	VALVE, INTAKE	2	
9	12915-93E00	VALVE, EXHAUST	2	
10	12921-89L00	SPRING, VALVE	4	
11	12931-78G00	RETAINER, VALVE SPRING	4	
12	12932-24400	COTTER, VALVE	8	
13	12933-71C00	SEAT, VALVE SPRING	4	
14	09289-05012	OIL SEAL (5.5X11.5X9.3)	4	

FIG.14

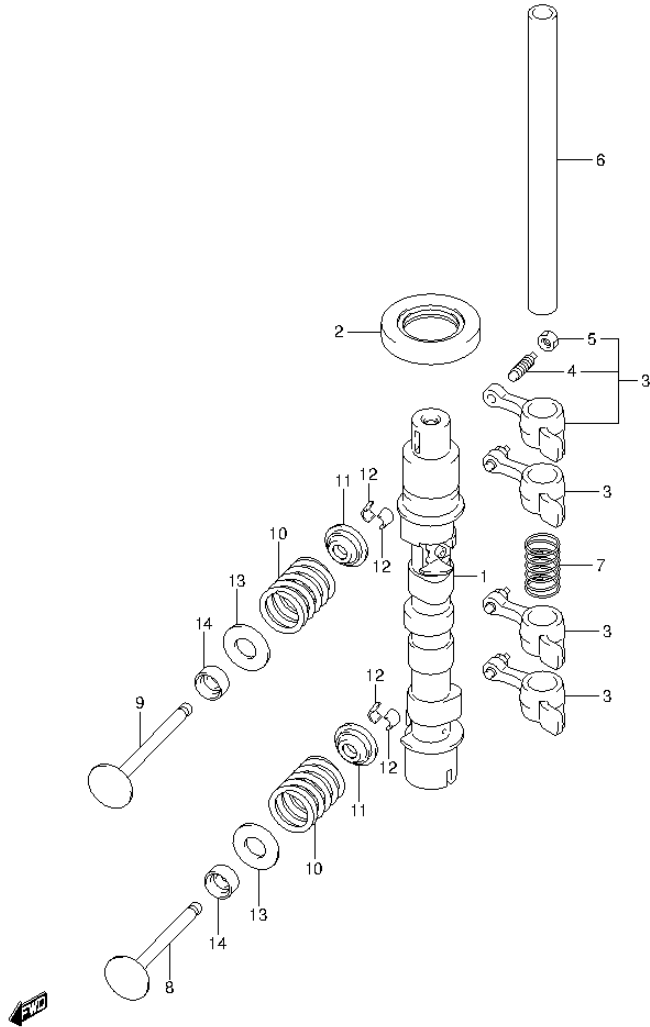


FIG.14 (1-B-15) CAMSHAFT (DF20AT P01)

REF NO.	PART NO.	DESCRIPTION	Q'TY	REMARKS
1	12700-89L20	CAMSHAFT ASSY	1	
2	09283-25096	OIL SEAL (25X44X7)	1	
3	12840-89L00	ARM, ROCKER	4	
4	12842-49201	.SCREW, TAPPET ADJUSTING	4	
5	12843-27A00	.NUT, TAPPET ADJUSTING	4	
6	12861-89L00	SHAFT, ROCKER ARM	1	
7	12891-94J00	SPRING, ROCKER SHAFT	1	
8	12911-93E00	VALVE, INTAKE	2	
9	12915-93E00	VALVE, EXHAUST	2	
10	12921-89L00	SPRING, VALVE	4	
11	12931-78G00	RETAINER, VALVE SPRING	4	
12	12932-24400	COTTER, VALVE	8	
13	12933-71C00	SEAT, VALVE SPRING	4	
14	09289-05012	OIL SEAL (5.5X11.5X9.3)	4	

FIG.15

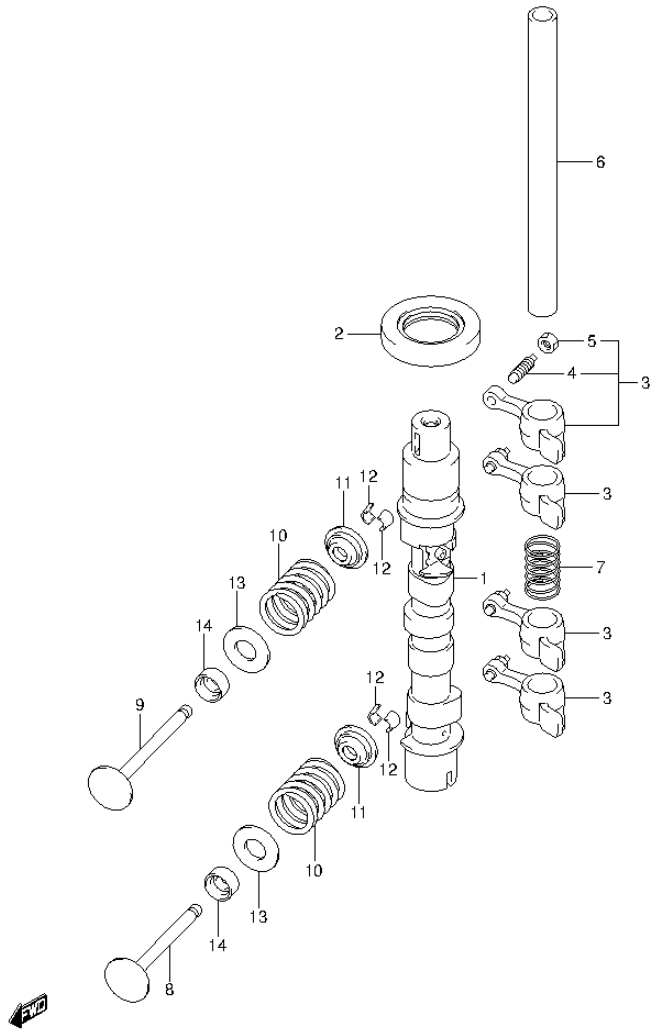


FIG.15 (1-C-2) CAMSHAFT (DF20ATH P01)

REF NO.	PART NO.	DESCRIPTION	Q'TY	REMARKS
1	12700-89L20	CAMSHAFT ASSY	1	
2	09283-25096	OIL SEAL (25X44X7)	1	
3	12840-89L00	ARM, ROCKER	4	
4	12842-49201	.SCREW, TAPPET ADJUSTING	4	
5	12843-27A00	.NUT, TAPPET ADJUSTING	4	
6	12861-89L00	SHAFT, ROCKER ARM	1	
7	12891-94J00	SPRING, ROCKER SHAFT	1	
8	12911-93E00	VALVE, INTAKE	2	
9	12915-93E00	VALVE, EXHAUST	2	
10	12921-89L00	SPRING, VALVE	4	
11	12931-78G00	RETAINER, VALVE SPRING	4	
12	12932-24400	COTTER, VALVE	8	
13	12933-71C00	SEAT, VALVE SPRING	4	
14	09289-05012	OIL SEAL (5.5X11.5X9.3)	4	

FIG.16

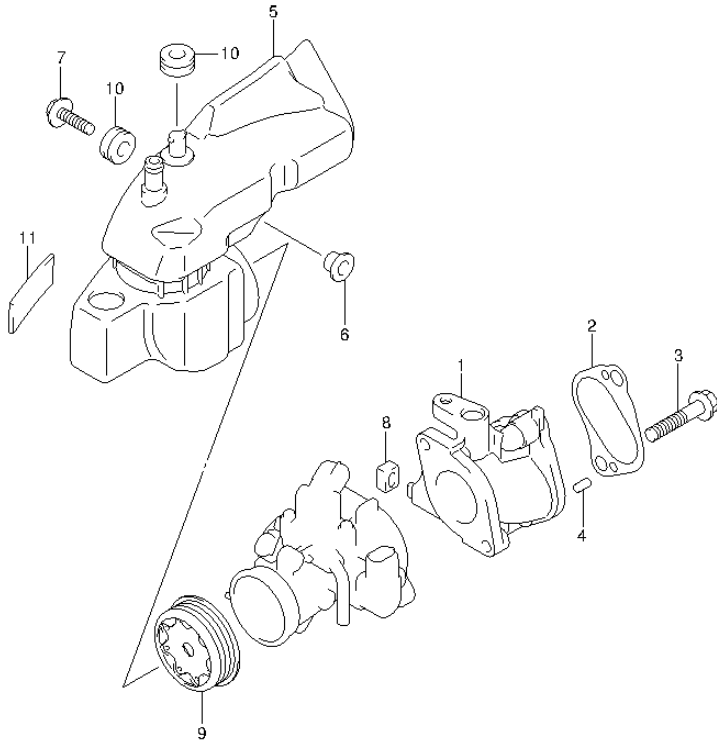


FIG.16 (1-C-3) INLET MANIFOLD (DF9.9B P01)

REF NO.	PART NO.	DESCRIPTION	Q'TY	REMARKS
1	13111-89L00	MANIFOLD, INLET	1	
2	13119-89L00	GASKET, INLET MANIFOLD	1	
3	01550-08407	BOLT	2	
4	04221-05109	PIN	2	
5	13811-89L00	SILENCER	1	
6	09169-06062	WASHER	1	
7	09116-06202	BOLT (6X25)	1	
8	13116-94J00	CAP, INLET MANIFOLD	1	
9	13820-89L10	HOLDER, RESTRICTOR	1	
10	09320-09052	CUSHION	2	
11	13831-89L00	CUSHION, AIR INLET PIPE	1	



FIG.17

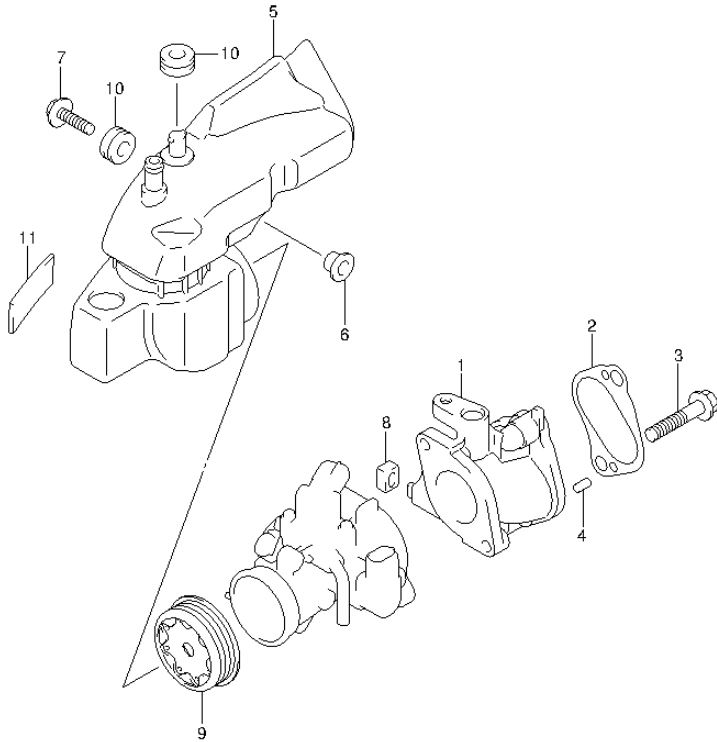


FIG.17 (1-C-4) INLET MANIFOLD (DF9.9BR P01)

REF NO.	PART NO.	DESCRIPTION	Q'TY	REMARKS
1	13111-89L00	MANIFOLD, INLET	1	
2	13119-89L00	GASKET, INLET MANIFOLD	1	
3	01550-08407	BOLT	2	
4	04221-05109	PIN	2	
5	13811-89L00	SILENCER	1	
6	09169-06062	WASHER	1	
7	09116-06202	BOLT (6X25)	1	
8	13116-94J00	CAP, INLET MANIFOLD	1	
9	13820-89L10	HOLDER, RESTRICTOR	1	
10	09320-09052	CUSHION	2	
11	13831-89L00	CUSHION, AIR INLET PIPE	1	



FIG.18

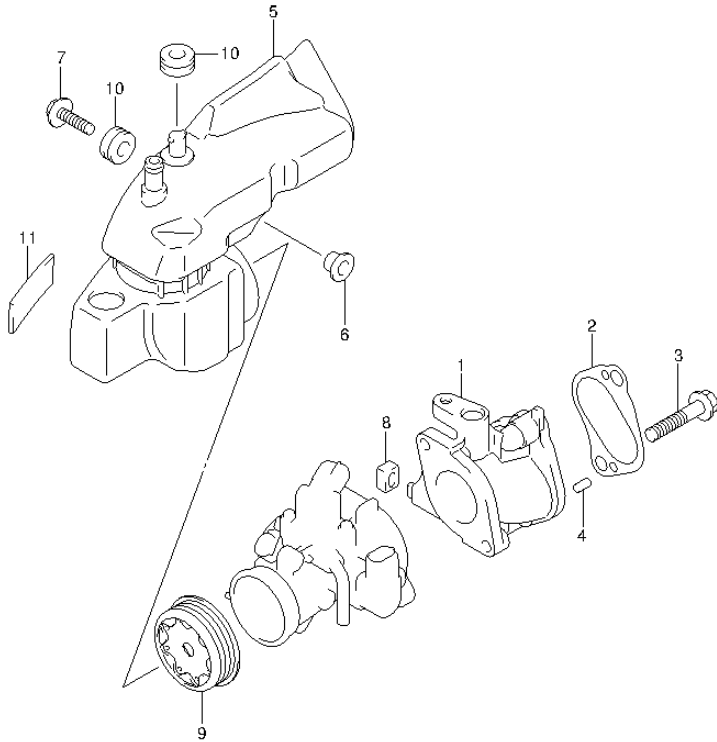


FIG.18 (1-C-5) INLET MANIFOLD (DF9.9BT P01)

REF NO.	PART NO.	DESCRIPTION	Q'TY	REMARKS
1	13111-89L00	MANIFOLD, INLET	1	
2	13119-89L00	GASKET, INLET MANIFOLD	1	
3	01550-08407	BOLT	2	
4	04221-05109	PIN	2	
5	13811-89L00	SILENCER	1	
6	09169-06062	WASHER	1	
7	09116-06202	BOLT (6X25)	1	
8	13116-94J00	CAP, INLET MANIFOLD	1	
9	13820-89L10	HOLDER, RESTRICTOR	1	
10	09320-09052	CUSHION	2	
11	13831-89L00	CUSHION, AIR INLET PIPE	1	



FIG.19

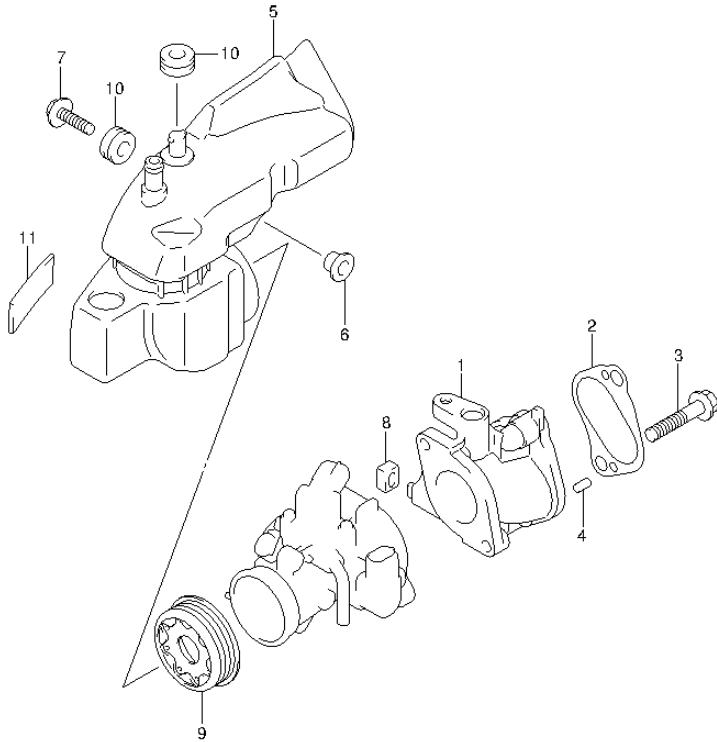


FIG.19 (1-C-6) INLET MANIFOLD (DF15A P01)

REF NO.	PART NO.	DESCRIPTION	Q'TY	REMARKS
1	13111-89L00	MANIFOLD, INLET	1	
2	13119-89L00	GASKET, INLET MANIFOLD	1	
3	01550-08407	BOLT	2	
4	04221-05109	PIN	2	
5	13811-89L00	SILENCER	1	
6	09169-06062	WASHER	1	
7	09116-06202	BOLT (6X25)	1	
8	13116-94J00	CAP, INLET MANIFOLD	1	
9	13820-89L00	HOLDER, RESTRICTOR	1	
10	09320-09052	CUSHION	2	
11	13831-89L00	CUSHION, AIR INLET PIPE	1	





FIG.20

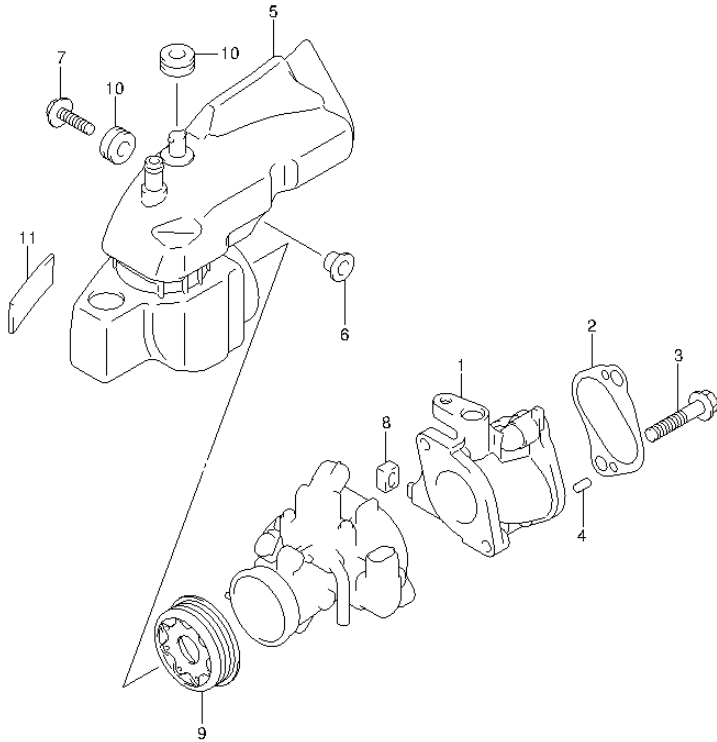


FIG.20 (1-C-7) INLET MANIFOLD (DF15AR P01)

REF NO.	PART NO.	DESCRIPTION	Q'TY	REMARKS
1	13111-89L00	MANIFOLD, INLET	1	
2	13119-89L00	GASKET, INLET MANIFOLD	1	
3	01550-08407	BOLT	2	
4	04221-05109	PIN	2	
5	13811-89L00	SILENCER	1	
6	09169-06062	WASHER	1	
7	09116-06202	BOLT (6X25)	1	
8	13116-94J00	CAP, INLET MANIFOLD	1	
9	13820-89L00	HOLDER, RESTRICTOR	1	
10	09320-09052	CUSHION	2	
11	13831-89L00	CUSHION, AIR INLET PIPE	1	



FIG.21

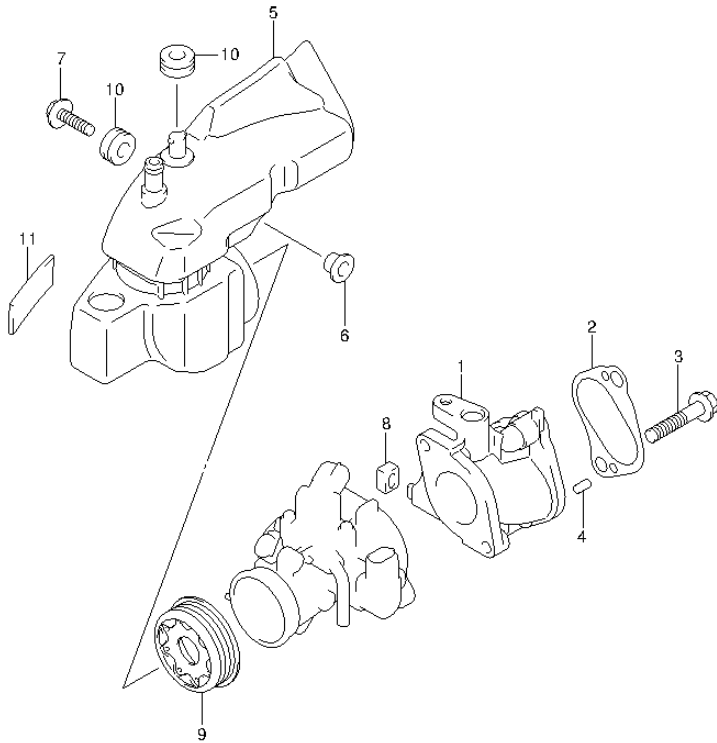


FIG.21 (1-C-8) INLET MANIFOLD (DF15ATH P01)

REF NO.	PART NO.	DESCRIPTION	Q'TY	REMARKS
1	13111-89L00	MANIFOLD, INLET	1	
2	13119-89L00	GASKET, INLET MANIFOLD	1	
3	01550-08407	BOLT	2	
4	04221-05109	PIN	2	
5	13811-89L00	SILENCER	1	
6	09169-06062	WASHER	1	
7	09116-06202	BOLT (6X25)	1	
8	13116-94J00	CAP, INLET MANIFOLD	1	
9	13820-89L00	HOLDER, RESTRICTOR	1	
10	09320-09052	CUSHION	2	
11	13831-89L00	CUSHION, AIR INLET PIPE	1	



FIG.22

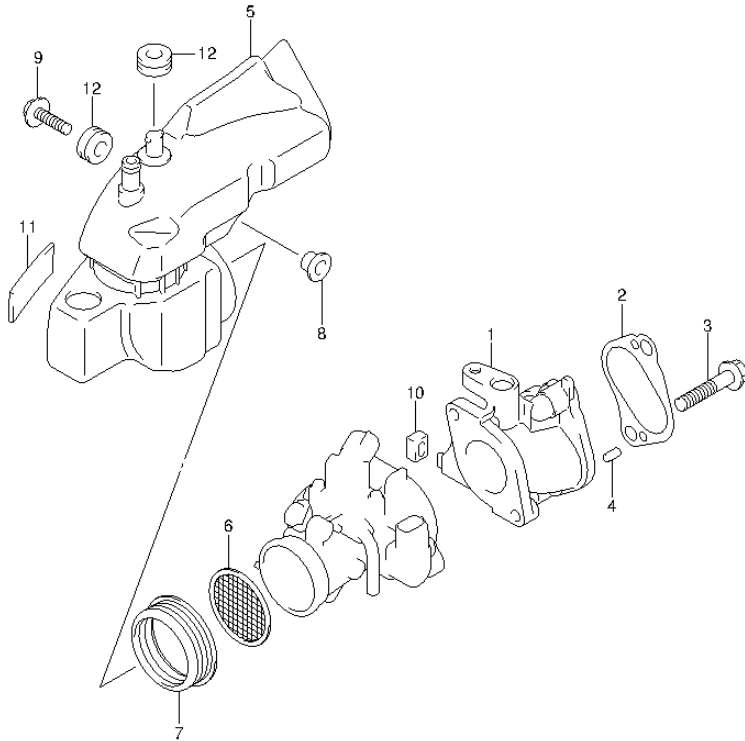


FIG.22 (1-C-9) INLET MANIFOLD (DF20A P01)

REF NO.	PART NO.	DESCRIPTION	Q'TY	REMARKS
1	13111-89L00	MANIFOLD, INLET	1	
2	13119-89L00	GASKET, INLET MANIFOLD	1	
3	01550-08407	BOLT	2	
4	04221-05109	PIN	2	
5	13811-89L00	SILENCER	1	
6	13710-89L00	ARRESTER, FLAME	1	
7	13832-89L00	SEAL, SILENCER	1	
8	09169-06062	WASHER	1	
9	09116-06202	BOLT (6X25)	1	
10	13116-94J00	CAP, INLET MANIFOLD	1	
11	13831-89L00	CUSHION, AIR INLET PIPE	1	
12	09320-09052	CUSHION	2	



FIG.23

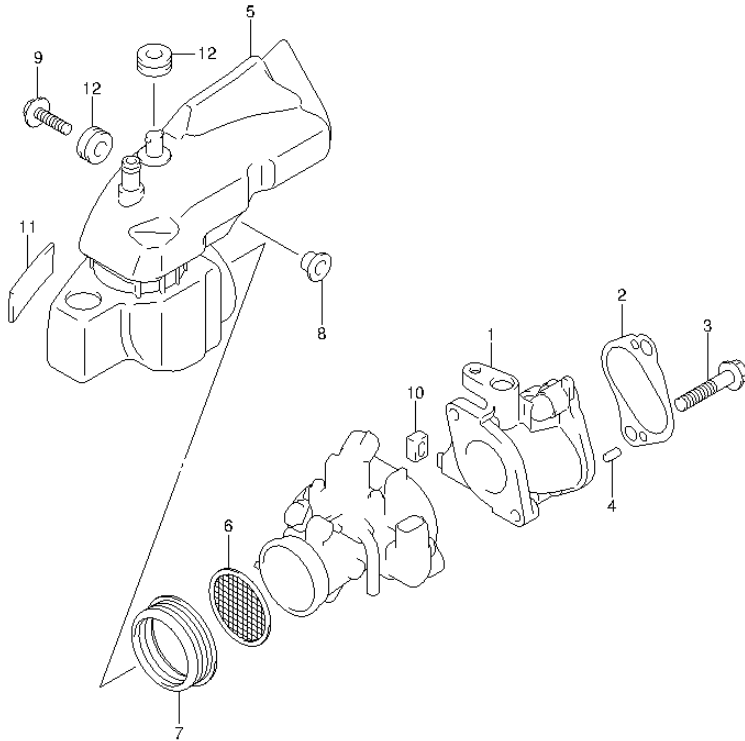


FIG.23 (1-C-10) INLET MANIFOLD (DF20A P40)

REF NO.	PART NO.	DESCRIPTION	Q'TY	REMARKS
1	13111-89L00	MANIFOLD, INLET	1	
2	13119-89L00	GASKET, INLET MANIFOLD	1	
3	01550-08407	BOLT	2	
4	04221-05109	PIN	2	
5	13811-89L00	SILENCER	1	
6	13710-89L00	ARRESTER, FLAME	1	
7	13832-89L00	SEAL, SILENCER	1	
8	09169-06062	WASHER	1	
9	09116-06202	BOLT (6X25)	1	
10	13116-94J00	CAP, INLET MANIFOLD	1	
11	13831-89L00	CUSHION, AIR INLET PIPE	1	
12	09320-09052	CUSHION	2	



FIG.24

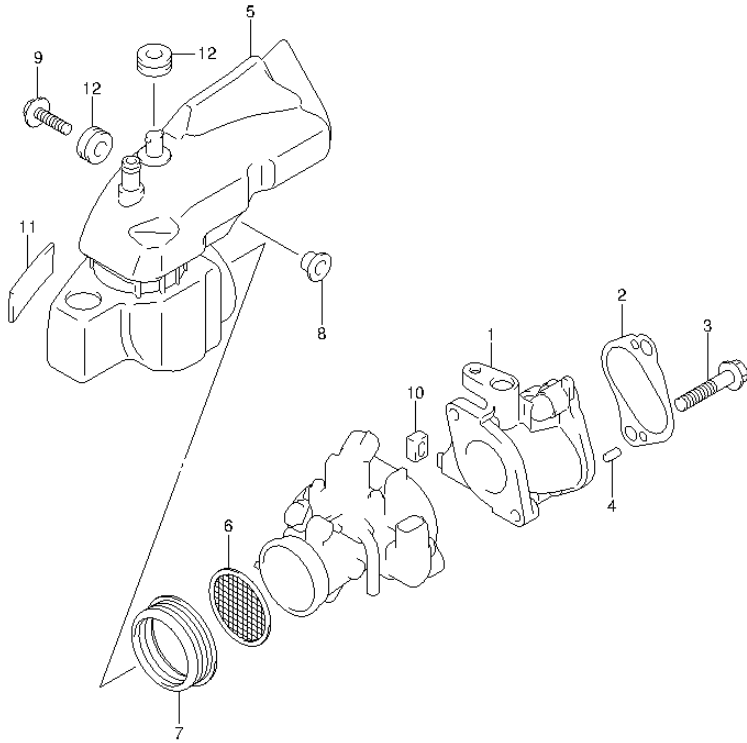


FIG.24 (1-C-11) INLET MANIFOLD (DF20AR P01)

REF NO.	PART NO.	DESCRIPTION	Q'TY	REMARKS
1	13111-89L00	MANIFOLD, INLET	1	
2	13119-89L00	GASKET, INLET MANIFOLD	1	
3	01550-08407	BOLT	2	
4	04221-05109	PIN	2	
5	13811-89L00	SILENCER	1	
6	13710-89L00	ARRESTER, FLAME	1	
7	13832-89L00	SEAL, SILENCER	1	
8	09169-06062	WASHER	1	
9	09116-06202	BOLT (6X25)	1	
10	13116-94J00	CAP, INLET MANIFOLD	1	
11	13831-89L00	CUSHION, AIR INLET PIPE	1	
12	09320-09052	CUSHION	2	



FIG.25

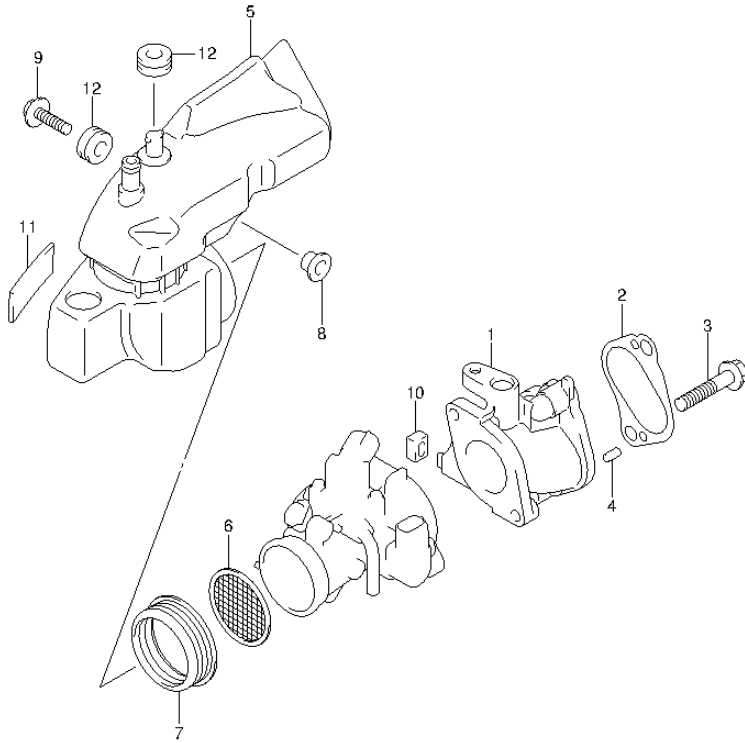


FIG.25 (1-C-12) INLET MANIFOLD (DF20AT P01)

REF NO.	PART NO.	DESCRIPTION	Q'TY	REMARKS
1	13111-89L00	MANIFOLD, INLET	1	
2	13119-89L00	GASKET, INLET MANIFOLD	1	
3	01550-08407	BOLT	2	
4	04221-05109	PIN	2	
5	13811-89L00	SILENCER	1	
6	13710-89L00	ARRESTER, FLAME	1	
7	13832-89L00	SEAL, SILENCER	1	
8	09169-06062	WASHER	1	
9	09116-06202	BOLT (6X25)	1	
10	13116-94J00	CAP, INLET MANIFOLD	1	
11	13831-89L00	CUSHION, AIR INLET PIPE	1	
12	09320-09052	CUSHION	2	



FIG.26

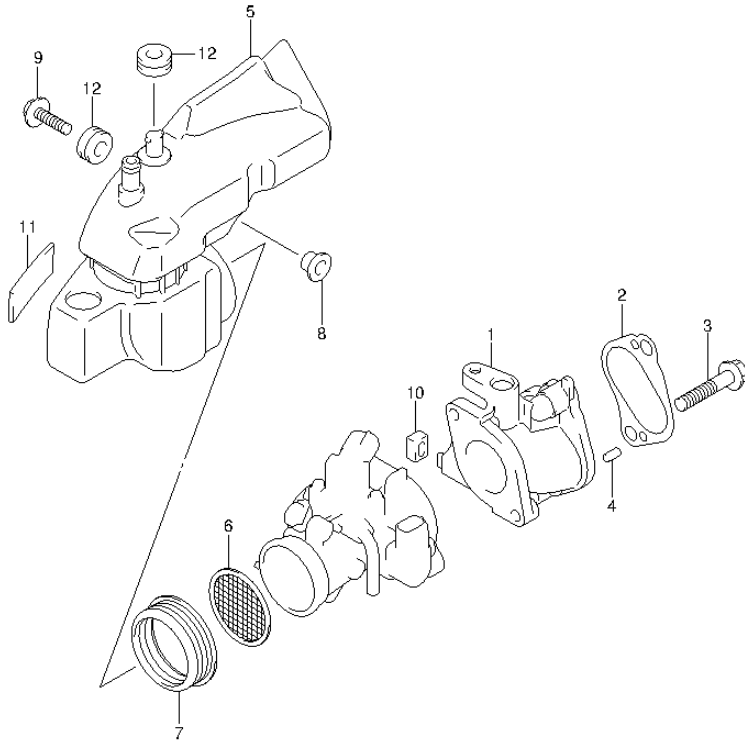
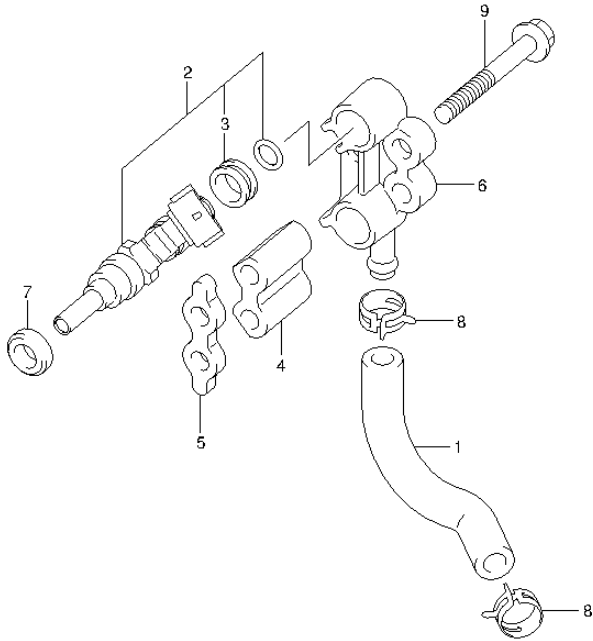


FIG.26 (1-C-13) INLET MANIFOLD (DF20ATH P01)

REF NO.	PART NO.	DESCRIPTION	Q'TY	REMARKS
1	13111-89L00	MANIFOLD, INLET	1	
2	13119-89L00	GASKET, INLET MANIFOLD	1	
3	01550-08407	BOLT	2	
4	04221-05109	PIN	2	
5	13811-89L00	SILENCER	1	
6	13710-89L00	ARRESTER, FLAME	1	
7	13832-89L00	SEAL, SILENCER	1	
8	09169-06062	WASHER	1	
9	09116-06202	BOLT (6X25)	1	
10	13116-94J00	CAP, INLET MANIFOLD	1	
11	13831-89L00	CUSHION, AIR INLET PIPE	1	
12	09320-09052	CUSHION	2	



**FIG.27**



**FIG.27 (1-C-14) FUEL INJECTOR**

REF NO.	PART NO.	DESCRIPTION	Q'TY	REMARKS
1	15681-89L00	HOSE, FUEL(PUMP TO DLVY)	1	
2	15710-89L00	INJECTOR ASSY, FUEL	2	
3	15716-65DT0	.GROMMET SET, FUEL INJECTOR	2	
4	15734-89L00	SPACER, DELIVERY PIPE	1	
5	15735-89L00	INSULATOR, DELIVERY PIPE	1	
6	15751-89L00	PIPE, DELIVERY	1	
7	09320-08062	CUSHION	2	
8	09401-11425	CLIP	2	
9	01550-06507	BOLT	2	





FIG.28

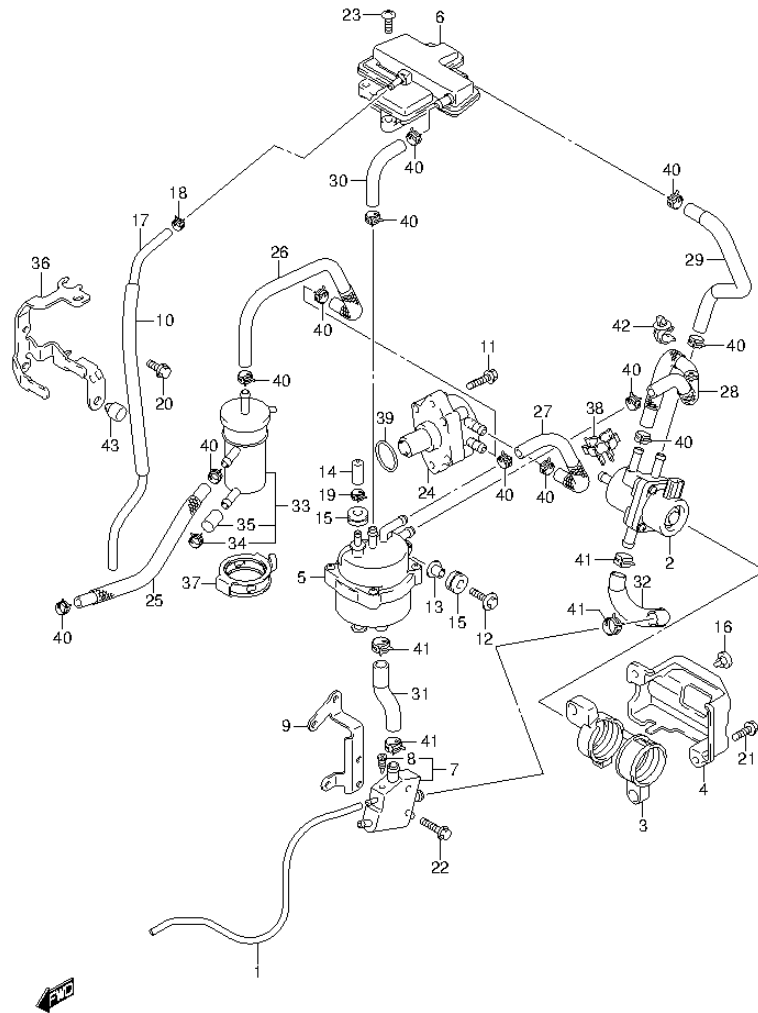


FIG.28 (1-C-15) FUEL PUMP

REF NO.	PART NO.	DESCRIPTION	Q'TY	REMARKS
1	13684-89L00	HOSE, DRAIN	1	
2	15200-89L00	PUMP ASSY, FUEL (H)	1	
3	15217-89L00	CUSHION, FUEL PUMP (H)	1	
4	15218-89L00	BRACKET, FUEL PUMP (H)	1	
5	15600-89L00	SEPARATOR ASSY, FUEL VAPOR	1	
6	15690-89L00	CHAMBER, EVAPORATION	1	
7	15770-89L00	COOLER, FUEL	1	
8	15629-89L00	.SCREW, FUEL DRAIN	1	
9	15790-89L00	BRACKET, FUEL COOLER	1	
10	18498-87JC0	PROTECTOR (L:450)	1	L:450->200
11	01550-06257	BOLT	2	
12	09116-06202	BOLT (6X25)	1	
13	09169-06062	WASHER	1	
14	09251-05006	CAP	1	
15	09320-09052	CUSHION	3	
16	09321-08022	CUSHION	1	
17	09352-50823-600	HOSE (5X8.2X600)	1	L:600->420
18	09401-08412	CLIP	1	
19	09401-10412	CLIP	1	
20	01550-06167	BOLT	2	
21	01550-06207	BOLT	2	
22	01550-06257	BOLT	2	
23	03542-06209	SCREW	3	
24	15100-89L00	PUMP ASSY, FUEL (L)	1	
25	15191-89L00	HOSE, FUEL (CONN TO FILTER)	1	
26	15192-89L00	HOSE, FUEL (FILTER TO PUMP(L))	1	
27	15192-89L10	HOSE, FUEL (PUMP (L) TO SEP)	1	
28	15192-89L20	HOSE, FUEL (PUMP (H) TO SEP)	1	
29	15192-89L30	HOSE, FUEL (PUMP (H) TO 3WAY)	1	
30	15192-89L40	HOSE, FUEL (SEPARATOR TO EVAP)	1	
31	15193-89L00	HOSE, FUEL (SEPARATOR TO COOLER)	1	
32	15194-89L00	HOSE, FUEL (COOLER TO PUMP(H))	1	

FIG.28

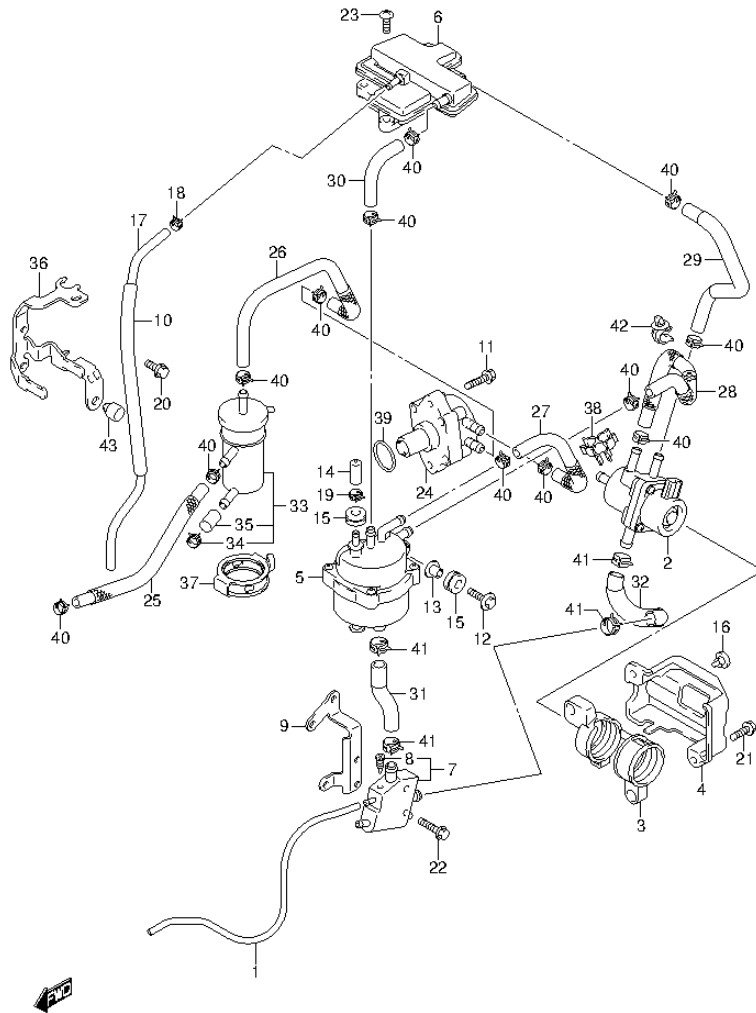


FIG.28 (1-D-2) FUEL PUMP

REF NO.	PART NO.	DESCRIPTION	Q'TY	REMARKS
33	15410-87L00	FILTER, FUEL (L)	1	
34	09401-11423	.CLIP	1	
35	15419-87J00	.CAP, FUEL FILTER	1	
36	15421-89L01	BRACKET, FUEL FILTER	1	
37	15422-89L00	CLAMP, FUEL FILTER	1	
38	15685-89L00	CLAMP, FUEL HOSE	1	
39	09280-26005	O RING (D:2.4, ID:26.2)	1	
40	09401-11423	CLIP	12	
41	09401-13423	CLIP	4	
42	09403-11320	CLAMP	2	
43	61151-91J11	CUSHION, FUEL FILTER BRACKET	1	

FIG.29

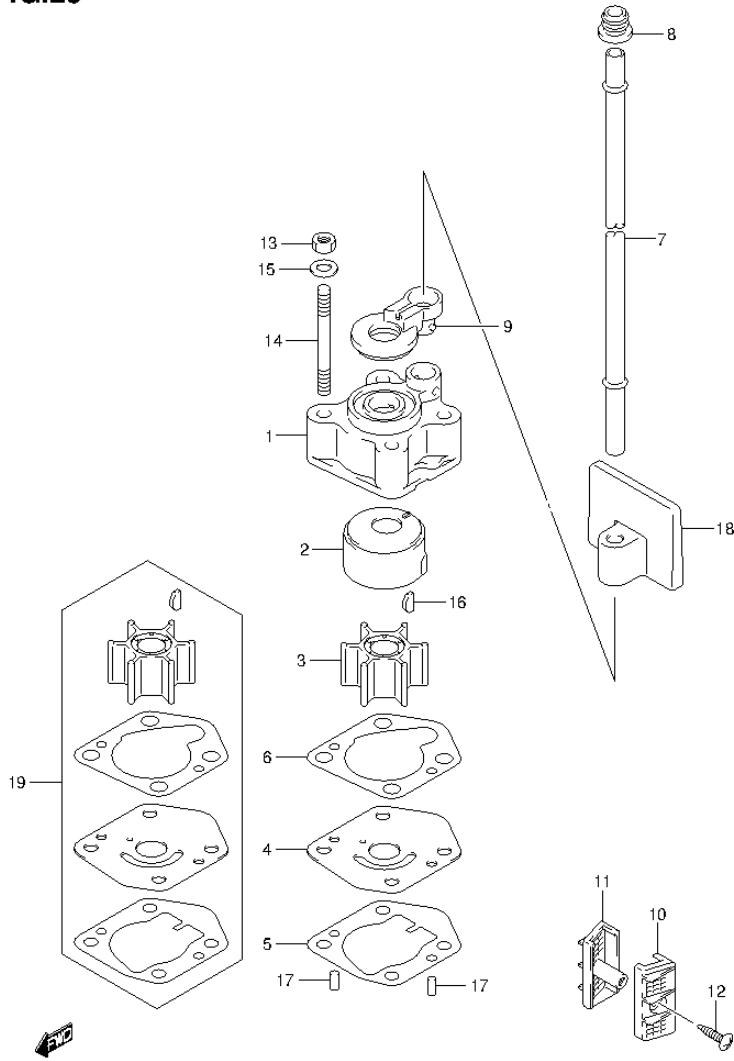


FIG.29 (1-D-3) WATER PUMP (DF9.9B P01)

REF NO.	PART NO.	DESCRIPTION	Q'TY	REMARKS
1	17411-94J00	CASE, WATER PUMP	1	
2	17413-94J00	SLEEVE, WATER PUMP CASE	1	
3	17461-939M0	IMPELLER, WATER PUMP	1	
4	17471-99J00	PANEL, PUMP CASE UNDER	1	
5	17472-99J00	GASKET, PUMP CASE PANEL	1	
6	17473-94J00	GASKET, WATER PUMP CASE	1	
7-1	17561-99J00	TUBE, WATER (S)	1	W/TRANSOM(S)
7-2	17561-99J10	TUBE, WATER (L)	1	W/TRANSOM(L)
8	17563-94J00	BUSH, WATER TUBE MIDDLE	1	
9	17564-99J00	BUSH, WATER PUMP CASE	1	
10	17631-99J20	FILTER, WATER PORT SIDE	1	
11	17632-99J30	FILTER, WATER STBD SIDE	1	
12	03142-04169	SCREW	1	
13	29141-93J00	NUT, WATER PUMP CASE	4	
14	09108-06141	STUD BOLT	4	
15	09160-06082	WASHER (6.5X13X1.0)	4	
16	09420-03005	KEY	1	
17	09202-04008	PIN (D:4,L:9)	2	
18	17565-99J00	GUIDE, WATER TUBE	1	
19	17400-99J00	KIT, WATER PUMP REPAIR	1	OPT

FIG.30

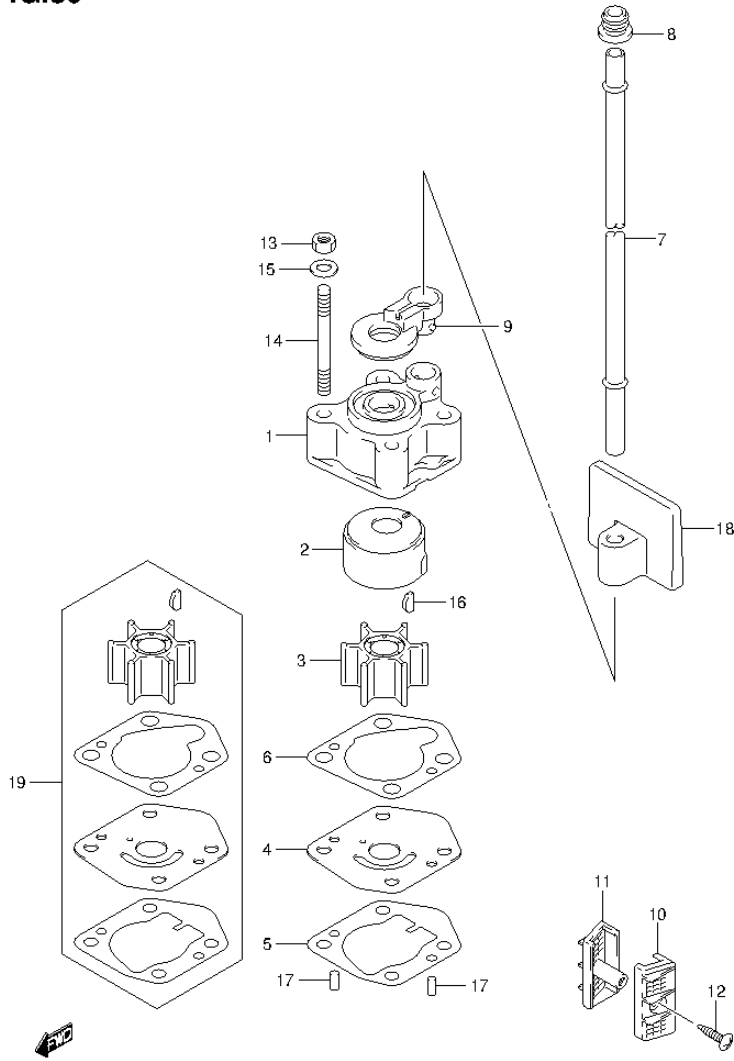


FIG.30 (1-D-4) WATER PUMP (DF9.9BR P01)

REF NO.	PART NO.	DESCRIPTION	Q'TY	REMARKS
1	17411-94J00	CASE, WATER PUMP	1	
2	17413-94J00	SLEEVE, WATER PUMP CASE	1	
3	17461-939M0	IMPELLER, WATER PUMP	1	
4	17471-99J00	PANEL, PUMP CASE UNDER	1	
5	17472-99J00	GASKET, PUMP CASE PANEL	1	
6	17473-94J00	GASKET, WATER PUMP CASE	1	
7-1	17561-99J00	TUBE, WATER (S)	1	W/TRANSOM(S)
7-2	17561-99J10	TUBE, WATER (L)	1	W/TRANSOM(L)
8	17563-94J00	BUSH, WATER TUBE MIDDLE	1	
9	17564-99J00	BUSH, WATER PUMP CASE	1	
10	17631-99J20	FILTER, WATER PORT SIDE	1	
11	17632-99J30	FILTER, WATER STBD SIDE	1	
12	03142-04169	SCREW	1	
13	29141-93J00	NUT, WATER PUMP CASE	4	
14	09108-06141	STUD BOLT	4	
15	09160-06082	WASHER (6.5X13X1.0)	4	
16	09420-03005	KEY	1	
17	09202-04008	PIN (D:4,L:9)	2	
18	17565-99J00	GUIDE, WATER TUBE	1	
19	17400-99J00	KIT, WATER PUMP REPAIR	1	OPT

FIG.31

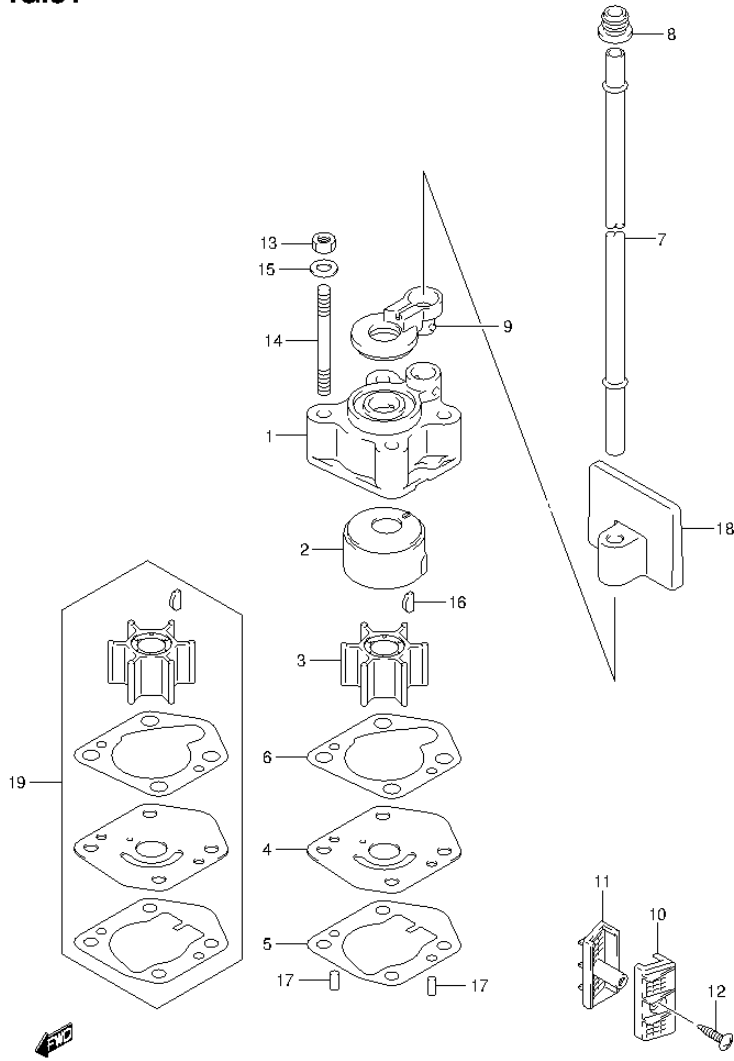


FIG.31 (1-D-5) WATER PUMP (DF9.9BT P01)

REF NO.	PART NO.	DESCRIPTION	Q'TY	REMARKS
1	17411-94J00	CASE, WATER PUMP	1	
2	17413-94J00	SLEEVE, WATER PUMP CASE	1	
3	17461-939M0	IMPELLER, WATER PUMP	1	
4	17471-99J00	PANEL, PUMP CASE UNDER	1	
5	17472-99J00	GASKET, PUMP CASE PANEL	1	
6	17473-94J00	GASKET, WATER PUMP CASE	1	
7-1	17561-99J00	TUBE, WATER (S)	1	W/TRANSOM(S)
7-2	17561-99J10	TUBE, WATER (L)	1	W/TRANSOM(L)
8	17563-94J00	BUSH, WATER TUBE MIDDLE	1	
9	17564-99J00	BUSH, WATER PUMP CASE	1	
10	17631-99J20	FILTER, WATER PORT SIDE	1	
11	17632-99J30	FILTER, WATER STBD SIDE	1	
12	03142-04169	SCREW	1	
13	29141-93J00	NUT, WATER PUMP CASE	4	
14	09108-06141	STUD BOLT	4	
15	09160-06082	WASHER (6.5X13X1.0)	4	
16	09420-03005	KEY	1	
17	09202-04008	PIN (D:4,L:9)	2	
18	17565-99J00	GUIDE, WATER TUBE	1	
19	17400-99J00	KIT, WATER PUMP REPAIR	1	OPT

FIG.32

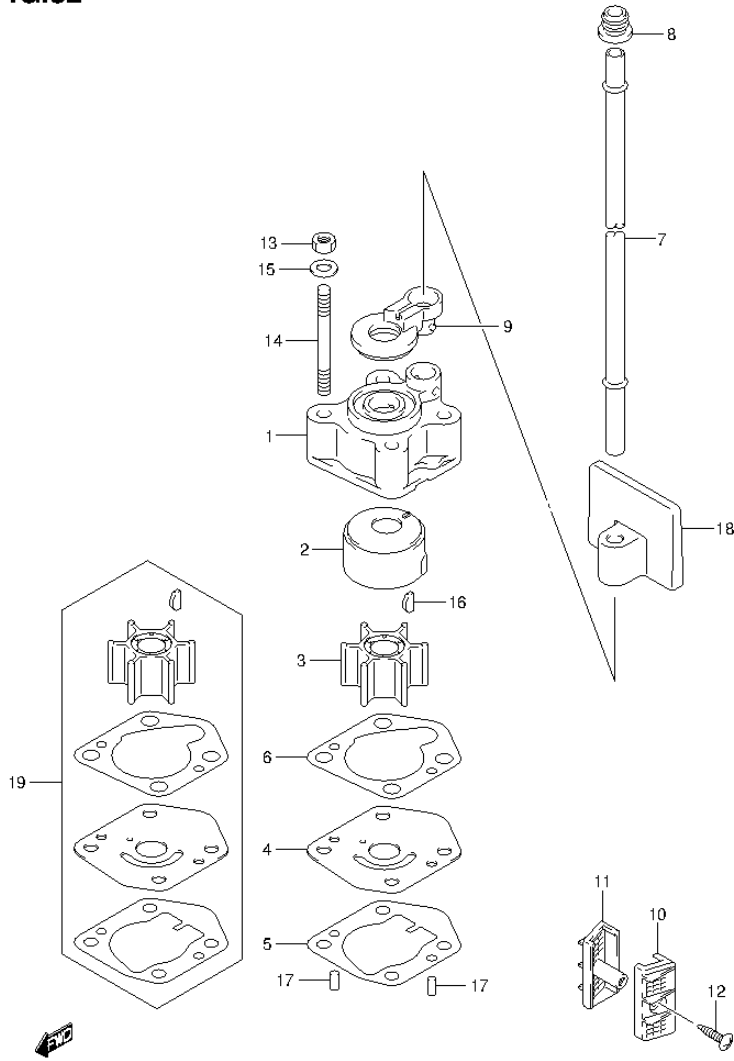


FIG.32 (1-D-6) WATER PUMP (DF15A P01)

REF NO.	PART NO.	DESCRIPTION	Q'TY	REMARKS
1	17411-94J00	CASE, WATER PUMP	1	
2	17413-94J00	SLEEVE, WATER PUMP CASE	1	
3	17461-939M0	IMPELLER, WATER PUMP	1	
4	17471-99J00	PANEL, PUMP CASE UNDER	1	
5	17472-99J00	GASKET, PUMP CASE PANEL	1	
6	17473-94J00	GASKET, WATER PUMP CASE	1	
7-1	17561-99J00	TUBE, WATER (S)	1	W/TRANSOM(S)
7-2	17561-99J10	TUBE, WATER (L)	1	W/TRANSOM(L)
8	17563-94J00	BUSH, WATER TUBE MIDDLE	1	
9	17564-99J00	BUSH, WATER PUMP CASE	1	
10	17631-99J20	FILTER, WATER PORT SIDE	1	
11	17632-99J30	FILTER, WATER STBD SIDE	1	
12	03142-04169	SCREW	1	
13	29141-93J00	NUT, WATER PUMP CASE	4	
14	09108-06141	STUD BOLT	4	
15	09160-06082	WASHER (6.5X13X1.0)	4	
16	09420-03005	KEY	1	
17	09202-04008	PIN (D:4,L:9)	2	
18	17565-99J00	GUIDE, WATER TUBE	1	
19	17400-99J00	KIT, WATER PUMP REPAIR	1	OPT

FIG.33

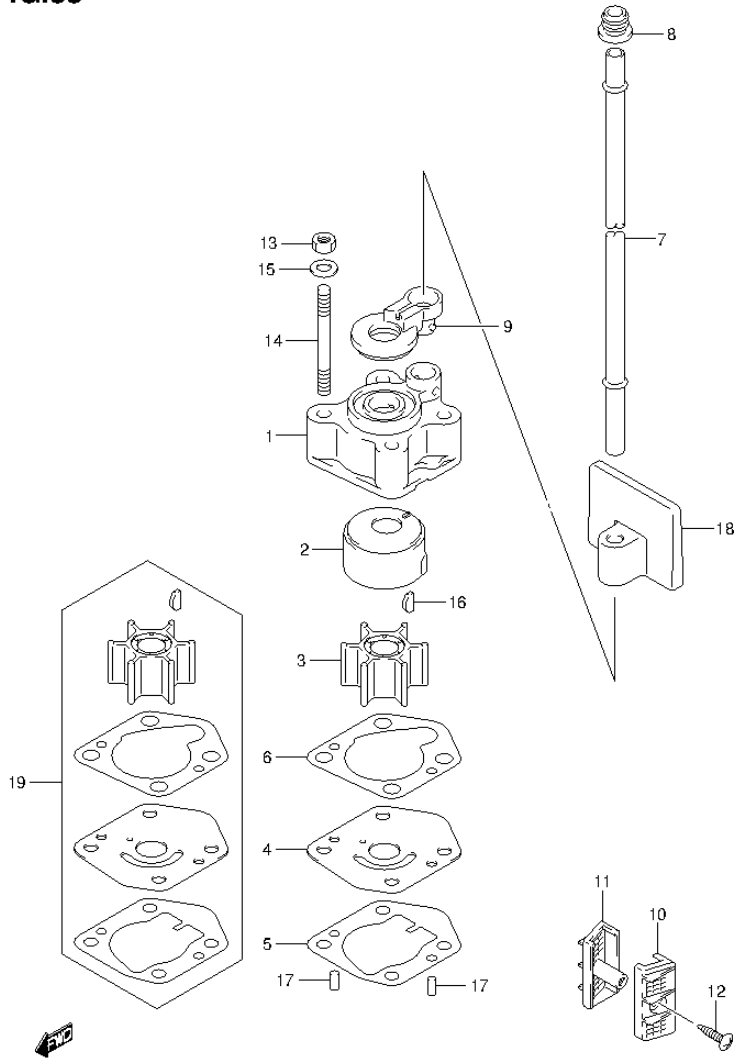


FIG.33 (1-D-7) WATER PUMP (DF15AR P01)

REF NO.	PART NO.	DESCRIPTION	Q'TY	REMARKS
1	17411-94J00	CASE, WATER PUMP	1	
2	17413-94J00	SLEEVE, WATER PUMP CASE	1	
3	17461-939M0	IMPELLER, WATER PUMP	1	
4	17471-99J00	PANEL, PUMP CASE UNDER	1	
5	17472-99J00	GASKET, PUMP CASE PANEL	1	
6	17473-94J00	GASKET, WATER PUMP CASE	1	
7-1	17561-99J00	TUBE, WATER (S)	1	W/TRANSOM(S)
7-2	17561-99J10	TUBE, WATER (L)	1	W/TRANSOM(L)
8	17563-94J00	BUSH, WATER TUBE MIDDLE	1	
9	17564-99J00	BUSH, WATER PUMP CASE	1	
10	17631-99J20	FILTER, WATER PORT SIDE	1	
11	17632-99J30	FILTER, WATER STBD SIDE	1	
12	03142-04169	SCREW	1	
13	29141-93J00	NUT, WATER PUMP CASE	4	
14	09108-06141	STUD BOLT	4	
15	09160-06082	WASHER (6.5X13X1.0)	4	
16	09420-03005	KEY	1	
17	09202-04008	PIN (D:4,L:9)	2	
18	17565-99J00	GUIDE, WATER TUBE	1	
19	17400-99J00	KIT, WATER PUMP REPAIR	1	OPT

FIG.34

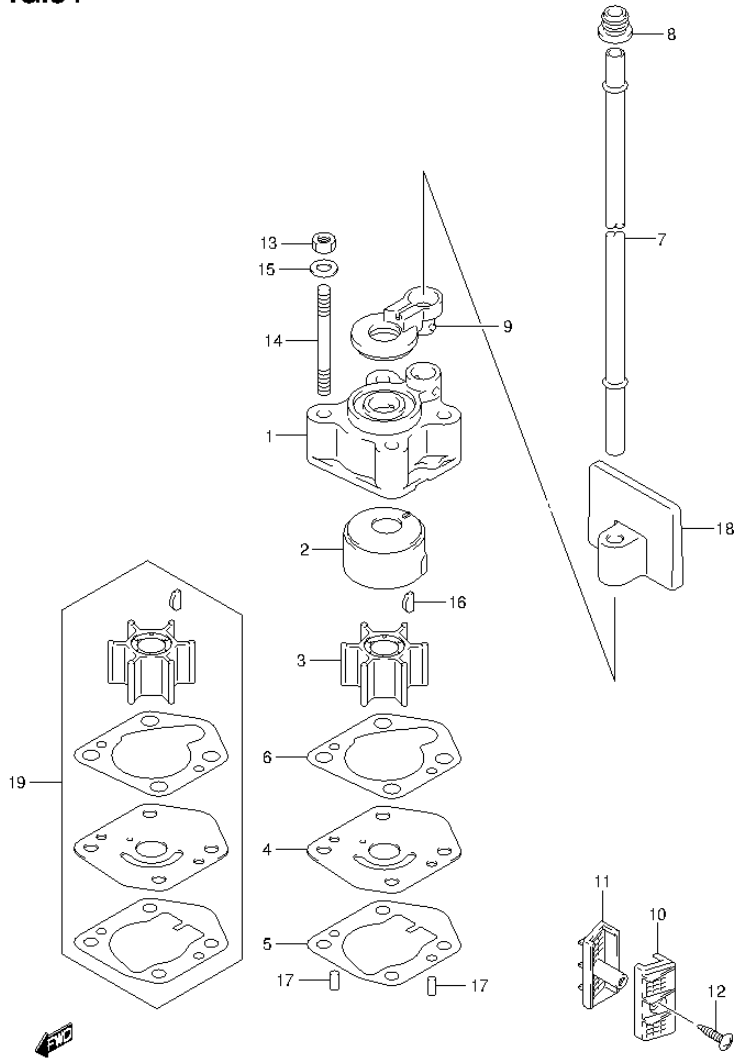


FIG.34 (1-D-8) WATER PUMP (DF15ATH P01)

REF NO.	PART NO.	DESCRIPTION	Q'TY	REMARKS
1	17411-94J00	CASE, WATER PUMP	1	
2	17413-94J00	SLEEVE, WATER PUMP CASE	1	
3	17461-939M0	IMPELLER, WATER PUMP	1	
4	17471-99J00	PANEL, PUMP CASE UNDER	1	
5	17472-99J00	GASKET, PUMP CASE PANEL	1	
6	17473-94J00	GASKET, WATER PUMP CASE	1	
7-1	17561-99J00	TUBE, WATER (S)	1	W/TRANSOM(S)
7-2	17561-99J10	TUBE, WATER (L)	1	W/TRANSOM(L)
8	17563-94J00	BUSH, WATER TUBE MIDDLE	1	
9	17564-99J00	BUSH, WATER PUMP CASE	1	
10	17631-99J20	FILTER, WATER PORT SIDE	1	
11	17632-99J30	FILTER, WATER STBD SIDE	1	
12	03142-04169	SCREW	1	
13	29141-93J00	NUT, WATER PUMP CASE	4	
14	09108-06141	STUD BOLT	4	
15	09160-06082	WASHER (6.5X13X1.0)	4	
16	09420-03005	KEY	1	
17	09202-04008	PIN (D:4,L:9)	2	
18	17565-99J00	GUIDE, WATER TUBE	1	
19	17400-99J00	KIT, WATER PUMP REPAIR	1	OPT



FIG.35

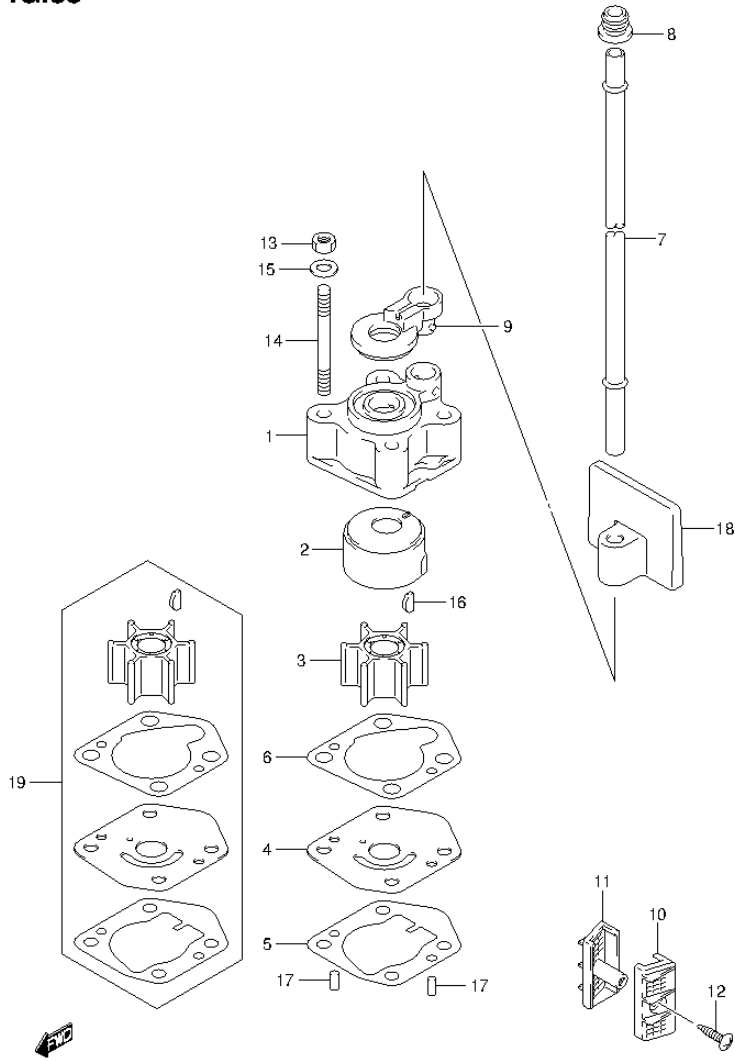


FIG.35 (1-D-9) WATER PUMP (DF20A P01)

REF NO.	PART NO.	DESCRIPTION	Q'TY	REMARKS
1	17411-94J00	CASE, WATER PUMP	1	
2	17413-94J00	SLEEVE, WATER PUMP CASE	1	
3	17461-939M0	IMPELLER, WATER PUMP	1	
4	17471-99J00	PANEL, PUMP CASE UNDER	1	
5	17472-99J00	GASKET, PUMP CASE PANEL	1	
6	17473-94J00	GASKET, WATER PUMP CASE	1	
7-1	17561-99J00	TUBE, WATER (S)	1	W/TRANSOM(S)
7-2	17561-99J10	TUBE, WATER (L)	1	W/TRANSOM(L)
8	17563-94J00	BUSH, WATER TUBE MIDDLE	1	
9	17564-99J00	BUSH, WATER PUMP CASE	1	
10	17631-99J20	FILTER, WATER PORT SIDE	1	
11	17632-99J30	FILTER, WATER STBD SIDE	1	
12	03142-04169	SCREW	1	
13	29141-93J00	NUT, WATER PUMP CASE	4	
14	09108-06141	STUD BOLT	4	
15	09160-06082	WASHER (6.5X13X1.0)	4	
16	09420-03005	KEY	1	
17	09202-04008	PIN (D:4,L:9)	2	
18	17565-99J00	GUIDE, WATER TUBE	1	
19	17400-99J00	KIT, WATER PUMP REPAIR	1	OPT

FIG.36

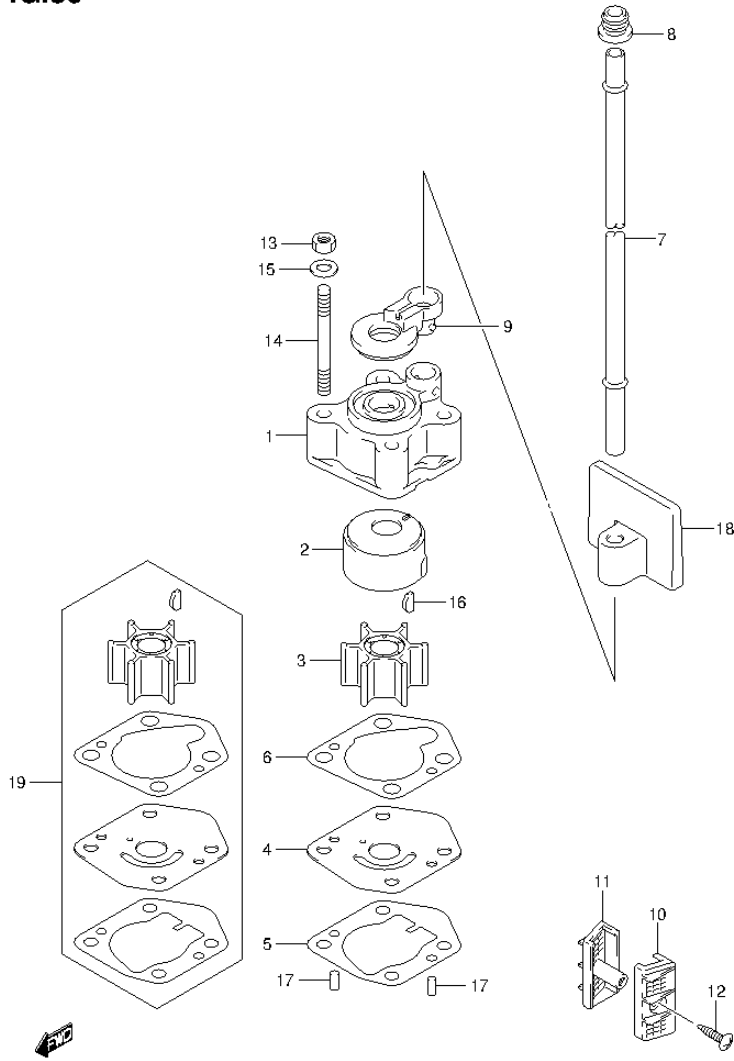


FIG.36 (1-D-10) WATER PUMP (DF20A P40)

REF NO.	PART NO.	DESCRIPTION	Q'TY	REMARKS
1	17411-94J00	CASE, WATER PUMP	1	
2	17413-94J10	SLEEVE, WATER PUMP CASE	1	
3	17461-939M0	IMPELLER, WATER PUMP	1	
4	17471-99J10	PANEL, PUMP CASE UNDER	1	
5	17472-99J00	GASKET, PUMP CASE PANEL	1	
6	17473-94J00	GASKET, WATER PUMP CASE	1	
7-1	17561-99J00	TUBE, WATER (S)	1	W/TRANSOM(S)
7-2	17561-99J10	TUBE, WATER (L)	1	W/TRANSOM(L)
8	17563-94J00	BUSH, WATER TUBE MIDDLE	1	
9	17564-99J00	BUSH, WATER PUMP CASE	1	
10	17631-99J20	FILTER, WATER PORT SIDE	1	
11	17632-99J30	FILTER, WATER STBD SIDE	1	
12	03142-04169	SCREW	1	
13	29141-93J00	NUT, WATER PUMP CASE	4	
14	09108-06141	STUD BOLT	4	
15	09160-06082	WASHER (6.5X13X1.0)	4	
16	09420-03005	KEY	1	
17	09202-04008	PIN (D:4,L:9)	2	
18	17565-99J00	GUIDE, WATER TUBE	1	
19	17400-99J10	KIT, WATER PUMP REPAIR	1	OPT

FIG.37

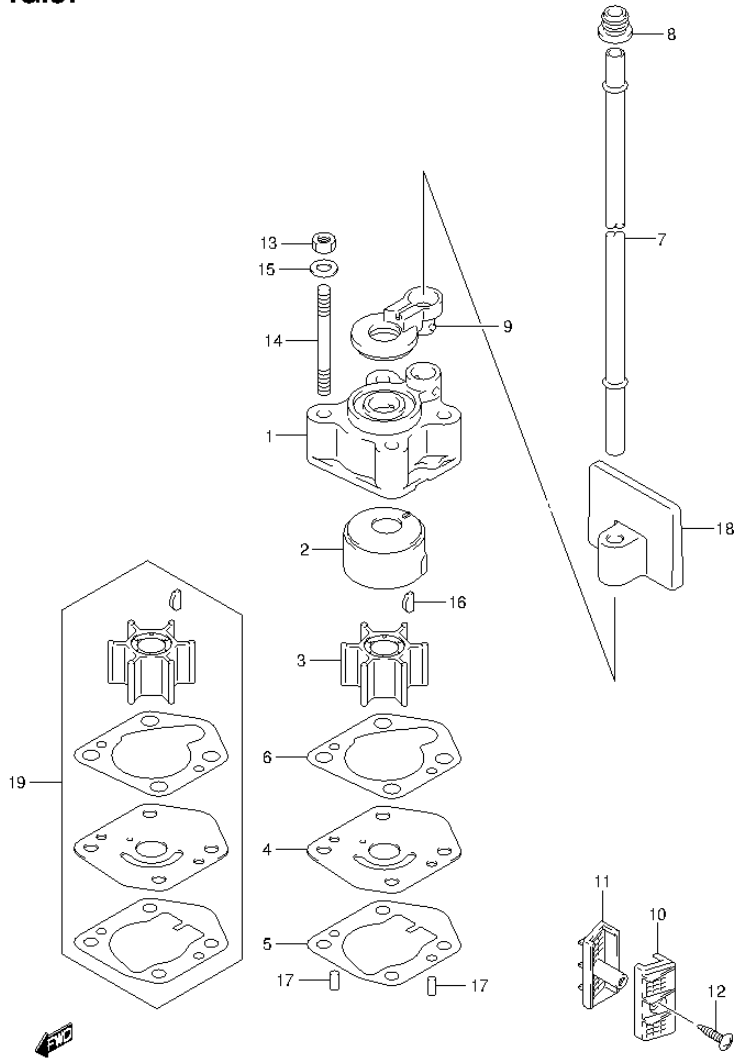


FIG.37 (1-D-11) WATER PUMP (DF20AR P01)

REF NO.	PART NO.	DESCRIPTION	Q'TY	REMARKS
1	17411-94J00	CASE, WATER PUMP	1	
2	17413-94J00	SLEEVE, WATER PUMP CASE	1	
3	17461-939M0	IMPELLER, WATER PUMP	1	
4	17471-99J00	PANEL, PUMP CASE UNDER	1	
5	17472-99J00	GASKET, PUMP CASE PANEL	1	
6	17473-94J00	GASKET, WATER PUMP CASE	1	
7-1	17561-99J00	TUBE, WATER (S)	1	W/TRANSOM(S)
7-2	17561-99J10	TUBE, WATER (L)	1	W/TRANSOM(L)
8	17563-94J00	BUSH, WATER TUBE MIDDLE	1	
9	17564-99J00	BUSH, WATER PUMP CASE	1	
10	17631-99J20	FILTER, WATER PORT SIDE	1	
11	17632-99J30	FILTER, WATER STBD SIDE	1	
12	03142-04169	SCREW	1	
13	29141-93J00	NUT, WATER PUMP CASE	4	
14	09108-06141	STUD BOLT	4	
15	09160-06082	WASHER (6.5X13X1.0)	4	
16	09420-03005	KEY	1	
17	09202-04008	PIN (D:4,L:9)	2	
18	17565-99J00	GUIDE, WATER TUBE	1	
19	17400-99J00	KIT, WATER PUMP REPAIR	1	OPT

FIG.38

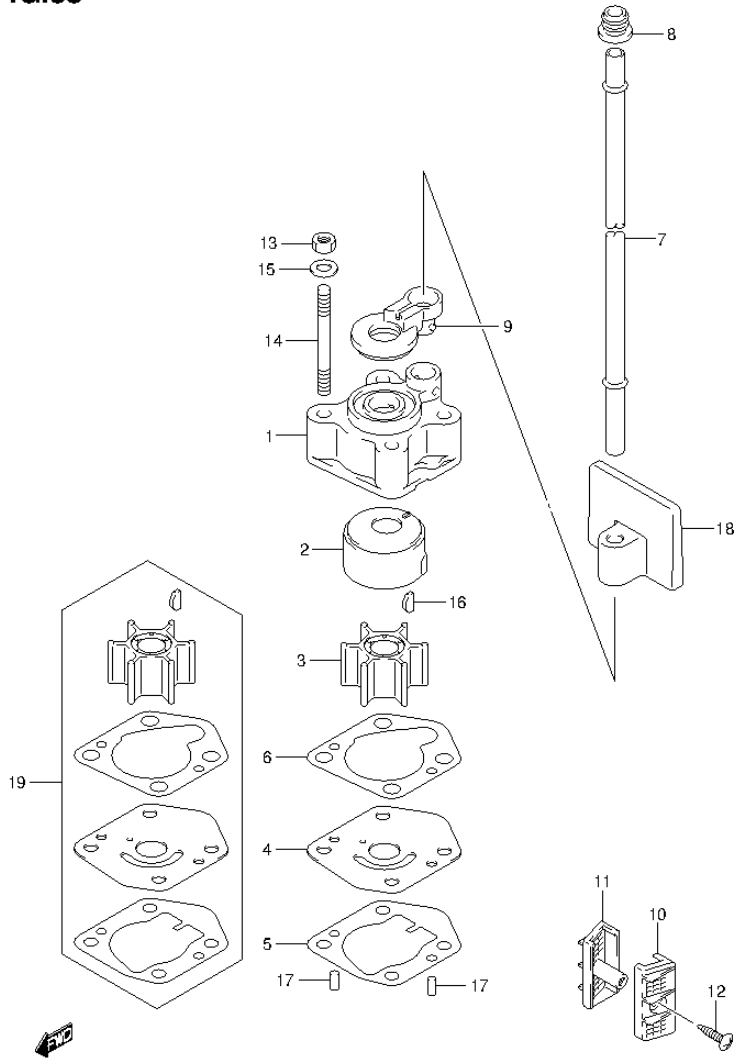


FIG.38 (1-D-12) WATER PUMP (DF20AT P01)

REF NO.	PART NO.	DESCRIPTION	Q'TY	REMARKS
1	17411-94J00	CASE, WATER PUMP	1	
2	17413-94J00	SLEEVE, WATER PUMP CASE	1	
3	17461-939M0	IMPELLER, WATER PUMP	1	
4	17471-99J00	PANEL, PUMP CASE UNDER	1	
5	17472-99J00	GASKET, PUMP CASE PANEL	1	
6	17473-94J00	GASKET, WATER PUMP CASE	1	
7-1	17561-99J00	TUBE, WATER (S)	1	W/TRANSOM(S)
7-2	17561-99J10	TUBE, WATER (L)	1	W/TRANSOM(L)
8	17563-94J00	BUSH, WATER TUBE MIDDLE	1	
9	17564-99J00	BUSH, WATER PUMP CASE	1	
10	17631-99J20	FILTER, WATER PORT SIDE	1	
11	17632-99J30	FILTER, WATER STBD SIDE	1	
12	03142-04169	SCREW	1	
13	29141-93J00	NUT, WATER PUMP CASE	4	
14	09108-06141	STUD BOLT	4	
15	09160-06082	WASHER (6.5X13X1.0)	4	
16	09420-03005	KEY	1	
17	09202-04008	PIN (D:4,L:9)	2	
18	17565-99J00	GUIDE, WATER TUBE	1	
19	17400-99J00	KIT, WATER PUMP REPAIR	1	OPT

FIG.39

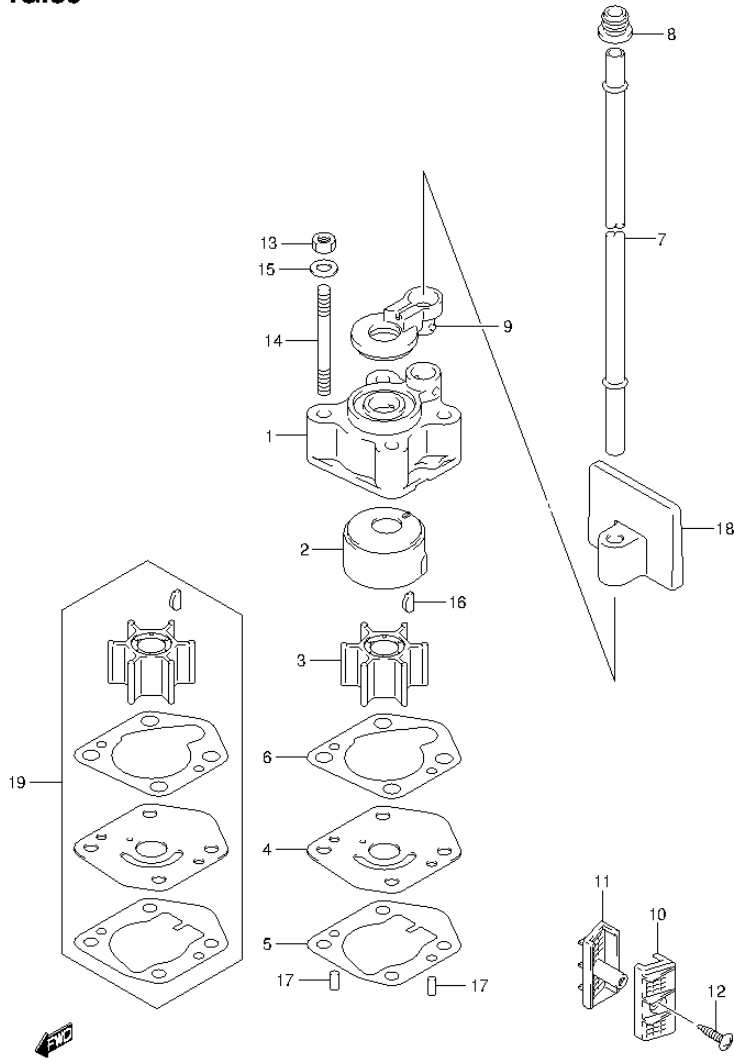


FIG.39 (1-D-13) WATER PUMP (DF20ATH P01)

REF NO.	PART NO.	DESCRIPTION	Q'TY	REMARKS
1	17411-94J00	CASE, WATER PUMP	1	
2	17413-94J00	SLEEVE, WATER PUMP CASE	1	
3	17461-939M0	IMPELLER, WATER PUMP	1	
4	17471-99J00	PANEL, PUMP CASE UNDER	1	
5	17472-99J00	GASKET, PUMP CASE PANEL	1	
6	17473-94J00	GASKET, WATER PUMP CASE	1	
7-1	17561-99J00	TUBE, WATER (S)	1	W/TRANSOM(S)
7-2	17561-99J10	TUBE, WATER (L)	1	W/TRANSOM(L)
8	17563-94J00	BUSH, WATER TUBE MIDDLE	1	
9	17564-99J00	BUSH, WATER PUMP CASE	1	
10	17631-99J20	FILTER, WATER PORT SIDE	1	
11	17632-99J30	FILTER, WATER STBD SIDE	1	
12	03142-04169	SCREW	1	
13	29141-93J00	NUT, WATER PUMP CASE	4	
14	09108-06141	STUD BOLT	4	
15	09160-06082	WASHER (6.5X13X1.0)	4	
16	09420-03005	KEY	1	
17	09202-04008	PIN (D:4,L:9)	2	
18	17565-99J00	GUIDE, WATER TUBE	1	
19	17400-99J00	KIT, WATER PUMP REPAIR	1	OPT

FIG.40

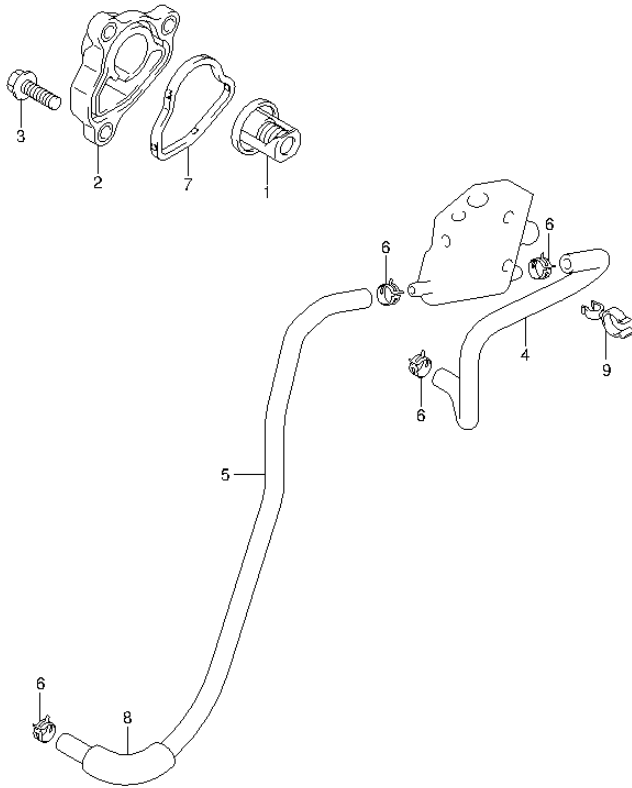


FIG.40 (1-D-14) THERMOSTAT

REF NO.	PART NO.	DESCRIPTION	Q'TY	REMARKS
1	17670-91J00	THERMOSTAT (50C)	1	
2	17680-89L00	COVER, THERMOSTAT	1	
3	01550-06207	BOLT	3	
4	17712-89L10	HOSE, WATER (COOLER TO HOUSING)	1	
5	17712-89L00	HOSE, WATER (HOUSING TO COOLER)	1	
6	09401-08413	CLIP	4	
7	17685-89L00	SEAL, THERMOSTAT COVER	1	
8	18498-94J20	PROTECTOR,FUEL HOSE (L:320)	1	L:320->50
9	09408-00070	CLAMP	1	



FIG.41

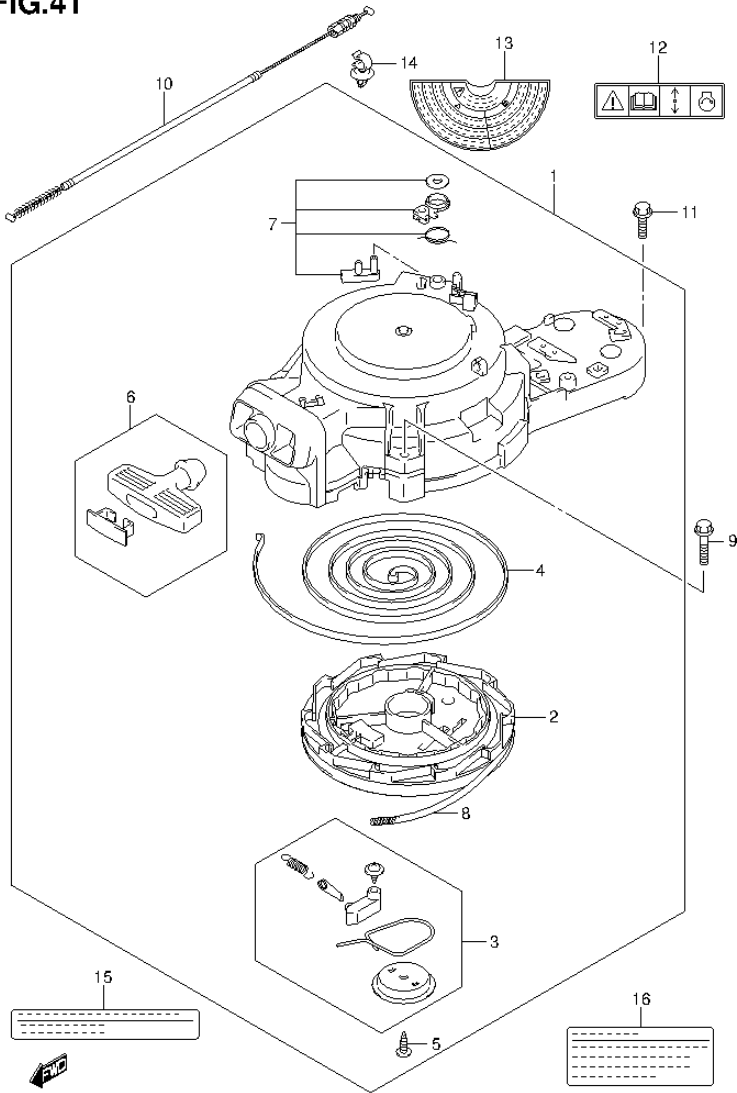


FIG.41 (1-D-15) RECOIL STARTER (DF9.9B P01)

REF NO.	PART NO.	DESCRIPTION	Q'TY	REMARKS
1	18100-94JM0	STARTER ASSY, RECOIL	1	
2	18121-94JL0	.REEL	1	
3	18130-93E01	.RATCHET SET	1	
4	18142-93E00	.SPRING, SPIRAL	1	
5	18132-89L00	.SCREW, TAPPING	1	
6	18210-93002	.GRIP ASSY	1	
7	18280-93E00	.NSI SET	1	
8	99000-81158-50M	ROPE	1	OPT L:50000->1200
9	01550-06307	BOLT	3	
10	18290-94J01	CABLE ASSY, NSI	1	
11	01550-06207	BOLT	1	
12	69711-93E10	LABEL (S.I.G.P.)	1	
13	61472-94J10	LABEL, RECOIL STARTER	1	
14	09403-12415	CLAMP	1	
15	61493-94J00	LABEL, CLEARANCE	1	
16	61494-94J00	LABEL, OIL	1	

FIG.42

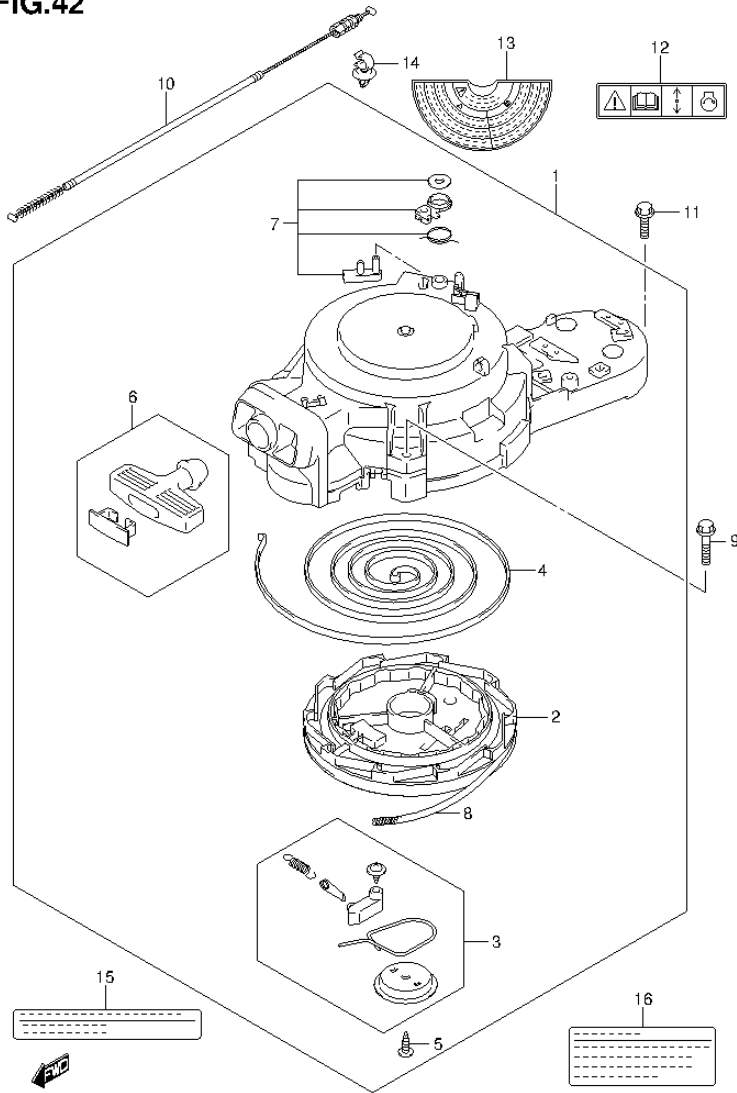


FIG.42 (1-E-2) RECOIL STARTER (DF9.9BR P01)

REF NO.	PART NO.	DESCRIPTION	Q'TY	REMARKS
1	18100-94JM0	STARTER ASSY, RECOIL	1	
2	18121-94JL0	.REEL	1	
3	18130-93E01	.RATCHET SET	1	
4	18142-93E00	.SPRING, SPIRAL	1	
5	18132-89L00	.SCREW, TAPPING	1	
6	18210-93002	.GRIP ASSY	1	
7	18280-93E00	.NSI SET	1	
8	99000-81158-50M	ROPE	1	OPT L:50000->1200
9	01550-06307	BOLT	3	
10	18290-94J01	CABLE ASSY, NSI	1	
11	01550-06207	BOLT	1	
12	69711-93E10	LABEL (S.I.G.P.)	1	
13	61472-94J10	LABEL, RECOIL STARTER	1	
14	09403-12415	CLAMP	1	
15	61493-94J00	LABEL, CLEARANCE	1	
16	61494-94J00	LABEL, OIL	1	



FIG.43

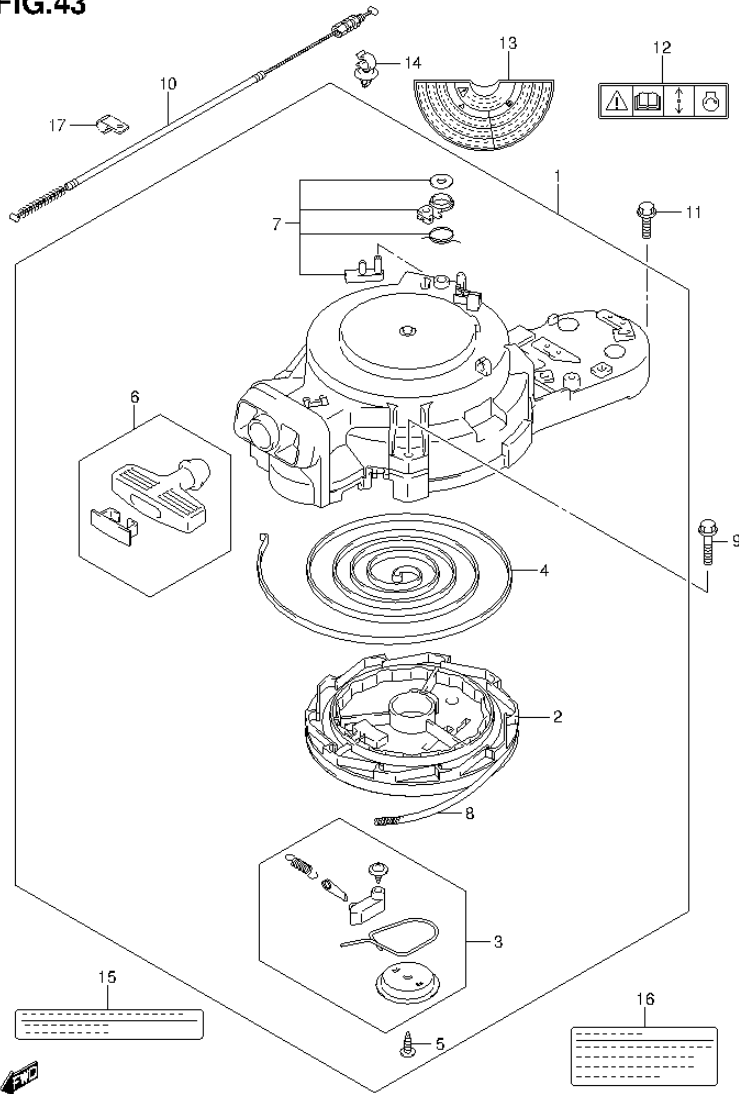


FIG.43 (1-E-3) RECOIL STARTER (DF9.9BT P01)

REF NO.	PART NO.	DESCRIPTION	Q'TY	REMARKS
1	18100-94JM0	STARTER ASSY, RECOIL	1	
2	18121-94JL0	.REEL	1	
3	18130-93E01	.RATCHET SET	1	
4	18142-93E00	.SPRING, SPIRAL	1	
5	18132-89L00	.SCREW, TAPPING	1	
6	18210-93002	.GRIP ASSY	1	
7	18280-93E00	.NSI SET	1	
8	99000-81158-50M	ROPE	1	OPT L:50000->1200
9	01550-06307	BOLT	3	
10	18290-94J01	CABLE ASSY, NSI	1	
11	01550-06207	BOLT	1	
12	69711-93E10	LABEL (S.I.G.P.)	1	
13	61472-94J10	LABEL, RECOIL STARTER	1	
14	09403-12415	CLAMP	1	
15	61493-94J00	LABEL, CLEARANCE	1	
16	61494-94J00	LABEL, OIL	1	
17	09403-12406	CLAMP	1	

FIG.44

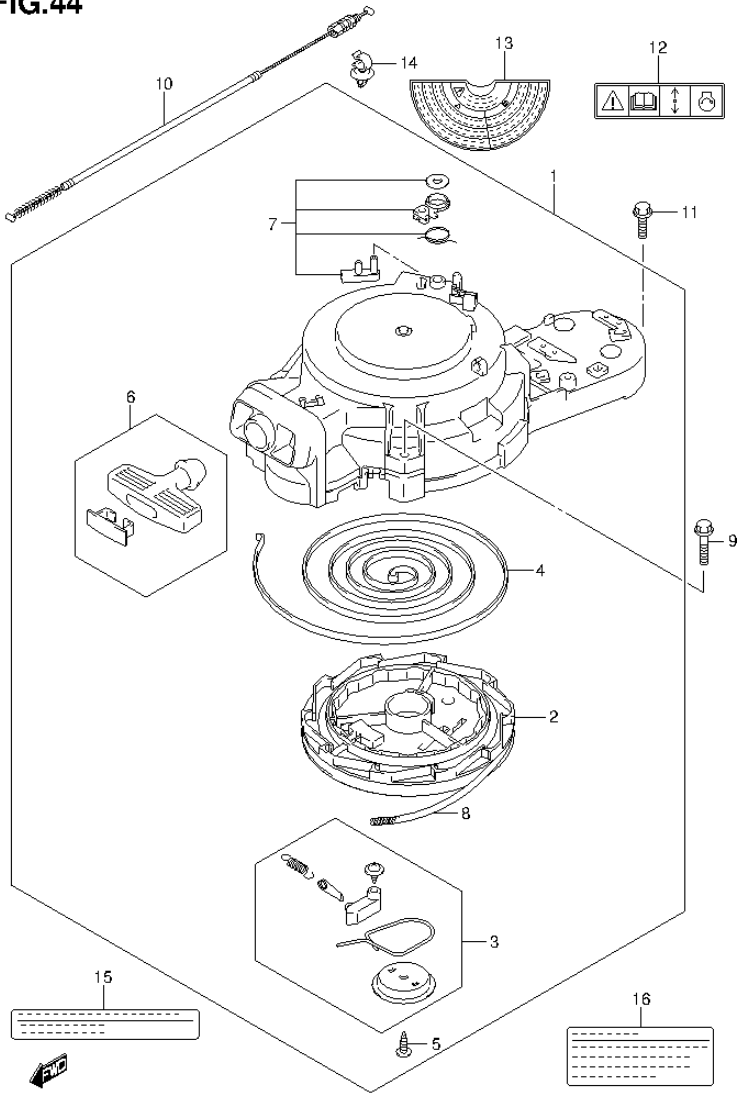


FIG.44 (1-E-4) RECOIL STARTER (DF15A P01)

REF NO.	PART NO.	DESCRIPTION	Q'TY	REMARKS
1	18100-94JM0	STARTER ASSY, RECOIL	1	
2	18121-94JL0	.REEL	1	
3	18130-93E01	.RATCHET SET	1	
4	18142-93E00	.SPRING, SPIRAL	1	
5	18132-89L00	.SCREW, TAPPING	1	
6	18210-93002	.GRIP ASSY	1	
7	18280-93E00	.NSI SET	1	
8	99000-81158-50M	ROPE	1	OPT L:50000->1200
9	01550-06307	BOLT	3	
10	18290-94J01	CABLE ASSY, NSI	1	
11	01550-06207	BOLT	1	
12	69711-93E10	LABEL (S.I.G.P.)	1	
13	61472-94J10	LABEL, RECOIL STARTER	1	
14	09403-12415	CLAMP	1	
15	61493-94J00	LABEL, CLEARANCE	1	
16	61494-94J00	LABEL, OIL	1	

FIG.45

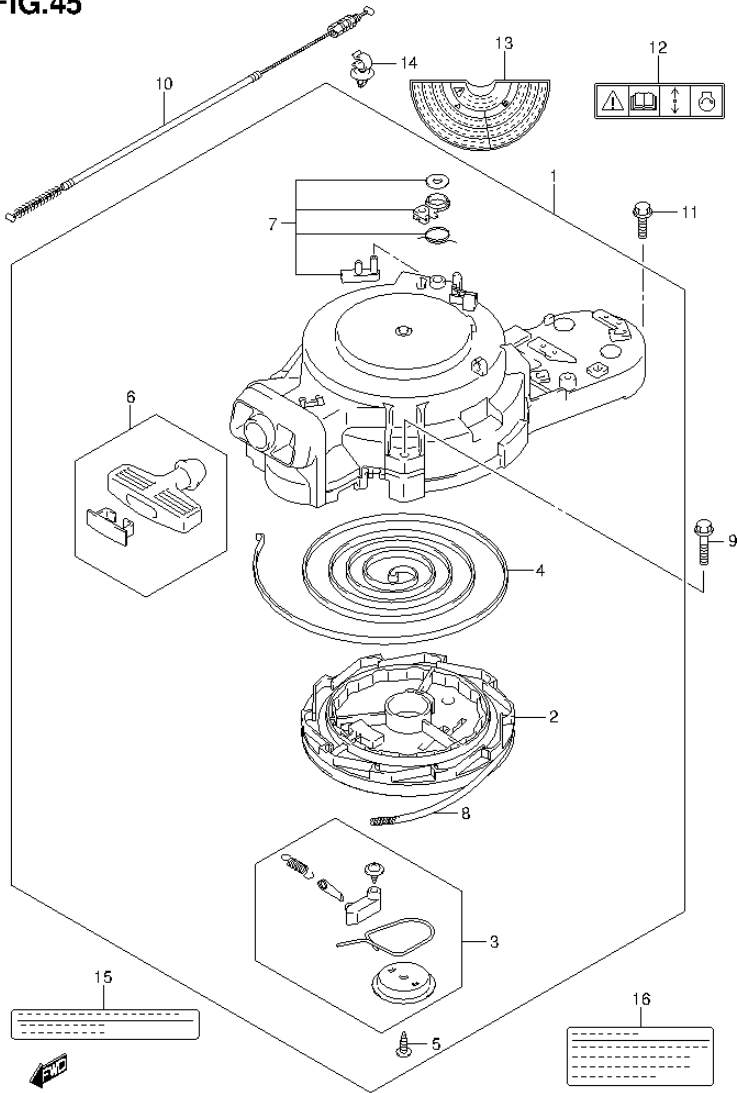


FIG.45 (1-E-5) RECOIL STARTER (DF15AR P01)

REF NO.	PART NO.	DESCRIPTION	Q'TY	REMARKS
1	18100-94JM0	STARTER ASSY, RECOIL	1	
2	18121-94JL0	.REEL	1	
3	18130-93E01	.RATCHET SET	1	
4	18142-93E00	.SPRING, SPIRAL	1	
5	18132-89L00	.SCREW, TAPPING	1	
6	18210-93002	.GRIP ASSY	1	
7	18280-93E00	.NSI SET	1	
8	99000-81158-50M	ROPE	1	OPT L:50000->1200
9	01550-06307	BOLT	3	
10	18290-94J01	CABLE ASSY, NSI	1	
11	01550-06207	BOLT	1	
12	69711-93E10	LABEL (S.I.G.P.)	1	
13	61472-94J10	LABEL, RECOIL STARTER	1	
14	09403-12415	CLAMP	1	
15	61493-94J00	LABEL, CLEARANCE	1	
16	61494-94J00	LABEL, OIL	1	

FIG.46

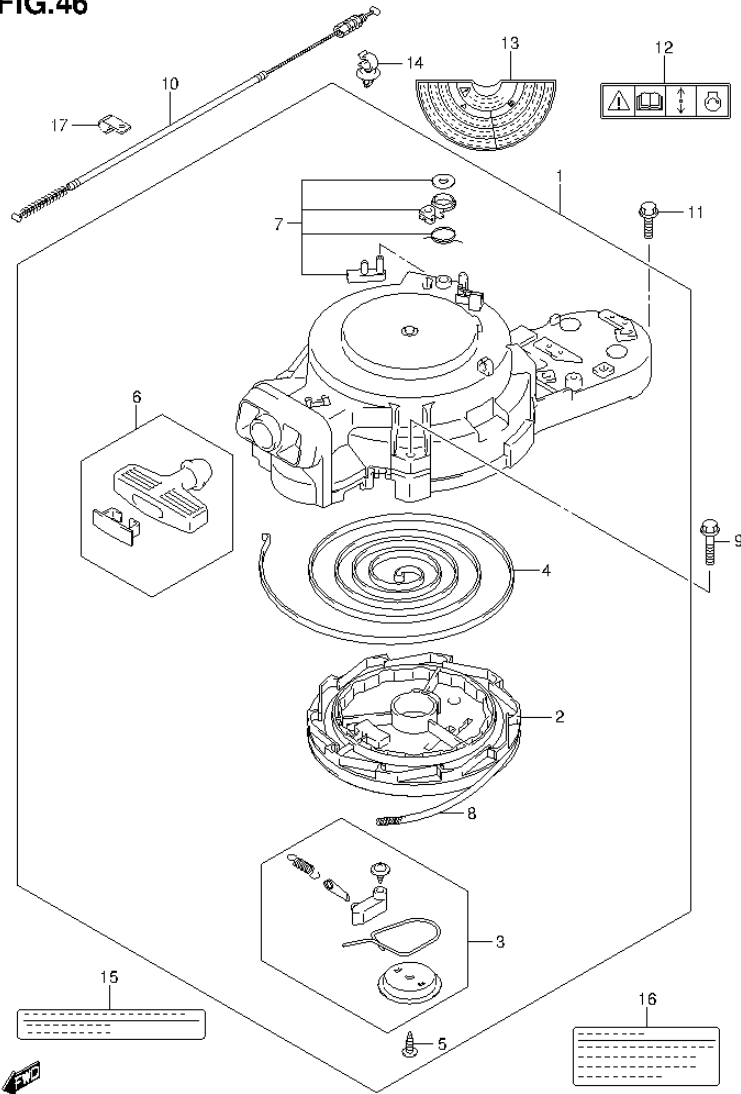


FIG.46 (1-E-6) RECOIL STARTER (DF15ATH P01)

REF NO.	PART NO.	DESCRIPTION	Q'TY	REMARKS
1	18100-94JM0	STARTER ASSY, RECOIL	1	
2	18121-94JL0	.REEL	1	
3	18130-93E01	.RATCHET SET	1	
4	18142-93E00	.SPRING, SPIRAL	1	
5	18132-89L00	.SCREW, TAPPING	1	
6	18210-93002	.GRIP ASSY	1	
7	18280-93E00	.NSI SET	1	
8	99000-81158-50M	ROPE	1	OPT L:50000->1200
9	01550-06307	BOLT	3	
10	18290-94J01	CABLE ASSY, NSI	1	
11	01550-06207	BOLT	1	
12	69711-93E10	LABEL (S.I.G.P.)	1	
13	61472-94J10	LABEL, RECOIL STARTER	1	
14	09403-12415	CLAMP	1	
15	61493-94J00	LABEL, CLEARANCE	1	
16	61494-94J00	LABEL, OIL	1	
17	09403-12406	CLAMP	1	

FIG.47

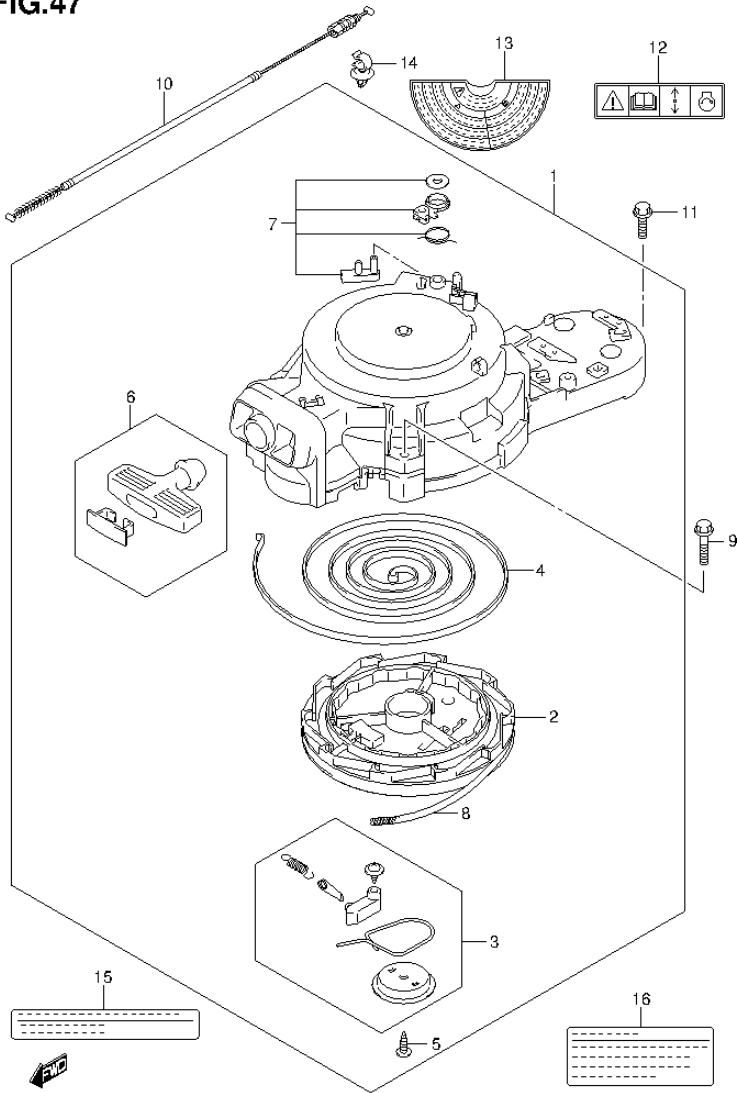


FIG.47 (1-E-7) RECOIL STARTER (DF20A P01)

REF NO.	PART NO.	DESCRIPTION	Q'TY	REMARKS
1	18100-94JM0	STARTER ASSY, RECOIL	1	
2	18121-94JL0	.REEL	1	
3	18130-93E01	.RATCHET SET	1	
4	18142-93E00	.SPRING, SPIRAL	1	
5	18132-89L00	.SCREW, TAPPING	1	
6	18210-93002	.GRIP ASSY	1	
7	18280-93E00	.NSI SET	1	
8	99000-81158-50M	ROPE	1	OPT L:50000->1200
9	01550-06307	BOLT	3	
10	18290-94J01	CABLE ASSY, NSI	1	
11	01550-06207	BOLT	1	
12	69711-93E10	LABEL (S.I.G.P.)	1	
13	61472-94J10	LABEL, RECOIL STARTER	1	
14	09403-12415	CLAMP	1	
15	61493-94J00	LABEL, CLEARANCE	1	
16	61494-94J00	LABEL, OIL	1	

FIG.48

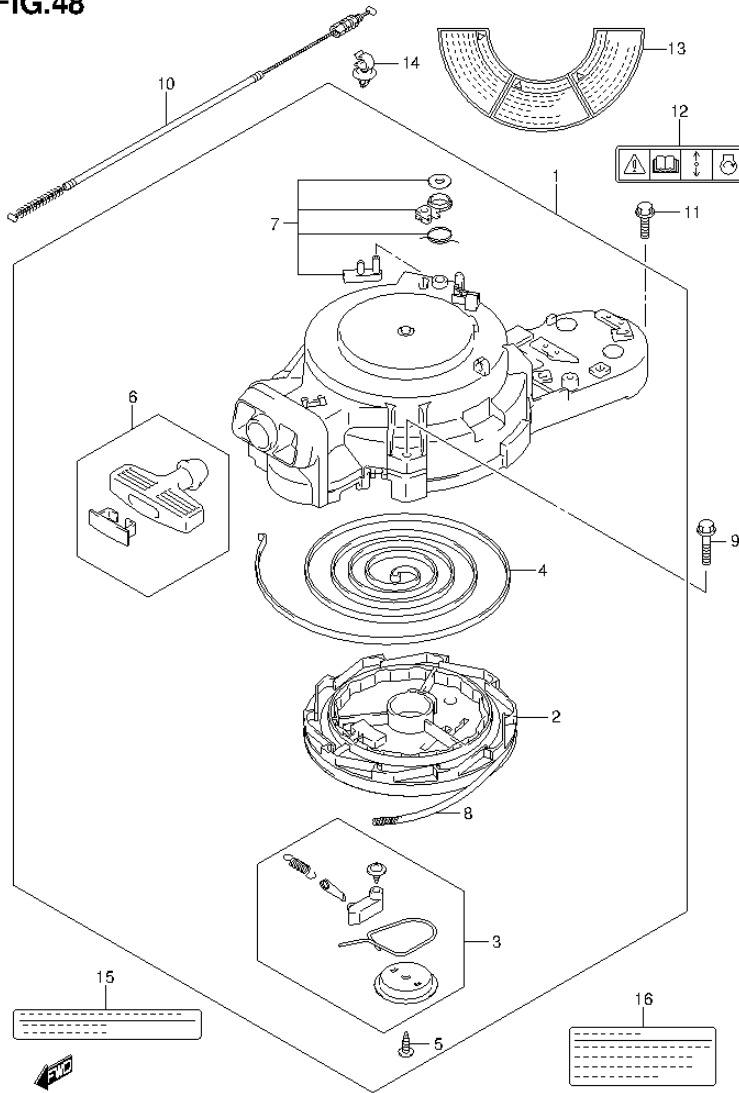


FIG.48 (1-E-8) RECOIL STARTER (DF20A P40)

REF NO.	PART NO.	DESCRIPTION	Q'TY	REMARKS
1	18100-94JM0	STARTER ASSY, RECOIL	1	
2	18121-94JL0	.REEL	1	
3	18130-93E01	.RATCHET SET	1	
4	18142-93E00	.SPRING, SPIRAL	1	
5	18132-89L00	.SCREW, TAPPING	1	
6	18210-93002	.GRIP ASSY	1	
7	18280-93E00	.NSI SET	1	
8	99000-81158-50M	ROPE	1	OPT L:50000->1200
9	01550-06307	BOLT	3	
10	18290-94J01	CABLE ASSY, NSI	1	
11	01550-06207	BOLT	1	
12	69711-93E10	LABEL (S.I.G.P.)	1	
13	61472-94J00	LABEL, RECOIL STARTER	1	
14	09403-12415	CLAMP	1	
15	61493-94J00	LABEL, CLEARANCE	1	
16	61494-94J00	LABEL, OIL	1	

FIG.49

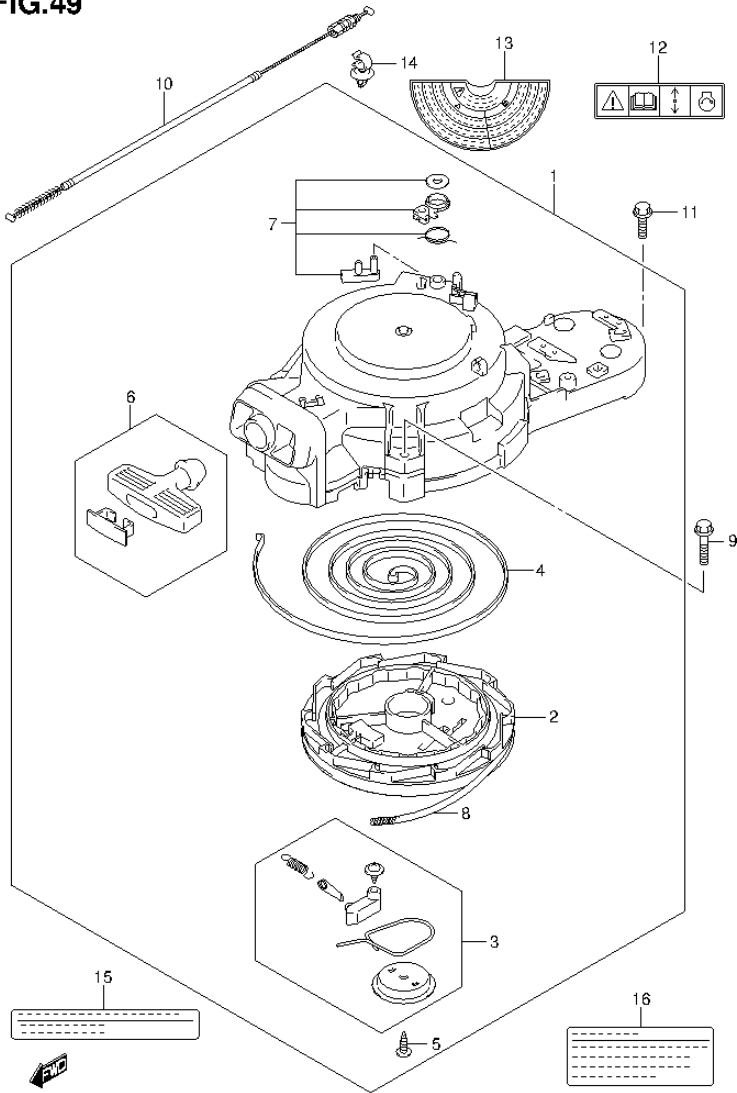


FIG.49 (1-E-9) RECOIL STARTER (DF20AR P01)

REF NO.	PART NO.	DESCRIPTION	Q'TY	REMARKS
1	18100-94JM0	STARTER ASSY, RECOIL	1	
2	18121-94JL0	.REEL	1	
3	18130-93E01	.RATCHET SET	1	
4	18142-93E00	.SPRING, SPIRAL	1	
5	18132-89L00	.SCREW, TAPPING	1	
6	18210-93002	.GRIP ASSY	1	
7	18280-93E00	.NSI SET	1	
8	99000-81158-50M	ROPE	1	OPT L:50000->1200
9	01550-06307	BOLT	3	
10	18290-94J01	CABLE ASSY, NSI	1	
11	01550-06207	BOLT	1	
12	69711-93E10	LABEL (S.I.G.P.)	1	
13	61472-94J10	LABEL, RECOIL STARTER	1	
14	09403-12415	CLAMP	1	
15	61493-94J00	LABEL, CLEARANCE	1	
16	61494-94J00	LABEL, OIL	1	

FIG.50

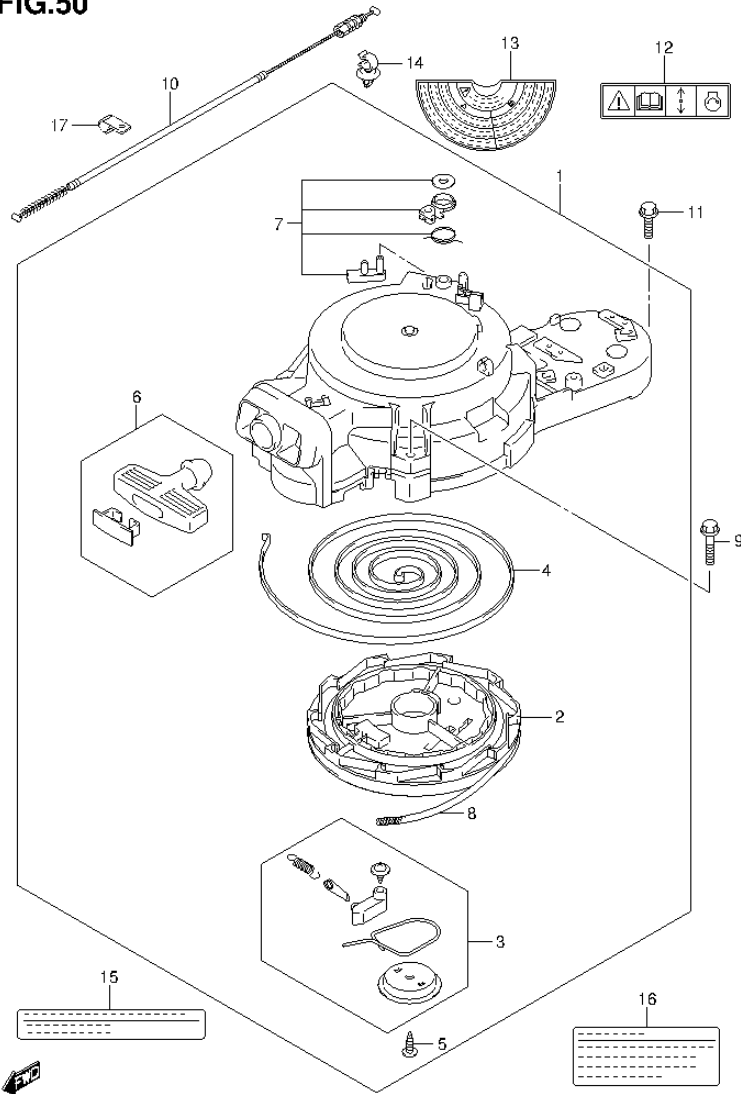


FIG.50 (1-E-10) RECOIL STARTER (DF20AT P01)

REF NO.	PART NO.	DESCRIPTION	Q'TY	REMARKS
1	18100-94JM0	STARTER ASSY, RECOIL	1	
2	18121-94JL0	.REEL	1	
3	18130-93E01	.RATCHET SET	1	
4	18142-93E00	.SPRING, SPIRAL	1	
5	18132-89L00	.SCREW, TAPPING	1	
6	18210-93002	.GRIP ASSY	1	
7	18280-93E00	.NSI SET	1	
8	99000-81158-50M	ROPE	1	OPT L:50000->1200
9	01550-06307	BOLT	3	
10	18290-94J01	CABLE ASSY, NSI	1	
11	01550-06207	BOLT	1	
12	69711-93E10	LABEL (S.I.G.P.)	1	
13	61472-94J10	LABEL, RECOIL STARTER	1	
14	09403-12415	CLAMP	1	
15	61493-94J00	LABEL, CLEARANCE	1	
16	61494-94J00	LABEL, OIL	1	
17	09403-12406	CLAMP	1	



FIG.51

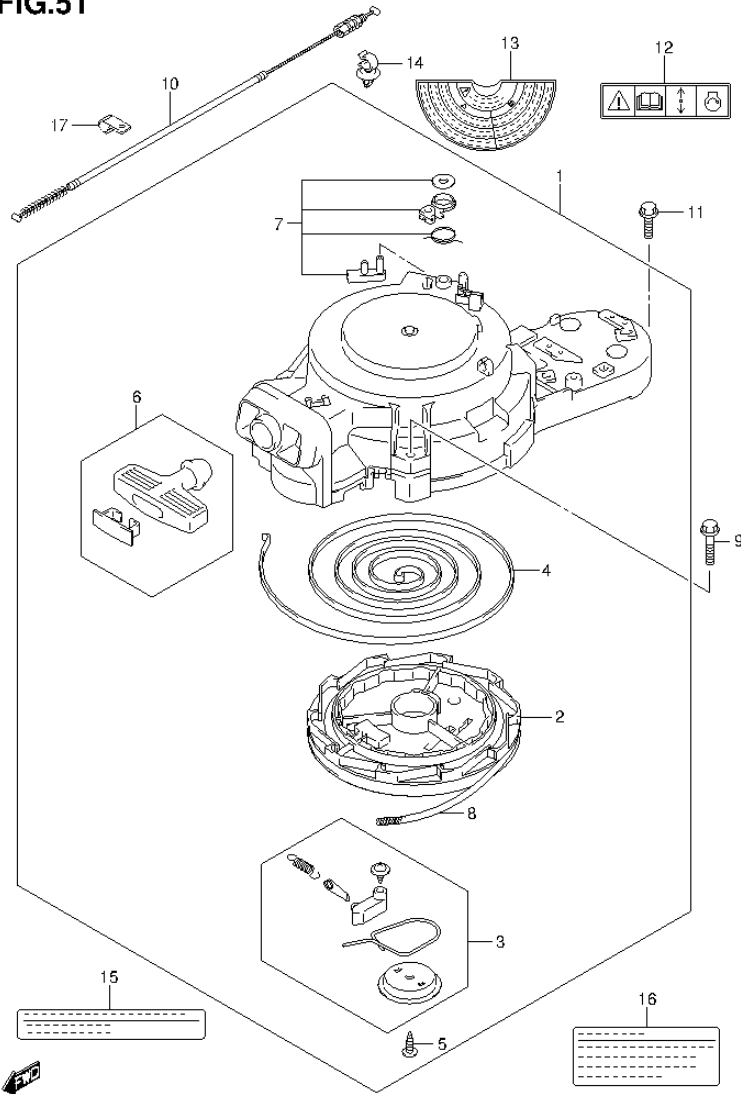


FIG.51 (1-E-11) RECOIL STARTER (DF20ATH P01)

REF NO.	PART NO.	DESCRIPTION	Q'TY	REMARKS
1	18100-94JM0	STARTER ASSY, RECOIL	1	
2	18121-94JL0	.REEL	1	
3	18130-93E01	.RATCHET SET	1	
4	18142-93E00	.SPRING, SPIRAL	1	
5	18132-89L00	.SCREW, TAPPING	1	
6	18210-93002	.GRIP ASSY	1	
7	18280-93E00	.NSI SET	1	
8	99000-81158-50M	ROPE	1	OPT L:50000->1200
9	01550-06307	BOLT	3	
10	18290-94J01	CABLE ASSY, NSI	1	
11	01550-06207	BOLT	1	
12	69711-93E10	LABEL (S.I.G.P.)	1	
13	61472-94J10	LABEL, RECOIL STARTER	1	
14	09403-12415	CLAMP	1	
15	61493-94J00	LABEL, CLEARANCE	1	
16	61494-94J00	LABEL, OIL	1	
17	09403-12406	CLAMP	1	

FIG.52

FIG.52 (1-E-12) THROTTLE CONTROL (DF9.9BR P01)

REF NO.	PART NO.	DESCRIPTION	Q'TY	REMARKS
1	13513-89L10	ROD, THROTTLE	1	
2	19120-99J10	LEVER, THROTTLE CONTROL	1	
3	19122-99J00	LEVER, INTERLINK THROTTLE NO.2	1	
4	19131-89L00	CONNECTOR	2	
5	19148-89L10	LEVER, INTERLINK THROTTLE NO.1	1	
6	19150-89L00	BRACKET, THROTTLE LEVER	1	
7	19185-99J00	SPRING, THROTTLE LEVER	1	
8	09160-06046	WASHER (6.5X20X1.5)	1	
9	01550-06127	BOLT	1	
10	01550-06167	BOLT	2	
11	67467-89J01	CONNECTOR	1	
12	09160-06055	WASHER (7X12X1)	1	
13	09385-06012	CLIP	1	

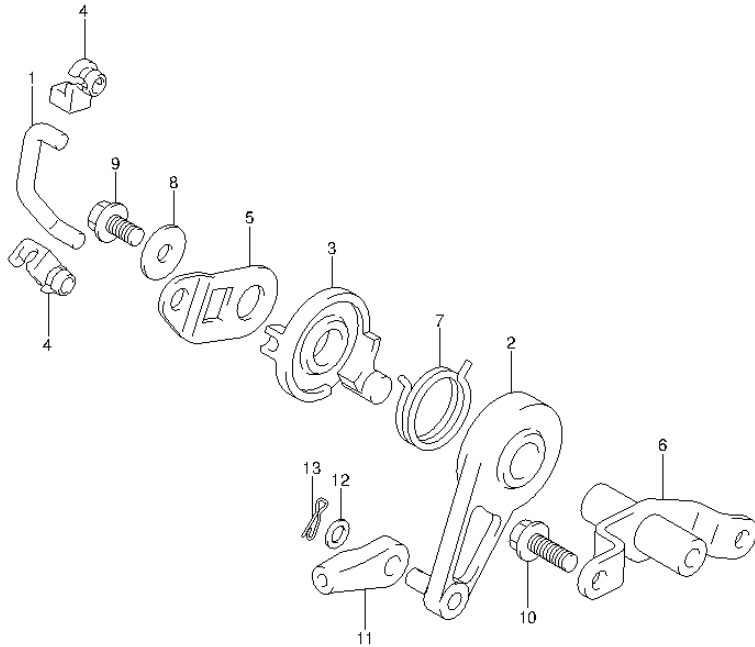


FIG.53

FIG.53 (1-E-13) THROTTLE CONTROL (DF9.9BT P01)

REF NO.	PART NO.	DESCRIPTION	Q'TY	REMARKS
1	13513-89L10	ROD, THROTTLE	1	
2	19120-99J10	LEVER, THROTTLE CONTROL	1	
3	19122-99J00	LEVER, INTERLINK THROTTLE NO.2	1	
4	19131-89L00	CONNECTOR	2	
5	19148-89L10	LEVER, INTERLINK THROTTLE NO.1	1	
6	19150-89L00	BRACKET, THROTTLE LEVER	1	
7	19185-99J00	SPRING, THROTTLE LEVER	1	
8	09160-06046	WASHER (6.5X20X1.5)	1	
9	01550-06127	BOLT	1	
10	01550-06167	BOLT	2	
11	67467-89J01	CONNECTOR	1	
12	09160-06055	WASHER (7X12X1)	1	
13	09385-06012	CLIP	1	

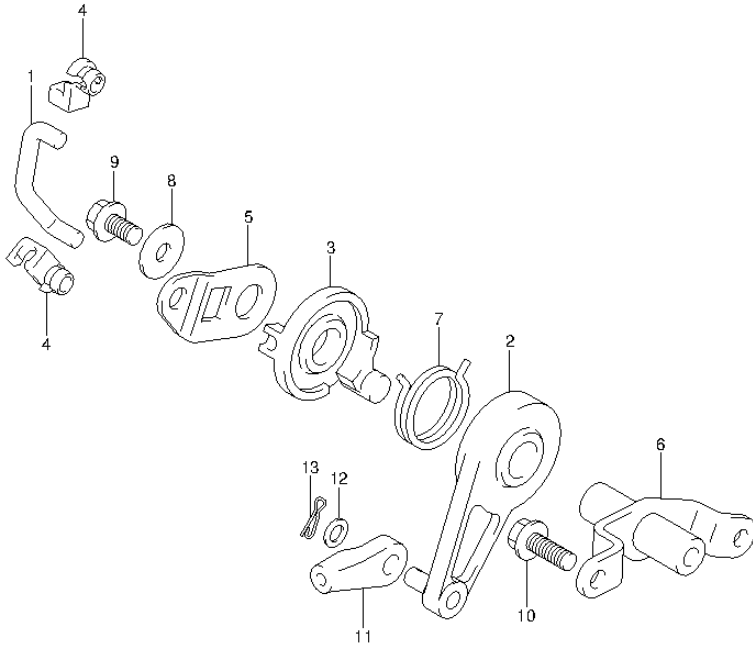


FIG.54

FIG.54 (1-E-14) THROTTLE CONTROL (DF15AR P01)

REF NO.	PART NO.	DESCRIPTION	Q'TY	REMARKS
1	13513-89L10	ROD, THROTTLE	1	
2	19120-99J10	LEVER, THROTTLE CONTROL	1	
3	19122-99J00	LEVER, INTERLINK THROTTLE NO.2	1	
4	19131-89L00	CONNECTOR	2	
5	19148-89L10	LEVER, INTERLINK THROTTLE NO.1	1	
6	19150-89L00	BRACKET, THROTTLE LEVER	1	
7	19185-99J00	SPRING, THROTTLE LEVER	1	
8	09160-06046	WASHER (6.5X20X1.5)	1	
9	01550-06127	BOLT	1	
10	01550-06167	BOLT	2	
11	67467-89J01	CONNECTOR	1	
12	09160-06055	WASHER (7X12X1)	1	
13	09385-06012	CLIP	1	

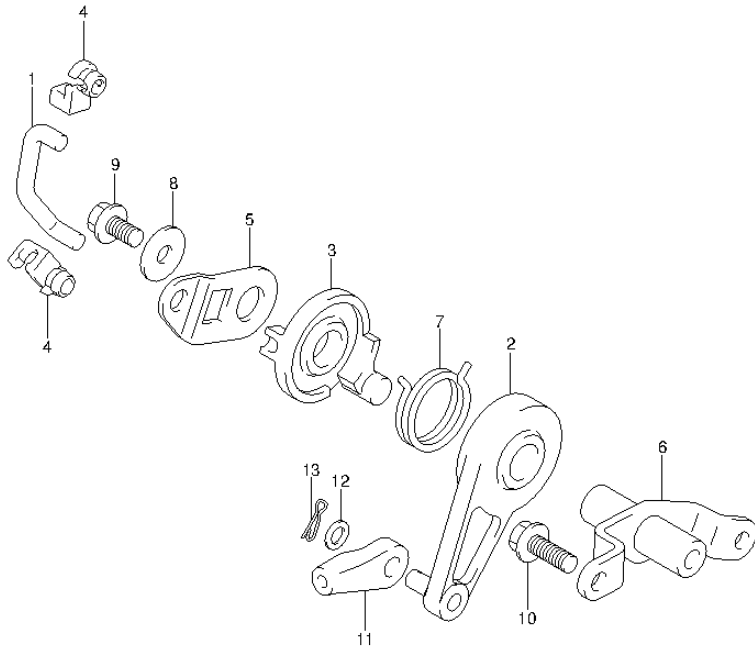
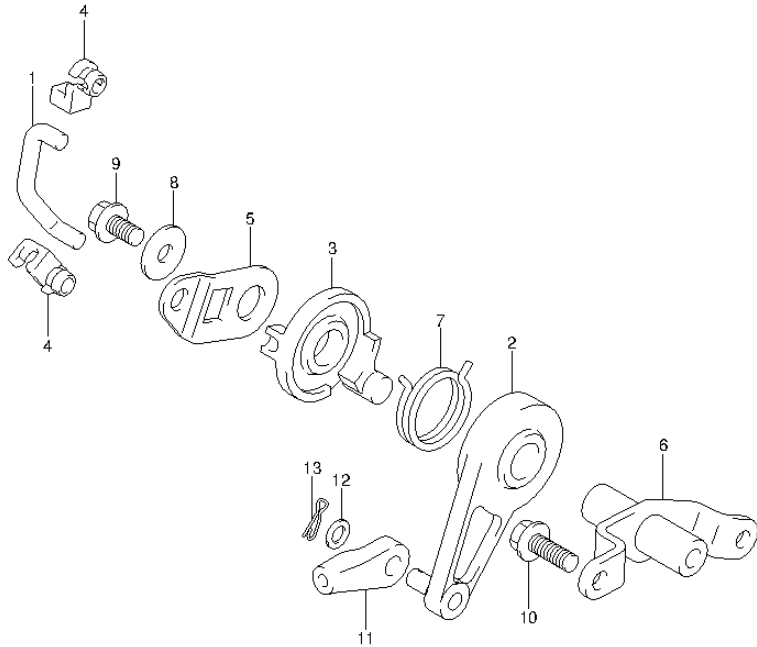


FIG.55

FIG.55 (1-E-15) THROTTLE CONTROL (DF20AR P01)



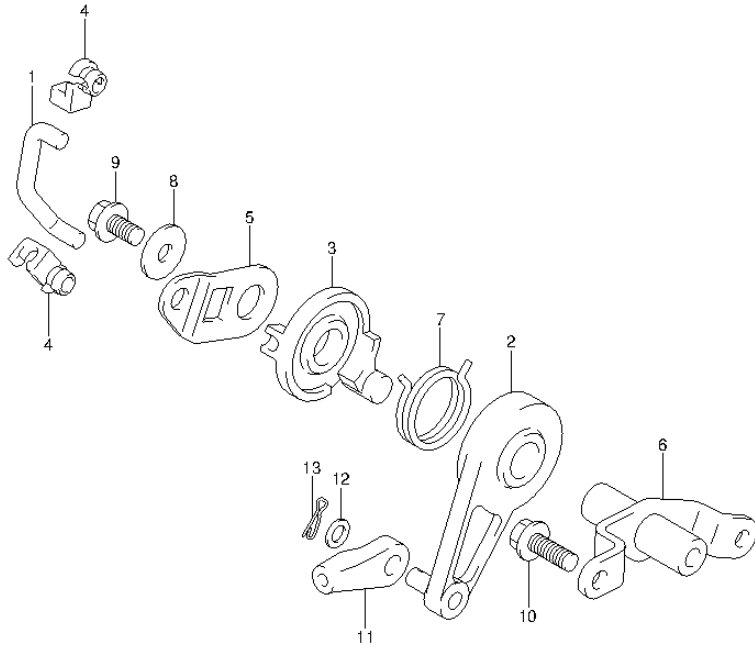
REF NO.	PART NO.	DESCRIPTION	Q'TY	REMARKS
1	13513-89L10	ROD, THROTTLE	1	
2	19120-99J10	LEVER, THROTTLE CONTROL	1	
3	19122-99J00	LEVER, INTERLINK THROTTLE NO.2	1	
4	19131-89L00	CONNECTOR	2	
5	19148-89L10	LEVER, INTERLINK THROTTLE NO.1	1	
6	19150-89L00	BRACKET, THROTTLE LEVER	1	
7	19185-99J00	SPRING, THROTTLE LEVER	1	
8	09160-06046	WASHER (6.5X20X1.5)	1	
9	01550-06127	BOLT	1	
10	01550-06167	BOLT	2	
11	67467-89J01	CONNECTOR	1	
12	09160-06055	WASHER (7X12X1)	1	
13	09385-06012	CLIP	1	



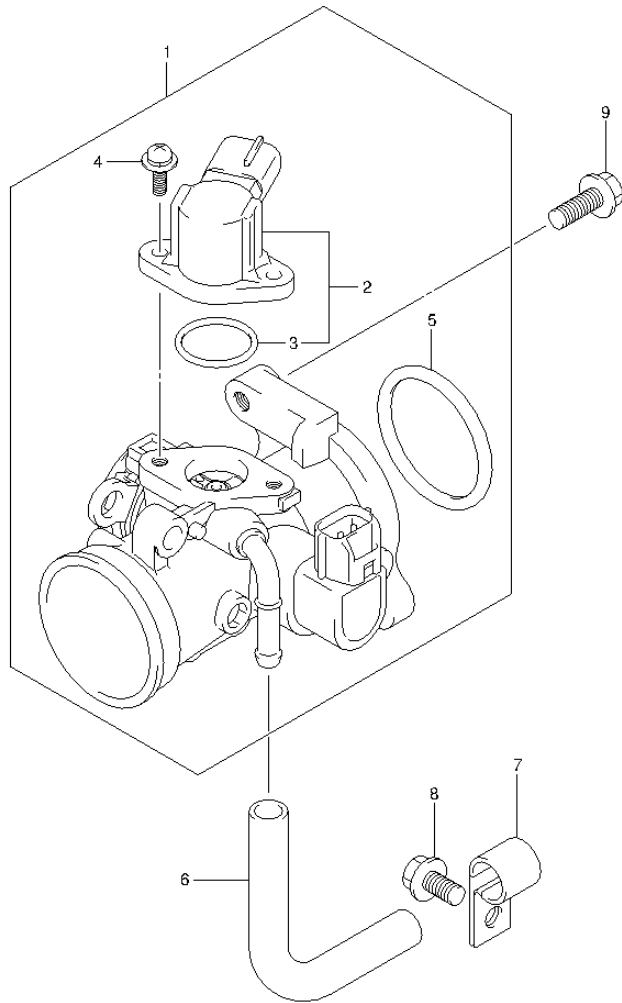
FIG.56

FIG.56 (1-F-2) THROTTLE CONTROL (DF20AT P01)

REF NO.	PART NO.	DESCRIPTION	Q'TY	REMARKS
1	13513-89L10	ROD, THROTTLE	1	
2	19120-99J10	LEVER, THROTTLE CONTROL	1	
3	19122-99J00	LEVER, INTERLINK THROTTLE NO.2	1	
4	19131-89L00	CONNECTOR	2	
5	19148-89L10	LEVER, INTERLINK THROTTLE NO.1	1	
6	19150-89L00	BRACKET, THROTTLE LEVER	1	
7	19185-99J00	SPRING, THROTTLE LEVER	1	
8	09160-06046	WASHER (6.5X20X1.5)	1	
9	01550-06127	BOLT	1	
10	01550-06167	BOLT	2	
11	67467-89J01	CONNECTOR	1	
12	09160-06055	WASHER (7X12X1)	1	
13	09385-06012	CLIP	1	



**FIG.57**



**FIG.57 (1-F-3) THROTTLE BODY (DF9.9B P01)**

REF NO.	PART NO.	DESCRIPTION	Q'TY	REMARKS
1	13300-89L00	BODY ASSY, THROTTLE	1	
2	13420-16HA0	.SOLENOID ASSY	1	
3	13425-33G00	..O RING	1	
4	13326-89L00	.SCREW	2	
5	13421-89L00	.O RING, FLANGE	1	
6	15211-91J00-130	HOSE, IAC	1	
7	09403-12406	CLAMP	1	
8	01550-06127	BOLT	1	
9	01550-06207	BOLT	2	

FIG.58

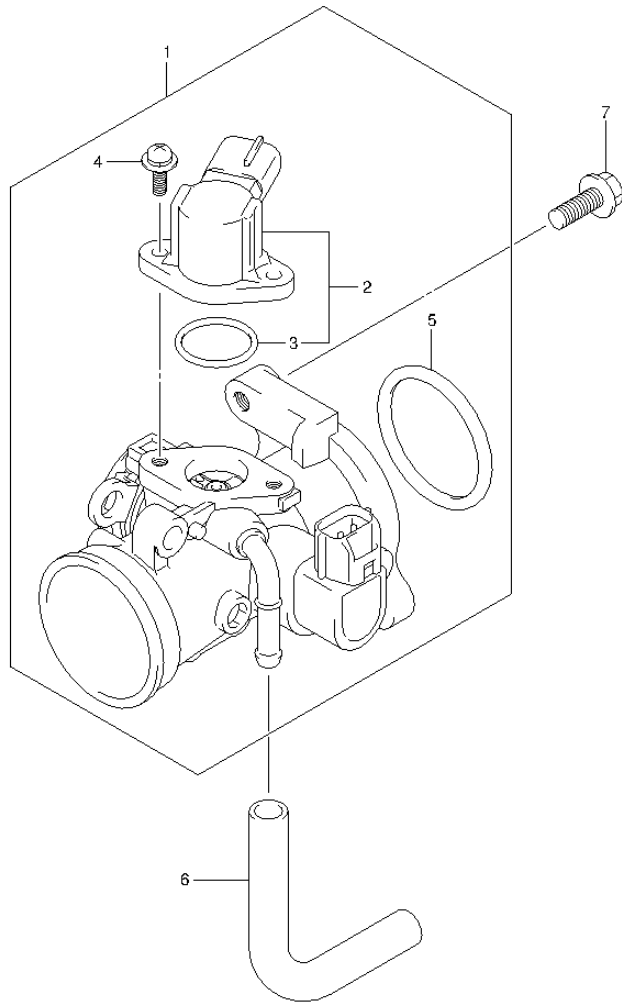
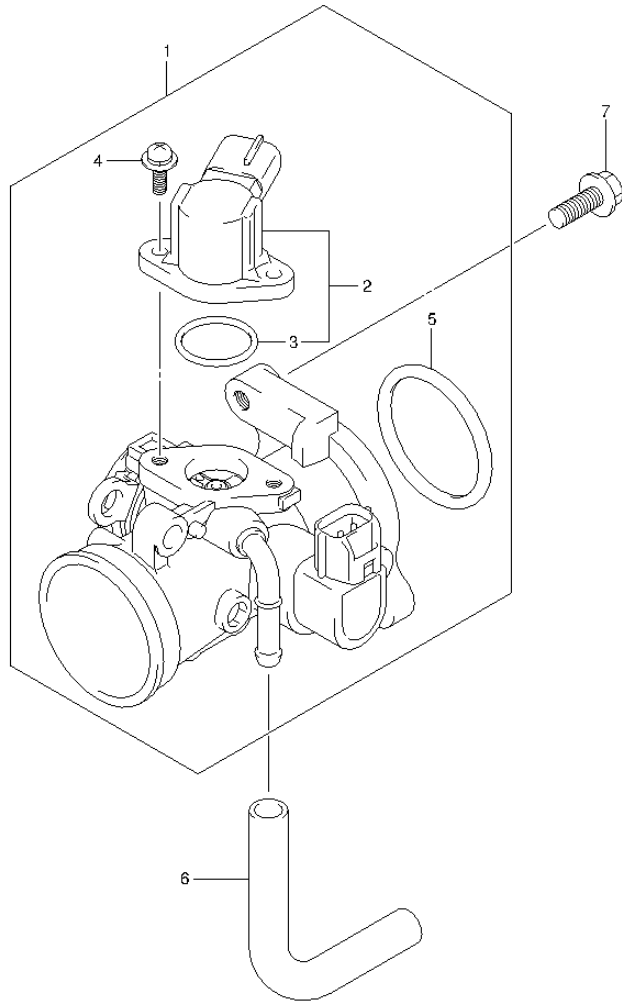


FIG.58 (1-F-4) THROTTLE BODY (DF9.9BR P01)

REF NO.	PART NO.	DESCRIPTION	Q'TY	REMARKS
1	13300-89L10	BODY ASSY, THROTTLE	1	
2	13420-16HA0	.SOLENOID ASSY	1	
3	13425-33G00	..O RING	1	
4	13326-89L00	.SCREW	2	
5	13421-89L00	.O RING, FLANGE	1	
6	15211-91J00-130	HOSE, IAC	1	
7	01550-06207	BOLT	2	



**FIG.59**



**FIG.59 (1-F-5) THROTTLE BODY (DF9.9BT P01)**

REF NO.	PART NO.	DESCRIPTION	Q'TY	REMARKS
1	13300-89L10	BODY ASSY, THROTTLE	1	
2	13420-16HA0	.SOLENOID ASSY	1	
3	13425-33G00	..O RING	1	
4	13326-89L00	.SCREW	2	
5	13421-89L00	.O RING, FLANGE	1	
6	15211-91J00-130	HOSE, IAC	1	
7	01550-06207	BOLT	2	

FIG.60

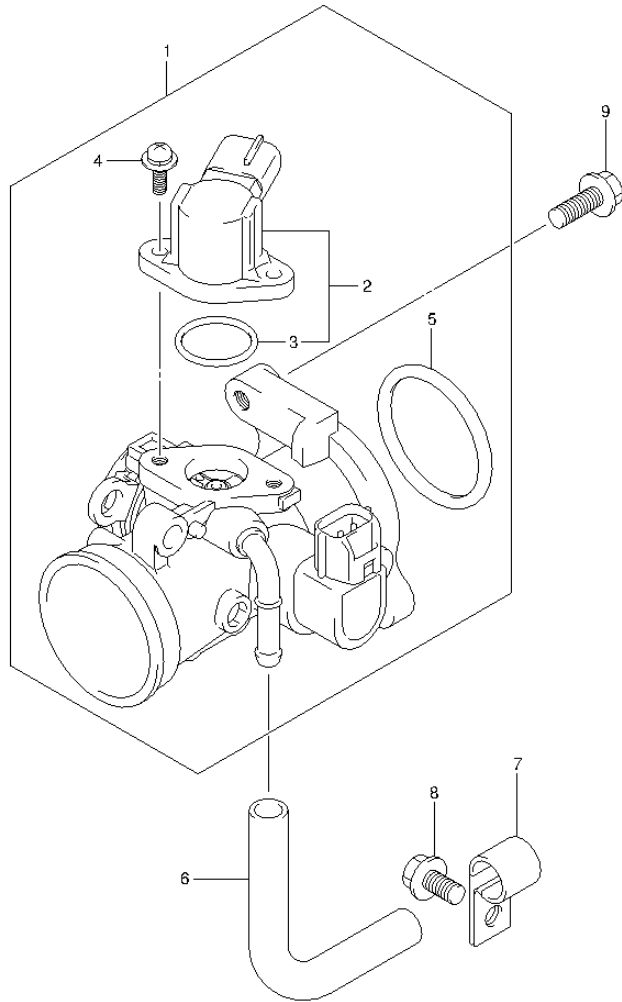
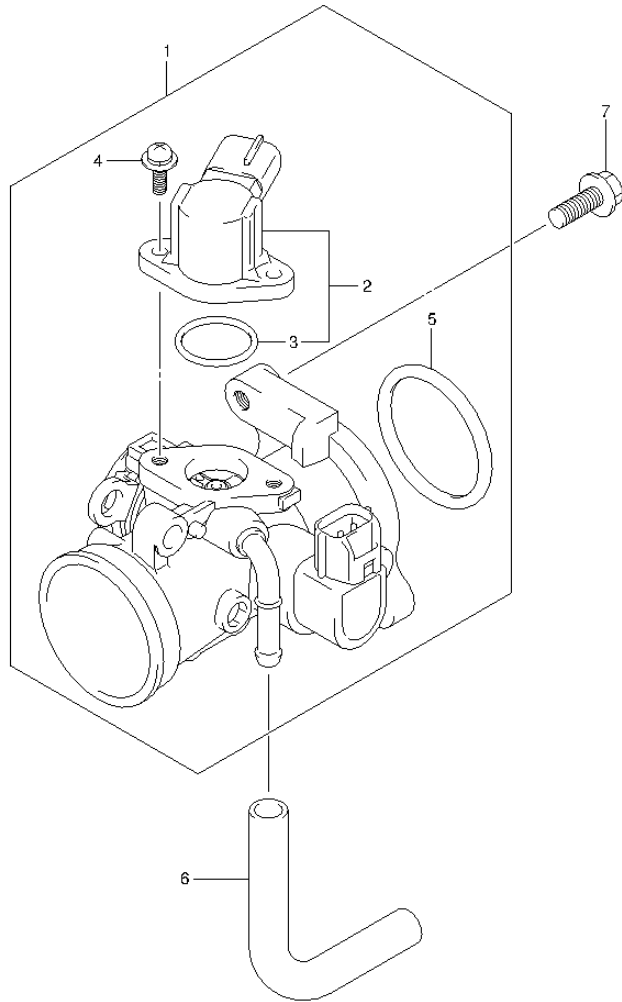


FIG.60 (1-F-6) THROTTLE BODY (DF15A P01)

REF NO.	PART NO.	DESCRIPTION	Q'TY	REMARKS
1	13300-89L00	BODY ASSY, THROTTLE	1	
2	13420-16HA0	.SOLENOID ASSY	1	
3	13425-33G00	..O RING	1	
4	13326-89L00	.SCREW	2	
5	13421-89L00	.O RING, FLANGE	1	
6	15211-91J00-130	HOSE, IAC	1	
7	09403-12406	CLAMP	1	
8	01550-06127	BOLT	1	
9	01550-06207	BOLT	2	

**FIG.61**



**FIG.61 (1-F-7) THROTTLE BODY (DF15AR P01)**

REF NO.	PART NO.	DESCRIPTION	Q'TY	REMARKS
1	13300-89L10	BODY ASSY, THROTTLE	1	
2	13420-16HA0	.SOLENOID ASSY	1	
3	13425-33G00	..O RING	1	
4	13326-89L00	.SCREW	2	
5	13421-89L00	.O RING, FLANGE	1	
6	15211-91J00-130	HOSE, IAC	1	
7	01550-06207	BOLT	2	

FIG.62

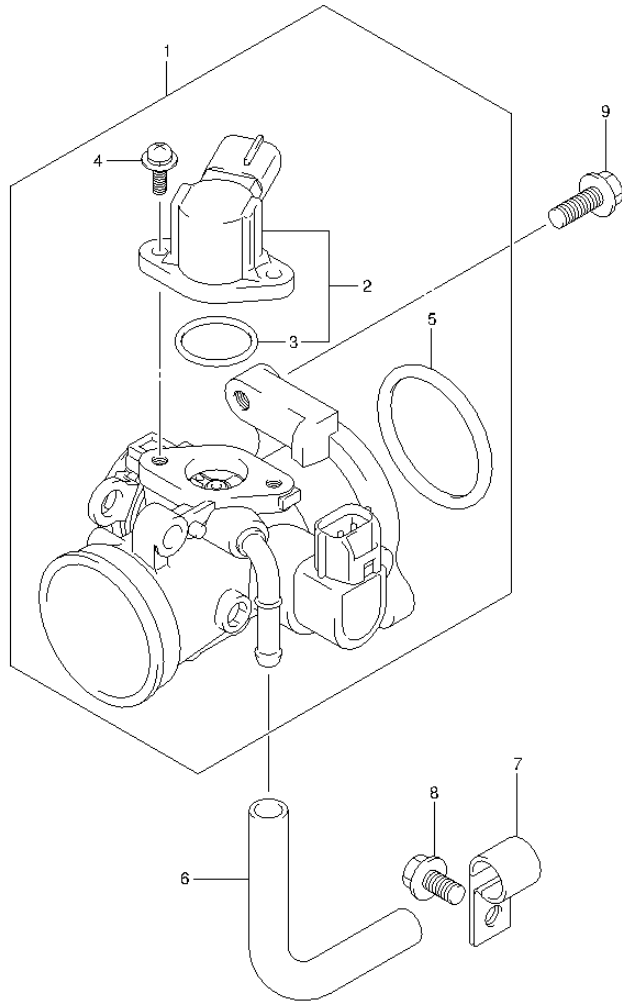


FIG.62 (1-F-8) THROTTLE BODY (DF15ATH P01)

REF NO.	PART NO.	DESCRIPTION	Q'TY	REMARKS
1	13300-89L00	BODY ASSY, THROTTLE	1	
2	13420-16HA0	.SOLENOID ASSY	1	
3	13425-33G00	..O RING	1	
4	13326-89L00	.SCREW	2	
5	13421-89L00	.O RING, FLANGE	1	
6	15211-91J00-130	HOSE, IAC	1	
7	09403-12406	CLAMP	1	
8	01550-06127	BOLT	1	
9	01550-06207	BOLT	2	

FIG.63

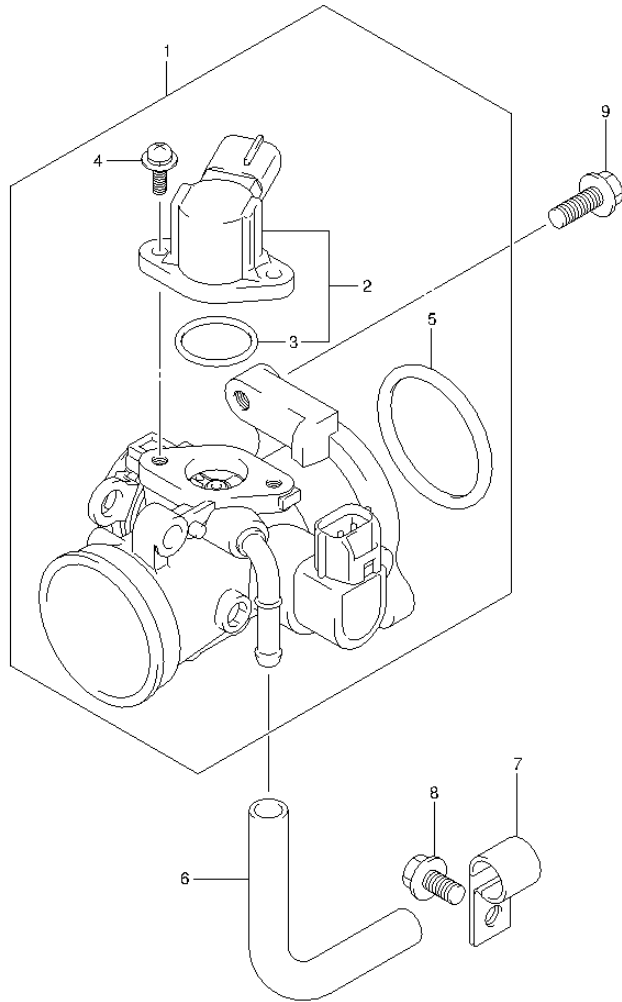


FIG.63 (1-F-9) THROTTLE BODY (DF20A P01)

REF NO.	PART NO.	DESCRIPTION	Q'TY	REMARKS
1	13300-89L00	BODY ASSY, THROTTLE	1	
2	13420-16HA0	.SOLENOID ASSY	1	
3	13425-33G00	..O RING	1	
4	13326-89L00	.SCREW	2	
5	13421-89L00	.O RING, FLANGE	1	
6	15211-91J00-130	HOSE, IAC	1	
7	09403-12406	CLAMP	1	
8	01550-06127	BOLT	1	
9	01550-06207	BOLT	2	

FIG.64

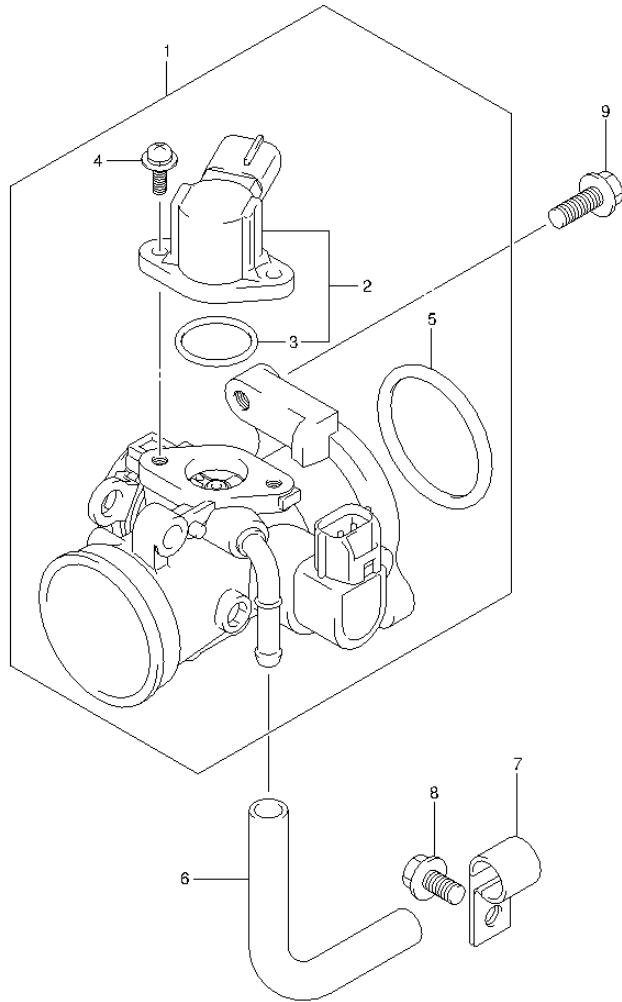
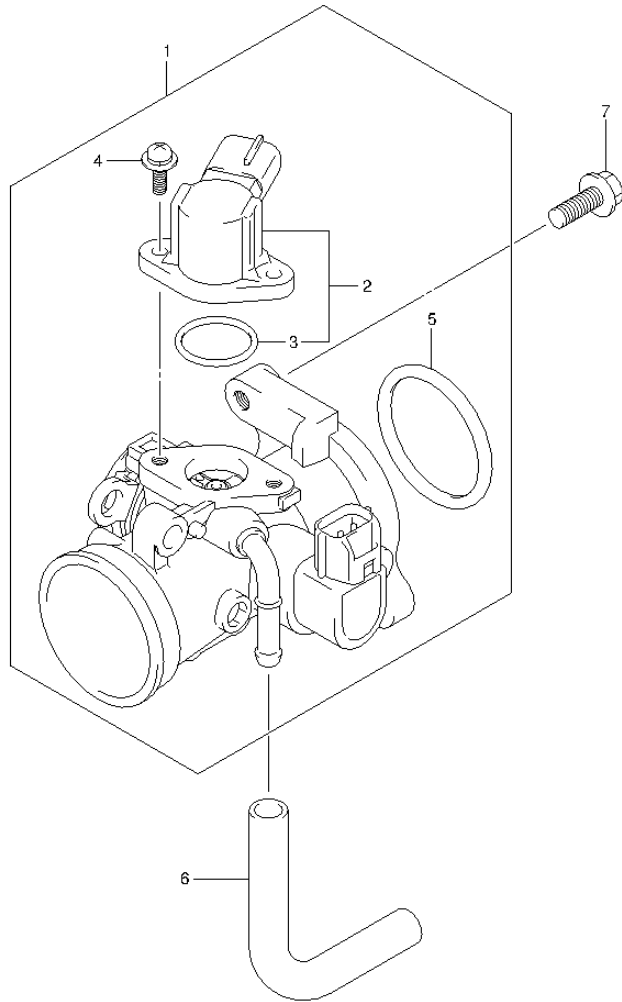


FIG.64 (1-F-10) THROTTLE BODY (DF20A P40)

REF NO.	PART NO.	DESCRIPTION	Q'TY	REMARKS
1	13300-89L00	BODY ASSY, THROTTLE	1	
2	13420-16HA0	.SOLENOID ASSY	1	
3	13425-33G00	..O RING	1	
4	13326-89L00	.SCREW	2	
5	13421-89L00	.O RING, FLANGE	1	
6	15211-91J00-130	HOSE, IAC	1	
7	09403-12406	CLAMP	1	
8	01550-06127	BOLT	1	
9	01550-06207	BOLT	2	

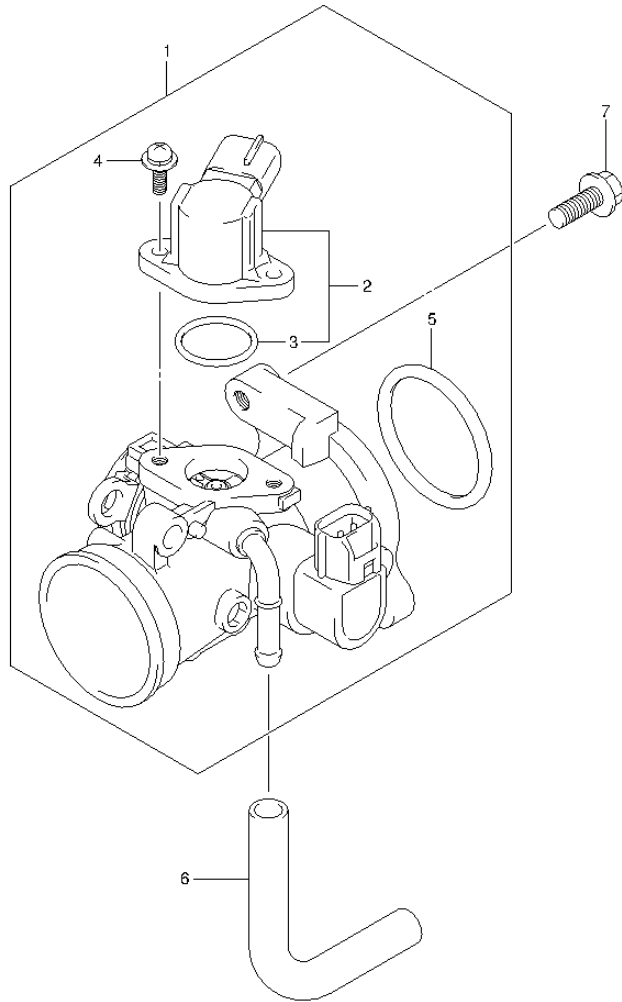
**FIG.65**



**FIG.65 (1-F-11) THROTTLE BODY (DF20AR P01)**

REF NO.	PART NO.	DESCRIPTION	Q'TY	REMARKS
1	13300-89L10	BODY ASSY, THROTTLE	1	
2	13420-16HA0	.SOLENOID ASSY	1	
3	13425-33G00	..O RING	1	
4	13326-89L00	.SCREW	2	
5	13421-89L00	.O RING, FLANGE	1	
6	15211-91J00-130	HOSE, IAC	1	
7	01550-06207	BOLT	2	

**FIG.66**



**FIG.66 (1-F-12) THROTTLE BODY (DF20AT P01)**

REF NO.	PART NO.	DESCRIPTION	Q'TY	REMARKS
1	13300-89L10	BODY ASSY, THROTTLE	1	
2	13420-16HA0	.SOLENOID ASSY	1	
3	13425-33G00	..O RING	1	
4	13326-89L00	.SCREW	2	
5	13421-89L00	.O RING, FLANGE	1	
6	15211-91J00-130	HOSE, IAC	1	
7	01550-06207	BOLT	2	



FIG.67

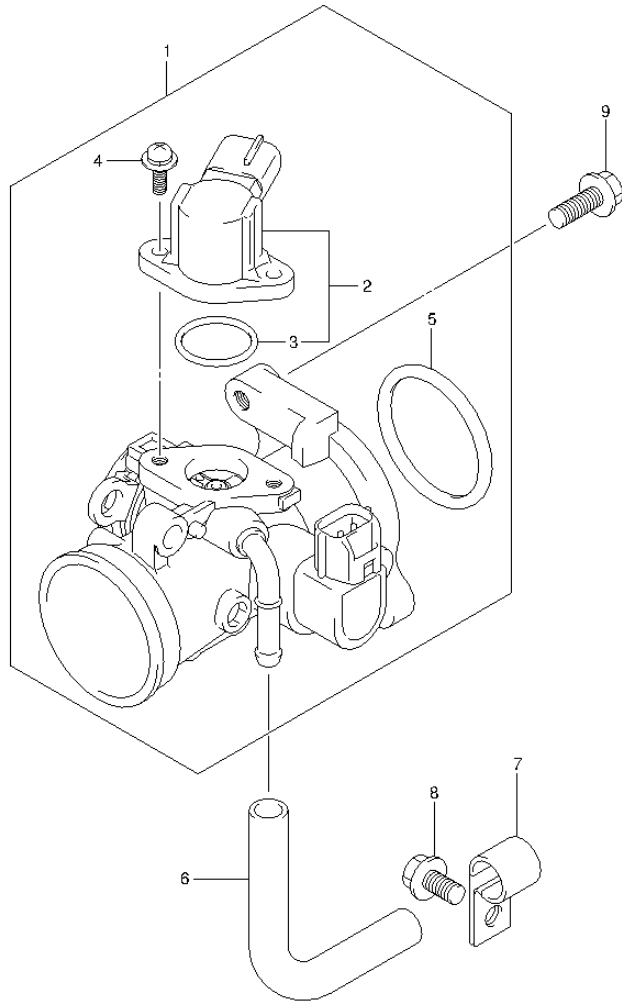


FIG.67 (1-F-13) THROTTLE BODY (DF20ATH P01)

REF NO.	PART NO.	DESCRIPTION	Q'TY	REMARKS
1	13300-89L00	BODY ASSY, THROTTLE	1	
2	13420-16HA0	.SOLENOID ASSY	1	
3	13425-33G00	..O RING	1	
4	13326-89L00	.SCREW	2	
5	13421-89L00	.O RING, FLANGE	1	
6	15211-91J00-130	HOSE, IAC	1	
7	09403-12406	CLAMP	1	
8	01550-06127	BOLT	1	
9	01550-06207	BOLT	2	

FIG.68

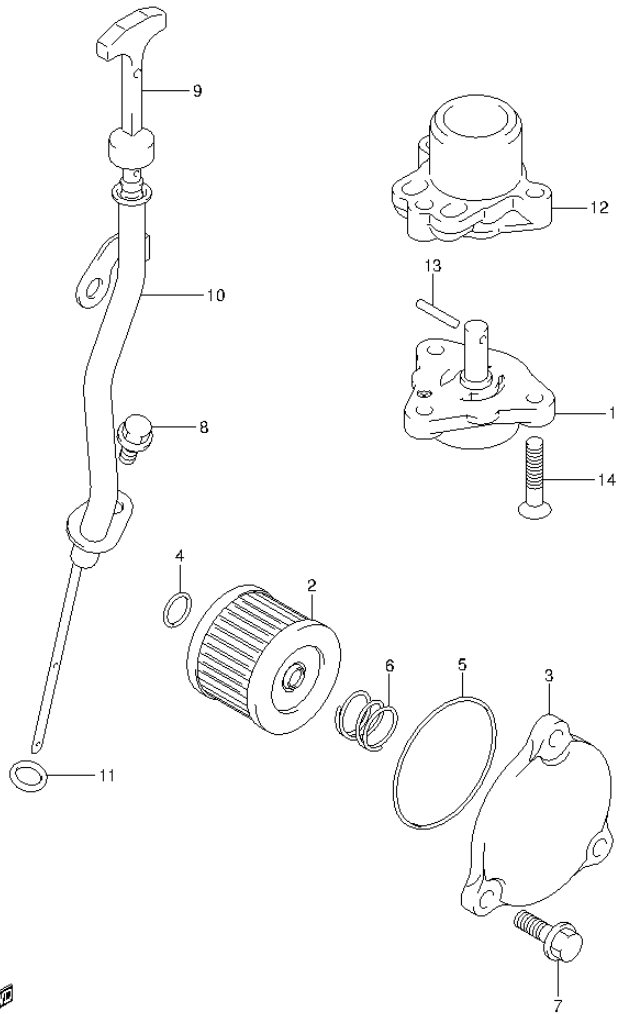


FIG.68 (1-F-14) OIL PUMP

REF NO.	PART NO.	DESCRIPTION	Q'TY	REMARKS
1	16400-89L00	PUMP ASSY, OIL	1	
2	16510-45H10	FILTER, ENGINE OIL	1	
3	16512-99J00	CAP, OIL FILTER	1	
4	09280-13004	O RING (D:1.9,ID:13)	1	
5	09280-54001	O RING (D:2.4,ID:52.6)	1	
6	09440-18002	SPRING	1	
7	01550-06207	BOLT	3	
8	01550-06127	BOLT	1	
9	16910-89L00	GAUGE, OIL LEVEL	1	
10	16930-89L00	GUIDE, OIL LEVEL GAUGE	1	
11	09280-09008	O RING (D:2.1,ID:8.8)	1	
12	16431-89L00	BLOCK, OIL GALLERY	1	
13	59262-94J00	PIN, OIL PUMP	1	
14	02122-0630A	SCREW	3	

FIG.69

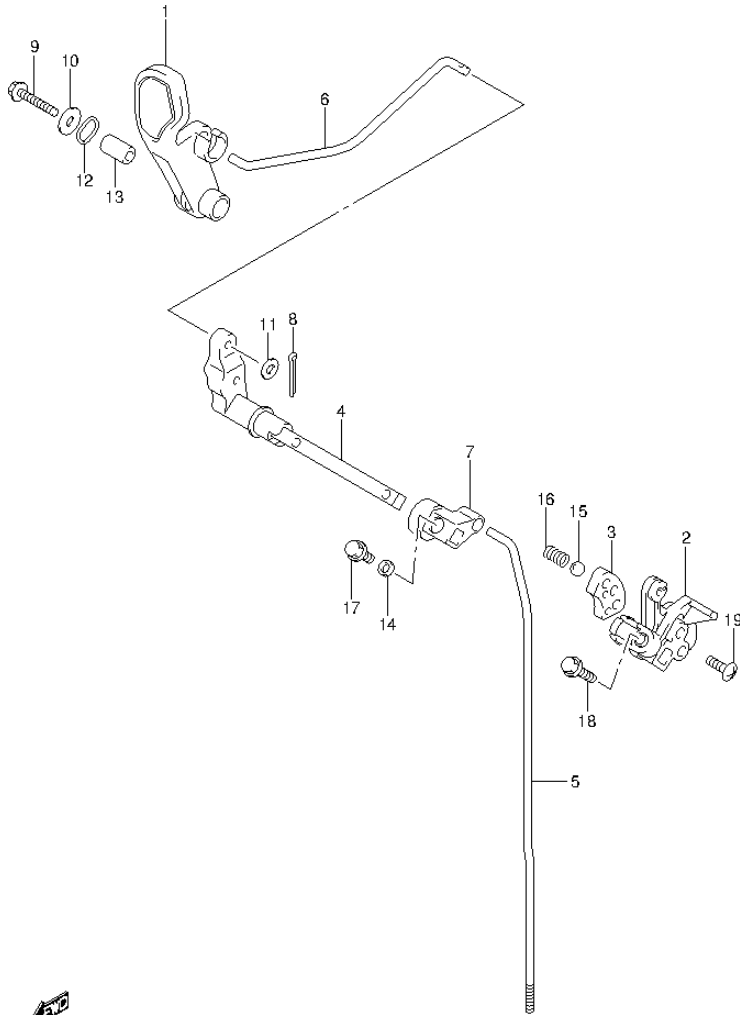


FIG.69 (1-F-15) CLUTCH ROD (DF9.9B P01)

REF NO.	PART NO.	DESCRIPTION	Q'TY	REMARKS
1	21111-89L00	LEVER, CLUTCH	1	
2	21120-89L00	LEVER, CLUTCH NOTCH	1	
3	21122-89L00	PLATE, CLUTCH NOTCH	1	
4	21210-89L00	SHAFT, CLUTCH LEVER	1	
5-1	23111-89L00	ROD, CLUTCH (S)	1	W/TRANSOM(S)
5-2	23111-89L10	ROD, CLUTCH (L)	1	W/TRANSOM(L)
6	23115-89L00	LINK, CLUTCH LEVER	1	
7	23211-89L00	ARM, CLUTCH ROD	1	
8	09204-01002	PIN	1	
9	09116-06234	BOLT (6X35)	1	
10	09160-06046	WASHER (6.5X20X1.5)	1	
11	09160-06094	WASHER (6.5X15X1.5)	1	
12	09164-14008	WASHER	2	
13	09180-06186	SPACER (6.2X12.6X21)	1	
14	09180-06362	SPACER (6.5X10.5X4)	1	
15	09260-12003	BALL	1	
16	09440-09041	SPRING	1	
17	01550-06127	BOLT	1	
18	01550-06257	BOLT	1	
19	02142-06207	SCREW	2	



FIG.70

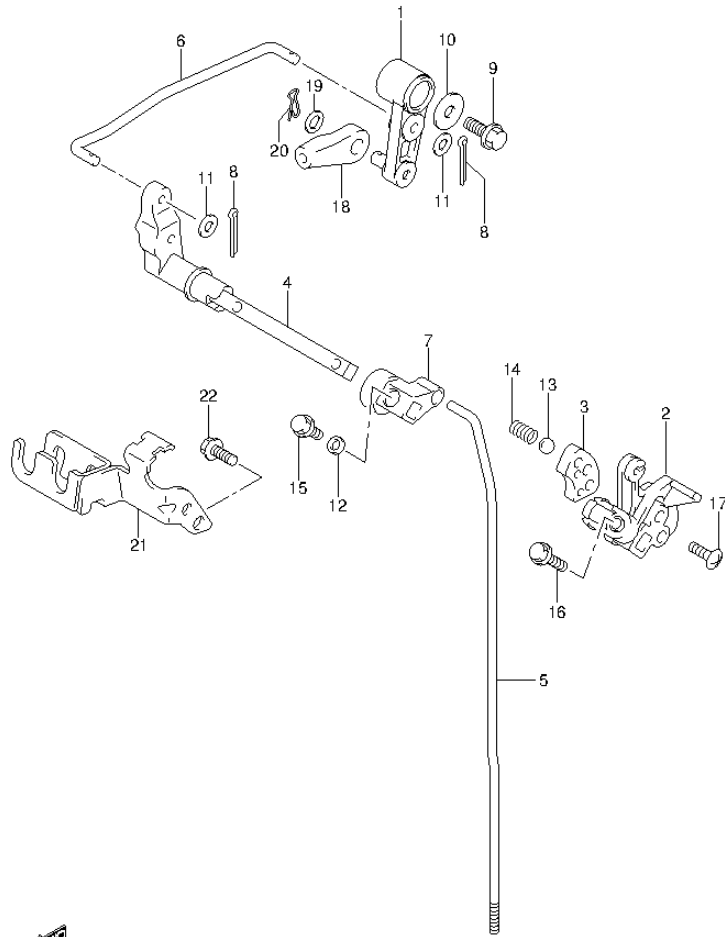


FIG.70 (1-G-2) CLUTCH ROD (DF9.9BR P01)

REF NO.	PART NO.	DESCRIPTION	Q'TY	REMARKS
1	21110-89L10	LEVER, CLUTCH	1	
2	21120-89L00	LEVER, CLUTCH NOTCH	1	
3	21122-89L00	PLATE, CLUTCH NOTCH	1	
4	21210-89L00	SHAFT, CLUTCH LEVER	1	
5-1	23111-89L00	ROD, CLUTCH (S)	1	W/TRANSOM(S)
5-2	23111-89L10	ROD, CLUTCH (L)	1	W/TRANSOM(L)
6	23115-89L10	LINK, CLUTCH LEVER	1	
7	23211-89L00	ARM, CLUTCH ROD	1	
8	09204-01002	PIN	2	
9	01550-06127	BOLT	1	
10	09160-06046	WASHER (6.5X20X1.5)	1	
11	09160-05029	WASHER (5.5X12X0.8)	2	
12	09180-06362	SPACER (6.5X10.5X4)	1	
13	09260-12003	BALL	1	
14	09440-09041	SPRING	1	
15	01550-06127	BOLT	1	
16	01550-06257	BOLT	1	
17	02142-06207	SCREW	2	
18	67467-89J01	CONNECTOR	1	
19	09160-06055	WASHER (7X12X1)	1	
20	09385-06012	CLIP	1	
21	67340-89L00	HOLDER, R/CON CABLE	1	
22	01547-06167	BOLT	2	



FIG.71

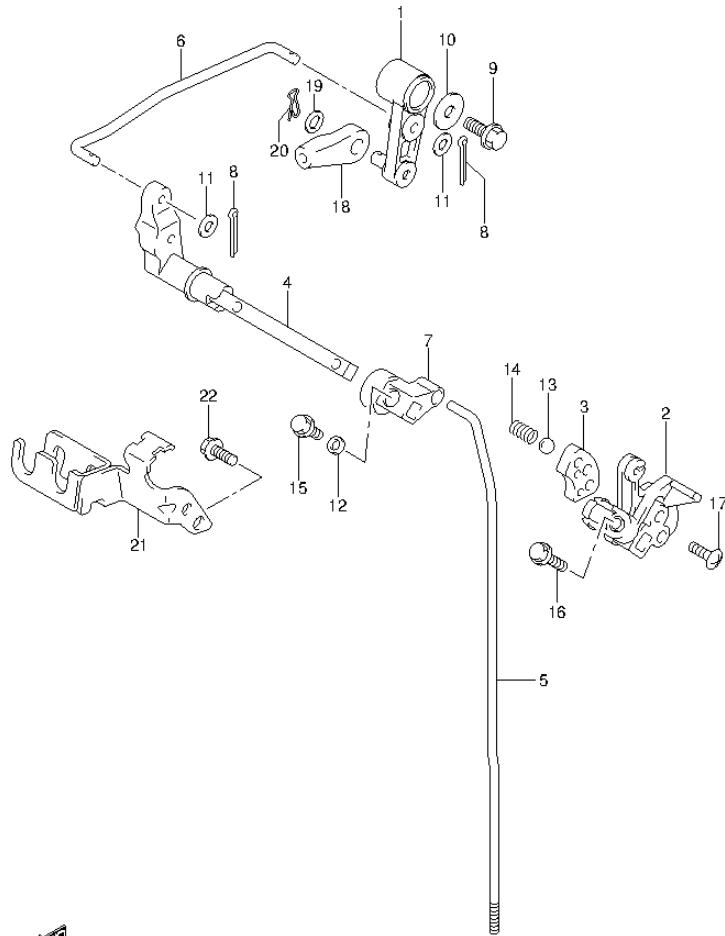


FIG.71 (1-G-3) CLUTCH ROD (DF9.9BT P01)

REF NO.	PART NO.	DESCRIPTION	Q'TY	REMARKS
1	21110-89L10	LEVER, CLUTCH	1	
2	21120-89L00	LEVER, CLUTCH NOTCH	1	
3	21122-89L00	PLATE, CLUTCH NOTCH	1	
4	21210-89L00	SHAFT, CLUTCH LEVER	1	
5-1	23111-89L00	ROD, CLUTCH (S)	1	W/TRANSOM(S)
5-2	23111-89L10	ROD, CLUTCH (L)	1	W/TRANSOM(L)
6	23115-89L10	LINK, CLUTCH LEVER	1	
7	23211-89L00	ARM, CLUTCH ROD	1	
8	09204-01002	PIN	2	
9	01550-06127	BOLT	1	
10	09160-06046	WASHER (6.5X20X1.5)	1	
11	09160-05029	WASHER (5.5X12X0.8)	2	
12	09180-06362	SPACER (6.5X10.5X4)	1	
13	09260-12003	BALL	1	
14	09440-09041	SPRING	1	
15	01550-06127	BOLT	1	
16	01550-06257	BOLT	1	
17	02142-06207	SCREW	2	
18	67467-89J01	CONNECTOR	1	
19	09160-06055	WASHER (7X12X1)	1	
20	09385-06012	CLIP	1	
21	67340-89L00	HOLDER, R/CON CABLE	1	
22	01547-06167	BOLT	2	



FIG.72

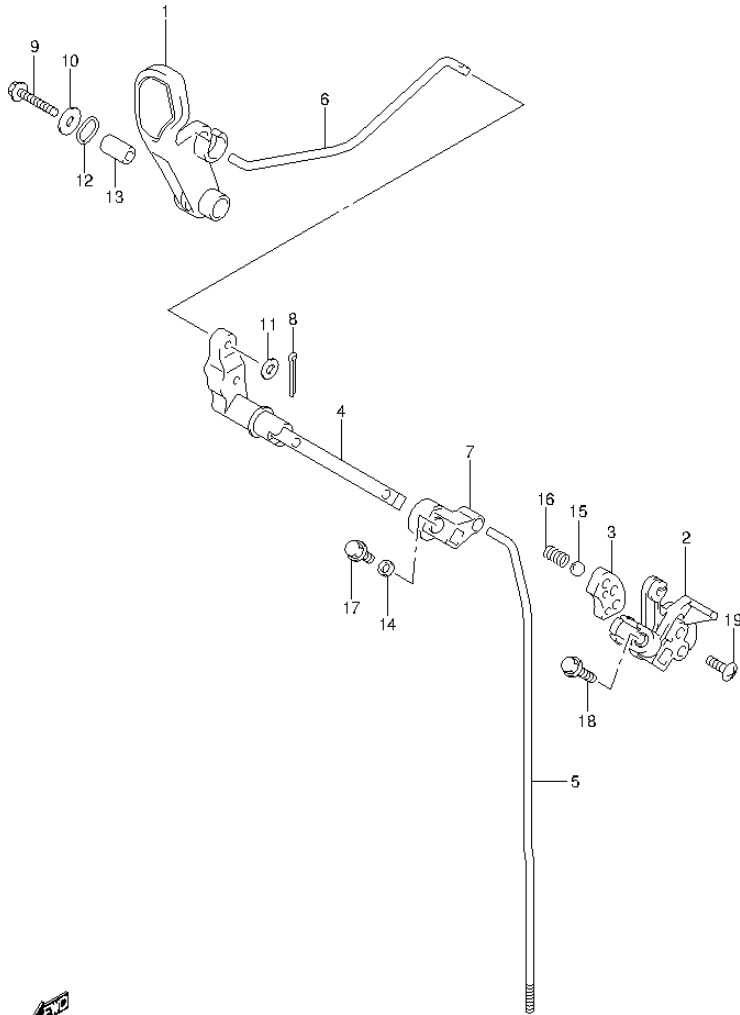


FIG.72 (1-G-4) CLUTCH ROD (DF15A P01)

REF NO.	PART NO.	DESCRIPTION	Q'TY	REMARKS
1	21111-89L00	LEVER, CLUTCH	1	
2	21120-89L00	LEVER, CLUTCH NOTCH	1	
3	21122-89L00	PLATE, CLUTCH NOTCH	1	
4	21210-89L00	SHAFT, CLUTCH LEVER	1	
5-1	23111-89L00	ROD, CLUTCH (S)	1	W/TRANSOM(S)
5-2	23111-89L10	ROD, CLUTCH (L)	1	W/TRANSOM(L)
6	23115-89L00	LINK, CLUTCH LEVER	1	
7	23211-89L00	ARM, CLUTCH ROD	1	
8	09204-01002	PIN	1	
9	09116-06234	BOLT (6X35)	1	
10	09160-06046	WASHER (6.5X20X1.5)	1	
11	09160-06094	WASHER (6.5X15X1.5)	1	
12	09164-14008	WASHER	2	
13	09180-06186	SPACER (6.2X12.6X21)	1	
14	09180-06362	SPACER (6.5X10.5X4)	1	
15	09260-12003	BALL	1	
16	09440-09041	SPRING	1	
17	01550-06127	BOLT	1	
18	01550-06257	BOLT	1	
19	02142-06207	SCREW	2	



FIG.73

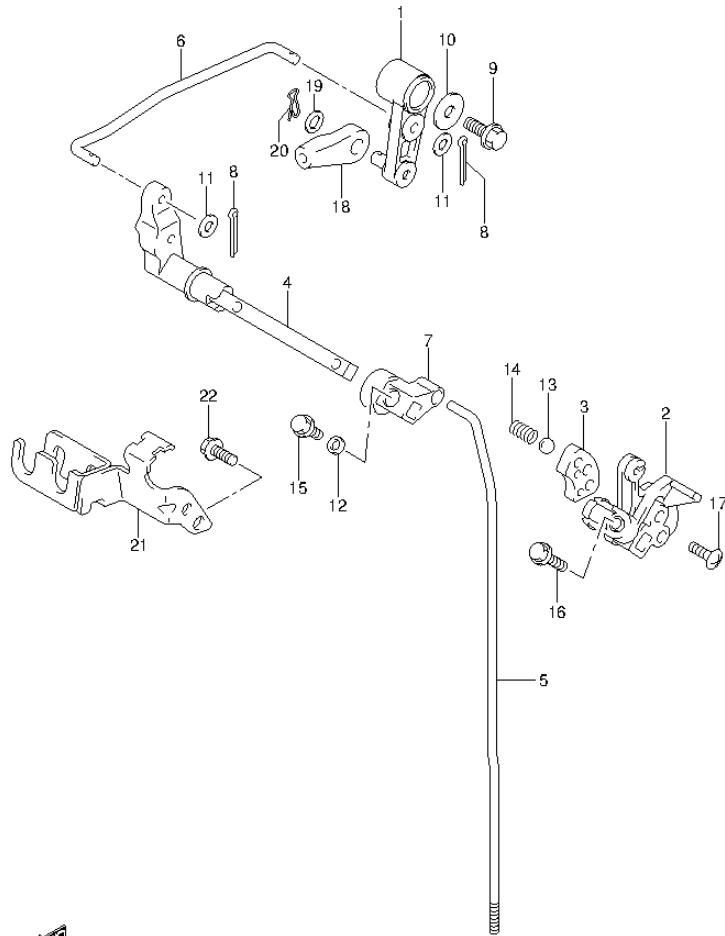
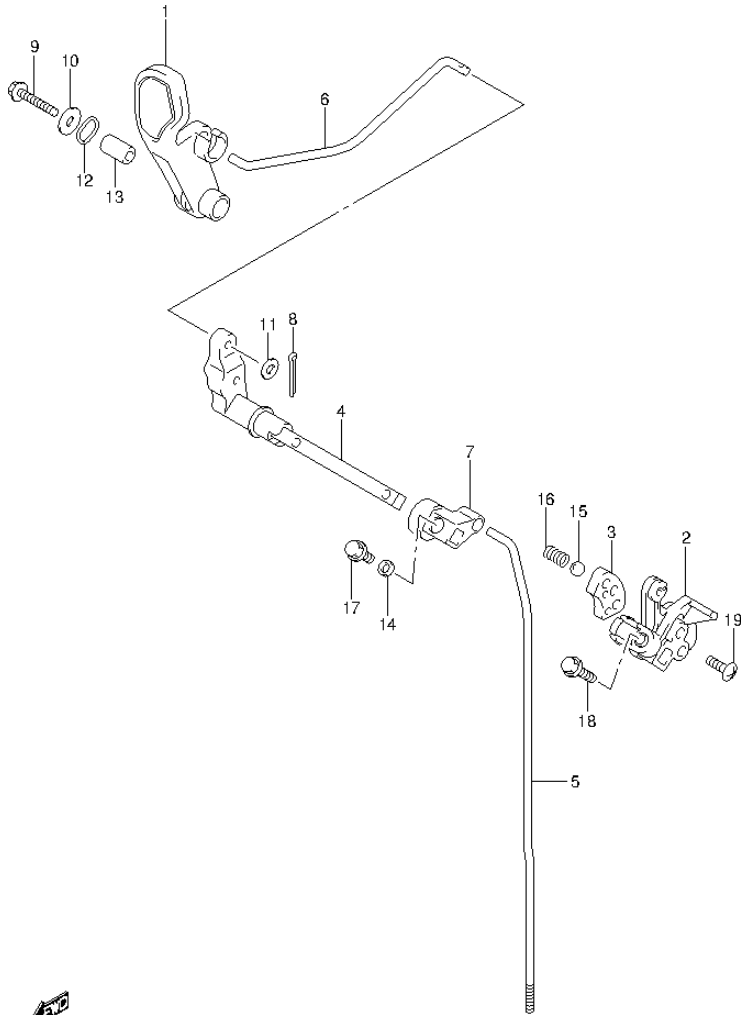


FIG.73 (1-G-5) CLUTCH ROD (DF15AR P01)

REF NO.	PART NO.	DESCRIPTION	Q'TY	REMARKS
1	21110-89L10	LEVER, CLUTCH	1	
2	21120-89L00	LEVER, CLUTCH NOTCH	1	
3	21122-89L00	PLATE, CLUTCH NOTCH	1	
4	21210-89L00	SHAFT, CLUTCH LEVER	1	
5-1	23111-89L00	ROD, CLUTCH (S)	1	W/TRANSOM(S)
5-2	23111-89L10	ROD, CLUTCH (L)	1	W/TRANSOM(L)
6	23115-89L10	LINK, CLUTCH LEVER	1	
7	23211-89L00	ARM, CLUTCH ROD	1	
8	09204-01002	PIN	2	
9	01550-06127	BOLT	1	
10	09160-06046	WASHER (6.5X20X1.5)	1	
11	09160-05029	WASHER (5.5X12X0.8)	2	
12	09180-06362	SPACER (6.5X10.5X4)	1	
13	09260-12003	BALL	1	
14	09440-09041	SPRING	1	
15	01550-06127	BOLT	1	
16	01550-06257	BOLT	1	
17	02142-06207	SCREW	2	
18	67467-89J01	CONNECTOR	1	
19	09160-06055	WASHER (7X12X1)	1	
20	09385-06012	CLIP	1	
21	67340-89L00	HOLDER, R/CON CABLE	1	
22	01547-06167	BOLT	2	



**FIG.74**



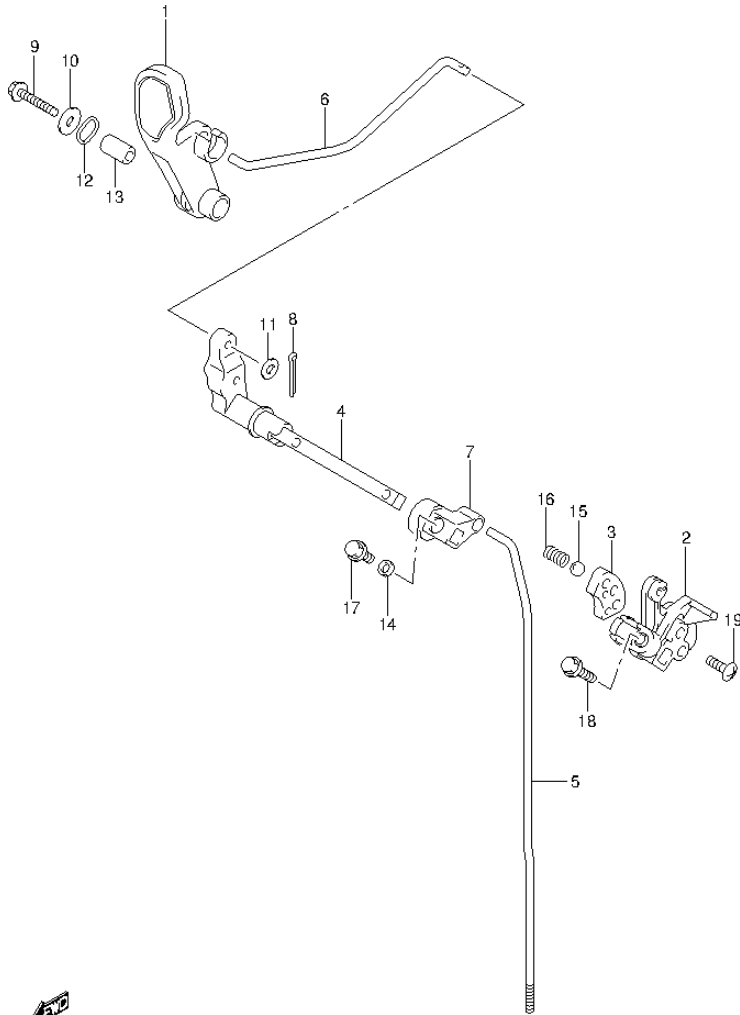
**FIG.74 (1-G-6) CLUTCH ROD (DF15ATH P01)**

REF NO.	PART NO.	DESCRIPTION	Q'TY	REMARKS
1	21111-89L00	LEVER, CLUTCH	1	
2	21120-89L00	LEVER, CLUTCH NOTCH	1	
3	21122-89L00	PLATE, CLUTCH NOTCH	1	
4	21210-89L00	SHAFT, CLUTCH LEVER	1	
5-1	23111-89L00	ROD, CLUTCH (S)	1	W/TRANSOM(S)
5-2	23111-89L10	ROD, CLUTCH (L)	1	W/TRANSOM(L)
6	23115-89L00	LINK, CLUTCH LEVER	1	
7	23211-89L00	ARM, CLUTCH ROD	1	
8	09204-01002	PIN	1	
9	09116-06234	BOLT (6X35)	1	
10	09160-06046	WASHER (6.5X20X1.5)	1	
11	09160-06094	WASHER (6.5X15X1.5)	1	
12	09164-14008	WASHER	2	
13	09180-06186	SPACER (6.2X12.6X21)	1	
14	09180-06362	SPACER (6.5X10.5X4)	1	
15	09260-12003	BALL	1	
16	09440-09041	SPRING	1	
17	01550-06127	BOLT	1	
18	01550-06257	BOLT	1	
19	02142-06207	SCREW	2	





**FIG.75**



**FIG.75 (1-G-7) CLUTCH ROD (DF20A P01)**

REF NO.	PART NO.	DESCRIPTION	Q'TY	REMARKS
1	21111-89L00	LEVER, CLUTCH	1	
2	21120-89L00	LEVER, CLUTCH NOTCH	1	
3	21122-89L00	PLATE, CLUTCH NOTCH	1	
4	21210-89L00	SHAFT, CLUTCH LEVER	1	
5-1	23111-89L00	ROD, CLUTCH (S)	1	W/TRANSOM(S)
5-2	23111-89L10	ROD, CLUTCH (L)	1	W/TRANSOM(L)
6	23115-89L00	LINK, CLUTCH LEVER	1	
7	23211-89L00	ARM, CLUTCH ROD	1	
8	09204-01002	PIN	1	
9	09116-06234	BOLT (6X35)	1	
10	09160-06046	WASHER (6.5X20X1.5)	1	
11	09160-06094	WASHER (6.5X15X1.5)	1	
12	09164-14008	WASHER	2	
13	09180-06186	SPACER (6.2X12.6X21)	1	
14	09180-06362	SPACER (6.5X10.5X4)	1	
15	09260-12003	BALL	1	
16	09440-09041	SPRING	1	
17	01550-06127	BOLT	1	
18	01550-06257	BOLT	1	
19	02142-06207	SCREW	2	

FIG.76

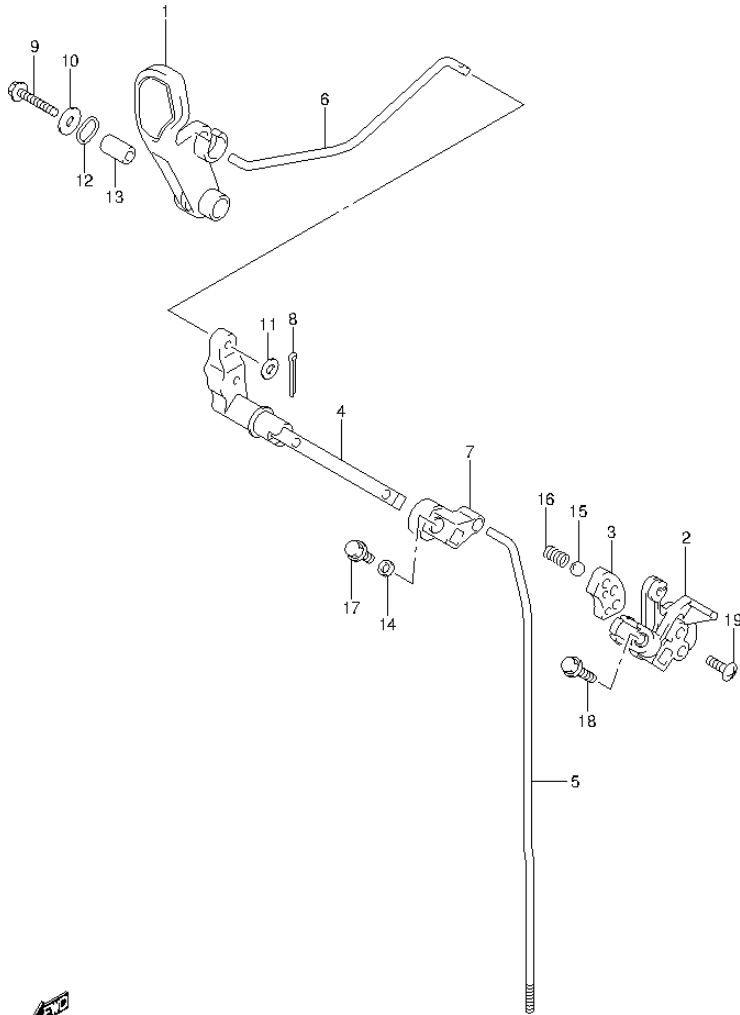


FIG.76 (1-G-8) CLUTCH ROD (DF20A P40)

REF NO.	PART NO.	DESCRIPTION	Q'TY	REMARKS
1	21111-89L00	LEVER, CLUTCH	1	
2	21120-89L00	LEVER, CLUTCH NOTCH	1	
3	21122-89L00	PLATE, CLUTCH NOTCH	1	
4	21210-89L00	SHAFT, CLUTCH LEVER	1	
5-1	23111-89L00	ROD, CLUTCH (S)	1	W/TRANSOM(S)
5-2	23111-89L10	ROD, CLUTCH (L)	1	W/TRANSOM(L)
6	23115-89L00	LINK, CLUTCH LEVER	1	
7	23211-89L00	ARM, CLUTCH ROD	1	
8	09204-01002	PIN	1	
9	09116-06234	BOLT (6X35)	1	
10	09160-06046	WASHER (6.5X20X1.5)	1	
11	09160-06094	WASHER (6.5X15X1.5)	1	
12	09164-14008	WASHER	2	
13	09180-06186	SPACER (6.2X12.6X21)	1	
14	09180-06362	SPACER (6.5X10.5X4)	1	
15	09260-12003	BALL	1	
16	09440-09041	SPRING	1	
17	01550-06127	BOLT	1	
18	01550-06257	BOLT	1	
19	02142-06207	SCREW	2	



FIG.77

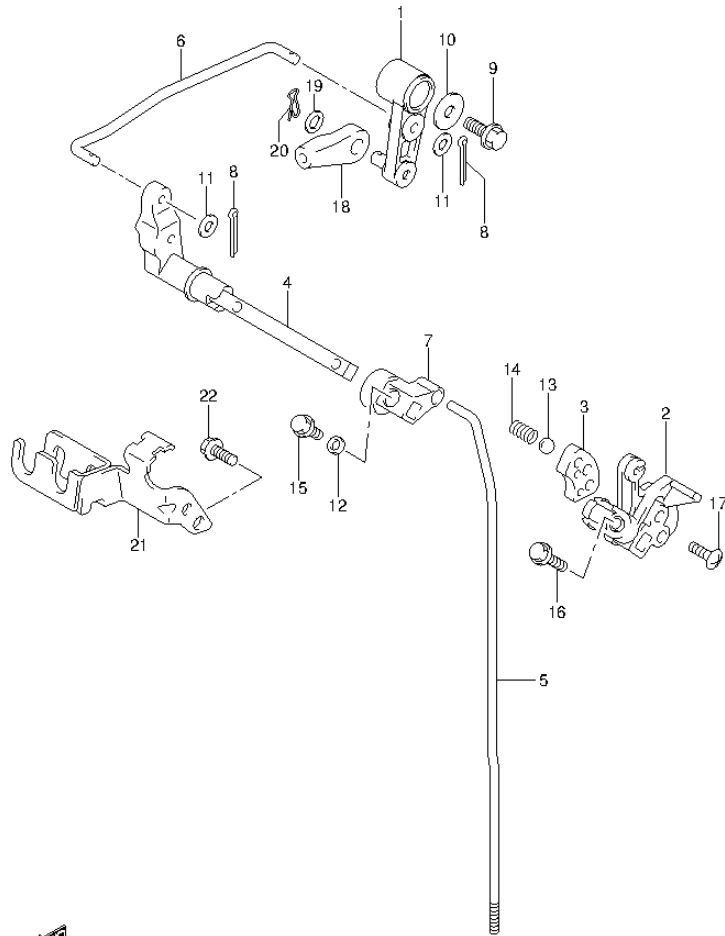


FIG.77 (1-G-9) CLUTCH ROD (DF20AR P01)

REF NO.	PART NO.	DESCRIPTION	Q'TY	REMARKS
1	21110-89L10	LEVER, CLUTCH	1	
2	21120-89L00	LEVER, CLUTCH NOTCH	1	
3	21122-89L00	PLATE, CLUTCH NOTCH	1	
4	21210-89L00	SHAFT, CLUTCH LEVER	1	
5-1	23111-89L00	ROD, CLUTCH (S)	1	W/TRANSOM(S)
5-2	23111-89L10	ROD, CLUTCH (L)	1	W/TRANSOM(L)
6	23115-89L10	LINK, CLUTCH LEVER	1	
7	23211-89L00	ARM, CLUTCH ROD	1	
8	09204-01002	PIN	2	
9	01550-06127	BOLT	1	
10	09160-06046	WASHER (6.5X20X1.5)	1	
11	09160-05029	WASHER (5.5X12X0.8)	2	
12	09180-06362	SPACER (6.5X10.5X4)	1	
13	09260-12003	BALL	1	
14	09440-09041	SPRING	1	
15	01550-06127	BOLT	1	
16	01550-06257	BOLT	1	
17	02142-06207	SCREW	2	
18	67467-89J01	CONNECTOR	1	
19	09160-06055	WASHER (7X12X1)	1	
20	09385-06012	CLIP	1	
21	67340-89L00	HOLDER, R/CON CABLE	1	
22	01547-06167	BOLT	2	



FIG.78

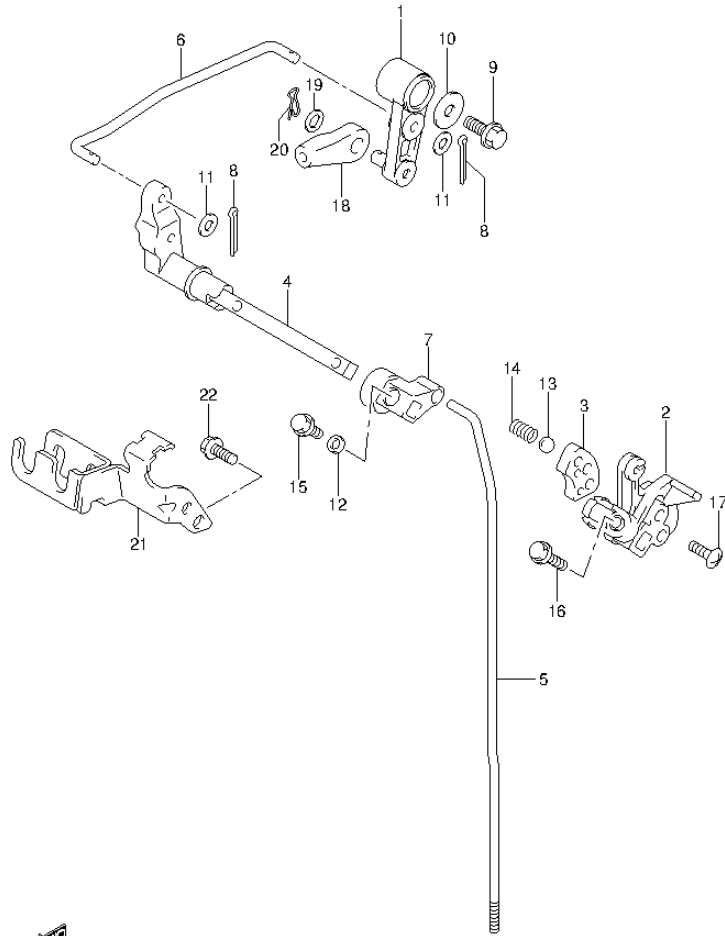
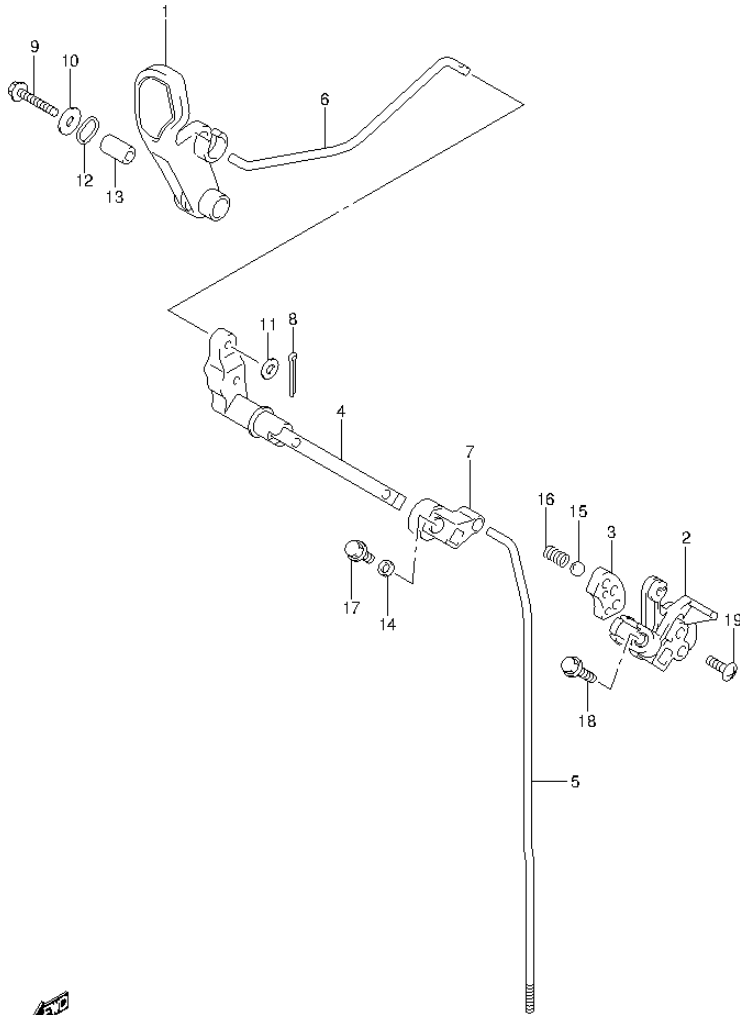


FIG.78 (1-G-10) CLUTCH ROD (DF20AT P01)

REF NO.	PART NO.	DESCRIPTION	Q'TY	REMARKS
1	21110-89L10	LEVER, CLUTCH	1	
2	21120-89L00	LEVER, CLUTCH NOTCH	1	
3	21122-89L00	PLATE, CLUTCH NOTCH	1	
4	21210-89L00	SHAFT, CLUTCH LEVER	1	
5-1	23111-89L00	ROD, CLUTCH (S)	1	W/TRANSOM(S)
5-2	23111-89L10	ROD, CLUTCH (L)	1	W/TRANSOM(L)
6	23115-89L10	LINK, CLUTCH LEVER	1	
7	23211-89L00	ARM, CLUTCH ROD	1	
8	09204-01002	PIN	2	
9	01550-06127	BOLT	1	
10	09160-06046	WASHER (6.5X20X1.5)	1	
11	09160-05029	WASHER (5.5X12X0.8)	2	
12	09180-06362	SPACER (6.5X10.5X4)	1	
13	09260-12003	BALL	1	
14	09440-09041	SPRING	1	
15	01550-06127	BOLT	1	
16	01550-06257	BOLT	1	
17	02142-06207	SCREW	2	
18	67467-89J01	CONNECTOR	1	
19	09160-06055	WASHER (7X12X1)	1	
20	09385-06012	CLIP	1	
21	67340-89L00	HOLDER, R/CON CABLE	1	
22	01547-06167	BOLT	2	



**FIG.79**



**FIG.79 (1-G-11) CLUTCH ROD (DF20ATH P01)**

REF NO.	PART NO.	DESCRIPTION	Q'TY	REMARKS
1	21111-89L00	LEVER, CLUTCH	1	
2	21120-89L00	LEVER, CLUTCH NOTCH	1	
3	21122-89L00	PLATE, CLUTCH NOTCH	1	
4	21210-89L00	SHAFT, CLUTCH LEVER	1	
5-1	23111-89L00	ROD, CLUTCH (S)	1	W/TRANSOM(S)
5-2	23111-89L10	ROD, CLUTCH (L)	1	W/TRANSOM(L)
6	23115-89L00	LINK, CLUTCH LEVER	1	
7	23211-89L00	ARM, CLUTCH ROD	1	
8	09204-01002	PIN	1	
9	09116-06234	BOLT (6X35)	1	
10	09160-06046	WASHER (6.5X20X1.5)	1	
11	09160-06094	WASHER (6.5X15X1.5)	1	
12	09164-14008	WASHER	2	
13	09180-06186	SPACER (6.2X12.6X21)	1	
14	09180-06362	SPACER (6.5X10.5X4)	1	
15	09260-12003	BALL	1	
16	09440-09041	SPRING	1	
17	01550-06127	BOLT	1	
18	01550-06257	BOLT	1	
19	02142-06207	SCREW	2	



FIG.80

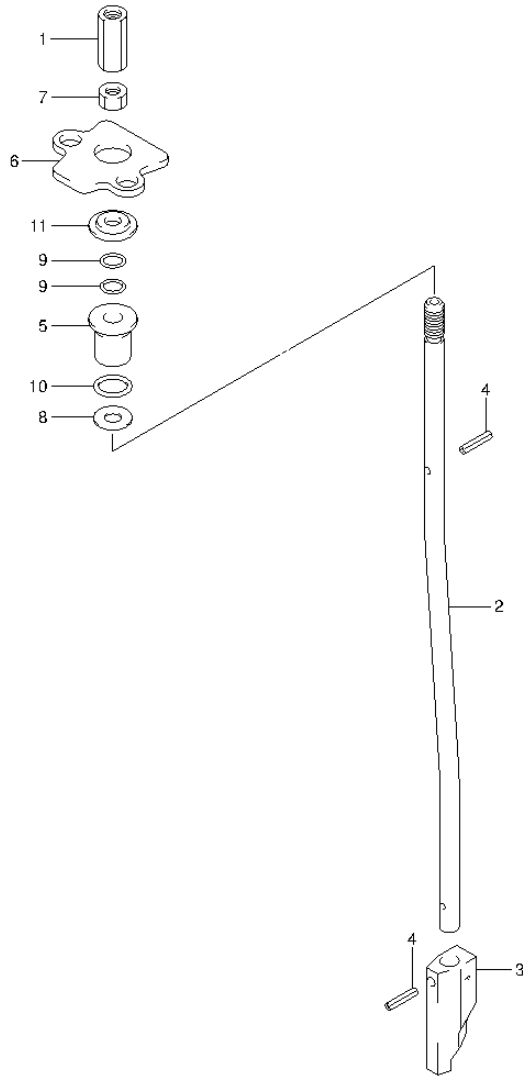


FIG.80 (1-G-12) SHIFT ROD

REF NO.	PART NO.	DESCRIPTION	Q'TY	REMARKS
1	23311-95J00	CONNECTOR, CLUTCH ROD	1	
2	25111-99J00	ROD, SHIFT	1	
3	25311-99J00	CAM, SHIFT	1	
4	09205-02004	SPRING PIN (2.5X12)	2	
5	25211-99JL0	GUIDE, SHIFT ROD	1	
6	25215-99J00	STOPPER, SHIFT ROD GUIDE	1	
7	29141-93J00	NUT, CLUTCH ROD (M6)	1	
8	09160-06082	WASHER (6.5X13X1.0)	1	
9	09280-06012	O RING (D:1.7,ID:5.8)	2	
10	09280-09012	O RING (D:2.3,ID:9)	1	
11	09289-06L02	DUST SEAL (5X17X3.5)	1	



FIG.81

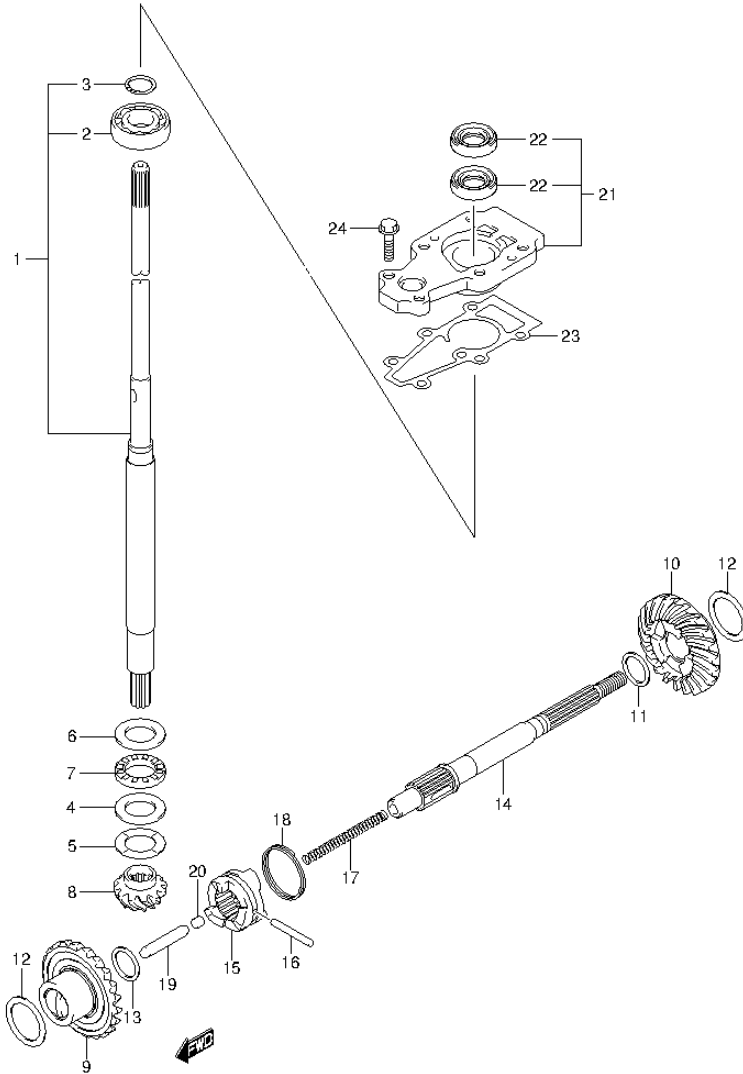
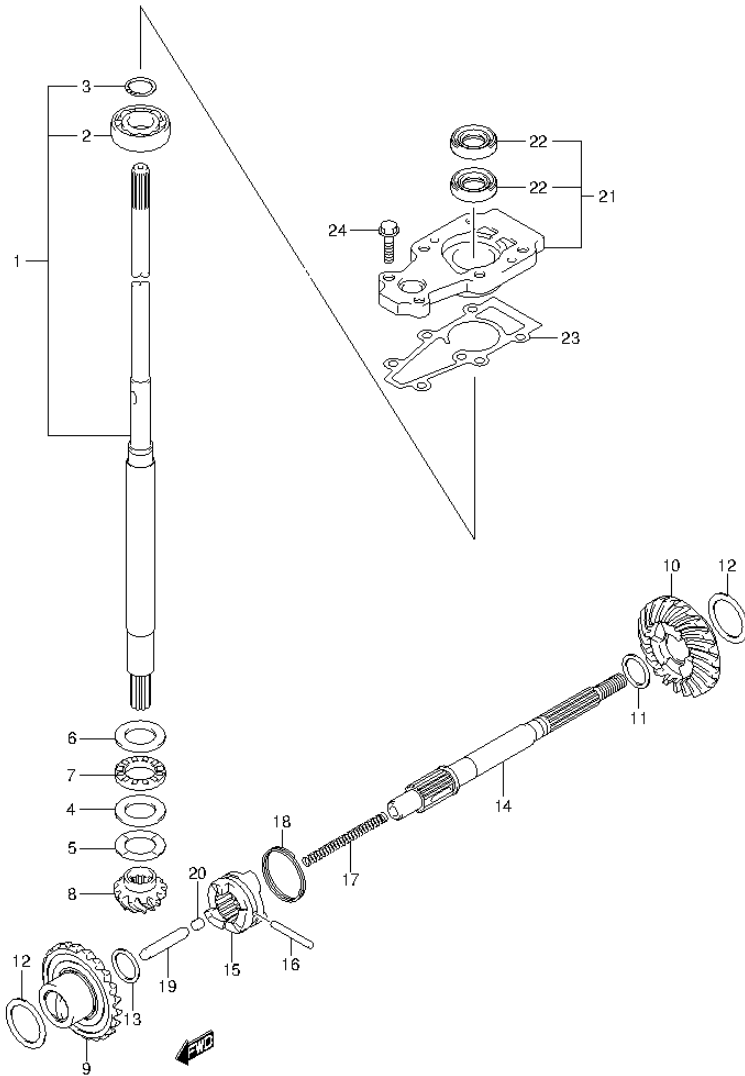


FIG.81 (1-G-13) TRANSMISSION (DF9.9B P01)

REF NO.	PART NO.	DESCRIPTION	Q'TY	REMARKS
1-1	57100-90L40	SHAFT ASSY, DRIVE (S)	1	W/TRANSOM(S)
1-2	57100-90L30	SHAFT ASSY, DRIVE (L)	1	W/TRANSOM(L)
2	08110-60020	.BEARING	1	
3	09380-15001	.SNAP RING	1	
4	09160-20027	WASHER (20X35X2.75)	1	
5-1	09181-20251	SHIM (T:1.0)	1	
5-2	09160-20042	SHIM (T:1.1)	1	
5-3	09160-20043	SHIM (T:1.2)	1	
5-4	09160-20044	SHIM (T:1.3)	1	
5-5	09181-20244	SHIM (T:0.7)	1	
5-6	09181-20246	SHIM (T:0.8)	1	
5-7	09181-20248	SHIM (T:0.9)	1	
6	09160-21009	WASHER (21X35X2.75)	1	
7	09263-20L04	BEARING (20X35X4.5)	1	
8	57311-99J10	PINION	1	
9	57510-99J10	GEAR, FORWARD (NT:25)	1	
10	57521-99J10	GEAR, REVERSE (NT:25)	1	
11-1	09160-17024	WASHER (T:1.1)	1	REV
11-2	09160-17039	WASHER (T:1.2)	1	REV
11-3	09160-17025	WASHER (T:1.3)	1	REV
11-4	09160-17040	WASHER (T:1.4)	1	REV
11-5	09160-17026	WASHER (T:1.5)	1	REV
11-6	09160-17041	WASHER (T:1.6)	1	REV
11-7	09160-17027	WASHER (T:1.7)	1	REV
11-8	09160-17042	WASHER (T:1.8)	1	REV
11-9	09160-17028	WASHER (T:1.9)	1	REV
12-1	09181-25160	SHIM (T:0.7)	2	
12-2	09181-25162	SHIM (T:0.8)	2	
12-3	09181-25164	SHIM (T:0.9)	2	
12-4	09160-25040	WASHER (T:1.0)	2	
12-5	09160-25041	WASHER (T:1.1)	2	
12-6	09160-25042	WASHER (T:1.2)	2	
12-7	09181-25181	SHIM (T:1.3)	2	
13	09181-15241	WASHER (15X22X2)	1	FWD

**FIG.81**



**FIG.81 (1-G-14) TRANSMISSION (DF9.9B P01)**

REF NO.	PART NO.	DESCRIPTION	Q'TY	REMARKS
14	57610-99JL0	SHAFT, PROPELLER	1	
15	57621-99J11	SHIFTER, CLUTCH DOG	1	
16	09202-04025	PIN (4X31)	1	
17	59441-94J00	SPRING, RETURN	1	
18	59441-99J00	SPRING, DOG	1	
19	57631-93901	ROD, PUSH	1	
20	57632-98501	PIN (6X6)	1	
21	56130-99J30	HOUSING, DRIVE SHAFT	1	
22	09282-13L01	.OIL SEAL (12.5X25X7)	2	
23	56132-99J10	GASKET, DRIVE SHAFT BRG HSG	1	
24	09116-06229	BOLT (6X25)	2	



FIG.82

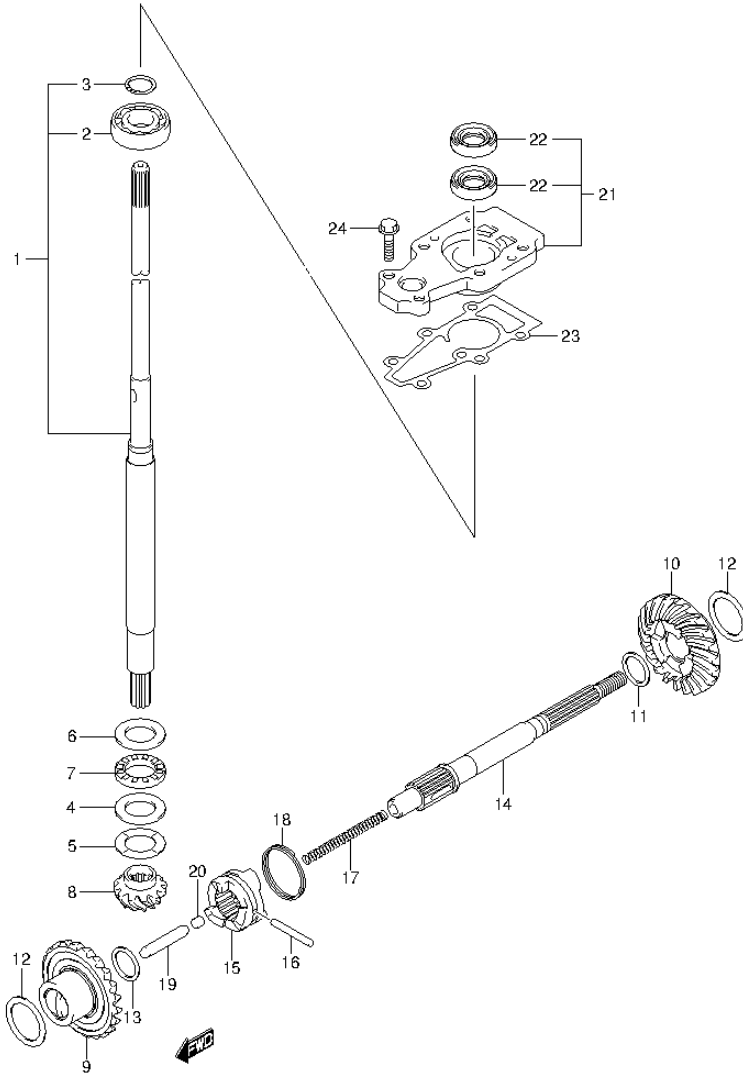


FIG.82 (1-G-15) TRANSMISSION (DF9.9BR P01)

REF NO.	PART NO.	DESCRIPTION	Q'TY	REMARKS
1-1	57100-90L40	SHAFT ASSY, DRIVE (S)	1	W/TRANSOM(S)
1-2	57100-90L30	SHAFT ASSY, DRIVE (L)	1	W/TRANSOM(L)
2	08110-60020	.BEARING	1	
3	09380-15001	.SNAP RING	1	
4	09160-20027	WASHER (20X35X2.75)	1	
5-1	09181-20251	SHIM (T:1.0)	1	
5-2	09160-20042	SHIM (T:1.1)	1	
5-3	09160-20043	SHIM (T:1.2)	1	
5-4	09160-20044	SHIM (T:1.3)	1	
5-5	09181-20244	SHIM (T:0.7)	1	
5-6	09181-20246	SHIM (T:0.8)	1	
5-7	09181-20248	SHIM (T:0.9)	1	
6	09160-21009	WASHER (21X35X2.75)	1	
7	09263-20L04	BEARING (20X35X4.5)	1	
8	57311-99J10	PINION	1	
9	57510-99J10	GEAR, FORWARD (NT:25)	1	
10	57521-99J10	GEAR, REVERSE (NT:25)	1	
11-1	09160-17024	WASHER (T:1.1)	1	REV
11-2	09160-17039	WASHER (T:1.2)	1	REV
11-3	09160-17025	WASHER (T:1.3)	1	REV
11-4	09160-17040	WASHER (T:1.4)	1	REV
11-5	09160-17026	WASHER (T:1.5)	1	REV
11-6	09160-17041	WASHER (T:1.6)	1	REV
11-7	09160-17027	WASHER (T:1.7)	1	REV
11-8	09160-17042	WASHER (T:1.8)	1	REV
11-9	09160-17028	WASHER (T:1.9)	1	REV
12-1	09181-25160	SHIM (T:0.7)	2	
12-2	09181-25162	SHIM (T:0.8)	2	
12-3	09181-25164	SHIM (T:0.9)	2	
12-4	09160-25040	WASHER (T:1.0)	2	
12-5	09160-25041	WASHER (T:1.1)	2	
12-6	09160-25042	WASHER (T:1.2)	2	
12-7	09181-25181	SHIM (T:1.3)	2	
13	09181-15241	WASHER (15X22X2)	1	FWD

FIG.82

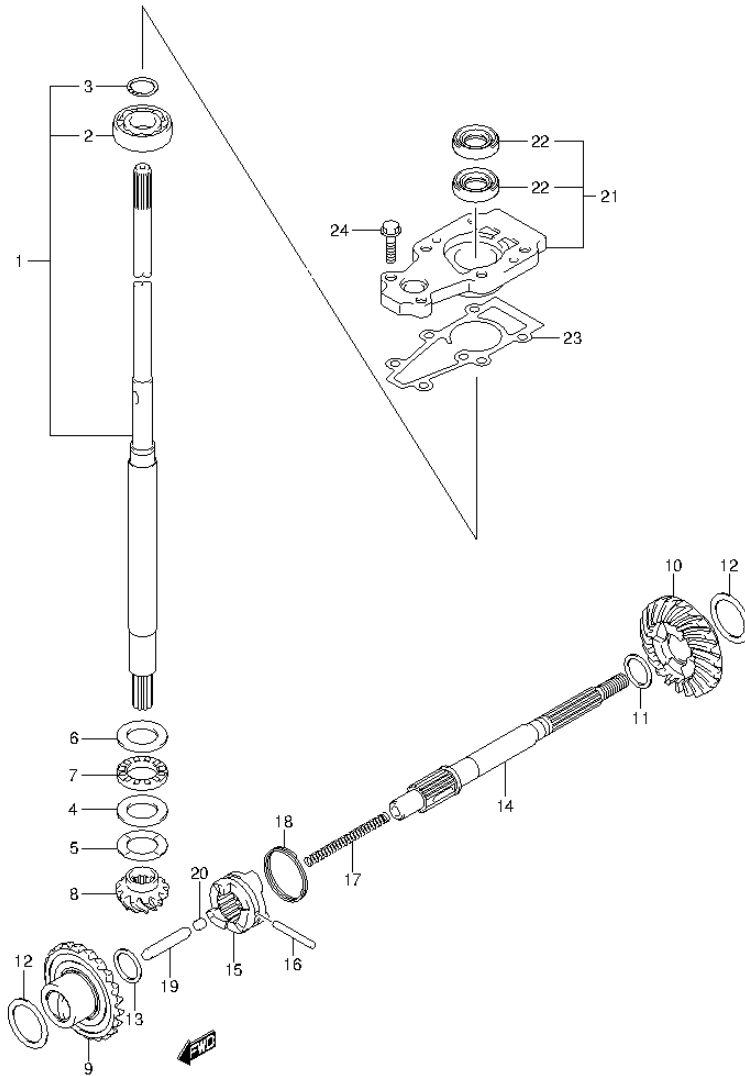


FIG.82 (1-H-2) TRANSMISSION (DF9.9BR P01)

REF NO.	PART NO.	DESCRIPTION	Q'TY	REMARKS
14	57610-99JL0	SHAFT, PROPELLER	1	
15	57621-99J11	SHIFTER, CLUTCH DOG	1	
16	09202-04025	PIN (4X31)	1	
17	59441-94J00	SPRING, RETURN	1	
18	59441-99J00	SPRING, DOG	1	
19	57631-93901	ROD, PUSH	1	
20	57632-98501	PIN (6X6)	1	
21	56130-99J30	HOUSING, DRIVE SHAFT	1	
22	09282-13L01	.OIL SEAL (12.5X25X7)	2	
23	56132-99J10	GASKET, DRIVE SHAFT BRG HSG	1	
24	09116-06229	BOLT (6X25)	2	

FIG.83

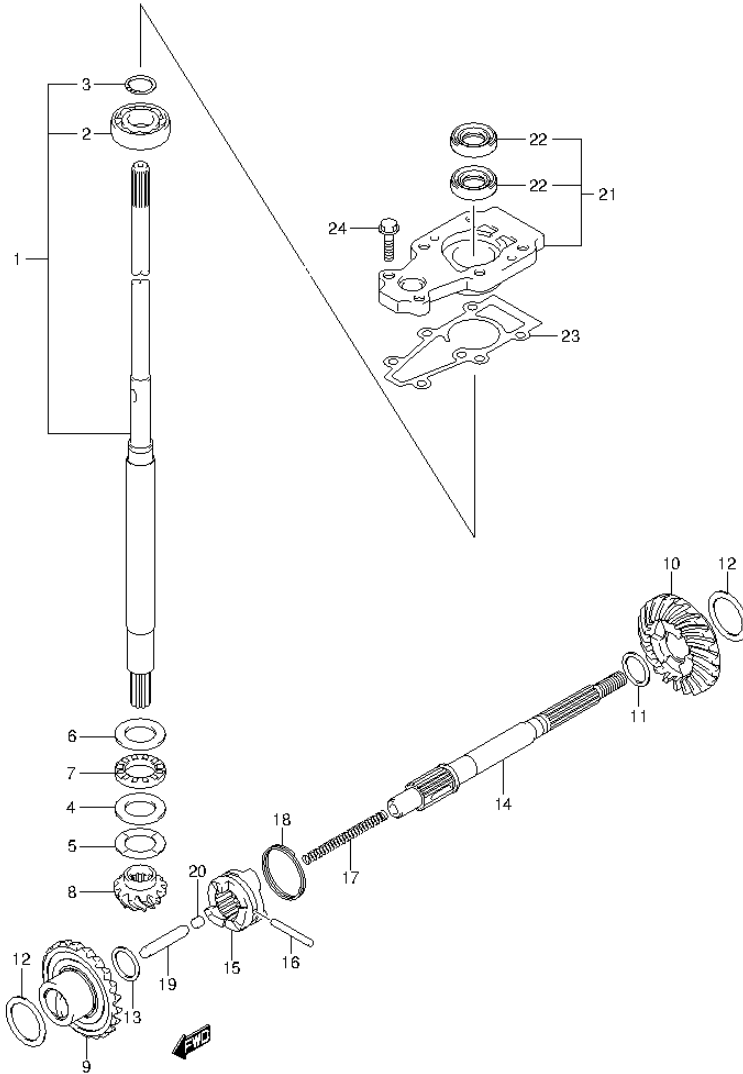
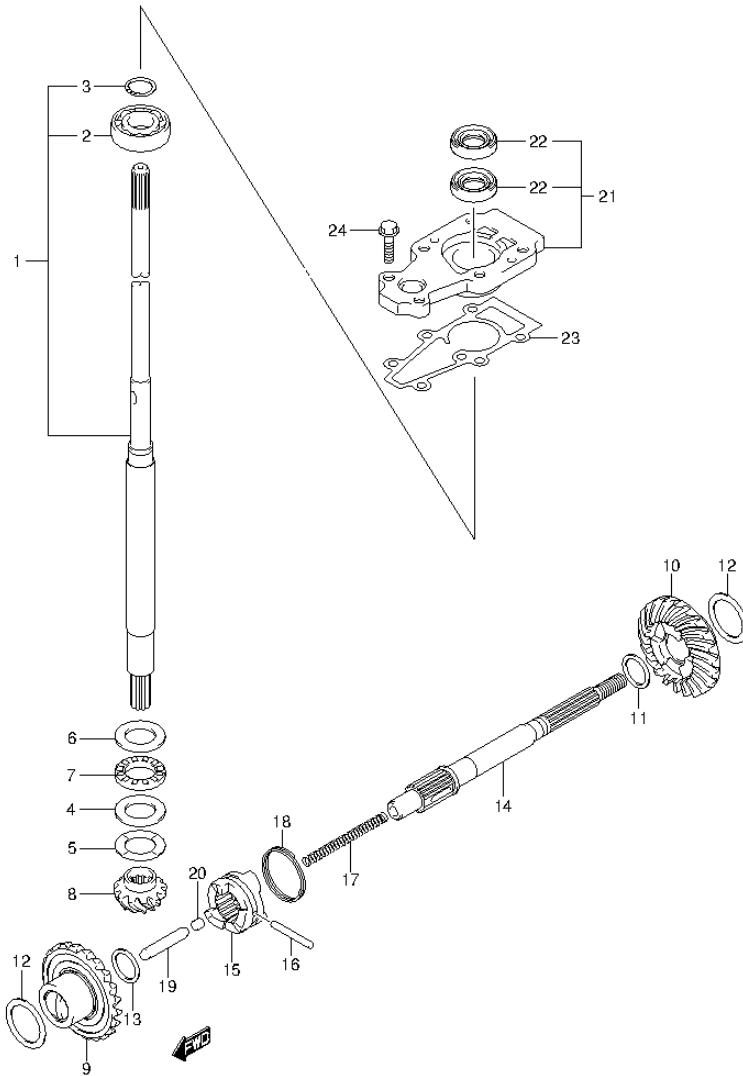


FIG.83 (1-H-3) TRANSMISSION (DF9.9BT P01)

REF NO.	PART NO.	DESCRIPTION	Q'TY	REMARKS
1-1	57100-90L40	SHAFT ASSY, DRIVE (S)	1	W/TRANSOM(S)
1-2	57100-90L30	SHAFT ASSY, DRIVE (L)	1	W/TRANSOM(L)
2	08110-60020	.BEARING	1	
3	09380-15001	.SNAP RING	1	
4	09160-20027	WASHER (20X35X2.75)	1	
5-1	09181-20251	SHIM (T:1.0)	1	
5-2	09160-20042	SHIM (T:1.1)	1	
5-3	09160-20043	SHIM (T:1.2)	1	
5-4	09160-20044	SHIM (T:1.3)	1	
5-5	09181-20244	SHIM (T:0.7)	1	
5-6	09181-20246	SHIM (T:0.8)	1	
5-7	09181-20248	SHIM (T:0.9)	1	
6	09160-21009	WASHER (21X35X2.75)	1	
7	09263-20L04	BEARING (20X35X4.5)	1	
8	57311-99J10	PINION	1	
9	57510-99J10	GEAR, FORWARD (NT:25)	1	
10	57521-99J10	GEAR, REVERSE (NT:25)	1	
11-1	09160-17053	WASHER (T:1.1)	1	REV
11-2	09160-17054	WASHER (T:1.2)	1	REV
11-3	09160-17055	WASHER (T:1.3)	1	REV
11-4	09160-17056	WASHER (T:1.4)	1	REV
11-5	09160-17057	WASHER (T:1.5)	1	REV
11-6	09160-17058	WASHER (T:1.6)	1	REV
11-7	09160-17059	WASHER (T:1.7)	1	REV
11-8	09160-17060	WASHER (T:1.8)	1	REV
11-9	09160-17061	WASHER (T:1.9)	1	REV
12-1	09181-25160	SHIM (T:0.7)	2	
12-2	09181-25162	SHIM (T:0.8)	2	
12-3	09181-25164	SHIM (T:0.9)	2	
12-4	09160-25040	WASHER (T:1.0)	2	
12-5	09160-25041	WASHER (T:1.1)	2	
12-6	09160-25042	WASHER (T:1.2)	2	
12-7	09181-25181	SHIM (T:1.3)	2	
13	09181-15241	WASHER (15X22X2)	1	FWD

**FIG.83**



**FIG.83 (1-H-4) TRANSMISSION (DF9.9BT P01)**

REF NO.	PART NO.	DESCRIPTION	Q'TY	REMARKS
14	57610-99JL0	SHAFT, PROPELLER	1	
15	57621-99J11	SHIFTER, CLUTCH DOG	1	
16	09202-04025	PIN (4X31)	1	
17	59441-94J00	SPRING, RETURN	1	
18	59441-99J00	SPRING, DOG	1	
19	57631-93901	ROD, PUSH	1	
20	57632-98501	PIN (6X6)	1	
21	56130-99J30	HOUSING, DRIVE SHAFT	1	
22	09282-13L01	.OIL SEAL (12.5X25X7)	2	
23	56132-99J10	GASKET, DRIVE SHAFT BRG HSG	1	
24	09116-06229	BOLT (6X25)	2	

FIG.84

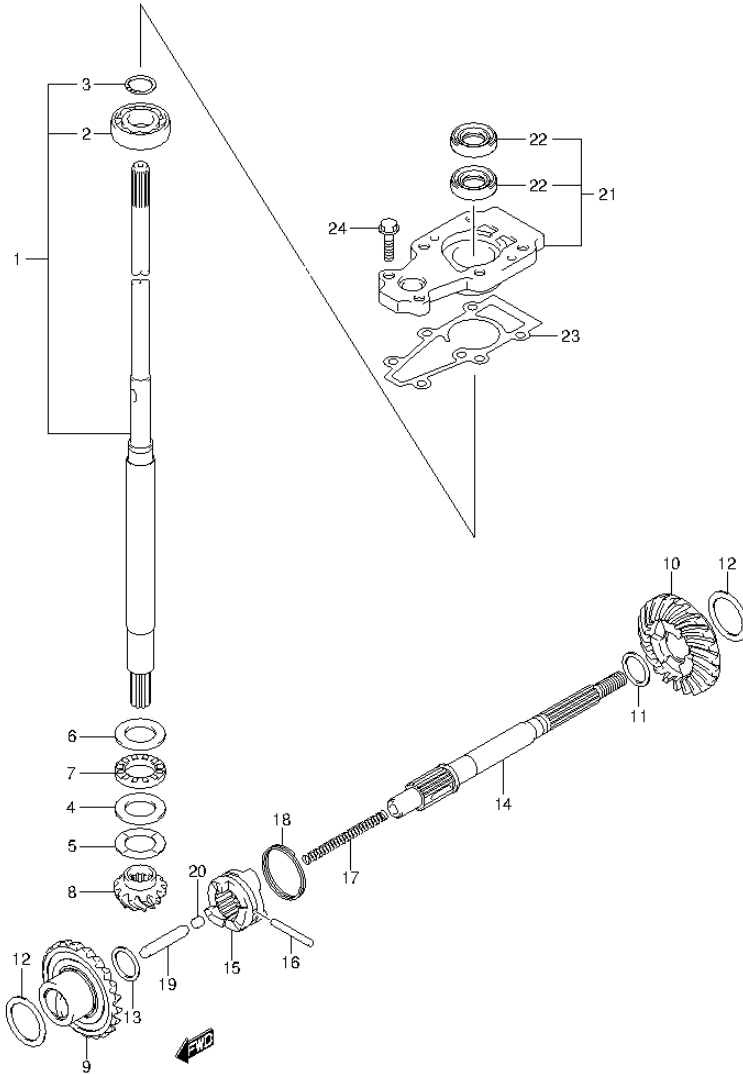
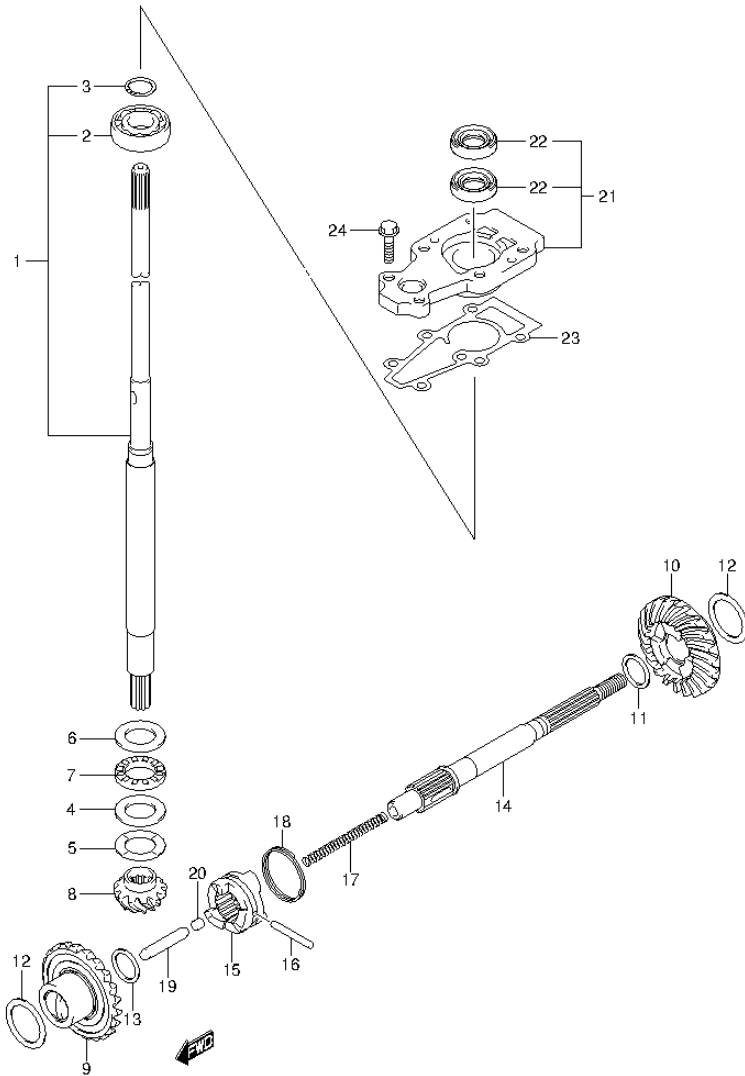


FIG.84 (1-H-5) TRANSMISSION (DF15A P01)

REF NO.	PART NO.	DESCRIPTION	Q'TY	REMARKS
1-1	57100-90L40	SHAFT ASSY, DRIVE (S)	1	W/TRANSOM(S)
1-2	57100-90L30	SHAFT ASSY, DRIVE (L)	1	W/TRANSOM(L)
2	08110-60020	.BEARING	1	
3	09380-15001	.SNAP RING	1	
4	09160-20027	WASHER (20X35X2.75)	1	
5-1	09181-20251	SHIM (T:1.0)	1	
5-2	09160-20042	SHIM (T:1.1)	1	
5-3	09160-20043	SHIM (T:1.2)	1	
5-4	09160-20044	SHIM (T:1.3)	1	
5-5	09181-20244	SHIM (T:0.7)	1	
5-6	09181-20246	SHIM (T:0.8)	1	
5-7	09181-20248	SHIM (T:0.9)	1	
6	09160-21009	WASHER (21X35X2.75)	1	
7	09263-20L04	BEARING (20X35X4.5)	1	
8	57311-99J10	PINION	1	
9	57510-99J10	GEAR, FORWARD (NT:25)	1	
10	57521-99J10	GEAR, REVERSE (NT:25)	1	
11-1	09160-17024	WASHER (T:1.1)	1	REV
11-2	09160-17039	WASHER (T:1.2)	1	REV
11-3	09160-17025	WASHER (T:1.3)	1	REV
11-4	09160-17040	WASHER (T:1.4)	1	REV
11-5	09160-17026	WASHER (T:1.5)	1	REV
11-6	09160-17041	WASHER (T:1.6)	1	REV
11-7	09160-17027	WASHER (T:1.7)	1	REV
11-8	09160-17042	WASHER (T:1.8)	1	REV
11-9	09160-17028	WASHER (T:1.9)	1	REV
12-1	09181-25160	SHIM (T:0.7)	2	
12-2	09181-25162	SHIM (T:0.8)	2	
12-3	09181-25164	SHIM (T:0.9)	2	
12-4	09160-25040	WASHER (T:1.0)	2	
12-5	09160-25041	WASHER (T:1.1)	2	
12-6	09160-25042	WASHER (T:1.2)	2	
12-7	09181-25181	SHIM (T:1.3)	2	
13	09181-15241	WASHER (15X22X2)	1	FWD

**FIG.84**



**FIG.84 (1-H-6) TRANSMISSION (DF15A P01)**

REF NO.	PART NO.	DESCRIPTION	Q'TY	REMARKS
14	57610-99JL0	SHAFT, PROPELLER	1	
15	57621-99J11	SHIFTER, CLUTCH DOG	1	
16	09202-04025	PIN (4X31)	1	
17	59441-94J00	SPRING, RETURN	1	
18	59441-99J00	SPRING, DOG	1	
19	57631-93901	ROD, PUSH	1	
20	57632-98501	PIN (6X6)	1	
21	56130-99J30	HOUSING, DRIVE SHAFT	1	
22	09282-13L01	.OIL SEAL (12.5X25X7)	2	
23	56132-99J10	GASKET, DRIVE SHAFT BRG HSG	1	
24	09116-06229	BOLT (6X25)	2	

FIG.85

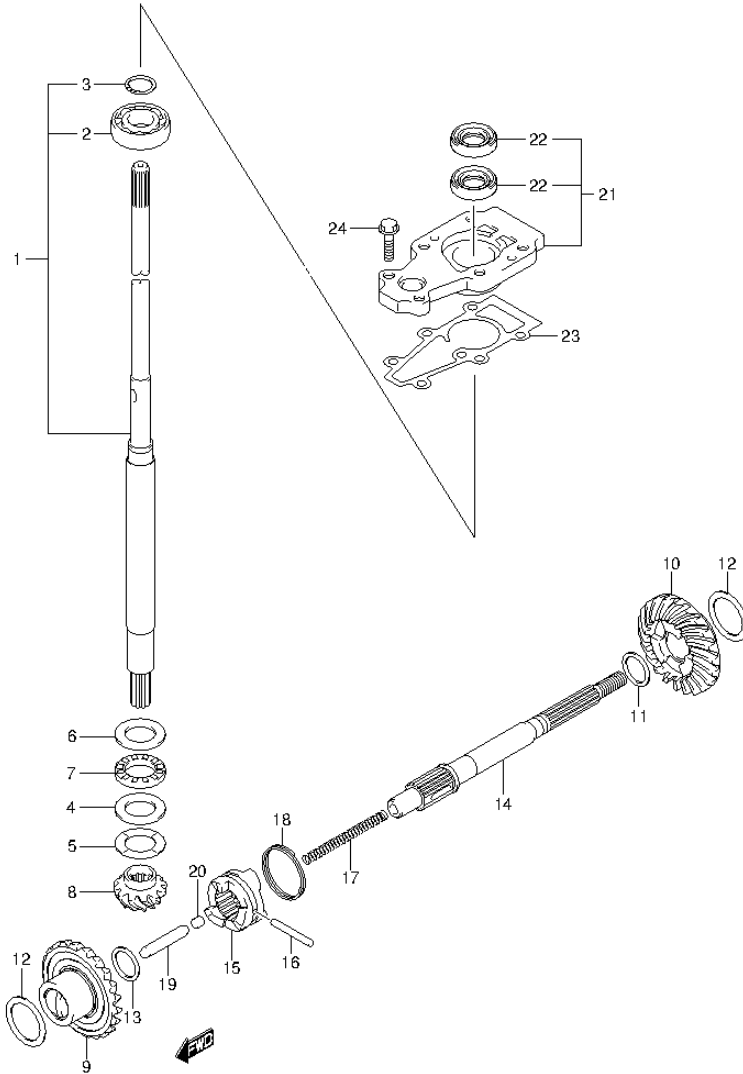
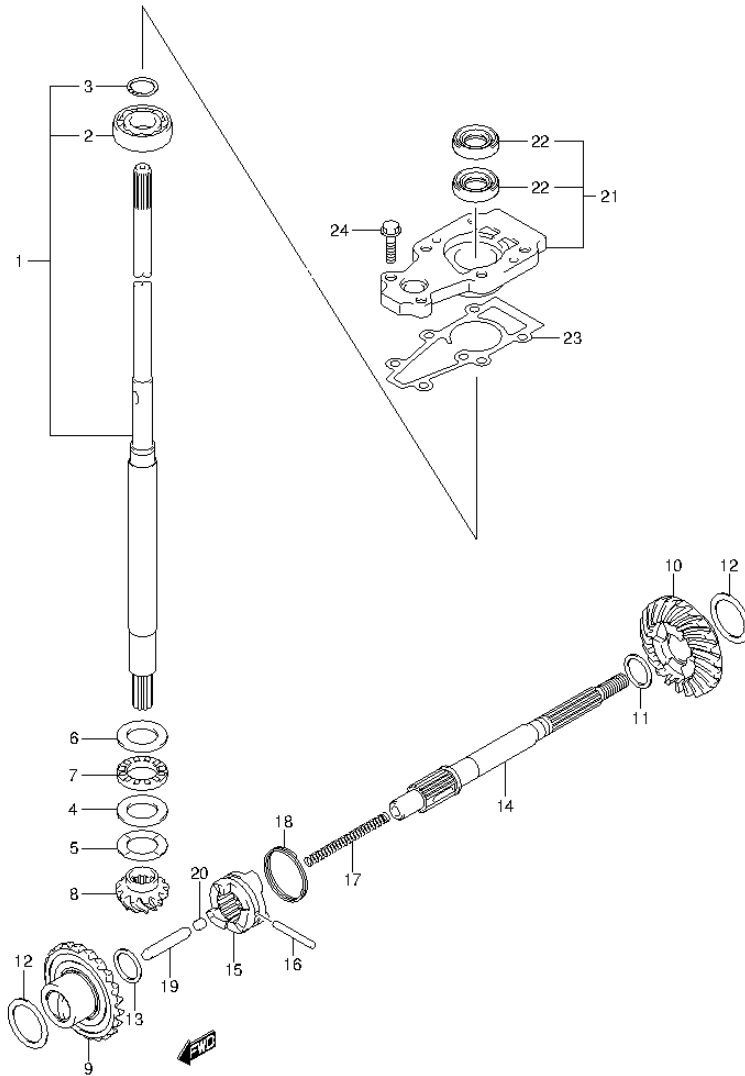


FIG.85 (1-H-7) TRANSMISSION (DF15AR P01)

REF NO.	PART NO.	DESCRIPTION	Q'TY	REMARKS
1-1	57100-90L40	SHAFT ASSY, DRIVE (S)	1	W/TRANSOM(S)
1-2	57100-90L30	SHAFT ASSY, DRIVE (L)	1	W/TRANSOM(L)
2	08110-60020	.BEARING	1	
3	09380-15001	.SNAP RING	1	
4	09160-20027	WASHER (20X35X2.75)	1	
5-1	09181-20251	SHIM (T:1.0)	1	
5-2	09160-20042	SHIM (T:1.1)	1	
5-3	09160-20043	SHIM (T:1.2)	1	
5-4	09160-20044	SHIM (T:1.3)	1	
5-5	09181-20244	SHIM (T:0.7)	1	
5-6	09181-20246	SHIM (T:0.8)	1	
5-7	09181-20248	SHIM (T:0.9)	1	
6	09160-21009	WASHER (21X35X2.75)	1	
7	09263-20L04	BEARING (20X35X4.5)	1	
8	57311-99J10	PINION	1	
9	57510-99J10	GEAR, FORWARD (NT:25)	1	
10	57521-99J10	GEAR, REVERSE (NT:25)	1	
11-1	09160-17024	WASHER (T:1.1)	1	REV
11-2	09160-17039	WASHER (T:1.2)	1	REV
11-3	09160-17025	WASHER (T:1.3)	1	REV
11-4	09160-17040	WASHER (T:1.4)	1	REV
11-5	09160-17026	WASHER (T:1.5)	1	REV
11-6	09160-17041	WASHER (T:1.6)	1	REV
11-7	09160-17027	WASHER (T:1.7)	1	REV
11-8	09160-17042	WASHER (T:1.8)	1	REV
11-9	09160-17028	WASHER (T:1.9)	1	REV
12-1	09181-25160	SHIM (T:0.7)	2	
12-2	09181-25162	SHIM (T:0.8)	2	
12-3	09181-25164	SHIM (T:0.9)	2	
12-4	09160-25040	WASHER (T:1.0)	2	
12-5	09160-25041	WASHER (T:1.1)	2	
12-6	09160-25042	WASHER (T:1.2)	2	
12-7	09181-25181	SHIM (T:1.3)	2	
13	09181-15241	WASHER (15X22X2)	1	FWD

**FIG.85**



**FIG.85 (1-H-8) TRANSMISSION (DF15AR P01)**

REF NO.	PART NO.	DESCRIPTION	Q'TY	REMARKS
14	57610-99JL0	SHAFT, PROPELLER	1	
15	57621-99J11	SHIFTER, CLUTCH DOG	1	
16	09202-04025	PIN (4X31)	1	
17	59441-94J00	SPRING, RETURN	1	
18	59441-99J00	SPRING, DOG	1	
19	57631-93901	ROD, PUSH	1	
20	57632-98501	PIN (6X6)	1	
21	56130-99J30	HOUSING, DRIVE SHAFT	1	
22	09282-13L01	.OIL SEAL (12.5X25X7)	2	
23	56132-99J10	GASKET, DRIVE SHAFT BRG HSG	1	
24	09116-06229	BOLT (6X25)	2	



FIG.86

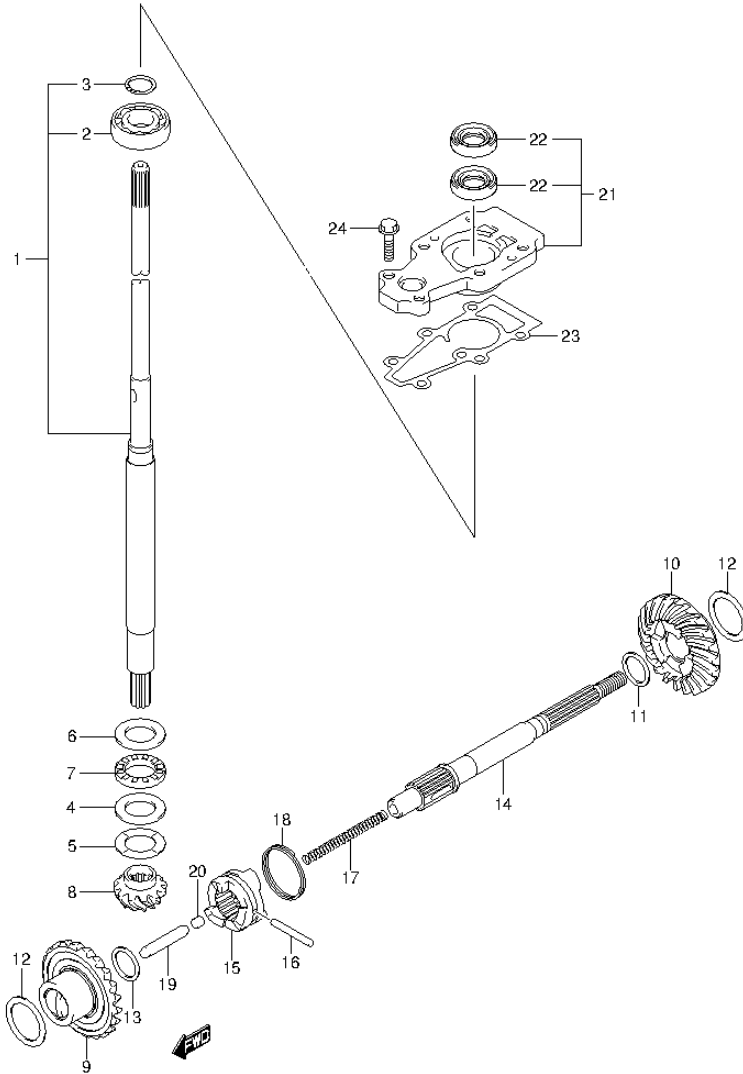
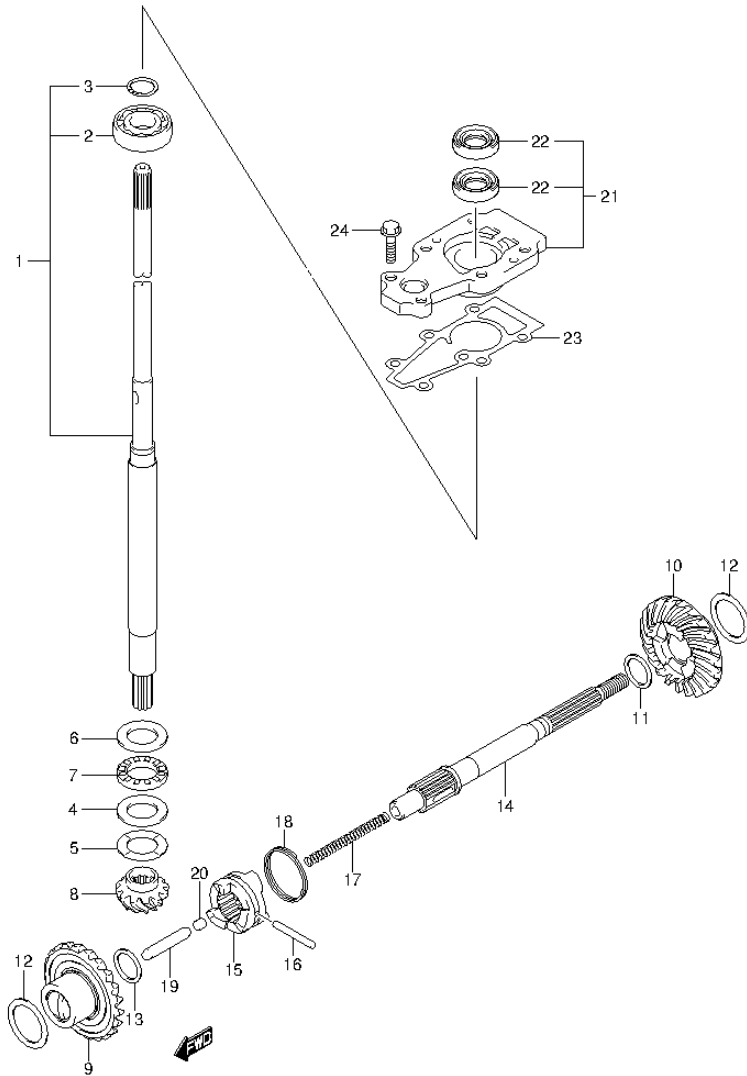


FIG.86 (1-H-9) TRANSMISSION (DF15ATH P01)

REF NO.	PART NO.	DESCRIPTION	Q'TY	REMARKS
1-1	57100-90L40	SHAFT ASSY, DRIVE (S)	1	W/TRANSOM(S)
1-2	57100-90L30	SHAFT ASSY, DRIVE (L)	1	W/TRANSOM(L)
2	08110-60020	.BEARING	1	
3	09380-15001	.SNAP RING	1	
4	09160-20027	WASHER (20X35X2.75)	1	
5-1	09181-20251	SHIM (T:1.0)	1	
5-2	09160-20042	SHIM (T:1.1)	1	
5-3	09160-20043	SHIM (T:1.2)	1	
5-4	09160-20044	SHIM (T:1.3)	1	
5-5	09181-20244	SHIM (T:0.7)	1	
5-6	09181-20246	SHIM (T:0.8)	1	
5-7	09181-20248	SHIM (T:0.9)	1	
6	09160-21009	WASHER (21X35X2.75)	1	
7	09263-20L04	BEARING (20X35X4.5)	1	
8	57311-99J10	PINION	1	
9	57510-99J10	GEAR, FORWARD (NT:25)	1	
10	57521-99J10	GEAR, REVERSE (NT:25)	1	
11-1	09160-17053	WASHER (T:1.1)	1	REV
11-2	09160-17054	WASHER (T:1.2)	1	REV
11-3	09160-17055	WASHER (T:1.3)	1	REV
11-4	09160-17056	WASHER (T:1.4)	1	REV
11-5	09160-17057	WASHER (T:1.5)	1	REV
11-6	09160-17058	WASHER (T:1.6)	1	REV
11-7	09160-17059	WASHER (T:1.7)	1	REV
11-8	09160-17060	WASHER (T:1.8)	1	REV
11-9	09160-17061	WASHER (T:1.9)	1	REV
12-1	09181-25160	SHIM (T:0.7)	2	
12-2	09181-25162	SHIM (T:0.8)	2	
12-3	09181-25164	SHIM (T:0.9)	2	
12-4	09160-25040	WASHER (T:1.0)	2	
12-5	09160-25041	WASHER (T:1.1)	2	
12-6	09160-25042	WASHER (T:1.2)	2	
12-7	09181-25181	SHIM (T:1.3)	2	
13	09181-15241	WASHER (15X22X2)	1	FWD

**FIG.86**



**FIG.86 (1-H-10) TRANSMISSION (DF15ATH P01)**

REF NO.	PART NO.	DESCRIPTION	Q'TY	REMARKS
14	57610-99JL0	SHAFT, PROPELLER	1	
15	57621-99J11	SHIFTER, CLUTCH DOG	1	
16	09202-04025	PIN (4X31)	1	
17	59441-94J00	SPRING, RETURN	1	
18	59441-99J00	SPRING, DOG	1	
19	57631-93901	ROD, PUSH	1	
20	57632-98501	PIN (6X6)	1	
21	56130-99J30	HOUSING, DRIVE SHAFT	1	
22	09282-13L01	.OIL SEAL (12.5X25X7)	2	
23	56132-99J10	GASKET, DRIVE SHAFT BRG HSG	1	
24	09116-06229	BOLT (6X25)	2	

FIG.87

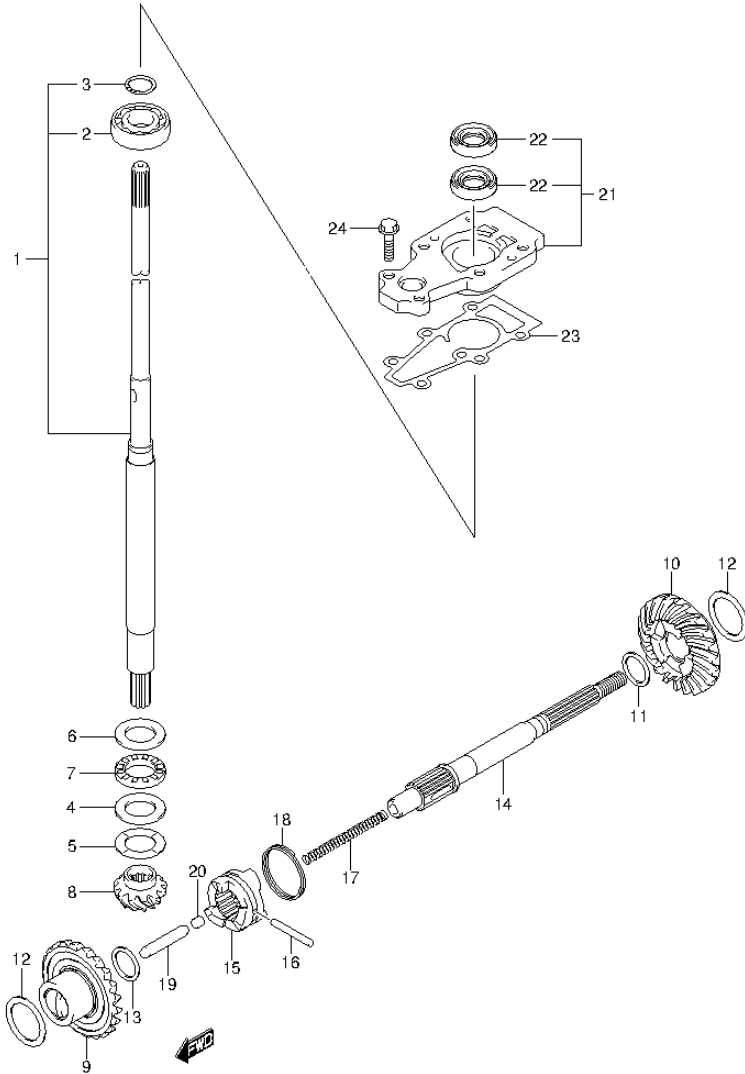
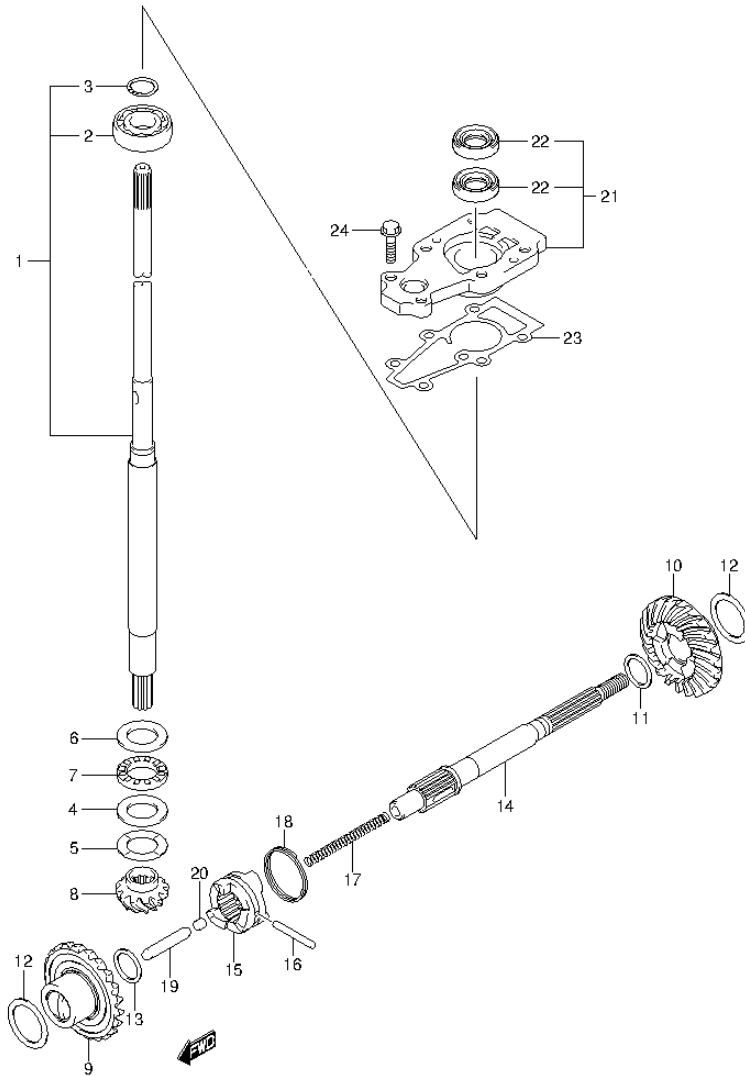


FIG.87 (1-H-11) TRANSMISSION (DF20A P01)

REF NO.	PART NO.	DESCRIPTION	Q'TY	REMARKS
1-1	57100-90L40	SHAFT ASSY, DRIVE (S)	1	W/TRANSOM(S)
1-2	57100-90L30	SHAFT ASSY, DRIVE (L)	1	W/TRANSOM(L)
2	08110-60020	.BEARING	1	
3	09380-15001	.SNAP RING	1	
4	09160-20027	WASHER (20X35X2.75)	1	
5-1	09181-20251	SHIM (T:1.0)	1	
5-2	09160-20042	SHIM (T:1.1)	1	
5-3	09160-20043	SHIM (T:1.2)	1	
5-4	09160-20044	SHIM (T:1.3)	1	
5-5	09181-20244	SHIM (T:0.7)	1	
5-6	09181-20246	SHIM (T:0.8)	1	
5-7	09181-20248	SHIM (T:0.9)	1	
6	09160-21009	WASHER (21X35X2.75)	1	
7	09263-20L04	BEARING (20X35X4.5)	1	
8	57311-99J10	PINION	1	
9	57510-99J10	GEAR, FORWARD (NT:25)	1	
10	57521-99J10	GEAR, REVERSE (NT:25)	1	
11-1	09160-17024	WASHER (T:1.1)	1	REV
11-2	09160-17039	WASHER (T:1.2)	1	REV
11-3	09160-17025	WASHER (T:1.3)	1	REV
11-4	09160-17040	WASHER (T:1.4)	1	REV
11-5	09160-17026	WASHER (T:1.5)	1	REV
11-6	09160-17041	WASHER (T:1.6)	1	REV
11-7	09160-17027	WASHER (T:1.7)	1	REV
11-8	09160-17042	WASHER (T:1.8)	1	REV
11-9	09160-17028	WASHER (T:1.9)	1	REV
12-1	09181-25160	SHIM (T:0.7)	2	
12-2	09181-25162	SHIM (T:0.8)	2	
12-3	09181-25164	SHIM (T:0.9)	2	
12-4	09160-25040	WASHER (T:1.0)	2	
12-5	09160-25041	WASHER (T:1.1)	2	
12-6	09160-25042	WASHER (T:1.2)	2	
12-7	09181-25181	SHIM (T:1.3)	2	
13	09181-15241	WASHER (15X22X2)	1	FWD

**FIG.87**



**FIG.87 (1-H-12) TRANSMISSION (DF20A P01)**

REF NO.	PART NO.	DESCRIPTION	Q'TY	REMARKS
14	57610-99JL0	SHAFT, PROPELLER	1	
15	57621-99J11	SHIFTER, CLUTCH DOG	1	
16	09202-04025	PIN (4X31)	1	
17	59441-94J00	SPRING, RETURN	1	
18	59441-99J00	SPRING, DOG	1	
19	57631-93901	ROD, PUSH	1	
20	57632-98501	PIN (6X6)	1	
21	56130-99J30	HOUSING, DRIVE SHAFT	1	
22	09282-13L01	.OIL SEAL (12.5X25X7)	2	
23	56132-99J10	GASKET, DRIVE SHAFT BRG HSG	1	
24	09116-06229	BOLT (6X25)	2	

FIG.88

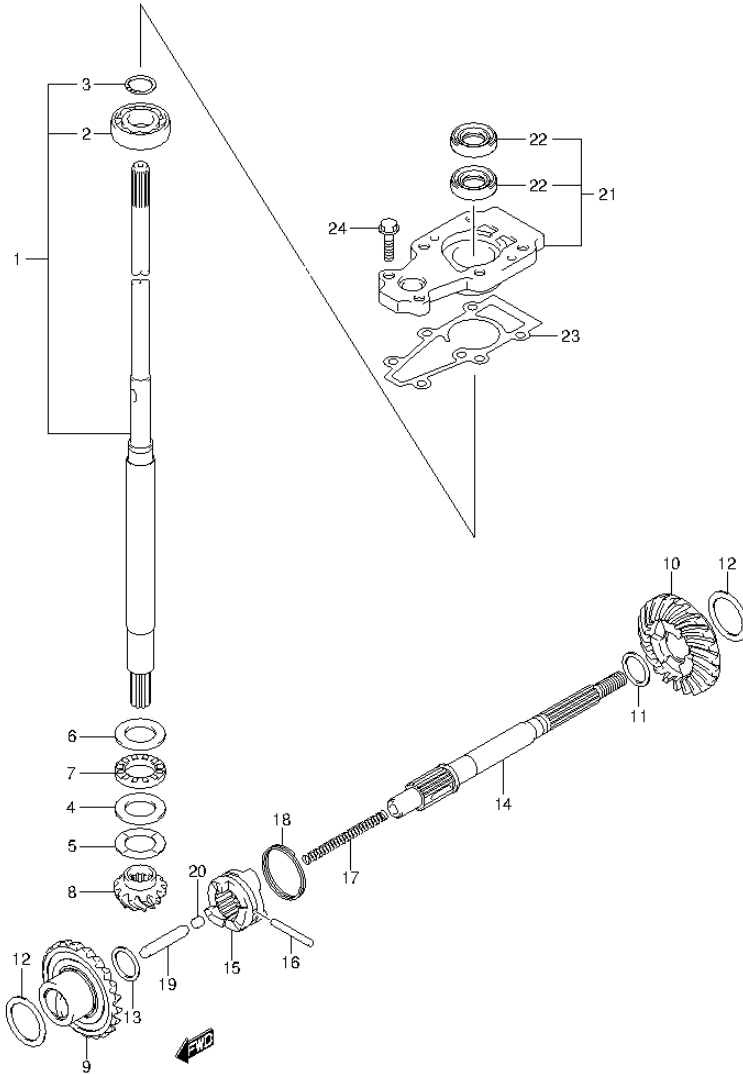


FIG.88 (1-H-13) TRANSMISSION (DF20A P40)

REF NO.	PART NO.	DESCRIPTION	Q'TY	REMARKS
1-1	57100-90L40	SHAFT ASSY, DRIVE (S)	1	W/TRANSOM(S)
1-2	57100-90L30	SHAFT ASSY, DRIVE (L)	1	W/TRANSOM(L)
2	08110-60020	.BEARING	1	
3	09380-15001	.SNAP RING	1	
4	09160-20027	WASHER (20X35X2.75)	1	
5-1	09181-20251	SHIM (T:1.0)	1	
5-2	09160-20042	SHIM (T:1.1)	1	
5-3	09160-20043	SHIM (T:1.2)	1	
5-4	09160-20044	SHIM (T:1.3)	1	
5-5	09181-20244	SHIM (T:0.7)	1	
5-6	09181-20246	SHIM (T:0.8)	1	
5-7	09181-20248	SHIM (T:0.9)	1	
6	09160-21009	WASHER (21X35X2.75)	1	
7	09263-20L04	BEARING (20X35X4.5)	1	
8	57311-99J10	PINION	1	
9	57510-99J10	GEAR, FORWARD (NT:25)	1	
10	57521-99J10	GEAR, REVERSE (NT:25)	1	
11-1	09160-17024	WASHER (T:1.1)	1	REV
11-2	09160-17039	WASHER (T:1.2)	1	REV
11-3	09160-17025	WASHER (T:1.3)	1	REV
11-4	09160-17040	WASHER (T:1.4)	1	REV
11-5	09160-17026	WASHER (T:1.5)	1	REV
11-6	09160-17041	WASHER (T:1.6)	1	REV
11-7	09160-17027	WASHER (T:1.7)	1	REV
11-8	09160-17042	WASHER (T:1.8)	1	REV
11-9	09160-17028	WASHER (T:1.9)	1	REV
12-1	09181-25160	SHIM (T:0.7)	2	
12-2	09181-25162	SHIM (T:0.8)	2	
12-3	09181-25164	SHIM (T:0.9)	2	
12-4	09160-25040	WASHER (T:1.0)	2	
12-5	09160-25041	WASHER (T:1.1)	2	
12-6	09160-25042	WASHER (T:1.2)	2	
12-7	09181-25181	SHIM (T:1.3)	2	
13	09181-15241	WASHER (15X22X2)	1	FWD

FIG.88

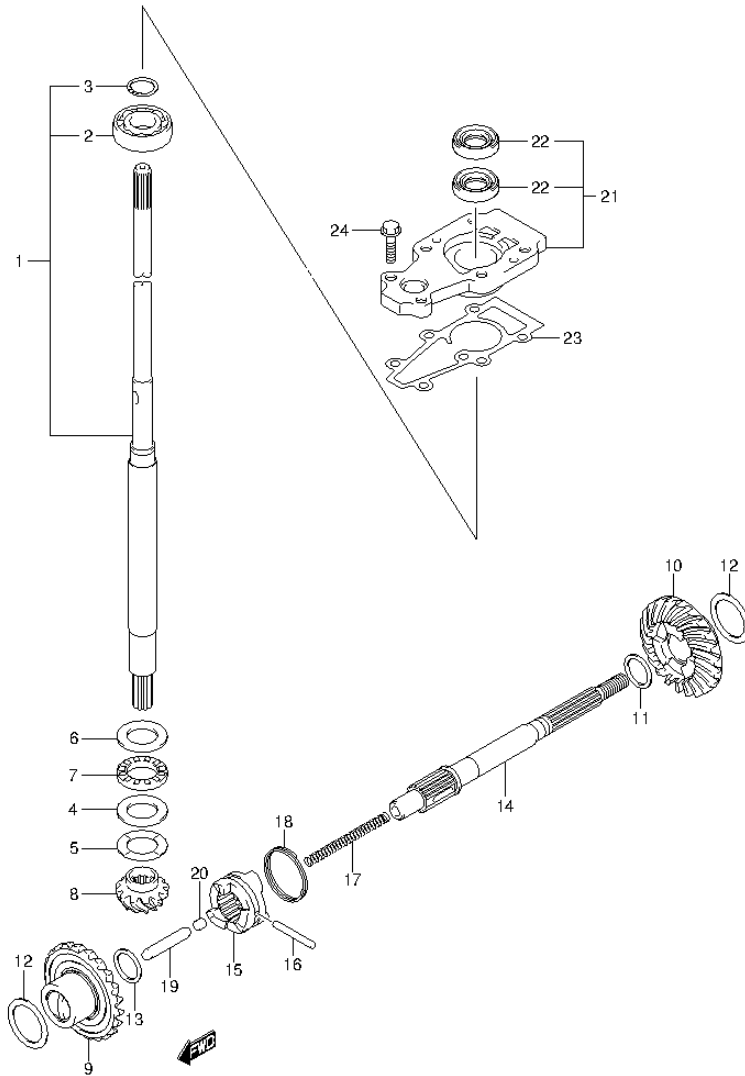


FIG.88 (1-H-14) TRANSMISSION (DF20A P40)

REF NO.	PART NO.	DESCRIPTION	Q'TY	REMARKS
14	57610-99JL0	SHAFT, PROPELLER	1	
15	57621-99J11	SHIFTER, CLUTCH DOG	1	
16	09202-04025	PIN (4X31)	1	
17	59441-94J00	SPRING, RETURN	1	
18	59441-99J00	SPRING, DOG	1	
19	57631-93901	ROD, PUSH	1	
20	57632-98501	PIN (6X6)	1	
21	56130-99J30	HOUSING, DRIVE SHAFT	1	
22	09282-13L01	.OIL SEAL (12.5X25X7)	2	
23	56132-99J10	GASKET, DRIVE SHAFT BRG HSG	1	
24	09116-06229	BOLT (6X25)	2	

FIG.89

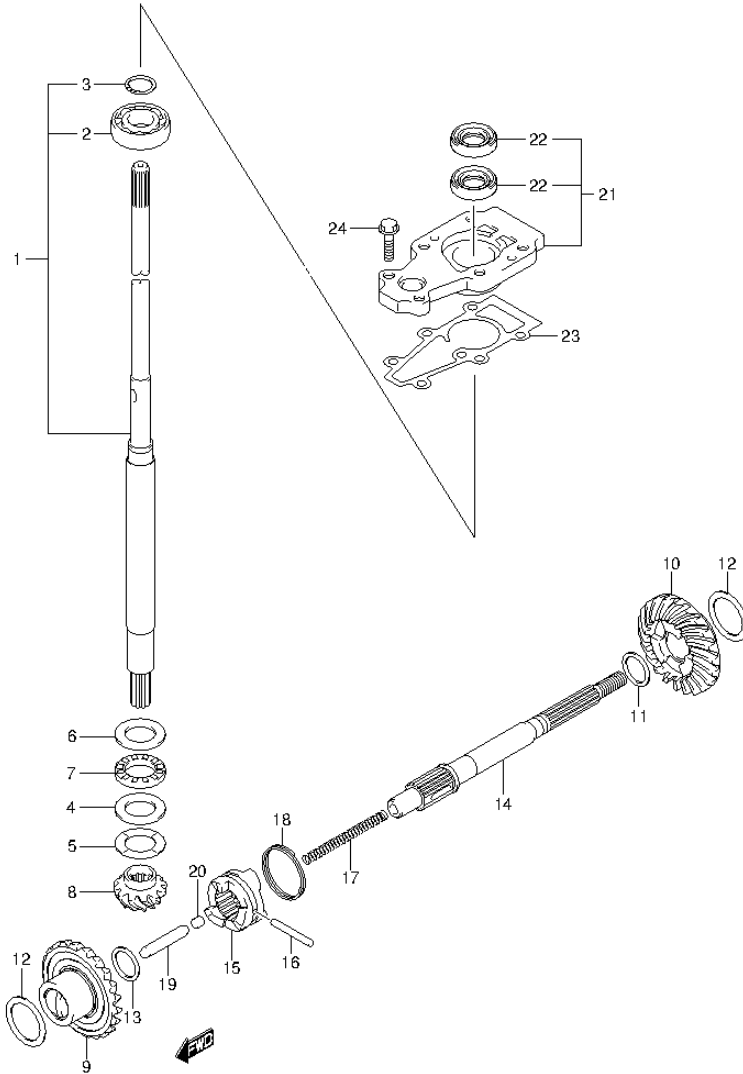
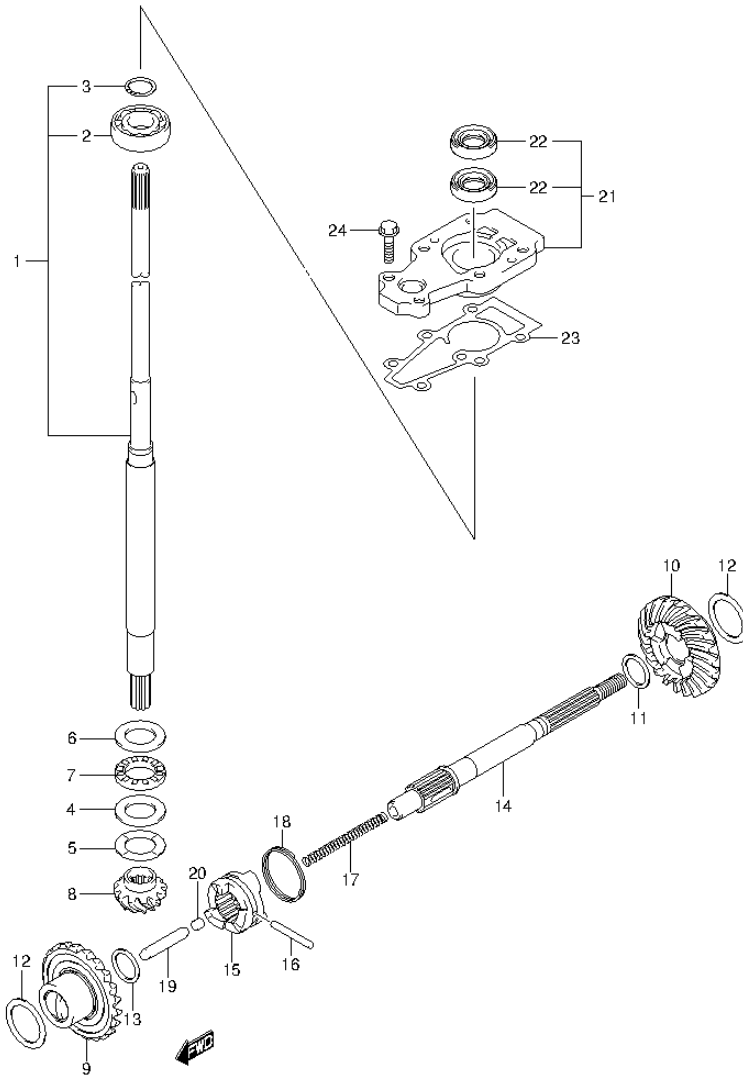


FIG.89 (1-H-15) TRANSMISSION (DF20AR P01)

REF NO.	PART NO.	DESCRIPTION	Q'TY	REMARKS
1-1	57100-90L40	SHAFT ASSY, DRIVE (S)	1	W/TRANSOM(S)
1-2	57100-90L30	SHAFT ASSY, DRIVE (L)	1	W/TRANSOM(L)
2	08110-60020	.BEARING	1	
3	09380-15001	.SNAP RING	1	
4	09160-20027	WASHER (20X35X2.75)	1	
5-1	09181-20251	SHIM (T:1.0)	1	
5-2	09160-20042	SHIM (T:1.1)	1	
5-3	09160-20043	SHIM (T:1.2)	1	
5-4	09160-20044	SHIM (T:1.3)	1	
5-5	09181-20244	SHIM (T:0.7)	1	
5-6	09181-20246	SHIM (T:0.8)	1	
5-7	09181-20248	SHIM (T:0.9)	1	
6	09160-21009	WASHER (21X35X2.75)	1	
7	09263-20L04	BEARING (20X35X4.5)	1	
8	57311-99J10	PINION	1	
9	57510-99J10	GEAR, FORWARD (NT:25)	1	
10	57521-99J10	GEAR, REVERSE (NT:25)	1	
11-1	09160-17024	WASHER (T:1.1)	1	REV
11-2	09160-17039	WASHER (T:1.2)	1	REV
11-3	09160-17025	WASHER (T:1.3)	1	REV
11-4	09160-17040	WASHER (T:1.4)	1	REV
11-5	09160-17026	WASHER (T:1.5)	1	REV
11-6	09160-17041	WASHER (T:1.6)	1	REV
11-7	09160-17027	WASHER (T:1.7)	1	REV
11-8	09160-17042	WASHER (T:1.8)	1	REV
11-9	09160-17028	WASHER (T:1.9)	1	REV
12-1	09181-25160	SHIM (T:0.7)	2	
12-2	09181-25162	SHIM (T:0.8)	2	
12-3	09181-25164	SHIM (T:0.9)	2	
12-4	09160-25040	WASHER (T:1.0)	2	
12-5	09160-25041	WASHER (T:1.1)	2	
12-6	09160-25042	WASHER (T:1.2)	2	
12-7	09181-25181	SHIM (T:1.3)	2	
13	09181-15241	WASHER (15X22X2)	1	FWD

**FIG.89**

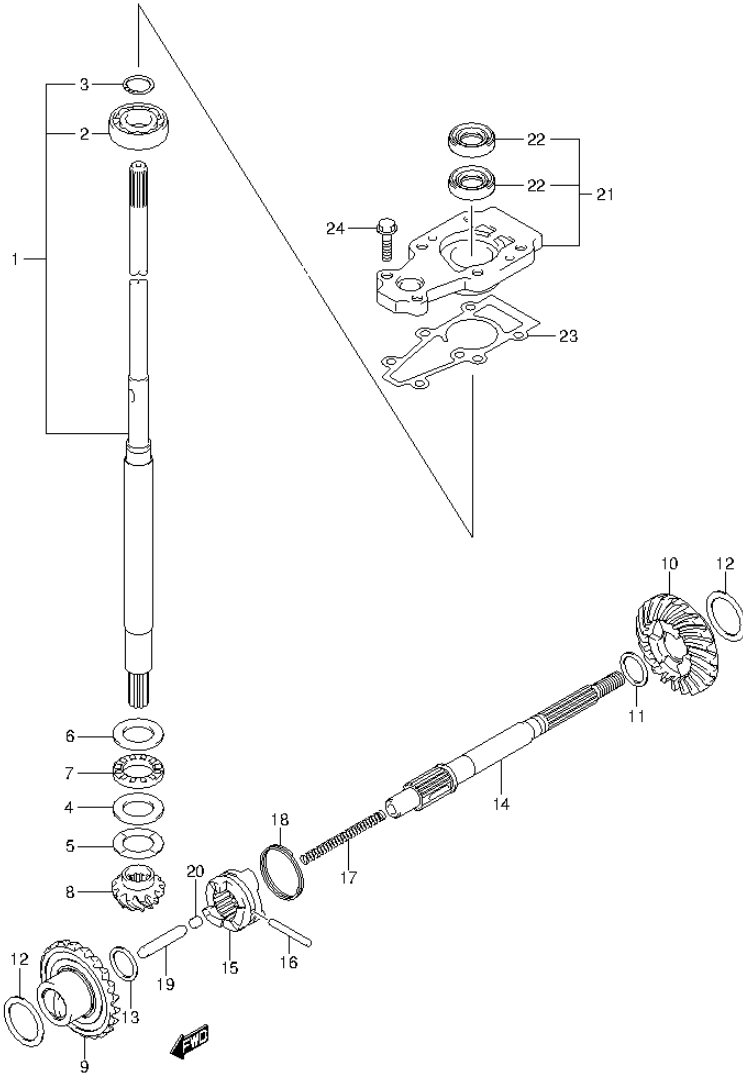


**FIG.89 (1-I-2) TRANSMISSION (DF20AR P01)**

REF NO.	PART NO.	DESCRIPTION	Q'TY	REMARKS
14	57610-99JL0	SHAFT, PROPELLER	1	
15	57621-99J11	SHIFTER, CLUTCH DOG	1	
16	09202-04025	PIN (4X31)	1	
17	59441-94J00	SPRING, RETURN	1	
18	59441-99J00	SPRING, DOG	1	
19	57631-93901	ROD, PUSH	1	
20	57632-98501	PIN (6X6)	1	
21	56130-99J30	HOUSING, DRIVE SHAFT	1	
22	09282-13L01	.OIL SEAL (12.5X25X7)	2	
23	56132-99J10	GASKET, DRIVE SHAFT BRG HSG	1	
24	09116-06229	BOLT (6X25)	2	



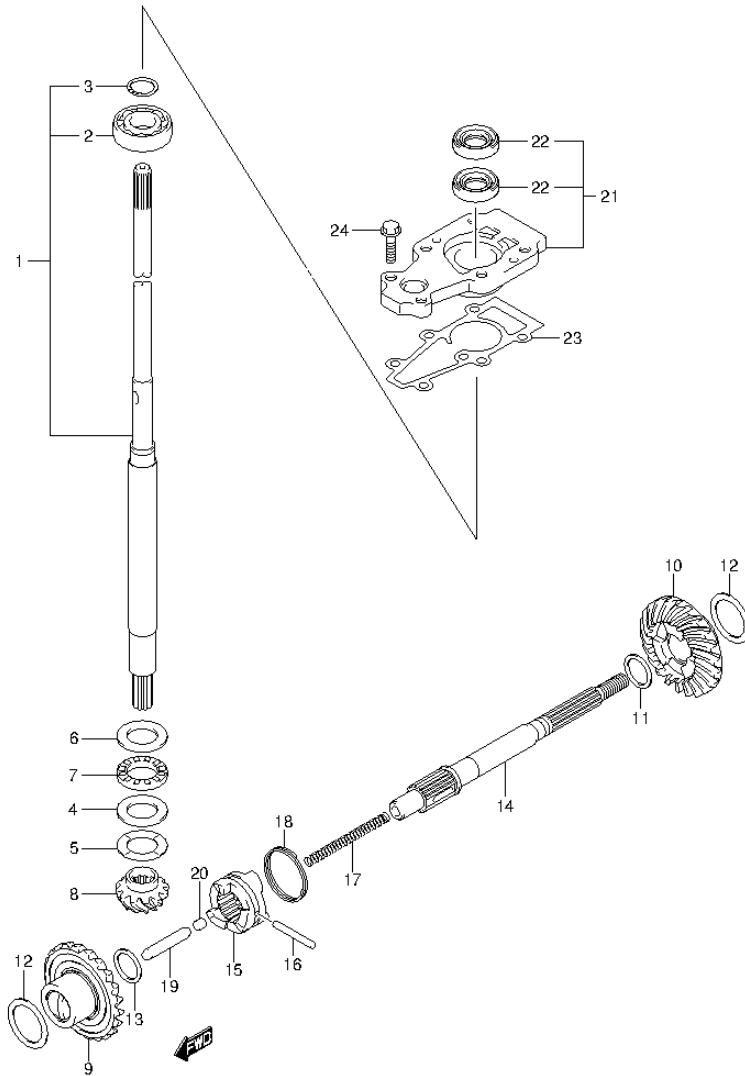
**FIG.90**



**FIG.90 (1-1-3) TRANSMISSION (DF20AT P01)**

REF NO.	PART NO.	DESCRIPTION	Q'TY	REMARKS
1-1	57100-90L40	SHAFT ASSY, DRIVE (S)	1	W/TRANSOM(S)
1-2	57100-90L30	SHAFT ASSY, DRIVE (L)	1	W/TRANSOM(L)
2	08110-60020	.BEARING	1	
3	09380-15001	.SNAP RING	1	
4	09160-20027	WASHER (20X35X2.75)	1	
5-1	09181-20251	SHIM (T:1.0)	1	
5-2	09160-20042	SHIM (T:1.1)	1	
5-3	09160-20043	SHIM (T:1.2)	1	
5-4	09160-20044	SHIM (T:1.3)	1	
5-5	09181-20244	SHIM (T:0.7)	1	
5-6	09181-20246	SHIM (T:0.8)	1	
5-7	09181-20248	SHIM (T:0.9)	1	
6	09160-21009	WASHER (21X35X2.75)	1	
7	09263-20L04	BEARING (20X35X4.5)	1	
8	57311-99J10	PINION	1	
9	57510-99J10	GEAR, FORWARD (NT:25)	1	
10	57521-99J10	GEAR, REVERSE (NT:25)	1	
11-1	09160-17053	WASHER (T:1.1)	1	REV
11-2	09160-17054	WASHER (T:1.2)	1	REV
11-3	09160-17055	WASHER (T:1.3)	1	REV
11-4	09160-17056	WASHER (T:1.4)	1	REV
11-5	09160-17057	WASHER (T:1.5)	1	REV
11-6	09160-17058	WASHER (T:1.6)	1	REV
11-7	09160-17059	WASHER (T:1.7)	1	REV
11-8	09160-17060	WASHER (T:1.8)	1	REV
11-9	09160-17061	WASHER (T:1.9)	1	REV
12-1	09181-25160	SHIM (T:0.7)	2	
12-2	09181-25162	SHIM (T:0.8)	2	
12-3	09181-25164	SHIM (T:0.9)	2	
12-4	09160-25040	WASHER (T:1.0)	2	
12-5	09160-25041	WASHER (T:1.1)	2	
12-6	09160-25042	WASHER (T:1.2)	2	
12-7	09181-25181	SHIM (T:1.3)	2	
13	09181-15241	WASHER (15X22X2)	1	FWD

**FIG.90**



**FIG.90 (1-I-4) TRANSMISSION (DF20AT P01)**

REF NO.	PART NO.	DESCRIPTION	Q'TY	REMARKS
14	57610-99JL0	SHAFT, PROPELLER	1	
15	57621-99J11	SHIFTER, CLUTCH DOG	1	
16	09202-04025	PIN (4X31)	1	
17	59441-94J00	SPRING, RETURN	1	
18	59441-99J00	SPRING, DOG	1	
19	57631-93901	ROD, PUSH	1	
20	57632-98501	PIN (6X6)	1	
21	56130-99J30	HOUSING, DRIVE SHAFT	1	
22	09282-13L01	.OIL SEAL (12.5X25X7)	2	
23	56132-99J10	GASKET, DRIVE SHAFT BRG HSG	1	
24	09116-06229	BOLT (6X25)	2	

FIG.91

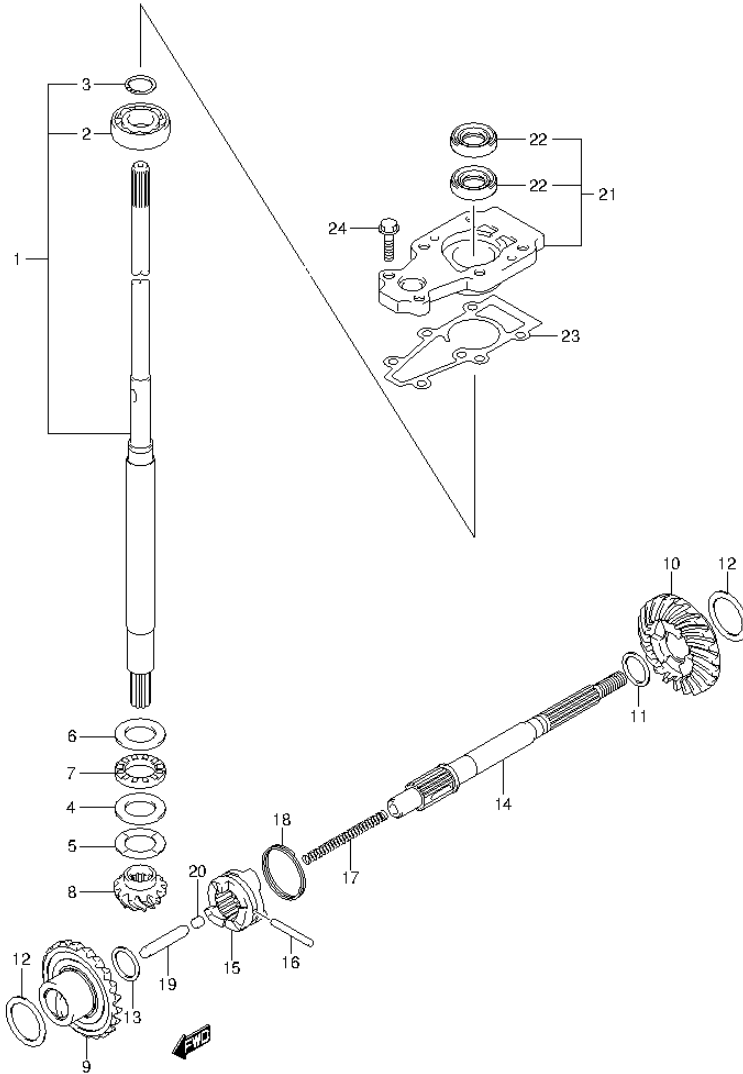
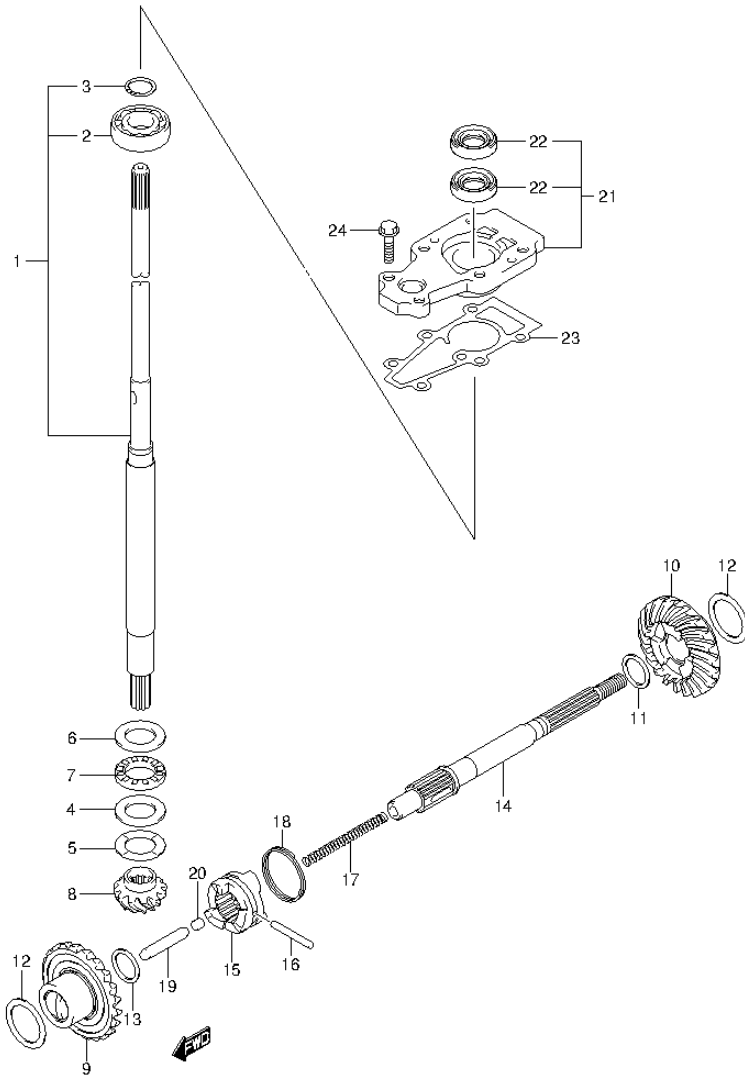


FIG.91 (1-1-5) TRANSMISSION (DF20ATH P01)

REF NO.	PART NO.	DESCRIPTION	Q'TY	REMARKS
1-1	57100-90L40	SHAFT ASSY, DRIVE (S)	1	W/TRANSOM(S)
1-2	57100-90L30	SHAFT ASSY, DRIVE (L)	1	W/TRANSOM(L)
2	08110-60020	.BEARING	1	
3	09380-15001	.SNAP RING	1	
4	09160-20027	WASHER (20X35X2.75)	1	
5-1	09181-20251	SHIM (T:1.0)	1	
5-2	09160-20042	SHIM (T:1.1)	1	
5-3	09160-20043	SHIM (T:1.2)	1	
5-4	09160-20044	SHIM (T:1.3)	1	
5-5	09181-20244	SHIM (T:0.7)	1	
5-6	09181-20246	SHIM (T:0.8)	1	
5-7	09181-20248	SHIM (T:0.9)	1	
6	09160-21009	WASHER (21X35X2.75)	1	
7	09263-20L04	BEARING (20X35X4.5)	1	
8	57311-99J10	PINION	1	
9	57510-99J10	GEAR, FORWARD (NT:25)	1	
10	57521-99J10	GEAR, REVERSE (NT:25)	1	
11-1	09160-17053	WASHER (T:1.1)	1	REV
11-2	09160-17054	WASHER (T:1.2)	1	REV
11-3	09160-17055	WASHER (T:1.3)	1	REV
11-4	09160-17056	WASHER (T:1.4)	1	REV
11-5	09160-17057	WASHER (T:1.5)	1	REV
11-6	09160-17058	WASHER (T:1.6)	1	REV
11-7	09160-17059	WASHER (T:1.7)	1	REV
11-8	09160-17060	WASHER (T:1.8)	1	REV
11-9	09160-17061	WASHER (T:1.9)	1	REV
12-1	09181-25160	SHIM (T:0.7)	2	
12-2	09181-25162	SHIM (T:0.8)	2	
12-3	09181-25164	SHIM (T:0.9)	2	
12-4	09160-25040	WASHER (T:1.0)	2	
12-5	09160-25041	WASHER (T:1.1)	2	
12-6	09160-25042	WASHER (T:1.2)	2	
12-7	09181-25181	SHIM (T:1.3)	2	
13	09181-15241	WASHER (15X22X2)	1	FWD

**FIG.91**



**FIG.91 (1-I-6) TRANSMISSION (DF20ATH P01)**

REF NO.	PART NO.	DESCRIPTION	Q'TY	REMARKS
14	57610-99JL0	SHAFT, PROPELLER	1	
15	57621-99J11	SHIFTER, CLUTCH DOG	1	
16	09202-04025	PIN (4X31)	1	
17	59441-94J00	SPRING, RETURN	1	
18	59441-99J00	SPRING, DOG	1	
19	57631-93901	ROD, PUSH	1	
20	57632-98501	PIN (6X6)	1	
21	56130-99J30	HOUSING, DRIVE SHAFT	1	
22	09282-13L01	.OIL SEAL (12.5X25X7)	2	
23	56132-99J10	GASKET, DRIVE SHAFT BRG HSG	1	
24	09116-06229	BOLT (6X25)	2	

FIG.92

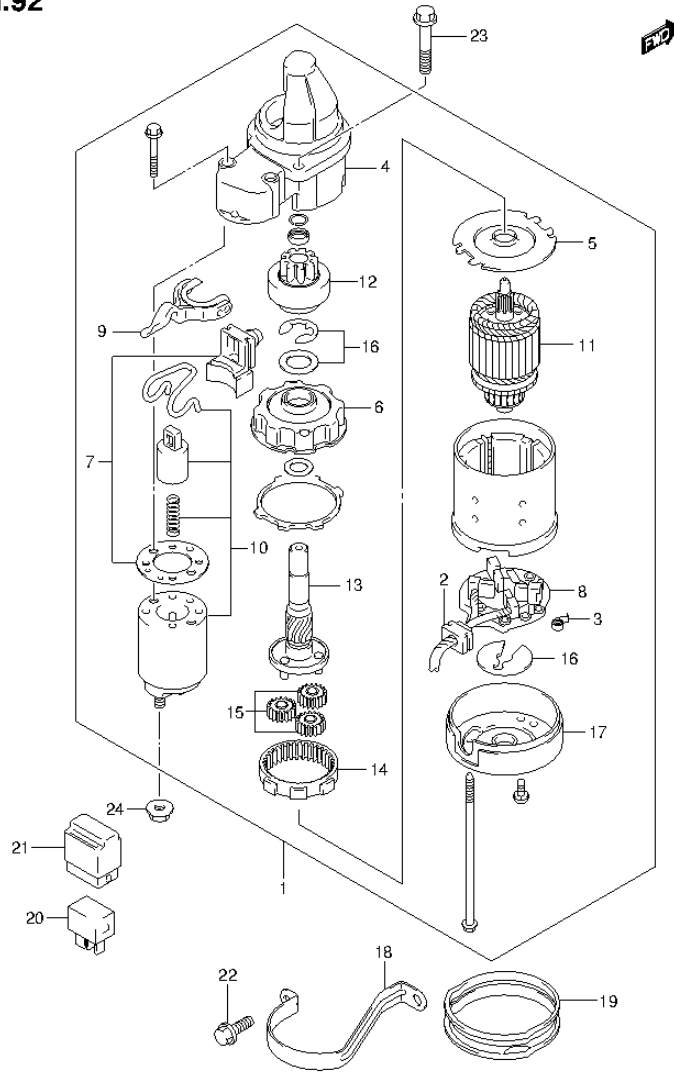


FIG.92 (1-I-7) STARTING MOTOR (ELECTRIC STARTER)

REF NO.	PART NO.	DESCRIPTION	Q'TY	REMARKS
1	31100-94J21	STARTING MOTOR	1	
2	31131-94J00	.BRUSH SET, PLUS	1	
3	31135-90J00	.SPRING	4	
4	31151-94J00	.CASE, GEAR	1	
5	31152-90J00	.PLATE, CENTER	1	
6	31153-90J00	.BRACKET, PLANET GEAR	1	
7	31171-96J00	.COVER KIT, DUST	1	
8	31173-94J00	.HOLDER ASSY, BRUSH	1	
9	31191-96J00	.LEVER, SHIFT	1	
10	31220-94J00	.SWITCH, MAGNET	1	
11	31310-90J00	.ARMATURE	1	
12	31320-94J00	.PINION	1	
13	31341-94J00	.SHAFT, PINION	1	
14	31343-90J00	.INTERNAL GEAR	1	
15	31344-90J00	.GEAR, PLANETARY	3	
16	31360-93J01	.WASHER SET	1	
17	31170-94J00	.COVER ASSY, STATER MOTOR REAR	1	
18	31912-89L00	BAND, STARTING MOTOR	1	
19	31918-94J00	DAMPER, LOWER	1	
20	38860-76F01	RELAY, STARTING MOTOR	1	
21	38915-90J00	HOLDER, RELAY	1	
22	01550-08207	BOLT	2	LOWER
23	01550-08307	BOLT	2	
24	08316-10087	NUT	1	

FIG.93

FIG.93 (1-I-8) MAGNETO (MANUAL STARTER) (DF9.9B P01)

REF NO.	PART NO.	DESCRIPTION	Q'TY	REMARKS
1	32120-89L10	COIL, STATOR & PULSER	1	
2	01547-0630A	BOLT	3	
3	01550-05127	BOLT	2	
4	32102-89L10	FLYWHEEL	1	
5	09140-14008	NUT	1	
6	09160-15057	WASHER (15X27X4)	1	
7	08341-31039	KEY	1	
8	09407-14407	CLAMP (L:145)	7	
9	33220-89L00	SENSOR ASSY CMP	1	
10	01550-06167	BOLT	1	
11	08322-0106A	WASHER	3	
12	36615-96300	TERMINAL, RESIN	2	

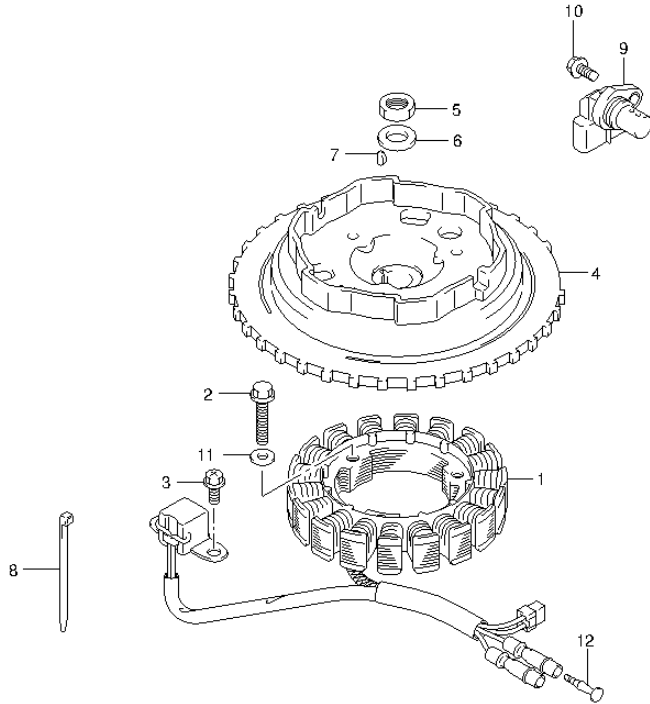


FIG.94

FIG.94 (1-I-9) MAGNETO (MANUAL STARTER) (DF15A P01)

REF NO.	PART NO.	DESCRIPTION	Q'TY	REMARKS
1	32120-89L10	COIL, STATOR & PULSER	1	
2	01547-0630A	BOLT	3	
3	01550-05127	BOLT	2	
4	32102-89L10	FLYWHEEL	1	
5	09140-14008	NUT	1	
6	09160-15057	WASHER (15X27X4)	1	
7	08341-31039	KEY	1	
8	09407-14407	CLAMP (L:145)	7	
9	33220-89L00	SENSOR ASSY CMP	1	
10	01550-06167	BOLT	1	
11	08322-0106A	WASHER	3	
12	36615-96300	TERMINAL, RESIN	2	

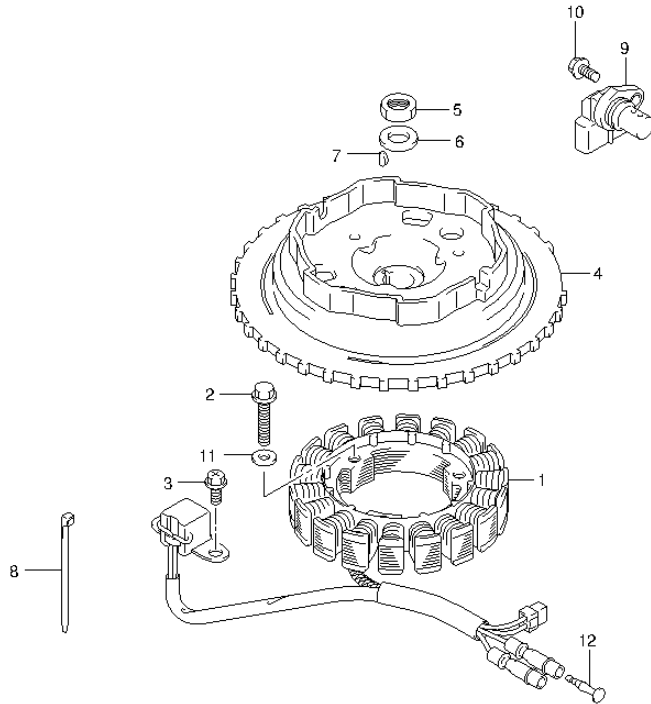


FIG.95

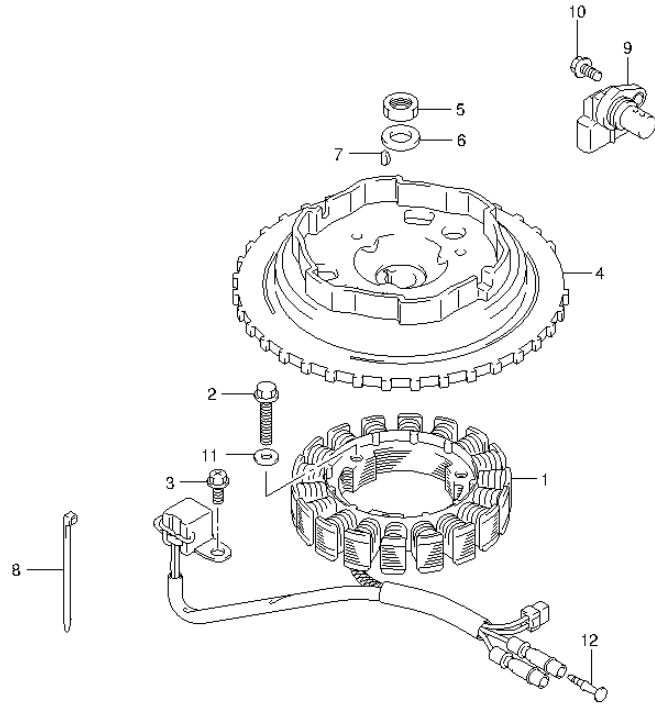


FIG.95 (1-I-10) MAGNETO (MANUAL STARTER) (DF20A P01)

REF NO.	PART NO.	DESCRIPTION	Q'TY	REMARKS
1	32120-89L10	COIL, STATOR & PULSER	1	
2	01547-0630A	BOLT	3	
3	01550-05127	BOLT	2	
4	32102-89L10	FLYWHEEL	1	
5	09140-14008	NUT	1	
6	09160-15057	WASHER (15X27X4)	1	
7	08341-31039	KEY	1	
8	09407-14407	CLAMP (L:145)	7	
9	33220-89L00	SENSOR ASSY CMP	1	
10	01550-06167	BOLT	1	
11	08322-0106A	WASHER	3	
12	36615-96300	TERMINAL, RESIN	2	





FIG.96

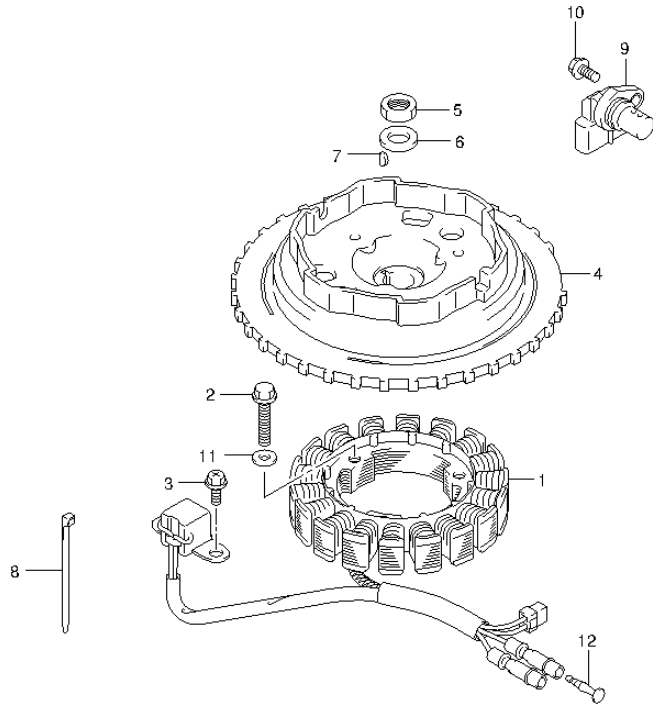


FIG.96 (1-I-11) MAGNETO (MANUAL STARTER) (DF20A P40)

REF NO.	PART NO.	DESCRIPTION	Q'TY	REMARKS
1	32120-89L10	COIL, STATOR & PULSER	1	
2	01547-0630A	BOLT	3	
3	01550-05127	BOLT	2	
4	32102-89L10	FLYWHEEL	1	
5	09140-14008	NUT	1	
6	09160-15057	WASHER (15X27X4)	1	
7	08341-31039	KEY	1	
8	09407-14407	CLAMP (L:145)	7	
9	33220-89L00	SENSOR ASSY CMP	1	
10	01550-06167	BOLT	1	
11	08322-0106A	WASHER	3	
12	36615-96300	TERMINAL, RESIN	2	



FIG.97

FIG.97 (1-12) MAGNETO (ELECTRIC STARTER)

REF NO.	PART NO.	DESCRIPTION	Q'TY	REMARKS
1	32120-89L00	COIL, STATOR & PULSER	1	
2	01547-0625A	BOLT	3	
3	01550-05127	BOLT	2	
4	32102-89L00	FLYWHEEL	1	
5	09140-14008	NUT	1	
6	09160-15057	WASHER (15X27X4)	1	
7	08341-31039	KEY	1	
8	09407-14407	CLAMP (L:145)	7	
9	33220-89L00	SENSOR ASSY CMP	1	
10	01550-06167	BOLT	1	

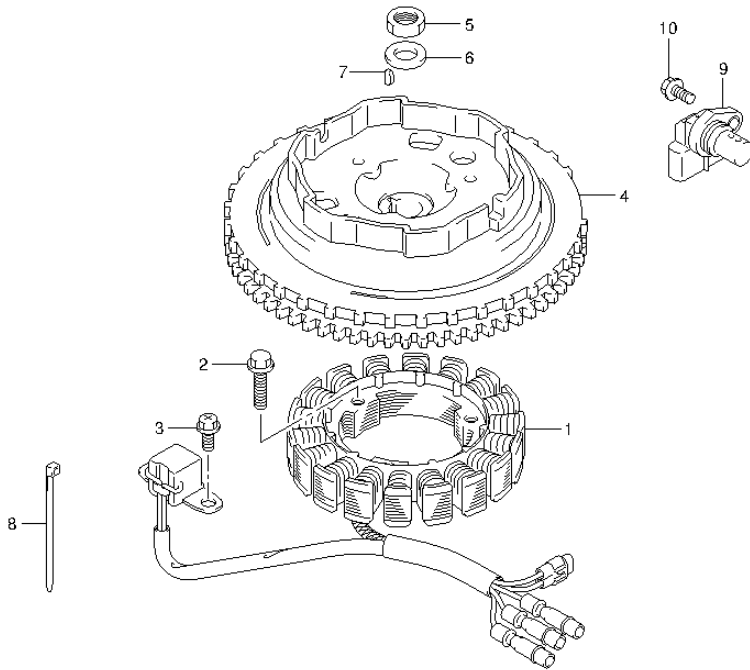


FIG.98

FIG.98 (1-I-13) RECTIFIER/IGNITION COIL (DF9.9B P01)

REF NO.	PART NO.	DESCRIPTION	Q'TY	REMARKS
1	32800-89L00	RECTIFIER/REGULATOR ASSY	1	W/ELECTRIC STARTER
2	32815-89L00	BRACKET, RECTIFIER	1	W/ELECTRIC STARTER
3	09116-06196	BOLT (6X20)	2	
4	32890-89L00	HOLDER, ELECTRIC PARTS	1	
5	09169-06063	WASHER	2	
6	09320-08051	CUSHION	2	
7	01550-06207	BOLT	2	W/ELECTRIC STARTER
8	01550-06167	BOLT	1	W/ELECTRIC STARTER
9	33500-07H00	CAP, SPARK PLUG	2	
10	09408-00159	CLAMP	2	
11	33410-89L00	COIL, IGNITION	1	
12	01550-06307	BOLT	2	
13-1	33920-89L40	UNIT, ENGINE CONTROL	1	W/ELECTRIC STARTER
13-2	33920-89L50	UNIT, ENGINE CONTROL	1	W/MANUAL STARTER
14	33925-89L00	CUSHION, ENGINE CONTROL UNIT	1	
15	38860-76F01	RELAY, ENGINE CONTROL UNIT	1	W/ELECTRIC STARTER
16	38915-90J00	HOLDER, RELAY	1	W/ELECTRIC STARTER
17	09160-06168	WASHER (6X14X1)	1	

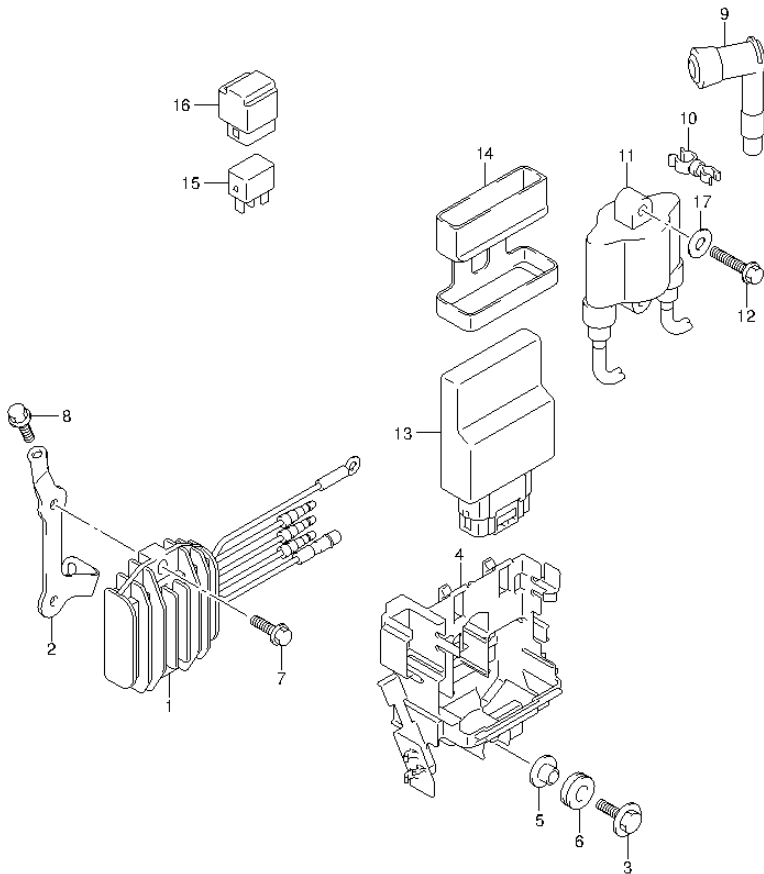


FIG.99

FIG.99 (1-14) RECTIFIER/IGNITION COIL (DF9.9BR P01)

REF NO.	PART NO.	DESCRIPTION	Q'TY	REMARKS
1	32800-89L00	RECTIFIER/REGULATOR ASSY	1	
2	32815-89L00	BRACKET, RECTIFIER	1	
3	09116-06196	BOLT (6X20)	2	
4	32890-89L00	HOLDER, ELECTRIC PARTS	1	
5	09169-06063	WASHER	2	
6	09320-08051	CUSHION	2	
7	01550-06207	BOLT	2	
8	01550-06167	BOLT	1	
9	33500-07H00	CAP, SPARK PLUG	2	
10	09408-00159	CLAMP	2	
11	33410-89L00	COIL, IGNITION	1	
12	01550-06307	BOLT	2	
13	33920-89L40	UNIT, ENGINE CONTROL	1	
14	33925-89L00	CUSHION, ENGINE CONTROL UNIT	1	
15	38860-76F01	RELAY, ENGINE CONTROL UNIT	1	
16	38915-90J00	HOLDER, RELAY	1	
17	09160-06168	WASHER (6X14X1)	1	

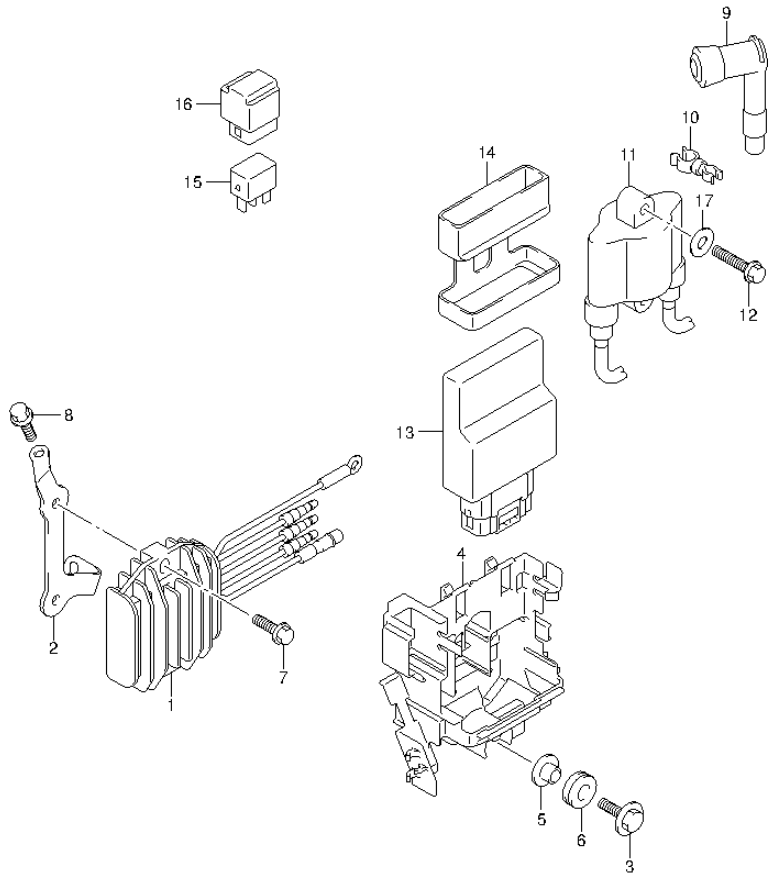


FIG.100

FIG.100 (1-I-15) RECTIFIER/IGNITION COIL (DF9.9BT P01)

REF NO.	PART NO.	DESCRIPTION	Q'TY	REMARKS
1	32800-89L00	RECTIFIER/REGULATOR ASSY	1	
2	32815-89L00	BRACKET, RECTIFIER	1	
3	09116-06196	BOLT (6X20)	2	
4	32890-89L00	HOLDER, ELECTRIC PARTS	1	
5	09169-06063	WASHER	2	
6	09320-08051	CUSHION	2	
7	01550-06207	BOLT	2	
8	01550-06167	BOLT	1	
9	33500-07H00	CAP, SPARK PLUG	2	
10	09408-00159	CLAMP	2	
11	33410-89L00	COIL, IGNITION	1	
12	01550-06307	BOLT	2	
13	33920-89L40	UNIT, ENGINE CONTROL	1	
14	33925-89L00	CUSHION, ENGINE CONTROL UNIT	1	
15	38860-76F01	RELAY, ENGINE CONTROL UNIT	1	
16	38915-90J00	HOLDER, RELAY	1	
17	09160-06168	WASHER (6X14X1)	1	

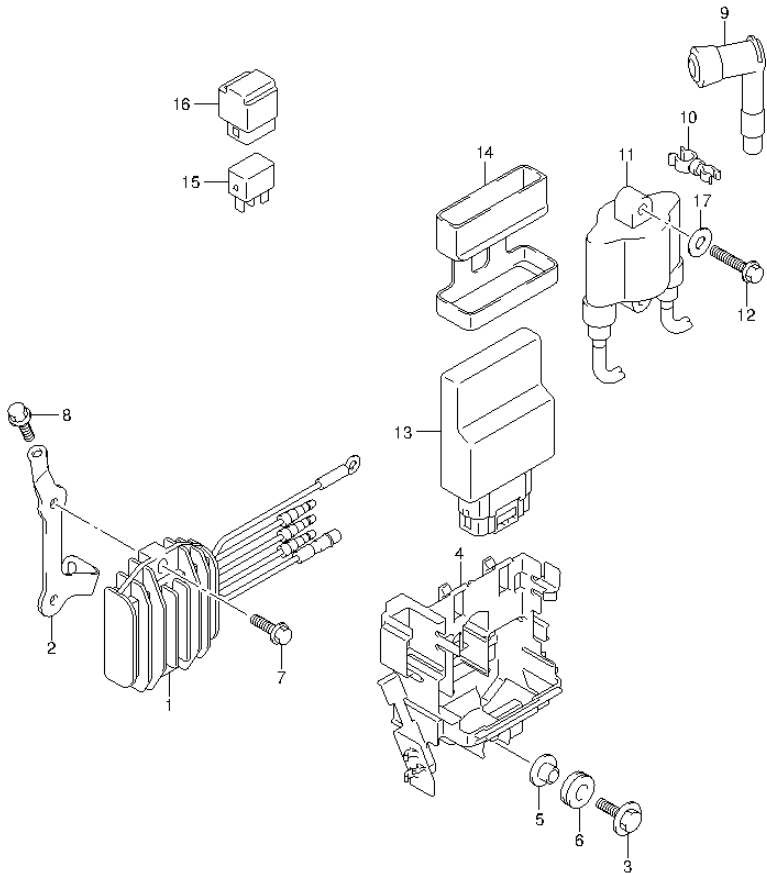


FIG.101

FIG.101 (1-J-2) RECTIFIER/IGNITION COIL (DF15A P01)

REF NO.	PART NO.	DESCRIPTION	Q'TY	REMARKS
1	32800-89L00	RECTIFIER/REGULATOR ASSY	1	W/ELECTRIC STARTER
2	32815-89L00	BRACKET, RECTIFIER	1	W/ELECTRIC STARTER
3	09116-06196	BOLT (6X20)	2	
4	32890-89L00	HOLDER, ELECTRIC PARTS	1	
5	09169-06063	WASHER	2	
6	09320-08051	CUSHION	2	
7	01550-06207	BOLT	2	W/ELECTRIC STARTER
8	01550-06167	BOLT	1	W/ELECTRIC STARTER
9	33500-07H00	CAP, SPARK PLUG	2	
10	09408-00159	CLAMP	2	
11	33410-89L00	COIL, IGNITION	1	
12	01550-06307	BOLT	2	
13-1	33920-89L01	UNIT, ENGINE CONTROL	1	W/ELECTRIC STARTER
13-2	33920-89L11	UNIT, ENGINE CONTROL	1	W/MANUAL STARTER
14	33925-89L00	CUSHION, ENGINE CONTROL UNIT	1	
15	38860-76F01	RELAY, ENGINE CONTROL UNIT	1	W/ELECTRIC STARTER
16	38915-90J00	HOLDER, RELAY	1	W/ELECTRIC STARTER
17	09160-06168	WASHER (6X14X1)	1	

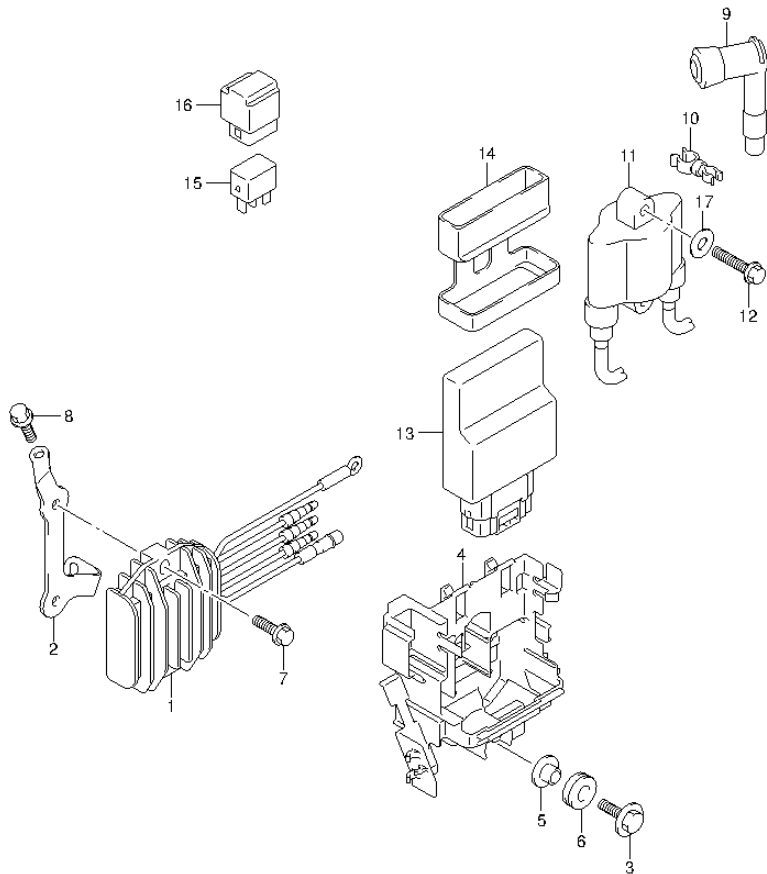


FIG.102

FIG.102 (1-J-3) RECTIFIER/IGNITION COIL (DF15AR P01)

REF NO.	PART NO.	DESCRIPTION	Q'TY	REMARKS
1	32800-89L00	RECTIFIER/REGULATOR ASSY	1	
2	32815-89L00	BRACKET, RECTIFIER	1	
3	09116-06196	BOLT (6X20)	2	
4	32890-89L00	HOLDER, ELECTRIC PARTS	1	
5	09169-06063	WASHER	2	
6	09320-08051	CUSHION	2	
7	01550-06207	BOLT	2	
8	01550-06167	BOLT	1	
9	33500-07H00	CAP, SPARK PLUG	2	
10	09408-00159	CLAMP	2	
11	33410-89L00	COIL, IGNITION	1	
12	01550-06307	BOLT	2	
13	33920-89L01	UNIT, ENGINE CONTROL	1	
14	33925-89L00	CUSHION, ENGINE CONTROL UNIT	1	
15	38860-76F01	RELAY, ENGINE CONTROL UNIT	1	
16	38915-90J00	HOLDER, RELAY	1	
17	09160-06168	WASHER (6X14X1)	1	

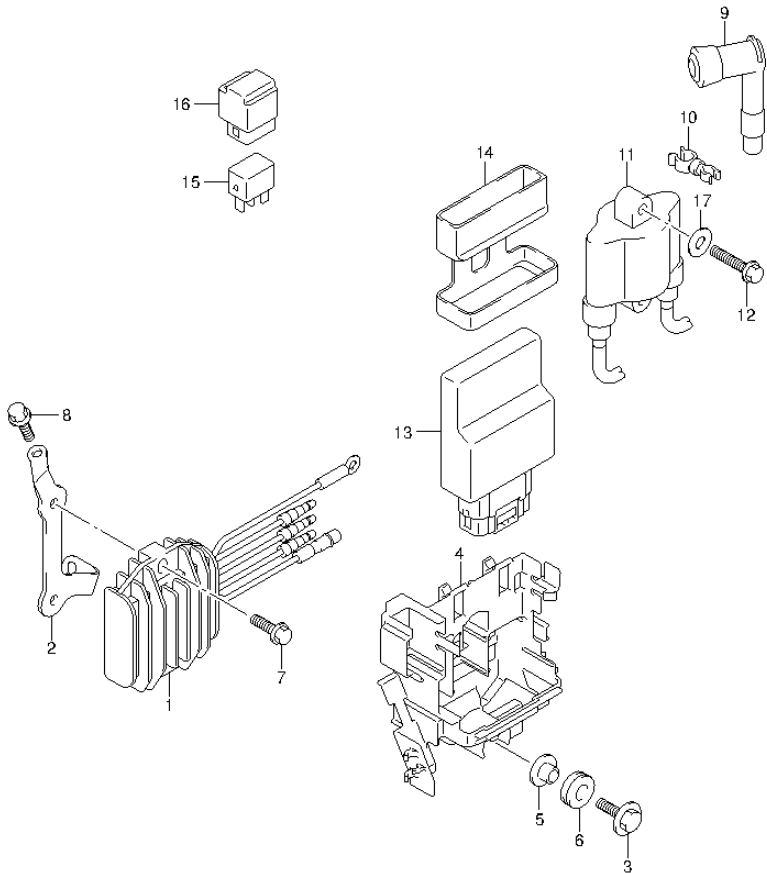


FIG.103

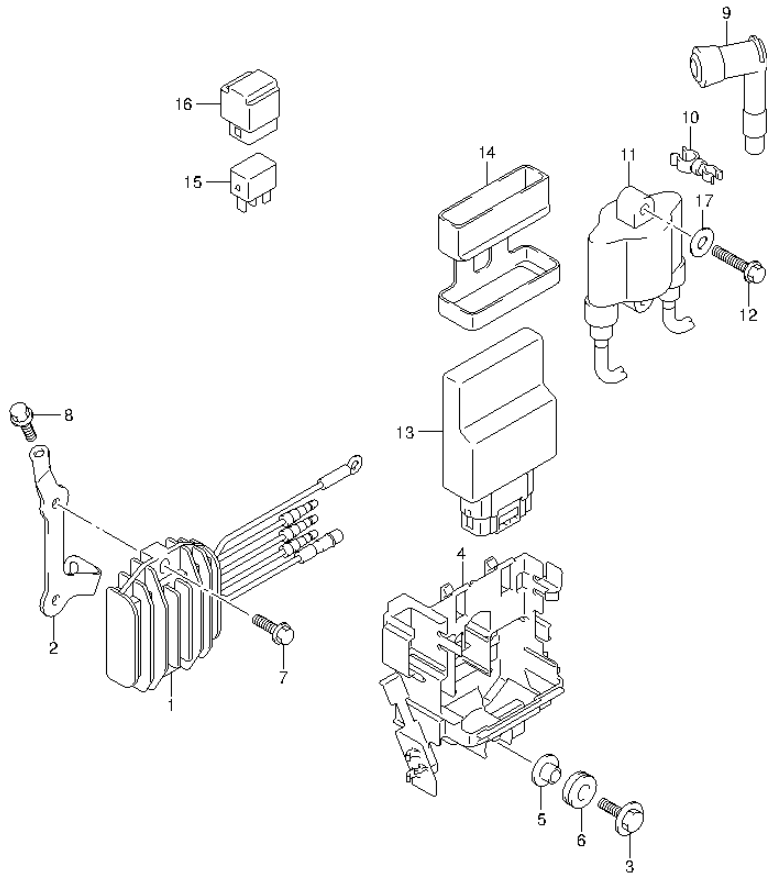


FIG.103 (1-J-4) RECTIFIER/IGNITION COIL (DF15ATH P01)

REF NO.	PART NO.	DESCRIPTION	Q'TY	REMARKS
1	32800-89L00	RECTIFIER/REGULATOR ASSY	1	
2	32815-89L00	BRACKET, RECTIFIER	1	
3	09116-06196	BOLT (6X20)	2	
4	32890-89L00	HOLDER, ELECTRIC PARTS	1	
5	09169-06063	WASHER	2	
6	09320-08051	CUSHION	2	
7	01550-06207	BOLT	2	
8	01550-06167	BOLT	1	
9	33500-07H00	CAP, SPARK PLUG	2	
10	09408-00159	CLAMP	2	
11	33410-89L00	COIL, IGNITION	1	
12	01550-06307	BOLT	2	
13	33920-89L01	UNIT, ENGINE CONTROL	1	
14	33925-89L00	CUSHION, ENGINE CONTROL UNIT	1	
15	38860-76F01	RELAY, ENGINE CONTROL UNIT	1	
16	38915-90J00	HOLDER, RELAY	1	
17	09160-06168	WASHER (6X14X1)	1	





FIG.104

FIG.104 (1-J-5) RECTIFIER/IGNITION COIL (DF20A P01)

REF NO.	PART NO.	DESCRIPTION	Q'TY	REMARKS
1	32800-89L00	RECTIFIER/REGULATOR ASSY	1	W/ELECTRIC STARTER
2	32815-89L00	BRACKET, RECTIFIER	1	W/ELECTRIC STARTER
3	09116-06196	BOLT (6X20)	2	
4	32890-89L00	HOLDER, ELECTRIC PARTS	1	
5	09169-06063	WASHER	2	
6	09320-08051	CUSHION	2	
7	01550-06207	BOLT	2	W/ELECTRIC STARTER
8	01550-06167	BOLT	1	W/ELECTRIC STARTER
9	33500-07H00	CAP, SPARK PLUG	2	
10	09408-00159	CLAMP	2	
11	33410-89L00	COIL, IGNITION	1	
12	01550-06307	BOLT	2	
13-1	33920-89L21	UNIT, ENGINE CONTROL	1	W/ELECTRIC STARTER
13-2	33920-89L31	UNIT, ENGINE CONTROL	1	W/MANUAL STARTER
14	33925-89L00	CUSHION, ENGINE CONTROL UNIT	1	
15	38860-76F01	RELAY, ENGINE CONTROL UNIT	1	W/ELECTRIC STARTER
16	38915-90J00	HOLDER, RELAY	1	W/ELECTRIC STARTER
17	09160-06168	WASHER (6X14X1)	1	

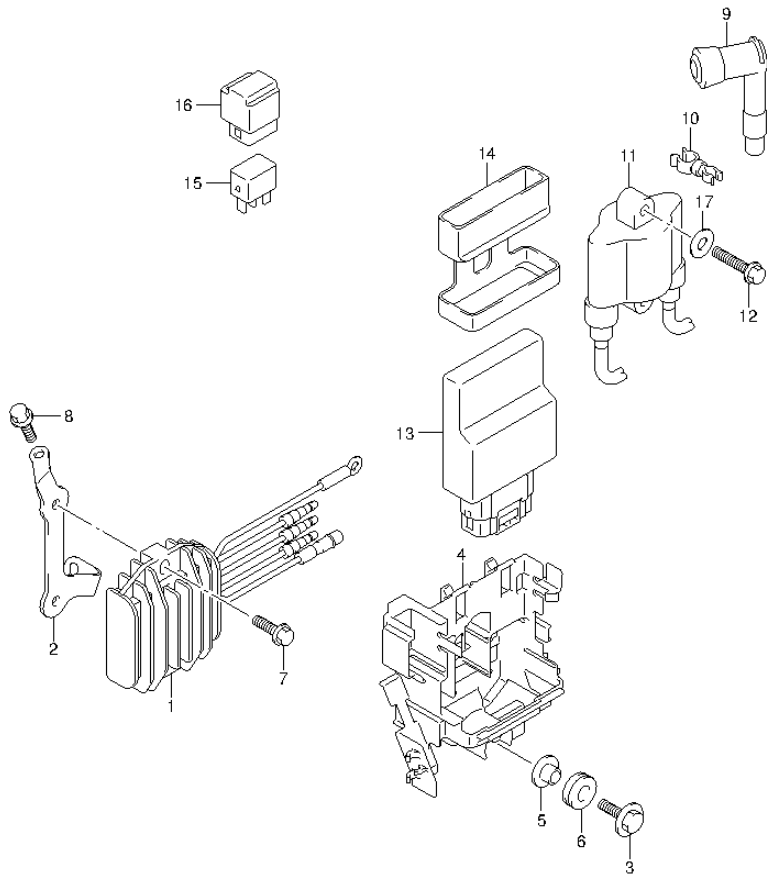


FIG.105

FIG.105 (1-J-6) RECTIFIER/IGNITION COIL (DF20A P40)

REF NO.	PART NO.	DESCRIPTION	Q'TY	REMARKS
1	32800-89L00	RECTIFIER/REGULATOR ASSY	1	W/ELECTRIC STARTER
2	32815-89L00	BRACKET, RECTIFIER	1	W/ELECTRIC STARTER
3	09116-06196	BOLT (6X20)	2	
4	32890-89L00	HOLDER, ELECTRIC PARTS	1	
5	09169-06063	WASHER	2	
6	09320-08051	CUSHION	2	
7	01550-06207	BOLT	2	W/ELECTRIC STARTER
8	01550-06167	BOLT	1	W/ELECTRIC STARTER
9	33500-07H00	CAP, SPARK PLUG	2	
10	09408-00159	CLAMP	2	
11	33410-89L00	COIL, IGNITION	1	
12	01550-06307	BOLT	2	
13-1	33920-89L60	UNIT, ENGINE CONTROL	1	W/ELECTRIC STARTER
13-2	33920-89L70	UNIT, ENGINE CONTROL	1	W/MANUAL STARTER
14	33925-89L00	CUSHION, ENGINE CONTROL UNIT	1	
15	38860-76F01	RELAY, ENGINE CONTROL UNIT	1	W/ELECTRIC STARTER
16	38915-90J00	HOLDER, RELAY	1	W/ELECTRIC STARTER
17	09160-06168	WASHER (6X14X1)	1	

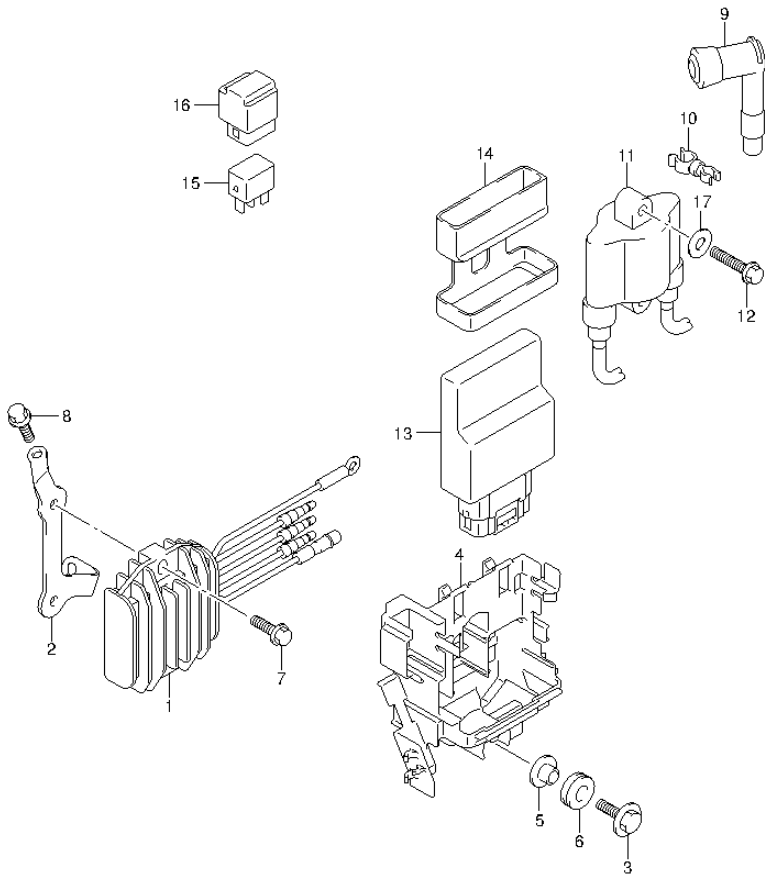


FIG.106

FIG.106 (1-J-7) RECTIFIER/IGNITION COIL (DF20AR P01)

REF NO.	PART NO.	DESCRIPTION	Q'TY	REMARKS
1	32800-89L00	RECTIFIER/REGULATOR ASSY	1	
2	32815-89L00	BRACKET, RECTIFIER	1	
3	09116-06196	BOLT (6X20)	2	
4	32890-89L00	HOLDER, ELECTRIC PARTS	1	
5	09169-06063	WASHER	2	
6	09320-08051	CUSHION	2	
7	01550-06207	BOLT	2	
8	01550-06167	BOLT	1	
9	33500-07H00	CAP, SPARK PLUG	2	
10	09408-00159	CLAMP	2	
11	33410-89L00	COIL, IGNITION	1	
12	01550-06307	BOLT	2	
13	33920-89L21	UNIT, ENGINE CONTROL	1	
14	33925-89L00	CUSHION, ENGINE CONTROL UNIT	1	
15	38860-76F01	RELAY, ENGINE CONTROL UNIT	1	
16	38915-90J00	HOLDER, RELAY	1	
17	09160-06168	WASHER (6X14X1)	1	

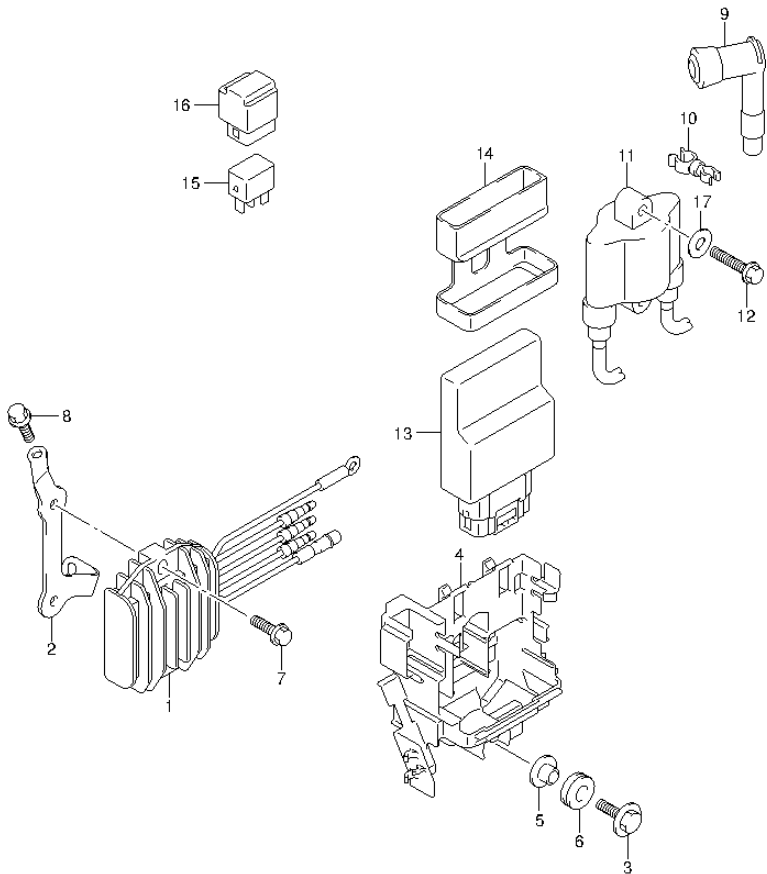


FIG.107

FIG.107 (1-J-8) RECTIFIER/IGNITION COIL (DF20AT P01)

REF NO.	PART NO.	DESCRIPTION	Q'TY	REMARKS
1	32800-89L00	RECTIFIER/REGULATOR ASSY	1	
2	32815-89L00	BRACKET, RECTIFIER	1	
3	09116-06196	BOLT (6X20)	2	
4	32890-89L00	HOLDER, ELECTRIC PARTS	1	
5	09169-06063	WASHER	2	
6	09320-08051	CUSHION	2	
7	01550-06207	BOLT	2	
8	01550-06167	BOLT	1	
9	33500-07H00	CAP, SPARK PLUG	2	
10	09408-00159	CLAMP	2	
11	33410-89L00	COIL, IGNITION	1	
12	01550-06307	BOLT	2	
13	33920-89L21	UNIT, ENGINE CONTROL	1	
14	33925-89L00	CUSHION, ENGINE CONTROL UNIT	1	
15	38860-76F01	RELAY, ENGINE CONTROL UNIT	1	
16	38915-90J00	HOLDER, RELAY	1	
17	09160-06168	WASHER (6X14X1)	1	

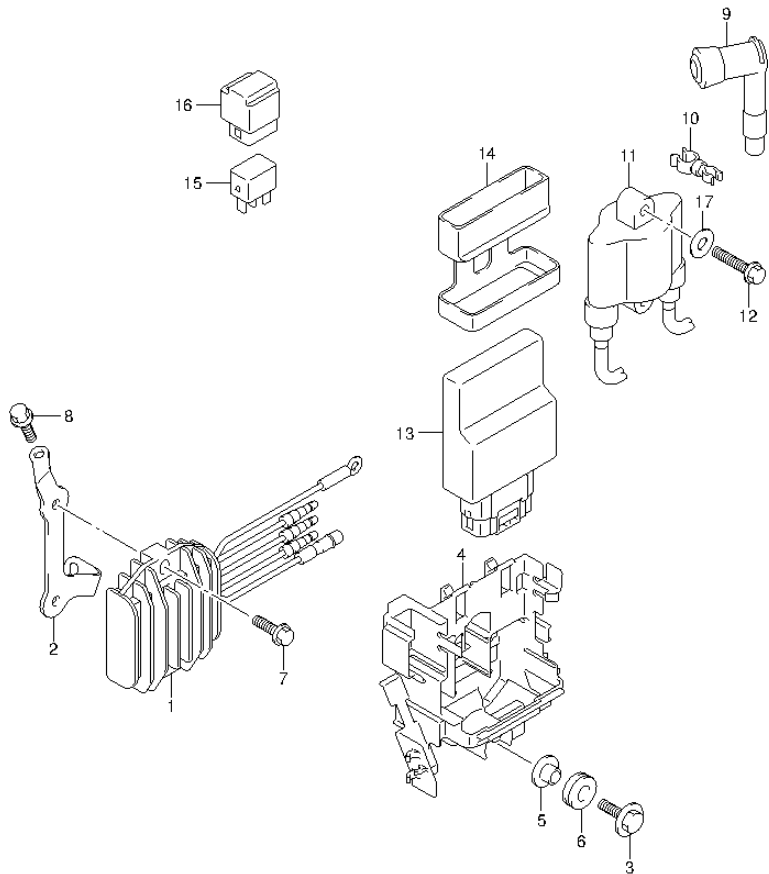
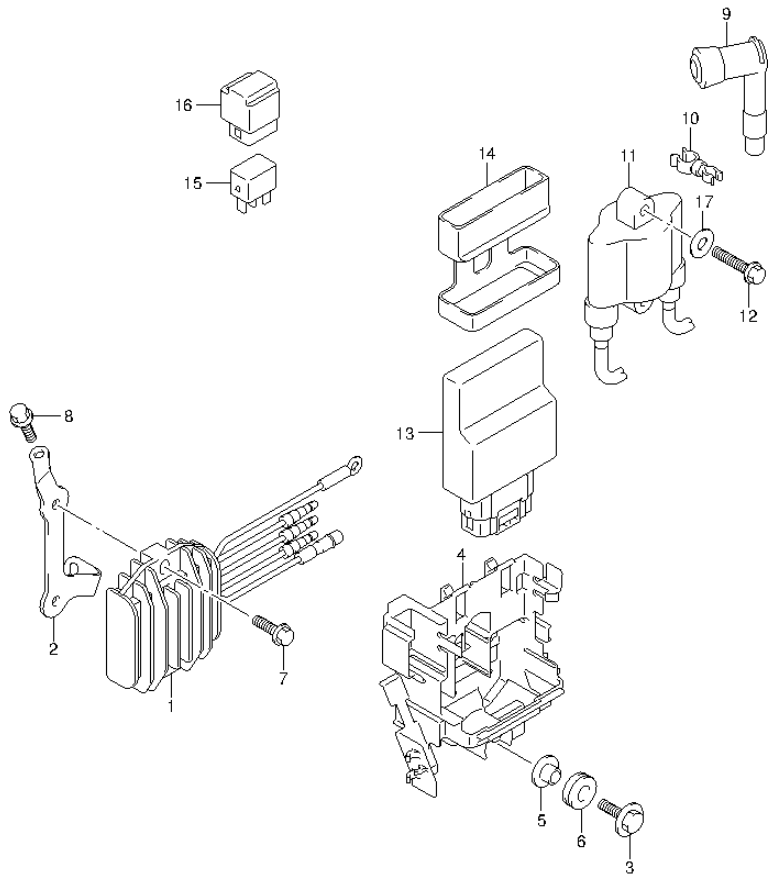


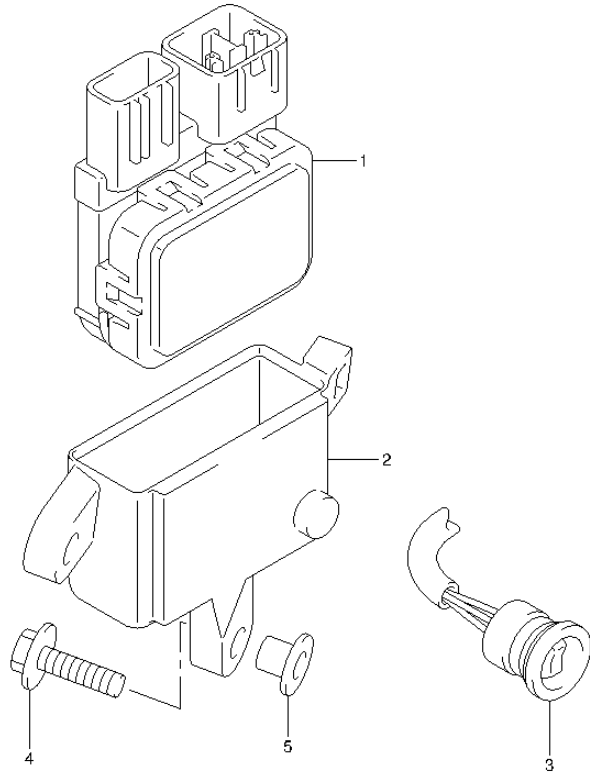
FIG.108

FIG.108 (1-J-9) RECTIFIER/IGNITION COIL (DF20ATH P01)

REF NO.	PART NO.	DESCRIPTION	Q'TY	REMARKS
1	32800-89L00	RECTIFIER/REGULATOR ASSY	1	
2	32815-89L00	BRACKET, RECTIFIER	1	
3	09116-06196	BOLT (6X20)	2	
4	32890-89L00	HOLDER, ELECTRIC PARTS	1	
5	09169-06063	WASHER	2	
6	09320-08051	CUSHION	2	
7	01550-06207	BOLT	2	
8	01550-06167	BOLT	1	
9	33500-07H00	CAP, SPARK PLUG	2	
10	09408-00159	CLAMP	2	
11	33410-89L00	COIL, IGNITION	1	
12	01550-06307	BOLT	2	
13	33920-89L21	UNIT, ENGINE CONTROL	1	
14	33925-89L00	CUSHION, ENGINE CONTROL UNIT	1	
15	38860-76F01	RELAY, ENGINE CONTROL UNIT	1	
16	38915-90J00	HOLDER, RELAY	1	
17	09160-06168	WASHER (6X14X1)	1	



**FIG.109**



**FIG.109 (1-J-10) PTT SWITCH (DF9.9BT P01)**

REF NO.	PART NO.	DESCRIPTION	Q'TY	REMARKS
1	38410-93J20	RELAY ASSY, PTT	1	
2	38415-89L00	HOLDER, PTT RELAY	1	
3	37850-99E04	SWITCH ASSY, PTT	1	
4	09116-06202	BOLT (6X25)	2	
5	09169-06062	WASHER	2	



FIG.110

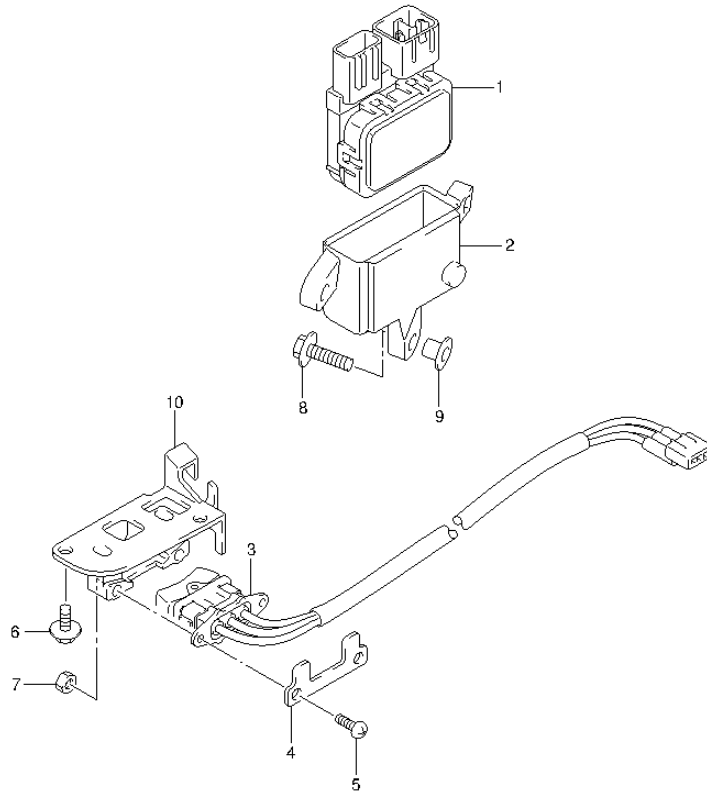
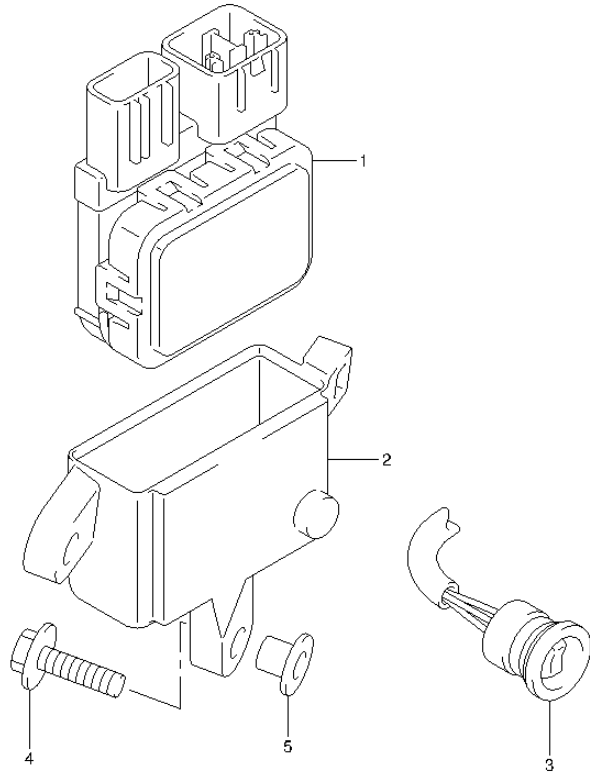


FIG.110 (1-J-11) PTT SWITCH (DF15ATH P01)

REF NO.	PART NO.	DESCRIPTION	Q'TY	REMARKS
1	38410-93J20	RELAY ASSY, PTT	1	
2	38415-89L00	HOLDER, PTT RELAY	1	
3	37850-94JA2	SWITCH ASSY, PTT	1	
4	37852-94JA0	PLATE, PTT SWITCH	1	
5	09125-05046	SCREW (5X12)	2	
6	29103-93J00	BOLT, PTT SW BRACKET (6X12)	2	
7	09140-05005	NUT	2	
8	09116-06202	BOLT (6X25)	2	
9	09169-06062	WASHER	2	
10	37851-89L00	HOLDER, PTT SWITCH	1	



**FIG.111**



**FIG.111 (1-J-12) PTT SWITCH (DF20AT P01)**

REF NO.	PART NO.	DESCRIPTION	Q'TY	REMARKS
1	38410-93J20	RELAY ASSY, PTT	1	
2	38415-89L00	HOLDER, PTT RELAY	1	
3	37850-99E04	SWITCH ASSY, PTT	1	
4	09116-06202	BOLT (6X25)	2	
5	09169-06062	WASHER	2	





FIG.112

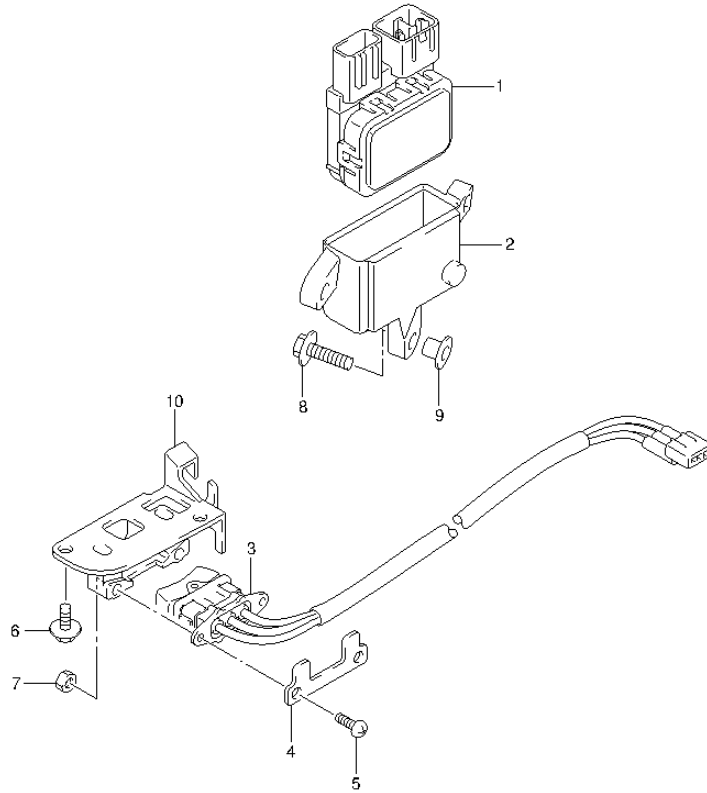


FIG.112 (1-J-13) PTT SWITCH (DF20ATH P01)

REF NO.	PART NO.	DESCRIPTION	Q'TY	REMARKS
1	38410-93J20	RELAY ASSY, PTT	1	
2	38415-89L00	HOLDER, PTT RELAY	1	
3	37850-94JA2	SWITCH ASSY, PTT	1	
4	37852-94JA0	PLATE, PTT SWITCH	1	
5	09125-05046	SCREW (5X12)	2	
6	29103-93J00	BOLT, PTT SW BRACKET (6X12)	2	
7	09140-05005	NUT	2	
8	09116-06202	BOLT (6X25)	2	
9	09169-06062	WASHER	2	
10	37851-89L00	HOLDER, PTT SWITCH	1	



FIG.113

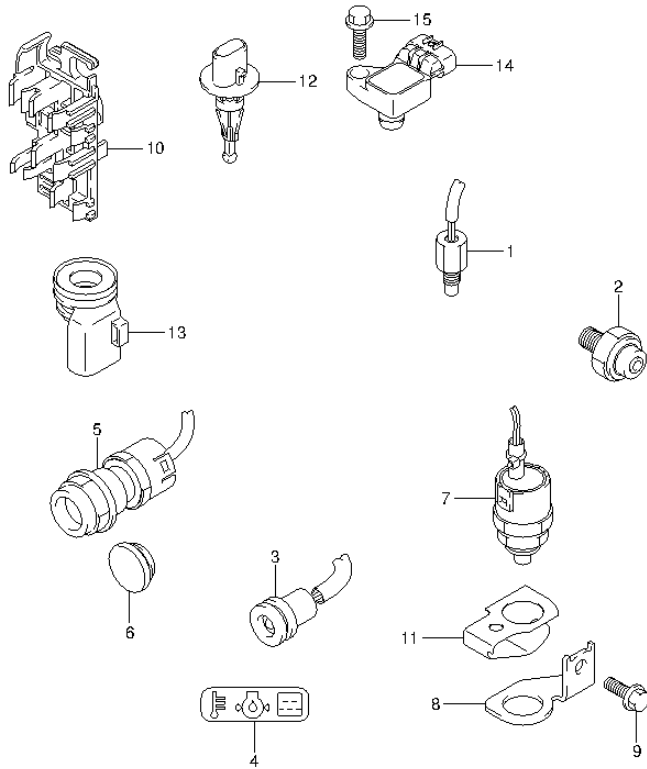


FIG.113 (1-J-14) SENSOR/SWITCH (DF9.9B P01)

REF NO.	PART NO.	DESCRIPTION	Q'TY	REMARKS
1	13640-32G00	SENSOR ENGINE, TEMP	1	
2	37820-93E10	SWITCH ASSY, OIL PRESSURE	1	
3	36360-99J10	INDICATOR, OIL PRESSURE	1	
4	36367-89L00	LABEL, WARNING	1	
5	37161-89L00	SWITCH ASSY, STARTER MOTOR	1	W/ELECTRIC STARTER
6	37163-89L00	PLUG, STARTING SWITCH HOLE	1	W/MANUAL STARTER
7	37721-89L00	SWITCH ASSY, NEUTRAL	1	
8	37726-89L00	BRACKET, NEUTRAL SWITCH	1	
9	01550-06167	BOLT	1	
10	36616-89L01	HOLDER, CONNECTOR	1	
11	37725-89L00	ACTUATOR, NEUTRAL SWITCH	1	
12	13650-52G00	SENSOR, INLET AIR TEMP	1	
13	13655-89L00	GROMMET, INLET AIR TEMP SENSOR	1	
14	18590-58M00	SENSOR, MAP	1	
15	01550-06207	BOLT	1	

FIG.114

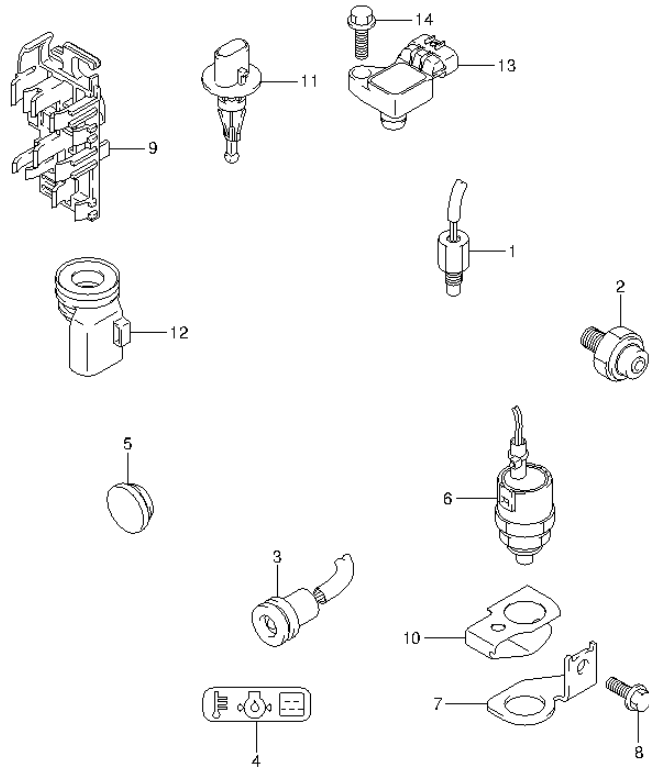


FIG.114 (1-J-15) SENSOR/SWITCH (DF9.9BR P01)

REF NO.	PART NO.	DESCRIPTION	Q'TY	REMARKS
1	13640-32G00	SENSOR ENGINE, TEMP	1	
2	37820-93E10	SWITCH ASSY, OIL PRESSURE	1	
3	36360-99J10	INDICATOR, OIL PRESSURE	1	
4	36367-89L00	LABEL, WARNING	1	
5	37163-89L00	PLUG, STARTING SWITCH HOLE	1	
6	37721-89L00	SWITCH ASSY, NEUTRAL	1	
7	37726-89L00	BRACKET, NEUTRAL SWITCH	1	
8	01550-06167	BOLT	1	
9	36616-89L01	HOLDER, CONNECTOR	1	
10	37725-89L00	ACTUATOR, NEUTRAL SWITCH	1	
11	13650-52G00	SENSOR, INLET AIR TEMP	1	
12	13655-89L00	GROMMET, INLET AIR TEMP SENSOR	1	
13	18590-58M00	SENSOR, MAP	1	
14	01550-06207	BOLT	1	



FIG.115

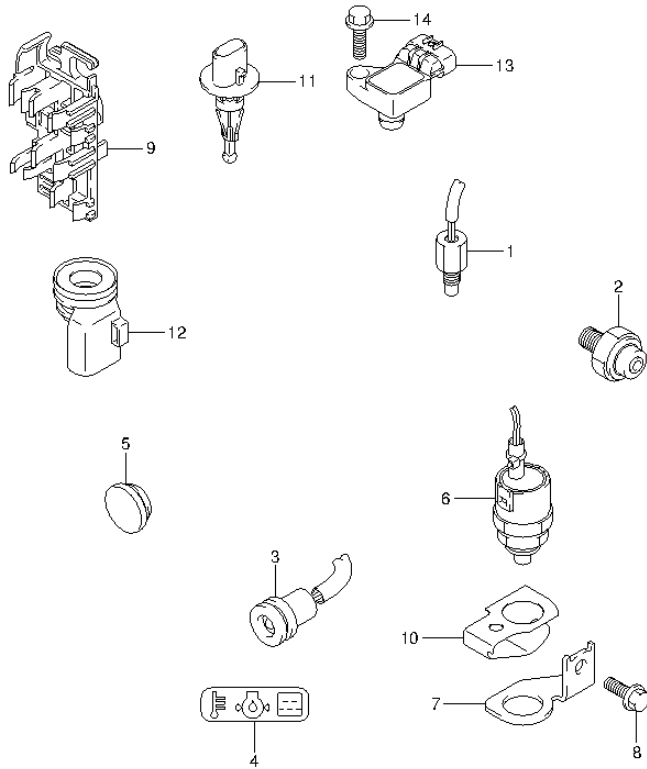


FIG.115 (1-K-2) SENSOR/SWITCH (DF9.9BT P01)

REF NO.	PART NO.	DESCRIPTION	Q'TY	REMARKS
1	13640-32G00	SENSOR ENGINE, TEMP	1	
2	37820-93E10	SWITCH ASSY, OIL PRESSURE	1	
3	36360-99J10	INDICATOR, OIL PRESSURE	1	
4	36367-89L00	LABEL, WARNING	1	
5	37163-89L00	PLUG, STARTING SWITCH HOLE	1	
6	37721-89L00	SWITCH ASSY, NEUTRAL	1	
7	37726-89L00	BRACKET, NEUTRAL SWITCH	1	
8	01550-06167	BOLT	1	
9	36616-89L01	HOLDER, CONNECTOR	1	
10	37725-89L00	ACTUATOR, NEUTRAL SWITCH	1	
11	13650-52G00	SENSOR, INLET AIR TEMP	1	
12	13655-89L00	GROMMET, INLET AIR TEMP SENSOR	1	
13	18590-58M00	SENSOR, MAP	1	
14	01550-06207	BOLT	1	



FIG.116

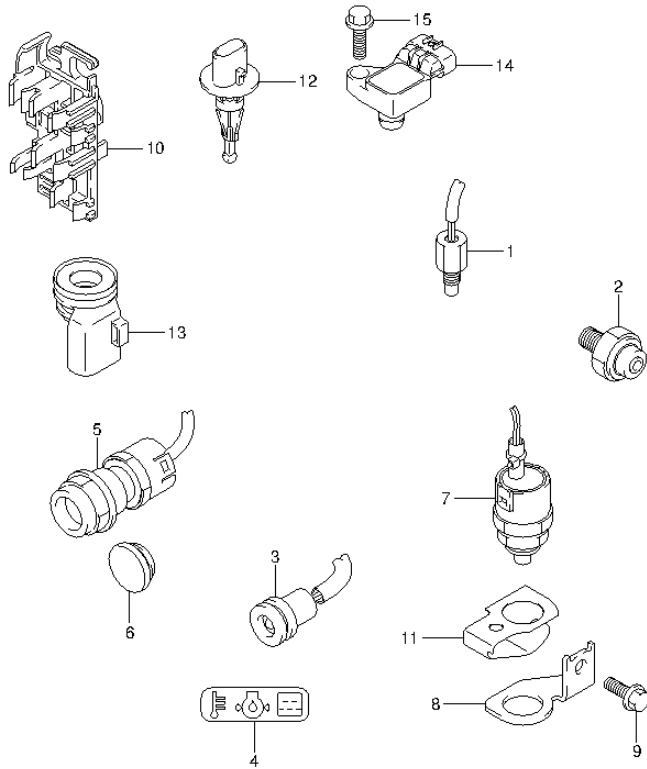


FIG.116 (1-K-3) SENSOR/SWITCH (DF15A P01)

REF NO.	PART NO.	DESCRIPTION	Q'TY	REMARKS
1	13640-32G00	SENSOR ENGINE, TEMP	1	
2	37820-93E10	SWITCH ASSY, OIL PRESSURE	1	
3	36360-99J10	INDICATOR, OIL PRESSURE	1	
4	36367-89L00	LABEL, WARNING	1	
5	37161-89L00	SWITCH ASSY, STARTER MOTOR	1	W/ELECTRIC STARTER
6	37163-89L00	PLUG, STARTING SWITCH HOLE	1	W/MANUAL STARTER
7	37721-89L00	SWITCH ASSY, NEUTRAL	1	
8	37726-89L00	BRACKET, NEUTRAL SWITCH	1	
9	01550-06167	BOLT	1	
10	36616-89L01	HOLDER, CONNECTOR	1	
11	37725-89L00	ACTUATOR, NEUTRAL SWITCH	1	
12	13650-52G00	SENSOR, INLET AIR TEMP	1	
13	13655-89L00	GROMMET, INLET AIR TEMP SENSOR	1	
14	18590-58M00	SENSOR, MAP	1	
15	01550-06207	BOLT	1	

FIG.117

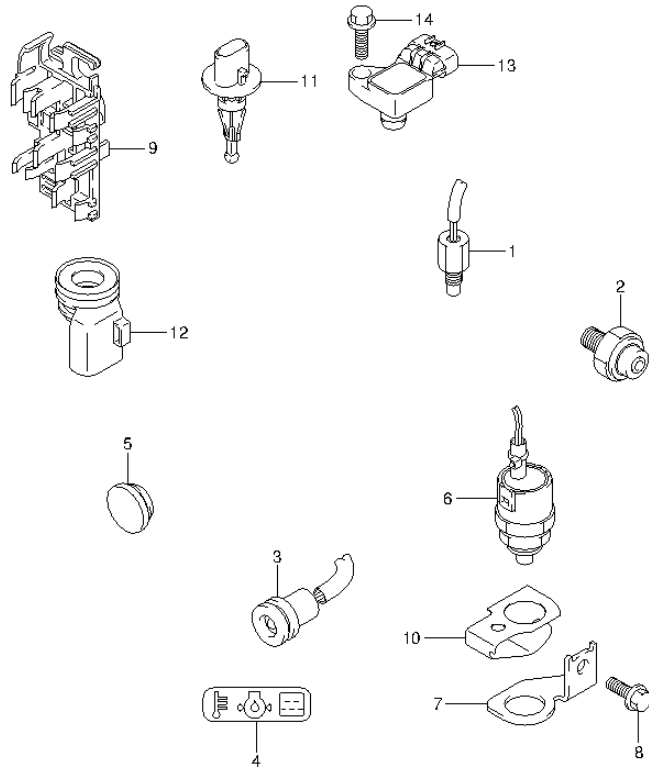


FIG.117 (1-K-4) SENSOR/SWITCH (DF15AR P01)

REF NO.	PART NO.	DESCRIPTION	Q'TY	REMARKS
1	13640-32G00	SENSOR ENGINE, TEMP	1	
2	37820-93E10	SWITCH ASSY, OIL PRESSURE	1	
3	36360-99J10	INDICATOR, OIL PRESSURE	1	
4	36367-89L00	LABEL, WARNING	1	
5	37163-89L00	PLUG, STARTING SWITCH HOLE	1	
6	37721-89L00	SWITCH ASSY, NEUTRAL	1	
7	37726-89L00	BRACKET, NEUTRAL SWITCH	1	
8	01550-06167	BOLT	1	
9	36616-89L01	HOLDER, CONNECTOR	1	
10	37725-89L00	ACTUATOR, NEUTRAL SWITCH	1	
11	13650-52G00	SENSOR, INLET AIR TEMP	1	
12	13655-89L00	GROMMET, INLET AIR TEMP SENSOR	1	
13	18590-58M00	SENSOR, MAP	1	
14	01550-06207	BOLT	1	



FIG.118

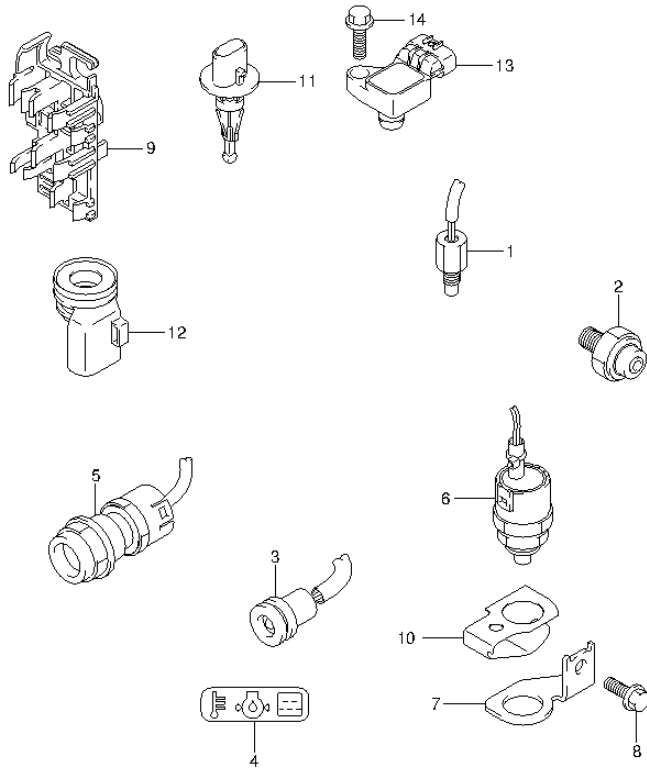


FIG.118 (1-K-5) SENSOR/SWITCH (DF15ATH P01)

REF NO.	PART NO.	DESCRIPTION	Q'TY	REMARKS
1	13640-32G00	SENSOR ENGINE, TEMP	1	
2	37820-93E10	SWITCH ASSY, OIL PRESSURE	1	
3	36360-99J10	INDICATOR, OIL PRESSURE	1	
4	36367-89L00	LABEL, WARNING	1	
5	37161-89L00	SWITCH ASSY, STARTER MOTOR	1	
6	37721-89L00	SWITCH ASSY, NEUTRAL	1	
7	37726-89L00	BRACKET, NEUTRAL SWITCH	1	
8	01550-06167	BOLT	1	
9	36616-89L01	HOLDER, CONNECTOR	1	
10	37725-89L00	ACTUATOR, NEUTRAL SWITCH	1	
11	13650-52G00	SENSOR, INLET AIR TEMP	1	
12	13655-89L00	GROMMET, INLET AIR TEMP SENSOR	1	
13	18590-58M00	SENSOR, MAP	1	
14	01550-06207	BOLT	1	



FIG.119

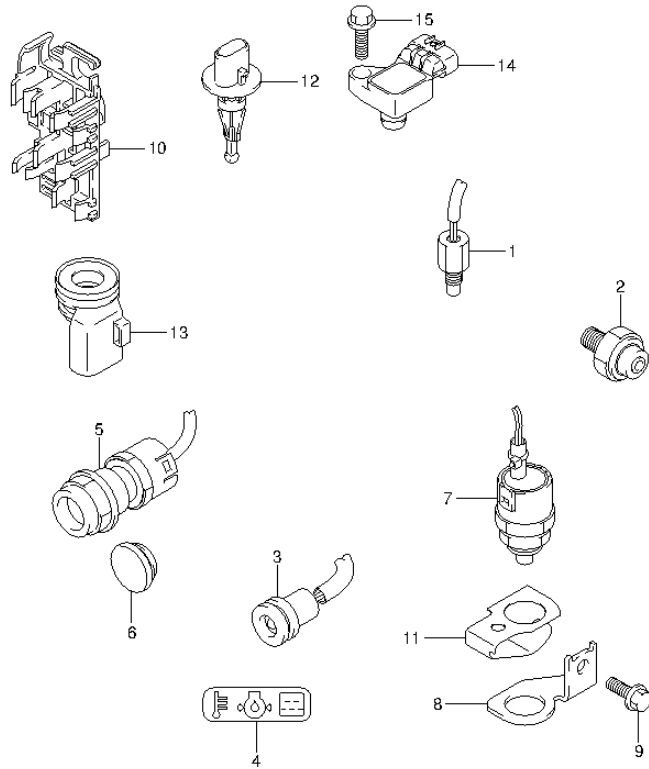


FIG.119 (1-K-6) SENSOR/SWITCH (DF20A P01)

REF NO.	PART NO.	DESCRIPTION	Q'TY	REMARKS
1	13640-32G00	SENSOR ENGINE, TEMP	1	
2	37820-93E10	SWITCH ASSY, OIL PRESSURE	1	
3	36360-99J10	INDICATOR, OIL PRESSURE	1	
4	36367-89L00	LABEL, WARNING	1	
5	37161-89L00	SWITCH ASSY, STARTER MOTOR	1	W/ELECTRIC STARTER
6	37163-89L00	PLUG, STARTING SWITCH HOLE	1	W/MANUAL STARTER
7	37721-89L00	SWITCH ASSY, NEUTRAL	1	
8	37726-89L00	BRACKET, NEUTRAL SWITCH	1	
9	01550-06167	BOLT	1	
10	36616-89L01	HOLDER, CONNECTOR	1	
11	37725-89L00	ACTUATOR, NEUTRAL SWITCH	1	
12	13650-52G00	SENSOR, INLET AIR TEMP	1	
13	13655-89L00	GROMMET, INLET AIR TEMP SENSOR	1	
14	18590-58M00	SENSOR, MAP	1	
15	01550-06207	BOLT	1	



FIG.120

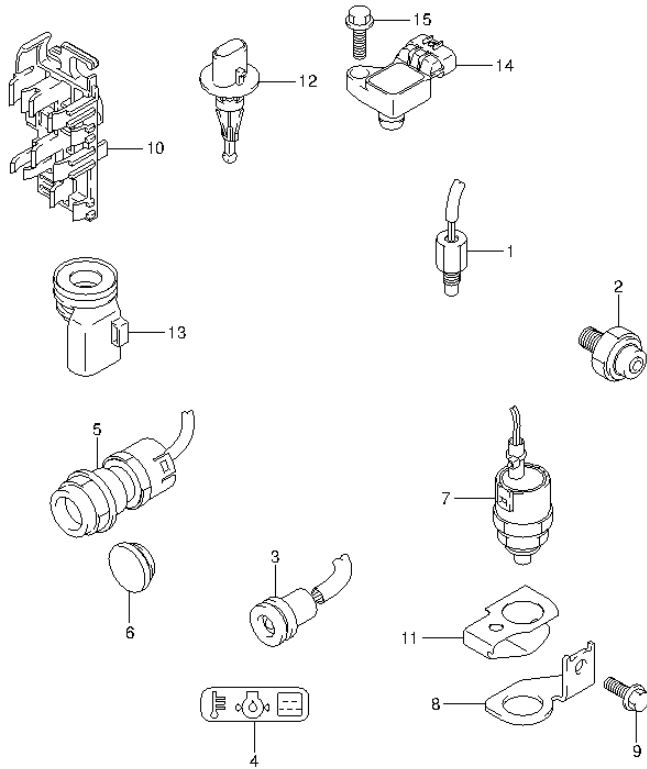


FIG.120 (1-K-7) SENSOR/SWITCH (DF20A P40)

REF NO.	PART NO.	DESCRIPTION	Q'TY	REMARKS
1	13640-32G00	SENSOR ENGINE, TEMP	1	
2	37820-93E10	SWITCH ASSY, OIL PRESSURE	1	
3	36360-99J10	INDICATOR, OIL PRESSURE	1	
4	36367-89L00	LABEL, WARNING	1	
5	37161-89L00	SWITCH ASSY, STARTER MOTOR	1	W/ELECTRIC STARTER
6	37163-89L00	PLUG, STARTING SWITCH HOLE	1	W/MANUAL STARTER
7	37721-89L00	SWITCH ASSY, NEUTRAL	1	
8	37726-89L00	BRACKET, NEUTRAL SWITCH	1	
9	01550-06167	BOLT	1	
10	36616-89L01	HOLDER, CONNECTOR	1	
11	37725-89L00	ACTUATOR, NEUTRAL SWITCH	1	
12	13650-52G00	SENSOR, INLET AIR TEMP	1	
13	13655-89L00	GROMMET, INLET AIR TEMP SENSOR	1	
14	18590-58M00	SENSOR, MAP	1	
15	01550-06207	BOLT	1	

FIG.121

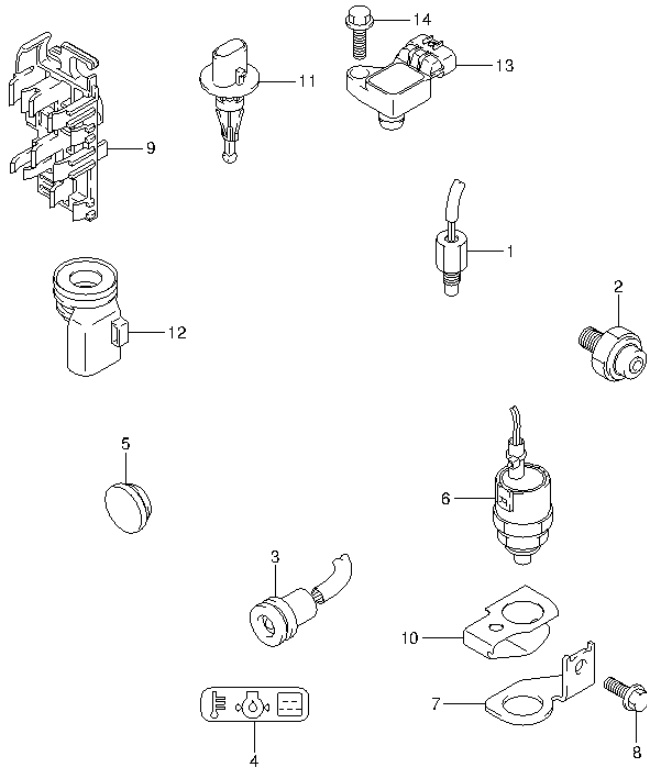


FIG.121 (1-K-8) SENSOR/SWITCH (DF20AR P01)

REF NO.	PART NO.	DESCRIPTION	Q'TY	REMARKS
1	13640-32G00	SENSOR ENGINE, TEMP	1	
2	37820-93E10	SWITCH ASSY, OIL PRESSURE	1	
3	36360-99J10	INDICATOR, OIL PRESSURE	1	
4	36367-89L00	LABEL, WARNING	1	
5	37163-89L00	PLUG, STARTING SWITCH HOLE	1	
6	37721-89L00	SWITCH ASSY, NEUTRAL	1	
7	37726-89L00	BRACKET, NEUTRAL SWITCH	1	
8	01550-06167	BOLT	1	
9	36616-89L01	HOLDER, CONNECTOR	1	
10	37725-89L00	ACTUATOR, NEUTRAL SWITCH	1	
11	13650-52G00	SENSOR, INLET AIR TEMP	1	
12	13655-89L00	GROMMET, INLET AIR TEMP SENSOR	1	
13	18590-58M00	SENSOR, MAP	1	
14	01550-06207	BOLT	1	



FIG.122

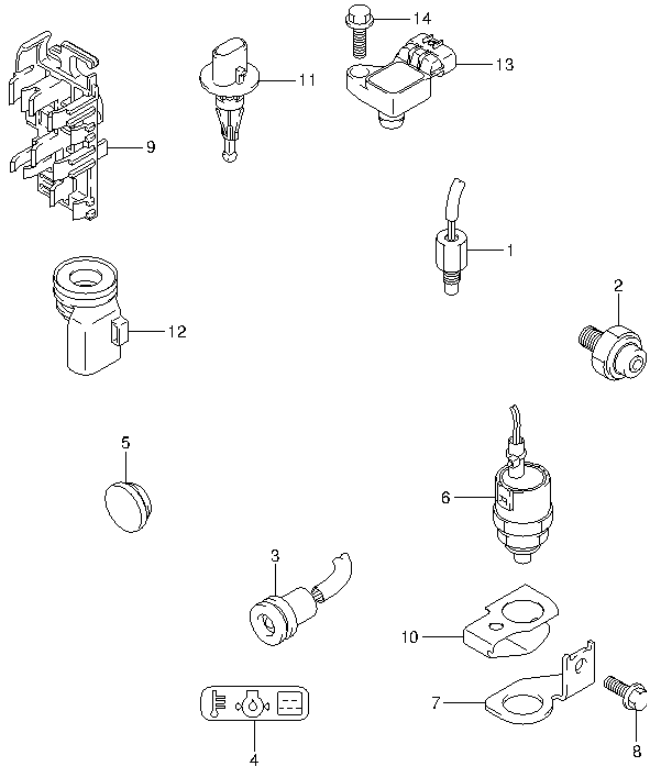


FIG.122 (1-K-9) SENSOR/SWITCH (DF20AT P01)

REF NO.	PART NO.	DESCRIPTION	Q'TY	REMARKS
1	13640-32G00	SENSOR ENGINE, TEMP	1	
2	37820-93E10	SWITCH ASSY, OIL PRESSURE	1	
3	36360-99J10	INDICATOR, OIL PRESSURE	1	
4	36367-89L00	LABEL, WARNING	1	
5	37163-89L00	PLUG, STARTING SWITCH HOLE	1	
6	37721-89L00	SWITCH ASSY, NEUTRAL	1	
7	37726-89L00	BRACKET, NEUTRAL SWITCH	1	
8	01550-06167	BOLT	1	
9	36616-89L01	HOLDER, CONNECTOR	1	
10	37725-89L00	ACTUATOR, NEUTRAL SWITCH	1	
11	13650-52G00	SENSOR, INLET AIR TEMP	1	
12	13655-89L00	GROMMET, INLET AIR TEMP SENSOR	1	
13	18590-58M00	SENSOR, MAP	1	
14	01550-06207	BOLT	1	



FIG.123

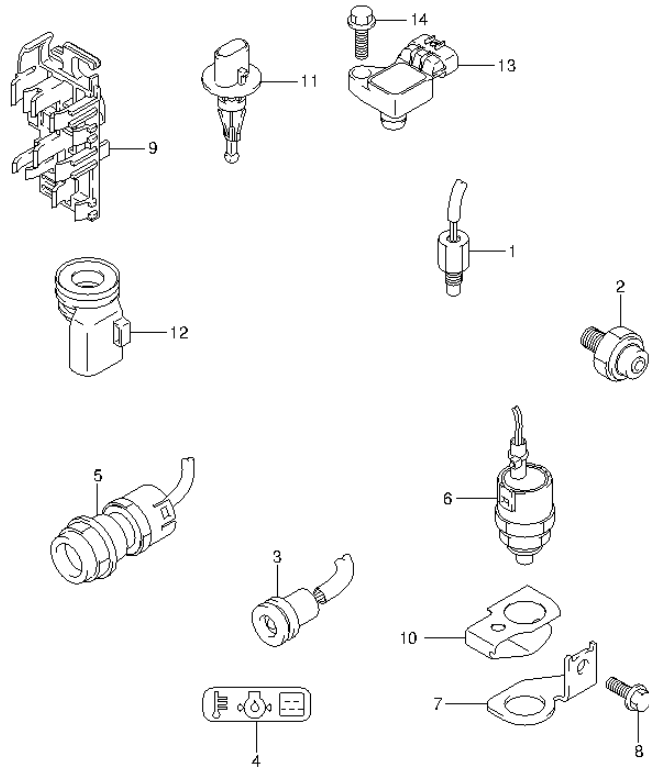


FIG.123 (1-K-10) SENSOR/SWITCH (DF20ATH P01)

REF NO.	PART NO.	DESCRIPTION	Q'TY	REMARKS
1	13640-32G00	SENSOR ENGINE, TEMP	1	
2	37820-93E10	SWITCH ASSY, OIL PRESSURE	1	
3	36360-99J10	INDICATOR, OIL PRESSURE	1	
4	36367-89L00	LABEL, WARNING	1	
5	37161-89L00	SWITCH ASSY, STARTER MOTOR	1	
6	37721-89L00	SWITCH ASSY, NEUTRAL	1	
7	37726-89L00	BRACKET, NEUTRAL SWITCH	1	
8	01550-06167	BOLT	1	
9	36616-89L01	HOLDER, CONNECTOR	1	
10	37725-89L00	ACTUATOR, NEUTRAL SWITCH	1	
11	13650-52G00	SENSOR, INLET AIR TEMP	1	
12	13655-89L00	GROMMET, INLET AIR TEMP SENSOR	1	
13	18590-58M00	SENSOR, MAP	1	
14	01550-06207	BOLT	1	



FIG.124

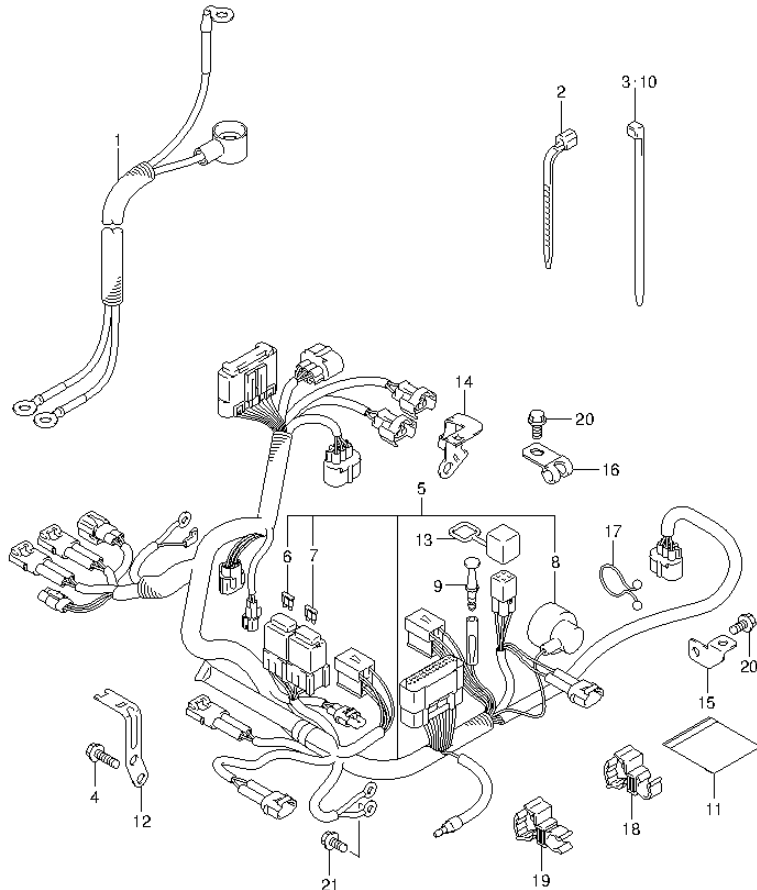


FIG.124 (1-K-11) HARNESS (DF9.9B P01)

REF NO.	PART NO.	DESCRIPTION	Q'TY	REMARKS
1	33810-89L01	CABLE, STARTER	1	W/ELECTRIC STARTER
2	09407-14403	CLAMP (L:125)	1	W/ELECTRIC STARTER
3	09407-14407	CLAMP (L:145)	1	W/ELECTRIC STARTER
4	01547-06167	BOLT	2	W/ELECTRIC STARTER
5-1	36610-89L02	HARNESS ASSY, WIRING	1	W/ELECTRIC STARTER
5-2	36610-89L12	HARNESS ASSY, WIRING	1	W/MANUAL STARTER
6	09481-10501	.FUSE (10A)	1	W/ELECTRIC STARTER
7	09481-30501	.FUSE (30A)	1	W/ELECTRIC STARTER
8	36618-43410	.CAP, OIL PRESSURE SWITCH	1	
9	36615-96300	TERMINAL, RESIN	1	
10	09407-14407	CLAMP (L:145)	4	
11	32916-89L00	COVER, CONNECTOR	1	W/ELECTRIC STARTER
12	36617-89L10	BRACKET, HARNESS	1	W/ELECTRIC STARTER
13	33634-96J00	CAP, SERVICE CONNECTOR	1	
14	36617-89L01	BRACKET, HARNESS	1	
15	36617-91J00	BRACKET, SWITCH LEAD	1	
16	09403-08404	CLAMP	1	
17	09408-00008	CLIP (ID:20)	1	
18	09408-00252	CLAMP	1	
19	09408-00297	CLAMP	1	
20	01550-06127	BOLT	2	
21	01550-06127	BOLT	1	



FIG.125

FIG.125 (1-K-12) HARNESS (DF9.9BR P01)

REF NO.	PART NO.	DESCRIPTION	Q'TY	REMARKS
1	33810-89L01	CABLE, STARTER	1	
2	36610-89L21	HARNESS ASSY, WIRING	1	
3	09481-10501	.FUSE (10A)	1	
4	09481-30501	.FUSE (30A)	1	
5	36618-43410	.CAP, OIL PRESSURE SWITCH	1	
6	09407-14407	CLAMP (L:145)	4	
7	32916-89L00	COVER, CONNECTOR	1	
8	33634-96J00	CAP, SERVICE CONNECTOR	1	
9	36617-89L01	BRACKET, HARNESS	1	
10	36617-91J00	BRACKET, SWITCH LEAD	1	
11	09403-08404	CLAMP	1	
12	09408-00008	CLIP (ID:20)	1	
13	09408-00296	CLAMP	1	
14	09408-00297	CLAMP	1	
15	01550-06127	BOLT	2	
16	01550-06127	BOLT	1	
17-1	36620-93J10	WIRE ASSY, REMOCON EXTENSION	1	OPT L:2000
17-2	36620-93J40	WIRE ASSY, REMOCON EXTENSION	1	OPT L:3000

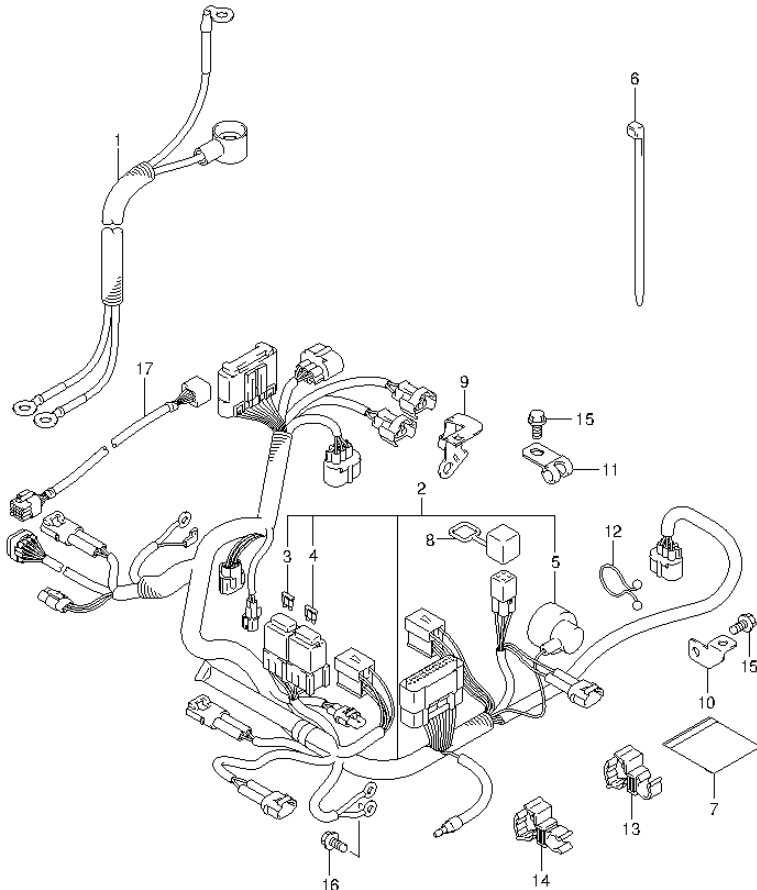


FIG.126

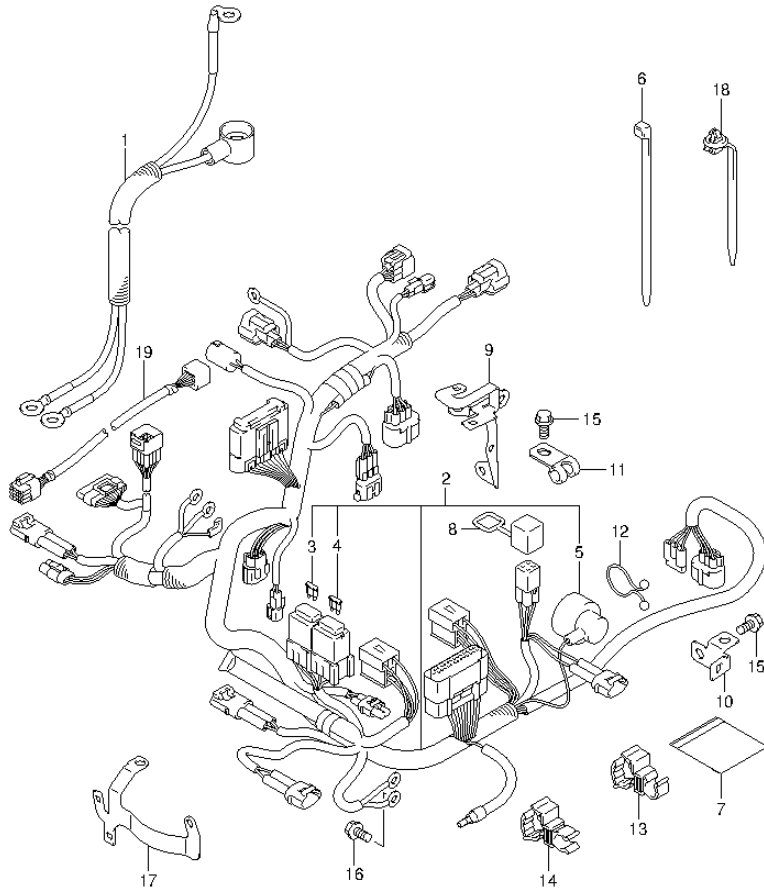


FIG.126 (1-K-13) HARNESS (DF9.9BT P01)

REF NO.	PART NO.	DESCRIPTION	Q'TY	REMARKS
1	33810-89L01	CABLE, STARTER	1	
2	36610-89L50	HARNESS ASSY, WIRING	1	
3	09481-10501	.FUSE (10A)	1	
4	09481-30501	.FUSE (30A)	1	
5	36618-43410	.CAP, OIL PRESSURE SWITCH	1	
6	09407-14407	CLAMP (L:145)	2	
7	32916-89L00	COVER, CONNECTOR	1	
8	33634-96J00	CAP, SERVICE CONNECTOR	1	
9	36617-89L30	BRACKET, HARNESS	1	
10	36617-89L20	BRACKET, SWITCH LEAD	1	
11	09403-08404	CLAMP	1	
12	09408-00024	CLIP (ID:23)	1	
13	09408-00296	CLAMP	1	
14	09408-00297	CLAMP	1	
15	01550-06127	BOLT	4	
16	01550-06127	BOLT	1	
17	36617-89L40	BRACKET, HARNESS	1	
18	36991-91J00	CLAMP, EMERGENCY SWITCH LEAD	1	
19-1	36620-93J10	WIRE ASSY, REMOCON EXTENSION	1	OPT L:2000
19-2	36620-93J40	WIRE ASSY, REMOCON EXTENSION	1	OPT L:3000



FIG.127

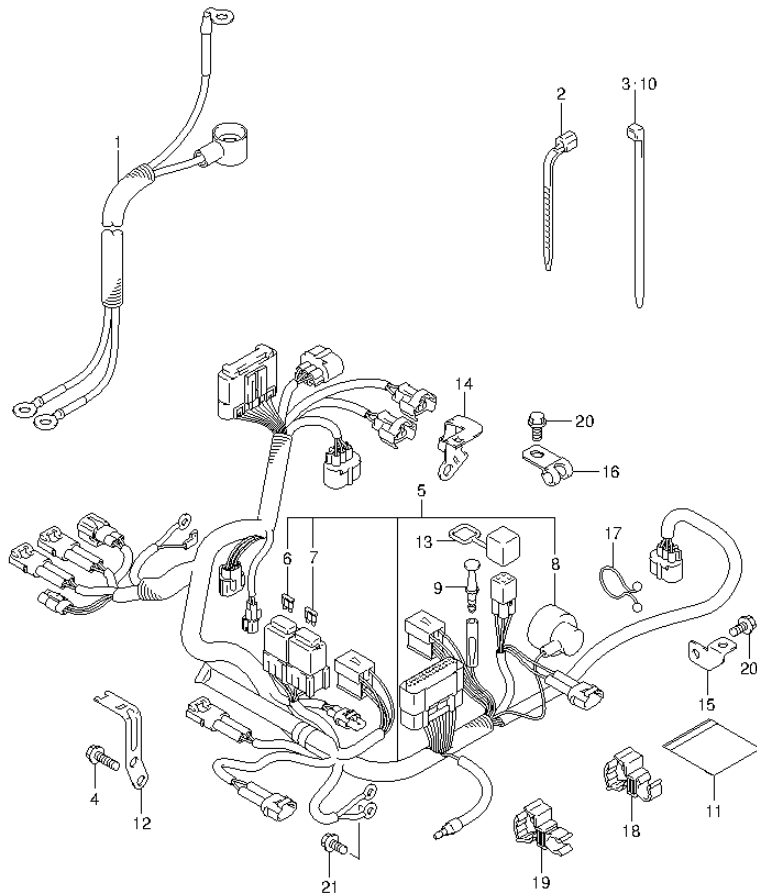


FIG.127 (1-K-14) HARNESS (DF15A P01)

REF NO.	PART NO.	DESCRIPTION	Q'TY	REMARKS
1	33810-89L01	CABLE, STARTER	1	W/ELECTRIC STARTER
2	09407-14403	CLAMP (L:125)	1	W/ELECTRIC STARTER
3	09407-14407	CLAMP (L:145)	1	W/ELECTRIC STARTER
4	01547-06167	BOLT	2	W/ELECTRIC STARTER
5-1	36610-89L02	HARNESS ASSY, WIRING	1	W/ELECTRIC STARTER
5-2	36610-89L12	HARNESS ASSY, WIRING	1	W/MANUAL STARTER
6	09481-10501	.FUSE (10A)	1	W/ELECTRIC STARTER
7	09481-30501	.FUSE (30A)	1	W/ELECTRIC STARTER
8	36618-43410	.CAP, OIL PRESSURE SWITCH	1	
9	36615-96300	TERMINAL, RESIN	1	
10	09407-14407	CLAMP (L:145)	4	
11	32916-89L00	COVER, CONNECTOR	1	W/ELECTRIC STARTER
12	36617-89L10	BRACKET, HARNESS	1	W/ELECTRIC STARTER
13	33634-96J00	CAP, SERVICE CONNECTOR	1	
14	36617-89L01	BRACKET, HARNESS	1	
15	36617-91J00	BRACKET, SWITCH LEAD	1	
16	09403-08404	CLAMP	1	
17	09408-00008	CLIP (ID:20)	1	
18	09408-00252	CLAMP	1	
19	09408-00297	CLAMP	1	
20	01550-06127	BOLT	2	
21	01550-06127	BOLT	1	





FIG.128

FIG.128 (1-K-15) HARNESS (DF15AR P01)

REF NO.	PART NO.	DESCRIPTION	Q'TY	REMARKS
1	33810-89L01	CABLE, STARTER	1	
2	36610-89L21	HARNESS ASSY, WIRING	1	
3	09481-10501	.FUSE (10A)	1	
4	09481-30501	.FUSE (30A)	1	
5	36618-43410	.CAP, OIL PRESSURE SWITCH	1	
6	09407-14407	CLAMP (L:145)	4	
7	32916-89L00	COVER, CONNECTOR	1	
8	33634-96J00	CAP, SERVICE CONNECTOR	1	
9	36617-89L01	BRACKET, HARNESS	1	
10	36617-91J00	BRACKET, SWITCH LEAD	1	
11	09403-08404	CLAMP	1	
12	09408-00008	CLIP (ID:20)	1	
13	09408-00296	CLAMP	1	
14	09408-00297	CLAMP	1	
15	01550-06127	BOLT	2	
16	01550-06127	BOLT	1	
17-1	36620-93J10	WIRE ASSY, REMOCON EXTENSION	1	OPT L:2000
17-2	36620-93J40	WIRE ASSY, REMOCON EXTENSION	1	OPT L:3000

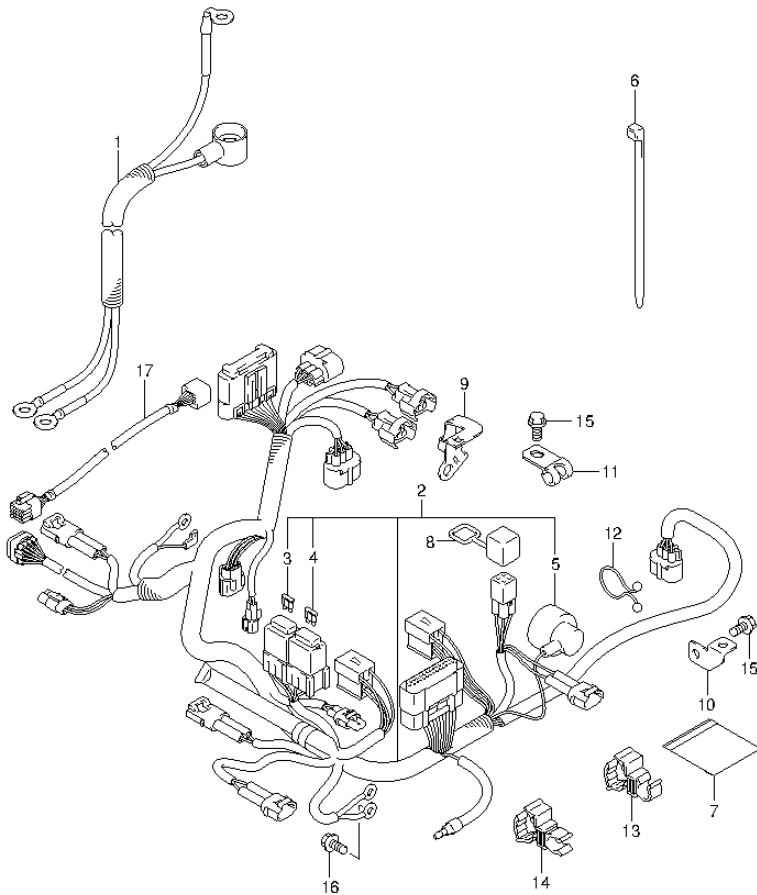


FIG.129

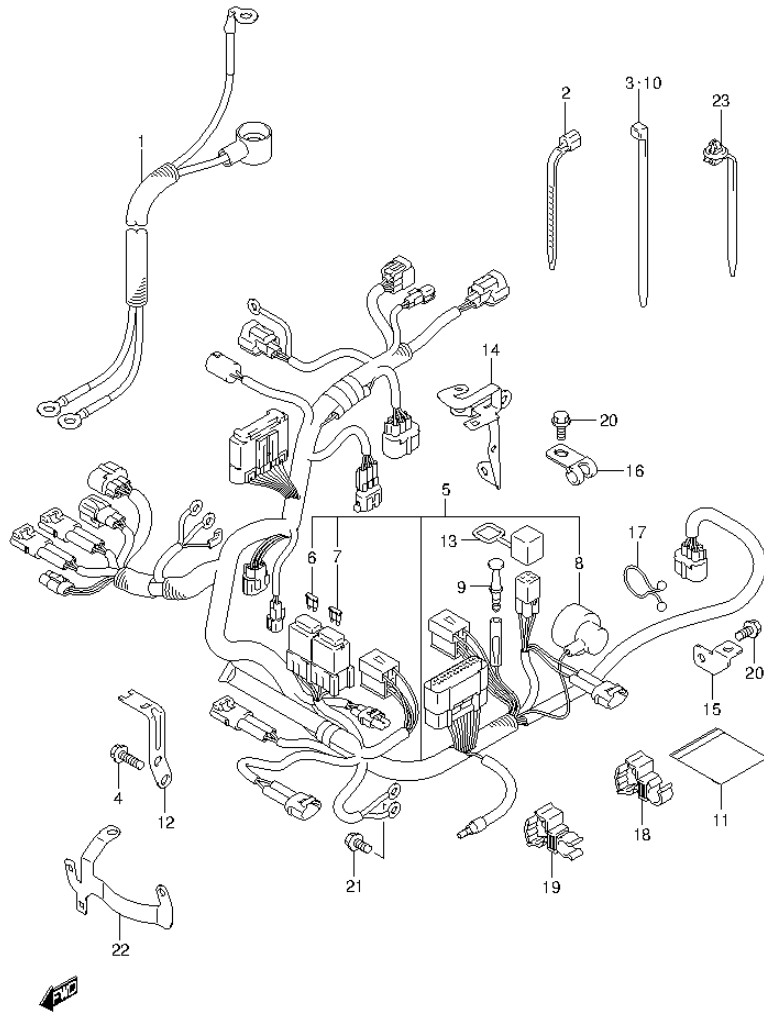


FIG.129 (1-L-2) HARNESS (DF15ATH P01)

REF NO.	PART NO.	DESCRIPTION	Q'TY	REMARKS
1	33810-89L01	CABLE, STARTER	1	
2	09407-14403	CLAMP (L:125)	1	
3	09407-14407	CLAMP (L:145)	1	
4	01547-06167	BOLT	2	
5	36610-89L40	HARNESS ASSY, WIRING	1	
6	09481-10501	.FUSE (10A)	1	
7	09481-30501	.FUSE (30A)	1	
8	36618-43410	.CAP, OIL PRESSURE SWITCH	1	
9	36615-96300	TERMINAL, RESIN	1	
10	09407-14407	CLAMP (L:145)	2	
11	32916-89L00	COVER, CONNECTOR	1	
12	36617-89L10	BRACKET, HARNESS	1	
13	33634-96J00	CAP, SERVICE CONNECTOR	1	
14	36617-89L30	BRACKET, HARNESS	1	
15	36617-91J00	BRACKET, SWITCH LEAD	1	
16	09403-08404	CLAMP	1	
17	09408-00008	CLIP (ID:20)	1	
18	09408-00252	CLAMP	1	
19	09408-00297	CLAMP	1	
20	01550-06127	BOLT	4	
21	01550-06127	BOLT	1	
22	36617-89L40	BRACKET, HARNESS	1	
23	36991-91J00	CLAMP, EMERGENCY SWITCH LEAD	1	

FIG.130

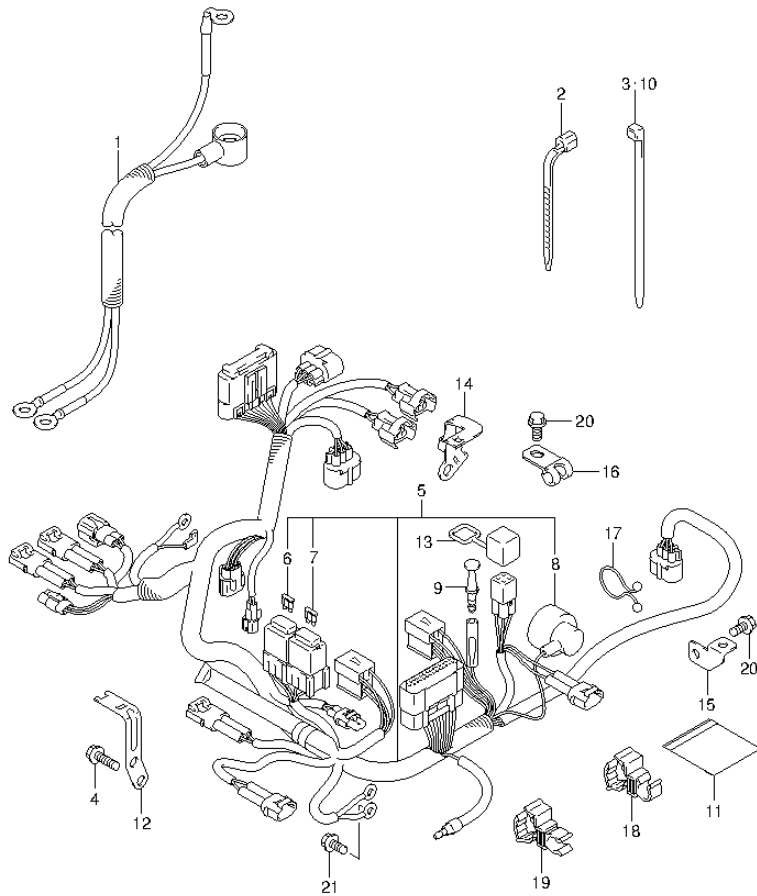


FIG.130 (1-L-3) HARNESS (DF20A P01)

REF NO.	PART NO.	DESCRIPTION	Q'TY	REMARKS
1	33810-89L01	CABLE, STARTER	1	W/ELECTRIC STARTER
2	09407-14403	CLAMP (L:125)	1	W/ELECTRIC STARTER
3	09407-14407	CLAMP (L:145)	1	W/ELECTRIC STARTER
4	01547-06167	BOLT	2	W/ELECTRIC STARTER
5-1	36610-89L02	HARNESS ASSY, WIRING	1	W/ELECTRIC STARTER
5-2	36610-89L12	HARNESS ASSY, WIRING	1	W/MANUAL STARTER
6	09481-10501	.FUSE (10A)	1	W/ELECTRIC STARTER
7	09481-30501	.FUSE (30A)	1	W/ELECTRIC STARTER
8	36618-43410	.CAP, OIL PRESSURE SWITCH	1	
9	36615-96300	TERMINAL, RESIN	1	
10	09407-14407	CLAMP (L:145)	4	
11	32916-89L00	COVER, CONNECTOR	1	W/ELECTRIC STARTER
12	36617-89L10	BRACKET, HARNESS	1	W/ELECTRIC STARTER
13	33634-96J00	CAP, SERVICE CONNECTOR	1	
14	36617-89L01	BRACKET, HARNESS	1	
15	36617-91J00	BRACKET, SWITCH LEAD	1	
16	09403-08404	CLAMP	1	
17	09408-00008	CLIP (ID:20)	1	
18	09408-00252	CLAMP	1	
19	09408-00297	CLAMP	1	
20	01550-06127	BOLT	2	
21	01550-06127	BOLT	1	



FIG.131

FIG.131 (1-L-4) HARNESS (DF20A P40)

REF NO.	PART NO.	DESCRIPTION	Q'TY	REMARKS
1	33810-89L01	CABLE, STARTER	1	W/ELECTRIC STARTER
2	09407-14403	CLAMP (L:125)	1	W/ELECTRIC STARTER
3	09407-14407	CLAMP (L:145)	1	W/ELECTRIC STARTER
4	01547-06167	BOLT	2	W/ELECTRIC STARTER
5-1	36610-89L02	HARNESS ASSY, WIRING	1	W/ELECTRIC STARTER
5-2	36610-89L12	HARNESS ASSY, WIRING	1	W/MANUAL STARTER
6	09481-10501	.FUSE (10A)	1	W/ELECTRIC STARTER
7	09481-30501	.FUSE (30A)	1	W/ELECTRIC STARTER
8	36618-43410	.CAP, OIL PRESSURE SWITCH	1	
9	36615-96300	TERMINAL, RESIN	1	
10	09407-14407	CLAMP (L:145)	4	
11	32916-89L00	COVER, CONNECTOR	1	W/ELECTRIC STARTER
12	36617-89L10	BRACKET, HARNESS	1	W/ELECTRIC STARTER
13	33634-96J00	CAP, SERVICE CONNECTOR	1	
14	36617-89L01	BRACKET, HARNESS	1	
15	36617-91J00	BRACKET, SWITCH LEAD	1	
16	09403-08404	CLAMP	1	
17	09408-00008	CLIP (ID:20)	1	
18	09408-00252	CLAMP	1	
19	09408-00297	CLAMP	1	
20	01550-06127	BOLT	2	
21	01550-06127	BOLT	1	

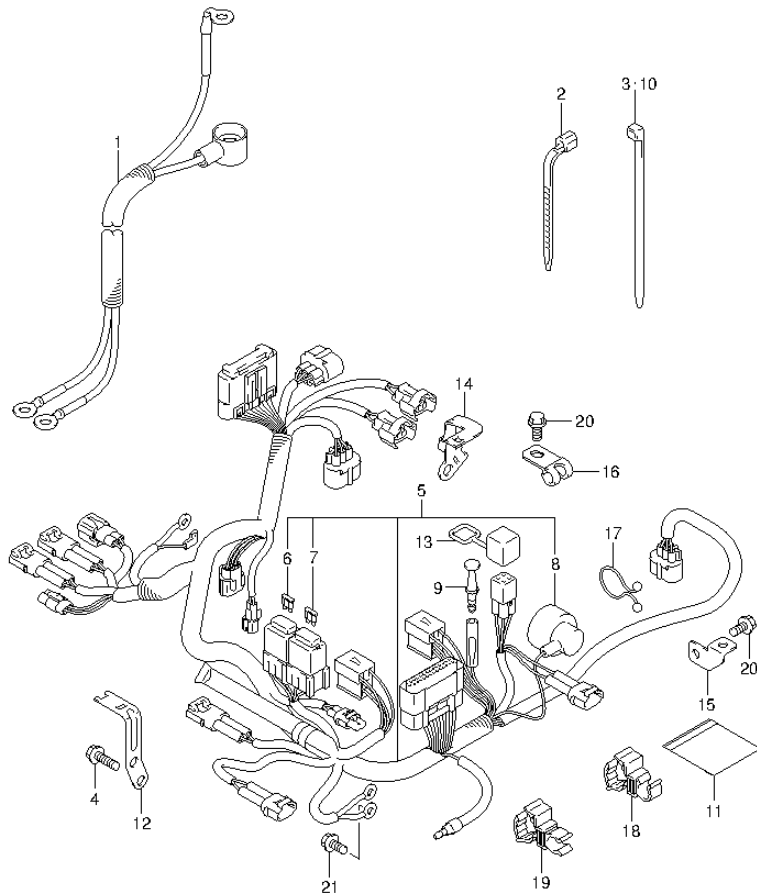


FIG.132

FIG.132 (1-L-5) HARNESS (DF20AR P01)

REF NO.	PART NO.	DESCRIPTION	Q'TY	REMARKS
1	33810-89L01	CABLE, STARTER	1	
2	36610-89L21	HARNESS ASSY, WIRING	1	
3	09481-10501	.FUSE (10A)	1	
4	09481-30501	.FUSE (30A)	1	
5	36618-43410	.CAP, OIL PRESSURE SWITCH	1	
6	09407-14407	CLAMP (L:145)	4	
7	32916-89L00	COVER, CONNECTOR	1	
8	33634-96J00	CAP, SERVICE CONNECTOR	1	
9	36617-89L01	BRACKET, HARNESS	1	
10	36617-91J00	BRACKET, SWITCH LEAD	1	
11	09403-08404	CLAMP	1	
12	09408-00008	CLIP (ID:20)	1	
13	09408-00296	CLAMP	1	
14	09408-00297	CLAMP	1	
15	01550-06127	BOLT	2	
16	01550-06127	BOLT	1	
17-1	36620-93J10	WIRE ASSY, REMOCON EXTENSION	1	OPT L:2000
17-2	36620-93J40	WIRE ASSY, REMOCON EXTENSION	1	OPT L:3000

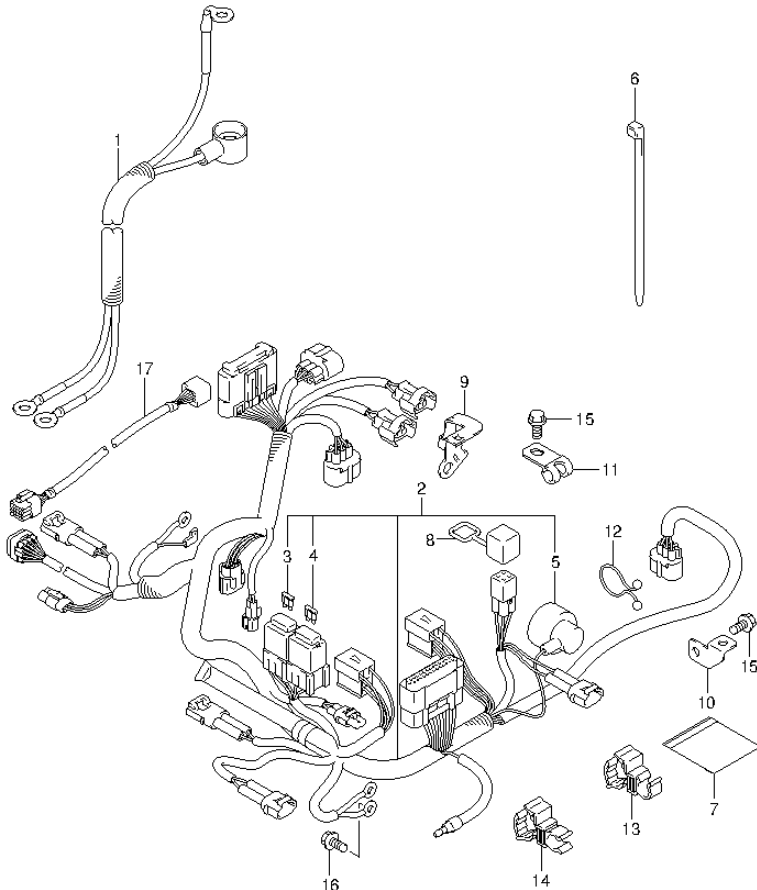


FIG.133

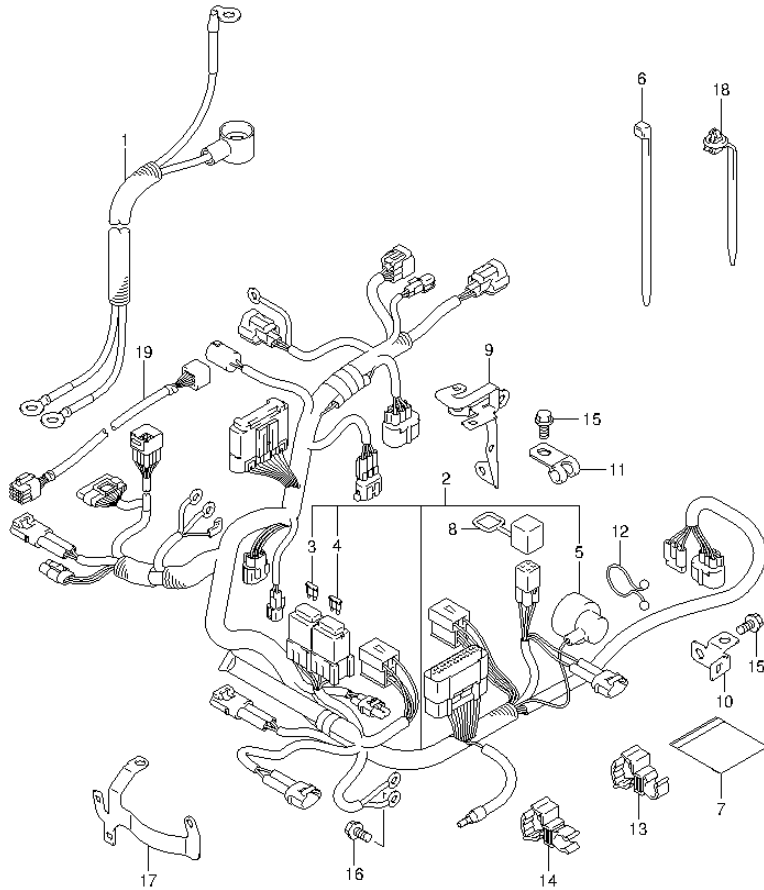


FIG.133 (1-L-6) HARNESS (DF20AT P01)

REF NO.	PART NO.	DESCRIPTION	Q'TY	REMARKS
1	33810-89L01	CABLE, STARTER	1	
2	36610-89L50	HARNESS ASSY, WIRING	1	
3	09481-10501	.FUSE (10A)	1	
4	09481-30501	.FUSE (30A)	1	
5	36618-43410	.CAP, OIL PRESSURE SWITCH	1	
6	09407-14407	CLAMP (L:145)	2	
7	32916-89L00	COVER, CONNECTOR	1	
8	33634-96J00	CAP, SERVICE CONNECTOR	1	
9	36617-89L30	BRACKET, HARNESS	1	
10	36617-89L20	BRACKET, SWITCH LEAD	1	
11	09403-08404	CLAMP	1	
12	09408-00024	CLIP (ID:23)	1	
13	09408-00296	CLAMP	1	
14	09408-00297	CLAMP	1	
15	01550-06127	BOLT	4	
16	01550-06127	BOLT	1	
17	36617-89L40	BRACKET, HARNESS	1	
18	36991-91J00	CLAMP, EMERGENCY SWITCH LEAD	1	
19-1	36620-93J10	WIRE ASSY, REMOCON EXTENSION	1	OPT L:2000
19-2	36620-93J40	WIRE ASSY, REMOCON EXTENSION	1	OPT L:3000



FIG.134

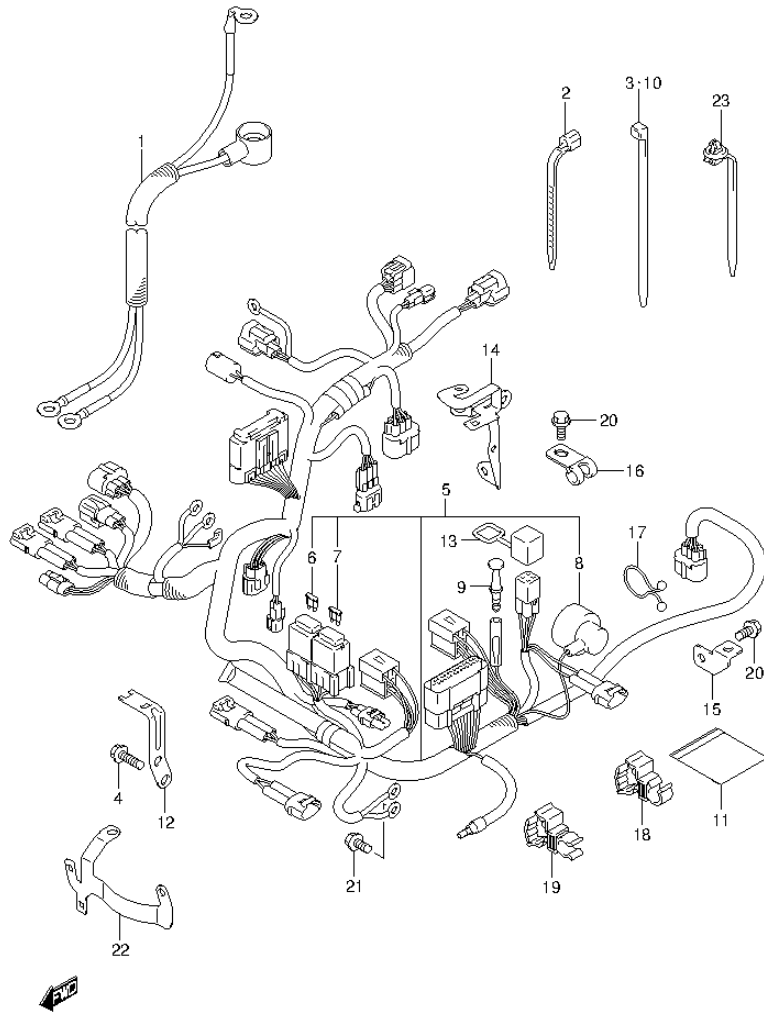


FIG.134 (1-L-7) HARNESS (DF20ATH P01)

REF NO.	PART NO.	DESCRIPTION	Q'TY	REMARKS
1	33810-89L01	CABLE, STARTER	1	
2	09407-14403	CLAMP (L:125)	1	
3	09407-14407	CLAMP (L:145)	1	
4	01547-06167	BOLT	2	
5	36610-89L40	HARNESS ASSY, WIRING	1	
6	09481-10501	.FUSE (10A)	1	
7	09481-30501	.FUSE (30A)	1	
8	36618-43410	.CAP, OIL PRESSURE SWITCH	1	
9	36615-96300	TERMINAL, RESIN	1	
10	09407-14407	CLAMP (L:145)	2	
11	32916-89L00	COVER, CONNECTOR	1	
12	36617-89L10	BRACKET, HARNESS	1	
13	33634-96J00	CAP, SERVICE CONNECTOR	1	
14	36617-89L30	BRACKET, HARNESS	1	
15	36617-91J00	BRACKET, SWITCH LEAD	1	
16	09403-08404	CLAMP	1	
17	09408-00008	CLIP (ID:20)	1	
18	09408-00252	CLAMP	1	
19	09408-00297	CLAMP	1	
20	01550-06127	BOLT	4	
21	01550-06127	BOLT	1	
22	36617-89L40	BRACKET, HARNESS	1	
23	36991-91J00	CLAMP, EMERGENCY SWITCH LEAD	1	

FIG.135

FIG.135 (1-L-8) CLAMP BRACKET (DF9.9B P01)

REF NO.	PART NO.	DESCRIPTION	Q'TY	REMARKS
1	41111-89L00-OEP	BRACKET, CLAMP STBD (BLACK)	1	
2	41121-89L00-OEP	BRACKET, CLAMP PORT (BLACK)	1	
3	41211-99JL0	SCREW, CLAMP	2	
4	41212-91J00	HANDLE, CLAMP	2	
5	41213-98100	PLATE, CLAMP	2	
6	09205-06007	SPRING PIN (6X25)	2	
7	41130-90L00	SHAFT, CLAMP BRACKET	1	
8	09159-22006	NUT	1	
9	09100-06178	BOLT (6X150)	1	
10	09160-06082	WASHER (6.5X13X1.0)	1	
11	09180-06366	SPACER (6.5X10.5X114)	1	
12	29141-93J00	NUT, CLAMP BRKT LOWER (M6)	1	
13	45261-89L00	LEVER, RELEASE	1	
14	09306-22006	BUSH (22.6X27X8)	2	
15	09100-08311	BOLT (8X90)	2	
16	09140-08023-XC0	NUT	2	
17	09160-08081	WASHER (8.5X23X1.5)	2	
18	29162-93J10	WASHER, TRANSOM BOLT LOCK	2	
19	45420-89L00	PIN, TILT LOCK	1	
20	45425-94J00	STOPPER, TILT LOCK PIN	1	
21	09441-17001	SPRING	1	
22	09160-08170	WASHER (8.5X16X2)	2	
23	45269-89L00	MARK, REVERSE LOCK	1	
24	69911-91J40	MARK, CLAMP BRACKET	1	
25	41210-99JL1	SCREW SET, CLAMP	1	OPT

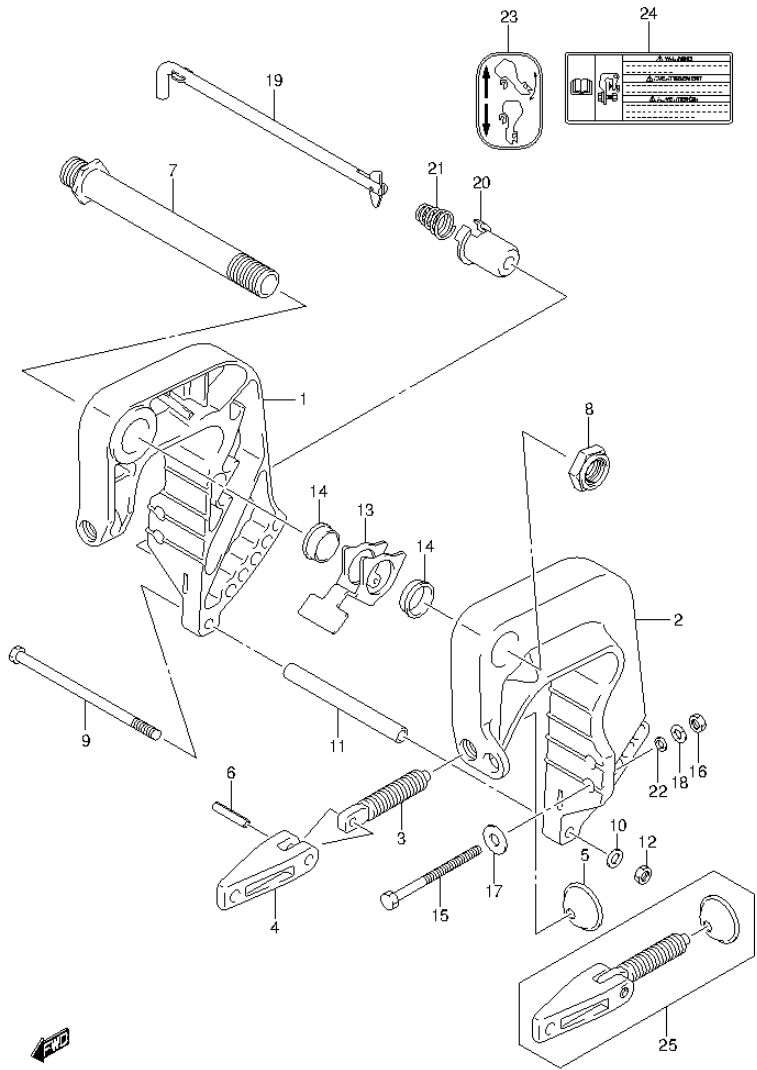




FIG.136

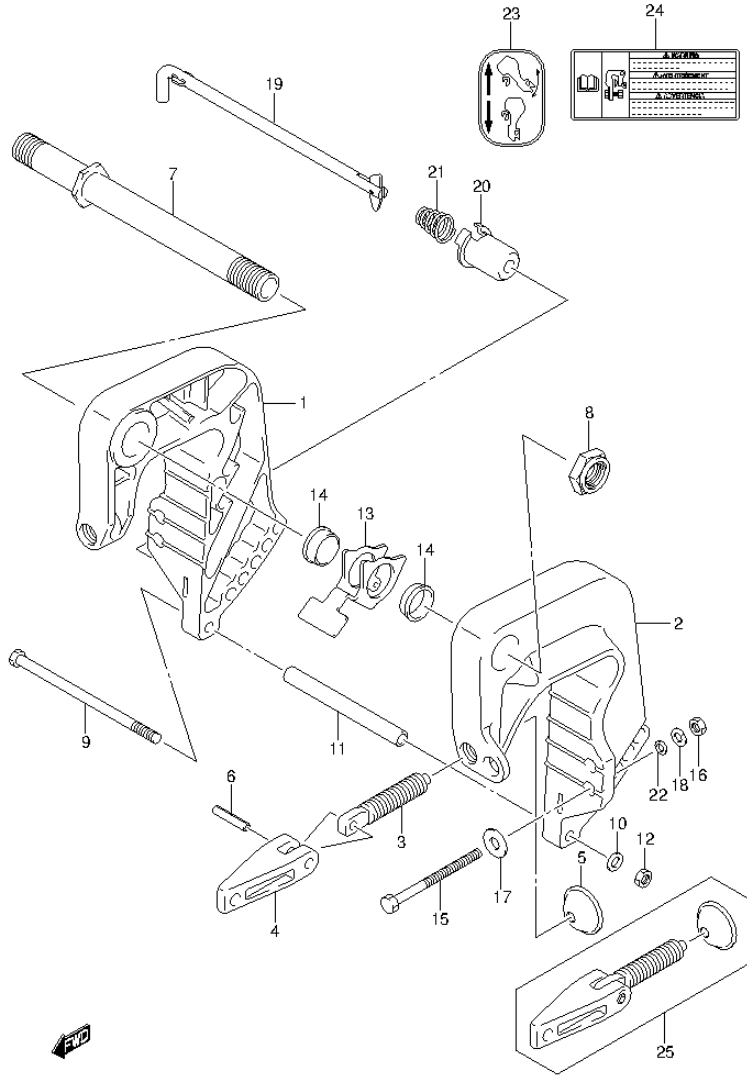


FIG.136 (1-L-9) CLAMP BRACKET (DF9.9BR P01)

REF NO.	PART NO.	DESCRIPTION	Q'TY	REMARKS
1	41111-89L00-OEP	BRACKET, CLAMP STBD (BLACK)	1	
2	41121-89L00-OEP	BRACKET, CLAMP PORT (BLACK)	1	
3	41211-99JL0	SCREW, CLAMP	2	
4	41212-91J00	HANDLE, CLAMP	2	
5	41213-98100	PLATE, CLAMP	2	
6	09205-06007	SPRING PIN (6X25)	2	
7	41130-89L00	SHAFT, CLAMP BRACKET	1	
8	09159-22006	NUT	1	
9	09100-06178	BOLT (6X150)	1	
10	09160-06082	WASHER (6.5X13X1.0)	1	
11	09180-06366	SPACER (6.5X10.5X114)	1	
12	29141-93J00	NUT, CLAMP BRKT LOWER (M6)	1	
13	45261-89L00	LEVER, RELEASE	1	
14	09306-22006	BUSH (22.6X27X8)	2	
15	09100-08311	BOLT (8X90)	2	
16	09140-08023-XC0	NUT	2	
17	09160-08081	WASHER (8.5X23X1.5)	2	
18	29162-93J10	WASHER, TRANSOM BOLT LOCK	2	
19	45420-89L00	PIN, TILT LOCK	1	
20	45425-94J00	STOPPER, TILT LOCK PIN	1	
21	09441-17001	SPRING	1	
22	09160-08170	WASHER (8.5X16X2)	2	
23	45269-89L00	MARK, REVERSE LOCK	1	
24	69911-91J40	MARK, CLAMP BRACKET	1	
25	41210-99JL1	SCREW SET, CLAMP	1	OPT

FIG.137

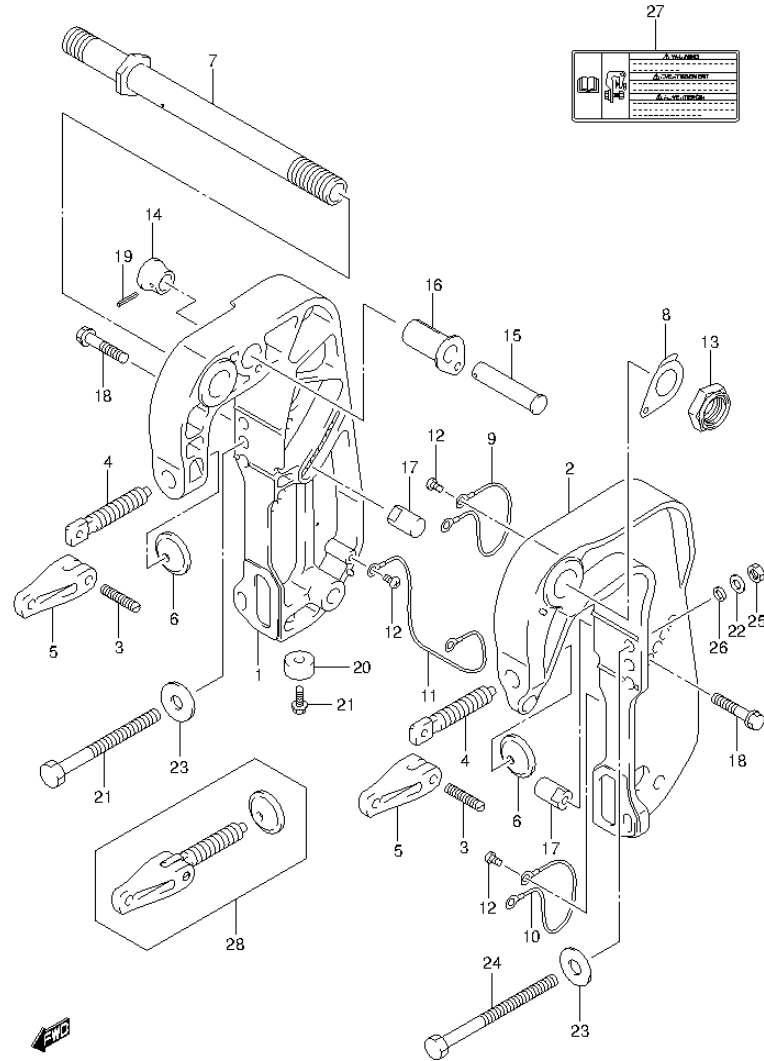


FIG.137 (1-L-10) CLAMP BRACKET (DF9.9BT P01)

REF NO.	PART NO.	DESCRIPTION	Q'TY	REMARKS
1	41111-89LA0-OEP	BRACKET, CLAMP STBD (BLACK)	1	
2	41121-89LA0-OEP	BRACKET, CLAMP PORT (BLACK)	1	
3	09205-06007	SPRING PIN (6X25)	2	
4	41211-95J00	SCREW, CLAMP	2	
5	41212-91J00	HANDLE, CLAMP	2	
6	41213-98100	PLATE, CLAMP	2	
7	41130-94JA1	SHAFT, CLAMP BRKT	1	
8	41135-93J11	WASHER, CLAMP BRKT SHAFT	1	
9	36894-87D00	LEAD, SWIVEL TO CLAMP	1	
10	36894-87D00	LEAD, PWR TILT TO CLAMP PORT	1	
11	36895-87D01	LEAD, PWR TILT TO CLAMP STBD	1	
12	09125-06063	SCREW (6X10)	5	
13	09159-22006	NUT	1	
14	41221-94JA0	KNOB, TILT STOPPER	1	
15	41222-94JA0	PIN, TILT STOPPER	1	
16	41226-94JA0	BUSH, TILT STOPPER	1	
17	45421-94JA0	PIN, TILT LOCK	2	
18	09116-08128	BOLT (8X40)	2	
19	09205-03004	SPRING PIN (3X20)	1	
20-1	55321-87J00	ANODE, PROTECTION	2	
20-2	55321-87J10	ANODE(MAGNESIUM)	1	OPT
21	09103-06281	BOLT (6X14)	2	
22	29162-93J10	WASHER, TRANSOM BOLT LOCK	2	
23	09160-08081	WASHER (8.5X23X1.5)	2	
24	09100-08311	BOLT (8X90)	2	
25	09140-08023-XC0	NUT	2	
26	09160-08170	WASHER (8.5X16X2)	2	
27	69911-91J40	MARK, CLAMP BRACKET	1	
28	41210-89LA0	SCREW SET, CLAMP	1	OPT

FIG.138

FIG.138 (1-L-11) CLAMP BRACKET (DF15A P01)

REF NO.	PART NO.	DESCRIPTION	Q'TY	REMARKS
1	41111-89L00-OEP	BRACKET, CLAMP STBD (BLACK)	1	
2	41121-89L00-OEP	BRACKET, CLAMP PORT (BLACK)	1	
3	41211-99JL0	SCREW, CLAMP	2	
4	41212-91J00	HANDLE, CLAMP	2	
5	41213-98100	PLATE, CLAMP	2	
6	09205-06007	SPRING PIN (6X25)	2	
7	41130-90L00	SHAFT, CLAMP BRACKET	1	
8	09159-22006	NUT	1	
9	09100-06178	BOLT (6X150)	1	
10	09160-06082	WASHER (6.5X13X1.0)	1	
11	09180-06366	SPACER (6.5X10.5X114)	1	
12	29141-93J00	NUT, CLAMP BRKT LOWER (M6)	1	
13	45261-89L00	LEVER, RELEASE	1	
14	09306-22006	BUSH (22.6X27X8)	2	
15	09100-08311	BOLT (8X90)	2	
16	09140-08023-XC0	NUT	2	
17	09160-08081	WASHER (8.5X23X1.5)	2	
18	29162-93J10	WASHER, TRANSOM BOLT LOCK	2	
19	45420-89L00	PIN, TILT LOCK	1	
20	45425-94J00	STOPPER, TILT LOCK PIN	1	
21	09441-17001	SPRING	1	
22	09160-08170	WASHER (8.5X16X2)	2	
23	45269-89L00	MARK, REVERSE LOCK	1	
24	69911-91J40	MARK, CLAMP BRACKET	1	
25	41210-99JL1	SCREW SET, CLAMP	1	OPT

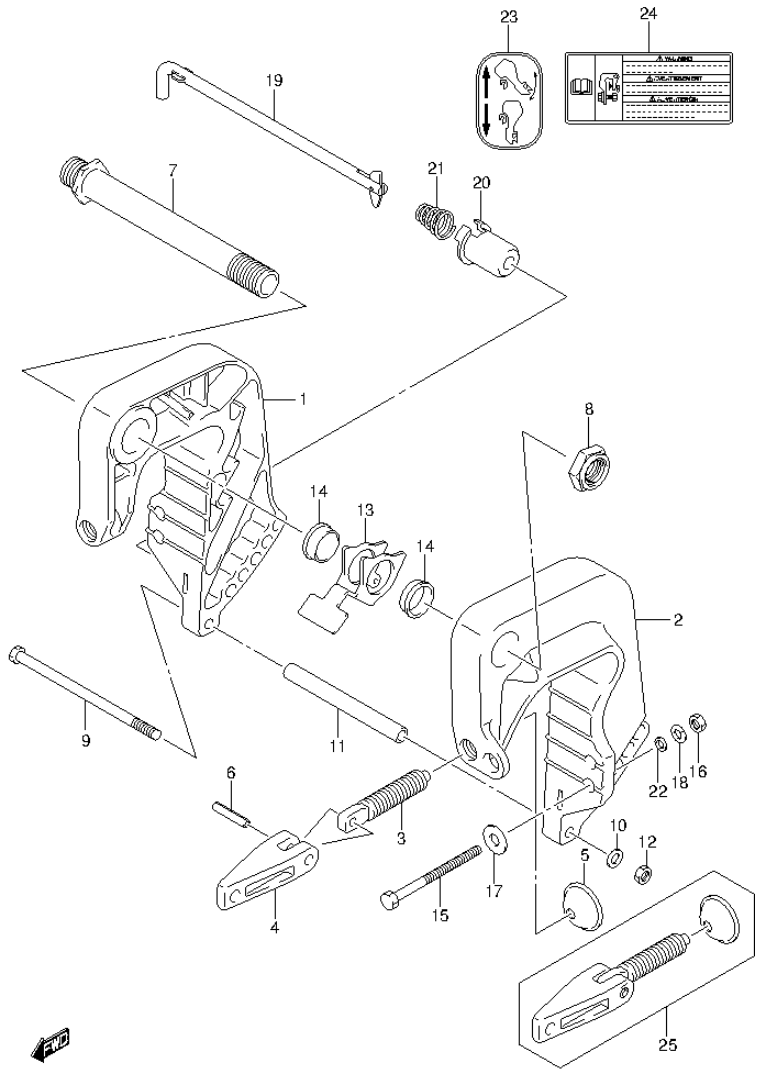


FIG.139

FIG.139 (1-L-12) CLAMP BRACKET (DF15AR P01)

REF NO.	PART NO.	DESCRIPTION	Q'TY	REMARKS
1	41111-89L00-OEP	BRACKET, CLAMP STBD (BLACK)	1	
2	41121-89L00-OEP	BRACKET, CLAMP PORT (BLACK)	1	
3	41211-99JL0	SCREW, CLAMP	2	
4	41212-91J00	HANDLE, CLAMP	2	
5	41213-98100	PLATE, CLAMP	2	
6	09205-06007	SPRING PIN (6X25)	2	
7	41130-89L00	SHAFT, CLAMP BRACKET	1	
8	09159-22006	NUT	1	
9	09100-06178	BOLT (6X150)	1	
10	09160-06082	WASHER (6.5X13X1.0)	1	
11	09180-06366	SPACER (6.5X10.5X114)	1	
12	29141-93J00	NUT, CLAMP BRKT LOWER (M6)	1	
13	45261-89L00	LEVER, RELEASE	1	
14	09306-22006	BUSH (22.6X27X8)	2	
15	09100-08311	BOLT (8X90)	2	
16	09140-08023-XC0	NUT	2	
17	09160-08081	WASHER (8.5X23X1.5)	2	
18	29162-93J10	WASHER, TRANSOM BOLT LOCK	2	
19	45420-89L00	PIN, TILT LOCK	1	
20	45425-94J00	STOPPER, TILT LOCK PIN	1	
21	09441-17001	SPRING	1	
22	09160-08170	WASHER (8.5X16X2)	2	
23	45269-89L00	MARK, REVERSE LOCK	1	
24	69911-91J40	MARK, CLAMP BRACKET	1	
25	41210-99JL1	SCREW SET, CLAMP	1	OPT

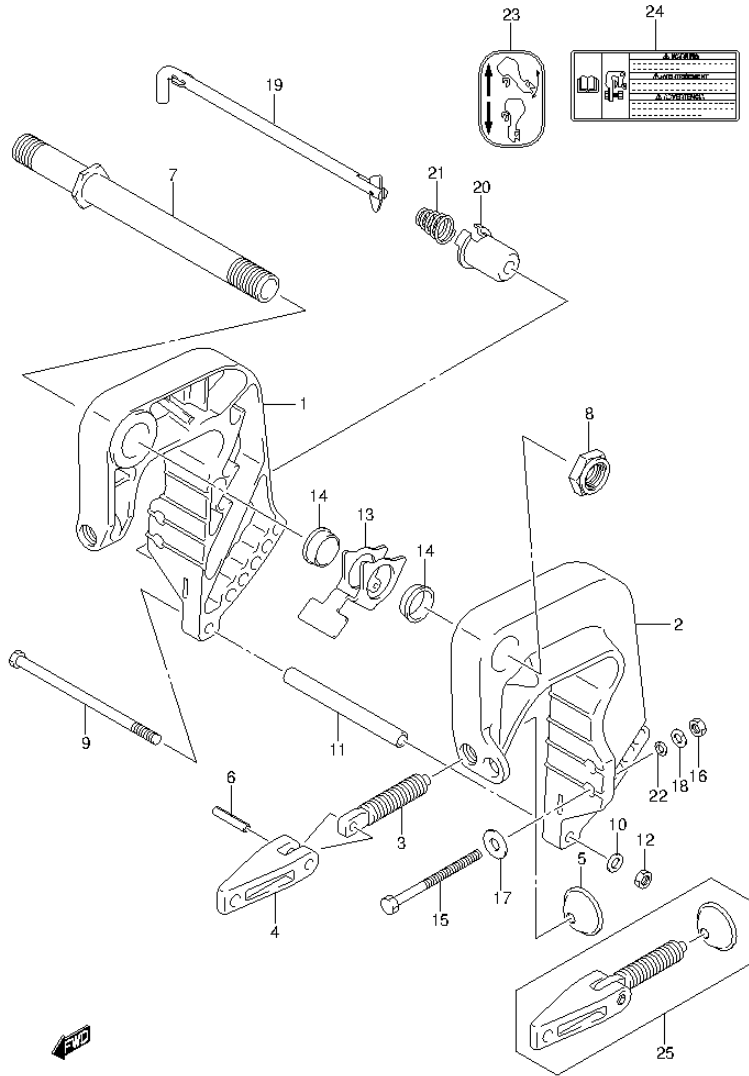


FIG.140

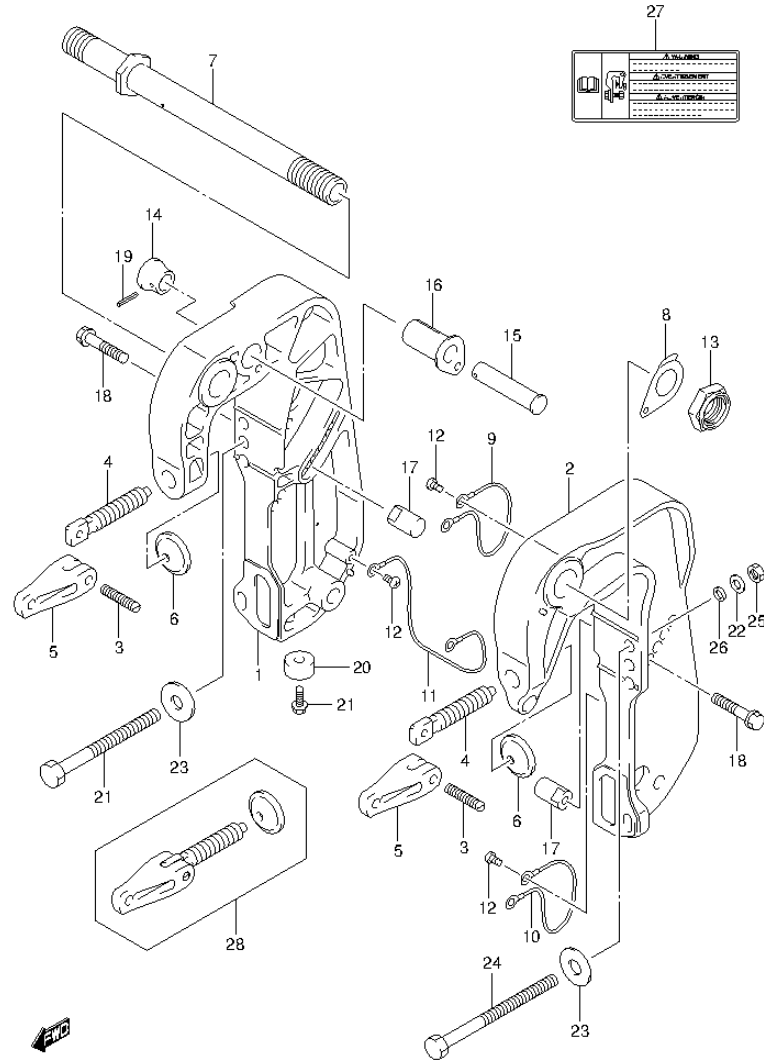


FIG.140 (1-L-13) CLAMP BRACKET (DF15ATH P01)

REF NO.	PART NO.	DESCRIPTION	Q'TY	REMARKS
1	41111-89LA0-0EP	BRACKET, CLAMP STBD (BLACK)	1	
2	41121-89LA0-0EP	BRACKET, CLAMP PORT (BLACK)	1	
3	09205-06007	SPRING PIN (6X25)	2	
4	41211-95J00	SCREW, CLAMP	2	
5	41212-91J00	HANDLE, CLAMP	2	
6	41213-98100	PLATE, CLAMP	2	
7	41130-94JA1	SHAFT, CLAMP BRKT	1	
8	41135-93J11	WASHER, CLAMP BRKT SHAFT	1	
9	36894-87D00	LEAD, SWIVEL TO CLAMP	1	
10	36894-87D00	LEAD, PWR TILT TO CLAMP PORT	1	
11	36895-87D01	LEAD, PWR TILT TO CLAMP STBD	1	
12	09125-06063	SCREW (6X10)	5	
13	09159-22006	NUT	1	
14	41221-94JA0	KNOB, TILT STOPPER	1	
15	41222-94JA0	PIN, TILT STOPPER	1	
16	41226-94JA0	BUSH, TILT STOPPER	1	
17	45421-94JA0	PIN, TILT LOCK	2	
18	09116-08128	BOLT (8X40)	2	
19	09205-03004	SPRING PIN (3X20)	1	
20-1	55321-87J00	ANODE, PROTECTION	2	
20-2	55321-87J10	ANODE(MAGNESIUM)	1	OPT
21	09103-06281	BOLT (6X14)	2	
22	29162-93J10	WASHER, TRANSOM BOLT LOCK	2	
23	09160-08081	WASHER (8.5X23X1.5)	2	
24	09100-08311	BOLT (8X90)	2	
25	09140-08023-XC0	NUT	2	
26	09160-08170	WASHER (8.5X16X2)	2	
27	69911-91J40	MARK, CLAMP BRACKET	1	
28	41210-89LA0	SCREW SET, CLAMP	1	OPT

FIG.141

FIG.141 (1-L-14) CLAMP BRACKET (DF20A P01)

REF NO.	PART NO.	DESCRIPTION	Q'TY	REMARKS
1	41111-89L00-OEP	BRACKET, CLAMP STBD (BLACK)	1	
2	41121-89L00-OEP	BRACKET, CLAMP PORT (BLACK)	1	
3	41211-99JL0	SCREW, CLAMP	2	
4	41212-91J00	HANDLE, CLAMP	2	
5	41213-98100	PLATE, CLAMP	2	
6	09205-06007	SPRING PIN (6X25)	2	
7	41130-90L00	SHAFT, CLAMP BRACKET	1	
8	09159-22006	NUT	1	
9	09100-06178	BOLT (6X150)	1	
10	09160-06082	WASHER (6.5X13X1.0)	1	
11	09180-06366	SPACER (6.5X10.5X114)	1	
12	29141-93J00	NUT, CLAMP BRKT LOWER (M6)	1	
13	45261-89L00	LEVER, RELEASE	1	
14	09306-22006	BUSH (22.6X27X8)	2	
15	09100-08311	BOLT (8X90)	2	
16	09140-08023-XC0	NUT	2	
17	09160-08081	WASHER (8.5X23X1.5)	2	
18	29162-93J10	WASHER, TRANSOM BOLT LOCK	2	
19	45420-89L00	PIN, TILT LOCK	1	
20	45425-94J00	STOPPER, TILT LOCK PIN	1	
21	09441-17001	SPRING	1	
22	09160-08170	WASHER (8.5X16X2)	2	
23	45269-89L00	MARK, REVERSE LOCK	1	
24	69911-91J40	MARK, CLAMP BRACKET	1	
25	41210-99JL1	SCREW SET, CLAMP	1	OPT

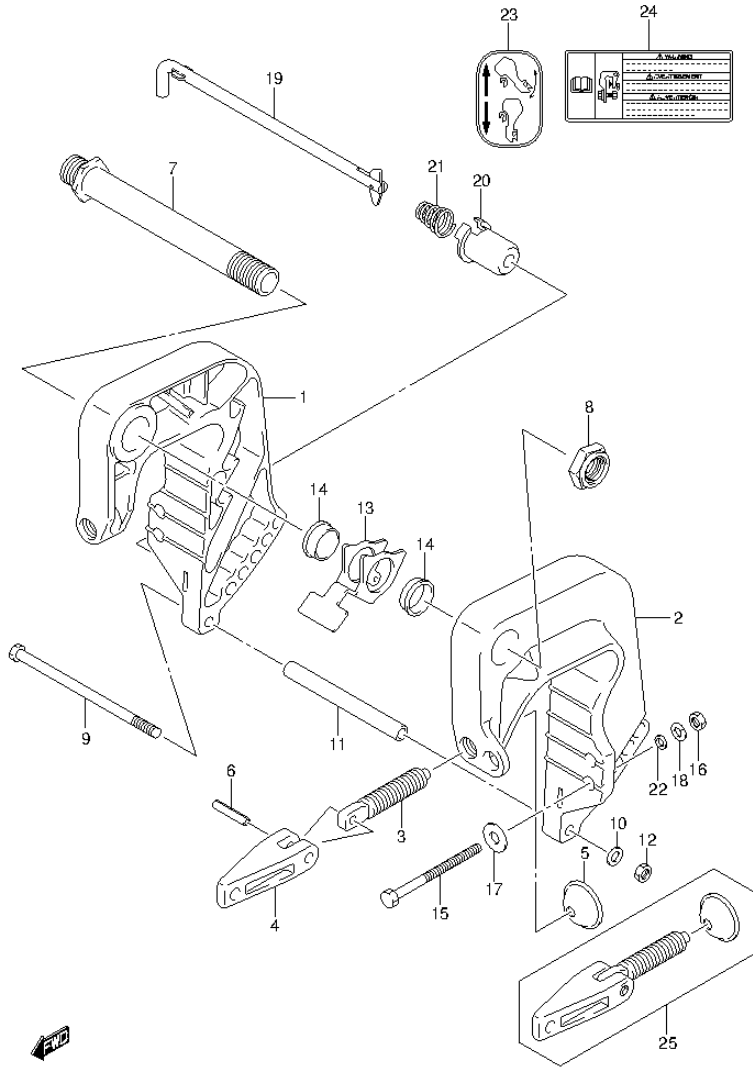


FIG.142

FIG.142 (1-L-15) CLAMP BRACKET (DF20A P40)

REF NO.	PART NO.	DESCRIPTION	Q'TY	REMARKS
1	41111-89L00-OEP	BRACKET, CLAMP STBD (BLACK)	1	
2	41121-89L00-OEP	BRACKET, CLAMP PORT (BLACK)	1	
3	41211-99JL0	SCREW, CLAMP	2	
4	41212-91J00	HANDLE, CLAMP	2	
5	41213-98100	PLATE, CLAMP	2	
6	09205-06007	SPRING PIN (6X25)	2	
7	41130-90L00	SHAFT, CLAMP BRACKET	1	
8	09159-22006	NUT	1	
9	09100-06178	BOLT (6X150)	1	
10	09160-06082	WASHER (6.5X13X1.0)	1	
11	09180-06366	SPACER (6.5X10.5X114)	1	
12	29141-93J00	NUT, CLAMP BRKT LOWER (M6)	1	
13	45261-89L00	LEVER, RELEASE	1	
14	09306-22006	BUSH (22.6X27X8)	2	
15	09100-08311	BOLT (8X90)	2	
16	09140-08023-XC0	NUT	2	
17	09160-08081	WASHER (8.5X23X1.5)	2	
18	29162-93J10	WASHER, TRANSOM BOLT LOCK	2	
19	45420-89L00	PIN, TILT LOCK	1	
20	45425-94J00	STOPPER, TILT LOCK PIN	1	
21	09441-17001	SPRING	1	
22	09160-08170	WASHER (8.5X16X2)	2	
23	45269-89L00	MARK, REVERSE LOCK	1	
24	69911-91J00	MARK, CLAMP BRACKET	1	
25	41210-99JL1	SCREW SET, CLAMP	1	OPT

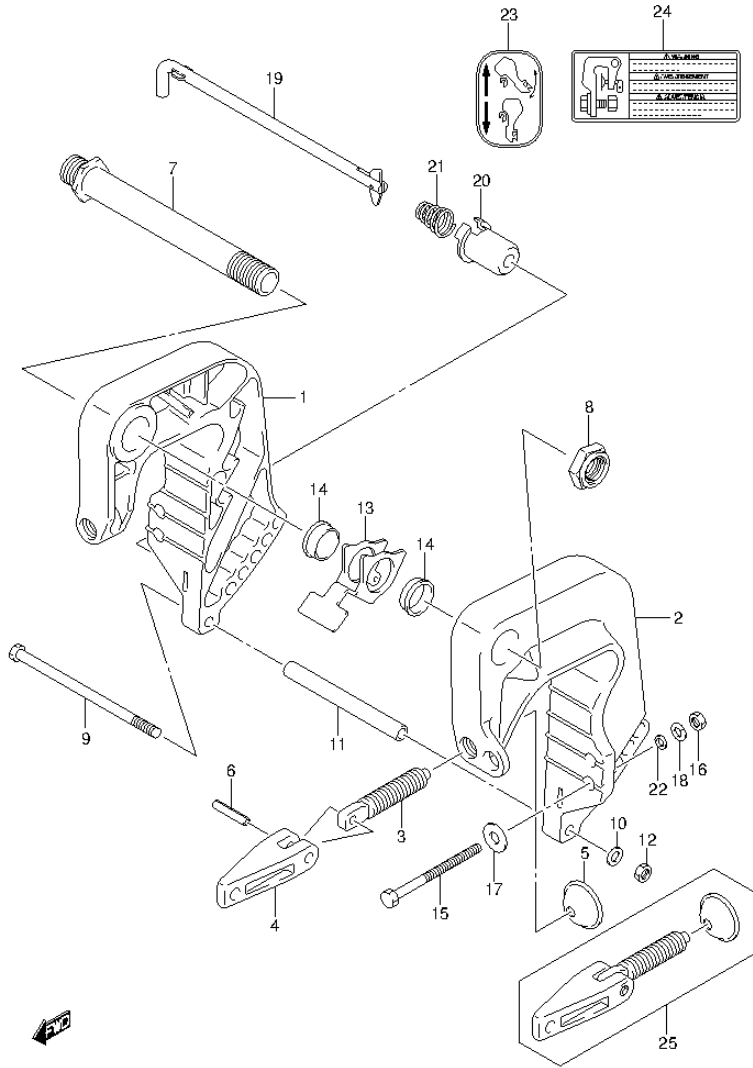


FIG.143

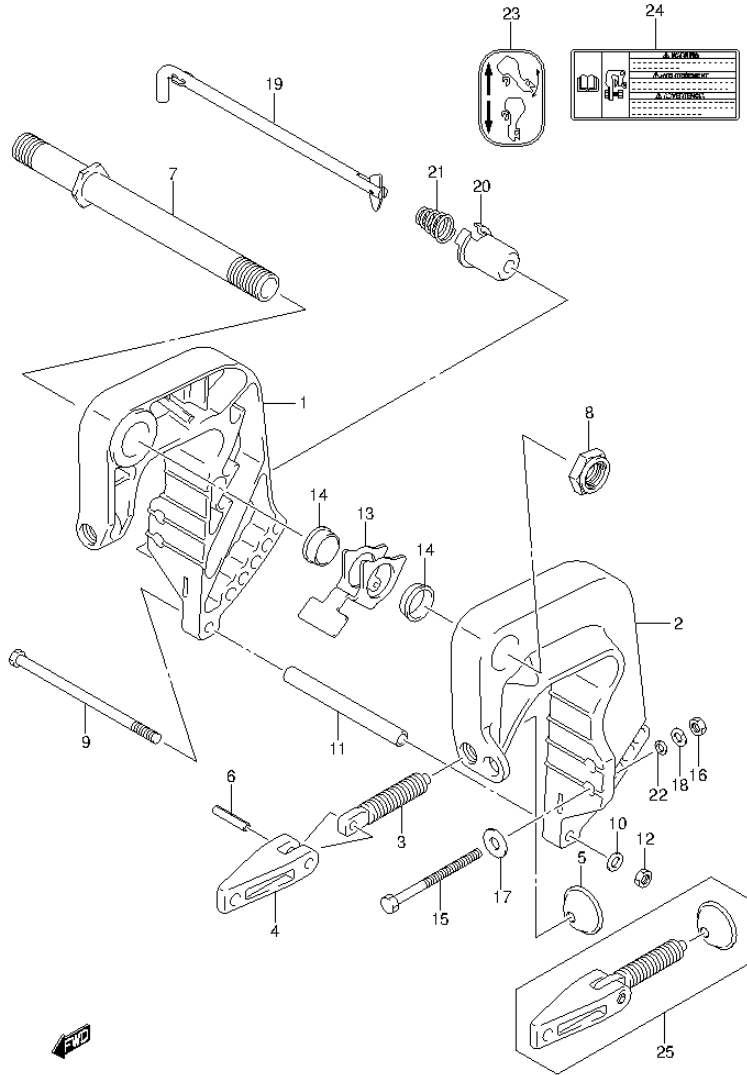


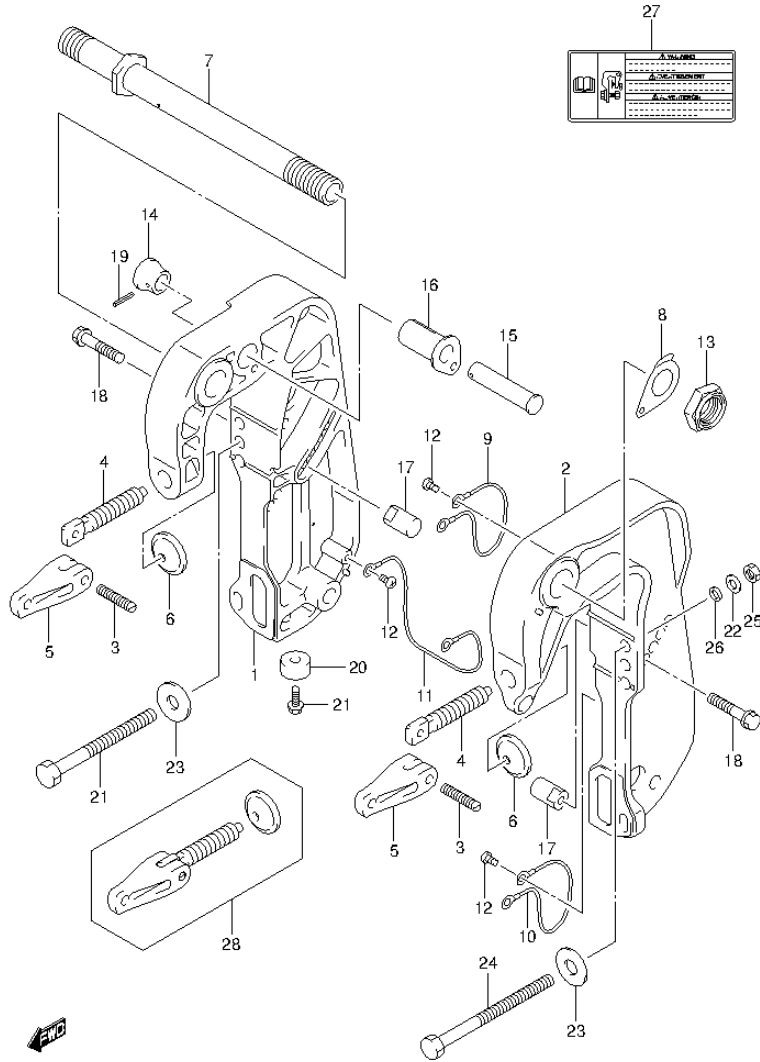
FIG.143 (2-B-2) CLAMP BRACKET (DF20AR P01)

REF NO.	PART NO.	DESCRIPTION	Q'TY	REMARKS
1	41111-89L00-OEP	BRACKET, CLAMP STBD (BLACK)	1	
2	41121-89L00-OEP	BRACKET, CLAMP PORT (BLACK)	1	
3	41211-99JL0	SCREW, CLAMP	2	
4	41212-91J00	HANDLE, CLAMP	2	
5	41213-98100	PLATE, CLAMP	2	
6	09205-06007	SPRING PIN (6X25)	2	
7	41130-89L00	SHAFT, CLAMP BRACKET	1	
8	09159-22006	NUT	1	
9	09100-06178	BOLT (6X150)	1	
10	09160-06082	WASHER (6.5X13X1.0)	1	
11	09180-06366	SPACER (6.5X10.5X114)	1	
12	29141-93J00	NUT, CLAMP BRKT LOWER (M6)	1	
13	45261-89L00	LEVER, RELEASE	1	
14	09306-22006	BUSH (22.6X27X8)	2	
15	09100-08311	BOLT (8X90)	2	
16	09140-08023-XC0	NUT	2	
17	09160-08081	WASHER (8.5X23X1.5)	2	
18	29162-93J10	WASHER, TRANSOM BOLT LOCK	2	
19	45420-89L00	PIN, TILT LOCK	1	
20	45425-94J00	STOPPER, TILT LOCK PIN	1	
21	09441-17001	SPRING	1	
22	09160-08170	WASHER (8.5X16X2)	2	
23	45269-89L00	MARK, REVERSE LOCK	1	
24	69911-91J40	MARK, CLAMP BRACKET	1	
25	41210-99JL1	SCREW SET, CLAMP	1	OPT



FIG.144

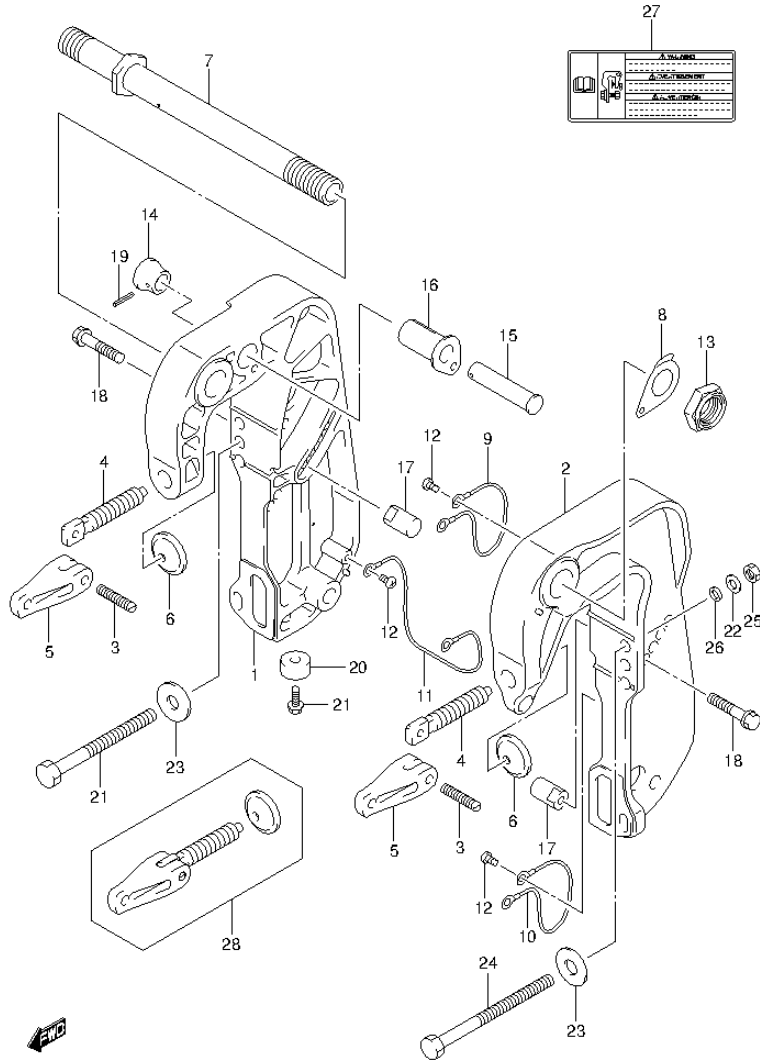
FIG.144 (2-B-3) CLAMP BRACKET (DF20AT P01)



REF NO.	PART NO.	DESCRIPTION	Q'TY	REMARKS
1	41111-89LA0-OEP	BRACKET, CLAMP STBD (BLACK)	1	
2	41121-89LA0-OEP	BRACKET, CLAMP PORT (BLACK)	1	
3	09205-06007	SPRING PIN (6X25)	2	
4	41211-95J00	SCREW, CLAMP	2	
5	41212-91J00	HANDLE, CLAMP	2	
6	41213-98100	PLATE, CLAMP	2	
7	41130-94JA1	SHAFT, CLAMP BRKT	1	
8	41135-93J11	WASHER, CLAMP BRKT SHAFT	1	
9	36894-87D00	LEAD, SWIVEL TO CLAMP	1	
10	36894-87D00	LEAD, PWR TILT TO CLAMP PORT	1	
11	36895-87D01	LEAD, PWR TILT TO CLAMP STBD	1	
12	09125-06063	SCREW (6X10)	5	
13	09159-22006	NUT	1	
14	41221-94JA0	KNOB, TILT STOPPER	1	
15	41222-94JA0	PIN, TILT STOPPER	1	
16	41226-94JA0	BUSH, TILT STOPPER	1	
17	45421-94JA0	PIN, TILT LOCK	2	
18	09116-08128	BOLT (8X40)	2	
19	09205-03004	SPRING PIN (3X20)	1	
20-1	55321-87J00	ANODE, PROTECTION	2	
20-2	55321-87J10	ANODE(MAGNESIUM)	1	OPT
21	09103-06281	BOLT (6X14)	2	
22	29162-93J10	WASHER, TRANSOM BOLT LOCK	2	
23	09160-08081	WASHER (8.5X23X1.5)	2	
24	09100-08311	BOLT (8X90)	2	
25	09140-08023-XC0	NUT	2	
26	09160-08170	WASHER (8.5X16X2)	2	
27	69911-91J40	MARK, CLAMP BRACKET	1	
28	41210-89LA0	SCREW SET, CLAMP	1	OPT

FIG.145

FIG.145 (2-B-4) CLAMP BRACKET (DF20ATH P01)



REF NO.	PART NO.	DESCRIPTION	Q'TY	REMARKS
1	41111-89LA0-OEP	BRACKET, CLAMP STBD (BLACK)	1	
2	41121-89LA0-OEP	BRACKET, CLAMP PORT (BLACK)	1	
3	09205-06007	SPRING PIN (6X25)	2	
4	41211-95J00	SCREW, CLAMP	2	
5	41212-91J00	HANDLE, CLAMP	2	
6	41213-98100	PLATE, CLAMP	2	
7	41130-94JA1	SHAFT, CLAMP BRKT	1	
8	41135-93J11	WASHER, CLAMP BRKT SHAFT	1	
9	36894-87D00	LEAD, SWIVEL TO CLAMP	1	
10	36894-87D00	LEAD, PWR TILT TO CLAMP PORT	1	
11	36895-87D01	LEAD, PWR TILT TO CLAMP STBD	1	
12	09125-06063	SCREW (6X10)	5	
13	09159-22006	NUT	1	
14	41221-94JA0	KNOB, TILT STOPPER	1	
15	41222-94JA0	PIN, TILT STOPPER	1	
16	41226-94JA0	BUSH, TILT STOPPER	1	
17	45421-94JA0	PIN, TILT LOCK	2	
18	09116-08128	BOLT (8X40)	2	
19	09205-03004	SPRING PIN (3X20)	1	
20-1	55321-87J00	ANODE, PROTECTION	2	
20-2	55321-87J10	ANODE(MAGNESIUM)	1	OPT
21	09103-06281	BOLT (6X14)	2	
22	29162-93J10	WASHER, TRANSOM BOLT LOCK	2	
23	09160-08081	WASHER (8.5X23X1.5)	2	
24	09100-08311	BOLT (8X90)	2	
25	09140-08023-XC0	NUT	2	
26	09160-08170	WASHER (8.5X16X2)	2	
27	69911-91J40	MARK, CLAMP BRACKET	1	
28	41210-89LA0	SCREW SET, CLAMP	1	OPT

FIG.146

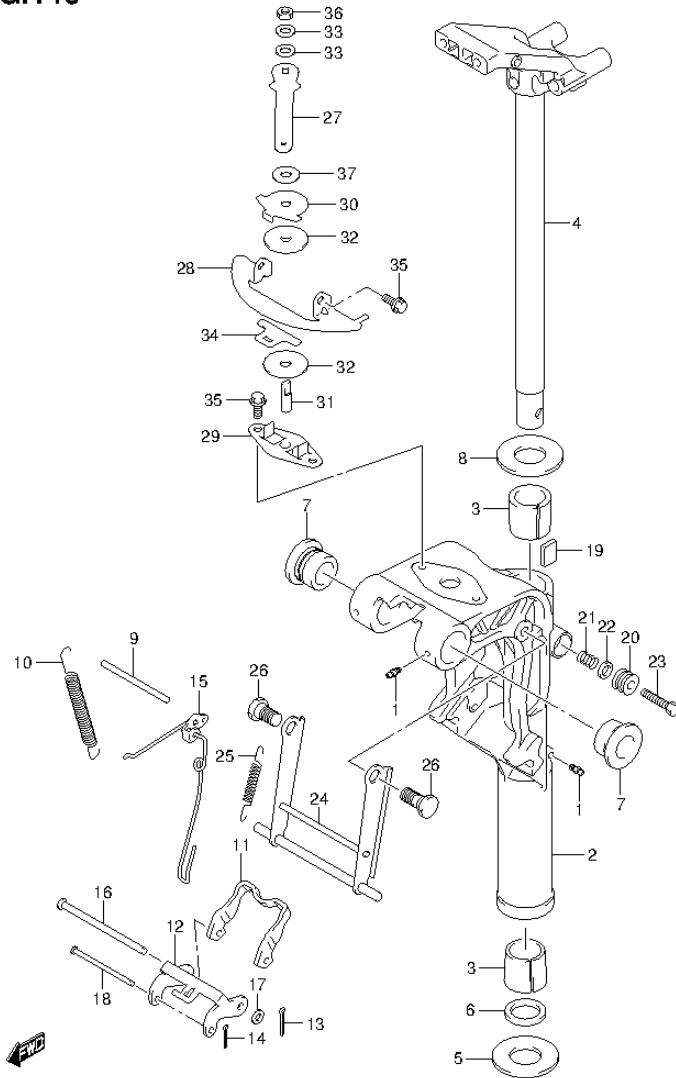


FIG.146 (2-B-5) SWIVEL BRACKET (DF9.9B P01)

REF NO.	PART NO.	DESCRIPTION	Q'TY	REMARKS
1	22511-99011	NIPPLE	3	
2-1	43111-89L00-0EP	BRACKET, SWIVEL (S) (BLACK)	1	W/TRANSOM(S)
2-2	43111-89L10-0EP	BRACKET, SWIVEL (L) (BLACK)	1	W/TRANSOM(L)
3	43711-99J00	BUSH, STEERING	2	
4-1	43750-99J40-0EP	BRACKET, STEERING (S) (BLACK)	1	W/TRANSOM(S)
4-2	43750-99J50-0EP	BRACKET, STEERING (L) (BLACK)	1	W/TRANSOM(L)
5	09160-27013	WASHER	1	
6	09282-27002	OIL SEAL (26X39X5)	1	
7	43211-87JL0	BUSH, SWIVEL BRACKET	2	
8	09160-27012	WASHER (27.5X47X1)	1	
9	41225-89L00	PIN, RELEASE ARM	1	
10	45212-89L00	SPRING, REVERSE LOCK ARM	2	
11	45231-89L00	ARM, REVERSE LOCK	1	
12	45241-89L00	LINK, REVERSE LOCK ARM	1	
13	09204-01002	PIN	1	
14	45247-99J00	PIN, REV LOCK ARM COTTER	1	
15	45250-89L02	LINK, RELEASE	1	
16	09200-06061	PIN	1	
17	09160-06082	WASHER (6.5X13X1.0)	1	
18	09200-05014	PIN	1	
19	43411-939L0	PLATE, STEERING ADJUSTER	1	
20	43412-93900	COVER, STEERING ADJUSTER	1	
21	29440-93J00	SPRING, STEERING ADJUSTER	1	
22	09160-08082	WASHER (8.5X16X1.2)	1	
23	09100-08232	BOLT (8X30)	1	
24	45710-89L00	ARM, SHALLOW DRIVE	1	
25	45722-94J11	SPRING, ARM	1	
26	09111-10067	BOLT (10X20.4)	2	
27	43411-89L00	LEVER, STEERING ADJUSTER	1	
28	43415-89L00	PLATE, STEERING ADJUSTER(H)	1	
29	43420-89L00	PLATE, STRG ADJ FRICTION	1	
30	43425-89L00	PLATE, STRG ADJ UPPER	1	
31	43512-89L00	SHAFT, STRG ADJ THREAD(H)	1	
32	43515-88L00	WASHER, STRG ADJ FRICTIONPLATE	2	

FIG.146

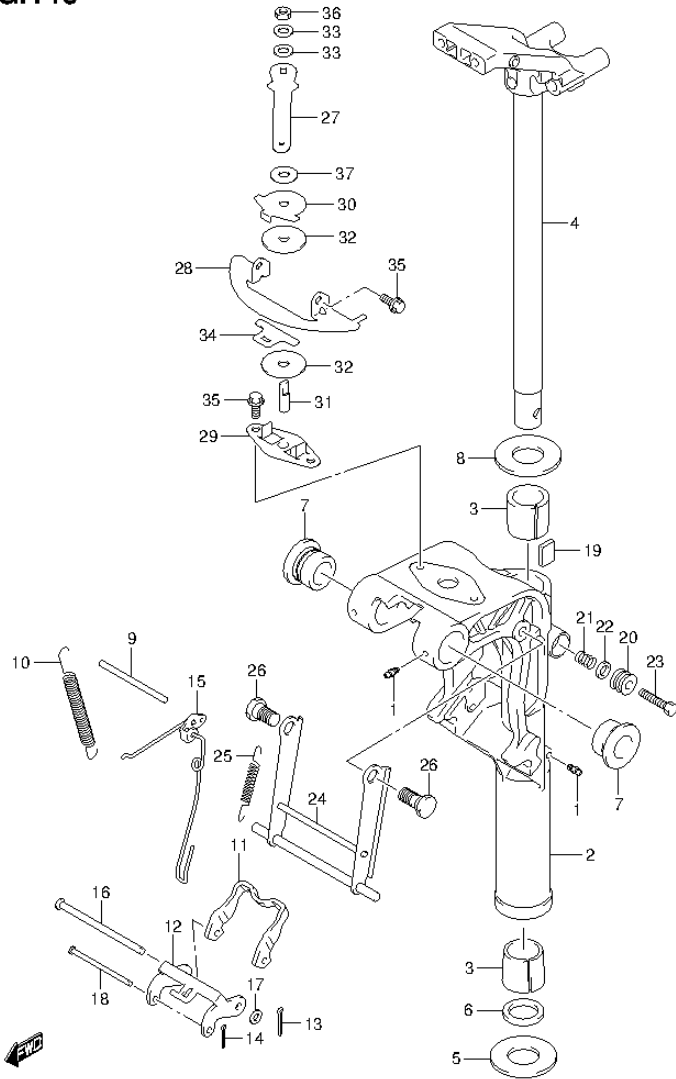


FIG.146 (2-B-6) SWIVEL BRACKET (DF9.9B P01)

REF NO.	PART NO.	DESCRIPTION	Q'TY	REMARKS
33	43516-89J00	WASHER, STEERING ADJUSTER	2	
34	43517-89L00	SPACER, STEERING ADJUSTER	1	
35	09116-06225	BOLT (6X15)	4	
36	09159-08L02	NUT	1	
37	09161-08019	WASHER (8.2X18X1.2)	1	

FIG.147

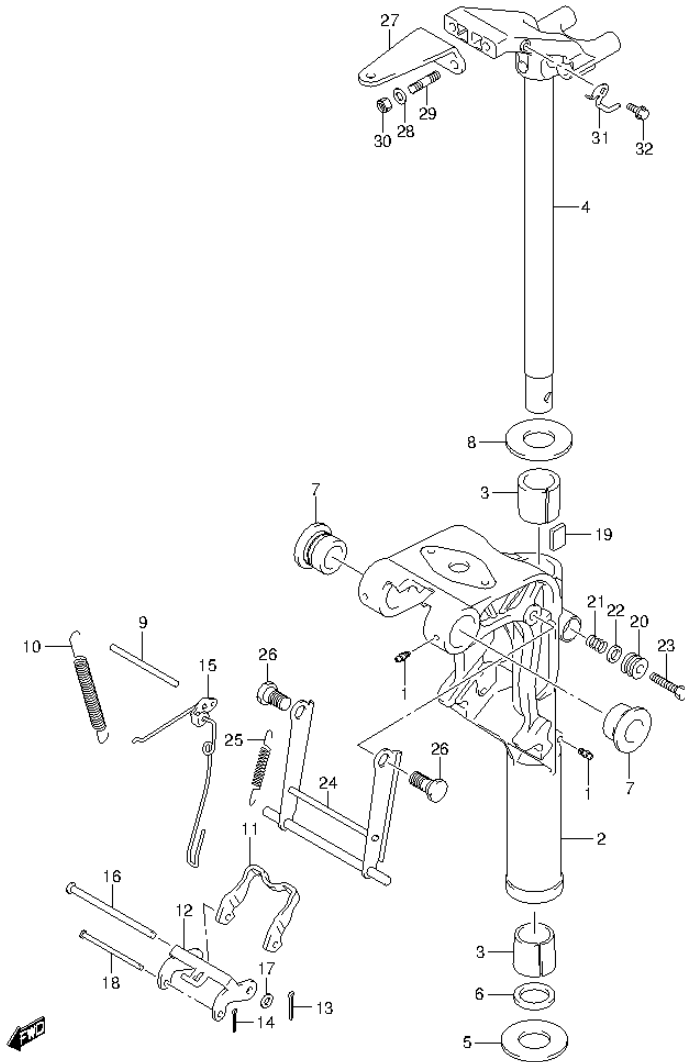


FIG.147 (2-B-7) SWIVEL BRACKET (DF9.9BR P01)

REF NO.	PART NO.	DESCRIPTION	Q'TY	REMARKS
1	22511-99011	NIPPLE	3	
2-1	43111-89L00-0EP	BRACKET, SWIVEL (S) (BLACK)	1	W/TRANSOM(S)
2-2	43111-89L10-0EP	BRACKET, SWIVEL (L) (BLACK)	1	W/TRANSOM(L)
3	43711-99J00	BUSH, STEERING	2	
4-1	43750-99J40-0EP	BRACKET, STEERING (S) (BLACK)	1	W/TRANSOM(S)
4-2	43750-99J50-0EP	BRACKET, STEERING (L) (BLACK)	1	W/TRANSOM(L)
5	09160-27013	WASHER	1	
6	09282-27002	OIL SEAL (26X39X5)	1	
7	43211-87JL0	BUSH, SWIVEL BRACKET	2	
8	09160-27012	WASHER (27.5X47X1)	1	
9	41225-89L00	PIN, RELEASE ARM	1	
10	45212-89L00	SPRING, REVERSE LOCK ARM	2	
11	45231-89L00	ARM, REVERSE LOCK	1	
12	45241-89L00	LINK, REVERSE LOCK ARM	1	
13	09204-01002	PIN	1	
14	45247-99J00	PIN, REV LOCK ARM COTTER	1	
15	45250-89L02	LINK, RELEASE	1	
16	09200-06061	PIN	1	
17	09160-06082	WASHER (6.5X13X1.0)	1	
18	09200-05014	PIN	1	
19	43411-939L0	PLATE, STEERING ADJUSTER	1	
20	43412-93900	COVER, STEERING ADJUSTER	1	
21	29440-93J00	SPRING, STEERING ADJUSTER	1	
22	09160-08082	WASHER (8.5X16X1.2)	1	
23	09100-08232	BOLT (8X30)	1	
24	45710-89L00	ARM, SHALLOW DRIVE	1	
25	45722-94J11	SPRING, ARM	1	
26	09111-10067	BOLT (10X20.4)	2	
27	43755-99J00	ATTACHMENT, STEERING BRACKET	1	
28	09160-08082	WASHER (8.5X16X1.2)	2	
29	09108-08286	STUD BOLT	2	
30	09159-08059	NUT	2	
31	43759-89L00	HOLDER, DRAIN HOSE	1	
32	09116-06225	BOLT (6X15)	1	

FIG.148

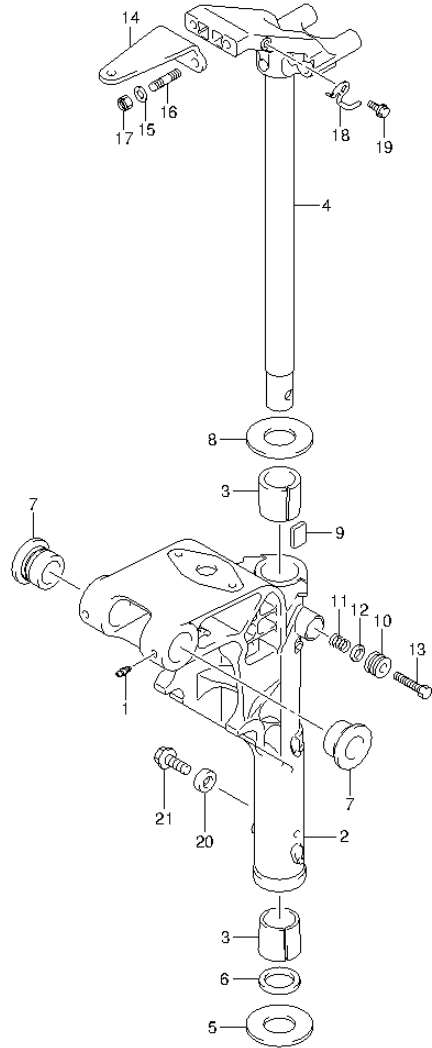


FIG.148 (2-B-8) SWIVEL BRACKET (DF9.9BT P01)

REF NO.	PART NO.	DESCRIPTION	Q'TY	REMARKS
1-1	22511-99011	NIPPLE	3	W/TRANSOM(S)
1-2	22511-99011	NIPPLE	4	W/TRANSOM(L)
2-1	43111-89LB0-0EP	BRACKET, SWIVEL (S) (BLACK)	1	W/TRANSOM(S)
2-2	43111-89LA0-0EP	BRACKET, SWIVEL (L) (BLACK)	1	W/TRANSOM(L)
3	43711-94JA0	BUSH, STEERING	2	
4-1	43750-99J40-0EP	BRACKET, STEERING (S) (BLACK)	1	W/TRANSOM(S)
4-2	43750-99J50-0EP	BRACKET, STEERING (L) (BLACK)	1	W/TRANSOM(L)
5	09160-27013	WASHER	1	
6	09282-27002	OIL SEAL (26X39X5)	1	
7	43211-87JL0	BUSH, SWIVEL BRACKET	2	
8	09160-27012	WASHER (27.5X47X1)	1	
9	43411-939L0	PLATE, STEERING ADJUSTER	1	
10	43412-93900	COVER, STEERING ADJUSTER	1	
11	29440-93J00	SPRING, STEERING ADJUSTER	1	
12	09160-08082	WASHER (8.5X16X1.2)	1	
13	09100-08232	BOLT (8X30)	1	
14	43755-99J00	ATTACHMENT, STEERING BRACKET	1	
15	09160-08082	WASHER (8.5X16X1.2)	2	
16	09108-08286	STUD BOLT	2	
17	09159-08059	NUT	2	
18	43759-89L00	HOLDER, DRAIN HOSE	1	
19	09116-06225	BOLT (6X15)	1	
20-1	55321-87J00	ANODE, PROTECTION	1	W/TRANSOM(L)
20-2	55321-87J10	ANODE(MAGNESIUM)	1	OPT W/TRANSOM(L)
21	09103-06281	BOLT (6X14)	1	W/TRANSOM(L)

FIG.149

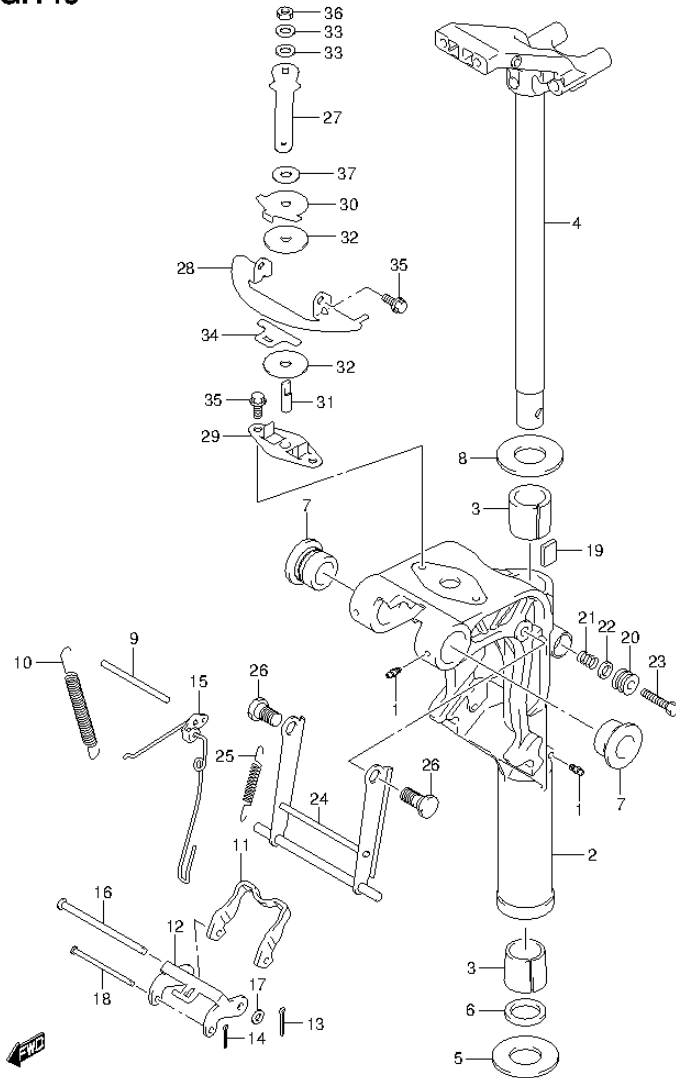
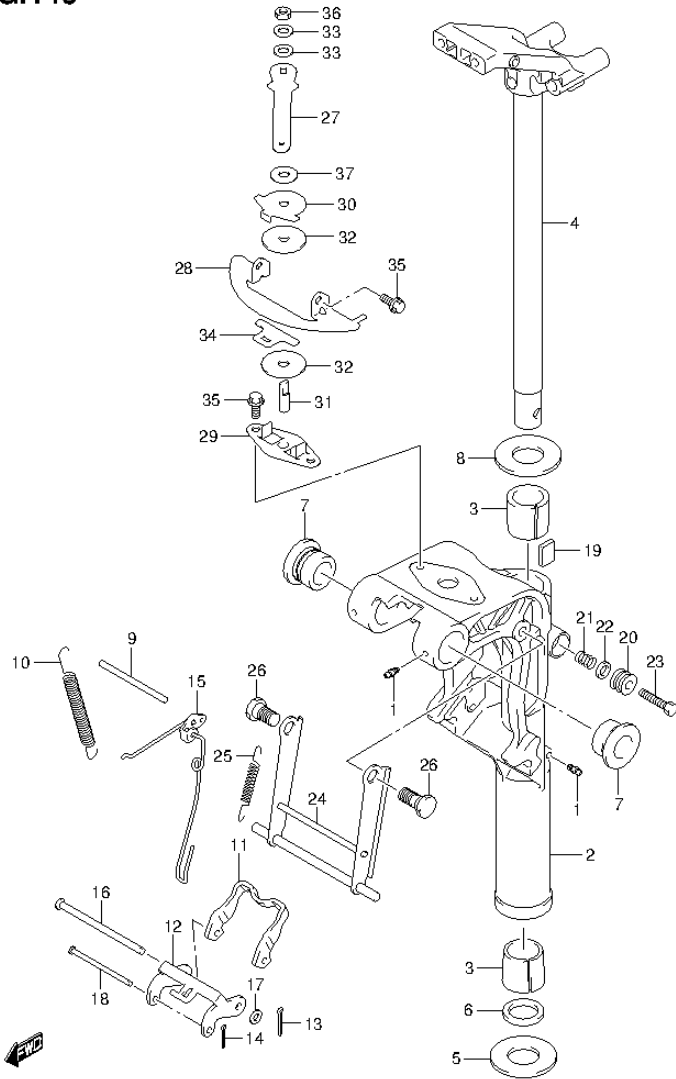


FIG.149 (2-B-9) SWIVEL BRACKET (DF15A P01)

REF NO.	PART NO.	DESCRIPTION	Q'TY	REMARKS
1	22511-99011	NIPPLE	3	
2-1	43111-89L00-0EP	BRACKET, SWIVEL (S) (BLACK)	1	W/TRANSOM(S)
2-2	43111-89L10-0EP	BRACKET, SWIVEL (L) (BLACK)	1	W/TRANSOM(L)
3	43711-99J00	BUSH, STEERING	2	
4-1	43750-99J40-0EP	BRACKET, STEERING (S) (BLACK)	1	W/TRANSOM(S)
4-2	43750-99J50-0EP	BRACKET, STEERING (L) (BLACK)	1	W/TRANSOM(L)
5	09160-27013	WASHER	1	
6	09282-27002	OIL SEAL (26X39X5)	1	
7	43211-87JL0	BUSH, SWIVEL BRACKET	2	
8	09160-27012	WASHER (27.5X47X1)	1	
9	41225-89L00	PIN, RELEASE ARM	1	
10	45212-89L00	SPRING, REVERSE LOCK ARM	2	
11	45231-89L00	ARM, REVERSE LOCK	1	
12	45241-89L00	LINK, REVERSE LOCK ARM	1	
13	09204-01002	PIN	1	
14	45247-99J00	PIN, REV LOCK ARM COTTER	1	
15	45250-89L02	LINK, RELEASE	1	
16	09200-06061	PIN	1	
17	09160-06082	WASHER (6.5X13X1.0)	1	
18	09200-05014	PIN	1	
19	43411-939L0	PLATE, STEERING ADJUSTER	1	
20	43412-93900	COVER, STEERING ADJUSTER	1	
21	29440-93J00	SPRING, STEERING ADJUSTER	1	
22	09160-08082	WASHER (8.5X16X1.2)	1	
23	09100-08232	BOLT (8X30)	1	
24	45710-89L00	ARM, SHALLOW DRIVE	1	
25	45722-94J11	SPRING, ARM	1	
26	09111-10067	BOLT (10X20.4)	2	
27	43411-89L00	LEVER, STEERING ADJUSTER	1	
28	43415-89L00	PLATE, STEERING ADJUSTER(H)	1	
29	43420-89L00	PLATE, STRG ADJ FRICTION	1	
30	43425-89L00	PLATE, STRG ADJ UPPER	1	
31	43512-89L00	SHAFT, STRG ADJ THREAD(H)	1	
32	43515-88L00	WASHER, STRG ADJ FRICTIONPLATE	2	

**FIG.149**



**FIG.149 (2-B-10) SWIVEL BRACKET (DF15A P01)**

REF NO.	PART NO.	DESCRIPTION	Q'TY	REMARKS
33	43516-89J00	WASHER, STEERING ADJUSTER	2	
34	43517-89L00	SPACER, STEERING ADJUSTER	1	
35	09116-06225	BOLT (6X15)	4	
36	09159-08L02	NUT	1	
37	09161-08019	WASHER (8.2X18X1.2)	1	



FIG.150

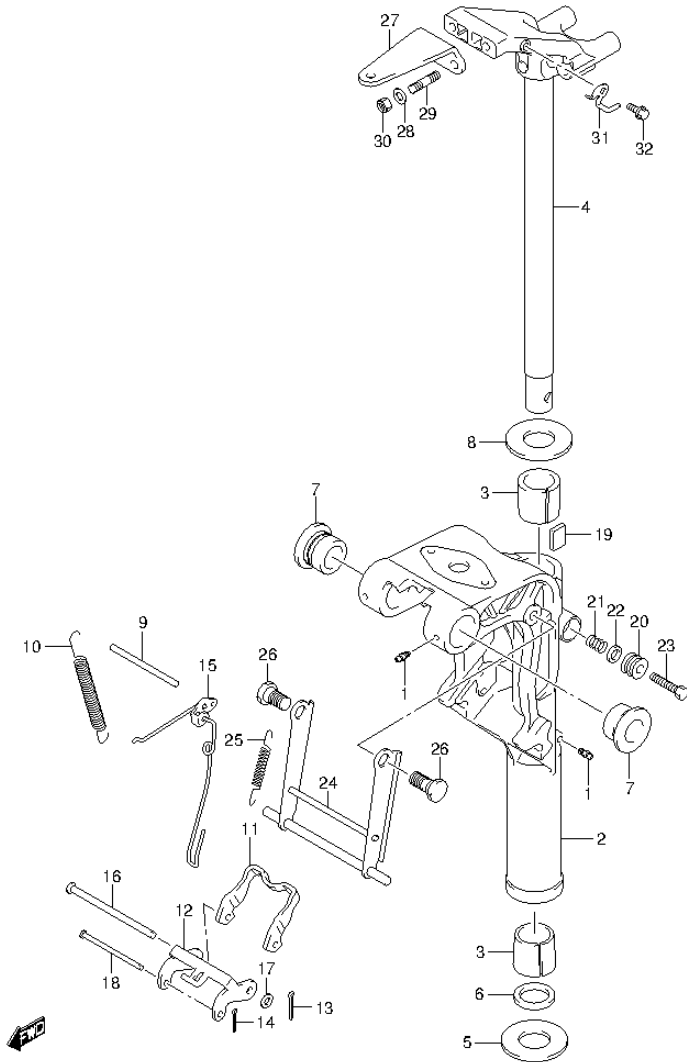


FIG.150 (2-B-11) SWIVEL BRACKET (DF15AR P01)

REF NO.	PART NO.	DESCRIPTION	Q'TY	REMARKS
1	22511-99011	NIPPLE	3	
2-1	43111-89L00-0EP	BRACKET, SWIVEL (S) (BLACK)	1	W/TRANSOM(S)
2-2	43111-89L10-0EP	BRACKET, SWIVEL (L) (BLACK)	1	W/TRANSOM(L)
3	43711-99J00	BUSH, STEERING	2	
4-1	43750-99J40-0EP	BRACKET, STEERING (S) (BLACK)	1	W/TRANSOM(S)
4-2	43750-99J50-0EP	BRACKET, STEERING (L) (BLACK)	1	W/TRANSOM(L)
5	09160-27013	WASHER	1	
6	09282-27002	OIL SEAL (26X39X5)	1	
7	43211-87JL0	BUSH, SWIVEL BRACKET	2	
8	09160-27012	WASHER (27.5X47X1)	1	
9	41225-89L00	PIN, RELEASE ARM	1	
10	45212-89L00	SPRING, REVERSE LOCK ARM	2	
11	45231-89L00	ARM, REVERSE LOCK	1	
12	45241-89L00	LINK, REVERSE LOCK ARM	1	
13	09204-01002	PIN	1	
14	45247-99J00	PIN, REV LOCK ARM COTTER	1	
15	45250-89L02	LINK, RELEASE	1	
16	09200-06061	PIN	1	
17	09160-06082	WASHER (6.5X13X1.0)	1	
18	09200-05014	PIN	1	
19	43411-939L0	PLATE, STEERING ADJUSTER	1	
20	43412-93900	COVER, STEERING ADJUSTER	1	
21	29440-93J00	SPRING, STEERING ADJUSTER	1	
22	09160-08082	WASHER (8.5X16X1.2)	1	
23	09100-08232	BOLT (8X30)	1	
24	45710-89L00	ARM, SHALLOW DRIVE	1	
25	45722-94J11	SPRING, ARM	1	
26	09111-10067	BOLT (10X20.4)	2	
27	43755-99J00	ATTACHMENT, STEERING BRACKET	1	
28	09160-08082	WASHER (8.5X16X1.2)	2	
29	09108-08286	STUD BOLT	2	
30	09159-08059	NUT	2	
31	43759-89L00	HOLDER, DRAIN HOSE	1	
32	09116-06225	BOLT (6X15)	1	

FIG.151

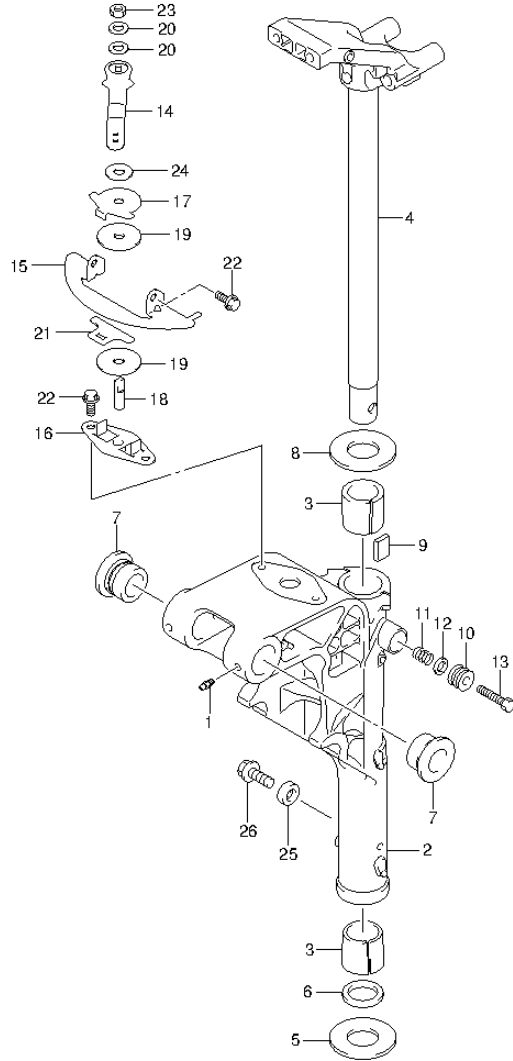


FIG.151 (2-B-12) SWIVEL BRACKET (DF15ATH P01)

REF NO.	PART NO.	DESCRIPTION	Q'TY	REMARKS
1-1	22511-99011	NIPPLE	3	W/TRANSOM(S)
1-2	22511-99011	NIPPLE	4	W/TRANSOM(L)
2-1	43111-89LB0-0EP	BRACKET, SWIVEL (S) (BLACK)	1	W/TRANSOM(S)
2-2	43111-89LA0-0EP	BRACKET, SWIVEL (L) (BLACK)	1	W/TRANSOM(L)
3	43711-94JA0	BUSH, STEERING	2	
4-1	43750-99J40-0EP	BRACKET, STEERING (S) (BLACK)	1	W/TRANSOM(S)
4-2	43750-99J50-0EP	BRACKET, STEERING (L) (BLACK)	1	W/TRANSOM(L)
5	09160-27013	WASHER	1	
6	09282-27002	OIL SEAL (26X39X5)	1	
7	43211-87JL0	BUSH, SWIVEL BRACKET	2	
8	09160-27012	WASHER (27.5X47X1)	1	
9	43411-939L0	PLATE, STRG ADJUSTER	1	
10	43412-93900	COVER, STEERING ADJUSTER	1	
11	29440-93J00	SPRING, STEERING ADJUSTER	1	
12	09160-08082	WASHER (8.5X16X1.2)	1	
13	09100-08232	BOLT (8X30)	1	
14	43411-89LA0	LEVER, STEERING ADJUSTER	1	
15	43415-89L00	PLATE, STEERING ADJUSTER(H)	1	
16	43420-89L00	PLATE, STRG ADJ FRICTION	1	
17	43425-89L00	PLATE, STRG ADJ UPPER	1	
18	43512-89L00	SHAFT, STRG ADJ THREAD(H)	1	
19	43515-88L00	WASHER, STRG ADJ FRICTIONPLATE	2	
20	43516-89J00	WASHER, STEERING ADJUSTER	2	
21	43517-89L00	SPACER, STEERING ADJUSTER	1	
22	09116-06225	BOLT (6X15)	4	
23	09159-08L02	NUT	1	
24	09161-08019	WASHER (8.2X18X1.2)	1	
25-1	55321-87J00	ANODE, PROTECTION	1	W/TRANSOM(L)
25-2	55321-87J10	ANODE(MAGNESIUM)	1	OPT
26	09103-06281	BOLT (6X14)	1	W/TRANSOM(L)

FIG.152

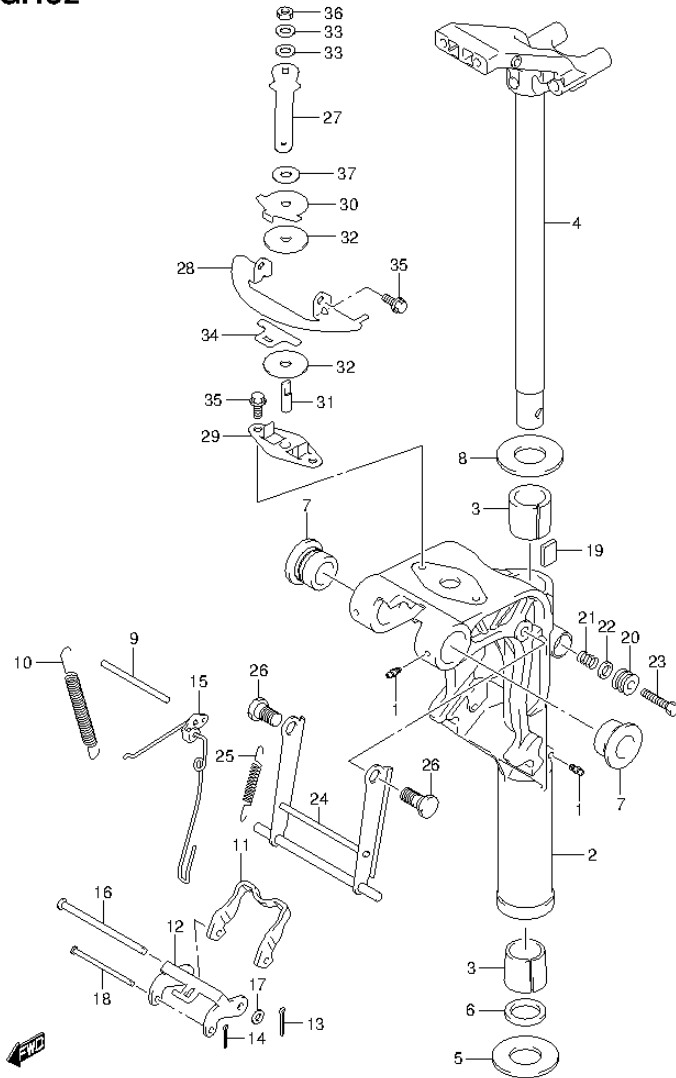


FIG.152 (2-B-13) SWIVEL BRACKET (DF20A P01)

REF NO.	PART NO.	DESCRIPTION	Q'TY	REMARKS
1	22511-99011	NIPPLE	3	
2-1	43111-89L00-0EP	BRACKET, SWIVEL (S) (BLACK)	1	W/TRANSOM(S)
2-2	43111-89L10-0EP	BRACKET, SWIVEL (L) (BLACK)	1	W/TRANSOM(L)
3	43711-99J00	BUSH, STEERING	2	
4-1	43750-99J40-0EP	BRACKET, STEERING (S) (BLACK)	1	W/TRANSOM(S)
4-2	43750-99J50-0EP	BRACKET, STEERING (L) (BLACK)	1	W/TRANSOM(L)
5	09160-27013	WASHER	1	
6	09282-27002	OIL SEAL (26X39X5)	1	
7	43211-87JL0	BUSH, SWIVEL BRACKET	2	
8	09160-27012	WASHER (27.5X47X1)	1	
9	41225-89L00	PIN, RELEASE ARM	1	
10	45212-89L00	SPRING, REVERSE LOCK ARM	2	
11	45231-89L00	ARM, REVERSE LOCK	1	
12	45241-89L00	LINK, REVERSE LOCK ARM	1	
13	09204-01002	PIN	1	
14	45247-99J00	PIN, REV LOCK ARM COTTER	1	
15	45250-89L02	LINK, RELEASE	1	
16	09200-06061	PIN	1	
17	09160-06082	WASHER (6.5X13X1.0)	1	
18	09200-05014	PIN	1	
19	43411-939L0	PLATE, STEERING ADJUSTER	1	
20	43412-93900	COVER, STEERING ADJUSTER	1	
21	29440-93J00	SPRING, STEERING ADJUSTER	1	
22	09160-08082	WASHER (8.5X16X1.2)	1	
23	09100-08232	BOLT (8X30)	1	
24	45710-89L00	ARM, SHALLOW DRIVE	1	
25	45722-94J11	SPRING, ARM	1	
26	09111-10067	BOLT (10X20.4)	2	
27	43411-89L00	LEVER, STEERING ADJUSTER	1	
28	43415-89L00	PLATE, STEERING ADJUSTER(H)	1	
29	43420-89L00	PLATE, STRG ADJ FRICTION	1	
30	43425-89L00	PLATE, STRG ADJ UPPER	1	
31	43512-89L00	SHAFT, STRG ADJ THREAD(H)	1	
32	43515-88L00	WASHER, STRG ADJ FRICTIONPLATE	2	

FIG.152

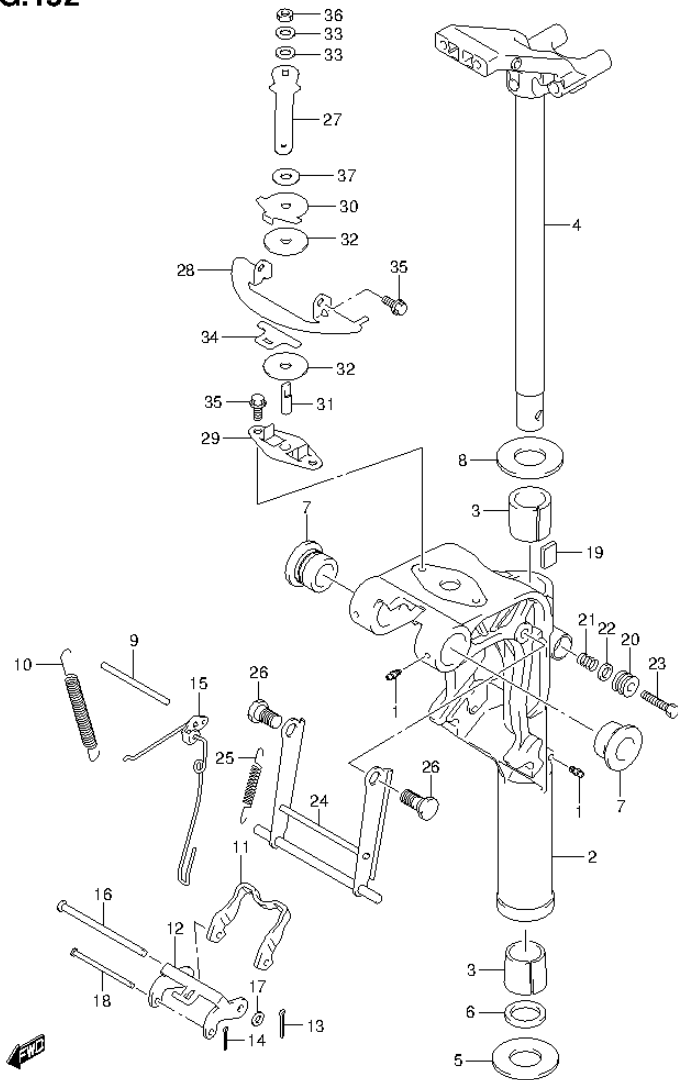


FIG.152 (2-B-14) SWIVEL BRACKET (DF20A P01)

REF NO.	PART NO.	DESCRIPTION	Q'TY	REMARKS
33	43516-89J00	WASHER, STEERING ADJUSTER	2	
34	43517-89L00	SPACER, STEERING ADJUSTER	1	
35	09116-06225	BOLT (6X15)	4	
36	09159-08L02	NUT	1	
37	09161-08019	WASHER (8.2X18X1.2)	1	

FIG.153

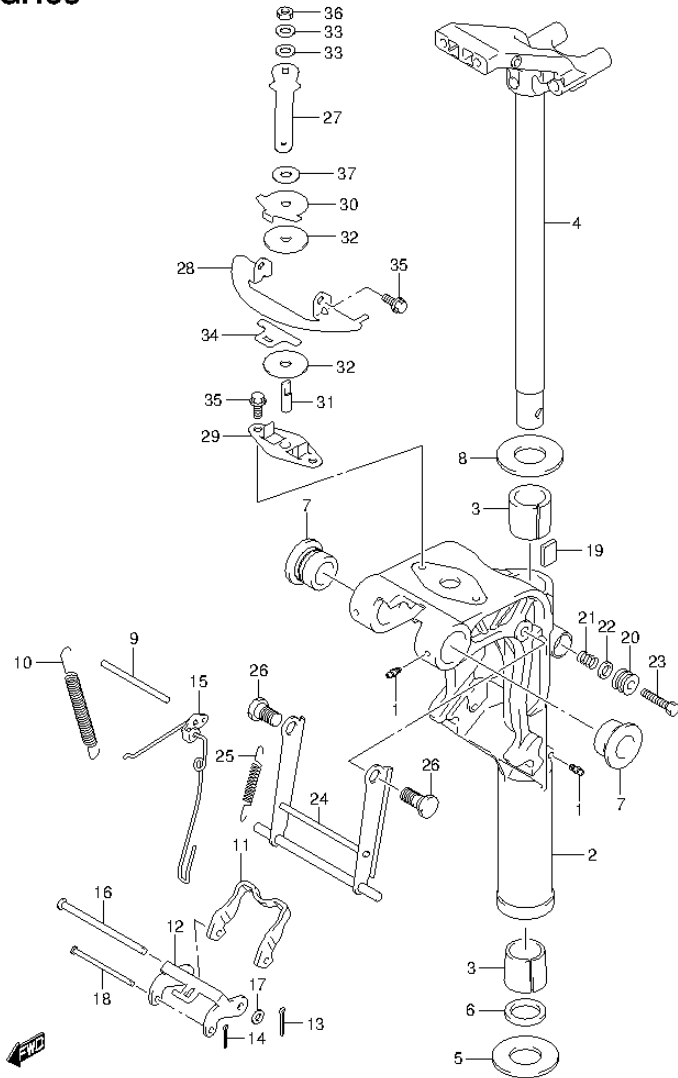
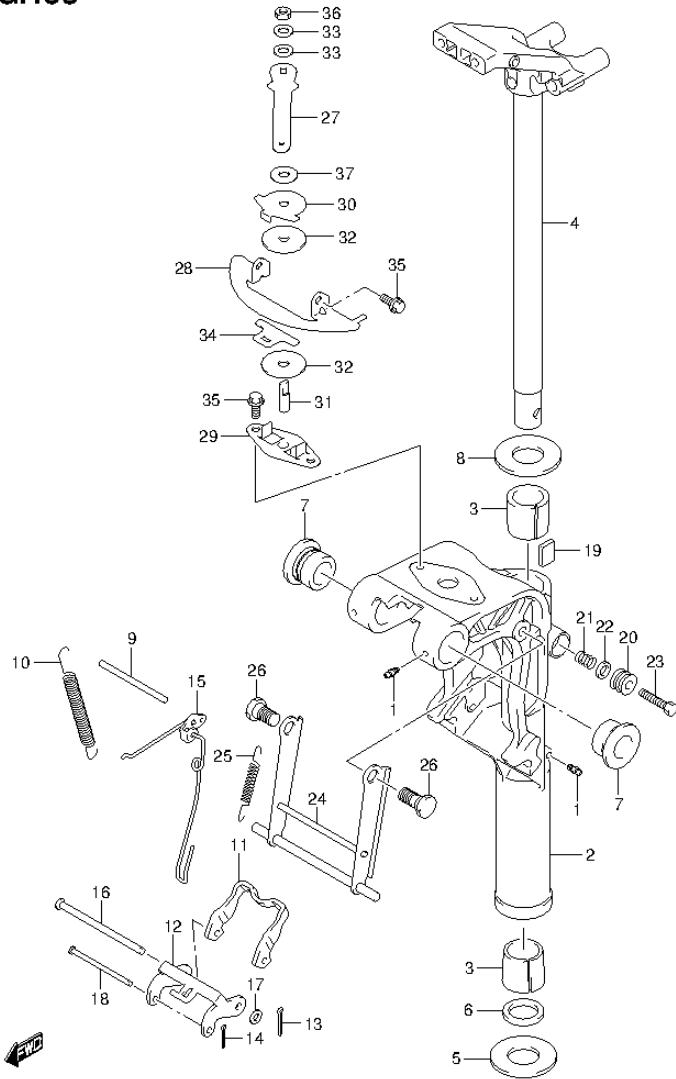


FIG.153 (2-B-15) SWIVEL BRACKET (DF20A P40)

REF NO.	PART NO.	DESCRIPTION	Q'TY	REMARKS
1	22511-99011	NIPPLE	3	
2-1	43111-89L00-0EP	BRACKET, SWIVEL (S) (BLACK)	1	W/TRANSOM(S)
2-2	43111-89L10-0EP	BRACKET, SWIVEL (L) (BLACK)	1	W/TRANSOM(L)
3	43711-99J00	BUSH, STEERING	2	
4-1	43750-99J40-0EP	BRACKET, STEERING (S) (BLACK)	1	W/TRANSOM(S)
4-2	43750-99J50-0EP	BRACKET, STEERING (L) (BLACK)	1	W/TRANSOM(L)
5	09160-27013	WASHER	1	
6	09282-27002	OIL SEAL (26X39X5)	1	
7	43211-87JL0	BUSH, SWIVEL BRACKET	2	
8	09160-27012	WASHER (27.5X47X1)	1	
9	41225-89L00	PIN, RELEASE ARM	1	
10	45212-89L00	SPRING, REVERSE LOCK ARM	2	
11	45231-89L00	ARM, REVERSE LOCK	1	
12	45241-89L00	LINK, REVERSE LOCK ARM	1	
13	09204-01002	PIN	1	
14	45247-99J00	PIN, REV LOCK ARM COTTER	1	
15	45250-89L02	LINK, RELEASE	1	
16	09200-06061	PIN	1	
17	09160-06082	WASHER (6.5X13X1.0)	1	
18	09200-05014	PIN	1	
19	43411-939L0	PLATE, STEERING ADJUSTER	1	
20	43412-93900	COVER, STEERING ADJUSTER	1	
21	29440-93J00	SPRING, STEERING ADJUSTER	1	
22	09160-08082	WASHER (8.5X16X1.2)	1	
23	09100-08232	BOLT (8X30)	1	
24	45710-89L00	ARM, SHALLOW DRIVE	1	
25	45722-94J11	SPRING, ARM	1	
26	09111-10067	BOLT (10X20.4)	2	
27	43411-89L00	LEVER, STEERING ADJUSTER	1	
28	43415-89L00	PLATE, STEERING ADJUSTER(H)	1	
29	43420-89L00	PLATE, STRG ADJ FRICTION	1	
30	43425-89L00	PLATE, STRG ADJ UPPER	1	
31	43512-89L00	SHAFT, STRG ADJ THREAD(H)	1	
32	43515-88L00	WASHER, STRG ADJ FRICTIONPLATE	2	

**FIG.153**



**FIG.153 (2-C-2) SWIVEL BRACKET (DF20A P40)**

REF NO.	PART NO.	DESCRIPTION	Q'TY	REMARKS
33	43516-89J00	WASHER, STEERING ADJUSTER	2	
34	43517-89L00	SPACER, STEERING ADJUSTER	1	
35	09116-06225	BOLT (6X15)	4	
36	09159-08L02	NUT	1	
37	09161-08019	WASHER (8.2X18X1.2)	1	

FIG.154

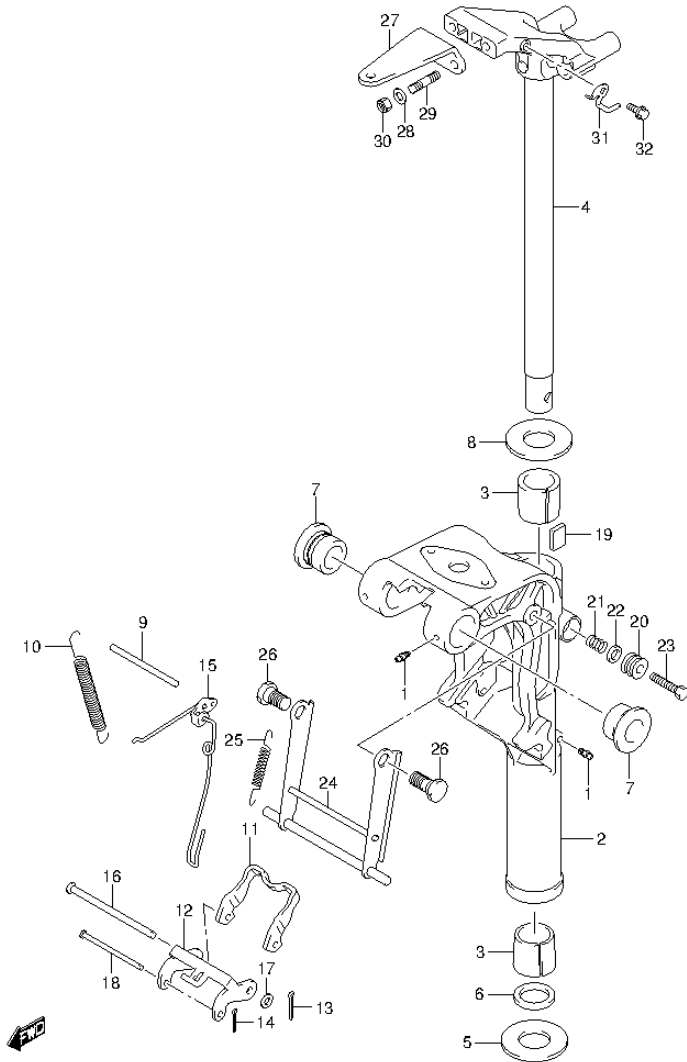


FIG.154 (2-C-3) SWIVEL BRACKET (DF20AR P01)

REF NO.	PART NO.	DESCRIPTION	Q'TY	REMARKS
1	22511-99011	NIPPLE	3	
2-1	43111-89L00-0EP	BRACKET, SWIVEL (S) (BLACK)	1	W/TRANSOM(S)
2-2	43111-89L10-0EP	BRACKET, SWIVEL (L) (BLACK)	1	W/TRANSOM(L)
3	43711-99J00	BUSH, STEERING	2	
4-1	43750-99J40-0EP	BRACKET, STEERING (S) (BLACK)	1	W/TRANSOM(S)
4-2	43750-99J50-0EP	BRACKET, STEERING (L) (BLACK)	1	W/TRANSOM(L)
5	09160-27013	WASHER	1	
6	09282-27002	OIL SEAL (26X39X5)	1	
7	43211-87JL0	BUSH, SWIVEL BRACKET	2	
8	09160-27012	WASHER (27.5X47X1)	1	
9	41225-89L00	PIN, RELEASE ARM	1	
10	45212-89L00	SPRING, REVERSE LOCK ARM	2	
11	45231-89L00	ARM, REVERSE LOCK	1	
12	45241-89L00	LINK, REVERSE LOCK ARM	1	
13	09204-01002	PIN	1	
14	45247-99J00	PIN, REV LOCK ARM COTTER	1	
15	45250-89L02	LINK, RELEASE	1	
16	09200-06061	PIN	1	
17	09160-06082	WASHER (6.5X13X1.0)	1	
18	09200-05014	PIN	1	
19	43411-939L0	PLATE, STEERING ADJUSTER	1	
20	43412-93900	COVER, STEERING ADJUSTER	1	
21	29440-93J00	SPRING, STEERING ADJUSTER	1	
22	09160-08082	WASHER (8.5X16X1.2)	1	
23	09100-08232	BOLT (8X30)	1	
24	45710-89L00	ARM, SHALLOW DRIVE	1	
25	45722-94J11	SPRING, ARM	1	
26	09111-10067	BOLT (10X20.4)	2	
27	43755-99J00	ATTACHMENT, STEERING BRACKET	1	
28	09160-08082	WASHER (8.5X16X1.2)	2	
29	09108-08286	STUD BOLT	2	
30	09159-08059	NUT	2	
31	43759-89L00	HOLDER, DRAIN HOSE	1	
32	09116-06225	BOLT (6X15)	1	

FIG.155

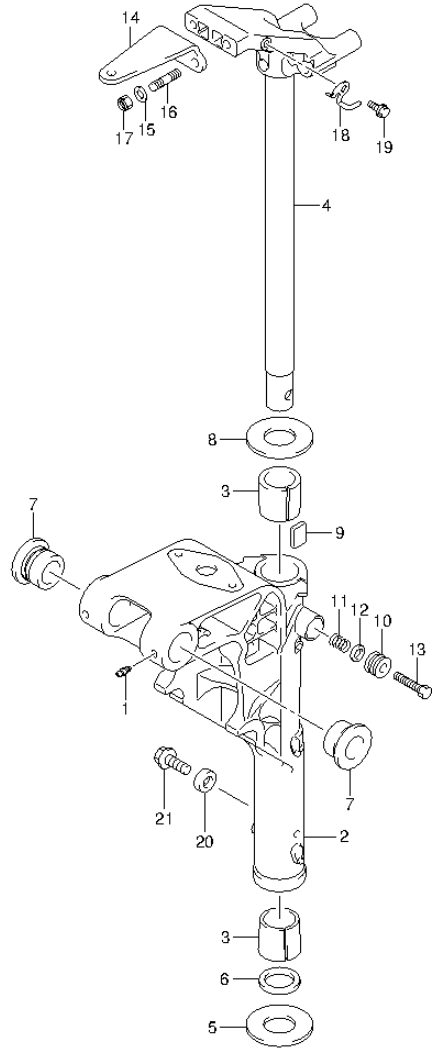


FIG.155 (2-C-4) SWIVEL BRACKET (DF20AT P01)

REF NO.	PART NO.	DESCRIPTION	Q'TY	REMARKS
1-1	22511-99011	NIPPLE	3	W/TRANSOM(S)
1-2	22511-99011	NIPPLE	4	W/TRANSOM(L)
2-1	43111-89LB0-0EP	BRACKET, SWIVEL (S) (BLACK)	1	W/TRANSOM(S)
2-2	43111-89LA0-0EP	BRACKET, SWIVEL (L) (BLACK)	1	W/TRANSOM(L)
3	43711-94JA0	BUSH, STEERING	2	
4-1	43750-99J40-0EP	BRACKET, STEERING (S) (BLACK)	1	W/TRANSOM(S)
4-2	43750-99J50-0EP	BRACKET, STEERING (L) (BLACK)	1	W/TRANSOM(L)
5	09160-27013	WASHER	1	
6	09282-27002	OIL SEAL (26X39X5)	1	
7	43211-87JL0	BUSH, SWIVEL BRACKET	2	
8	09160-27012	WASHER (27.5X47X1)	1	
9	43411-939L0	PLATE, STEERING ADJUSTER	1	
10	43412-93900	COVER, STEERING ADJUSTER	1	
11	29440-93J00	SPRING, STEERING ADJUSTER	1	
12	09160-08082	WASHER (8.5X16X1.2)	1	
13	09100-08232	BOLT (8X30)	1	
14	43755-99J00	ATTACHMENT, STEERING BRACKET	1	
15	09160-08082	WASHER (8.5X16X1.2)	2	
16	09108-08286	STUD BOLT	2	
17	09159-08059	NUT	2	
18	43759-89L00	HOLDER, DRAIN HOSE	1	
19	09116-06225	BOLT (6X15)	1	
20-1	55321-87J00	ANODE, PROTECTION	1	W/TRANSOM(L)
20-2	55321-87J10	ANODE(MAGNESIUM)	1	OPT W/TRANSOM(L)
21	09103-06281	BOLT (6X14)	1	W/TRANSOM(L)



FIG.156

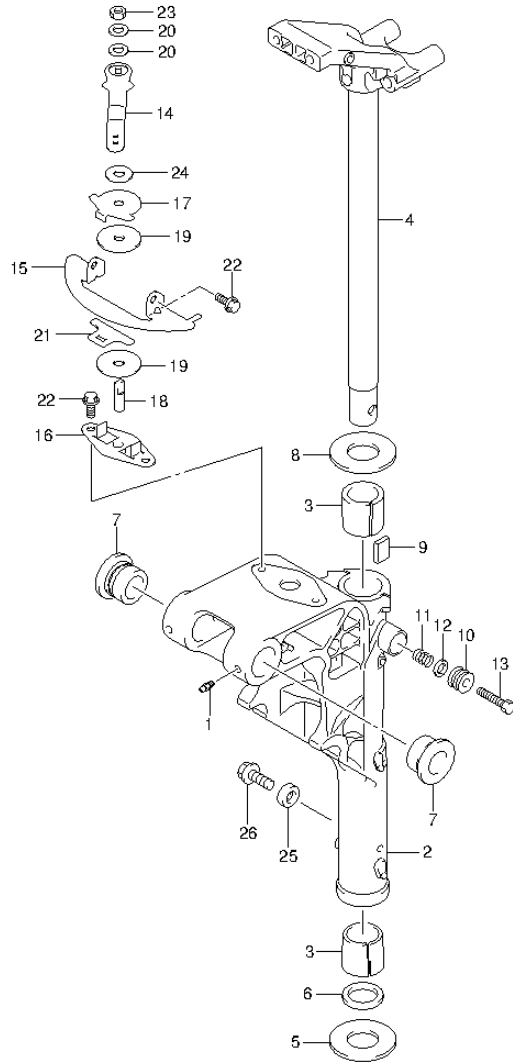


FIG.156 (2-C-5) SWIVEL BRACKET (DF20ATH P01)

REF NO.	PART NO.	DESCRIPTION	Q'TY	REMARKS
1-1	22511-99011	NIPPLE	3	W/TRANSOM(S)
1-2	22511-99011	NIPPLE	4	W/TRANSOM(L)
2-1	43111-89LB0-0EP	BRACKET, SWIVEL (S) (BLACK)	1	W/TRANSOM(S)
2-2	43111-89LA0-0EP	BRACKET, SWIVEL (L) (BLACK)	1	W/TRANSOM(L)
3	43711-94JA0	BUSH, STEERING	2	
4-1	43750-99J40-0EP	BRACKET, STEERING (S) (BLACK)	1	W/TRANSOM(S)
4-2	43750-99J50-0EP	BRACKET, STEERING (L) (BLACK)	1	W/TRANSOM(L)
5	09160-27013	WASHER	1	
6	09282-27002	OIL SEAL (26X39X5)	1	
7	43211-87JL0	BUSH, SWIVEL BRACKET	2	
8	09160-27012	WASHER (27.5X47X1)	1	
9	43411-939L0	PLATE, STRG ADJUSTER	1	
10	43412-93900	COVER, STEERING ADJUSTER	1	
11	29440-93J00	SPRING, STEERING ADJUSTER	1	
12	09160-08082	WASHER (8.5X16X1.2)	1	
13	09100-08232	BOLT (8X30)	1	
14	43411-89LA0	LEVER, STEERING ADJUSTER	1	
15	43415-89L00	PLATE, STEERING ADJUSTER(H)	1	
16	43420-89L00	PLATE, STRG ADJ FRICTION	1	
17	43425-89L00	PLATE, STRG ADJ UPPER	1	
18	43512-89L00	SHAFT, STRG ADJ THREAD(H)	1	
19	43515-88L00	WASHER, STRG ADJ FRICTIONPLATE	2	
20	43516-89J00	WASHER, STEERING ADJUSTER	2	
21	43517-89L00	SPACER, STEERING ADJUSTER	1	
22	09116-06225	BOLT (6X15)	4	
23	09159-08L02	NUT	1	
24	09161-08019	WASHER (8.2X18X1.2)	1	
25-1	55321-87J00	ANODE, PROTECTION	1	W/TRANSOM(L)
25-2	55321-87J10	ANODE(MAGNESIUM)	1	OPT
26	09103-06281	BOLT (6X14)	1	W/TRANSOM(L)



FIG.157

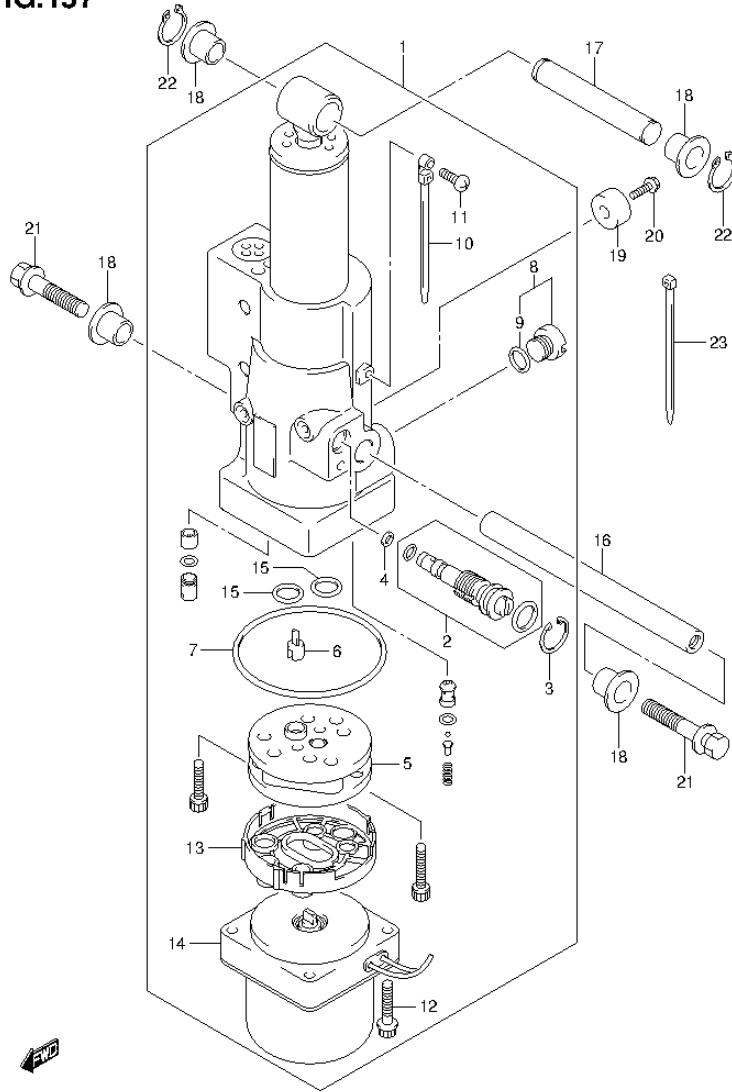


FIG.157 (2-C-6) TILT CYLINDER (DF9.9BT P01)

REF NO.	PART NO.	DESCRIPTION	Q'TY	REMARKS
1	48000-89LA0	POWER TILT ASSY	1	
2	48864-89LA0	.MANUAL VALVE	1	
3	48681-87J11	.CIRCLIP	1	
4	48553-88L00	.SEAL WASHER	1	
5	48510-94600	.PUMP ASSY, GEAR	1	
6	48583-95E00	.JOINT, DRIVE	1	
7	31123-89J10	.O RING	1	
8	48572-94J00	.CAP	1	
9	48664-87D00	.O RING	1	
10	31193-94J00	.BAND	1	
11	31192-94J01	.SCREW	1	
12	31281-94J01	.BOLT	2	
13	48582-97E00	.FILTER	1	
14	38100-89LA0	.MOTOR ASSY, PTT	1	
15	48664-87D00	.O RING	2	
16	48121-94JA0	SHAFT, TILT CYL LOWER	1	
17	48321-97E01	SHAFT, TILT CYL UPPER	1	
18	48325-97E00	BUSH	4	
19-1	55321-87J00	ANODE	1	
19-2	55321-87J10	ANODE(MAGNESIUM)	1	OPT
20	09103-06281	BOLT (6X14)	1	
21	09116-08150	BOLT (8X27)	2	
22	09380-12002	SNAP RING	2	
23	09407-14407	CLAMP (L:145)	3	

FIG.158

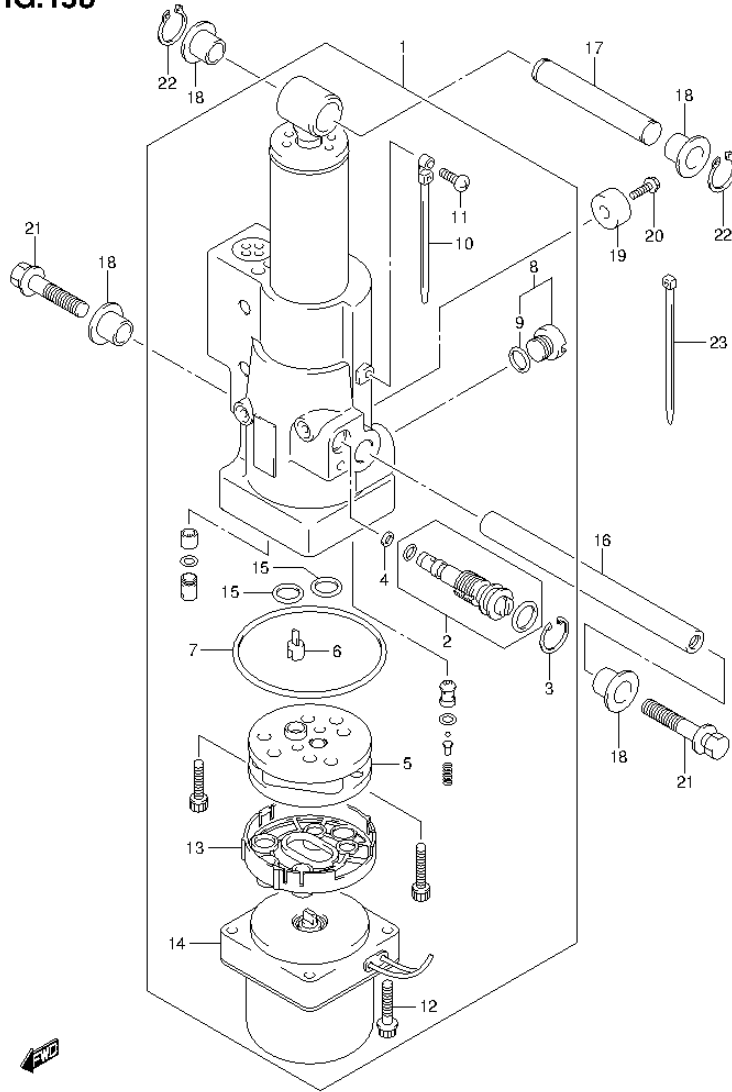


FIG.158 (2-C-7) TILT CYLINDER (DF15ATH P01)

REF NO.	PART NO.	DESCRIPTION	Q'TY	REMARKS
1	48000-89LA0	POWER TILT ASSY	1	
2	48864-89LA0	.MANUAL VALVE	1	
3	48681-87J11	.CIRCLIP	1	
4	48553-88L00	.SEAL WASHER	1	
5	48510-94600	.PUMP ASSY, GEAR	1	
6	48583-95E00	.JOINT, DRIVE	1	
7	31123-89J10	.O RING	1	
8	48572-94J00	.CAP	1	
9	48664-87D00	.O RING	1	
10	31193-94J00	.BAND	1	
11	31192-94J01	.SCREW	1	
12	31281-94J01	.BOLT	2	
13	48582-97E00	.FILTER	1	
14	38100-89LA0	.MOTOR ASSY, PTT	1	
15	48664-87D00	.O RING	2	
16	48121-94JA0	SHAFT, TILT CYL LOWER	1	
17	48321-97E01	SHAFT, TILT CYL UPPER	1	
18	48325-97E00	BUSH	4	
19-1	55321-87J00	ANODE	1	
19-2	55321-87J10	ANODE(MAGNESIUM)	1	OPT
20	09103-06281	BOLT (6X14)	1	
21	09116-08150	BOLT (8X27)	2	
22	09380-12002	SNAP RING	2	
23	09407-14407	CLAMP (L:145)	3	

FIG.159

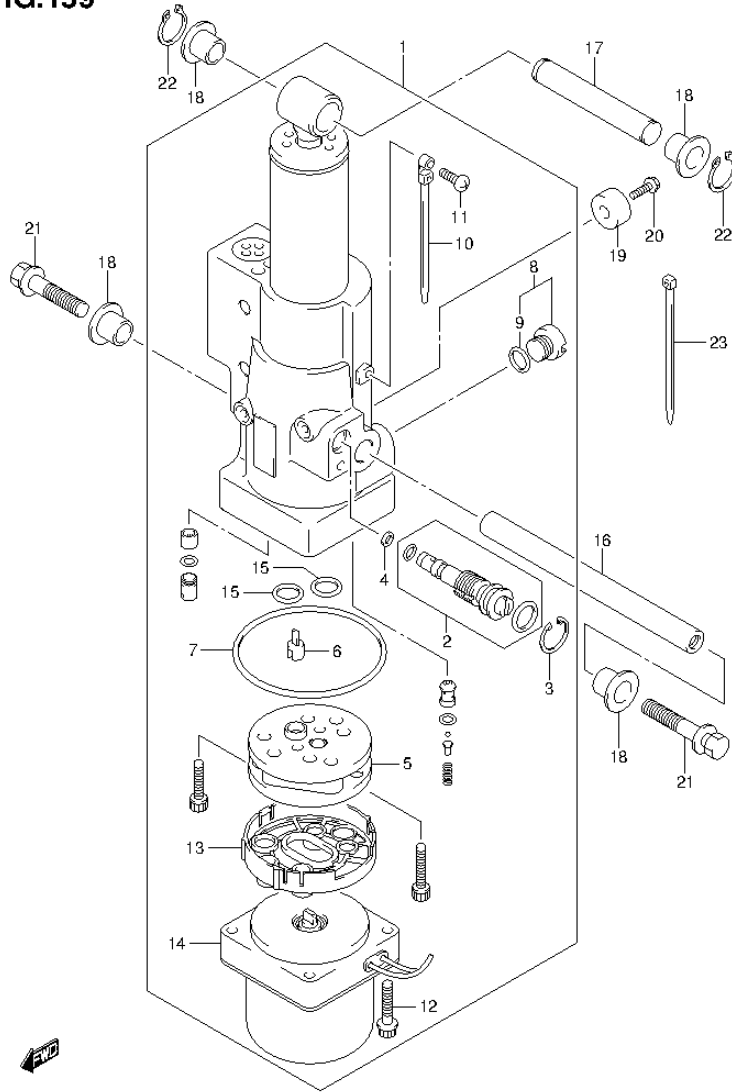


FIG.159 (2-C-8) TILT CYLINDER (DF20AT P01)

REF NO.	PART NO.	DESCRIPTION	Q'TY	REMARKS
1	48000-89LA0	POWER TILT ASSY	1	
2	48864-89LA0	.MANUAL VALVE	1	
3	48681-87J11	.CIRCLIP	1	
4	48553-88L00	.SEAL WASHER	1	
5	48510-94600	.PUMP ASSY, GEAR	1	
6	48583-95E00	.JOINT, DRIVE	1	
7	31123-89J10	.O RING	1	
8	48572-94J00	.CAP	1	
9	48664-87D00	.O RING	1	
10	31193-94J00	.BAND	1	
11	31192-94J01	.SCREW	1	
12	31281-94J01	.BOLT	2	
13	48582-97E00	.FILTER	1	
14	38100-89LA0	.MOTOR ASSY, PTT	1	
15	48664-87D00	.O RING	2	
16	48121-94JA0	SHAFT, TILT CYL LOWER	1	
17	48321-97E01	SHAFT, TILT CYL UPPER	1	
18	48325-97E00	BUSH	4	
19-1	55321-87J00	ANODE	1	
19-2	55321-87J10	ANODE(MAGNESIUM)	1	OPT
20	09103-06281	BOLT (6X14)	1	
21	09116-08150	BOLT (8X27)	2	
22	09380-12002	SNAP RING	2	
23	09407-14407	CLAMP (L:145)	3	

FIG.160

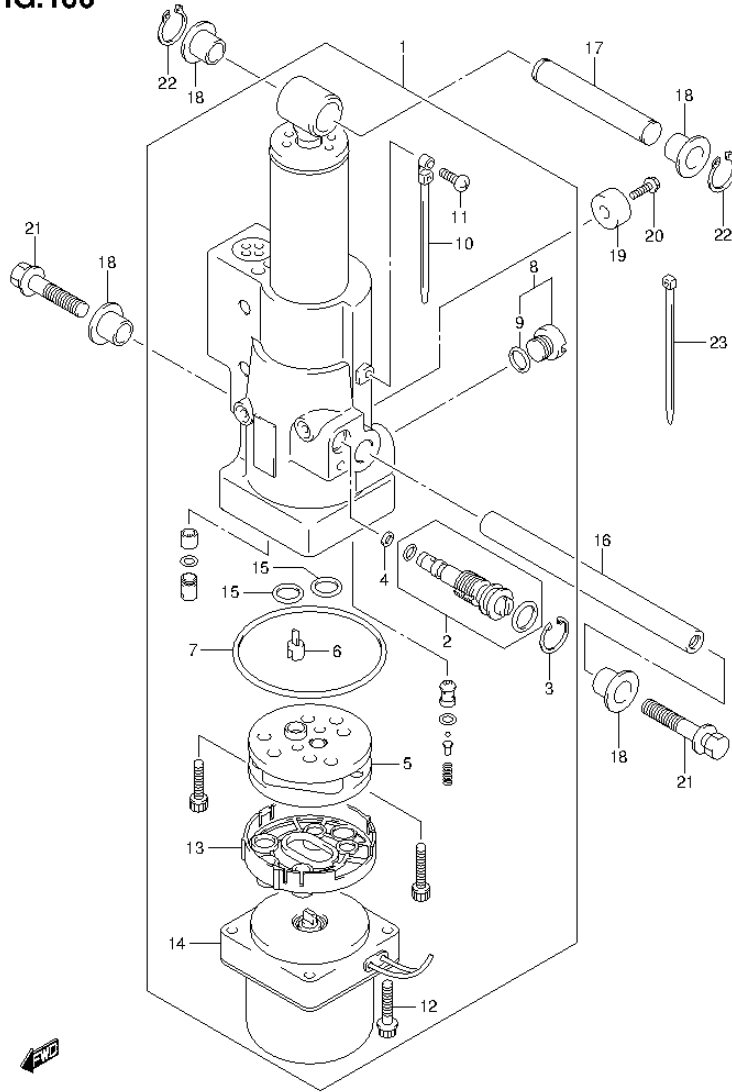


FIG.160 (2-C-9) TILT CYLINDER (DF20ATH P01)

REF NO.	PART NO.	DESCRIPTION	Q'TY	REMARKS
1	48000-89LA0	POWER TILT ASSY	1	
2	48864-89LA0	.MANUAL VALVE	1	
3	48681-87J11	.CIRCLIP	1	
4	48553-88L00	.SEAL WASHER	1	
5	48510-94600	.PUMP ASSY, GEAR	1	
6	48583-95E00	.JOINT, DRIVE	1	
7	31123-89J10	.O RING	1	
8	48572-94J00	.CAP	1	
9	48664-87D00	.O RING	1	
10	31193-94J00	.BAND	1	
11	31192-94J01	.SCREW	1	
12	31281-94J01	.BOLT	2	
13	48582-97E00	.FILTER	1	
14	38100-89LA0	.MOTOR ASSY, PTT	1	
15	48664-87D00	.O RING	2	
16	48121-94JA0	SHAFT, TILT CYL LOWER	1	
17	48321-97E01	SHAFT, TILT CYL UPPER	1	
18	48325-97E00	BUSH	4	
19-1	55321-87J00	ANODE	1	
19-2	55321-87J10	ANODE(MAGNESIUM)	1	OPT
20	09103-06281	BOLT (6X14)	1	
21	09116-08150	BOLT (8X27)	2	
22	09380-12002	SNAP RING	2	
23	09407-14407	CLAMP (L:145)	3	

FIG.161

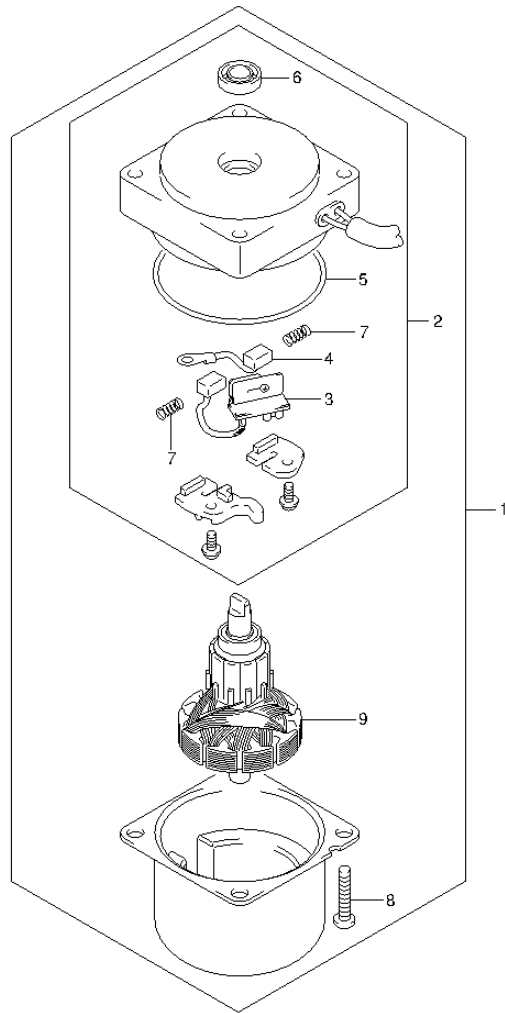


FIG.161 (2-C-10) PTT MOTOR (DF9.9BT P01)

REF NO.	PART NO.	DESCRIPTION	Q'TY	REMARKS
1	38100-89LA0	MOTOR ASSY, PTT	1	
2	31174-89LA0	.BRACKET	1	
3	31136-94J00	..BRAKER	1	
4	31133-94900	..BRUSH	1	
5	31123-94J01	..O RING	1	
6	33799-97E00	..SEAL, OIL	1	
7	31135-94900	..SPRING	2	
8	09136-05041	..SCREW (5X20)	2	
9	31311-94J00	..ARMATURE	1	



FIG.162

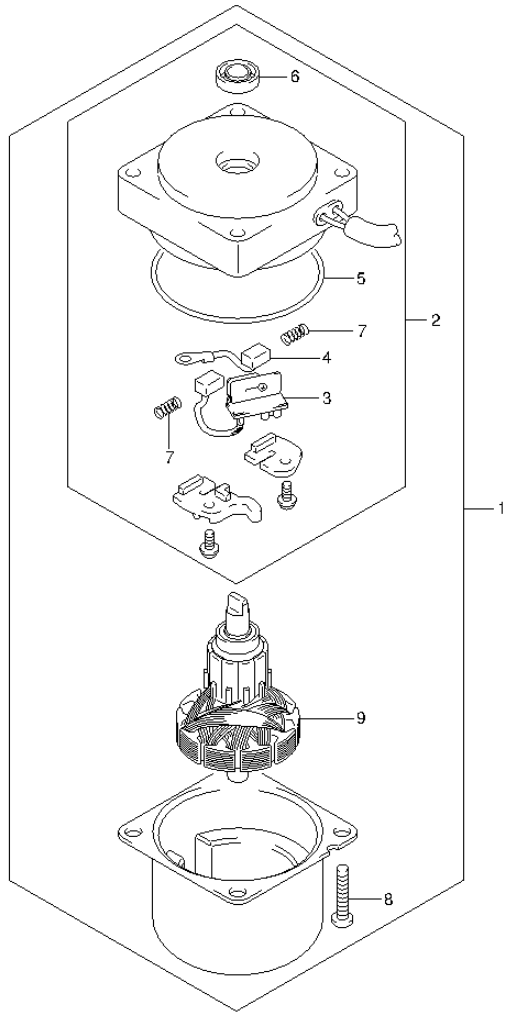


FIG.162 (2-C-11) PTT MOTOR (DF15ATH P01)

REF NO.	PART NO.	DESCRIPTION	Q'TY	REMARKS
1	38100-89LA0	MOTOR ASSY, PTT	1	
2	31174-89LA0	.BRACKET	1	
3	31136-94J00	..BRAKER	1	
4	31133-94900	..BRUSH	1	
5	31123-94J01	..O RING	1	
6	33799-97E00	..SEAL, OIL	1	
7	31135-94900	..SPRING	2	
8	09136-05041	..SCREW (5X20)	2	
9	31311-94J00	..ARMATURE	1	



FIG.163

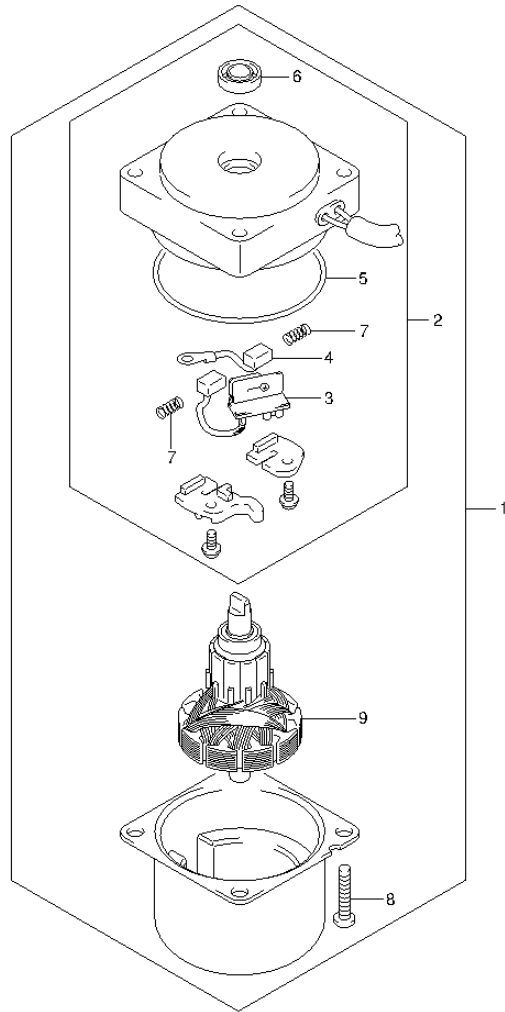


FIG.163 (2-C-12) PTT MOTOR (DF20AT P01)

REF NO.	PART NO.	DESCRIPTION	Q'TY	REMARKS
1	38100-89LA0	MOTOR ASSY, PTT	1	
2	31174-89LA0	.BRACKET	1	
3	31136-94J00	..BRAKER	1	
4	31133-94900	..BRUSH	1	
5	31123-94J01	..O RING	1	
6	33799-97E00	..SEAL, OIL	1	
7	31135-94900	..SPRING	2	
8	09136-05041	..SCREW (5X20)	2	
9	31311-94J00	..ARMATURE	1	





FIG.164

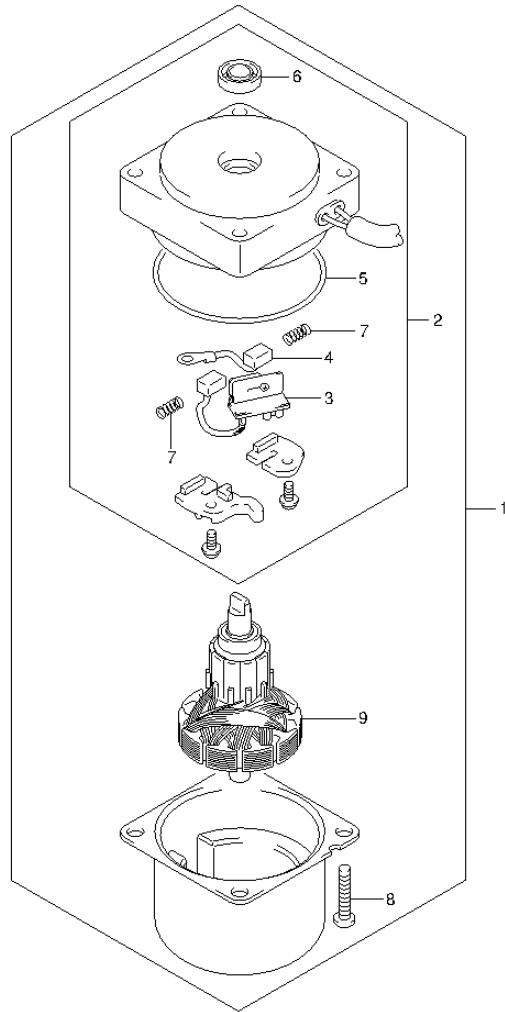


FIG.164 (2-C-13) PTT MOTOR (DF20ATH P01)

REF NO.	PART NO.	DESCRIPTION	Q'TY	REMARKS
1	38100-89LA0	MOTOR ASSY, PTT	1	
2	31174-89LA0	.BRACKET	1	
3	31136-94J00	..BRAKER	1	
4	31133-94900	..BRUSH	1	
5	31123-94J01	..O RING	1	
6	33799-97E00	..SEAL, OIL	1	
7	31135-94900	..SPRING	2	
8	09136-05041	..SCREW (5X20)	2	
9	31311-94J00	..ARMATURE	1	



FIG.165

FIG.165 (2-C-14) ENGINE HOLDER

REF NO.	PART NO.	DESCRIPTION	Q'TY	REMARKS
1	51110-89L01	HOLDER, ENGINE	1	
2	51211-89L00	GASKET, ENGINE HOLDER	1	
3	09116-08151	BOLT (8X30)	3	
4	09202-06023	PIN (6X10)	2	
5	09282-12L04	OIL SEAL (12X25X7)	1	
6	16515-89L00	HOSE, OIL	1	
7	54112-99J01	BOLT, UPR MOUNT (L:123)	2	
8	54113-99JL0	WASHER, UPPER MOUNT BOLT	2	
9	54127-89L00	MOUNT, UPRER SIDE	1	
10	54125-99J00	STOPPER, UPR REVERSE THRUST	2	
11	54130-89L00	MOUNT, UPPER	2	
12	54137-89L00	COVER, UPPER MOUNT	2	
13	09116-08137	BOLT (8X22)	4	
14	09140-10031	NUT	2	
15	01560-08307	BOLT	7	
16	09401-12413	CLIP	1	

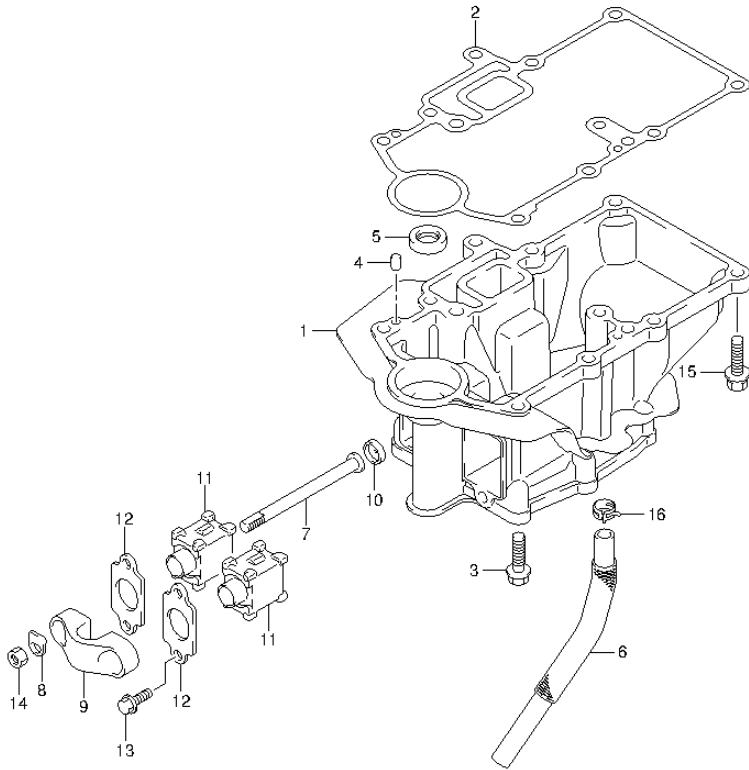


FIG.166

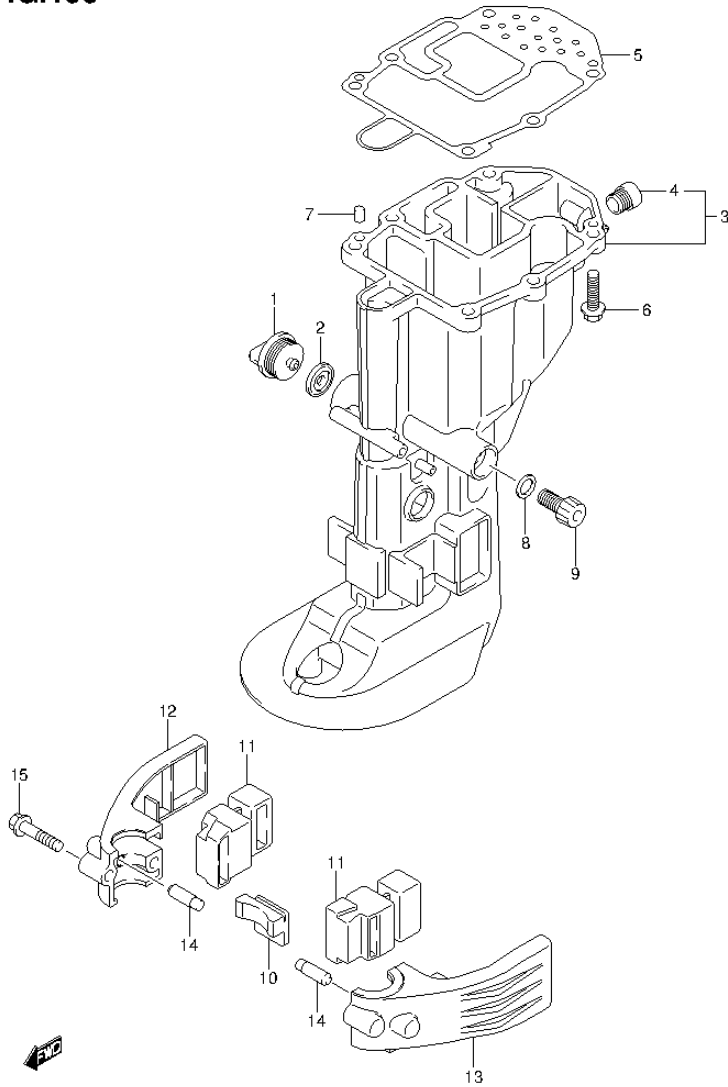


FIG.166 (2-C-15) DRIVE SHAFT HOUSING

REF NO.	PART NO.	DESCRIPTION	Q'TY	REMARKS
1	17913-93J00	PLUG, WATER	1	
2	17914-93J00	GASKET, WATER PLUG	1	
3-1	52110-89L00-0EP	HOUSING, DRIVE SHAFT (S) (BLACK)	1	W/TRANSOM(S)
3-2	52110-89L10-0EP	HOUSING, DRIVE SHAFT (L) (BLACK)	1	W/TRANSOM(L)
4	43112-99E00	.PIPE, EXHAUST	1	
5	52113-89L00	GASKET, DRIVE SHAFT HOUSING	1	
6	09116-08151	BOLT (8X30)	6	
7	09202-06023	PIN (6X10)	2	
8	09168-12017	GASKET (12X17X1)	1	
9	09248-12009	PLUG (12X18.65)	1	
10	54151-99J00	MOUNT, LOWER THRUST	1	
11	54167-99J01	MOUNT, LOWER SIDE	2	
12	54211-99J01-0EP	COVER, LWR MOUNT STBD (BLACK)	1	
13	54221-99J01-0EP	COVER, LWR MOUNT PORT (BLACK)	1	
14	54213-93901	PIN, KNOCK	2	
15	09116-08154	BOLT (8X40)	2	

FIG.167

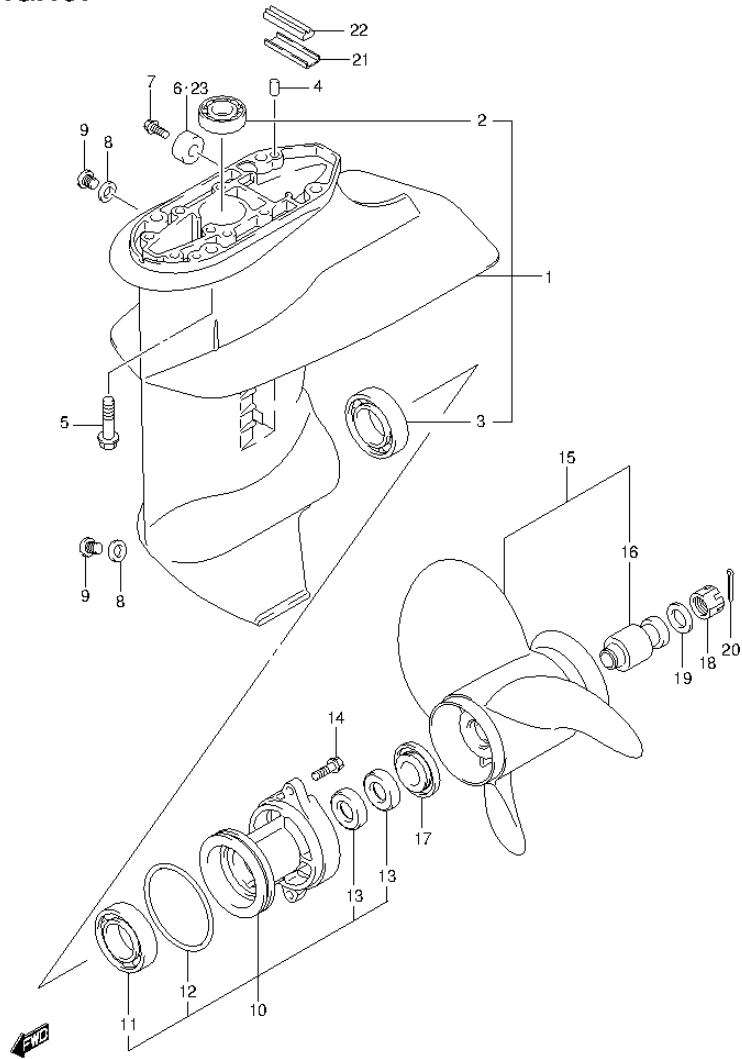
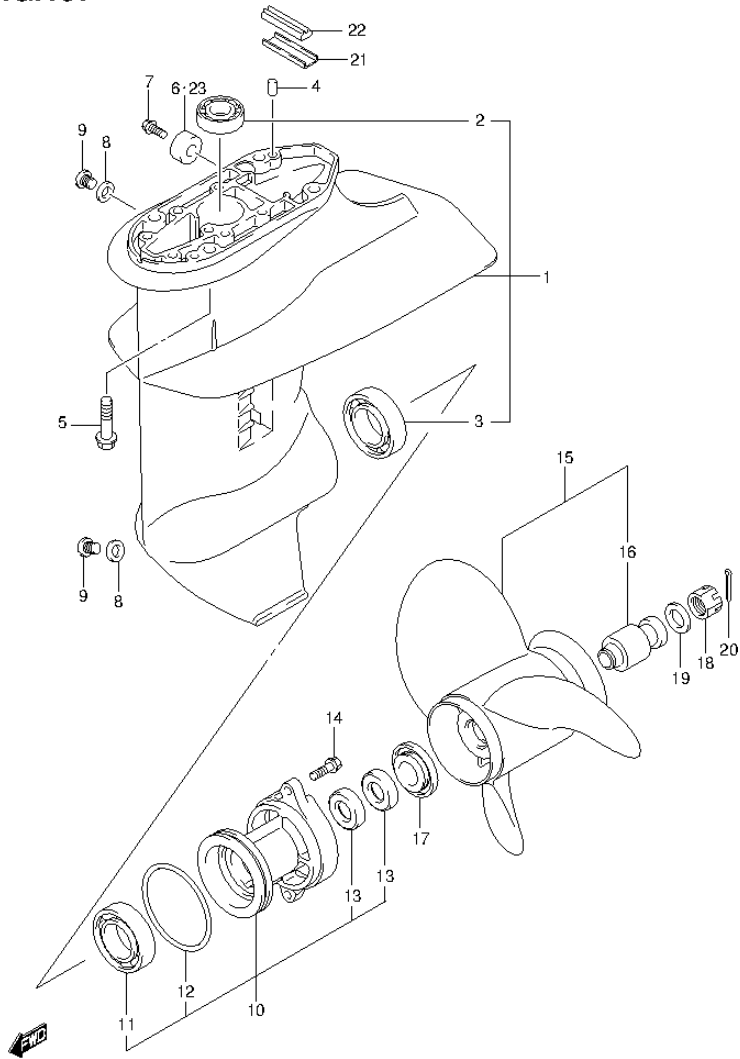


FIG.167 (2-D-2) GEAR CASE

REF NO.	PART NO.	DESCRIPTION	Q'TY	REMARKS
1	55100-99J40-0EP	CASE, GEAR (BLACK)	1	
2	09263-17L03	.BEARING (17X24X27.5)	1	
3	09262-25003	.BEARING (25X52X15)	1	
4	09202-06023	PIN (6X10)	2	
5	09116-08151	BOLT (8X30)	4	
6	55321-87J00	ANODE, PROTECTION	1	
7	09103-06281	BOLT (6X14)	1	
8	59178-97J00	GASKET, DRAIN PLUG	2	
9	09248-08001	PLUG (8X7.5)	2	
10	56120-99J40-0EP	HOUSING, PROPELLER SHAFT (BLACK)	1	
11	08110-60050	.BEARING	1	
12	09280-57002	.O RING (D:3.5,ID:65.2)	1	
13	09289-17L02	.OIL SEAL (17X30X6)	2	
14	09116-06227	BOLT (6X20)	2	
15-1	58100-89L00-019	PROPELLER, 3X9-1/4X7 (M701) (BLACK)	1	
15-2	58100-89L20-019	PROPELLER, 3X9-1/4X9 (M930) (BLACK)	1	
15-3	58100-89L30-019	PROPELLER, 3X9-1/4X10 (M1001) (BLACK)	1	
15-4	58100-89L40-019	PROPELLER, 3X9-1/4X11 (M1101) (BLACK)	1	
15-5	58100-89L50-019	PROPELLER, 3X9-1/4X12 (M1201) (BLACK)	1	
15-6	58100-90L40-019	PROPELLER, 3X9-1/4X8 (M821) (BLACK)	1	
15-7	58100-90L50-019	PROPELLER, 3X9-1/4X9 (M911) (BLACK)	1	
15-8	58100-90L60-019	PROPELLER, 3X9-1/4X10 (M1011) (BLACK)	1	
16	58120-89L00	.BUSH, PROPELLER	1	

**FIG.167**



**FIG.167 (2-D-3) GEAR CASE**

REF NO.	PART NO.	DESCRIPTION	Q'TY	REMARKS
17	57632-94J00	STOPPER, PROPELLER BUSH	1	
18	09141-12005	NUT	1	
19	09160-12066	WASHER (12.5X22X2.5)	1	
20	09204-02004	PIN	1	
21	55331-99J10	CORE, EXHAUST SEAL	1	
22	55332-99J10	RUBBER, EXHAUST SEAL	1	
23	55321-87J10	ANODE (MAGNESIUM)	1	OPT

FIG.168

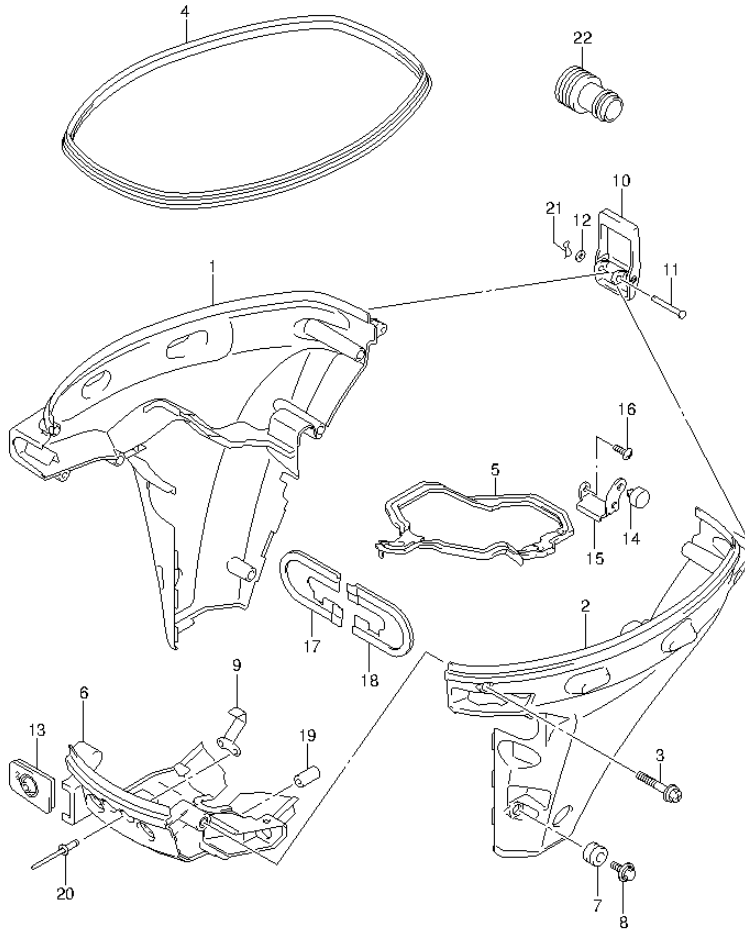


FIG.168 (2-D-4) SIDE COVER (DF9.9B P01)

REF NO.	PART NO.	DESCRIPTION	Q'TY	REMARKS
1	61810-89L00-RB4	COVER, SIDE STBD (BLACK)	1	
2	61820-89L00-RB4	COVER, SIDE PORT (BLACK)	1	
3	09136-06169	SCREW (6X35)	8	
4	61112-89L00	RUBBER, SIDE COVER	1	
5	61134-89L00	SEAL, SIDE COVER	1	
6	61831-89L00-0EP	PANEL, FRONT (BLACK)	1	
7	09320-11017	CUSHION	2	
8	09136-06168	SCREW (6X17)	2	
9	61412-89L00	HOOK, FRONT PANEL	1	
10	61610-90L00	FASTENER	1	
11	61616-93EL0	PIN, LEVER	1	
12	09161-04012	WASHER (4.2X11X1)	1	
13	61124-89L40	GROMMET, CABLE	1	
14	61151-91J11	CUSHION, LOWER COVER HOLDER	1	
15	61827-89L00	HOLDER, SIDE COVER	1	
16	02142-06167	SCREW	1	
17	54144-89L10	SEAL, UPPER MOUNT STBD	1	
18	54145-89L00	SEAL, UPPER MOUNT PORT	1	
19	09251-09007	CUSHION	2	
20	09229-04005	RIVET	2	
21	09385-04003	CLIP	1	
22	17917-87L00	CONNECTOR, FLUSH WATER	1	

FIG.169

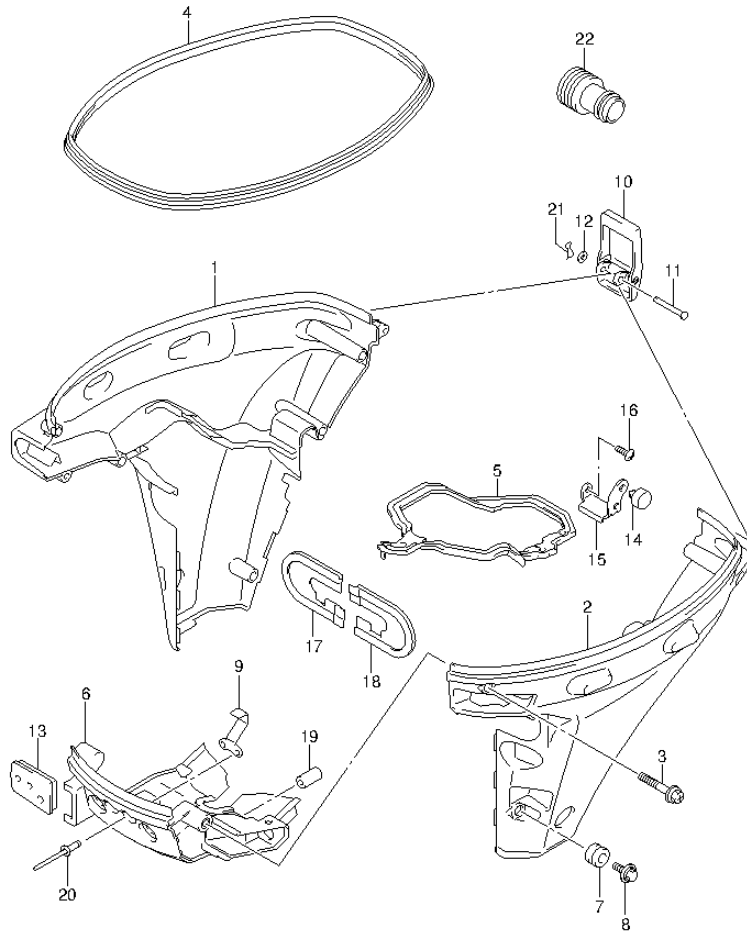


FIG.169 (2-D-5) SIDE COVER (DF9.9BR P01)

REF NO.	PART NO.	DESCRIPTION	Q'TY	REMARKS
1	61810-89L00-RB4	COVER, SIDE STBD (BLACK)	1	
2	61820-89L00-RB4	COVER, SIDE PORT (BLACK)	1	
3	09136-06169	SCREW (6X35)	8	
4	61112-89L00	RUBBER, SIDE COVER	1	
5	61134-89L00	SEAL, SIDE COVER	1	
6	61831-89L00-0EP	PANEL, FRONT (BLACK)	1	
7	09320-11017	CUSHION	2	
8	09136-06168	SCREW (6X17)	2	
9	61412-89L00	HOOK, FRONT PANEL	1	
10	61610-90L00	FASTENER	1	
11	61616-93EL0	PIN, LEVER	1	
12	09161-04012	WASHER (4.2X11X1)	1	
13	61124-89L20	GROMMET, CABLE	1	
14	61151-91J11	CUSHION, LOWER COVER HOLDER	1	
15	61827-89L00	HOLDER, SIDE COVER	1	
16	02142-06167	SCREW	1	
17	54144-89L10	SEAL, UPPER MOUNT STBD	1	
18	54145-89L00	SEAL, UPPER MOUNT PORT	1	
19	09251-09007	CUSHION	2	
20	09229-04005	RIVET	2	
21	09385-04003	CLIP	1	
22	17917-87L00	CONNECTOR, FLUSH WATER	1	

FIG.170

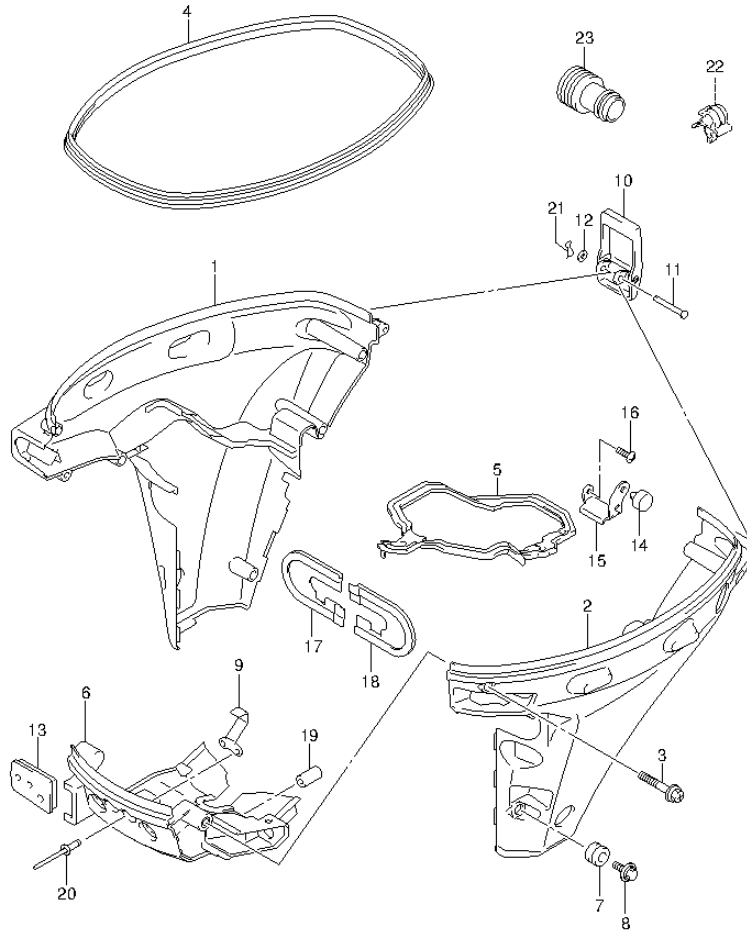


FIG.170 (2-D-6) SIDE COVER (DF9.9BT P01)

REF NO.	PART NO.	DESCRIPTION	Q'TY	REMARKS
1	61810-89L10-RB4	COVER, SIDE STBD (BLACK)	1	
2	61820-89L10-RB4	COVER, SIDE PORT (BLACK)	1	
3	09136-06169	SCREW (6X35)	8	
4	61112-89L00	RUBBER, SIDE COVER	1	
5	61134-89L00	SEAL, SIDE COVER	1	
6	61831-89L00-0EP	PANEL, FRONT (BLACK)	1	
7	09320-11017	CUSHION	2	
8	09136-06168	SCREW (6X17)	2	
9	61412-89L00	HOOK, FRONT PANEL	1	
10	61610-90L00	FASTENER	1	
11	61616-93EL0	PIN, LEVER	1	
12	09161-04012	WASHER (4.2X11X1)	1	
13	61124-89L30	GROMMET, CABLE	1	
14	61151-91J11	CUSHION, LOWER COVER HOLDER	1	
15	61827-89L00	HOLDER, SIDE COVER	1	
16	02142-06167	SCREW	1	
17	54144-89L10	SEAL, UPPER MOUNT STBD	1	
18	54145-89L00	SEAL, UPPER MOUNT PORT	1	
19	09251-09007	CUSHION	2	
20	09229-04005	RIVET	2	
21	09385-04003	CLIP	1	
22	09403-07308	CLAMP	2	
23	17917-87L00	CONNECTOR, FLUSH WATER	1	



FIG.171

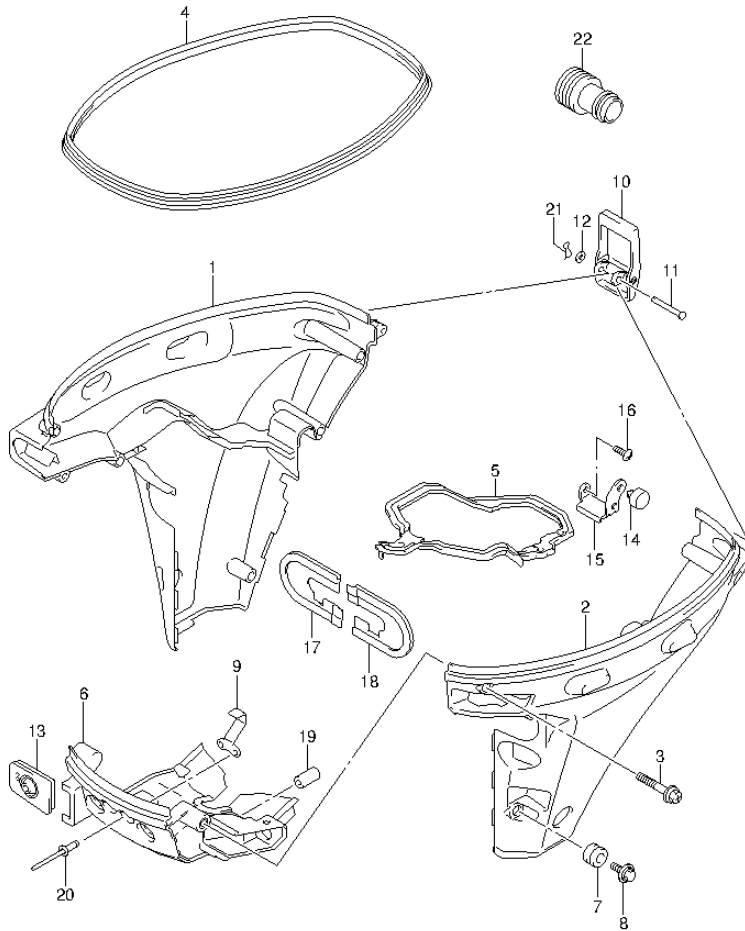


FIG.171 (2-D-7) SIDE COVER (DF15A P01)

REF NO.	PART NO.	DESCRIPTION	Q'TY	REMARKS
1	61810-89L00-RB4	COVER, SIDE STBD (BLACK)	1	
2	61820-89L00-RB4	COVER, SIDE PORT (BLACK)	1	
3	09136-06169	SCREW (6X35)	8	
4	61112-89L00	RUBBER, SIDE COVER	1	
5	61134-89L00	SEAL, SIDE COVER	1	
6	61831-89L00-0EP	PANEL, FRONT (BLACK)	1	
7	09320-11017	CUSHION	2	
8	09136-06168	SCREW (6X17)	2	
9	61412-89L00	HOOK, FRONT PANEL	1	
10	61610-90L00	FASTENER	1	
11	61616-93EL0	PIN, LEVER	1	
12	09161-04012	WASHER (4.2X11X1)	1	
13	61124-89L40	GROMMET, CABLE	1	
14	61151-91J11	CUSHION, LOWER COVER HOLDER	1	
15	61827-89L00	HOLDER, SIDE COVER	1	
16	02142-06167	SCREW	1	
17	54144-89L10	SEAL, UPPER MOUNT STBD	1	
18	54145-89L00	SEAL, UPPER MOUNT PORT	1	
19	09251-09007	CUSHION	2	
20	09229-04005	RIVET	2	
21	09385-04003	CLIP	1	
22	17917-87L00	CONNECTOR, FLUSH WATER	1	

FIG.172

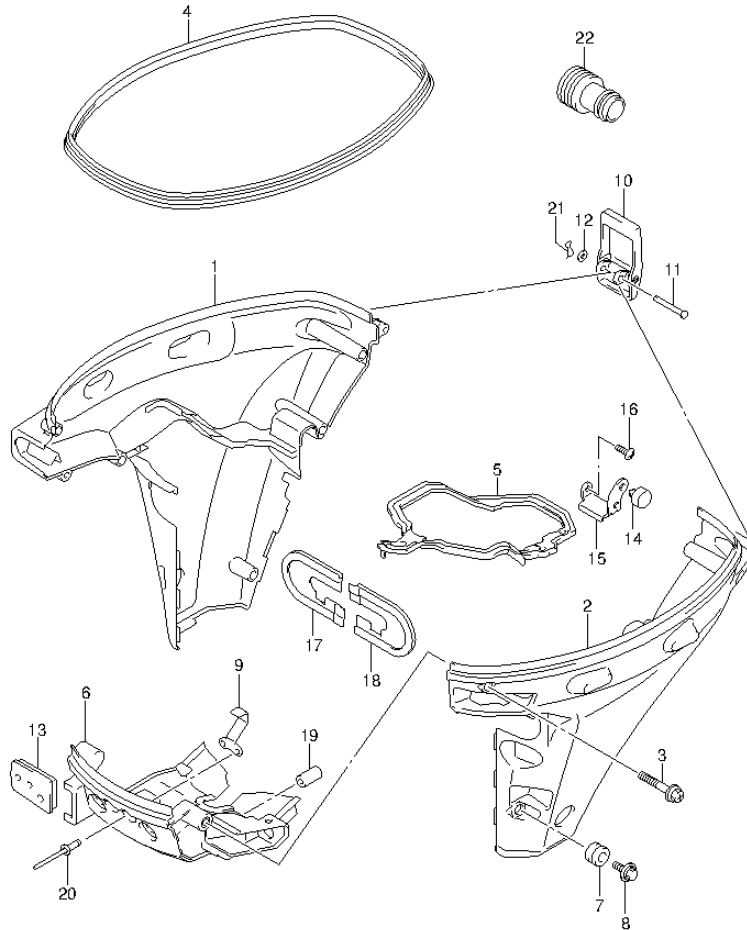


FIG.172 (2-D-8) SIDE COVER (DF15AR P01)

REF NO.	PART NO.	DESCRIPTION	Q'TY	REMARKS
1	61810-89L00-RB4	COVER, SIDE STBD (BLACK)	1	
2	61820-89L00-RB4	COVER, SIDE PORT (BLACK)	1	
3	09136-06169	SCREW (6X35)	8	
4	61112-89L00	RUBBER, SIDE COVER	1	
5	61134-89L00	SEAL, SIDE COVER	1	
6	61831-89L00-0EP	PANEL, FRONT (BLACK)	1	
7	09320-11017	CUSHION	2	
8	09136-06168	SCREW (6X17)	2	
9	61412-89L00	HOOK, FRONT PANEL	1	
10	61610-90L00	FASTENER	1	
11	61616-93EL0	PIN, LEVER	1	
12	09161-04012	WASHER (4.2X11X1)	1	
13	61124-89L20	GROMMET, CABLE	1	
14	61151-91J11	CUSHION, LOWER COVER HOLDER	1	
15	61827-89L00	HOLDER, SIDE COVER	1	
16	02142-06167	SCREW	1	
17	54144-89L10	SEAL, UPPER MOUNT STBD	1	
18	54145-89L00	SEAL, UPPER MOUNT PORT	1	
19	09251-09007	CUSHION	2	
20	09229-04005	RIVET	2	
21	09385-04003	CLIP	1	
22	17917-87L00	CONNECTOR, FLUSH WATER	1	

FIG.173

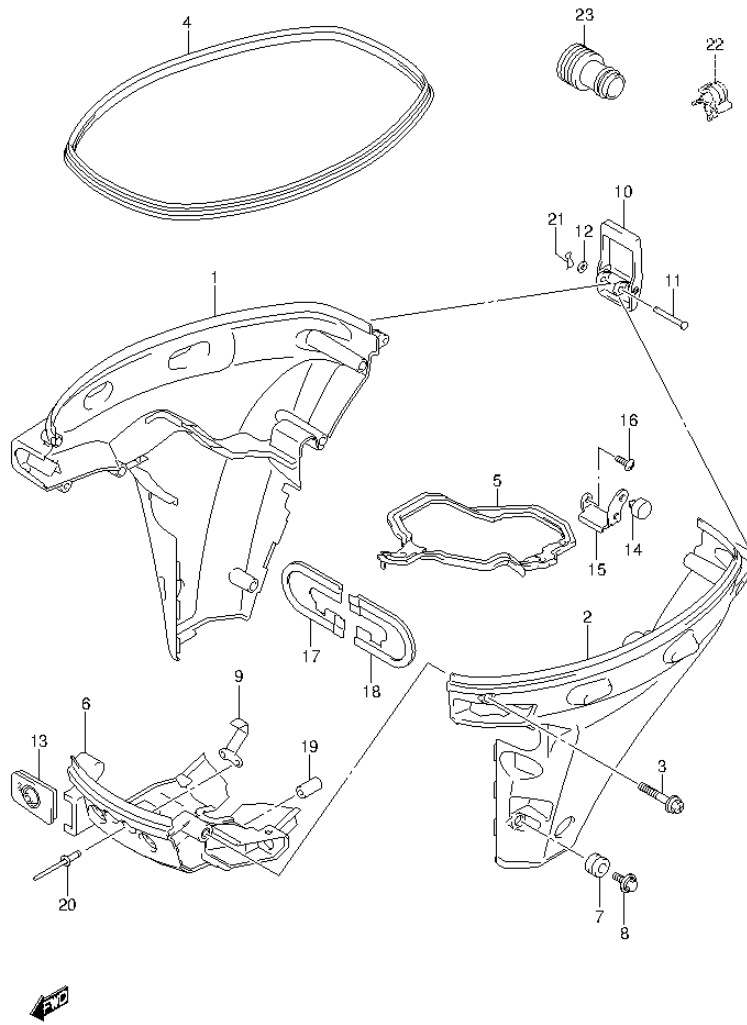


FIG.173 (2-D-9) SIDE COVER (DF15ATH P01)

REF NO.	PART NO.	DESCRIPTION	Q'TY	REMARKS
1	61810-89L10-RB4	COVER, SIDE STBD (BLACK)	1	
2	61820-89L00-RB4	COVER, SIDE PORT (BLACK)	1	
3	09136-06169	SCREW (6X35)	8	
4	61112-89L00	RUBBER, SIDE COVER	1	
5	61134-89L00	SEAL, SIDE COVER	1	
6	61831-89L00-0EP	PANEL, FRONT (BLACK)	1	
7	09320-11017	CUSHION	2	
8	09136-06168	SCREW (6X17)	2	
9	61412-89L00	HOOK, FRONT PANEL	1	
10	61610-90L00	FASTENER	1	
11	61616-93EL0	PIN, LEVER	1	
12	09161-04012	WASHER (4.2X11X1)	1	
13	61124-89L40	GROMMET, CABLE	1	
14	61151-91J11	CUSHION, LOWER COVER HOLDER	1	
15	61827-89L00	HOLDER, SIDE COVER	1	
16	02142-06167	SCREW	1	
17	54144-89L10	SEAL, UPPER MOUNT STBD	1	
18	54145-89L00	SEAL, UPPER MOUNT PORT	1	
19	09251-09007	CUSHION	2	
20	09229-04005	RIVET	2	
21	09385-04003	CLIP	1	
22	09403-07308	CLAMP	2	
23	17917-87L00	CONNECTOR, FLUSH WATER	1	

FIG.174

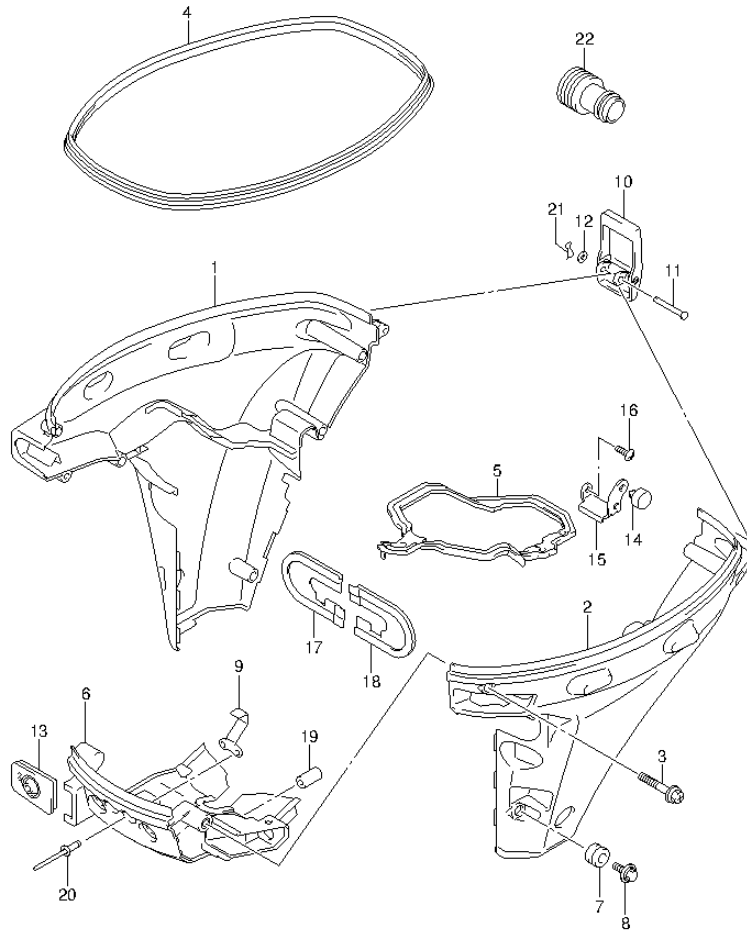


FIG.174 (2-D-10) SIDE COVER (DF20A P01)

REF NO.	PART NO.	DESCRIPTION	Q'TY	REMARKS
1	61810-89L00-RB4	COVER, SIDE STBD (BLACK)	1	
2	61820-89L00-RB4	COVER, SIDE PORT (BLACK)	1	
3	09136-06169	SCREW (6X35)	8	
4	61112-89L00	RUBBER, SIDE COVER	1	
5	61134-89L00	SEAL, SIDE COVER	1	
6	61831-89L00-0EP	PANEL, FRONT (BLACK)	1	
7	09320-11017	CUSHION	2	
8	09136-06168	SCREW (6X17)	2	
9	61412-89L00	HOOK, FRONT PANEL	1	
10	61610-90L00	FASTENER	1	
11	61616-93EL0	PIN, LEVER	1	
12	09161-04012	WASHER (4.2X11X1)	1	
13	61124-89L40	GROMMET, CABLE	1	
14	61151-91J11	CUSHION, LOWER COVER HOLDER	1	
15	61827-89L00	HOLDER, SIDE COVER	1	
16	02142-06167	SCREW	1	
17	54144-89L10	SEAL, UPPER MOUNT STBD	1	
18	54145-89L00	SEAL, UPPER MOUNT PORT	1	
19	09251-09007	CUSHION	2	
20	09229-04005	RIVET	2	
21	09385-04003	CLIP	1	
22	17917-87L00	CONNECTOR, FLUSH WATER	1	

FIG.175

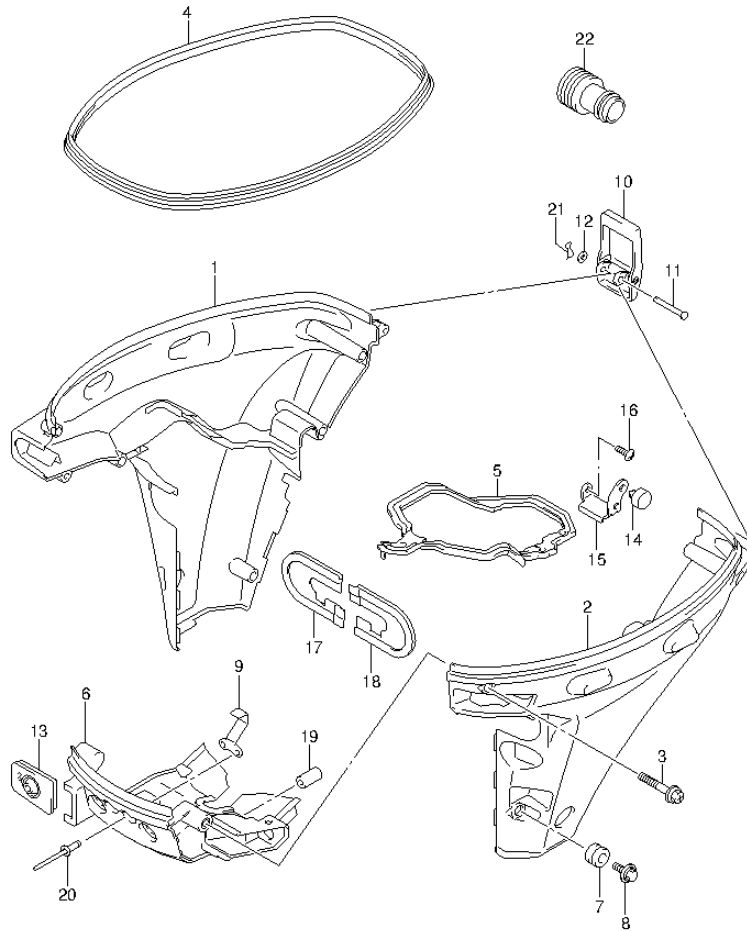


FIG.175 (2-D-11) SIDE COVER (DF20A P40)

REF NO.	PART NO.	DESCRIPTION	Q'TY	REMARKS
1	61810-89L00-RB4	COVER, SIDE STBD (BLACK)	1	
2	61820-89L00-RB4	COVER, SIDE PORT (BLACK)	1	
3	09136-06169	SCREW (6X35)	8	
4	61112-89L00	RUBBER, SIDE COVER	1	
5	61134-89L00	SEAL, SIDE COVER	1	
6	61831-89L00-0EP	PANEL, FRONT (BLACK)	1	
7	09320-11017	CUSHION	2	
8	09136-06168	SCREW (6X17)	2	
9	61412-89L00	HOOK, FRONT PANEL	1	
10	61610-90L00	FASTENER	1	
11	61616-93EL0	PIN, LEVER	1	
12	09161-04012	WASHER (4.2X11X1)	1	
13	61124-89L40	GROMMET, CABLE	1	
14	61151-91J11	CUSHION, LOWER COVER HOLDER	1	
15	61827-89L00	HOLDER, SIDE COVER	1	
16	02142-06167	SCREW	1	
17	54144-89L10	SEAL, UPPER MOUNT STBD	1	
18	54145-89L00	SEAL, UPPER MOUNT PORT	1	
19	09251-09007	CUSHION	2	
20	09229-04005	RIVET	2	
21	09385-04003	CLIP	1	
22	17917-87L00	CONNECTOR, FLUSH WATER	1	

FIG.176

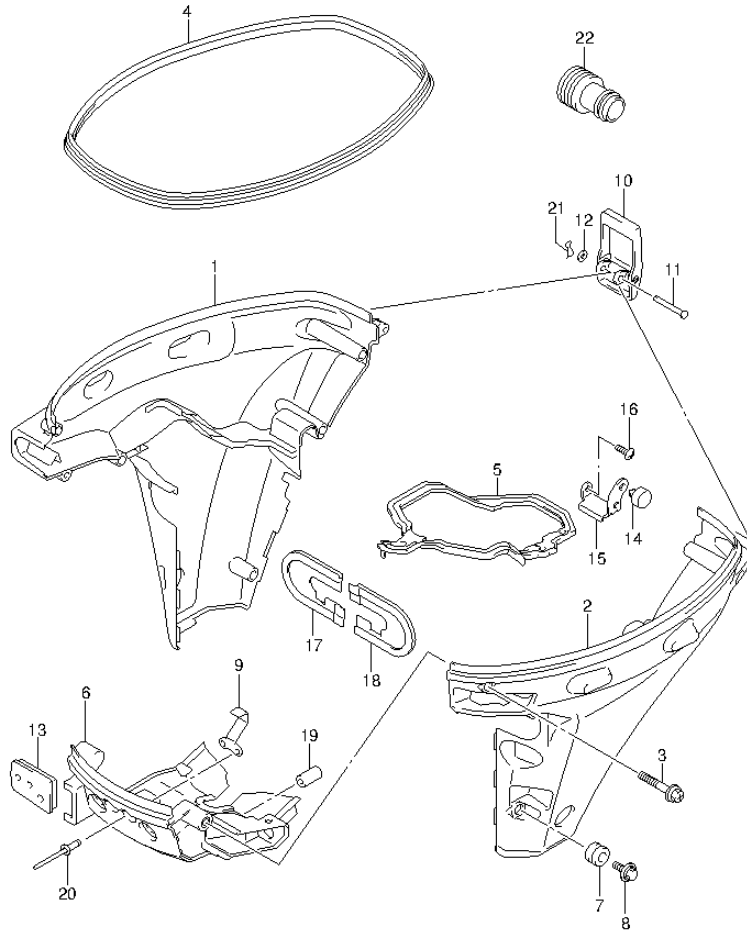


FIG.176 (2-D-12) SIDE COVER (DF20AR P01)

REF NO.	PART NO.	DESCRIPTION	Q'TY	REMARKS
1	61810-89L00-RB4	COVER, SIDE STBD (BLACK)	1	
2	61820-89L00-RB4	COVER, SIDE PORT (BLACK)	1	
3	09136-06169	SCREW (6X35)	8	
4	61112-89L00	RUBBER, SIDE COVER	1	
5	61134-89L00	SEAL, SIDE COVER	1	
6	61831-89L00-0EP	PANEL, FRONT (BLACK)	1	
7	09320-11017	CUSHION	2	
8	09136-06168	SCREW (6X17)	2	
9	61412-89L00	HOOK, FRONT PANEL	1	
10	61610-90L00	FASTENER	1	
11	61616-93EL0	PIN, LEVER	1	
12	09161-04012	WASHER (4.2X11X1)	1	
13	61124-89L20	GROMMET, CABLE	1	
14	61151-91J11	CUSHION, LOWER COVER HOLDER	1	
15	61827-89L00	HOLDER, SIDE COVER	1	
16	02142-06167	SCREW	1	
17	54144-89L10	SEAL, UPPER MOUNT STBD	1	
18	54145-89L00	SEAL, UPPER MOUNT PORT	1	
19	09251-09007	CUSHION	2	
20	09229-04005	RIVET	2	
21	09385-04003	CLIP	1	
22	17917-87L00	CONNECTOR, FLUSH WATER	1	

FIG.177

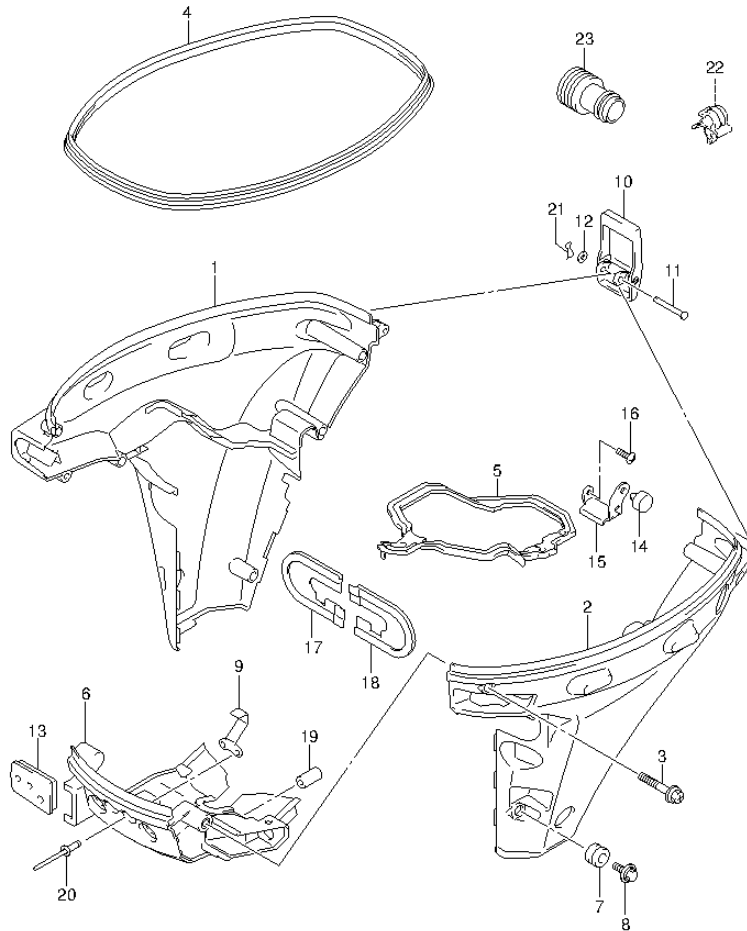


FIG.177 (2-D-13) SIDE COVER (DF20AT P01)

REF NO.	PART NO.	DESCRIPTION	Q'TY	REMARKS
1	61810-89L10-RB4	COVER, SIDE STBD (BLACK)	1	
2	61820-89L10-RB4	COVER, SIDE PORT (BLACK)	1	
3	09136-06169	SCREW (6X35)	8	
4	61112-89L00	RUBBER, SIDE COVER	1	
5	61134-89L00	SEAL, SIDE COVER	1	
6	61831-89L00-0EP	PANEL, FRONT (BLACK)	1	
7	09320-11017	CUSHION	2	
8	09136-06168	SCREW (6X17)	2	
9	61412-89L00	HOOK, FRONT PANEL	1	
10	61610-90L00	FASTENER	1	
11	61616-93EL0	PIN, LEVER	1	
12	09161-04012	WASHER (4.2X11X1)	1	
13	61124-89L30	GROMMET, CABLE	1	
14	61151-91J11	CUSHION, LOWER COVER HOLDER	1	
15	61827-89L00	HOLDER, SIDE COVER	1	
16	02142-06167	SCREW	1	
17	54144-89L10	SEAL, UPPER MOUNT STBD	1	
18	54145-89L00	SEAL, UPPER MOUNT PORT	1	
19	09251-09007	CUSHION	2	
20	09229-04005	RIVET	2	
21	09385-04003	CLIP	1	
22	09403-07308	CLAMP	2	
23	17917-87L00	CONNECTOR, FLUSH WATER	1	

FIG.178

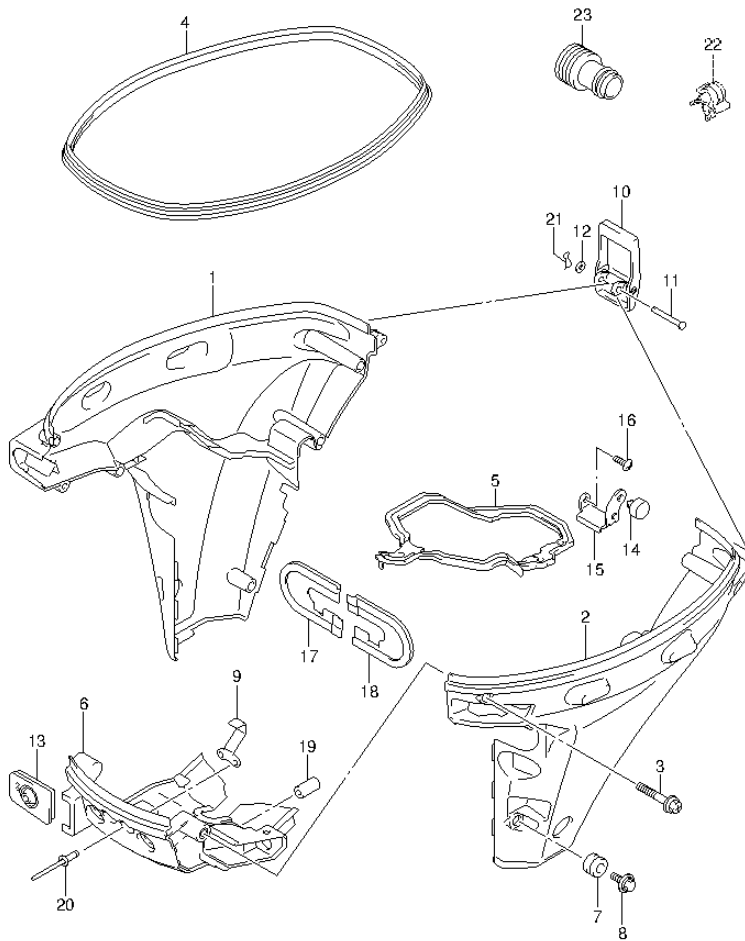


FIG.178 (2-D-14) SIDE COVER (DF20ATH P01)

REF NO.	PART NO.	DESCRIPTION	Q'TY	REMARKS
1	61810-89L10-RB4	COVER, SIDE STBD (BLACK)	1	
2	61820-89L00-RB4	COVER, SIDE PORT (BLACK)	1	
3	09136-06169	SCREW (6X35)	8	
4	61112-89L00	RUBBER, SIDE COVER	1	
5	61134-89L00	SEAL, SIDE COVER	1	
6	61831-89L00-0EP	PANEL, FRONT (BLACK)	1	
7	09320-11017	CUSHION	2	
8	09136-06168	SCREW (6X17)	2	
9	61412-89L00	HOOK, FRONT PANEL	1	
10	61610-90L00	FASTENER	1	
11	61616-93EL0	PIN, LEVER	1	
12	09161-04012	WASHER (4.2X11X1)	1	
13	61124-89L40	GROMMET, CABLE	1	
14	61151-91J11	CUSHION, LOWER COVER HOLDER	1	
15	61827-89L00	HOLDER, SIDE COVER	1	
16	02142-06167	SCREW	1	
17	54144-89L10	SEAL, UPPER MOUNT STBD	1	
18	54145-89L00	SEAL, UPPER MOUNT PORT	1	
19	09251-09007	CUSHION	2	
20	09229-04005	RIVET	2	
21	09385-04003	CLIP	1	
22	09403-07308	CLAMP	2	
23	17917-87L00	CONNECTOR, FLUSH WATER	1	



FIG.179

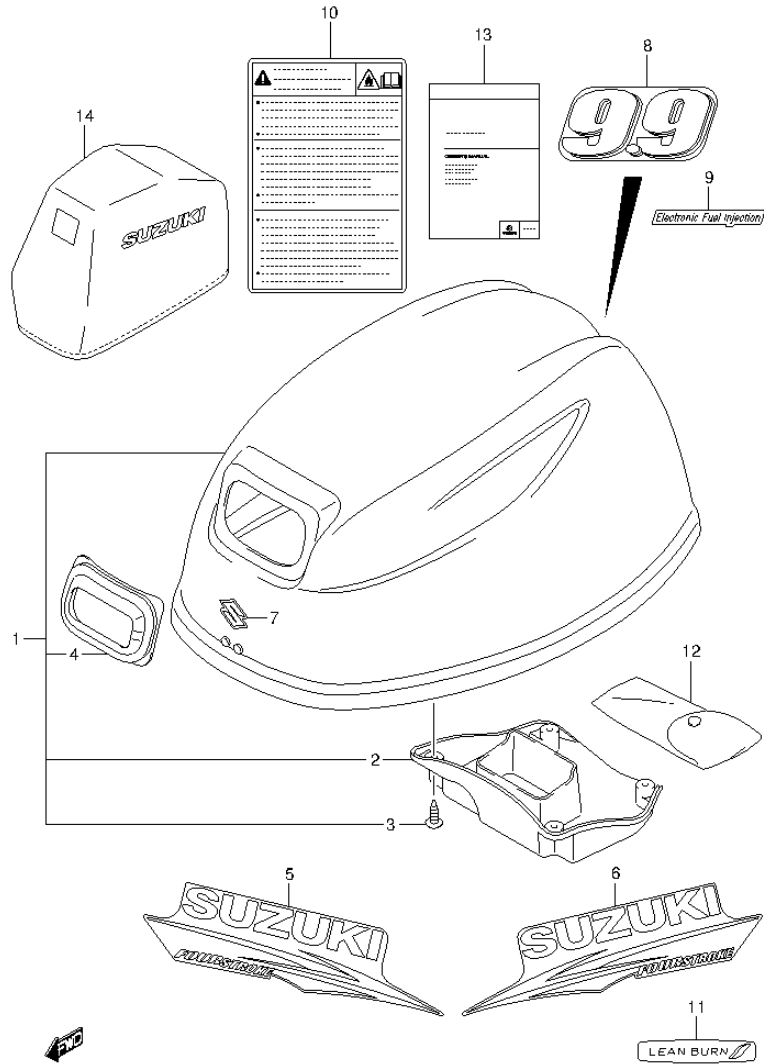


FIG.179 (2-D-15) ENGINE COVER (DF9.9B P01)

REF NO.	PART NO.	DESCRIPTION	Q'TY	REMARKS
1	61400-89L00-OEP	COVER ASSY, ENGINE (BLACK)	1	
2	61433-89L00	.COVER, AIR INTAKE INNER	1	
3	03542-05169	.SCREW	4	
4	61622-90L00	.SEAL, RECOIL STARTER	1	
5	61443-99J00	STRIPE, ENGINE COVER STBD	1	
6	61453-99J00	STRIPE, ENGINE COVER PORT	1	
7	68111-89L00	EMBLEM (S)	1	
8	61435-99J10	MARK, EMBLEM REAR (9.9)	1	
9	61446-89L00	DECAL, EFI	1	
10	61458-89L00	LABEL, ENGINE COVER	1	
11	61471-89L00	DECAL, LEAN BURN	1	
12	59800-89L00	TOOL ASSY	1	
13	99011-89L10-055	MANUAL, OWNER'S	1	
14	68110-89L00	COVER, WEATHER	1	OPT

FIG.180

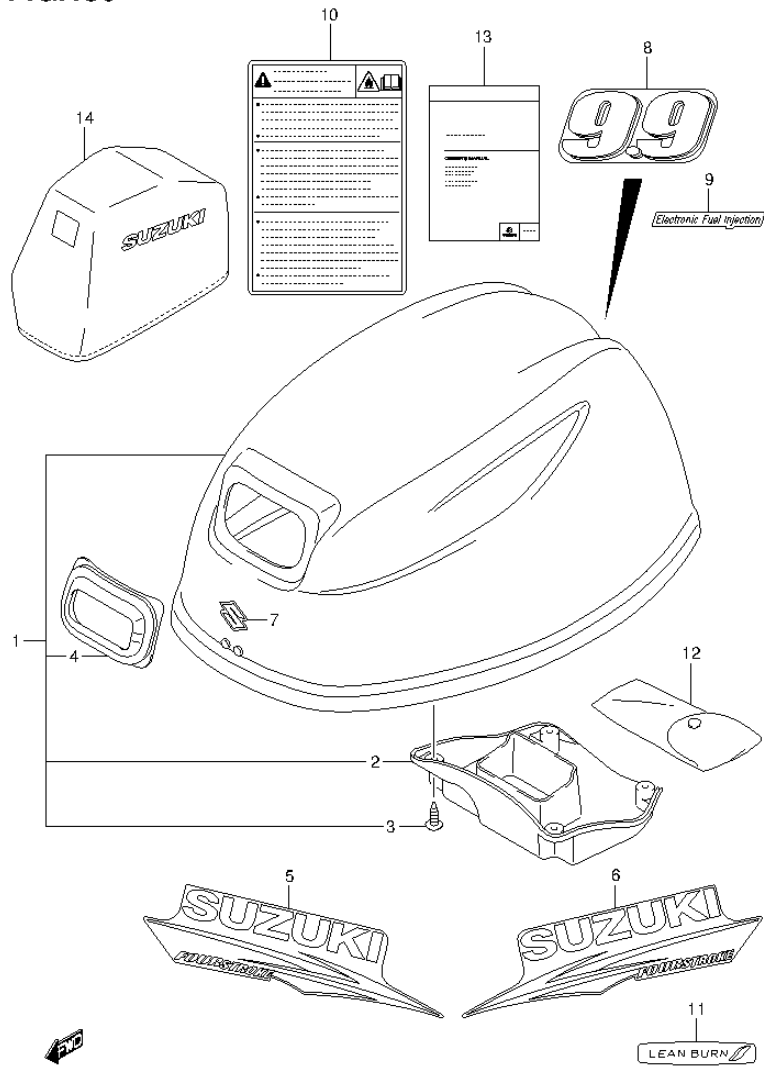


FIG.180 (2-E-2) ENGINE COVER (DF9.9BR P01)

REF NO.	PART NO.	DESCRIPTION	Q'TY	REMARKS
1	61400-89L00-OEP	COVER ASSY, ENGINE (BLACK)	1	
2	61433-89L00	.COVER, AIR INTAKE INNER	1	
3	03542-05169	.SCREW	4	
4	61622-90L00	.SEAL, RECOIL STARTER	1	
5	61443-99J00	STRIPE, ENGINE COVER STBD	1	
6	61453-99J00	STRIPE, ENGINE COVER PORT	1	
7	68111-89L00	EMBLEM (S)	1	
8	61435-99J10	MARK, EMBLEM REAR (9.9)	1	
9	61446-89L00	DECAL, EFI	1	
10	61458-89L00	LABEL, ENGINE COVER	1	
11	61471-89L00	DECAL, LEAN BURN	1	
12	59800-89L00	TOOL ASSY	1	
13	99011-89L10-055	MANUAL, OWNER'S	1	
14	68110-89L00	COVER, WEATHER	1	OPT

FIG.181

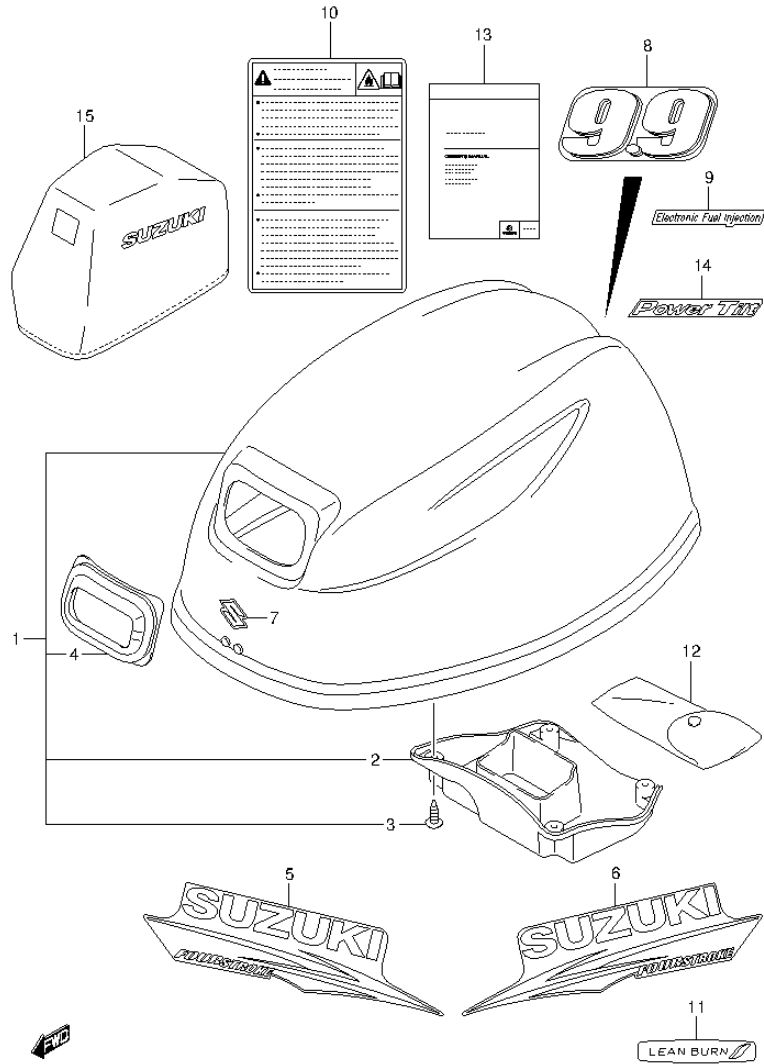


FIG.181 (2-E-3) ENGINE COVER (DF9.9BT P01)

REF NO.	PART NO.	DESCRIPTION	Q'TY	REMARKS
1	61400-89L00-OEP	COVER ASSY, ENGINE (BLACK)	1	
2	61433-89L00	.COVER, AIR INTAKE INNER	1	
3	03542-05169	.SCREW	4	
4	61622-90L00	.SEAL, RECOIL STARTER	1	
5	61443-99J00	STRIPE, ENGINE COVER STBD	1	
6	61453-99J00	STRIPE, ENGINE COVER PORT	1	
7	68111-89L00	EMBLEM (S)	1	
8	61435-99J10	MARK, EMBLEM REAR (9.9)	1	
9	61446-89L00	DECAL, EFI	1	
10	61458-89L00	LABEL, ENGINE COVER	1	
11	61471-89L00	DECAL, LEAN BURN	1	
12	59800-89L00	TOOL ASSY	1	
13	99011-89L10-055	MANUAL, OWNER'S	1	
14	61447-94J00	MARK, EMBLEM POWER TILT	1	
15	68110-89L00	COVER, WEATHER	1	OPT

FIG.182

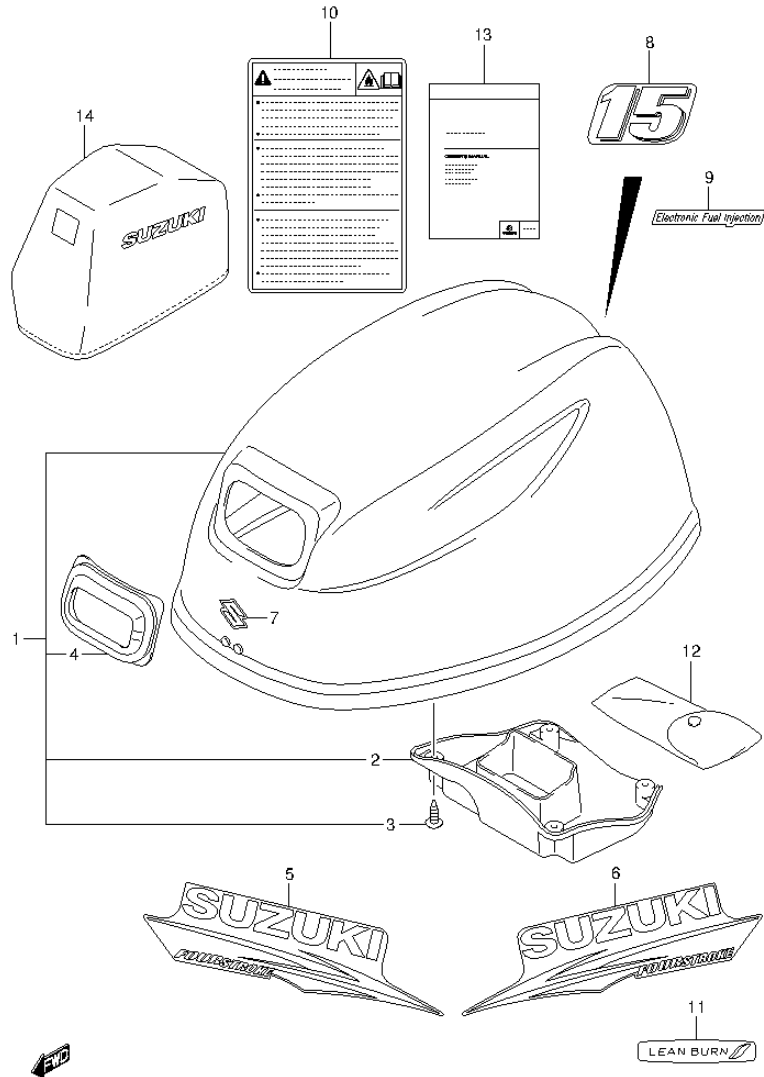


FIG.182 (2-E-4) ENGINE COVER (DF15A P01)

REF NO.	PART NO.	DESCRIPTION	Q'TY	REMARKS
1	61400-89L00-OEP	COVER ASSY, ENGINE (BLACK)	1	
2	61433-89L00	.COVER, AIR INTAKE INNER	1	
3	03542-05169	.SCREW	4	
4	61622-90L00	.SEAL, RECOIL STARTER	1	
5	61443-99J00	STRIPE, ENGINE COVER STBD	1	
6	61453-99J00	STRIPE, ENGINE COVER PORT	1	
7	68111-89L00	EMBLEM (S)	1	
8	61435-94J30	MARK, EMBLEM REAR (15)	1	
9	61446-89L00	DECAL, EFI	1	
10	61458-89L00	LABEL, ENGINE COVER	1	
11	61471-89L00	DECAL, LEAN BURN	1	
12	59800-89L00	TOOL ASSY	1	
13	99011-89L10-055	MANUAL, OWNER'S	1	
14	68110-89L00	COVER, WEATHER	1	OPT

FIG.183

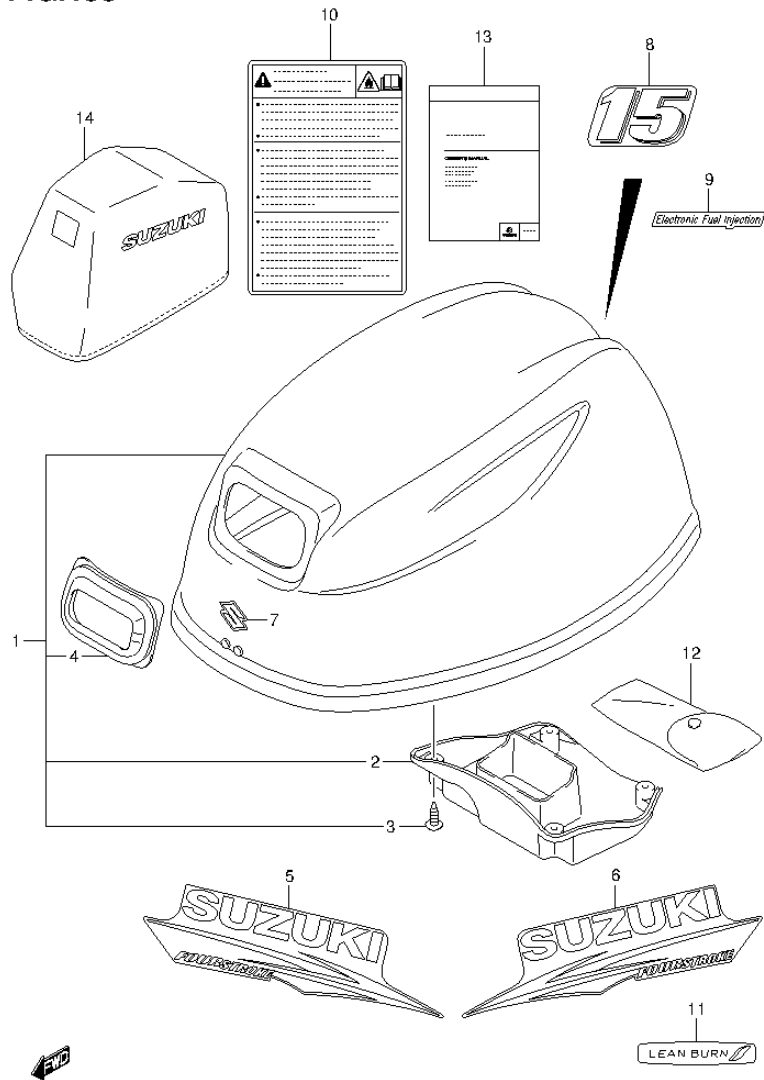


FIG.183 (2-E-5) ENGINE COVER (DF15AR P01)

REF NO.	PART NO.	DESCRIPTION	Q'TY	REMARKS
1	61400-89L00-OEP	COVER ASSY, ENGINE (BLACK)	1	
2	61433-89L00	.COVER, AIR INTAKE INNER	1	
3	03542-05169	.SCREW	4	
4	61622-90L00	.SEAL, RECOIL STARTER	1	
5	61443-99J00	STRIPE, ENGINE COVER STBD	1	
6	61453-99J00	STRIPE, ENGINE COVER PORT	1	
7	68111-89L00	EMBLEM (S)	1	
8	61435-94J30	MARK, EMBLEM REAR (15)	1	
9	61446-89L00	DECAL, EFI	1	
10	61458-89L00	LABEL, ENGINE COVER	1	
11	61471-89L00	DECAL, LEAN BURN	1	
12	59800-89L00	TOOL ASSY	1	
13	99011-89L10-055	MANUAL, OWNER'S	1	
14	68110-89L00	COVER, WEATHER	1	OPT

FIG.184

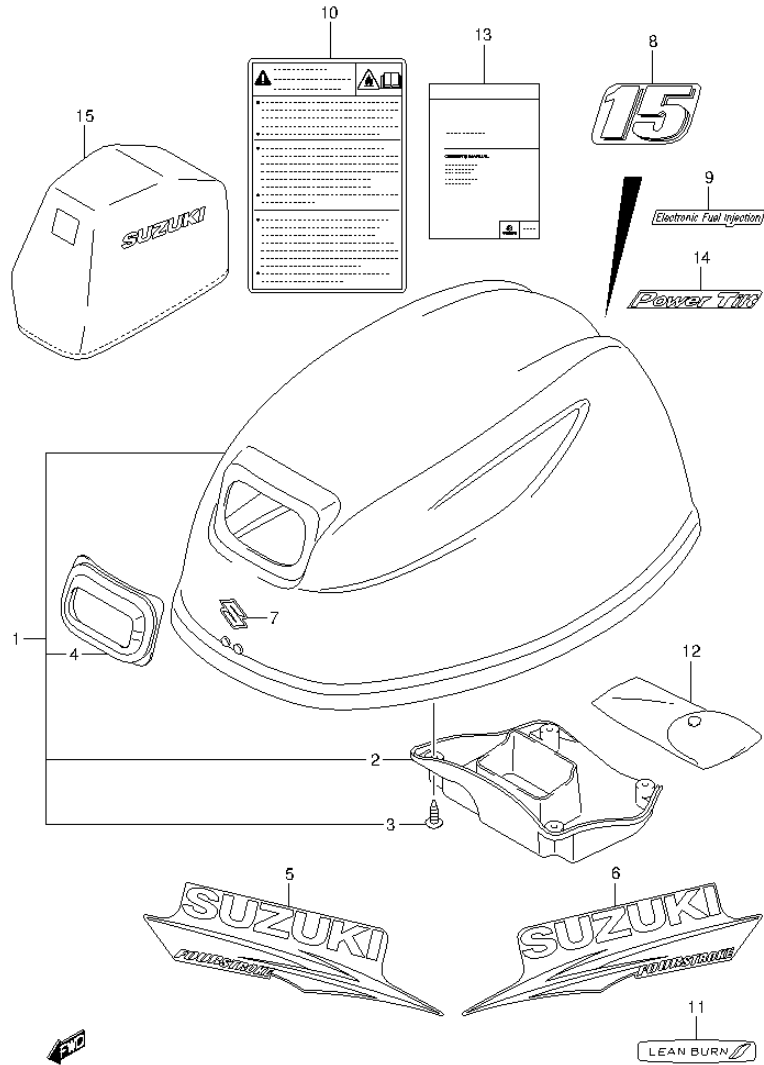


FIG.184 (2-E-6) ENGINE COVER (DF15ATH P01)

REF NO.	PART NO.	DESCRIPTION	Q'TY	REMARKS
1	61400-89L00-OEP	COVER ASSY, ENGINE (BLACK)	1	
2	61433-89L00	.COVER, AIR INTAKE INNER	1	
3	03542-05169	.SCREW	4	
4	61622-90L00	.SEAL, RECOIL STARTER	1	
5	61443-99J00	STRIPE, ENGINE COVER STBD	1	
6	61453-99J00	STRIPE, ENGINE COVER PORT	1	
7	68111-89L00	EMBLEM (S)	1	
8	61435-94J30	MARK, EMBLEM REAR (15)	1	
9	61446-89L00	DECAL, EFI	1	
10	61458-89L00	LABEL, ENGINE COVER	1	
11	61471-89L00	DECAL, LEAN BURN	1	
12	59800-89L00	TOOL ASSY	1	
13	99011-89L10-055	MANUAL, OWNER'S	1	
14	61447-94J00	MARK, EMBLEM POWER TILT	1	
15	68110-89L00	COVER, WEATHER	1	OPT

FIG.185

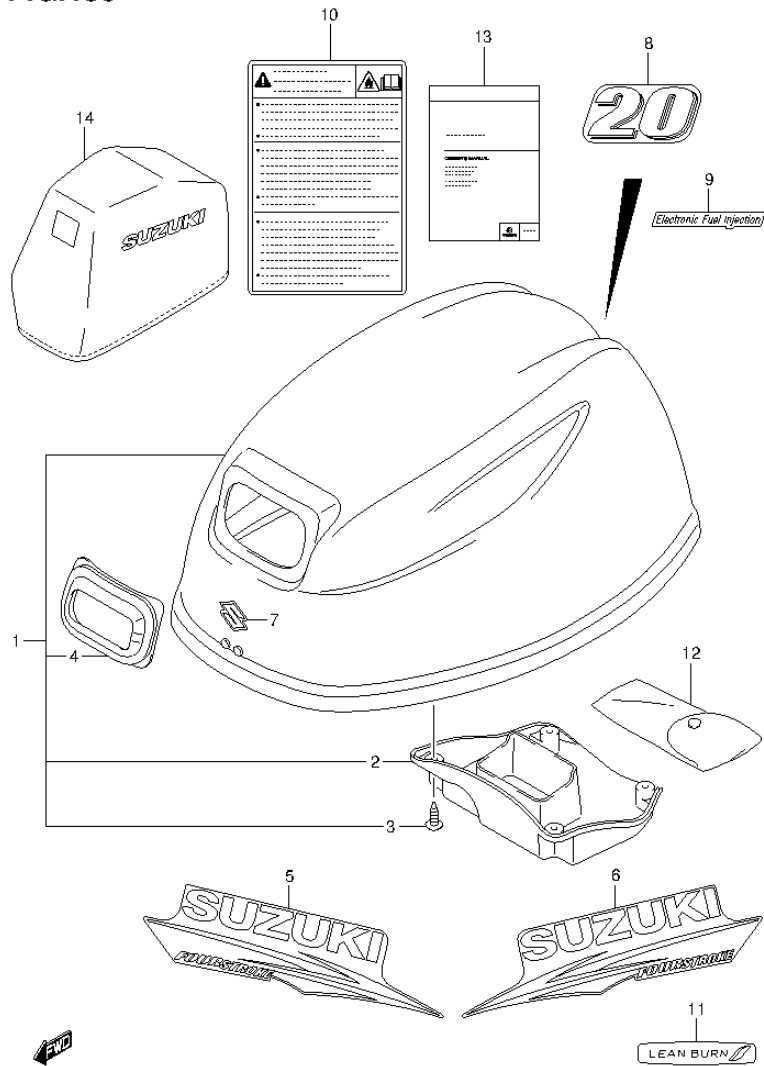


FIG.185 (2-E-7) ENGINE COVER (DF20A P01)

REF NO.	PART NO.	DESCRIPTION	Q'TY	REMARKS
1	61400-89L00-0EP	COVER ASSY, ENGINE (BLACK)	1	
2	61433-89L00	.COVER, AIR INTAKE INNER	1	
3	03542-05169	.SCREW	4	
4	61622-90L00	.SEAL, RECOIL STARTER	1	
5	61443-99J00	STRIPE, ENGINE COVER STBD	1	
6	61453-99J00	STRIPE, ENGINE COVER PORT	1	
7	68111-89L00	EMBLEM (S)	1	
8	61435-89L00	MARK, EMBLEM REAR (20)	1	
9	61446-89L00	DECAL, EFI	1	
10	61458-89L00	LABEL, ENGINE COVER	1	
11	61471-89L00	DECAL, LEAN BURN	1	
12	59800-89L00	TOOL ASSY	1	
13	99011-89L10-055	MANUAL, OWNER'S	1	
14	68110-89L00	COVER, WEATHER	1	OPT

FIG.186

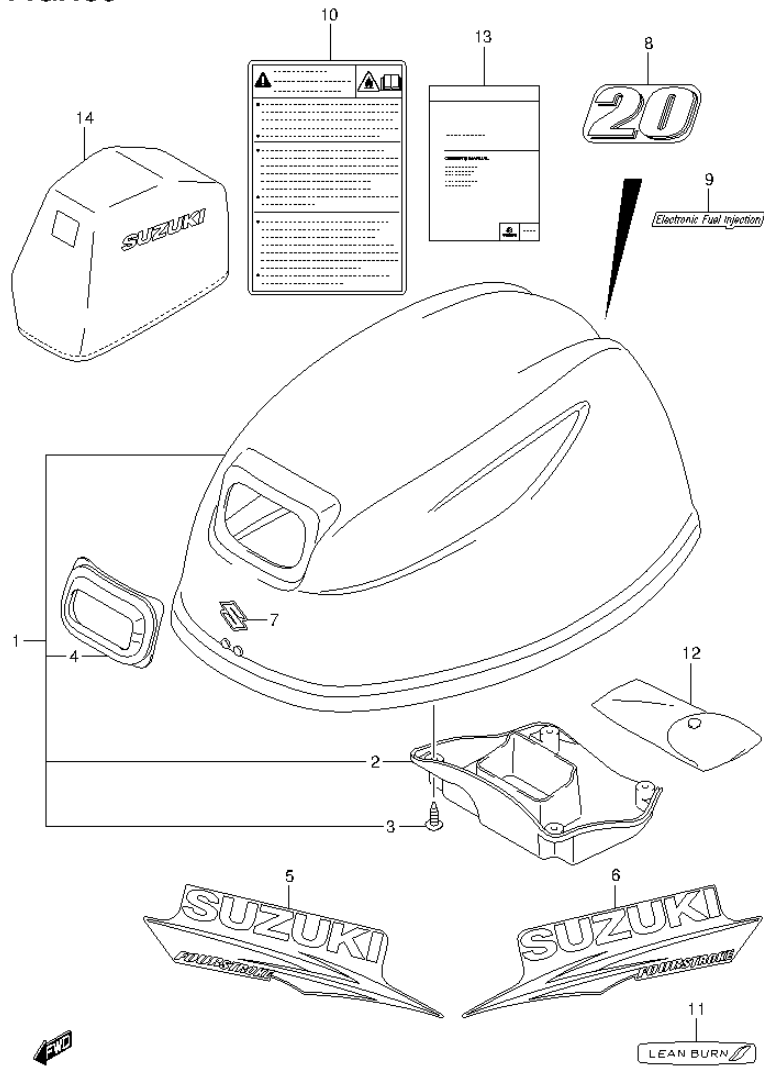


FIG.186 (2-E-8) ENGINE COVER (DF20A P40)

REF NO.	PART NO.	DESCRIPTION	Q'TY	REMARKS
1	61400-89L00-0EP	COVER ASSY, ENGINE (BLACK)	1	
2	61433-89L00	.COVER, AIR INTAKE INNER	1	
3	03542-05169	.SCREW	4	
4	61622-90L00	.SEAL, RECOIL STARTER	1	
5	61443-99J00	STRIPE, ENGINE COVER STBD	1	
6	61453-99J00	STRIPE, ENGINE COVER PORT	1	
7	68111-89L00	EMBLEM (S)	1	
8	61435-89L00	MARK, EMBLEM REAR (20)	1	
9	61446-89L00	DECAL, EFI	1	
10	61458-89L00	LABEL, ENGINE COVER	1	
11	61471-89L00	DECAL, LEAN BURN	1	
12	59800-89L00	TOOL ASSY	1	
13	99011-89L10-055	MANUAL, OWNER'S	1	
14	68110-89L00	COVER, WEATHER	1	OPT



FIG.187

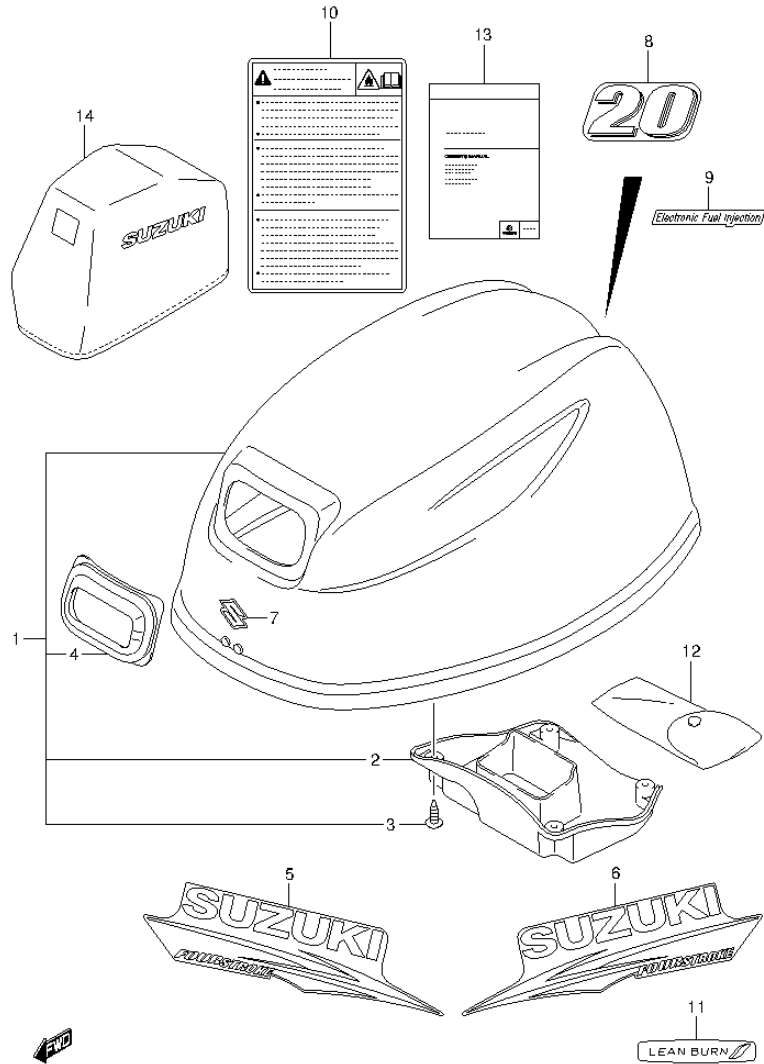


FIG.187 (2-E-9) ENGINE COVER (DF20AR P01)

REF NO.	PART NO.	DESCRIPTION	Q'TY	REMARKS
1	61400-89L00-0EP	COVER ASSY, ENGINE (BLACK)	1	
2	61433-89L00	.COVER, AIR INTAKE INNER	1	
3	03542-05169	.SCREW	4	
4	61622-90L00	.SEAL, RECOIL STARTER	1	
5	61443-99J00	STRIPE, ENGINE COVER STBD	1	
6	61453-99J00	STRIPE, ENGINE COVER PORT	1	
7	68111-89L00	EMBLEM (S)	1	
8	61435-89L00	MARK, EMBLEM REAR (20)	1	
9	61446-89L00	DECAL, EFI	1	
10	61458-89L00	LABEL, ENGINE COVER	1	
11	61471-89L00	DECAL, LEAN BURN	1	
12	59800-89L00	TOOL ASSY	1	
13	99011-89L10-055	MANUAL, OWNER'S	1	
14	68110-89L00	COVER, WEATHER	1	OPT

FIG.188

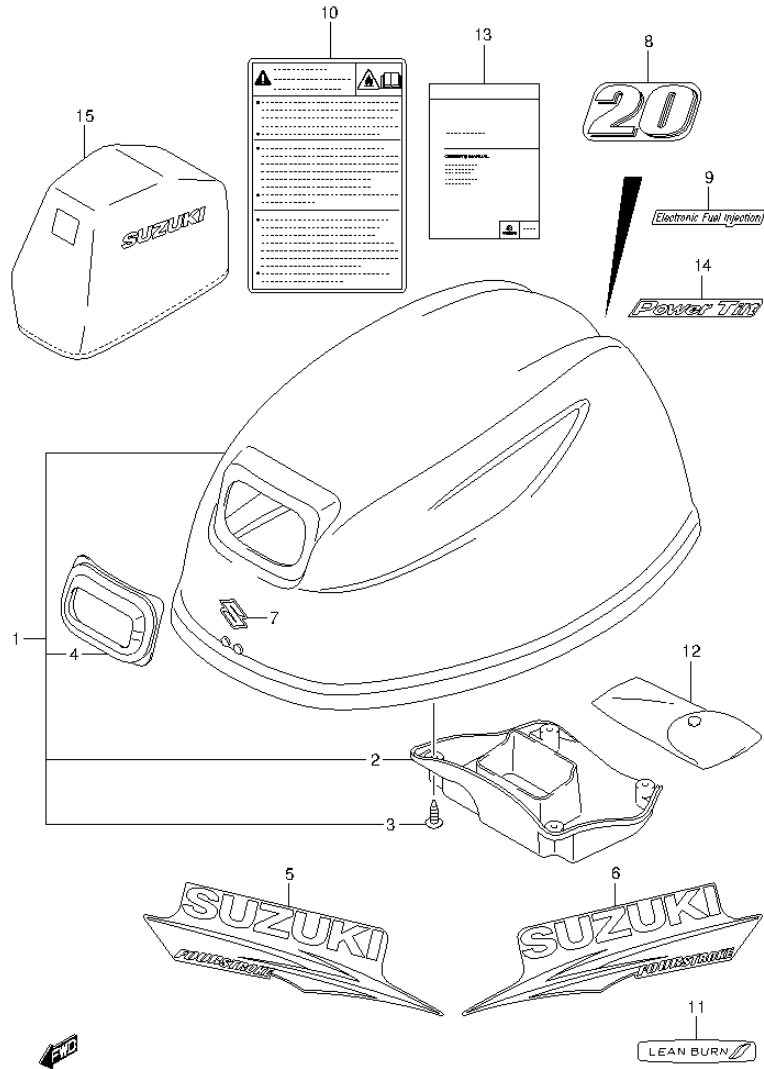


FIG.188 (2-E-10) ENGINE COVER (DF20AT P01)

REF NO.	PART NO.	DESCRIPTION	Q'TY	REMARKS
1	61400-89L00-0EP	COVER ASSY, ENGINE (BLACK)	1	
2	61433-89L00	.COVER, AIR INTAKE INNER	1	
3	03542-05169	.SCREW	4	
4	61622-90L00	.SEAL, RECOIL STARTER	1	
5	61443-99J00	STRIPE, ENGINE COVER STBD	1	
6	61453-99J00	STRIPE, ENGINE COVER PORT	1	
7	68111-89L00	EMBLEM (S)	1	
8	61435-89L00	MARK, EMBLEM REAR (20)	1	
9	61446-89L00	DECAL, EFI	1	
10	61458-89L00	LABEL, ENGINE COVER	1	
11	61471-89L00	DECAL, LEAN BURN	1	
12	59800-89L00	TOOL ASSY	1	
13	99011-89L10-055	MANUAL, OWNER'S	1	
14	61447-94J00	MARK, EMBLEM POWER TILT	1	
15	68110-89L00	COVER, WEATHER	1	OPT

FIG.189

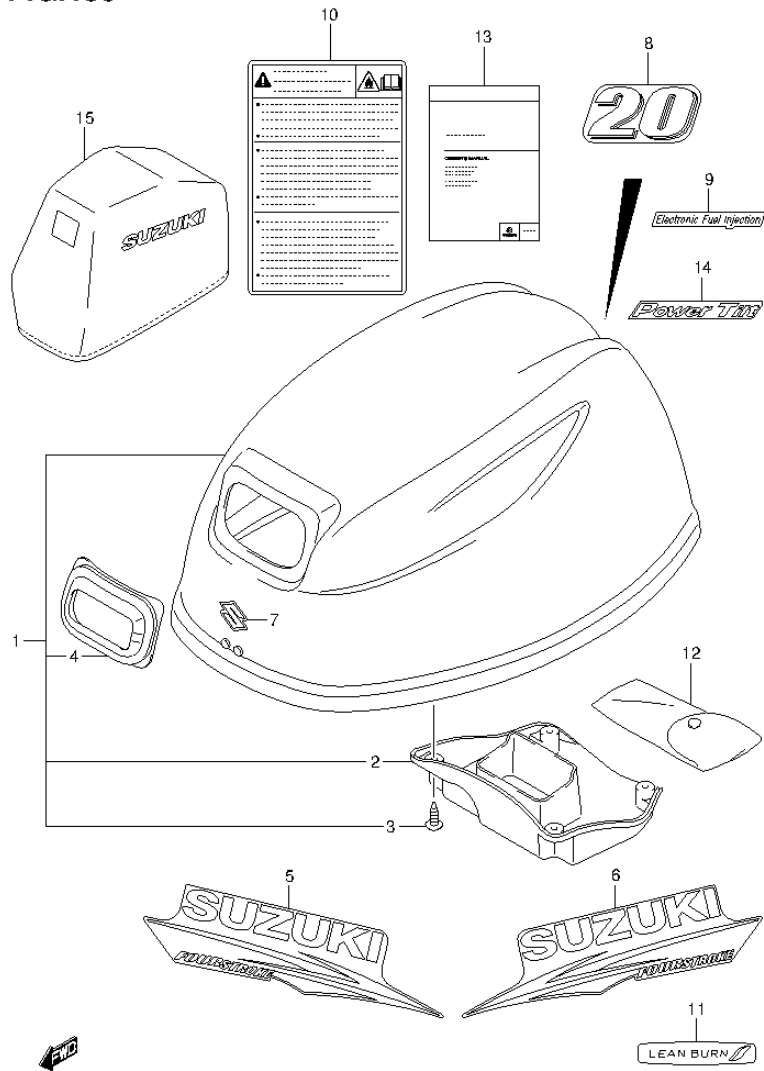
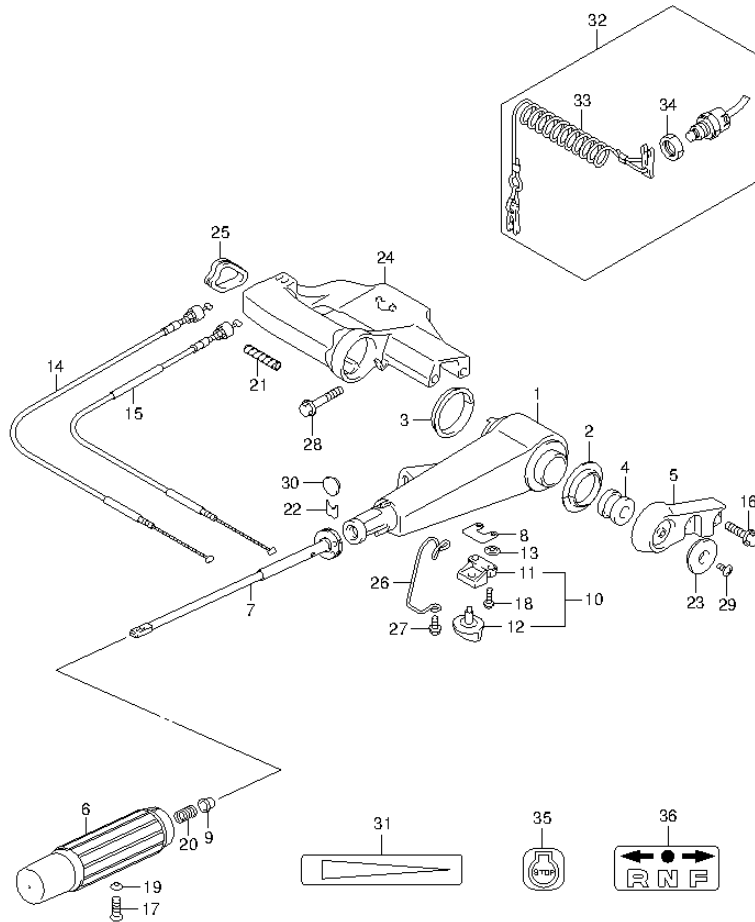


FIG.189 (2-E-11) ENGINE COVER (DF20ATH P01)

REF NO.	PART NO.	DESCRIPTION	Q'TY	REMARKS
1	61400-89L00-0EP	COVER ASSY, ENGINE (BLACK)	1	
2	61433-89L00	.COVER, AIR INTAKE INNER	1	
3	03542-05169	.SCREW	4	
4	61622-90L00	.SEAL, RECOIL STARTER	1	
5	61443-99J00	STRIPE, ENGINE COVER STBD	1	
6	61453-99J00	STRIPE, ENGINE COVER PORT	1	
7	68111-89L00	EMBLEM (S)	1	
8	61435-89L00	MARK, EMBLEM REAR (20)	1	
9	61446-89L00	DECAL, EFI	1	
10	61458-89L00	LABEL, ENGINE COVER	1	
11	61471-89L00	DECAL, LEAN BURN	1	
12	59800-89L00	TOOL ASSY	1	
13	99011-89L10-055	MANUAL, OWNER'S	1	
14	61447-94J00	MARK, EMBLEM POWER TILT	1	
15	68110-89L00	COVER, WEATHER	1	OPT

FIG.190

FIG.190 (2-E-12) TILLER HANDLE (DF9.9B P01)



REF NO.	PART NO.	DESCRIPTION	Q'TY	REMARKS
1	63111-89L00-0EP	HANDLE, TILLER (BLACK)	1	
2	63115-99J10	BUSH, TILLER HANDLE NO.1	1	
3	63115-99J00	BUSH, TILLER HANDLE NO.2	1	
4	63116-99J00	RUBBER, FRICTION	1	
5	63121-99J00-0EP	COVER, TILLER HANDLE (BLACK)	1	
6	63210-89L10	GRIP, HANDLE	1	
7	63220-89L00	ROD, HANDLE	1	
8	63225-94J00	PLATE, HANDLE ROD ADJUSTER	1	
9	63225-93200	BUSH, HANDLE ROD	1	
10	63240-94J10	ADJUSTER SET, HANDLE	1	
11	63241-986B0	.SUPPORT, ROD	1	
12	63244-94J00	.KNOB, ADJUSTER	1	
13	09148-06008	NUT	1	
14	63610-89L00	CABLE ASSY, THROTTLE	1	
15	63610-89L10	CABLE ASSY, THROTTLE	1	
16	09116-08151	BOLT (8X30)	2	
17	09126-06015	SCREW (6X23)	1	
18	09136-05041	SCREW (5X20)	2	
19	09163-06001	LOCK WASHER	1	
20	09440-12027	SPRING	1	
21	33833-91J00	TUBE, THROTTLE CABLE	1	L:250->50
22	63114-99J01	PLATE, WARNING INDICATOR	1	
23	63122-99J00	PROTECTOR, HANDLE COVER	1	
24	63131-99J10-0EP	BRACKET, TILLER HANDLE (BLACK)	1	
25	63133-89L00	GROMMET, TILLER HANDLE BRACKET	1	
26	65793-89L00	HOLDER, FUEL HOSE	1	
27	09116-06225	BOLT (6X15)	1	
28	09116-08155	BOLT (8X45)	2	
29	09125-05042	SCREW (5X10)	1	
30	09250-12006	CAP (OD:20)	1	
31	63215-93110	MARK, HANDLE GRIP	1	

FIG.190

FIG.190 (2-E-13) TILLER HANDLE (DF9.9B P01)

REF NO.	PART NO.	DESCRIPTION	Q'TY	REMARKS
32	37830-89L00	SWITCH ASSY, EMERGENCY	1	
33	37823-97J00	.PLATE, LOCK	1	
34	37826-97J00	.NUT	1	
35	37835-95D00	LABEL, STOP	1	
36	21131-94J00	MARK, CLUTCH SHIFT	1	

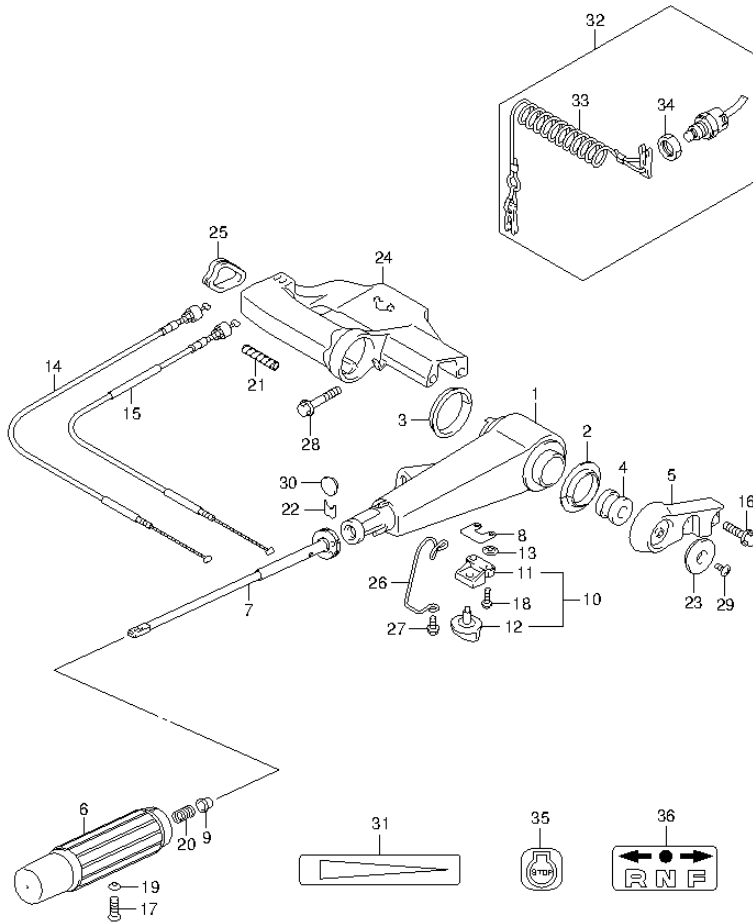
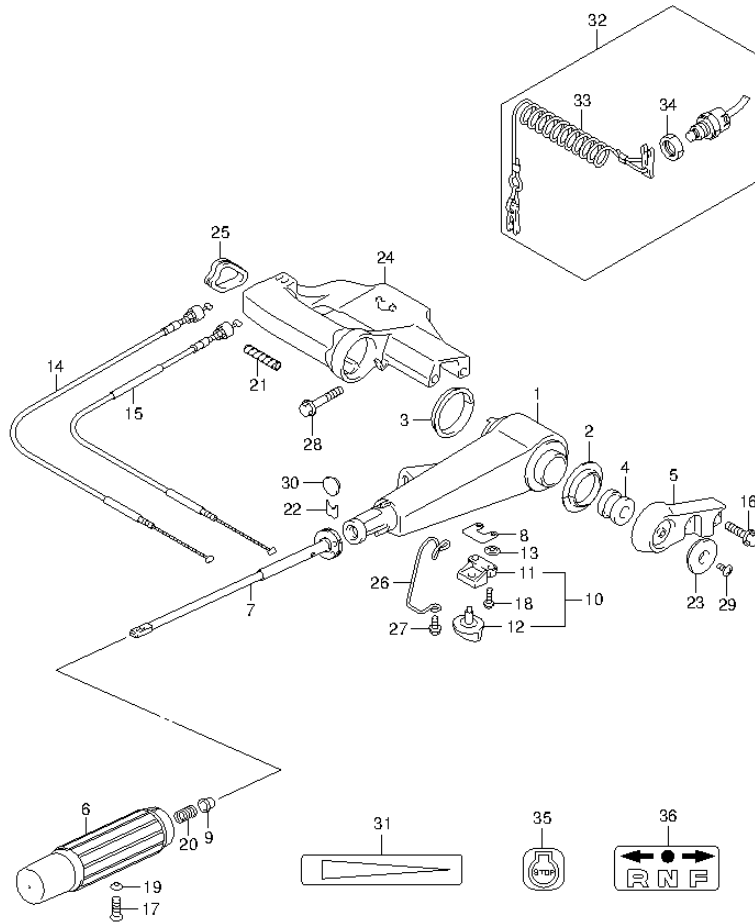


FIG.191

FIG.191 (2-E-14) TILLER HANDLE (DF15A P01)



REF NO.	PART NO.	DESCRIPTION	Q'TY	REMARKS
1	63111-89L00-0EP	HANDLE, TILLER (BLACK)	1	
2	63115-99J10	BUSH, TILLER HANDLE NO.1	1	
3	63115-99J00	BUSH, TILLER HANDLE NO.2	1	
4	63116-99J00	RUBBER, FRICTION	1	
5	63121-99J00-0EP	COVER, TILLER HANDLE (BLACK)	1	
6	63210-89L10	GRIP, HANDLE	1	
7	63220-89L00	ROD, HANDLE	1	
8	63225-94J00	PLATE, HANDLE ROD ADJUSTER	1	
9	63225-93200	BUSH, HANDLE ROD	1	
10	63240-94J10	ADJUSTER SET, HANDLE	1	
11	63241-986B0	.SUPPORT, ROD	1	
12	63244-94J00	.KNOB, ADJUSTER	1	
13	09148-06008	NUT	1	
14	63610-89L00	CABLE ASSY, THROTTLE	1	
15	63610-89L10	CABLE ASSY, THROTTLE	1	
16	09116-08151	BOLT (8X30)	2	
17	09126-06015	SCREW (6X23)	1	
18	09136-05041	SCREW (5X20)	2	
19	09163-06001	LOCK WASHER	1	
20	09440-12027	SPRING	1	
21	33833-91J00	TUBE, THROTTLE CABLE	1	L:250->50
22	63114-99J01	PLATE, WARNING INDICATOR	1	
23	63122-99J00	PROTECTOR, HANDLE COVER	1	
24	63131-99J10-0EP	BRACKET, TILLER HANDLE (BLACK)	1	
25	63133-89L00	GROMMET, TILLER HANDLE BRACKET	1	
26	65793-89L00	HOLDER, FUEL HOSE	1	
27	09116-06225	BOLT (6X15)	1	
28	09116-08155	BOLT (8X45)	2	
29	09125-05042	SCREW (5X10)	1	
30	09250-12006	CAP (OD:20)	1	
31	63215-93110	MARK, HANDLE GRIP	1	

FIG.191

FIG.191 (2-E-15) TILLER HANDLE (DF15A P01)

REF NO.	PART NO.	DESCRIPTION	Q'TY	REMARKS
32	37830-89L00	SWITCH ASSY, EMERGENCY	1	
33	37823-97J00	.PLATE, LOCK	1	
34	37826-97J00	.NUT	1	
35	37835-95D00	LABEL, STOP	1	
36	21131-94J00	MARK, CLUTCH SHIFT	1	

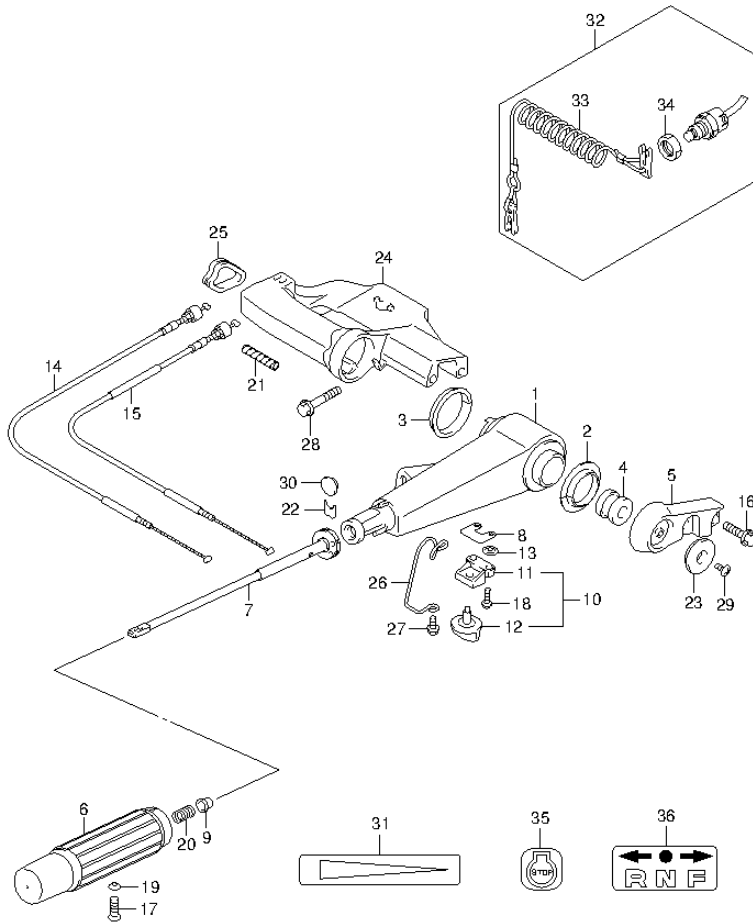
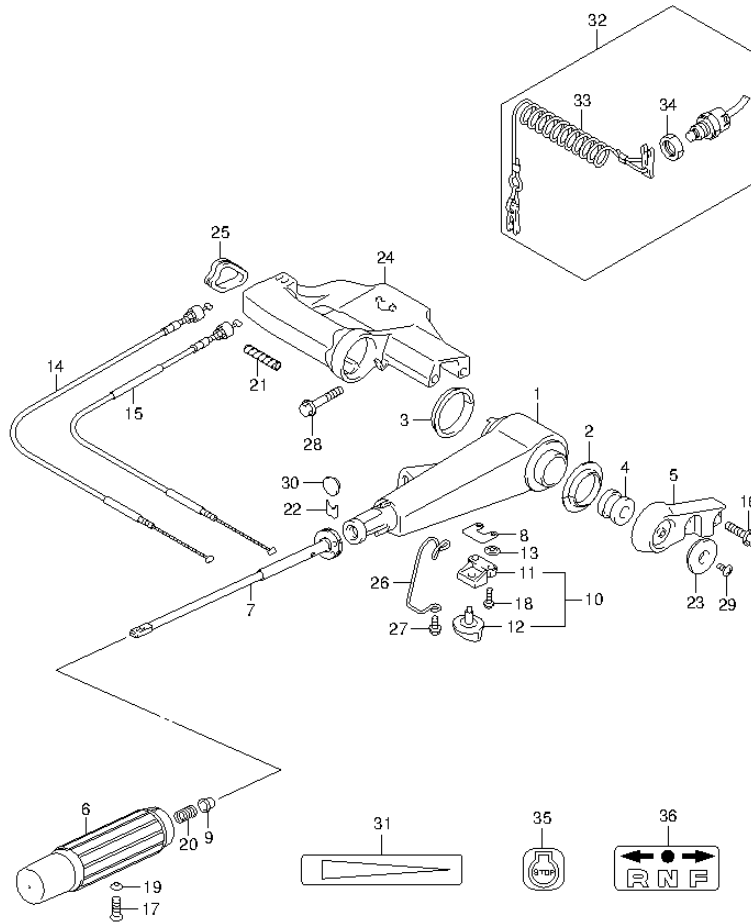


FIG.192

FIG.192 (2-F-2) TILLER HANDLE (DF15ATH P01)



REF NO.	PART NO.	DESCRIPTION	Q'TY	REMARKS
1	63111-89L00-0EP	HANDLE, TILLER (BLACK)	1	
2	63115-99J10	BUSH, TILLER HANDLE NO.1	1	
3	63115-99J00	BUSH, TILLER HANDLE NO.2	1	
4	63116-99J00	RUBBER, FRICTION	1	
5	63121-99J00-0EP	COVER, TILLER HANDLE (BLACK)	1	
6	63210-89L10	GRIP, HANDLE	1	
7	63220-89L00	ROD, HANDLE	1	
8	63225-94J00	PLATE, HANDLE ROD ADJUSTER	1	
9	63225-93200	BUSH, HANDLE ROD	1	
10	63240-94J10	ADJUSTER SET, HANDLE	1	
11	63241-986B0	.SUPPORT, ROD	1	
12	63244-94J00	.KNOB, ADJUSTER	1	
13	09148-06008	NUT	1	
14	63610-89L00	CABLE ASSY, THROTTLE	1	
15	63610-89L10	CABLE ASSY, THROTTLE	1	
16	09116-08151	BOLT (8X30)	2	
17	09126-06015	SCREW (6X23)	1	
18	09136-05041	SCREW (5X20)	2	
19	09163-06001	LOCK WASHER	1	
20	09440-12027	SPRING	1	
21	33833-91J00	TUBE, THROTTLE CABLE	1	L:250->50
22	63114-99J01	PLATE, WARNING INDICATOR	1	
23	63122-99J00	PROTECTOR, HANDLE COVER	1	
24	63131-99J10-0EP	BRACKET, TILLER HANDLE (BLACK)	1	
25	63133-89L00	GROMMET, TILLER HANDLE BRACKET	1	
26	65793-89L00	HOLDER, FUEL HOSE	1	
27	09116-06225	BOLT (6X15)	1	
28	09116-08155	BOLT (8X45)	2	
29	09125-05042	SCREW (5X10)	1	
30	09250-12006	CAP (OD:20)	1	
31	63215-93110	MARK, HANDLE GRIP	1	



FIG.192

FIG.192 (2-F-3) TILLER HANDLE (DF15ATH P01)

REF NO.	PART NO.	DESCRIPTION	Q'TY	REMARKS
32	37830-89L00	SWITCH ASSY, EMERGENCY	1	
33	37823-97J00	.PLATE, LOCK	1	
34	37826-97J00	.NUT	1	
35	37835-95D00	LABEL, STOP	1	
36	21131-94J00	MARK, CLUTCH SHIFT	1	

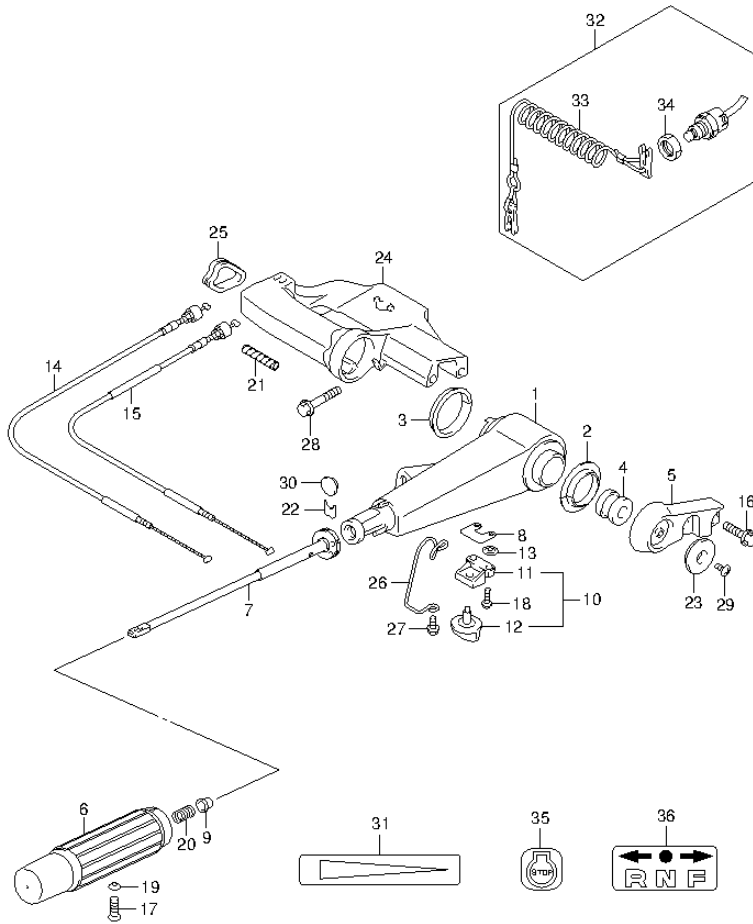
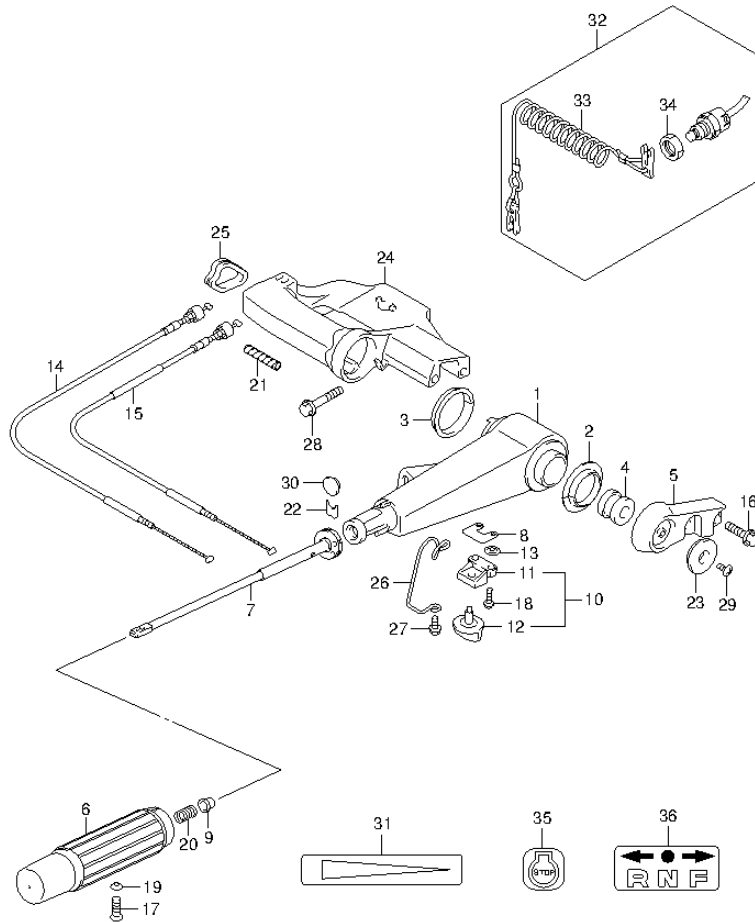


FIG.193

FIG.193 (2-F-4) TILLER HANDLE (DF20A P01)



REF NO.	PART NO.	DESCRIPTION	Q'TY	REMARKS
1	63111-89L00-0EP	HANDLE, TILLER (BLACK)	1	
2	63115-99J10	BUSH, TILLER HANDLE NO.1	1	
3	63115-99J00	BUSH, TILLER HANDLE NO.2	1	
4	63116-99J00	RUBBER, FRICTION	1	
5	63121-99J00-0EP	COVER, TILLER HANDLE (BLACK)	1	
6	63210-89L10	GRIP, HANDLE	1	
7	63220-89L00	ROD, HANDLE	1	
8	63225-94J00	PLATE, HANDLE ROD ADJUSTER	1	
9	63225-93200	BUSH, HANDLE ROD	1	
10	63240-94J10	ADJUSTER SET, HANDLE	1	
11	63241-986B0	.SUPPORT, ROD	1	
12	63244-94J00	.KNOB, ADJUSTER	1	
13	09148-06008	NUT	1	
14	63610-89L00	CABLE ASSY, THROTTLE	1	
15	63610-89L10	CABLE ASSY, THROTTLE	1	
16	09116-08151	BOLT (8X30)	2	
17	09126-06015	SCREW (6X23)	1	
18	09136-05041	SCREW (5X20)	2	
19	09163-06001	LOCK WASHER	1	
20	09440-12027	SPRING	1	
21	33833-91J00	TUBE, THROTTLE CABLE	1	L:250->50
22	63114-99J01	PLATE, WARNING INDICATOR	1	
23	63122-99J00	PROTECTOR, HANDLE COVER	1	
24	63131-99J10-0EP	BRACKET, TILLER HANDLE (BLACK)	1	
25	63133-89L00	GROMMET, TILLER HANDLE BRACKET	1	
26	65793-89L00	HOLDER, FUEL HOSE	1	
27	09116-06225	BOLT (6X15)	1	
28	09116-08155	BOLT (8X45)	2	
29	09125-05042	SCREW (5X10)	1	
30	09250-12006	CAP (OD:20)	1	
31	63215-93110	MARK, HANDLE GRIP	1	

FIG.193

FIG.193 (2-F-5) TILLER HANDLE (DF20A P01)

REF NO.	PART NO.	DESCRIPTION	Q'TY	REMARKS
32	37830-89L00	SWITCH ASSY, EMERGENCY	1	
33	37823-97J00	.PLATE, LOCK	1	
34	37826-97J00	.NUT	1	
35	37835-95D00	LABEL, STOP	1	
36	21131-94J00	MARK, CLUTCH SHIFT	1	

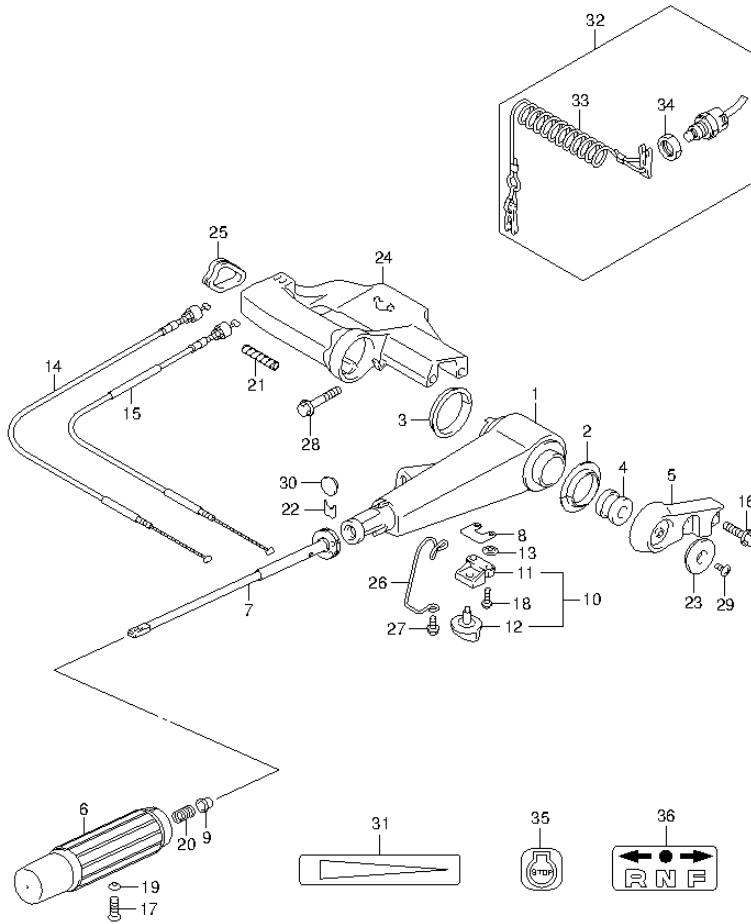
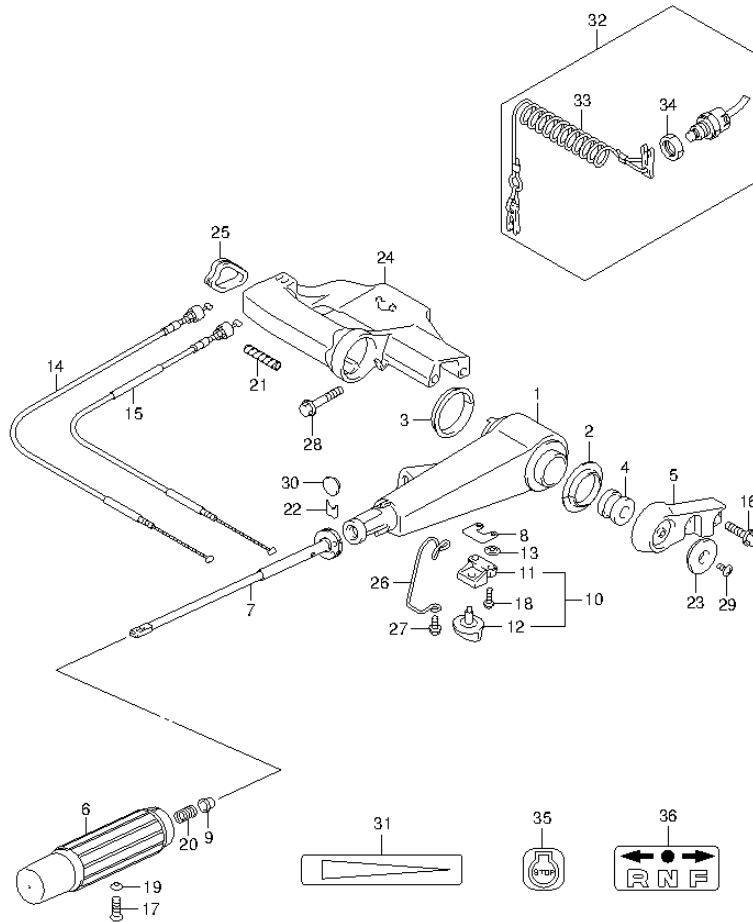


FIG.194

FIG.194 (2-F-6) TILLER HANDLE (DF20A P40)



REF NO.	PART NO.	DESCRIPTION	Q'TY	REMARKS
1	63111-89L00-0EP	HANDLE, TILLER (BLACK)	1	
2	63115-99J10	BUSH, TILLER HANDLE NO.1	1	
3	63115-99J00	BUSH, TILLER HANDLE NO.2	1	
4	63116-99J00	RUBBER, FRICTION	1	
5	63121-99J00-0EP	COVER, TILLER HANDLE (BLACK)	1	
6	63210-89L10	GRIP, HANDLE	1	
7	63220-89L00	ROD, HANDLE	1	
8	63225-94J00	PLATE, HANDLE ROD ADJUSTER	1	
9	63225-93200	BUSH, HANDLE ROD	1	
10	63240-94J10	ADJUSTER SET, HANDLE	1	
11	63241-986B0	.SUPPORT, ROD	1	
12	63244-94J00	.KNOB, ADJUSTER	1	
13	09148-06008	NUT	1	
14	63610-89L00	CABLE ASSY, THROTTLE	1	
15	63610-89L10	CABLE ASSY, THROTTLE	1	
16	09116-08151	BOLT (8X30)	2	
17	09126-06015	SCREW (6X23)	1	
18	09136-05041	SCREW (5X20)	2	
19	09163-06001	LOCK WASHER	1	
20	09440-12027	SPRING	1	
21	33833-91J00	TUBE, THROTTLE CABLE	1	L:250->50
22	63114-99J01	PLATE, WARNING INDICATOR	1	
23	63122-99J00	PROTECTOR, HANDLE COVER	1	
24	63131-99J10-0EP	BRACKET, TILLER HANDLE (BLACK)	1	
25	63133-89L00	GROMMET, TILLER HANDLE BRACKET	1	
26	65793-89L00	HOLDER, FUEL HOSE	1	
27	09116-06225	BOLT (6X15)	1	
28	09116-08155	BOLT (8X45)	2	
29	09125-05042	SCREW (5X10)	1	
30	09250-12006	CAP (OD:20)	1	
31	63215-93110	MARK, HANDLE GRIP	1	

FIG.194

FIG.194 (2-F-7) TILLER HANDLE (DF20A P40)

REF NO.	PART NO.	DESCRIPTION	Q'TY	REMARKS
32	37830-89L00	SWITCH ASSY, EMERGENCY	1	
33	37823-97J00	.PLATE, LOCK	1	
34	37826-97J00	.NUT	1	
35	37835-95D00	LABEL, STOP	1	
36	21131-94J00	MARK, CLUTCH SHIFT	1	

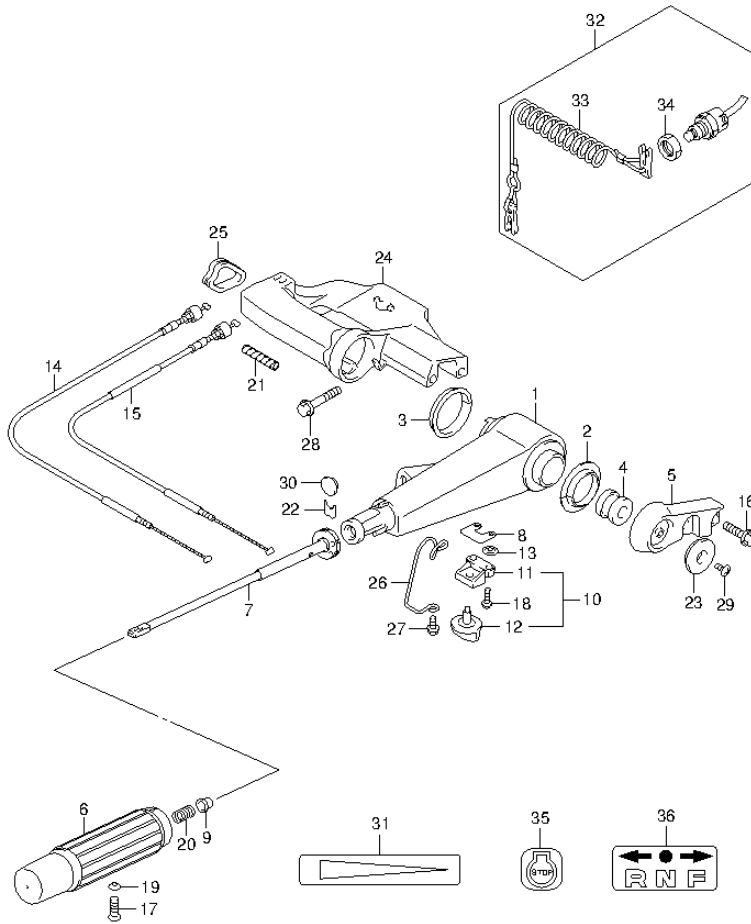


FIG.195

FIG.195 (2-F-8) TILLER HANDLE (DF20ATH P01)

REF NO.	PART NO.	DESCRIPTION	Q'TY	REMARKS
1	63111-89L00-0EP	HANDLE, TILLER (BLACK)	1	
2	63115-99J10	BUSH, TILLER HANDLE NO.1	1	
3	63115-99J00	BUSH, TILLER HANDLE NO.2	1	
4	63116-99J00	RUBBER, FRICTION	1	
5	63121-99J00-0EP	COVER, TILLER HANDLE (BLACK)	1	
6	63210-89L10	GRIP, HANDLE	1	
7	63220-89L00	ROD, HANDLE	1	
8	63225-94J00	PLATE, HANDLE ROD ADJUSTER	1	
9	63225-93200	BUSH, HANDLE ROD	1	
10	63240-94J10	ADJUSTER SET, HANDLE	1	
11	63241-986B0	.SUPPORT, ROD	1	
12	63244-94J00	.KNOB, ADJUSTER	1	
13	09148-06008	NUT	1	
14	63610-89L00	CABLE ASSY, THROTTLE	1	
15	63610-89L10	CABLE ASSY, THROTTLE	1	
16	09116-08151	BOLT (8X30)	2	
17	09126-06015	SCREW (6X23)	1	
18	09136-05041	SCREW (5X20)	2	
19	09163-06001	LOCK WASHER	1	
20	09440-12027	SPRING	1	
21	33833-91J00	TUBE, THROTTLE CABLE	1	L:250->50
22	63114-99J01	PLATE, WARNING INDICATOR	1	
23	63122-99J00	PROTECTOR, HANDLE COVER	1	
24	63131-99J10-0EP	BRACKET, TILLER HANDLE (BLACK)	1	
25	63133-89L00	GROMMET, TILLER HANDLE BRACKET	1	
26	65793-89L00	HOLDER, FUEL HOSE	1	
27	09116-06225	BOLT (6X15)	1	
28	09116-08155	BOLT (8X45)	2	
29	09125-05042	SCREW (5X10)	1	
30	09250-12006	CAP (OD:20)	1	
31	63215-93110	MARK, HANDLE GRIP	1	

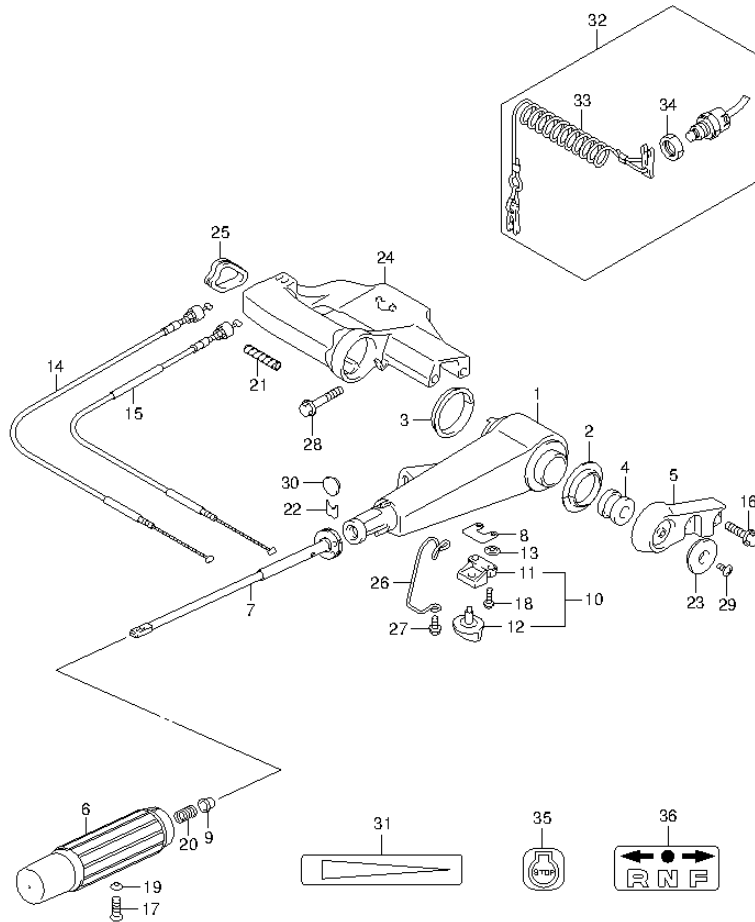


FIG.195

FIG.195 (2-F-9) TILLER HANDLE (DF20ATH P01)

REF NO.	PART NO.	DESCRIPTION	Q'TY	REMARKS
32	37830-89L00	SWITCH ASSY, EMERGENCY	1	
33	37823-97J00	.PLATE, LOCK	1	
34	37826-97J00	.NUT	1	
35	37835-95D00	LABEL, STOP	1	
36	21131-94J00	MARK, CLUTCH SHIFT	1	

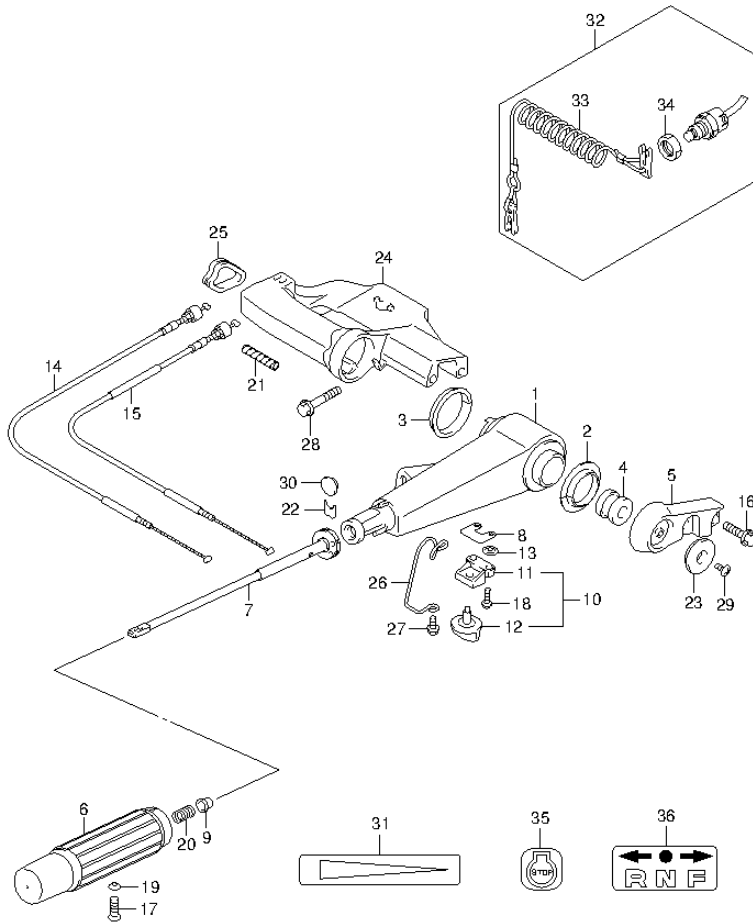


FIG.196

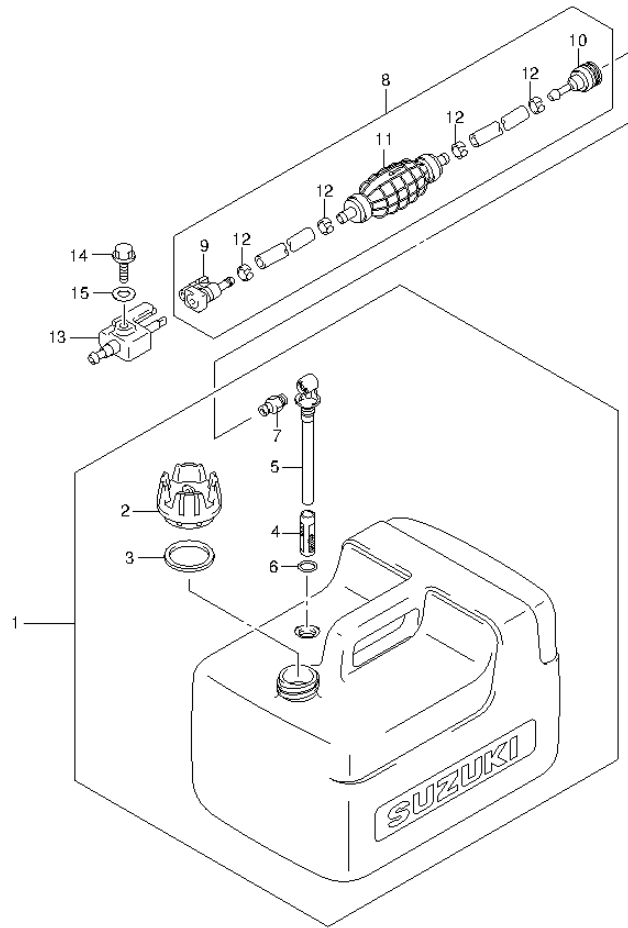


FIG.196 (2-F-10) FUEL TANK

REF NO.	PART NO.	DESCRIPTION	Q'TY	REMARKS
1	65000-89L10	TANK ASSY, FUEL (12L)	1	
2	65520-99100	.CAP ASSY, FUEL TANK	1	
3	65561-95D00	.GASKET, TANK CAP	1	
4	65831-95D00	.FILTER, OUTLET	1	
5	65890-99100	.OUTLET	1	
6	65892-95D00	.O RING	1	
7	65740-95D01	.PLUG, FUEL CONNECTOR	1	
8	65700-89L10	HOSE, FUEL	1	
9	65750-87J11	.SOCKET, FUEL HOSE	1	
10	65750-95500	.SOCKET, FUEL HOSE	1	
11	65770-89L00	.PUMP, SQUEEZE	1	
12	65781-99JM0	.CLIP	4	
13	65720-986L0	PLUG, FUEL CONNECTOR	1	
14	09103-06237	BOLT (6X12.5)	1	
15	09160-06085	WASHER (6.5X15X1)	1	



FIG.197

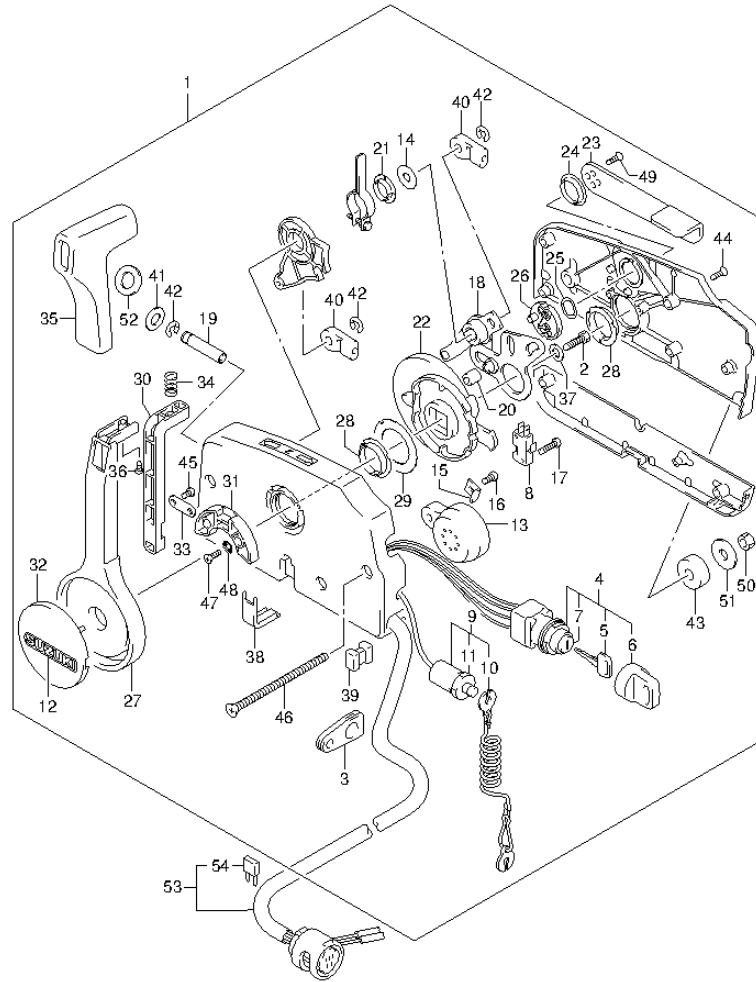


FIG.197 (2-F-11) REMOTE CONTROL (DF9.9BR P01)

REF NO.	PART NO.	DESCRIPTION	Q'TY	REMARKS
1	67200-94J15	REMOTE CONTROL ASSY	1	
2	09100-08232	.BOLT (8X30)	1	
3	36628-92E00	.GROMMET, WIRE HARNESS	1	
4	37110-94J02	.SWITCH ASSY, IGNITION	1	
5-1	37141-99E00	..KEY (931)	2	
5-2	37141-99E10	..KEY (932)	2	
5-3	37141-99E20	..KEY (933)	2	
5-4	37141-99E30	..KEY (934)	2	
5-5	37141-99E40	..KEY (935)	2	
5-6	37141-99E50	..KEY (936)	2	
5-7	37141-99E60	..KEY (937)	2	
5-8	37141-99E70	..KEY (938)	2	
5-9	37141-99E80	..KEY (939)	2	
5-10	37141-99E90	..KEY (940)	2	
5-11	37141-99EA0	..KEY (941)	2	
5-12	37141-99EB0	..KEY (942)	2	
6	37143-99E00	..CAP, KEY	2	
7	37149-93J00	..CAP, CYLINDER BODY	1	
8	37721-93J91	.SWITCH, NEUTRAL	1	
9	37820-93J03	.SWITCH ASSY, EMERGENCY	1	
10	37823-92E01	..PLATE	1	
11	37826-92E00	..NUT	1	
12	68165-16B00-13L	.EMBLEM, SUZUKI (SILVER)	1	
13	38500-93J00	.BUZZER	1	
14	67212-95600	.WASHER	1	
15	67213-92E00	.BRACKET, BUZZER	1	
16	09125-05042	.SCREW (5X10)	1	
17	67296-92E11	.SCREW, NEUTRAL SW	2	
18	67220-95630	.PLATE ASSY	1	
19	67223-99E10	.KNOB, BRAKE ADJUST	1	
20	67229-95600	.ROLLER	1	
21	67232-95600	.BUSH	1	
22	67238-87D00	.GEAR, DRIVE	1	
23	67241-99E10	.LEVER, FREE THROTTLE	1	

FIG.197

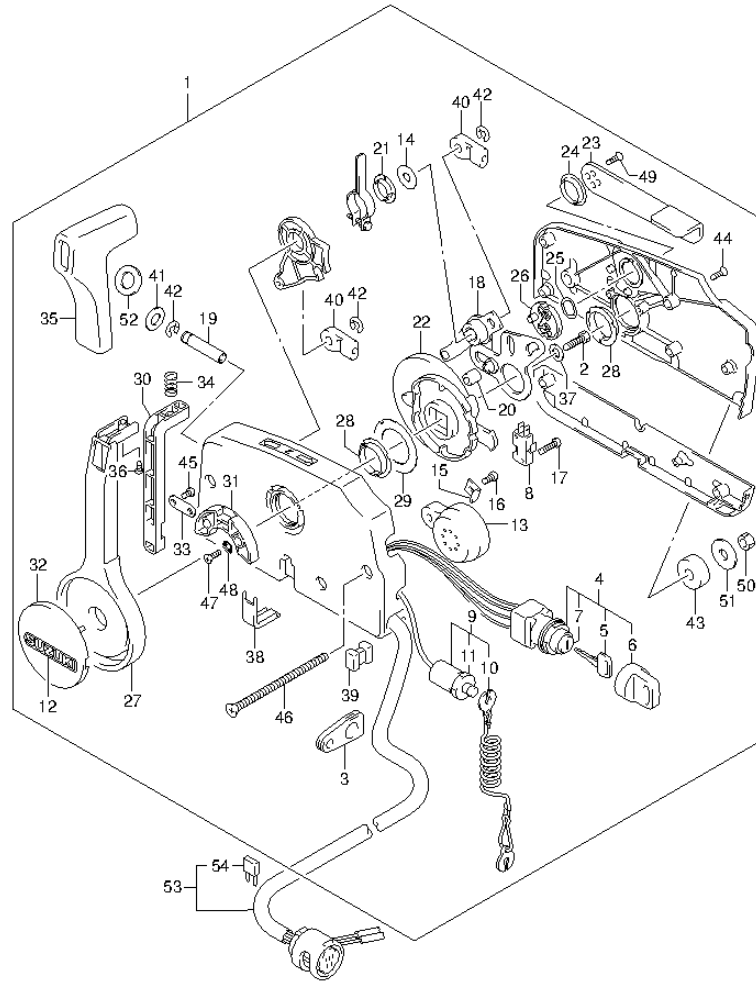


FIG.197 (2-F-12) REMOTE CONTROL (DF9.9BR P01)

REF NO.	PART NO.	DESCRIPTION	Q'TY	REMARKS
24	67243-95600	.BUSH	1	
25	67244-95600	.WASHER, WAVE	1	
26	67245-95600	.DRUM, FREE THROTTLE	1	
27	67251-99E10	.LEVER, HANDLE	1	
28	67252-95600	.BUSH	2	
29	67253-95600	.WASHER	1	
30	67255-99E00	.ARM, LOCK	1	
31	67256-95600	.HOLDER, NEUT LOCK	1	
32	67257-99E00	.CAP, LEVER	1	
33	67258-99E00	.BRACKET, LOCK ARM	1	
34	67259-87D00	.SPRING, NEUTRAL ARM	1	
35	67261-99E00	.GRIP	1	
36	67296-94310	.SCREW	1	
37	67264-95600	.WASHER	1	
38	67267-93J00	.COVER, WIRE	1	
39	67273-95600	.SPACER	1	
40	67275-95600	.END, CABLE	2	
41	67288-92E00	.WASHER, BRAKE ADJ KNOB	1	
42	67292-94300	E RING	3	
43	67294-95600	.SPACER	3	
44	67296-90J00	.SCREW	5	
45	67296-94300	.SCREW	2	
46	67296-95600	.SCREW	3	
47	67296-95610	.SCREW	2	
48	67297-95600	.WASHER	2	
49	09126-05003	.SCREW (5X12)	2	
50	09140-06020	.NUT	3	
51	09160-06104	.WASHER (6.5X24X2)	3	
52	37859-90J00	.SPACER	1	
53	36620-94J01	WIRE ASSY, REMOTE CONTROL	1	
54	09481-10501	.FUSE (10A)	1	

FIG.198

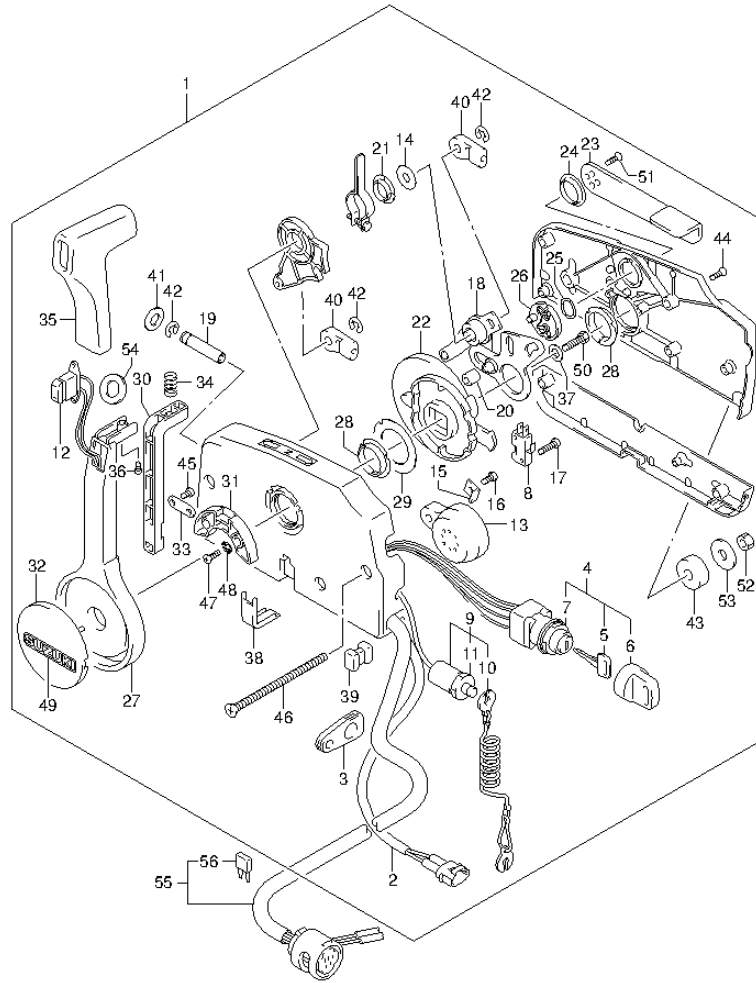


FIG.198 (2-F-13) REMOTE CONTROL (DF9.9BT P01)

REF NO.	PART NO.	DESCRIPTION	Q'TY	REMARKS
1	67200-93J06	REMOTE CONTROL ASSY	1	
2	36646-93J01	..WIRE ASSY, PTT SW ADAPTER	1	
3	36628-92E00	..GROMMET, WIRE HARNESS	1	
4	37110-93J11	..SWITCH ASSY, IGNITION	1	
5-1	37141-99E00	..KEY (931)	2	
5-2	37141-99E10	..KEY (932)	2	
5-3	37141-99E20	..KEY (933)	2	
5-4	37141-99E30	..KEY (934)	2	
5-5	37141-99E40	..KEY (935)	2	
5-6	37141-99E50	..KEY (936)	2	
5-7	37141-99E60	..KEY (937)	2	
5-8	37141-99E70	..KEY (938)	2	
5-9	37141-99E80	..KEY (939)	2	
5-10	37141-99E90	..KEY (940)	2	
5-11	37141-99EA0	..KEY (941)	2	
5-12	37141-99EB0	..KEY (942)	2	
6	37143-99E00	..CAP, KEY	2	
7	37149-93J00	..CAP CYLINDER BODY	1	
8	37721-93J91	..SWITCH, NEUTRAL	1	
9	37820-93J03	..SWITCH ASSY, EMERGENCY	1	
10	37823-92E01	..PLATE	1	
11	37826-92E00	..NUT	1	
12	37850-90J05	..SWITCH ASSY, PTT	1	
13	38500-93J90	..BUZZER	1	
14	67212-95600	..WASHER	1	
15	67213-92E00	..BRACKET, BUZZER	1	
16	09125-05042	..SCREW (5X10)	1	
17	67296-92E11	..SCREW, NEUTRAL SW	2	
18	67220-95630	..PLATE ASSY	1	
19	67223-99E10	..KNOB, BRAKE ADJ	1	
20	67229-95600	..ROLLER	1	
21	67232-95600	..BUSH	1	
22	67238-87D00	..GEAR, DRIVE	1	
23	67241-99E10	..LEVER, FREE THROTTLE	1	

FIG.198

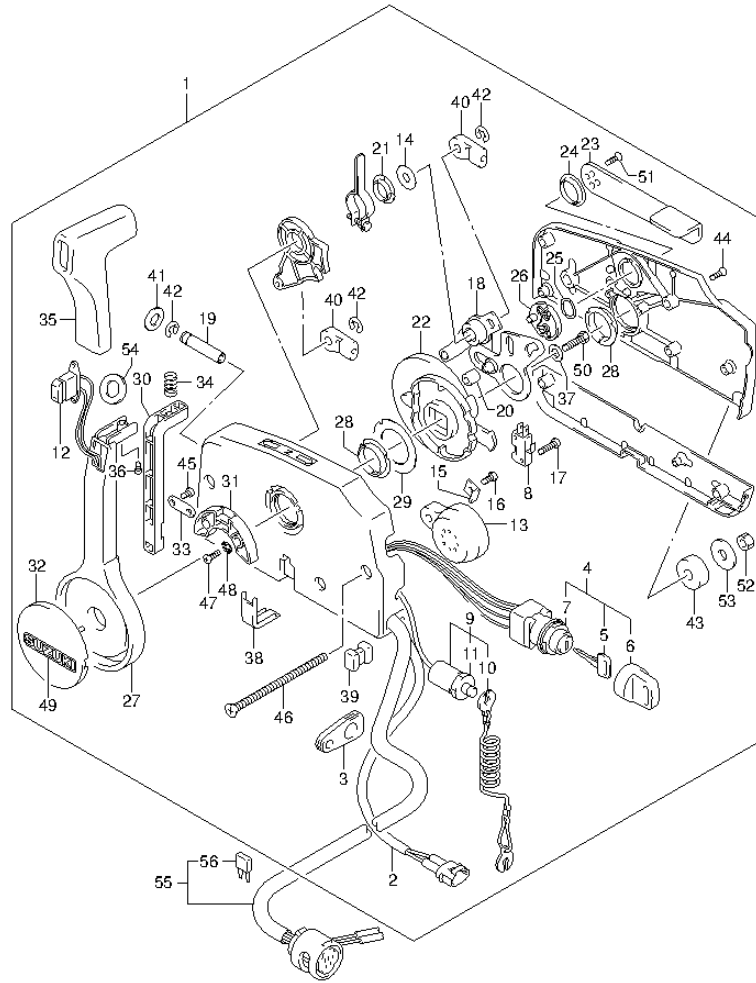


FIG.198 (2-F-14) REMOTE CONTROL (DF9.9BT P01)

REF NO.	PART NO.	DESCRIPTION	Q'TY	REMARKS
24	67243-95600	.BUSH	1	
25	67244-95600	.WASHER, WAVE	1	
26	67245-95600	.DRUM, FREE THROTTLE	1	
27	67251-99E10	.LEVER, HANDLE	1	
28	67252-95600	.BUSH	2	
29	67253-95600	.WASHER	1	
30	67255-99E00	.ARM, LOCK	1	
31	67256-95600	.HOLDER, NEUT LOCK	1	
32	67257-99E00	.CAP, LEVER	1	
33	67258-99E00	.BRACKET, LOCK ARM	1	
34	67259-87D00	.SPRING, NEUTRAL ARM	1	
35	67261-99E00	.GRIP	1	
36	67296-94310	.SCREW	1	
37	67264-95600	.WASHER	1	
38	67267-93J00	.COVER, WIRE	1	
39	67273-95600	.SPACER	1	
40	67275-95600	.END, CABLE	2	
41	67288-92E00	.WASHER, BRAKE ADJ KNOB	1	
42	67292-94300	E RING	3	
43	67294-95600	.SPACER	3	
44	67296-90J00	.SCREW	5	
45	67296-94300	.SCREW	2	
46	67296-95600	.SCREW	3	
47	67296-95610	.SCREW	2	
48	67297-95600	.WASHER	2	
49	68165-16B00-13L	.EMBLEM (SILVER)	1	
50	09100-08232	.BOLT (8X30)	1	
51	09126-05003	.SCREW (5X12)	2	
52	09140-06020	.NUT	3	
53	09160-06104	.WASHER (6.5X24X2)	3	
54	37859-90J00	.SPACER	1	
55	36620-93J02	WIRE ASSY, REMOTE CONTROL	1	
56	09481-10501	.FUSE (10A)	1	

FIG.199

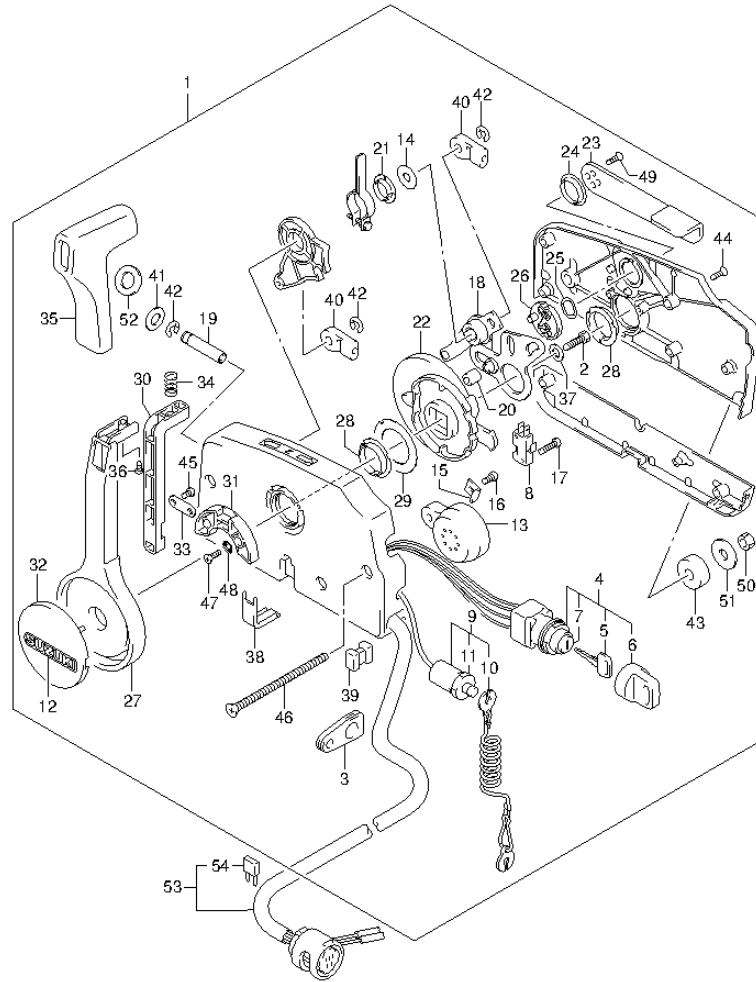


FIG.199 (2-F-15) REMOTE CONTROL (DF15AR P01)

REF NO.	PART NO.	DESCRIPTION	Q'TY	REMARKS
1	67200-94J15	REMOTE CONTROL ASSY	1	
2	09100-08232	.BOLT (8X30)	1	
3	36628-92E00	.GROMMET, WIRE HARNESS	1	
4	37110-94J02	.SWITCH ASSY, IGNITION	1	
5-1	37141-99E00	..KEY (931)	2	
5-2	37141-99E10	..KEY (932)	2	
5-3	37141-99E20	..KEY (933)	2	
5-4	37141-99E30	..KEY (934)	2	
5-5	37141-99E40	..KEY (935)	2	
5-6	37141-99E50	..KEY (936)	2	
5-7	37141-99E60	..KEY (937)	2	
5-8	37141-99E70	..KEY (938)	2	
5-9	37141-99E80	..KEY (939)	2	
5-10	37141-99E90	..KEY (940)	2	
5-11	37141-99EA0	..KEY (941)	2	
5-12	37141-99EB0	..KEY (942)	2	
6	37143-99E00	..CAP, KEY	2	
7	37149-93J00	..CAP, CYLINDER BODY	1	
8	37721-93J91	.SWITCH, NEUTRAL	1	
9	37820-93J03	.SWITCH ASSY, EMERGENCY	1	
10	37823-92E01	..PLATE	1	
11	37826-92E00	..NUT	1	
12	68165-16B00-13L	.EMBLEM, SUZUKI (SILVER)	1	
13	38500-93J00	.BUZZER	1	
14	67212-95600	.WASHER	1	
15	67213-92E00	.BRACKET, BUZZER	1	
16	09125-05042	.SCREW (5X10)	1	
17	67296-92E11	.SCREW, NEUTRAL SW	2	
18	67220-95630	.PLATE ASSY	1	
19	67223-99E10	.KNOB, BRAKE ADJUST	1	
20	67229-95600	.ROLLER	1	
21	67232-95600	.BUSH	1	
22	67238-87D00	.GEAR, DRIVE	1	
23	67241-99E10	.LEVER, FREE THROTTLE	1	

FIG.199

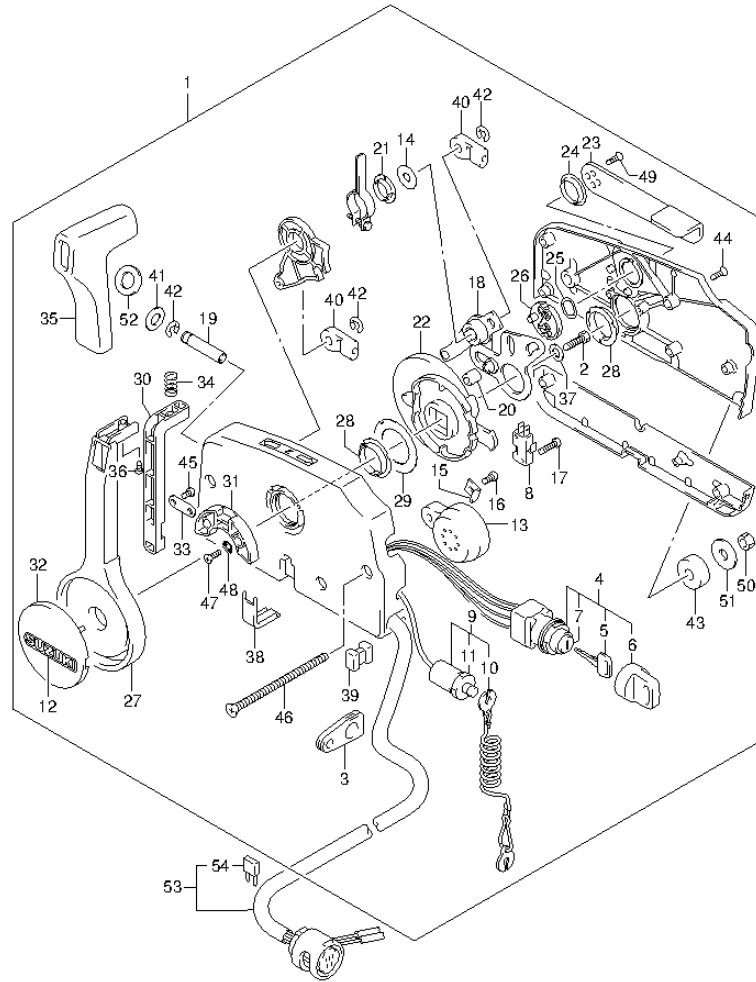


FIG.199 (2-G-2) REMOTE CONTROL (DF15AR P01)

REF NO.	PART NO.	DESCRIPTION	Q'TY	REMARKS
24	67243-95600	.BUSH	1	
25	67244-95600	.WASHER, WAVE	1	
26	67245-95600	.DRUM, FREE THROTTLE	1	
27	67251-99E10	.LEVER, HANDLE	1	
28	67252-95600	.BUSH	2	
29	67253-95600	.WASHER	1	
30	67255-99E00	.ARM, LOCK	1	
31	67256-95600	.HOLDER, NEUT LOCK	1	
32	67257-99E00	.CAP, LEVER	1	
33	67258-99E00	.BRACKET, LOCK ARM	1	
34	67259-87D00	.SPRING, NEUTRAL ARM	1	
35	67261-99E00	.GRIP	1	
36	67296-94310	.SCREW	1	
37	67264-95600	.WASHER	1	
38	67267-93J00	.COVER, WIRE	1	
39	67273-95600	.SPACER	1	
40	67275-95600	.END, CABLE	2	
41	67288-92E00	.WASHER, BRAKE ADJ KNOB	1	
42	67292-94300	E RING	3	
43	67294-95600	.SPACER	3	
44	67296-90J00	.SCREW	5	
45	67296-94300	.SCREW	2	
46	67296-95600	.SCREW	3	
47	67296-95610	.SCREW	2	
48	67297-95600	.WASHER	2	
49	09126-05003	.SCREW (5X12)	2	
50	09140-06020	.NUT	3	
51	09160-06104	.WASHER (6.5X24X2)	3	
52	37859-90J00	.SPACER	1	
53	36620-94J01	WIRE ASSY, REMOTE CONTROL	1	
54	09481-10501	.FUSE (10A)	1	

FIG.200

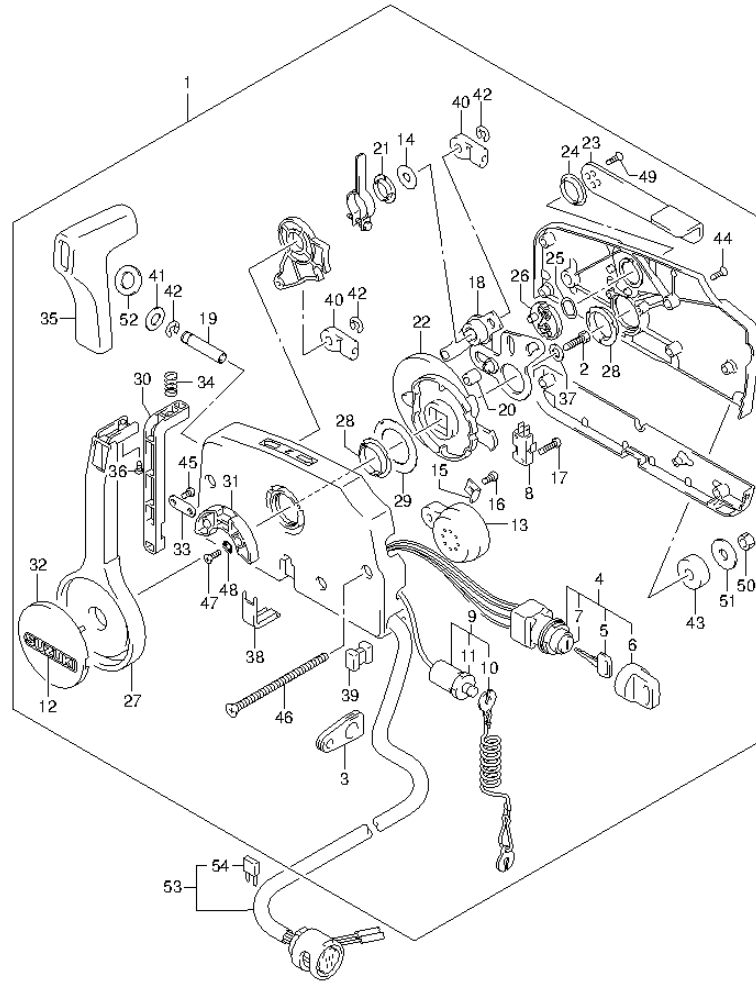


FIG.200 (2-G-3) REMOTE CONTROL (DF20AR P01)

REF NO.	PART NO.	DESCRIPTION	Q'TY	REMARKS
1	67200-94J15	REMOTE CONTROL ASSY	1	
2	09100-08232	.BOLT (8X30)	1	
3	36628-92E00	.GROMMET, WIRE HARNESS	1	
4	37110-94J02	.SWITCH ASSY, IGNITION	1	
5-1	37141-99E00	..KEY (931)	2	
5-2	37141-99E10	..KEY (932)	2	
5-3	37141-99E20	..KEY (933)	2	
5-4	37141-99E30	..KEY (934)	2	
5-5	37141-99E40	..KEY (935)	2	
5-6	37141-99E50	..KEY (936)	2	
5-7	37141-99E60	..KEY (937)	2	
5-8	37141-99E70	..KEY (938)	2	
5-9	37141-99E80	..KEY (939)	2	
5-10	37141-99E90	..KEY (940)	2	
5-11	37141-99EA0	..KEY (941)	2	
5-12	37141-99EB0	..KEY (942)	2	
6	37143-99E00	..CAP, KEY	2	
7	37149-93J00	..CAP, CYLINDER BODY	1	
8	37721-93J91	.SWITCH, NEUTRAL	1	
9	37820-93J03	.SWITCH ASSY, EMERGENCY	1	
10	37823-92E01	..PLATE	1	
11	37826-92E00	..NUT	1	
12	68165-16B00-13L	.EMBLEM, SUZUKI (SILVER)	1	
13	38500-93J00	.BUZZER	1	
14	67212-95600	.WASHER	1	
15	67213-92E00	.BRACKET, BUZZER	1	
16	09125-05042	.SCREW (5X10)	1	
17	67296-92E11	.SCREW, NEUTRAL SW	2	
18	67220-95630	.PLATE ASSY	1	
19	67223-99E10	.KNOB, BRAKE ADJUST	1	
20	67229-95600	.ROLLER	1	
21	67232-95600	.BUSH	1	
22	67238-87D00	.GEAR, DRIVE	1	
23	67241-99E10	.LEVER, FREE THROTTLE	1	

FIG.200

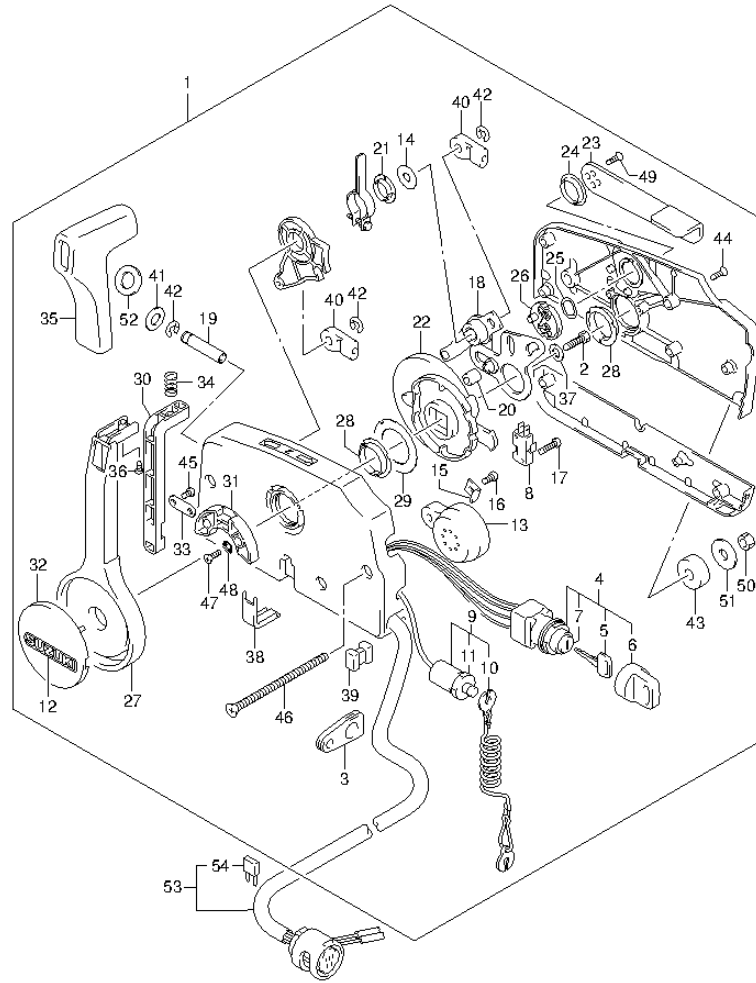


FIG.200 (2-G-4) REMOTE CONTROL (DF20AR P01)

REF NO.	PART NO.	DESCRIPTION	Q'TY	REMARKS
24	67243-95600	.BUSH	1	
25	67244-95600	.WASHER, WAVE	1	
26	67245-95600	.DRUM, FREE THROTTLE	1	
27	67251-99E10	.LEVER, HANDLE	1	
28	67252-95600	.BUSH	2	
29	67253-95600	.WASHER	1	
30	67255-99E00	.ARM, LOCK	1	
31	67256-95600	.HOLDER, NEUT LOCK	1	
32	67257-99E00	.CAP, LEVER	1	
33	67258-99E00	.BRACKET, LOCK ARM	1	
34	67259-87D00	.SPRING, NEUTRAL ARM	1	
35	67261-99E00	.GRIP	1	
36	67296-94310	.SCREW	1	
37	67264-95600	.WASHER	1	
38	67267-93J00	.COVER, WIRE	1	
39	67273-95600	.SPACER	1	
40	67275-95600	.END, CABLE	2	
41	67288-92E00	.WASHER, BRAKE ADJ KNOB	1	
42	67292-94300	E RING	3	
43	67294-95600	.SPACER	3	
44	67296-90J00	.SCREW	5	
45	67296-94300	.SCREW	2	
46	67296-95600	.SCREW	3	
47	67296-95610	.SCREW	2	
48	67297-95600	.WASHER	2	
49	09126-05003	.SCREW (5X12)	2	
50	09140-06020	.NUT	3	
51	09160-06104	.WASHER (6.5X24X2)	3	
52	37859-90J00	.SPACER	1	
53	36620-94J01	WIRE ASSY, REMOTE CONTROL	1	
54	09481-10501	.FUSE (10A)	1	



FIG.201

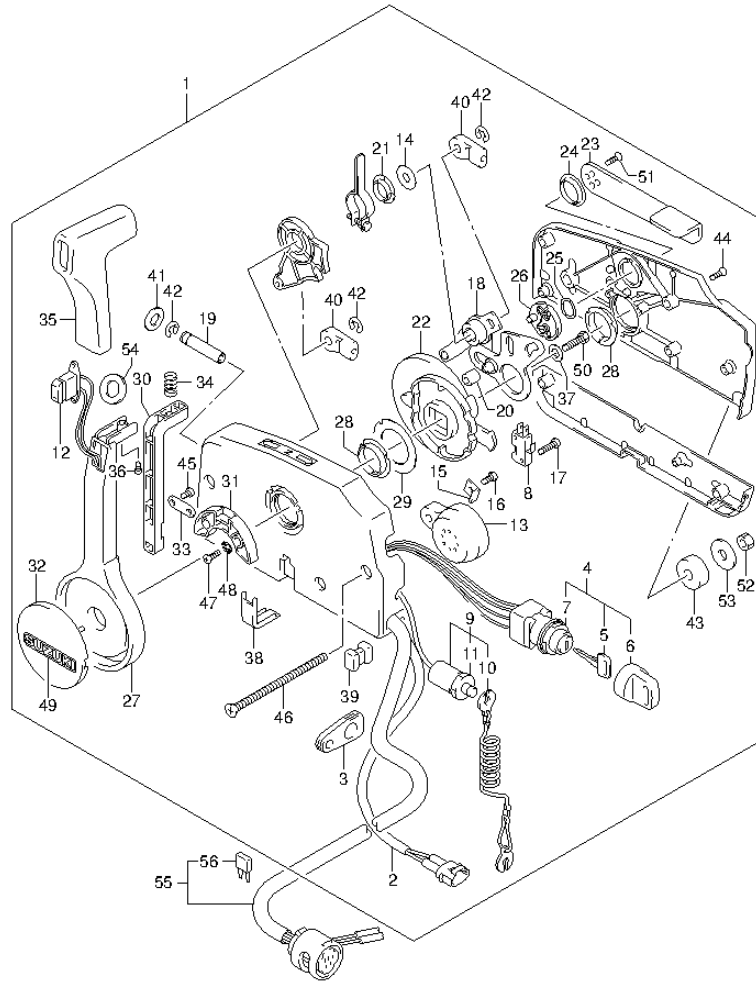


FIG.201 (2-G-5) REMOTE CONTROL (DF20AT P01)

REF NO.	PART NO.	DESCRIPTION	Q'TY	REMARKS
1	67200-93J06	REMOTE CONTROL ASSY	1	
2	36646-93J01	..WIRE ASSY, PTT SW ADAPTER	1	
3	36628-92E00	..GROMMET, WIRE HARNESS	1	
4	37110-93J11	..SWITCH ASSY, IGNITION	1	
5-1	37141-99E00	..KEY (931)	2	
5-2	37141-99E10	..KEY (932)	2	
5-3	37141-99E20	..KEY (933)	2	
5-4	37141-99E30	..KEY (934)	2	
5-5	37141-99E40	..KEY (935)	2	
5-6	37141-99E50	..KEY (936)	2	
5-7	37141-99E60	..KEY (937)	2	
5-8	37141-99E70	..KEY (938)	2	
5-9	37141-99E80	..KEY (939)	2	
5-10	37141-99E90	..KEY (940)	2	
5-11	37141-99EA0	..KEY (941)	2	
5-12	37141-99EB0	..KEY (942)	2	
6	37143-99E00	..CAP, KEY	2	
7	37149-93J00	..CAP CYLINDER BODY	1	
8	37721-93J91	..SWITCH, NEUTRAL	1	
9	37820-93J03	..SWITCH ASSY, EMERGENCY	1	
10	37823-92E01	..PLATE	1	
11	37826-92E00	..NUT	1	
12	37850-90J05	..SWITCH ASSY, PTT	1	
13	38500-93J90	..BUZZER	1	
14	67212-95600	..WASHER	1	
15	67213-92E00	..BRACKET, BUZZER	1	
16	09125-05042	..SCREW (5X10)	1	
17	67296-92E11	..SCREW, NEUTRAL SW	2	
18	67220-95630	..PLATE ASSY	1	
19	67223-99E10	..KNOB, BRAKE ADJ	1	
20	67229-95600	..ROLLER	1	
21	67232-95600	..BUSH	1	
22	67238-87D00	..GEAR, DRIVE	1	
23	67241-99E10	..LEVER, FREE THROTTLE	1	

FIG.201

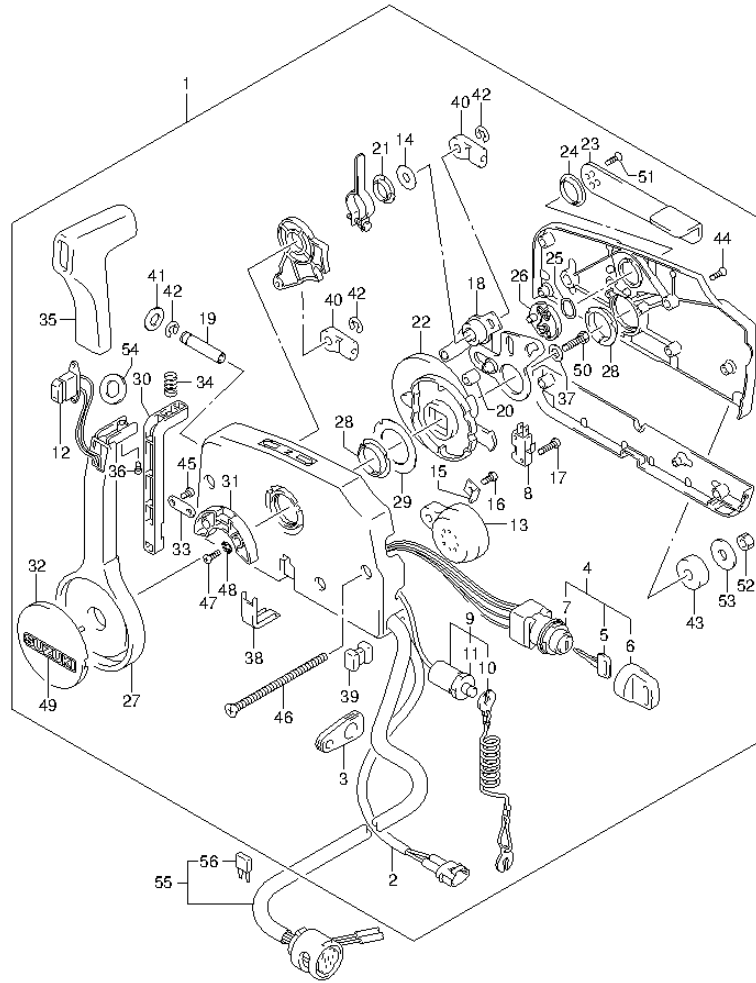


FIG.201 (2-G-6) REMOTE CONTROL (DF20AT P01)

REF NO.	PART NO.	DESCRIPTION	Q'TY	REMARKS
24	67243-95600	.BUSH	1	
25	67244-95600	.WASHER, WAVE	1	
26	67245-95600	.DRUM, FREE THROTTLE	1	
27	67251-99E10	.LEVER, HANDLE	1	
28	67252-95600	.BUSH	2	
29	67253-95600	.WASHER	1	
30	67255-99E00	.ARM, LOCK	1	
31	67256-95600	.HOLDER, NEUT LOCK	1	
32	67257-99E00	.CAP, LEVER	1	
33	67258-99E00	.BRACKET, LOCK ARM	1	
34	67259-87D00	.SPRING, NEUTRAL ARM	1	
35	67261-99E00	.GRIP	1	
36	67296-94310	.SCREW	1	
37	67264-95600	.WASHER	1	
38	67267-93J00	.COVER, WIRE	1	
39	67273-95600	.SPACER	1	
40	67275-95600	.END, CABLE	2	
41	67288-92E00	.WASHER, BRAKE ADJ KNOB	1	
42	67292-94300	E RING	3	
43	67294-95600	.SPACER	3	
44	67296-90J00	.SCREW	5	
45	67296-94300	.SCREW	2	
46	67296-95600	.SCREW	3	
47	67296-95610	.SCREW	2	
48	67297-95600	.WASHER	2	
49	68165-16B00-13L	.EMBLEM (SILVER)	1	
50	09100-08232	.BOLT (8X30)	1	
51	09126-05003	.SCREW (5X12)	2	
52	09140-06020	.NUT	3	
53	09160-06104	.WASHER (6.5X24X2)	3	
54	37859-90J00	.SPACER	1	
55	36620-93J02	WIRE ASSY, REMOTE CONTROL	1	
56	09481-10501	.FUSE (10A)	1	

FIG.202

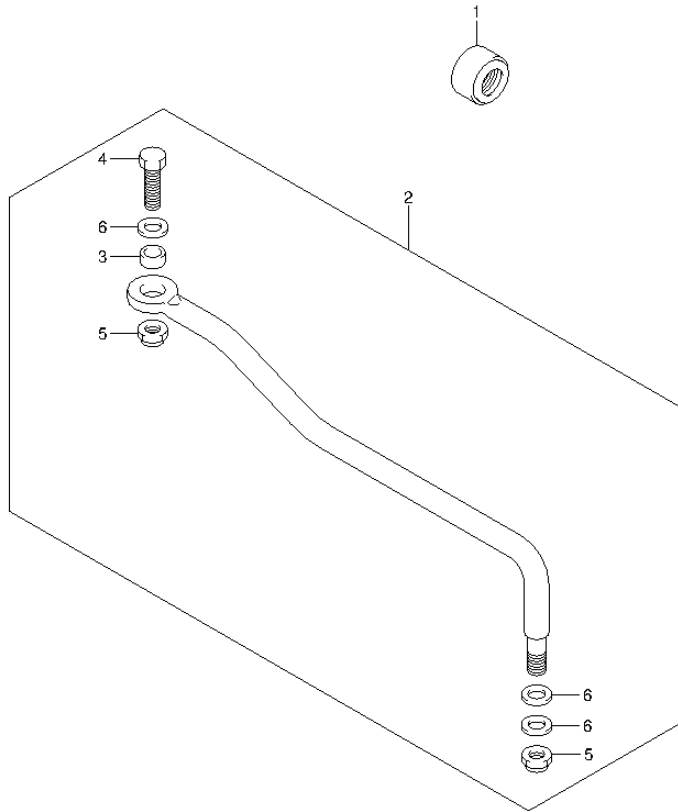


FIG.202 (2-G-7) DRAG LINK (DF9.9BR P01)

REF NO.	PART NO.	DESCRIPTION	Q'TY	REMARKS
1	41161-94400	SEAL, STEERING CABLE	1	
2	67701-99J01	LINK ASSY, DRAG	1	
3	67721-89J00	.SPACER	1	
4	67725-99J00	.BOLT	1	
5	67726-99E00	.NUT	2	
6	67728-99E00	.WASHER	3	



FIG.203

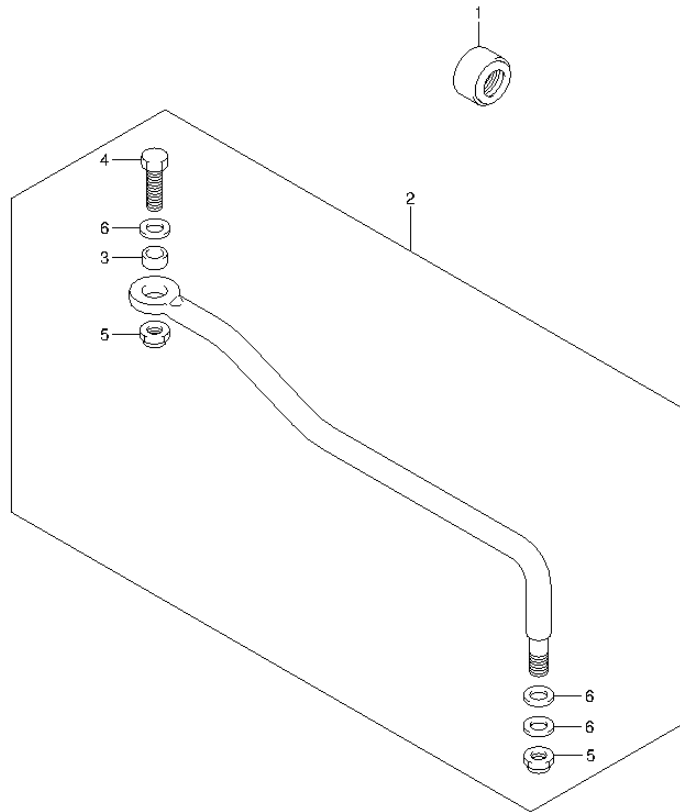
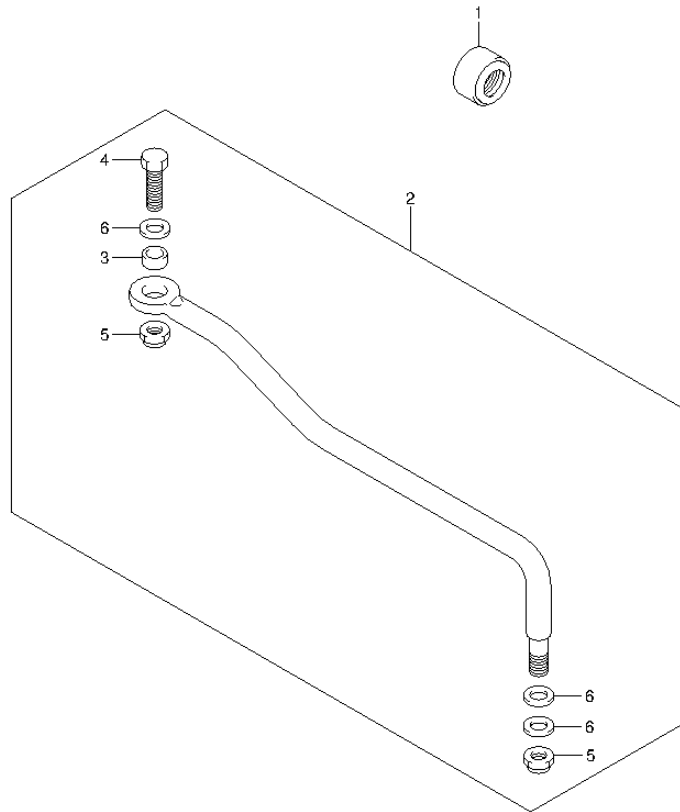


FIG.203 (2-G-8) DRAG LINK (DF9.9BT P01)

REF NO.	PART NO.	DESCRIPTION	Q'TY	REMARKS
1	41161-94400	SEAL, STEERING CABLE	1	
2	67701-99J01	LINK ASSY, DRAG	1	
3	67721-89J00	.SPACER	1	
4	67725-99J00	.BOLT	1	
5	67726-99E00	.NUT	2	
6	67728-99E00	.WASHER	3	



**FIG.204**



**FIG.204 (2-G-9) DRAG LINK (DF15AR P01)**

REF NO.	PART NO.	DESCRIPTION	Q'TY	REMARKS
1	41161-94400	SEAL, STEERING CABLE	1	
2	67701-99J01	LINK ASSY, DRAG	1	
3	67721-89J00	.SPACER	1	
4	67725-99J00	.BOLT	1	
5	67726-99E00	.NUT	2	
6	67728-99E00	.WASHER	3	



FIG.205

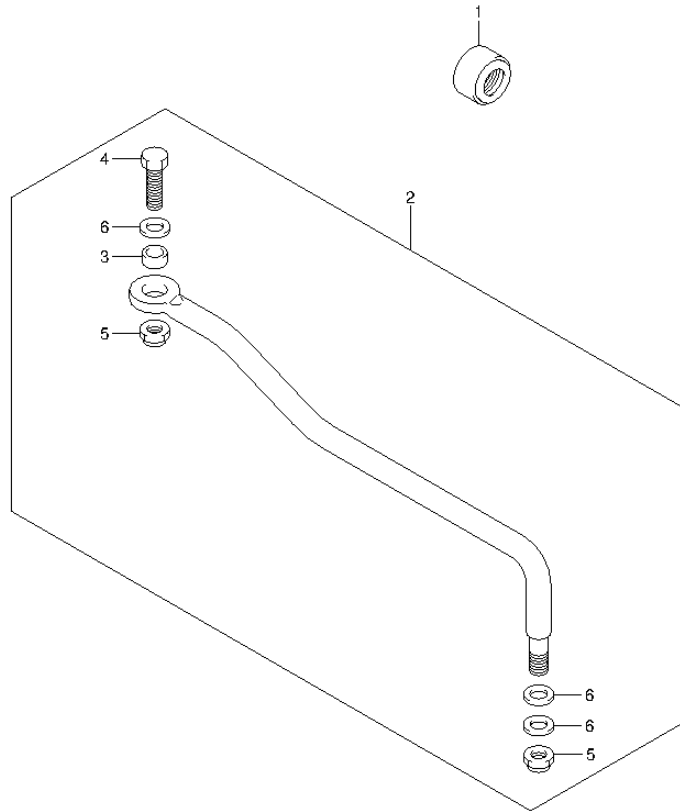


FIG.205 (2-G-10) DRAG LINK (DF20AR P01)

REF NO.	PART NO.	DESCRIPTION	Q'TY	REMARKS
1	41161-94400	SEAL, STEERING CABLE	1	
2	67701-99J01	LINK ASSY, DRAG	1	
3	67721-89J00	.SPACER	1	
4	67725-99J00	.BOLT	1	
5	67726-99E00	.NUT	2	
6	67728-99E00	.WASHER	3	



FIG.206

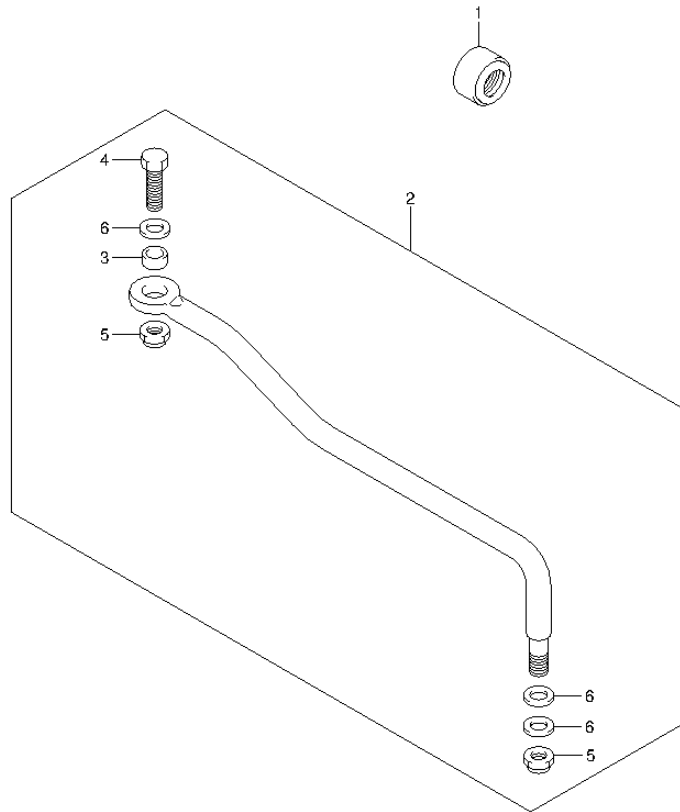


FIG.206 (2-G-11) DRAG LINK (DF20AT P01)

REF NO.	PART NO.	DESCRIPTION	Q'TY	REMARKS
1	41161-94400	SEAL, STEERING CABLE	1	
2	67701-99J01	LINK ASSY, DRAG	1	
3	67721-89J00	.SPACER	1	
4	67725-99J00	.BOLT	1	
5	67726-99E00	.NUT	2	
6	67728-99E00	.WASHER	3	



FIG.207

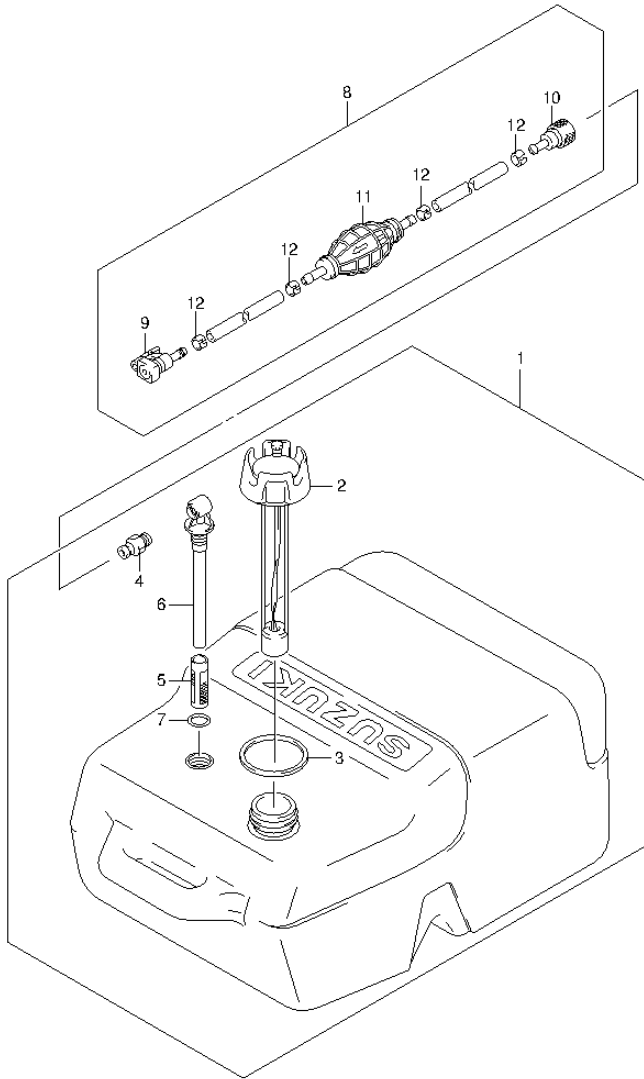


FIG.207 (2-G-12) OPT:FUEL TANK

REF NO.	PART NO.	DESCRIPTION	Q'TY	REMARKS
1	65000-95D01	TANK ASSY, FUEL (25L)	1	
2	65520-95D00	.CAP, FUEL TANK	1	
3	65561-95D00	.GASKET, TANK CAP	1	
4	65740-95D01	.PLUG, FUEL CONNECTOR	1	
5	65831-95D00	.FILTER, OUTLET	1	
6	65890-95D00	.OUTLET ASSY	1	
7	65892-95D00	.O RING	1	
8	65700-87J15	HOSE, FUEL	1	
9	65750-87J11	.SOCKET, FUEL HOSE	1	
10	65750-95500	.SOCKET, FUEL HOSE	1	
11	65770-90J11	.PUMP, SQUEEZE	1	
12	65781-98500	.CLIP	4	



FIG.208

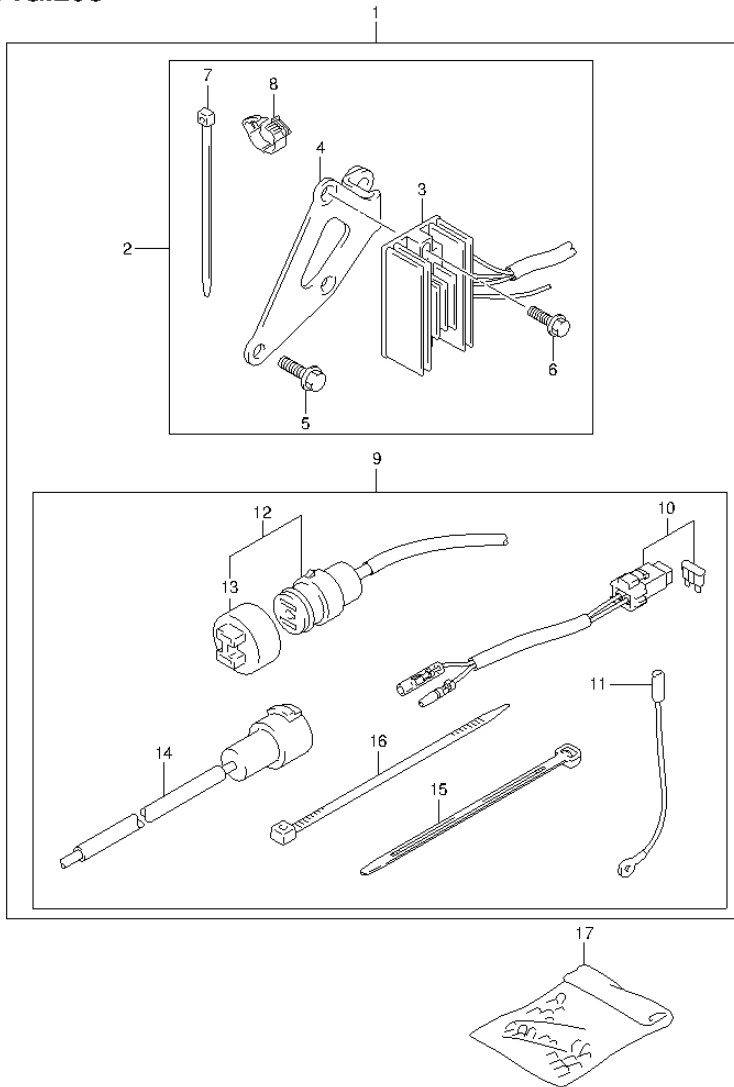


FIG.208 (2-G-13) OPT:ELECTRICAL (MANUAL STARTER) (DF9.9B P01)

REF NO.	PART NO.	DESCRIPTION	Q'TY	REMARKS
1	32000-89L00	KIT,BATTERY CHARGING	1	
2	32801-89L00	..RECTIFIER & REGULATOR SET	1	
3	32800-94J11	..RECTIFIER/REGULATOR ASSY	1	
4	32815-89L10	..BRACKET, RECTIFILER	1	
5	01550-08207	..BOLT	2	
6	01550-06207	..BOLT	2	
7	09407-14407	..CLAMP (L:145)	3	
8	09408-00184	..CLAMP	1	
9	39600-89L00	..RECEPTACLE SET	1	
10	36740-94J00	..CASE ASSY, FUSE	1	
11	37801-98300	..LEAD RECEPTACLE GROUND	1	
12	39601-95D00	..RECEPTACLE ASSY, LIGHTING	1	
13	36634-93910	...CAP	1	
14	39602-93900	..PLUG, RECEPTACLE	1	
15	09407-14403	..CLAMP (L:125)	2	
16	09407-14407	..CLAMP (L:145)	3	
17	36990-87D00	TERMINAL & SLEEVE SET	1	

FIG.209

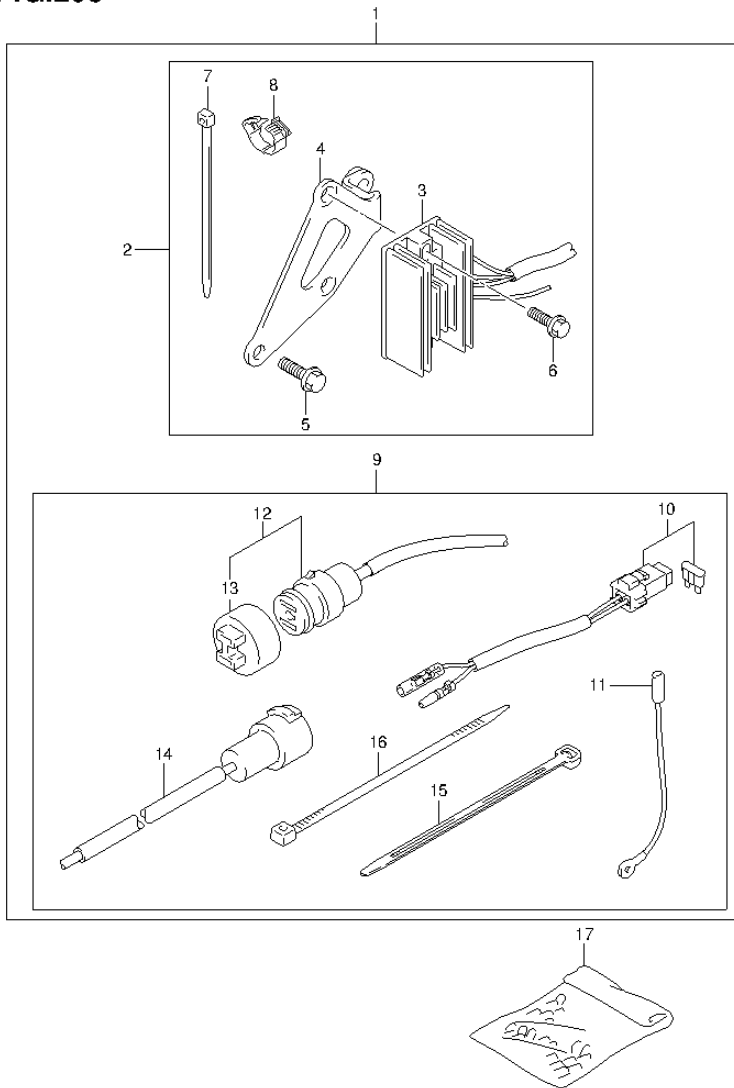


FIG.209 (2-G-14) OPT:ELECTRICAL (MANUAL STARTER) (DF15A P01)

REF NO.	PART NO.	DESCRIPTION	Q'TY	REMARKS
1	32000-89L00	KIT,BATTERY CHARGING	1	
2	32801-89L00	..RECTIFIER & REGULATOR SET	1	
3	32800-94J11	..RECTIFIER/REGULATOR ASSY	1	
4	32815-89L10	..BRACKET, RECTIFILER	1	
5	01550-08207	..BOLT	2	
6	01550-06207	..BOLT	2	
7	09407-14407	..CLAMP (L:145)	3	
8	09408-00184	..CLAMP	1	
9	39600-89L00	..RECEPTACLE SET	1	
10	36740-94J00	..CASE ASSY, FUSE	1	
11	37801-98300	..LEAD RECEPTACLE GROUND	1	
12	39601-95D00	..RECEPTACLE ASSY, LIGHTING	1	
13	36634-93910	...CAP	1	
14	39602-93900	..PLUG, RECEPTACLE	1	
15	09407-14403	..CLAMP (L:125)	2	
16	09407-14407	..CLAMP (L:145)	3	
17	36990-87D00	TERMINAL & SLEEVE SET	1	

FIG.210

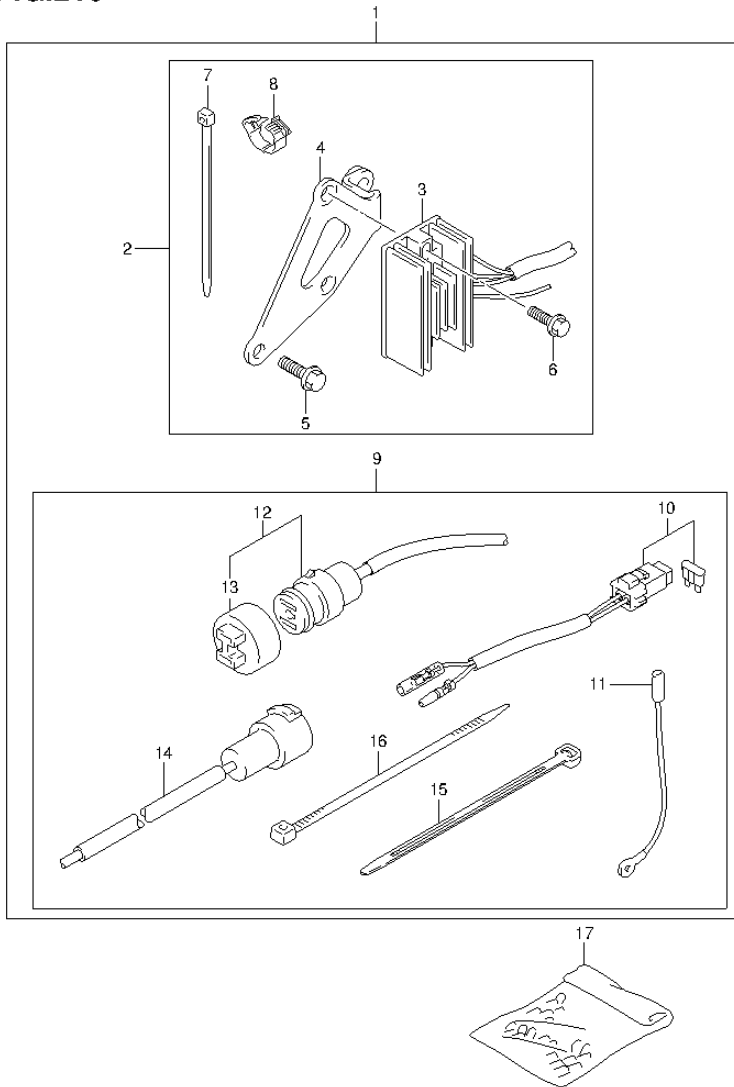


FIG.210 (2-G-15) OPT:ELECTRICAL (MANUAL STARTER) (DF20A P01)

REF NO.	PART NO.	DESCRIPTION	Q'TY	REMARKS
1	32000-89L00	KIT,BATTERY CHARGING	1	
2	32801-89L00	..RECTIFIER & REGULATOR SET	1	
3	32800-94J11	..RECTIFIER/REGULATOR ASSY	1	
4	32815-89L10	..BRACKET, RECTIFILER	1	
5	01550-08207	..BOLT	2	
6	01550-06207	..BOLT	2	
7	09407-14407	..CLAMP (L:145)	3	
8	09408-00184	..CLAMP	1	
9	39600-89L00	..RECEPTACLE SET	1	
10	36740-94J00	..CASE ASSY, FUSE	1	
11	37801-98300	..LEAD RECEPTACLE GROUND	1	
12	39601-95D00	..RECEPTACLE ASSY, LIGHTING	1	
13	36634-93910	...CAP	1	
14	39602-93900	..PLUG, RECEPTACLE	1	
15	09407-14403	..CLAMP (L:125)	2	
16	09407-14407	..CLAMP (L:145)	3	
17	36990-87D00	TERMINAL & SLEEVE SET	1	

FIG.211

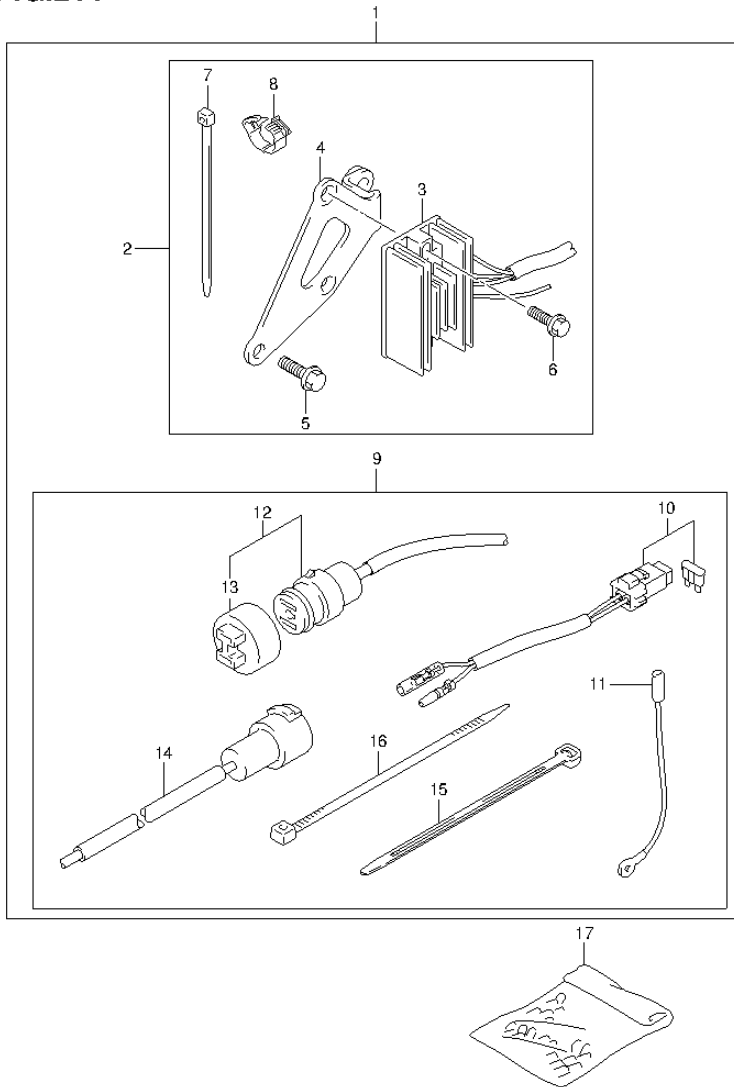


FIG.211 (2-H-2) OPT:ELECTRICAL (MANUAL STARTER) (DF20A P40)

REF NO.	PART NO.	DESCRIPTION	Q'TY	REMARKS
1	32000-89L00	KIT,BATTERY CHARGING	1	
2	32801-89L00	..RECTIFIER & REGULATOR SET	1	
3	32800-94J11	..RECTIFIER/REGULATOR ASSY	1	
4	32815-89L10	..BRACKET, RECTIFILER	1	
5	01550-08207	..BOLT	2	
6	01550-06207	..BOLT	2	
7	09407-14407	..CLAMP (L:145)	3	
8	09408-00184	..CLAMP	1	
9	39600-89L00	..RECEPTACLE SET	1	
10	36740-94J00	..CASE ASSY, FUSE	1	
11	37801-98300	..LEAD RECEPTACLE GROUND	1	
12	39601-95D00	..RECEPTACLE ASSY, LIGHTING	1	
13	36634-93910	...CAP	1	
14	39602-93900	..PLUG, RECEPTACLE	1	
15	09407-14403	..CLAMP (L:125)	2	
16	09407-14407	..CLAMP (L:145)	3	
17	36990-87D00	TERMINAL & SLEEVE SET	1	

FIG.212

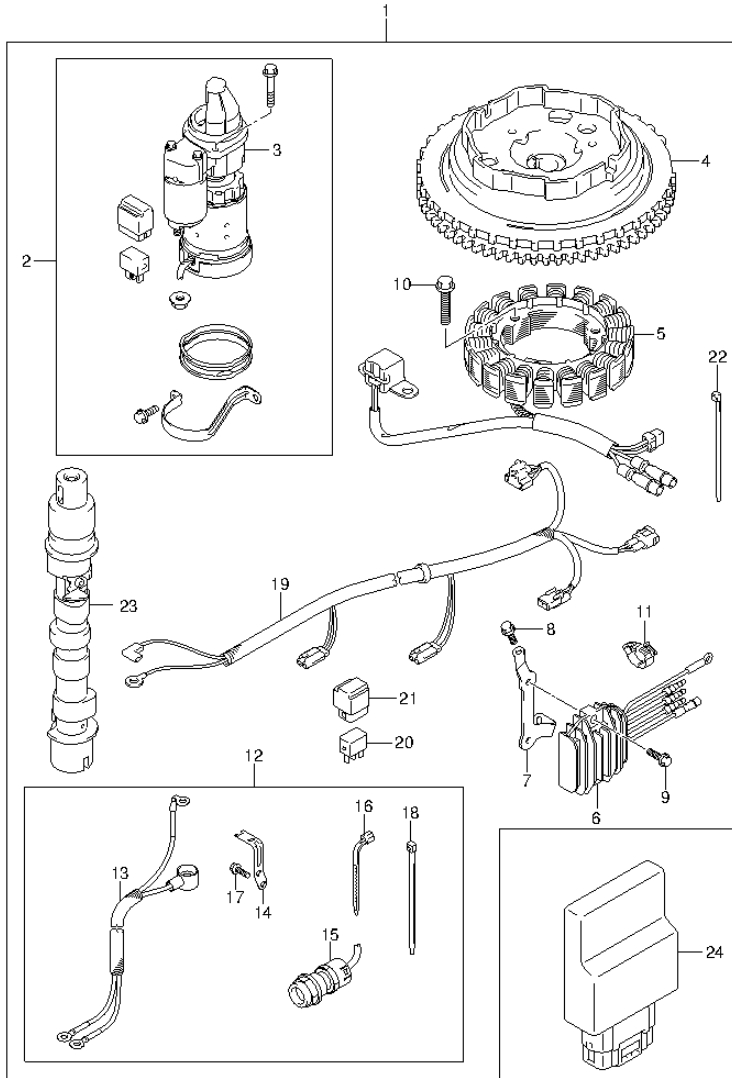


FIG.212 (2-H-3) OPT:STARTING MOTOR (MANUAL STARTER) (DF9.9B P01)

REF NO.	PART NO.	DESCRIPTION	Q'TY	REMARKS
1	31000-89L02	STARTER SET, ELECTRIC	1	
2	31101-89L00	.MOTOR SET, STARTING	1	
3	31100-94J21	..MOTOR ASSY, STARTING	1	
4	32102-89L00	.FLYWHEEL, MAGNETO	1	
5	32120-89L00	.COIL, STATOR & PULSER	1	
6	32800-89L00	.RECTIFIER/REGULATOR ASSY	1	
7	32815-89L00	.BRACKET, RECTIFIER	1	
8	01550-06167	.BOLT	1	
9	01550-06207	.BOLT	2	
10	01547-0625A	.BOLT	3	
11	09408-00184	.CLAMP	1	
12	33800-89L00	.CABLE SET, STARTER	1	
13	33810-89L01	..CABLE, STARTER	1	
14	36617-89L10	..BRACKET, HARNESS	1	
15	37161-89L00	..SWITCH ASSY, STARTER	1	
16	09407-14403	..CLAMP (L:125)	1	
17	01547-06167	..BOLT	2	
18	09407-14407	..CLAMP (L:145)	1	
19	36610-89L02	.HARNESS ASSY, WIRING	1	
20	38860-76F01	.RELAY ASSY	1	
21	38915-90J00	.HOLDER, RELAY	1	
22	09407-14407	.CLAMP (L:145)	11	
23	12700-89L20	.CAMSHAFT ASSY	1	
24	33920-89L40	UNIT, ENGINE CONTROL	1	

FIG.213

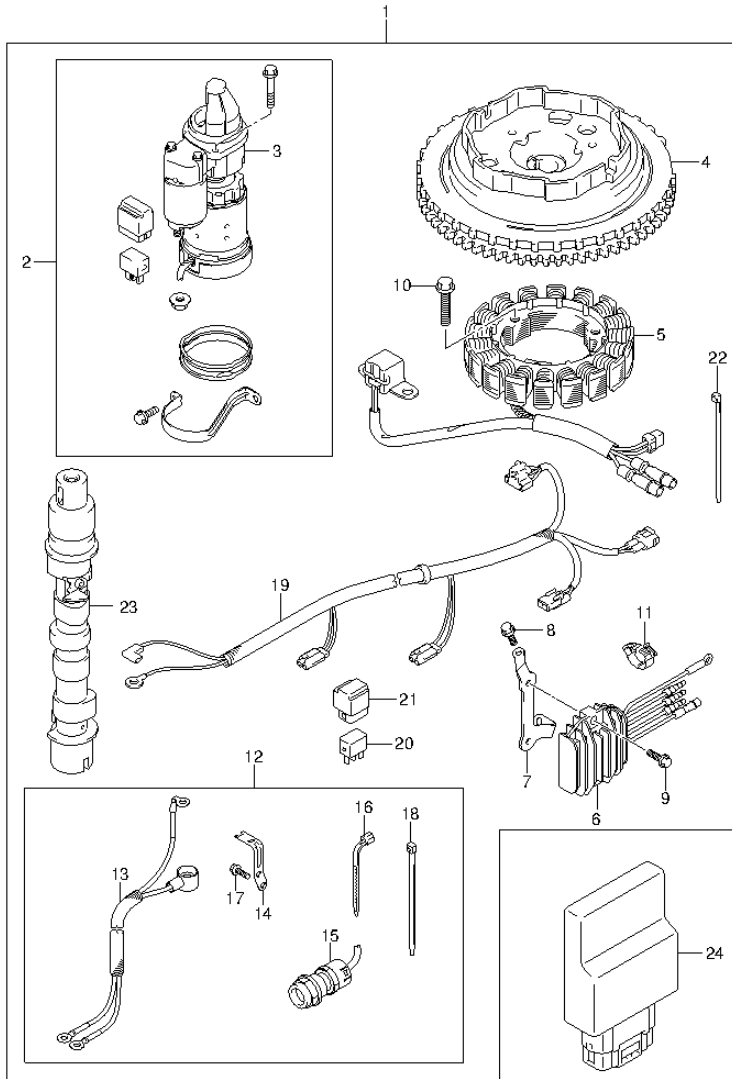


FIG.213 (2-H-4) OPT:STARTING MOTOR (MANUAL STARTER) (DF9.9BR P01)

REF NO.	PART NO.	DESCRIPTION	Q'TY	REMARKS
1	31000-89L02	STARTER SET, ELECTRIC	1	
2	31101-89L00	.MOTOR SET, STARTING	1	
3	31100-94J21	..MOTOR ASSY, STARTING	1	
4	32102-89L00	.FLYWHEEL, MAGNETO	1	
5	32120-89L00	.COIL, STATOR & PULSER	1	
6	32800-89L00	.RECTIFIER/REGULATOR ASSY	1	
7	32815-89L00	.BRACKET, RECTIFIER	1	
8	01550-06167	.BOLT	1	
9	01550-06207	.BOLT	2	
10	01547-0625A	.BOLT	3	
11	09408-00184	.CLAMP	1	
12	33800-89L00	.CABLE SET, STARTER	1	
13	33810-89L01	..CABLE, STARTER	1	
14	36617-89L10	..BRACKET, HARNESS	1	
15	37161-89L00	..SWITCH ASSY, STARTER	1	
16	09407-14403	..CLAMP (L:125)	1	
17	01547-06167	..BOLT	2	
18	09407-14407	..CLAMP (L:145)	1	
19	36610-89L02	.HARNESS ASSY, WIRING	1	
20	38860-76F01	.RELAY ASSY	1	
21	38915-90J00	.HOLDER, RELAY	1	
22	09407-14407	.CLAMP (L:145)	11	
23	12700-89L20	.CAMSHAFT ASSY	1	
24	33920-89L40	UNIT, ENGINE CONTROL	1	

FIG.214

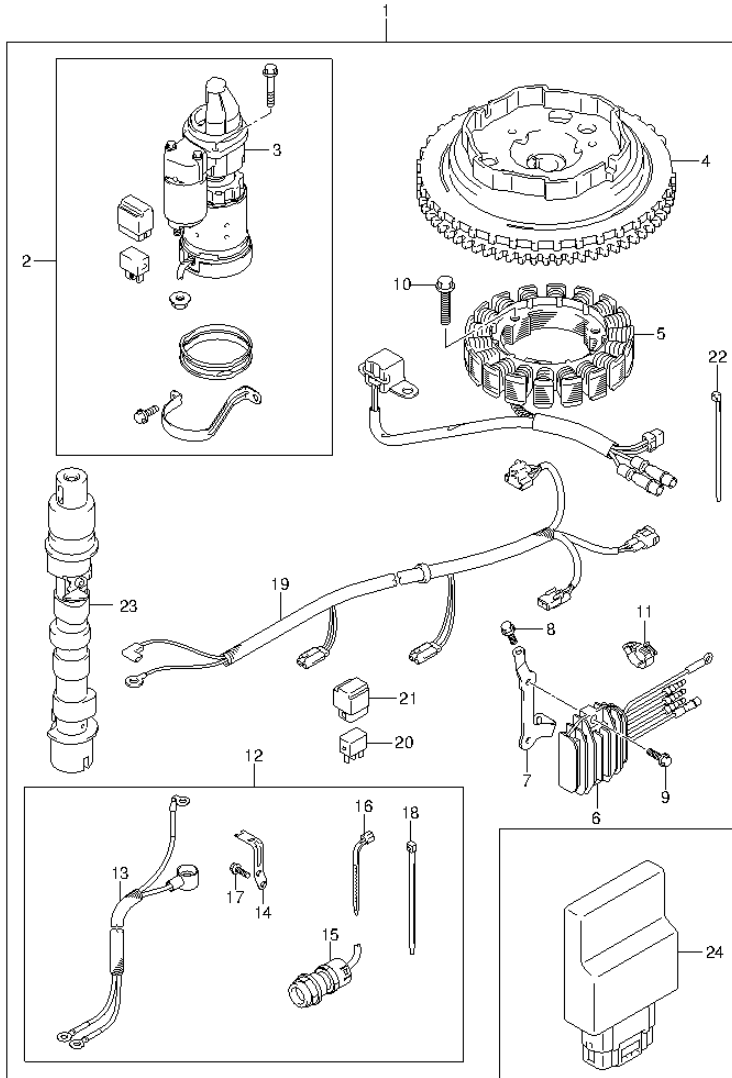


FIG.214 (2-H-5) OPT:STARTING MOTOR (MANUAL STARTER) (DF9.9BT P01)

REF NO.	PART NO.	DESCRIPTION	Q'TY	REMARKS
1	31000-89L02	STARTER SET, ELECTRIC	1	
2	31101-89L00	.MOTOR SET, STARTING	1	
3	31100-94J21	..MOTOR ASSY, STARTING	1	
4	32102-89L00	.FLYWHEEL, MAGNETO	1	
5	32120-89L00	.COIL, STATOR & PULSER	1	
6	32800-89L00	.RECTIFIER/REGULATOR ASSY	1	
7	32815-89L00	.BRACKET, RECTIFIER	1	
8	01550-06167	.BOLT	1	
9	01550-06207	.BOLT	2	
10	01547-0625A	.BOLT	3	
11	09408-00184	.CLAMP	1	
12	33800-89L00	.CABLE SET, STARTER	1	
13	33810-89L01	..CABLE, STARTER	1	
14	36617-89L10	..BRACKET, HARNESS	1	
15	37161-89L00	..SWITCH ASSY, STARTER	1	
16	09407-14403	..CLAMP (L:125)	1	
17	01547-06167	..BOLT	2	
18	09407-14407	..CLAMP (L:145)	1	
19	36610-89L02	.HARNESS ASSY, WIRING	1	
20	38860-76F01	.RELAY ASSY	1	
21	38915-90J00	.HOLDER, RELAY	1	
22	09407-14407	.CLAMP (L:145)	11	
23	12700-89L20	.CAMSHAFT ASSY	1	
24	33920-89L40	UNIT, ENGINE CONTROL	1	

FIG.215

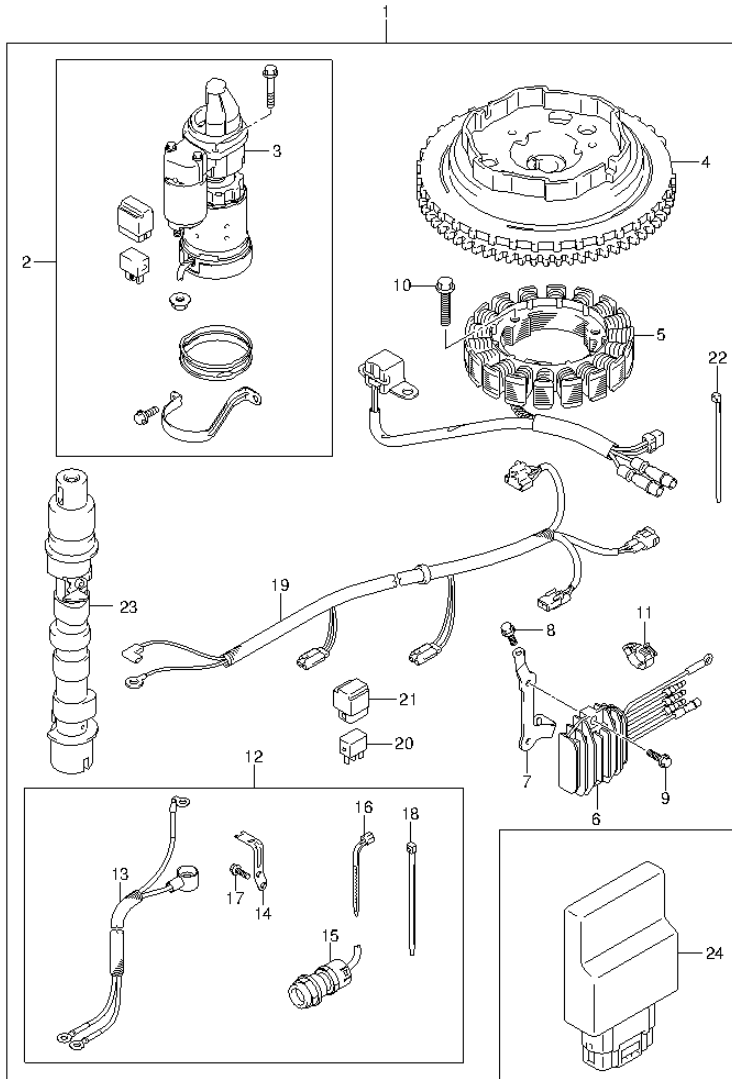


FIG.215 (2-H-6) OPT:STARTING MOTOR (MANUAL STARTER) (DF15A P01)

REF NO.	PART NO.	DESCRIPTION	Q'TY	REMARKS
1	31000-89L02	STARTER SET, ELECTRIC	1	
2	31101-89L00	.MOTOR SET, STARTING	1	
3	31100-94J21	..MOTOR ASSY, STARTING	1	
4	32102-89L00	.FLYWHEEL, MAGNETO	1	
5	32120-89L00	.COIL, STATOR & PULSER	1	
6	32800-89L00	.RECTIFIER/REGULATOR ASSY	1	
7	32815-89L00	.BRACKET, RECTIFIER	1	
8	01550-06167	.BOLT	1	
9	01550-06207	.BOLT	2	
10	01547-0625A	.BOLT	3	
11	09408-00184	.CLAMP	1	
12	33800-89L00	.CABLE SET, STARTER	1	
13	33810-89L01	..CABLE, STARTER	1	
14	36617-89L10	..BRACKET, HARNESS	1	
15	37161-89L00	..SWITCH ASSY, STARTER	1	
16	09407-14403	..CLAMP (L:125)	1	
17	01547-06167	..BOLT	2	
18	09407-14407	..CLAMP (L:145)	1	
19	36610-89L02	.HARNESS ASSY, WIRING	1	
20	38860-76F01	.RELAY ASSY	1	
21	38915-90J00	.HOLDER, RELAY	1	
22	09407-14407	.CLAMP (L:145)	11	
23	12700-89L20	.CAMSHAFT ASSY	1	
24	33920-89L01	UNIT, ENGINE CONTROL	1	



FIG.216

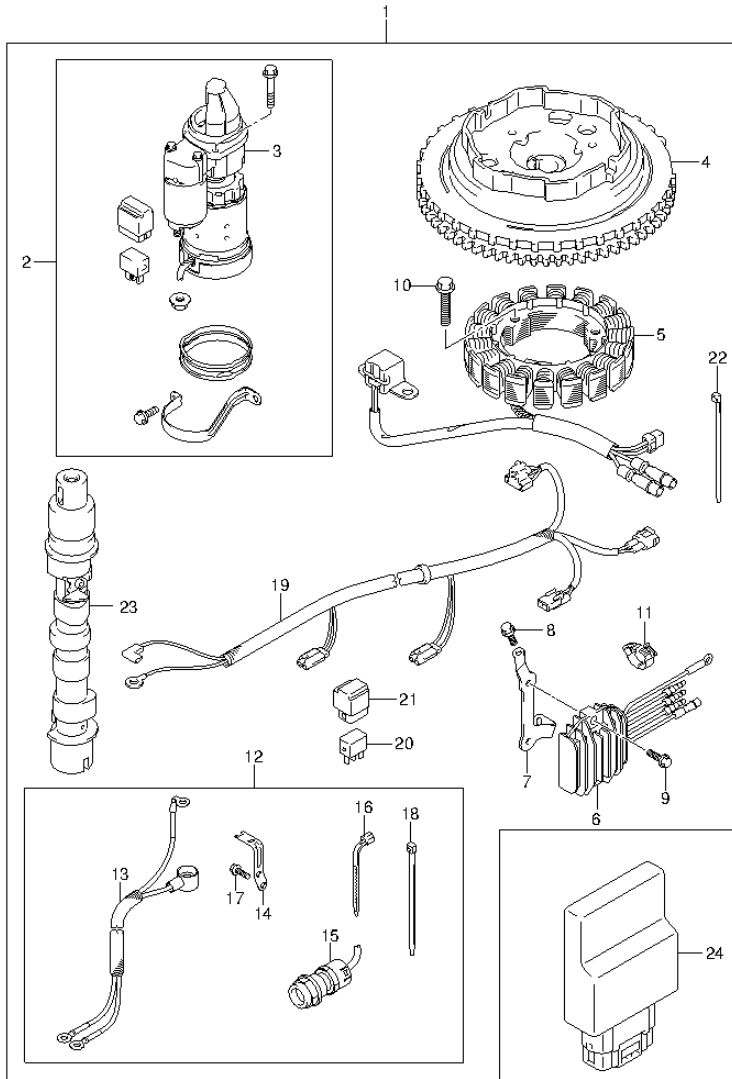


FIG.216 (2-H-7) OPT:STARTING MOTOR (MANUAL STARTER) (DF15AR P01)

REF NO.	PART NO.	DESCRIPTION	Q'TY	REMARKS
1	31000-89L02	STARTER SET, ELECTRIC	1	
2	31101-89L00	.MOTOR SET, STARTING	1	
3	31100-94J21	..MOTOR ASSY, STARTING	1	
4	32102-89L00	.FLYWHEEL, MAGNETO	1	
5	32120-89L00	.COIL, STATOR & PULSER	1	
6	32800-89L00	.RECTIFIER/REGULATOR ASSY	1	
7	32815-89L00	.BRACKET, RECTIFIER	1	
8	01550-06167	.BOLT	1	
9	01550-06207	.BOLT	2	
10	01547-0625A	.BOLT	3	
11	09408-00184	.CLAMP	1	
12	33800-89L00	.CABLE SET, STARTER	1	
13	33810-89L01	..CABLE, STARTER	1	
14	36617-89L10	..BRACKET, HARNESS	1	
15	37161-89L00	..SWITCH ASSY, STARTER	1	
16	09407-14403	..CLAMP (L:125)	1	
17	01547-06167	..BOLT	2	
18	09407-14407	..CLAMP (L:145)	1	
19	36610-89L02	.HARNESS ASSY, WIRING	1	
20	38860-76F01	.RELAY ASSY	1	
21	38915-90J00	.HOLDER, RELAY	1	
22	09407-14407	.CLAMP (L:145)	11	
23	12700-89L20	.CAMSHAFT ASSY	1	
24	33920-89L01	UNIT, ENGINE CONTROL	1	

FIG.217

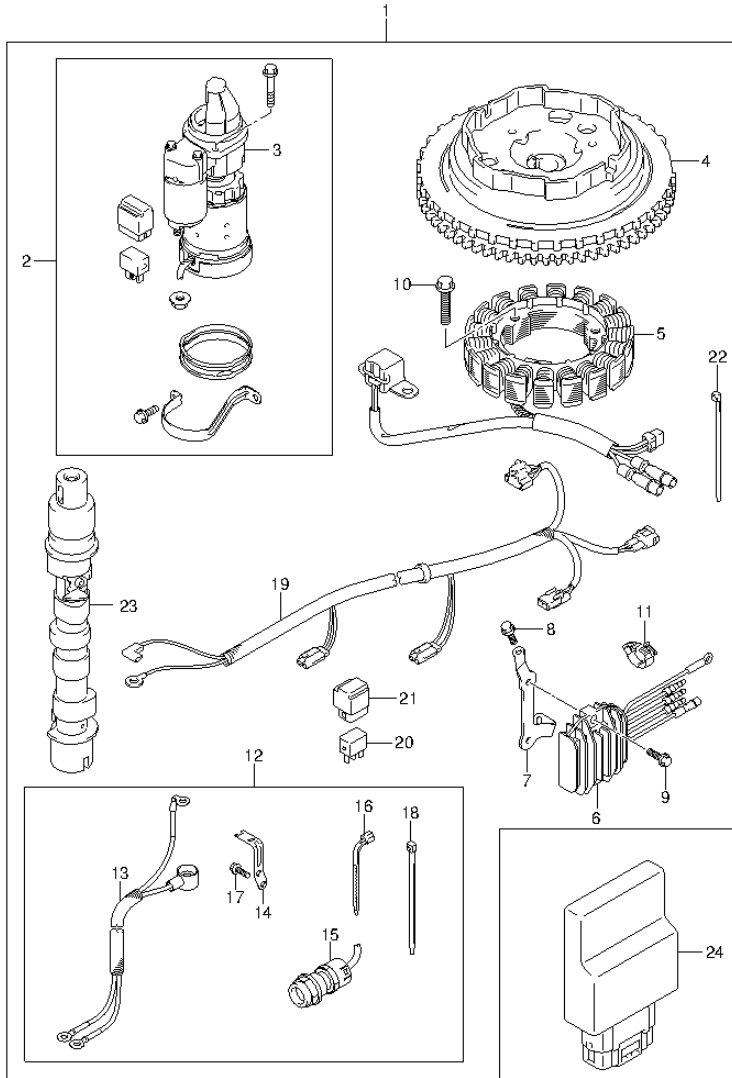


FIG.217 (2-H-8) OPT:STARTING MOTOR (MANUAL STARTER) (DF15ATH P01)

REF NO.	PART NO.	DESCRIPTION	Q'TY	REMARKS
1	31000-89L02	STARTER SET, ELECTRIC	1	
2	31101-89L00	.MOTOR SET, STARTING	1	
3	31100-94J21	..MOTOR ASSY, STARTING	1	
4	32102-89L00	.FLYWHEEL, MAGNETO	1	
5	32120-89L00	.COIL, STATOR & PULSER	1	
6	32800-89L00	.RECTIFIER/REGULATOR ASSY	1	
7	32815-89L00	.BRACKET, RECTIFIER	1	
8	01550-06167	.BOLT	1	
9	01550-06207	.BOLT	2	
10	01547-0625A	.BOLT	3	
11	09408-00184	.CLAMP	1	
12	33800-89L00	.CABLE SET, STARTER	1	
13	33810-89L01	..CABLE, STARTER	1	
14	36617-89L10	..BRACKET, HARNESS	1	
15	37161-89L00	..SWITCH ASSY, STARTER	1	
16	09407-14403	..CLAMP (L:125)	1	
17	01547-06167	..BOLT	2	
18	09407-14407	..CLAMP (L:145)	1	
19	36610-89L02	.HARNESS ASSY, WIRING	1	
20	38860-76F01	.RELAY ASSY	1	
21	38915-90J00	.HOLDER, RELAY	1	
22	09407-14407	.CLAMP (L:145)	11	
23	12700-89L20	.CAMSHAFT ASSY	1	
24	33920-89L01	UNIT, ENGINE CONTROL	1	

FIG.218

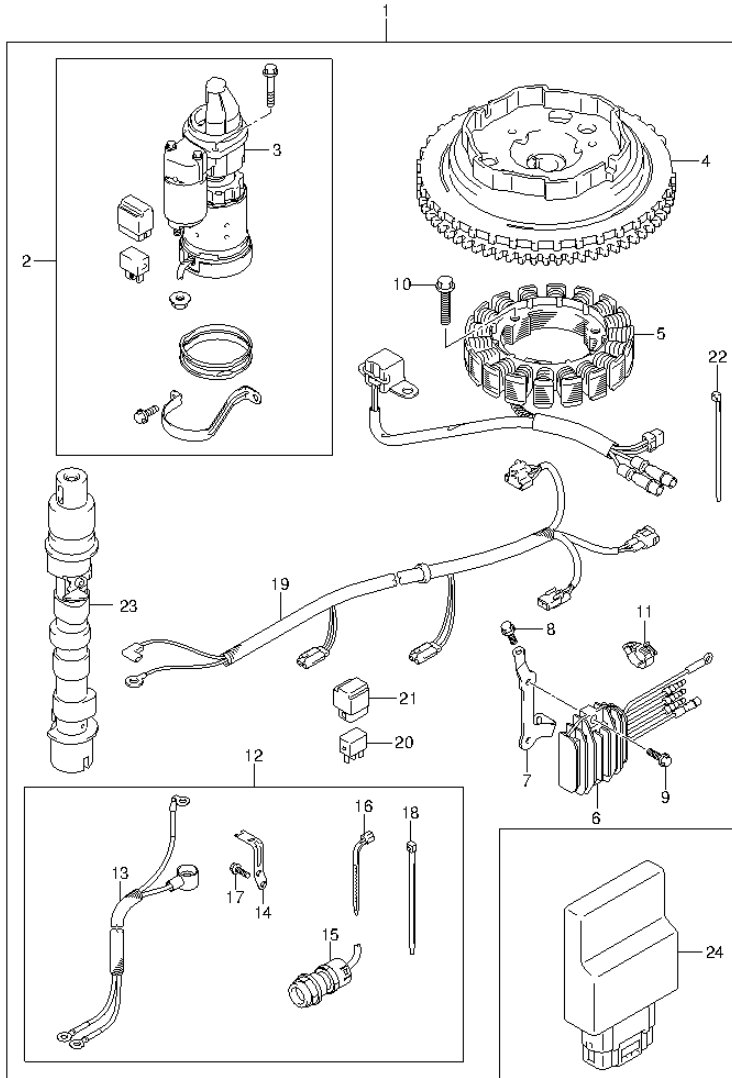


FIG.218 (2-H-9) OPT:STARTING MOTOR (MANUAL STARTER) (DF20A P01)

REF NO.	PART NO.	DESCRIPTION	Q'TY	REMARKS
1	31000-89L02	STARTER SET, ELECTRIC	1	
2	31101-89L00	.MOTOR SET, STARTING	1	
3	31100-94J21	..MOTOR ASSY, STARTING	1	
4	32102-89L00	.FLYWHEEL, MAGNETO	1	
5	32120-89L00	.COIL, STATOR & PULSER	1	
6	32800-89L00	.RECTIFIER/REGULATOR ASSY	1	
7	32815-89L00	.BRACKET, RECTIFIER	1	
8	01550-06167	.BOLT	1	
9	01550-06207	.BOLT	2	
10	01547-0625A	.BOLT	3	
11	09408-00184	.CLAMP	1	
12	33800-89L00	.CABLE SET, STARTER	1	
13	33810-89L01	..CABLE, STARTER	1	
14	36617-89L10	..BRACKET, HARNESS	1	
15	37161-89L00	..SWITCH ASSY, STARTER	1	
16	09407-14403	..CLAMP (L:125)	1	
17	01547-06167	..BOLT	2	
18	09407-14407	..CLAMP (L:145)	1	
19	36610-89L02	.HARNESS ASSY, WIRING	1	
20	38860-76F01	.RELAY ASSY	1	
21	38915-90J00	.HOLDER, RELAY	1	
22	09407-14407	.CLAMP (L:145)	11	
23	12700-89L20	.CAMSHAFT ASSY	1	
24	33920-89L21	UNIT, ENGINE CONTROL	1	

FIG.219

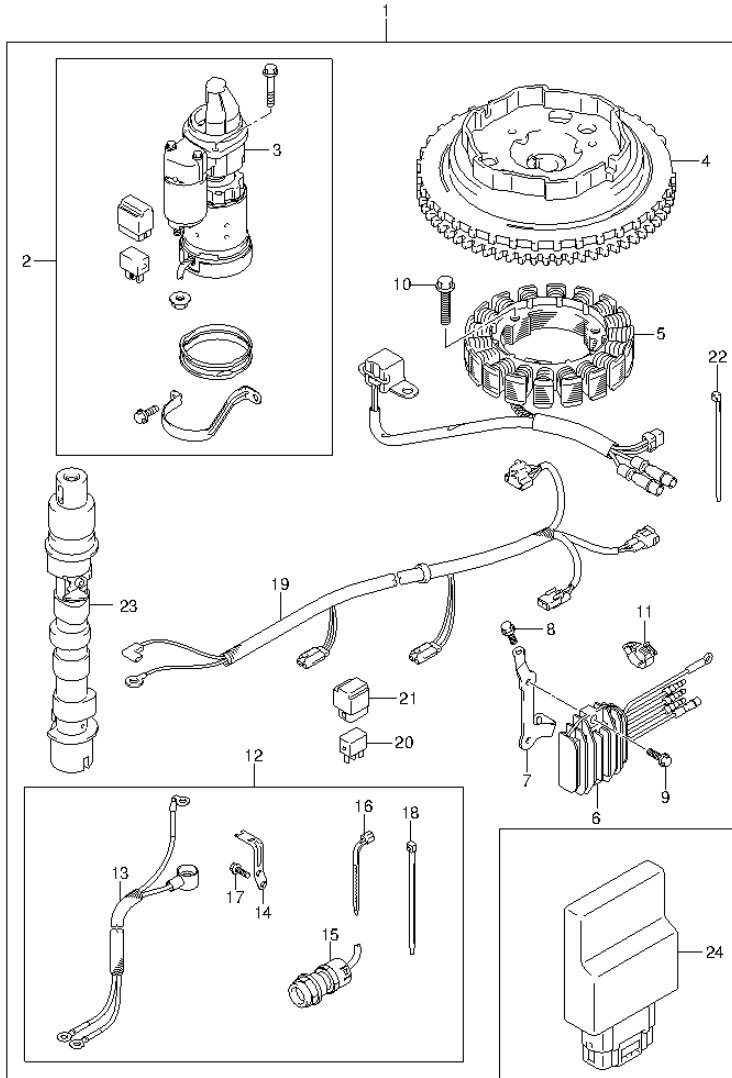


FIG.219 (2-H-10) OPT:STARTING MOTOR (MANUAL STARTER) (DF20A P40)

REF NO.	PART NO.	DESCRIPTION	Q'TY	REMARKS
1	31000-89L02	STARTER SET, ELECTRIC	1	
2	31101-89L00	.MOTOR SET, STARTING	1	
3	31100-94J21	..MOTOR ASSY, STARTING	1	
4	32102-89L00	.FLYWHEEL, MAGNETO	1	
5	32120-89L00	.COIL, STATOR & PULSER	1	
6	32800-89L00	.RECTIFIER/REGULATOR ASSY	1	
7	32815-89L00	.BRACKET, RECTIFIER	1	
8	01550-06167	.BOLT	1	
9	01550-06207	.BOLT	2	
10	01547-0625A	.BOLT	3	
11	09408-00184	.CLAMP	1	
12	33800-89L00	.CABLE SET, STARTER	1	
13	33810-89L01	..CABLE, STARTER	1	
14	36617-89L10	..BRACKET, HARNESS	1	
15	37161-89L00	..SWITCH ASSY, STARTER	1	
16	09407-14403	..CLAMP (L:125)	1	
17	01547-06167	..BOLT	2	
18	09407-14407	..CLAMP (L:145)	1	
19	36610-89L02	.HARNESS ASSY, WIRING	1	
20	38860-76F01	.RELAY ASSY	1	
21	38915-90J00	.HOLDER, RELAY	1	
22	09407-14407	.CLAMP (L:145)	11	
23	12700-89L20	.CAMSHAFT ASSY	1	
24	33920-89L60	UNIT, ENGINE CONTROL	1	

FIG.220

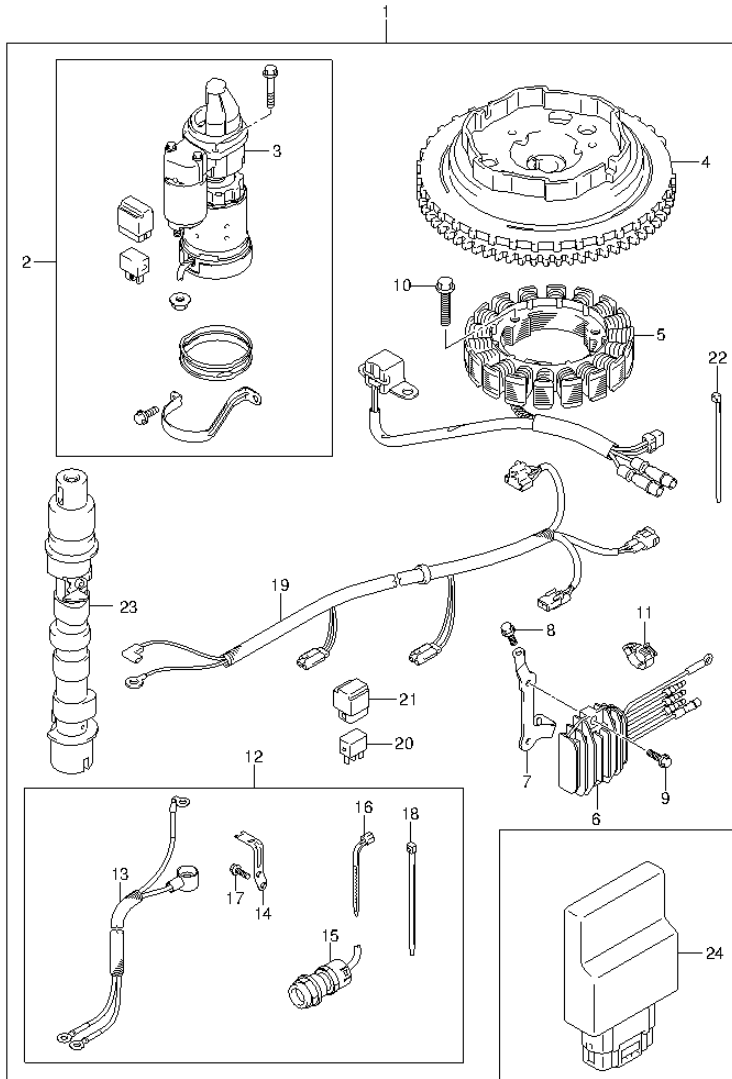


FIG.220 (2-H-11) OPT:STARTING MOTOR (MANUAL STARTER) (DF20AR P01)

REF NO.	PART NO.	DESCRIPTION	Q'TY	REMARKS
1	31000-89L02	STARTER SET, ELECTRIC	1	
2	31101-89L00	.MOTOR SET, STARTING	1	
3	31100-94J21	..MOTOR ASSY, STARTING	1	
4	32102-89L00	.FLYWHEEL, MAGNETO	1	
5	32120-89L00	.COIL, STATOR & PULSER	1	
6	32800-89L00	.RECTIFIER/REGULATOR ASSY	1	
7	32815-89L00	.BRACKET, RECTIFIER	1	
8	01550-06167	.BOLT	1	
9	01550-06207	.BOLT	2	
10	01547-0625A	.BOLT	3	
11	09408-00184	.CLAMP	1	
12	33800-89L00	.CABLE SET, STARTER	1	
13	33810-89L01	..CABLE, STARTER	1	
14	36617-89L10	..BRACKET, HARNESS	1	
15	37161-89L00	..SWITCH ASSY, STARTER	1	
16	09407-14403	..CLAMP (L:125)	1	
17	01547-06167	..BOLT	2	
18	09407-14407	..CLAMP (L:145)	1	
19	36610-89L02	.HARNESS ASSY, WIRING	1	
20	38860-76F01	.RELAY ASSY	1	
21	38915-90J00	.HOLDER, RELAY	1	
22	09407-14407	.CLAMP (L:145)	11	
23	12700-89L20	.CAMSHAFT ASSY	1	
24	33920-89L21	UNIT, ENGINE CONTROL	1	

FIG.221

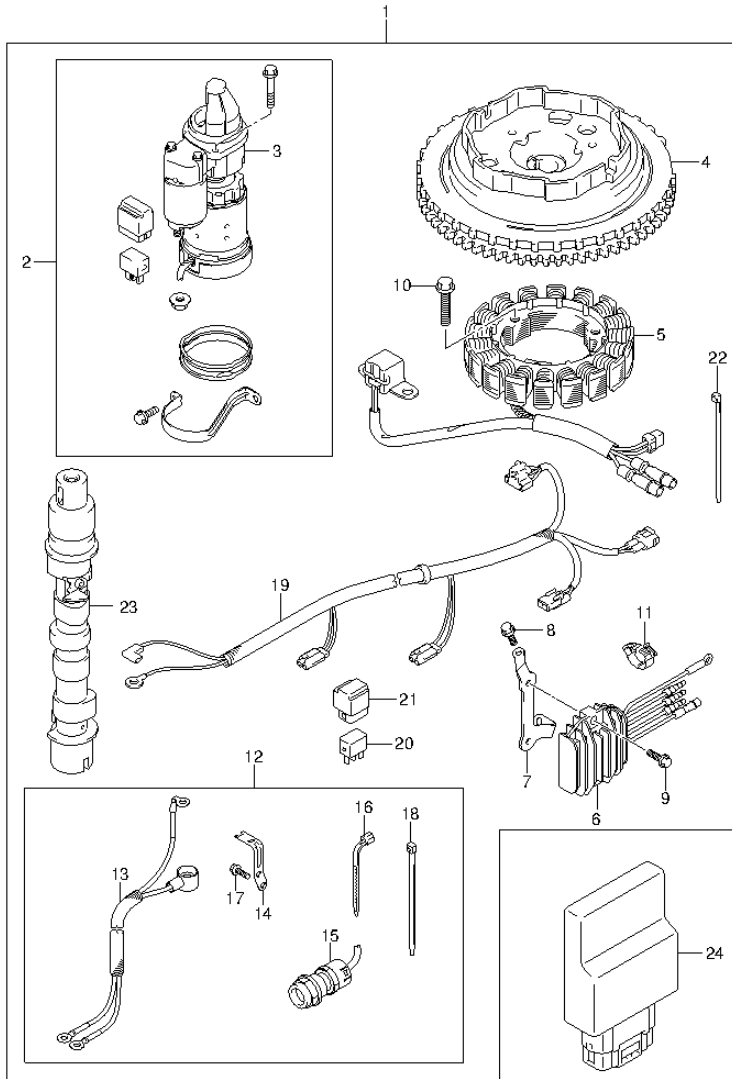


FIG.221 (2-H-12) OPT:STARTING MOTOR (MANUAL STARTER) (DF20AT P01)

REF NO.	PART NO.	DESCRIPTION	Q'TY	REMARKS
1	31000-89L02	STARTER SET, ELECTRIC	1	
2	31101-89L00	.MOTOR SET, STARTING	1	
3	31100-94J21	..MOTOR ASSY, STARTING	1	
4	32102-89L00	.FLYWHEEL, MAGNETO	1	
5	32120-89L00	.COIL, STATOR & PULSER	1	
6	32800-89L00	.RECTIFIER/REGULATOR ASSY	1	
7	32815-89L00	.BRACKET, RECTIFIER	1	
8	01550-06167	.BOLT	1	
9	01550-06207	.BOLT	2	
10	01547-0625A	.BOLT	3	
11	09408-00184	.CLAMP	1	
12	33800-89L00	.CABLE SET, STARTER	1	
13	33810-89L01	..CABLE, STARTER	1	
14	36617-89L10	..BRACKET, HARNESS	1	
15	37161-89L00	..SWITCH ASSY, STARTER	1	
16	09407-14403	..CLAMP (L:125)	1	
17	01547-06167	..BOLT	2	
18	09407-14407	..CLAMP (L:145)	1	
19	36610-89L02	.HARNESS ASSY, WIRING	1	
20	38860-76F01	.RELAY ASSY	1	
21	38915-90J00	.HOLDER, RELAY	1	
22	09407-14407	.CLAMP (L:145)	11	
23	12700-89L20	.CAMSHAFT ASSY	1	
24	33920-89L21	UNIT, ENGINE CONTROL	1	

FIG.222

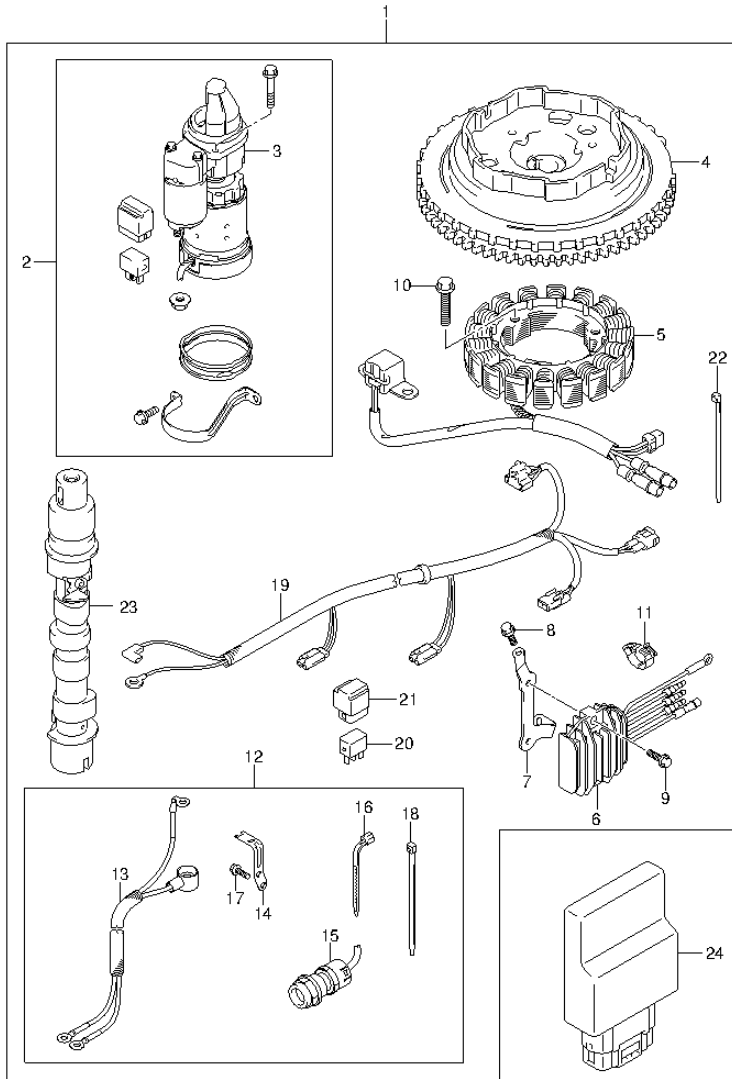


FIG.222 (2-H-13) OPT:STARTING MOTOR (MANUAL STARTER) (DF20ATH P01)

REF NO.	PART NO.	DESCRIPTION	Q'TY	REMARKS
1	31000-89L02	STARTER SET, ELECTRIC	1	
2	31101-89L00	.MOTOR SET, STARTING	1	
3	31100-94J21	..MOTOR ASSY, STARTING	1	
4	32102-89L00	.FLYWHEEL, MAGNETO	1	
5	32120-89L00	.COIL, STATOR & PULSER	1	
6	32800-89L00	.RECTIFIER/REGULATOR ASSY	1	
7	32815-89L00	.BRACKET, RECTIFIER	1	
8	01550-06167	.BOLT	1	
9	01550-06207	.BOLT	2	
10	01547-0625A	.BOLT	3	
11	09408-00184	.CLAMP	1	
12	33800-89L00	.CABLE SET, STARTER	1	
13	33810-89L01	..CABLE, STARTER	1	
14	36617-89L10	..BRACKET, HARNESS	1	
15	37161-89L00	..SWITCH ASSY, STARTER	1	
16	09407-14403	..CLAMP (L:125)	1	
17	01547-06167	..BOLT	2	
18	09407-14407	..CLAMP (L:145)	1	
19	36610-89L02	.HARNESS ASSY, WIRING	1	
20	38860-76F01	.RELAY ASSY	1	
21	38915-90J00	.HOLDER, RELAY	1	
22	09407-14407	.CLAMP (L:145)	11	
23	12700-89L20	.CAMSHAFT ASSY	1	
24	33920-89L21	UNIT, ENGINE CONTROL	1	

FIG.223

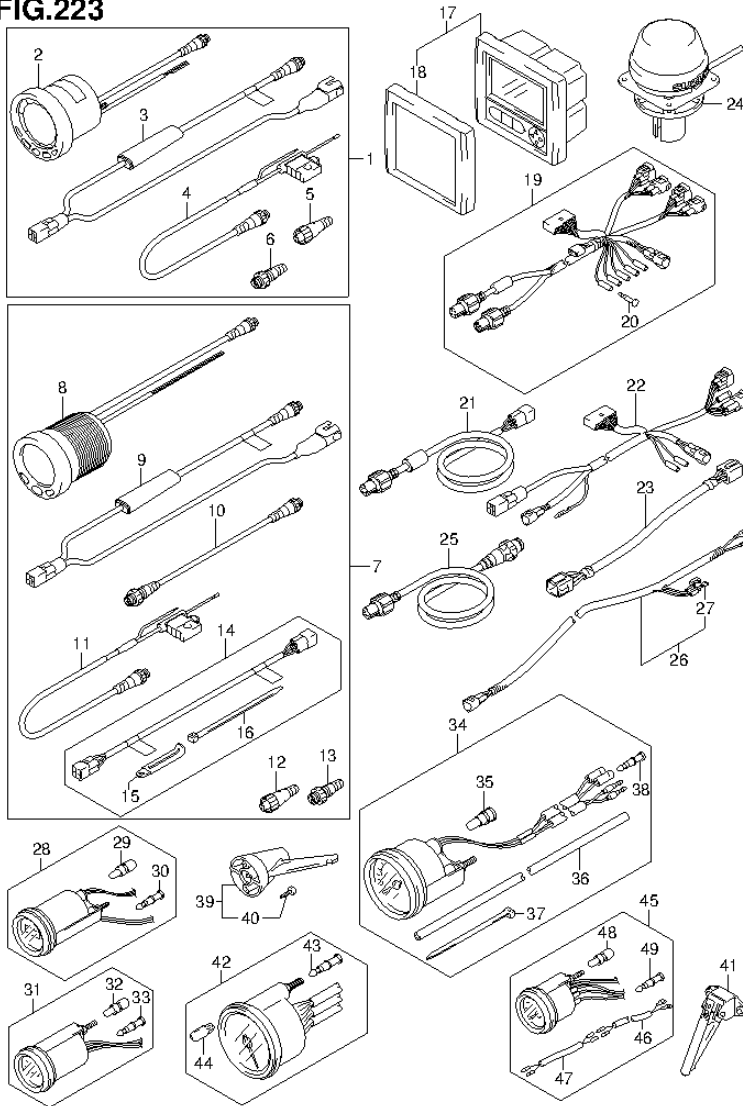


FIG.223 (2-H-14) OPT:METER (DF9.9BR P01)

REF NO.	PART NO.	DESCRIPTION	Q'TY	REMARKS
1	34011-88L02	KIT, 4 IN MULTI GAUGE	1	
2	34200-88L02	.GAUGE ASSY, 4 IN MULTI	1	
3	34922-88L01	.UNIT, INTERFACE	1	
4	36663-88L00	.HARNESS ASSY, NETWORK POWER	1	
5	36665-88L00	.UNIT, RESISTOR FEMALE	1	
6	36665-88L10	.UNIT, RESISTOR MALE	1	
7	34011-89L00	KIT, 2 IN MULTI GAUGE	1	
8	34800-88L01	.GAUGE ASSY, 2 IN MULTI	1	
9	34922-88L01	.UNIT, INTERFACE	1	
10	36662-88L00	.WIRE, 25 EXTENSION	1	
11	36663-88L00	.HARNESS ASSY, NETWORK POWER	1	
12	36665-88L00	.UNIT, RESISTOR FEMALE	1	
13	36665-88L10	.UNIT, RESISTOR MALE	1	
14	36660-89L00	.SET, ENG TO INTERFACE WIRE	1	
15	29404-93J10	.CLAMP	1	
16	09407-14407	..CLAMP (L:145)	3	
17	34200-87L12	GAUGE ASSY, MULTI	1	
18	34211-87L00	.COVER, FRONT	1	
19	36661-87L00	ADAPTER, GAUGE	1	
20	36615-96300	.TERMINAL, RESIN	5	
21	36664-87L00	ADAPTER, GAUGE DUAL STATION	1	
22	36665-87L00	ADAPTER, GAUGE FOR MULTI	1	
23	36682-92E00	WIRE, TRIM METER	1	
24	39950-87L00	MODULE ASSY, GPS RECIVER	1	
25	36666-87L00	WIRE, NETWORK	1	
26-1	36663-98J00	HARNESS, ACTIVE HUB POWER	1	2.5M
26-2	36663-98J10	HARNESS, ACTIVE HUB POWER	1	6M
27	09481-05501	.FUSE (5A)	1	
28-1	34500-93J00	METER ASSY, HOUR	1	BLACK
28-2	34500-93J11	METER ASSY, HOUR	1	WHITE
29	09471-12103	.BULB (12V,3W,T6.5)	1	
30	36615-96300	.TERMINAL	4	
31-1	34600-93J00	METER ASSY, VOLTAGE	1	BLACK
31-2	34600-93J11	METER ASSY, VOLTAGE	1	WHITE



FIG.223

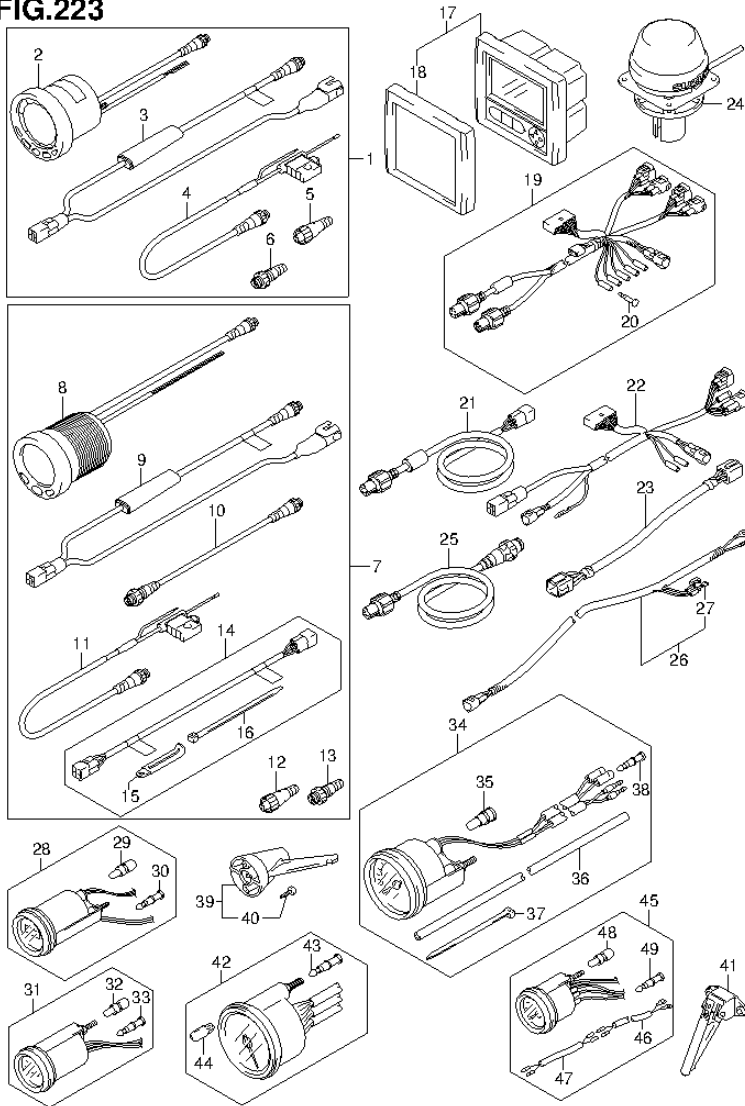


FIG.223 (2-H-15) OPT:METER (DF9.9BR P01)

REF NO.	PART NO.	DESCRIPTION	Q'TY	REMARKS
32	09471-12103	.BULB (12V,3W,T6.5)	1	
33	36615-96300	.TERMINAL	4	
34-1	34100-93J20	SPEEDOMETER ASSY	1	MAX 80KM/H BLACK
34-2	34100-93J31	SPEEDOMETER ASSY	1	MAX 80KM/H WHITE
34-3	34100-93J40	SPEEDOMETER ASSY	1	MAX 45KNOTS BLACK
34-4	34100-93J51	SPEEDOMETER ASSY	1	MAX 45KNOTS WHITE
35	09471-12028	.BULB (12V,3.4W)	1	
36	34191-92E00	.TUBE	1	
37	09407-14407	.CLAMP (L:145)	2	
38	36615-96300	.TERMINAL, RESIN	2	
39	34190-95500	SENDER ASSY, SPEEDOMETER	1	
40	03112-06303	.SCREW	2	
41	34190-87D00	SENDER ASSY, SPEEDOMETER	1	
42-1	34200-93J20	TACHOMETER ASSY	1	BLACK
42-2	34200-93J31	TACHOMETER ASSY	1	WHITE
43	36615-96300	.TERMINAL	4	
44	09471-12028	.BULB (12V,3.4W)	1	
45-1	34300-93J00	GAUGE ASSY, FUEL	1	BLACK
45-2	34300-93J11	GAUGE ASSY, FUEL	1	WHITE
46	34310-92E00	.LEAD, FUEL GAUGE	1	
47	34360-92E00	.ADAPTER, FUEL GAUGE	1	
48	09471-12103	.BULB (12V,3W,T6.5)	1	
49	36615-96300	.TERMINAL	5	

FIG.224

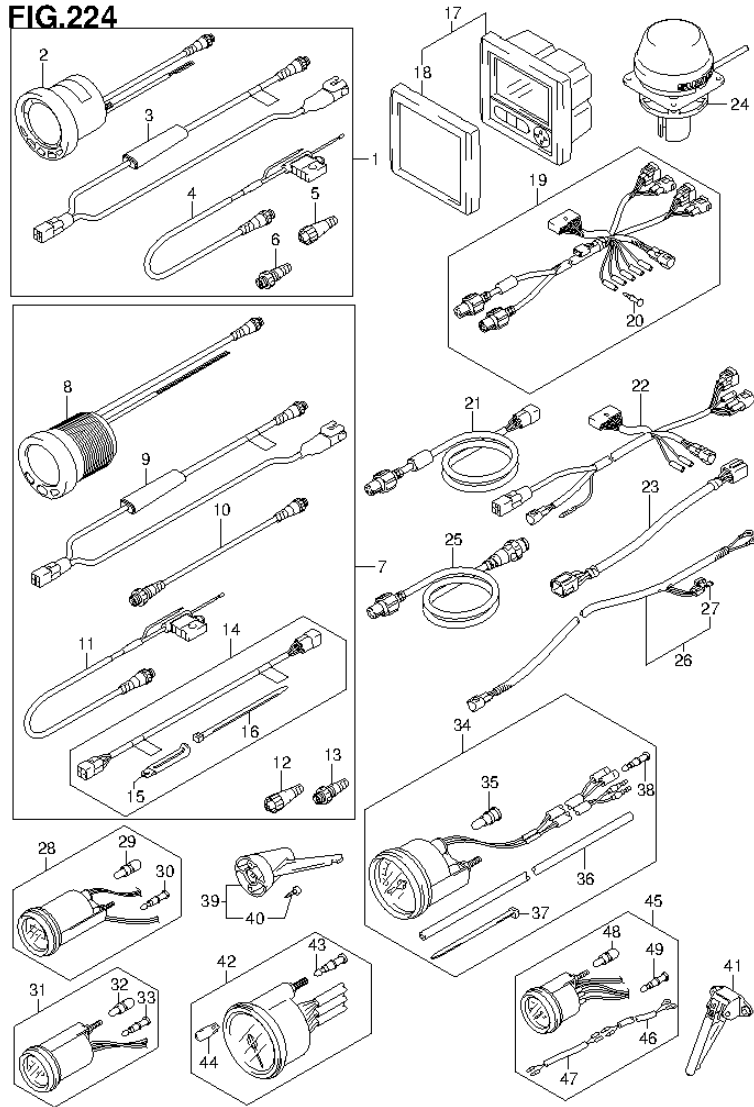


FIG.224 (2-I-2) OPT:METER (DF9.9BT P01)

REF NO.	PART NO.	DESCRIPTION	Q'TY	REMARKS
1	34011-88L02	KIT, 4 IN MULTI GAUGE	1	
2	34200-88L02	.GAUGE ASSY, 4 IN MULTI	1	
3	34922-88L01	.UNIT, INTERFACE	1	
4	36663-88L00	.HARNES ASSY, NETWORK POWER	1	
5	36665-88L00	.UNIT, RESISTOR FEMALE	1	
6	36665-88L10	.UNIT, RESISTOR MALE	1	
7	34011-89L00	KIT, 2 IN MULTI GAUGE	1	
8	34800-88L01	.GAUGE ASSY, 2 IN MULTI	1	
9	34922-88L01	.UNIT, INTERFACE	1	
10	36662-88L00	.WIRE, 25 EXTENSION	1	
11	36663-88L00	.HARNES ASSY, NETWORK POWER	1	
12	36665-88L00	.UNIT, RESISTOR FEMALE	1	
13	36665-88L10	.UNIT, RESISTOR MALE	1	
14	36660-89L00	.SET, ENG TO INTERFACE WIRE	1	
15	29404-93J10	..CLAMP	1	
16	09407-14407	..CLAMP (L:145)	3	
17	34200-87L12	GAUGE ASSY, MULTI	1	
18	34211-87L00	.COVER, FRONT	1	
19	36661-87L00	ADAPTER, GAUGE	1	
20	36615-96300	.TERMINAL, RESIN	5	
21	36664-87L00	ADAPTER, GAUGE DUAL STATION	1	
22	36665-87L00	ADAPTER, GAUGE FOR MULTI	1	
23	36682-92E00	WIRE, TRIM METER	1	
24	39950-87L00	MODULE ASSY, GPS RECIVER	1	
25	36666-87L00	WIRE, NETWORK	1	
26-1	36663-98J00	HARNES, ACTIVE HUB POWER	1	2.5M
26-2	36663-98J10	HARNES, ACTIVE HUB POWER	1	6M
27	09481-05501	.FUSE (5A)	1	
28-1	34500-93J00	METER ASSY, HOUR	1	BLACK
28-2	34500-93J11	METER ASSY, HOUR	1	WHITE
29	09471-12103	.BULB (12V,3W,T6.5)	1	
30	36615-96300	.TERMINAL	4	
31-1	34600-93J00	METER ASSY, VOLTAGE	1	BLACK
31-2	34600-93J11	METER ASSY, VOLTAGE	1	WHITE

FIG.224

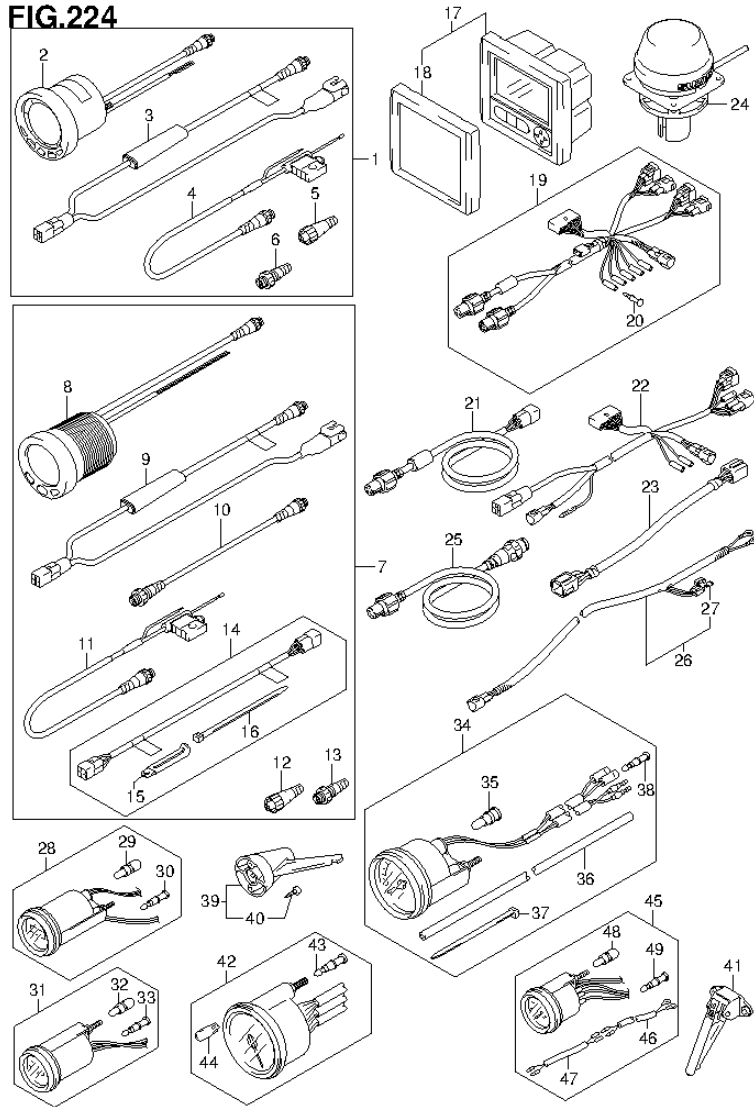


FIG.224 (2-I-3) OPT:METER (DF9.9BT P01)

REF NO.	PART NO.	DESCRIPTION	Q'TY	REMARKS
32	09471-12103	.BULB (12V,3W,T6.5)	1	
33	36615-96300	.TERMINAL	4	
34-1	34100-93J20	SPEEDOMETER ASSY	1	MAX 80KM/H BLACK
34-2	34100-93J31	SPEEDOMETER ASSY	1	MAX 80KM/H WHITE
34-3	34100-93J40	SPEEDOMETER ASSY	1	MAX 45KNOTS BLACK
34-4	34100-93J51	SPEEDOMETER ASSY	1	MAX 45KNOTS WHITE
35	09471-12028	.BULB (12V,3.4W)	1	
36	34191-92E00	.TUBE	1	
37	09407-14407	.CLAMP (L:145)	2	
38	36615-96300	.TERMINAL, RESIN	2	
39	34190-95500	SENDER ASSY, SPEEDOMETER	1	
40	03112-06303	.SCREW	2	
41	34190-87D00	SENDER ASSY, SPEEDOMETER	1	
42-1	34200-93J20	TACHOMETER ASSY	1	BLACK
42-2	34200-93J31	TACHOMETER ASSY	1	WHITE
43	36615-96300	.TERMINAL	4	
44	09471-12028	.BULB (12V,3.4W)	1	
45-1	34300-93J00	GAUGE ASSY, FUEL	1	BLACK
45-2	34300-93J11	GAUGE ASSY, FUEL	1	WHITE
46	34310-92E00	.LEAD, FUEL GAUGE	1	
47	34360-92E00	.ADAPTER, FUEL GAUGE	1	
48	09471-12103	.BULB (12V,3W,T6.5)	1	
49	36615-96300	.TERMINAL	5	

FIG.225

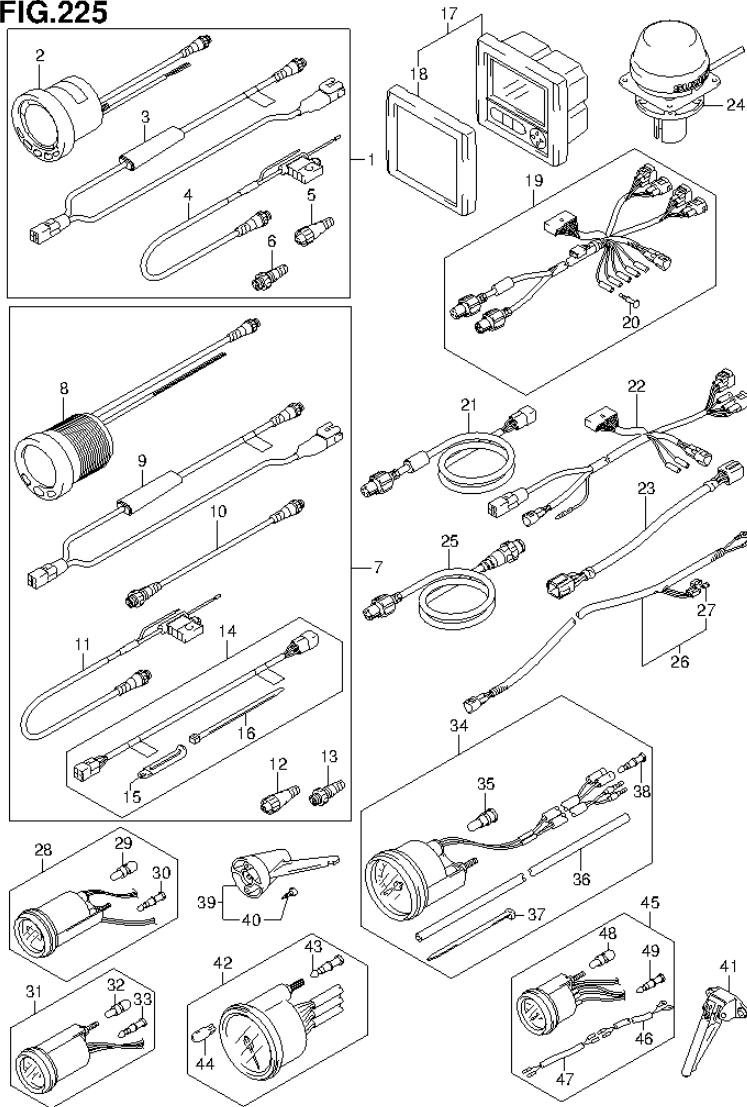


FIG.225 (2-I-4) OPT:METER (DF15AR P01)

REF NO.	PART NO.	DESCRIPTION	Q'TY	REMARKS
1	34011-88L02	KIT, 4 IN MULTI GAUGE	1	
2	34200-88L02	.GAUGE ASSY, 4 IN MULTI	1	
3	34922-88L01	.UNIT, INTERFACE	1	
4	36663-88L00	.HARNESS ASSY, NETWORK POWER	1	
5	36665-88L00	.UNIT, RESISTOR FEMALE	1	
6	36665-88L10	.UNIT, RESISTOR MALE	1	
7	34011-89L00	KIT, 2 IN MULTI GAUGE	1	
8	34800-88L01	.GAUGE ASSY, 2 IN MULTI	1	
9	34922-88L01	.UNIT, INTERFACE	1	
10	36662-88L00	.WIRE, 25 EXTENSION	1	
11	36663-88L00	.HARNESS ASSY, NETWORK POWER	1	
12	36665-88L00	.UNIT, RESISTOR FEMALE	1	
13	36665-88L10	.UNIT, RESISTOR MALE	1	
14	36660-89L00	.SET, ENG TO INTERFACE WIRE	1	
15	29404-93J10	.CLAMP	1	
16	09407-14407	..CLAMP (L:145)	3	
17	34200-87L12	GAUGE ASSY, MULTI	1	
18	34211-87L00	.COVER, FRONT	1	
19	36661-87L00	ADAPTER, GAUGE	1	
20	36615-96300	.TERMINAL, RESIN	5	
21	36664-87L00	ADAPTER, GAUGE DUAL STATION	1	
22	36665-87L00	ADAPTER, GAUGE FOR MULTI	1	
23	36682-92E00	WIRE, TRIM METER	1	
24	39950-87L00	MODULE ASSY, GPS RECIVER	1	
25	36666-87L00	WIRE, NETWORK	1	
26-1	36663-98J00	HARNESS, ACTIVE HUB POWER	1	2.5M
26-2	36663-98J10	HARNESS, ACTIVE HUB POWER	1	6M
27	09481-05501	.FUSE (5A)	1	
28-1	34500-93J00	METER ASSY, HOUR	1	BLACK
28-2	34500-93J11	METER ASSY, HOUR	1	WHITE
29	09471-12103	.BULB (12V,3W,T6.5)	1	
30	36615-96300	.TERMINAL	4	
31-1	34600-93J00	METER ASSY, VOLTAGE	1	BLACK
31-2	34600-93J11	METER ASSY, VOLTAGE	1	WHITE

FIG.225

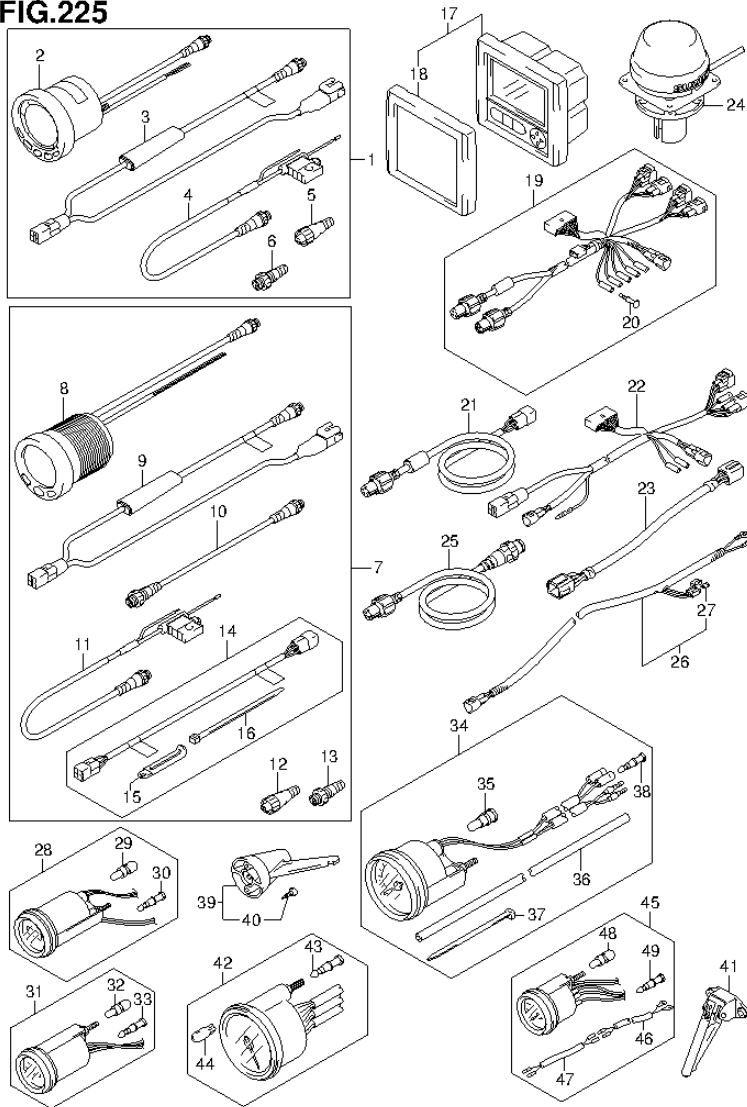


FIG.225 (2-I-5) OPT:METER (DF15AR P01)

REF NO.	PART NO.	DESCRIPTION	Q'TY	REMARKS
32	09471-12103	.BULB (12V,3W,T6.5)	1	
33	36615-96300	.TERMINAL	4	
34-1	34100-93J20	SPEEDOMETER ASSY	1	MAX 80KM/H BLACK
34-2	34100-93J31	SPEEDOMETER ASSY	1	MAX 80KM/H WHITE
34-3	34100-93J40	SPEEDOMETER ASSY	1	MAX 45KNOTS BLACK
34-4	34100-93J51	SPEEDOMETER ASSY	1	MAX 45KNOTS WHITE
35	09471-12028	.BULB (12V,3.4W)	1	
36	34191-92E00	.TUBE	1	
37	09407-14407	.CLAMP (L:145)	2	
38	36615-96300	.TERMINAL, RESIN	2	
39	34190-95500	SENDER ASSY, SPEEDOMETER	1	
40	03112-06303	.SCREW	2	
41	34190-87D00	SENDER ASSY, SPEEDOMETER	1	
42-1	34200-93J20	TACHOMETER ASSY	1	BLACK
42-2	34200-93J31	TACHOMETER ASSY	1	WHITE
43	36615-96300	.TERMINAL	4	
44	09471-12028	.BULB (12V,3.4W)	1	
45-1	34300-93J00	GAUGE ASSY, FUEL	1	BLACK
45-2	34300-93J11	GAUGE ASSY, FUEL	1	WHITE
46	34310-92E00	.LEAD, FUEL GAUGE	1	
47	34360-92E00	.ADAPTER, FUEL GAUGE	1	
48	09471-12103	.BULB (12V,3W,T6.5)	1	
49	36615-96300	.TERMINAL	5	

FIG.226

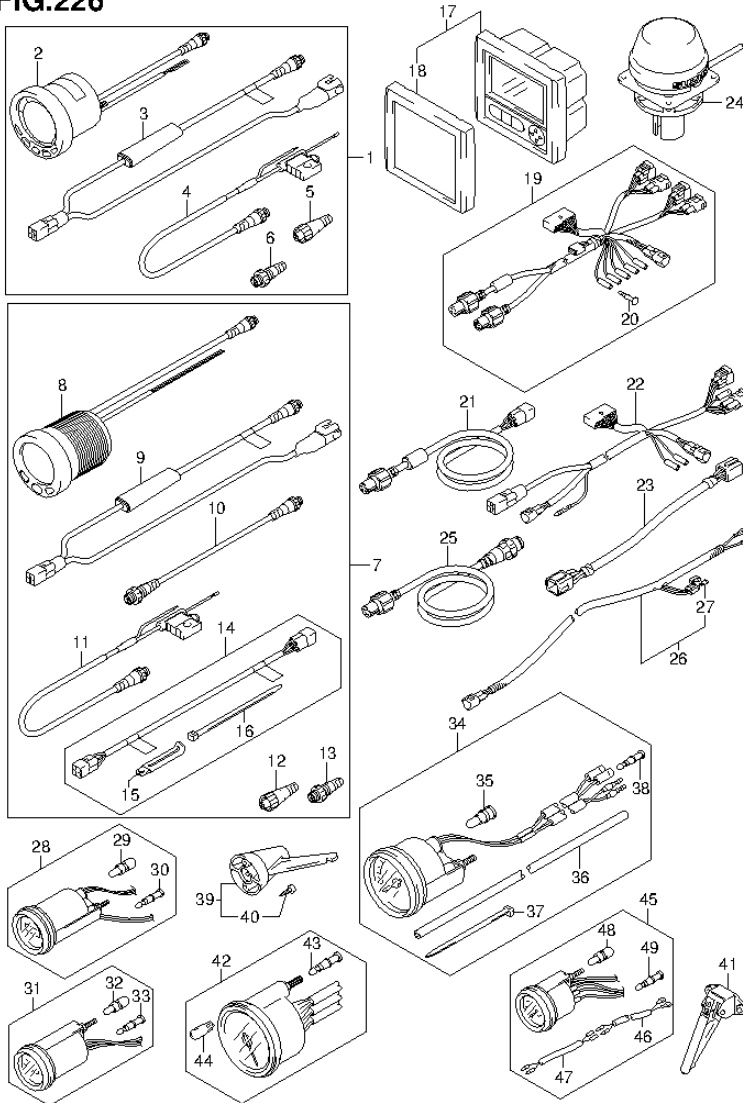


FIG.226 (2-I-6) OPT:METER (DF20AR P01)

REF NO.	PART NO.	DESCRIPTION	Q'TY	REMARKS
1	34011-88L02	KIT, 4 IN MULTI GAUGE	1	
2	34200-88L02	.GAUGE ASSY, 4 IN MULTI	1	
3	34922-88L01	.UNIT, INTERFACE	1	
4	36663-88L00	.HARNESS ASSY, NETWORK POWER	1	
5	36665-88L00	.UNIT, RESISTOR FEMALE	1	
6	36665-88L10	.UNIT, RESISTOR MALE	1	
7	34011-89L00	KIT, 2 IN MULTI GAUGE	1	
8	34800-88L01	.GAUGE ASSY, 2 IN MULTI	1	
9	34922-88L01	.UNIT, INTERFACE	1	
10	36662-88L00	.WIRE, 25 EXTENSION	1	
11	36663-88L00	.HARNESS ASSY, NETWORK POWER	1	
12	36665-88L00	.UNIT, RESISTOR FEMALE	1	
13	36665-88L10	.UNIT, RESISTOR MALE	1	
14	36660-89L00	.SET, ENG TO INTERFACE WIRE	1	
15	29404-93J10	..CLAMP	1	
16	09407-14407	..CLAMP (L:145)	3	
17	34200-87L12	GAUGE ASSY, MULTI	1	
18	34211-87L00	.COVER, FRONT	1	
19	36661-87L00	ADAPTER, GAUGE	1	
20	36615-96300	.TERMINAL, RESIN	5	
21	36664-87L00	ADAPTER, GAUGE DUAL STATION	1	
22	36665-87L00	ADAPTER, GAUGE FOR MULTI	1	
23	36682-92E00	WIRE, TRIM METER	1	
24	39950-87L00	MODULE ASSY, GPS RECIVER	1	
25	36666-87L00	WIRE, NETWORK	1	
26-1	36663-98J00	HARNESS, ACTIVE HUB POWER	1	2.5M
26-2	36663-98J10	HARNESS, ACTIVE HUB POWER	1	6M
27	09481-05501	.FUSE (5A)	1	
28-1	34500-93J00	METER ASSY, HOUR	1	BLACK
28-2	34500-93J11	METER ASSY, HOUR	1	WHITE
29	09471-12103	.BULB (12V,3W,T6.5)	1	
30	36615-96300	.TERMINAL	4	
31-1	34600-93J00	METER ASSY, VOLTAGE	1	BLACK
31-2	34600-93J11	METER ASSY, VOLTAGE	1	WHITE

FIG.226

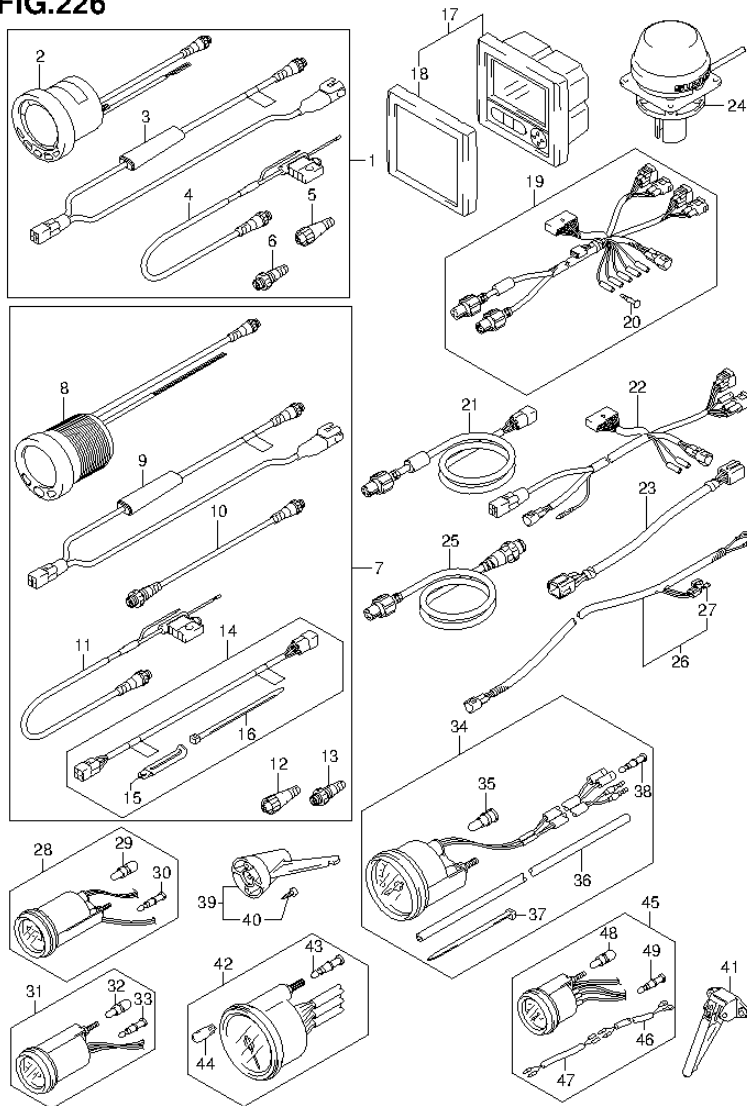


FIG.226 (2-I-7) OPT:METER (DF20AR P01)

REF NO.	PART NO.	DESCRIPTION	Q'TY	REMARKS
32	09471-12103	.BULB (12V,3W,T6.5)	1	
33	36615-96300	.TERMINAL	4	
34-1	34100-93J20	SPEEDOMETER ASSY	1	MAX 80KM/H BLACK
34-2	34100-93J31	SPEEDOMETER ASSY	1	MAX 80KM/H WHITE
34-3	34100-93J40	SPEEDOMETER ASSY	1	MAX 45KNOTS BLACK
34-4	34100-93J51	SPEEDOMETER ASSY	1	MAX 45KNOTS WHITE
35	09471-12028	.BULB (12V,3.4W)	1	
36	34191-92E00	.TUBE	1	
37	09407-14407	.CLAMP (L:145)	2	
38	36615-96300	.TERMINAL, RESIN	2	
39	34190-95500	SENDER ASSY, SPEEDOMETER	1	
40	03112-06303	.SCREW	2	
41	34190-87D00	SENDER ASSY, SPEEDOMETER	1	
42-1	34200-93J20	TACHOMETER ASSY	1	BLACK
42-2	34200-93J31	TACHOMETER ASSY	1	WHITE
43	36615-96300	.TERMINAL	4	
44	09471-12028	.BULB (12V,3.4W)	1	
45-1	34300-93J00	GAUGE ASSY, FUEL	1	BLACK
45-2	34300-93J11	GAUGE ASSY, FUEL	1	WHITE
46	34310-92E00	.LEAD, FUEL GAUGE	1	
47	34360-92E00	.ADAPTER, FUEL GAUGE	1	
48	09471-12103	.BULB (12V,3W,T6.5)	1	
49	36615-96300	.TERMINAL	5	

FIG.227

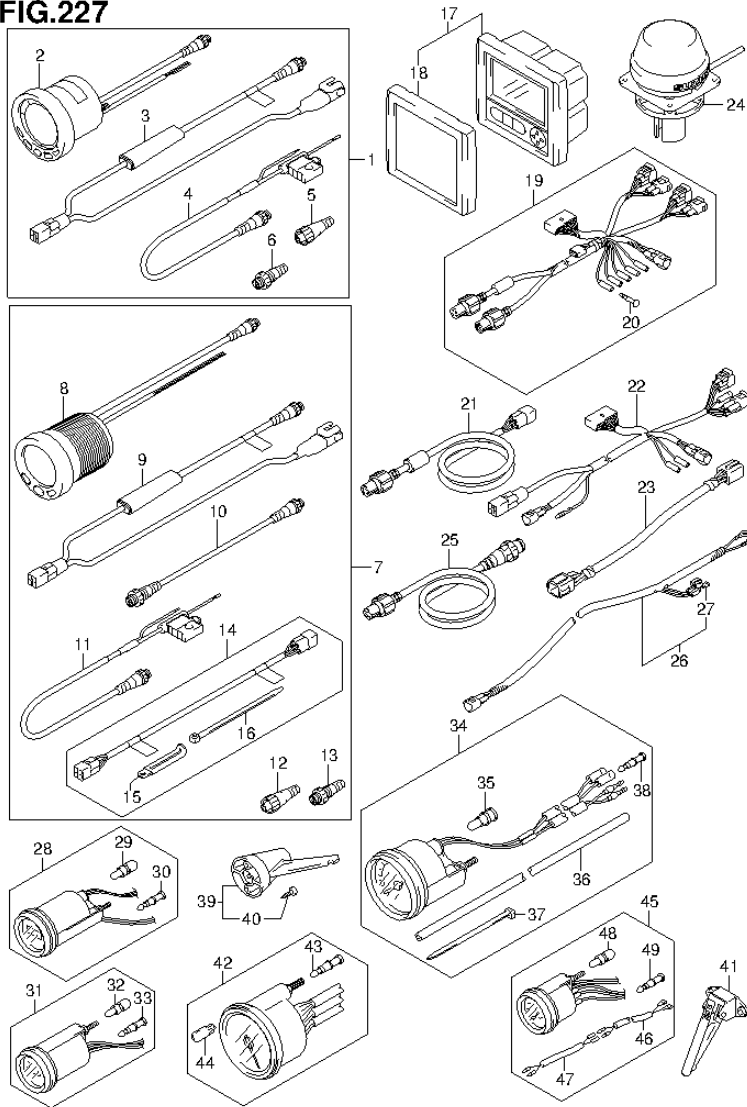


FIG.227 (2-I-8) OPT:METER (DF20AT P01)

REF NO.	PART NO.	DESCRIPTION	Q'TY	REMARKS
1	34011-88L02	KIT, 4 IN MULTI GAUGE	1	
2	34200-88L02	.GAUGE ASSY, 4 IN MULTI	1	
3	34922-88L01	.UNIT, INTERFACE	1	
4	36663-88L00	.HARNESS ASSY, NETWORK POWER	1	
5	36665-88L00	.UNIT, RESISTOR FEMALE	1	
6	36665-88L10	.UNIT, RESISTOR MALE	1	
7	34011-89L00	KIT, 2 IN MULTI GAUGE	1	
8	34800-88L01	.GAUGE ASSY, 2 IN MULTI	1	
9	34922-88L01	.UNIT, INTERFACE	1	
10	36662-88L00	.WIRE, 25 EXTENSION	1	
11	36663-88L00	.HARNESS ASSY, NETWORK POWER	1	
12	36665-88L00	.UNIT, RESISTOR FEMALE	1	
13	36665-88L10	.UNIT, RESISTOR MALE	1	
14	36660-89L00	.SET, ENG TO INTERFACE WIRE	1	
15	29404-93J10	..CLAMP	1	
16	09407-14407	..CLAMP (L:145)	3	
17	34200-87L12	GAUGE ASSY, MULTI	1	
18	34211-87L00	.COVER, FRONT	1	
19	36661-87L00	ADAPTER, GAUGE	1	
20	36615-96300	.TERMINAL, RESIN	5	
21	36664-87L00	ADAPTER, GAUGE DUAL STATION	1	
22	36665-87L00	ADAPTER, GAUGE FOR MULTI	1	
23	36682-92E00	WIRE, TRIM METER	1	
24	39950-87L00	MODULE ASSY, GPS RECIVER	1	
25	36666-87L00	WIRE, NETWORK	1	
26-1	36663-98J00	HARNESS, ACTIVE HUB POWER	1	2.5M
26-2	36663-98J10	HARNESS, ACTIVE HUB POWER	1	6M
27	09481-05501	.FUSE (5A)	1	
28-1	34500-93J00	METER ASSY, HOUR	1	BLACK
28-2	34500-93J11	METER ASSY, HOUR	1	WHITE
29	09471-12103	.BULB (12V,3W,T6.5)	1	
30	36615-96300	.TERMINAL	4	
31-1	34600-93J00	METER ASSY, VOLTAGE	1	BLACK
31-2	34600-93J11	METER ASSY, VOLTAGE	1	WHITE



FIG.227

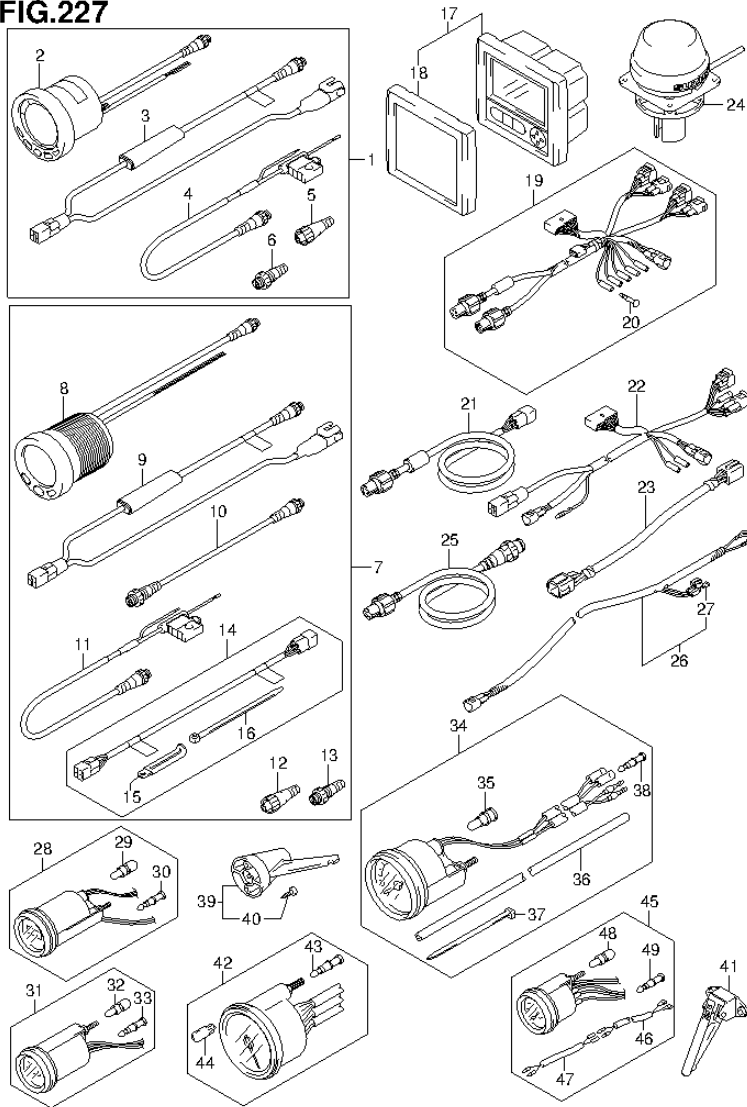


FIG.227 (2-I-9) OPT:METER (DF20AT P01)

REF NO.	PART NO.	DESCRIPTION	Q'TY	REMARKS
32	09471-12103	.BULB (12V,3W,T6.5)	1	
33	36615-96300	.TERMINAL	4	
34-1	34100-93J20	SPEEDOMETER ASSY	1	MAX 80KM/H BLACK
34-2	34100-93J31	SPEEDOMETER ASSY	1	MAX 80KM/H WHITE
34-3	34100-93J40	SPEEDOMETER ASSY	1	MAX 45KNOTS BLACK
34-4	34100-93J51	SPEEDOMETER ASSY	1	MAX 45KNOTS WHITE
35	09471-12028	.BULB (12V,3.4W)	1	
36	34191-92E00	.TUBE	1	
37	09407-14407	.CLAMP (L:145)	2	
38	36615-96300	.TERMINAL, RESIN	2	
39	34190-95500	SENDER ASSY, SPEEDOMETER	1	
40	03112-06303	.SCREW	2	
41	34190-87D00	SENDER ASSY, SPEEDOMETER	1	
42-1	34200-93J20	TACHOMETER ASSY	1	BLACK
42-2	34200-93J31	TACHOMETER ASSY	1	WHITE
43	36615-96300	.TERMINAL	4	
44	09471-12028	.BULB (12V,3.4W)	1	
45-1	34300-93J00	GAUGE ASSY, FUEL	1	BLACK
45-2	34300-93J11	GAUGE ASSY, FUEL	1	WHITE
46	34310-92E00	.LEAD, FUEL GAUGE	1	
47	34360-92E00	.ADAPTER, FUEL GAUGE	1	
48	09471-12103	.BULB (12V,3W,T6.5)	1	
49	36615-96300	.TERMINAL	5	

FIG.228

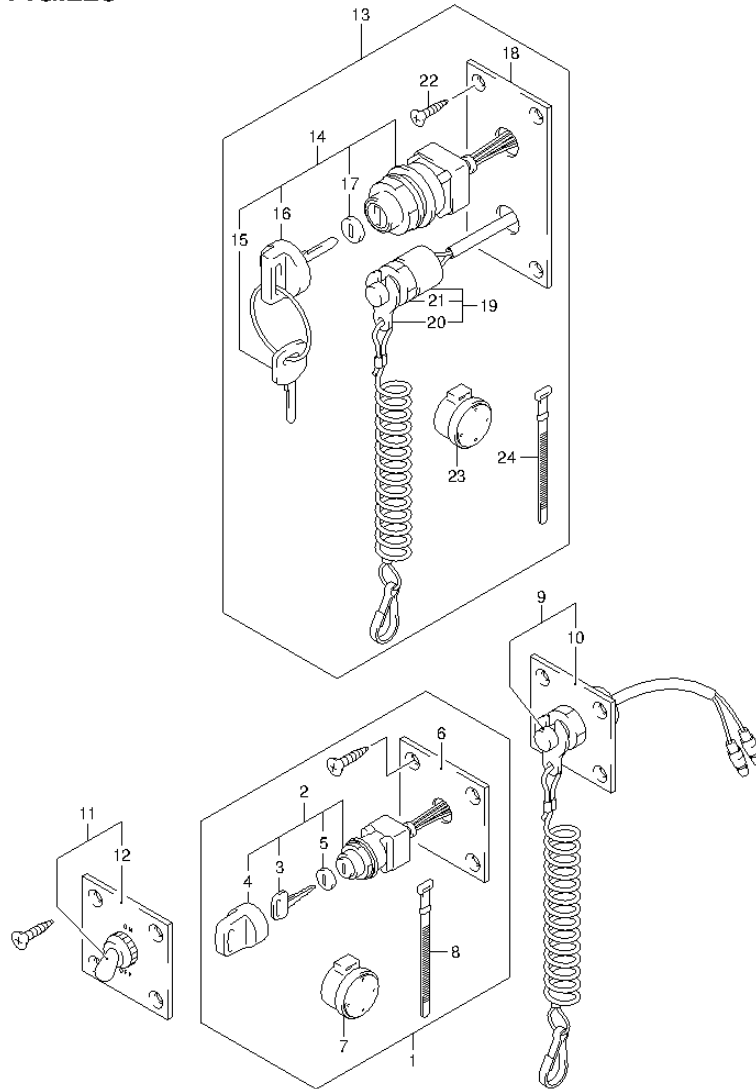


FIG.228 (2-I-10) OPT:SWITCH (DF9.9BR P01)

REF NO.	PART NO.	DESCRIPTION	Q'TY	REMARKS
1	37100-96J00	PANEL ASSY, IGNITION SW	1	
2	37110-93J01	.SWITCH ASSY, IGNITION	1	
3-1	37141-99E00	..KEY (931)	2	
3-2	37141-99E10	..KEY (932)	2	
3-3	37141-99E20	..KEY (933)	2	
3-4	37141-99E30	..KEY (934)	2	
3-5	37141-99E40	..KEY (935)	2	
3-6	37141-99E50	..KEY (936)	2	
3-7	37141-99E60	..KEY (937)	2	
3-8	37141-99E70	..KEY (938)	2	
3-9	37141-99E80	..KEY (939)	2	
3-10	37141-99E90	..KEY (940)	2	
3-11	37141-99EA0	..KEY (941)	2	
3-12	37141-99EB0	..KEY (942)	2	
4	37143-99E00	..CAP, KEY	1	
5	37149-93J00	..CAP, CYLINDER BODY	1	
6	37139-99E00	.PANEL, IGNITION SW	1	
7	38500-93J90	.BUZZER ASSY, WARNING	1	
8	09407-08401	.CLAMP (L:80)	1	
9	37803-93J03	PANEL ASSY, EMERGENCY SW	1	
10	37825-99E00	.PANEL, EMERGENCY SW	1	
11	37210-93J00	PANEL ASSY, LIGHTING SW	1	
12	37212-93J00	.PANEL, LIGHTING SW	1	

FIG.228

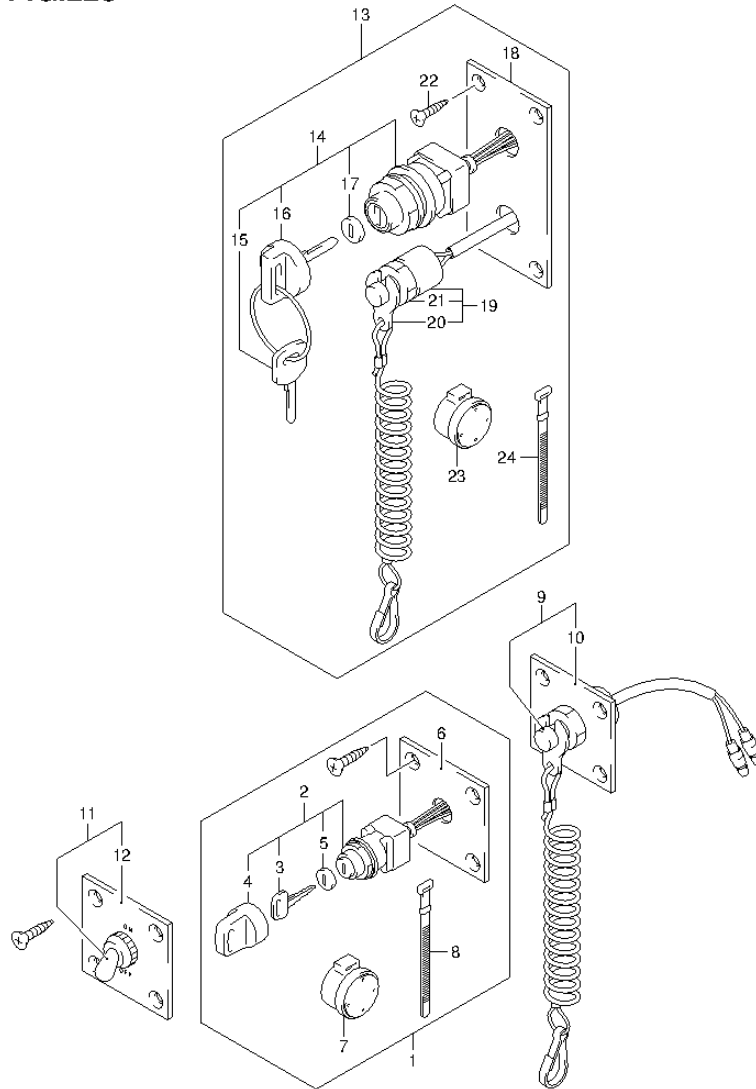
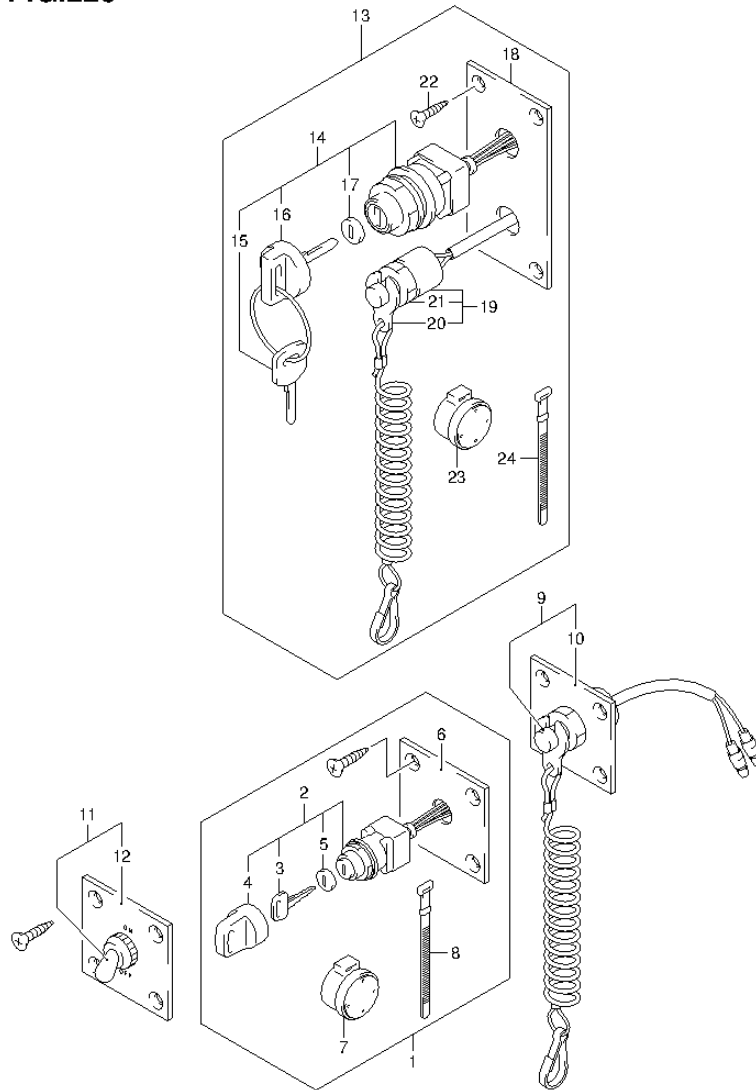


FIG.228 (2-I-11) OPT:SWITCH (DF9.9BR P01)

REF NO.	PART NO.	DESCRIPTION	Q'TY	REMARKS
13	37100-96J23	PANEL ASSY, ENGINE SW	1	
14	37110-93J01	.SWITCH ASSY, IGNITION	1	
15-1	37141-99E00	..KEY (931)	2	
15-2	37141-99E10	..KEY (932)	2	
15-3	37141-99E20	..KEY (933)	2	
15-4	37141-99E30	..KEY (934)	2	
15-5	37141-99E40	..KEY (935)	2	
15-6	37141-99E50	..KEY (936)	2	
15-7	37141-99E60	..KEY (937)	2	
15-8	37141-99E70	..KEY (938)	2	
15-9	37141-99E80	..KEY (939)	2	
15-10	37141-99E90	..KEY (940)	2	
15-11	37141-99EA0	..KEY (941)	2	
15-12	37141-99EB0	..KEY (942)	2	
16	37143-99E00	..CAP, KEY	1	
17	37149-93J00	..CAP, CYLINDER BODY	1	
18	37139-99E20	.PANEL, IGNITION SWITCH	1	
19	37820-93J03	.SWITCH ASSY, EMERGENCY	1	
20	37823-92E01	..PLATE ASSY, EMERGENCY	1	
21	37826-92E00	..NUT	1	
22	03121-0516A	.SCREW	4	
23	38500-93J90	.BUZZER ASSY, WARNING	1	
24	09407-08401	.CLAMP (L:80)	1	

FIG.229



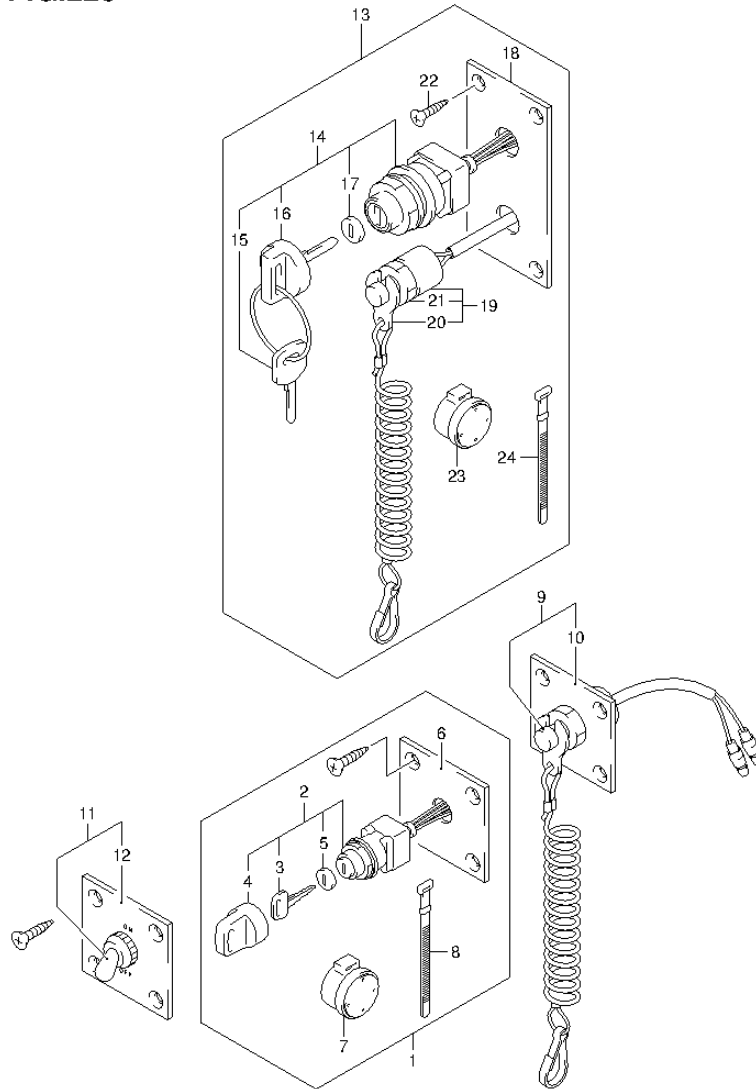
DF20A\_P01\_014\_229  
OPT:SWITCH

FIG.229 (2-I-12) OPT:SWITCH (DF9.9BT P01)

REF NO.	PART NO.	DESCRIPTION	Q'TY	REMARKS
1	37100-96J00	PANEL ASSY, IGNITION SW	1	
2	37110-93J01	.SWITCH ASSY, IGNITION	1	
3-1	37141-99E00	..KEY (931)	2	
3-2	37141-99E10	..KEY (932)	2	
3-3	37141-99E20	..KEY (933)	2	
3-4	37141-99E30	..KEY (934)	2	
3-5	37141-99E40	..KEY (935)	2	
3-6	37141-99E50	..KEY (936)	2	
3-7	37141-99E60	..KEY (937)	2	
3-8	37141-99E70	..KEY (938)	2	
3-9	37141-99E80	..KEY (939)	2	
3-10	37141-99E90	..KEY (940)	2	
3-11	37141-99EA0	..KEY (941)	2	
3-12	37141-99EB0	..KEY (942)	2	
4	37143-99E00	..CAP, KEY	1	
5	37149-93J00	..CAP, CYLINDER BODY	1	
6	37139-99E00	.PANEL, IGNITION SW	1	
7	38500-93J90	.BUZZER ASSY, WARNING	1	
8	09407-08401	.CLAMP (L:80)	1	
9	37803-93J03	PANEL ASSY, EMERGENCY SW	1	
10	37825-99E00	.PANEL, EMERGENCY SW	1	
11	37210-93J00	PANEL ASSY, LIGHTING SW	1	
12	37212-93J00	.PANEL, LIGHTING SW	1	

DF20A\_P01\_014

FIG.229



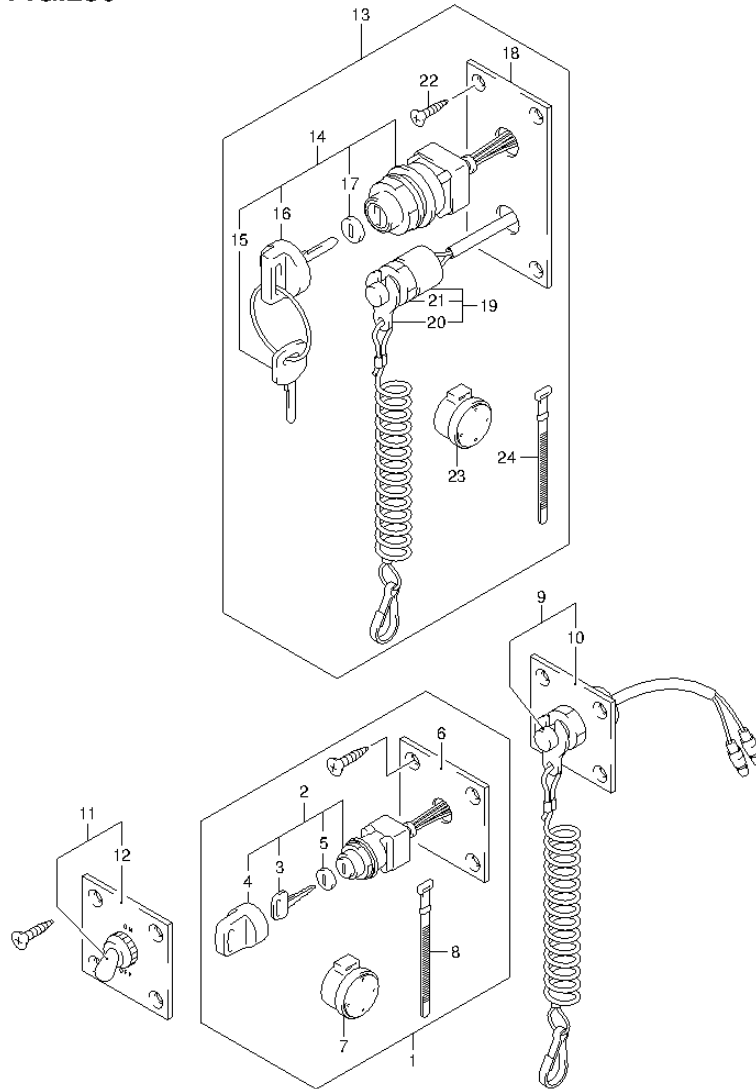
DF20A\_P01\_014\_229  
OPT:SWITCH

FIG.229 (2-I-13) OPT:SWITCH (DF9.9BT P01)

REF NO.	PART NO.	DESCRIPTION	Q'TY	REMARKS
13	37100-96J23	PANEL ASSY, ENGINE SW	1	
14	37110-93J01	.SWITCH ASSY, IGNITION	1	
15-1	37141-99E00	..KEY (931)	2	
15-2	37141-99E10	..KEY (932)	2	
15-3	37141-99E20	..KEY (933)	2	
15-4	37141-99E30	..KEY (934)	2	
15-5	37141-99E40	..KEY (935)	2	
15-6	37141-99E50	..KEY (936)	2	
15-7	37141-99E60	..KEY (937)	2	
15-8	37141-99E70	..KEY (938)	2	
15-9	37141-99E80	..KEY (939)	2	
15-10	37141-99E90	..KEY (940)	2	
15-11	37141-99EA0	..KEY (941)	2	
15-12	37141-99EB0	..KEY (942)	2	
16	37143-99E00	..CAP, KEY	1	
17	37149-93J00	..CAP, CYLINDER BODY	1	
18	37139-99E20	.PANEL, IGNITION SWITCH	1	
19	37820-93J03	.SWITCH ASSY, EMERGENCY	1	
20	37823-92E01	..PLATE ASSY, EMERGENCY	1	
21	37826-92E00	..NUT	1	
22	03121-0516A	.SCREW	4	
23	38500-93J90	.BUZZER ASSY, WARNING	1	
24	09407-08401	.CLAMP (L:80)	1	

DF20A\_P01\_014

FIG.230



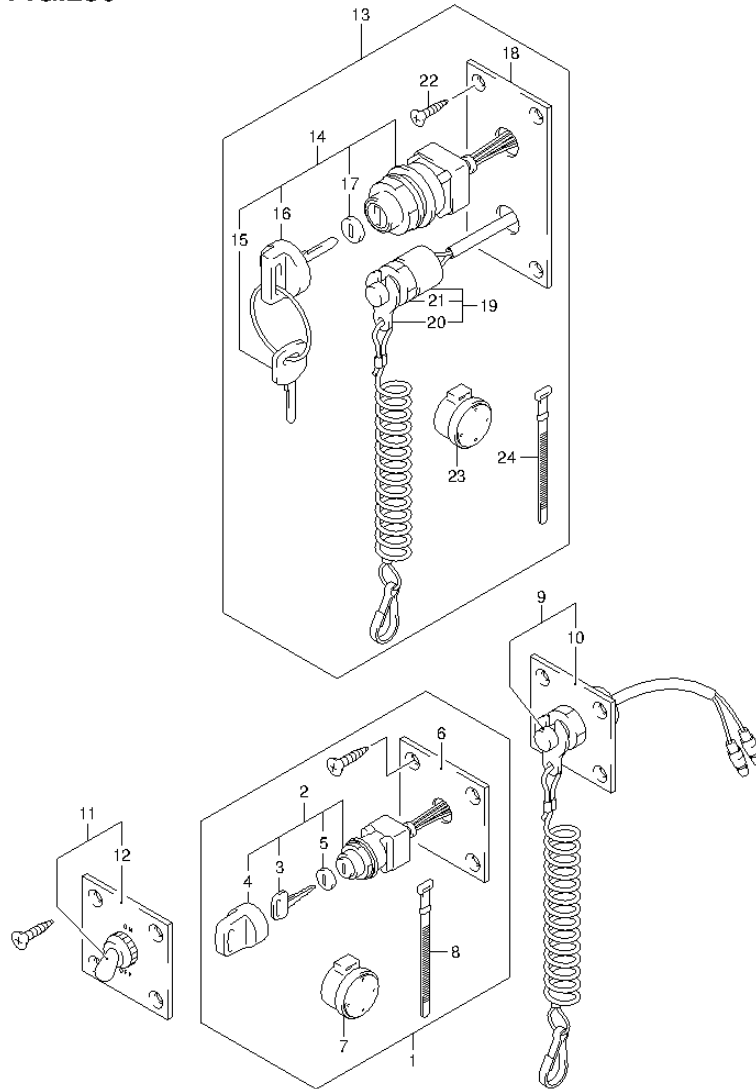
DF20A\_P01\_014\_230  
OPT:SWITCH

FIG.230 (2-I-14) OPT:SWITCH (DF15AR P01)

REF NO.	PART NO.	DESCRIPTION	Q'TY	REMARKS
1	37100-96J00	PANEL ASSY, IGNITION SW	1	
2	37110-93J01	.SWITCH ASSY, IGNITION	1	
3-1	37141-99E00	..KEY (931)	2	
3-2	37141-99E10	..KEY (932)	2	
3-3	37141-99E20	..KEY (933)	2	
3-4	37141-99E30	..KEY (934)	2	
3-5	37141-99E40	..KEY (935)	2	
3-6	37141-99E50	..KEY (936)	2	
3-7	37141-99E60	..KEY (937)	2	
3-8	37141-99E70	..KEY (938)	2	
3-9	37141-99E80	..KEY (939)	2	
3-10	37141-99E90	..KEY (940)	2	
3-11	37141-99EA0	..KEY (941)	2	
3-12	37141-99EB0	..KEY (942)	2	
4	37143-99E00	..CAP, KEY	1	
5	37149-93J00	..CAP, CYLINDER BODY	1	
6	37139-99E00	.PANEL, IGNITION SW	1	
7	38500-93J90	.BUZZER ASSY, WARNING	1	
8	09407-08401	.CLAMP (L:80)	1	
9	37803-93J03	PANEL ASSY, EMERGENCY SW	1	
10	37825-99E00	.PANEL, EMERGENCY SW	1	
11	37210-93J00	PANEL ASSY, LIGHTING SW	1	
12	37212-93J00	.PANEL, LIGHTING SW	1	

DF20A\_P01\_014

FIG.230



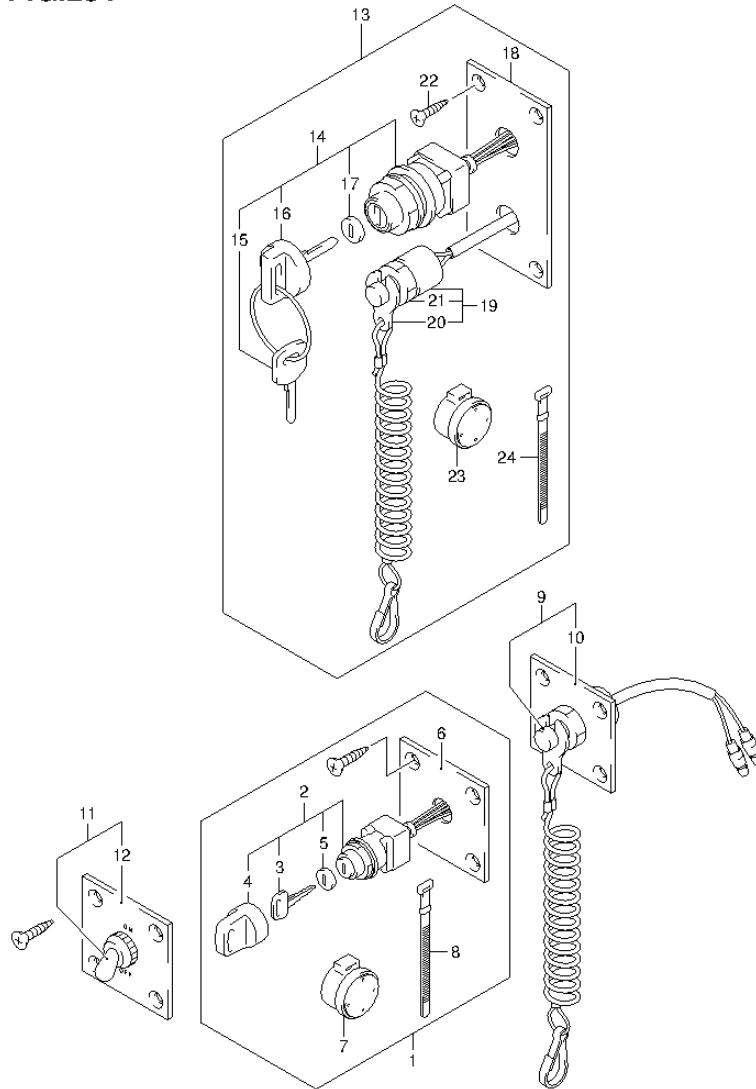
DF20A\_P01\_014\_230  
OPT:SWITCH

FIG.230 (2-I-15) OPT:SWITCH (DF15AR P01)

REF NO.	PART NO.	DESCRIPTION	Q'TY	REMARKS
13	37100-96J23	PANEL ASSY, ENGINE SW	1	
14	37110-93J01	..SWITCH ASSY, IGNITION	1	
15-1	37141-99E00	..KEY (931)	2	
15-2	37141-99E10	..KEY (932)	2	
15-3	37141-99E20	..KEY (933)	2	
15-4	37141-99E30	..KEY (934)	2	
15-5	37141-99E40	..KEY (935)	2	
15-6	37141-99E50	..KEY (936)	2	
15-7	37141-99E60	..KEY (937)	2	
15-8	37141-99E70	..KEY (938)	2	
15-9	37141-99E80	..KEY (939)	2	
15-10	37141-99E90	..KEY (940)	2	
15-11	37141-99EA0	..KEY (941)	2	
15-12	37141-99EB0	..KEY (942)	2	
16	37143-99E00	..CAP, KEY	1	
17	37149-93J00	..CAP, CYLINDER BODY	1	
18	37139-99E20	..PANEL, IGNITION SWITCH	1	
19	37820-93J03	..SWITCH ASSY, EMERGENCY	1	
20	37823-92E01	..PLATE ASSY, EMERGENCY	1	
21	37826-92E00	..NUT	1	
22	03121-0516A	..SCREW	4	
23	38500-93J90	..BUZZER ASSY, WARNING	1	
24	09407-08401	..CLAMP (L:80)	1	

DF20A\_P01\_014

FIG.231



DF20A\_P01\_014\_231  
OPT:SWITCH

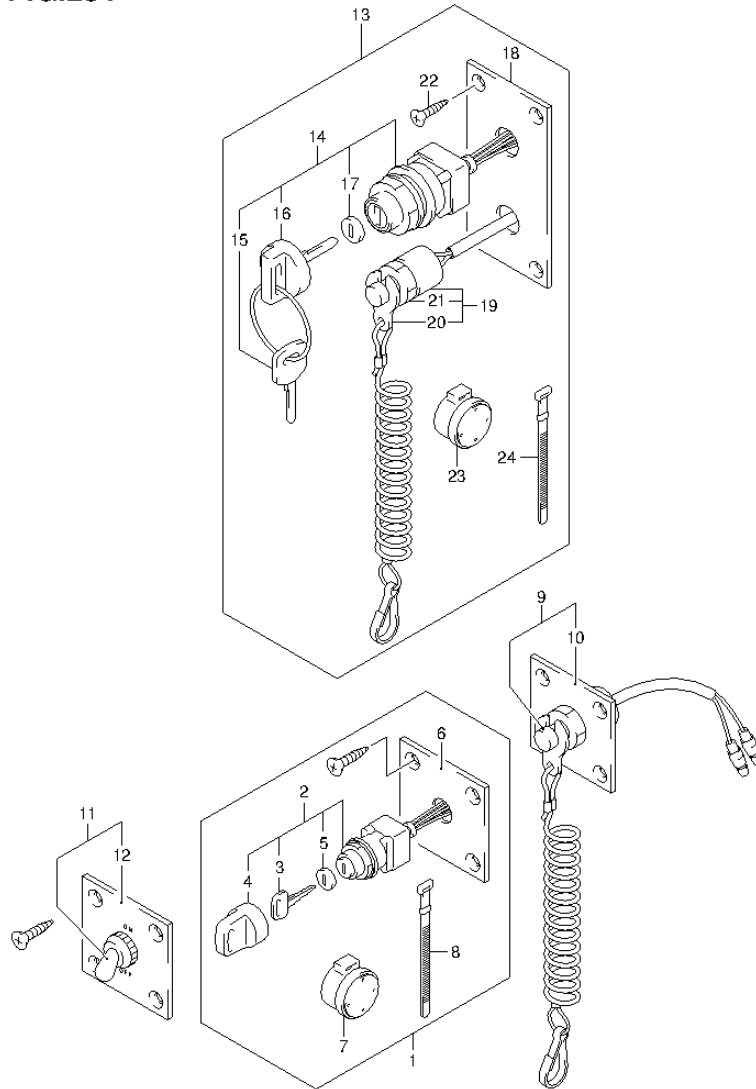
FIG.231 (2-J-2) OPT:SWITCH (DF20AR P01)

REF NO.	PART NO.	DESCRIPTION	Q'TY	REMARKS
1	37100-96J00	PANEL ASSY, IGNITION SW	1	
2	37110-93J01	.SWITCH ASSY, IGNITION	1	
3-1	37141-99E00	..KEY (931)	2	
3-2	37141-99E10	..KEY (932)	2	
3-3	37141-99E20	..KEY (933)	2	
3-4	37141-99E30	..KEY (934)	2	
3-5	37141-99E40	..KEY (935)	2	
3-6	37141-99E50	..KEY (936)	2	
3-7	37141-99E60	..KEY (937)	2	
3-8	37141-99E70	..KEY (938)	2	
3-9	37141-99E80	..KEY (939)	2	
3-10	37141-99E90	..KEY (940)	2	
3-11	37141-99EA0	..KEY (941)	2	
3-12	37141-99EB0	..KEY (942)	2	
4	37143-99E00	..CAP, KEY	1	
5	37149-93J00	..CAP, CYLINDER BODY	1	
6	37139-99E00	.PANEL, IGNITION SW	1	
7	38500-93J90	.BUZZER ASSY, WARNING	1	
8	09407-08401	.CLAMP (L:80)	1	
9	37803-93J03	PANEL ASSY, EMERGENCY SW	1	
10	37825-99E00	.PANEL, EMERGENCY SW	1	
11	37210-93J00	PANEL ASSY, LIGHTING SW	1	
12	37212-93J00	.PANEL, LIGHTING SW	1	

DF20A\_P01\_014



FIG.231



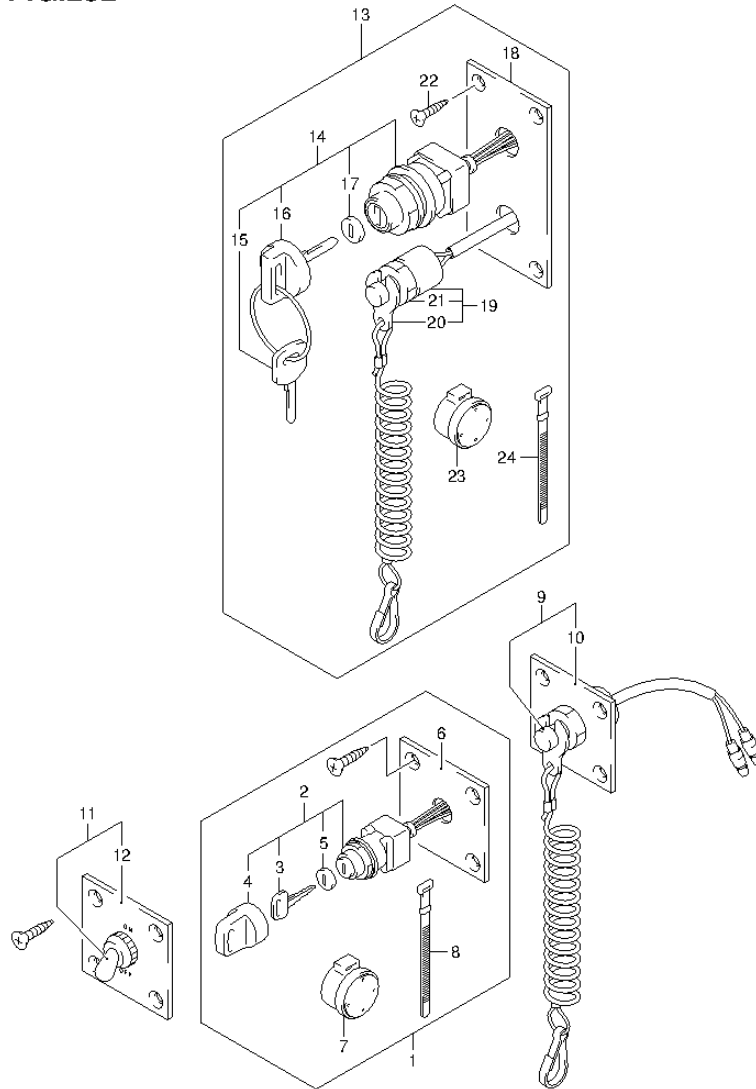
DF20A\_P01\_014\_231  
OPT:SWITCH

FIG.231 (2-J-3) OPT:SWITCH (DF20AR P01)

REF NO.	PART NO.	DESCRIPTION	Q'TY	REMARKS
13	37100-96J23	PANEL ASSY, ENGINE SW	1	
14	37110-93J01	..SWITCH ASSY, IGNITION	1	
15-1	37141-99E00	..KEY (931)	2	
15-2	37141-99E10	..KEY (932)	2	
15-3	37141-99E20	..KEY (933)	2	
15-4	37141-99E30	..KEY (934)	2	
15-5	37141-99E40	..KEY (935)	2	
15-6	37141-99E50	..KEY (936)	2	
15-7	37141-99E60	..KEY (937)	2	
15-8	37141-99E70	..KEY (938)	2	
15-9	37141-99E80	..KEY (939)	2	
15-10	37141-99E90	..KEY (940)	2	
15-11	37141-99EA0	..KEY (941)	2	
15-12	37141-99EB0	..KEY (942)	2	
16	37143-99E00	..CAP, KEY	1	
17	37149-93J00	..CAP, CYLINDER BODY	1	
18	37139-99E20	..PANEL, IGNITION SWITCH	1	
19	37820-93J03	..SWITCH ASSY, EMERGENCY	1	
20	37823-92E01	..PLATE ASSY, EMERGENCY	1	
21	37826-92E00	..NUT	1	
22	03121-0516A	..SCREW	4	
23	38500-93J90	..BUZZER ASSY, WARNING	1	
24	09407-08401	..CLAMP (L:80)	1	

DF20A\_P01\_014

FIG.232



DF20A\_P01\_014\_232  
OPT:SWITCH

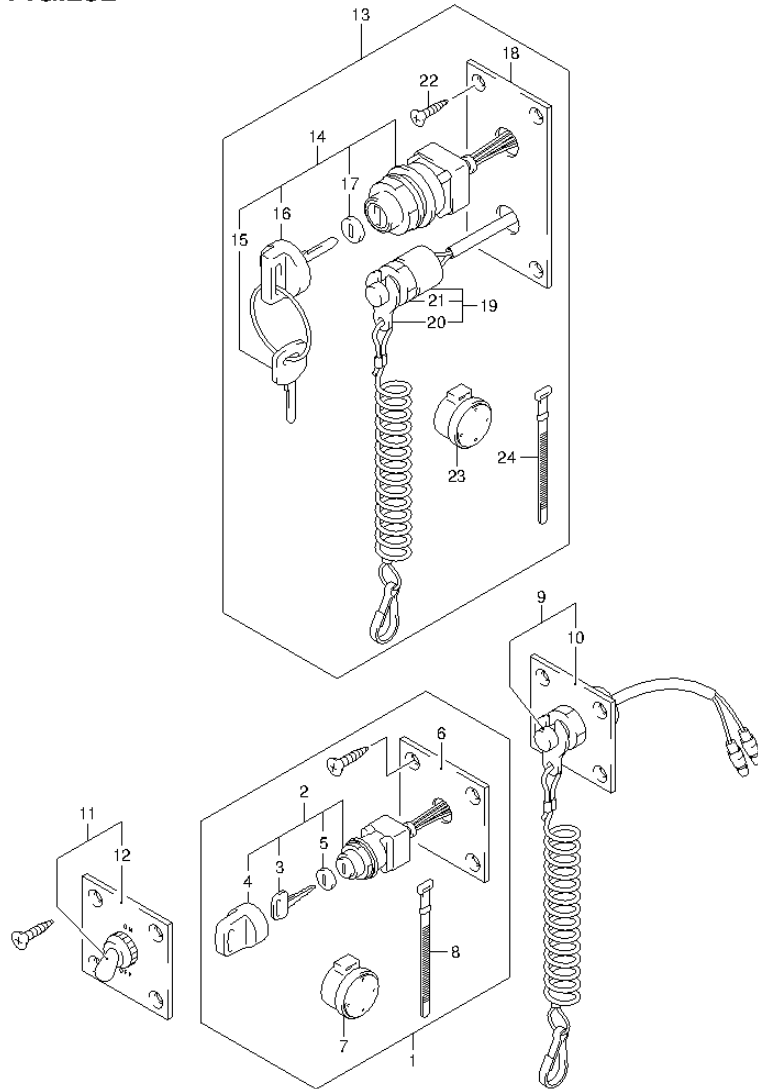
FIG.232 (2-J-4) OPT:SWITCH (DF20AT P01)

REF NO.	PART NO.	DESCRIPTION	Q'TY	REMARKS
1	37100-96J00	PANEL ASSY, IGNITION SW	1	
2	37110-93J01	.SWITCH ASSY, IGNITION	1	
3-1	37141-99E00	..KEY (931)	2	
3-2	37141-99E10	..KEY (932)	2	
3-3	37141-99E20	..KEY (933)	2	
3-4	37141-99E30	..KEY (934)	2	
3-5	37141-99E40	..KEY (935)	2	
3-6	37141-99E50	..KEY (936)	2	
3-7	37141-99E60	..KEY (937)	2	
3-8	37141-99E70	..KEY (938)	2	
3-9	37141-99E80	..KEY (939)	2	
3-10	37141-99E90	..KEY (940)	2	
3-11	37141-99EA0	..KEY (941)	2	
3-12	37141-99EB0	..KEY (942)	2	
4	37143-99E00	..CAP, KEY	1	
5	37149-93J00	..CAP, CYLINDER BODY	1	
6	37139-99E00	.PANEL, IGNITION SW	1	
7	38500-93J90	.BUZZER ASSY, WARNING	1	
8	09407-08401	.CLAMP (L:80)	1	
9	37803-93J03	PANEL ASSY, EMERGENCY SW	1	
10	37825-99E00	.PANEL, EMERGENCY SW	1	
11	37210-93J00	PANEL ASSY, LIGHTING SW	1	
12	37212-93J00	.PANEL, LIGHTING SW	1	

DF20A\_P01\_014

FIG.232

FIG.232 (2-J-5) OPT:SWITCH (DF20AT P01)



REF NO.	PART NO.	DESCRIPTION	Q'TY	REMARKS
13	37100-96J23	PANEL ASSY, ENGINE SW	1	
14	37110-93J01	..SWITCH ASSY, IGNITION	1	
15-1	37141-99E00	..KEY (931)	2	
15-2	37141-99E10	..KEY (932)	2	
15-3	37141-99E20	..KEY (933)	2	
15-4	37141-99E30	..KEY (934)	2	
15-5	37141-99E40	..KEY (935)	2	
15-6	37141-99E50	..KEY (936)	2	
15-7	37141-99E60	..KEY (937)	2	
15-8	37141-99E70	..KEY (938)	2	
15-9	37141-99E80	..KEY (939)	2	
15-10	37141-99E90	..KEY (940)	2	
15-11	37141-99EA0	..KEY (941)	2	
15-12	37141-99EB0	..KEY (942)	2	
16	37143-99E00	..CAP, KEY	1	
17	37149-93J00	..CAP, CYLINDER BODY	1	
18	37139-99E20	..PANEL, IGNITION SWITCH	1	
19	37820-93J03	..SWITCH ASSY, EMERGENCY	1	
20	37823-92E01	..PLATE ASSY, EMERGENCY	1	
21	37826-92E00	..NUT	1	
22	03121-0516A	..SCREW	4	
23	38500-93J90	..BUZZER ASSY, WARNING	1	
24	09407-08401	..CLAMP (L:80)	1	

FIG.233

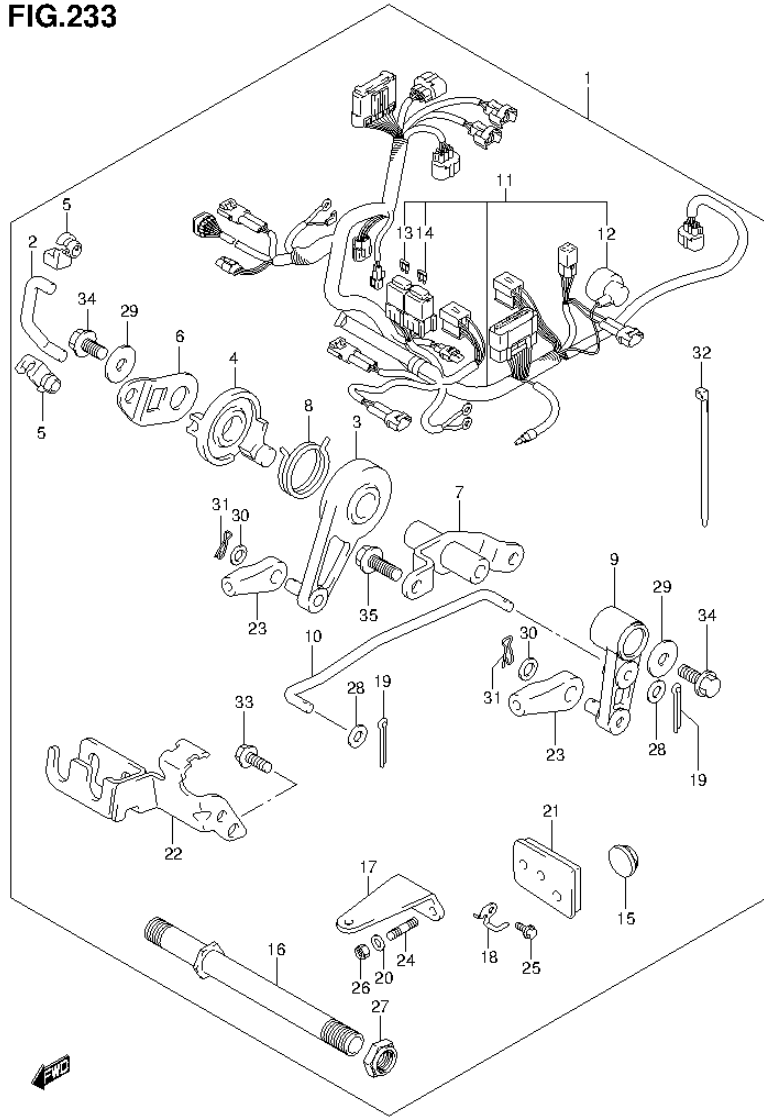


FIG.233 (2-J-6) OPT:REMOTE CONTROL PARTS (DF9.9B P01)

REF NO.	PART NO.	DESCRIPTION	Q'TY	REMARKS
1	67130-89L01	PARTS SET, R/CON	1	
2	13513-89L10	.ROD,THROTTLE	1	
3	19120-99J10	.LEVER, THROTTLE CONTROL	1	
4	19122-99J00	.LEVER, INTERLINK THROTTLE NO.2	1	
5	19131-89L00	.CONNECTOR	2	
6	19148-89L10	.LEVER, INTERLINK THROTTLE NO.1	1	
7	19150-89L00	.BRACKET, THROTTLE LEVER	1	
8	19185-99J00	.SPRING,THROTTLE LEVER	1	
9	21110-89L10	.LEVER, CLUTCH	1	
10	23115-89L10	.LINK, CLUTCH LEVER	1	
11	36610-89L21	.HARNES ASSY, WIRING	1	
12	36618-43410	..CAP. OIL PRESSURE SWITCH	1	
13	09481-10501	..FUSE (10A)	1	
14	09481-30501	..FUSE (30A)	1	
15	37163-89L00	.PLUG, STARTING SWITCH HOLE	1	
16	41130-89L00	.SHAFT, CLAMP BRACKET	1	
17	43755-99J00	.ATTACHMENT, STEERING BRACKET	1	
18	43759-89L00	.HOLDER, DRAIN HOSE	1	
19	09204-01002	.PIN	2	
20	09160-08082	.WASHER (8.5X16X1.2)	2	
21	61124-89L20	.GROMMET, R/CON CABLE	1	
22	67340-89L00	.HOLDER, R/CON CABLE	1	
23	67467-89J01	.CONNECTOR	2	
24	09108-08286	.STUD BOLT	2	
25	09116-06225	.BOLT (6X15)	1	
26	09159-08059	.NUT	2	
27	09159-22006	.NUT	1	

FIG.233

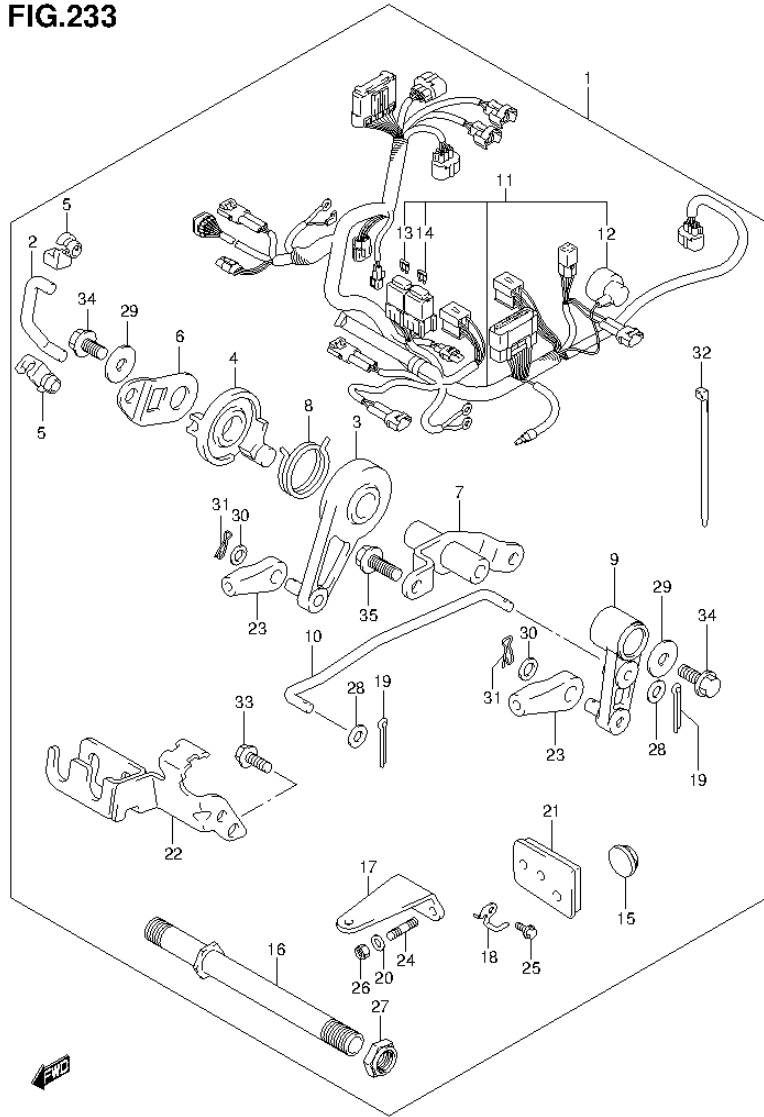


FIG.233 (2-J-7) OPT:REMOTE CONTROL PARTS (DF9.9B P01)

REF NO.	PART NO.	DESCRIPTION	Q'TY	REMARKS
28	09160-05029	.WASHER (5.5X12X0.8)	2	
29	09160-06046	.WASHER (6.5X20X1.5)	2	
30	09160-06055	.WASHER (7X12X1)	2	
31	09385-06012	.CLIP	2	
32	09407-14407	.CLAMP (L:145)	12	
33	01547-06167	.BOLT	2	
34	01550-06127	.BOLT	2	
35	01550-06167	.BOLT	2	

FIG.234

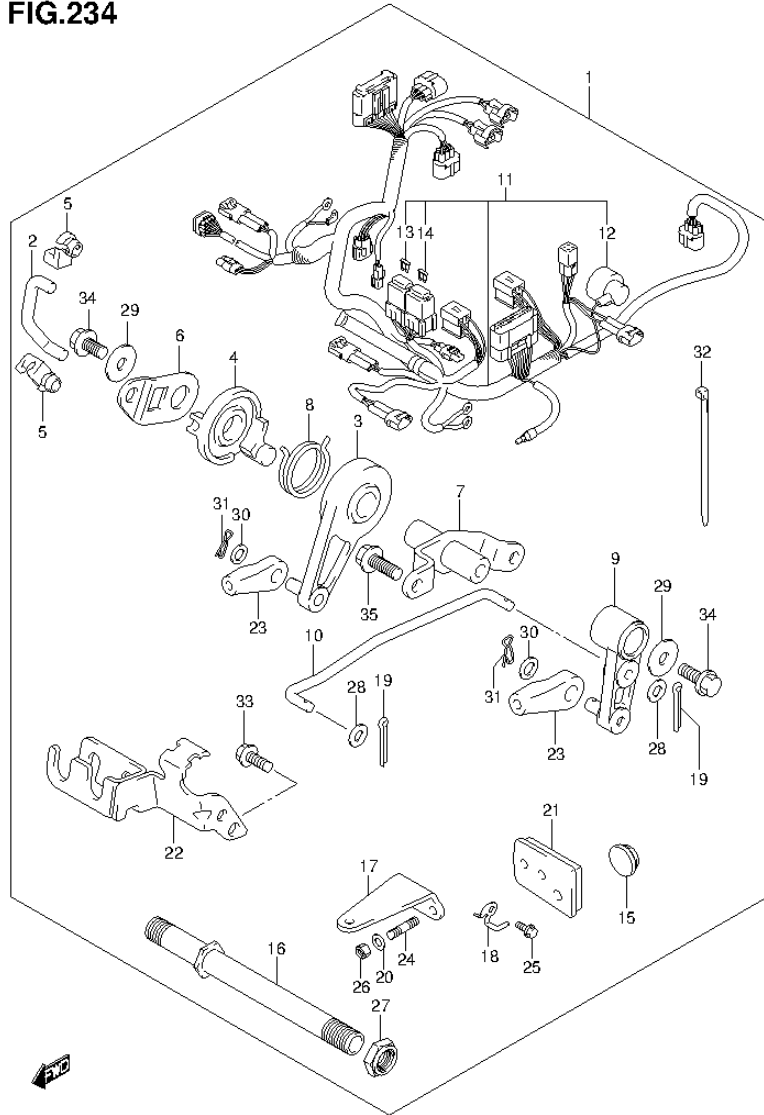


FIG.234 (2-J-8) OPT:REMOTE CONTROL PARTS (DF15A P01)

REF NO.	PART NO.	DESCRIPTION	Q'TY	REMARKS
1	67130-89L01	PARTS SET, R/CON	1	
2	13513-89L10	.ROD,THROTTLE	1	
3	19120-99J10	.LEVER, THROTTLE CONTROL	1	
4	19122-99J00	.LEVER, INTERLINK THROTTLE NO.2	1	
5	19131-89L00	.CONNECTOR	2	
6	19148-89L10	.LEVER, INTERLINK THROTTLE NO.1	1	
7	19150-89L00	.BRACKET, THROTTLE LEVER	1	
8	19185-99J00	.SPRING,THROTTLE LEVER	1	
9	21110-89L10	.LEVER, CLUTCH	1	
10	23115-89L10	.LINK, CLUTCH LEVER	1	
11	36610-89L21	.HARNES ASSY, WIRING	1	
12	36618-43410	..CAP. OIL PRESSURE SWITCH	1	
13	09481-10501	..FUSE (10A)	1	
14	09481-30501	..FUSE (30A)	1	
15	37163-89L00	.PLUG, STARTING SWITCH HOLE	1	
16	41130-89L00	.SHAFT, CLAMP BRACKET	1	
17	43755-99J00	.ATTACHMENT, STEERING BRACKET	1	
18	43759-89L00	.HOLDER, DRAIN HOSE	1	
19	09204-01002	.PIN	2	
20	09160-08082	.WASHER (8.5X16X1.2)	2	
21	61124-89L20	.GROMMET, R/CON CABLE	1	
22	67340-89L00	.HOLDER, R/CON CABLE	1	
23	67467-89J01	.CONNECTOR	2	
24	09108-08286	.STUD BOLT	2	
25	09116-06225	.BOLT (6X15)	1	
26	09159-08059	.NUT	2	
27	09159-22006	.NUT	1	

FIG.234

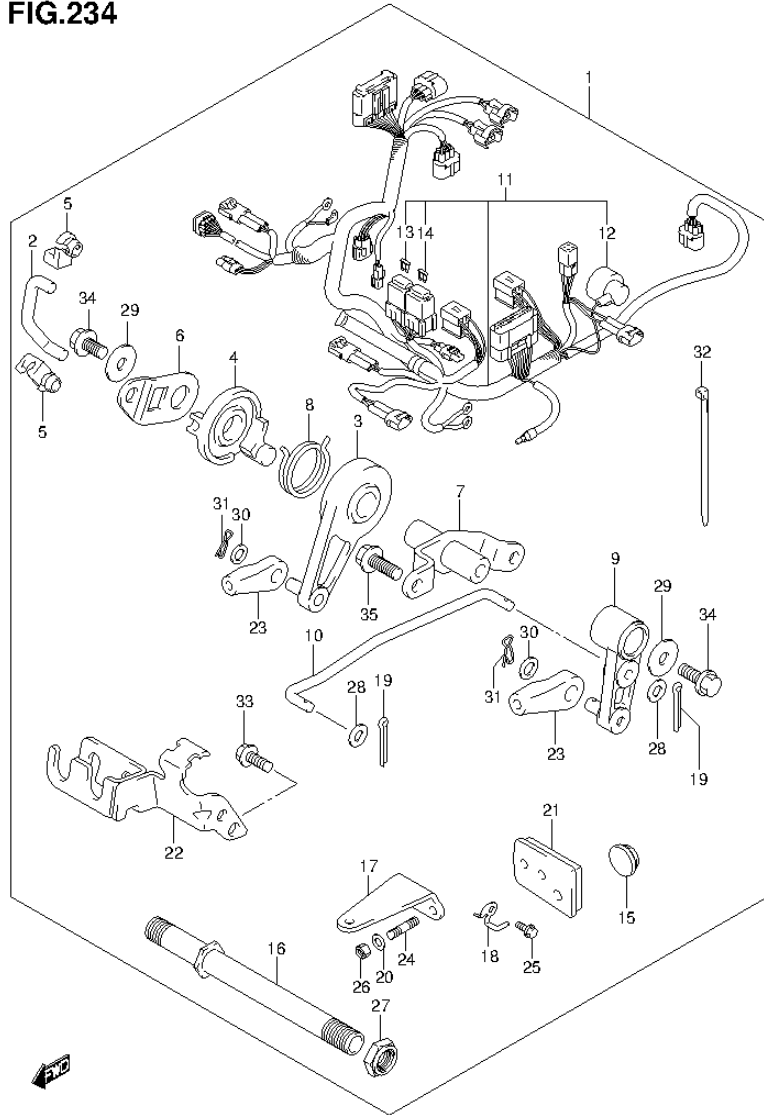
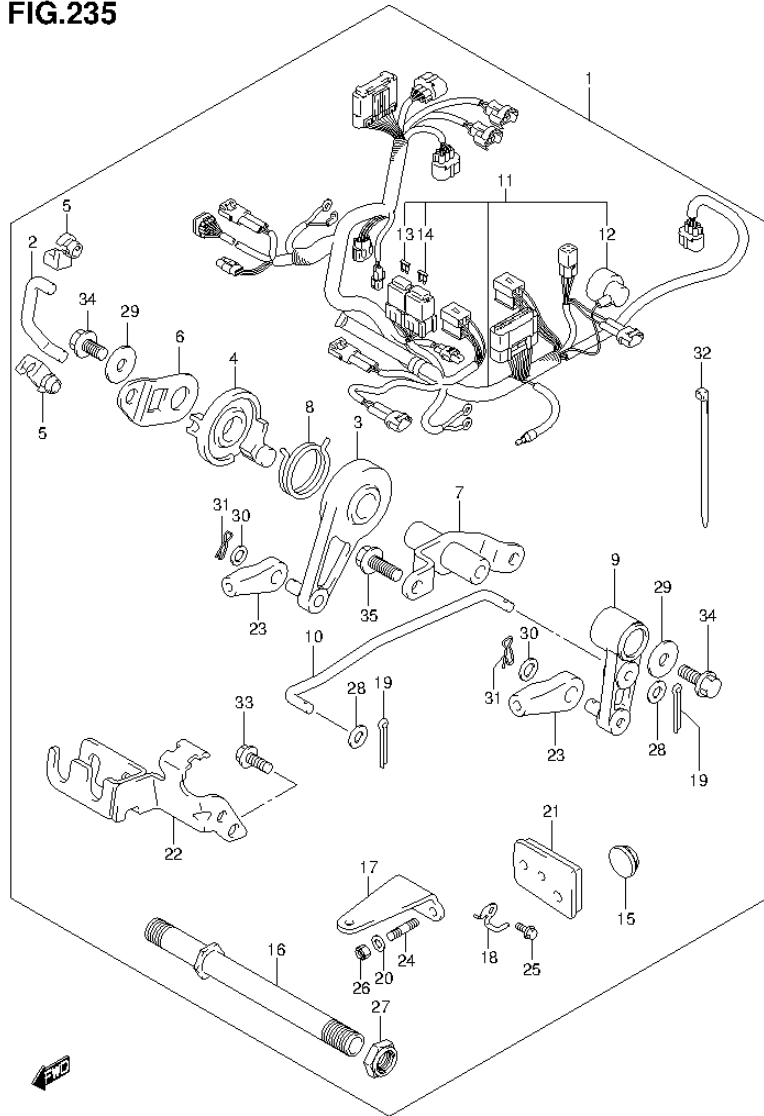


FIG.234 (2-J-9) OPT:REMOTE CONTROL PARTS (DF15A P01)

REF NO.	PART NO.	DESCRIPTION	Q'TY	REMARKS
28	09160-05029	.WASHER (5.5X12X0.8)	2	
29	09160-06046	.WASHER (6.5X20X1.5)	2	
30	09160-06055	.WASHER (7X12X1)	2	
31	09385-06012	.CLIP	2	
32	09407-14407	.CLAMP (L:145)	12	
33	01547-06167	.BOLT	2	
34	01550-06127	.BOLT	2	
35	01550-06167	.BOLT	2	

FIG.235



DF20A\_P01\_014\_235  
OPT:REMOTE CONTROL PARTS

FIG.235 (2-J-10) OPT:REMOTE CONTROL PARTS (DF20A P01)

REF NO.	PART NO.	DESCRIPTION	Q'TY	REMARKS
1	67130-89L01	PARTS SET, R/CON	1	
2	13513-89L10	.ROD,THROTTLE	1	
3	19120-99J10	.LEVER, THROTTLE CONTROL	1	
4	19122-99J00	.LEVER, INTERLINK THROTTLE NO.2	1	
5	19131-89L00	.CONNECTOR	2	
6	19148-89L10	.LEVER, INTERLINK THROTTLE NO.1	1	
7	19150-89L00	.BRACKET, THROTTLE LEVER	1	
8	19185-99J00	.SPRING,THROTTLE LEVER	1	
9	21110-89L10	.LEVER, CLUTCH	1	
10	23115-89L10	.LINK, CLUTCH LEVER	1	
11	36610-89L21	.HARNES ASSY, WIRING	1	
12	36618-43410	..CAP. OIL PRESSURE SWITCH	1	
13	09481-10501	..FUSE (10A)	1	
14	09481-30501	..FUSE (30A)	1	
15	37163-89L00	.PLUG, STARTING SWITCH HOLE	1	
16	41130-89L00	.SHAFT, CLAMP BRACKET	1	
17	43755-99J00	.ATTACHMENT, STEERING BRACKET	1	
18	43759-89L00	.HOLDER, DRAIN HOSE	1	
19	09204-01002	.PIN	2	
20	09160-08082	.WASHER (8.5X16X1.2)	2	
21	61124-89L20	.GROMMET, R/CON CABLE	1	
22	67340-89L00	.HOLDER, R/CON CABLE	1	
23	67467-89J01	.CONNECTOR	2	
24	09108-08286	.STUD BOLT	2	
25	09116-06225	.BOLT (6X15)	1	
26	09159-08059	.NUT	2	
27	09159-22006	.NUT	1	

DF20A\_P01\_014



FIG.235

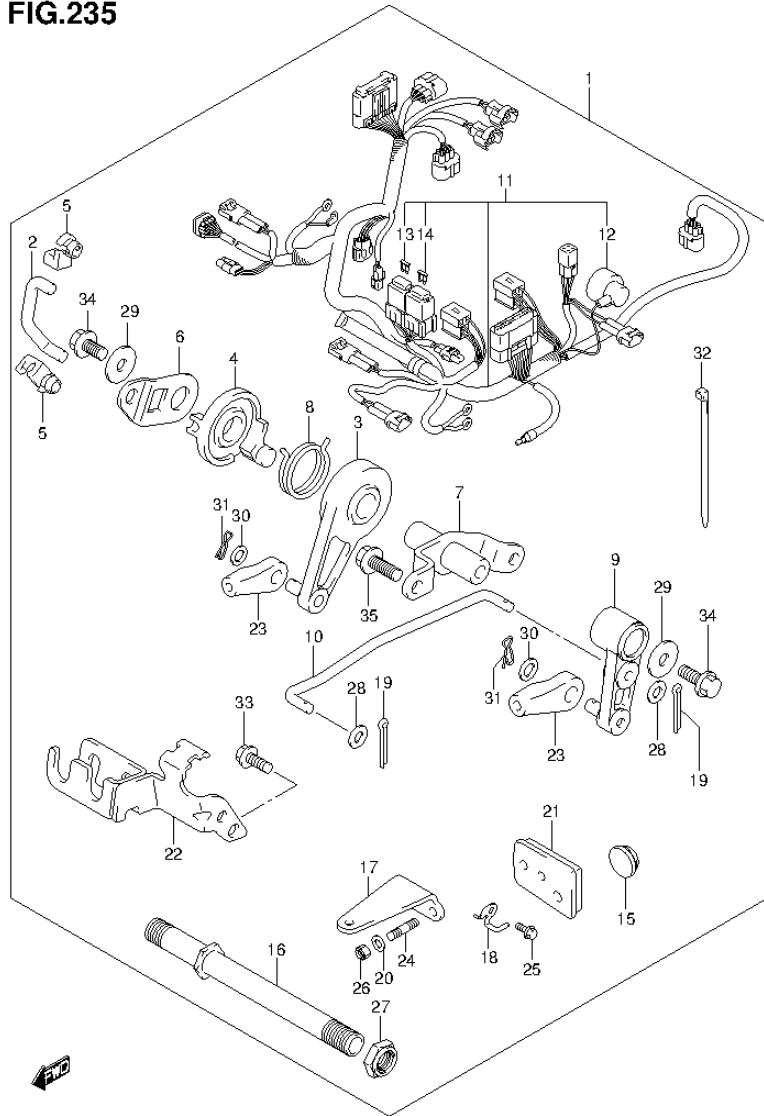


FIG.235 (2-J-11) OPT:REMOTE CONTROL PARTS (DF20A P01)

REF NO.	PART NO.	DESCRIPTION	Q'TY	REMARKS
28	09160-05029	.WASHER (5.5X12X0.8)	2	
29	09160-06046	.WASHER (6.5X20X1.5)	2	
30	09160-06055	.WASHER (7X12X1)	2	
31	09385-06012	.CLIP	2	
32	09407-14407	.CLAMP (L:145)	12	
33	01547-06167	.BOLT	2	
34	01550-06127	.BOLT	2	
35	01550-06167	.BOLT	2	

FIG.236

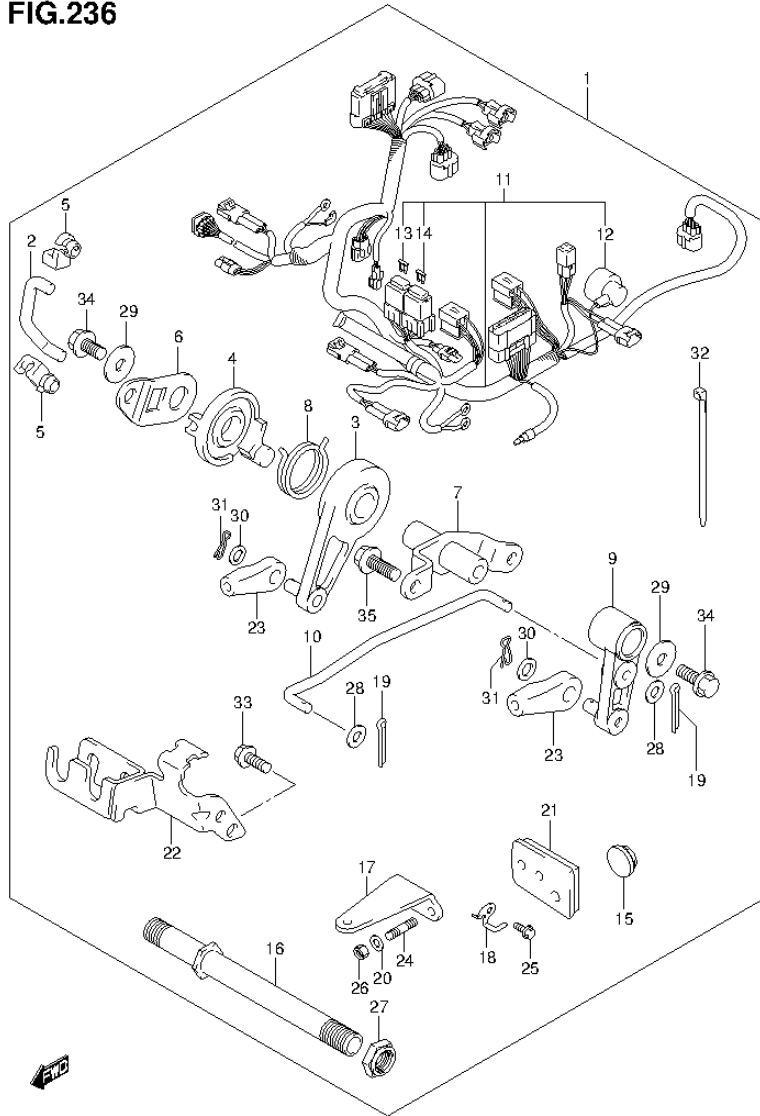


FIG.236 (2-J-12) OPT:REMOTE CONTROL PARTS (DF20A P40)

REF NO.	PART NO.	DESCRIPTION	Q'TY	REMARKS
1	67130-89L01	PARTS SET, R/CON	1	
2	13513-89L10	.ROD,THROTTLE	1	
3	19120-99J10	.LEVER, THROTTLE CONTROL	1	
4	19122-99J00	.LEVER, INTERLINK THROTTLE NO.2	1	
5	19131-89L00	.CONNECTOR	2	
6	19148-89L10	.LEVER, INTERLINK THROTTLE NO.1	1	
7	19150-89L00	.BRACKET, THROTTLE LEVER	1	
8	19185-99J00	.SPRING,THROTTLE LEVER	1	
9	21110-89L10	.LEVER, CLUTCH	1	
10	23115-89L10	.LINK, CLUTCH LEVER	1	
11	36610-89L21	.HARNES ASSY, WIRING	1	
12	36618-43410	..CAP, OIL PRESSURE SWITCH	1	
13	09481-10501	..FUSE (10A)	1	
14	09481-30501	..FUSE (30A)	1	
15	37163-89L00	.PLUG, STARTING SWITCH HOLE	1	
16	41130-89L00	.SHAFT, CLAMP BRACKET	1	
17	43755-99J00	.ATTACHMENT, STEERING BRACKET	1	
18	43759-89L00	.HOLDER, DRAIN HOSE	1	
19	09204-01002	.PIN	2	
20	09160-08082	.WASHER (8.5X16X1.2)	2	
21	61124-89L20	.GROMMET, R/CON CABLE	1	
22	67340-89L00	.HOLDER, R/CON CABLE	1	
23	67467-89J01	.CONNECTOR	2	
24	09108-08286	.STUD BOLT	2	
25	09116-06225	.BOLT (6X15)	1	
26	09159-08059	.NUT	2	
27	09159-22006	.NUT	1	

FIG.236

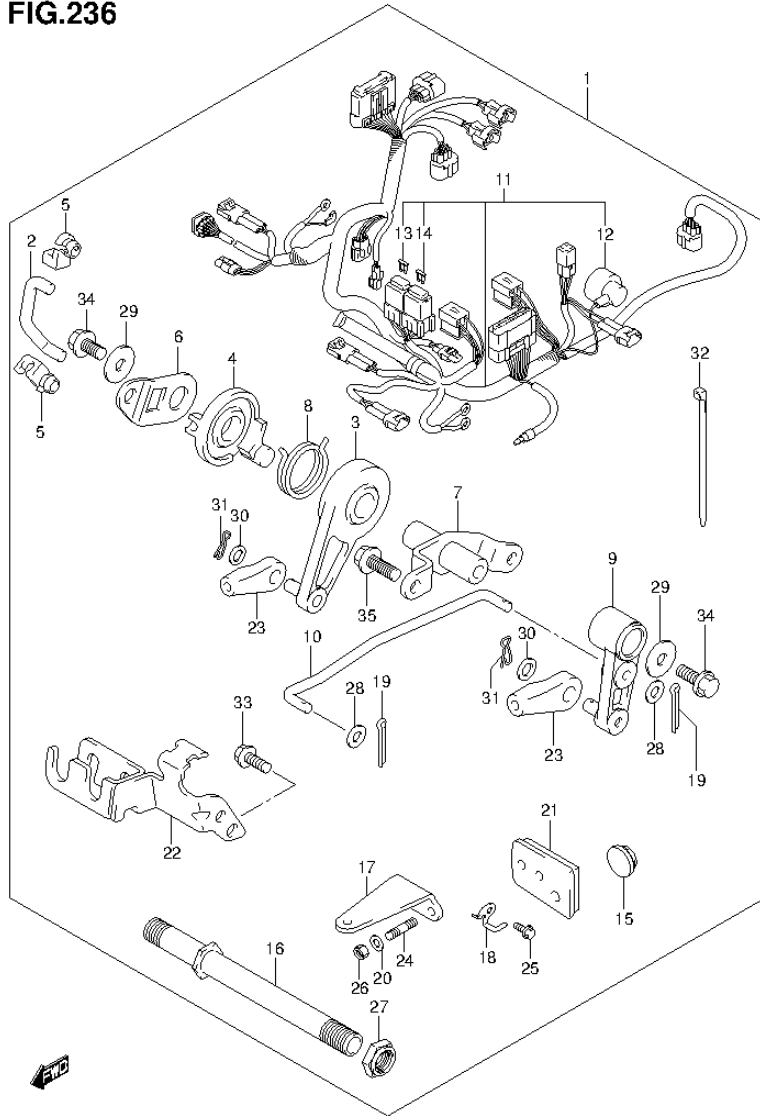


FIG.236 (2-J-13) OPT:REMOTE CONTROL PARTS (DF20A P40)

REF NO.	PART NO.	DESCRIPTION	Q'TY	REMARKS
28	09160-05029	.WASHER (5.5X12X0.8)	2	
29	09160-06046	.WASHER (6.5X20X1.5)	2	
30	09160-06055	.WASHER (7X12X1)	2	
31	09385-06012	.CLIP	2	
32	09407-14407	.CLAMP (L:145)	12	
33	01547-06167	.BOLT	2	
34	01550-06127	.BOLT	2	
35	01550-06167	.BOLT	2	

FIG.237

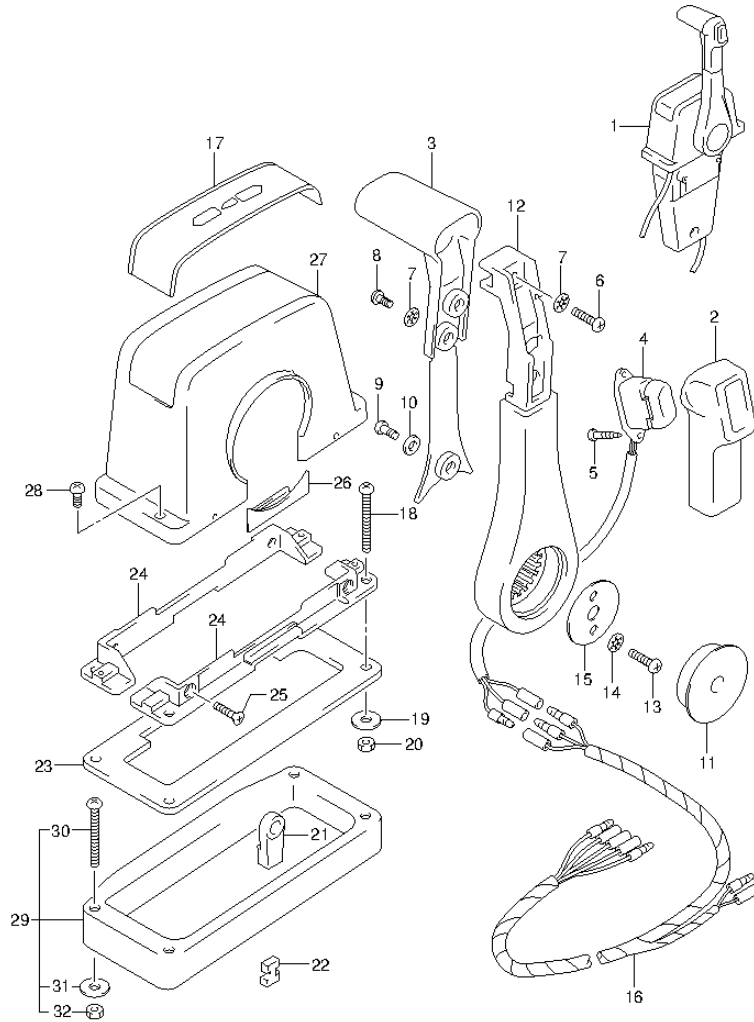
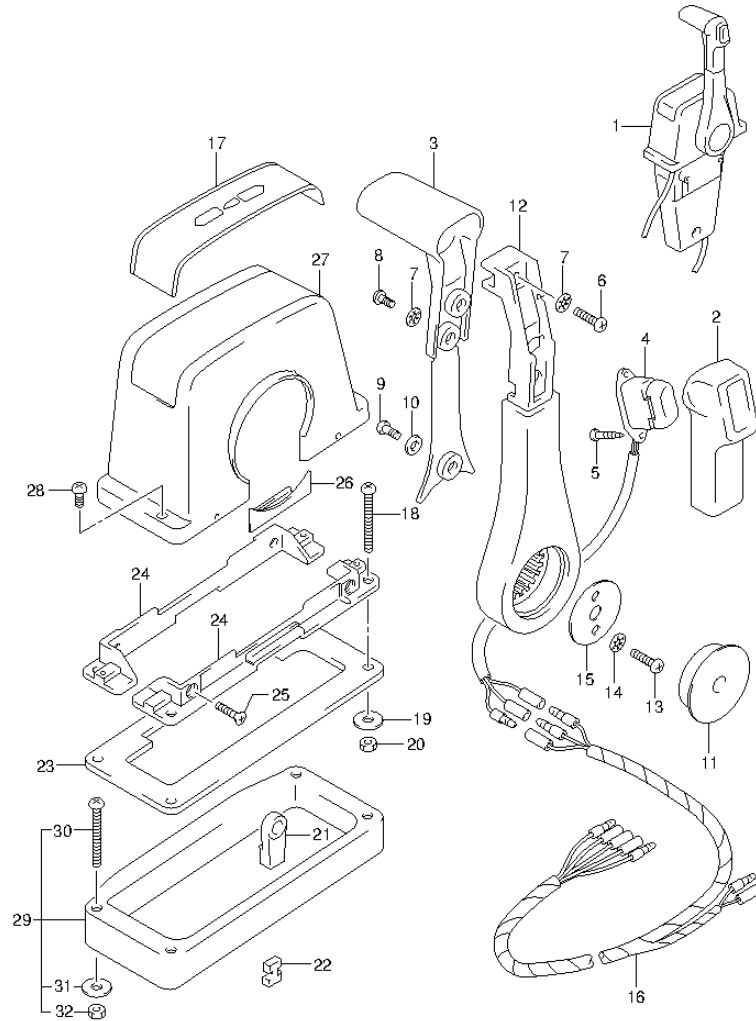


FIG.237 (2-J-14) OPT:REMOTE CONTROL ASSY SINGLE (1) (DF9.9B P01)

REF NO.	PART NO.	DESCRIPTION	Q'TY	REMARKS
1	67200-93J13	REMOTE CONTROL ASSY	1	PUSH
2	67261-93J00	.GRIP, NO.1	1	
3	67263-93J00	.GRIP, NO.2	1	
4	37850-93J10	.SWITCH ASSY, PTT	1	
5	67295-92E10	.SCREW	2	
6	67296-88D10	.SCREW	1	
7	67288-92E20	.WASHER	3	
8	67295-92E00	.SCREW	2	
9	67296-92E70	.SCREW	1	
10	67288-92E40	.WASHER	1	
11	67257-92E00	.CAP, LEVER	1	
12	67251-93J00	.LEVER, HANDLE	1	
13	67296-92E60	.SCREW	2	
14	67288-92E30	.WASHER	2	
15	67253-92E00	.WASHER	1	
16	36890-93J00	.WIRE HARNESS	1	
17	67281-93J00	.DECAL	1	
18	67296-92E30	.SCREW	4	
19	09160-05024	.WASHER (5.5X16X1.5)	4	
20	67287-92E00	.NUT	4	
21	67275-95600	.END, CABLE	2	
22	67273-95600	.SPACER	1	
23	67273-92E00	.GROMMET	1	
24	67274-92E00	.FLANGE	2	
25	67296-95610	.SCREW	4	
26	67271-92E00	.COVER	1	
27	67211-93J00	.COVER	1	
28	67296-92E70	.SCREW	2	
29	67500-93J00	KIT, REMOCON SPACER SINGLE	1	
30	09125-05135	.SCREW (5X65)	4	
31	09160-05029	.WASHER (5.5X12X0.8)	4	
32	09140-05005	.NUT	4	

FIG.238

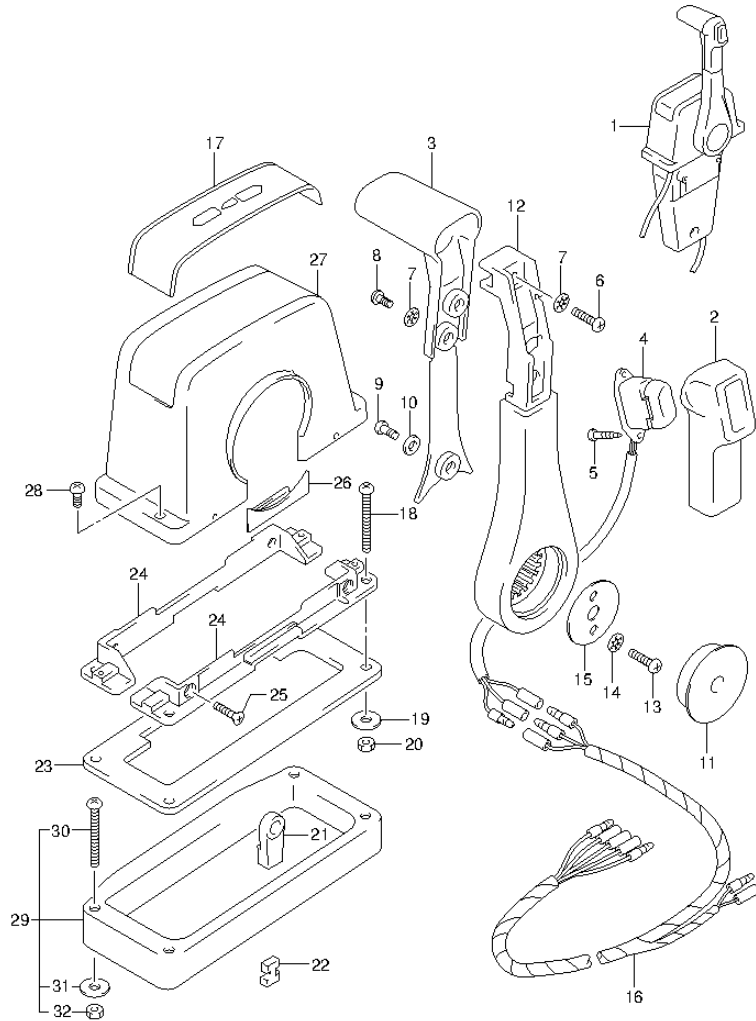
FIG.238 (2-J-15) OPT:REMOTE CONTROL ASSY SINGLE (1) (DF15A P01)



REF NO.	PART NO.	DESCRIPTION	Q'TY	REMARKS
1	67200-93J13	REMOTE CONTROL ASSY	1	PUSH
2	67261-93J00	.GRIP, NO.1	1	
3	67263-93J00	.GRIP, NO.2	1	
4	37850-93J10	.SWITCH ASSY, PTT	1	
5	67295-92E10	.SCREW	2	
6	67296-88D10	.SCREW	1	
7	67288-92E20	.WASHER	3	
8	67295-92E00	.SCREW	2	
9	67296-92E70	.SCREW	1	
10	67288-92E40	.WASHER	1	
11	67257-92E00	.CAP, LEVER	1	
12	67251-93J00	.LEVER, HANDLE	1	
13	67296-92E60	.SCREW	2	
14	67288-92E30	.WASHER	2	
15	67253-92E00	.WASHER	1	
16	36890-93J00	.WIRE HARNESS	1	
17	67281-93J00	.DECAL	1	
18	67296-92E30	.SCREW	4	
19	09160-05024	.WASHER (5.5X16X1.5)	4	
20	67287-92E00	.NUT	4	
21	67275-95600	.END, CABLE	2	
22	67273-95600	.SPACER	1	
23	67273-92E00	.GROMMET	1	
24	67274-92E00	.FLANGE	2	
25	67296-95610	.SCREW	4	
26	67271-92E00	.COVER	1	
27	67211-93J00	.COVER	1	
28	67296-92E70	.SCREW	2	
29	67500-93J00	KIT, REMOCON SPACER SINGLE	1	
30	09125-05135	.SCREW (5X65)	4	
31	09160-05029	.WASHER (5.5X12X0.8)	4	
32	09140-05005	.NUT	4	

FIG.239

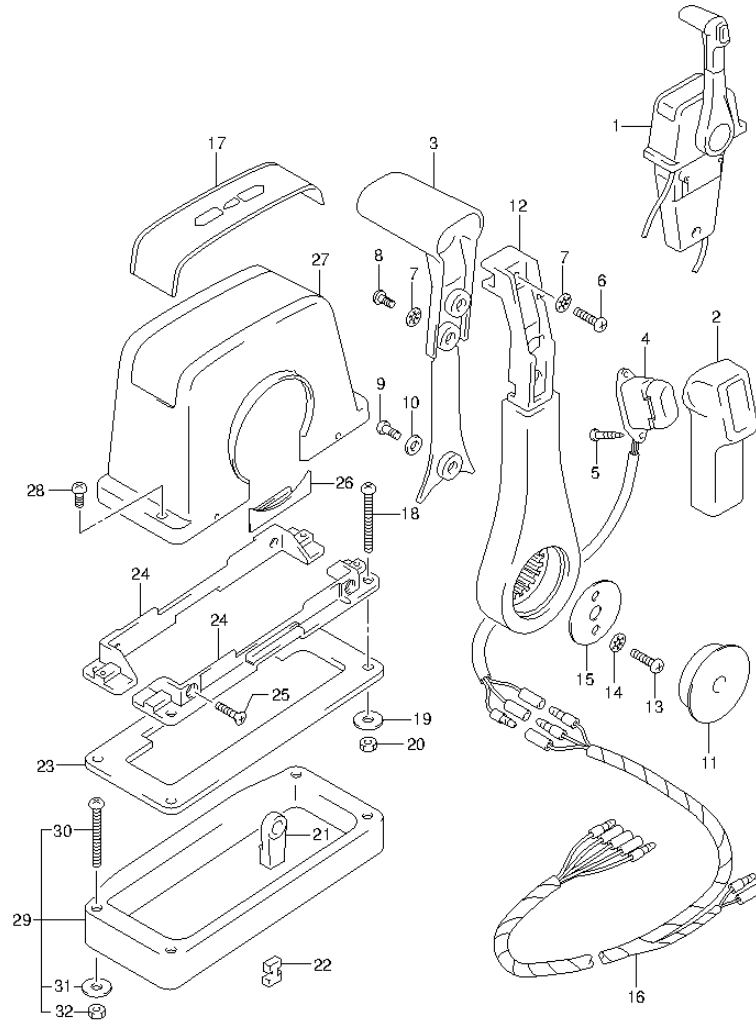
FIG.239 (2-K-2) OPT:REMOTE CONTROL ASSY SINGLE (1) (DF20A P01)



REF NO.	PART NO.	DESCRIPTION	Q'TY	REMARKS
1	67200-93J13	REMOTE CONTROL ASSY	1	PUSH
2	67261-93J00	.GRIP, NO.1	1	
3	67263-93J00	.GRIP, NO.2	1	
4	37850-93J10	.SWITCH ASSY, PTT	1	
5	67295-92E10	.SCREW	2	
6	67296-88D10	.SCREW	1	
7	67288-92E20	.WASHER	3	
8	67295-92E00	.SCREW	2	
9	67296-92E70	.SCREW	1	
10	67288-92E40	.WASHER	1	
11	67257-92E00	.CAP, LEVER	1	
12	67251-93J00	.LEVER, HANDLE	1	
13	67296-92E60	.SCREW	2	
14	67288-92E30	.WASHER	2	
15	67253-92E00	.WASHER	1	
16	36890-93J00	.WIRE HARNESS	1	
17	67281-93J00	.DECAL	1	
18	67296-92E30	.SCREW	4	
19	09160-05024	.WASHER (5.5X16X1.5)	4	
20	67287-92E00	.NUT	4	
21	67275-95600	.END, CABLE	2	
22	67273-95600	.SPACER	1	
23	67273-92E00	.GROMMET	1	
24	67274-92E00	.FLANGE	2	
25	67296-95610	.SCREW	4	
26	67271-92E00	.COVER	1	
27	67211-93J00	.COVER	1	
28	67296-92E70	.SCREW	2	
29	67500-93J00	KIT, REMOCON SPACER SINGLE	1	
30	09125-05135	.SCREW (5X65)	4	
31	09160-05029	.WASHER (5.5X12X0.8)	4	
32	09140-05005	.NUT	4	

FIG.240

FIG.240 (2-K-3) OPT:REMOTE CONTROL ASSY SINGLE (1) (DF20A P40)



REF NO.	PART NO.	DESCRIPTION	Q'TY	REMARKS
1	67200-93J13	REMOTE CONTROL ASSY	1	PUSH
2	67261-93J00	.GRIP, NO.1	1	
3	67263-93J00	.GRIP, NO.2	1	
4	37850-93J10	.SWITCH ASSY, PTT	1	
5	67295-92E10	.SCREW	2	
6	67296-88D10	.SCREW	1	
7	67288-92E20	.WASHER	3	
8	67295-92E00	.SCREW	2	
9	67296-92E70	.SCREW	1	
10	67288-92E40	.WASHER	1	
11	67257-92E00	.CAP, LEVER	1	
12	67251-93J00	.LEVER, HANDLE	1	
13	67296-92E60	.SCREW	2	
14	67288-92E30	.WASHER	2	
15	67253-92E00	.WASHER	1	
16	36890-93J00	.WIRE HARNESS	1	
17	67281-93J00	.DECAL	1	
18	67296-92E30	.SCREW	4	
19	09160-05024	.WASHER (5.5X16X1.5)	4	
20	67287-92E00	.NUT	4	
21	67275-95600	.END, CABLE	2	
22	67273-95600	.SPACER	1	
23	67273-92E00	.GROMMET	1	
24	67274-92E00	.FLANGE	2	
25	67296-95610	.SCREW	4	
26	67271-92E00	.COVER	1	
27	67211-93J00	.COVER	1	
28	67296-92E70	.SCREW	2	
29	67500-93J00	KIT, REMOCON SPACER SINGLE	1	
30	09125-05135	.SCREW (5X65)	4	
31	09160-05029	.WASHER (5.5X12X0.8)	4	
32	09140-05005	.NUT	4	

FIG.241

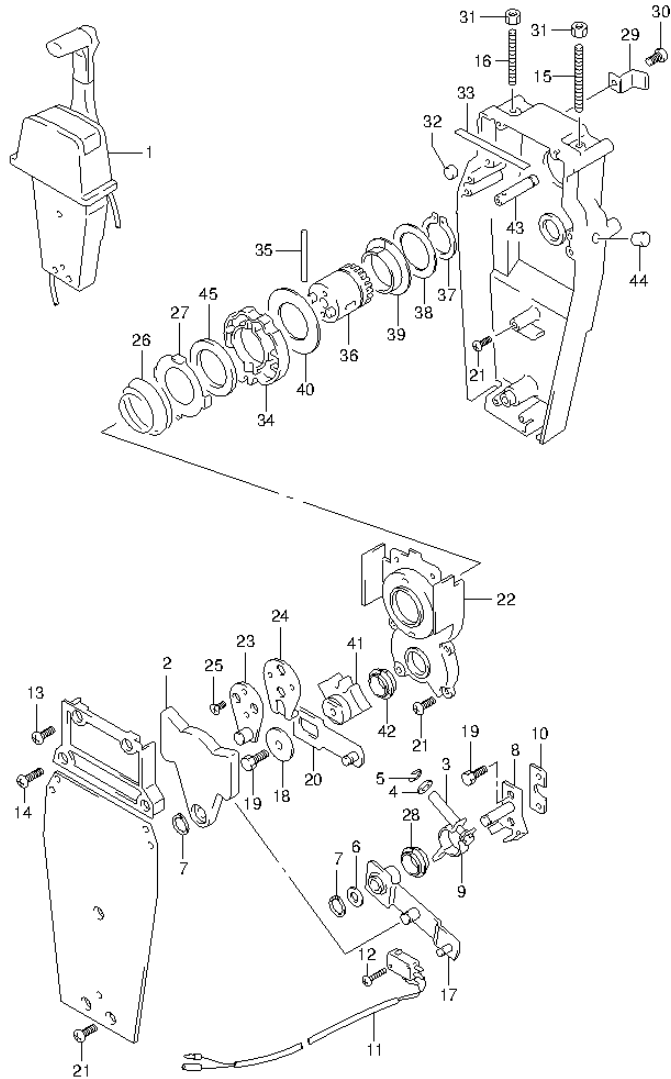


FIG.241 (2-K-4) OPT:REMOTE CONTROL ASSY SINGLE (2) (DF9.9B P01)

REF NO.	PART NO.	DESCRIPTION	Q'TY	REMARKS
1	67200-93J13	REMOTE CONTROL ASSY	1	PUSH
2	67222-92E00	.DUAL PLATE	1	
3	67223-92E00	.BRAKE ADJUST	1	
4	67288-92E00	.WASHER	1	
5	67292-94300	.E RING	4	
6	67288-92E10	.WASHER	1	
7	67291-92E00	.SNAP RING	2	
8	67221-92E00	.SHIFT ASSY	1	
9	67224-92E00	.BRAKE ARM ASSY	1	
10	67294-92E00	.SPACER	1	
11	37721-95500	.SWITCH ASSY, N/R	1	
12	67296-92E11	.SCREW (3X15)	2	
13	67296-88D10	.SCREW (5X16)	2	
14	67296-92E20	.SCREW (5X25)	2	
15	67226-92E00	.BOLT, STOPPER FRONT	1	
16	67226-92E10	.BOLT, STOPPER REAR	1	
17	67240-92E00	.ARM ASSY, THROTTLE	1	
18	67228-92E00	.WASHER	1	
19	67286-92E00	.BOLT (6X18)	3	
20	67230-92E00	.SHIFT ARM ASSY	1	
21	09125-05042	.SCREW (5X10)	9	
22	67234-92E00	.CASE, GEAR	1	
23	67245-92E00	.LEVER ASSY, THROTTLE	1	
24	67227-92E00	.STOPPER	1	
25	09126-06006	.SCREW (6X20)	2	
26	67233-92E00	.SPRING	1	
27	67235-92E00	.PLATE, SHIFT LOCK	1	
28	67232-95620	.BUSH	1	
29	67269-92E00	.BRACKET	1	
30	67296-88D10	.SCREW	1	
31	09140-06020	.NUT	2	
32	67236-92E00	.ROLLER	1	
33	67237-92E01	.SPRING	6	
34	67238-92E00	.GEAR, DRIVE	1	



FIG.241

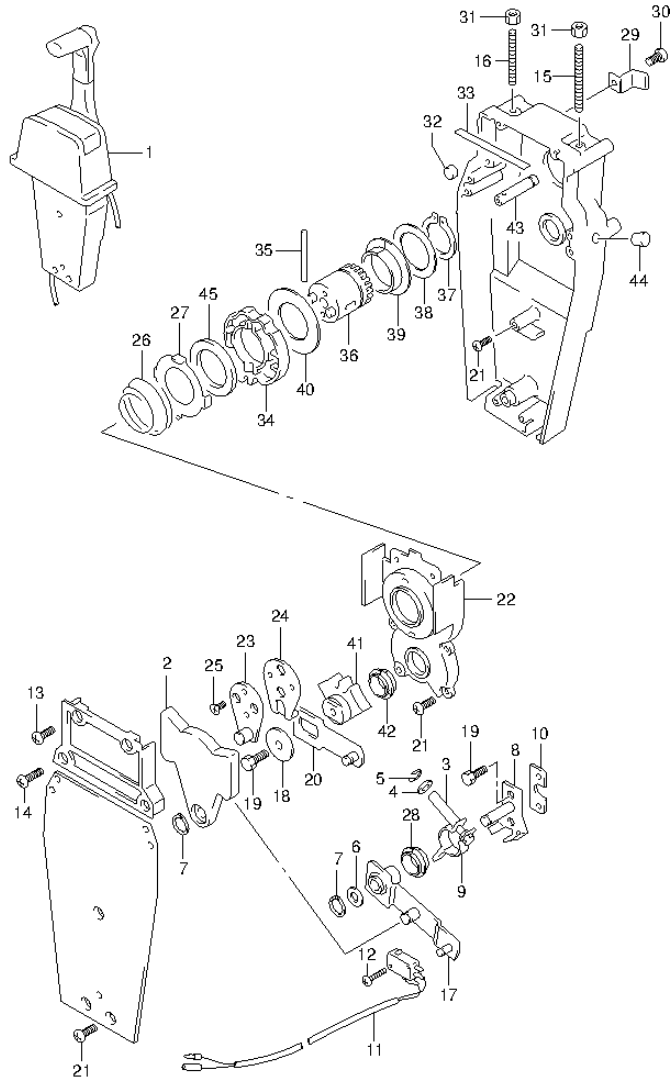


FIG.241 (2-K-5) OPT:REMOTE CONTROL ASSY SINGLE (2) (DF9.9B P01)

REF NO.	PART NO.	DESCRIPTION	Q'TY	REMARKS
35	67239-92E00	.PIN	1	
36	67246-92E00	.SHIFT, DRIVE	1	
37	67291-92E10	.SNAP RING	1	
38	67253-92E10	.WASHER	1	
39	67252-92E10	.BUSH	1	
40	67253-95600	.WASHER	1	
41	67231-92E00	.GEAR, SHIFT	1	
42	67232-95600	.BUSH	1	
43	67241-92E10	.ROD, FREE ACC	1	
44	67243-92E00	.CAP, HOLE	1	
45	67239-92E10	.PLATE, SHIFT PIN	1	

FIG.242

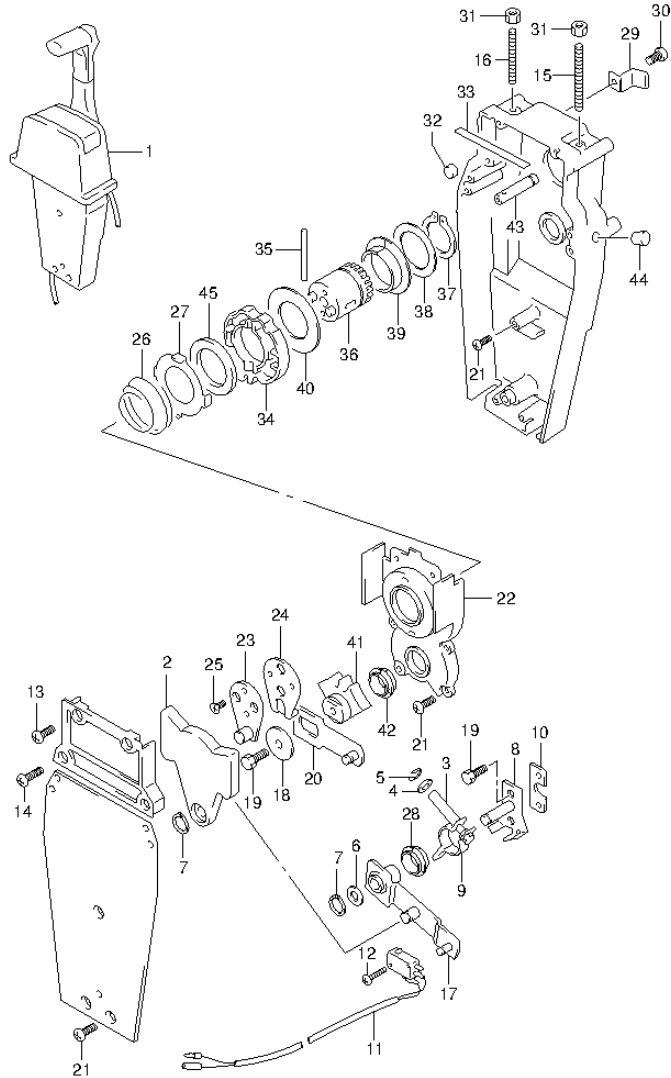


FIG.242 (2-K-6) OPT:REMOTE CONTROL ASSY SINGLE (2) (DF15A P01)

REF NO.	PART NO.	DESCRIPTION	Q'TY	REMARKS
1	67200-93J13	REMOTE CONTROL ASSY	1	PUSH
2	67222-92E00	.DUAL PLATE	1	
3	67223-92E00	.BRAKE ADJUST	1	
4	67288-92E00	.WASHER	1	
5	67292-94300	.E RING	4	
6	67288-92E10	.WASHER	1	
7	67291-92E00	.SNAP RING	2	
8	67221-92E00	.SHIFT ASSY	1	
9	67224-92E00	.BRAKE ARM ASSY	1	
10	67294-92E00	.SPACER	1	
11	37721-95500	.SWITCH ASSY, N/R	1	
12	67296-92E11	.SCREW (3X15)	2	
13	67296-88D10	.SCREW (5X16)	2	
14	67296-92E20	.SCREW (5X25)	2	
15	67226-92E00	.BOLT, STOPPER FRONT	1	
16	67226-92E10	.BOLT, STOPPER REAR	1	
17	67240-92E00	.ARM ASSY, THROTTLE	1	
18	67228-92E00	.WASHER	1	
19	67286-92E00	.BOLT (6X18)	3	
20	67230-92E00	.SHIFT ARM ASSY	1	
21	09125-05042	.SCREW (5X10)	9	
22	67234-92E00	.CASE, GEAR	1	
23	67245-92E00	.LEVER ASSY, THROTTLE	1	
24	67227-92E00	.STOPPER	1	
25	09126-06006	.SCREW (6X20)	2	
26	67233-92E00	.SPRING	1	
27	67235-92E00	.PLATE, SHIFT LOCK	1	
28	67232-95620	.BUSH	1	
29	67269-92E00	.BRACKET	1	
30	67296-88D10	.SCREW	1	
31	09140-06020	.NUT	2	
32	67236-92E00	.ROLLER	1	
33	67237-92E01	.SPRING	6	
34	67238-92E00	.GEAR, DRIVE	1	

FIG.242

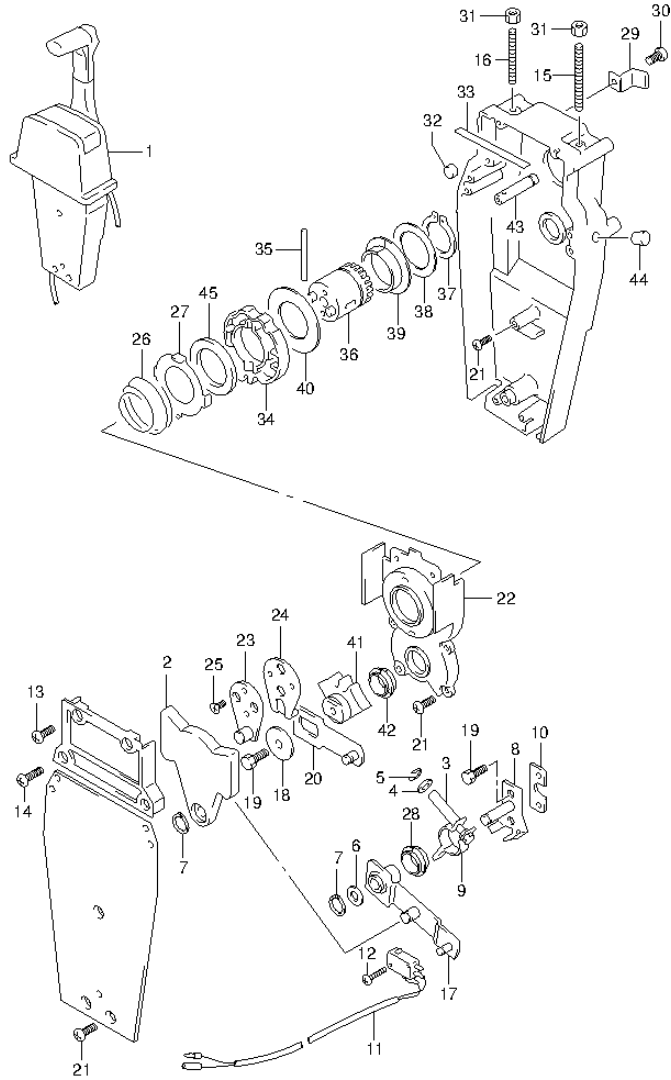


FIG.242 (2-K-7) OPT:REMOTE CONTROL ASSY SINGLE (2) (DF15A P01)

REF NO.	PART NO.	DESCRIPTION	Q'TY	REMARKS
35	67239-92E00	.PIN	1	
36	67246-92E00	.SHIFT, DRIVE	1	
37	67291-92E10	.SNAP RING	1	
38	67253-92E10	.WASHER	1	
39	67252-92E10	.BUSH	1	
40	67253-95600	.WASHER	1	
41	67231-92E00	.GEAR, SHIFT	1	
42	67232-95600	.BUSH	1	
43	67241-92E10	.ROD, FREE ACC	1	
44	67243-92E00	.CAP, HOLE	1	
45	67239-92E10	.PLATE, SHIFT PIN	1	

FIG.243

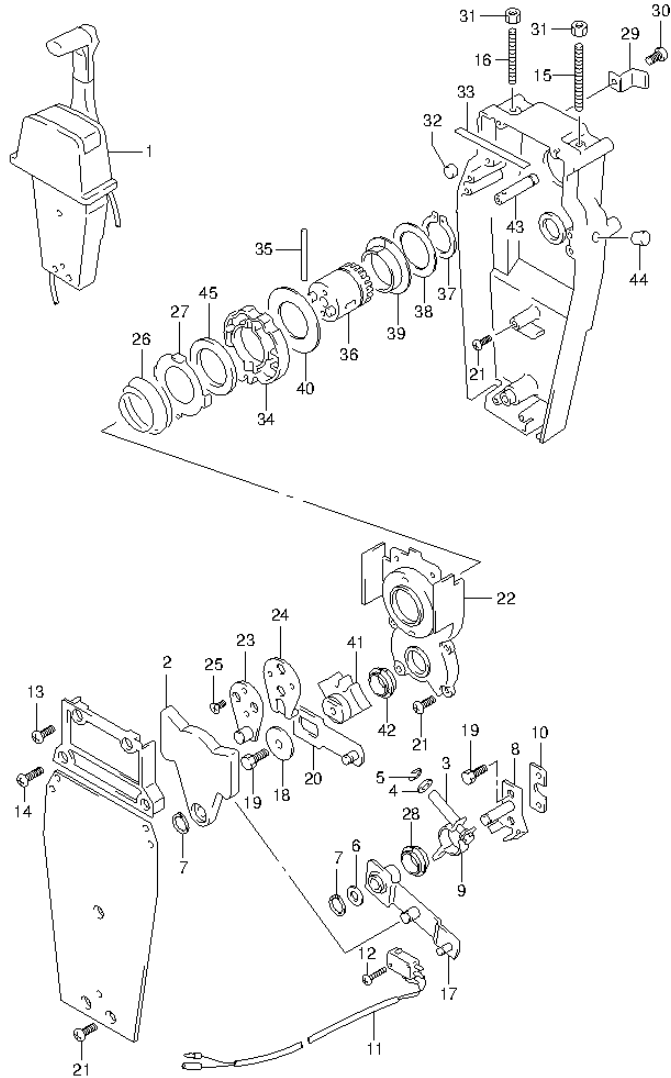


FIG.243 (2-K-8) OPT:REMOTE CONTROL ASSY SINGLE (2) (DF20A P01)

REF NO.	PART NO.	DESCRIPTION	Q'TY	REMARKS
1	67200-93J13	REMOTE CONTROL ASSY	1	PUSH
2	67222-92E00	.DUAL PLATE	1	
3	67223-92E00	.BRAKE ADJUST	1	
4	67288-92E00	.WASHER	1	
5	67292-94300	.E RING	4	
6	67288-92E10	.WASHER	1	
7	67291-92E00	.SNAP RING	2	
8	67221-92E00	.SHIFT ASSY	1	
9	67224-92E00	.BRAKE ARM ASSY	1	
10	67294-92E00	.SPACER	1	
11	37721-95500	.SWITCH ASSY, N/R	1	
12	67296-92E11	.SCREW (3X15)	2	
13	67296-88D10	.SCREW (5X16)	2	
14	67296-92E20	.SCREW (5X25)	2	
15	67226-92E00	.BOLT, STOPPER FRONT	1	
16	67226-92E10	.BOLT, STOPPER REAR	1	
17	67240-92E00	.ARM ASSY, THROTTLE	1	
18	67228-92E00	.WASHER	1	
19	67286-92E00	.BOLT (6X18)	3	
20	67230-92E00	.SHIFT ARM ASSY	1	
21	09125-05042	.SCREW (5X10)	9	
22	67234-92E00	.CASE, GEAR	1	
23	67245-92E00	.LEVER ASSY, THROTTLE	1	
24	67227-92E00	.STOPPER	1	
25	09126-06006	.SCREW (6X20)	2	
26	67233-92E00	.SPRING	1	
27	67235-92E00	.PLATE, SHIFT LOCK	1	
28	67232-95620	.BUSH	1	
29	67269-92E00	.BRACKET	1	
30	67296-88D10	.SCREW	1	
31	09140-06020	.NUT	2	
32	67236-92E00	.ROLLER	1	
33	67237-92E01	.SPRING	6	
34	67238-92E00	.GEAR, DRIVE	1	

FIG.243

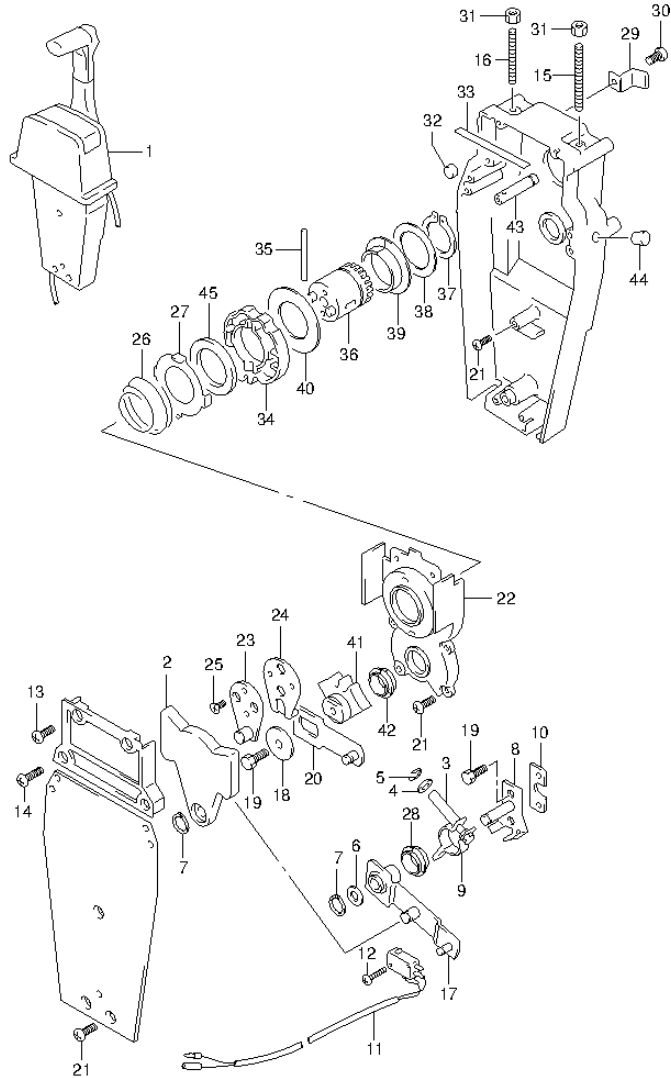


FIG.243 (2-K-9) OPT:REMOTE CONTROL ASSY SINGLE (2) (DF20A P01)

REF NO.	PART NO.	DESCRIPTION	Q'TY	REMARKS
35	67239-92E00	.PIN	1	
36	67246-92E00	.SHIFT, DRIVE	1	
37	67291-92E10	.SNAP RING	1	
38	67253-92E10	.WASHER	1	
39	67252-92E10	.BUSH	1	
40	67253-95600	.WASHER	1	
41	67231-92E00	.GEAR, SHIFT	1	
42	67232-95600	.BUSH	1	
43	67241-92E10	.ROD, FREE ACC	1	
44	67243-92E00	.CAP, HOLE	1	
45	67239-92E10	.PLATE, SHIFT PIN	1	

FIG.244

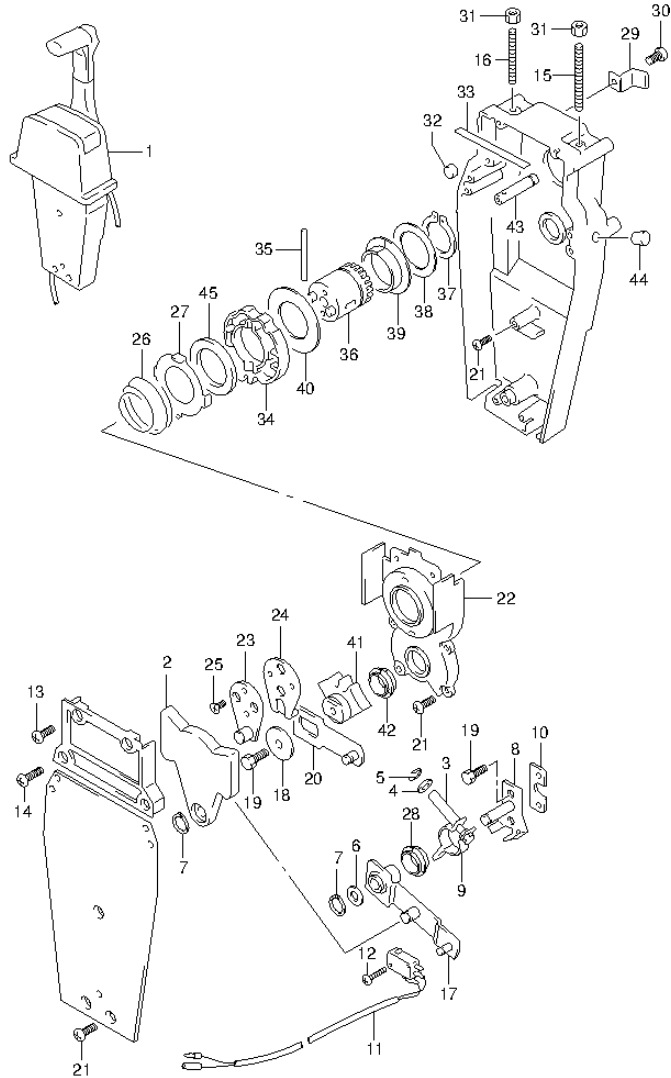


FIG.244 (2-K-10) OPT:REMOTE CONTROL ASSY SINGLE (2) (DF20A P40)

REF NO.	PART NO.	DESCRIPTION	Q'TY	REMARKS
1	67200-93J13	REMOTE CONTROL ASSY	1	PUSH
2	67222-92E00	.DUAL PLATE	1	
3	67223-92E00	.BRAKE ADJUST	1	
4	67288-92E00	.WASHER	1	
5	67292-94300	.E RING	4	
6	67288-92E10	.WASHER	1	
7	67291-92E00	.SNAP RING	2	
8	67221-92E00	.SHIFT ASSY	1	
9	67224-92E00	.BRAKE ARM ASSY	1	
10	67294-92E00	.SPACER	1	
11	37721-95500	.SWITCH ASSY, N/R	1	
12	67296-92E11	.SCREW (3X15)	2	
13	67296-88D10	.SCREW (5X16)	2	
14	67296-92E20	.SCREW (5X25)	2	
15	67226-92E00	.BOLT, STOPPER FRONT	1	
16	67226-92E10	.BOLT, STOPPER REAR	1	
17	67240-92E00	.ARM ASSY, THROTTLE	1	
18	67228-92E00	.WASHER	1	
19	67286-92E00	.BOLT (6X18)	3	
20	67230-92E00	.SHIFT ARM ASSY	1	
21	09125-05042	.SCREW (5X10)	9	
22	67234-92E00	.CASE, GEAR	1	
23	67245-92E00	.LEVER ASSY, THROTTLE	1	
24	67227-92E00	.STOPPER	1	
25	09126-06006	.SCREW (6X20)	2	
26	67233-92E00	.SPRING	1	
27	67235-92E00	.PLATE, SHIFT LOCK	1	
28	67232-95620	.BUSH	1	
29	67269-92E00	.BRACKET	1	
30	67296-88D10	.SCREW	1	
31	09140-06020	.NUT	2	
32	67236-92E00	.ROLLER	1	
33	67237-92E01	.SPRING	6	
34	67238-92E00	.GEAR, DRIVE	1	

FIG.244

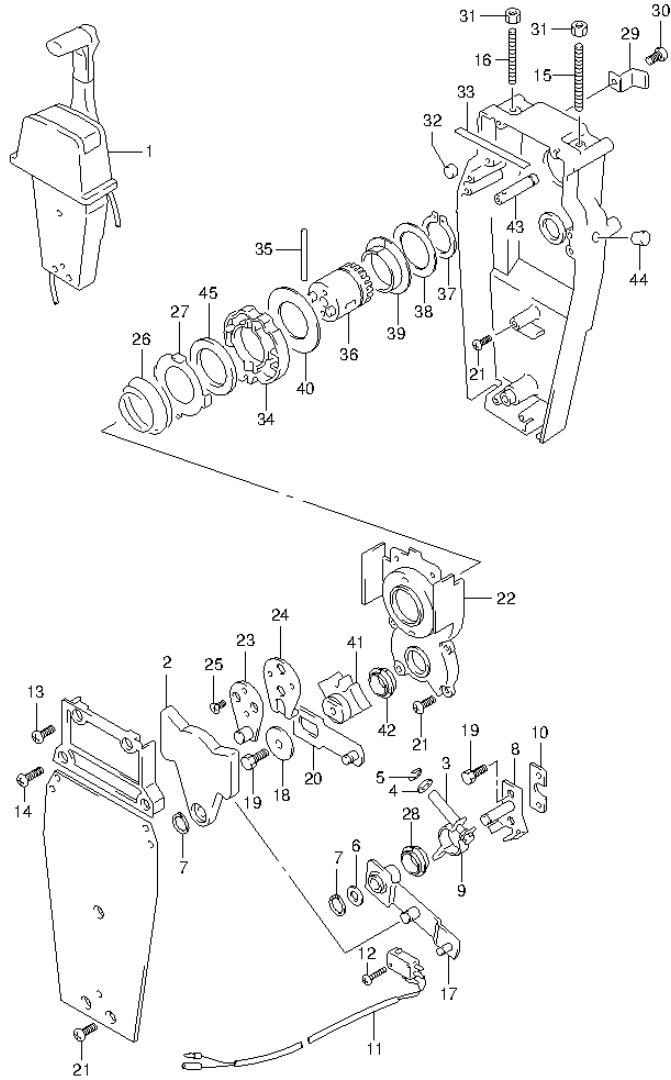


FIG.244 (2-K-11) OPT:REMOTE CONTROL ASSY SINGLE (2) (DF20A P40)

REF NO.	PART NO.	DESCRIPTION	Q'TY	REMARKS
35	67239-92E00	.PIN	1	
36	67246-92E00	.SHIFT, DRIVE	1	
37	67291-92E10	.SNAP RING	1	
38	67253-92E10	.WASHER	1	
39	67252-92E10	.BUSH	1	
40	67253-95600	.WASHER	1	
41	67231-92E00	.GEAR, SHIFT	1	
42	67232-95600	.BUSH	1	
43	67241-92E10	.ROD, FREE ACC	1	
44	67243-92E00	.CAP, HOLE	1	
45	67239-92E10	.PLATE, SHIFT PIN	1	

FIG.245

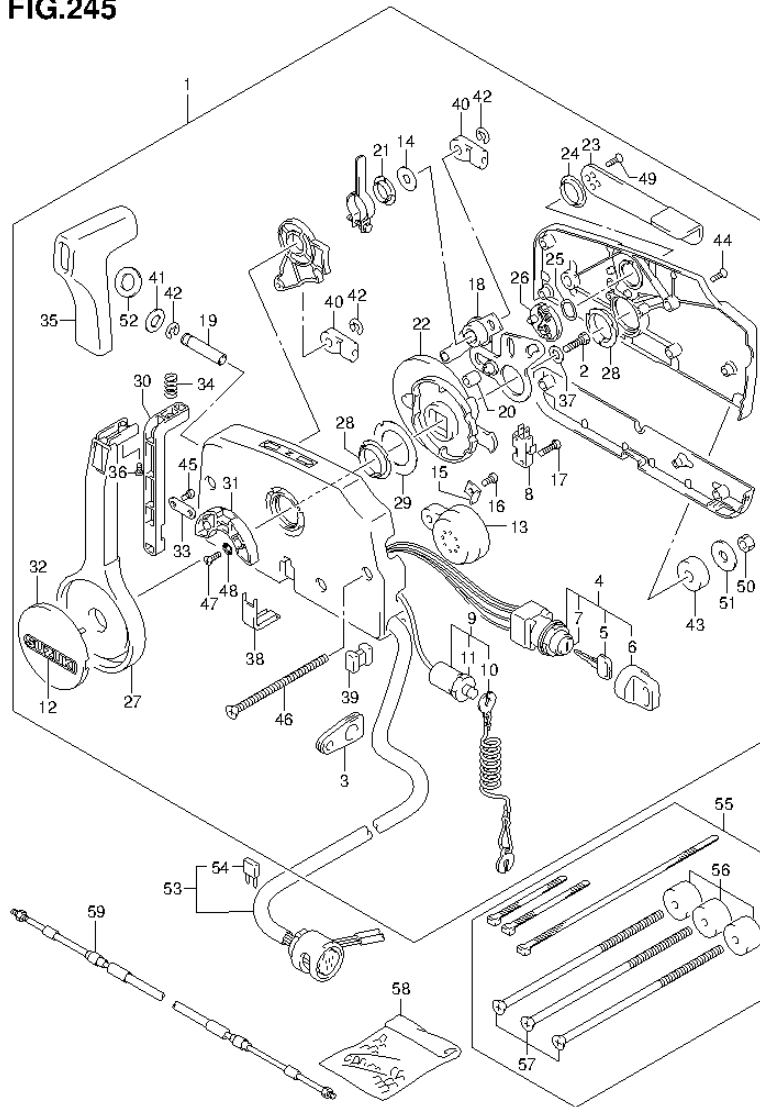
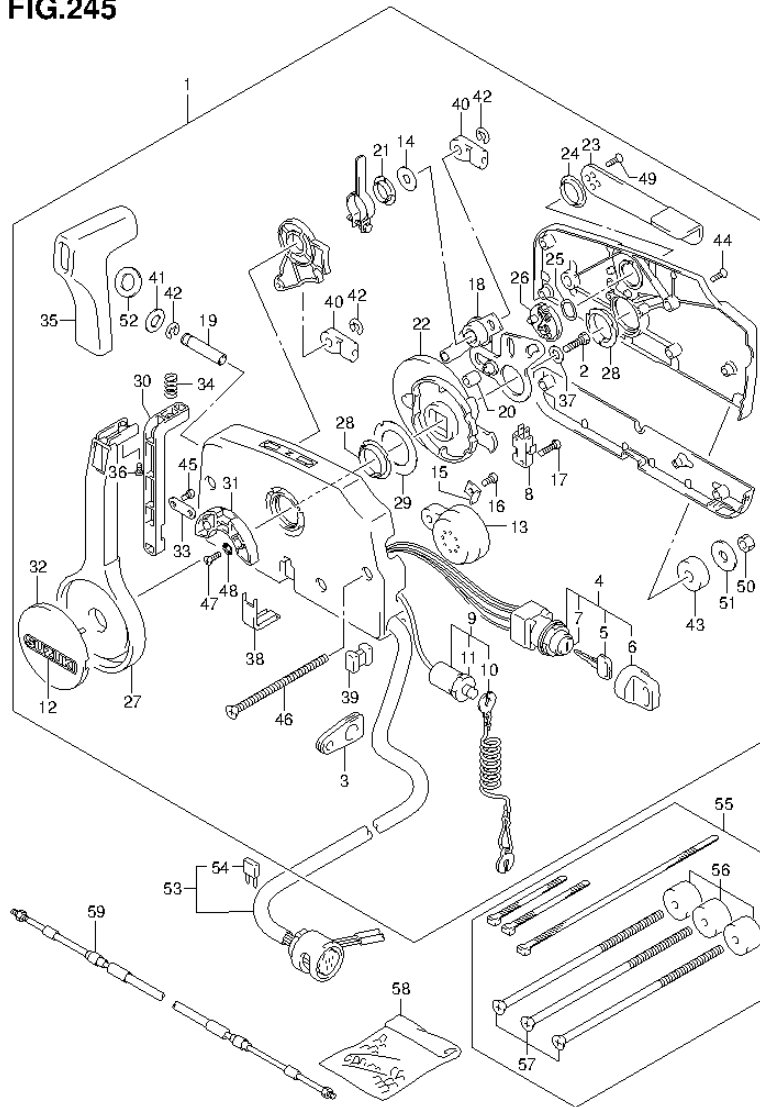


FIG.245 (2-K-12) OPT:REMOTE CONTROL (DF9.9B P01)

REF NO.	PART NO.	DESCRIPTION	Q'TY	REMARKS
1	67200-94J15	REMOTE CONTROL ASSY	1	
2	09100-08232	.BOLT (8X30)	1	
3	36628-92E00	.GROMMET, WIRE HARNESS	1	
4	37110-94J02	.SWITCH ASSY, IGNITION	1	
5-1	37141-99E00	..KEY (931)	2	
5-2	37141-99E10	..KEY (932)	2	
5-3	37141-99E20	..KEY (933)	2	
5-4	37141-99E30	..KEY (934)	2	
5-5	37141-99E40	..KEY (935)	2	
5-6	37141-99E50	..KEY (936)	2	
5-7	37141-99E60	..KEY (937)	2	
5-8	37141-99E70	..KEY (938)	2	
5-9	37141-99E80	..KEY (939)	2	
5-10	37141-99E90	..KEY (940)	2	
5-11	37141-99EA0	..KEY (941)	2	
5-12	37141-99EB0	..KEY (942)	2	
6	37143-99E00	..CAP, KEY	2	
7	37149-93J00	..CAP, CYLINDER BODY	1	
8	37721-93J91	.SWITCH, NEUTRAL	1	
9	37820-93J03	.SWITCH ASSY, EMERGENCY	1	
10	37823-92E01	..PLATE	1	
11	37826-92E00	..NUT	1	
12	68165-16B00-13L	.EMBLEM, SUZUKI (SILVER)	1	
13	38500-93J00	.BUZZER	1	
14	67212-95600	.WASHER	1	
15	67213-92E00	.BRACKET, BUZZER	1	
16	09125-05042	.SCREW (5X10)	1	
17	67296-92E11	.SCREW, NEUTRAL SW	2	
18	67220-95630	.PLATE ASSY	1	
19	67223-99E10	.KNOB, BRAKE ADJUST	1	
20	67229-95600	.ROLLER	1	
21	67232-95600	.BUSH	1	
22	67238-87D00	.GEAR, DRIVE	1	
23	67241-99E10	.LEVER, FREE THROTTLE	1	



FIG.245



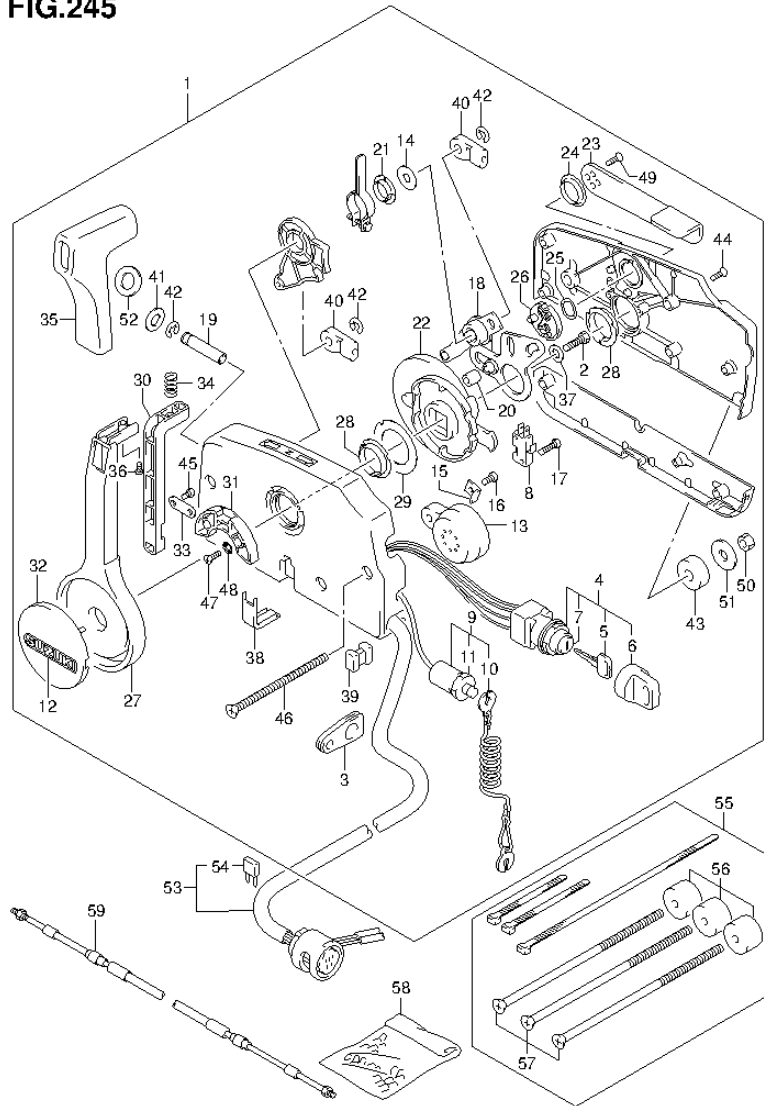
DF20A\_P01\_014\_245  
OPT:REMOTE CONTROL

FIG.245 (2-K-13) OPT:REMOTE CONTROL (DF9.9B P01)

REF NO.	PART NO.	DESCRIPTION	Q'TY	REMARKS
24	67243-95600	.BUSH	1	
25	67244-95600	.WASHER, WAVE	1	
26	67245-95600	.DRUM, FREE THROTTLE	1	
27	67251-99E10	.LEVER, HANDLE	1	
28	67252-95600	.BUSH	2	
29	67253-95600	.WASHER	1	
30	67255-99E00	.ARM, LOCK	1	
31	67256-95600	.HOLDER, NEUT LOCK	1	
32	67257-99E00	.CAP, LEVER	1	
33	67258-99E00	.BRACKET, LOCK ARM	1	
34	67259-87D00	.SPRING, NEUTRAL ARM	1	
35	67261-99E00	.GRIP	1	
36	67296-94310	.SCREW	1	
37	67264-95600	.WASHER	1	
38	67267-93J00	.COVER, WIRE	1	
39	67273-95600	.SPACER	1	
40	67275-95600	.END, CABLE	2	
41	67288-92E00	.WASHER, BRAKE ADJ KNOB	1	
42	67292-94300	.E RING	3	
43	67294-95600	.SPACER	3	
44	67296-90J00	.SCREW	5	
45	67296-94300	.SCREW	2	
46	67296-95600	.SCREW	3	
47	67296-95610	.SCREW	2	
48	67297-95600	.WASHER	2	
49	09126-05003	.SCREW (5X12)	2	
50	09140-06020	.NUT	3	
51	09160-06104	.WASHER (6.5X24X2)	3	
52	37859-90J00	.SPACER	1	
53	36620-94J01	.WIRE ASSY, REMOTE CONTROL	1	
54	09481-10501	.FUSE (10A)	1	
55	67140-95600	.ATTACHMENT, TWIN REMOCON KIT	1	
56	67294-95600	.SPACER	3	
57	67296-95620	.SCREW (L:165)	3	

DF20A\_P01\_014

FIG.245



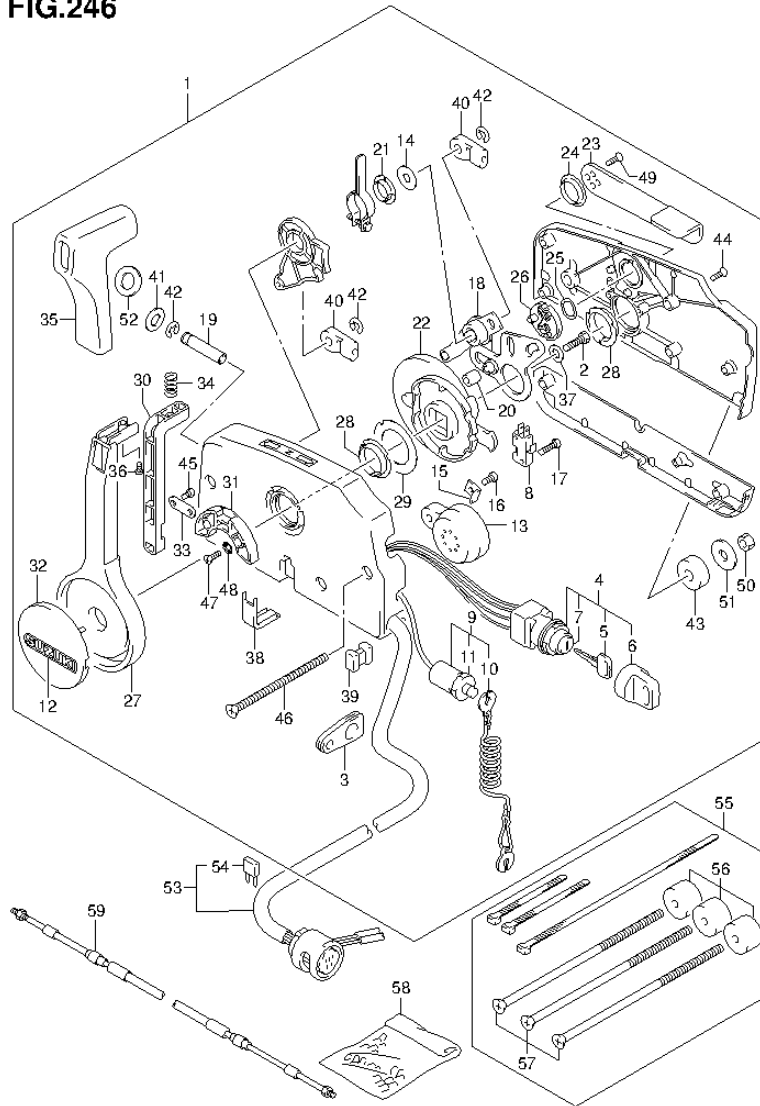
DF20A\_P01\_014\_245  
OPT:REMOTE CONTROL

FIG.245 (2-K-14) OPT:REMOTE CONTROL (DF9.9B P01)

REF NO.	PART NO.	DESCRIPTION	Q'TY	REMARKS
58	36990-87D00	TERMINAL & SLEEVE SET	1	
59-1	67320-93J00	CABLE, REMOCON 8F (2.4M)	1	
59-2	67320-93J10	CABLE, REMOCON 10F (3.1M)	1	
59-3	67320-93J20	CABLE, REMOCON 12F (3.7M)	1	
59-4	67320-93J30	CABLE, REMOCON 14F (4.2M)	1	
59-5	67320-93J40	CABLE, REMOCON 16F (4.8M)	1	
59-6	67320-93J50	CABLE, REMOCON 18F (5.4M)	1	
59-7	67320-93J60	CABLE, REMOCON 20F (6.1M)	1	
59-8	67320-93J70	CABLE, REMOCON 22F (6.7M)	1	
59-9	67320-93J80	CABLE, REMOCON 24F (7.3M)	1	

DF20A\_P01\_014

FIG.246



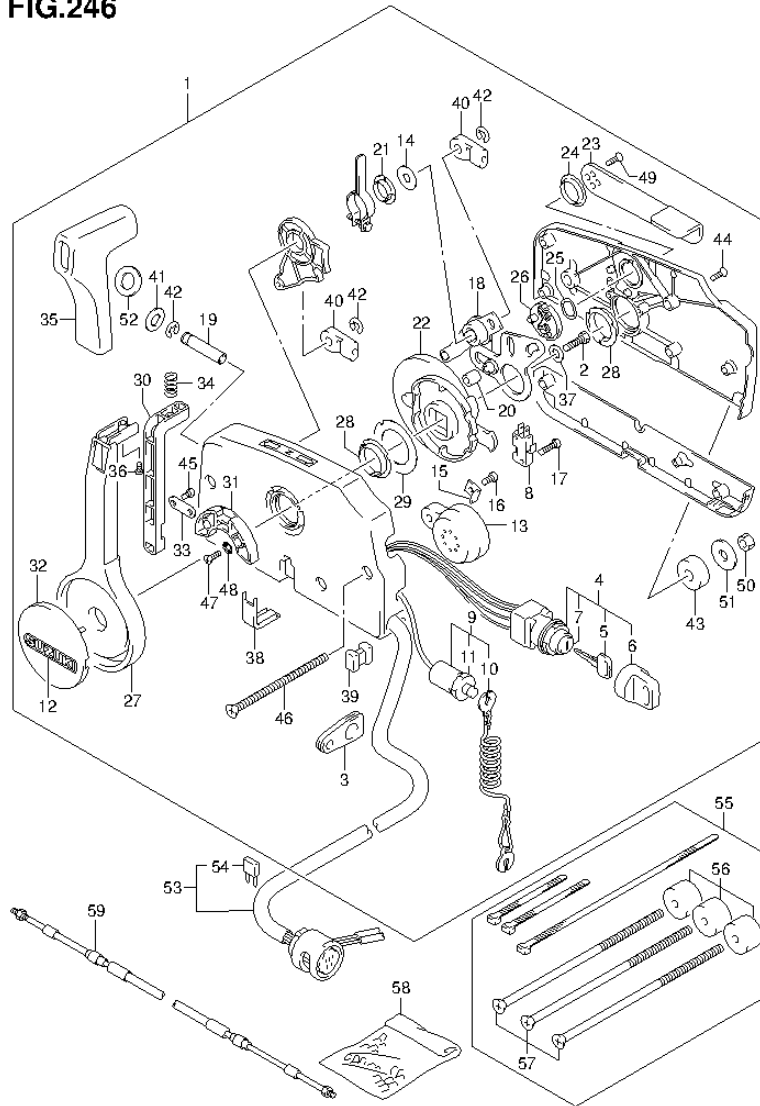
DF20A\_P01\_014\_246  
OPT:REMOTE CONTROL

FIG.246 (2-K-15) OPT:REMOTE CONTROL (DF15A P01)

REF NO.	PART NO.	DESCRIPTION	Q'TY	REMARKS
1	67200-94J15	REMOTE CONTROL ASSY	1	
2	09100-08232	.BOLT (8X30)	1	
3	36628-92E00	.GROMMET, WIRE HARNESS	1	
4	37110-94J02	.SWITCH ASSY, IGNITION	1	
5-1	37141-99E00	..KEY (931)	2	
5-2	37141-99E10	..KEY (932)	2	
5-3	37141-99E20	..KEY (933)	2	
5-4	37141-99E30	..KEY (934)	2	
5-5	37141-99E40	..KEY (935)	2	
5-6	37141-99E50	..KEY (936)	2	
5-7	37141-99E60	..KEY (937)	2	
5-8	37141-99E70	..KEY (938)	2	
5-9	37141-99E80	..KEY (939)	2	
5-10	37141-99E90	..KEY (940)	2	
5-11	37141-99EA0	..KEY (941)	2	
5-12	37141-99EB0	..KEY (942)	2	
6	37143-99E00	..CAP, KEY	2	
7	37149-93J00	..CAP, CYLINDER BODY	1	
8	37721-93J91	.SWITCH, NEUTRAL	1	
9	37820-93J03	.SWITCH ASSY, EMERGENCY	1	
10	37823-92E01	..PLATE	1	
11	37826-92E00	..NUT	1	
12	68165-16B00-13L	.EMBLEM, SUZUKI (SILVER)	1	
13	38500-93J00	.BUZZER	1	
14	67212-95600	.WASHER	1	
15	67213-92E00	.BRACKET, BUZZER	1	
16	09125-05042	.SCREW (5X10)	1	
17	67296-92E11	.SCREW, NEUTRAL SW	2	
18	67220-95630	.PLATE ASSY	1	
19	67223-99E10	.KNOB, BRAKE ADJUST	1	
20	67229-95600	.ROLLER	1	
21	67232-95600	.BUSH	1	
22	67238-87D00	.GEAR, DRIVE	1	
23	67241-99E10	.LEVER, FREE THROTTLE	1	

DF20A\_P01\_014

FIG.246



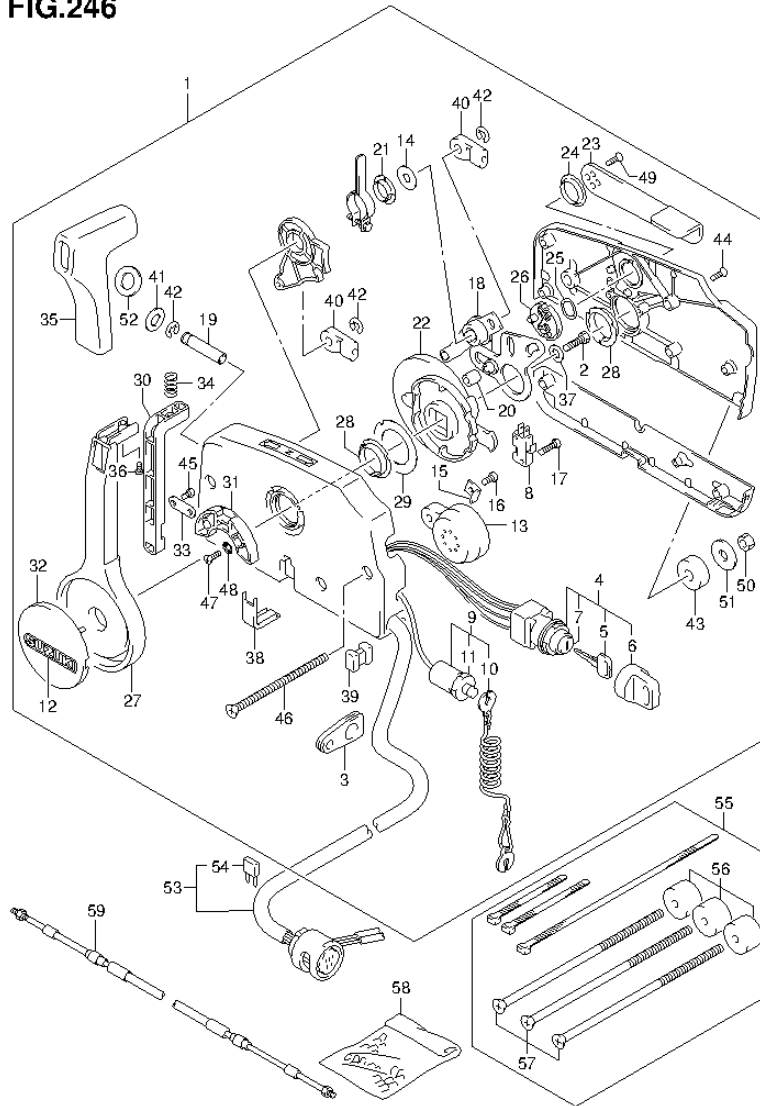
DF20A\_P01\_014\_246  
OPT:REMOTE CONTROL

FIG.246 (2-L-2) OPT:REMOTE CONTROL (DF15A P01)

REF NO.	PART NO.	DESCRIPTION	Q'TY	REMARKS
24	67243-95600	.BUSH	1	
25	67244-95600	.WASHER, WAVE	1	
26	67245-95600	.DRUM, FREE THROTTLE	1	
27	67251-99E10	.LEVER, HANDLE	1	
28	67252-95600	.BUSH	2	
29	67253-95600	.WASHER	1	
30	67255-99E00	.ARM, LOCK	1	
31	67256-95600	.HOLDER, NEUT LOCK	1	
32	67257-99E00	.CAP, LEVER	1	
33	67258-99E00	.BRACKET, LOCK ARM	1	
34	67259-87D00	.SPRING, NEUTRAL ARM	1	
35	67261-99E00	.GRIP	1	
36	67296-94310	.SCREW	1	
37	67264-95600	.WASHER	1	
38	67267-93J00	.COVER, WIRE	1	
39	67273-95600	.SPACER	1	
40	67275-95600	.END, CABLE	2	
41	67288-92E00	.WASHER, BRAKE ADJ KNOB	1	
42	67292-94300	.E RING	3	
43	67294-95600	.SPACER	3	
44	67296-90J00	.SCREW	5	
45	67296-94300	.SCREW	2	
46	67296-95600	.SCREW	3	
47	67296-95610	.SCREW	2	
48	67297-95600	.WASHER	2	
49	09126-05003	.SCREW (5X12)	2	
50	09140-06020	.NUT	3	
51	09160-06104	.WASHER (6.5X24X2)	3	
52	37859-90J00	.SPACER	1	
53	36620-94J01	WIRE ASSY, REMOTE CONTROL	1	
54	09481-10501	.FUSE (10A)	1	
55	67140-95600	ATTACHMENT, TWIN REMOCON KIT	1	
56	67294-95600	.SPACER	3	
57	67296-95620	.SCREW (L:165)	3	

DF20A\_P01\_014

FIG.246



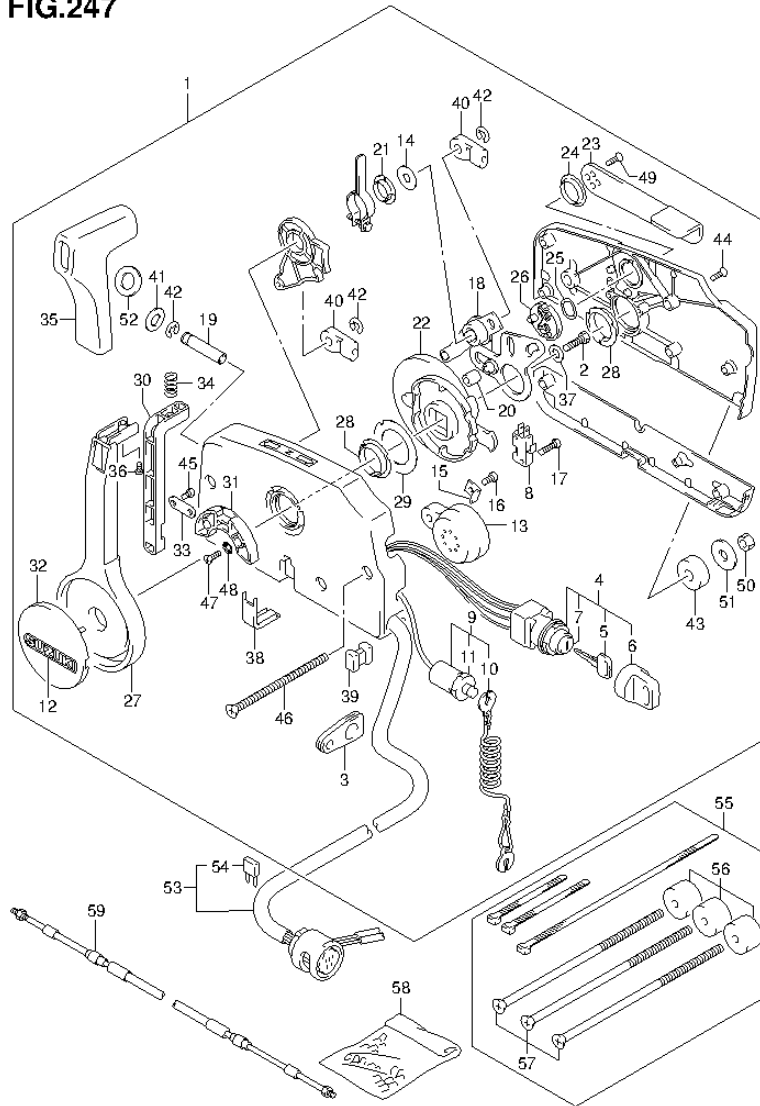
DF20A\_P01\_014\_246  
OPT:REMOTE CONTROL

FIG.246 (2-L-3) OPT:REMOTE CONTROL (DF15A P01)

REF NO.	PART NO.	DESCRIPTION	Q'TY	REMARKS
58	36990-87D00	TERMINAL & SLEEVE SET	1	
59-1	67320-93J00	CABLE, REMOCON 8F (2.4M)	1	
59-2	67320-93J10	CABLE, REMOCON 10F (3.1M)	1	
59-3	67320-93J20	CABLE, REMOCON 12F (3.7M)	1	
59-4	67320-93J30	CABLE, REMOCON 14F (4.2M)	1	
59-5	67320-93J40	CABLE, REMOCON 16F (4.8M)	1	
59-6	67320-93J50	CABLE, REMOCON 18F (5.4M)	1	
59-7	67320-93J60	CABLE, REMOCON 20F (6.1M)	1	
59-8	67320-93J70	CABLE, REMOCON 22F (6.7M)	1	
59-9	67320-93J80	CABLE, REMOCON 24F (7.3M)	1	

DF20A\_P01\_014

FIG.247



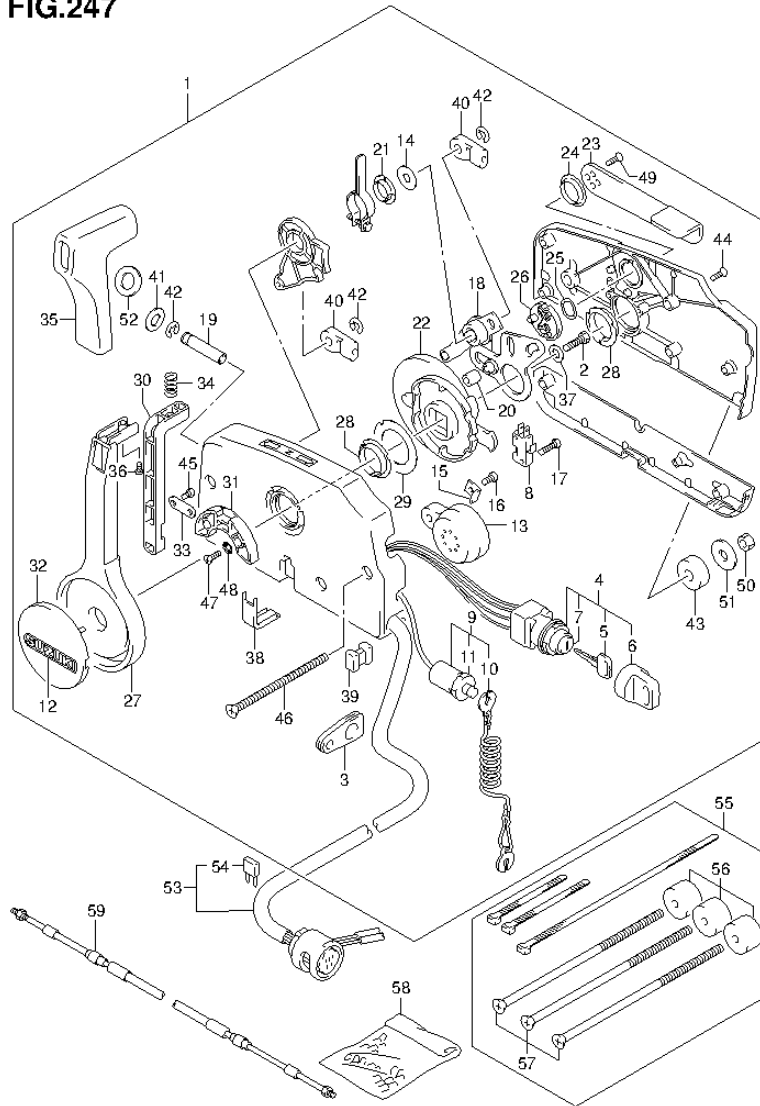
DF20A\_P01\_014\_247  
OPT:REMOTE CONTROL

FIG.247 (2-L-4) OPT:REMOTE CONTROL (DF20A P01)

REF NO.	PART NO.	DESCRIPTION	Q'TY	REMARKS
1	67200-94J15	REMOTE CONTROL ASSY	1	
2	09100-08232	.BOLT (8X30)	1	
3	36628-92E00	.GROMMET, WIRE HARNESS	1	
4	37110-94J02	.SWITCH ASSY, IGNITION	1	
5-1	37141-99E00	..KEY (931)	2	
5-2	37141-99E10	..KEY (932)	2	
5-3	37141-99E20	..KEY (933)	2	
5-4	37141-99E30	..KEY (934)	2	
5-5	37141-99E40	..KEY (935)	2	
5-6	37141-99E50	..KEY (936)	2	
5-7	37141-99E60	..KEY (937)	2	
5-8	37141-99E70	..KEY (938)	2	
5-9	37141-99E80	..KEY (939)	2	
5-10	37141-99E90	..KEY (940)	2	
5-11	37141-99EA0	..KEY (941)	2	
5-12	37141-99EB0	..KEY (942)	2	
6	37143-99E00	..CAP, KEY	2	
7	37149-93J00	..CAP, CYLINDER BODY	1	
8	37721-93J91	.SWITCH, NEUTRAL	1	
9	37820-93J03	.SWITCH ASSY, EMERGENCY	1	
10	37823-92E01	..PLATE	1	
11	37826-92E00	..NUT	1	
12	68165-16B00-13L	.EMBLEM, SUZUKI (SILVER)	1	
13	38500-93J00	.BUZZER	1	
14	67212-95600	.WASHER	1	
15	67213-92E00	.BRACKET, BUZZER	1	
16	09125-05042	.SCREW (5X10)	1	
17	67296-92E11	.SCREW, NEUTRAL SW	2	
18	67220-95630	.PLATE ASSY	1	
19	67223-99E10	.KNOB, BRAKE ADJUST	1	
20	67229-95600	.ROLLER	1	
21	67232-95600	.BUSH	1	
22	67238-87D00	.GEAR, DRIVE	1	
23	67241-99E10	.LEVER, FREE THROTTLE	1	

DF20A\_P01\_014

FIG.247



DF20A\_P01\_014\_247  
OPT:REMOTE CONTROL

FIG.247 (2-L-5) OPT:REMOTE CONTROL (DF20A P01)

REF NO.	PART NO.	DESCRIPTION	Q'TY	REMARKS
24	67243-95600	.BUSH	1	
25	67244-95600	.WASHER, WAVE	1	
26	67245-95600	.DRUM, FREE THROTTLE	1	
27	67251-99E10	.LEVER, HANDLE	1	
28	67252-95600	.BUSH	2	
29	67253-95600	.WASHER	1	
30	67255-99E00	.ARM, LOCK	1	
31	67256-95600	.HOLDER, NEUT LOCK	1	
32	67257-99E00	.CAP, LEVER	1	
33	67258-99E00	.BRACKET, LOCK ARM	1	
34	67259-87D00	.SPRING, NEUTRAL ARM	1	
35	67261-99E00	.GRIP	1	
36	67296-94310	.SCREW	1	
37	67264-95600	.WASHER	1	
38	67267-93J00	.COVER, WIRE	1	
39	67273-95600	.SPACER	1	
40	67275-95600	.END, CABLE	2	
41	67288-92E00	.WASHER, BRAKE ADJ KNOB	1	
42	67292-94300	.E RING	3	
43	67294-95600	.SPACER	3	
44	67296-90J00	.SCREW	5	
45	67296-94300	.SCREW	2	
46	67296-95600	.SCREW	3	
47	67296-95610	.SCREW	2	
48	67297-95600	.WASHER	2	
49	09126-05003	.SCREW (5X12)	2	
50	09140-06020	.NUT	3	
51	09160-06104	.WASHER (6.5X24X2)	3	
52	37859-90J00	.SPACER	1	
53	36620-94J01	.WIRE ASSY, REMOTE CONTROL	1	
54	09481-10501	.FUSE (10A)	1	
55	67140-95600	.ATTACHMENT, TWIN REMOCON KIT	1	
56	67294-95600	.SPACER	3	
57	67296-95620	.SCREW (L:165)	3	

DF20A\_P01\_014

FIG.247

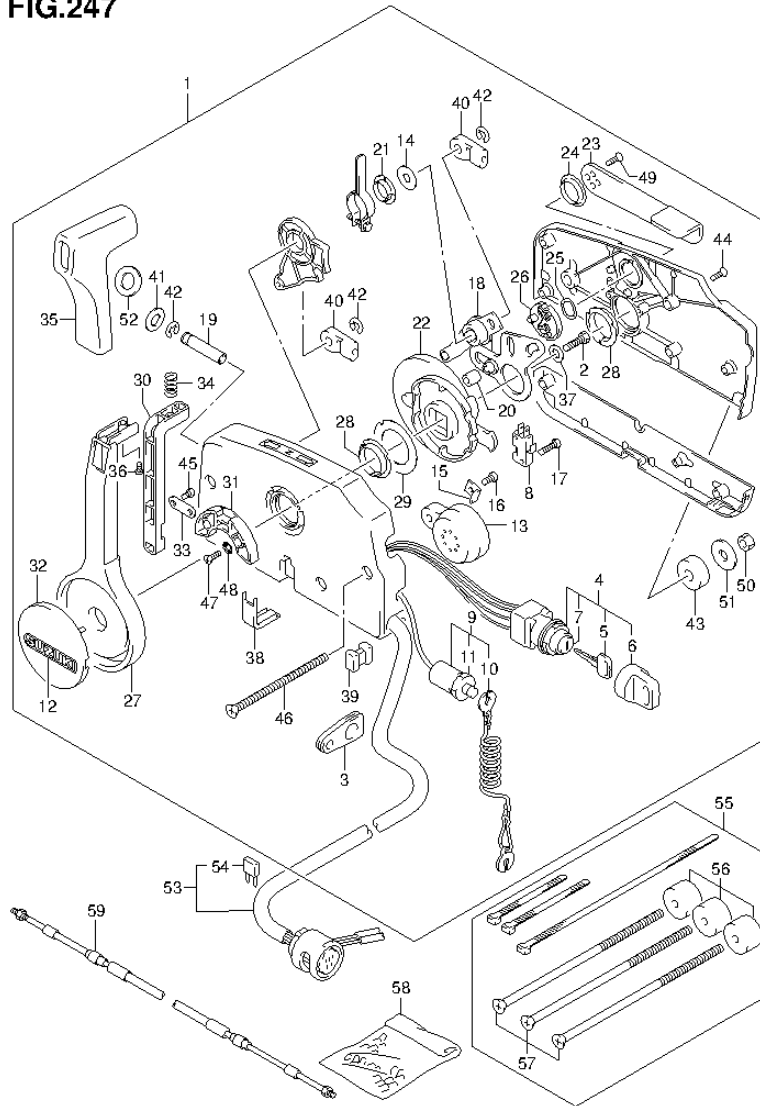


FIG.247 (2-L-6) OPT:REMOTE CONTROL (DF20A P01)

REF NO.	PART NO.	DESCRIPTION	Q'TY	REMARKS
58	36990-87D00	TERMINAL & SLEEVE SET	1	
59-1	67320-93J00	CABLE, REMOCON 8F (2.4M)	1	
59-2	67320-93J10	CABLE, REMOCON 10F (3.1M)	1	
59-3	67320-93J20	CABLE, REMOCON 12F (3.7M)	1	
59-4	67320-93J30	CABLE, REMOCON 14F (4.2M)	1	
59-5	67320-93J40	CABLE, REMOCON 16F (4.8M)	1	
59-6	67320-93J50	CABLE, REMOCON 18F (5.4M)	1	
59-7	67320-93J60	CABLE, REMOCON 20F (6.1M)	1	
59-8	67320-93J70	CABLE, REMOCON 22F (6.7M)	1	
59-9	67320-93J80	CABLE, REMOCON 24F (7.3M)	1	



FIG.248

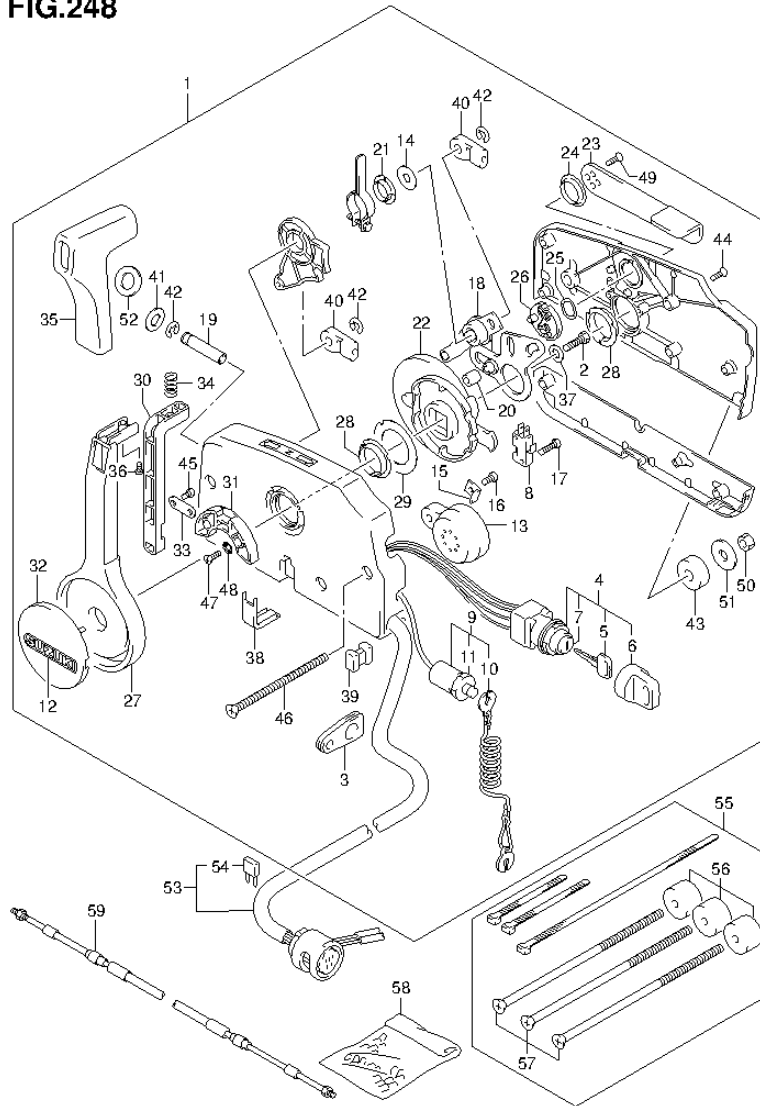
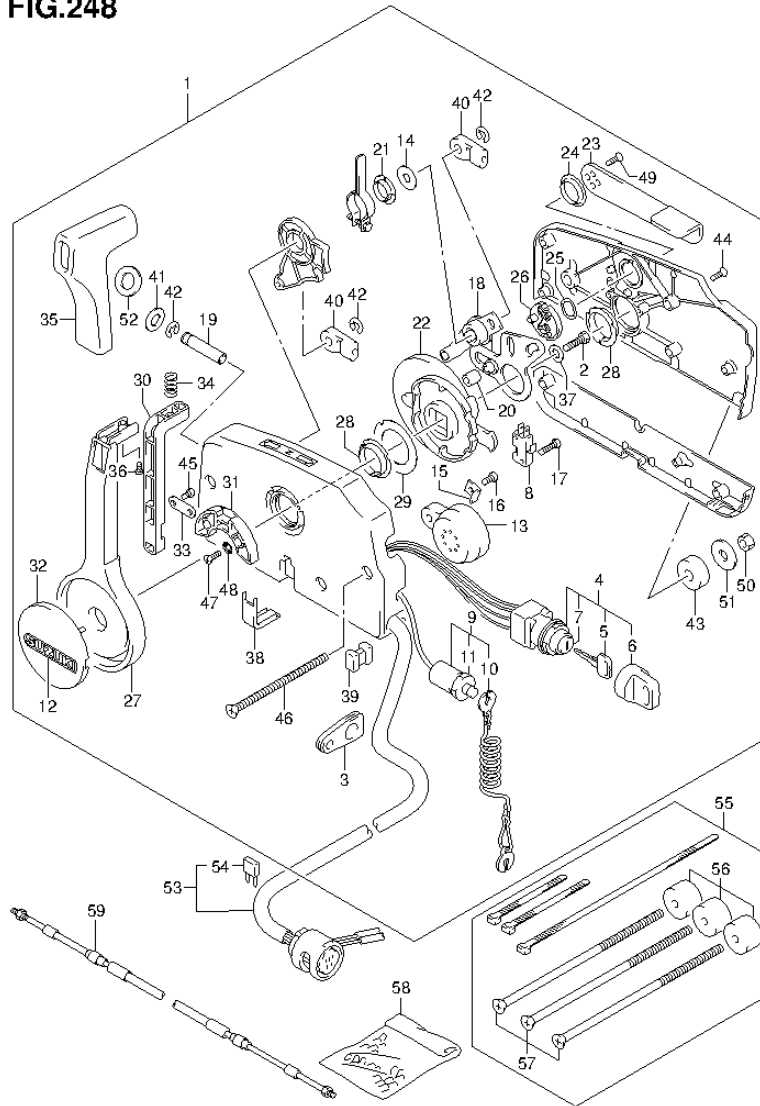


FIG.248 (2-L-7) OPT:REMOTE CONTROL (DF20A P40)

REF NO.	PART NO.	DESCRIPTION	Q'TY	REMARKS
1	67200-94J15	REMOTE CONTROL ASSY	1	
2	09100-08232	.BOLT (8X30)	1	
3	36628-92E00	.GROMMET, WIRE HARNESS	1	
4	37110-94J02	.SWITCH ASSY, IGNITION	1	
5-1	37141-99E00	..KEY (931)	2	
5-2	37141-99E10	..KEY (932)	2	
5-3	37141-99E20	..KEY (933)	2	
5-4	37141-99E30	..KEY (934)	2	
5-5	37141-99E40	..KEY (935)	2	
5-6	37141-99E50	..KEY (936)	2	
5-7	37141-99E60	..KEY (937)	2	
5-8	37141-99E70	..KEY (938)	2	
5-9	37141-99E80	..KEY (939)	2	
5-10	37141-99E90	..KEY (940)	2	
5-11	37141-99EA0	..KEY (941)	2	
5-12	37141-99EB0	..KEY (942)	2	
6	37143-99E00	..CAP, KEY	2	
7	37149-93J00	..CAP, CYLINDER BODY	1	
8	37721-93J91	.SWITCH, NEUTRAL	1	
9	37820-93J03	.SWITCH ASSY, EMERGENCY	1	
10	37823-92E01	..PLATE	1	
11	37826-92E00	..NUT	1	
12	68165-16B00-13L	.EMBLEM, SUZUKI (SILVER)	1	
13	38500-93J00	.BUZZER	1	
14	67212-95600	.WASHER	1	
15	67213-92E00	.BRACKET, BUZZER	1	
16	09125-05042	.SCREW (5X10)	1	
17	67296-92E11	.SCREW, NEUTRAL SW	2	
18	67220-95630	.PLATE ASSY	1	
19	67223-99E10	.KNOB, BRAKE ADJUST	1	
20	67229-95600	.ROLLER	1	
21	67232-95600	.BUSH	1	
22	67238-87D00	.GEAR, DRIVE	1	
23	67241-99E10	.LEVER, FREE THROTTLE	1	

FIG.248



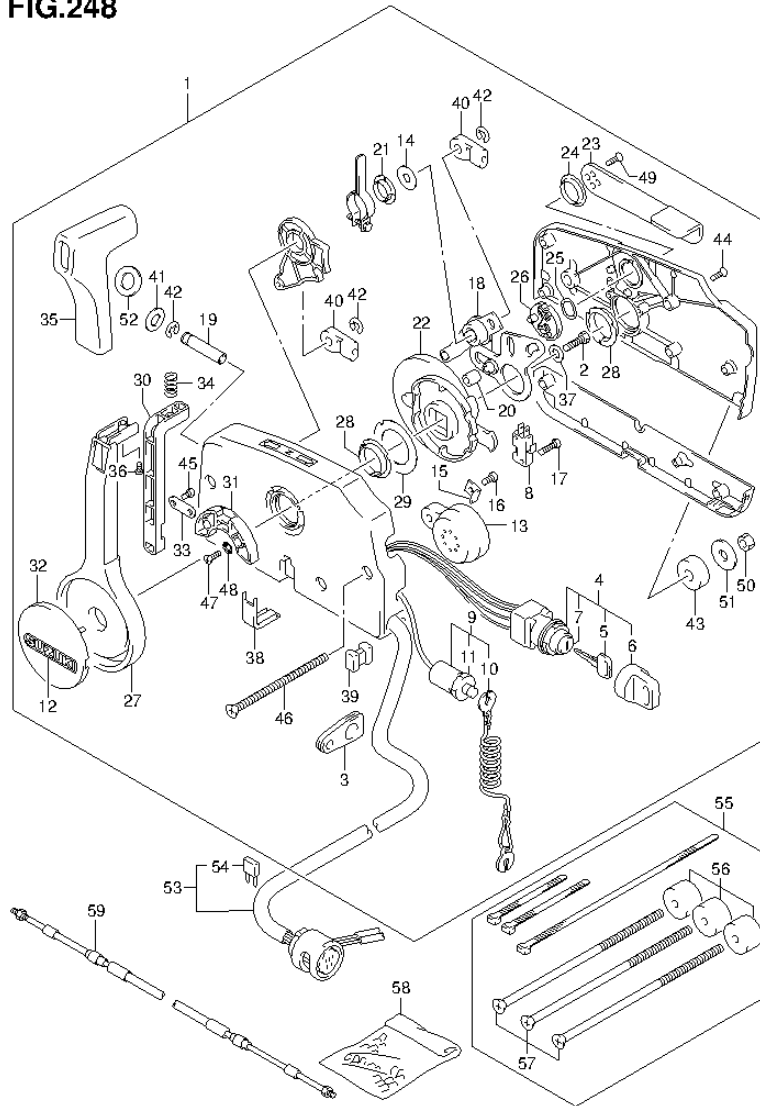
DF20A\_P01\_014\_248  
OPT:REMOTE CONTROL

FIG.248 (2-L-8) OPT:REMOTE CONTROL (DF20A P40)

REF NO.	PART NO.	DESCRIPTION	Q'TY	REMARKS
24	67243-95600	.BUSH	1	
25	67244-95600	.WASHER, WAVE	1	
26	67245-95600	.DRUM, FREE THROTTLE	1	
27	67251-99E10	.LEVER, HANDLE	1	
28	67252-95600	.BUSH	2	
29	67253-95600	.WASHER	1	
30	67255-99E00	.ARM, LOCK	1	
31	67256-95600	.HOLDER, NEUT LOCK	1	
32	67257-99E00	.CAP, LEVER	1	
33	67258-99E00	.BRACKET, LOCK ARM	1	
34	67259-87D00	.SPRING, NEUTRAL ARM	1	
35	67261-99E00	.GRIP	1	
36	67296-94310	.SCREW	1	
37	67264-95600	.WASHER	1	
38	67267-93J00	.COVER, WIRE	1	
39	67273-95600	.SPACER	1	
40	67275-95600	.END, CABLE	2	
41	67288-92E00	.WASHER, BRAKE ADJ KNOB	1	
42	67292-94300	.E RING	3	
43	67294-95600	.SPACER	3	
44	67296-90J00	.SCREW	5	
45	67296-94300	.SCREW	2	
46	67296-95600	.SCREW	3	
47	67296-95610	.SCREW	2	
48	67297-95600	.WASHER	2	
49	09126-05003	.SCREW (5X12)	2	
50	09140-06020	.NUT	3	
51	09160-06104	.WASHER (6.5X24X2)	3	
52	37859-90J00	.SPACER	1	
53	36620-94J01	.WIRE ASSY, REMOTE CONTROL	1	
54	09481-10501	.FUSE (10A)	1	
55	67140-95600	.ATTACHMENT, TWIN REMOCON KIT	1	
56	67294-95600	.SPACER	3	
57	67296-95620	.SCREW (L:165)	3	

DF20A\_P01\_014

FIG.248



DF20A\_P01\_014\_248  
OPT:REMOTE CONTROL

FIG.248 (2-L-9) OPT:REMOTE CONTROL (DF20A P40)

REF NO.	PART NO.	DESCRIPTION	Q'TY	REMARKS
58	36990-87D00	TERMINAL & SLEEVE SET	1	
59-1	67320-93J00	CABLE, REMOCON 8F (2.4M)	1	
59-2	67320-93J10	CABLE, REMOCON 10F (3.1M)	1	
59-3	67320-93J20	CABLE, REMOCON 12F (3.7M)	1	
59-4	67320-93J30	CABLE, REMOCON 14F (4.2M)	1	
59-5	67320-93J40	CABLE, REMOCON 16F (4.8M)	1	
59-6	67320-93J50	CABLE, REMOCON 18F (5.4M)	1	
59-7	67320-93J60	CABLE, REMOCON 20F (6.1M)	1	
59-8	67320-93J70	CABLE, REMOCON 22F (6.7M)	1	
59-9	67320-93J80	CABLE, REMOCON 24F (7.3M)	1	

DF20A\_P01\_014

FIG.249

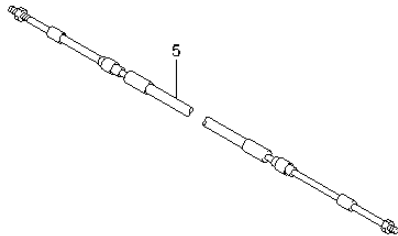
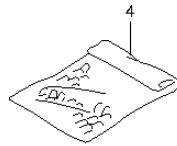
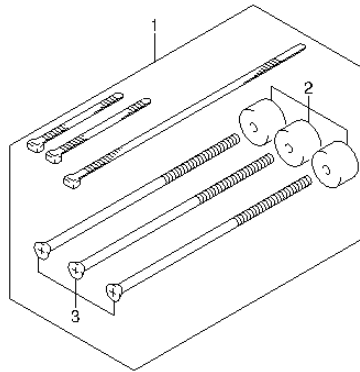


FIG.249 (2-L-10) OPT:REMOCON CABLE (DF9.9BR P01)

REF NO.	PART NO.	DESCRIPTION	Q'TY	REMARKS
1	67140-95600	ATTACHMENT, TWIN REMOCON KIT	1	
2	67294-95600	.SPACER	3	
3	67296-95620	.SCREW (L:165)	3	
4	36990-87D00	TERMINAL & SLEEVE SET	1	
5-1	67320-93J00	CABLE, REMOCON 8F (2.4M)	1	
5-2	67320-93J10	CABLE, REMOCON 10F (3.1M)	1	
5-3	67320-93J20	CABLE, REMOCON 12F (3.7M)	1	
5-4	67320-93J30	CABLE, REMOCON 14F (4.2M)	1	
5-5	67320-93J40	CABLE, REMOCON 16F (4.8M)	1	
5-6	67320-93J50	CABLE, REMOCON 18F (5.4M)	1	
5-7	67320-93J60	CABLE, REMOCON 20F (6.1M)	1	
5-8	67320-93J70	CABLE, REMOCON 22F (6.7M)	1	
5-9	67320-93J80	CABLE, REMOCON 24F (7.3M)	1	

FIG.250

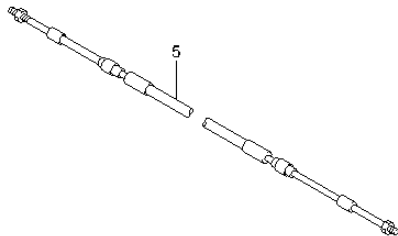
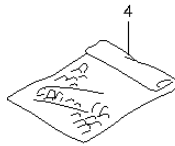
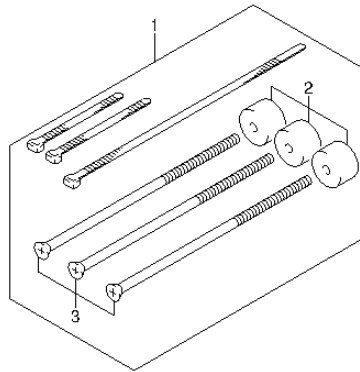


FIG.250 (2-L-11) OPT:REMOCON CABLE (DF9.9BT P01)

REF NO.	PART NO.	DESCRIPTION	Q'TY	REMARKS
1	67140-95600	ATTACHMENT, TWIN REMOCON KIT	1	
2	67294-95600	.SPACER	3	
3	67296-95620	.SCREW (L:165)	3	
4	36990-87D00	TERMINAL & SLEEVE SET	1	
5-1	67320-93J00	CABLE, REMOCON 8F (2.4M)	1	
5-2	67320-93J10	CABLE, REMOCON 10F (3.1M)	1	
5-3	67320-93J20	CABLE, REMOCON 12F (3.7M)	1	
5-4	67320-93J30	CABLE, REMOCON 14F (4.2M)	1	
5-5	67320-93J40	CABLE, REMOCON 16F (4.8M)	1	
5-6	67320-93J50	CABLE, REMOCON 18F (5.4M)	1	
5-7	67320-93J60	CABLE, REMOCON 20F (6.1M)	1	
5-8	67320-93J70	CABLE, REMOCON 22F (6.7M)	1	
5-9	67320-93J80	CABLE, REMOCON 24F (7.3M)	1	

FIG.251

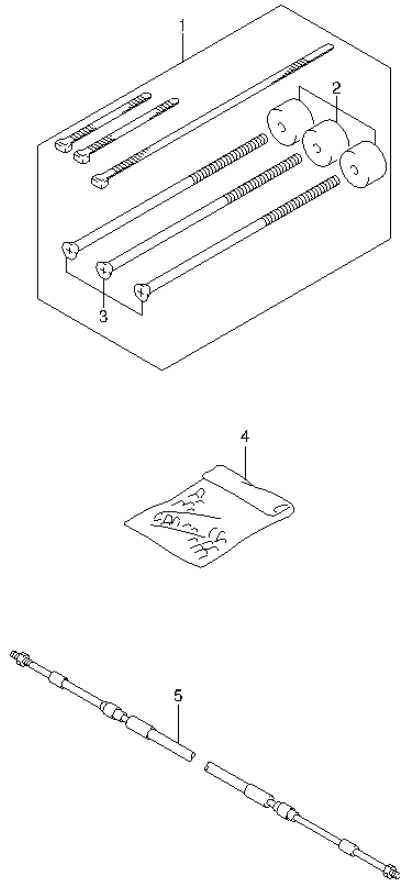


FIG.251 (2-L-12) OPT:REMOCON CABLE (DF15AR P01)

REF NO.	PART NO.	DESCRIPTION	Q'TY	REMARKS
1	67140-95600	ATTACHMENT, TWIN REMOCON KIT	1	
2	67294-95600	.SPACER	3	
3	67296-95620	.SCREW (L:165)	3	
4	36990-87D00	TERMINAL & SLEEVE SET	1	
5-1	67320-93J00	CABLE, REMOCON 8F (2.4M)	1	
5-2	67320-93J10	CABLE, REMOCON 10F (3.1M)	1	
5-3	67320-93J20	CABLE, REMOCON 12F (3.7M)	1	
5-4	67320-93J30	CABLE, REMOCON 14F (4.2M)	1	
5-5	67320-93J40	CABLE, REMOCON 16F (4.8M)	1	
5-6	67320-93J50	CABLE, REMOCON 18F (5.4M)	1	
5-7	67320-93J60	CABLE, REMOCON 20F (6.1M)	1	
5-8	67320-93J70	CABLE, REMOCON 22F (6.7M)	1	
5-9	67320-93J80	CABLE, REMOCON 24F (7.3M)	1	

FIG.252

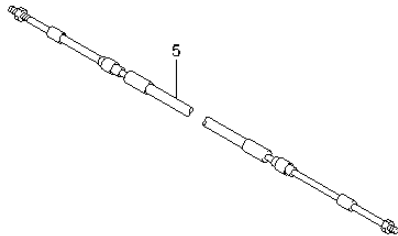
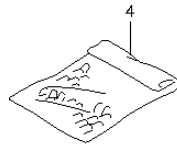
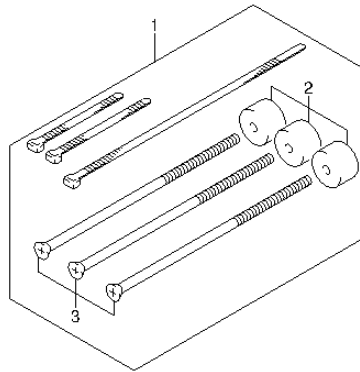


FIG.252 (2-L-13) OPT:REMOCON CABLE (DF20AR P01)

REF NO.	PART NO.	DESCRIPTION	Q'TY	REMARKS
1	67140-95600	ATTACHMENT, TWIN REMOCON KIT	1	
2	67294-95600	.SPACER	3	
3	67296-95620	.SCREW (L:165)	3	
4	36990-87D00	TERMINAL & SLEEVE SET	1	
5-1	67320-93J00	CABLE, REMOCON 8F (2.4M)	1	
5-2	67320-93J10	CABLE, REMOCON 10F (3.1M)	1	
5-3	67320-93J20	CABLE, REMOCON 12F (3.7M)	1	
5-4	67320-93J30	CABLE, REMOCON 14F (4.2M)	1	
5-5	67320-93J40	CABLE, REMOCON 16F (4.8M)	1	
5-6	67320-93J50	CABLE, REMOCON 18F (5.4M)	1	
5-7	67320-93J60	CABLE, REMOCON 20F (6.1M)	1	
5-8	67320-93J70	CABLE, REMOCON 22F (6.7M)	1	
5-9	67320-93J80	CABLE, REMOCON 24F (7.3M)	1	

FIG.253

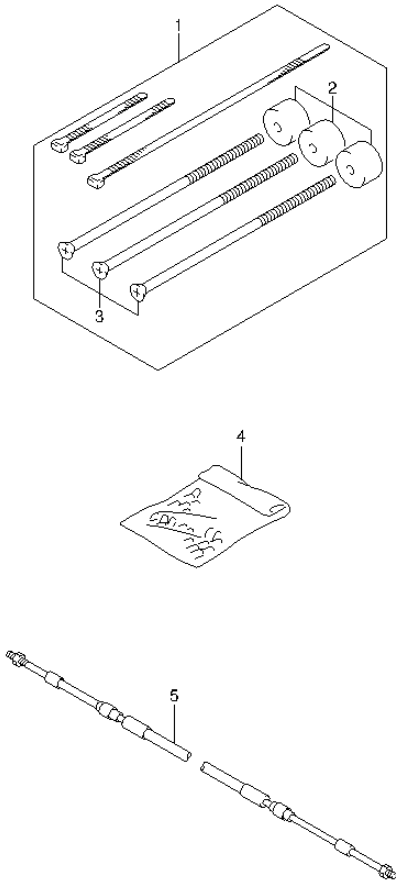


FIG.253 (2-L-14) OPT:REMOCON CABLE (DF20AT P01)

REF NO.	PART NO.	DESCRIPTION	Q'TY	REMARKS
1	67140-95600	ATTACHMENT, TWIN REMOCON KIT	1	
2	67294-95600	.SPACER	3	
3	67296-95620	.SCREW (L:165)	3	
4	36990-87D00	TERMINAL & SLEEVE SET	1	
5-1	67320-93J00	CABLE, REMOCON 8F (2.4M)	1	
5-2	67320-93J10	CABLE, REMOCON 10F (3.1M)	1	
5-3	67320-93J20	CABLE, REMOCON 12F (3.7M)	1	
5-4	67320-93J30	CABLE, REMOCON 14F (4.2M)	1	
5-5	67320-93J40	CABLE, REMOCON 16F (4.8M)	1	
5-6	67320-93J50	CABLE, REMOCON 18F (5.4M)	1	
5-7	67320-93J60	CABLE, REMOCON 20F (6.1M)	1	
5-8	67320-93J70	CABLE, REMOCON 22F (6.7M)	1	
5-9	67320-93J80	CABLE, REMOCON 24F (7.3M)	1	



FIG.254

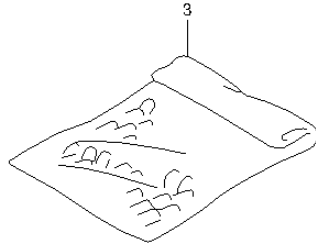
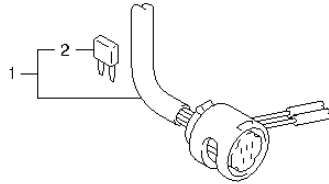


FIG.254 (2-L-15) OPT:REMOCON CABLE (ELECTRIC STARTER) (DF9.9B P01)

REF NO.	PART NO.	DESCRIPTION	Q'TY	REMARKS
1	36620-94J01	WIRE ASSY, REMOTE CONTROL	1	
2	09481-10501	.FUSE (10A)	1	
3	36990-87D00	TERMINAL & SLEEVE SET	1	

FIG.255

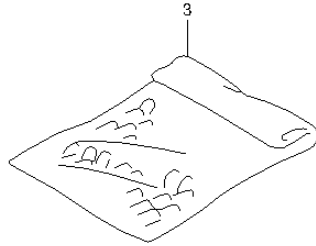
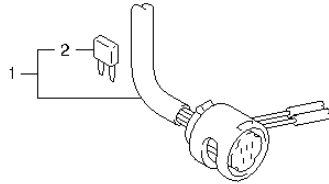
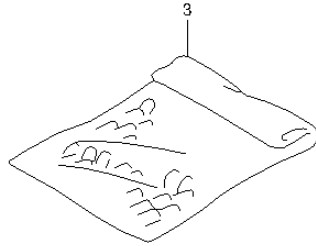
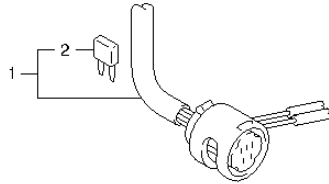


FIG.255 (3-B-2) OPT:REMOCON CABLE (ELECTRIC STARTER) (DF15A P01)

REF NO.	PART NO.	DESCRIPTION	Q'TY	REMARKS
1	36620-94J01	WIRE ASSY, REMOTE CONTROL	1	
2	09481-10501	.FUSE (10A)	1	
3	36990-87D00	TERMINAL & SLEEVE SET	1	

**FIG.256**



**FIG.256 (3-B-3) OPT:REMOCON CABLE (ELECTRIC STARTER) (DF15ATH P01)**

REF NO.	PART NO.	DESCRIPTION	Q'TY	REMARKS
1	36620-94J01	WIRE ASSY, REMOTE CONTROL	1	
2	09481-10501	.FUSE (10A)	1	
3	36990-87D00	TERMINAL & SLEEVE SET	1	

FIG.257

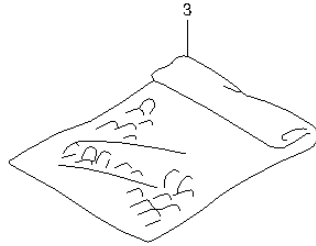
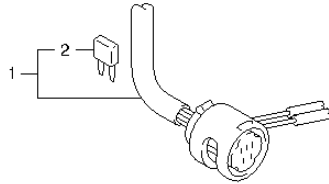


FIG.257 (3-B-4) OPT:REMOCON CABLE (ELECTRIC STARTER) (DF20A P01)

REF NO.	PART NO.	DESCRIPTION	Q'TY	REMARKS
1	36620-94J01	WIRE ASSY, REMOTE CONTROL	1	
2	09481-10501	.FUSE (10A)	1	
3	36990-87D00	TERMINAL & SLEEVE SET	1	

FIG.258

FIG.258 (3-B-5) OPT:REMOCON CABLE (ELECTRIC STARTER) (DF20A P40)

REF NO.	PART NO.	DESCRIPTION	Q'TY	REMARKS
1	36620-94J01	WIRE ASSY, REMOTE CONTROL	1	
2	09481-10501	.FUSE (10A)	1	
3	36990-87D00	TERMINAL & SLEEVE SET	1	

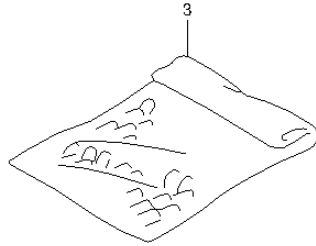
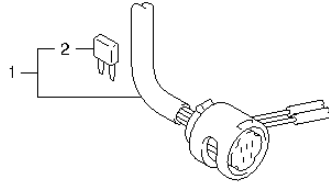


FIG.259

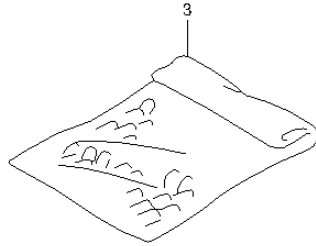
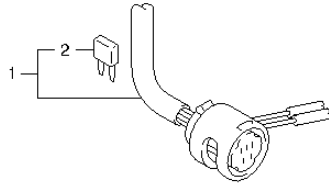
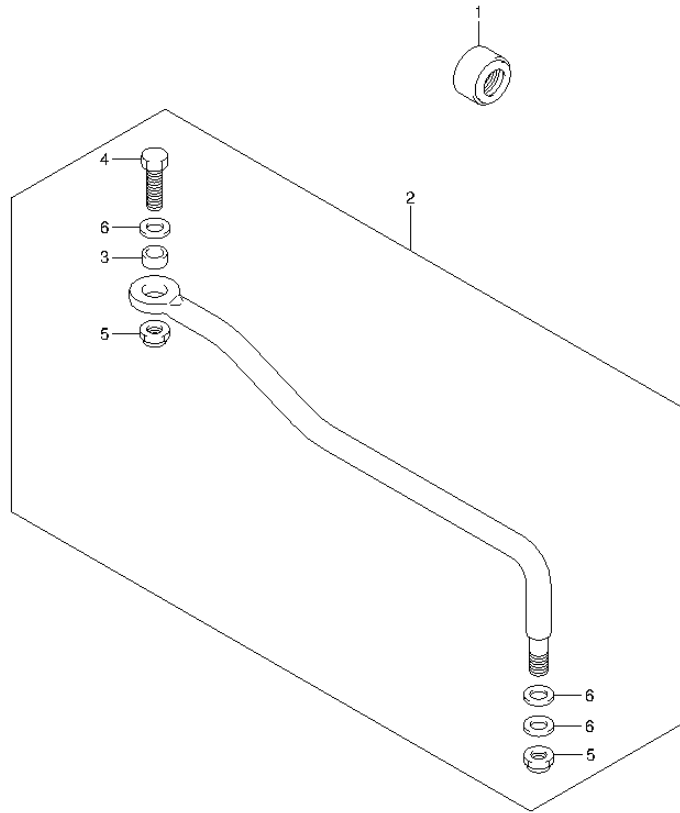


FIG.259 (3-B-6) OPT:REMOCON CABLE (ELECTRIC STARTER) (DF20ATH P01)

REF NO.	PART NO.	DESCRIPTION	Q'TY	REMARKS
1	36620-94J01	WIRE ASSY, REMOTE CONTROL	1	
2	09481-10501	.FUSE (10A)	1	
3	36990-87D00	TERMINAL & SLEEVE SET	1	

**FIG.260**



**FIG.260 (3-B-7) OPT:DRAG LINK (DF9.9B P01)**

REF NO.	PART NO.	DESCRIPTION	Q'TY	REMARKS
1	41161-94400	SEAL, STEERING CABLE	1	
2	67701-99J01	LINK ASSY, DRAG	1	
3	67721-89J00	.SPACER	1	
4	67725-99J00	.BOLT	1	
5	67726-99E00	.NUT	2	
6	67728-99E00	.WASHER	3	



FIG.261

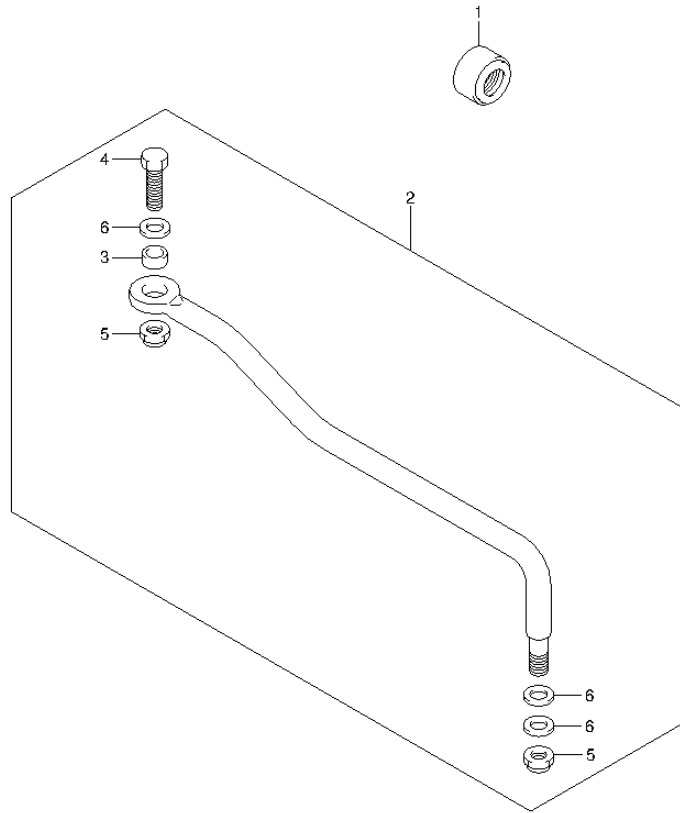


FIG.261 (3-B-8) OPT:DRAG LINK (DF15A P01)

REF NO.	PART NO.	DESCRIPTION	Q'TY	REMARKS
1	41161-94400	SEAL, STEERING CABLE	1	
2	67701-99J01	LINK ASSY, DRAG	1	
3	67721-89J00	.SPACER	1	
4	67725-99J00	.BOLT	1	
5	67726-99E00	.NUT	2	
6	67728-99E00	.WASHER	3	





FIG.262

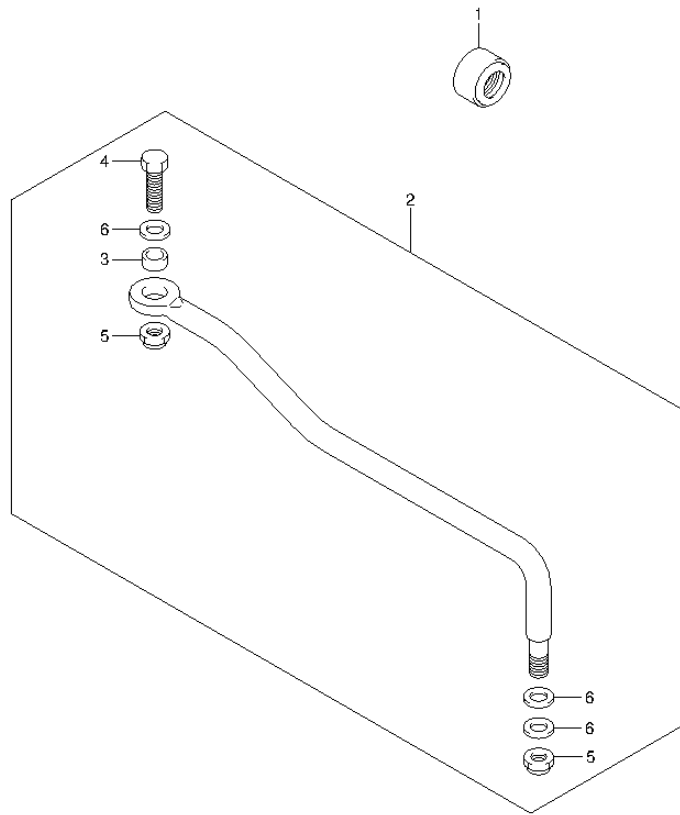


FIG.262 (3-B-9) OPT:DRAG LINK (DF20A P01)

REF NO.	PART NO.	DESCRIPTION	Q'TY	REMARKS
1	41161-94400	SEAL, STEERING CABLE	1	
2	67701-99J01	LINK ASSY, DRAG	1	
3	67721-89J00	.SPACER	1	
4	67725-99J00	.BOLT	1	
5	67726-99E00	.NUT	2	
6	67728-99E00	.WASHER	3	



FIG.263

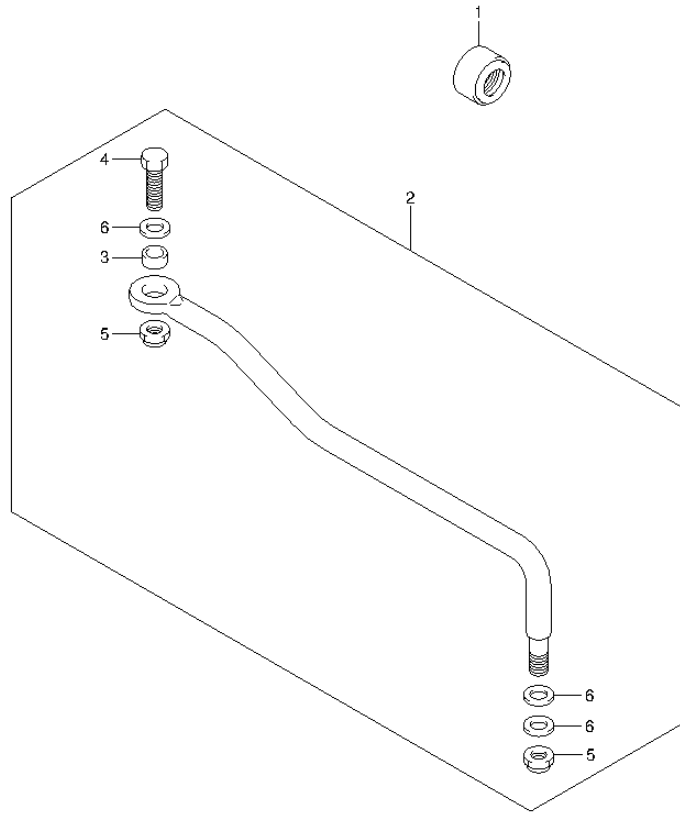


FIG.263 (3-B-10) OPT:DRAG LINK (DF20A P40)

REF NO.	PART NO.	DESCRIPTION	Q'TY	REMARKS
1	41161-94400	SEAL, STEERING CABLE	1	
2	67701-99J01	LINK ASSY, DRAG	1	
3	67721-89J00	.SPACER	1	
4	67725-99J00	.BOLT	1	
5	67726-99E00	.NUT	2	
6	67728-99E00	.WASHER	3	



FIG.264

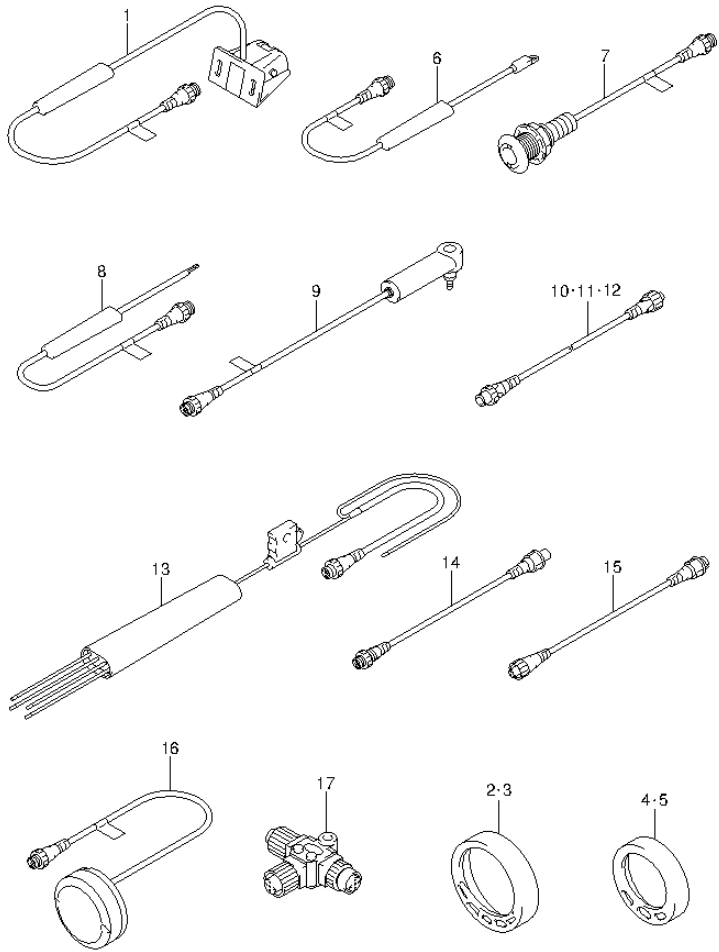


FIG.264 (3-B-11) OPT:LOWRANCE GAUGE (DF9.9BR P01)

REF NO.	PART NO.	DESCRIPTION	Q'TY	REMARKS
1	34190-88L00	SENSOR ASSY,PAD WHEEL	1	
2	34193-88L00	BEZEL, 4 IN CHR	1	
3	34193-88L20	BEZEL, 4 IN WHITE	1	
4	34193-88L40	BEZEL, 2 IN CHR	1	
5	34193-88L60	BEZEL, 2 IN WHITE	1	
6	34455-88L00	SENSOR ASSY, WATER TEMP	1	
7	34455-88L10	SENSOR ASSY, WATER TEMP	1	
8	34810-88L00	SENSOR ASSY, FLUID LEVEL	1	
9	34960-88L00	SENSOR ASSY, WATER PRESSURE	1	
10	36662-88L10	WIRE, 2 EXTENSION	1	
11	36662-88L20	WIRE, 6 EXTENSION	1	
12	36662-88L30	WIRE, 15 EXTENSION	1	
13	36663-88L10	HARNESS ASSY, NETWORK POWER	1	
14	36666-88L00	WIRE, ADAPTER TO N NETWORK	1	
15	36666-88L10	WIRE, ADAPTER TO L NETWORK	1	
16	39950-88L00	MODULE ASSY, GPS RECEIVER	1	
17	36664-88L00	CONNECTOR, BRANCH	1	

FIG.265

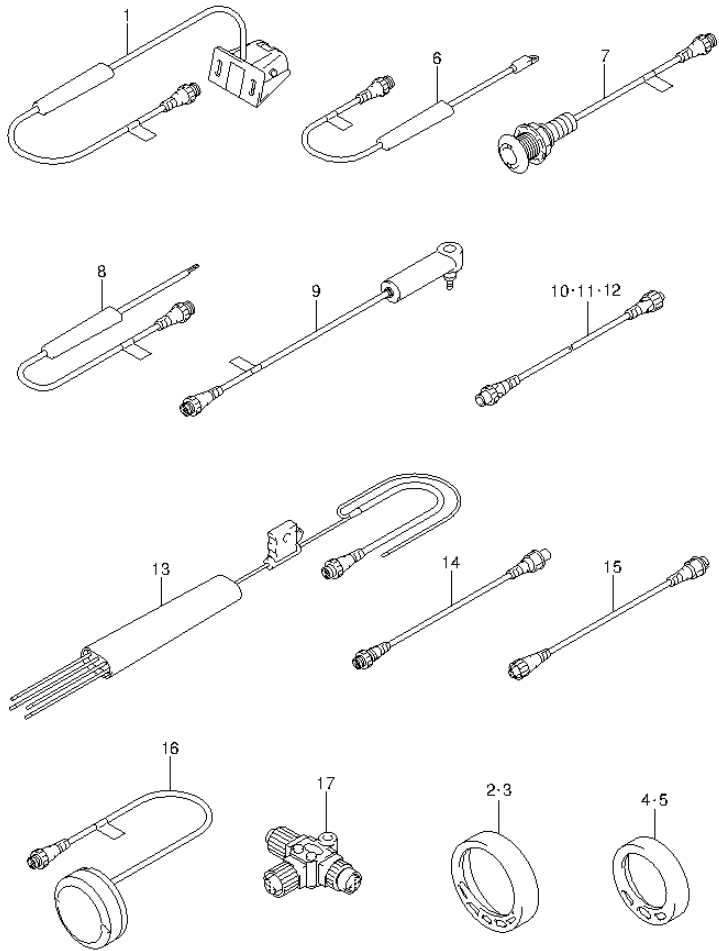


FIG.265 (3-B-12) OPT:LOWRANCE GAUGE (DF9.9BT P01)

REF NO.	PART NO.	DESCRIPTION	Q'TY	REMARKS
1	34190-88L00	SENSOR ASSY,PAD WHEEL	1	
2	34193-88L00	BEZEL, 4 IN CHR	1	
3	34193-88L20	BEZEL, 4 IN WHITE	1	
4	34193-88L40	BEZEL, 2 IN CHR	1	
5	34193-88L60	BEZEL, 2 IN WHITE	1	
6	34455-88L00	SENSOR ASSY, WATER TEMP	1	
7	34455-88L10	SENSOR ASSY, WATER TEMP	1	
8	34810-88L00	SENSOR ASSY, FLUID LEVEL	1	
9	34960-88L00	SENSOR ASSY, WATER PRESSURE	1	
10	36662-88L10	WIRE, 2 EXTENSION	1	
11	36662-88L20	WIRE, 6 EXTENSION	1	
12	36662-88L30	WIRE, 15 EXTENSION	1	
13	36663-88L10	HARNESS ASSY, NETWORK POWER	1	
14	36666-88L00	WIRE, ADAPTER TO N NETWORK	1	
15	36666-88L10	WIRE, ADAPTER TO L NETWORK	1	
16	39950-88L00	MODULE ASSY, GPS RECEIVER	1	
17	36664-88L00	CONNECTOR, BRANCH	1	

FIG.266

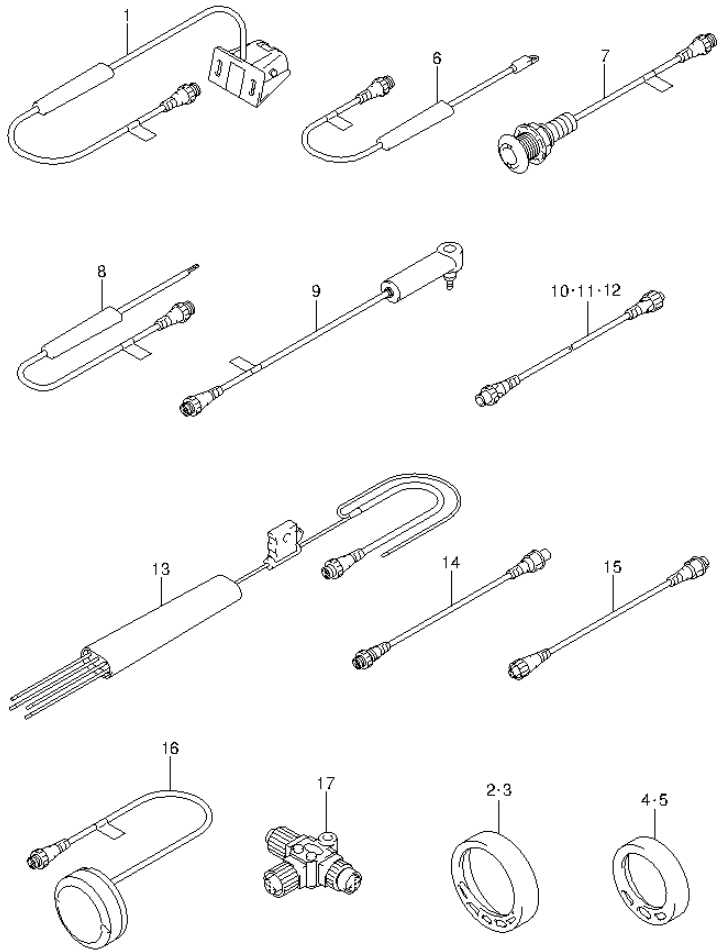


FIG.266 (3-B-13) OPT:LOWRANCE GAUGE (DF15AR P01)

REF NO.	PART NO.	DESCRIPTION	Q'TY	REMARKS
1	34190-88L00	SENSOR ASSY,PAD WHEEL	1	
2	34193-88L00	BEZEL, 4 IN CHR	1	
3	34193-88L20	BEZEL, 4 IN WHITE	1	
4	34193-88L40	BEZEL, 2 IN CHR	1	
5	34193-88L60	BEZEL, 2 IN WHITE	1	
6	34455-88L00	SENSOR ASSY, WATER TEMP	1	
7	34455-88L10	SENSOR ASSY, WATER TEMP	1	
8	34810-88L00	SENSOR ASSY, FLUID LEVEL	1	
9	34960-88L00	SENSOR ASSY, WATER PRESSURE	1	
10	36662-88L10	WIRE, 2 EXTENSION	1	
11	36662-88L20	WIRE, 6 EXTENSION	1	
12	36662-88L30	WIRE, 15 EXTENSION	1	
13	36663-88L10	HARNESS ASSY, NETWORK POWER	1	
14	36666-88L00	WIRE, ADAPTER TO N NETWORK	1	
15	36666-88L10	WIRE, ADAPTER TO L NETWORK	1	
16	39950-88L00	MODULE ASSY, GPS RECEIVER	1	
17	36664-88L00	CONNECTOR, BRANCH	1	

FIG.267

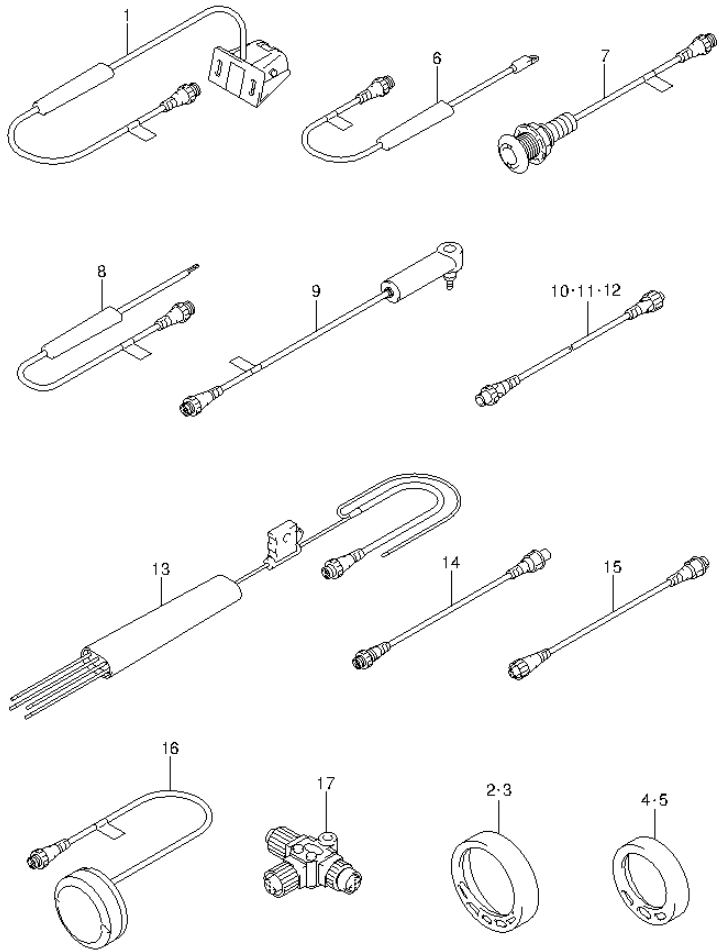


FIG.267 (3-B-14) OPT:LOWRANCE GAUGE (DF20AR P01)

REF NO.	PART NO.	DESCRIPTION	Q'TY	REMARKS
1	34190-88L00	SENSOR ASSY,PAD WHEEL	1	
2	34193-88L00	BEZEL, 4 IN CHR	1	
3	34193-88L20	BEZEL, 4 IN WHITE	1	
4	34193-88L40	BEZEL, 2 IN CHR	1	
5	34193-88L60	BEZEL, 2 IN WHITE	1	
6	34455-88L00	SENSOR ASSY, WATER TEMP	1	
7	34455-88L10	SENSOR ASSY, WATER TEMP	1	
8	34810-88L00	SENSOR ASSY, FLUID LEVEL	1	
9	34960-88L00	SENSOR ASSY, WATER PRESSURE	1	
10	36662-88L10	WIRE, 2 EXTENSION	1	
11	36662-88L20	WIRE, 6 EXTENSION	1	
12	36662-88L30	WIRE, 15 EXTENSION	1	
13	36663-88L10	HARNESS ASSY, NETWORK POWER	1	
14	36666-88L00	WIRE, ADAPTER TO N NETWORK	1	
15	36666-88L10	WIRE, ADAPTER TO L NETWORK	1	
16	39950-88L00	MODULE ASSY, GPS RECEIVER	1	
17	36664-88L00	CONNECTOR, BRANCH	1	

FIG.268

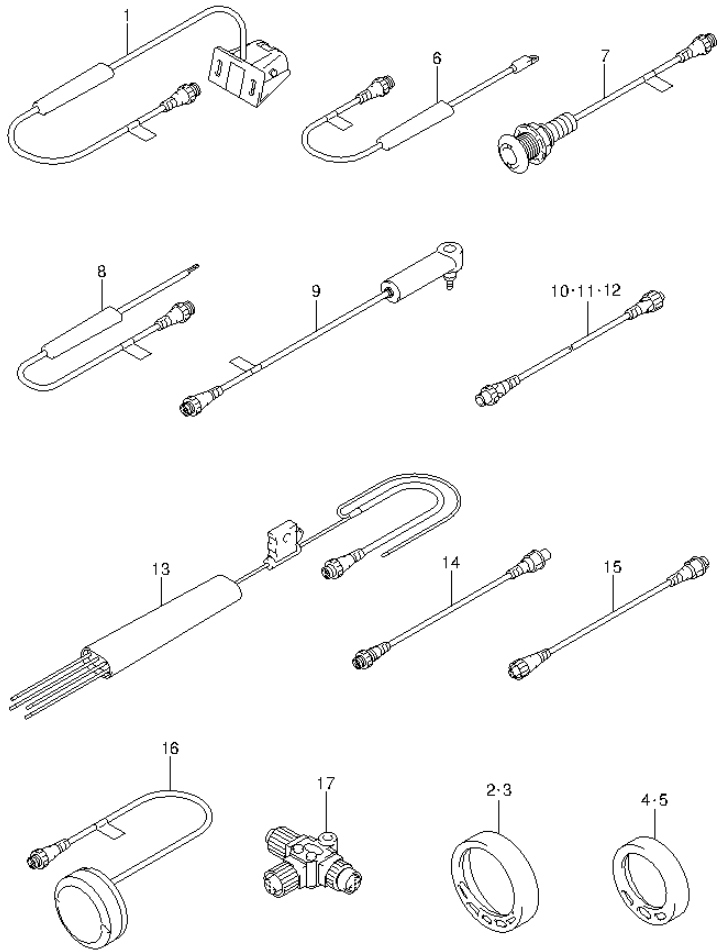


FIG.268 (3-B-15) OPT:LOWRANCE GAUGE (DF20AT P01)

REF NO.	PART NO.	DESCRIPTION	Q'TY	REMARKS
1	34190-88L00	SENSOR ASSY,PAD WHEEL	1	
2	34193-88L00	BEZEL, 4 IN CHR	1	
3	34193-88L20	BEZEL, 4 IN WHITE	1	
4	34193-88L40	BEZEL, 2 IN CHR	1	
5	34193-88L60	BEZEL, 2 IN WHITE	1	
6	34455-88L00	SENSOR ASSY, WATER TEMP	1	
7	34455-88L10	SENSOR ASSY, WATER TEMP	1	
8	34810-88L00	SENSOR ASSY, FLUID LEVEL	1	
9	34960-88L00	SENSOR ASSY, WATER PRESSURE	1	
10	36662-88L10	WIRE, 2 EXTENSION	1	
11	36662-88L20	WIRE, 6 EXTENSION	1	
12	36662-88L30	WIRE, 15 EXTENSION	1	
13	36663-88L10	HARNESS ASSY, NETWORK POWER	1	
14	36666-88L00	WIRE, ADAPTER TO N NETWORK	1	
15	36666-88L10	WIRE, ADAPTER TO L NETWORK	1	
16	39950-88L00	MODULE ASSY, GPS RECEIVER	1	
17	36664-88L00	CONNECTOR, BRANCH	1	

PART NO.	FIG.NO.-REF.NO.	PART NO.	FIG.NO.-REF.NO.	PART NO.	FIG.NO.-REF.NO.
10000			216-23		12-6
			217-23		13-6
			218-23		14-6
			219-23		15-6
			220-23	12891-94J00	5-7
	11110-89L01	1-1			6-7
	11115-93E00-001	1-19			7-7
	11141-89L00	1-2	12741-89L00		8-7
	11162-89L00	1-14	12744-89L00		9-7
	11170-89L00	1-13	12761-93E00		10-7
11174-89L00	1-16	12840-89L00		11-7	
11261-93J00	1-5			12-7	
11291-91B50	2-6			13-7	
11300-89L01	2-1			14-7	
11382-93E00	1-10			15-7	
12100-89L00-050	3-10			5-8	
12111-89L00-0B0	3-1		12911-93E00	6-8	
12140-89L00	3-2			7-8	
12140-89L00-050	3-11			8-8	
12151-89L00	3-3			9-8	
12160-89L00	3-5			10-8	
12163-89L00	3-6	12842-49201		11-8	
12220-89L00	3-7			12-8	
12229-33C00-0A0	3-8			13-8	
12229-33C00-0D0	3-12			14-8	
12625-89L01	4-11			15-8	
12631-89L10	4-1			5-9	
12635-89L00	4-2			6-9	
12636-89L00	4-3			7-9	
12637-89L00	4-4			8-9	
12638-89L00	4-5			9-9	
12700-89L00	5-1-1			10-9	
	8-1-1	12843-27A00		11-9	
	11-1-1			12-9	
	12-1-1			13-9	
12700-89L20	5-1-2			14-9	
	6-1			15-9	
	7-1			5-10	
	8-1-2			6-10	
	9-1			7-10	
	10-1			8-10	
	11-1-2			9-10	
	12-1-2			10-10	
	13-1	12861-89L00		11-10	
	14-1			12-10	
	15-1			13-10	
	212-23			14-10	
	213-23			15-10	
	214-23			5-11	
	215-23		12931-78G00	6-11	

PART NO.	FIG.NO.-REF.NO.	PART NO.	FIG.NO.-REF.NO.	PART NO.	FIG.NO.-REF.NO.
					24-10
					25-10
					26-10
		13119-89L00			16-2
					17-2
					18-2
					19-2
					20-2
					21-2
12932-24400	5-12				22-2
	6-12				23-2
	7-12				24-2
	8-12				25-2
	9-12				26-2
	10-12	13300-89L00			57-1
	11-12				60-1
	12-12				62-1
	13-12				63-1
	14-12				64-1
	15-12				67-1
12933-71C00	5-13	13300-89L10			58-1
	6-13				59-1
	7-13				61-1
	8-13				65-1
	9-13				66-1
	10-13	13326-89L00			57-4
	11-13				58-4
	12-13				59-4
	13-13				60-4
	14-13				61-4
	15-13				62-4
13111-89L00	16-1				63-4
	17-1				64-4
	18-1				65-4
	19-1				66-4
	20-1				67-4
	21-1	13420-16HA0			57-2
	22-1				58-2
	23-1				59-2
	24-1				60-2
	25-1				61-2
	26-1				62-2
13116-94J00	16-8				63-2
	17-8				64-2
	18-8				65-2
	19-8				66-2
	20-8				67-2
	21-8	13421-89L00			57-5
	22-10				58-5
	23-10				59-5
					60-5
					61-5
					62-5
					63-5
					64-5
					65-5
					66-5
					67-5
		13425-33G00			57-3
					58-3
					59-3
					60-3
					61-3
					62-3
					63-3
					64-3
					65-3
					66-3
					67-3
					52-1
					53-1
					54-1
					55-1
					56-1
					233-2
					234-2
					235-2
					236-2
					113-1
					114-1
					115-1
					116-1
					117-1
					118-1
					119-1
					120-1
					121-1
					122-1
					123-1
					113-12
					114-11
					115-11
					116-12
					117-11
					118-11
					119-12
					120-12
					121-11
					122-11
					123-11



PART NO.	FIG.NO.-REF.NO.	PART NO.	FIG.NO.-REF.NO.	PART NO.	FIG.NO.-REF.NO.
13655-89L00	113-13	15100-89L00	28-24		32-19
	114-12	15191-89L00	28-25		33-19
	115-12	15192-89L00	28-26		34-19
	116-13	15192-89L10	28-27		35-19
	117-12	15192-89L20	28-28		37-19
	118-12	15192-89L30	28-29		38-19
	119-13	15192-89L40	28-30		39-19
	120-13	15193-89L00	28-31	17400-99J10	36-19
	121-12	15194-89L00	28-32	17411-94J00	29-1
	122-12	15200-89L00	28-2		30-1
	123-12	15211-91J00-130	57-6		31-1
	13684-89L00	28-1	58-6		32-1
13710-89L00	22-6	59-6		33-1	
	23-6	60-6		34-1	
	24-6	61-6		35-1	
	25-6	62-6		36-1	
13811-89L00	26-6	63-6		37-1	
	16-5	64-6		38-1	
	17-5	65-6		39-1	
	18-5	66-6	17413-94J00	29-2	
	19-5	67-6		30-2	
	20-5	15217-89L00	28-3	31-2	
	21-5	15218-89L00	28-4	32-2	
	22-5	15410-87L00	28-33	33-2	
	23-5	15419-87J00	28-35	34-2	
	24-5	15421-89L01	28-36	35-2	
13820-89L00	25-5	15422-89L00	28-37	37-2	
	26-5	15600-89L00	28-5	38-2	
	19-9	15629-89L00	28-8	39-2	
	20-9	15681-89L00	27-1	36-2	
	21-9	15685-89L00	28-38	29-3	
13820-89L10	16-9	15690-89L00	28-6	30-3	
	17-9	15710-89L00	27-2	31-3	
	18-9	15716-65D10	27-3	32-3	
13831-89L00	16-11	15734-89L00	27-4	33-3	
	17-11	15735-89L00	27-5	34-3	
	18-11	15751-89L00	27-6	35-3	
	19-11	15770-89L00	28-7	36-3	
	20-11	15790-89L00	28-9	37-3	
	21-11	16400-89L00	68-1	38-3	
	22-11	16431-89L00	68-12	39-3	
	23-11	16440-11D00	2-5	29-4	
	24-11	16510-45H10	68-2	30-4	
	25-11	16512-99J00	68-3	31-4	
	26-11	16515-89L00	165-6	32-4	
13832-89L00	22-7	16910-89L00	68-9	33-4	
	23-7	16930-89L00	68-10	34-4	
	24-7	17400-99J00	29-19	35-4	
	25-7		30-19	37-4	
	26-7		31-19	38-4	

PART NO.	FIG.NO.-REF.NO.	PART NO.	FIG.NO.-REF.NO.	PART NO.	FIG.NO.-REF.NO.
	39-4		33-8		39-11
17471-99J10	36-4		34-8	17670-91J00	40-1
	17472-99J00	29-5	35-8	17680-89L00	40-2
30-5		36-8	17685-89L00	40-7	
31-5		37-8	17712-89L00	40-5	
32-5		38-8	17712-89L10	40-4	
33-5		39-8	17913-93J00	166-1	
34-5		29-9	17914-93J00	166-2	
35-5		30-9	17917-87L00	168-22	
36-5		31-9		169-22	
37-5		32-9		170-23	
38-5		33-9		171-22	
17473-94J00	39-5	34-9		172-22	
	29-6	35-9		173-23	
	30-6	36-9		174-22	
	31-6	37-9		175-22	
	32-6	38-9		176-22	
	33-6	39-9		177-23	
	34-6	29-18		178-23	
	35-6	30-18	18100-94J00	41-1	
	36-6	31-18		42-1	
	37-6	32-18		43-1	
	38-6	33-18		44-1	
	39-6	34-18		45-1	
17561-99J00	29-7-1	35-18		46-1	
	30-7-1	36-18		47-1	
	31-7-1	37-18		48-1	
	32-7-1	38-18		49-1	
	33-7-1	39-18		50-1	
	34-7-1	29-10		51-1	
	35-7-1	30-10	18121-94JL0	41-2	
	36-7-1	31-10		42-2	
	37-7-1	32-10		43-2	
	38-7-1	33-10		44-2	
	39-7-1	34-10		45-2	
17561-99J10	29-7-2	35-10		46-2	
	30-7-2	36-10		47-2	
	31-7-2	37-10		48-2	
	32-7-2	38-10		49-2	
	33-7-2	39-10		50-2	
	34-7-2	29-11		51-2	
	35-7-2	30-11	18130-93E01	41-3	
	36-7-2	31-11		42-3	
	37-7-2	32-11		43-3	
	38-7-2	33-11		44-3	
	39-7-2	34-11		45-3	
17563-94J00	29-8	35-11		46-3	
	30-8	36-11		47-3	
	31-8	37-11		48-3	
	32-8	38-11		49-3	

PART NO.	FIG.NO.-REF.NO.	PART NO.	FIG.NO.-REF.NO.	PART NO.	FIG.NO.-REF.NO.
18132-89L00	50-3		45-10		55-5
	51-3		46-10		56-5
	41-5		47-10		233-6
	42-5		48-10		234-6
	43-5		49-10		235-6
18142-93E00	44-5		50-10	19150-89L00	236-6
	45-5		51-10		52-6
	46-5	18498-87JC0	28-10		53-6
	47-5	18498-94J20	40-8		54-6
	48-5	18590-58M00	113-14		55-6
	49-5		114-13		56-6
	50-5		115-13		233-7
	51-5		116-14		234-7
	41-4		117-13		235-7
	42-4		118-13		236-7
18210-93002	43-4		119-14	19185-99J00	52-7
	44-4		120-14		53-7
	45-4		121-13		54-7
	46-4		122-13		55-7
	47-4		123-13		56-7
	48-4	19120-99J10	52-2		233-8
	49-4		53-2		234-8
	50-4		54-2		235-8
	51-4		55-2		236-8
	41-6		56-2		
18280-93E00	42-6		233-3		
	43-6		234-3		
	44-6		235-3	20000	
	45-6		236-3		
	46-6	19122-99J00	52-3		
	47-6		53-3	21110-89L10	70-1
	48-6		54-3		71-1
	49-6		55-3		73-1
	50-6		56-3		77-1
	51-6		233-4		78-1
18290-94J01	41-7		234-4		233-9
	42-7		235-4		234-9
	43-7		236-4		235-9
	44-7	19131-89L00	52-4		236-9
	45-7		53-4	21111-89L00	69-1
	46-7		54-4		72-1
	47-7		55-4		74-1
	48-7		56-4		75-1
	49-7		233-5		76-1
	50-7		234-5		79-1
18290-94J01	51-7		235-5	21120-89L00	69-2
	41-10		236-5		70-2
	42-10	19148-89L10	52-5		71-2
	43-10		53-5		72-2
	44-10		54-5		73-2

PART NO.	FIG.NO.-REF.NO.	PART NO.	FIG.NO.-REF.NO.	PART NO.	FIG.NO.-REF.NO.
21122-89L00	74-2		70-5-1	25215-99J00	80-6
	75-2		71-5-1	25311-99J00	80-3
	76-2		72-5-1	29103-93J00	110-6
	77-2		73-5-1		112-6
	78-2		74-5-1	29141-93J00	29-13
	79-2		75-5-1		30-13
	69-3		76-5-1		31-13
	70-3		77-5-1		32-13
	71-3		78-5-1		33-13
	72-3		79-5-1		34-13
	73-3	23111-89L10	69-5-2		35-13
	74-3		70-5-2		36-13
	75-3		71-5-2		37-13
	76-3		72-5-2		38-13
	77-3		73-5-2		39-13
21131-94J00	78-3		74-5-2		80-7
	79-3		75-5-2		135-12
	190-36		76-5-2		136-12
	191-36		77-5-2		138-12
	192-36		78-5-2		139-12
	193-36		79-5-2		141-12
	194-36	23115-89L00	69-6		142-12
	195-36		72-6	29162-93J10	143-12
	69-4		74-6		135-18
	70-4		75-6		136-18
21210-89L00	71-4		76-6		137-22
	72-4		79-6		138-18
	73-4	23115-89L10	70-6		139-18
	74-4		71-6		140-22
	75-4		73-6		141-18
	76-4		77-6		142-18
	77-4		78-6		143-18
	78-4		233-10		144-22
	79-4		234-10		145-22
	235-10		235-10	29404-93J10	223-15
22511-99011	146-1		236-10		224-15
	147-1		69-7		225-15
	148-1-1	23211-89L00	70-7		226-15
	148-1-2		71-7		227-15
	149-1		72-7	29440-93J00	146-21
	150-1		73-7		147-21
	151-1-1		74-7		148-11
	151-1-2		75-7		149-21
	152-1		76-7		150-21
	153-1		77-7		151-11
23111-89L00	154-1		78-7		152-21
	155-1-1		79-7		153-21
	155-1-2		80-1	23311-95J00	154-21
	156-1-1	23311-95J00	80-2	25111-99J00	155-11
	156-1-2		80-5	25211-99JL0	156-11
	69-5-1				

PART NO.	FIG.NO.-REF.NO.	PART NO.	FIG.NO.-REF.NO.	PART NO.	FIG.NO.-REF.NO.
30000			163-4		211-1
			164-4	32102-89L00	97-4
		31135-90J00	92-3		212-4
		31135-94900	161-7		213-4
31000-89L02	212-1		162-7		214-4
	213-1		163-7		215-4
	214-1	31136-94J00	164-7		216-4
	215-1		161-3		217-4
31100-94J21	216-1		162-3		218-4
	217-1		163-3		219-4
	218-1	31151-94J00	164-3		220-4
	219-1	31152-90J00	92-4		221-4
31100-94J21	220-1	31153-90J00	92-5	32102-89L10	222-4
	221-1	31170-94J00	92-6		93-4
	222-1	31171-96J00	92-17		94-4
	92-1	31173-94J00	92-7		95-4
31101-89L00	212-3		92-8		96-4
	213-3		161-2	32120-89L00	97-1
	214-3		162-2		212-5
	215-3		163-2		213-5
31101-89L00	216-3	31191-96J00	164-2		214-5
	217-3	31192-94J01	92-9		215-5
	218-3		157-11		216-5
	219-3		158-11		217-5
31101-89L00	220-3		159-11		218-5
	221-3	31193-94J00	160-11		219-5
	222-3		157-10		220-5
	212-2		158-10		221-5
31123-89J10	213-2		159-10		222-5
	214-2		160-10	32120-89L10	93-1
	215-2	31220-94J00	92-10		94-1
	216-2	31281-94J01	157-12		95-1
31123-89J10	217-2		158-12		96-1
	218-2		159-12	32800-89L00	98-1
	219-2	31310-90J00	160-12		99-1
	220-2	31311-94J00	92-11		100-1
31123-89J10	221-2		161-9		101-1
	222-2		162-9		102-1
	157-7		163-9		103-1
	158-7	31320-94J00	164-9		104-1
31123-94J01	159-7	31341-94J00	92-12		105-1
	160-7	31343-90J00	92-13		106-1
	161-5	31344-90J00	92-14		107-1
	162-5	31360-93J01	92-15		108-1
31131-94J00	163-5	31392-89L00	92-16		212-6
	164-5	31912-89L00	92-18		213-6
	92-2	31918-94J00	92-19		214-6
	31133-94900	32000-89L00	208-1		215-6
			209-1		216-6
			210-1		217-6

PART NO.	FIG.NO.-REF.NO.	PART NO.	FIG.NO.-REF.NO.	PART NO.	FIG.NO.-REF.NO.
			218-6	32916-89L00	124-11
			219-6		125-7
			220-6		126-7
			221-6		127-11
			222-6		128-7
32800-94J11			208-3		129-11
			209-3		130-11
			210-3		131-11
			211-3		132-7
32801-89L00			208-2		133-7
			209-2		134-11
		33220-89L00	210-2		93-9
			211-2		94-9
32815-89L00			98-2		95-9
			99-2		96-9
			100-2		97-9
			101-2	33410-89L00	98-11
			102-2		99-11
			103-2		100-11
			104-2		101-11
			105-2		102-11
			106-2		103-11
			107-2		104-11
			108-2		105-11
			212-7		106-11
			213-7		107-11
			214-7		108-11
			215-7	33500-07H00	98-9
			216-7		99-9
			217-7		100-9
			218-7		101-9
			219-7		102-9
			220-7		103-9
			221-7		104-9
			222-7		105-9
32815-89L10			208-4		106-9
			209-4		107-9
			210-4		108-9
			211-4	33634-96J00	124-13
			98-4		125-8
32890-89L00			99-4		126-8
			100-4		127-13
			101-4		128-8
			102-4		129-13
			103-4		130-13
			104-4		131-13
			105-4		132-8
			106-4		133-8
			107-4		134-13
			108-4	33799-97E00	161-6
					162-6
					163-6
					164-6
				33800-89L00	212-12
					213-12
					214-12
					215-12
					216-12
					217-12
					218-12
					219-12
					220-12
					221-12
					222-12
					124-1
					125-1
					126-1
					127-1
					128-1
					129-1
					130-1
					131-1
					132-1
					133-1
					134-1
					212-13
					213-13
					214-13
					215-13
					216-13
					217-13
					218-13
					219-13
					220-13
					221-13
					222-13
					190-21
					191-21
					192-21
					193-21
					194-21
					195-21
					101-13-1
					102-13
					103-13
					215-24
					216-24
					217-24
					101-13-2
				33920-89L11	104-13-1
				33920-89L21	

PART NO.	FIG.NO.-REF.NO.	PART NO.	FIG.NO.-REF.NO.	PART NO.	FIG.NO.-REF.NO.
	106-13		224-34-3		224-17
	107-13		225-34-3		225-17
	108-13		226-34-3		226-17
	218-24		227-34-3		227-17
	220-24	34100-93J51	223-34-4	34200-88L02	223-2
	221-24		224-34-4		224-2
	222-24		225-34-4		225-2
33920-89L31	104-13-2		226-34-4		226-2
33920-89L40	98-13-1		227-34-4		227-2
	99-13	34190-87D00	223-41	34200-93J20	223-42-1
	100-13		224-41		224-42-1
	212-24		225-41		225-42-1
	213-24		226-41		226-42-1
	214-24		227-41		227-42-1
33920-89L50	98-13-2	34190-88L00	264-1	34200-93J31	223-42-2
33920-89L60	105-13-1		265-1		224-42-2
	219-24		266-1		225-42-2
33920-89L70	105-13-2		267-1		226-42-2
33925-89L00	98-14		268-1		227-42-2
	99-14	34190-95500	223-39	34211-87L00	223-18
	100-14		224-39		224-18
	101-14		225-39		225-18
	102-14		226-39		226-18
	103-14		227-39		227-18
	104-14	34191-92E00	223-36	34300-93J00	223-45-1
	105-14		224-36		224-45-1
	106-14		225-36		225-45-1
	107-14		226-36		226-45-1
	108-14		227-36		227-45-1
34011-88L02	223-1	34193-88L00	264-2	34300-93J11	223-45-2
	224-1		265-2		224-45-2
	225-1		266-2		225-45-2
	226-1		267-2		226-45-2
	227-1		268-2		227-45-2
34011-89L00	223-7	34193-88L20	264-3	34310-92E00	223-46
	224-7		265-3		224-46
	225-7		266-3		225-46
	226-7		267-3		226-46
	227-7		268-3		227-46
34100-93J20	223-34-1	34193-88L40	264-4	34360-92E00	223-47
	224-34-1		265-4		224-47
	225-34-1		266-4		225-47
	226-34-1		267-4		226-47
	227-34-1		268-4		227-47
34100-93J31	223-34-2	34193-88L60	264-5	34455-88L00	264-6
	224-34-2		265-5		265-6
	225-34-2		266-5		266-6
	226-34-2		267-5		267-6
	227-34-2		268-5		268-6
34100-93J40	223-34-3	34200-87L12	223-17	34455-88L10	264-7

PART NO.	FIG.NO.-REF.NO.	PART NO.	FIG.NO.-REF.NO.	PART NO.	FIG.NO.-REF.NO.
	265-7		114-3		133-2
	266-7		115-3	36615-96300	93-12
	267-7		116-3		94-12
	268-7		117-3		95-12
	268-7		118-3		96-12
34500-93J00	223-28-1		119-3		124-9
	224-28-1		120-3		127-9
	225-28-1		121-3		129-9
	226-28-1		122-3		130-9
	227-28-1		123-3		131-9
34500-93J11	223-28-2		124-3		134-9
	224-28-2	36367-89L00	113-4		223-20
	225-28-2		114-4		223-30
	226-28-2		115-4		223-33
	227-28-2		116-4		223-38
34600-93J00	223-31-1		117-4		223-43
	224-31-1		118-4		223-49
	225-31-1		119-4		224-20
	226-31-1		120-4		224-30
	227-31-1		121-4		224-33
34600-93J11	223-31-2		122-4		224-38
	224-31-2		123-4		224-43
	225-31-2	36610-89L02	124-5-1		224-49
	226-31-2		127-5-1		225-20
	227-31-2		130-5-1		225-30
34800-88L01	223-8		131-5-1		225-33
	224-8		212-19		225-38
	225-8		213-19		225-43
	226-8		214-19		225-49
	227-8		215-19		226-20
34810-88L00	264-8		216-19		226-30
	265-8		217-19		226-33
	266-8		218-19		226-38
	267-8		219-19		226-43
	268-8		220-19		226-49
34922-88L01	223-3		221-19		227-20
	223-9		222-19		227-30
	224-3	36610-89L12	124-5-2		227-33
	224-9		127-5-2		227-38
	225-3		130-5-2		227-43
	225-9		131-5-2		227-49
	226-3	36610-89L21	125-2		113-10
	226-9		128-2		114-9
	227-3		132-2		115-9
	227-9		233-11		116-10
34960-88L00	264-9		234-11		117-9
	265-9		235-11		118-9
	266-9		236-11		119-10
	267-9	36610-89L40	129-5		120-10
	268-9		134-5		121-9
36360-99J10	113-3	36610-89L50	126-2		

PART NO.	FIG.NO.-REF.NO.	PART NO.	FIG.NO.-REF.NO.	PART NO.	FIG.NO.-REF.NO.	
36617-89L01	122-9		129-8	36660-89L00	223-14	
	123-9		130-8	224-14		
	124-14		131-8	225-14		
	125-9		132-5	226-14		
	127-14		133-5	227-14		
36617-89L10	128-9		134-8	36661-87L00	223-19	
	130-14		233-12	224-19		
	131-14		234-12	225-19		
	132-9		235-12	226-19		
	124-12		236-12	227-19		
	127-12		36620-93J02	198-55	36662-88L00	223-10
	129-12			201-55		224-10
	130-12		36620-93J10	125-17-1		225-10
	131-12			126-19-1		226-10
	134-12			128-17-1		227-10
36617-89L20	212-14		132-17-1	36662-88L10	264-10	
	213-14		133-19-1	265-10		
	214-14		125-17-2	266-10		
	215-14		126-19-2	267-10		
	216-14		128-17-2	268-10		
	217-14		132-17-2	264-11		
	218-14		133-19-2	265-11		
	219-14		36620-94J01	197-53		266-11
	220-14			199-53		267-11
	221-14			200-53		268-11
36617-89L30	222-14		245-53	36662-88L30	264-12	
	126-10		246-53	265-12		
	133-10		247-53	266-12		
	126-9		248-53	267-12		
	129-14		254-1	268-12		
36617-89L40	133-9		255-1	36663-88L00	223-4	
	134-14		256-1	223-11		
	126-17		257-1	224-4		
	129-22		258-1	224-11		
	133-17		259-1	225-4		
	134-22		36628-92E00	197-3		225-11
	124-15			198-3		226-4
36617-91J00	125-10		199-3		226-11	
	127-15		200-3	227-4		
	128-10		201-3	227-11		
	129-15		245-3	264-13		
	130-15		246-3	265-13		
	131-15		247-3	266-13		
	132-10		248-3	267-13		
	134-15		36634-93910	208-13		268-13
	124-8			209-13		223-26-1
	36618-43410		125-5		210-13	36663-98J00
126-5		211-13	225-26-1			
127-8		198-2	226-26-1			
128-5		201-2	227-26-1			

PART NO.	FIG.NO.-REF.NO.	PART NO.	FIG.NO.-REF.NO.	PART NO.	FIG.NO.-REF.NO.	
36663-98J10	223-26-2	36666-88L10	264-15	37100-96J00	129-23	
	224-26-2		265-15		133-18	
	225-26-2		266-15		134-23	
	226-26-2		267-15		228-1	
	227-26-2		268-15		229-1	
36664-87L00	223-21	36682-92E00	223-23	37100-96J23	230-1	
	224-21		224-23		231-1	
	225-21		225-23		232-1	
	226-21		226-23		228-13	
	227-21		227-23		229-13	
36664-88L00	264-17	36740-94J00	208-10		37110-93J01	230-13
	265-17		209-10			231-13
	266-17		210-10	232-13		
	267-17		211-10	228-2		
	268-17	36890-93J00	237-16	228-14		
36665-87L00	223-22		238-16	36894-87D00	229-2	
	224-22		239-16		229-14	
	225-22		240-16		230-2	
	226-22		137-9		230-14	
	227-22		137-10		231-2	
36665-88L00	223-5		140-9	37110-93J11	231-14	
	223-12		140-10		232-2	
	224-5		144-9		232-14	
	224-12		144-10		198-4	
	225-5		145-9		201-4	
	225-12		145-10		197-4	
	226-5		36895-87D01		137-11	199-4
	226-12				140-11	200-4
	227-5				144-11	245-4
	227-12				145-11	246-4
36665-88L10	223-6	36990-87D00	208-17	37139-99E00	247-4	
	223-13		209-17		248-4	
	224-6		210-17		228-6	
	224-13		211-17		229-6	
	225-6		245-58		230-6	
	225-13		246-58		231-6	
	226-6		247-58		232-6	
	226-13		248-58		228-18	
	227-6		249-4		229-18	
	227-13		250-4		230-18	
36666-87L00	223-25		251-4	37141-99E00	231-18	
	224-25		252-4		232-18	
	225-25		253-4		197-5-1	
	226-25		254-3		198-5-1	
	227-25		255-3		199-5-1	
	264-14		36990-87D00		256-3	200-5-1
	265-14				257-3	201-5-1
	266-14				258-3	228-3-1
	267-14				259-3	228-15-1
	268-14		36991-91J00		126-18	

PART NO.	FIG.NO.-REF.NO.	PART NO.	FIG.NO.-REF.NO.	PART NO.	FIG.NO.-REF.NO.
	229-15-1		198-5-4		232-3-6
	230-3-1		199-5-4		232-15-6
	230-15-1		200-5-4		245-5-6
	231-3-1		201-5-4		246-5-6
	231-15-1		228-3-4		247-5-6
	232-3-1		228-15-4		248-5-6
	232-15-1		229-3-4	37141-99E60	197-5-7
	245-5-1		229-15-4		198-5-7
	246-5-1		230-3-4		199-5-7
	247-5-1		230-15-4		200-5-7
	248-5-1		231-3-4		201-5-7
37141-99E10	197-5-2		231-15-4		228-3-7
	198-5-2		232-3-4		228-15-7
	199-5-2		232-15-4		229-3-7
	200-5-2		245-5-4		229-15-7
	201-5-2		246-5-4		230-3-7
	228-3-2		247-5-4		230-15-7
	228-15-2		248-5-4		231-3-7
	229-3-2	37141-99E40	197-5-5		231-15-7
	229-15-2		198-5-5		232-3-7
	230-3-2		199-5-5		232-15-7
	230-15-2		200-5-5		245-5-7
	231-3-2		201-5-5		246-5-7
	231-15-2		228-3-5		247-5-7
	232-3-2		228-15-5		248-5-7
	232-15-2		229-3-5	37141-99E70	197-5-8
	245-5-2		229-15-5		198-5-8
	246-5-2		230-3-5		199-5-8
	247-5-2		230-15-5		200-5-8
	248-5-2		231-3-5		201-5-8
37141-99E20	197-5-3		231-15-5		228-3-8
	198-5-3		232-3-5		228-15-8
	199-5-3		232-15-5		229-3-8
	200-5-3		245-5-5		229-15-8
	201-5-3		246-5-5		230-3-8
	228-3-3		247-5-5		230-15-8
	228-15-3		248-5-5		231-3-8
	229-3-3	37141-99E50	197-5-6		231-15-8
	229-15-3		198-5-6		232-3-8
	230-3-3		199-5-6		232-15-8
	230-15-3		200-5-6		245-5-8
	231-3-3		201-5-6		246-5-8
	231-15-3		228-3-6		247-5-8
	232-3-3		228-15-6		248-5-8
	232-15-3		229-3-6	37141-99E80	197-5-9
	245-5-3		229-15-6		198-5-9
	246-5-3		230-3-6		199-5-9
	247-5-3		230-15-6		200-5-9
	248-5-3		231-3-6		201-5-9
37141-99E30	197-5-4		231-15-6		228-3-9

PART NO.	FIG.NO.-REF.NO.	PART NO.	FIG.NO.-REF.NO.	PART NO.	FIG.NO.-REF.NO.
	228-15-9		248-5-11		231-5
	229-3-9	37141-99E80	197-5-12		231-17
	229-15-9		198-5-12		232-5
	230-3-9		199-5-12		232-17
	230-15-9		200-5-12		245-7
	231-3-9		201-5-12	37161-89L00	246-7
	231-15-9		228-3-12		247-7
	232-3-9		228-15-12		248-7
	232-15-9		229-3-12		113-5
	245-5-9		229-15-12		116-5
	246-5-9		230-3-12		118-5
	247-5-9		230-15-12		119-5
	248-5-9		231-3-12		120-5
37141-99E90	197-5-10		231-15-12		123-5
	198-5-10		232-3-12		212-15
	199-5-10		232-15-12		213-15
	200-5-10		245-5-12		214-15
	201-5-10		246-5-12		215-15
	228-3-10		247-5-12		216-15
	228-15-10		248-5-12		217-15
	229-3-10	37143-99E00	197-6		218-15
	229-15-10		198-6		219-15
	230-3-10		199-6		220-15
	230-15-10		200-6		221-15
	231-3-10		201-6		222-15
	231-15-10		228-4	37163-89L00	113-6
	232-3-10		228-16		114-5
	232-15-10		229-4		115-5
	245-5-10		229-16		116-6
	246-5-10		230-4		117-5
	247-5-10		230-16		119-6
	248-5-10		231-4		120-6
37141-99EA0	197-5-11		231-16		121-5
	198-5-11		232-4		122-5
	199-5-11		232-16		233-15
	200-5-11		245-6		234-15
	201-5-11		246-6		235-15
	228-3-11		247-6		236-15
	228-15-11		248-6	37210-93J00	228-11
	229-3-11	37149-93J00	197-7		229-11
	229-15-11		198-7		230-11
	230-3-11		199-7		231-11
	230-15-11		200-7		232-11
	231-3-11		201-7	37212-93J00	228-12
	231-15-11		228-5		229-12
	232-3-11		228-17		230-12
	232-15-11		229-5		231-12
	245-5-11		229-17		232-12
	246-5-11		230-5	37721-89L00	113-7
	247-5-11		230-17		114-6

PART NO.	FIG.NO.-REF.NO.	PART NO.	FIG.NO.-REF.NO.	PART NO.	FIG.NO.-REF.NO.
	115-6		230-9		230-10
	116-7		231-9		231-10
	117-6		232-9		232-10
	118-6	37820-93E10	113-2	37826-92E00	197-11
	119-7		114-2		198-11
	120-7		115-2		199-11
	121-6		116-2		200-11
	122-6		117-2		201-11
	123-6		118-2		228-21
37721-93J91	197-8		119-2		229-21
	198-8		120-2		230-21
	199-8		121-2		231-21
	200-8		122-2		232-21
	201-8		123-2		245-11
	245-8	37820-93J03	197-9		246-11
	246-8		198-9		247-11
	247-8		199-9		248-11
37721-95500	248-8		200-9	37826-97J00	190-34
	241-11		201-9		191-34
	242-11		228-19		192-34
	243-11		229-19		193-34
	244-11		230-19		194-34
37725-89L00	113-11		231-19	37830-89L00	195-34
	114-10		232-19		190-32
	115-10		245-9		191-32
	116-11		246-9		192-32
	117-10		247-9		193-32
	118-10		248-9		194-32
	119-11	37823-92E01	197-10		195-32
	120-11		198-10	37835-95D00	190-35
	121-10		199-10		191-35
	122-10		200-10		192-35
	123-10		201-10		193-35
37726-89L00	113-8		228-20		194-35
	114-7		229-20		195-35
	115-7		230-20	37850-90J05	198-12
	116-8		231-20		201-12
	117-7		232-20	37850-93J10	237-4
	118-7		245-10		238-4
	119-8		246-10		239-4
	120-8		247-10		240-4
	121-7		248-10	37850-94JA2	110-3
	122-7	37823-97J00	190-33		112-3
	123-7		191-33	37850-99E04	109-3
37801-98300	208-11		192-33		111-3
	209-11		193-33	37851-89L00	110-10
	210-11		194-33		112-10
	211-11		195-33	37852-94JA0	110-4
37803-93J03	228-9	37825-99E00	228-10		112-4
	229-9		229-10	37859-90J00	197-52

PART NO.	FIG.NO.-REF.NO.	PART NO.	FIG.NO.-REF.NO.	PART NO.	FIG.NO.-REF.NO.
	198-54		104-15		211-14
	199-52		105-15	39950-87L00	223-24
	200-52		106-15		224-24
	201-54		107-15		225-24
	245-52		108-15		226-24
	246-52		212-20	39950-88L00	227-24
	247-52		213-20		264-16
	248-52		214-20		265-16
38100-89LA0	157-14		215-20		266-16
	158-14		216-20		267-16
	159-14		217-20		268-16
	160-14		218-20		
	161-1		219-20		
	162-1		220-20		
	163-1		221-20		
	164-1		222-20		
38410-93J20	109-1	38915-90J00	92-21		
	110-1		98-16		
	111-1		99-16		
	112-1		100-16		
38415-89L00	109-2		101-16	41111-89L00-0EP	135-1
	110-2		102-16		136-1
	111-2		103-16		138-1
	112-2		104-16		139-1
38500-93J00	197-13		105-16		141-1
	199-13		106-16		142-1
	200-13		107-16		143-1
	245-13		108-16	41111-89LA0-0EP	137-1
	246-13		212-21		140-1
	247-13		213-21		144-1
	248-13		214-21		145-1
38500-93J90	198-13		215-21	41121-89L00-0EP	135-2
	201-13		216-21		136-2
	228-7		217-21		138-2
	228-23		218-21		139-2
	229-7		219-21		141-2
	229-23		220-21		142-2
	230-7		221-21		143-2
	230-23		222-21	41121-89LA0-0EP	137-2
	231-7	39600-89L00	208-9		140-2
	231-23		209-9		144-2
	232-7		210-9		145-2
	232-23		211-9		136-7
38860-76F01	92-20	39601-95D00	208-12	41130-89L00	139-7
	98-15		209-12		143-7
	99-15		210-12		233-16
	100-15		211-12		234-16
	101-15	39602-93900	208-14		235-16
	102-15		209-14		236-16
	103-15		210-14	41130-90L00	135-7

PART NO.	FIG.NO.-REF.NO.	PART NO.	FIG.NO.-REF.NO.	PART NO.	FIG.NO.-REF.NO.
41130-94JA1	138-7	41213-98100	143-4	43111-89LB0-0EP	156-2-2
	141-7		144-5		148-2-1
	142-7		145-5		151-2-1
	137-7		135-5		155-2-1
	140-7		136-5		156-2-1
41135-93J11	144-7	41221-94JA0	137-6	43112-99E00	166-4
	145-7		138-5	43211-87JL0	146-7
	137-8		139-5		147-7
	140-8		140-6		148-7
	144-8		141-5		149-7
41161-94400	145-8	41222-94JA0	142-5		150-7
	202-1		143-5		151-7
	203-1		144-6		152-7
	204-1		145-6		153-7
	205-1		137-14		154-7
41210-89LA0	206-1	41225-89L00	140-14	43411-89L00	155-7
	260-1		144-14		156-7
	261-1		145-14		146-27
	262-1		137-15		149-27
	263-1		140-15		152-27
41210-99JL1	137-28	41226-94JA0	144-15	43411-89LA0	153-27
	140-28		145-15		151-14
	144-28		146-9	43411-939L0	156-14
	145-28		147-9		146-19
	135-25		149-9		147-19
41211-95J00	136-25	43111-89L00-0EP	150-9	43412-93900	148-9
	138-25		152-9		149-19
	139-25		153-9		150-19
	141-25		154-9		151-9
	142-25		137-16		152-19
41211-99JL0	143-25	43111-89L00-0EP	140-16		153-19
	137-4		144-16		154-19
	140-4		145-16		155-9
	144-4		146-2-1		156-9
	145-4		147-2-1		146-20
41212-91J00	135-3	43111-89L10-0EP	149-2-1		147-20
	136-3		150-2-1		148-10
	138-3		152-2-1		149-20
	139-3		153-2-1		150-20
	141-3		154-2-1		151-10
41212-91J00	142-3	43111-89LA0-0EP	146-2-2		152-20
	143-3		147-2-2		153-20
	135-4		149-2-2		154-20
	136-4		150-2-2		155-10
	137-5		152-2-2		156-10
41212-91J00	138-4	43111-89LA0-0EP	153-2-2	43415-89L00	146-28
	139-4		154-2-2		149-28
	140-5		148-2-2		151-15
	141-4		151-2-2		152-28
	142-4		155-2-2		153-28

PART NO.	FIG.NO.-REF.NO.	PART NO.	FIG.NO.-REF.NO.	PART NO.	FIG.NO.-REF.NO.
43420-89L00	156-15	45241-89L00	148-4-1	43750-99J50-0EP	153-11
	146-29		149-4-1		154-11
	149-29		150-4-1		146-12
	151-16		151-4-1		147-12
	152-29		152-4-1		149-12
43425-89L00	153-29	45247-99J00	153-4-1	43755-99J00	150-12
	156-16		154-4-1		152-12
	146-30		155-4-1		153-12
	149-30		156-4-1		154-12
	151-17		146-4-2		146-14
43512-89L00	152-30	45250-89L02	147-4-2	43759-89L00	147-14
	153-30		148-4-2		149-14
	156-17		149-4-2		150-14
	146-31		150-4-2		152-14
	149-31		151-4-2		153-14
43515-88L00	151-18	45261-89L00	152-4-2	43759-89L00	154-14
	152-31		153-4-2		146-15
	153-31		154-4-2		147-15
	156-18		155-4-2		149-15
	146-32		156-4-2		150-15
43516-89J00	149-32	45269-89L00	147-27	45212-89L00	152-15
	151-19		148-14		153-15
	152-32		150-27		154-15
	153-32		154-27		135-13
	156-19		155-14		136-13
43517-89L00	146-33	45420-89L00	233-17	45231-89L00	138-13
	149-33		234-17		139-13
	151-20		235-17		141-13
	152-33		236-17		142-13
	153-33		147-31		143-13
43711-94JA0	156-20	45421-94JA0	148-18	45425-94J00	135-23
	146-34		150-31		136-23
	149-34		154-31		138-23
	151-21		155-18		139-23
	152-34		233-18		141-23
43711-99J00	153-34	45421-94JA0	234-18	45425-94J00	142-23
	156-21		235-18		143-23
	148-3		236-18		135-19
	151-3		146-10		136-19
	155-3		147-10		138-19
43750-99J40-0EP	156-3	45421-94JA0	149-10	45425-94J00	139-19
	146-3		150-10		141-19
	147-3		152-10		142-19
	149-3		153-10		143-19
	150-3		154-10		137-17
43750-99J40-0EP	152-3	45421-94JA0	146-11	45425-94J00	140-17
	153-3		147-11		144-17
	154-3		149-11		145-17
	146-4-1		150-11		135-20
	147-4-1		152-11		136-20



PART NO.	FIG.NO.-REF.NO.	PART NO.	FIG.NO.-REF.NO.	PART NO.	FIG.NO.-REF.NO.
	138-20		160-13		177-17
	139-20	48583-95E00	157-6		178-17
	141-20		158-6	54145-89L00	168-18
	142-20		159-6		169-18
	143-20		160-6		170-18
45710-89L00	146-24	48664-87D00	157-9		171-18
	147-24		157-15		172-18
	149-24		158-9		173-18
	150-24		158-15		174-18
	152-24		159-9		175-18
	153-24		159-15		176-18
	154-24		160-9		177-18
45722-94J11	146-25		160-15		178-18
	147-25	48681-87J11	157-3	54151-99J00	166-10
	149-25		158-3	54167-99J01	166-11
	150-25		159-3	54211-99J01-OEP	166-12
	152-25		160-3	54213-93901	166-14
	153-25	48864-89LA0	157-2	54221-99J01-OEP	166-13
	154-25		158-2	55100-99J40-OEP	167-1
48000-89LA0	157-1		159-2	55321-87J00	1-7
	158-1		160-2		137-20-1
	159-1				140-20-1
	160-1				144-20-1
48121-94JA0	157-16				145-20-1
	158-16				148-20-1
	159-16				151-25-1
	160-16				155-20-1
48321-97E01	157-17	50000			156-25-1
	158-17				157-19-1
	159-17				158-19-1
	160-17	51110-89L01	165-1		159-19-1
48325-97E00	157-18	51211-89L00	165-2		160-19-1
	158-18	52110-89L00-OEP	166-3-1		167-6
	159-18	52110-89L10-OEP	166-3-2	55321-87J10	137-20-2
	160-18	52113-89L00	166-5		140-20-2
48510-94600	157-5	54112-99J01	165-7		144-20-2
	158-5	54113-99JL0	165-8		145-20-2
	159-5	54125-99J00	165-10		148-20-2
	160-5	54127-89L00	165-9		151-25-2
48553-88L00	157-4	54130-89L00	165-11		155-20-2
	158-4	54137-89L00	165-12		156-25-2
	159-4	54144-89L10	168-17		157-19-2
	160-4		169-17		158-19-2
48572-94J00	157-8		170-17		159-19-2
	158-8		171-17		160-19-2
	159-8		172-17		167-23
	160-8		173-17	55331-99J10	167-21
48582-97E00	157-13		174-17	55332-99J10	167-22
	158-13		175-17	56120-99J40-OEP	167-10
	159-13		176-17	56130-99J30	81-21

PART NO.	FIG.NO.-REF.NO.	PART NO.	FIG.NO.-REF.NO.	PART NO.	FIG.NO.-REF.NO.
	82-21		88-8		83-19
	83-21		89-8		84-19
	84-21		90-8		85-19
	85-21		91-8		86-19
	86-21	57510-99J10	81-9		87-19
	87-21		82-9		88-19
	88-21		83-9		89-19
	89-21		84-9		90-19
	90-21		85-9		91-19
	91-21		86-9	57632-94J00	167-17
56132-99J10	81-23		87-9	57632-98501	81-20
	82-23		88-9		82-20
	83-23		89-9		83-20
	84-23		90-9		84-20
	85-23		91-9		85-20
	86-23	57521-99J10	81-10		86-20
	87-23		82-10		87-20
	88-23		83-10		88-20
	89-23		84-10		89-20
	90-23		85-10		90-20
	91-23		86-10		91-20
57100-90L30	81-1-2		87-10	58100-89L00-019	167-15-1
	82-1-2		88-10	58100-89L20-019	167-15-2
	83-1-2		89-10	58100-89L30-019	167-15-3
	84-1-2		90-10	58100-89L40-019	167-15-4
	85-1-2		91-10	58100-89L50-019	167-15-5
	86-1-2	57610-99JL0	81-14	58100-90L40-019	167-15-6
	87-1-2		82-14	58100-90L50-019	167-15-7
	88-1-2		83-14	58100-90L60-019	167-15-8
	89-1-2		84-14	58120-89L00	167-16
	90-1-2		85-14	59178-97J00	167-8
57100-90L40	91-1-2		86-14	59262-94J00	68-13
	81-1-1		87-14	59441-94J00	81-17
	82-1-1		88-14		82-17
	83-1-1		89-14		83-17
	84-1-1		90-14		84-17
	85-1-1		91-14		85-17
	86-1-1	57621-99J11	81-15		86-17
	87-1-1		82-15		87-17
	88-1-1		83-15		88-17
	89-1-1		84-15		89-17
	90-1-1		85-15		90-17
	91-1-1		86-15		91-17
57311-99J10	81-8		87-15	59441-99J00	81-18
	82-8		88-15		82-18
	83-8		89-15		83-18
	84-8		90-15		84-18
	85-8		91-15		85-18
	86-8	57631-93901	81-19		86-18
	87-8		82-19		87-18

PART NO.	FIG.NO.-REF.NO.	PART NO.	FIG.NO.-REF.NO.	PART NO.	FIG.NO.-REF.NO.			
59800-89L00	88-18	61151-91J11	172-5	61435-89L00	188-2			
	89-18		173-5		189-2			
	90-18		174-5		185-8			
	91-18		175-5		186-8			
	179-12		176-5		187-8			
	180-12		177-5		188-8			
	181-12		178-5		189-8			
	182-12		28-43		182-8			
	183-12		168-14		183-8			
	184-12		169-14		184-8			
60000	185-12	61400-89L00-0EP	170-14	61443-99J10	179-8			
	186-12		171-14		180-8			
	187-12		172-14		181-8			
	188-12		173-14		179-5			
	189-12		174-14		180-5			
	61112-89L00		175-14		61446-89L00	181-5	61447-94J00	181-5
			168-4			176-14		182-5
			169-4			177-14		183-5
			170-4			178-14		184-5
			171-4			179-1		185-5
172-4		180-1	186-5					
173-4		181-1	187-5					
174-4		182-1	188-5					
175-4		183-1	189-5					
176-4		184-1	179-9					
61124-89L20	177-4	61412-89L00	185-1	61453-99J00	180-9			
	178-4		186-1		181-9			
	169-13		187-1		182-9			
	172-13		188-1		183-9			
	176-13		189-1		184-9			
	233-21		168-9		185-9			
	234-21		169-9		186-9			
	235-21		170-9		187-9			
	236-21		171-9		188-9			
	170-13		172-9		189-9			
61124-89L30	177-13	61433-89L00	173-9	61493-94J00	181-14			
	168-13		174-9		184-14			
	171-13		175-9		188-14			
	173-13		176-9		189-14			
	174-13		177-9		179-6			
	175-13		178-9		180-6			
	178-13		179-2		181-6			
	168-5		180-2		182-6			
	169-5		181-2		183-6			
	170-5		182-2		184-6			
61134-89L00	171-5		183-2		185-6			
			184-2		186-6			
			185-2		187-6			
			186-2		188-6			
			187-2		189-6			

PART NO.	FIG.NO.-REF.NO.	PART NO.	FIG.NO.-REF.NO.	PART NO.	FIG.NO.-REF.NO.
61458-89L00	179-10	61610-90L00	47-16	61471-89L00	169-2
	180-10		48-16		171-2
	181-10		49-16		172-2
	182-10		50-16		173-2
	183-10		51-16		174-2
	184-10		168-10		175-2
	185-10		169-10		176-2
	186-10		170-10		178-2
	187-10		171-10		170-2
	188-10		172-10		177-2
61471-89L00	189-10	61616-93E10	173-10	61827-89L00	168-15
	179-11		174-10		169-15
	180-11		175-10		170-15
	181-11		176-10		171-15
	182-11		177-10		172-15
	183-11		178-10		173-15
	184-11		168-11		174-15
	185-11		169-11		175-15
	186-11		170-11		176-15
	187-11		171-11		177-15
61472-94J00	188-11	61622-90L00	172-11	61831-89L00-0EP	178-15
	189-11		173-11		168-6
	48-13		174-11		169-6
	41-13		175-11		170-6
	42-13		176-11		171-6
	43-13		177-11		172-6
	44-13		178-11		173-6
	45-13		179-4		174-6
	46-13		180-4		175-6
	47-13		181-4		176-6
61493-94J00	49-13	61810-89L00-RB4	182-4	63111-89L00-0EP	177-6
	50-13		183-4		178-6
	51-13		184-4		190-1
	41-15		185-4		191-1
	42-15		186-4		192-1
	43-15		187-4		193-1
	44-15		188-4		194-1
	45-15		189-4		195-1
	46-15		168-1		190-22
	47-15		169-1		191-22
61494-94J00	48-15	61810-89L10-RB4	171-1	63114-99J01	192-22
	49-15		172-1		193-22
	50-15		174-1		194-22
	51-15		175-1		195-22
	41-16		176-1		190-3
	42-16		170-1		191-3
	43-16		173-1		192-3
	44-16		177-1		193-3
	45-16		178-1		194-3
	46-16		168-2		195-3

PART NO.	FIG.NO.-REF.NO.	PART NO.	FIG.NO.-REF.NO.	PART NO.	FIG.NO.-REF.NO.
63115-99J10	190-2	63225-93200	192-7	65561-95D00	196-3
	191-2		193-7	207-3	
	192-2		194-7	65700-87J15	207-8
	193-2		195-7	65700-89L10	196-8
	194-2		190-9	65720-986L0	196-13
63116-99J00	195-2	63225-94J00	191-9	65740-95D01	196-7
	190-4		192-9	207-4	
	191-4		193-9	65750-87J11	196-9
	192-4		194-9	207-9	
	193-4		195-9	65750-95500	196-10
63121-99J00-0EP	194-4	63225-94J00	190-8	207-10	
	195-4		191-8	65770-89L00	196-11
	190-5		192-8	65770-90J11	207-11
	191-5		193-8	65781-98500	207-12
	192-5		194-8	65781-99JM0	196-12
63122-99J00	193-5	63240-94J10	195-8	65793-89L00	190-26
	194-5		190-10	191-26	
	195-5		191-10	192-26	
	190-23		192-10	193-26	
	191-23		193-10	194-26	
63131-99J10-0EP	192-23	63241-986B0	194-10	195-26	
	193-23		195-10	65831-95D00	196-4
	194-23		190-11	207-5	
	195-23		191-11	65890-95D00	207-6
	190-24		192-11	65890-99100	196-5
63133-89L00	191-24	63244-94J00	193-11	65892-95D00	196-6
	192-24		194-11	207-7	
	193-24		195-11	67130-89L01	233-1
	194-24		190-12	234-1	
	195-24		191-12	235-1	
63210-89L10	190-25	63610-89L00	192-12	236-1	
	191-25		193-12	245-55	
	192-25		194-12	246-55	
	193-25		195-12	247-55	
	194-25		190-14	248-55	
63215-93110	195-25	63610-89L10	191-14	249-1	
	190-6		192-14	250-1	
	191-6		193-14	251-1	
	192-6		194-14	252-1	
	193-6		195-14	253-1	
63220-89L00	194-6	65000-89L10	190-15	67200-93J06	198-1
	195-6		191-15	201-1	
	190-31		192-15	67200-93J13	237-1
	191-31		193-15	238-1	
	192-31		194-15	239-1	
63220-89L00	193-31	65000-95D01	195-15	240-1	
	194-31		196-1	241-1	
	195-31		207-1	242-1	
	190-7		207-2	243-1	
	191-7		65520-99100	196-2	244-1

PART NO.	FIG.NO.-REF.NO.	PART NO.	FIG.NO.-REF.NO.	PART NO.	FIG.NO.-REF.NO.
67200-94J15	197-1	67223-99E10	197-19	201-21	
	199-1		198-19	241-42	
	200-1		199-19	242-42	
	245-1		200-19	243-42	
	246-1		201-19	244-42	
67211-93J00	247-1	67224-92E00	245-19	245-21	
	248-1		246-19	246-21	
	237-27		247-19	247-21	
	238-27		248-19	248-21	
	239-27		241-9	67232-95620	241-28
67212-95600	240-27	67226-92E00	242-9	242-28	
	197-14		243-9	243-28	
	198-14		244-9	244-28	
	199-14		241-15	67233-92E00	241-26
	200-14		242-15	242-26	
67213-92E00	201-14	67226-92E10	243-15	243-26	
	245-14		244-15	244-26	
	246-14		241-16	67234-92E00	241-22
	247-14		242-16	242-22	
	248-14		243-16	243-22	
67227-92E00	197-15	67228-92E00	244-16	244-22	
	198-15		241-24	67235-92E00	241-27
	199-15		242-24	242-27	
	200-15		243-24	243-27	
	201-15		244-24	244-27	
67229-95600	245-15	67229-95600	241-18	67236-92E00	241-32
	246-15		242-18	242-32	
	247-15		243-18	243-32	
	248-15		244-18	244-32	
	197-18		197-20	67237-92E01	241-33
67221-92E00	198-18	67230-92E00	198-20	242-33	
	199-18		199-20	243-33	
	200-18		200-20	244-33	
	201-18		201-20	197-22	
	245-18		245-20	198-22	
67222-92E00	246-18	67231-92E00	246-20	199-22	
	247-18		247-20	200-22	
	248-18		248-20	201-22	
	241-8		241-20	245-22	
	242-8		242-20	246-22	
67223-92E00	243-8	67232-95600	243-20	247-22	
	244-8		244-20	248-22	
	241-2		241-41	67238-92E00	241-34
	242-2		242-41	242-34	
	243-2		243-41	243-34	
67223-92E00	244-2	67232-95600	244-41	244-34	
	241-3		197-21	67239-92E00	241-35
	242-3		198-21	242-35	
	243-3		199-21	243-35	
	244-3		200-21	244-35	

PART NO.	FIG.NO.-REF.NO.	PART NO.	FIG.NO.-REF.NO.	PART NO.	FIG.NO.-REF.NO.
67239-92E10	241-45	67240-92E00	200-26	67255-99E00	242-40
	242-45		201-26		243-40
	243-45		245-26		244-40
	244-45		246-26		245-29
67240-92E00	241-17	67246-92E00	247-26	67255-99E00	246-29
	242-17		248-26		247-29
	243-17		241-36		248-29
	244-17		242-36		197-30
67241-92E10	241-43	67251-93J00	243-36	67255-99E00	198-30
	242-43		244-36		199-30
	243-43		237-12		200-30
	244-43		238-12		201-30
67241-99E10	197-23	67251-99E10	239-12	67256-95600	245-30
	198-23		240-12		246-30
	199-23		197-27		247-30
	200-23		198-27		248-30
67243-92E00	201-23	67252-92E10	199-27	67257-92E00	197-31
	245-23		200-27		198-31
	246-23		201-27		199-31
	247-23		245-27		200-31
67243-95600	248-23	67252-95600	246-27	67257-99E00	201-31
	241-44		247-27		245-31
	242-44		248-27		246-31
	243-44		241-39		247-31
67243-95600	244-44	67252-95600	242-39	67257-99E00	248-31
	197-24		243-39		237-11
	198-24		244-39		238-11
	199-24		197-28		239-11
67244-95600	200-24	67253-92E00	198-28	67258-99E00	240-11
	201-24		199-28		197-32
	245-24		200-28		198-32
	246-24		201-28		199-32
67244-95600	247-24	67253-92E00	245-28	67258-99E00	200-32
	248-24		246-28		201-32
	197-25		247-28		245-32
	198-25		248-28		246-32
67245-92E00	199-25	67253-92E10	237-15	67258-99E00	247-32
	200-25		238-15		248-32
	201-25		239-15		197-33
	245-25		240-15		198-33
67245-92E00	246-25	67253-95600	241-38	67259-87D00	199-33
	247-25		242-38		200-33
	248-25		243-38		201-33
	241-23		244-38		245-33
67245-95600	242-23	67253-95600	197-29	67259-87D00	246-33
	243-23		198-29		247-33
	244-23		199-29		248-33
	197-26		200-29		197-34
67245-95600	198-26	67253-95600	201-29	67259-87D00	198-34
	199-26		241-40		199-34

PART NO.	FIG.NO.-REF.NO.	PART NO.	FIG.NO.-REF.NO.	PART NO.	FIG.NO.-REF.NO.
67273-95600	200-34	67273-95600	238-23	67261-93J00	241-4
	201-34		239-23		242-4
	245-34		240-23		243-4
	246-34		197-39		244-4
67261-93J00	247-34	67261-93J00	198-39	67261-93J00	245-41
	248-34		199-39		246-41
	237-2		200-39		247-41
	238-2		201-39		248-41
67261-99E00	239-2	67261-99E00	237-22	67261-99E00	241-6
	240-2		238-22		242-6
	197-35		239-22		243-6
	198-35		240-22		244-6
67261-99E00	199-35	67261-99E00	245-39	67261-99E00	237-7
	200-35		246-39		238-7
	201-35		247-39		239-7
	245-35		248-39		240-7
67274-92E00	246-35	67274-92E00	237-24	67274-92E00	237-14
	247-35		238-24		238-14
	248-35		239-24		239-14
	237-3		240-24		240-14
67263-93J00	238-3	67263-93J00	197-40	67263-93J00	237-10
	239-3		198-40		238-10
	240-3		199-40		239-10
	197-37		200-40		240-10
67264-95600	198-37	67264-95600	201-40	67264-95600	241-7
	199-37		237-21		242-7
	200-37		238-21		243-7
	201-37		239-21		244-7
67267-93J00	245-37	67267-93J00	240-21	67267-93J00	241-37
	246-37		245-40		242-37
	247-37		246-40		243-37
	248-37		247-40		244-37
67281-93J00	197-38	67281-93J00	248-40	67281-93J00	197-42
	198-38		237-17		198-42
	199-38		238-17		199-42
	200-38		239-17		200-42
67286-92E00	201-38	67286-92E00	240-17	67286-92E00	201-42
	245-38		241-19		241-5
	246-38		242-19		242-5
	247-38		243-19		243-5
67269-92E00	248-38	67269-92E00	244-19	67269-92E00	244-5
	241-29		237-20		245-42
	242-29		238-20		246-42
	243-29		239-20		247-42
67271-92E00	244-29	67271-92E00	240-20	67271-92E00	248-42
	237-26		197-41		241-10
	238-26		198-41		242-10
	239-26		199-41		243-10
67273-92E00	240-26	67273-92E00	200-41	67273-92E00	244-10
	237-23		201-41		197-43

PART NO.	FIG.NO.-REF.NO.	PART NO.	FIG.NO.-REF.NO.	PART NO.	FIG.NO.-REF.NO.
	198-43		201-17		200-46
	199-43		241-12		201-46
	200-43		242-12		245-46
	201-43		243-12		246-46
	245-43		244-12		247-46
	245-56		245-17		248-46
	246-43		246-17	67296-95610	197-47
	246-56		247-17		198-47
	247-43		248-17		199-47
	247-56	67296-92E20	241-14		200-47
	248-43		242-14		201-47
	248-56		243-14		237-25
	249-2		244-14		238-25
	250-2	67296-92E30	237-18		239-25
	251-2		238-18		240-25
	252-2		239-18		245-47
67295-92E00	253-2		240-18		246-47
	237-8	67296-92E60	237-13		247-47
	238-8		238-13		248-47
	239-8		239-13	67296-95620	245-57
	240-8		240-13		246-57
67295-92E10	237-5	67296-92E70	237-9		247-57
	238-5		237-28		248-57
	239-5		238-9		249-3
	240-5		238-28		250-3
67296-88D10	237-6		239-9		251-3
	238-6		239-28		252-3
	239-6		240-9		253-3
	240-6		240-28	67297-95600	197-48
	241-13	67296-94300	197-45		198-48
	241-30		198-45		199-48
	242-13		199-45		200-48
	242-30		200-45		201-48
	243-13		201-45		245-48
	243-30		245-45		246-48
	244-13		246-45		247-48
	244-30		247-45		248-48
67296-90J00	197-44		248-45	67320-93J00	245-59-1
	198-44	67296-94310	197-36		246-59-1
	199-44		198-36		247-59-1
	200-44		199-36		248-59-1
	201-44		200-36		249-5-1
	245-44		201-36		250-5-1
	246-44		245-36		251-5-1
	247-44		246-36		252-5-1
	248-44		247-36		253-5-1
67296-92E11	197-17		248-36	67320-93J10	245-59-2
	198-17	67296-95600	197-46		246-59-2
	199-17		198-46		247-59-2
	200-17		199-46		248-59-2

PART NO.	FIG.NO.-REF.NO.	PART NO.	FIG.NO.-REF.NO.	PART NO.	FIG.NO.-REF.NO.
	249-5-2	67320-93J70	245-59-8		260-2
	250-5-2		246-59-8		261-2
	251-5-2		247-59-8		262-2
	252-5-2		248-59-8		263-2
	253-5-2		249-5-8	67721-89J00	202-3
67320-93J20	245-59-3		250-5-8		203-3
	246-59-3		251-5-8		204-3
	247-59-3		252-5-8		205-3
	248-59-3		253-5-8		206-3
	249-5-3	67320-93J80	245-59-9		260-3
	250-5-3		246-59-9		261-3
	251-5-3		247-59-9		262-3
	252-5-3		248-59-9		263-3
	253-5-3		249-5-9	67725-99J00	202-4
67320-93J30	245-59-4		250-5-9		203-4
	246-59-4		251-5-9		204-4
	247-59-4		252-5-9		205-4
	248-59-4		253-5-9		206-4
	249-5-4	67340-89L00	70-21		260-4
	250-5-4		71-21		261-4
	251-5-4		73-21		262-4
	252-5-4		77-21		263-4
	253-5-4		78-21		202-5
67320-93J40	245-59-5		233-22		203-5
	246-59-5		234-22		204-5
	247-59-5		235-22		205-5
	248-59-5		236-22		206-5
	249-5-5	67467-89J01	52-11		260-5
	250-5-5		53-11		261-5
	251-5-5		54-11		262-5
	252-5-5		55-11		263-5
67320-93J50	253-5-5		56-11	67728-99E00	202-6
	245-59-6		70-18		203-6
	246-59-6		71-18		204-6
	247-59-6		73-18		205-6
	248-59-6		77-18		206-6
	249-5-6		78-18		260-6
	250-5-6		233-23		261-6
	251-5-6		234-23		262-6
	252-5-6		235-23		263-6
	253-5-6		236-23	68110-89L00	179-14
67320-93J60	245-59-7	67500-93J00	237-29		180-14
	246-59-7		238-29		181-15
	247-59-7		239-29		182-14
	248-59-7		240-29		183-14
	249-5-7	67701-99J01	202-2		184-15
	250-5-7		203-2		185-14
	251-5-7		204-2		186-14
	252-5-7		205-2		187-14
	253-5-7		206-2		188-15

PART NO.	FIG.NO.-REF.NO.	PART NO.	FIG.NO.-REF.NO.	PART NO.	FIG.NO.-REF.NO.	
68111-89L00	189-15	99000-81158-50M	41-8		221-17	
	179-7		42-8		222-17	
	180-7		43-8		233-33	
	181-7		44-8		234-33	
	182-7		45-8		235-33	
	183-7		46-8		236-33	
	184-7		47-8		01547-0625A	97-2
	185-7		48-8		212-10	213-10
	186-7		49-8		213-10	214-10
	187-7		50-8		214-10	215-10
68165-16B00-13L	188-7	99011-89L10-055	51-8		216-10	
	189-7		179-13		217-10	
	197-12		180-13		218-10	
	198-49		181-13		219-10	
	199-12		182-13		220-10	
	200-12		183-13		221-10	
	201-49		184-13		222-10	
	245-12		185-13		01547-0630A	93-2
	246-12		186-13		94-2	95-2
	247-12		187-13		96-2	93-3
69711-93E10	248-12		188-13		94-3	
	41-12		189-13		94-3	
	42-12				95-3	
	43-12				96-3	
	44-12				97-3	
	45-12				52-9	
	46-12				53-9	
	47-12		00000		54-9	
	48-12				55-9	
	49-12				56-9	
69911-91J00 69911-91J40	50-12	01547-06167	70-22		57-8	
	51-12		71-22		60-8	
	142-24		73-22		62-8	
	135-24		77-22		63-8	
	136-24		78-22		64-8	
	137-27		124-4		67-8	
	138-24		127-4		68-8	
	139-24		129-4		69-17	
	140-27		130-4		70-9	
	141-24		131-4		70-15	
90000	143-24		134-4		71-9	
	144-27		212-17		71-15	
	145-27		213-17		72-17	
			214-17		73-9	
			215-17		73-15	
			216-17		74-17	
			217-17		75-17	
			218-17		76-17	
			219-17			
			220-17			

PART NO.	FIG.NO.-REF.NO.	PART NO.	FIG.NO.-REF.NO.	PART NO.	FIG.NO.-REF.NO.
	77-9				106-8
	77-15		107-8		
	78-9		108-8		
	78-15		113-9		
	79-17		114-8		
	124-20		115-8		
	124-21		116-9		
	125-15		117-8		
	125-16		118-8		
	126-15		119-9		
	126-16				120-9
	127-20		121-8		
	127-21		122-8		
	128-15		123-8		
	128-16		128-8		
	129-20		129-8		
	129-21		214-8		
	130-20		215-8		
	130-21		216-8		
	131-20		217-8		
	131-21				218-8
	132-15		219-8		
	132-16		220-8		
	133-15		221-8		
	133-16		222-8		
	134-20		233-35		
	134-21		234-35		
	233-34		235-35		
	234-34		236-35		
	235-34		01550-06207		1-15
01550-06167	236-34				28-21
	28-20		40-3		
	52-10		41-11		
	53-10		42-11		
	54-10		43-11		
	55-10		44-11		
	56-10		45-11		
	93-10		46-11		
	94-10		47-11		
	95-10		48-11		
	96-10				49-11
	97-10		50-11		
	98-8		51-11		
	99-8		57-9		
	100-8		58-7		
	101-8		59-7		
	102-8		60-9		
	103-8		61-7		
	104-8		62-9		
	105-8		63-9		
					01550-06257
			4-13		
			28-11		
			28-22		
			69-18		
			70-16		
			71-16		
			72-18		
			73-16		

PART NO.	FIG.NO.-REF.NO.	PART NO.	FIG.NO.-REF.NO.	PART NO.	FIG.NO.-REF.NO.
	74-18	01560-08307	165-15		182-3
	75-18	01560-08757	2-3		183-3
	76-18	02122-04127	4-15		184-3
	77-16	02122-0630A	68-14		185-3
	78-16	02142-06167	168-16		186-3
01550-06307	79-18		169-16		187-3
	41-9		170-16		188-3
	42-9		171-16		189-3
	43-9		172-16	03542-06209	28-23
	44-9		173-16	04211-09149	4-12
	45-9		174-16	04211-11129	1-12
	46-9		175-16		2-4
	47-9		176-16	04221-05109	16-4
	48-9		177-16		17-4
	49-9		178-16		18-4
	50-9	02142-06207	69-19		19-4
	51-9		70-17		20-4
	98-12		71-17		21-4
	99-12		72-19		22-4
	100-12		73-17		23-4
	101-12		74-19		24-4
	102-12		75-19		25-4
	103-12		76-19		26-4
	104-12		77-17	08110-60020	81-2
	105-12		78-17		82-2
	106-12		79-19		83-2
01550-06357	107-12	03112-06303	223-40		84-2
	108-12		224-40		85-2
	2-2		225-40		86-2
	4-14		226-40		87-2
01550-06507	27-9		227-40		88-2
01550-08207	1-9	03121-0516A	228-22		89-2
	2-7		229-22		90-2
	92-22		230-22		91-2
	208-5		231-22	08110-60050	167-11
	209-5		232-22	08316-10087	92-24
	210-5	03142-04169	29-12	08322-0106A	93-11
	211-5		30-12		94-11
01550-08307	92-23		31-12		95-11
01550-08407	16-3		32-12		96-11
	17-3		33-12	08341-31039	4-9
	18-3		34-12		4-10
	19-3		35-12		93-7
	20-3		36-12		94-7
	21-3		37-12		95-7
	22-3		38-12		96-7
	23-3		39-12		97-7
	24-3	03542-05169	179-3	09100-06178	135-9
	25-3		180-3		136-9
	26-3		181-3		138-9

PART NO.	FIG.NO.-REF.NO.	PART NO.	FIG.NO.-REF.NO.	PART NO.	FIG.NO.-REF.NO.
	139-9		167-7		28-12
	141-9	09108-06141	29-14		109-4
	142-9		30-14		110-8
	143-9		31-14		111-4
09100-08232	146-23		32-14		112-8
	147-23		33-14	09116-06225	146-35
	148-13		34-14		147-32
	149-23		35-14		148-19
	150-23		36-14		149-35
	151-13		37-14		150-32
	152-23		38-14		151-22
	153-23		39-14		152-35
	154-23	09108-08286	147-29		153-35
	155-13		148-16		154-32
	156-13		150-29		155-19
	197-2		154-29		156-22
	198-50		155-16		190-27
	199-2		233-24		191-27
	200-2		234-24		192-27
	201-50		235-24		193-27
	245-2		236-24		194-27
	246-2	09111-10067	146-26		195-27
	247-2		147-26		233-25
	248-2		149-26		234-25
09100-08311	135-15		150-26		235-25
	136-15		152-26		236-25
	137-24		153-26	09116-06227	167-14
	138-15		154-26	09116-06229	81-24
	139-15	09116-06196	98-3		82-24
	140-24		99-3		83-24
	141-15		100-3		84-24
	142-15		101-3		85-24
	143-15		102-3		86-24
	144-24		103-3		87-24
	145-24		104-3		88-24
09103-06237	196-14		105-3		89-24
09103-06267	4-7		106-3		90-24
09103-06281	1-8		107-3		91-24
	137-21		108-3	09116-06234	69-9
	140-21		16-7		72-9
	144-21	09116-06202	17-7		74-9
	145-21		18-7		75-9
	148-21		19-7		76-9
	151-26		20-7		79-9
	155-21		21-7	09116-08128	137-18
	156-26		22-9		140-18
	157-20		23-9		144-18
	158-20		24-9		145-18
	159-20		25-9	09116-08137	165-13
	160-20		26-9	09116-08150	157-21

PART NO.	FIG.NO.-REF.NO.	PART NO.	FIG.NO.-REF.NO.	PART NO.	FIG.NO.-REF.NO.
09116-08151	158-21	09126-05003	197-49	09140-05005	178-3
	159-21		198-51		110-7
	160-21		199-49		112-7
	165-3		200-49		237-32
	166-6		201-51		238-32
09116-08154 09116-08155	167-5	09126-06006	245-49	09140-06020	239-32
	190-16		246-49		240-32
	191-16		247-49		197-50
	192-16		248-49		198-52
	193-16		241-25		199-50
	194-16		242-25		200-50
	195-16		243-25		201-52
	166-15		244-25		241-31
	190-28		190-17		242-31
	191-28		191-17		243-31
09119-08L01 09119-08L02 09125-05042	192-28	09126-06015	192-17	09136-05041	244-31
	193-28		193-17		245-50
	194-28		194-17		246-50
	195-28		195-17		247-50
	1-4		161-8		248-50
	1-3		162-8		135-16
	190-29		163-8		136-16
	191-29		164-8		137-25
	192-29		190-18		138-16
	193-29		191-18		139-16
09125-05046 09125-05135	194-29	09136-06168	192-18	09140-10031 09140-14008	140-25
	195-29		193-18		141-16
	197-16		194-18		142-16
	198-16		195-18		143-16
	199-16		168-8		144-25
	200-16		169-8		145-25
	201-16		170-8		165-14
	241-21		171-8		93-5
	242-21		172-8		94-5
	243-21		173-8		95-5
09125-06063	244-21	09136-06169	174-8	09141-12005 09148-06008	96-5
	245-16		175-8		97-5
	246-16		176-8		167-18
	247-16		177-8		190-13
	248-16		178-8		191-13
	110-5		168-3		192-13
	112-5		169-3		193-13
	237-30		170-3		194-13
	238-30		171-3		195-13
	239-30		172-3		147-30
09125-06063	240-30	09159-08059	173-3	09148-06008	148-17
	137-12		174-3		150-30
	140-12		175-3		154-30
	144-12		176-3		155-17
	145-12		177-3		233-26

PART NO.	FIG.NO.-REF.NO.	PART NO.	FIG.NO.-REF.NO.	PART NO.	FIG.NO.-REF.NO.	
09159-08L02	234-26	09159-22006	73-10	09160-06055	154-17	
	235-26		74-10		09160-06085	196-15
	236-26		75-10		09160-06094	69-11
	146-36		76-10			72-11
	149-36		77-10			74-11
09160-05024 09160-05029	151-23	09160-06082	78-10	09160-06104	75-11	
	152-36		79-10		76-11	
	153-36		233-29		79-11	
	156-23		234-29		197-51	
	135-8		235-29		198-53	
	136-8		236-29		199-51	
	137-13		52-12		200-51	
	138-8		53-12		201-53	
	139-8		54-12		245-51	
	140-13		55-12		246-51	
09160-06046	141-8	09160-06168	56-12	09160-06171 09160-08081	247-51	
	142-8		70-19		248-51	
	143-8		71-19		98-17	
	144-13		73-19		99-17	
	145-13		77-19		100-17	
	233-27		78-19		101-17	
	234-27		233-30		102-17	
	235-27		234-30		103-17	
	236-27		235-30		104-17	
	237-19		236-30		105-17	
09160-06046	238-19	09160-06046	29-15	09160-08082	106-17	
	239-19		30-15		107-17	
	240-19		31-15		108-17	
	70-11		32-15		4-8	
	71-11		33-15		135-17	
	73-11		34-15		136-17	
	77-11		35-15		137-23	
	78-11		36-15		138-17	
	233-28		37-15		139-17	
	234-28		38-15		140-23	
09160-06046	235-28	09160-06046	39-15	09160-08082	141-17	
	236-28		80-8		142-17	
	237-31		135-10		143-17	
	238-31		136-10		144-23	
	239-31		138-10		145-23	
	240-31		139-10		146-22	
	52-8		141-10		147-22	
	53-8		142-10		147-28	
	54-8		143-10		148-12	
	55-8		146-17		148-15	
09160-06046	56-8	09160-06046	147-17	09160-08082	149-22	
	69-10		149-17		150-22	
	70-10		150-17		150-28	
	71-10		152-17		151-12	
	72-10		153-17		152-22	



PART NO.	FIG.NO.-REF.NO.	PART NO.	FIG.NO.-REF.NO.	PART NO.	FIG.NO.-REF.NO.
	153-22		84-11-7		90-11-3
	154-22		85-11-7		91-11-3
	154-28		87-11-7	09160-17056	83-11-4
	155-12		88-11-7		86-11-4
	155-15		89-11-7		90-11-4
	156-12	09160-17028	81-11-9		91-11-4
	233-20		82-11-9	09160-17057	83-11-5
	234-20		84-11-9		86-11-5
	235-20		85-11-9		90-11-5
	236-20		87-11-9		91-11-5
09160-08170	135-22		88-11-9	09160-17058	83-11-6
	136-22		89-11-9		86-11-6
	137-26	09160-17039	81-11-2		90-11-6
	138-22		82-11-2		91-11-6
	139-22		84-11-2	09160-17059	83-11-7
	140-26		85-11-2		86-11-7
	141-22		87-11-2		90-11-7
	142-22		88-11-2		91-11-7
	143-22		89-11-2	09160-17060	83-11-8
	144-26	09160-17040	81-11-4		86-11-8
	145-26		82-11-4		90-11-8
09160-12066	167-19		84-11-4		91-11-8
09160-15057	93-6		85-11-4	09160-17061	83-11-9
	94-6		87-11-4		86-11-9
	95-6		88-11-4		90-11-9
	96-6		89-11-4		91-11-9
09160-17024	97-6	09160-17041	81-11-6	09160-20027	81-4
	81-11-1		82-11-6		82-4
	82-11-1		84-11-6		83-4
	84-11-1		85-11-6		84-4
	85-11-1		87-11-6		85-4
	87-11-1		88-11-6		86-4
	88-11-1		89-11-6		87-4
09160-17025	89-11-1	09160-17042	81-11-8		88-4
	81-11-3		82-11-8		89-4
	82-11-3		84-11-8		90-4
	84-11-3		85-11-8		91-4
	85-11-3		87-11-8	09160-20042	81-5-2
	87-11-3		88-11-8		82-5-2
	88-11-3		89-11-8		83-5-2
09160-17026	89-11-3	09160-17053	83-11-1		84-5-2
	81-11-5		86-11-1		85-5-2
	82-11-5		90-11-1		86-5-2
	84-11-5		91-11-1		87-5-2
	85-11-5	09160-17054	83-11-2		88-5-2
	87-11-5		86-11-2		89-5-2
	88-11-5		90-11-2		90-5-2
	89-11-5		91-11-2		91-5-2
09160-17027	81-11-7	09160-17055	83-11-3	09160-20043	81-5-3
	82-11-7		86-11-3		82-5-3

PART NO.	FIG.NO.-REF.NO.	PART NO.	FIG.NO.-REF.NO.	PART NO.	FIG.NO.-REF.NO.
	83-5-3		89-12-5		152-37
	84-5-3		90-12-5		153-37
	85-5-3		91-12-5		156-24
	86-5-3	09160-25042	81-12-6	09163-06001	190-19
	87-5-3		82-12-6		191-19
	88-5-3		83-12-6		192-19
	89-5-3		84-12-6		193-19
	90-5-3		85-12-6		194-19
	91-5-3		86-12-6		195-19
09160-20044	81-5-4		87-12-6	09164-14008	69-12
	82-5-4		88-12-6		72-12
	83-5-4		89-12-6		74-12
	84-5-4		90-12-6		75-12
	85-5-4		91-12-6		76-12
	86-5-4	09160-27012	146-8		79-12
	87-5-4		147-8	09168-12017	166-8
	88-5-4		148-8	09169-06062	16-6
	89-5-4		149-8		17-6
	90-5-4		150-8		18-6
	91-5-4		151-8		19-6
09160-21009	81-6		152-8		20-6
	82-6		153-8		21-6
	83-6		154-8		22-8
	84-6		155-8		23-8
	85-6		156-8		24-8
	86-6	09160-27013	146-5		25-8
	87-6		147-5		26-8
	88-6		148-5		28-13
	89-6		149-5		109-5
	90-6		150-5		110-9
	91-6		151-5		111-5
09160-25040	81-12-4		152-5	09169-06063	112-9
	82-12-4		153-5		98-5
	83-12-4		154-5		99-5
	84-12-4		155-5		100-5
	85-12-4		156-5		101-5
	86-12-4	09161-04012	168-12		102-5
	87-12-4		169-12		103-5
	88-12-4		170-12		104-5
	89-12-4		171-12		105-5
	90-12-4		172-12		106-5
	91-12-4		173-12		107-5
09160-25041	81-12-5		174-12		108-5
	82-12-5		175-12	09180-06186	69-13
	83-12-5		176-12		72-13
	84-12-5		177-12		74-13
	85-12-5		178-12		75-13
	86-12-5	09161-08019	146-37		76-13
	87-12-5		149-37		79-13
	88-12-5		151-24	09180-06362	69-14

PART NO.	FIG.NO.-REF.NO.	PART NO.	FIG.NO.-REF.NO.	PART NO.	FIG.NO.-REF.NO.
	70-12	09181-20248	81-5-7		87-12-3
	71-12		82-5-7		88-12-3
	72-14		83-5-7		89-12-3
	73-12		84-5-7		90-12-3
	74-14		85-5-7		91-12-3
	75-14		86-5-7	09181-25181	81-12-7
	76-14		87-5-7		82-12-7
	77-12		88-5-7		83-12-7
	78-12		89-5-7		84-12-7
	79-14		90-5-7		85-12-7
09180-06366	135-11		91-5-7		86-12-7
	136-11	09181-20251	81-5-1		87-12-7
	138-11		82-5-1		88-12-7
	139-11		83-5-1		89-12-7
	141-11		84-5-1		90-12-7
	142-11		85-5-1		91-12-7
09181-15241	143-11		86-5-1	09200-05014	146-18
	81-13		87-5-1		147-18
	82-13		88-5-1		149-18
	83-13		89-5-1		150-18
	84-13		90-5-1		152-18
	85-13		91-5-1		153-18
	86-13	09181-25160	81-12-1		154-18
	87-13		82-12-1	09200-06061	146-16
	88-13		83-12-1		147-16
	89-13		84-12-1		149-16
	90-13		85-12-1		150-16
	91-13		86-12-1		152-16
09181-20244	81-5-5		87-12-1		153-16
	82-5-5		88-12-1		154-16
	83-5-5		89-12-1	09202-04008	29-17
	84-5-5		90-12-1		30-17
	85-5-5		91-12-1		31-17
	86-5-5	09181-25162	81-12-2		32-17
	87-5-5		82-12-2		33-17
	88-5-5		83-12-2		34-17
	89-5-5		84-12-2		35-17
	90-5-5		85-12-2		36-17
	91-5-5		86-12-2		37-17
09181-20246	81-5-6		87-12-2		38-17
	82-5-6		88-12-2		39-17
	83-5-6		89-12-2	09202-04025	81-16
	84-5-6		90-12-2		82-16
	85-5-6		91-12-2		83-16
	86-5-6	09181-25164	81-12-3		84-16
	87-5-6		82-12-3		85-16
	88-5-6		83-12-3		86-16
	89-5-6		84-12-3		87-16
	90-5-6		85-12-3		88-16
	91-5-6		86-12-3		89-16

PART NO.	FIG.NO.-REF.NO.	PART NO.	FIG.NO.-REF.NO.	PART NO.	FIG.NO.-REF.NO.
	90-16		174-20	09280-09008	68-11
09202-06023	91-16		175-20	09280-09012	80-10
	165-4		176-20	09280-13004	68-4
	166-7		177-20	09280-17003	1-11
	167-4		178-20	09280-22019	1-6
09204-01002	69-8	09248-08001	167-9	09280-26005	28-39
	70-8	09248-12009	166-9	09280-54001	68-5
	71-8	09250-12006	190-30	09280-57002	167-12
	72-8		191-30	09282-12L04	165-5
	73-8		192-30	09282-13L01	81-22
	74-8		193-30		82-22
	75-8		194-30		83-22
	76-8		195-30		84-22
	77-8	09251-05006	28-14		85-22
	78-8	09251-09007	168-19		86-22
	79-8		169-19		87-22
	146-13		170-19		88-22
	147-13		171-19		89-22
	149-13		172-19		90-22
	150-13		173-19		91-22
	152-13		174-19	09282-27002	146-6
	153-13		175-19		147-6
	154-13		176-19		148-6
	233-19		177-19		149-6
	234-19		178-19		150-6
	235-19	09260-12003	69-15		151-6
	236-19		70-13		152-6
09204-02004	167-20		71-13		153-6
09205-02004	80-4		72-15		154-6
09205-03004	137-19		73-13		155-6
	140-19		74-15		156-6
	144-19		75-15	09283-25096	5-2
	145-19		76-15		6-2
09205-06007	135-6		77-13		7-2
	136-6		78-13		8-2
	137-3		79-15		9-2
	138-6	09262-25003	167-3		10-2
	139-6	09263-17L03	167-2		11-2
	140-3	09263-20L04	81-7		12-2
	141-6		82-7		13-2
	142-6		83-7		14-2
	143-6		84-7		15-2
	144-3		85-7	09283-32039	3-9
	145-3		86-7	09289-05012	5-14
09229-04005	168-20		87-7		6-14
	169-20		88-7		7-14
	170-20		89-7		8-14
	171-20		90-7		9-14
	172-20		91-7		10-14
	173-20	09280-06012	80-9		11-14

PART NO.	FIG.NO.-REF.NO.	PART NO.	FIG.NO.-REF.NO.	PART NO.	FIG.NO.-REF.NO.
	12-14	09380-12002	157-22	09403-07308	170-22
	13-14		158-22		173-22
	14-14		159-22		177-22
	15-14		160-22		178-22
09289-06L02	80-11	09380-15001	81-3	09403-08404	124-16
09289-17L02	167-13		82-3		125-11
09306-22006	135-14		83-3		126-11
	136-14		84-3		127-16
	138-14		85-3		128-11
	139-14		86-3		129-16
	141-14		87-3		130-16
	142-14		88-3		131-16
	143-14		89-3		132-11
09320-08051	98-6		90-3		133-11
	99-6		91-3		134-16
	100-6	09381-16001	3-4	09403-11320	28-42
	101-6	09385-04003	168-21	09403-12406	43-17
	102-6		169-21		46-17
	103-6		170-21		50-17
	104-6		171-21		51-17
	105-6		172-21		57-7
	106-6		173-21		60-7
	107-6		174-21		62-7
	108-6		175-21		63-7
09320-08062	27-7		176-21		64-7
09320-09052	16-10		177-21		67-7
	17-10		178-21	09403-12415	41-14
	18-10	09385-06012	52-13		42-14
	19-10		53-13		43-14
	20-10		54-13		44-14
	21-10		55-13		45-14
	22-12		56-13		46-14
	23-12		70-20		47-14
	24-12		71-20		48-14
	25-12		73-20		49-14
	26-12		77-20		50-14
	28-15		78-20		51-14
09320-11017	168-7		233-31	09407-08401	228-8
	169-7		234-31		228-24
	170-7		235-31		229-8
	171-7		236-31		229-24
	172-7	09401-08412	28-18		230-8
	173-7	09401-08413	40-6		230-24
	174-7	09401-10412	28-19		231-8
	175-7	09401-11423	28-34		231-24
	176-7		28-40		232-8
	177-7	09401-11425	27-8		232-24
	178-7	09401-12413	1-17	09407-14403	124-2
09321-08022	28-16		165-16		127-2
09352-50823-600	28-17	09401-13423	28-41		129-2

PART NO.	FIG.NO.-REF.NO.	PART NO.	FIG.NO.-REF.NO.	PART NO.	FIG.NO.-REF.NO.
	130-2		211-7	09408-00159	98-10
	131-2		211-16		99-10
	134-2		212-18		100-10
	208-15		212-22		101-10
	209-15		213-18		102-10
	210-15		213-22		103-10
	211-15		214-18		104-10
	212-16		214-22		105-10
	213-16		215-18		106-10
	214-16		215-22		107-10
	215-16		216-18		108-10
	216-16		216-22	09408-00184	208-8
	217-16		217-18		209-8
	218-16		217-22		210-8
	219-16		218-18		211-8
	220-16		218-22		212-11
	221-16		219-18		213-11
	222-16		219-22		214-11
09407-14407	93-8		220-18		215-11
	94-8		220-22		216-11
	95-8		221-18		217-11
	96-8		221-22		218-11
	97-8		222-18		219-11
	124-3		222-22		220-11
	124-10		223-16		221-11
	125-6		223-37		222-11
	126-6		224-16	09408-00252	124-18
	127-3		224-37		127-18
	127-10		225-16		129-18
	128-6		225-37		130-18
	129-3		226-16		131-18
	129-10		226-37		134-18
	130-3		227-16	09408-00296	125-13
	130-10		227-37		126-13
	131-3		233-32		128-13
	131-10		234-32		132-13
	132-6		235-32		133-13
	133-6		236-32	09408-00297	124-19
	134-3	09408-00008	124-17		125-14
	134-10		125-12		126-14
	157-23		127-17		127-19
	158-23		128-12		128-14
	159-23		129-17		129-19
	160-23		130-17		130-19
	208-7		131-17		131-19
	208-16		132-12		132-14
	209-7		134-17		133-14
	209-16	09408-00024	126-12		134-19
	210-7		133-12	09420-03005	29-16
	210-16	09408-00070	40-9		30-16



## **SUZUKI DF9.9B/15A/20A PARTS CATALOGUE**

---

SUZUKI MOTOR CORPORATION All rights reserved

No part of this document may be reproduced or transmitted in any form or by any means, electronic or mechanical, for any purpose, without the express written permission of Suzuki Motor Corporation.

SUZUKI MOTOR CORPORATION

Technical Readiness Group, Quality Administration Department  
300 Takatsuka, Minami, Hamamatsu, Japan

---

Reprint Prohibited

**SUZUKI MOTOR CORPORATION**