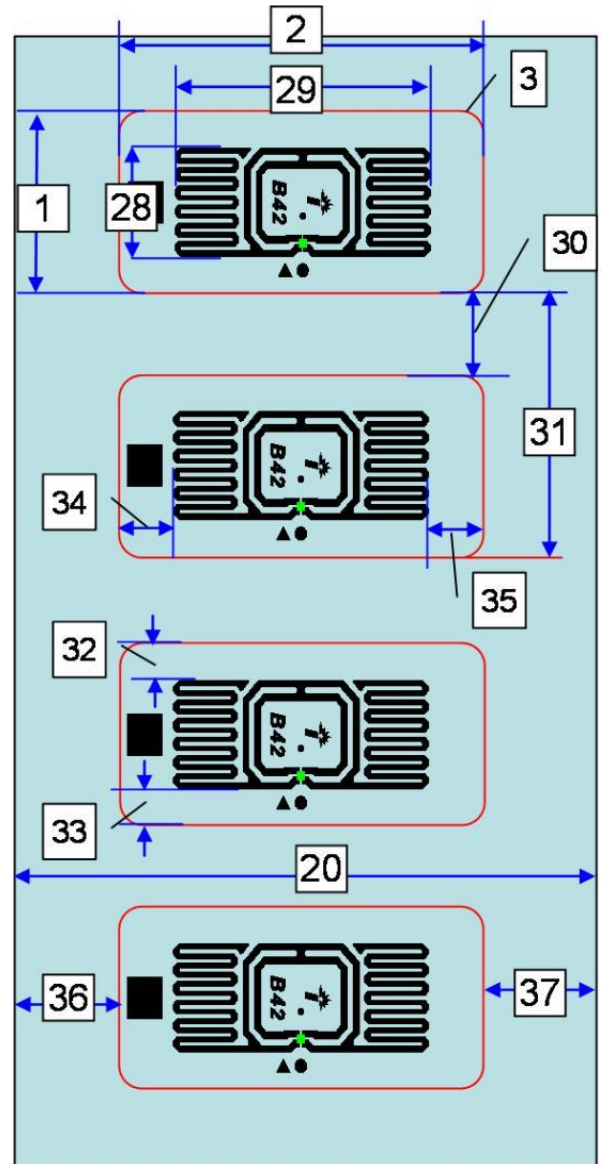
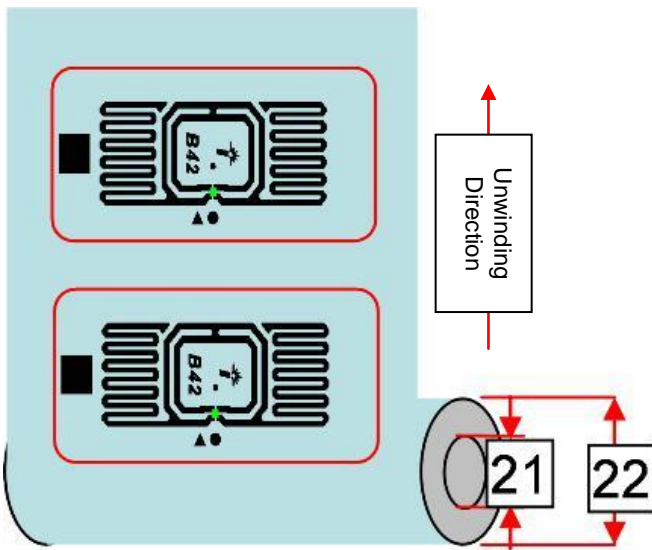
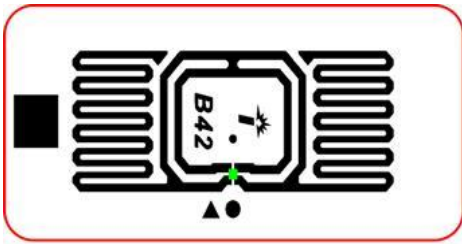


## B42 14.70X31.00mm White Wet Inlay

### 1. (Mechanical Characteristics)

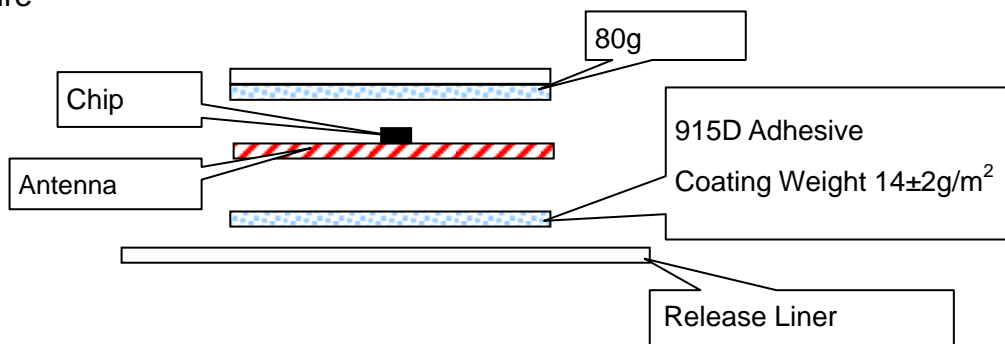
#### 1.1 (White Wet Inlay)



1.2 (dimensions)

Item	No.	Parameter(mm)
Wet Length	1	14.70±0.50
Wet Width	2	31.00±0.50
Wet Corner Radius	3	R=1.50±0.50
Liner Width	20	60.00±1.00
Core ID	21	3inch (76.20± 0.50)
Roll OD	22	≦ 320.00
Antenna Length	28	8.00±0.20
Antenna Width	29	22.00±0.20
Wet Gap	30	5.30±1.00
Wet Pitch	31	20.00±1.00
Antenna to PET (Top)	32	3.35±1.50
Antenna to PET (Bottom)	33	3.35±1.50
Antenna to PET (Left)	34	4.50±1.50
Antenna to PET (Right)	35	4.50±1.50
Wet Edge to Liner Edge (left)	36	14.50±2.00
Wet Edge to Liner Edge (right)	37	14.50±2.00

1.3 Structure



**2. Electrical Characteristics**

(Item)	(Description)	(Remarks)	
Manufacture / Chip	Impinj/Monza 4E	Thickness 100um	
Base Material	PET		
Antenna	Etched Alumium (9µm) + PET (50µm)	Antenna Supplier:CN0292	
Protocol	ISO/IEC 18000-6C EPC Class1 Gen2		
Memory	EPC	Up to 496Bits	Read & Write
	TID	48Bits	Read Only
	Unique TID	48Bits	Read Only
	Password	32Bits Access 32Bits Kill	Read & Write
	User	128Bits	Read & Write
Frequency	860~960MHz		
Operating Mode	Passive		
IC Life	100,000 Programming cycles, 10 years data retention		
ESD Voltage Immunity	Max.2000V	Human being mode(HBM)	

**3. Environment Requirement**

**(Adhesive Application Temperature/Humidity):** [10°C to 40°C] 20% to 80%RH。

**(Operating Temperature):** [-25°C to +60°C] 20% to 80%RH。

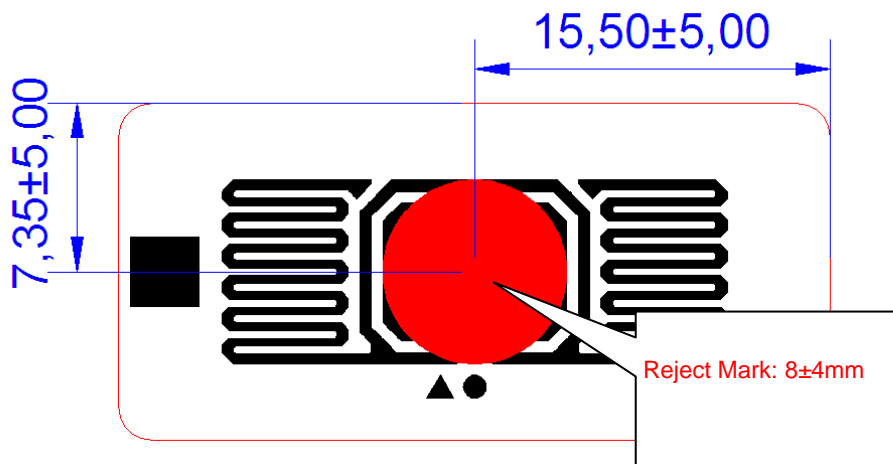
(Environmental requirements of adhesive may vary on different materials)。

**(Shelf Life):** From the date of manufacture, 1 year at 23±5°C / 50%±10%RH), un-seal the vacuum bag and avoid direct sunlight exposure..

Disclaimer: Our recommendations are based on our latest knowledge and experience, we reserve all rights for final explanation.

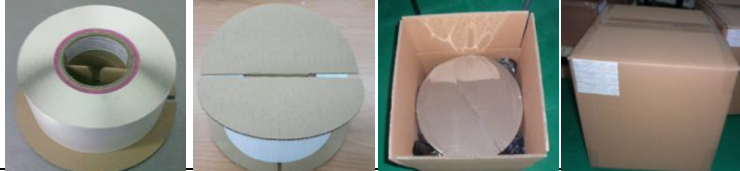
Inlays with ink marks are bad ones. DO NOT USE.

The position of the mark is shown as underside.



Keep away from water and collision. DO NOT BEND.

## 5.(Packaging)

1	Shipment Method	1. roll 2. vacuumed packing in ESD bag  Note: Vacuum packing provides protection during transportation, for product storage please refer to “No. 3 Environmental Requirement”.(Actual Qty as per Shipping Mark)
2.	Roll count	12,000 ± 300Pcs/ 12,000 ± 300Pcs/roll
3	Packaging	4rolls/ctn(Actual Qty as per Shipping Mark)
4	Pictures	

本文件权属永道无线射频标签（扬州）有限公司,未经永道无线射频标签（扬州）有限公司许可,不得复制,转寄等一切侵权活动。

**THE INFORMATION CONTAINED ON THIS DOCUMENT IS CONSIDERED TO BE CONFIDENTIAL MATERIAL PROPRIETARY TO ARIZON RFID TECHNOLOGY (YANGZHOU) CO., LTD. AND THIS INFORMATION SHALL NOT BE DISCLOSED, DUPLICATED OR COPIED FOR ANY PURPOSE. NOR MADE AVAILABLE FOR ANY THIRD PARTY WITHOUT THE PRIOR CONSENT TO ARIZON.**