

greenworks **pro**™

BPS60B00

EN BACKPACK SPRAYER

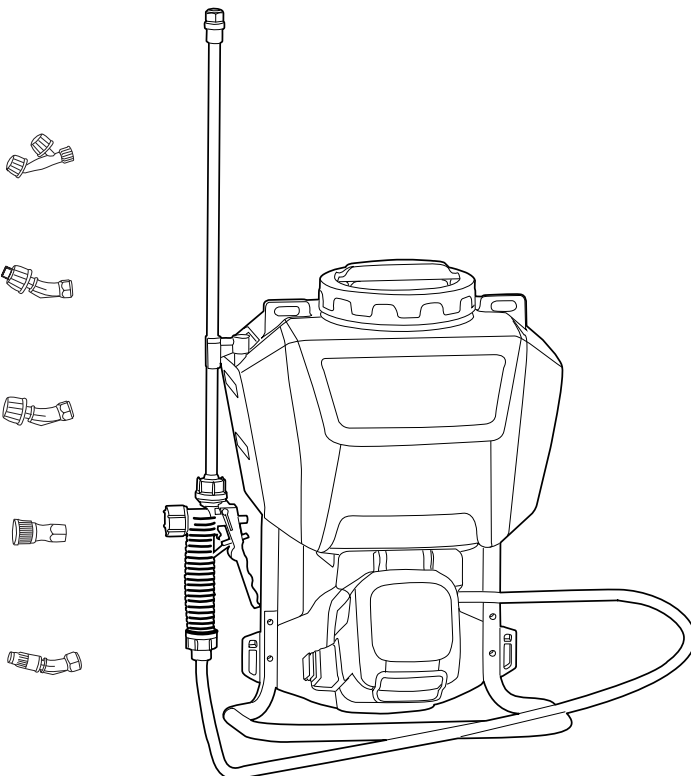
OPERATOR MANUAL

FR PULVÉRISATEUR EN SAC À DOS

MANUEL DE L'UTILISATEUR

ES ROCIADOR TIPO MOCHILA

MANUAL DEL OPERADOR



BSC301

www.greenworkstools.com

1	Description.....	4	7.6	Adjust the harness.....	7
1.1	Purpose.....	4	8	Operation.....	8
1.2	Product overview.....	4	8.1	Use the spray gun.....	8
1.3	Packing list.....	4	8.2	Lock the spray gun trigger.....	9
2	General backpack sprayer safety warnings.....	4	8.3	Unlock the spray gun trigger.....	9
3	Symbols on the product.....	5	8.4	Change the spray tip.....	9
4	Risk levels.....	5	8.5	Spray tip type.....	10
5	Recycle.....	6	8.6	Add solution.....	10
6	Proposition 65.....	6	8.7	Start and stop the machine.....	10
7	Installation.....	6	8.8	Pump-free spraying.....	10
7.1	Unpack the machine.....	6	9	Maintenance	10
7.2	Install the spray gun.....	6	10	Troubleshooting.....	11
7.3	Install the tank lid.....	7	11	Technical data.....	11
7.4	Install the battery pack.....	7	12	Limited warranty.....	11
7.5	Remove the battery pack.....	7	13	Exploded view.....	12

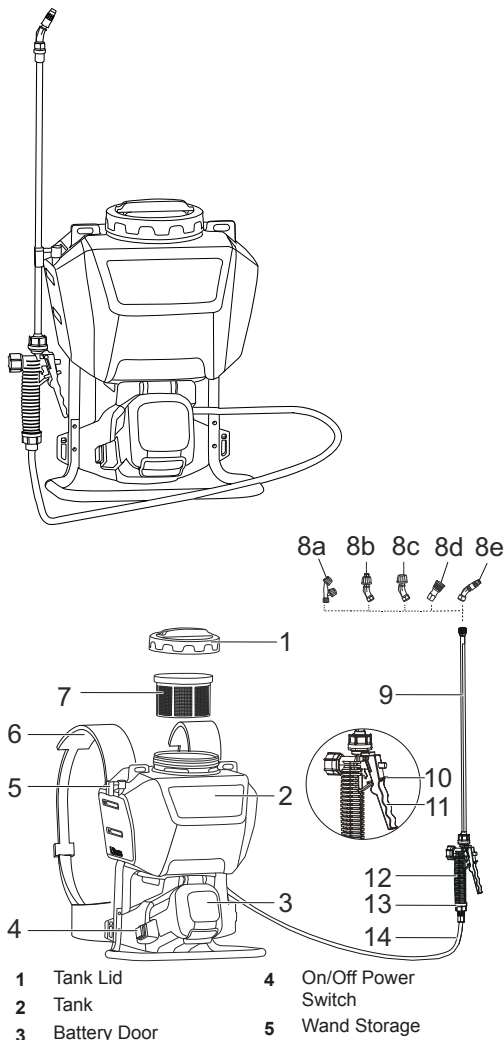
1 DESCRIPTION

1.1 PURPOSE

The machine is used to spray your yard for invasive plants and pests. By taking on this task yourself, you have control over the herbicides and pesticides that you use in your yard and around your house

For residential use only, not for professional use, and for operation at temperature above 32°F (0°C).

1.2 PRODUCT OVERVIEW



1.3 PACKING LIST

- Sprayer
- Spray tips
- Spray gun wand
- Backpack harness

2 GENERAL BACKPACK SPRAYER SAFETY WARNINGS


- Read all the instructions before using the product.
- To reduce the risk of injury, close supervision is necessary when a product is used near children.
- Know how to stop the product and bleed pressure quickly. Be thoroughly familiar with the controls.
- Stay alert – watch what you are doing.
- Do not operate the product when fatigued or under the influence of alcohol or drugs.
- Keep operating area clear of all persons.
- Do not overreach or stand on unstable support. Keep good footing and balance at all times.
- Follow the maintenance instructions specified in the manual.
- Risk of Injection or Injury– DO NOT DIRECT DISCHARGE STREAM AT PERSONS.
- Do not come in contact or interfere with moving parts, or liquids being sprayed from wand.
- Only use attachments recommended or sold by the manufacturer.
- To reduce the risk of electrical shock, do not put in water or other liquid.
- Do not place or store backpack sprayer where it can fall or be pulled into a tub or sink. Do not submerge in water or other liquids.
- Replace damaged or worn parts with replacement parts listed on "Replacements list".
- Read all safety warnings and instructions. Failure to follow the warnings and instructions may result in electric shock, fire and/or serious injury.
- Prevent unintentional starting. Ensure the switch is in the off-position before connecting to battery pack, picking up or carrying the appliance. Carrying the appliance with your finger on the switch or energizing appliance that have the switch on invites







accidents. Remove your finger from the on/off switch before carrying or moving the backpack sprayer.

- Disconnect the battery pack from the appliance before making any adjustments, changing accessories, or storing appliance. Such preventive safety measures reduce the risk of starting the appliance accidentally.
- For use only with LB602 battery and other BAC series.
- For use only with CAC801 charger and other CAC series.
- When battery pack is not in use, keep it away from other metal objects, like paper clips, coins, keys, nails, screws or other small metal objects, that can make a connection from one terminal to another. Shorting the battery terminals together may cause burns or a fire.
- Do not use a battery pack or appliance that is damaged or modified. Damaged or modified batteries may exhibit unpredictable behavior resulting in fire, explosion or risk of injury.
- Do not expose a battery pack or appliance to fire or excessive temperature. Exposure to fire or temperature above 265°F may cause explosion.
- Follow all charging instructions and do not charge the battery pack or appliance outside of the temperature range specified in the instructions. Charging improperly or at temperatures outside of the specified range may damage the battery and increase the risk of fire.
- Have servicing performed by a qualified repair person using only identical replacement parts. This will ensure that the safety of the product is maintained.
- Do not modify or attempt to repair the appliance or the battery pack (as applicable) except as indicated in the instructions for use and care.

3 SYMBOLS ON THE PRODUCT




Some of the following symbols may be used on this tool. Please study them and learn their meaning. Proper interpretation of these symbols will allow you to operate the tool better and safer.

Symbol	Explanation
V	Voltage
A	Current
Hz	Frequency (cycles per second)
W	Power
/min	Revolutions, strokes, surface speed, orbits, etc., per minute
≡	Type or a characteristic of current
	Precautions that involve your safety.

Symbol	Explanation
	To reduce the risk of injury, user must read and understand operator's manual before using this product.
	Always wear safety goggles or safety glasses with side shields and, as necessary, a full face shield when operating this product.
	To reduce the risk of injection or injury, never direct a water stream towards people or pets or place any body part in the stream. Leaking hoses and fittings are also capable of causing injection injury. Do not hold hoses or fittings.
	To reduce the risk of injury from kickback, hold the spray lance securely with both hands when the machine is on.
	Failure to use in dry conditions and to observe safe practices can result in electric shock.
	Fuel and its vapours are explosive and can cause severe burns or death.

4 RISK LEVELS

The following signal words and meanings are intended to explain the levels of risk associated with this product.

SYMBOL	SIGNAL	MEANING
	DANGER	Indicates an imminently hazardous situation, which, if not avoided, will result in death or serious injury.
	WARNING	Indicates a potentially hazardous situation, which, if not avoided, could result in death or serious injury.
	CAUTION	Indicates a potentially hazardous situation, which, if not avoided, may result in minor or moderate injury.
	CAUTION	(Without Safety Alert Symbol) Indicates a situation that may result in property damage.

5 RECYCLE

	<p>Separate collection. You must not discard with usual household waste. If it is necessary to replace the machine, or if it is no more use to you, do not discard it with household waste.</p>
	<p>Separate collection of used machine and packaging let you recycle materials and use them again. Use of the recycled materials helps prevent environmental pollution and decreases the requirements for raw materials.</p>
<p>Batteries</p> <p>Li-Ion</p>	<p>At the end of their useful life, discard batteries with a precaution for our environment. The battery contains material that is dangerous to you and the environment. You must remove and discard these materials separately at a location that accepts lithium-ion batteries.</p>

6 PROPOSITION 65

▲ WARNING

This product contains a chemical known to the state of California to cause cancer, birth defects or other reproductive harm. Some dust created by power sanding, sawing, grinding, drilling, and other construction activities contains chemicals known to cause cancer, birth defects or other reproductive harm. Some examples of these chemicals are:

- Lead from lead-based paints;
- Crystalline silica from bricks and cement and other masonry products;
- Arsenic and chromium from chemically treated lumber.

Your risk of exposure to these chemicals varies depending on how often you do this type of work. To reduce your exposure to these chemicals, work in a well-ventilated area, and work with approved safety equipment, such as dust masks that are specially designed to filter out microscopic particles.

7 INSTALLATION

7.1 UNPACK THE MACHINE

▲ WARNING

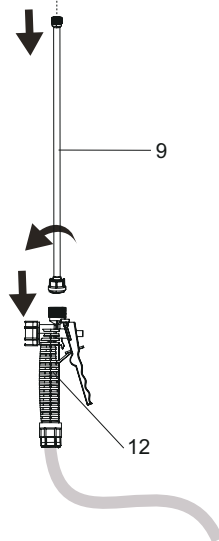
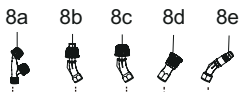
Make sure that you correctly assemble the machine before use.

▲ WARNING

- If parts of the machine are damaged, do not use the machine.
- If you do not have all the parts, do not operate the machine.
- If parts are damaged or missing, contact the service center.

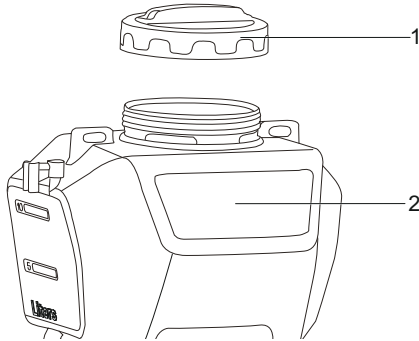
1. Open the package.
2. Read the documentation provided in the box.
3. Remove all the unassembled parts from the box.
4. Remove the machine from the box.
5. Discard the box and packing material in compliance with local regulations.

7.2 INSTALL THE SPRAY GUN



1. Connect the nozzle (8a - 8b) to the wand (3), turn clockwise until the tabs lock into place to ensure leak-free connection.
2. Connect the wand (9) to the gun handle (12), turn clockwise until the tabs lock into place to ensure a leak-free connection.

7.3 INSTALL THE TANK LID

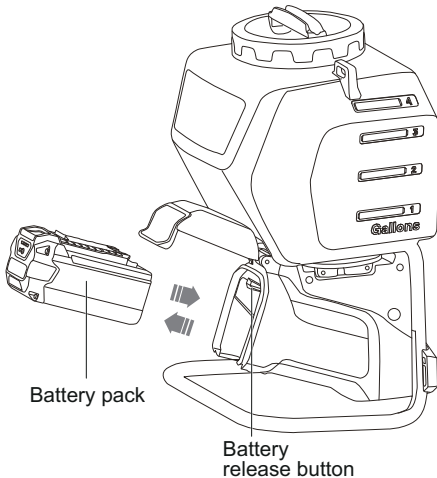


- Connect the tank lid (1) to the tank (2), turn clockwise until the tabs lock into place.

▲ WARNING

Do not move the sprayer by carrying the tank lid handle when the tank is full with solution! Only lift the lid handle when the tank is empty. It is recommended to wear harness to transport the sprayer.

7.4 INSTALL THE BATTERY PACK



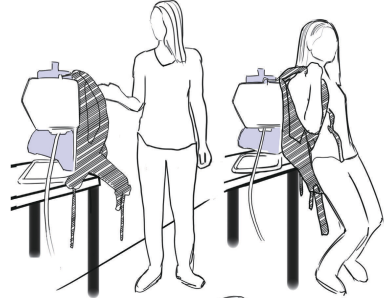
1. Open the battery door (3).
2. Align the lift ribs on the battery pack with the grooves in the battery compartment.
3. Push the battery pack into the battery compartment until the battery pack locks into place.
4. When you hear a click, the battery pack is installed.

7.5 REMOVE THE BATTERY PACK

1. Open the battery door.
2. Push and hold the battery release button.
3. Remove the battery pack from the machine.

7.6 ADJUST THE HARNESS

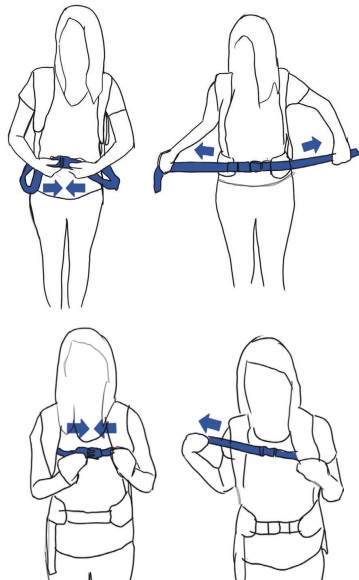
1. Place the sprayer on an elevated surface.
2. Fit the sprayer onto your back loosely.



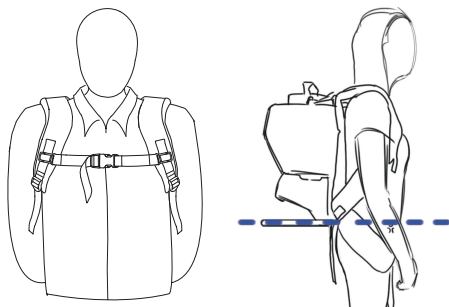
3. Tighten the upper straps first.
4. Then tighten the lower straps to get the weight above your waist.



5. Tighten both sides of the waist belt until the weight of the sprayer is on your hips.
6. Tighten the chest strap the keep the weight close to your back.



7. Install the back pad against your back tightly and safely.
8. The sprayer should sit above your waist and the tank should be close to the user's back.

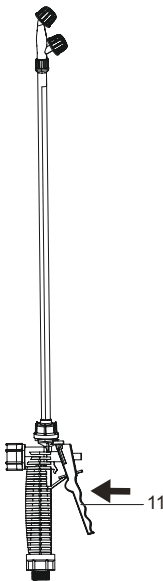


8 OPERATION

▲ WARNING

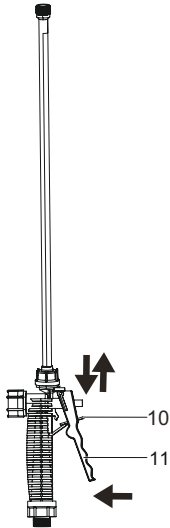
Make sure that all the connections are tight and have no leakage before operation.

8.1 USE THE SPRAY GUN



1. Pull and hold the spray gun trigger (11) to start the machine.
2. Release the spray gun trigger (11) to stop water flow through the spray tip.

8.2 LOCK THE SPRAY GUN TRIGGER

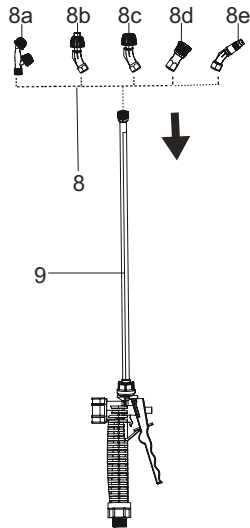


1. Press the trigger (11) and push forward the trigger safety lock-out (10) to lock the gun trigger.
2. Release the spray gun trigger (11) to stop water flow through the spray tip.

8.3 UNLOCK THE SPRAY GUN TRIGGER

1. Pull backwards on the trigger safety lock-out (10) to unlock the gun trigger.

8.4 CHANGE THE SPRAY TIP







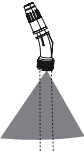
1. Insert any of the spray tips (8a - 8e) onto the spray wand (9).

▲ WARNING

After changing the spray tip, if the angle of the spray tip is not appropriate, adjust the joint between the gun wand and the trigger handle and tighten it again.

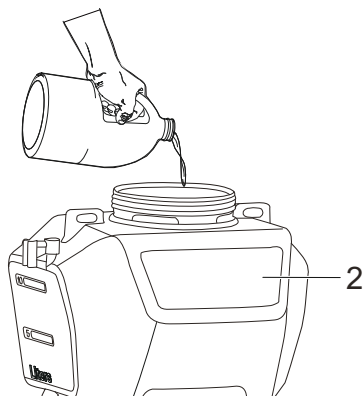


8.5 SPRAY TIP TYPE

Spray tip	APPLICATION
	Double head spray tip sprays water from both tips at the same time.
	Fan spray tip, also known as "fan" tip creates the widest area of spraying.
	Single head spray tip provides the highest versatility.
	Four hole spray tip covers a wide area of spraying and strong pressure.
	Adjustable spray tip allows the user to adjust the tip to the desired spraying technique.

8.6 ADD SOLUTION

1. Open the tank lid on the tank (2).
2. Pour solution into tank (2).
3. Reattach tank lid to the tank (2).



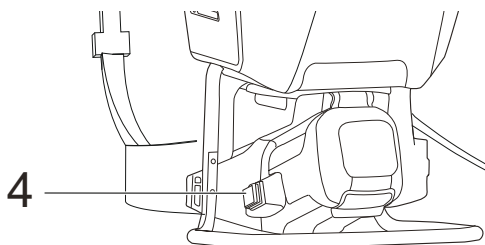
8.7 START AND STOP THE MACHINE

To start:

- Press the switch (4) to turn the machine ON (I).

To stop:

- Press the switch (4) to turn the machine OFF (O).



8.8 PUMP-FREE SPRAYING

The battery-powered sprayer keeps fluid continuously cycling through the tank to allow pump-free spraying.

9 MAINTENANCE

▲ WARNING

Always depressurize the sprayer, remove all chemical solution, and clean the sprayer before making repairs. Replacement parts may be purchased at the store where you bought the sprayer. For a list of replacement parts refer to <Replacement parts>.

Cleaning and maintaining the machine

After each use, clean the tank thoroughly. If spray solution remains, properly dispose of it and drain the tank completely. Follow recommendations from the chemical manufacturer for proper disposal of the solution. Pumping causes air to be taken in, and the remaining liquid needs to be discharged. Pump until

all liquid and air are completely discharged through the nozzle. Refill the tank with a few quarts of soapy water (a mild dish detergent is recommended) and discharge as previously instructed. If necessary, repeat this procedure several times to ensure that the sprayer is clean. Sporadic spray distribution is caused by a clogged nozzle. If necessary, remove and clean nozzle.

Maintenance and storage

After use, the sprayer should be properly cleaned and stored away from direct sunlight to prevent UV damage. Before storing for the winter, be sure that all liquid is completely drained from the tank, lines and air chamber. (Refer to the CLEANING AND MAINTAINING THE SPRAYER instructions above). Regularly inspect hose, pump tank for water, damage or leaks.

10 TROUBLESHOOTING

PROBLEM	POSSIBLE CAUSE	SOLUTION
Liquid leaks.	Nut may be loose or rubber seal is cracked or damaged.	Tighten the nut and/or replace the seal and lubricate.
Liquid leaks from the lid.	Lid not screwed on tightly or seal is cracked or damaged.	Tighten lid. Lubricate the seal, replace if necessary.
Tank starts to collapse; tank lid cannot be unscrewed creating vacuum.	Vent holes in tank lid have become clogged.	Remove cap and with a small wire, unclog the holes. Clean the cap, check the valve. Lubricate check valve and reinstall.
Low or no pressure.	Battery is out of charge, switch is in "off" position or tip nozzle is stuck.	Charge the battery to full charge, turn switch to ON position, unscrew nozzle, and remove debris.
Tank leaks at pump connection.	Seals are damaged.	Replace damaged seals
Tank leaks at pump.	The hose clamp is loose.	Tighten the hose clamp.
Tank leaks at hose connection.	Clamp is loose or damaged.	Tighten clamp or replace if damaged.
Diaphragm is leaking.	Diaphragm is damaged.	Replace diaphragm.

PROBLEM	POSSIBLE CAUSE	SOLUTION
The machine does not start.	The battery is not charged.	Charge the battery by following the procedures in the battery and charger manual.
	Battery is too cold.	Remove battery from backpack sprayer. Place battery on charger and allow to charge for 10 minutes or until the changing light turns green. Remove from charger and install in backpack sprayer for use.

11 TECHNICAL DATA

Rated Voltage	60V; Cordless, battery powered
Max. Pounds Per Square Inch Pressure	70 PSI (0.5 MPA)
Rated Gallons Per Minute	0.5 GPM (1.89 L/min)
Maximum Inlet Water Temperature	104 °F (40 °C)
Cleaning Units	35 C.U.
Capacity	4 Gallons
Weight (without battery pack)	11.69 lbs. (5,3 kg)
Battery Mode	LB602 and other BAC series
Charge Mode	CAC801 and other CAC series

12 LIMITED WARRANTY



Greenworks hereby warrants this product, to the original purchaser with proof of purchase, for a period of four (4) years against defects in materials, parts or workmanship. Greenworks, at its own discretion, will repair or replace any and all parts found to be defective, through normal use, free of charge to the customer. This warranty is valid only for units which have been used for personal use that have not been purchased

or rented for industrial/commercial use, and that have been maintained in accordance with the instructions in the owners' manual supplied with the product when new.

ITEMS NOT COVERED BY WARRANTY:

- 1. Any part that has become inoperative due to misuse, commercial use, abuse, neglect, accident, improper maintenance, or alteration; or
- 2. The unit, if it has not been operated and/or maintained in accordance with the owner's manual; or
- 3. Normal wear;
- 4. Routine maintenance items such as lubricants, blade sharpening;
- 5. Normal deterioration of the exterior finish due to use or exposure.

HELPLINE:

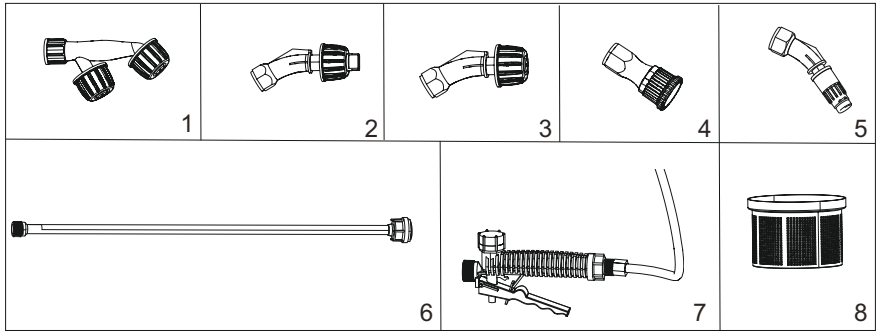
Warranty service is available by calling our toll-free helpline at 1-855-345-3934.

TRANSPORTATION CHARGES:

Transportation charges for the movement of any power equipment unit or attachment are the responsibility of the purchaser. It is the purchaser's responsibility to pay transportation charges for any part submitted for replacement under this warranty unless such return is requested in writing by Greenworks.

USA address: Greenworks Tools P.O. Box 1238 Mooresville, NC 28115	Canadian address: Greenworks Tools Canada, Inc. P.O. Box 93095, Newmarket, Ontario L3Y 8K3
---	--

13 EXPLODED VIEW



No.	Part No.	Description	Qty.
1	C1103722-00	Double Head Spray Tip	1
2	C1103667-00	Fan Spray Tip	1
3	C1103663-00	Single Head Spray Tip	1
4	C1104975-00	Four Hole Spray Tip	1
5	C1104999-00	Adjustable Spray Tip	1
6	C1103718-00	Gun Wand	1
7	C1103719-00	Trigger Handle	1
8	C1103666-00	Strainer	1

1	Description.....	15		7.5 Retirez le bloc-batterie.....	19
1.1	But.....	15	7.6	Ajustez le harnais.....	19
1.2	Aperçu du produit.....	15	8	Utilisation.....	20
1.3	Liste du contenu de l'emballage.....	15	8.1	Utilisez le pistolet pulvérisateur.....	20
2	Avertissements généraux sur la sécurité des pulvérisateurs à dos.....	15	8.2	Verrouillez la gâchette du pistolet pulvérisateur.....	20
3	Symboles figurant sur la machine.....	16	8.3	Déverrouillez la gâchette du pistolet pulvérisateur.....	20
4	Niveaux de risques.....	17	8.4	Changez la buse de pulvérisation.....	21
5	Recyclage.....	17	8.5	Type de buse de pulvérisation.....	21
6	Proposition 65.....	17	8.6	Ajoutez la solution.....	21
7	Installation.....	17	8.7	Démarrez et arrêtez la machine.....	22
7.1	Déballer la machine.....	17	8.8	Pulvérisation sans pompe.....	22
7.2	Installez le pistolet de pulvérisation.....	18	9	Entretien	22
7.3	Installez le couvercle du réservoir.....	18	10	Dépannage.....	22
7.4	Installer le bloc-batterie.....	18	11	Données techniques.....	23
			12	Garantie limitée.....	23
			13	Vue éclatée.....	24

1 DESCRIPTION

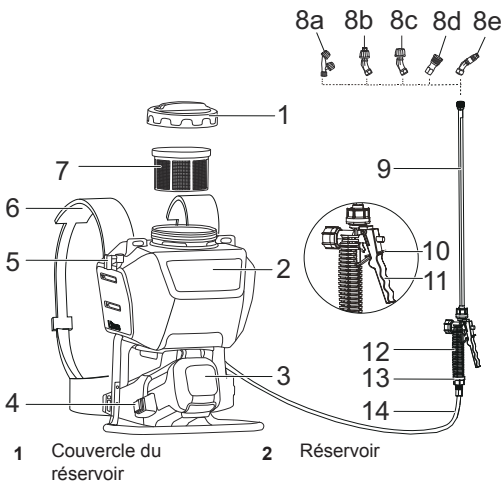
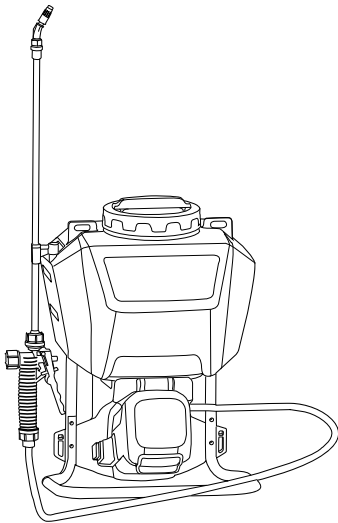
1.1 BUT

La machine est utilisée pour pulvériser votre jardin afin d'éliminer les plantes envahissantes et les parasites.

En assumant vous-même cette tâche, vous avez le contrôle des herbicides et des pesticides que vous utilisez dans votre jardin et autour de votre maison.

Pour usage résidentiel uniquement et ne convient pas à un usage professionnel, et pour une utilisation à une température supérieure à 32 °F (0 °C).

1.2 APERÇU DU PRODUIT



- | | | | |
|----|--|----|--|
| 3 | Porte de la batterie | 8d | Embout de pulvérisation à quatre trous |
| 4 | Interrupteur marche/arrêt | 8e | Embout de pulvérisation réglable |
| 5 | Rangement de la baguette | 9 | Lance du pistolet |
| 6 | Sac à dos | 10 | Levier de verrouillage |
| 7 | Crépine | 11 | Gâchette |
| 8a | Embout de pulvérisation à double tête | 12 | Poignée de la gâchette |
| 8b | Embout de pulvérisation du ventilateur | 13 | Entrée d'eau |
| 8c | Embout de pulvérisation à tête unique | 14 | Tuyau |

1.3 LISTE DU CONTENU DE L'EMBALLAGE

- Pulvérisateur
- Conseils de pulvérisation
- Baguette de pistolet à peinture
- Harnais de sac à dos

2 AVERTISSEMENTS GÉNÉRAUX SUR LA SÉCURITÉ DES PULVÉRISATEURS À DOS

- Lisez toutes les instructions avant d'utiliser le produit.
- Afin de réduire les risques de blessure, une surveillance étroite est essentielle lorsqu'un produit est utilisé en présence d'enfants.
- Apprenez à éteindre le produit et à baisser la pression rapidement. Familiarisez-vous avec les commandes.
- Soyez vigilant et faites attention à ce que vous faites.
- N'utilisez pas le produit si vous êtes fatigué ou sous l'influence de l'alcool ou de drogues.
- Gardez toute personne à l'écart de la zone de travail.
- Ne vous penchez pas trop en avant et ne vous tenez pas sur un support instable. Gardez une position stable et un bon équilibre en tout temps.
- Suivez les instructions d'entretien spécifiées dans le manuel.
- Risque d'injection ou de blessure : **NE PAS DIRIGER DE VAPEUR VERS LES PERSONNES.**
- N'entrez pas en contact ou n'interférez pas avec les pièces mobiles ou les liquides pulvérisés par la baguette.
- N'utilisez que des accessoires recommandés ou vendus par le fabricant.







- Pour réduire le risque de choc électrique, ne pas mettre l'appareil dans l'eau ou dans un autre liquide.
- Ne placez pas ou ne rangez pas le pulvérisateur à dos à un endroit où il peut tomber ou être tiré dans une baignoire ou un évier. N'immergez pas dans l'eau ou d'autres liquides.
- Remplacez les pièces endommagées ou usées par des pièces de rechange figurant dans la "Liste des pièces de rechange".
-
- Lisez tous les avertissements de sécurité et toutes les instructions. Le non-respect de ces avertissements et de ces instructions peut entraîner un choc électrique, un incendie et/ou des blessures graves.
- Évitez tout démarrage accidentel. Assurez-vous que l'interrupteur est en position d'arrêt avant de brancher la batterie, de soulever ou de transporter l'appareil. Le fait de porter l'appareil avec un doigt sur l'interrupteur ou d'alimenter l'appareil dont l'interrupteur est en marche risque de provoquer des accidents. Retirez votre doigt de l'interrupteur marche/arrêt avant de porter ou de déplacer le pulvérisateur à dos.
- Retirez la batterie de l'outil électrique avant d'effectuer des réglages, de changer des accessoires ou de ranger la machine. De telles mesures de sécurité préventives réduisent le risque d'un démarrage accidentel de la machine.
- A utiliser uniquement avec la batterie LB602 et les autres séries BAC.
- A utiliser uniquement avec le chargeur CAC801 et les autres séries CAC.
- Lorsque le bloc-batterie n'est pas utilisé, éloignez-le des autres objets métalliques tels qu'attaches trombones, pièces de monnaie, clés, clous, vis ou autres petits objets métalliques qui peuvent établir une connexion d'une borne à une autre. Le court-circuitage des bornes de la batterie peut provoquer des brûlures ou un incendie.
- N'utilisez pas une batterie ou un appareil endommagé ou modifié. Les batteries endommagées ou modifiées peuvent présenter un fonctionnement imprévisible et provoquer un incendie, une explosion ou un risque de blessure.
- N'exposez pas une batterie ou un appareil à un feu ou à une température excessive. L'exposition au feu ou une température supérieure à 265°F peut provoquer une explosion.
- Suivez toutes les instructions de recharge et ne rechargez pas le bloc-batterie ou l'appareil en dehors de la plage de température spécifiée dans ces instructions. Un rechargement incorrect ou à des températures en dehors de la plage spécifiée peut endommager la batterie et augmenter le risque d'incendie.
- Faites effectuer l'entretien par un réparateur qualifié utilisant uniquement des pièces de rechange



identiques. Cela garantira le maintien de la sécurité du produit.

- Ne modifiez pas ou n'essayez pas de réparer l'appareil ou le bloc-batterie (selon le cas) sauf en conformité avec les instructions d'utilisation et d'entretien indiquées dans ce manuel.


3 SYMBOLES FIGURANT SUR LA MACHINE

Certains des symboles suivants peuvent être utilisés sur cet outil. Veuillez les étudier et apprendre leur signification. Une bonne interprétation de ces symboles vous permettra de mieux utiliser l'outil et de manière plus sécuritaire.

Symbole	Explication
V	Voltage
A	Courant
Hz	Fréquence (cycles par seconde)
W	Puissance
/min	Révolutions, courses, vitesse de surface, orbites, etc., par minute
	Type ou caractéristique du courant
	Précautions destinées à assurer la sécurité.
	Pour réduire les risques de blessures, l'utilisateur doit lire et comprendre le manuel d'opérateur avant d'utiliser ce produit.
	Portez toujours des lunettes de protection ou des lunettes de sécurité avec écrans latéraux et, au besoin, un écran facial intégral lorsque vous utilisez ce produit.
	Pour réduire le risque d'injection ou de blessure, ne dirigez jamais un jet d'eau vers des personnes ou des animaux domestiques et ne placez aucune partie du corps dans le jet. Les tuyaux et raccords qui fuient peuvent également causer des blessures par injection. Ne pas tenir les tuyaux ou les raccords.
	Pour réduire le risque de blessure par rebond, tenez fermement la lance avec les deux mains lorsque la machine est en marche.

Symbole	Explication
	Le non-respect des consignes de sécurité et de l'utilisation dans des conditions sèches peut entraîner un choc électrique.
	Le carburant et ses vapeurs sont explosifs et peuvent causer de graves brûlures ou la mort.

Batteries






Li-ion


À la fin de leur durée de vie utile, jetez les batteries en prenant des précautions pour l'environnement. La batterie contient des matières dangereuses pour les humains et pour l'environnement. Vous devez retirer et jeter ces matériaux séparément à un emplacement qui accepte les batteries aux ions de lithium.

4 NIVEAUX DE RISQUES


Les termes de mise en garde suivants et leur signification ont pour but d'expliquer les niveaux de risques associés à l'utilisation de ce produit.

SYMBOLE	SIGNAL	SIGNIFICATION
	DANGER	Indique une situation dangereuse imminente qui, si elle n'est pas évitée, peut entraîner la mort ou des blessures graves.
	AVERTISSEMENT	Indique une situation potentiellement dangereuse qui, si elle n'est pas évitée, peut entraîner la mort ou des blessures graves.
	MISE EN GARDE	Indique une situation potentiellement dangereuse qui, si elle n'est pas évitée, pourrait causer des blessures mineures ou modérées.
	MISE EN GARDE	(Sans symbole d'alerte de sécurité) indique une situation pouvant entraîner des dommages matériels.

5 RECYCLAGE



Collecte séparée. Vous ne devez pas jeter ces déchets avec les ordures ménagères habituelles. S'il est nécessaire de remplacer la machine, ou si elle ne vous est plus utile, ne la jetez pas avec les déchets ménagers.



La collecte séparée des machines et des emballages usagés vous permet de recycler les matériaux et de les réutiliser. L'utilisation de matériaux recyclés contribue à la prévention de la pollution de l'environnement et à la réduction des besoins en matières premières.

6 PROPOSITION 65

▲ AVERTISSEMENT

Ce produit contient un produit chimique connu dans l'état de Californie comme étant une cause de cancer, de malformations congénitales ou d'autres problèmes de reproduction. Certaines poussières produites par le ponçage mécanique, le sciage, le meulage, le perçage et d'autres activités de construction contiennent des produits chimiques connus pour causer le cancer, des malformations congénitales ou d'autres problèmes de reproduction. Voici quelques exemples de ces produits chimiques :

- Plomb provenant de peintures à base de plomb;
- Silice cristalline provenant de briques, de ciment et d'autres produits de maçonnerie;
- Arsenic et chrome provenant de bois traité chimiquement.

Votre risque d'exposition à ces produits chimiques varie selon la fréquence à laquelle vous faites ce type de travail. Pour réduire votre exposition à ces produits chimiques, travaillez dans un endroit bien ventilé et utilisez un équipement de sécurité approuvé, comme des masques anti-poussière spécialement conçus pour filtrer les particules microscopiques.

7 INSTALLATION

7.1 DÉBALLER LA MACHINE

▲ AVERTISSEMENT

Assurez-vous d'assembler correctement la machine avant de l'utiliser.

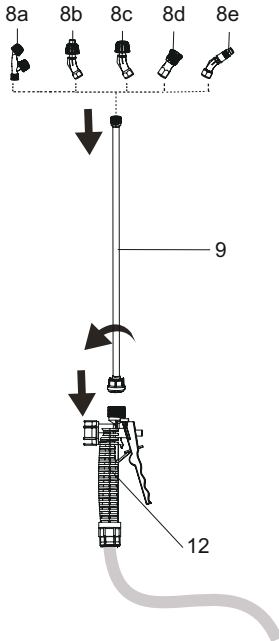
▲ AVERTISSEMENT

- Si les pièces de la machine sont endommagées, ne l'utilisez pas.
- Si vous n'avez pas toutes les pièces, n'utilisez pas la machine.
- Si des pièces sont endommagées ou manquantes, communiquez avec le centre de service.

1. Ouvrez l'emballage.
2. Lisez la documentation contenue dans la boîte.

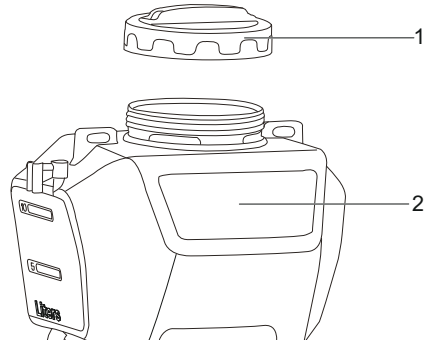
3. Retirez toutes les pièces non assemblées de la boîte.
4. Retirez la machine de sa boîte.
5. Jetez la boîte et l'emballage conformément aux règlements locaux.

7.2 INSTALLEZ LE PISTOLET DE PULVÉRISATION



1. Connectez la buse (8a - 8b) à la baguette (3), tournez dans le sens des aiguilles d'une montre jusqu'à ce que les languettes se verrouillent en place pour assurer une connexion sans fuite.
2. Connectez la baguette (9) à la poignée du pistolet (12), tournez dans le sens des aiguilles d'une montre jusqu'à ce que les languettes se verrouillent en place pour assurer une connexion sans fuite.

7.3 INSTALLEZ LE COUVERCLE DU RÉSERVOIR

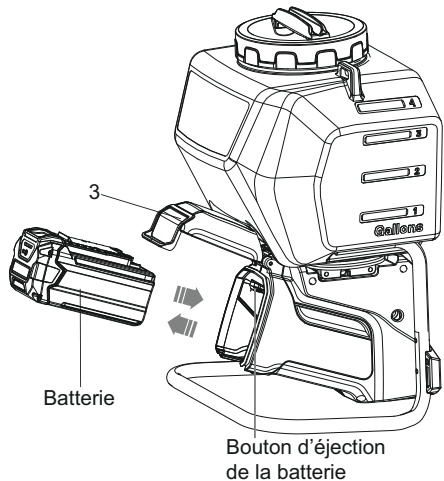


- Connectez le couvercle du réservoir (1) au réservoir (2), tournez dans le sens des aiguilles d'une montre jusqu'à ce que les languettes se verrouillent en place.

▲ AVERTISSEMENT

Ne déplacez pas le pulvérisateur en portant la poignée du couvercle du réservoir lorsque le réservoir est plein de solution ! Ne soulevez la poignée du couvercle que lorsque le réservoir est vide. Il est recommandé de porter un harnais pour transporter le pulvérisateur.

7.4 INSTALLER LE BLOC-BATTERIE



1. Ouvrez le couvercle de la batterie (3).
2. Alignez les languettes du bloc-batterie avec les rainures du compartiment de batterie.

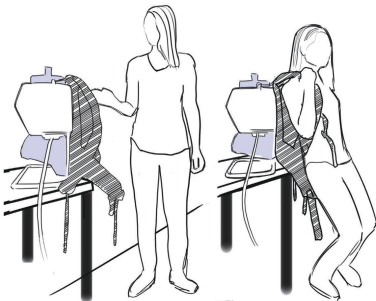
3. Poussez le bloc-batterie dans le compartiment de batterie jusqu'à ce qu'il soit bien encliqueté.
4. Vous devriez entendre un clic lorsque le bloc-batterie sera inséré correctement.

7.5 RETIREZ LE BLOC-BATTERIE

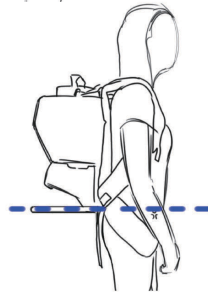
1. Ouvrez la trappe de la batterie.
2. Poussez et maintenez enfoncé le bouton de déblocage de la batterie.
3. Retirez le bloc-batterie de la machine.

7.6 AJUSTEZ LE HARNAIS

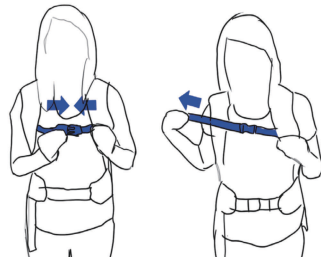
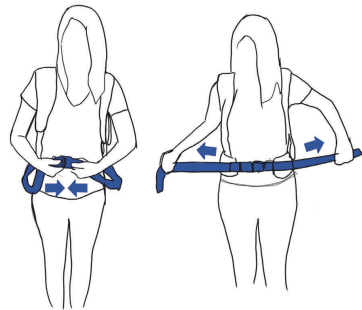
1. Placez le pulvérisateur sur une surface surélevée.
2. Installez le pulvérisateur sur votre dos sans serrer.



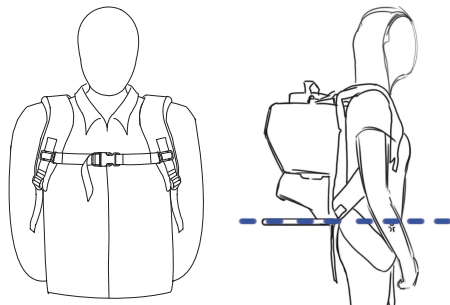
3. Serrez d'abord les sangles supérieures.
4. Ensuite, serrez les sangles inférieures pour que le poids soit au-dessus de votre taille.



5. Serrez les deux côtés de la ceinture jusqu'à ce que le poids du pulvérisateur repose sur vos hanches.
6. Serrez la sangle de poitrine pour garder le poids près de votre dos.



7. Installez solidement le support dorsal contre votre dos de manière sécuritaire.
8. Le pulvérisateur doit être placé au-dessus de votre taille et le réservoir doit être près du dos de l'utilisateur.

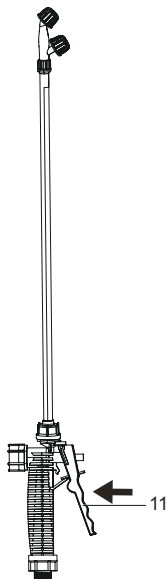


8 UTILISATION

▲ AVERTISSEMENT

Assurez-vous que tous les raccords sont bien serrés et qu'il n'y a pas de fuite avant de les utiliser.

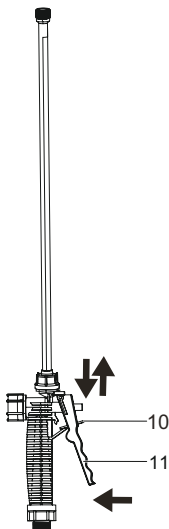
8.1 UTILISEZ LE PISTOLET PULVÉRISATEUR



1. Tirez sur la gâchette du pistolet (11) et maintenez-la enfoncée pour démarrer la machine.

2. Relâchez la gâchette du pistolet pulvérisateur (11) pour arrêter l'écoulement de l'eau à travers la buse.

8.2 VERROUILLEZ LA GÂCHETTE DU PISTOLET PULVÉRISATEUR

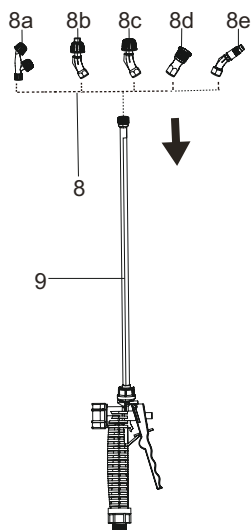


1. Appuyez sur la gâchette (11) et poussez vers l'avant le verrou de sécurité de la gâchette (10) pour verrouiller la gâchette du pistolet.
2. Relâchez la gâchette du pistolet pulvérisateur (11) pour arrêter l'écoulement de l'eau à travers la buse.

8.3 DÉVERROUILLEZ LA GÂCHETTE DU PISTOLET PULVÉRISATEUR

1. Tirez vers l'arrière sur le verrou de sécurité de la gâchette (10) pour déverrouiller la gâchette du pistolet.

8.4 CHANGEZ LA BUSE DE PULVÉRISATION







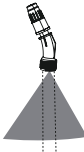
1. Insérez l'une des buses de pulvérisation (8a - 8e) sur la lance de pulvérisation (9).

▲ AVERTISSEMENT

Après avoir changé la buse de pulvérisation, si l'angle de la buse de pulvérisation n'est pas approprié, ajustez le joint entre la baguette du pistolet et la poignée à bascule et resserrez-le.

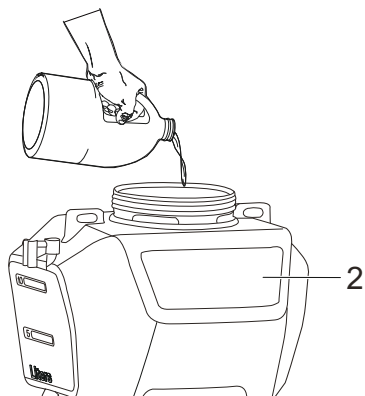


8.5 TYPE DE BUSE DE PULVÉRISATION

Buse de pulvérisation	APPLICATION
	L'embout à double tête pulvérise l'eau des deux embouts en même temps.
	La buse de pulvérisation en éventail, également connue sous le nom de buse " en éventail ", crée la zone de pulvérisation la plus large.
	La buse de pulvérisation à tête unique offre la plus grande polyvalence.
	La buse de pulvérisation à quatre trous couvre une large zone de pulvérisation et une forte pression.
	L'embout réglable permet à l'utilisateur d'adapter l'embout à la technique de pulvérisation souhaitée.

8.6 AJOUTEZ LA SOLUTION

1. Ouvrez le couvercle du réservoir sur le réservoir (2).
2. Versez la solution dans le réservoir (2).
3. Réattachez le couvercle du réservoir au réservoir (2).



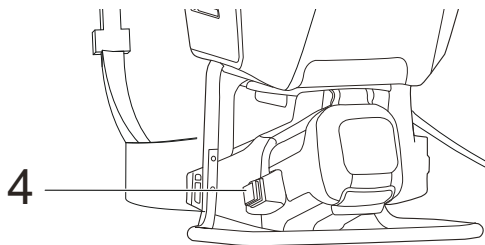
8.7 DÉMARREZ ET ARRÊTEZ LA MACHINE

Pour démarrer :

- Appuyez sur l'interrupteur (4) pour mettre la machine sous tension (I).

Pour arrêter :

- Appuyez sur l'interrupteur (4) pour mettre la machine hors tension (O).



8.8 PULVÉRISATION SANS POMPE

Le pulvérisateur alimenté par une batterie fait circuler le liquide en permanence dans le réservoir pour permettre une pulvérisation sans pompe.

9 ENTRETIEN

▲ AVERTISSEMENT

Toujours dépressuriser le pulvérisateur, enlever toute solution chimique et nettoyer le pulvérisateur avant d'effectuer des réparations. Les pièces de rechange peuvent être achetées dans le magasin où vous avez acheté le pulvérisateur. Pour une liste des pièces de rechange, reportez-vous à <Pièces de rechange>.

Nettoyage et entretien de la machine

Après chaque utilisation, nettoyez soigneusement le réservoir. S'il reste de la bouillie, éliminez-la correctement et videz complètement le réservoir. Suivez les recommandations du fabricant du produit chimique pour l'élimination appropriée de la solution. Le pompage entraîne une aspiration d'air et le liquide restant doit être évacué. Pompez jusqu'à ce que le liquide et l'air soient complètement évacués par la buse. Remplissez le réservoir avec quelques litres d'eau savonneuse (un détergent à vaisselle doux est recommandé) et déchargez comme indiqué précédemment. Si nécessaire, répétez cette procédure plusieurs fois pour vous assurer que le pulvérisateur est propre. Une distribution sporadique du jet est due à une buse bouchée. Si nécessaire, retirez et nettoyez la buse.

Entretien et rangement

Après utilisation, le pulvérisateur doit être correctement nettoyé et stocké à l'abri de la lumière directe du soleil pour éviter tout dommage dû aux UV. Avant de ranger l'appareil pour l'hiver, assurez-vous que tout le liquide a été complètement évacué du réservoir, des conduites et de la chambre à air. (Voir les instructions de NETTOYAGE ET ENTRETIEN DU PULVÉRISATEUR ci-dessus). Inspectez régulièrement le tuyau, le réservoir de la pompe pour vérifier s'il y a de l'eau, des dommages ou des fuites.

10 DÉPANNAGE

PROBLÈME	CAUSE POSSIBLE	SOLUTION
Fuites de liquide.	L'écrou est peut-être desserré ou le joint en caoutchouc est fissuré ou endommagé.	Serrez l'écrou et/ou remplacez le joint et lubrifiez.
Du liquide s'échappe du couvercle.	Le couvercle n'est pas bien vissé ou le joint est fissuré ou endommagé.	Serrez le couvercle. Lubrifiez le joint, remplacez-le si nécessaire.
Le réservoir commence à s'effondrer ; le couvercle du réservoir ne peut pas être dévissé, ce qui crée un vide.	Les trous d'aération du couvercle du réservoir sont obstrués.	Retirez le bouchon et, à l'aide d'un petit fil, débouchez les trous. Nettoyez le bouchon, vérifiez la valve. Lubrifiez le clapet de retenue et le réinstallez.
Pression faible ou nulle.	La batterie est déchargée, l'interrupteur est en position "arrêt" ou l'embout est bloqué.	Chargez la batterie à fond, mettez l'interrupteur sur la position ON, dévissez la buse et enlevez les débris.

PROBLÈME	CAUSE POSSIBLE	SOLUTION
Le réservoir fuit au niveau de la connexion de la pompe.	Les joints sont endommagés.	Remplacez les joints endommagés
Le réservoir fuit au niveau de la pompe.	Le collier de serrage est desserré.	Serrez le collier de serrage.
Le réservoir fuit au niveau du raccord du tuyau.	Le collier de serrage est desserré ou endommagé.	Serrez le collier ou remplacez-le s'il est endommagé.
Le diaphragme fuit.	Le diaphragme est endommagé.	Remplacez le diaphragme.
La machine ne démarre pas.	La batterie n'est pas chargée.	Chargez la batterie en suivant les procédures du manuel de la batterie et du chargeur.
	La batterie est trop froide.	Retirez la batterie du pulvérisateur à dos. Placez la batterie sur le chargeur et laissez-la charger pendant 10 minutes ou lorsque le voyant de charge devient vert. Retirez du chargeur et installez dans le pulvérisateur à dos pour l'utilisation.

11 DONNÉES TECHNIQUES

Tension nominale	60V; Sans fil, alimenté par batterie
Pression maximale en livres par pouce carré	70 PSI (0.5 MPA)
Gallons évalués par minute	0.5 GPM (1.89 L/min)
Température maximale de l'eau à l'entrée	104 °C (40 °F)
Appareils de nettoyage	35 C.U.
Capacité	4 Gallons
Poids (sans batterie)	11.69 lb. (5,3 kg)
Mode Batterie	LB602 et autres séries BAC

Mode Charge	CAC801 et autres séries CAC
-------------	-----------------------------

FR

12 GARANTIE LIMITÉE



Greenworks garantit par la présente ce produit, à l'acheteur original avec preuve d'achat, pour une période de quatre (4) ans contre tout défaut de matériau, de pièces ou de main-d'œuvre. Greenworks, à sa propre discrétion, réparera ou remplacera toutes les pièces défectueuses, dans des conditions normales d'utilisation, sans frais pour le client. Cette garantie n'est valable que pour les appareils qui ont été utilisés à des fins personnelles, qui n'ont pas été loués à des fins industrielles ou commerciales et qui ont été entretenus conformément aux instructions du manuel du propriétaire fourni avec le produit neuf.

ARTICLES NON COUVERTS PAR LA GARANTIE :

1. Toute pièce qui est devenue inopérante en raison d'une mauvaise utilisation, d'une utilisation commerciale, d'un abus, d'une négligence, d'un accident, d'un entretien inapproprié ou d'une modification; ou
2. L'appareil, s'il n'a pas été utilisé et/ou entretenu conformément au manuel du propriétaire; ou
3. Usure normale;
4. Articles d'entretien courant tels que lubrifiants, affûtage des lames;
5. Détérioration normale du fini extérieur due à l'utilisation ou à l'exposition.

ASSISTANCE TÉLÉPHONIQUE :

Le service de garantie est accessible en appelant notre ligne d'assistance téléphonique sans frais, au 1-855-345-3934.

FRAIS DE TRANSPORT :

Les frais de transport pour le déplacement de tout équipement motorisé ou accessoire sont à la charge de l'acheteur. Il incombe à l'acheteur de payer les frais de transport pour toute pièce retournée pour remplacement en vertu de la présente garantie, à moins qu'un tel retour soit demandé par écrit par Greenworks.

Adresse aux États-Unis : **Adresse au Canada :**

Greenworks Tools

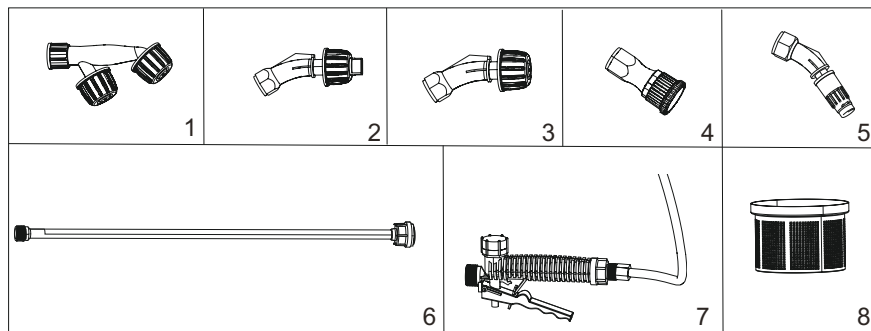
Greenworks Tools Canada
Inc.

P.O. Box 1238

P.O. Box 93095, Newmarket,
Ontario

Mooresville, NC 28115 L3Y 8K3

13 VUE ÉCLATÉE



No	No de pièce	Description	Qté.
1	C1103722-00	Embout de pulvérisation à double tête	1
2	C1103667-00	Embout de pulvérisation du ventilateur	1
3	C1103663-00	Embout de pulvérisation à tête unique	1
4	C1104975-00	Embout de pulvérisation à quatre trous	1
5	C1104999-00	Embout de pulvérisation réglable	1
6	C1103718-00	Lance du pistolet	1
7	C1103719-00	Poignée de la gâchette	1
8	C1103666-00	Crépine	1

1 Descripción.....	26	7.6 Ajuste del arnés.....	29
1.1 Finalidad.....	26	8 Funcionamiento.....	30
1.2 Perspectiva general del producto.....	26	8.1 Uso de la pistola pulverizadora.....	31
1.3 Lista de embalaje.....	26	8.2 Bloqueo del gatillo de la pistola pulverizadora.....	31
2 Advertencias generales de seguridad para fumigadores de mochila.....	26	8.3 Desbloqueo del gatillo de la pistola pulverizadora.....	31
3 Símbolos en el producto.....	27	8.4 Cambio de la punta de pulverización.....	32
4 Niveles de riesgo.....	28	8.5 Tipo de punta de pulverización.....	32
5 Reciclaje.....	28	8.6 Adición de solución.....	32
6 Propuesta 65.....	28	8.7 Puesta en marcha y parada de la máquina.....	33
7 Instalación.....	28	8.8 Pulverización sin bomba.....	33
7.1 Desembalaje de la máquina.....	28	9 Mantenimiento	33
7.2 Instalación de la pistola pulverizadora.....	29	10 Solución de problemas.....	33
7.3 Instalación de la tapa del depósito.....	29	11 Datos técnicos.....	34
7.4 Instalación de la batería.....	29	12 Garantía limitada.....	34
7.5 Retirada de la batería.....	29	13 Vista despiezada.....	35

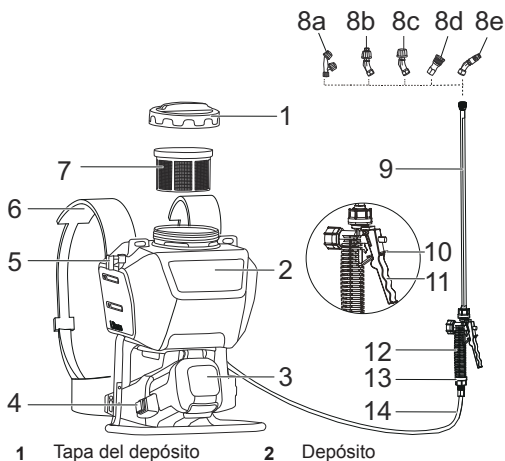
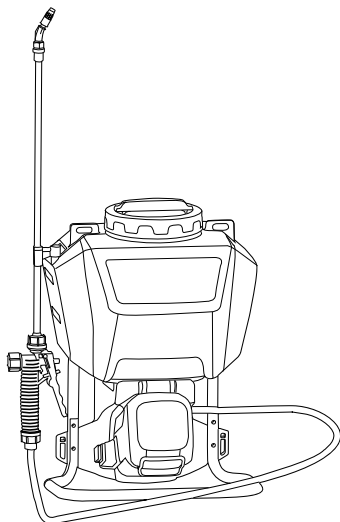
1 DESCRIPCIÓN

1.1 FINALIDAD

La máquina se utiliza para fumigar su terreno para el control de plantas invasoras y plagas. Al asumir esta tarea usted mismo, usted controla los herbicidas y pesticidas que utiliza en su terreno y alrededor de su casa.

Indicada solo para uso residencial, no apta para el uso profesional ni para el funcionamiento a temperaturas superiores a 32°F (0°C).

1.2 PERSPECTIVA GENERAL DEL PRODUCTO



- | | | | |
|----|--|----|---|
| 3 | Puerta de la batería | 8d | Punta de pulverización con cuatro orificios |
| 4 | Interruptor de encendido/apagado | 8e | Punta de pulverización ajustable |
| 5 | Almacenamiento de la varilla | 9 | Varilla de pistola |
| 6 | Mochila | 10 | Palanca de bloqueo |
| 7 | Filtro | 11 | Gatillo |
| 8a | Punta de pulverización de cabezal doble | 12 | Asa del gatillo |
| 8b | Punta de pulverización en abanico | 13 | Entrada de agua |
| 8c | Punta de pulverización de cabezal individual | 14 | Tubo flexible |

1.3 LISTA DE EMBALAJE

- Fumigador
- Puntas de pulverización
- Varilla de pistola pulverizadora
- Arnés de la mochila






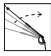

2 ADVERTENCIAS GENERALES DE SEGURIDAD PARA FUMIGADORES DE MOCHILA


- Lea todas las instrucciones antes de utilizar el producto.
- Para reducir el riesgo de lesiones, es necesaria una supervisión estrecha cuando se utiliza un producto cerca de niños.
- Debe saber cómo detener el producto y purgar la presión rápidamente. Familiarícese bien con los controles.
- Manténgase alerta – observe lo que está haciendo.
- No utilice el producto cuando esté cansado o bajo la influencia de alcohol o drogas.
- Mantenga alejadas a las personas de la superficie de trabajo.
- No se estire ni se suba sobre un soporte inestable. Mantenga en todo momento una buena postura y el equilibrio.
- Siga las instrucciones de mantenimiento especificadas en el manual.
- Riesgo de inyección o lesión – NO DIRIJA EL CHORRO DE DESCARGA A LAS PERSONAS.
- No entre en contacto ni interfiera con las piezas móviles, ni con los líquidos que se fumigan de la varilla.
- Utilice únicamente los accesorios recomendados o vendidos por el fabricante.

- Para reducir el riesgo de descarga eléctrica, no introduzca en agua ni otro líquido.
- No coloque ni almacene el fumigador de mochila donde pueda caerse o ser arrastrado a una bañera o fregadero.
- Sustituya las piezas dañadas o desgastadas por las piezas de repuesto que aparecen en la "Lista de repuestos".
- Lea todas las advertencias de seguridad e instrucciones. El incumplimiento de las advertencias e instrucciones puede provocar descargas eléctricas, incendios o lesiones graves.
- Evite el arranque accidental. Asegúrese de que el interruptor esté en la posición de apagado antes de conectar a la batería y al coger o transportar el aparato. El transporte del aparato con el dedo en el interruptor o la conexión de un aparato que tiene el interruptor activado fomenta los accidentes. Retire el dedo del interruptor de encendido/apagado antes de transportar o mover el fumigador de mochila.
- Desconecte la batería del aparato antes de realizar ajustes, cambiar accesorios o almacenarlo. Estas medidas de seguridad preventivas reducen el riesgo de que el aparato se ponga en marcha accidentalmente.
- Para su uso únicamente con la batería LB602 y otras series BAC.
- Para su uso únicamente con el cargador CAC801 y otras series CAC.
- Cuando la batería no esté en uso, manténgala alejada de otros objetos metálicos como clips, monedas, llaves, clavos, tornillos u otros objetos metálicos pequeños que puedan hacer una conexión entre los terminales. El cortocircuito de los terminales de la batería puede provocar quemaduras o un incendio.
- No utilice una batería o un aparato que haya sufrido daños o modificaciones. Las baterías dañadas o modificadas pueden exhibir un comportamiento impredecible que puede dar lugar a un incendio, una explosión o un riesgo de lesiones.
- No exponga una batería o un aparato al fuego ni a temperaturas excesivas. La exposición al fuego o a una temperatura superior a 265°F puede provocar una explosión.
- Siga todas las instrucciones de carga y no cargue la batería o el aparato fuera del intervalo de temperatura especificado en las instrucciones. La carga incorrecta o a temperaturas fuera del intervalo especificado puede dañar la batería y aumentar el riesgo de incendio.
- Solicite a un técnico de reparación cualificado que realice las tareas de servicio utilizando únicamente piezas de repuesto idénticas. Esto garantizará el mantenimiento de la seguridad del producto.
- No modifique ni intente reparar el aparato o la batería (según corresponda), excepto lo indicado en las instrucciones de uso y cuidado.

3 SÍMBOLOS EN EL PRODUCTO




En esta herramienta pueden utilizarse algunos de los siguientes símbolos. Le rogamos que los estudie y aprenda su significado. La interpretación correcta de estos símbolos le permitirá manejar la herramienta mejor y de manera más segura.

Símbolo	Explicación
V	Tensión
A	Corriente
Hz	Frecuencia (ciclos por segundo)
W	Potencia
/min	Revoluciones, carreras, velocidad de superficie, órbitas, etc., por minuto
	Tipo o una característica de corriente
	Precauciones que afectan a su seguridad.
	Para reducir el riesgo de lesiones, el usuario debe leer y entender el manual del operario antes de utilizar este producto.
	Lleve siempre gafas de seguridad o anteojos de seguridad con protectores laterales y, en caso necesario, un protector facial completo cuando utilice este producto.
	Para reducir el riesgo de inyección o lesión, nunca dirija un chorro de agua hacia personas o animales, ni coloque ninguna parte del cuerpo delante del chorro. Las fugas en las mangueras y los racores también pueden provocar lesiones por inyección. No sujete las mangueras ni los racores.
	Para reducir el riesgo de lesiones por retroceso, sujete firmemente la lanza con ambas manos cuando la máquina esté encendida.
	Si no se utiliza en condiciones secas y no se respetan prácticas seguras, pueden producirse descargas eléctricas.




Símbolo	Explicación
	El combustible y sus vapores son explosivos y pueden producir quemaduras graves o incluso la muerte.

4 NIVELES DE RIESGO

Las siguientes indicaciones y los significados explican los niveles de riesgo asociados a este producto.

SÍMBOLO	INDICACIÓN	SIGNIFICADO
	PELIGRO	Indica una situación de peligro inminente que, de no evitarse, provocará lesiones graves o incluso la muerte.
	ADVERTENCIA	Indica una situación de peligro potencial que, de no evitarse, podría provocar lesiones graves o incluso la muerte.
	PRECAUCIÓN	Indica una situación de peligro potencial que, de no evitarse, puede provocar lesiones leves o moderadas.
	PRECAUCIÓN	(Sin símbolo de alerta sobre seguridad) Indica una situación que puede provocar daños materiales.

5 RECICLAJE

	Recogida selectiva. Este producto no debe desecharse junto con la basura doméstica. Si fuera necesario sustituir la máquina, o si ya no la necesita, no la deseche junto con la basura doméstica.
	La recogida selectiva de máquinas y embalajes utilizados permite reciclarlos y volver a utilizarlos. El uso de materiales reciclados ayuda a evitar la contaminación medioambiental y disminuye la necesidad de usar materias primas.
	Al final de su vida útil, deseche las baterías de forma respetuosa con el medio ambiente. La batería contiene materiales peligrosos para usted y para el medio ambiente. Deberá retirar y desechar estos materiales de forma selectiva en un centro que acepte baterías de iones de litio.

6 PROPUESTA 65

▲ AVISO

Este producto contiene una sustancia química conocida en el estado de California como causante de cáncer, defectos de nacimiento u otros daños reproductivos. El polvo generado por el lijado eléctrico, el serrado, el esmerilado, la perforación y otras actividades de construcción contiene sustancias químicas que se sabe que son causantes de cáncer, defectos de nacimiento u otros daños reproductivos. Algunos ejemplos de estas sustancias químicas son:

- Plomo de pinturas con base de plomo;
- Sílice cristalina de ladrillos y cemento y otros productos de albañilería;
- Arsénico y cromo de la madera tratada químicamente.

El riesgo de exposición a estas sustancias químicas varía según la frecuencia con la que realice este tipo de trabajo. Para reducir su exposición a estas sustancias químicas, trabaje en una zona bien ventilada y trabaje con equipos de seguridad aprobados, como máscaras antipolvo, que estén especialmente diseñadas para filtrar partículas microscópicas.

7 INSTALACIÓN

7.1 DESEMBALAJE DE LA MÁQUINA

▲ AVISO

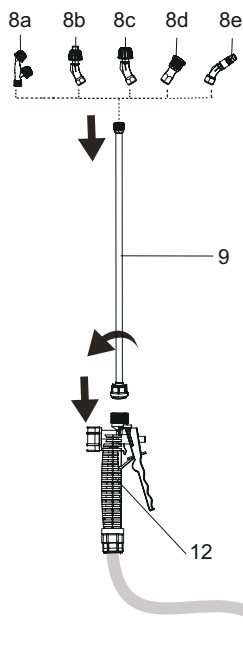
Asegúrese de montar correctamente la máquina antes del uso.

▲ AVISO

- Si las piezas de la máquina presentan daños, no utilice la máquina.
- Si no tiene todas las piezas, no utilice la máquina.
- Si faltan piezas o hay piezas dañadas, contacte con el centro de servicio.

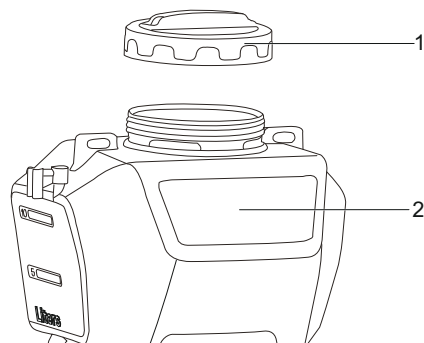
1. Abra el embalaje.
2. Lea la documentación que se proporciona en la caja.
3. Retire todas las piezas sin montar de la caja.
4. Retire la máquina de la caja.
5. Deseche la caja y el material de embalaje de conformidad con los reglamentos locales.

7.2 INSTALACIÓN DE LA PISTOLA PULVERIZADORA



1. Conecte la boquilla (8a - 8b) a la varilla (3), gire en sentido horario hasta que las pestañas se bloqueen en su posición para garantizar una conexión sin fugas.
2. Conecte la varilla (9) a la empuñadura de la pistola (12), gire en sentido horario hasta que las pestañas se bloqueen en su posición para garantizar una conexión sin fugas.

7.3 INSTALACIÓN DE LA TAPA DEL DEPÓSITO



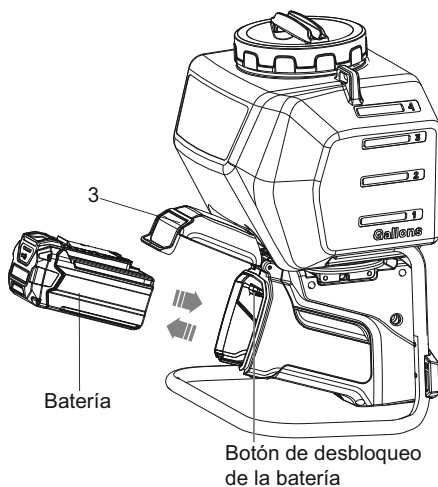
- Conecte la tapa del depósito (1) al depósito (2), gire en sentido horario hasta que las pestañas encajen en su posición.

▲ AVISO

¡No mueva el pulverizador llevando el asa de la tapa del tanque cuando el tanque esté lleno de solución! Levante la manija de la tapa solo cuando el tanque esté vacío. Se recomienda llevar arnés para transportar el pulverizador.

ES

7.4 INSTALACIÓN DE LA BATERÍA



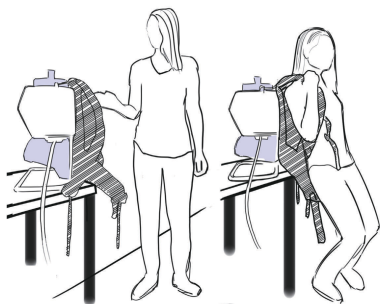
1. Abra la puerta de la batería (3).
2. Alinee las nervaduras de elevación de la batería con las ranuras del compartimento de la batería.
3. Introduzca la batería en el compartimento de la batería hasta que encaje en su posición.
4. Cuando escuche un clic, la batería está instalada.

7.5 RETIRADA DE LA BATERÍA

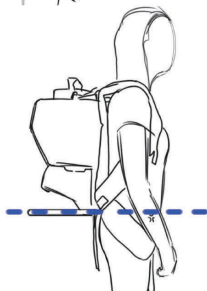
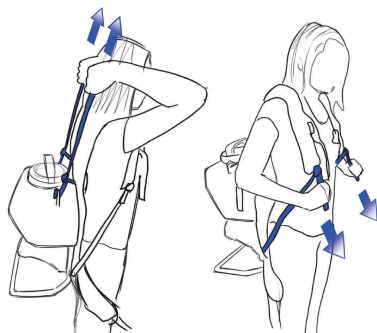
1. Abra la puerta de la batería.
2. Pulse y mantenga pulsado el botón de desbloqueo de la batería.
3. Retire la batería de la máquina.

7.6 AJUSTE DEL ARNÉS

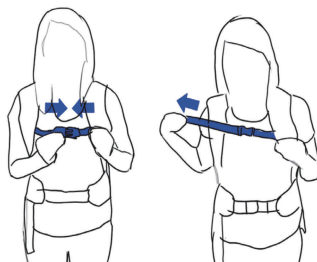
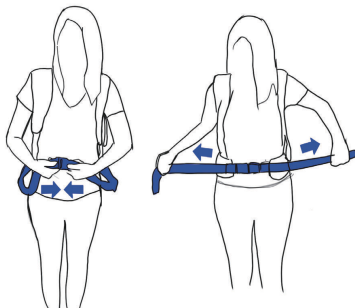
1. Coloque el fumigador sobre una superficie elevada.
2. Ponga el fumigador sobre su espalda sin ajustar.



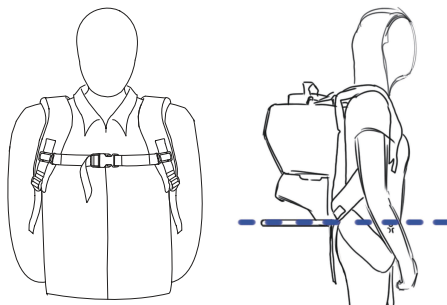
3. Apriete primero las correas superiores.
4. A continuación, apriete las correas inferiores para que el peso quede por encima de su cintura.



5. Apriete ambos lados del cinturón de la cintura hasta que el peso del fumigador esté sobre sus caderas.
6. Apriete la correa del pecho para mantener el peso cerca de la espalda.



7. Instale la almohadilla trasera contra su espalda firmemente y con seguridad.
8. El fumigador debe quedar por encima de la cintura y el depósito debe estar cerca de la espalda del usuario.

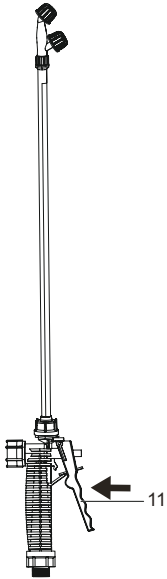


8 FUNCIONAMIENTO

▲ AVISO

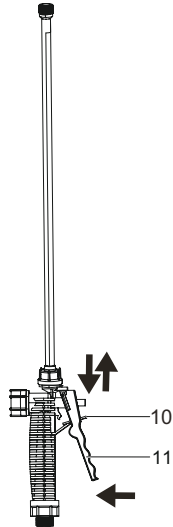
Asegúrese de que todas las conexiones estén apretadas y no tengan fugas antes del funcionamiento.

8.1 USO DE LA PISTOLA PULVERIZADORA



1. Apriete y mantenga apretado el gatillo de la pistola pulverizadora (11) para poner en marcha la máquina.
2. Suelte el gatillo de la pistola pulverizadora (11) para detener el flujo de agua por la punta de pulverización.

8.2 BLOQUEO DEL GATILLO DE LA PISTOLA PULVERIZADORA

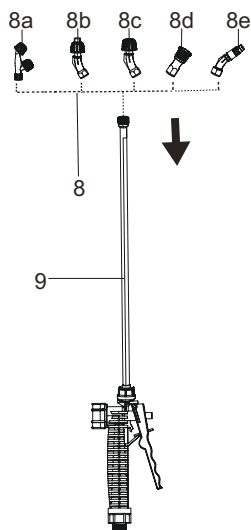


1. Apriete el gatillo (11) y empuje hacia delante el bloqueo de seguridad del gatillo (10) para bloquear el gatillo de la pistola.
2. Suelte el gatillo de la pistola pulverizadora (11) para detener el flujo de agua por la punta de pulverización.

8.3 DESBLOQUEO DEL GATILLO DE LA PISTOLA PULVERIZADORA

1. Tire hacia atrás del bloqueo de seguridad del gatillo (10) para desbloquear el gatillo de la pistola.

8.4 CAMBIO DE LA PUNTA DE PULVERIZACIÓN





1. Instale cualquiera de las puntas de pulverización (8a- 8e) en la varilla de pulverización (9).

▲ AVISO

Después de cambiar la punta de pulverización, si el ángulo de esta no es el adecuado, ajuste la unión entre la varilla de la pistola y el asa del gatillo y vuelva a apretarla.

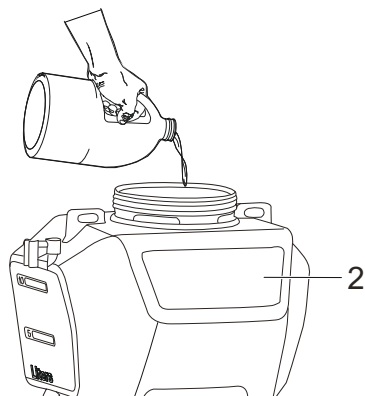


8.5 TIPO DE PUNTA DE PULVERIZACIÓN

Punta de pulverización	APLICACIÓN
	La punta de pulverización de cabezal doble pulveriza agua desde ambas puntas al mismo tiempo.
	La punta de pulverización en abanico, también conocida como punta de "abanico", crea la zona de pulverización más amplia.
	La punta de pulverización de cabezal individual ofrece la mayor versatilidad.
	La punta de pulverización con cuatro orificios cubre una amplia zona de pulverización y una fuerte presión.
	La punta de pulverización ajustable permite al usuario ajustar la punta a la técnica de pulverización deseada.

8.6 ADICIÓN DE SOLUCIÓN

1. Abra la tapa del depósito (2).
2. Vierta solución en el depósito (2).
3. Vuelva a colocar la tapa del depósito (2).



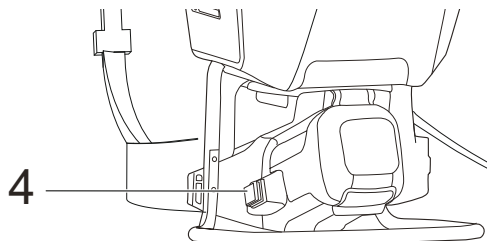
8.7 PUESTA EN MARCHA Y PARADA DE LA MÁQUINA

Para poner en marcha:

- Pulse el interruptor (4) para encender la máquina (I).

Para parar:

- Pulse el interruptor (4) para apagar la máquina (O).



8.8 PULVERIZACIÓN SIN BOMBA

El fumigador con alimentación a batería mantiene el fluido en ciclo continuo a través del depósito para permitir la pulverización sin bomba.

9 MANTENIMIENTO

▲ AVISO

Despresurice siempre el fumigador, elimine toda la solución química y limpie el fumigador antes de realizar reparaciones. Las piezas de repuesto pueden adquirirse en la tienda donde compró el fumigador. Para obtener una lista de piezas de repuesto, consulte <Piezas de repuesto>.

Limpie bien el depósito tras cada uso. Si queda solución de pulverización, elimínela adecuadamente y drene el depósito por completo. Siga las recomendaciones del fabricante del producto químico para la correcta eliminación de la solución. El bombeo hace que se tome aire y que se descargue el líquido restante. Bombée hasta que todo el líquido y el aire se hayan descargado por completo a través de la boquilla. Vuelva a llenar el depósito con unos cuantos litros de agua jabonosa (se recomienda un detergente suave para vajillas) y descargue como se ha indicado anteriormente. En caso necesario, repita este procedimiento varias veces para asegurarse de que el fumigador esté limpio. La distribución esporádica de pulverización se debe a una boquilla obstruida. En caso necesario, retire y limpie la boquilla.

Mantenimiento y almacenamiento

Tras el uso, el fumigador debe limpiarse adecuadamente y guardarse lejos de la luz solar directa para evitar daños por rayos UV. Antes de almacenar el fumigador durante el invierno, asegúrese de que todo el líquido se haya drenado por completo del depósito, los conductos y la cámara de aire. (Consulte las instrucciones de LIMPIEZA Y MANTENIMIENTO DEL FUMIGADOR que figuran más arriba). Inspeccione periódicamente la manguera y el depósito de la bomba para comprobar si hay agua, daños o fugas.

10 SOLUCIÓN DE PROBLEMAS

PROBLEMA	POSIBLE CAUSA	SOLUCIÓN
Fugas de líquido.	La tuerca puede estar suelta o la junta de goma está agrietada o dañada.	Apriete la tuerca o sustituya la junta y lubrique.
Fugas de líquido de la tapa.	La tapa no está bien enroscada o la junta está agrietada o dañada.	Apriete la tapa. Lubrique la junta, sustituya en caso necesario.
El depósito comienza a hundirse; la tapa del depósito no puede desenroscarse creando un vacío.	Los orificios de ventilación de la tapa del depósito se han obstruido.	Retire la tapa y con un alambre pequeño, desatasque los orificios. Limpie el tapón, compruebe la válvula. Lubrique la válvula de retención y vuelva a instalarla.

Limpieza y mantenimiento de la máquina

ES

PROBLEMA	POSIBLE CAUSA	SOLUCIÓN
Presión baja o ausencia de presión.	La batería está sin carga, el interruptor está en posición de apagado o la boquilla de la punta está atascada.	Cargue la batería al máximo, sitúe el interruptor en la posición de encendido, desensrosque la boquilla y retire los residuos.
Fugas del depósito en la conexión de la bomba.	Las juntas han sufrido daños.	Sustituya las juntas que hayan sufrido daños
Fugas del depósito en la bomba.	La abrazadera de manguera está suelta.	Apriete la abrazadera de manguera.
Fugas del depósito en la conexión de la manguera.	La abrazadera está suelta o ha sufrido daños.	Apriete la abrazadera o sustituya si ha sufrido daños.
Fugas en el diafragma.	El diafragma ha sufrido daños.	Sustituya el diafragma.
La máquina no se pone en marcha.	La batería no está cargada.	Cargue la batería siguiendo los procedimientos del manual de la batería y el cargador.
	La batería está demasiado fría.	Retire la batería del fumigador de mochila. Coloque la batería en el cargador y deje que se cargue durante 10 minutos o hasta que el piloto de carga cambie a verde. Retire del cargador e instale en el fumigador de mochila para su uso.

11 DATOS TÉCNICOS

Tensión nominal	60V; Inalámbrico, con funcionamiento a batería
Máx. presión libras por pulgada al cuadrado	70 PSI (0.5 MPA)
Galones nominales por minuto	0.5 GPM (1.89 L/min)
Temperatura máxima de agua de entrada	104 °F (40 °C)

Unidades de limpieza	35 C.U.
Capacidad	4 Galones
Peso (sin batería)	11.69 lbs. (5,3 kg)
Modo de batería	LB602 y otras series BAC
Modo de carga	CAC801 y otras series CAC

12 GARANTÍA LIMITADA



Por la presente Greenworks garantiza este producto, al comprador original con el comprobante de compra, durante un periodo de cuatro (4) años frente a defectos en materiales, piezas o mano de obra. A su entera discreción Greenworks reparará o sustituirá cualquiera y todas las piezas que resulten ser defectuosas, con un uso normal, sin coste alguno para el cliente. Esta garantía es válida únicamente para unidades que se hayan utilizado para uso personal que no han sido compradas o alquiladas para uso industrial/comercial y cuyo mantenimiento se ha realizado de acuerdo con las instrucciones del manual del propietario suministrado con el producto nuevo.

ARTÍCULOS NO CUBIERTOS POR LA GARANTÍA:

1. Cualquier pieza que no funcione debido a mal uso, uso comercial, abuso, negligencia, accidente, mantenimiento inadecuado o alteración; o
2. La unidad, si no ha sido utilizada o mantenida de acuerdo con el manual del propietario; o
3. Desgaste normal;
4. Artículos de mantenimiento de rutina tales como lubricantes, afilado de cuchillas;
5. Deterioro normal del acabado exterior debido al uso o la exposición.

LÍNEA DE ASISTENCIA TELEFÓNICA:

Puede contactar con el servicio de garantía llamando a nuestra línea de asistencia telefónica gratuita a 1-855-345-3934.

COSTES DE TRANSPORTE:

Los costes de transporte por el desplazamiento de cualquier unidad o accesorio de equipos eléctricos son responsabilidad del comprador. Es responsabilidad del comprador pagar los costes de transporte de cualquier pieza enviada para su sustitución bajo esta garantía, a

menos que dicha devolución sea solicitada por escrito por Greenworks.

Dirección en EE.UU.: **Dirección en Canadá:**

Greenworks Tools

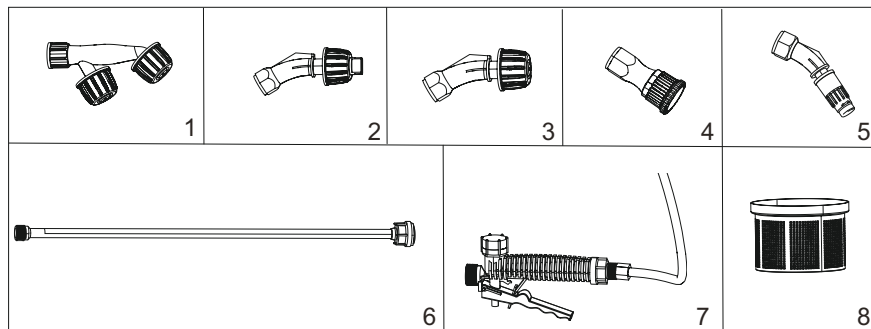
Greenworks Tools Canada,
Inc.

P.O. Box 1238

P.O. Box 93095, Newmarket,
Ontario

Mooresville, NC 28115 L3Y 8K3

13 VISTA DESPIEZADA



N.º	N.º pieza	Descripción	Cant.
1	C1103722-00	Punta de pulverización de cabezal doble	1
2	C1103667-00	Punta de pulverización en abanico	1
3	C1103663-00	Punta de pulverización de cabezal individual	1
4	C1104975-00	Punta de pulverización con cuatro orificios	1
5	C1104999-00	Punta de pulverización ajustable	1
6	C1103718-00	Varilla de pistola	1
7	C1103719-00	Asa del gatillo	1
8	C1103666-00	Filtro	1

www.greenworkstools.com



greenworks

P0804386-01 Rev B