

TECTUS® Glass

Flush glass doors in the limelight

NEW
TEG 415 2D
for glass thicknesses
12 - 14 mm

INDEX

TECTUS® Glass – The hinge system for glass doors

			Models from 60 to 100 kg
12	TEG 310 2D 60	60 kg	For flush glass doors made of ESG/VSG 8 - 10 mm
13	TEG 310 2D 80	80 kg	For flush glass doors made of ESG/VSG 8 - 10 mm
14	TEG 415 2D	100 kg	For flush glass doors made of ESG/VSG 12 - 14 mm

			Fastenings and receivers
15	TE 340 3D FZ		Fixing plate for glass doors with casing frames
16	TEG 310 2D SZ		Receiver for glass doors with steel frames

			Accessories
17	TEG 10		Hinge soundproof-set for TEG 310 2D and TEG 415 2D

KEEP CLOSED – The latching system for glass and timber doors

			KCH - KEEP CLOSED Handle
18	KCH 1200		Handle for glass and timber doors
19	KCH 1700		Handle for glass and timber doors

			KCM - KEEP CLOSED Magnet
			Closing magnets
20	KCM 50		Closing magnet for a contactless and silent closing process of glass and timber doors
21	KCM 50/50		Two coordinated closing magnets for an improved contactless and silent closing process of timber doors
			Magnetic plates
22	KCM 50/G		Magnetic plate for glass doors
23	KCM 50/H		Magnetic plate for rebated and unrebated timber doors on block frames
24	KCM 50/H FZ		Magnetic plate for rebated and unrebated timber doors with casing frames

			Fastenings
25	KCM 50 FZ		Fixing plate for closing magnet on casing frames

			Accessories
26	KCM 01		Locking system for the passive leaf of glass doors with floor socket and stop at the active leaf
27	Adhesive kit KCM		For use with KCM 50/G
27	Cleaning cloth		For cleaning adhesive and clamping surfaces

28 **Assembly**

31 Service

TECTUS GLASS – MAXIMUM TRANSPARENCY AND FUNCTIONALITY

With the TECTUS Glass hardware system, SIMONSWERK has developed an attractive and functional all-round solution for the flush installation of glass doors. Glass door leaf, frame, hinge and latching system all lie in the same plane – the best prerequisite for minimalist design combined with maximum transparency. It means that generous glazing, used for example in offices or private homes to provide acoustic protection while offering a full view in and through, can maintain their aesthetic quality.



TECTUS GLASS – FLUSH HARDWARE SYSTEM FOR GLASS DOORS

THE TECTUS GLASS HARDWARE SYSTEM

The flush surface of the glass door leaf, frame, hinge and latching system create the perfect aesthetic design. The entire door displays a clear and consistent design. The TECTUS Glass full door hardware system – consisting of the TECTUS hinge system, the contactless and silent magnetic closure and coordinated, attractively shaped handle variants – enables the realisation of contemporary interior design concepts.

› THE HINGE SYSTEM

The TEG 310 2D and TEG 415 2D hinge systems give glass doors an unprecedented transparency and lightness. And its delicate appearance does not rule out a high load capacity. Its unique material components and clamping technique mean that the hinge systems can support up to 100 kg per pair and guarantee a perfect door fit that's made to last.

› THE MAGNETIC CLOSURE

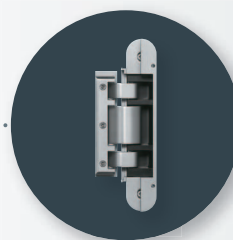
The KCM 50 closing magnet paired with the KCM 50/G magnetic plate on the door itself make sure the door closes silently and without contact in a process that can be individually tailored to produce the desired closing behaviour.

› THE HANDLES

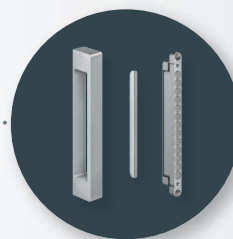
The handle variants are matched in shape and colour to the hinge system TECTUS Glass and are ergonomically designed for comfortable handling. There is also the option of an integrated locking mechanism, whose operation is completely intuitive.

PRODUCT FEATURES

- › glass door leaf, frame, hinge and latching system all lie in the same plane
 - › interior fittings for high-quality residential and commercial projects
 - › tightly closing and sound insulating
 - › load capacity of up to 80 kg for dimensions of approx. 10 x 1300 x 2500 mm
 - › load capacity of up to 100 kg for dimensions of approx. 12 x 1300 x 2500 mm
 - › for timber, steel and aluminium frames
 - › opening angle up to 180°
-



**The hinge system
TECTUS Glass**
enables the flush
installation of
door and frame.



**The KEEP CLOSED
magnetic latching
system**
ensures maximum
transparency
with its reduced
components.

The TECTUS Glass hardware system



Hinge system
TEG 310 2D
TEG 415 2D



Handle
KCH 1700



Magnetic plate
KCM 50/G



Closing magnet
KCM 50

TECTUS GLASS – ELEGANT DETAILS AND TECHNICAL PRECISION

THE HINGE SYSTEM TECTUS GLASS

Minimalist hinge dimensions ensure maximum transparency for glass doors – at the same time as providing a load capacity of up to 100 kg per pair. This corresponds to a glass door with dimensions of approx. 12 x 1300 x 2500 mm.

The TECTUS Glass hinge system can be used for ESG/VSG glass thicknesses of 8 - 10-mm (TEG 310 2D) and for ESG/VSG glass thicknesses of 12 - 14 mm (TEG 415 2D). Since no glass machining is required on the door when using TECTUS Glass, the glass doors can be used both right/left and top/bottom.

THE HINGE BODY

The cast stainless steel receiver supports the door leaf and ensures the glass pane sits perfectly and securely in place. The solid hinge kinematics ensure reliable and durable functionality. This has been tested in performance tests by IFT Rosenheim, Germany. The correct door position is easily and flexibly set thanks to the floating clamping mechanism. It is then fastened securely in place by tightening the clamping screws. In addition to this, the lateral adjustment in the hinge is easy to regulate to ensure uniform clearance to the frame.

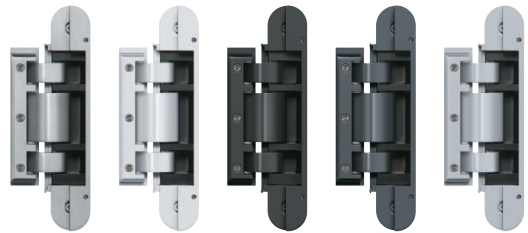
PRODUCT FEATURES

- › load capacity of up to 100 kg
- › stable hinge kinematics
- › hinge body made of die cast stainless steel
- › tested suitability for heavy-duty use
- › quick and easy installation with no glass machining
- › performance tested by IFT, Rosenheim

Available options

- › Load capacity up to 60 kg – TEG 310 2D 60
- › Load capacity up to 80 kg – TEG 310 2D 80
- › Load capacity up to 100 kg - TEG 415 2D

Finish options – hinge system



For details see product pages



Hinge system TEG 310 2D/TEG 415 2D - closed



NEW

TEG 415 2D
up to 100 kg

KEEP CLOSED – ELEGANT CLOSURE COMPONENTS COMPLETE THE HARDWARE SYSTEM

THE MAGNETIC LATCHING SYSTEM

KEEP CLOSED, the innovative, zero-current magnetic closure from SIMONSWERK, offers an intelligent alternative to a conventional latching mechanism. Comprising of a closing magnet, magnetic plate, and coordinating handle, this impressive hardware system with its minimalist design also offers exceptional ease of use.

› THE CLOSING MAGNET

The KCM 50 closing magnet in the frame works silently and without contact or current. The durable, reliable closure can be customised to satisfy individual requirements

› THE MAGNETIC PLATE

The KCM 50/G magnetic plate is permanently bonded to the main closing edge of the glass door, where it is barely visible.

› THE HANDLE

The KCH 1700 and KCH 1200 handles add the perfect finishing touch to the appearance of the glass door. The handle is attached simply and securely by means of a positioning template and the adhesive strip already on the handle, so no glass machining is required.

PRODUCT FEATURES

- › silent, contactless, zero current
- › permanently wear-free function
- › quick and easy installation with no glass machining
- › choice of handles finishes matched to the hinge system

Magnetic closure



Handle

KCH 1700 KCH 1200

Magnetic plate Closing magnet

KCM 50/G KCM 50

Available finishes – handle



For details see product pages



Magnetic closure with handle options

THE CLOSING MAGNET

KCM 50

THE MAGNETIC PLATE

KCM 50/G

THE HANDLE

KCH 1700



KEEP CLOSED – FOR TIMBER INTERIOR DOORS

SIMONSWERK developed its magnetic closure with the specifications for use with timber interior doors in mind. Current-free, silent, low wear and reliable, its technical features alone are impressive in every respect. But the most striking aspect of the magnetic closure is the unprecedented ease of use when opening and closing.

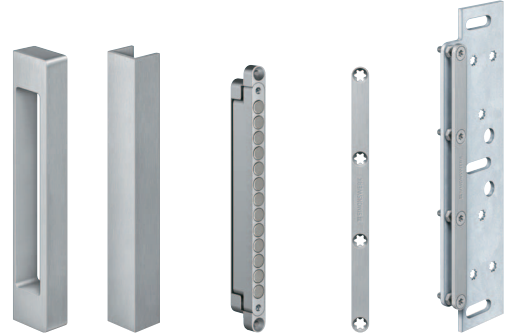
SILENT OPENING AND CLOSING

It has never been so easy to open and close timber interior doors without making a sound. Without the usual “push-pull-slide” motion, doors can be opened silently and ergonomically, with minimal effort, too. The door is held in the closed position without the need for direct contact with the patented closing magnet. The holding power can be individually adjusted and holds the door securely in its end position.

GROUNDBREAKING INTERACTION

Combined with the KCM 50/H magnetic plate, the KCM 50 closing magnet is the perfect choice for timber block frames and casing frames and can be used with both rebated and flush doors. And multiple magnets can be used for extra-tall doors. The elegant KCH 1700 and KCH 1200 handles do not require the wood to be milled. The handle is attached simply, solidly and securely by means of a positioning template and the adhesive strip already on the handle.

Magnetic latching system for timber doors



Handle

KCH 1700 KCH 1200

Closing magnet

KCM 50

Magnetic plate

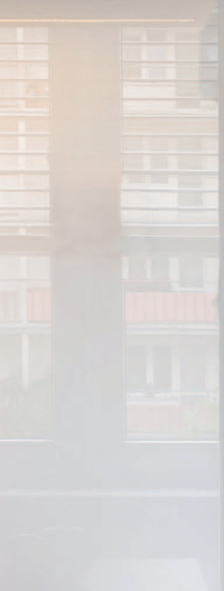
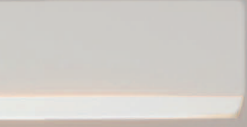
KCM 50/H KCM 50/H FZ

Available finishes – handle



For details see product pages





TECTUS®

TEG 310 2D 60

for flush glass doors made of ESG/VSG 8 - 10 mm

hinge up to 60 kg

Product features

- for flush glass doors
- for ESG/VSG (2 x ESG + PVB interlayer) glass thicknesses 8 - 10 mm
- tested for interior rooms up to 50 °C ambient temperature
- without drilling the door leaf
- for timber, steel and aluminium frames
- continuous side adjustment (+ 3.0/- 2.0 mm)
- continuous height adjustment with additional fine tune adjustment (+/- 1.0 mm)
- maintenance-free slide bearings

Technical details

load capacity	i two hinges per door (1x2 m)	60.0 kg
overall length		160.0 mm
width (frame part)		28.0 mm
cutter diameter		24.0 mm
opening angle		180°
rebate width		11 - 15 mm

Finishes

Satin Stainless Steel (040), RAL 9016 Matte Traffic White (057), Matte Pure Grey/NCS S 8000-N (301), RAL 9005 Matte Black (107), Satin Chrome Look (F1) (124)

Combination

receiver	casing frame	TE 340 3D FZ
	steel frame	TEG 310 2D SZ

Installation tools

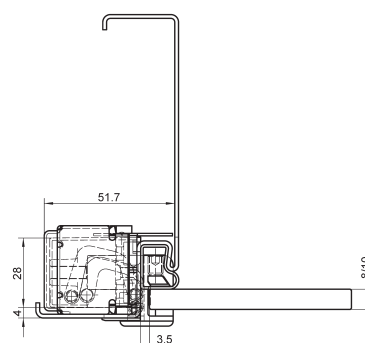
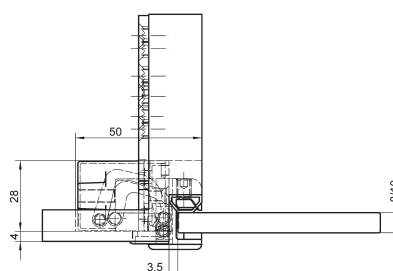
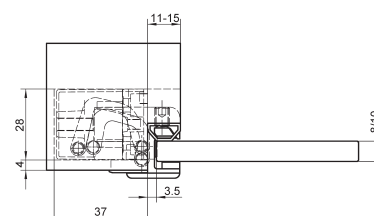
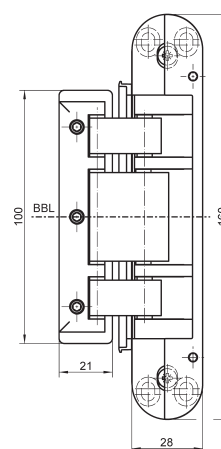
jig		universal milling frame
step 1	template	No. 5 251145 5
step 2	template	No. 5 251146 5
step 3	template	No. 5 251147 5

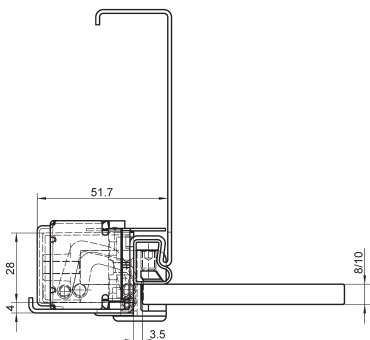
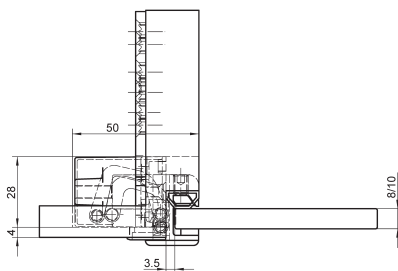
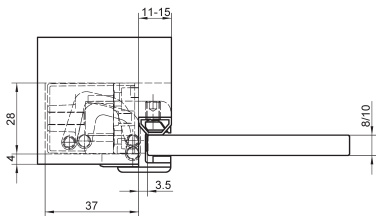
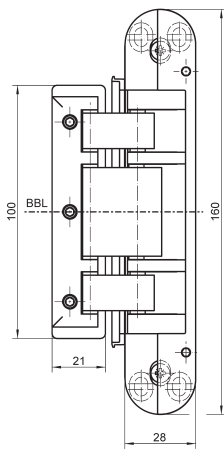
Detailed information in our PRODUCTSELECTOR at www.simonswerk.com

Note

i The load capacity mentioned above refers to the use of two hinges per door leaf (1x2 m).

With an opening position of 180° the door may have to be fixed additionally.





TEG 310 2D 80

for flush glass doors made of ESG/VSG 8 - 10 mm

hinge		up to 80 kg
-------	--	-------------

Product features

- for flush glass doors
- for ESG/VSG (2 x ESG + PVB interlayer) glass thicknesses 8 - 10 mm
- tested for interior rooms up to 50 °C ambient temperature
- without drilling the door leaf
- for timber, steel and aluminium frames
- continuous side adjustment (+ 3.0/- 2.0 mm)
- continuous height adjustment with additional fine tune adjustment (+/- 1.0 mm)
- maintenance-free slide bearings

Technical details

load capacity	i two hinges per door (1x2 m)	80.0 kg
overall length		160.0 mm
width (frame part)		28.0 mm
cutter diameter		24.0 mm
opening angle		180°
rebate width		11 - 15 mm

Finishes

Satin Stainless Steel (040), RAL 9016 Matte Traffic White (057), Matte Pure Grey/NCS S 8000-N (301), RAL 9005 Matte Black (107), Satin Chrome Look (F1) (124)

Combination

receiver	casing frame	TE 340 3D FZ
	steel frame	TEG 310 2D SZ

Installation tools

jig		universal milling frame
step 1	template	No. 5 251145 5
step 2	template	No. 5 251146 5
step 3	template	No. 5 251147 5

Detailed information in our PRODUCTSELECTOR at www.simonswerk.com

Note

i The load capacity mentioned above refers to the use of two hinges per door leaf (1x2 m).

With an opening position of 180° the door may have to be fixed additionally.

TECTUS®

TEG 415 2D

for flush glass doors made of ESG/VSG 12 - 14 mm

hinge up to 100 kg

Product features

- for flush glass doors
- for ESG/VSG (2 x ESG + PVB interlayer) glass thicknesses 12 - 14 mm
- tested for interior rooms up to 50 °C ambient temperature
- without drilling the door leaf
- for timber, steel and aluminium frames
- continuous side adjustment (+ 3.0/- 2.0 mm)
- continuous height adjustment with additional fine tune adjustment (+/- 1.0 mm)
- maintenance-free slide bearings

Technical details

load capacity	i two hinges per door (1x2 m)	100.0 kg
overall length		160.0 mm
width (frame part)		28.0 mm
cutter diameter		24.0 mm
opening angle		180°
rebate width		11 - 15 mm

Finishes

Satin Stainless Steel (040), RAL 9016 Matte Traffic White (057), Matte Pure Grey/NCS S 8000-N (301), RAL 9005 Matte Black (107), Satin Chrome Look (F1) (124)

Combination

receiver	casing frame	TE 340 3D FZ
	steel frame	TEG 310 2D SZ
accessories	gasket	TEG 10

Installation tools

jig		universal milling frame
step 1	template	No. 5 251145 5
step 2	template	No. 5 251146 5
step 3	template	No. 5 251147 5

Detailed information in our PRODUCTSELECTOR at www.simonswerk.com

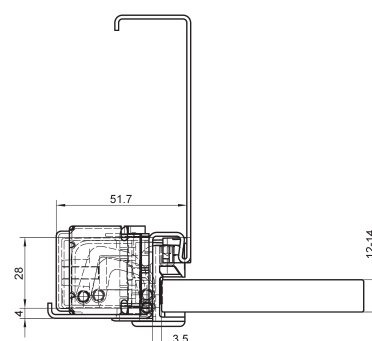
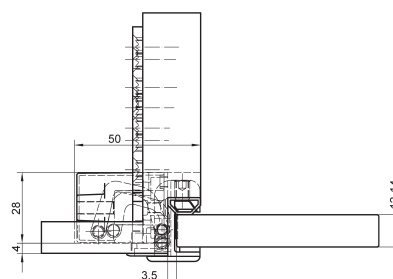
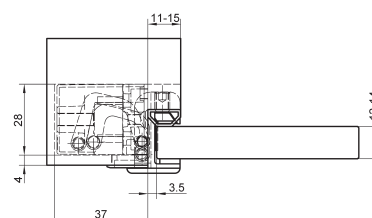
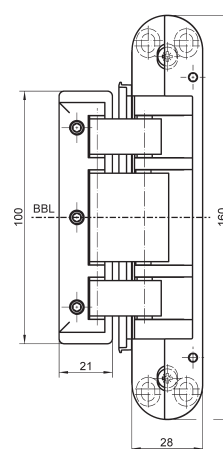
Note

i The load capacity mentioned above refers to the use of two hinges per door leaf (1x2 m).

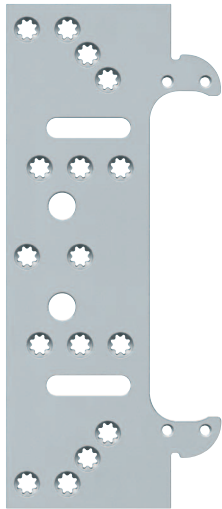
When using laminated safety glass (VSG), both glasses must be made of single-pane safety glass (ESG).

With an opening position of 180° the door may have to be fixed additionally.

NEW



TECTUS®



Fixing plate TE 340 3D FZ

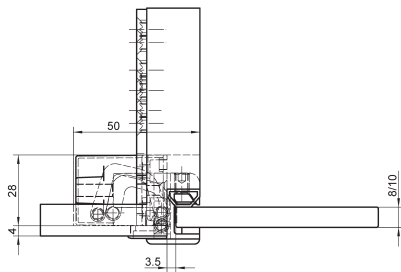
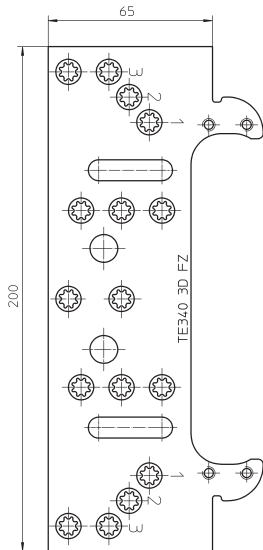
fixing plate for glass doors on casing frames

receiver		casing frame
----------	--	--------------

Finishes
blue galvanized (010)

Combination	
hinge	TEG 310 2D 60 TEG 310 2D 80 TEG 415 2D

Note
Delivery includes packers for casing thicknesses of 22–28 mm.



TECTUS®

Receiver TEG 310 2D SZ

for glass doors on steel frames

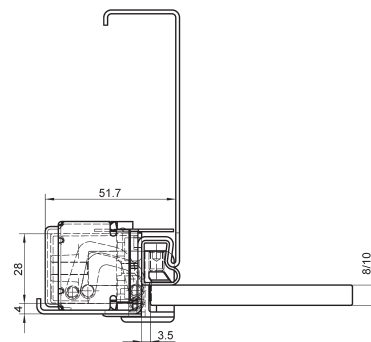
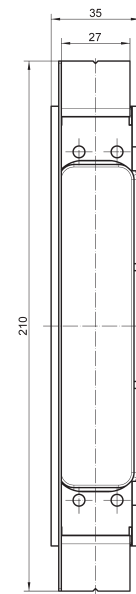
receiver		steel frame
----------	--	-------------

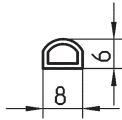
Finishes

blue galvanized (010)

Combination

hinge	TEG 310 2D 60
	TEG 310 2D 80
	TEG 415 2D





Gasket TEG 10

hinge soundproof-set for TEG 310 2D and TEG 415 2D

accessories		gasket
--------------------	--	---------------

Combination

hinge	TEG 310 2D 60
	TEG 310 2D 80
	TEG 415 2D

Note

The gasket is supplied in 2 pieces, sufficient for 2 hinges.

KEEP CLOSED

KCH 1200

handle for glass and timber doors

handle

Product features

- for glass and timber doors
- without drilling the door leaf
- self-adhesive fixing

Technical details

overall length	200.0 mm
width	30.0 mm
depth	35.0 mm

Finishes

Stainless Steel Effect (130)

Combination

magnetic closure	KCM 50
	KCM 50/50
	KCM 50/G
	KCM 50/H
	KCM 50/H FZ

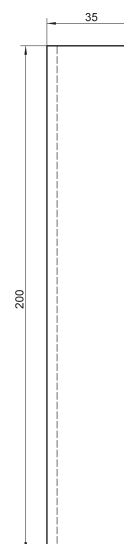
Note

Particularly suitable for use on glass doors in combination with TEG 310 2D and TEG 415 2D.

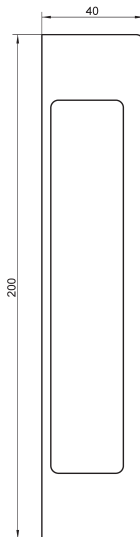
Set consisting of 2 handles.

An adhesive tape for permanent fixing is applied at the factory.

Delivery includes a positioning template.



KEEP CLOSED



KCH 1700

handle for glass and timber doors

handle

Product features

- for glass and timber doors
- without drilling the door leaf
- self-adhesive fixing

Technical details

overall length	200.0 mm
width	26.0 mm
height	40.0 mm

Finishes

Stainless Steel Effect (130)), RAL 9016 Matte Traffic White (057), Matte Pure Grey/NCS S 8000-N (301), RAL 9005 Matte Black (107), Satin Chrome Look (F1) (124)

Combination

magnetic closure	KCM 50
	KCM 50/50
	KCM 50/G
	KCM 50/H
	KCM 50/H FZ

Note

Particularly suitable for use on glass doors in combination with TEG 310 2D and TEG 415 2D.

Set consisting of 2 handles.

An adhesive tape for permanent fixing is applied at the factory.

Delivery includes a positioning template.

KEEP CLOSED

KCM 50

closing magnet for a contactless and silent closing process of glass and timber doors

magnetic closure		closing magnet
------------------	--	----------------

Product features

- continuous adjustable retention force up to 50 N
- for use in timber, steel and aluminium frames

Technical details

overall length	195.0 mm
width	13.0 mm
cutter diameter	12.0 mm

Finishes

Stainless Steel Effect (130)

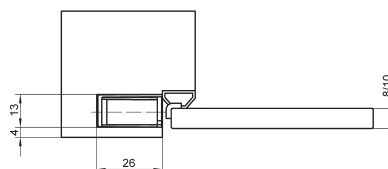
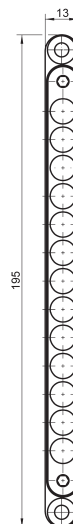
Combination

receiver	casing frame	KCM 50 FZ
magnetic closure		KCM 50/G
		KCM 50/H
		KCM 50/H FZ
handle		KCH 1200
		KCH 1700

Installation tools

jig		universal milling frame
step 1	template	No. 5 251148 5
step 2	template	No. 5 251149 5

Detailed information in our PRODUCTSELECTOR at www.simonswerk.com



KEEP CLOSED



KCM 50/50

two coordinated closing magnets for an improved contactless and silent closing process of timber doors

magnetic closure		closing magnet
-------------------------	--	-----------------------

Product features

- increased closing power means the two magnets can be further apart
- continuous adjustable retention force up to 120 N
- for use in timber, steel and aluminium frames

Technical details

overall length	195.0 mm
width	13.0 mm
cutter diameter	12.0 mm

Finishes

Stainless Steel Effect (130)

Combination

receiver	casing frame	KCM 50 FZ
handle		KCH 1200 KCH 1700

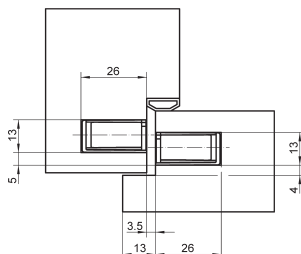
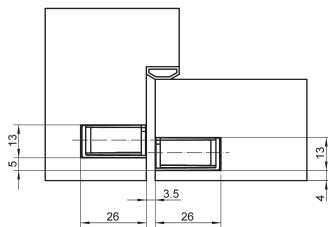
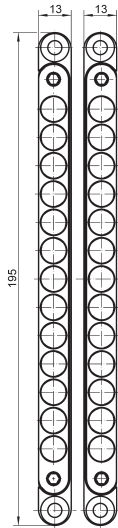
Installation tools

jig		universal milling frame
step 1	template	No. 5 251148 5
step 2	template	No. 5 251149 5

Detailed information in our PRODUCTSELECTOR at www.simonswerk.com

Note

The offset arrangement of the magnets provides the necessary seal pressure for the door.



KEEP CLOSED

KCM 50/G

magnetic plate for glass doors

magnetic closure

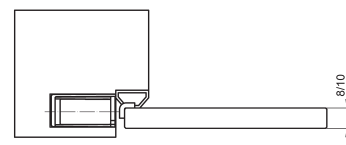
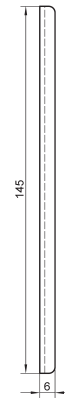
magnetic plate

Finishes

Satin Stainless Steel (040)

Combination

magnetic closure	KCM 50
handle	KCH 1200 KCH 1700
accessories	adhesive kit KCM



KEEP CLOSED



KCM 50/H

magnetic plate for rebated and unrebated timber doors on block frames

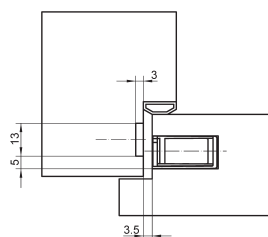
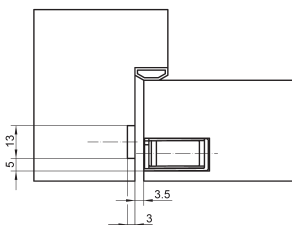
magnetic closure	block frame	magnetic plate
-------------------------	--------------------	-----------------------

Finishes

Satin Stainless Steel (040)

Combination

magnetic closure	KCM 50
handle	KCH 1200 KCH 1700



KEEP CLOSED

KCM 50/H FZ

magnetic plate for rebated and unrebated timber doors with casing frames

magnetic closure	casing frame	magnetic plate
------------------	--------------	----------------

Product features

- infinite adjustment for different casing frame constructions

Finishes

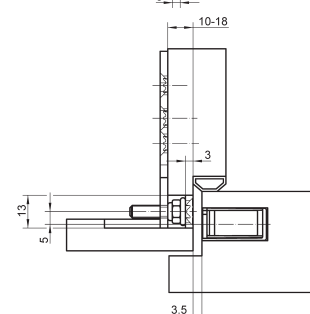
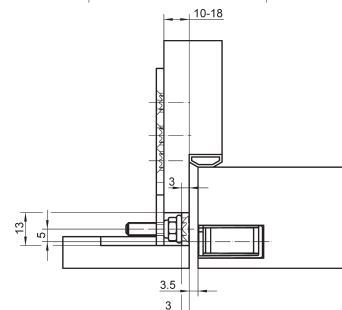
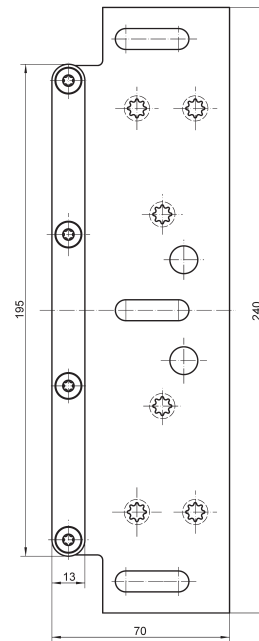
Satin Stainless Steel (040)

Combination

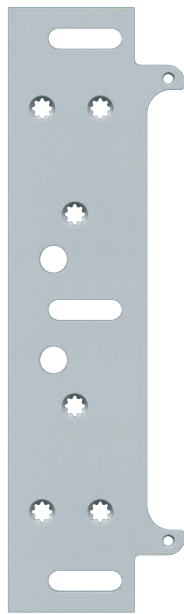
magnetic closure	KCM 50
handle	KCH 1200 KCH 1700

Note

In order to prevent warpage of the frame by the magnetic force, a sufficient mechanical fixing must be provided.



KEEP CLOSED



KCM 50 FZ

fixing plate for closing magnet on casing frames

receiver		casing frame
----------	--	--------------

Finishes

blue galvanized (010)

Combination

magnetic closure

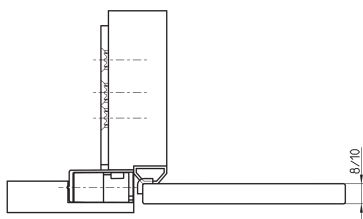
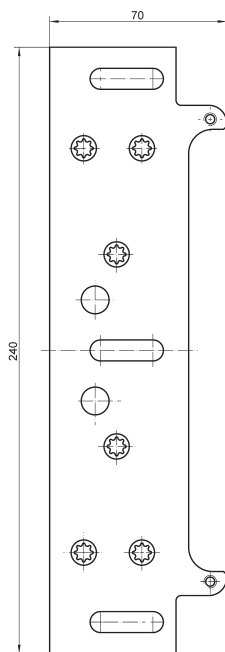
KCM 50

KCM 50/50

Note

In order to prevent warpage of the frame by the magnetic force, a sufficient mechanical fixing must be provided.

Delivery includes packers for casing thicknesses of 22–28 mm.



ACCESSORIES

KCM 01

locking system for the passive leaf of glass doors with floor socket and stop at the active leaf

accessories

Product features

- for ESG/VSG (2 x ESG + PVB interlayer) glass thicknesses 8-10 mm
- clamp fitting, without drilling the glass

Technical details

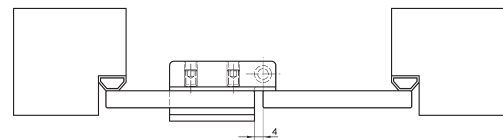
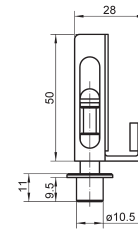
overall length	50.0 mm
width	50.0 mm

Finishes

Stainless Steel Look (126), RAL 9005 Matte Black (107)

Note

Please consider DIN reference.



ACCESSORIES



Adhesive kit KCM

for fixing KCM 50/G

accessories

Combination

magnetic closure

KCM 50/G

Note

The amount of adhesive is sufficient for at least 10 magnetic plates.

Cleaning cloth

for cleaning adhesive and clamping surfaces

accessories

Combination

hinge

TEG 310 2D 60

TEG 310 2D 80

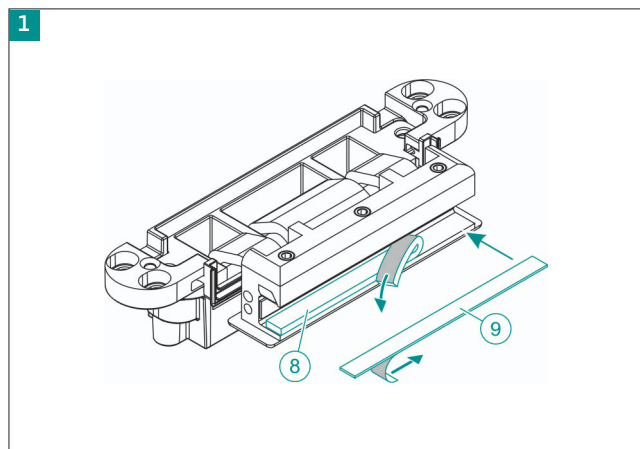
TEG 415 2D

magnetic closure

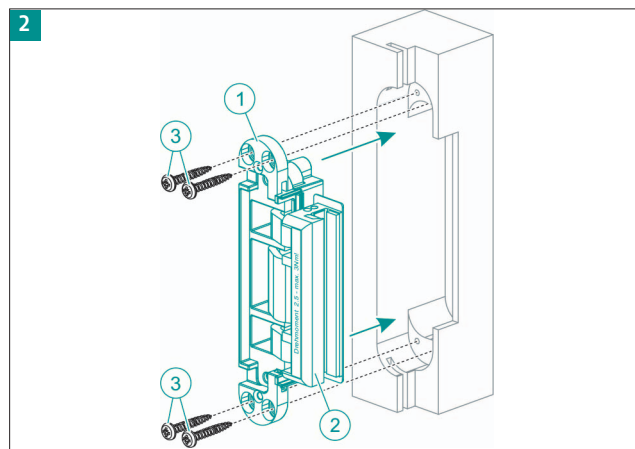
KCM 50/G

ASSEMBLY

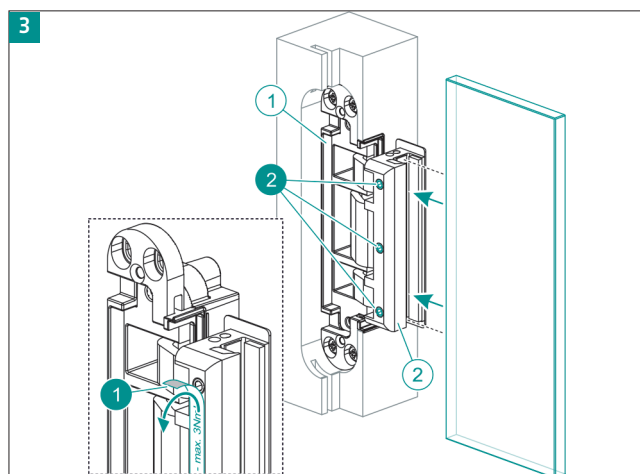
TEG 310 2D



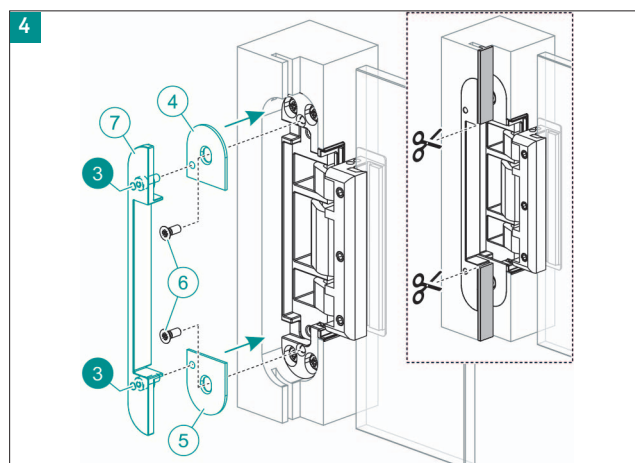
The hinge is pre-assembled for 8 mm thick door leaves. For 10 mm thick door leaves, remove the intermediate layer ⑧ without leaving any residue and glue in the intermediate layer ⑨.



Place the hinge frame part ① in the door frame, pre-drill the door frame and fasten the hinge frame part with the four screws ③ (4.5x30 mm).



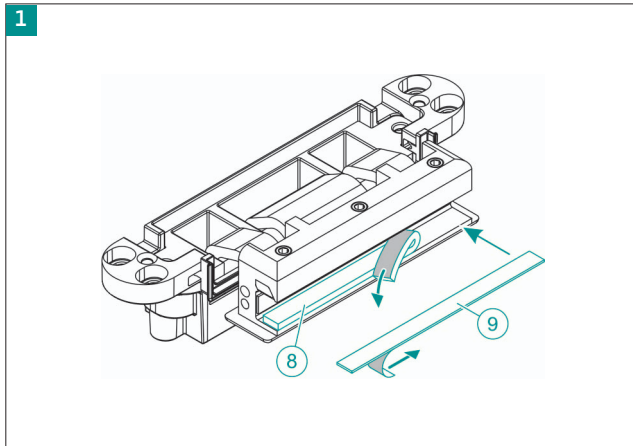
Remove the sticker ①. The clamping area must be clean and free of grease. Feed the door leaf into the hinge frame part ② as far as it will go, align in height and tighten with the three screws ② (4.5 to 5 Nm). Make sure there is sufficient floor clearance!



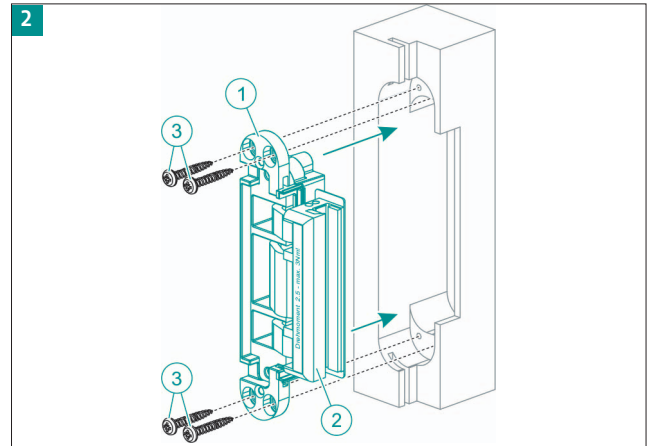
Fasten the cover plates ④ and ⑤ to the hinge with the screws ⑥. Fasten the rebate cover ⑦ with the two screws ③ flush to the frame on the cover plates. Cut the door seal to size.

ASSEMBLY

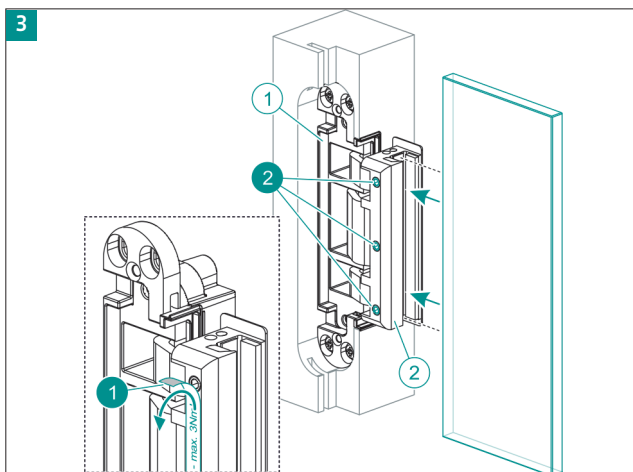
TEG 415 2D



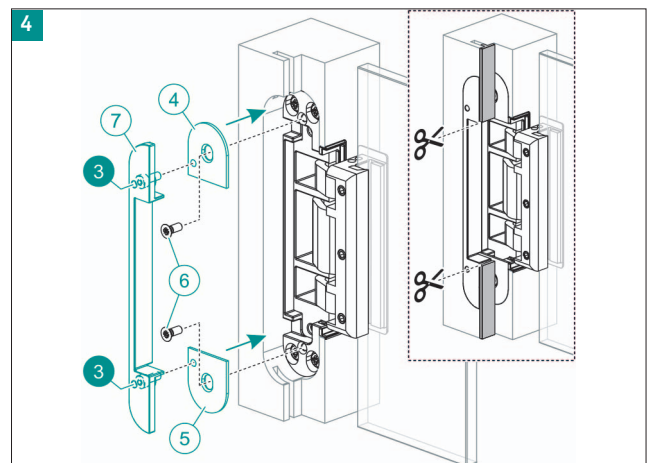
The hinge is pre-assembled for 8 mm thick door leaves. For 10 mm thick door leaves, remove the intermediate layer ⑧ without leaving any residue and glue in the intermediate layer ⑨.



Place the hinge frame part ① in the door frame, pre-drill the door frame and fasten the hinge frame part with the four screws ③ (4.5x30 mm).



Remove the sticker ①. The clamping area must be clean and free of grease. Feed the door leaf into the hinge frame part ② as far as it will go, align in height and tighten with the three screws ② (4.5 to 5 Nm). Make sure there is sufficient floor clearance!



Fasten the cover plates ④ and ⑤ to the hinge with the screws ⑥. Fasten the rebate cover ⑦ with the two screws ③ flush to the frame on the cover plates. Cut the door seal to size.

ADJUSTMENT

TEG 310 2D/TEG 415 2D

Two-dimensionally, continuously adjustable

side	+ 3.0 / - 2.0 mm
height	+/- 1.0 mm

Side adjustment

- adjust the adjusting spindles evenly with an Allen wrench

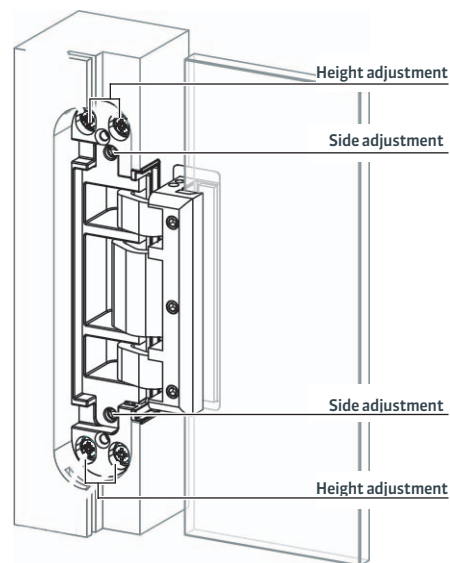
Height adjustment

- position wedges under the door
- slightly loosen the clamping screws
- move the door leaf into the correct position
- firmly retighten the clamping screws

Note

A further height adjustment is possible by repositioning the door leaf in the clamp.

All adjustments to be conducted by means of a 4 mm Allen wrench.



SERVICE – COMPREHENSIVE EXPERTISE FOR YOUR DAILY WORK

We are happy to provide you with all the documentation you need to calculate which is the most suitable hinge system for your requirements. Please contact us: we would be delighted to work with you to choose the best solution – from high-quality standard sets right up to the most complex solutions.

Please visit our home page for any information not included in this brochure. You will find it easy to navigate through our user-friendly website to arrive at the detailed, comprehensive solutions.

VISIT OUR PRODUCTSELECTOR

Whether you are a manufacturer, trade partner or designer, at www.simonswerk.com you can find precise, detailed product descriptions that will help you to choose the most suitable hinge systems.




CONTAINS


TEG 310 2D	KCM 50
TEG 415 2D	KCM 50/50
KCH 1200	KCM 50/H
KCH 1700	KCM 50/H FZ

PLEASE VISIT THE PRODUCTSELECTOR AT
www.simonswerk.com

SIMONSWERK GmbH

Bosfelder Weg 5
33378 Rheda-Wiedenbrück
Germany

 +49 5242/413 - 0

 +49 5242/413 - 260

info@simonswerk.de
www.simonswerk.com

