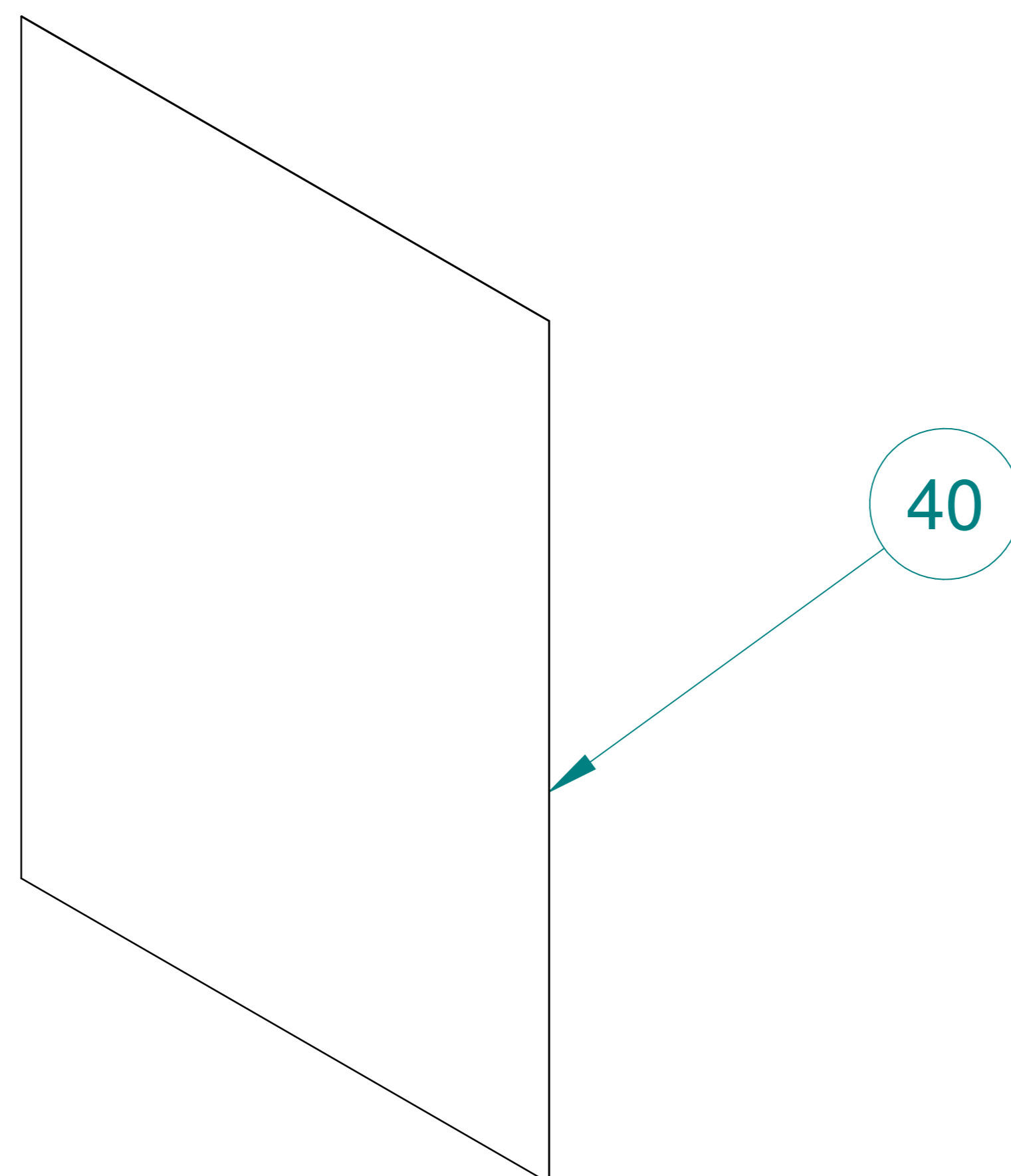
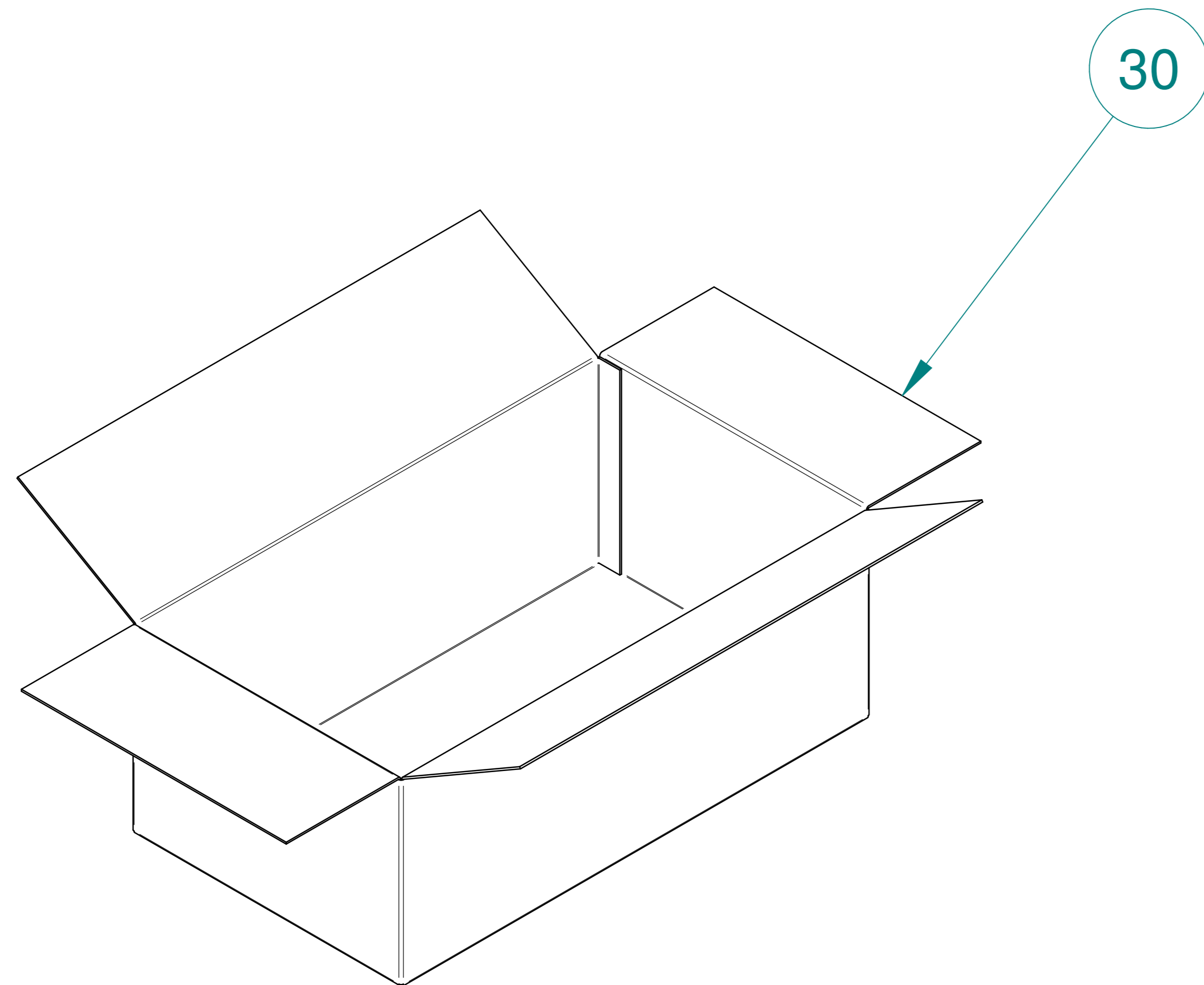
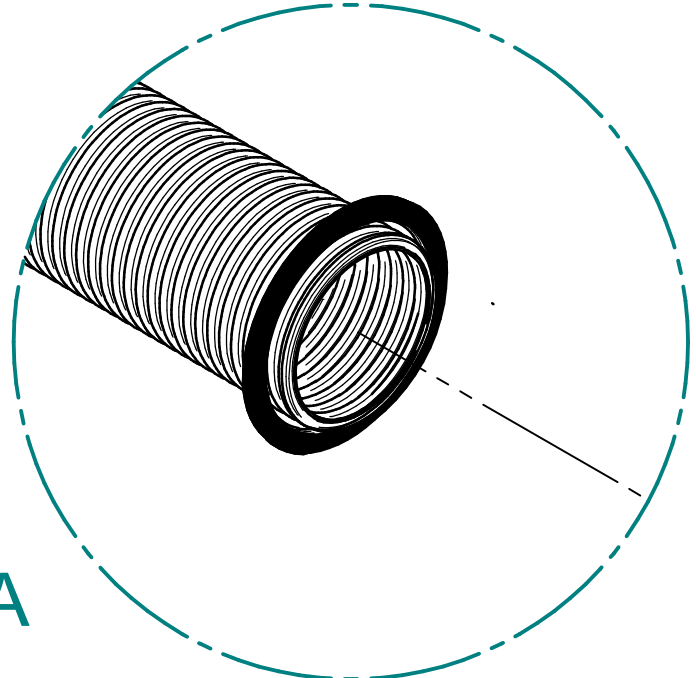
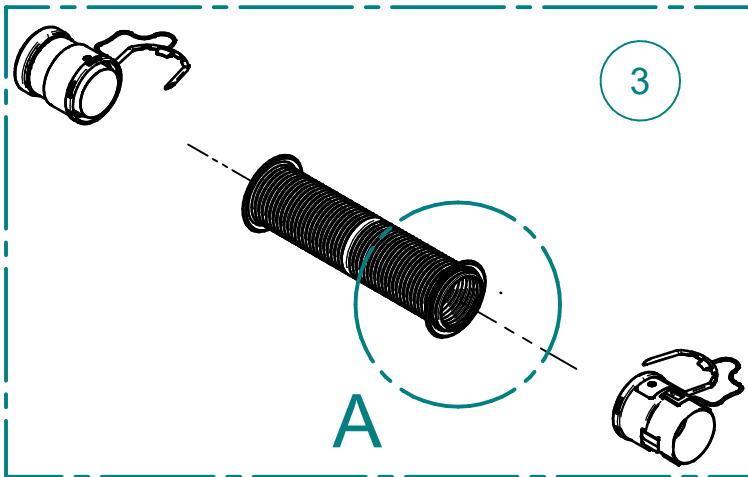
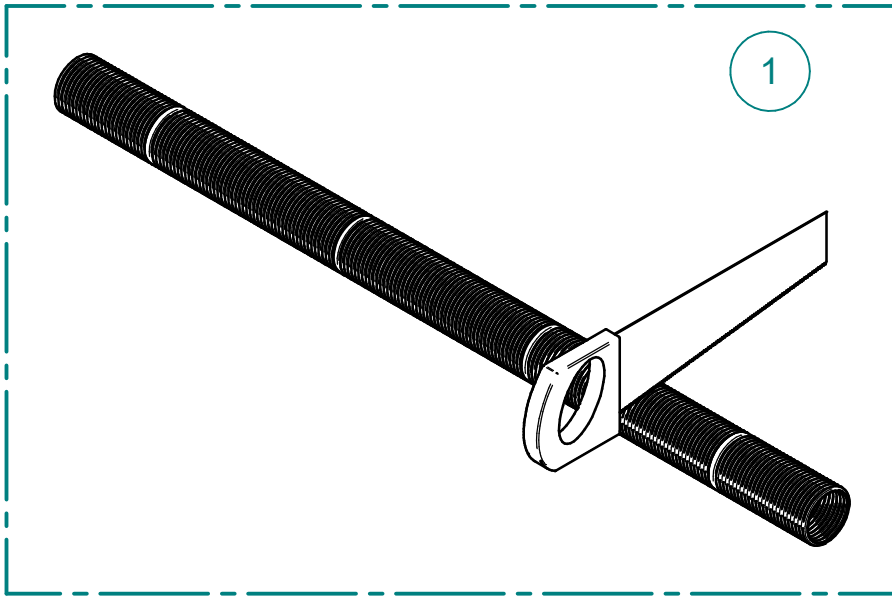


NOTE FOR THE SUPPLY:
INSTRUCTION SHEET MUST BE PRINTED FRONT AND BACK



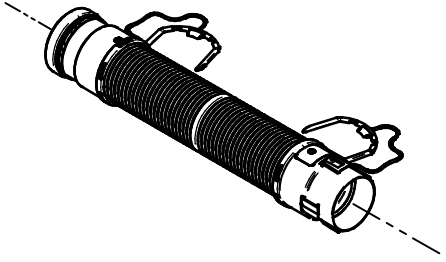
KIT PART LIST		
POS.	DESCRIPTION	QTY
10	GROPPALLI PIPE L = 20 m	1
20	KIT ADAPTOR MALE-FEMALE +2 O-RING	1
30	CARTON BOX	1
40	INSTRUCTION SHEET	1

DIMENSION TOLERANCE TO ISO 14463		QUALITY SURVEILLANCE	ISO 2768 - cL
Scale: mm 1:2	First Angle Projection	SEE NOTE	Work Item Number: 7696883
BDR THERMEA GROUP		Production	Revision: 01

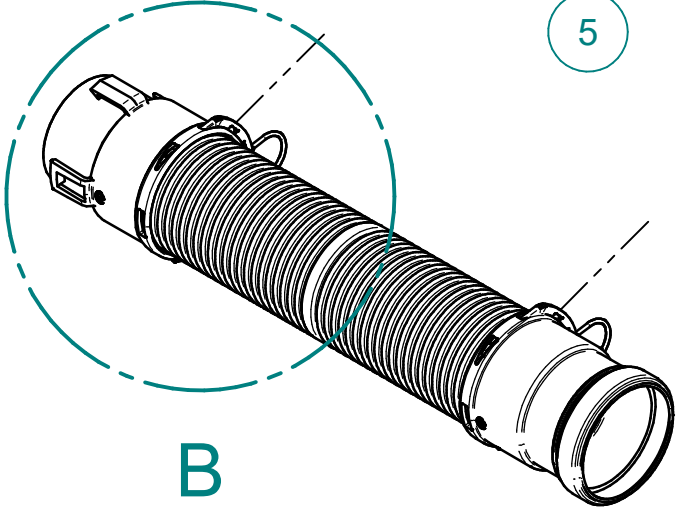


DETAIL A

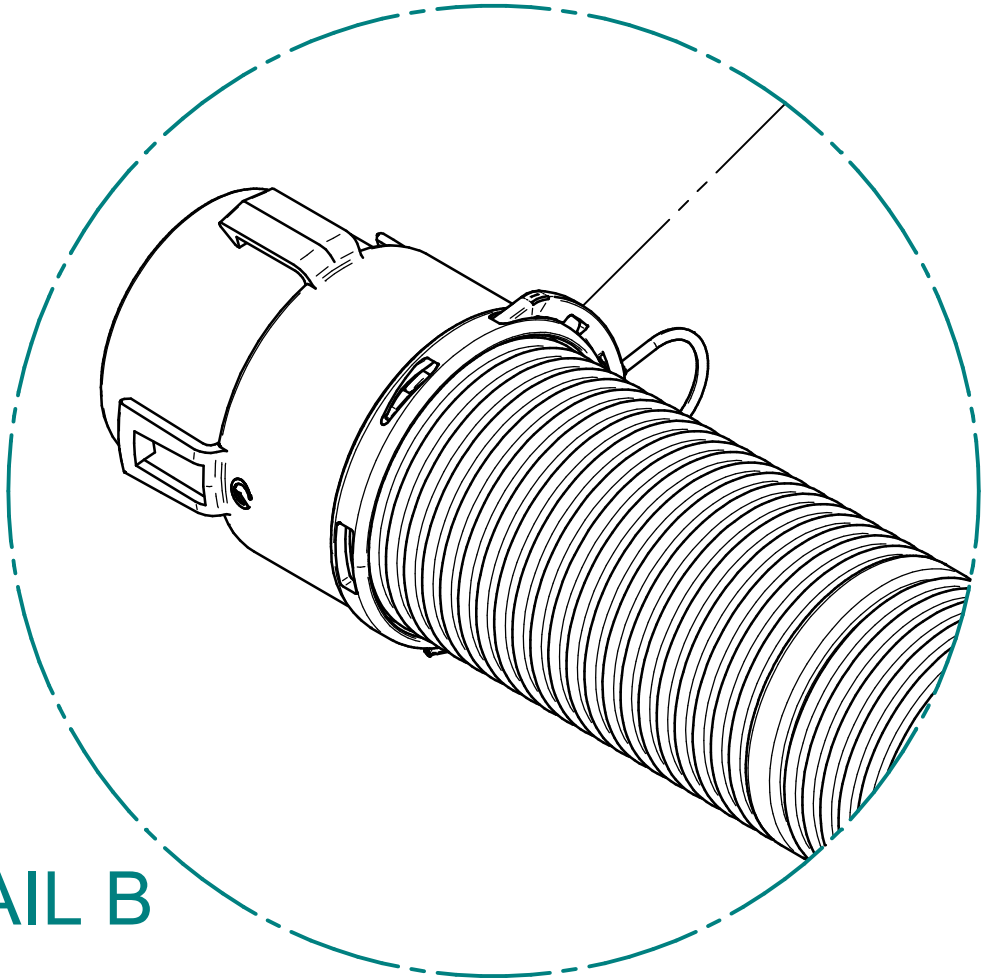
4



5



B



DETAIL B