

Наличие запчастей на складе смотрите на нашем сайте

[specagrobiznes.ru](http://specagrobiznes.ru)

## Каталог запчастей валкообразователей

***Claas Liner 1550***

***Claas Liner 1550 Twin***

***Claas Liner 1550 Twin Profil***



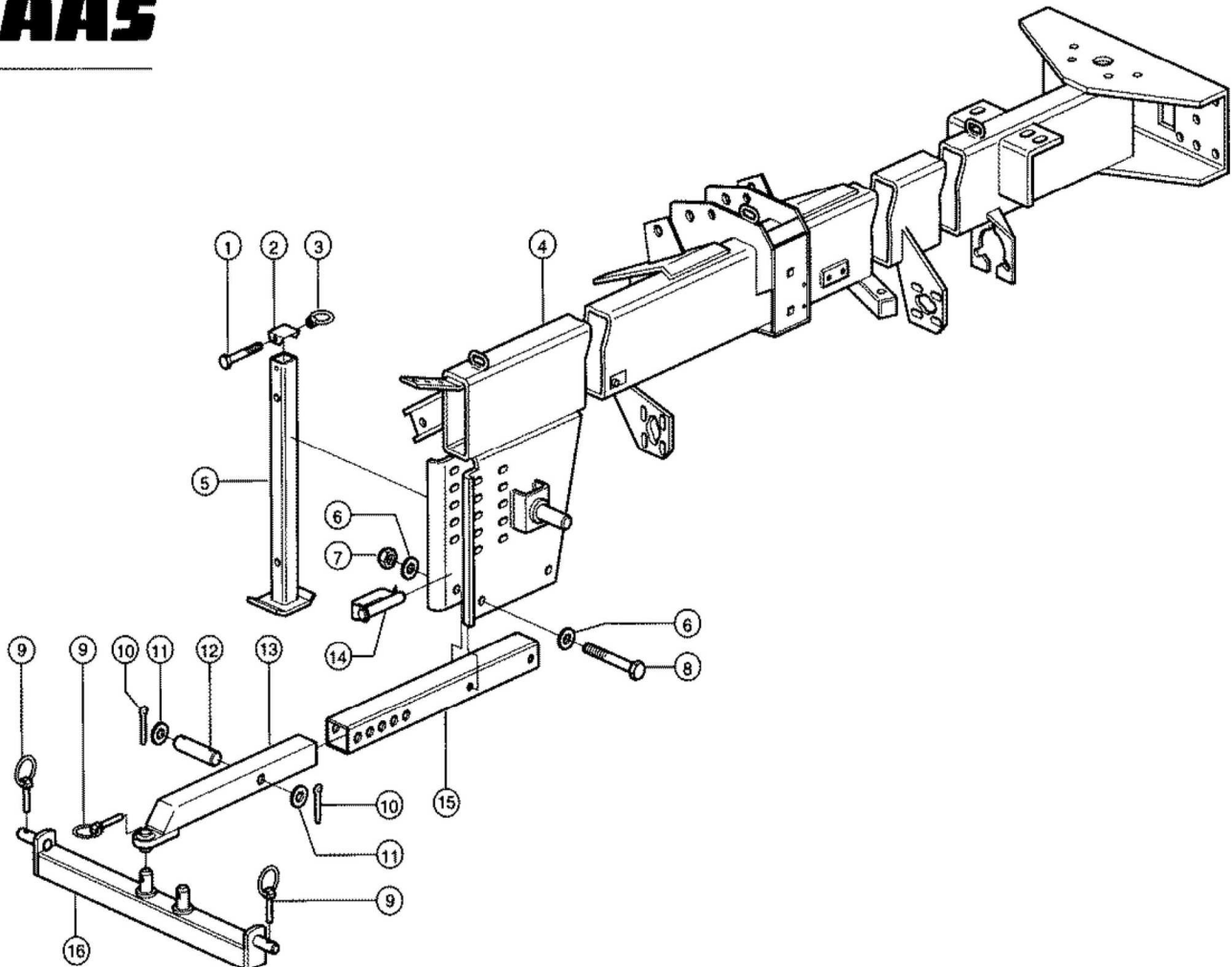
Characteristic: **SUPPORT / DRAWBAR LINER 1550 TWIN**

Illustration: **101**

Pos.	Part-No.	Description	DIN	Dimension	Qty.	Remark
1	000 235 521 0	Hexagonal screw	Iso4014	M08x60	1	
2	000 911 603 0	Cover			1	
3	000 244 137 0	Ringnut	Din582	m 8	1	
4	000 956 347 1	Support			1	
5	000 956 235 0	Stand			1	
6	000 239 391 0	Contact washer		A16	4	
7	000 238 047 0	Securing nut	Iso7042	M16	2	
8	000 211 628 0	Hexagonal screw	Iso4014	M16x125	2	
9	000 212 308 1	Fold pin		12x45	4	
10	000 237 680 0	Split pin	I1234	8 X 45	2	
11	000 234 298 0	Washer		26 X 37 X2	2	
12	000 949 527 1	Pin		D25h9x 112	1	
13	000 956 471 0	Drawbar pipe			1	
14	000 978 216 0	Plug		12x96	1	
15	000 956 234 0	Tube		80x 80x 8x 735	1	
16	000 956 265 0	Pendulum			1	

**CLAAS**

**101**



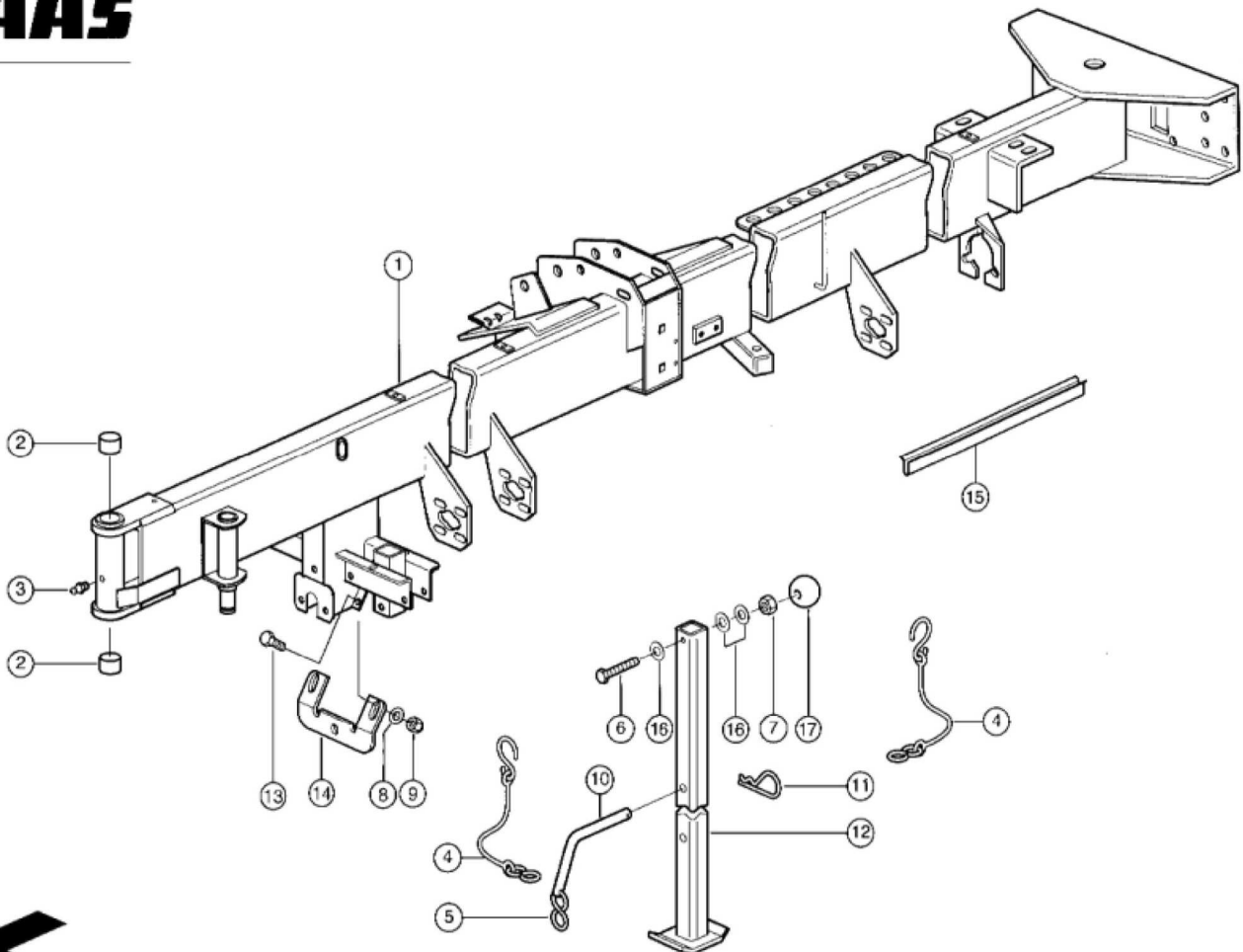
Characteristic: **SUPPORT LINER 1550 TWIN PROFIL**

Illustration: **101A**

Pos.	Part-No.	Description	DIN	Dimension	Qty.	Remark
1	000 924 623 4	Support			1	from 398 0 4284
1	000 975 200 1	Support			1	to 398 0 4283
1	000 975 052 0	Support		L1550tw.Pr.	1	to 398 0 3363
2	000 948 846 0	Bearing bush		45 X 52 X40	2	
3	000 236 942 0	Grease nipple	Din714	1/2 S6x1	1	
4	000 931 436 0	Safety cord		mit S-Haken	2	
5	000 900 928 1	S-hook		D 3,8	1	
6	000 235 525 0	Hexagonal screw	Iso4014	M08x80	1	
7	000 236 170 0	Hexagonal nut	Iso4032	M8	1	
8	000 239 388 0	Contact washer		A10	2	
9	000 237 947 0	Securing nut	Iso7042	M10	2	
10	000 957 680 0	Pin		16h9x 286	1	
11	000 673 749 0	Spring clip		4,5x 75	1	
12	000 958 117 1	Stand			1	
13	000 237 453 0	Hexagonal screw	Iso4017	M10x30	2	
14	000 958 292 1	Plate		6x 74x 140	1	
15	000 956 454 1	Clamp strip		2,5x 550	4	
16	000 239 393 1	Contact washer		B 8	3	
17	000 633 109 0	Ball knob	D319	C 32	1	

**CLAAS**

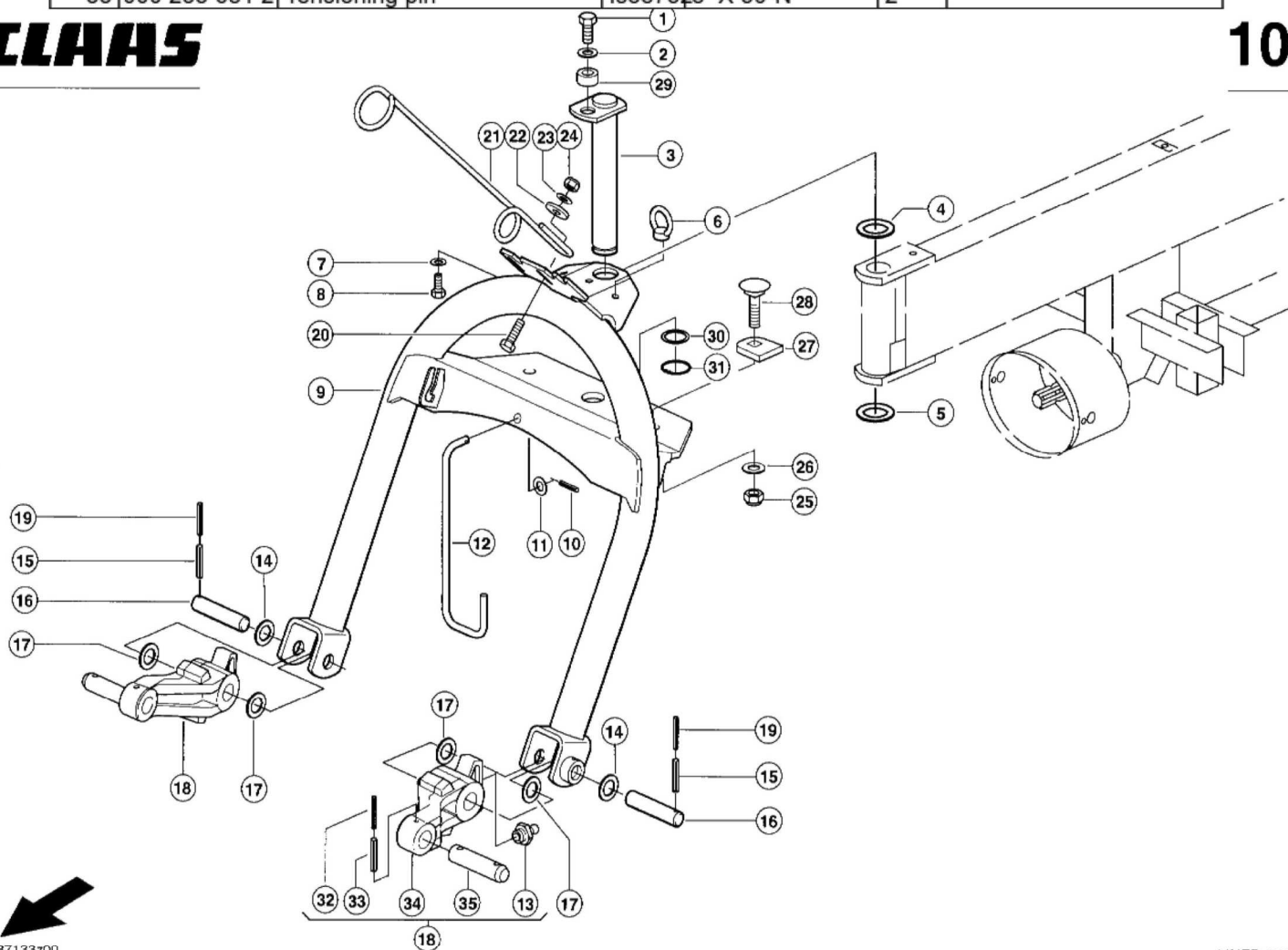
**101A**



Pos.	Part-No.	Description	DIN	Dimension	Qty.	Remark
1	000 233 574 0	Hexagonal screw	Iso4017	M12x25-Mkl	1	
2	000 239 395 1	Contact washer		B12	1	
3	000 958 022 2	Axle			1	
4	000 234 248 0	Washer		45 X 65 X1	1	
5	000 685 169 1	Pressure disc		45 X 65x3	1	
6	000 244 137 0	Ringnut	Din582	m 8	2	
7	000 239 387 0	Contact washer		A 8	2	
8	000 236 200 0	Hexagonal screw	Iso4017	M08x20	2	
9	000 958 077 9	3-points support			1	
10	000 237 616 2	Tensioning pin	Iso87526	X 20-N	1	
11	000 236 839 0	Washer		12,5x 25 X1,5	1	
12	000 958 726 0	Support			1	
13	000 236 942 0	Grease nipple	Din7141	12 S6x1	2	
14	000 234 306 0	Washer		30,5x 42 X2	4	to 398 0 3890
15	000 237 612 2	Tensioning pin	Iso875210	X 50-N	2	from 398 0 3891
15	000 235 680 3	Tensioning pin	Iso87528	X 40	4	to 398 0 3890
16	000 975 425 0	Pin		D 28h9x 150	2	from 398 0 3891
16	000 975 192 2	Pin		D 28h9x 156	2	to 398 0 3890
16	000 991 808 0	Pin		D 28h9x 130	2	to 398 0 3363
17	000 234 240 0	Washer		30,5x 42 X1	4	
18	000 975 701 1	Lower link			2	
19	000 212 508 1	Tensioning pin	Iso87526	X 50-N	2	from 398 0 4284
19	000 235 681 2	Tensioning pin	Iso87528	X 50-N	2	from 398 0 3891
19	000 235 651 2	Tensioning pin	Iso87525	X 40-N	4	to 398 0 3890
20	000 235 532 0	Hexagonal screw	Iso4014	M10x40	2	
21	000 967 854 2	Pipe bracket			1	
22	000 523 126 0	Washer		10,5x 35 X5	2	
23	000 239 388 0	Contact washer		A10	2	
24	000 237 947 0	Securing nut	Iso7042	M10	2	
25	000 238 047 0	Securing nut	Iso7042	M16	2	
26	000 239 391 0	Contact washer		A16	2	
27	000 924 579 0	Washer			2	
28	000 215 108 0	Flat head bolt	Din603	M16x 50	2	
29	000 928 107 0	Spacer bush			1	
30	000 238 387 0	Back-up washer	Din988	45x55x3,0	1	
31	000 235 168 0	Circlip	D471	45x1,75	1	
32	000 235 653 2	Tensioning pin	Iso87525	X 50-N	2	
33	000 235 681 2	Tensioning pin	Iso87528	X 50-N	2	

**CLAAS**

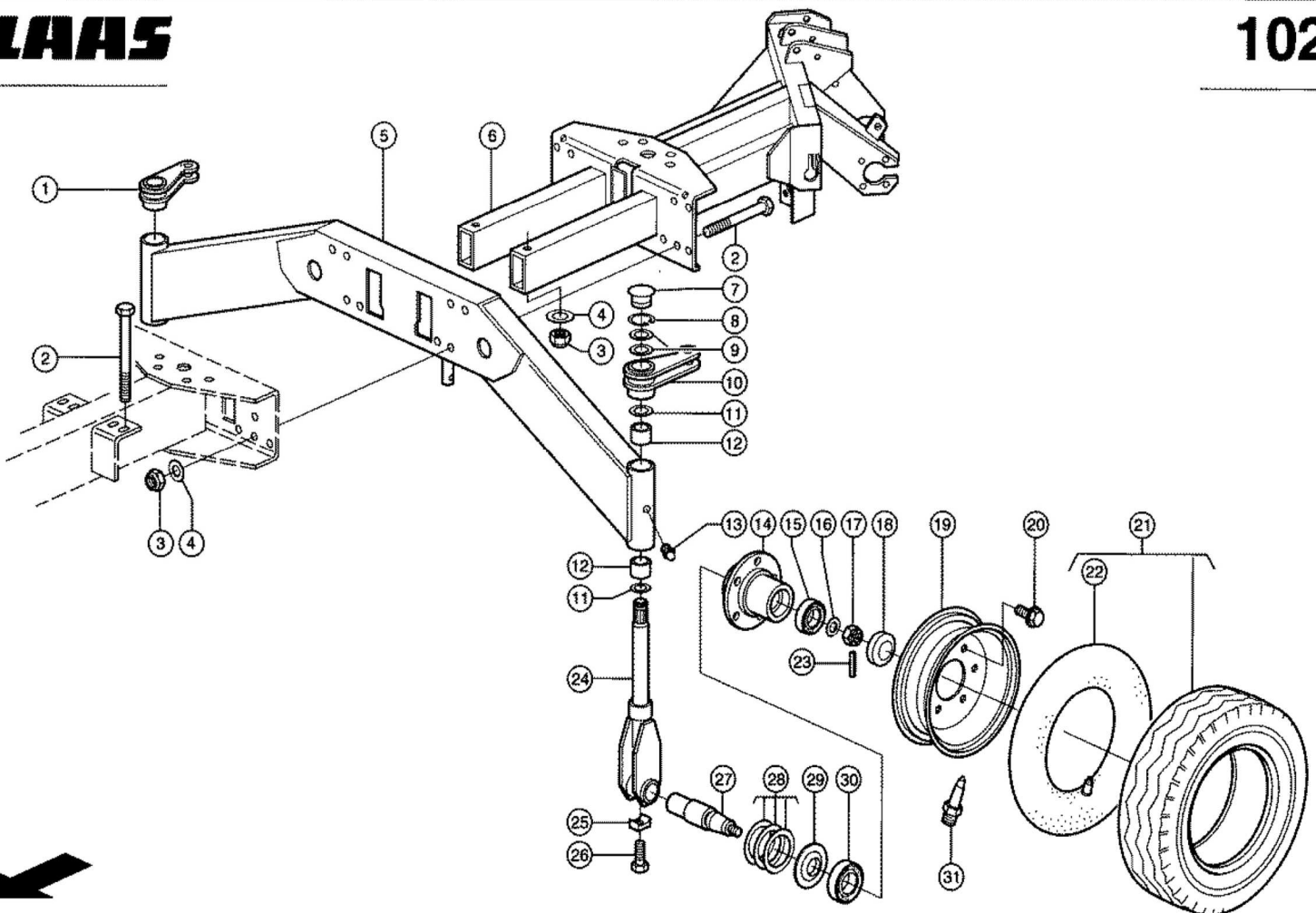
**101B**



Pos.	Part-No.	Description	DIN	Dimension	Qty.	Remark
1	000 956 493 0	Lever r.h.			1	
2	000 215 898 0	Hexagonal screw	Iso4014	M16x160	10	
3	000 238 047 0	Securing nut	Iso7042	M16	10	
4	000 239 391 0	Contact washer		A16	20	
5	000 956 361 0	Cross support			1	
6	000 956 348 2	Support, rear			1	
7	000 658 283 0	Locking cover		D61/62x4/5,8	2	
8	000 235 166 0	Circlip	Din471	40x1,75	2	
9	000 238 434 0	Shims	Din988	40x50x1	4	
10	000 956 494 0	Lever l.h.			1	
11	000 685 169 1	Pressure disc		45 X 65x3	4	
12	000 948 846 0	Bearing bush		45 X 52 X40	4	
13	000 236 942 0	Grease nipple	Din714	M S6x1	2	
14	000 673 421 0	Wheel hub		5 Loch	2	
15	000 237 771 0	Grvd.ball bearing		6206-Rs*	2	
16	000 234 302 0	Washer		26 X 42 X2	4	
17	000 631 168 1	Castellated nut	Din979	M24x2-10 Schlit	2	
18	000 631 169 1	Cap			2	
19	000 655 064 0	Wheel rim		9.00x15.3 B	2	
20	000 655 071 0	Wheel bolt		M14x1,5x 18,5	10	
21	000 960 801 0	Tyre With Tube		10.0/75-15,3	2	
21	000 818 027 1	Tyre		10.0/75-15,3	2	
22	000 800 111 0	Tube		10.0/75-15,3	2	
23	000 235 650 2	Tensioning pin	Iso8752	25 X 36-N	2	
24	000 956 362 0	Wheel support			2	
25	000 904 727 0	Washer			2	
26	000 238 952 0	Hexagonal screw	Iso4017	M16x45-Mkl	2	
26	000 235 585 0	Hexagonal screw	Iso4017	M16x45	2	
27	000 954 154 1	Axle stub		60x 290	2	
28	000 673 428 0	Set of seals		As 90 3,3 Breit	2	
29	000 655 088 2	Thrust washer		50x 89x 6	2	
30	000 235 922 0	Grvd.ball bearing	D625	6210	2	
31	000 676 839 0	Wheel rim valve	D7780	43 Gs/16	2	

**CLAAS**

**102**



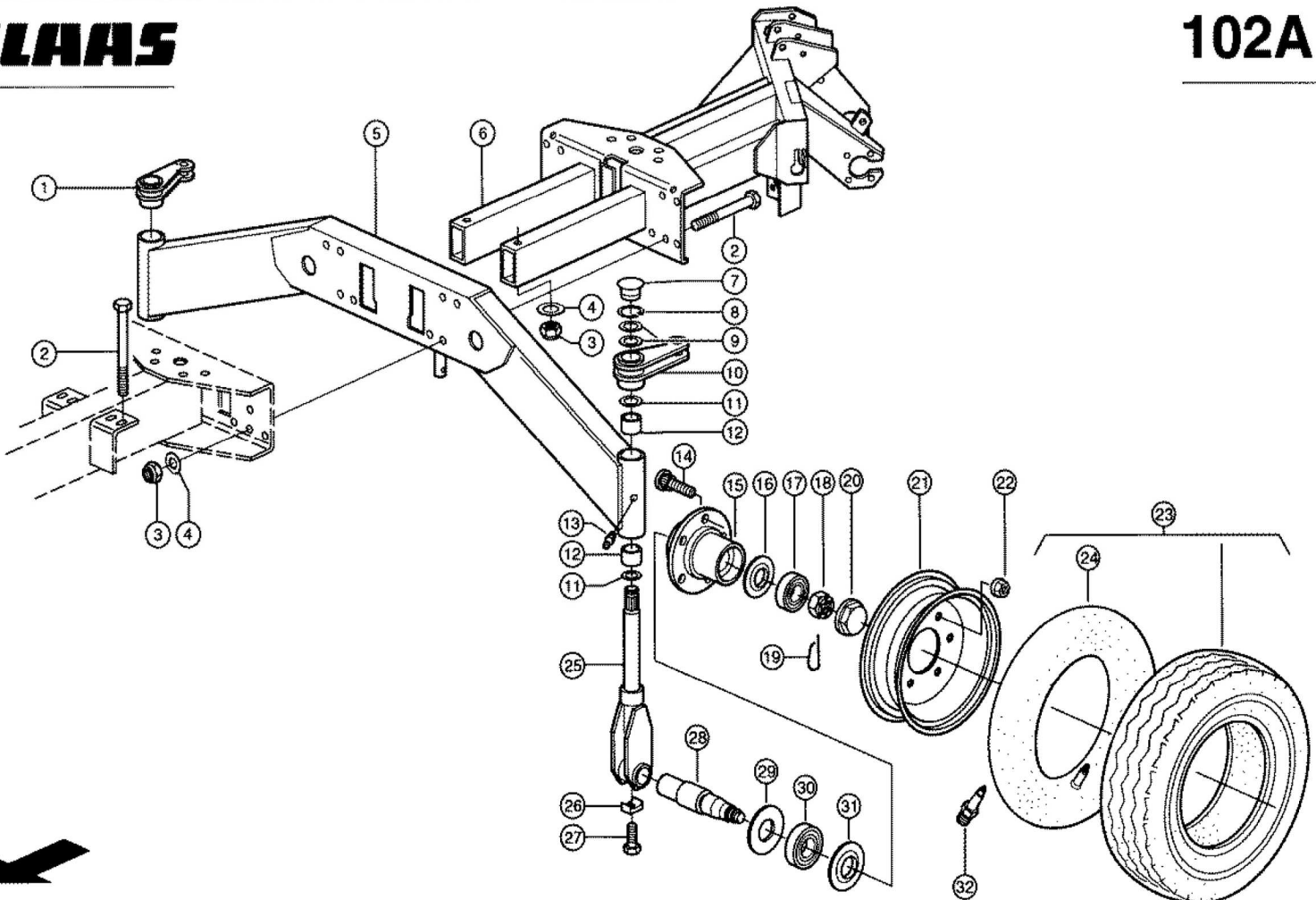
Characteristic: **CROSS SUPPORT / TYRE**

Illustration: **102A**

Pos.	Part-No.	Description	DIN	Dimension	Qty.	Remark
1	000 956 493 0	Lever r.h.			1	
2	000 215 898 0	Hexagonal screw	Iso4014	M16x160	10	
3	000 238 047 0	Securing nut	Iso7042	M16	10	
4	000 239 391 0	Contact washer		A16	20	
5	000 956 361 0	Cross support			1	
6	000 956 348 3	Support, rear			1	
7	000 658 283 0	Locking cover		D61/62x4/5,8	2	
8	000 235 166 0	Circlip	Din471	40x1,75	2	
9	000 238 434 0	Shims	Din988	40x50x1	4	
10	000 956 494 0	Lever l.h.			1	
11	000 685 169 1	Pressure disc		45 X 65x3	4	
12	000 948 846 0	Bearing bush		45 X 52 X40	4	
13	000 236 942 0	Grease nipple	Din7141	1/2 S6x1	2	
14	000 920 269 0	Wheel bolt			12	
15	000 920 047 0	Wheel hub			2	
16	000 214 516 0	Bearing seal ring		32206 Jv	2	
17	000 235 986 0	Ta.roller bearing	D720	302 06	2	
18	000 212 368 0	Castellated nut	Din979	M27x1,5	2	
19	000 214 515 0	Spring clip		D 3,0	2	
20	000 214 615 0	Wheel cap		D 62,3x27,2 Tie	2	
21	000 974 520 0	Wheel rim		9.00x15.3 B 6-L	2	
22	000 631 738 1	Wheel nut	Din7436	M18	12	
23	000 960 801 0	Tyre With Tube		10.0/75-15,3	2	
23	000 818 027 1	Tyre		10.0/75-15,3	2	
24	000 800 111 0	Tube		10.0/75-15,3	2	
25	000 956 362 0	Wheel support			2	
26	000 904 727 0	Washer			2	
27	000 235 585 0	Hexagonal screw	Iso4017	M16x45	2	
28	000 920 046 0	Axle stub			2	
29	000 214 518 0	Seal ring		45x86,3	2	
30	000 234 829 0	Ta.roller bearing	Din720	30209 J2/Q	2	
31	000 214 517 0	Bearing seal ring		32209 Jv	2	
32	000 676 839 0	Wheel rim valve	D7780	43 Gs/16	2	

**CLAAS**

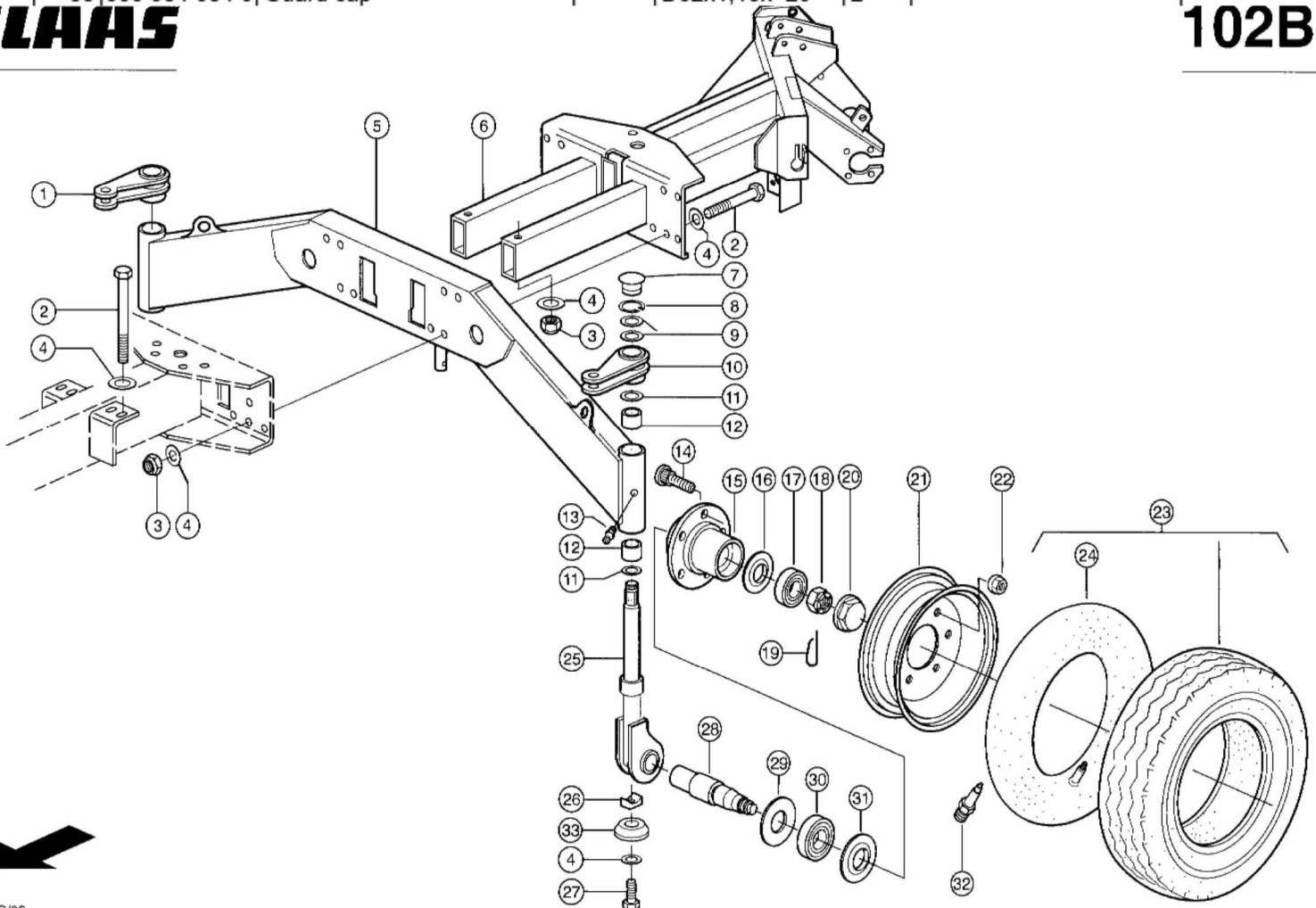
**102A**



Pos.	Part-No.	Description	DIN	Dimension	Qty.	Remark
1	000 956 494 0	Lever l.h.			1	
2	000 215 898 0	Hexagonal screw	Iso4014	M16x160	8	
3	000 238 047 0	Securing nut	Iso7042	M16	8	
4	000 239 391 0	Contact washer		A16	16	
5	000 974 413 2	Cross support			1	
6	000 975 416 0	Support, rear			1	
7	000 658 283 0	Locking cover		D61/62x4/5,8	2	
8	000 235 166 0	Circlip	Din471	40x1,75	2	
9	000 238 434 0	Shims	Din988	40x50x1	4	
10	000 956 493 0	Lever r.h.			1	
11	000 685 169 1	Pressure disc		45 X 65x3	4	
12	000 948 846 0	Bearing bush		45 X 52 X40	4	
13	000 236 942 0	Grease nipple	Din714	1/2 S6x1	2	
14	000 920 269 0	Wheel bolt			12	
15	000 920 047 0	Wheel hub			2	
16	000 214 516 0	Bearing seal ring		32206 Jv	2	
17	000 235 986 0	Ta.roller bearing	D720	302 06	2	
18	000 212 368 0	Castellated nut	Din979	M27x1,5	2	
19	000 214 515 0	Spring clip		D 3,0	2	
20	000 214 615 0	Wheel cap		D 62,3x27,2 Tie	2	
21	000 682 702 0	Wheel rim		9.00x15.3	2	from 398 0 3778
21	000 974 520 0	Wheel rim		9.00x15.3 B 6-L	2	to 398 0 3777
22	000 631 738 1	Wheel nut	Din7436	M18	12	
23	000 974 484 0	Tyres cpl.		10,0/75-15,3	2	with Item 21
23	000 960 801 0	Tyre With Tube		10,0/75-15,3	2	
23	000 818 027 1	Tyre		10.0/75-15.3	2	
24	000 800 111 0	Tube		10.0/75-15.3	2	
25	000 956 362 1	Wheel support			2	
26	000 904 727 0	Washer			2	
27	000 235 585 0	Hexagonal screw	Iso4017	M16x45	2	
28	000 920 046 0	Axle stub			2	
29	000 214 518 0	Seal ring		45x86,3	2	
30	000 234 829 0	Ta.roller bearing	Din720	30209 J2/Q	2	
31	000 214 517 0	Bearing seal ring		32209 Jv	2	
32	000 676 839 0	Wheel rim valve	D7780	43 Gs/16	2	
33	000 954 034 0	Guard cap		D62x1,13x 20	2	

**CLAAS**

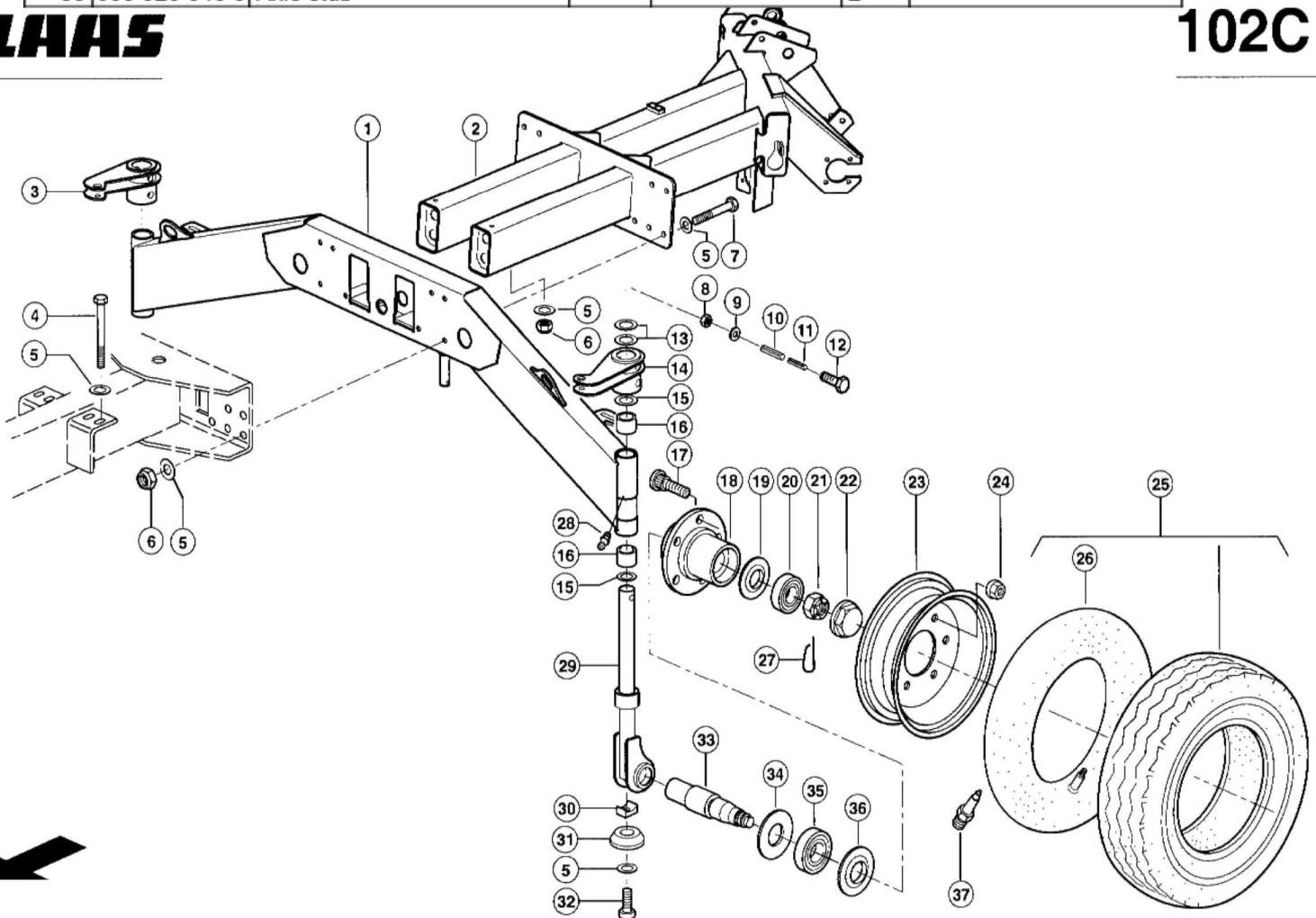
**102B**



Pos.	Part-No.	Description	DIN	Dimension	Qty.	Remark
1	000 924 628 2	Cross support			1	
2	000 924 597 3	Support, rear			1	
3	000 924 733 0	Lever l.h.		links	1	
4	000 242 397 0	Hexagonal screw	Iso4014	M16x180	2	
5	000 239 391 0	Contact washer		A16	22	
6	000 238 047 0	Securing nut	Iso7042	M16	8	
7	000 215 898 0	Hexagonal screw	Iso4014	M16x160	6	
8	000 237 983 0	Securing nut	Iso7042	m 6	2	
9	000 239 392 0	Contact washer		B 6	2	
10	000 213 700 1	Tensioning pin	Iso8752	16 X 70-N	2	
11	000 237 614 2	Tensioning pin	Iso8752	10 X 70 N-St	2	
12	000 242 374 0	Hexagonal screw	Iso4014	m 6x80	2	
13	000 238 434 0	Shims	Din988	40x50x1	4	
14	000 924 734 0	Lever r.h.		rechts	1	
15	000 685 169 1	Pressure disc		45 X 65x3	2	
15	000 233 104 0	Washer		45 X 65 X2	2	
16	000 948 846 0	Bearing bush		45 X 52 X40	4	
17	000 920 269 0	Wheel bolt			12	
18	000 920 047 0	Wheel hub			2	
19	000 214 516 0	Bearing seal ring		32206 Jv	2	
20	000 235 986 0	Ta.roller bearing	D720	302 06	2	
21	000 212 368 0	Castellated nut	Din979	M27x1,5	2	
22	000 214 615 0	Wheel cap		D 62,3x27,2 Tie	2	
23	000 682 702 0	Wheel rim		9.00x15.3	2	from 398 0 3778
24	000 631 738 1	Wheel nut	Din7436	M18	12	
25	000 974 484 0	Tyres cpl.		10,0/75-15,3	2	with Item 23
25	000 960 801 0	Tyre With Tube		10,0/75-15,3	2	
25	000 818 027 1	Tyre		10,0/75-15,3	2	
26	000 800 111 0	Tube		10,0/75-15,3	2	
27	000 214 515 0	Spring clip		D 3,0	2	
28	000 236 942 0	Grease nipple	Din714	M S6x1	2	
29	000 924 648 2	Wheel support			2	
30	000 904 727 0	Washer			2	
31	000 954 034 0	Guard cap		D62x1,13x 20	2	
32	000 235 585 0	Hexagonal screw	Iso4017	M16x45	2	
33	000 920 046 0	Axle stub			2	

**CLAAS**

**102C**

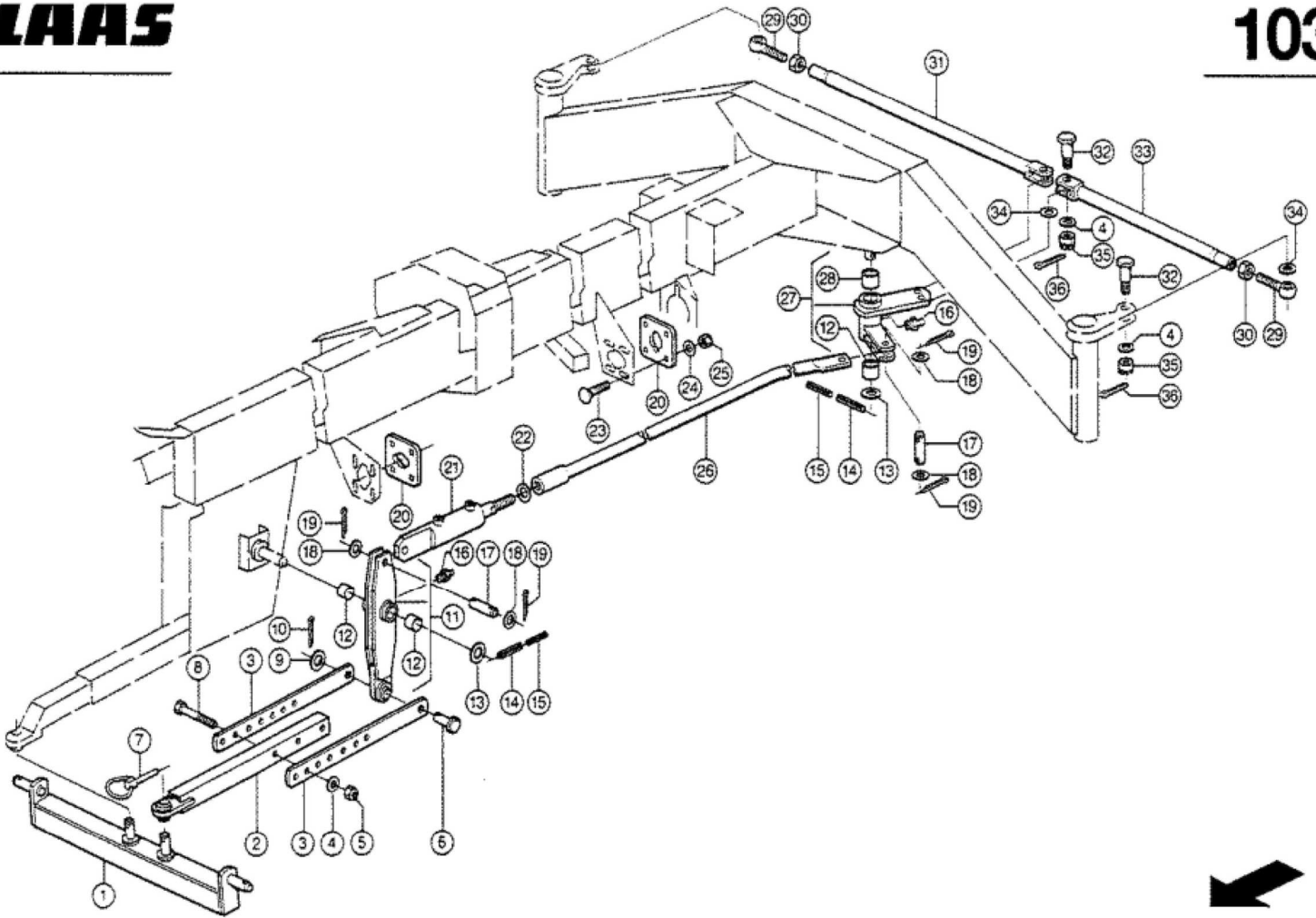




Characteristic: **STEERING LINER 1550 TWIN**

Illustration: **103**

Pos.	Part-No.	Description	DIN	Dimension	Qty.	Remark
1	000 956 265 0	Pendulum			1	
2	000 956 240 0	Tube			1	
3	000 956 241 0	Brace		45x10x 565	2	
4	000 239 389 0	Contact washer		A12	6	
5	000 233 323 0	Securing nut	Iso7042	M12	2	
6	000 212 509 1	Pin	I2341	B22h11x75x67x8	1	
7	000 212 308 1	Fold pin		12x45	1	
8	000 233 418 0	Hexagonal screw	Iso4014	M12x80	2	
9	000 234 299 0	Washer		23 X 37 X2	1	
10	000 237 680 0	Split pin	I1234	8 X 45	1	
11	000 956 244 0	Lever			1	
12	000 926 560 0	Bearing bush		30x 34x 30	3	
13	000 238 987 0	Washer		30,5x 45 X3	2	
14	000 237 612 2	Tensioning pin	Iso8752	210 X 50-N	2	
15	000 212 508 1	Tensioning pin	Iso8752	26 X 50-N	2	
16	000 236 942 0	Grease nipple	Din7141	1/2 S6x1	2	
17	000 943 972 2	Bearing bolt		D16c9x 50	2	
18	000 234 230 0	Washer		17 X 26 X1	4	
19	000 236 929 0	Split pin	I1234	4 X 32	4	
20	000 956 554 1	Guide		10x 94x 94	2	
21	000 956 512 0	Hydr. cylinder		D 25 Hub 48,0	1	single parts plate 111
22	000 956 841 0	Angle		8x 95x 104	1	
23	000 244 247 0	Flat head bolt	Din603	M10x 35	8	
24	000 238 292 0	Washer		10,5x 22 X1	16	
25	000 237 947 0	Securing nut	Iso7042	M10	8	
26	000 956 508 0	Pull rod			1	
27	000 956 516 0	Reversing lever			1	
28	000 965 706 0	Bearing bush		35x 39x 30	1	
29	000 956 318 0	Eye bolt	D444	Am16/18 X70x48	2	
30	000 236 173 0	Hexagonal nut	Iso4032	M16	2	
31	000 956 504 0	Tube r.h.			1	
32	000 956 319 0	Fitting screw		M12x 25	4	
33	000 956 506 0	Tube l.h.			1	
34	000 233 130 0	Washer		18,5x 28 X3	4	
35	000 236 653 0	Castellated nut	D935	M12-Kk	4	
36	000 236 152 0	Split pin	I1234	3,2x 22	4	



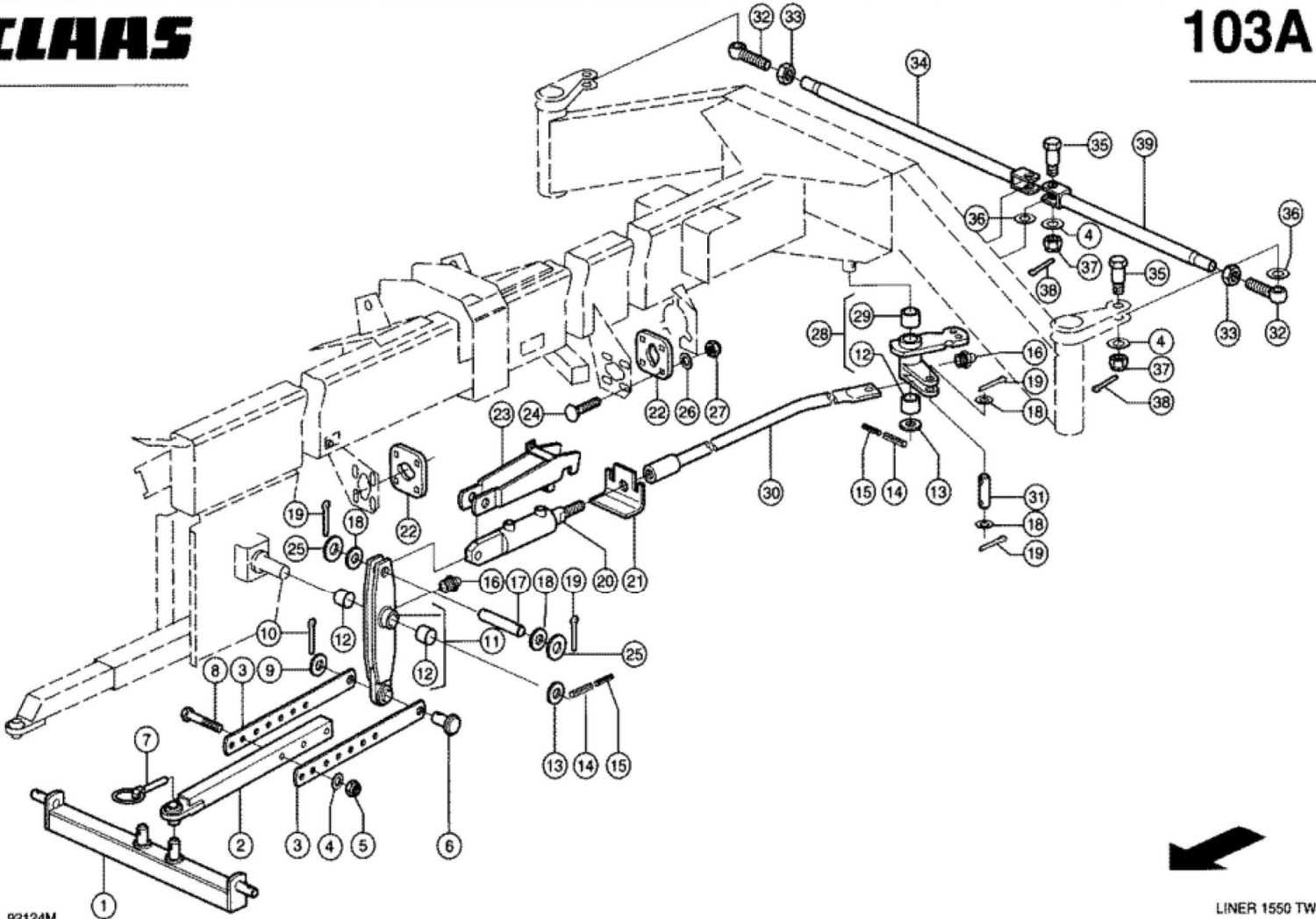
Characteristic: **STEERING LINER 1550 TWIN**

Illustration: **103A**

Pos.	Part-No.	Description	DIN	Dimension	Qty.	Remark
1	000 956 265 0	Pendulum			1	
2	000 956 240 0	Tube			1	
3	000 956 241 0	Brace		45x10x 565	2	
4	000 239 389 0	Contact washer		A12	6	
5	000 233 323 0	Securing nut	Iso7042	M12	2	
6	000 212 509 1	Pin	I2341	B22h11x75x67x8	1	
7	000 212 308 1	Fold pin		12x45	1	
8	000 233 418 0	Hexagonal screw	Iso4014	M12x80	2	
9	000 234 299 0	Washer		23 X 37 X2	1	
10	000 237 680 0	Split pin	I1234	8 X 45	1	
11	000 956 862 0	Lever			1	
12	000 926 560 0	Bearing bush		30x 34x 30	3	
13	000 238 987 0	Washer		30,5x 45 X3	2	
14	000 237 612 2	Tensioning pin	Iso8752	210 X 50-N	2	
15	000 212 508 1	Tensioning pin	Iso8752	26 X 50-N	2	
16	000 236 942 0	Grease nipple	Din7141	1/2 S6x1	2	
17	000 956 840 0	Pin		18h9 X 68	1	
18	000 234 230 0	Washer		17 X 26 X1	2	
19	000 236 929 0	Split pin	I1234	4 X 32	4	
20	000 956 884 1	Hydr. cylinder		D40/25x73/294	1	Components on illustration 111a
21	000 956 841 1	Angle		8x 95x 100	1	
22	000 956 554 1	Guide		10x 94x 94	2	
23	000 956 855 0	Lock			1	
24	000 244 247 0	Flat head bolt	Din603	M10x 35	8	
25	000 236 953 0	Washer		18,5x 33 X1	2	
26	000 234 281 0	Washer		11 X 26 X2	8	
27	000 237 947 0	Securing nut	Iso7042	M10	8	
28	000 956 516 0	Reversing lever			1	
29	000 965 706 0	Bearing bush		35x 39x 30	1	
30	000 956 508 0	Pull rod			1	
31	000 943 972 2	Bearing bolt		D16c9x 50	1	
32	000 956 318 1	Eye bolt	Din444	Lam16x100x18c1	2	
33	000 236 173 0	Hexagonal nut	Iso4032	M16	2	
34	000 956 504 0	Tube r.h.			1	
35	000 956 319 1	Fitting screw		M12x 48	4	
36	000 233 130 0	Washer		18,5x 28 X3	4	
37	000 236 653 0	Castellated nut	D935	M12-Kk	4	
38	000 236 152 0	Split pin	I1234	3,2x 22	4	
39	000 956 506 0	Tube l.h.			1	

**CLAAS**

**103A**



92124M

LINER 1550 TWIN



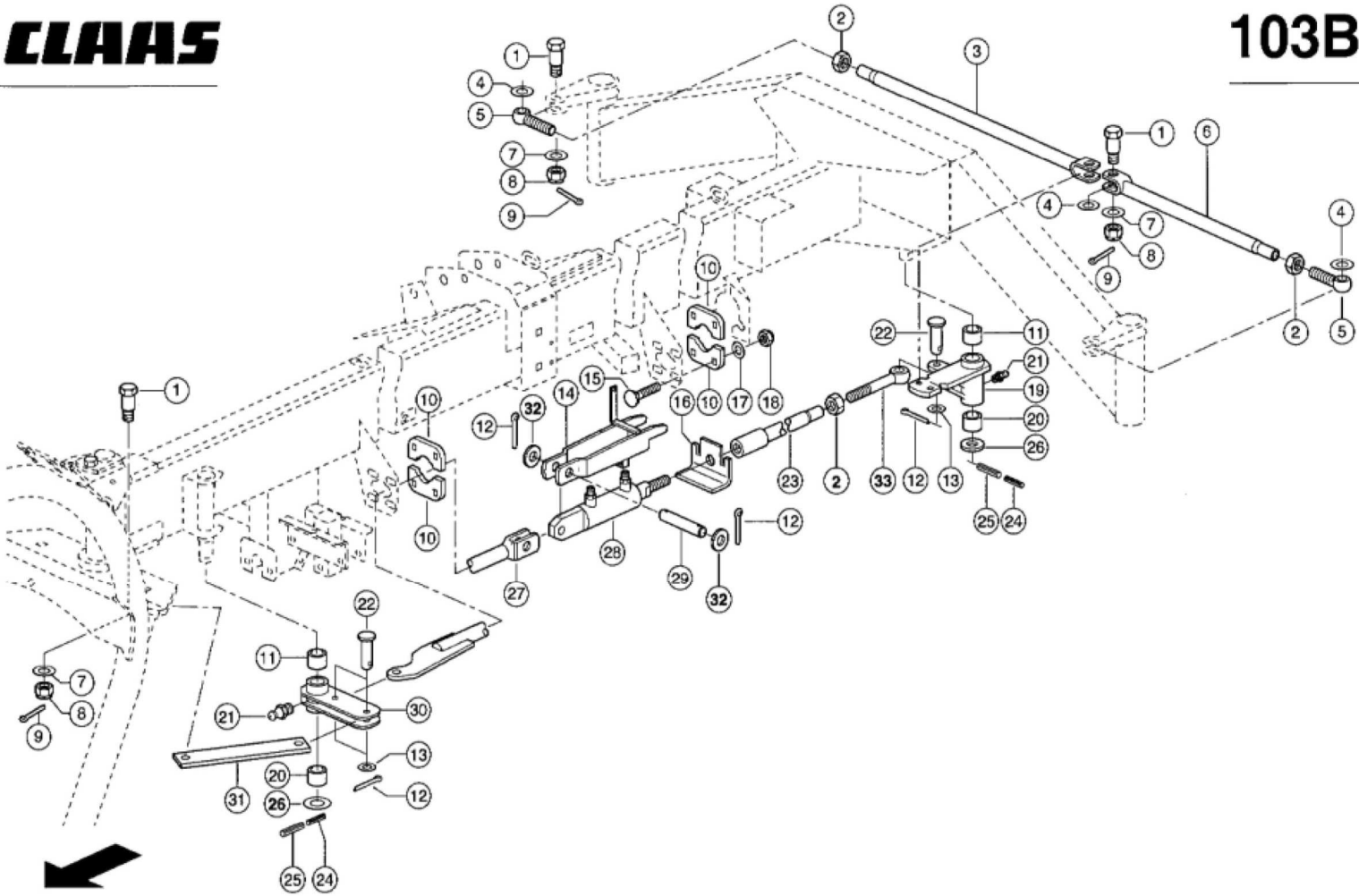
Characteristic: **STEERING LINER 1550 TWIN PROFIL**

Illustration: **103B**

Pos.	Part-No.	Description	DIN	Dimension	Qty.	Remark
1	000 956 319 1	Fitting screw		M12x 48	5	
2	000 236 173 0	Hexagonal nut	Iso4032	M16	3	
3	000 974 432 1	Tube r.h.			1	
4	000 233 130 0	Washer		18,5x 28 X3	4	
5	000 956 318 1	Eye bolt	Din444	Lam16x100x18c1	2	
6	000 974 430 1	Tube l.h.			1	
7	000 239 389 0	Contact washer		A12	5	
8	000 236 653 0	Castellated nut	D935	M12-Kk	4	
9	000 236 152 0	Split pin	I1234	3,2x 22	4	
10	000 956 554 2	Guide		10x 47x 94	6	
11	000 965 706 0	Bearing bush		35x 39x 30	2	
12	000 236 929 0	Split pin	I1234	4 X 32	2	
13	000 234 230 0	Washer		17 X 26 X1	4	
14	000 974 505 2	Lock			1	
15	000 244 247 0	Flat head bolt	Din603	M10x 35	12	
16	000 956 841 1	Angle		8x 95x 100	1	
17	000 234 281 0	Washer		11 X 26 X2	12	
18	000 237 947 0	Securing nut	Iso7042	M10	12	
19	000 975 273 0	Bushing			1	
20	000 926 560 0	Bearing bush		30x 34x 30	2	
21	000 236 942 0	Grease nipple	Din714	1/2 S6x1	2	
22	000 975 394 0	Bearing bolt		D25x 49	3	
23	000 974 419 2	Pull rod			1	
24	000 212 508 1	Tensioning pin	Iso8752	26 X 50-N	2	
25	000 237 612 2	Tensioning pin	Iso8752	210 X 50-N	2	
26	000 238 987 0	Washer		30,5x 45 X3	2	
27	000 924 541 0	Pull rod			1	from 398 0 3891
27	000 975 330 0	Pull rod			1	to 398 0 3890
28	000 924 260 0	Hydr. cylinder		D40/25x100/294	1	Components on illustration 111c from 398 0 3891
28	000 956 884 2	Hydr. cylinder		D40/25x73/294	1	Components on illustration 111b to 398 0 3890
29	000 956 840 0	Pin		18h9 X 68	1	
30	000 975 340 1	Bushing			1	
31	000 975 468 0	Strip		45x15x 435	1	
32	000 234 250 0	Washer		18,5x 28 X1	3	
33	000 214 238 0	Eye bolt	Din444	Lbm16x130	1	from 398 0 3891

**CLAAS**

**103B**



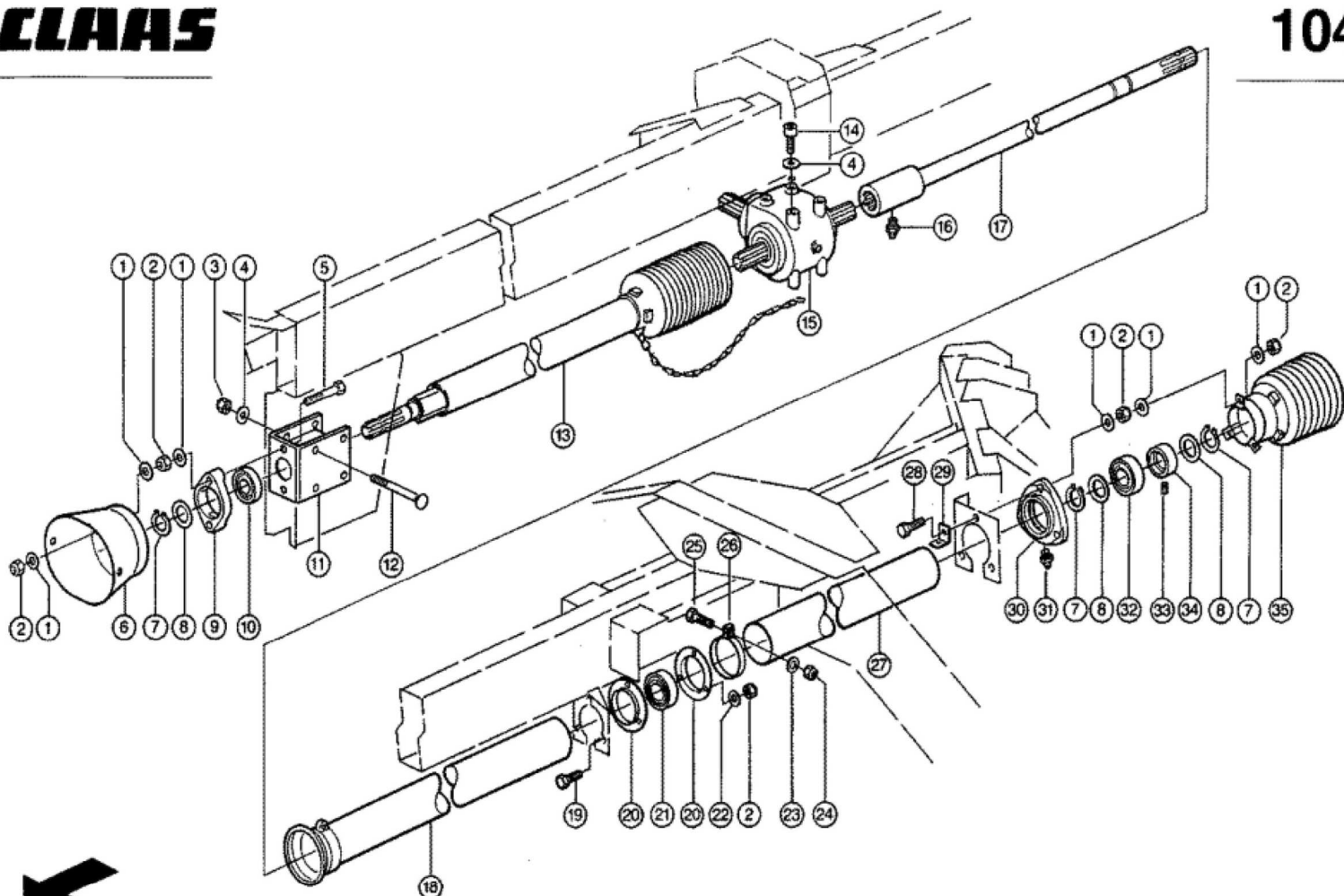
87102z01

LINER 1550 TWIN PROFIL

Pos.	Part-No.	Description	DIN	Dimension	Qty.	Remark
1	000 239 388 0	Contact washer		A10	9	
2	000 237 947 0	Securing nut	Iso7042	M10	13	
3	000 238 234 0	Securing nut	Iso7042	M12	4	
4	000 239 389 0	Contact washer		A12	8	
5	000 235 221 1	Hexagonal screw	Iso4017	M10x60	2	
6	000 942 525 3	Guard cup			1	
7	000 234 450 0	Circlip	D471	35x2,5	3	
8	000 234 385 0	Back-up washer	Din988	S 35 X 45	3	
9	000 945 395 0	Bearing housing			1	
10	000 233 544 0	Grvd.ball bearing		35x72x17	1	
11	000 955 608 0	Bearing support			1	
12	000 233 904 3	Flat head bolt	Din603	M12x120x110	4	
13	000 955 271 1	Intermed.shaft			1	single parts plate 131
14	000 237 761 1	Socket head screw	Iso4762	M12x 30	4	
15	000 954 096 1	Angle drive		Gt 40 T 1:1	1	single parts plate 105
16	000 236 942 0	Grease nipple	Din714	1/2 S6x1	1	
17	000 959 549 0	Drive shaft		hinten	1	from 398 0 2724
17	000 956 367 0	Drive shaft			1	to 398 0 2723
18	000 956 372 0	Protec. tube midd			1	
19	000 237 383 0	Hexagonal screw	Iso4017	M10x25	3	
20	000 616 068 1	Metal flange		Rb Y 207	2	
21	000 616 066 0	Lock collar bear.		Yen 207	1	
22	000 239 388 0	Contact washer		A10	3	
23	000 239 387 0	Contact washer		A 8	1	
24	000 238 132 0	Securing nut	Iso7042	M08	1	
25	000 237 339 0	Hexagonal screw	Iso4014	M08x35	1	
26	000 659 454 0	Pipe clamp		D 79	1	
27	000 956 373 1	Rear protec. tube			1	
28	000 235 533 0	Hexagonal screw	Iso4014	M10x45	3	
29	000 955 282 0	Angle		3x 20x 60	3	
30	000 945 223 1	Bearing housing			1	
31	000 179 838 0	Grease nipple	Din714	1/2 m 8x1	1	
32	000 930 649 0	Lock collar bear.		Grä 35 Nppb Os	1	
33	000 236 325 0	Threaded pin	Iso4029	m 8x10	1	
34	000 616 067 1	Tension ring		35	1	
35	000 955 284 0	Rear protec. tube			1	

**CLAAS**

**104**

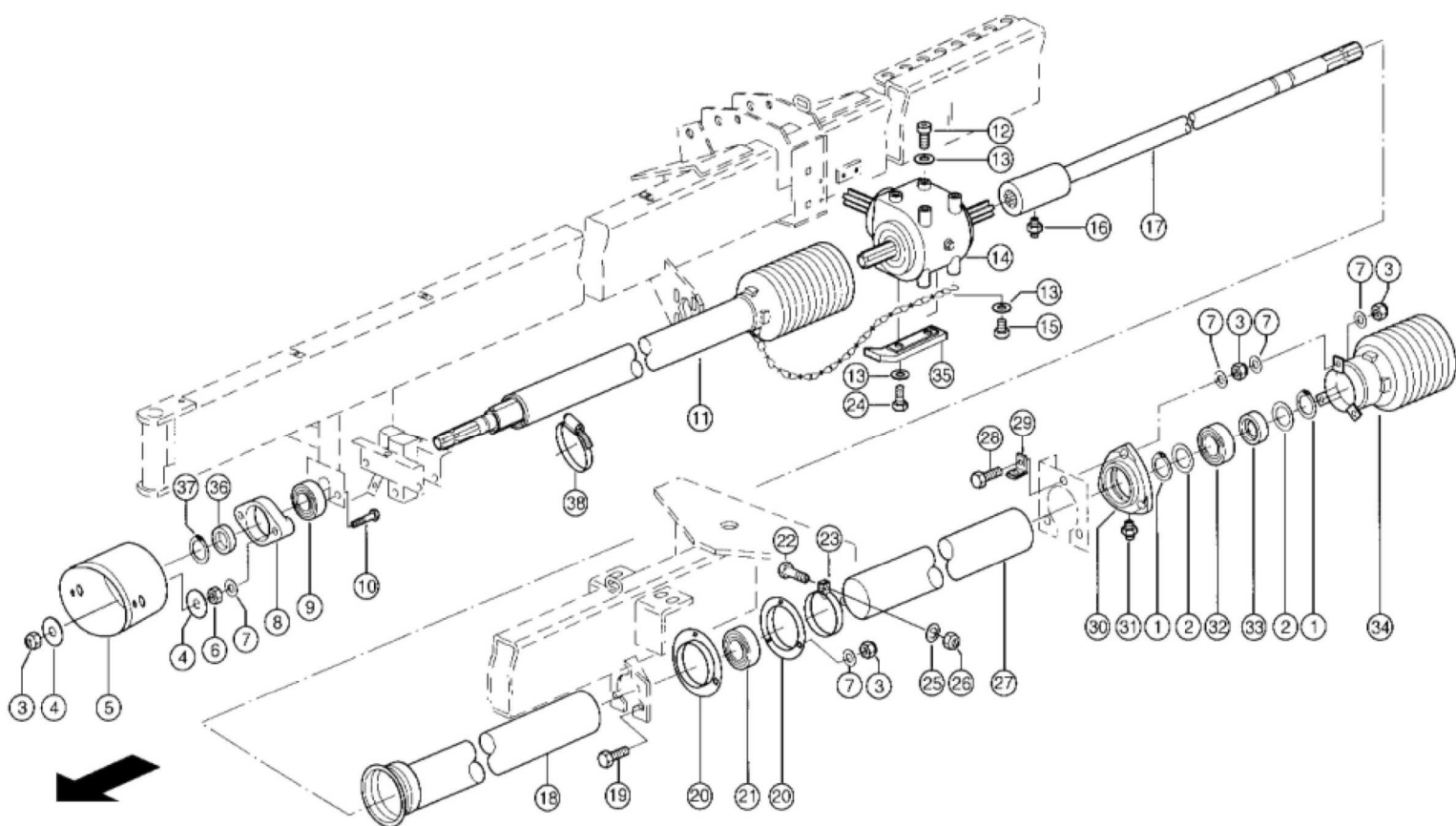


Characteristic: **MAIN DRIVE LINER 1550 TWIN PROFIL**

Illustration: **104A**

Pos.	Part-No.	Description	DIN	Dimension	Qty.	Remark
1	000 234 450 0	Circlip	D471	35x2,5	2	
2	000 234 385 0	Back-up washer	Din988	S 35 X 45	2	
3	000 237 947 0	Securing nut	Iso7042	M10	11	
4	000 234 323 0	Washer		11 X 37 X3	4	
5	000 975 378 0	Guard cup		A280 B200 L210	1	
6	000 236 171 0	Hexagonal nut	Iso4032	M10	2	
7	000 239 388 0	Contact washer		A10	8	
8	000 945 395 0	Bearing housing			1	
9	000 616 066 0	Lock collar bear.		Yen 207	1	from 398 0 3891
9	000 233 544 0	Grvd.ball bearing		35x72x17	1	to 398 0 3890
10	000 235 221 1	Hexagonal screw	Iso4017	M10x60	2	
11	000 924 540 0	Intermed.shaft			1	single parts plate 131 from 398 0 3891
11	000 955 271 1	Intermed.shaft			1	single parts plate 131 to 398 0 3890
12	000 237 761 1	Socket head screw	Iso4762	M12x 30	4	
13	000 239 389 0	Contact washer		A12	8	
14	000 954 096 1	Angle drive		Gt 40 T 1:1	1	single parts plate 105
15	000 237 458 0	Hexagonal screw	Iso4017	M12x20	2	
16	000 236 942 0	Grease nipple	Din7141	1/2 S6x1	1	
17	000 959 549 1	Drive shaft		hinten/3035 mm	1	
18	000 956 372 0	Protec. tube midd			1	
19	000 237 383 0	Hexagonal screw	Iso4017	M10x25	3	
20	000 616 068 1	Metal flange		Rb Y 207	2	
21	000 616 066 0	Lock collar bear.		Yen 207	1	
22	000 237 339 0	Hexagonal screw	Iso4014	M08x35	2	
23	000 659 454 0	Pipe clamp		D 79	2	
24	000 237 461 0	Hexagonal screw	Iso4017	M12x30	2	
25	000 239 387 0	Contact washer		A 8	2	
26	000 238 132 0	Securing nut	Iso7042	M08	2	
27	000 956 373 1	Rear protec. tube			1	
28	000 235 533 0	Hexagonal screw	Iso4014	M10x45	3	
29	000 955 282 0	Angle		3x 20x 60	3	
30	000 945 223 1	Bearing housing			1	
31	000 179 838 0	Grease nipple	Din7141	1/2 m 8x1	1	
32	000 930 649 0	Lock collar bear.		Grä 35 Nppb Os	1	
33	000 616 067 1	Tension ring		35	1	
34	000 955 284 0	Rear protec. tube			1	
35	000 975 447 0	Plate			1	
36	000 616 067 1	Tension ring		35	1	from 398 0 3891
36	000 234 385 0	Back-up washer	Din988	S 35 X 45	1	to 398 0 3890
37	000 234 450 0	Circlip	D471	35x2,5	1	to 398 0 3890
38	000 239 241 3	Hose clamp	Din3017	A1- 50-70x12	1	





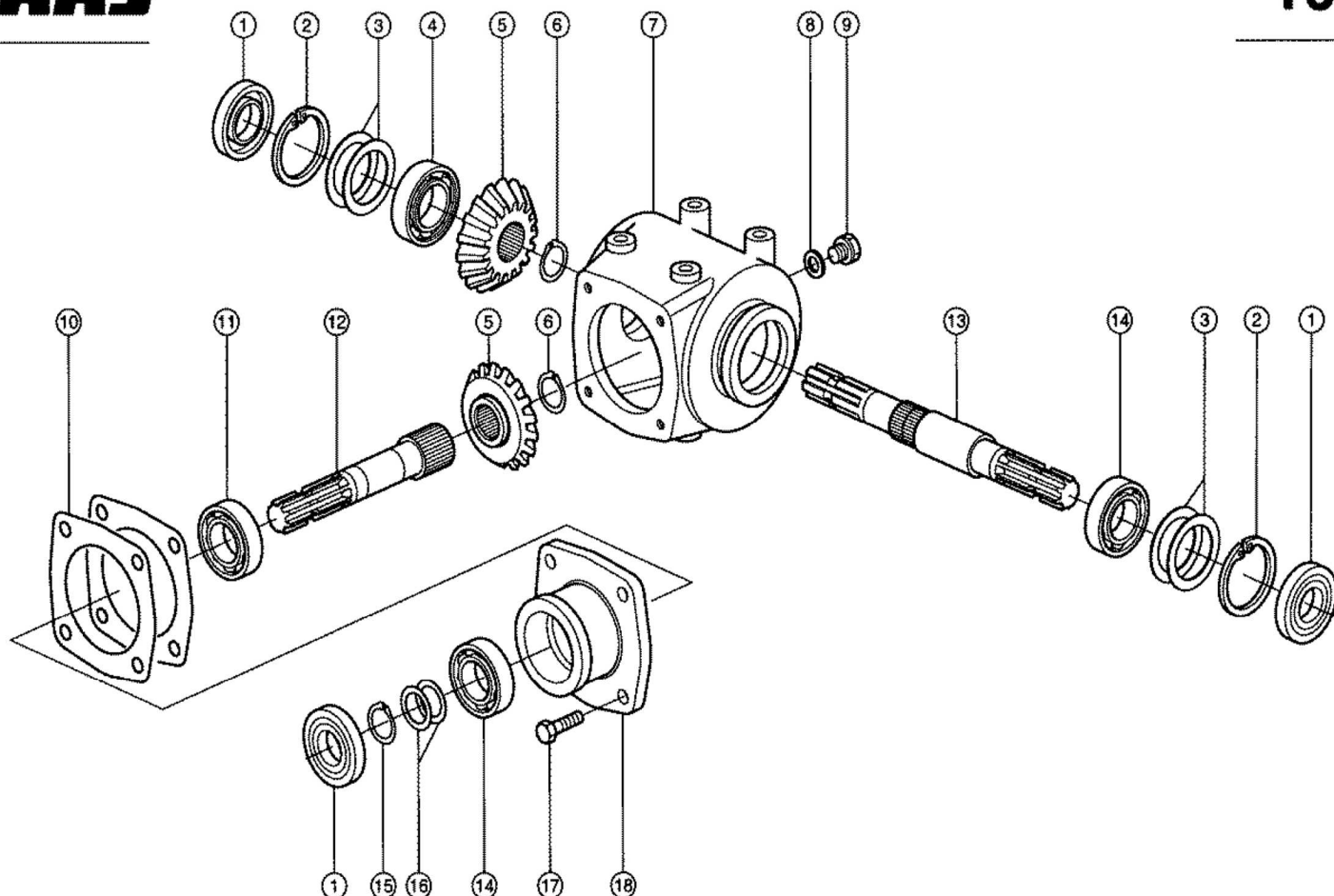
Characteristic: **ANGLE DRIVE GEAR BOX**

Illustration: **105**

Pos.	Part-No.	Description	DIN	Dimension	Qty.	Remark
-	000 954 096 1	Angle drive		Gt 40 T 1:1	1	
1	000 212 326 0	Shaft seal ring	D3760	As 35x 72x10	3	
2	000 235 186 0	Circlip	Din472	72x2,5	2	
3	000 234 433 0	Shims	Din988	56x72x1	N.B	
3	000 234 388 0	Back-up washer	Din988	S 56x 72	N.B	
3	000 234 401 0	Shims	Din988	56x72x0,1	N.B	
3	000 234 414 0	Shims	Din988	56x72x0,3	N.B	
3	000 234 425 0	Shims	Din988	56x72x0,5	N.B	
4	000 235 987 0	Ta.roller bearing	D720	30207 3db	1	
5	000 921 827 0	Gear wheel set		Satz = 2 Stck	1	
6	000 212 327 0	Circlip	D471	39x1,75	2	
7	000 921 823 0	Gearbox housing			1	
8	000 238 183 0	Seal ring	Din7603	A16 X20	1	
9	000 244 861 0	Screw plug	Din7604	A-M16x1,5	1	
10	000 921 828 0	Shims		Dicke 0,19	N.B	
10	000 921 829 0	Shims		Dicke 0,25	N.B	
10	000 921 830 0	Shims		Dicke 0,35	N.B	
11	000 243 670 0	Ta.roller bearing	D720	32207 J2/Q	1	
12	000 921 826 0	Shaft			1	
13	000 921 825 0	Shaft			1	
14	000 235 916 0	Grvd.ball bearing	D625	6207	2	
15	000 235 164 0	Circlip	D471	35x1,5	1	
16	000 234 431 0	Shims	Din988	35x45x1	N.B	
16	000 234 385 0	Back-up washer	Din988	S 35 X 45	N.B	
16	000 234 395 0	Shims	Din988	35x 45x0,1	N.B	
16	000 234 408 0	Shims	Din988	35x45x0,3	N.B	
16	000 234 420 0	Shims	Din988	35x45x0,5	N.B	
17	000 236 056 0	Hexagonal screw	Iso4017	M12x25	4	
18	000 921 824 0	Hub			1	

**CLAAS**

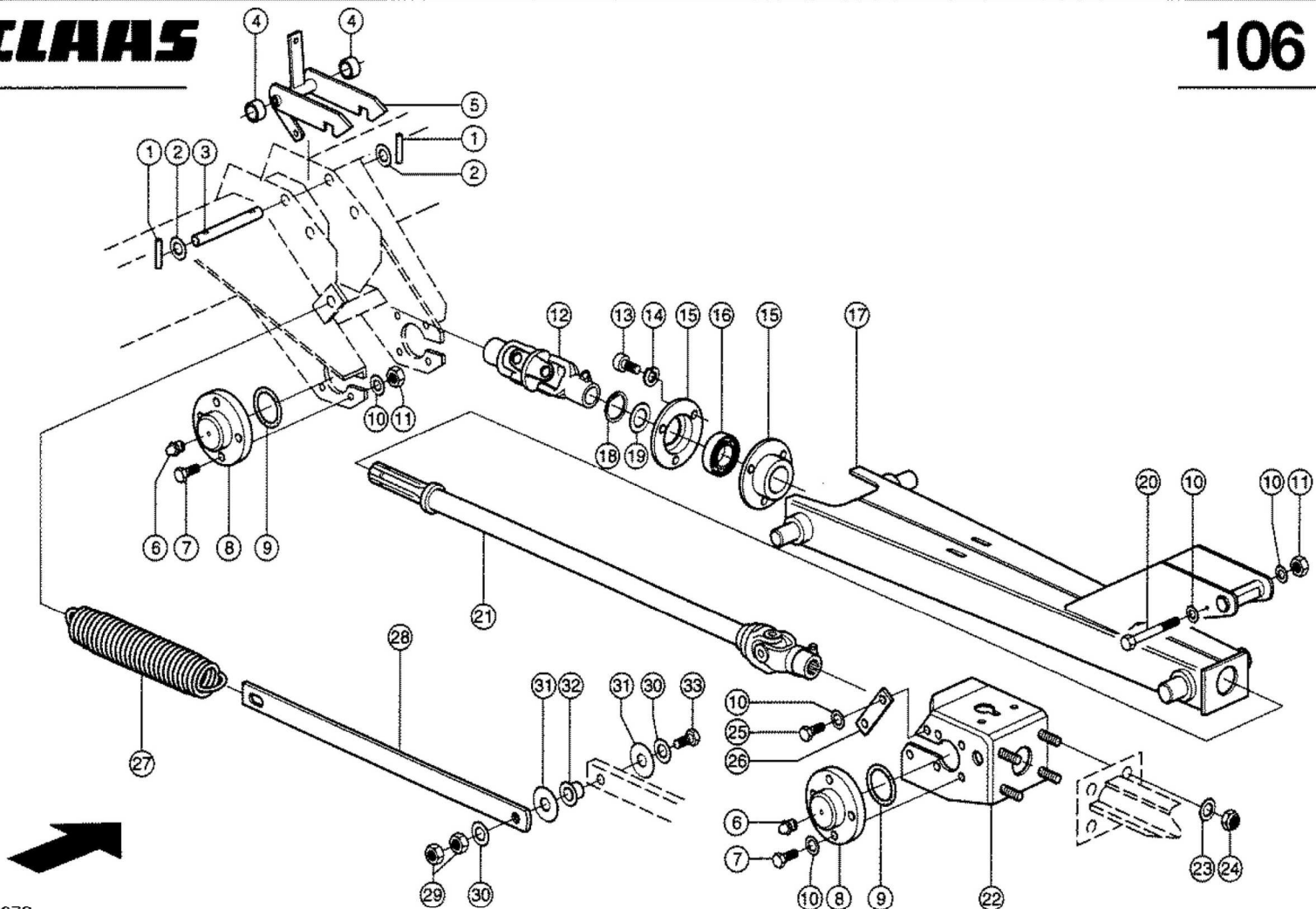
**105**



Pos.	Part-No.	Description	DIN	Dimension	Qty.	Remark
1	000 235 665 2	Tensioning pin	Iso8752	26 X 36 N-St	2	
2	000 236 950 0	Washer		16,5x 33 X1,5	2	
3	000 955 278 0	Pin		16h9x 178	1	
4	000 963 598 0	Bushing		25x 4x 14	2	
5	000 955 239 3	Lock			1	
6	000 236 942 0	Grease nipple	Din714	1/2 S6x1	4	
7	000 233 244 0	Hexagonal screw	Iso4017	M12x40-Mkl	16	
8	000 955 142 1	Bearing flange		D 130x 52	4	
9	000 712 326 1	O-ring	D3771	40,2 X3 -N	4	
10	000 239 389 0	Contact washer		A12	22	
11	000 238 234 0	Securing nut	Iso7042	M12	9	
12	000 983 268 2	Double joint			1	single parts plate 130
13	000 242 240 0	Socket head screw	Iso4762	M10x 20	3	
14	000 242 763 1	Circlip		10	3	
15	000 212 618 0	Metal flange		Mstr 72	2	
16	000 233 544 0	Grvd.ball bearing		35x72x17	1	
17	000 956 539 1	Jib right			1	
18	000 234 450 0	Circlip	D471	35x2,5	1	
19	000 234 385 0	Back-up washer	Din988	S 35 X 45	1	
20	000 242 381 0	Hexagonal screw	Iso4014	M12x130	1	
21	000 956 549 0	Intermed.shaft			1	single parts plate 129
22	000 955 220 3	Swinging head			1	
23	000 239 391 0	Contact washer		A16	4	
24	000 238 047 0	Securing nut	Iso7042	M16	4	
25	000 239 049 0	Hexagonal screw	Iso4017	M12x30-Mkl	12	
26	000 980 285 0	Strip		30x10x 110	2	
27	000 984 419 1	Tension spring		13,8 X 76,5x353	1	
28	000 956 571 1	Strip		30x10x 800	1	
29	000 236 172 0	Hexagonal nut	Iso4032	M12	2	
30	000 235 124 2	Washer	Iso7089	13 Ers.D. 2351	2	
31	000 242 668 0	Washer	D125	25	2	
32	000 909 945 1	Bushing		D32h9x 15	1	
33	000 235 555 0	Hexagonal screw	Iso4014	M12x55	1	

**CLAAS**

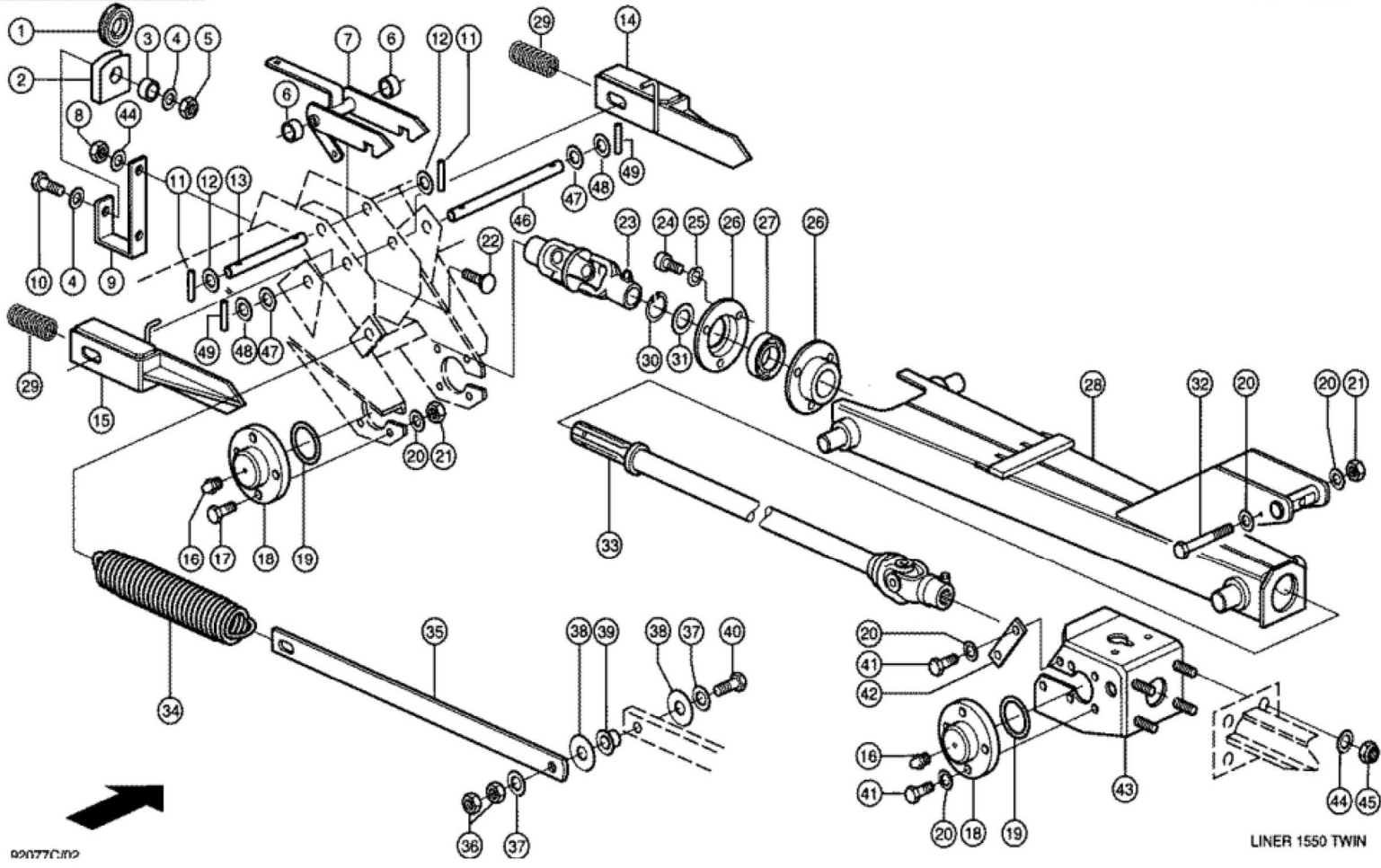
**106**



Characteristic: **ARM - R.H. LINER 1550 TWIN**

Illustration: **106A**

Pos.	Part-No.	Description	DIN	Dimension	Qty.	Remark
1	000 965 693 0	Cable roller		D22x60	1	
2	000 965 709 0	Rip cord guide			1	
3	000 945 196 1	Spacer bush			1	
4	000 239 390 0	Contact washer		A14	1	
5	000 233 587 0	Securing nut	Iso7042	M14	1	
6	000 963 598 0	Bushing		25x 4x 14	2	
7	000 956 897 0	Lock			1	
8	000 236 173 0	Hexagonal nut	Iso4032	M16	2	
9	000 956 896 0	Support		40x 8x 345	1	
10	000 211 310 1	Hexagonal screw	Iso4014	M14x50x24	1	
11	000 235 665 2	Tensioning pin	Iso8752	26 X 36 N-St	2	
12	000 238 205 0	Washer		16,5x 33 X2	2	
13	000 955 278 0	Pin		16h9x 178	1	
14	000 956 876 0	Stop l.h.			1	
15	000 956 880 0	Stop r.h.			1	
16	000 236 942 0	Grease nipple	Din7141	S6x1	4	
17	000 233 244 0	Hexagonal screw	Iso4017	M12x40-Mkl	8	
18	000 955 142 1	Bearing flange		D 130x 52	4	
19	000 712 326 1	O-ring	D3771	40,2 X3 -N	4	
20	000 239 389 0	Contact washer		A12	22	
21	000 238 234 0	Securing nut	Iso7042	M12	9	
22	000 212 575 0	Flat head bolt	Din603	M16x 35-F=7	2	
23	000 983 268 2	Double joint			1	single parts plate 130
24	000 242 240 0	Socket head screw	Iso4762	M10x 20	3	
25	000 242 763 1	Circlip		10	3	
26	000 212 618 0	Metal flange		Mstr 72	2	
27	000 233 544 0	Grvd.ball bearing		35x72x17	1	
28	000 956 539 1	Jib right			1	
29	000 904 654 1	Compress.spring		10 X 44 X107	2	
30	000 234 450 0	Circlip	D471	35x2,5	1	
31	000 234 385 0	Back-up washer	Din988	S 35 X 45	1	
32	000 242 381 0	Hexagonal screw	Iso4014	M12x130	1	
33	000 956 549 0	Intermed.shaft			1	single parts plate 129
34	000 984 419 1	Tension spring		13,8 X 76,5x353	1	
35	000 956 571 1	Strip		30x10x 800	1	
36	000 236 172 0	Hexagonal nut	Iso4032	M12	2	
37	000 235 124 2	Washer	Iso7089	13 Ers.D. 2351	2	
38	000 242 668 0	Washer	D125	25	2	
39	000 909 945 1	Bushing		D32h9x 15	1	
40	000 235 555 0	Hexagonal screw	Iso4014	M12x55	1	
41	000 239 049 0	Hexagonal screw	Iso4017	M12x30-Mkl	12	
42	000 980 285 0	Strip		30x10x 110	2	
43	000 955 220 3	Swinging head			1	
44	000 239 391 0	Contact washer		A16	6	
45	000 238 047 0	Securing nut	Iso7042	M16	4	
46	000 956 873 0	Pin		D25h9x370	1	
47	000 234 235 0	Washer		26 X 37 X1	2	
48	000 234 298 0	Washer		26 X 37 X2	2	
49	000 236 901 2	Tensioning pin	Iso8752	28x 36-N	2	

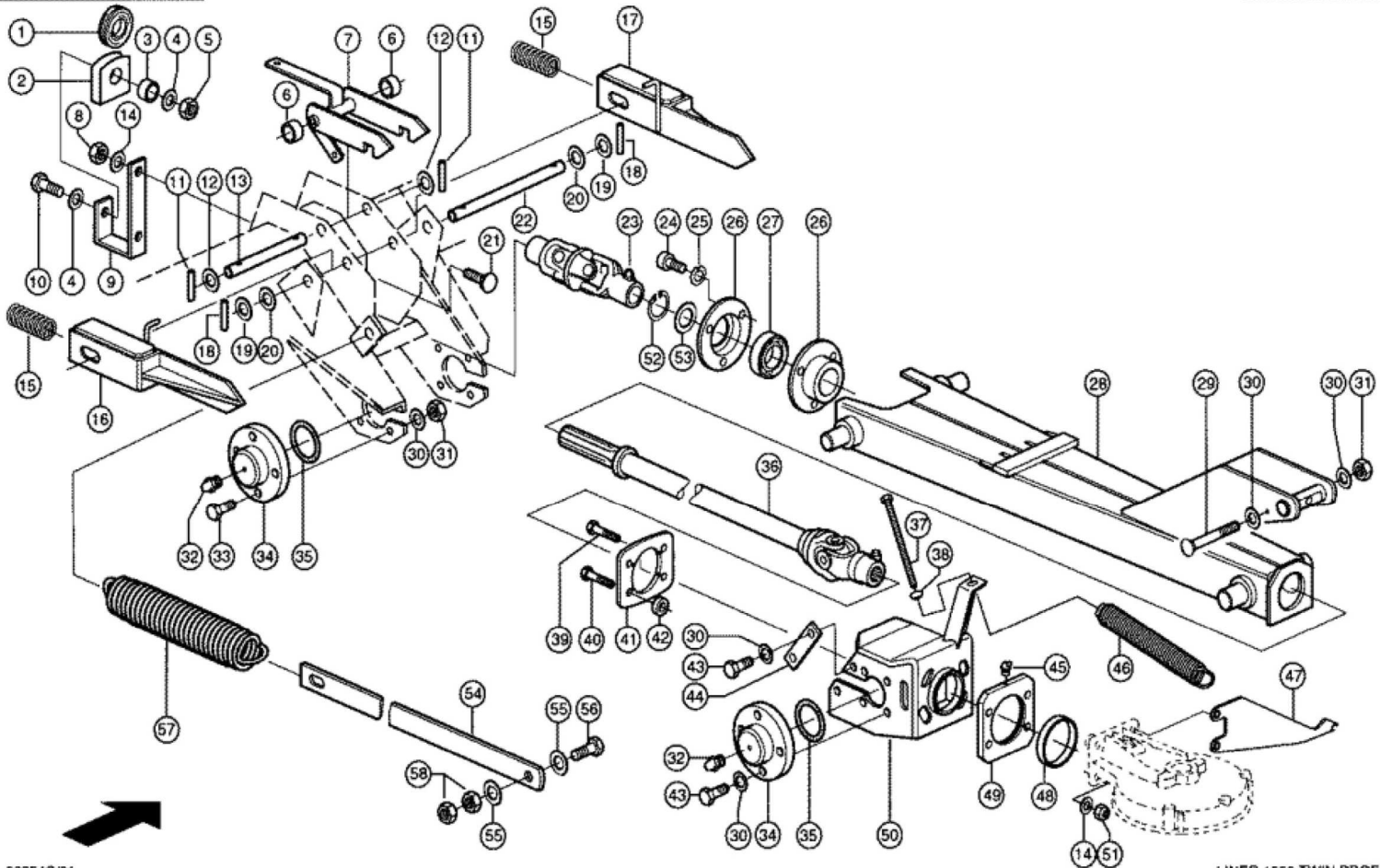


926771.02

LINER 1550 TWIN

Characteristic: **ARM - R.H. LINER 1550 TWIN PROFIL**Illustration: **106B**

Pos.	Part-No.	Description	DIN	Dimension	Qty.	Remark
1	000 965 693 0	Cable roller		D22x60	1	
2	000 965 709 0	Rip cord guide			1	
3	000 945 196 1	Spacer bush			1	
4	000 239 390 0	Contact washer		A14	1	
5	000 233 587 0	Securing nut	Iso7042	M14	1	
6	000 963 598 0	Bushing		25x 4x 14	2	
7	000 956 897 0	Lock			1	
8	000 236 173 0	Hexagonal nut	Iso4032	M16	2	
9	000 956 896 0	Support		40x 8x 345	1	
10	000 211 310 1	Hexagonal screw	Iso4014	M14x50x24	1	
11	000 235 665 2	Tensioning pin	Iso8752	6 X 36 N-St	2	
12	000 238 205 0	Washer		16,5x 33 X2	2	
13	000 955 278 0	Pin		16h9x 178	1	
14	000 239 391 0	Contact washer		A16	10	
15	000 904 654 1	Compress.spring		10 X 44 X107	2	
16	000 956 880 0	Stop r.h.			1	
17	000 956 876 0	Stop l.h.			1	
18	000 236 901 2	Tensioning pin	Iso8752	8x 36-N	2	
19	000 234 298 0	Washer		26 X 37 X2	2	
20	000 234 235 0	Washer		26 X 37 X1	2	
21	000 212 575 0	Flat head bolt	Din603	M16x 35-F=7	2	
22	000 956 873 0	Pin		D25h9x370	1	
23	000 983 268 2	Double joint			1	single parts plate 130
24	000 242 240 0	Socket head screw	Iso4762	M10x 20	3	
25	000 242 763 1	Circlip		10	3	
26	000 212 618 0	Metal flange		Mstr 72	2	
27	000 233 544 0	Grvd.ball bearing		35x72x17	1	
28	000 975 053 0	Jib right			1	
29	000 233 905 0	Flat head bolt	Din603	M12x130	1	
30	000 239 389 0	Contact washer		A12	22	
31	000 238 234 0	Securing nut	Iso7042	M12	9	
32	000 236 942 0	Grease nipple	Din714	1/2 S6x1	4	
33	000 233 244 0	Hexagonal screw	Iso4017	M12x40-Mkl	8	
34	000 955 142 1	Bearing flange		D 130x 52	4	
35	000 712 326 1	O-ring	D3771	40,2 X3 -N	4	
36	000 956 549 0	Intermed.shaft			1	single parts plate 129
37	000 951 199 0	Tension spring			1	
38	000 928 101 0	Domed washer			1	
39	000 235 593 0	Hexagonal screw	Iso4014	M16x90	2	
40	000 237 841 0	Hexagonal screw	Iso4014	M16x80-Cp	2	
41	000 957 628 0	Plate		178x 145x15	1	
42	000 957 651 0	Bushing		Rd25h9	4	
43	000 239 049 0	Hexagonal screw	Iso4017	M12x30-Mkl	12	
44	000 980 285 0	Strip		30x10x 110	2	
45	000 244 946 0	Grease nipple		B M8x1	1	
46	000 951 199 0	Tension spring			1	
47	000 974 532 0	Strip		6x161x 247	1	
48	000 957 657 1	Bushing			1	
49	000 957 626 1	Plate		15x 155x 165	1	
50	000 974 446 0	Swinging head			1	
51	000 238 047 0	Securing nut	Iso7042	M16	4	
52	000 234 450 0	Circlip	D471	35x2,5	1	
53	000 234 385 0	Back-up washer	Din988	S 35 X 45	1	
54	000 956 571 1	Strip		30x10x 800	1	
55	000 235 124 2	Washer	Iso7089	13 Ers.D. 2351	2	
56	000 235 555 0	Hexagonal screw	Iso4014	M12x55	1	
57	000 984 419 1	Tension spring		13,8 X 76,5x353	1	
58	000 236 172 0	Hexagonal nut	Iso4032	M12	2	

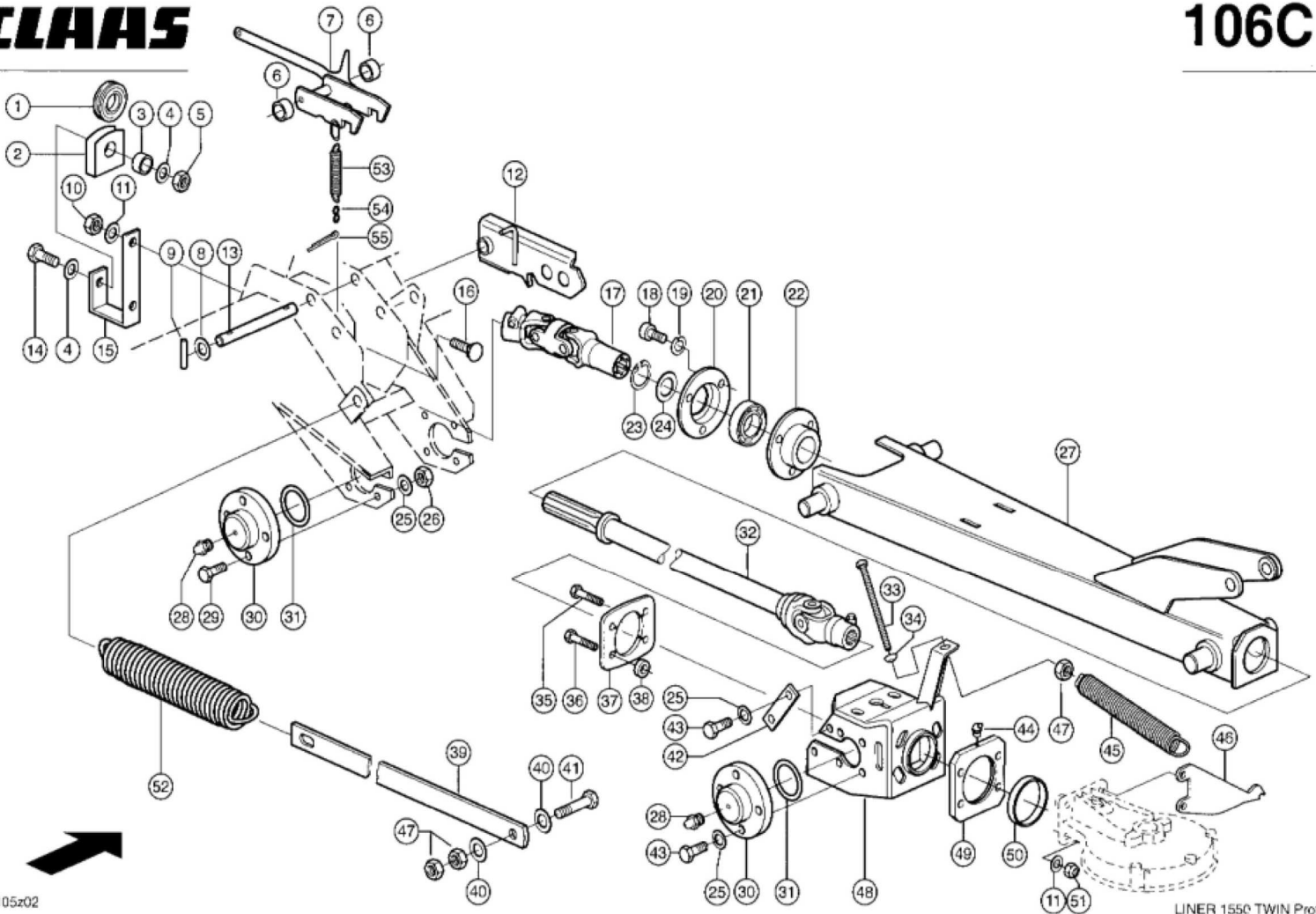


Characteristic: **ARM - R.H. LINER 1550 TWIN PROFIL**

Illustration: **106C**

Pos.	Part-No.	Description	DIN	Dimension	Qty.	Remark
1	000 965 693 0	Cable roller		D22x60	1	
2	000 965 709 0	Rip cord guide			1	
3	000 945 196 1	Spacer bush			1	
4	000 239 390 0	Contact washer		A14	1	
5	000 233 587 0	Securing nut	Iso7042	M14	1	
6	000 963 598 0	Bushing		25x 4x 14	2	
7	000 975 436 6	Lock			1	
8	000 238 205 0	Washer		16,5x 33 X2	2	
9	000 235 665 2	Tensioning pin	Iso8752	26 X 36 N-St	2	
10	000 236 173 0	Hexagonal nut	Iso4032	M16	2	
11	000 239 391 0	Contact washer		A16	10	
12	000 975 322 3	Stop			1	
13	000 955 278 0	Pin		16h9x 178	1	
14	000 211 310 1	Hexagonal screw	Iso4014	M14x50x24	1	
15	000 956 896 0	Support		40x 8x 345	1	
16	000 212 575 0	Flat head bolt	Din603	M16x 35-F=7	2	
17	000 983 268 2	Double joint			1	single parts plate 130
18	000 242 240 0	Socket head screw	Iso4762	M10x 20	3	
19	000 242 763 1	Circlip		10	3	
20	000 212 618 0	Metal flange		Mstr 72	1	
21	000 233 544 0	Grvd.ball bearing		35x72x17	1	
22	000 212 618 0	Metal flange		Mstr 72	1	
23	000 238 105 0	Circlip	Din471	30x2	1	
24	000 234 383 0	Back-up washer	Din988	S 30x42x2,5	1	
25	000 239 389 0	Contact washer		A12	20	
26	000 238 234 0	Securing nut	Iso7042	M12	8	
27	000 974 463 2	Jib right		L1550twin	1	
28	000 236 942 0	Grease nipple	Din714	1/2 S6x1	4	
29	000 233 244 0	Hexagonal screw	Iso4017	M12x40-Mkl	8	
30	000 955 142 1	Bearing flange		D 130x 52	4	
31	000 712 326 1	O-ring	D3771	40,2 X3 -N	4	
32	000 956 549 0	Intermed.shaft			1	single parts plate 129
33	000 244 422 0	Hexagonal screw	Iso4017	M12x220	1	
34	000 928 101 0	Domed washer			1	
35	000 235 593 0	Hexagonal screw	Iso4014	M16x90	2	
36	000 237 841 0	Hexagonal screw	Iso4014	M16x80-Cp	2	
37	000 957 628 0	Plate		178x 145x15	1	
38	000 957 651 0	Bushing		Rd25h9	4	
39	000 956 571 1	Strip		30x10x 800	1	
40	000 235 124 2	Washer	Iso7089	13 Ers.D. 2351	2	
41	000 237 815 0	Hexagonal screw	Iso4014	M12x65	1	
42	000 980 285 0	Strip		30x10x 110	2	
43	000 239 049 0	Hexagonal screw	Iso4017	M12x30-Mkl	12	
44	000 244 946 0	Grease nipple		B M8x1	1	
45	000 951 199 0	Tension spring			1	
46	000 974 532 2	Strip		6x171x 292	1	
47	000 236 172 0	Hexagonal nut	Iso4032	M12	2	
48	000 974 446 2	Swinging head			1	
49	000 957 626 1	Plate		15x 155x 165	1	
50	000 957 657 1	Bushing			1	
51	000 238 047 0	Securing nut	Iso7042	M16	4	
52	000 984 419 1	Tension spring		13,8 X 76,5x353	1	
53	000 930 887 0	Tension spring		2 X 15 X 98	1	from 398 0 4384
54	000 978 482 0	S-hook		D 4	1	from 398 0 4384
55	000 237 033 0	Split pin	I1234	6,3x 40	1	from 398 0 4384

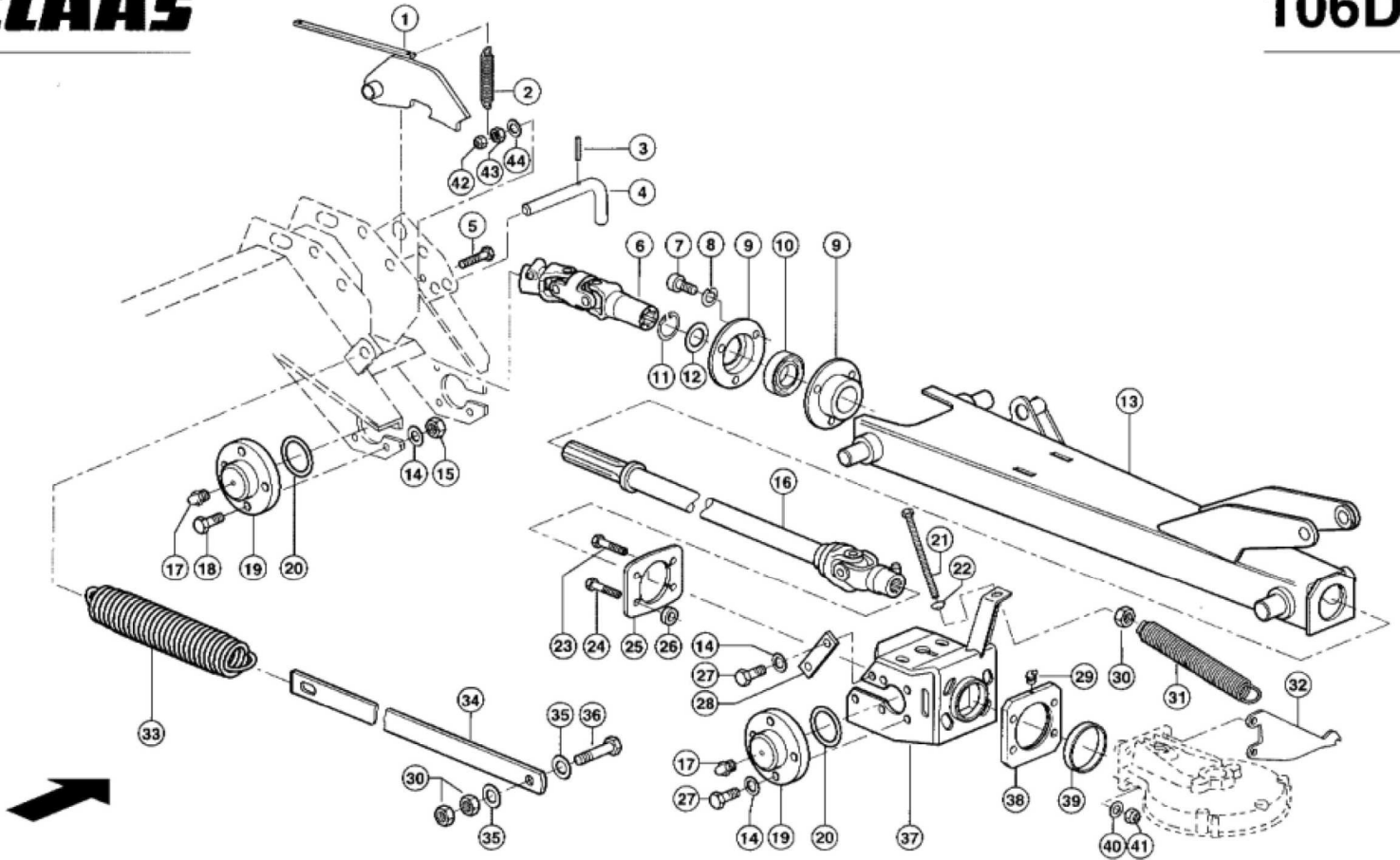




Characteristic: **ARM - R.H. LINER 1550 TWIN PROFIL**

Illustration: **106D**

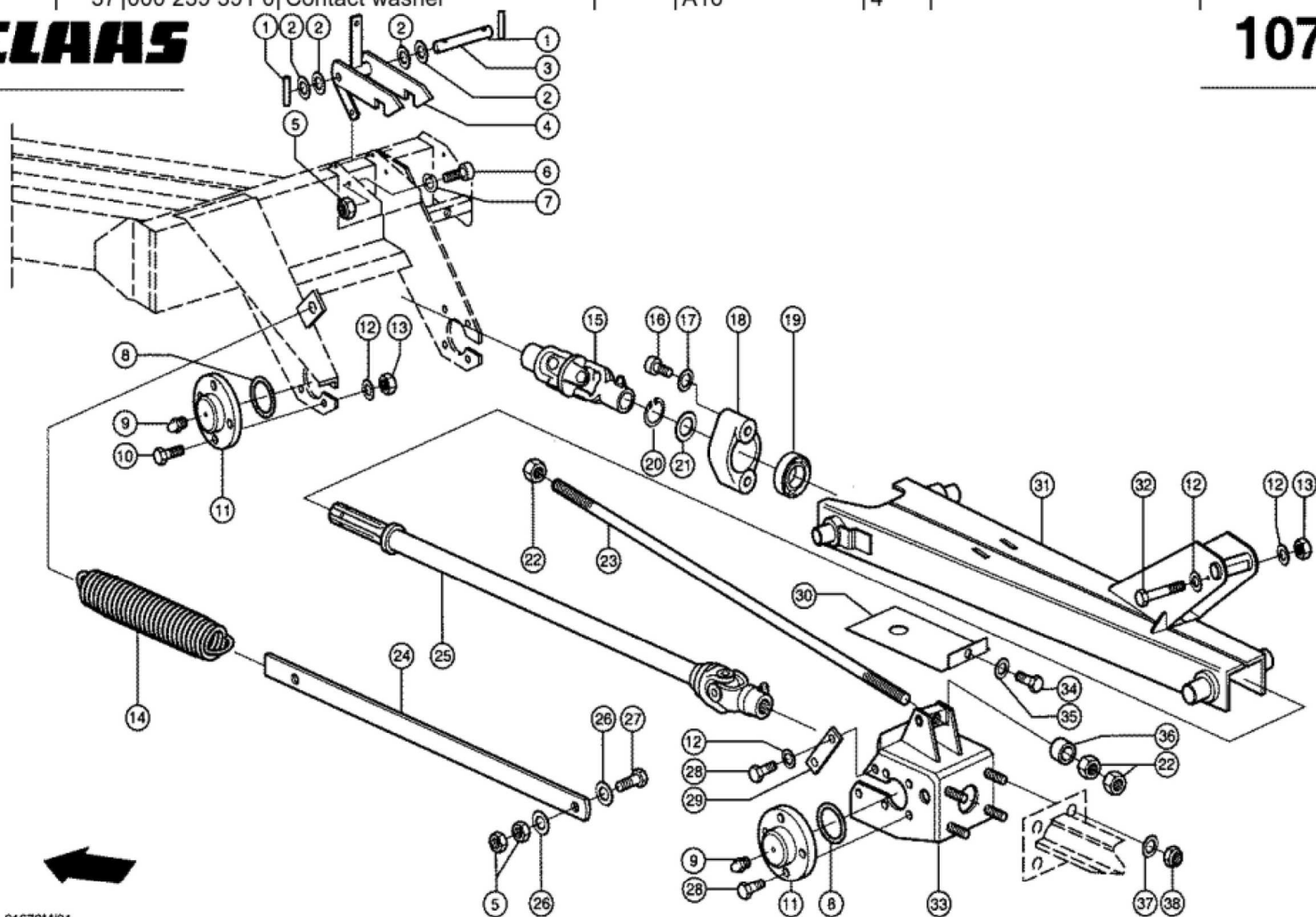
Pos.	Part-No.	Description	DIN	Dimension	Qty.	Remark
1	000 494 056 1	Lock			1	
2	000 930 887 0	Tension spring		2 X 15 X 98	1	
3	000 237 616 2	Tensioning pin	Iso8752	26 X 20-N	1	
4	000 494 252 0	Pin		D16h9x190	1	
5	000 237 874 0	Hexagonal screw	Iso4017	M10x35	1	
6	000 983 268 2	Double joint			1	single parts plate 130
7	000 242 240 0	Socket head screw	Iso4762	M10x 20	3	
8	000 242 763 1	Circlip		10	3	
9	000 212 618 0	Metal flange		Mstr 72	2	
10	000 233 544 0	Grvd.ball bearing		35x72x17	1	
11	000 234 450 0	Circlip	D471	35x2,5	1	
12	000 234 385 0	Back-up washer	Din988	S 35 X 45	1	
13	000 494 368 0	Jib front right		L1550twin	1	
14	000 239 389 0	Contact washer		A12	20	
15	000 238 234 0	Securing nut	Iso7042	M12	8	
16	000 956 549 0	Intermed.shaft			1	single parts plate 129
17	000 236 942 0	Grease nipple	Din7141	1/2 S6x1	4	
18	000 233 244 0	Hexagonal screw	Iso4017	M12x40-Mkl	8	
19	000 955 142 1	Bearing flange		D 130x 52	4	
20	000 712 326 1	O-ring	D3771	40,2 X3 -N	4	
21	000 244 422 0	Hexagonal screw	Iso4017	M12x220	1	
22	000 928 101 0	Domed washer			1	
23	000 235 593 0	Hexagonal screw	Iso4014	M16x90	2	
24	000 237 841 0	Hexagonal screw	Iso4014	M16x80-Cp	2	
25	000 957 628 0	Plate		178x 145x15	1	
26	000 957 651 0	Bushing		Rd25h9	4	
27	000 239 049 0	Hexagonal screw	Iso4017	M12x30-Mkl	12	
28	000 980 285 0	Strip		30x10x 110	2	
29	000 244 946 0	Grease nipple		B M8x1	1	
30	000 236 172 0	Hexagonal nut	Iso4032	M12	2	
31	000 951 199 0	Tension spring			1	
32	000 974 532 2	Strip		6x171x 292	1	
33	000 984 419 1	Tension spring		13,8 X 76,5x353	1	
34	000 956 571 1	Strip		30x10x 800	1	
35	000 235 124 2	Washer	Iso7089	13 Ers.D. 2351	2	
36	000 235 555 0	Hexagonal screw	Iso4014	M12x55	1	
37	000 974 446 2	Swinging head			1	
38	000 957 626 1	Plate		15x 155x 165	1	
39	000 957 657 1	Bushing			1	
40	000 239 391 0	Contact washer		A16	4	
41	000 238 047 0	Securing nut	Iso7042	M16	4	
42	000 237 947 0	Securing nut	Iso7042	M10	1	
43	000 236 171 0	Hexagonal nut	Iso4032	M10	1	
44	000 239 388 0	Contact washer		A10	1	



Pos.	Part-No.	Description	DIN	Dimension	Qty.	Remark
1	000 235 665 2	Tensioning pin	Iso8752	26 X 36 N-St	2	
2	000 238 205 0	Washer		16,5x 33 X2	6	
3	000 956 518 0	Pin		16h9x135x148	1	
4	000 955 239 3	Lock			1	
5	000 236 172 0	Hexagonal nut	Iso4032	M12	5	
6	000 237 761 1	Socket head screw	Iso4762	M12x 30	1	
7	000 242 824 1	Circlip		12	1	
8	000 712 326 1	O-ring	D3771	40,2 X3 -N	4	
9	000 236 942 0	Grease nipple	Din714	1/2 S6x1	4	
10	000 233 244 0	Hexagonal screw	Iso4017	M12x40-Mkl	8	
11	000 955 142 1	Bearing flange		D 130x 52	1	
12	000 239 389 0	Contact washer		A12	22	
13	000 238 234 0	Securing nut	Iso7042	M12	9	
14	000 984 419 1	Tension spring		13,8 X 76,5x353	1	
15	000 983 268 2	Double joint			1	single parts plate 130
16	000 242 242 0	Socket head screw	Iso4762	M10x 40	2	
17	000 242 763 1	Circlip		10	2	
18	000 945 395 0	Bearing housing			1	
19	000 233 544 0	Grvd.ball bearing		35x72x17	1	
20	000 234 450 0	Circlip	D471	35x2,5	1	
21	000 234 385 0	Back-up washer	Din988	S 35 X 45	1	
22	000 237 521 0	Hexagonal nut	Iso4032	M20	3	
23	000 955 238 0	Spindle		20h9x1315	1	
24	000 956 572 0	Strip		30x10x 950	1	
25	000 955 554 0	Intermed.shaft			1	single parts plate 128
26	000 235 124 2	Washer	Iso7089	13 Ers.D. 2351	4	
27	000 235 555 0	Hexagonal screw	Iso4014	M12x55	2	
28	000 239 049 0	Hexagonal screw	Iso4017	M12x30-Mkl	12	
29	000 980 285 0	Strip		30x10x 110	2	
30	000 955 742 0	A.wrapp.guard		2 X 150x 311	1	
31	000 956 353 3	Jib rear			1	
32	000 242 381 0	Hexagonal screw	Iso4014	M12x130	1	
33	000 956 354 1	Swing.head rear			1	
34	000 237 570 0	Hexagonal screw	Iso4017	M10x16	1	
35	000 239 388 0	Contact washer		A10	1	
36	000 979 228 0	Bushing		30x 20e9x 20	1	
37	000 239 391 0	Contact washer		A16	4	

**CLAAS**

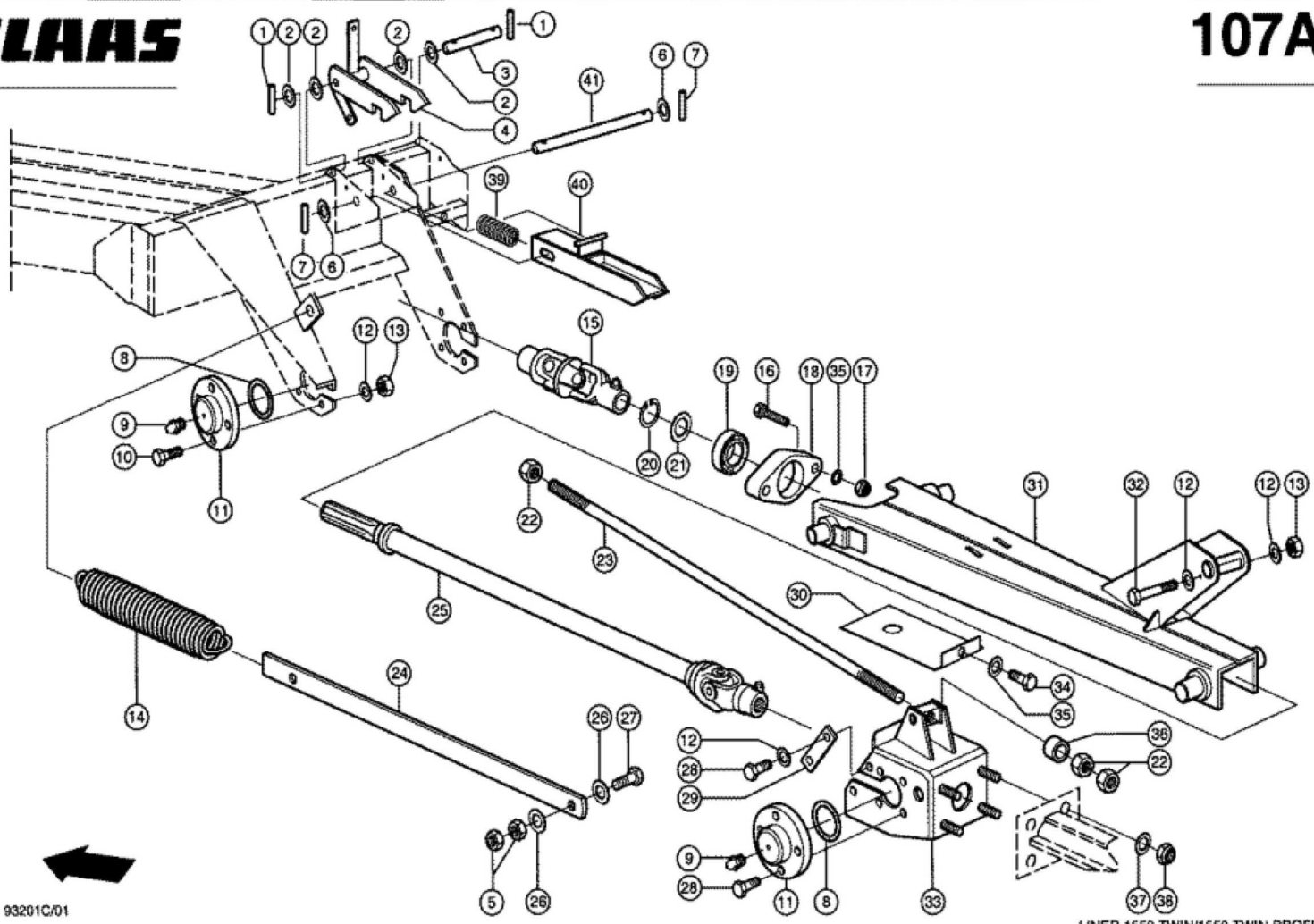
**107**



Characteristic: **ARM - REAR**

Illustration: **107A**

Pos.	Part-No.	Description	DIN	Dimension	Qty.	Remark
1	000 235 665 2	Tensioning pin	Iso8752	26 X 36 N-St	2	
2	000 238 205 0	Washer		16,5x 33 X2	4	
3	000 956 518 0	Pin		16h9x135x148	1	
4	000 955 239 3	Lock			1	
5	000 236 172 0	Hexagonal nut	Iso4032	M12	2	
6	000 234 298 0	Washer		26 X 37 X2	2	
7	000 236 901 2	Tensioning pin	Iso8752	28x 36-N	2	
8	000 712 326 1	O-ring	D3771	40,2 X3 -N	4	
9	000 236 942 0	Grease nipple	Din7141	1/2 S6x1	4	
10	000 233 244 0	Hexagonal screw	Iso4017	M12x40-Mkl	8	
11	000 955 142 1	Bearing flange		D 130x 52	1	
12	000 239 389 0	Contact washer		A12	22	
13	000 238 234 0	Securing nut	Iso7042	M12	9	
14	000 984 419 1	Tension spring		13,8 X 76,5x353	1	
15	000 959 546 0	Double joint			1	single parts plate 130 from 398 0 2724
15	000 983 268 2	Double joint			1	single parts plate 130 to 398 0 2723
16	000 235 535 0	Hexagonal screw	Iso4014	M10x55	2	
17	000 237 947 0	Securing nut	Iso7042	M10	2	
18	000 945 395 0	Bearing housing			1	
19	000 233 544 0	Grvd.ball bearing		35x72x17	1	
20	000 234 450 0	Circlip	D471	35x2,5	1	
21	000 234 385 0	Back-up washer	Din988	S 35 X 45	1	
22	000 237 521 0	Hexagonal nut	Iso4032	M20	3	
23	000 955 238 0	Spindle		20h9x1315	1	
24	000 956 572 0	Strip		30x10x 950	1	
25	000 959 900 0	Intermed.shaft			1	single parts plate 128 from 398 0 2724
25	000 955 554 0	Intermed.shaft			1	single parts plate 128 to 398 0 2723
26	000 235 124 2	Washer	Iso7089	13 Ers.D. 2351	2	
27	000 235 555 0	Hexagonal screw	Iso4014	M12x55	1	
28	000 239 049 0	Hexagonal screw	Iso4017	M12x30-Mkl	12	
29	000 980 285 0	Strip		30x10x 110	2	
30	000 955 742 0	A.wrapp.guard		2 X 150x 311	1	
31	000 956 353 3	Jib rear			1	
32	000 242 381 0	Hexagonal screw	Iso4014	M12x130	1	
33	000 956 354 1	Swing.head rear			1	
34	000 237 570 0	Hexagonal screw	Iso4017	M10x16	1	
35	000 239 388 0	Contact washer		A10	3	
36	000 979 228 0	Bushing		30x 20e9x 20	1	
37	000 239 391 0	Contact washer		A16	4	
38	000 238 047 0	Securing nut	Iso7042	M16	4	
39	000 904 654 1	Compress.spring		10 X 44 X107	1	
40	000 956 980 0	Stop		S	1	
41	000 956 517 0	Pin		25h9x148x165	1	



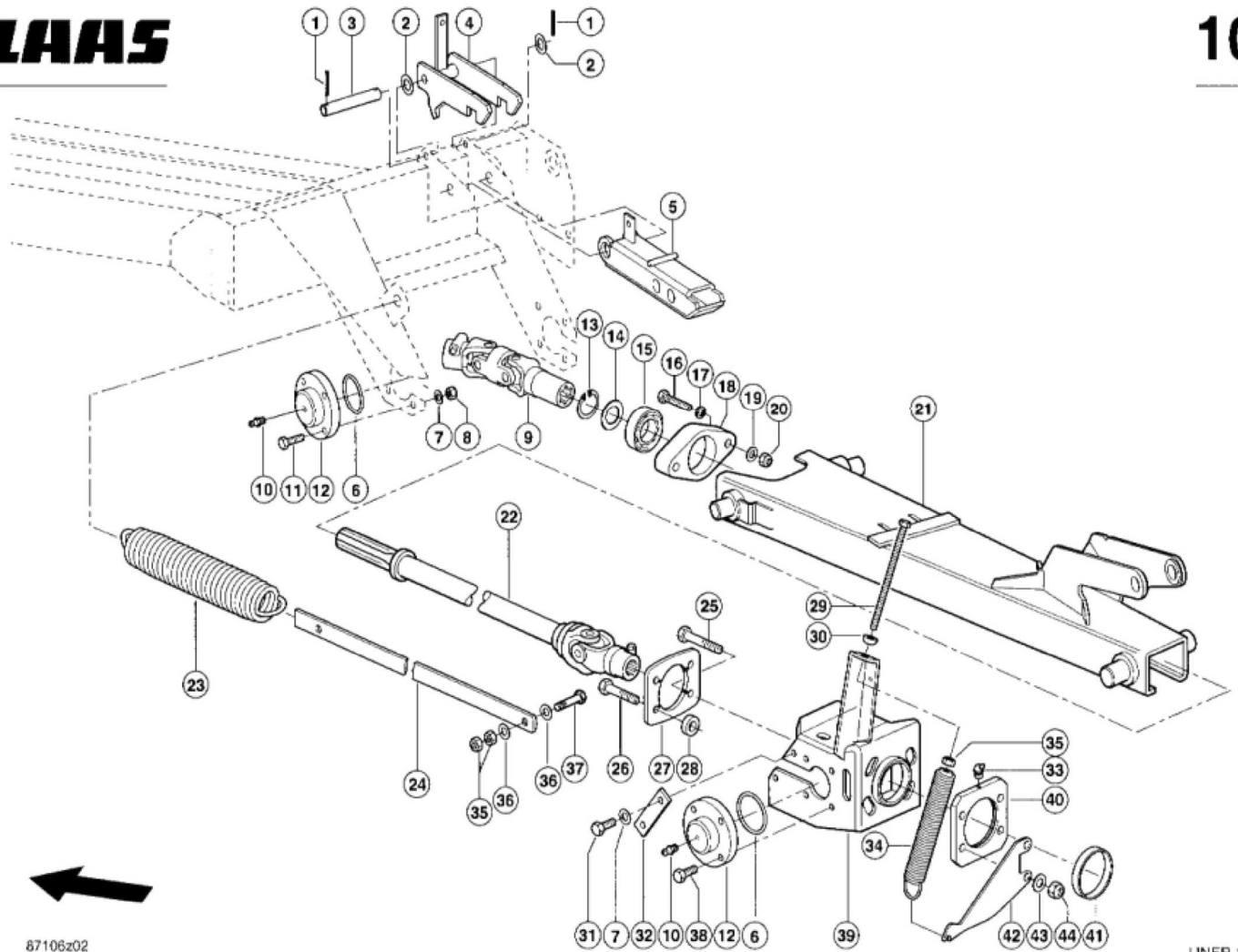
Characteristic: **ARM - REAR**

Illustration: **107B**

Pos.	Part-No.	Description	DIN	Dimension	Qty.	Remark
1	000 235 665 2	Tensioning pin	Iso8752	26 X 36 N-St	2	
2	000 238 205 0	Washer		16,5x 33 X2	4	
3	000 956 518 0	Pin		16h9x135x148	1	
4	000 924 639 2	Lock			1	from 398 0 4080
4	000 975 446 4	Lock			1	to 398 0 4079
4	000 955 239 3	Lock			1	to 398 0 3890
5	000 975 388 3	Stop		S	1	
6	000 712 326 1	O-ring	D3771	40,2 X3 -N	4	
7	000 239 389 0	Contact washer		A12	20	
8	000 238 234 0	Securing nut	Iso7042	M12	8	
9	000 959 546 0	Double joint			1	single parts plate 130
10	000 236 942 0	Grease nipple	Din7141	1/2 S6x1	4	
11	000 233 244 0	Hexagonal screw	Iso4017	M12x40-Mkl	8	
12	000 955 142 1	Bearing flange		D 130x 52	4	
13	000 234 450 0	Circlip	D471	35x2,5	1	
14	000 234 385 0	Back-up washer	Din988	S 35 X 45	1	
15	000 233 544 0	Grvd.ball bearing		35x72x17	1	from 398 0 2724
16	000 235 535 0	Hexagonal screw	Iso4014	M10x55	2	
17	000 242 763 1	Circlip		10	2	
18	000 945 395 0	Bearing housing			1	
19	000 239 388 0	Contact washer		A10	2	
20	000 237 947 0	Securing nut	Iso7042	M10	2	
21	000 975 204 2	Jib rear			1	
22	000 959 900 0	Intermed.shaft			1	single parts plate 128
23	000 984 419 1	Tension spring		13,8 X 76,5x353	1	
24	000 956 572 1	Strip		30x10x 945	1	
25	000 237 841 0	Hexagonal screw	Iso4014	M16x80-Cp	2	from 398 0 2724
26	000 235 593 0	Hexagonal screw	Iso4014	M16x90	2	
27	000 957 628 0	Plate		178x 145x15	1	
28	000 957 651 0	Bushing		Rd25h9	4	
29	000 244 422 0	Hexagonal screw	Iso4017	M12x220	1	
30	000 928 101 0	Domed washer			1	
31	000 239 049 0	Hexagonal screw	Iso4017	M12x30-Mkl	12	
32	000 980 285 0	Strip		30x10x 110	2	
33	000 244 946 0	Grease nipple		B M8x1	1	
34	000 951 199 0	Tension spring			1	
35	000 236 172 0	Hexagonal nut	Iso4032	M12	2	
36	000 235 124 2	Washer	Iso7089	13 Ers.D. 2351	2	
37	000 237 815 0	Hexagonal screw	Iso4014	M12x65	1	
38	000 239 049 0	Hexagonal screw	Iso4017	M12x30-Mkl	12	
39	000 975 220 1	Swing.head rear			1	
40	000 957 626 1	Plate		15x 155x 165	1	
41	000 957 657 1	Bushing			1	
42	000 974 532 2	Strip		6x171x 292	1	
43	000 239 391 0	Contact washer		A16	2	
44	000 238 047 0	Securing nut	Iso7042	M16	2	

**CLAAS**

**107B**



87106z02

LINER 1550 TWIN Profil



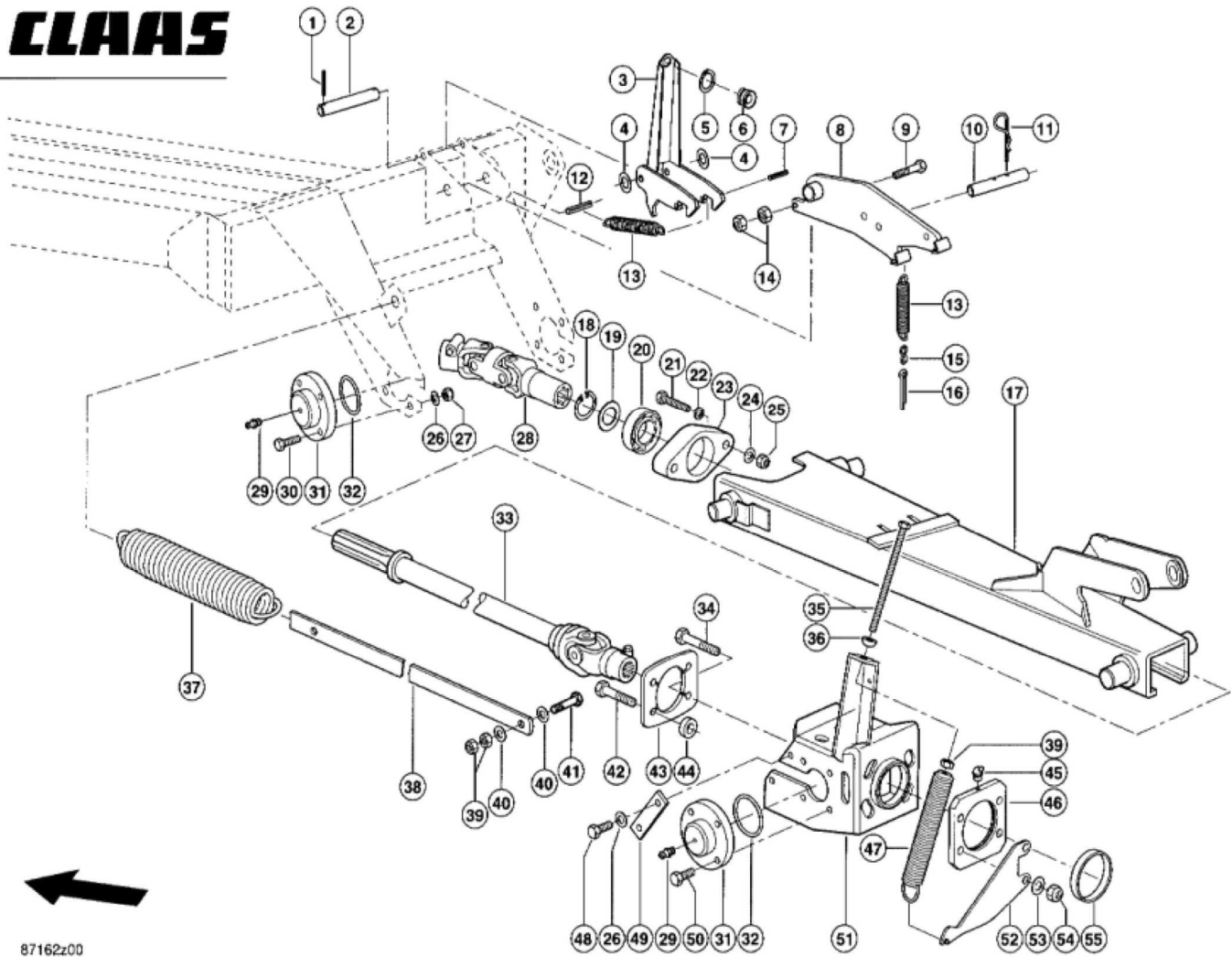
Characteristic: **ARM - REAR**

Illustration: **107C**

Pos.	Part-No.	Description	DIN	Dimension	Qty.	Remark
1	000 235 665 2	Tensioning pin	Iso8752	26 X 36 N-St	2	
2	000 956 518 0	Pin		16h9x135x148	1	
3	000 924 639 2	Lock			1	
4	000 238 205 0	Washer		16,5x 33 X2	4	
5	000 235 160 0	Circlip	Din471	25x1,2	1	
6	000 807 059 2	Steel-eyelet		30 X 12	1	
7	000 237 799 2	Tensioning pin	Iso8752	26 X 30-N	1	
8	000 494 196 0	Stop			1	
9	000 237 806 1	Hexagonal screw	Iso4017	M10x70	1	
10	000 494 058 0	Pin		D16h9x126	1	
11	000 665 666 0	Spring clip		3 X 77	1	
12	000 233 892 0	Tensioning pin	Iso8752	212 X 45	1	
13	000 930 887 0	Tension spring		2 X 15 X 98	2	
14	000 237 947 0	Securing nut	Iso7042	M10	2	
15	000 978 482 0	S-hook		D 4	1	
16	000 237 033 0	Split pin	I1234	6,3x 40	1	
17	000 975 204 2	Jib rear			1	
18	000 234 450 0	Circlip	D471	35x2,5	1	
19	000 234 385 0	Back-up washer	Din988	S 35 X 45	1	
20	000 233 544 0	Grvd.ball bearing		35x72x17	1	
21	000 235 535 0	Hexagonal screw	Iso4014	M10x55	2	
22	000 242 763 1	Circlip		10	2	
23	000 945 395 0	Bearing housing			1	
24	000 239 388 0	Contact washer		A10	2	
25	000 237 947 0	Securing nut	Iso7042	M10	2	
26	000 239 389 0	Contact washer		A12	20	
27	000 238 234 0	Securing nut	Iso7042	M12	8	
28	000 959 546 0	Double joint			1	single parts plate 130
29	000 236 942 0	Grease nipple	Din714	12 S6x1	4	
30	000 233 244 0	Hexagonal screw	Iso4017	M12x40-Mkl	8	
31	000 955 142 1	Bearing flange		D 130x 52	4	
32	000 712 326 1	O-ring	D3771	40,2 X3 -N	4	
33	000 959 900 0	Intermed.shaft			1	single parts plate 128
34	000 237 841 0	Hexagonal screw	Iso4014	M16x80-Cp	2	
35	000 244 422 0	Hexagonal screw	Iso4017	M12x220	1	
36	000 928 101 0	Domed washer			1	
37	000 984 419 1	Tension spring		13,8 X 76,5x353	1	
38	000 956 572 1	Strip		30x10x 945	1	
39	000 236 172 0	Hexagonal nut	Iso4032	M12	2	
40	000 235 124 2	Washer	Iso7089	13 Ers.D. 2351	2	
41	000 235 555 0	Hexagonal screw	Iso4014	M12x55	1	
42	000 235 593 0	Hexagonal screw	Iso4014	M16x90	2	
43	000 957 628 0	Plate		178x 145x15	1	
44	000 957 651 0	Bushing		Rd25h9	4	
45	000 244 946 0	Grease nipple		B M8x1	1	
46	000 957 626 1	Plate		15x 155x 165	1	
47	000 951 199 0	Tension spring			1	
48	000 239 049 0	Hexagonal screw	Iso4017	M12x30-Mkl	12	
49	000 980 285 0	Strip		30x10x 110	2	
50	000 239 049 0	Hexagonal screw	Iso4017	M12x30-Mkl	12	
51	000 975 220 1	Swing.head rear			1	
52	000 974 532 2	Strip		6x171x 292	1	
53	000 239 391 0	Contact washer		A16	2	
54	000 238 047 0	Securing nut	Iso7042	M16	2	
55	000 957 657 1	Bushing			1	

**CLAAS**

**107C**



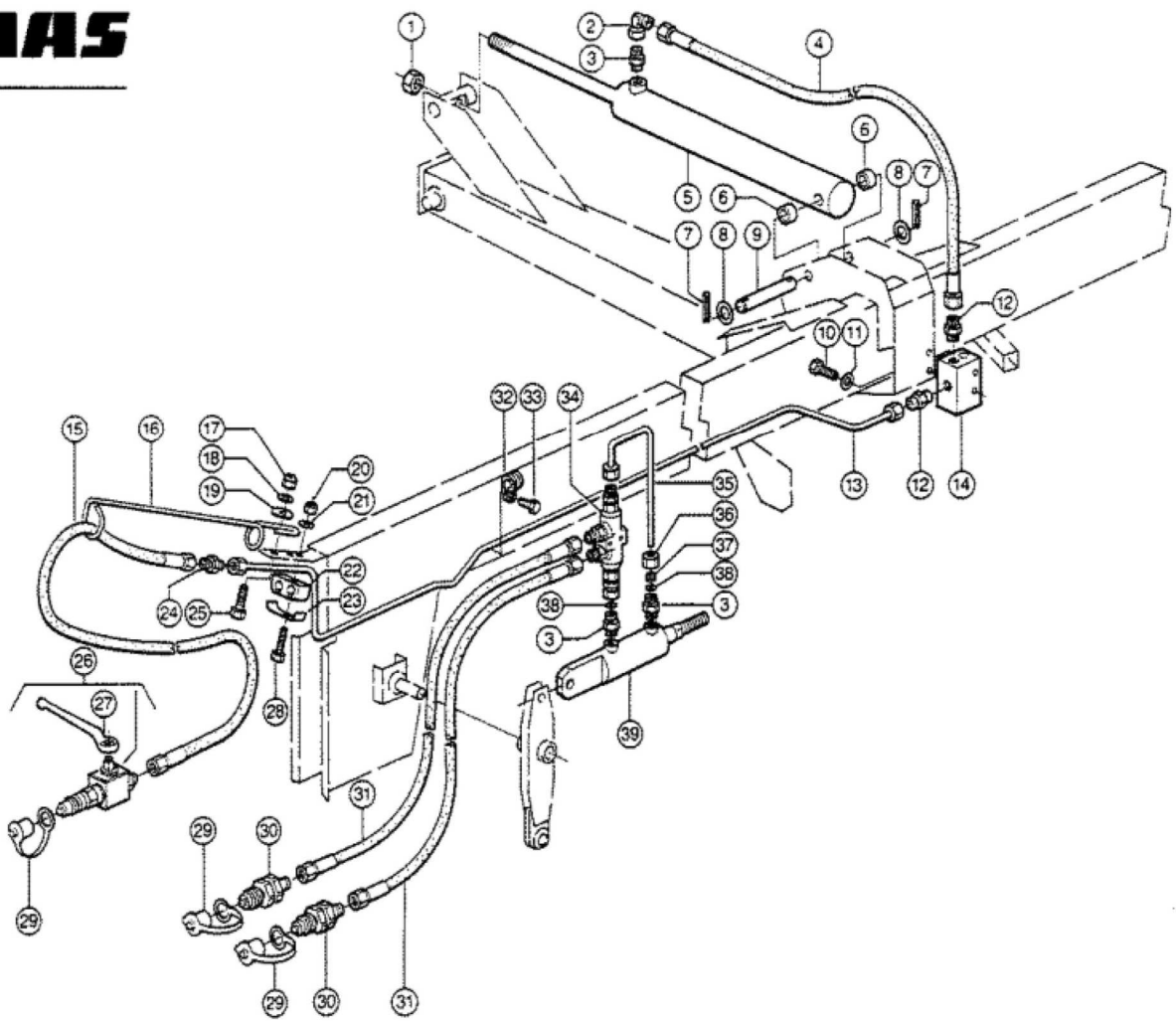
87162z00

LINER 1550 TWIN Profil

Characteristic: **HYDRAULICS - FRONT LINER 1550 TWIN**

Illustration: **108**

Pos.	Part-No.	Description	DIN	Dimension	Qty.	Remark
1	000 211 588 0	Hexagonal nut	Iso4035	M24	2	
2	000 238 693 0	Angle union	Iso8434	Stw-L10	2	
3	000 238 712 0	Screw-in union	Iso8434	Stds-L10xm14x1,5	4	
4	000 962 239 0	Hose pipe			1	
5	000 956 448 0	Hydr. cylinder		D 25 Hub 500	1	single parts plate 113
6	000 905 161 0	Spacer bush		D32x3 X 24	3	
7	000 236 901 2	Tensioning pin	Iso8752	28x 36-N	2	
8	000 234 298 0	Washer		26 X 37 X2	5	
9	000 955 279 0	Pin		25h9x 185	1	
10	000 236 200 0	Hexagonal screw	Iso4017	M08x20	2	
11	000 239 387 0	Contact washer		A 8	2	
12	000 212 513 0	Screw-in union	Iso8434	Stds-L10xm16x1,5	3	
13	000 956 565 0	Hydr. pipe		10x1 X2392	1	
14	000 954 700 0	Flow divider			1	
15	000 981 905 0	Hose pipe			1	
16	000 967 854 2	Pipe bracket			1	
17	000 237 947 0	Securing nut	Iso7042	M10	2	
18	000 239 388 0	Contact washer		A10	2	
19	000 523 126 0	Washer		10,5x 35 X5	2	
20	000 237 983 0	Securing nut	Iso7042	m 6	1	
21	000 239 392 0	Contact washer		B 6	9	
22	000 723 500 0	Double clamp		B 10	2	
23	000 656 254 1	Clamp		2x15x25x3	2	
24	000 238 707 0	Connect.Union	Iso8434	St-L10	1	
25	000 235 532 0	Hexagonal screw	Iso4014	M10x40	2	
26	000 953 462 0	Ball-type tap	Iso7241	Dra 8-10l	1	
27	000 941 398 0	Ball knob		Gekröpft, 120 m	1	
28	000 244 413 0	Hexagonal screw	Iso4017	m 6x35	1	
29	000 812 990 0	Dust cap	Iso7241	Dra 12,5 schwarz	3	
30	000 812 989 0	Coupler plug	Iso7241	Dra 12,5 - L10(M1)	2	
31	000 960 008 0	Hose pipe			2	
32	000 215 411 0	Pipe clamp	Din3016	D11-10x15	3	
33	000 237 464 0	Hexagonal screw	Iso4017	M06x12	3	
34	000 643 733 0	Lock-up valve ass			1	single parts plate 110
35	000 956 569 0	Hydr. pipe			1	
36	000 215 482 0	Union nut		A3 L10	4	
37	000 215 481 0	Profile ring		P-R10l/S	4	
38	000 572 104 2	Throttle plate		D10,1x0,8x1,0	2	
39	000 956 512 0	Hydr. cylinder		D 25 Hub 48,0	1	single parts plate 111



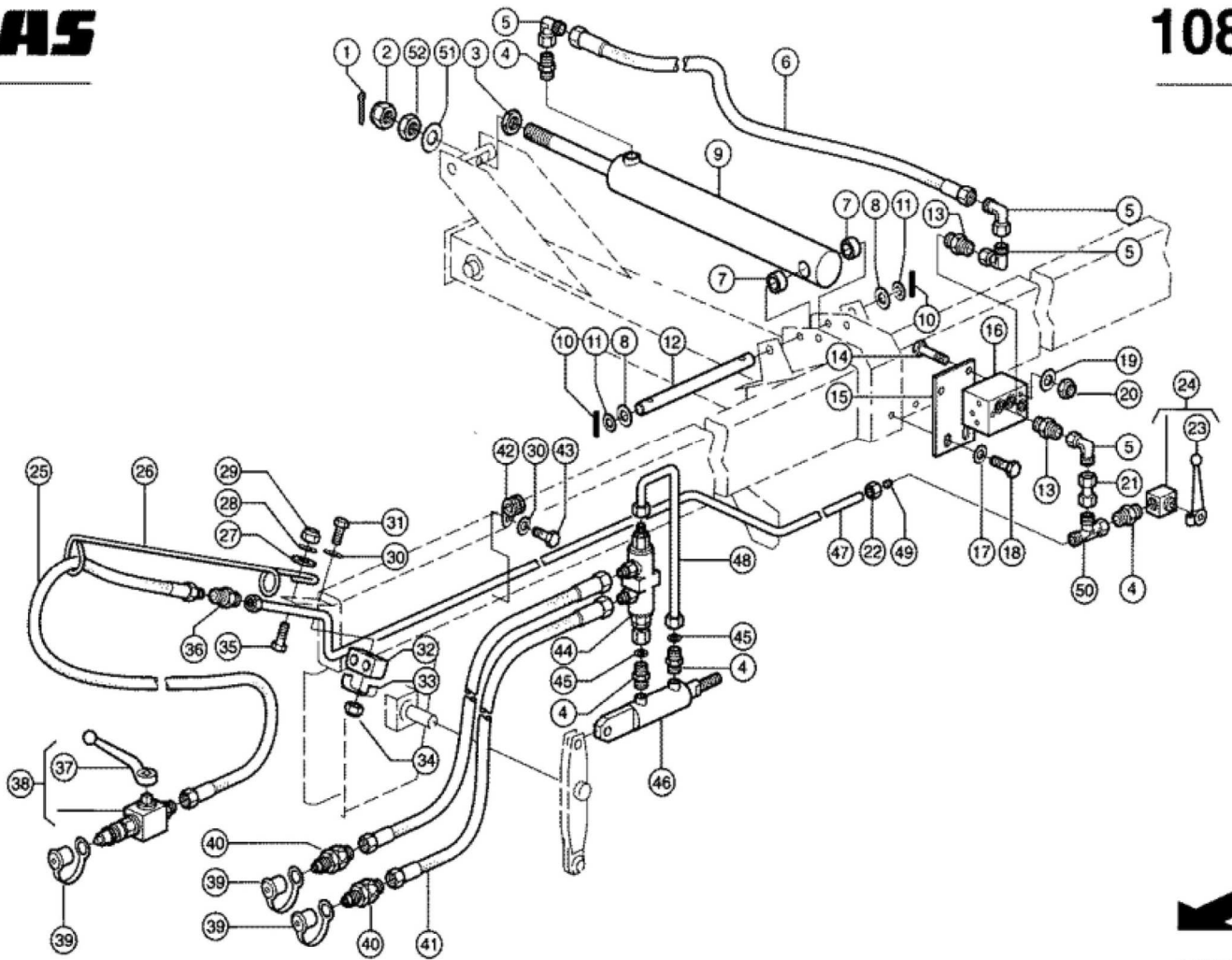
Characteristic: **HYDRAULICS - FRONT LINER 1550 TWIN**

Illustration: **108A**

Pos.	Part-No.	Description	DIN	Dimension	Qty.	Remark
1	000 237 028 0	Split pin	I1234	5 X 40	1	
2	000 242 652 0	Castellated nut	Din935	M24	1	
3	000 211 588 0	Hexagonal nut	Iso4035	M24	1	from 398 0 2250
3	000 956 842 0	Hexagonal nut	Iso4035	M24-M=6	1	to 398 0 2188
4	000 238 712 0	Screw-in union	Iso8434	Std-L10xm14x1,5	3	
5	000 238 693 0	Angle union	Iso8434	Std-L10	4	
6	000 981 905 0	Hose pipe			1	
7	000 905 161 0	Spacer bush		D32x3 X 24	2	
8	000 234 235 0	Washer		26 X 37 X1	2	
9	000 956 883 2	Pull cylinder		D63/25x500/897	1	Components on illustration 113 A
10	000 236 901 2	Tensioning pin	Iso8752	28x 36-N	2	
11	000 234 298 0	Washer		26 X 37 X2	2	
12	000 956 873 0	Pin		D25h9x370	1	
13	000 238 967 0	Screw-in union	Iso8434	Std-L10xm18x1,5	2	
14	000 235 525 0	Hexagonal screw	Iso4014	M08x80	2	
15	000 956 853 0	Screw-on plate		4x 110x 169	1	
16	000 956 885 0	Control block			1	Components on illustration 110 A
17	000 239 387 0	Contact washer		A 8	2	
18	000 237 438 0	Hexagonal screw	Iso4017	m 8x12	2	
19	000 239 387 0	Contact washer		A 8	4	
20	000 238 132 0	Securing nut	Iso7042	M08	2	
21	000 660 608 0	Hydr. pipe		10x1x 40	1	
22	000 215 482 0	Union nut		A3 L10	6	
23	000 941 398 0	Ball knob		Gekröpft, 120 m	1	
24	000 904 268 0	Ball-type tap		Bkh-10l	1	
25	000 962 239 0	Hose pipe			1	
26	000 967 854 2	Pipe bracket			1	
27	000 523 126 0	Washer		10,5x 35 X5	2	
28	000 239 388 0	Contact washer		A10	2	
29	000 237 947 0	Securing nut	Iso7042	M10	2	
30	000 239 392 0	Contact washer		B 6	2	
31	000 244 413 0	Hexagonal screw	Iso4017	m 6x35	1	
32	000 723 500 0	Double clamp		B 10	1	
33	000 656 254 1	Clamp		2x15x25x3	1	
34	000 237 983 0	Securing nut	Iso7042	m 6	1	
35	000 235 532 0	Hexagonal screw	Iso4014	M10x40	2	
36	000 238 707 0	Connect.Union	Iso8434	Std-L10	1	
37	000 941 398 0	Ball knob		Gekröpft, 120 m	1	
38	000 953 462 0	Ball-type tap	Iso7241	Dra 8-10l	1	
39	000 812 990 0	Dust cap	Iso7241	Dra 12,5 schwarz	3	
40	000 812 989 0	Coupler plug	Iso7241	Dra 12,5 - L10(M1)	2	
41	000 960 008 0	Hose pipe			2	
42	000 215 411 0	Pipe clamp	Din3016	D11-10x15	1	
43	000 237 464 0	Hexagonal screw	Iso4017	M06x12	1	
44	000 643 733 1	Lock-up valve			1	single parts plate 110
45	000 572 104 2	Throttle plate		D10,1x0,8x1,0	2	
46	000 956 884 2	Hydr. cylinder		D40/25x73/294	1	Components on illustration 111 A
47	000 956 886 0	Hydr. pipe			1	
48	000 956 569 0	Hydr. pipe			1	
49	000 215 481 0	Profile ring		P-R10l/S	4	
50	000 238 890 0	L union	D3944	L10	1	
51	000 234 346 0	Washer		26 X 42 X3	1	from 398 0 2250
52	000 956 842 0	Hexagonal nut	Iso4035	M24-M=6	1	from 398 0 2250

**CLAAS**

**108A**



92078C/02



LINER 1550 TWIN

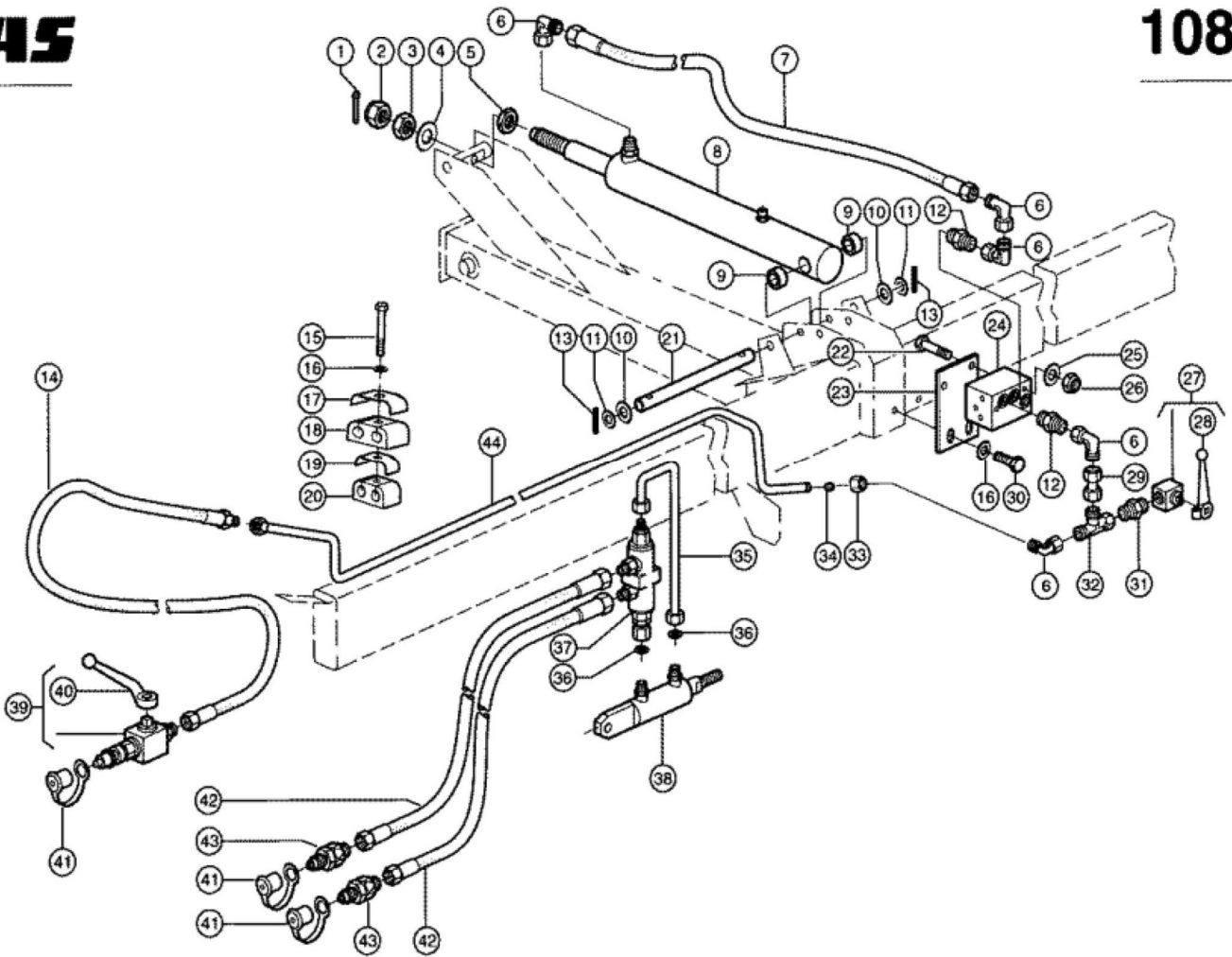
Characteristic: **HYDRAULICS -RONT LINER 1550 TWIN PROFIL**

Illustration: **108B**

Pos.	Part-No.	Description	DIN	Dimension	Qty.	Remark
1	000 237 028 0	Split pin	I1234	5 X 40	1	
2	000 242 652 0	Castellated nut	Din935	M24	1	
3	000 956 842 0	Hexagonal nut	Iso4035	M24-M=6	1	
4	000 234 346 0	Washer		26 X 42 X3	1	
5	000 211 588 0	Hexagonal nut	Iso4035	M24	1	
6	000 238 693 0	Angle union	Iso8434	Swe-L10	5	
7	000 981 905 0	Hose pipe			1	
8	000 956 883 2	Pull cylinder		D63/25x500/897	1	Components on illustration 113b
9	000 905 161 0	Spacer bush		D32x3 X 24	2	
10	000 234 235 0	Washer		26 X 37 X1	2	
11	000 234 298 0	Washer		26 X 37 X2	2	
12	000 238 967 0	Screw-in union	Iso8434	Stds-L10xm18x1,5	2	
13	000 236 901 2	Tensioning pin	Iso8752	28x 36-N	2	
14	000 962 239 0	Hose pipe			1	
15	000 237 854 0	Hexagonal screw	Iso4014	m 8x55	1	
16	000 239 387 0	Contact washer		A 8	4	
17	000 689 237 0	Attaching Clamp		2x25x25x3	1	
18	000 607 178 0	Rubber bearing		18/18	1	
19	000 656 254 1	Clamp		2x15x25x3	1	
20	000 723 500 0	Double clamp		B 10	1	
21	000 956 873 1	Pin		D25h9x370	1	
22	000 235 525 0	Hexagonal screw	Iso4014	M08x80	2	
23	000 956 853 0	Screw-on plate		4x 110x 169	1	
24	000 956 885 0	Control block			1	Components on illustration 110a
25	000 239 387 0	Contact washer		A 8	4	
26	000 238 132 0	Securing nut	Iso7042	M08	2	
27	000 904 268 0	Ball-type tap		Bkh-10l	1	
28	000 941 398 0	Ball knob		Gekröpft, 120 m	1	
29	000 660 608 0	Hydr. pipe		10x1x 40	1	
30	000 237 438 0	Hexagonal screw	Iso4017	m 8x12	2	
31	000 238 712 0	Screw-in union	Iso8434	Stds-L10xm14x1,5	1	
32	000 238 890 0	L union	D3944	L10	1	
33	000 215 482 0	Union nut		A3 L10	6	
34	000 215 481 0	Profile ring		P-R10l/S	6	
35	000 956 569 0	Hydr. pipe			1	
36	000 572 104 2	Throttle plate		D10,1x0,8x1,0	2	
37	000 643 733 1	Lock-up valve			1	single parts plate 110
38	000 956 884 2	Hydr. cylinder		D40/25x73/294	1	Components on illustration 111a
39	000 953 462 0	Ball-type tap	Iso7241	Dra 8-10l	1	
40	000 941 398 0	Ball knob		Gekröpft, 120 m	1	
41	000 812 990 0	Dust cap	Iso7241	Dn 12,5 schwarz	3	
42	000 960 832 0	Hose pipe			2	
43	000 812 989 0	Coupler plug	Iso7241	Dra 12,5 - L10(M1	2	
44	000 974 638 1	Hydr. pipe ass.		-	1	

**CLAAS**

**108B**



93355C/01

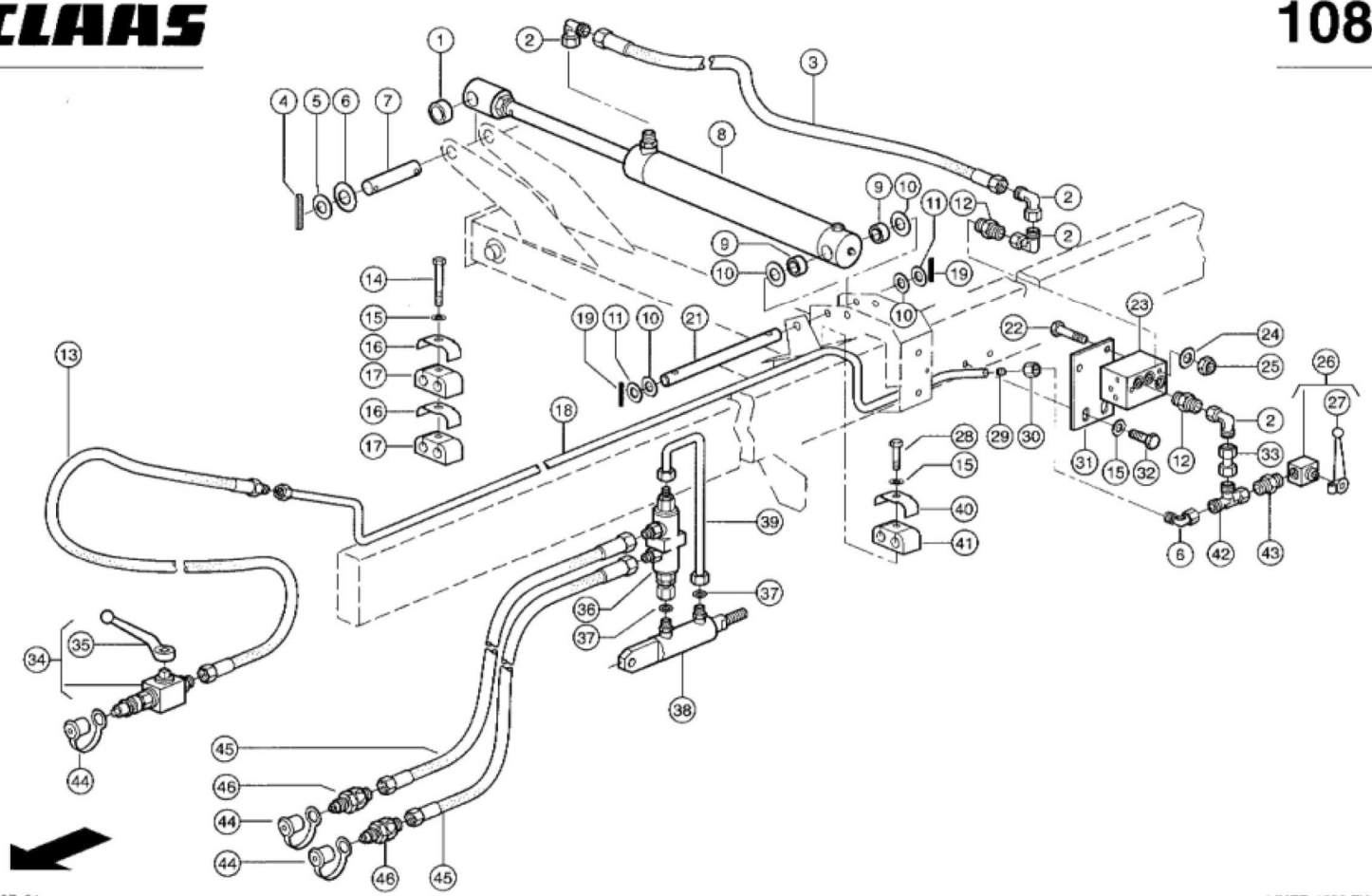
LINER 1550 TWIN PROFIL



Characteristic: **HYDRAULICS -RONT LINER 1550 TWIN PROFIL**

Illustration: **108C**

Pos.	Part-No.	Description	DIN	Dimension	Qty.	Remark
1	000 975 458 0	Spacer bush		R40x4,5x 12	2	
2	000 238 693 0	Angle union	Iso8434	Sw-L10	4	
3	000 981 905 0	Hose pipe			1	
4	000 235 681 2	Tensioning pin	Iso8752	28 X 50-N	2	
5	000 234 307 0	Washer		30,5x52x2	N.B	
6	000 233 666 0	Washer		30,5x 52 X5	2	
7	000 958 306 2	Pin		30h9x 149	1	
8	000 975 407 0	Pull cylinder			1	Components on illustration 113c
9	000 908 302 0	Spacer ring		D40x4,5x 16	2	up to 398 0 4577
10	000 233 666 0	Washer		30,5x 52 X5	4	
10	000 234 349 0	Washer		30,5x 42 X3	N.B	
11	000 234 350 0	Washer		30,5x 52 X3	2	
12	000 238 967 0	Screw-in union	Iso8434	Stds-L10xm18x1,5	2	
13	000 981 291 1	Hose pipe			1	
14	000 235 523 0	Hexagonal screw	Iso4014	M08x70	2	
15	000 239 387 0	Contact washer		A 8	5	
16	000 672 209 0	Attaching Clamp		Bss 2x22x25x3	4	
17	000 607 110 0	Rubber bearing		15/10	4	
18	000 924 545 1	Hydr. pipe ass.		-	1	from 398 0 3891
18	000 974 638 1	Hydr. pipe ass.		-	1	to 398 0 3890
19	000 236 901 2	Tensioning pin	Iso8752	28x 36-N	2	
21	000 975 406 2	Pin		D30h9x288	1	
22	000 235 525 0	Hexagonal screw	Iso4014	M08x80	2	
23	000 956 885 0	Control block			1	Components on illustration 110a
24	000 239 387 0	Contact washer		A 8	4	
25	000 238 132 0	Securing nut	Iso7042	M08	2	
26	000 904 268 0	Ball-type tap		Bkh-10l	1	to 398 0 3890
27	000 941 398 0	Ball knob		Gekröpft, 120 m	1	to 398 0 3890
28	000 237 339 0	Hexagonal screw	Iso4014	M08x35	1	
29	000 215 481 0	Profile ring		P-R10l/S	6	
30	000 215 482 0	Union nut		A3 L10	6	
31	000 956 853 0	Screw-on plate		4x 110x 169	1	
32	000 237 438 0	Hexagonal screw	Iso4017	m 8x12	2	
33	000 660 608 0	Hydr. pipe		10x1x 40	1	to 398 0 3890
34	000 953 462 0	Ball-type tap	Iso7241	Dra 8-10l	1	
35	000 941 398 0	Ball knob		Gekröpft, 120 m	1	
36	000 643 733 1	Lock-up valve			1	single parts plate 110
37	000 572 104 2	Throttle plate		D10,1x0,8x1,0	2	
38	000 924 260 0	Hydr. cylinder		D40/25x100/294	1	Components on illustration 111c from 398 0 3891
38	000 956 884 2	Hydr. cylinder		D40/25x73/294	1	Components on illustration 111b to 398 0 3890
39	000 924 506 0	Hydr. pipe cpl.		10x1 X	1	from 398 0 3891
39	000 956 569 0	Hydr. pipe			1	to 398 0 3890
40	000 683 254 0	Attaching Clamp		Bss 2x18x25x3	3	
41	000 683 658 0	Rubber bearing		10/10	1	
42	000 238 890 0	L union	D3944	L10	1	to 398 0 3890
43	000 238 712 0	Screw-in union	Iso8434	Stds-L10xm14x1,5	1	to 398 0 3890
44	000 812 990 0	Dust cap	Iso7241	Dra 12,5 schwarz	3	
45	000 960 832 0	Hose pipe			2	
46	000 812 989 0	Coupler plug	Iso7241	Dra 12,5 - L10(M1)	2	



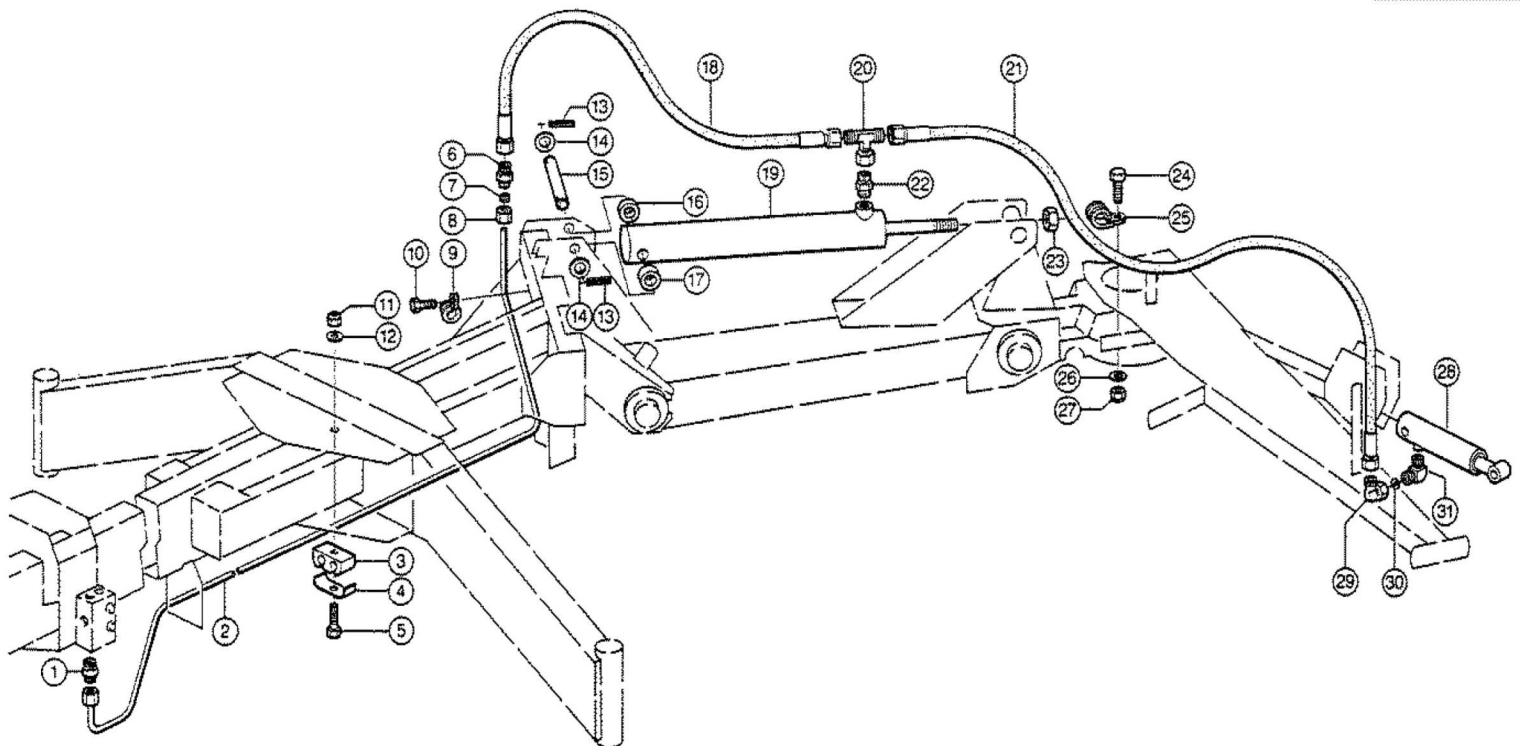
Characteristic: **HYDRAULICS - REAR LINER 1550 TWIN**

Illustration: **109**

Pos.	Part-No.	Description	DIN	Dimension	Qty.	Remark
1	000 212 513 0	Screw-in union	Iso8434	Sts-L10xm16x1,5	1	
2	000 956 567 0	Hydr. pipe		10x1 X3517	1	
3	000 656 254 1	Clamp		2x15x25x3	1	
4	000 723 500 0	Double clamp		B 10	1	
5	000 244 413 0	Hexagonal screw	Iso4017	m 6x35	1	
6	000 238 707 0	Connect.Union	Iso8434	St-L10	1	
7	000 215 481 0	Profile ring		P-R10I/S	2	
8	000 215 482 0	Union nut		A3 L10	2	
9	000 215 411 0	Pipe clamp	Din3016	Ø11-10x15	3	
10	000 237 464 0	Hexagonal screw	Iso4017	M06x12	2	
11	000 237 983 0	Securing nut	Iso7042	m 6	1	
12	000 239 392 0	Contact washer		B 6	9	
13	000 236 901 2	Tensioning pin	Iso8752	28x 36-N	2	
14	000 234 298 0	Washer		26 X 37 X2	2	
15	000 956 517 0	Pin		25h9x148x165	1	
16	000 902 723 0	Spacer tube		D32x3 X 14	1	
17	000 905 161 0	Spacer bush		D32x3 X 24	1	
18	000 953 857 0	Hose pipe			1	
19	000 956 448 0	Hydr. cylinder		D 25 Hub 500	1	single parts plate 113
20	000 239 039 0	T-union	Din3943	L10	1	
21	000 962 239 0	Hose pipe			1	
22	000 238 712 0	Screw-in union	Iso8434	Sts-L10xm14x1,5	1	
23	000 211 588 0	Hexagonal nut	Iso4035	M24	2	
24	000 237 442 0	Hex.Head Bolt	Iso4017	M08x25	1	
25	000 812 991 0	Pipe clamp	Din3016	Ø11-15x20	1	
26	000 239 387 0	Contact washer		A 8	1	
27	000 238 132 0	Securing nut	Iso7042	M08	1	
28	000 962 554 1	Hydr. cylinder		D 25/130	1	single parts plate 112
29	000 238 693 0	Angle union	Iso8434	Stwe-L10	1	
30	000 572 104 2	Throttle plate		D10,1x0,8x1,0	3	
31	000 238 796 0	Angle union	D3903	L10m	1	

**CLAAS**

**109**



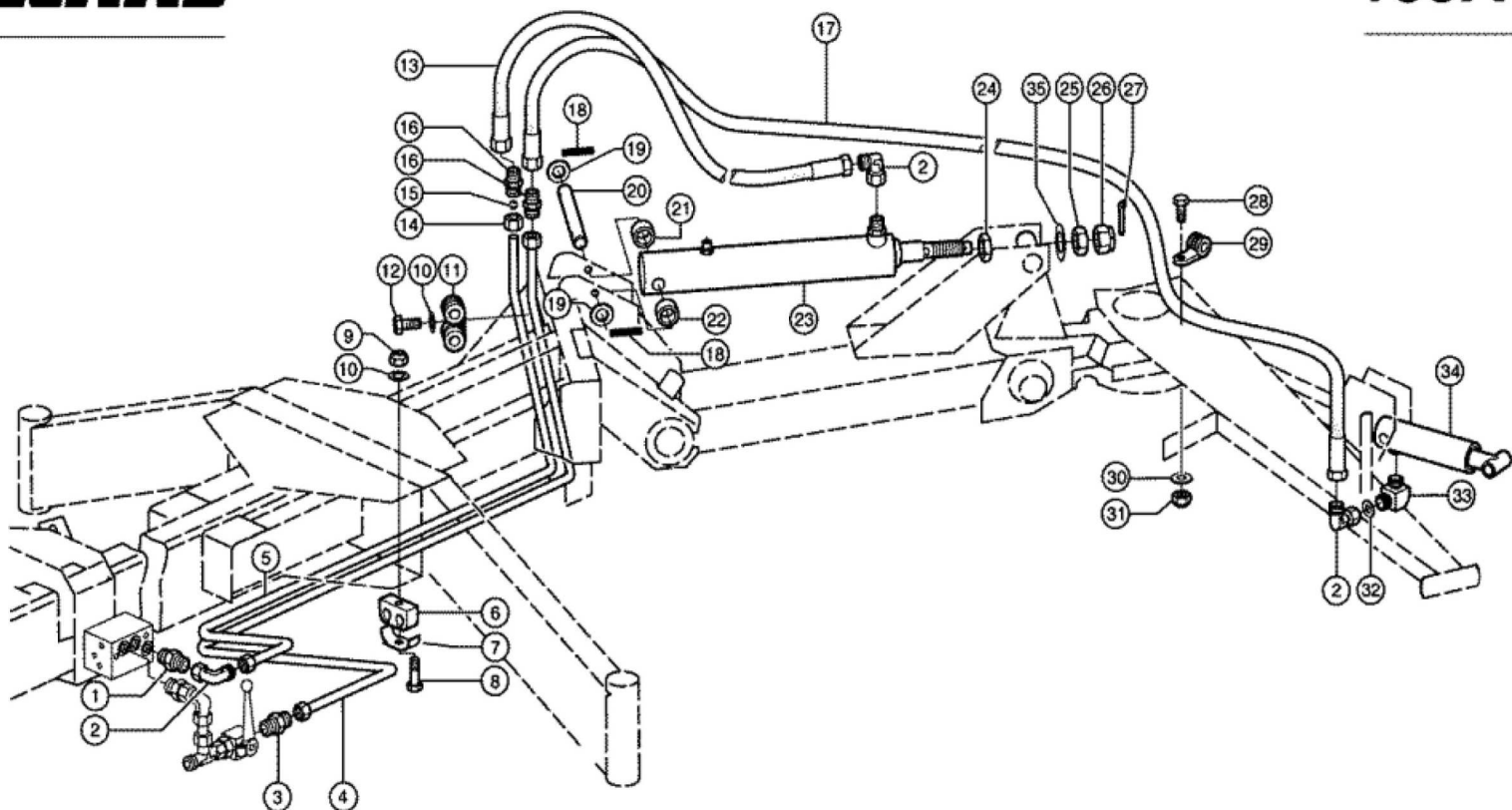
Characteristic: **HYDRAULICS - REAR**

Illustration: **109A**

Pos.	Part-No.	Description	DIN	Dimension	Qty.	Remark
1	000 238 967 0	Screw-in union	Iso8434	Sts-L10xm18x1,5	1	
2	000 238 693 0	Angle union	Iso8434	Sts-L10	3	
3	000 238 712 0	Screw-in union	Iso8434	Sts-L10xm14x1,5	1	
4	000 956 887 1	Hydr. pipe			1	
5	000 956 888 1	Hydr. pipe			1	
6	000 723 500 0	Double clamp		B 10	1	
7	000 656 254 1	Clamp		2x15x25x3	1	
8	000 244 413 0	Hexagonal screw	Iso4017	m 6x35	1	
9	000 237 983 0	Securing nut	Iso7042	m 6	1	
10	000 239 392 0	Contact washer		B 6	5	
11	000 215 411 0	Pipe clamp	Din3018	D1-10x15	4	
12	000 237 464 0	Hexagonal screw	Iso4017	M06x12	4	
13	000 981 905 0	Hose pipe			1	
14	000 215 482 0	Union nut		A3 L10	4	
15	000 215 481 0	Profile ring		P-R10/S	4	
16	000 238 707 0	Connect.Union	Iso8434	St-L10	2	
17	000 962 348 0	Hose pipe			1	
18	000 236 901 2	Tensioning pin	Iso8752	28x 36-N	2	
19	000 234 298 0	Washer		26 X 37 X2	2	
20	000 956 706 1	Pin		Rd25h9x 316	1	from 398 0 2250
20	000 956 517 1	Pin		25h9x148x165	1	to 398 0 2188
21	000 902 723 0	Spacer tube		D32x3 X 14	1	
22	000 905 161 0	Spacer bush		D32x3 X 24	1	
23	000 956 883 2	Pull cylinder		D63/25x500/897	1	Components on illustration 113b
24	000 211 588 0	Hexagonal nut	Iso4035	M24	1	
25	000 956 842 0	Hexagonal nut	Iso4035	M24-M=6	1	
26	000 242 652 0	Castellated nut	Din935	M24	1	
27	000 237 028 0	Split pin	I1234	5 X 40	1	
28	000 237 442 0	Hex.Head Bolt	Iso4017	M08x25	1	
29	000 812 991 0	Pipe clamp	Din3018	D1-15x20	1	
30	000 239 387 0	Contact washer		A 8	1	
31	000 238 132 0	Securing nut	Iso7042	M08	1	
32	000 572 104 2	Throttle plate		D10,1x0,8x1,0	1	
33	000 238 796 0	Angle union	D3903	L10m	1	
34	000 962 554 1	Hydr. cylinder		D 25/130	1	single parts plate 112
35	000 234 346 0	Washer		26 X 42 X3	1	from 398 0 2250

**CLAAS**

**109A**



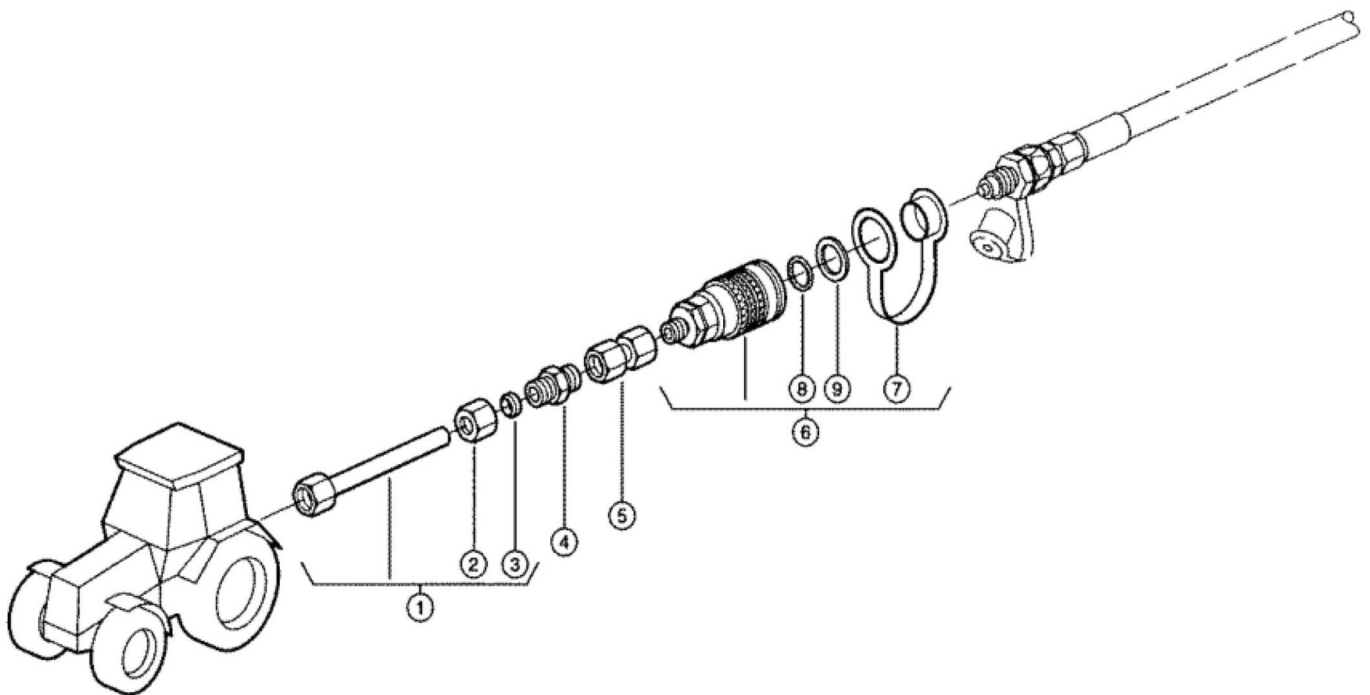
Characteristic: **HYDRAULIC JUNCTION - GUS, TRIPLE**

Illustration: **109B**

Pos.	Part-No.	Description	DIN	Dimension	Qty.	Remark
1	000 723 398 1	Hydr. pipe		8x1 X 40	1	to 398 0 4079
2	000 750 784 1	Union nut		A3 L8	2	to 398 0 4079
3	000 406 082 1	Profile ring		P-R 8l/S	2	to 398 0 4079
4	000 238 707 0	Connect.Union	Iso8434	SHL10	1	to 398 0 4079
5	000 214 735 0	Reducing adapter	Iso8434	Swosre-S18/L8	1	from 398 0 4080
5	000 239 479 0	Reducing adapter		Res-L10/ 8-Oms	1	to 398 0 4079
6	000 689 866 0	Q.r.coupling		Bg3 Dn 6	1	
7	000 689 868 0	Dust plug		Bg3 Dn 12,5	1	
8	000 211 744 0	O-ring		20,22x3,53	1	
9	000 211 745 0	Back-up ring		20,6x26,8x1	1	

**CLAAS**

**109B**



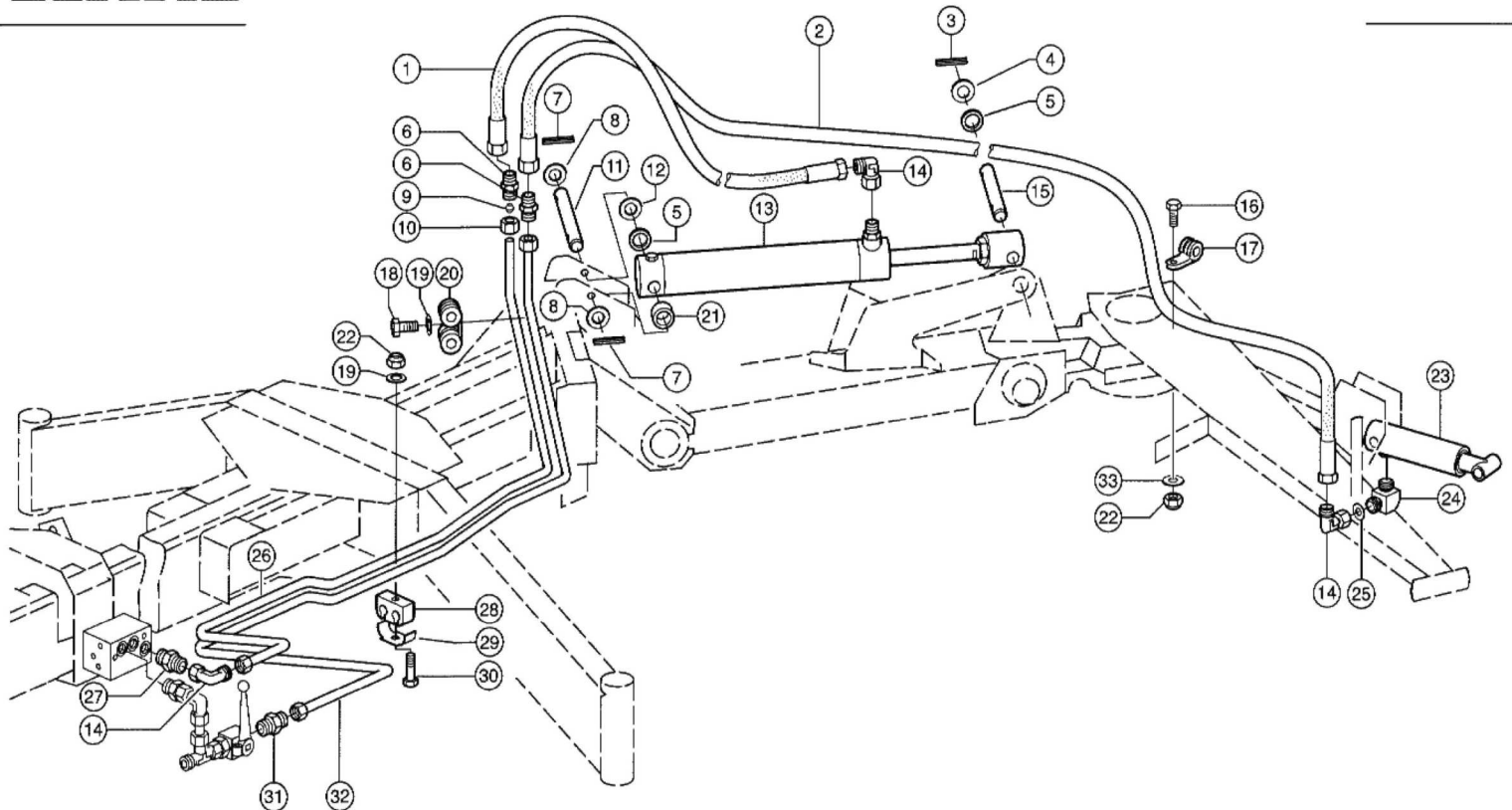
Characteristic: **HYDRAULICS - REAR**

Illustration: **109C**

Pos.	Part-No.	Description	DIN	Dimension	Qty.	Remark
1	000 981 905 0	Hose pipe			1	
2	000 962 348 0	Hose pipe			1	
3	000 235 681 2	Tensioning pin	Iso8752	28 X 50-N	2	
4	000 234 307 0	Washer		30,5x52x2	N.B	
5	000 233 666 0	Washer		30,5x 52 X5	2	
6	000 238 707 0	Connect.Union	Iso8434	SL10	2	
7	000 236 901 2	Tensioning pin	Iso8752	28x 36-N	2	
8	000 234 298 0	Washer		26 X 37 X2	2	
9	000 215 481 0	Profile ring		P-R10/S	4	
10	000 215 482 0	Union nut		A3 L10	4	
11	000 975 405 0	Pin		Rd30h9x 316	1	
12	000 234 370 0	Washer		30,5x 42 X4	N.B	
13	000 975 407 0	Pull cylinder			1	Components on illustration 113b
14	000 238 693 0	Angle union	Iso8434	SL-L10	3	
15	000 958 306 2	Pin		30h9x 149	1	
16	000 237 442 0	Hex.Head Bolt	Iso4017	M08x25	1	
17	000 812 991 0	Pipe clamp	Din3018	D11-15x20	1	
18	000 237 464 0	Hexagonal screw	Iso4017	M06x12	4	
19	000 239 392 0	Contact washer		B 6	5	
20	000 215 411 0	Pipe clamp	Din3018	D11-10x15	4	from 398 0 2250
21	000 908 302 0	Spacer ring		D40x4,5x 16	1	
22	000 237 983 0	Securing nut	Iso7042	m 6	1	
23	000 962 554 1	Hydr. cylinder		D 25/130	1	single parts plate 112
24	000 238 796 0	Angle union	D3903	L10m	1	
25	000 572 104 2	Throttle plate		D10,1x0,8x1,0	1	
26	000 975 444 0	Hydr. pipe			1	
27	000 238 967 0	Screw-in union	Iso8434	SL-L10xm18x1,5	1	
28	000 723 500 0	Double clamp		B 10	1	
29	000 656 254 1	Clamp		2x15x25x3	1	
30	000 244 413 0	Hexagonal screw	Iso4017	m 6x35	1	
31	000 238 712 0	Screw-in union	Iso8434	SL-L10xm14x1,5	1	
32	000 975 442 0	Hydr. pipe			1	
33	000 239 387 0	Contact washer		A 8	1	

**CLAAS**

**109C**



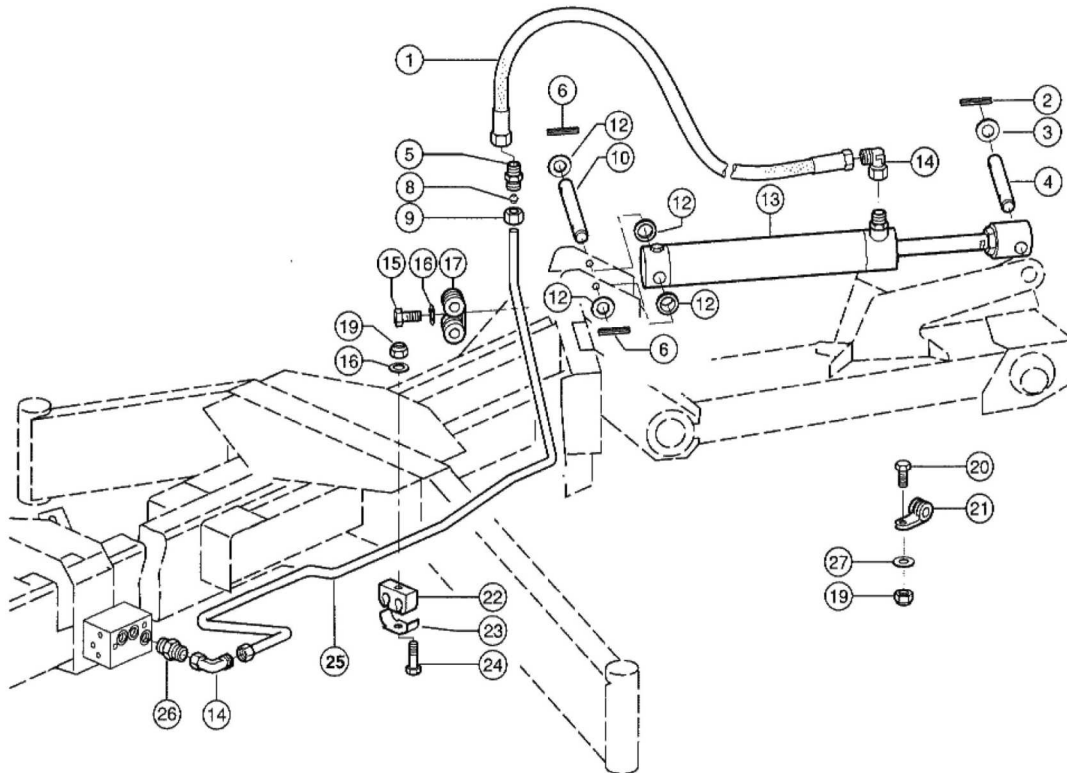
Characteristic: **HYDRAULICS - REAR**

Illustration: **109D**

Pos.	Part-No.	Description	DIN	Dimension	Qty.	Remark
1	000 679 462 1	Hose pipe			1	from 39804384
1	000 981 905 0	Hose pipe			1	up to 39804383
2	000 235 681 2	Tensioning pin	Iso8752	28 X 50-N	2	
3	000 234 307 0	Washer		30,5x52x2	2	
4	000 958 306 2	Pin		30h9x 149	1	
5	000 238 707 0	Connect.Union	Iso8434	SL10	1	up to 39804383
6	000 235 681 2	Tensioning pin	Iso8752	28 X 50-N	2	
8	000 215 481 0	Profile ring		P-R10I/S	2	
9	000 215 482 0	Union nut		A3 L10	2	
10	000 975 405 0	Pin		Rd30h9x 316	1	
12	000 233 666 0	Washer		30,5x 52 X5	4	
12	000 234 307 0	Washer		30,5x52x2	N.B	
13	000 975 407 0	Pull cylinder			1	Components on illustration 113c
14	000 238 693 0	Angle union	Iso8434	SL-L10	1	
15	000 237 464 0	Hexagonal screw	Iso4017	M06x12	4	
16	000 239 392 0	Contact washer		B 6	5	
17	000 215 411 0	Pipe clamp	Din3018	D1-10x15	4	
19	000 237 983 0	Securing nut	Iso7042	m 6	1	
20	000 237 442 0	Hex.Head Bolt	Iso4017	M08x25	1	
21	000 812 991 0	Pipe clamp	Din3018	D1-15x20	1	
22	000 723 500 0	Double clamp		B 10	1	
23	000 656 254 1	Clamp		2x15x25x3	1	
24	000 244 413 0	Hexagonal screw	Iso4017	m 6x35	1	
25	000 924 595 0	Hydr. pipe cpl.			1	from 39804384
25	000 975 444 0	Hydr. pipe			1	up to 39804383
26	000 238 967 0	Screw-in union	Iso8434	SL-L10xm18x1,5	1	
27	000 239 387 0	Contact washer		A 8	1	

**CLAAS**

**109D**

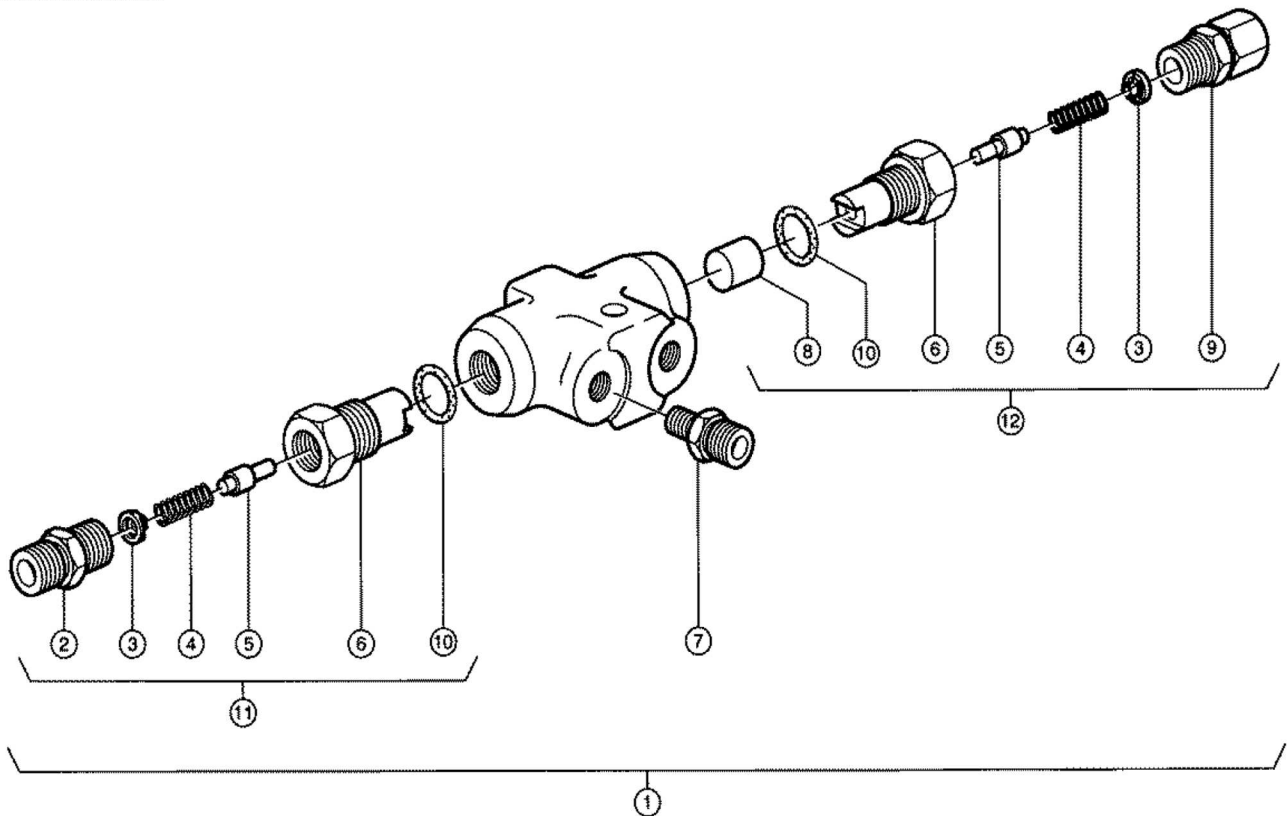


Characteristic: **LOCK - UP VALVE UNIT**  
 Illustration: **110**

Pos.	Part-No.	Description	DIN	Dimension	Qty.	Remark
1	000 643 733 1	Lock-up valve			1	
2	000 215 917 0	Screw-in union	Iso8434	Sts-L10xm14x1,5	1	
3	000 643 704 0	Spring guide		D12x6	2	
4	000 643 705 0	Compress.spring		0,85x7x18	2	
5	000 672 584 1	Outlet valve			2	
6	000 631 374 0	Threaded insert		6kt Sw22	2	
7	000 215 917 0	Screw-in union	Iso8434	Sts-L10xm14x1,5	2	
8	000 215 312 0	Cylind.roller	D5402	15x15sort.M1-M6	1	
9	000 213 195 0	Male connection	Iso8434	Stwsds-L10xm14x1,5	1	
10	000 215 839 0	O-ring	Din377	115,3 X2,2 -N	2	
11	000 088 813 1	Valve cartridge		0055 050.0 - Sa	1	
12	000 631 388 0	Valve cartridge		0055 050.0 - Sa	1	

**CLAAS**

**110**





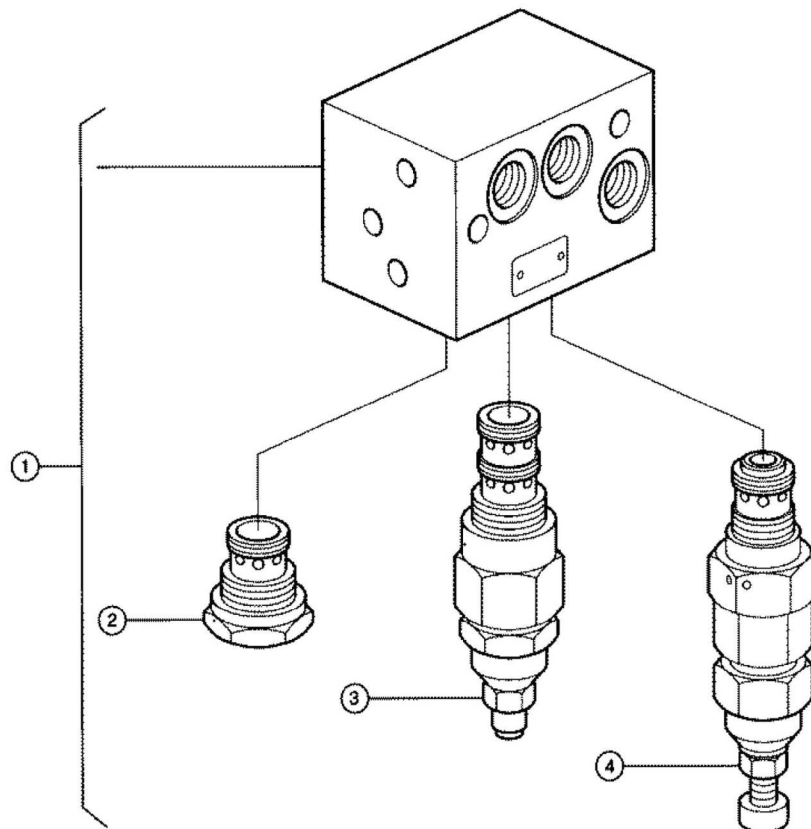
Characteristic: **CONTROL BLOCK**

Illustration: **110A**

Pos.	Part-No.	Description	DIN	Dimension	Qty.	Remark
1	000 956 885 0	Control block			1	
2	000 939 738 0	Non-return valve		Rc06/0.5-00	1	
2	000 939 739 0	Seal kit		F.939 936.0/738	1	
3	000 939 737 0	Dirac.contr.valve		Vdp06/Na-En-1-0	1	
3	000 939 740 0	Seal kit		F.939 937.0	1	
4	000 939 736 0	Pressure valve		Vsb06/Cn-2-00	1	
4	000 939 739 0	Seal kit		F.939 936.0/738	1	

**CLAAS**

**110A**



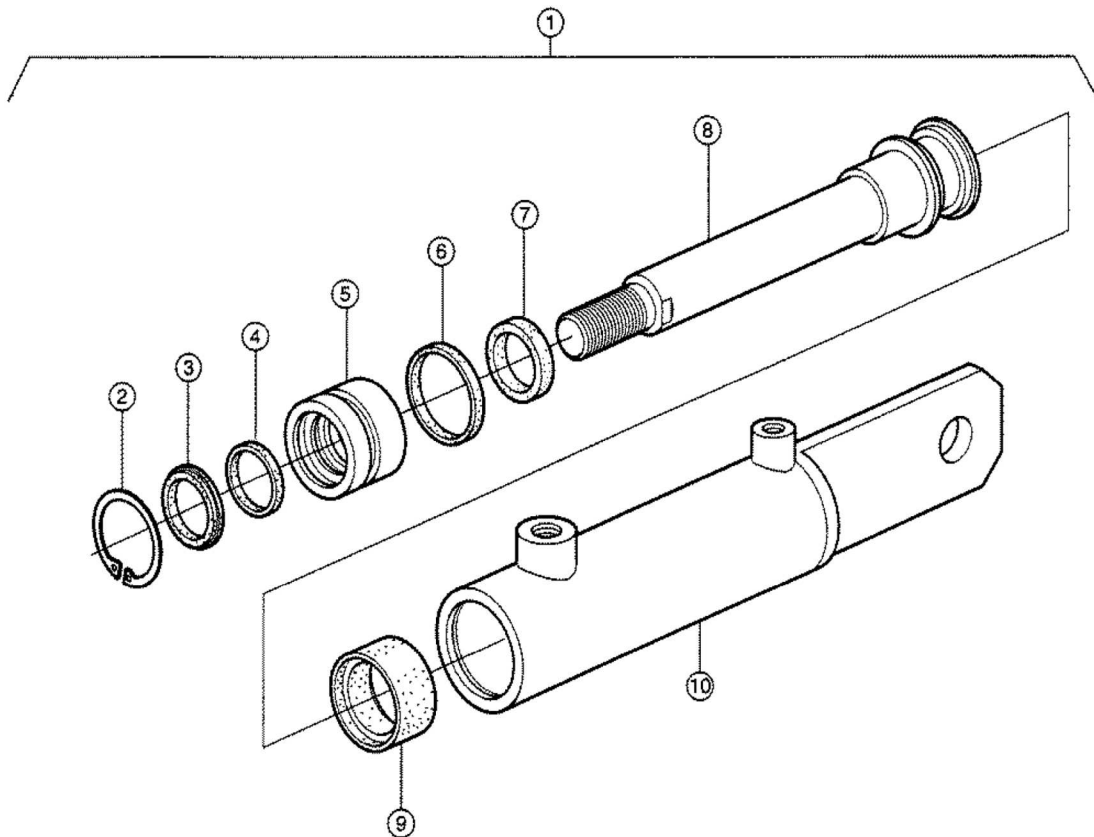
Characteristic: **HYDRAULIC CYLINDER LINER 1550 TWIN**

Illustration: **111**

Pos.	Part-No.	Description	DIN	Dimension	Qty.	Remark
1	000 956 512 0	Hydr. cylinder		D 25 Hub 48,0	1	
2	000 235 179 0	Circlip	D472	40x1,75	1	
3	000 215 123 0	Wiper seal		25x33x 7 A1	1	
4	000 212 937 0	Guide ring		25x30x5,6	1	
5	000 940 623 0	Guide			1	
6	000 631 146 0	O-ring	D3771	35,2 X3 -N	1	
7	000 212 625 0	Rod sealing		25x 33x 5,7	1	
8	000 939 890 0	Piston rod			1	
9	000 212 600 0	Piston seal		40x 30x12,5	1	
10	000 939 886 0	Cylinder tube			1	

**CLAAS**

**111**



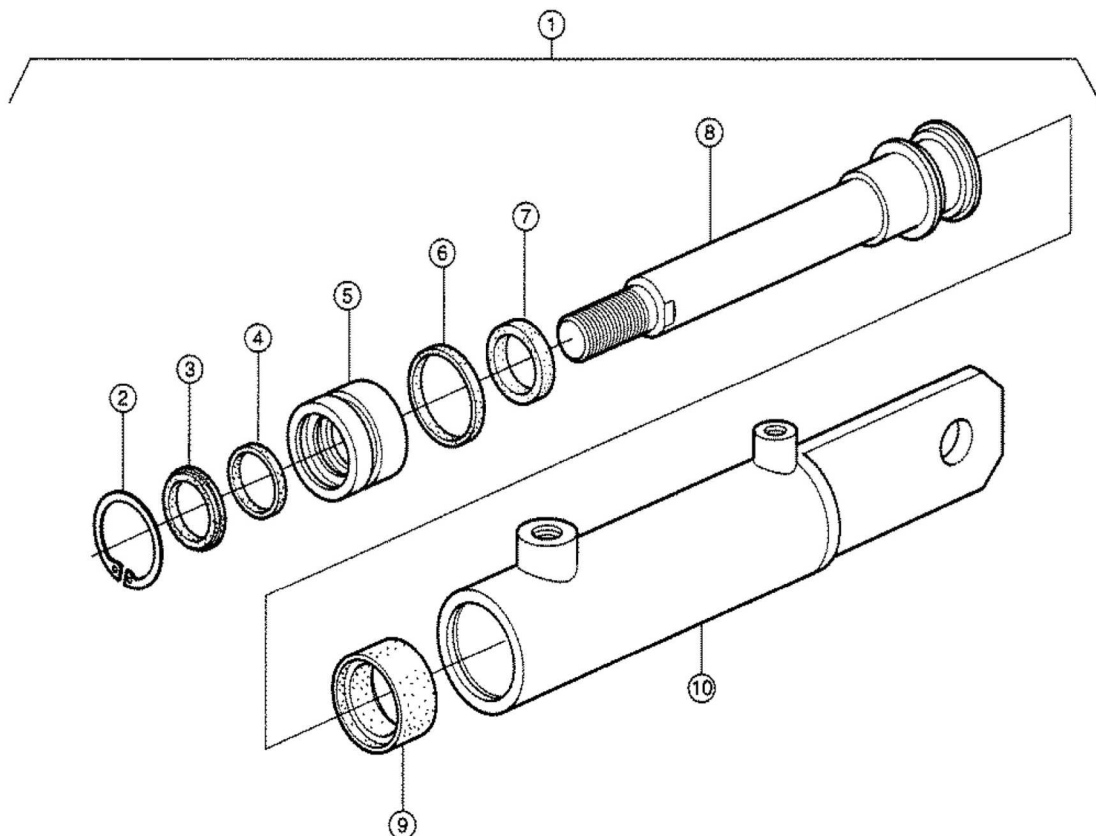
Characteristic: **HYDRAULIC CYLINDER LINER 1550 TWIN**

Illustration: **111A**

Pos.	Part-No.	Description	DIN	Dimension	Qty.	Remark
1	000 956 884 1	Hydr. cylinder		D40/25x73/294	1	
2	000 235 179 0	Circlip	D472	40x1,75	1	
3	000 215 123 0	Wiper seal		25x33x 7 A1	1	
4	000 212 937 0	Guide ring		25x30x5,6	1	
5	000 940 623 0	Guide			1	
6	000 631 146 0	O-ring	D3771	35,2 X3 -N	1	
7	000 212 625 0	Rod sealing		25x 33x 5,7	1	
8	000 939 734 0	Piston rod			1	
9	000 212 600 0	Piston seal		40x 30x12,5	1	
10	000 939 735 0	Cylinder tube			1	

**CLAAS**

**111A**

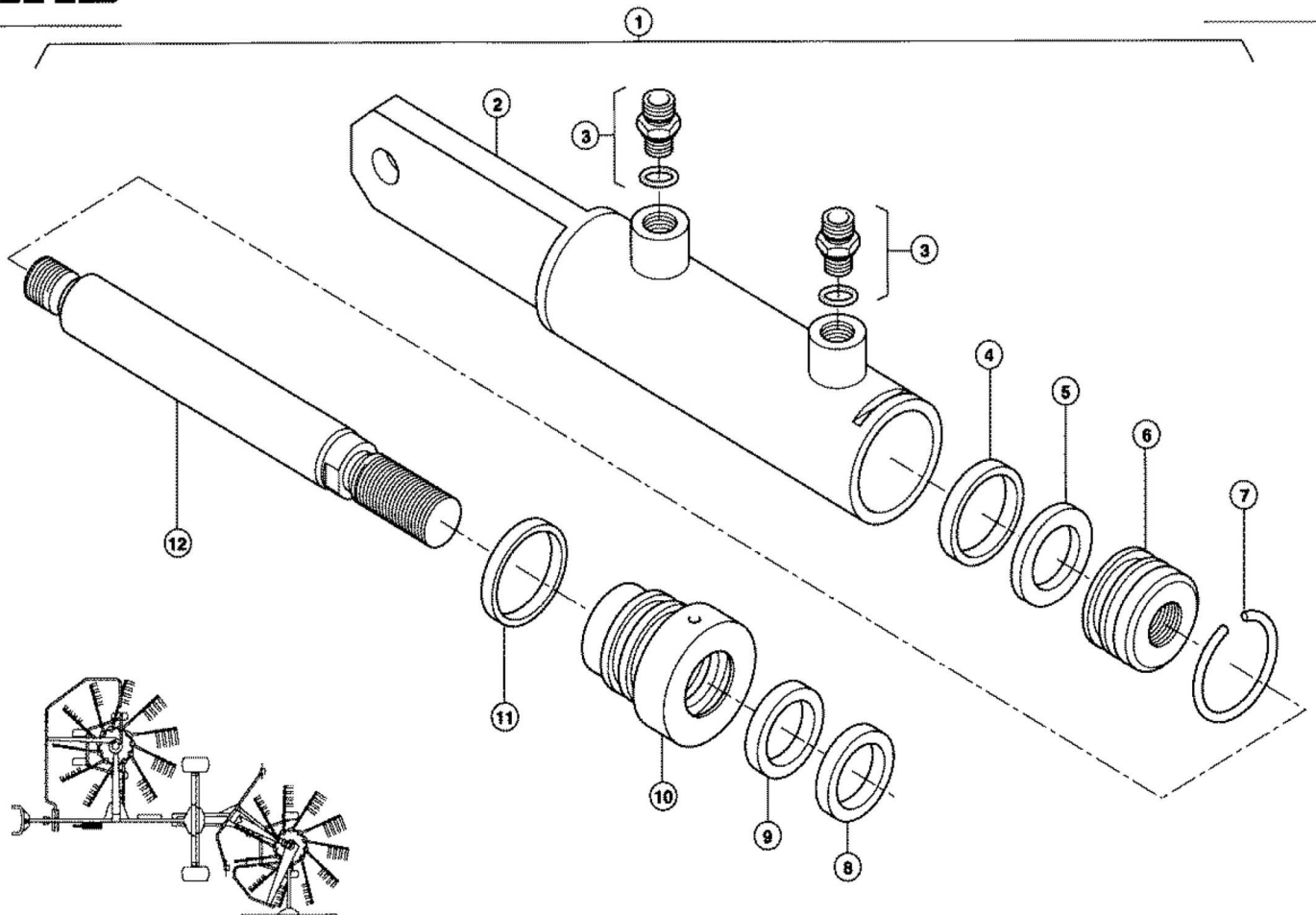


Characteristic: **HYDRAULIC CYLINDER - STEERING**  
 Illustration: **111B**

Pos.	Part-No.	Description	DIN	Dimension	Qty.	Remark
1	000 956 884 2	Hydr. cylinder		D40/25x73/294	1	
2	000 086 009 0	Cylinder tube		40/50x218	1	
3	000 215 917 0	Screw-in union	Iso8434	Sts-L10xm14x1,5	2	
4	000 213 149 0	Rod Guide Ring		35x40x5,6	1	
5	000 213 218 0	Piston seal		40x29x4	1	
6	000 085 001 0	Plunger		D40x21/M18x1,5	1	
7	000 683 259 1	Securing wire		3,20x 156	1	
8	000 239 008 0	Mud scraper		25x33,6x 7	1	
9	000 239 009 0	Lip seal		25x33x 6	1	
10	000 085 214 0	Cylinder head		D40/25/L43	1	
11	000 218 000 0	Dualseal-ring		40x35,4x5,4	1	
12	000 087 021 0	Piston rod		D25x208/M18x1,5	1	

**CLAAS**

**111B**



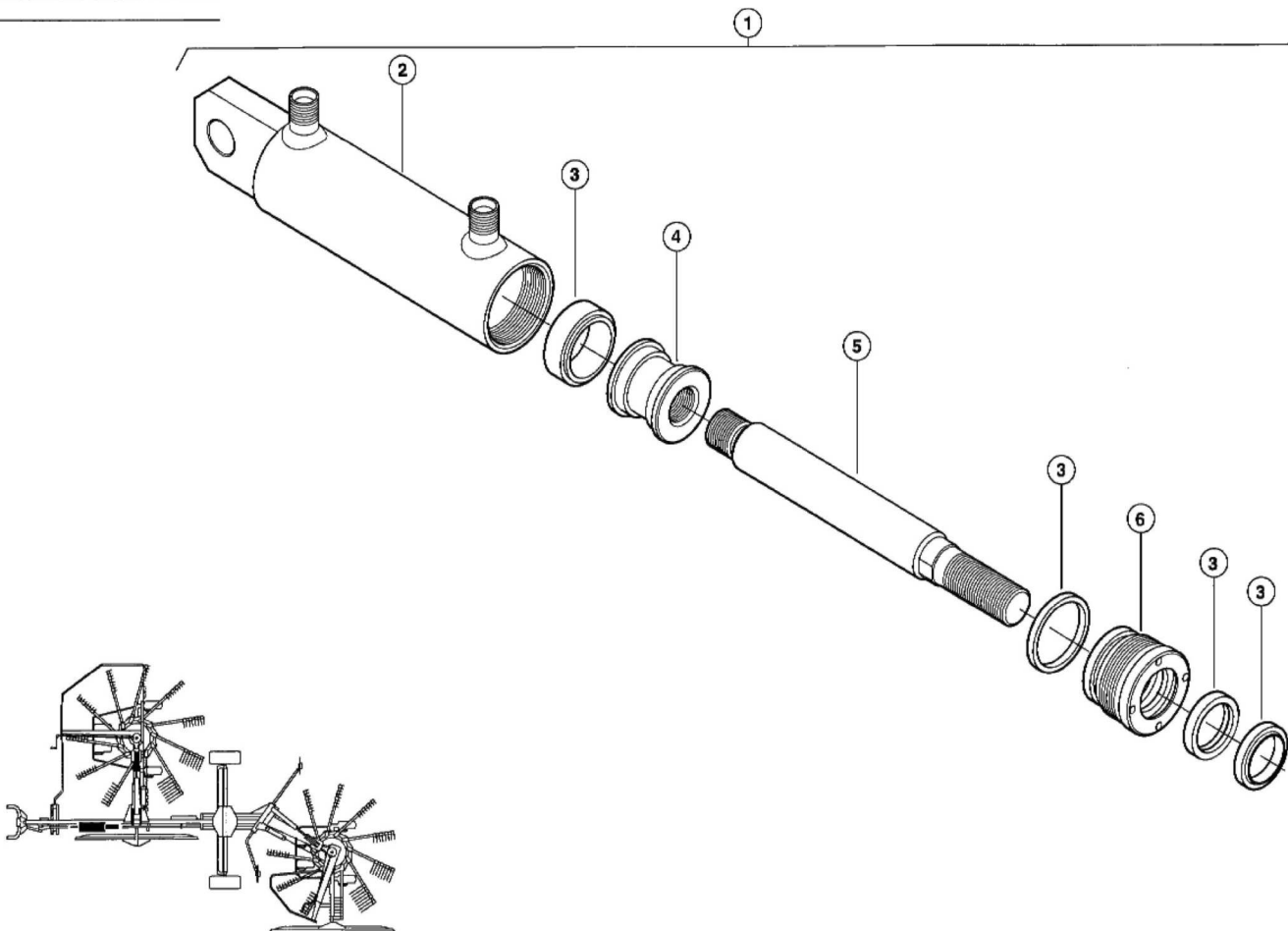
Characteristic: **HYDRAULIC CYLINDER - STEERING**

Illustration: **111C**

Pos.	Part-No.	Description	DIN	Dimension	Qty.	Remark
1	000 924 260 0	Hydr. cylinder		D40/25x100/294	1	
2	000 138 139 0	Cylinder tube			1	
3	000 138 142 0	Seal kit			1	
4	000 138 141 0	Plunger			1	
5	000 138 138 0	Piston rod			1	
6	000 138 140 0	Guide nut		M44x1,5	1	

**CLAAS**

**111C**

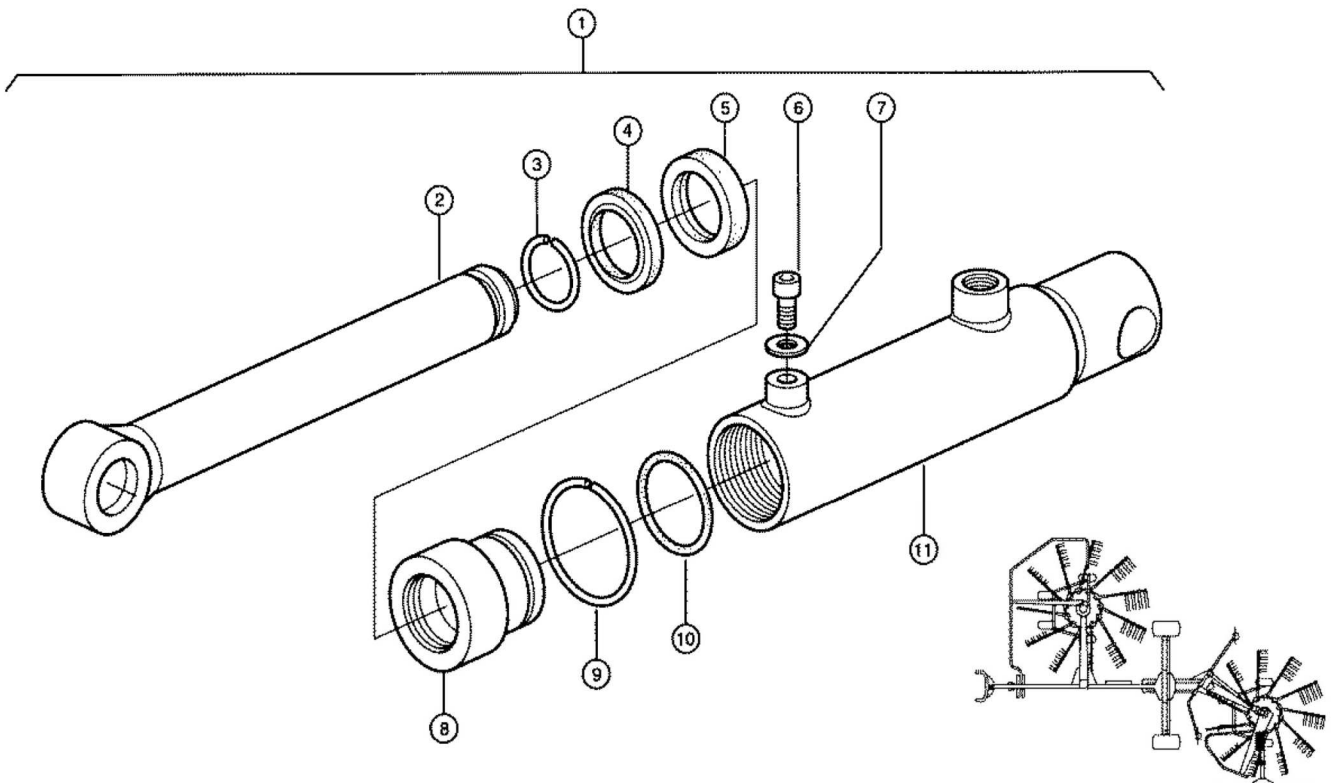


Characteristic: **HYDRAULIC CYLINDER - WINDR. RUBBER, REAR**  
 Illustration: **112**

Pos.	Part-No.	Description	DIN	Dimension	Qty.	Remark
1	000 962 554 1	Hydr. cylinder		D 25/130	1	
2	000 087 411 0	Plunger		D25x214	1	
3	000 239 424 0	Snap ring	D7993	A 25	1	
4	000 239 008 0	Mud scraper		25x33,6x 7	1	
5	000 239 009 0	Lip seal		25x33x 6	1	
6	000 239 052 0	Socket head screw	Iso4762	m 5x 6	1	
7	000 132 232 0	Seal ring	Din7603	A 5x 9	1	
8	000 085 276 0	Cylinder head		D40x50	1	
9	000 690 082 0	Securing wire		D2x 92	1	
10	000 238 449 0	O-ring	D3771	30 X2 -N	1	
11	000 086 616 0	Cylinder tube			1	

**CLAAS**

**112**



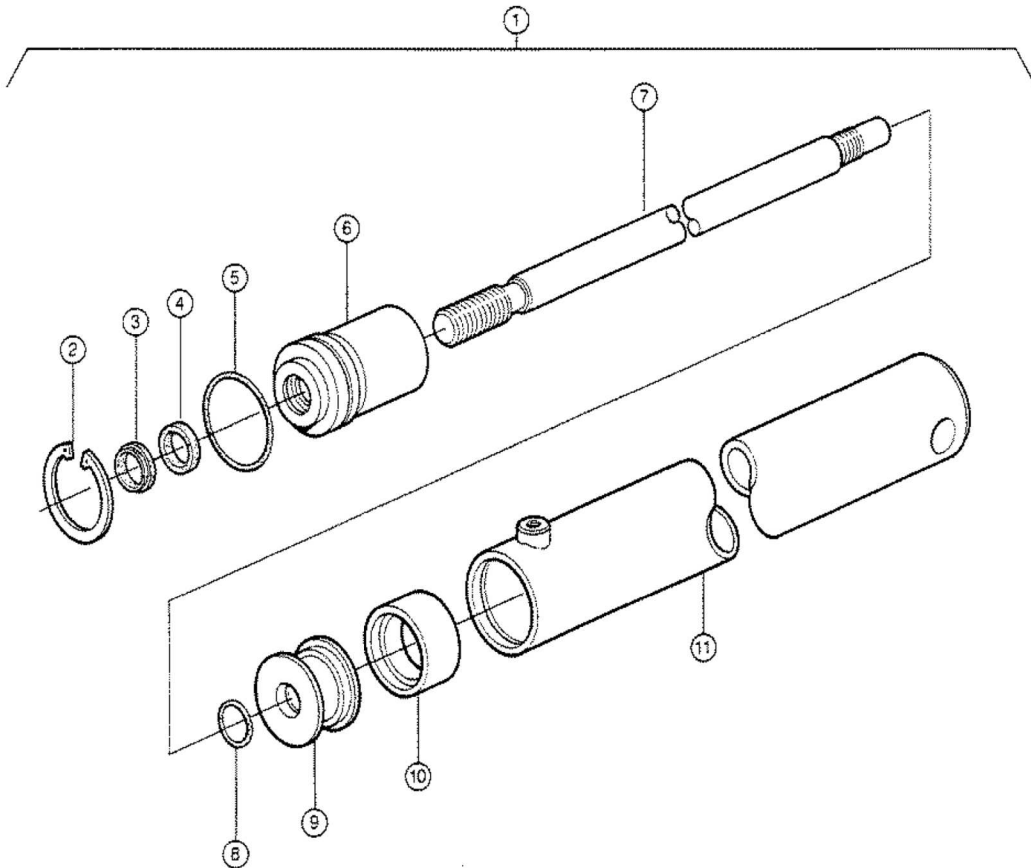
Characteristic: **HYDRAUC CYLINDER LINER 1550 TWIN**

Illustration: **113**

Pos.	Part-No.	Description	DIN	Dimension	Qty.	Remark
1	000 956 448 0	Hydr. cylinder		D 25 Hub 500	1	
2	000 212 554 0	Circlip	D472	65x2,5	1	
3	000 215 123 0	Wiper seal		25x33x 7 A1	1	
4	000 212 625 0	Rod sealing		25x 33x 5,7	1	
5	000 212 626 0	O-ring	D3771	60 X2 -N	1	
6	000 939 887 0	Guide			1	
7	000 939 888 0	Piston rod			1	
8	000 131 056 0	O-ring	D3771	25 X2 -N	1	
9	000 940 628 0	Plunger			1	
10	000 212 624 0	Piston seal		63x 47x19,4	1	
11	000 939 889 0	Cylinder tube			1	

**CLAAS**

**113**

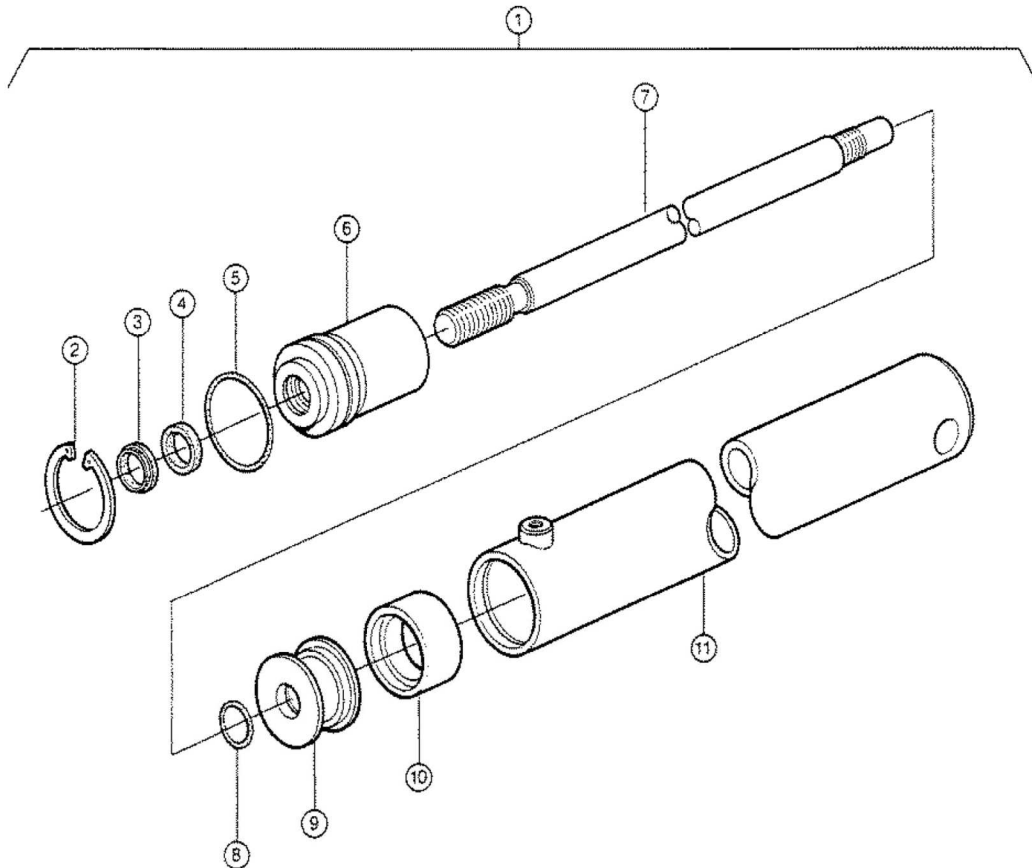


Characteristic: **HYDRAUC CYLINDER LINER 1550 TWIN**  
 Illustration: **113A**

Pos.	Part-No.	Description	DIN	Dimension	Qty.	Remark
1	000 956 883 0	Hydr. cylinder		D 25 Hub 500	1	
2	000 212 554 0	Circlip	D472	65x2,5	1	
3	000 215 123 0	Wiper seal		25x33x 7 A1	1	
4	000 212 625 0	Rod sealing		25x 33x 5,7	1	
5	000 212 626 0	O-ring	D3771	60 X2 -N	1	
6	000 939 887 0	Guide			1	
7	000 939 680 0	Piston rod			1	
8	000 131 056 0	O-ring	D3771	25 X2 -N	1	
9	000 940 628 0	Plunger			1	
10	000 212 624 0	Piston seal		63x 47x19,4	1	
11	000 939 889 0	Cylinder tube			1	

**CLAAS**

**113A**



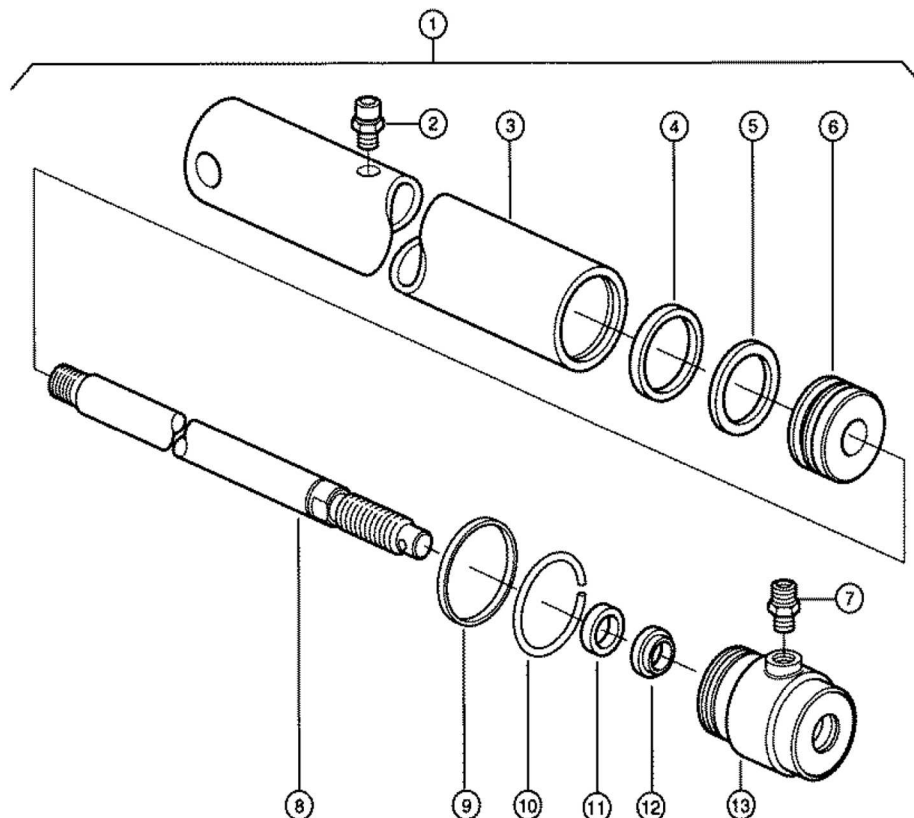


Characteristic: **HYDRAUIC CYLINDER - ARM**  
 Illustration: **113B**

Pos.	Part-No.	Description	DIN	Dimension	Qty.	Remark
1	000 956 883 2	Pull cylinder		D63/25x500/897	1	
2	000 089 795 0	Filter socket		N.Zg.089 796.0	1	
3	000 086 007 0	Cylinder tube		63/75x744	1	
4	000 212 922 0	Guide ring		58x63x9,7	1	
5	000 213 233 0	Piston seal		63x52x4	1	
6	000 085 020 0	Plunger	671	Rd 63x25	1	
7	000 215 917 0	Screw-in union	Iso8434	Sts-L10xm14x1,5	1	
8	000 042 504 0	Piston rod		D25x703/M20x1,5	1	
9	000 218 118 0	Dualseal-ring		63x58,4x5,4	1	
10	000 573 467 1	Securing wire		4 X 202	1	
11	000 239 009 0	Lip seal		25x33x 6	1	
12	000 239 008 0	Mud scraper		25x33,6x 7	1	
13	000 079 521 1	Cylinder head		D63/25-Wm14x1,5	1	

**CLAAS**

**113B**



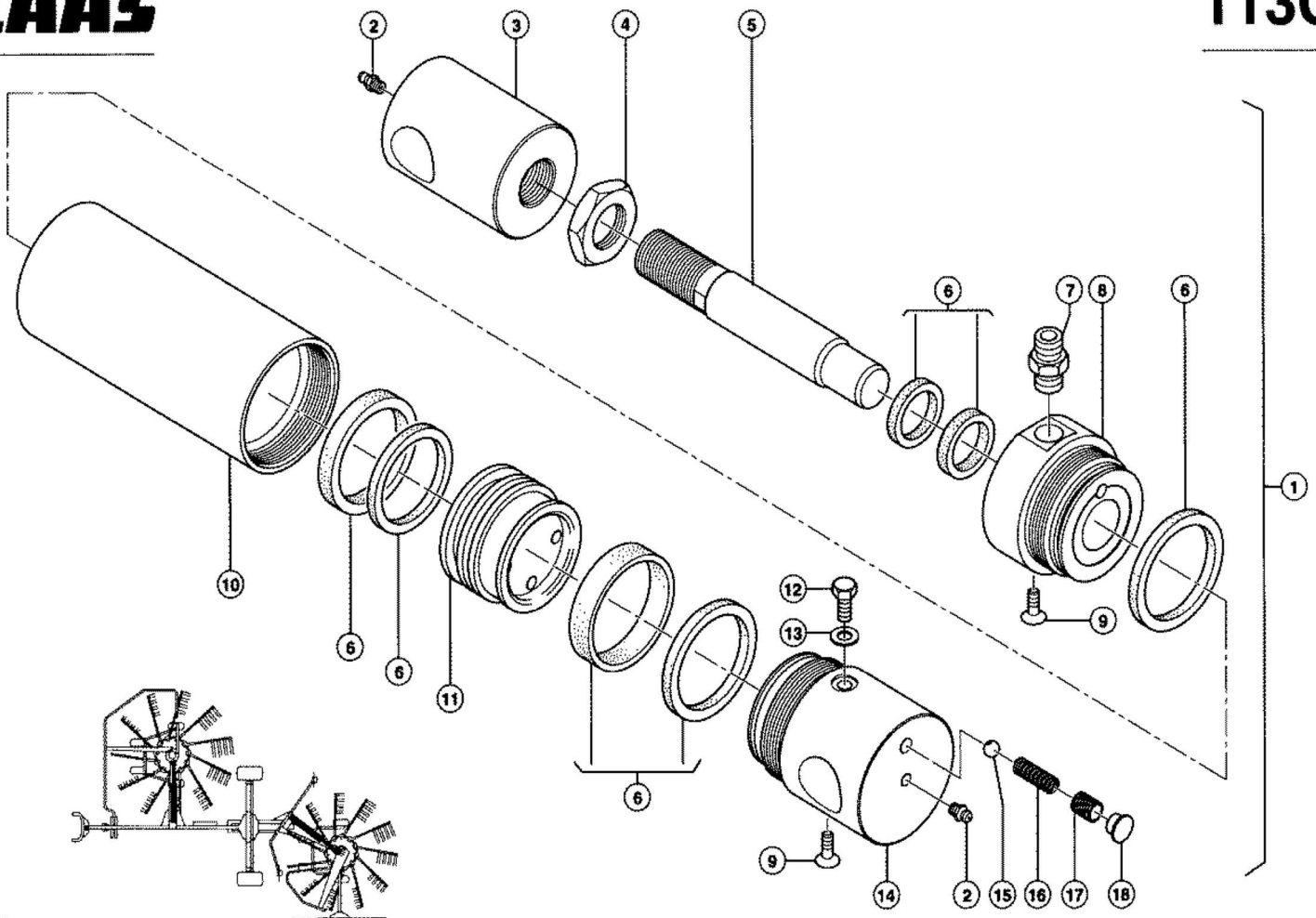
Characteristic: **HYDRAUC CYLINDER - ARM**

Illustration: **113C**

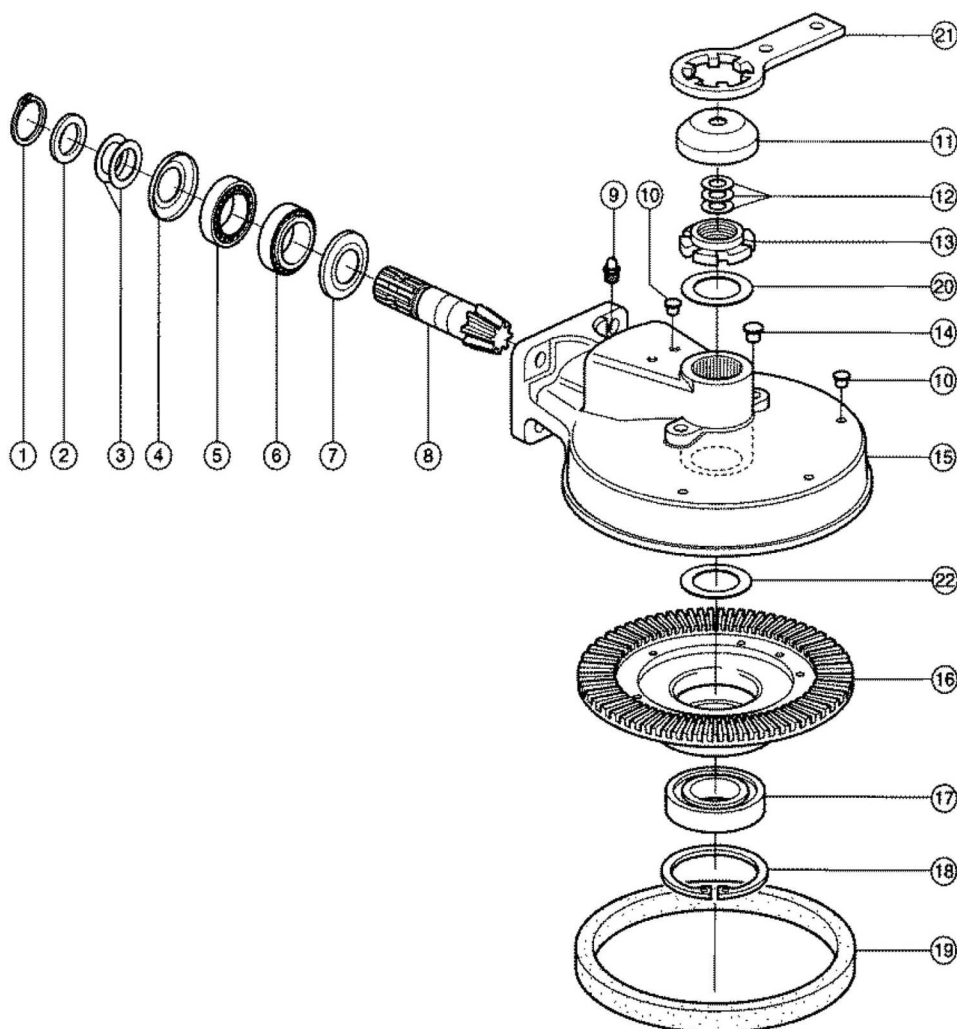
Pos.	Part-No.	Description	DIN	Dimension	Qty.	Remark
1	000 975 407 0	Pull cylinder			1	
2	000 244 943 0	Grease nipple	Din714	M6	2	
3	000 920 303 0	Piston rod eye		60x85	1	
4	000 244 446 0	Hexagonal nut	Iso8675	M24x1,5	1	
5	000 920 295 0	Piston rod		D=25mm	1	
6	000 920 302 0	Seal kit			1	
7	000 215 917 0	Screw-in union	Iso8434	Sts-L10xm14x1,5	1	
8	000 920 298 0	Cylinder head		M66x1,5	1	
9	000 214 577 0	Countersunk bolt	Iso10640	M 6x 12	2	
10	000 920 296 0	Cylinder tube		73x63	1	
11	000 920 299 0	Plunger		M24x1,5	1	
12	000 237 358 1	Hexagonal screw	Iso4017	M 6x8	1	
13	000 235 781 0	Seal ring	D7603	A 6 X10	1	
14	000 920 297 0	Cylinder bottom		M66x1,5	1	
15	000 920 237 0	Ball			1	
16	000 920 238 0	Compress.spring			1	
17	000 920 239 0	Breather			1	
18	000 920 240 0	Plug			1	

**CLAAS**

**113C**



Pos.	Part-No.	Description	DIN	Dimension	Qty.	Remark
1	000 235 164 0	Circlip	D471	35x1,5	2	
2	000 911 027 0	Back-up washer	Din988	S 35x55x3	2	
3	000 234 395 0	Shims	Din988	35x 45x0,1	N.B	
3	000 234 408 0	Shims	Din988	35x45x0,3	N.B	
3	000 234 420 0	Shims	Din988	35x45x0,5	N.B	
4	000 178 287 0	Bearing seal ring		302 07 Av	2	
5	000 235 987 0	Ta.roller bearing	D720	30207 3db	2	
6	000 243 670 0	Ta.roller bearing	D720	32207 J2/Q	2	
7	000 234 507 0	Bearing seal ring		322 07 Av	2	
8	000 955 378 1	Shaft pinion		Z=9	2	
9	000 236 942 0	Grease nipple	Din714	1/2 S6x1	4	
10	000 244 079 0	Plug		D10,7-F	10	
11	000 955 465 0	Cover		1,5 X	2	
12	000 233 130 0	Washer		18,5x 28 X3	6	
13	000 956 585 0	Slotted nut		M55x2	2	from 398 0 1551
13	000 213 556 1	Slotted nut	D981	M55x2 Km11	2	to 398 0 1490
13	000 213 557 1	Locking plate	Din540	Mb11-55x81x125	2	to 398 0 1490
14	000 238 286 0	Plug		D14,6-F	8	
15	000 955 386 1	Gearbox housing			2	
16	000 955 376 1	Wheel plate		Z = 80	2	
17	000 239 257 0	Grvd.ball bearing		6212-2rs*-C3	2	
18	000 235 194 0	Circlip	Din472	110x4	2	
19	000 955 458 0	Seal ring		282x328x25	2	
20	000 238 276 0	Back-up washer	Din988	S 55x68	2	from 398 0 1551
21	000 956 869 0	Key		8x 100x 230	1	from 398 0 1551
21	000 956 475 0	Key		8x 100x 230	1	to 398 0 1490
22	000 212 329 0	Shims	Din988	60x75x0,1	N.B	from 398 0 2250
22	000 212 256 0	Shims	Din988	60x75x0,3	N.B	from 398 0 2250
22	000 211 975 0	Shims	Din988	60x 75x1	N.B	from 398 0 2250



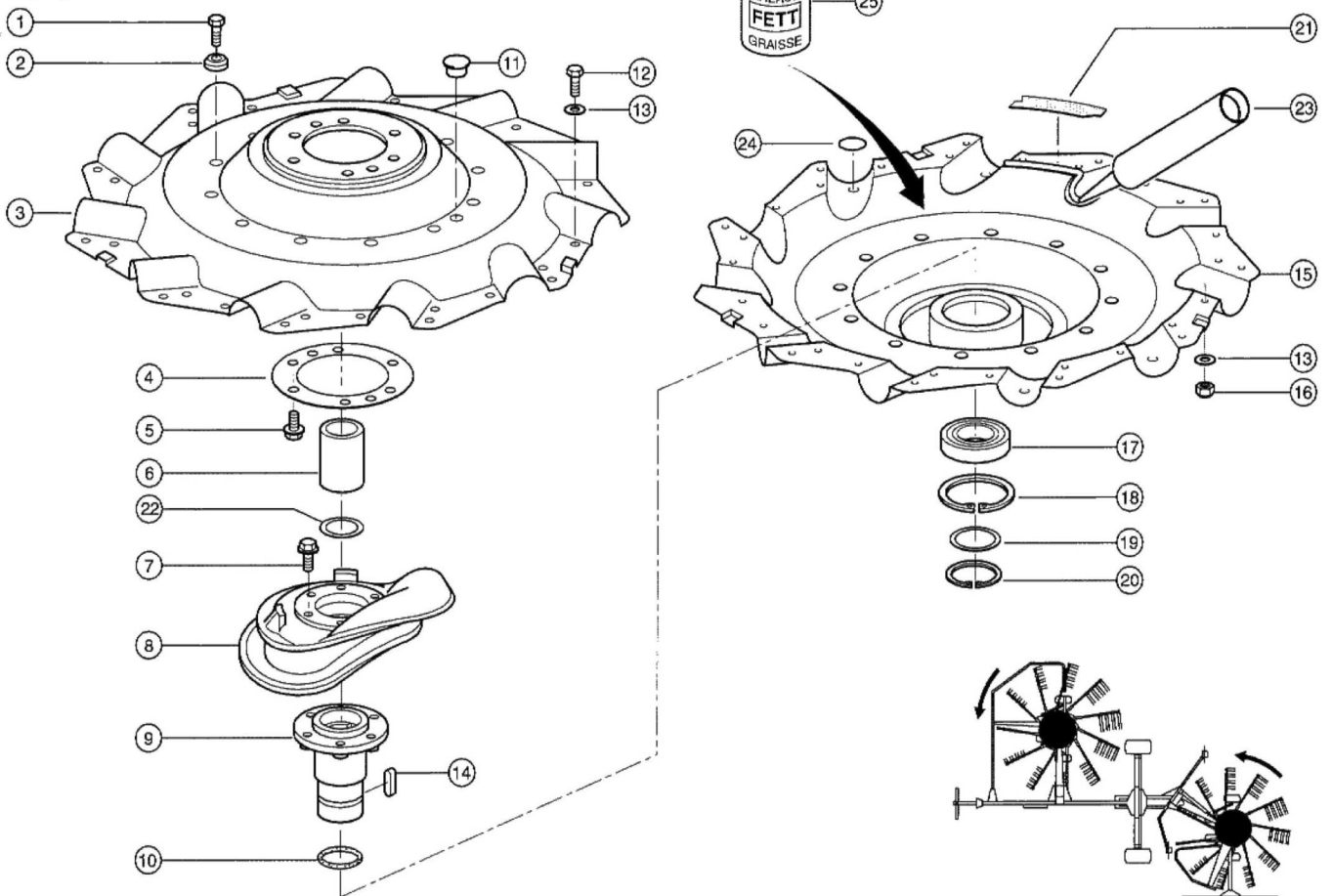
Characteristic: **SWATH GEARBOX LINER 1550 TWIN**

Illustration: **115**

Pos.	Part-No.	Description	DIN	Dimension	Qty.	Remark
1	000 212 725 0	Hexagonal screw	Iso4017	M12x20-Mkl	22	
2	000 955 437 0	Washer		12,5x 28x 5	22	
3	000 955 381 0	Disc Above		D 1000x 4	1	
4	000 955 457 0	Washer		160x 250x 4	1	
5	000 059 234 0	Self Lock. Screw		M16x35 - Tensil	6	
6	000 955 459 2	Spacer tube		75x 7 X 102	1	
7	000 239 306 0	Self Lock. Screw		M12x35 - Tensil	6	
8	000 955 387 0	Face cam			1	
9	000 955 384 0	Hub			1	
10	000 215 251 0	O-ring	D3771	74,5 X3 -N	1	
11	000 238 886 2	Plug		D30,5-F	1	
12	000 236 056 0	Hexagonal screw	Iso4017	M12x25	33	
13	000 239 389 0	Contact washer		A12	66	
14	000 215 557 0	Parallel key	D6885	Ab14x 9x 32	1	
15	000 955 440 0	Lower disc		Li-Dr	1	
16	000 238 234 0	Securing nut	Iso7042	M12	33	
17	000 212 723 0	Grvd.ball bearing		6018-2rs*	1	
18	000 242 748 0	Circlip	D472	140x4	1	
19	000 631 713 0	Back-up washer	Din988	S 90x110	1	
20	000 243 048 0	Circlip	D471	90x3	1	
21	000 206 104 0	Seal band		8x3 Anthrazit	1	
22	000 234 389 0	Back-up washer	Din988	S 60x 75	1	
23	000 217 149 0	Sealing compound		Kartusche 310 m	1	310 ml
24	000 405 200 0	Adhesive label		40 rund	11	
25	000 147 454 0	Fluid grease		25 Kg-Hobbock	1	25 kg

**CLAAS**

**115**



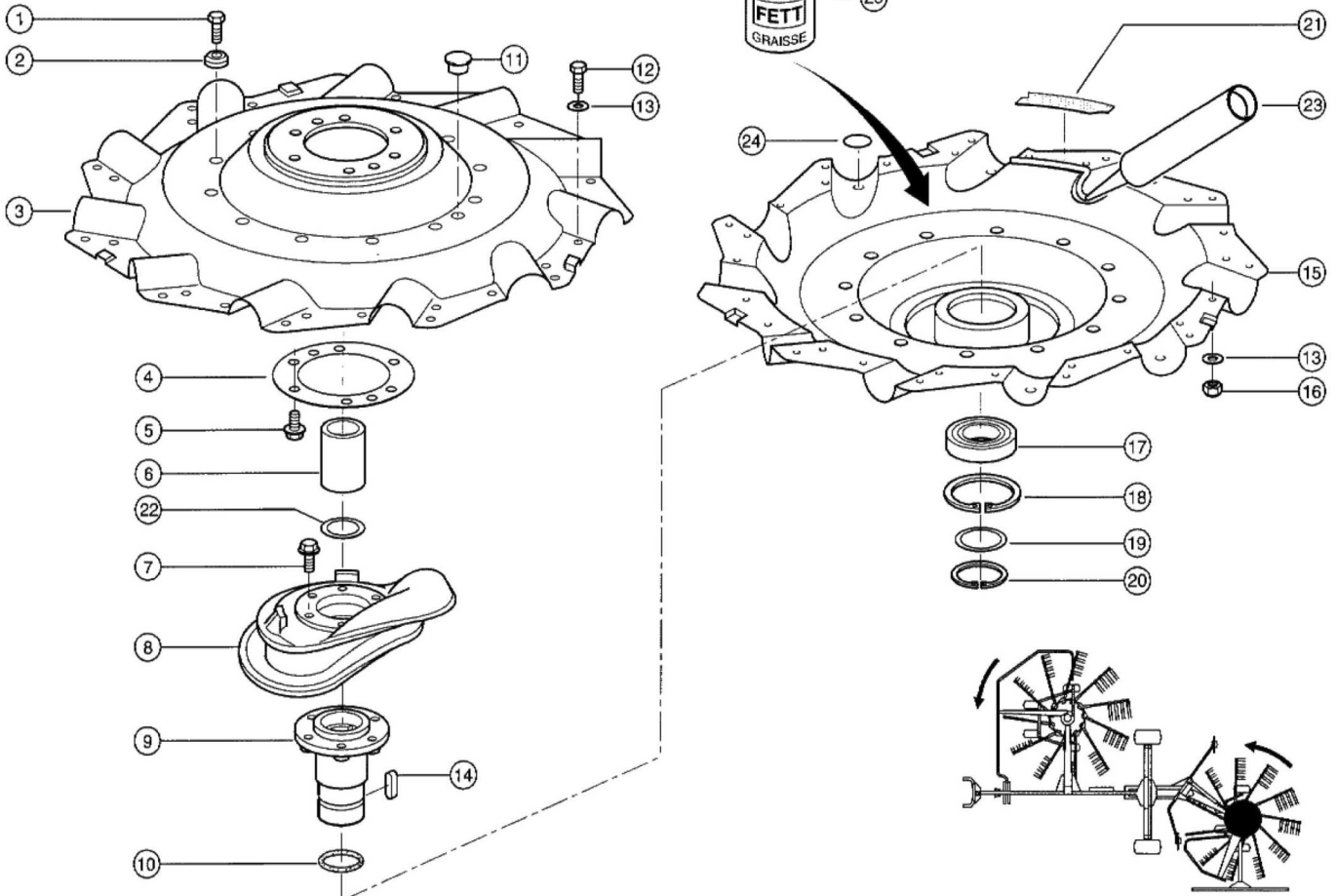
Characteristic: **SWATH GEARBOX - REAR L 1550 TWIN PROFIL**

Illustration: **115A**

Pos.	Part-No.	Description	DIN	Dimension	Qty.	Remark
1	000 212 725 0	Hexagonal screw	Iso4017	M12x20-Mkl	22	
2	000 955 437 0	Washer		12,5x 28x 5	22	
3	000 955 381 0	Disc Above		D 1000x 4	1	
4	000 955 457 0	Washer		160x 250x 4	1	
5	000 059 234 0	Self Lock. Screw		M16x35 - Tensil	6	
6	000 955 459 2	Spacer tube		75x 7 X 102	1	
7	000 239 306 0	Self Lock. Screw		M12x35 - Tensil	6	
8	000 955 387 0	Face cam			1	
9	000 955 384 0	Hub			1	
10	000 215 251 0	O-ring	D3771	74,5 X3 -N	1	
11	000 238 886 2	Plug		D30,5-F	1	
12	000 236 056 0	Hexagonal screw	Iso4017	M12x25	33	
13	000 239 389 0	Contact washer		A12	66	
14	000 215 557 0	Parallel key	D6885	Ab14x 9x 32	1	
15	000 955 440 0	Lower disc		Li-Dr	1	
16	000 238 234 0	Securing nut	Iso7042	M12	33	
17	000 212 723 0	Grvd.ball bearing		6018-2rs*	1	
18	000 242 748 0	Circlip	D472	140x4	1	
19	000 631 713 0	Back-up washer	Din988	S 90x110	1	
20	000 243 048 0	Circlip	D471	90x3	1	
21	000 206 104 0	Seal band		8x3 Anthrazit	1	
22	000 234 389 0	Back-up washer	Din988	S 60x 75	1	
23	000 217 149 0	Sealing compound		Kartusche 310 m	2	310 ml
24	000 405 200 0	Adhesive label		40 rund	11	
25	000 147 454 0	Fluid grease		25 Kg-Hobbock	1	25 kg

**CLAAS**

**115A**

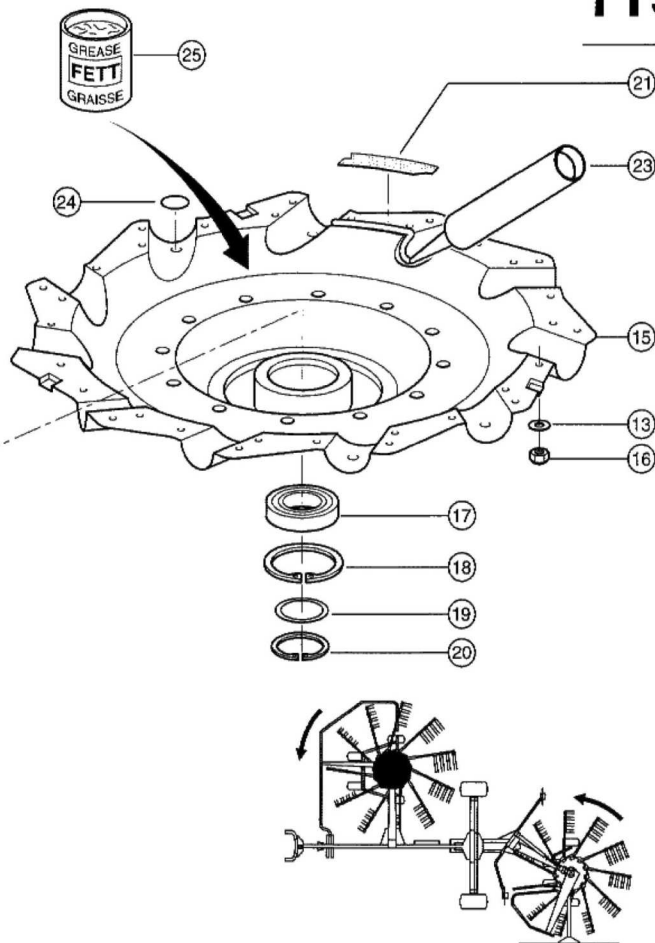
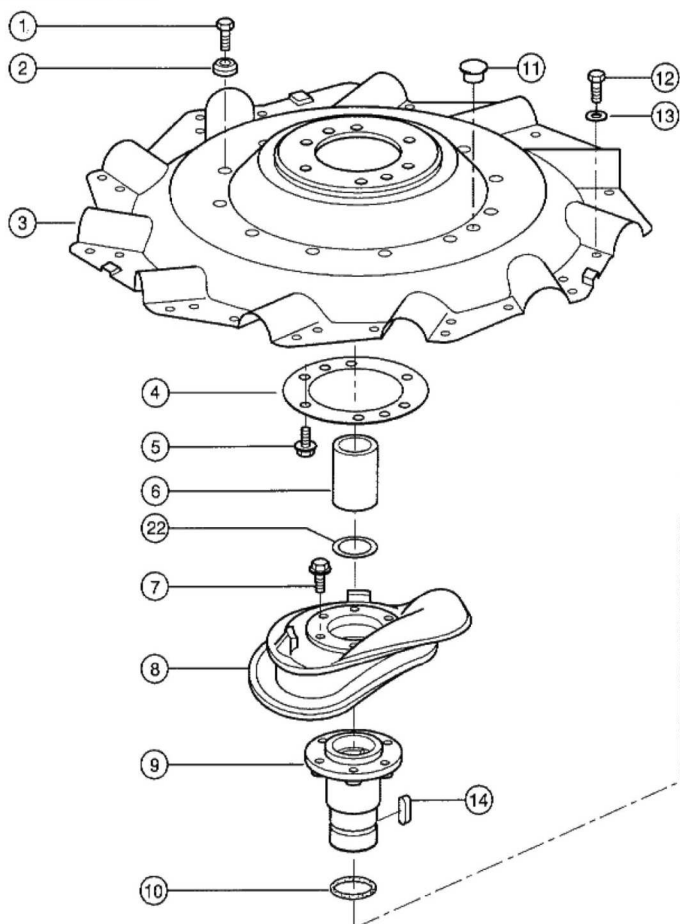


Characteristic: **SWATH GEARBOX -R.H. L 1550 TWIN PROFIL**  
 Illustration: **115B**

Pos.	Part-No.	Description	DIN	Dimension	Qty.	Remark
1	000 212 725 0	Hexagonal screw	Iso4017	M12x20-Mkl	22	
2	000 955 437 0	Washer		12,5x 28x 5	22	
3	000 955 381 0	Disc Above		D 1000x 4	1	
4	000 955 457 0	Washer		160x 250x 4	1	
5	000 059 234 0	Self Lock. Screw		M16x35 - Tensil	6	
6	000 955 459 2	Spacer tube		75x 7 X 102	1	
7	000 239 306 0	Self Lock. Screw		M12x35 - Tensil	6	
8	000 955 387 0	Face cam			1	
9	000 959 806 0	Hub			1	
10	000 218 551 0	O-ring	D3771	60,0x3,0-N	1	
11	000 238 886 2	Plug		D30,5-F	1	
12	000 236 056 0	Hexagonal screw	Iso4017	M12x25	33	
13	000 239 389 0	Contact washer		A12	66	
14	000 215 557 0	Parallel key	D6885	Ab14x 9x 32	1	
15	000 974 179 0	Lower disc		Li-Dr	1	
16	000 238 234 0	Securing nut	Iso7042	M12	61	
17	000 214 479 0	Grvd.ball bearing		6215-2rs*	1	
18	000 243 065 0	Circlip	Din472	130x4	1	
19	000 239 169 0	Shims	Din988	75x 95x1	2	
20	000 235 173 0	Circlip	D471	75x2,5	1	
21	000 206 104 0	Seal band		8x3 Anthrazit	1	
22	000 234 389 0	Back-up washer	Din988	S 60x 75	1	
23	000 217 149 0	Sealing compound		Kartusche 310 m	1	310 ml
24	000 405 200 0	Adhesive label		40 rund	11	
25	000 147 454 0	Fluid grease		25 Kg-Hobbock	1	25 kg

**CLAAS**

**115B**



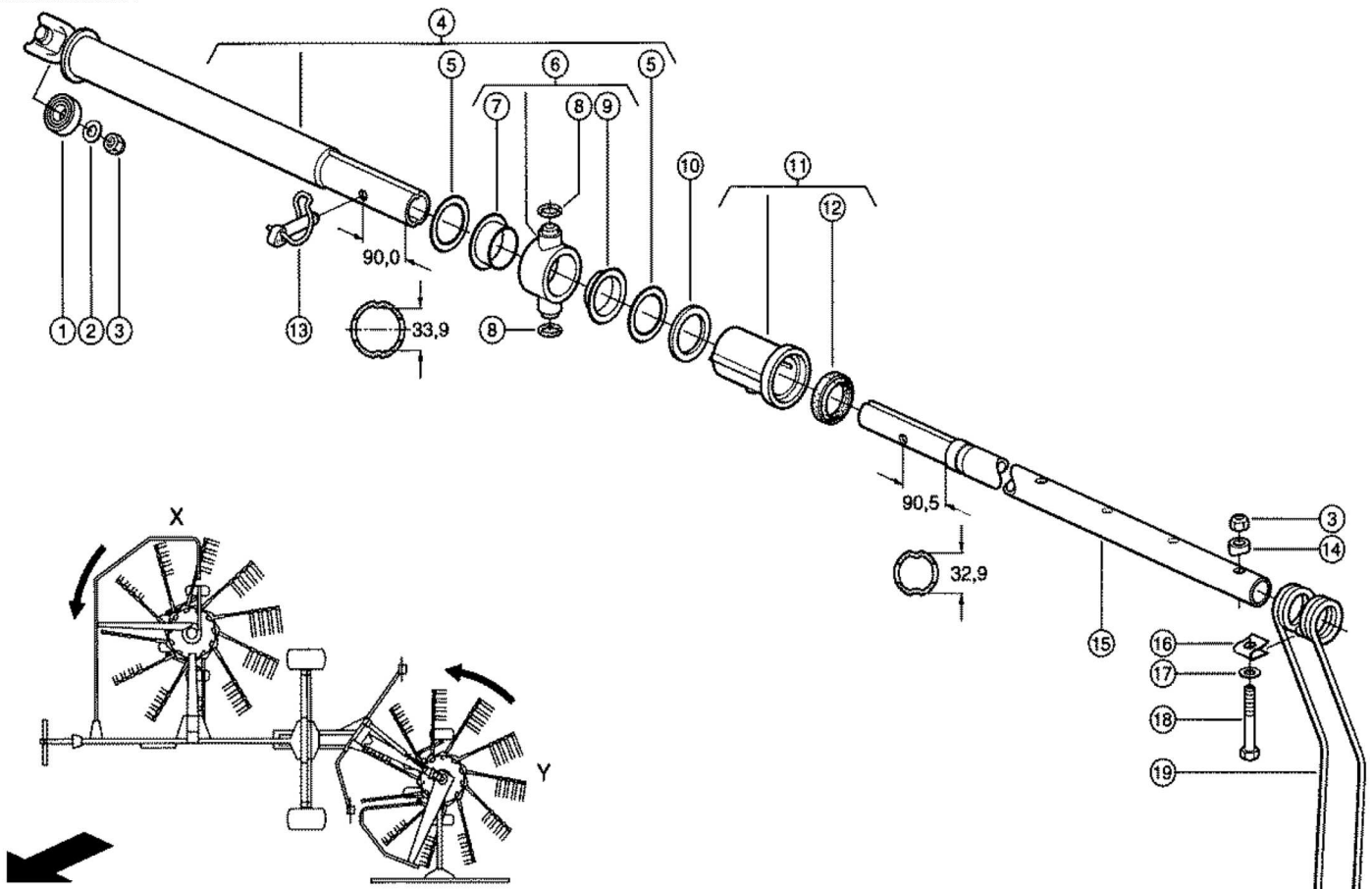
Characteristic: **TINE SUPPORT / SPRING TINES L 1550 TWIN**

Illustration: **116**

Pos.	Part-No.	Description	DIN	Dimension	Qty.	Remark
1	000 955 388 0	Guide roller		17x 47x 15	22	
2	000 239 389 0	Contact washer		A12	22	
3	000 238 234 0	Securing nut	Iso7042	M12	110	
4	000 955 410 2	Bearing tube l.h.			22	
5	000 234 079 0	Shims	Din988	51x71,5x2	44	
6	000 955 435 0	Pedestal bearing			22	
7	000 008 585 0	Bushing		50 X 54 X25	22	
8	000 238 194 0	O-ring	D3771	18x2,5 Nbr 70	46	
9	000 961 582 0	Synthetic bush		50 X 54 X 9	22	
10	000 212 710 0	Washer		50,5x 70 X4	22	
11	000 955 467 2	Clamp bearing			22	
12	000 213 561 0	Douple scraper		50x62x 8	22	
13	000 955 389 0	Tube cover plug		15x60	22	
14	000 909 568 2	Tube undertake		D 13 / R21	88	
15	000 955 422 1	Tine support		42,4x4 X 994	11	right "x"
15	000 955 423 1	Tine support		42,4x4 X 846	11	to the rear "y"
16	000 953 643 0	Support		3x 30x 68,5	88	
17	000 239 389 0	Contact washer		A12	88	
18	000 235 560 0	Hexagonal screw	Iso4014	M12x80	88	
19	000 955 483 0	Spring tines		D 9	88	

**CLAAS**

**116**



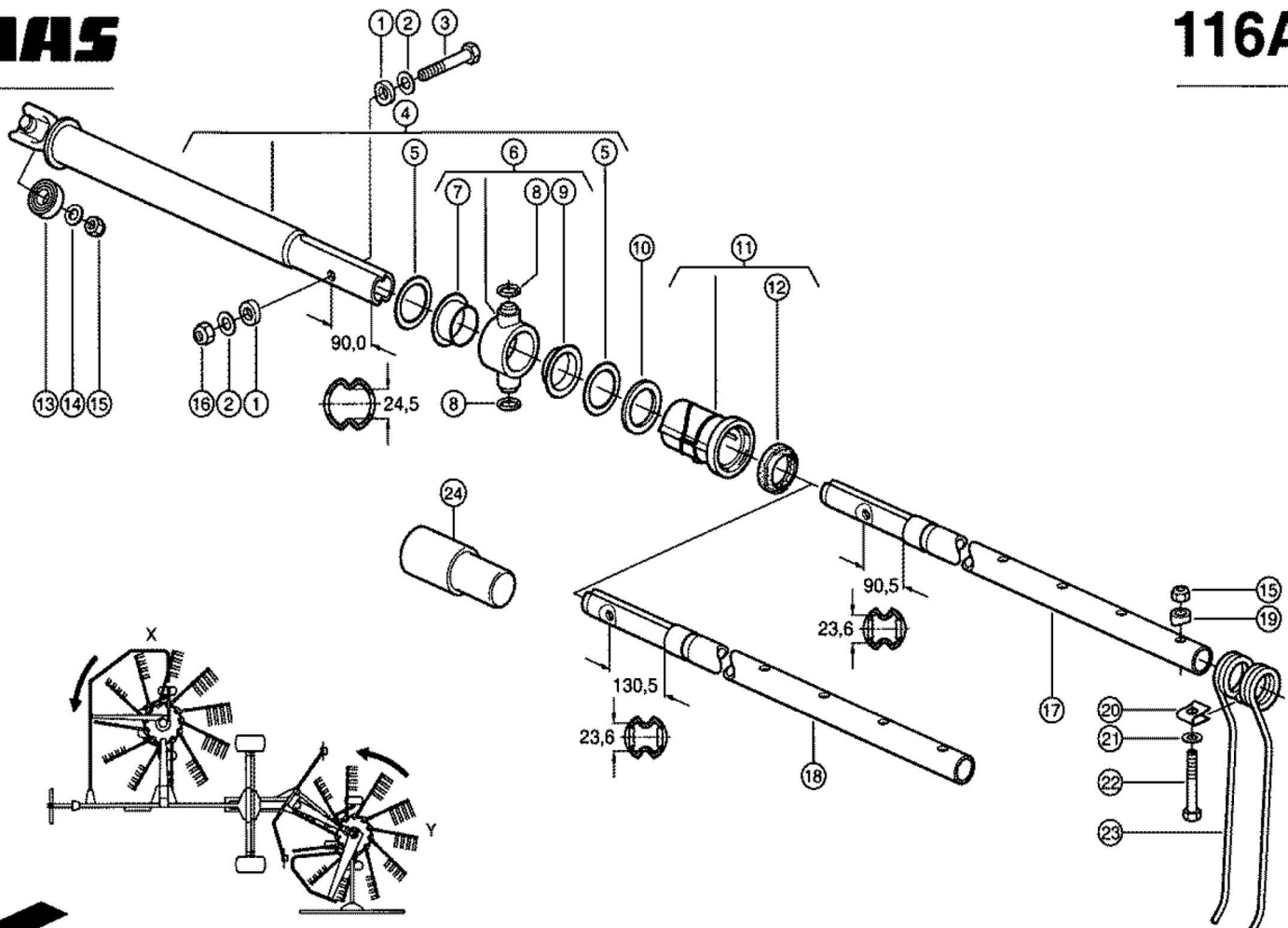
Characteristic: **TINE SUPPORT / SPRING TINES**

Illustration: **116A**

Pos.	Part-No.	Description	DIN	Dimension	Qty.	Remark
1	000 956 593 1	Tube undertake		14,2 R 21	44	
2	000 239 390 0	Contact washer		A14	44	
3	000 244 395 0	Hexagonal screw	Iso4014	M14x85	22	(99)
4	000 956 602 1	Bearing tube l.h.			22	
5	000 234 079 0	Shims	Din988	51x71,5x2	44	
6	000 955 435 0	Pedestal bearing			22	
7	000 008 585 0	Bushing		50 X 54 X25	22	
8	000 238 194 0	O-ring	D3771	18x2,5 Nbr 70	44	
9	000 961 582 0	Synthetic bush		50 X 54 X 9	22	
10	000 212 710 0	Washer		50,5x 70 X4	22	
11	000 974 479 0	Clamp bearing		Linksdr.Rt.Kz	22	from 398 0 3344
11	000 957 385 0	Clamp bearing			22	to 398 0 3343
12	000 935 086 0	Stripper		64,8x8,5/8,2	22	
13	000 955 388 0	Guide roller		17x 47x 15	22	
14	000 239 389 0	Contact washer		A12	22	
15	000 238 234 0	Securing nut	Iso7042	M12	110	
16	000 233 587 0	Securing nut	Iso7042	M14	22	
17	000 957 452 0	Tine support		42,4x4 X 994	11	"x" from 39801711
17	000 957 453 0	Tine support		42,4x4 X 846	11	"y" from 39801711
18	000 956 590 1	Tine support		42,4x4 X 994	11	"x" to 39801710
18	000 956 603 1	Tine support		42,4x4 X 846	11	"y" to 39801710
19	000 909 568 2	Tube undertake		D 13 / R21	88	(77)
20	000 953 643 1	Support		3x 30x 69,5	88	(77)
21	000 239 389 0	Contact washer		A12	88	(77)
22	000 235 560 0	Hexagonal screw	Iso4014	M12x80	88	(77)
23	000 955 710 0	Spring tines		D 9,5	88	(77) from 39803344
23	000 955 483 0	Spring tines		D 9	88	(77) to 39803343
24	000 956 476 3	Pipe protect.cap		D 62,5 X 147	12	

**CLAAS**

**116A**



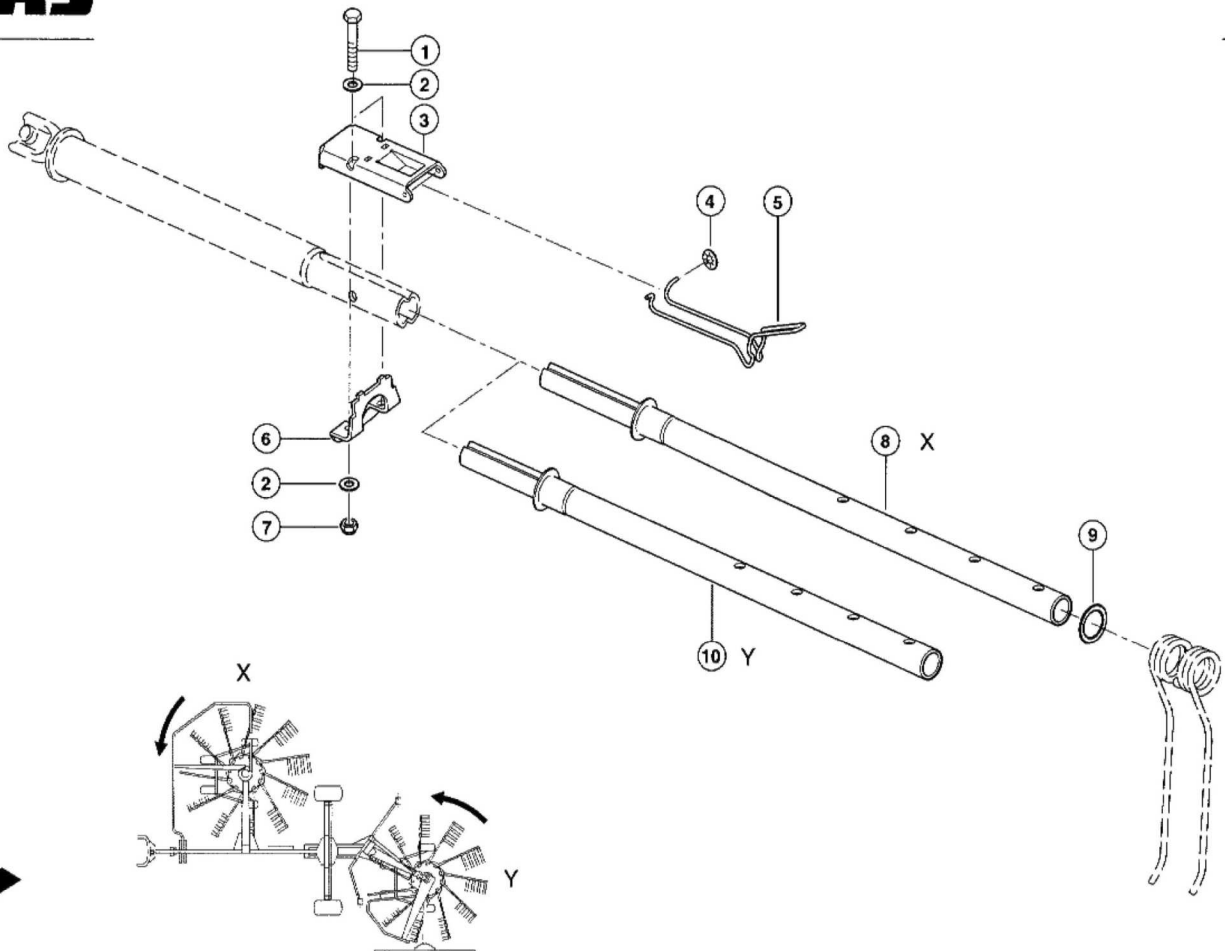


Characteristic: **CLAMP-TYPE SAFEGUARD FOR TINE CARRIERS**  
 Illustration: **116B**

Pos.	Part-No.	Description	DIN	Dimension	Qty.	Remark
-	000 494 395 1	Fuse		Liner 1550 Twin	1	
1	000 235 538 0	Hexagonal screw	Iso4014	M10x70	44	
2	000 239 388 0	Contact washer		A10	88	
3	000 924 727 2	Support		5x112x 191	22	
4	000 785 019 0	Starlock washer		6	44	
5	000 924 273 0	Spring bracket			22	
6	000 924 728 1	Support		5x 99x 96	22	
7	000 237 947 0	Securing nut	Iso7042	M10	44	
8	000 494 051 1	Tine support		42,4x4 X 994	11	
9	000 485 684 0	Washer		45x 65x 3	22	
10	000 494 397 0	Tine support		42,4x4 X 846	11	

**CLAAS**

**116B**

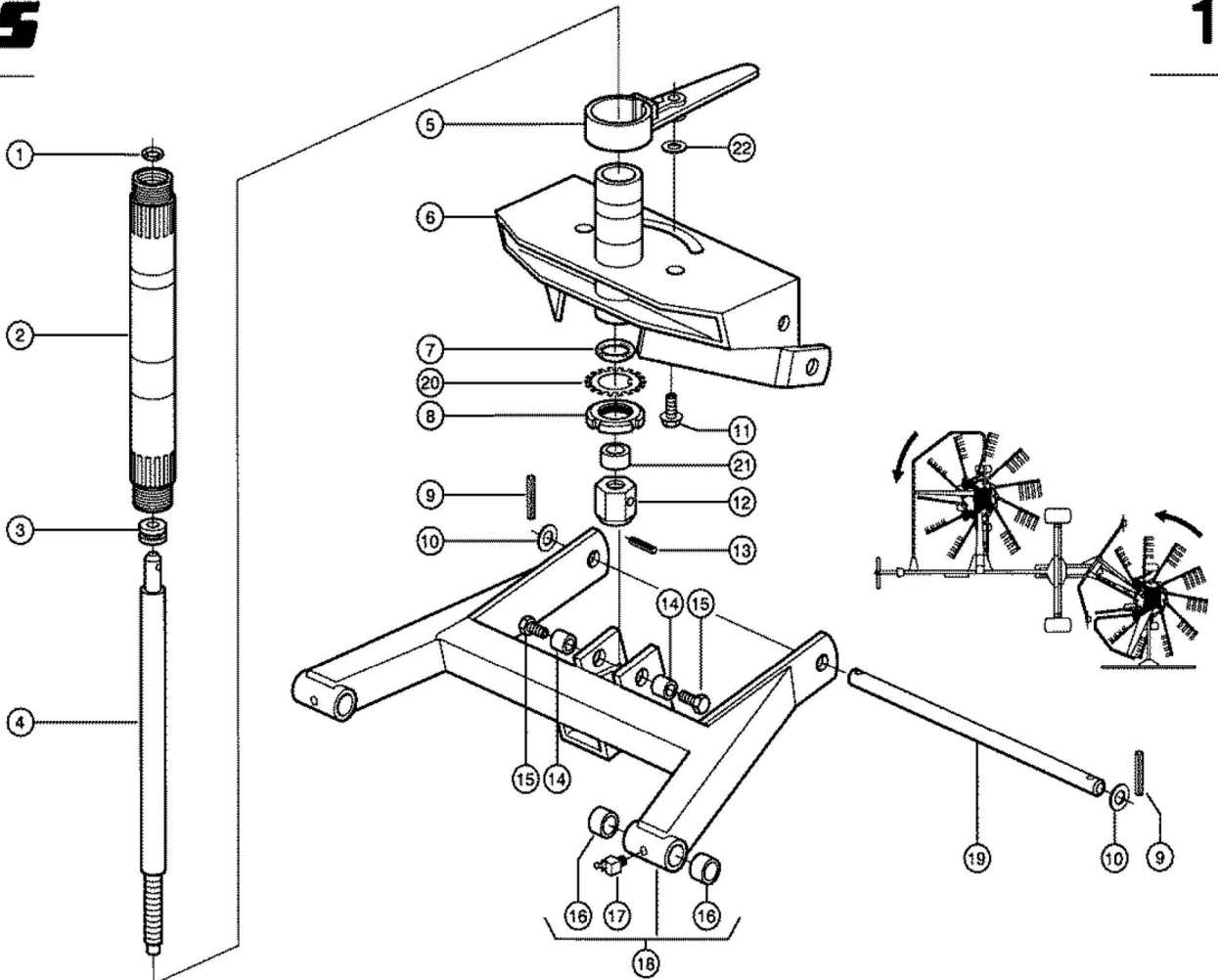


Characteristic: **AXLE LINER 1550 TWIN**  
 Illustration: **117**

Pos.	Part-No.	Description	DIN	Dimension	Qty.	Remark
1	000 238 194 0	O-ring	D3771	18x2,5 Nbr 70	2	
2	000 955 462 2	Main tube			2	
3	000 244 313 0	Bearing	D711	20tag11x	2	
4	000 955 464 2	Spindle		30h9x 698	2	M24
4	000 955 464 3	Spindle		30h9x 698	2	M26
5	000 955 385 0	Hand lever			2	
6	000 955 444 0	Chassis			2	
7	000 233 810 0	O-ring	Din3771	155 X2 -N	2	
8	000 956 585 0	Slotted nut		M55x2	2	from 398 0 1551
8	000 213 556 1	Slotted nut	D981	M55x2 Km11	2	to 398 0 1490
8	000 213 557 1	Locking plate	Din5406	Mb11-55x81x125	2	to 398 0 1490
9	000 235 680 3	Tensioning pin	Iso8752	28 X 40	4	
10	000 234 343 0	Washer		26 X 37 X3	4	
11	000 239 061 1	Self lock. screw		M16x25 - Tensil	2	
12	000 955 466 0	Spindle nut		6kt 60x 50	2	M24
12	000 955 466 1	Spindle nut		6kt 60x 50	2	M26
13	000 237 609 2	Tensioning pin	Iso8752	28 X 24-N	2	
14	000 485 127 0	Bushing		D25x4 X 25	4	
15	000 235 821 0	Hexagonal screw	Iso4017	M16x40	4	
16	000 008 561 0	Bushing		35x 39x35	8	
17	000 236 943 0	Grease nipple	Din714	12s 6x1	4	
18	000 955 496 0	Axle			2	
19	000 955 489 0	Pin		25h9x 578,5	2	
20	000 238 276 0	Back-up washer	Din988	S 55x68	2	
21	000 956 078 0	Bushing		45h9x 20	2	from 398 0 1551
22	000 234 232 0	Washer		17 X 34 X1	2	

**CLAAS**

**117**



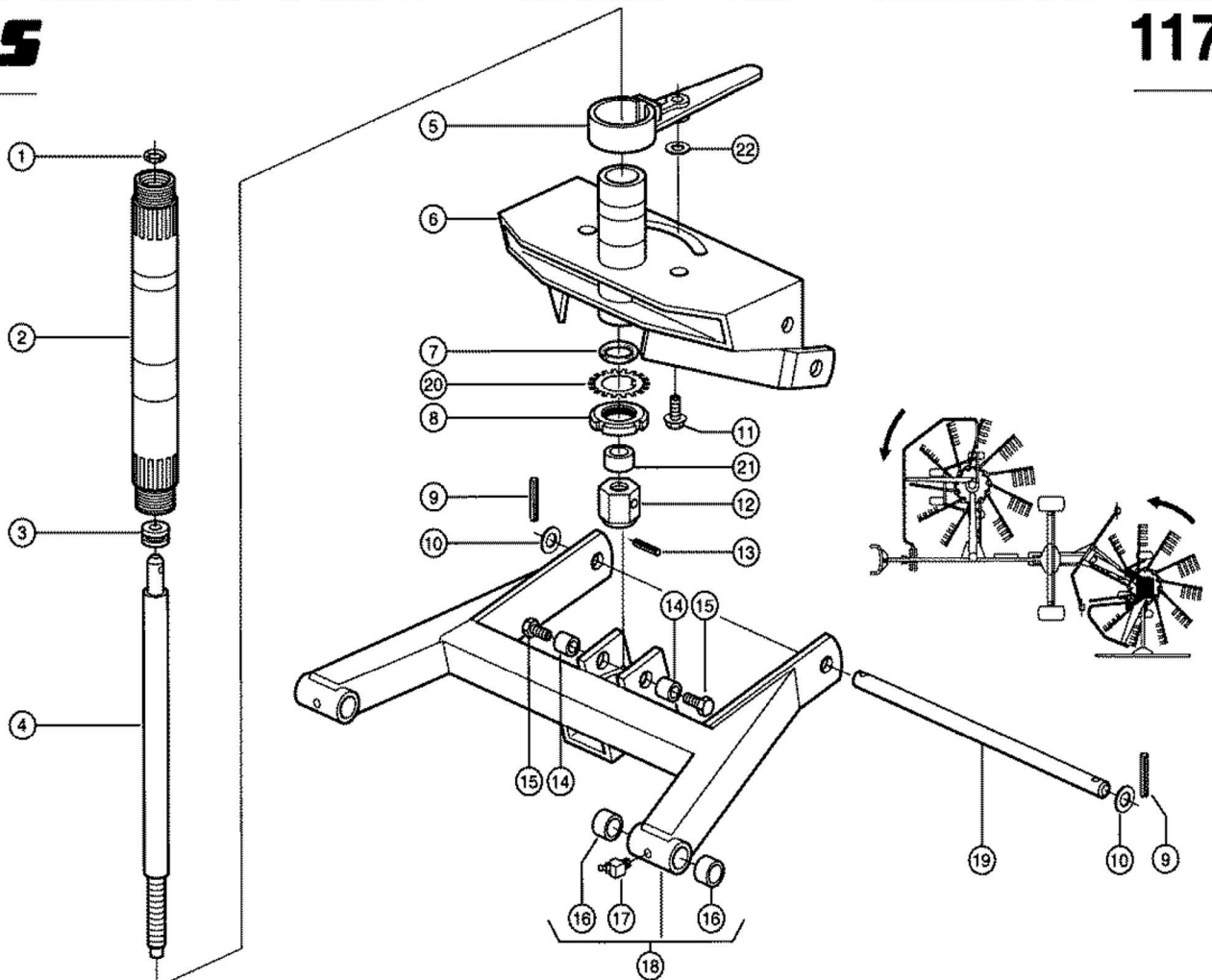
Characteristic: **AXLE - REAR LINER 1550 TWIN PROFIL**

Illustration: **117A**

Pos.	Part-No.	Description	DIN	Dimension	Qty.	Remark
1	000 238 194 0	O-ring	D3771	18x2,5 Nbr 70	1	
2	000 955 462 2	Main tube			1	
3	000 244 313 0	Bearing	D711	20tag11x	1	
4	000 955 464 3	Spindle		30h9x 698	1	M26
4	000 955 464 2	Spindle		30h9x 698	1	M24
5	000 955 385 0	Hand lever			1	
6	000 955 444 0	Chassis			1	
7	000 233 810 0	O-ring	Din3771	155 X2 -N	1	
8	000 956 585 0	Slotted nut		M55x2	1	
9	000 235 680 3	Tensioning pin	Iso8752	28 X 40	2	
10	000 234 343 0	Washer		26 X 37 X3	2	
11	000 239 061 1	Self lock. screw		M16x25 - Tensil	1	
12	000 955 466 1	Spindle nut		6kt 60x 50	1	M26
12	000 955 466 0	Spindle nut		6kt 60x 50	1	M24
13	000 237 609 2	Tensioning pin	Iso8752	28 X 24-N	1	
14	000 485 127 0	Bushing		D25x4 X 25	2	
15	000 235 821 0	Hexagonal screw	Iso4017	M16x40	2	
16	000 008 561 0	Bushing		35x 39x35	4	
17	000 236 943 0	Grease nipple	Din714	12s 6x1	2	
18	000 955 496 0	Axle			1	
19	000 955 489 0	Pin		25h9x 578,5	1	
20	000 238 276 0	Back-up washer	Din988	S 55x68	4	
21	000 956 078 1	Bushing		45h9x 20	2	
22	000 234 232 0	Washer		17 X 34 X1	2	

**CLAAS**

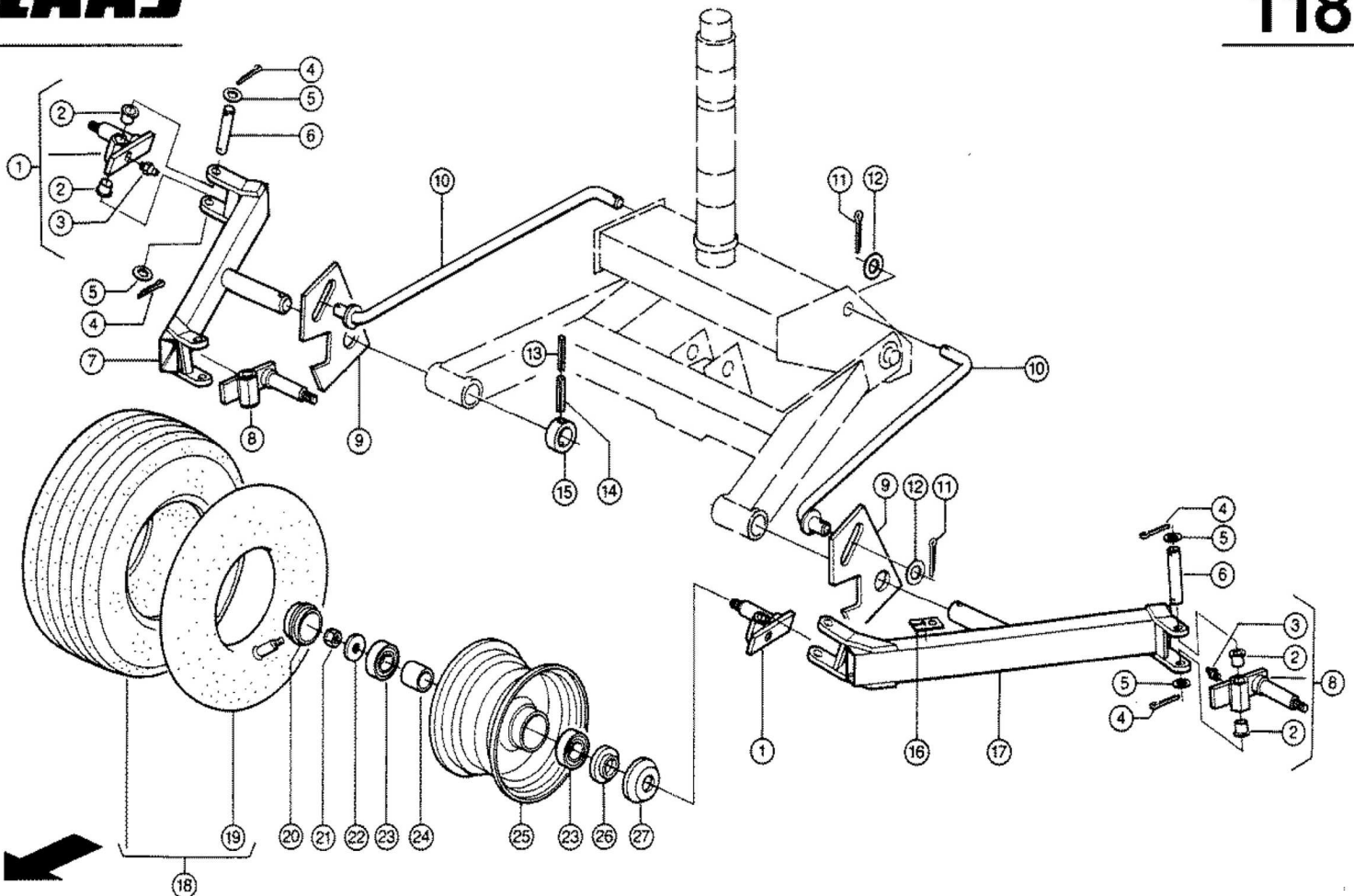
**117A**



Pos.	Part-No.	Description	DIN	Dimension	Qty.	Remark
1	000 956 052 0	Axle		rechts	2	
2	000 008 514 0	Bushing		20 X 23 X14	8	
3	000 236 942 0	Grease nipple	Din714	1/2 S6x1	4	
4	000 235 090 0	Split pin	I1234	4 X 28	8	
5	000 234 295 0	Washer		21 X 34 X2	8	
6	000 956 053 1	Pin		20h9x 94	4	
7	000 956 060 1	Tandem arm r.h.			1	
8	000 956 082 0	Axle		links	2	
9	000 955 729 0	Strip		120x12x 192	1	
10	000 955 744 0	Brace			2	
11	000 235 115 0	Split pin	I1234	6,3x 32	4	
12	000 234 368 0	Washer		21x42x4	4	
13	000 235 653 2	Tensioning pin	Iso8752	25 X 50-N	2	
14	000 235 681 2	Tensioning pin	Iso8752	28 X 50-N	2	
15	000 902 039 1	Adjusting ring		B35d10x48x16	2	
16	000 955 648 0	Sticker		Linksdehend	1	
17	000 956 074 1	Tandem arm l.h.		Linksdrehend	1	
18	000 983 705 1	Tyres		16x6,50-8 10pr	4	
18	000 983 706 1	Tyre With Tube		16x6,50-8 10pr	4	
19	000 919 265 0	Tube		16/6,50-8	4	
20	000 902 724 0	Hub cap		D 52x 35	4	
21	000 238 234 0	Securing nut	Iso7042	M12	4	
22	000 233 195 0	Washer		12,2x 30 X4	4	
23	000 235 870 0	Grvd.ball bearing		6205-2rs*	8	
24	000 919 191 0	Spacer bush		D 27 X 30 X 35	4	
25	000 919 264 1	Wheel rim		5.50 A X 8	4	
26	000 902 722 1	Seal ring		D 25x 48x 13,5	4	
27	000 954 034 0	Guard cap		D62x1,13x 20	4	

**CLAAS**

**118**



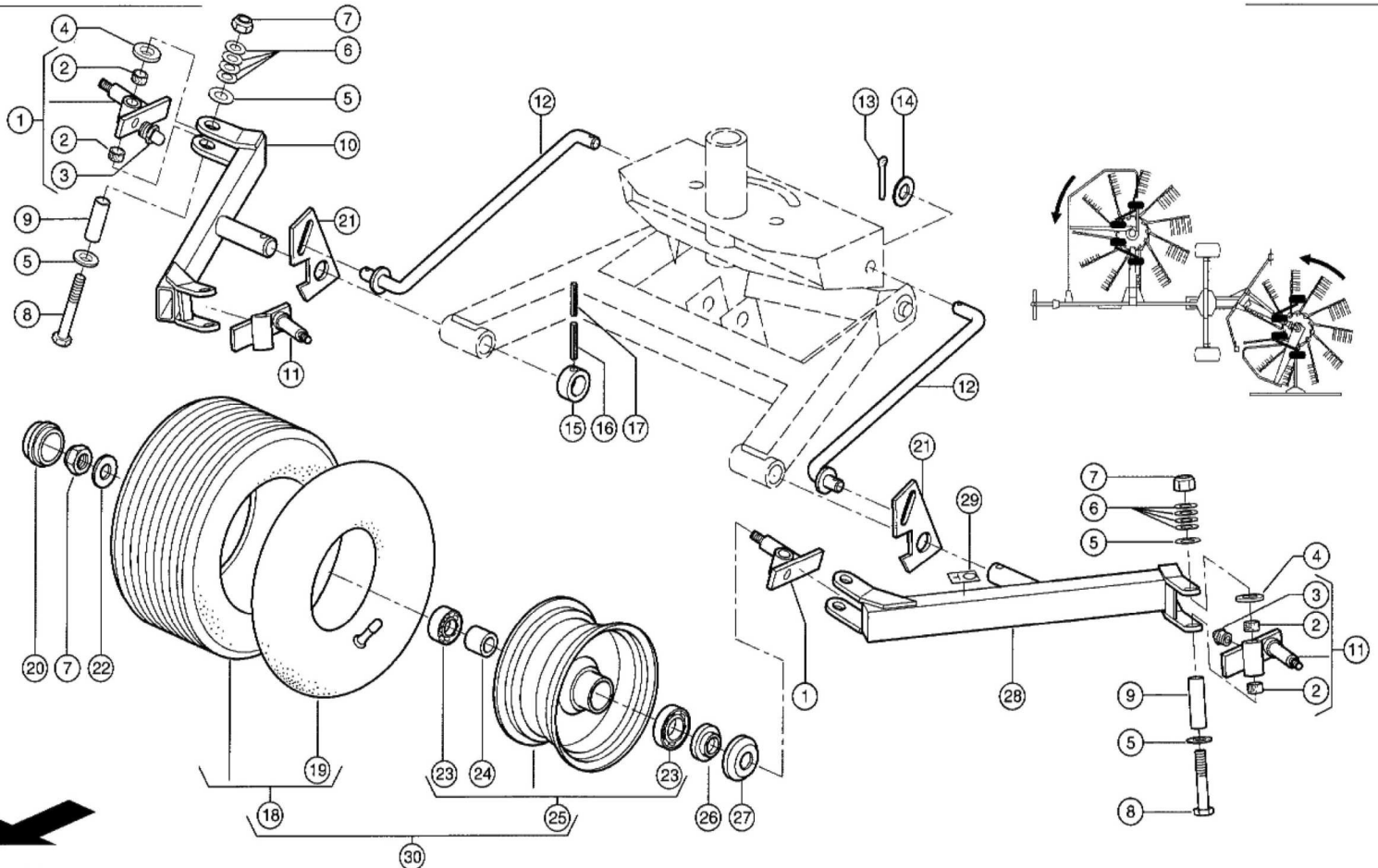
Characteristic: **AXLE TANDEM / TYRES LINER 1550 TWIN**

Illustration: **118A**

Pos.	Part-No.	Description	DIN	Dimension	Qty.	Remark
1	000 956 871 0	Axle		rechts	2	
2	000 956 833 0	Synthetic bush		20 X 23 X21	8	
3	000 236 942 0	Grease nipple	Din7141	1/2 S6x1	4	
4	000 956 831 0	Washer			4	
5	000 235 124 2	Washer	Iso7089	13 Ers.D. 2351	8	
6	000 239 389 0	Contact washer		A12	16	
7	000 238 234 0	Securing nut	Iso7042	M12	8	
8	000 242 379 0	Hexagonal screw	Iso4014	M12x110	4	
9	000 956 865 0	Tube		Ro 20x3 X 70	4	
10	000 956 060 1	Tandem arm r.h.			1	
11	000 956 870 0	Axle		links	2	
12	000 955 744 0	Brace			2	
13	000 235 115 0	Split pin	I1234	6,3x 32	4	
14	000 234 368 0	Washer		21x42x4	4	
15	000 902 039 1	Adjusting ring		B35d10x48x16	2	
16	000 235 681 2	Tensioning pin	Iso8752	8 X 50-N	2	
17	000 235 653 2	Tensioning pin	Iso8752	5 X 50-N	2	
18	000 983 706 1	Tyre With Tube		16x6,50-8 10pr	4	
19	000 919 265 0	Tube		16/6,50-8	4	
20	000 902 724 0	Hub cap		D 52x 35	4	
21	000 955 729 0	Strip		120x12x 192	1	
22	000 233 195 0	Washer		12,2x 30 X4	4	
23	000 235 870 0	Grvd.ball bearing		6205-2rs*	8	
24	000 919 191 0	Spacer bush		D 27 X 30 X 35	4	
25	000 919 264 1	Wheel rim		5.50 A X 8	4	
26	000 902 722 1	Seal ring		D 25x 48x 13,5	4	
27	000 954 034 0	Guard cap		D62x1,13x 20	4	
28	000 956 074 1	Tandem arm l.h.		Linksdrehend	1	
29	000 955 648 0	Sticker		Linksdrehend	1	
30	000 983 705 1	Tyres		16x6,50-8 10pr	4	

**CLAAS**

**118A**



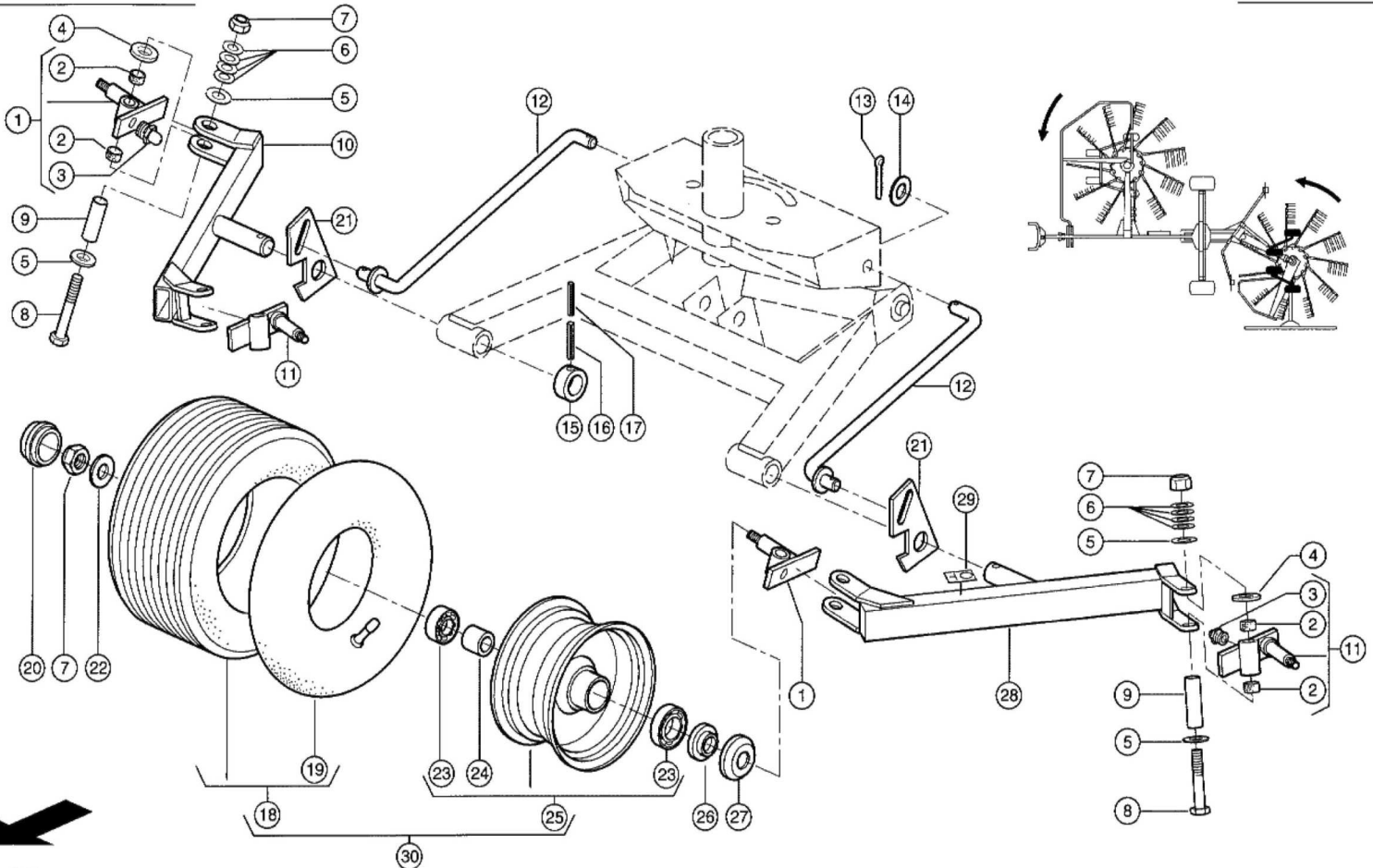
Characteristic: **AXLE TANDEM /TYRES-REAR L1550 TW PROFIL**

Illustration: **118B**

Pos.	Part-No.	Description	DIN	Dimension	Qty.	Remark
1	000 956 871 0	Axle		rechts	2	
2	000 956 833 0	Synthetic bush		20 X 23 X21	8	
3	000 236 942 0	Grease nipple	Din714	1/2 S6x1	4	
4	000 956 831 0	Washer			4	
5	000 235 124 2	Washer	Iso7089	13 Ers.D. 2351	8	
6	000 239 389 0	Contact washer		A12	16	
7	000 238 234 0	Securing nut	Iso7042	M12	8	
8	000 242 379 0	Hexagonal screw	Iso4014	M12x110	4	
9	000 956 865 0	Tube		Ro 20x3 X 70	4	
10	000 956 060 1	Tandem arm r.h.			1	
11	000 956 870 0	Axle		links	2	
12	000 955 744 0	Brace			2	
13	000 235 115 0	Split pin	I1234	6,3x 32	4	
14	000 234 368 0	Washer		21x42x4	4	
15	000 902 039 1	Adjusting ring		B35d10x48x16	2	
16	000 235 681 2	Tensioning pin	Iso8752	8 X 50-N	2	
17	000 235 653 2	Tensioning pin	Iso8752	5 X 50-N	2	
18	000 983 706 1	Tyre With Tube		16x6,50-8 10pr	4	
19	000 919 265 0	Tube		16/6,50-8	4	
20	000 902 724 0	Hub cap		D 52x 35	4	
21	000 955 729 0	Strip		120x12x 192	1	
22	000 233 195 0	Washer		12,2x 30 X4	4	
23	000 235 870 0	Grvd.ball bearing		6205-2rs*	8	
24	000 919 191 0	Spacer bush		D 27 X 30 X 35	4	
25	000 919 264 1	Wheel rim		5.50 A X 8	4	
26	000 902 722 1	Seal ring		D 25x 48x 13,5	4	
27	000 954 034 0	Guard cap		D62x1,13x 20	4	
28	000 956 074 1	Tandem arm l.h.		Linksdrehend	1	
29	000 955 648 0	Sticker		Linksdehend	1	
30	000 983 705 1	Tyres		16x6,50-8 10pr	4	

**CLAAS**

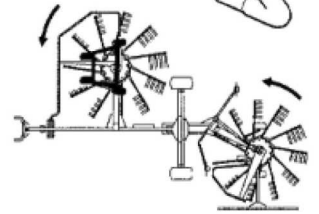
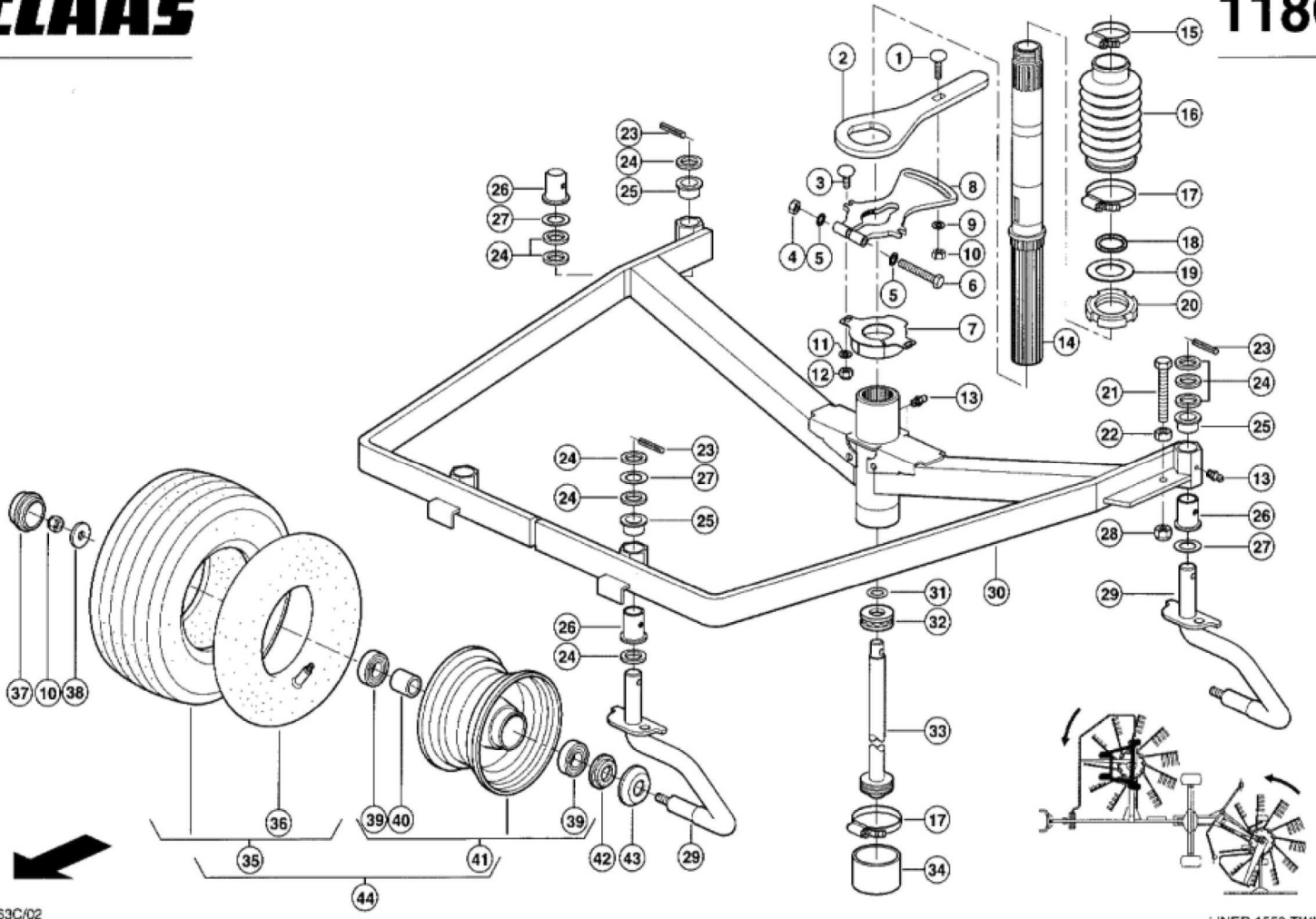
**118B**



Characteristic: **AXLE T. / TYRES- R. H. L 1550 TW PROFIL**

Illustration: **118C**

Pos.	Part-No.	Description	DIN	Dimension	Qty.	Remark
1	000 215 063 0	Flat head bolt	Din603	M12x 45	1	
2	000 974 162 2	Lever		12x120x 350	1	
3	000 233 503 0	Flat head bolt	Din603	m 8x 25	2	
4	000 237 947 0	Securing nut	Iso7042	M10	1	
5	000 239 388 0	Contact washer		A10	2	
6	000 235 543 0	Hexagonal screw	Iso4014	M10x100	1	
7	000 974 749 0	Ring			1	
8	000 974 156 0	Profile flap			1	
9	000 239 389 0	Contact washer		A12	2	
10	000 238 234 0	Securing nut	Iso7042	M12	5	
11	000 239 387 0	Contact washer		A 8	2	
12	000 238 132 0	Securing nut	Iso7042	M08	2	
13	000 236 942 0	Grease nipple	Din7141	S6x1	6	
14	000 974 137 0	Central tube			1	
15	000 238 909 1	Hose clamp	D3017	W.Ers.D.2389092	2	
16	000 974 734 0	Bellows			1	
17	000 238 908 1	Hose clamp	D3017	W.Ers.D.2399082	1	
18	000 233 810 0	O-ring	Din3771	55 X2 -N	1	
19	000 238 276 0	Back-up washer	Din988	S 55x68	1	
20	000 956 585 0	Slotted nut		M55x2	1	
21	000 233 095 0	Hexagonal screw	Iso4017	M16x65	2	
22	000 236 173 0	Hexagonal nut	Iso4032	M16	2	
23	000 235 681 2	Tensioning pin	Iso8752	8 X 50-N	4	
24	000 802 198 0	Spacer ring		36 X 52 X5	12	
25	000 008 559 0	Bushing		35 X 39 X13	4	
26	000 954 802 1	Bushing		35 X 39 X58	4	
27	000 233 105 0	Washer		35x55x1	4	
28	000 238 047 0	Securing nut	Iso7042	M16	2	
29	000 958 084 2	Axle			4	
30	000 959 010 4	Axle			1	
31	000 238 194 0	O-ring	D3771	18x2,5 Nbr 70	1	
32	000 244 313 0	Bearing	D711	20tag11x	1	
33	000 974 515 0	Spindle			1	
34	000 214 199 0	Pipe protect.cap		D 87,9 Gpn 250	1	
35	000 983 706 1	Tyre With Tube		16x6,50-8 10pr	4	
36	000 919 265 0	Tube		16/6,50-8	4	
37	000 902 724 0	Hub cap		D 52x 35	4	
38	000 233 195 0	Washer		12,2x 30 X4	4	
39	000 235 870 0	Grvd.ball bearing		6205-2rs*	8	
40	000 919 191 0	Spacer bush		D 27 X 30 X 35	4	
41	000 919 264 1	Wheel rim		5.50 A X 8	4	
42	000 902 722 1	Seal ring		D 25x 48x 13,5	4	
43	000 954 034 0	Guard cap		D62x1,13x 20	4	
44	000 494 165 0	Tyres		16x6,50-8 10pr	4	





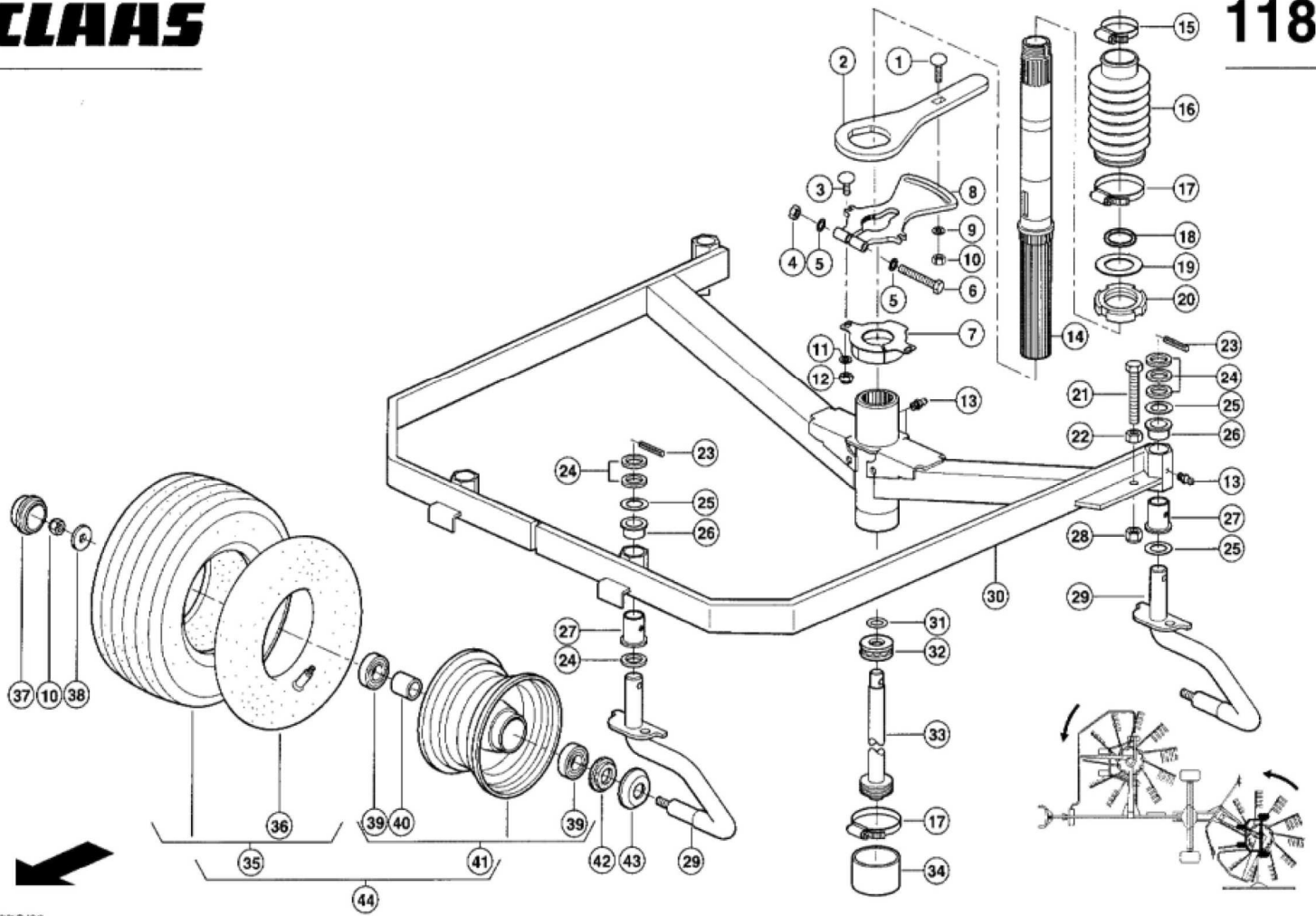
Characteristic: **AXLE TANDEM /TYRES-REAR L1550 TW PROFIL**

Illustration: **118D**

Pos.	Part-No.	Description	DIN	Dimension	Qty.	Remark
1	000 215 063 0	Flat head bolt	Din603	M12x 45	1	
2	000 974 162 2	Lever		12x120x 350	1	
3	000 233 503 0	Flat head bolt	Din603	m 8x 25	2	
4	000 237 947 0	Securing nut	Iso7042	M10	1	
5	000 239 388 0	Contact washer		A10	2	
6	000 235 543 0	Hexagonal screw	Iso4014	M10x100	1	
7	000 974 749 0	Ring			1	
8	000 974 156 0	Profile flap			1	
9	000 239 389 0	Contact washer		A12	2	
10	000 238 234 0	Securing nut	Iso7042	M12	5	
11	000 239 387 0	Contact washer		A 8	2	
12	000 238 132 0	Securing nut	Iso7042	M08	2	
13	000 236 942 0	Grease nipple	Din7141	S6x1	6	
14	000 974 137 0	Central tube			1	
15	000 238 908 2	Hose clamp	Din3017	A1- 70-90x12	1	
16	000 974 734 0	Bellows			1	
17	000 238 909 2	Hose clamp	Din3017	A1- 80-100x12	2	
18	000 233 810 0	O-ring	Din3771	55 X2 -N	1	
19	000 238 276 0	Back-up washer	Din988	S 55x68	1	
20	000 956 585 0	Slotted nut		M55x2	1	
21	000 233 095 0	Hexagonal screw	Iso4017	M16x65	2	
22	000 236 173 0	Hexagonal nut	Iso4032	M16	2	
23	000 235 681 2	Tensioning pin	Iso8752	8 X 50-N	4	
24	000 802 198 0	Spacer ring		36 X 52 X5	12	
25	000 233 105 0	Washer		35x55x1	4	
26	000 008 559 0	Bushing		35 X 39 X13	4	
27	000 954 802 1	Bushing		35 X 39 X58	4	
28	000 238 047 0	Securing nut	Iso7042	M16	2	
29	000 958 084 2	Axle			4	
30	000 975 257 0	Axle			1	
31	000 238 194 0	O-ring	D3771	18x2,5 Nbr 70	1	
32	000 244 313 0	Bearing	D711	20tag11x	1	
33	000 974 515 0	Spindle			1	
34	000 214 199 0	Pipe protect.cap		D 87,9 Gpn 250	1	
35	000 983 706 1	Tyre With Tube		16x6,50-8 10pr	4	
36	000 919 265 0	Tube		16/6,50-8	4	
37	000 902 724 0	Hub cap		D 52x 35	4	
38	000 233 195 0	Washer		12,2x 30 X4	4	
39	000 235 870 0	Grvd.ball bearing		6205-2rs*	8	
40	000 919 191 0	Spacer bush		D 27 X 30 X 35	4	
41	000 919 264 1	Wheel rim		5.50 A X 8	4	
42	000 902 722 1	Seal ring		D 25x 48x 13,5	4	
43	000 954 034 0	Guard cap		D62x1,13x 20	4	
44	000 494 165 0	Tyres		16x6,50-8 10pr	4	

**CLAAS**

**118D**



93457C/02

LINER 1550 TWIN Profil

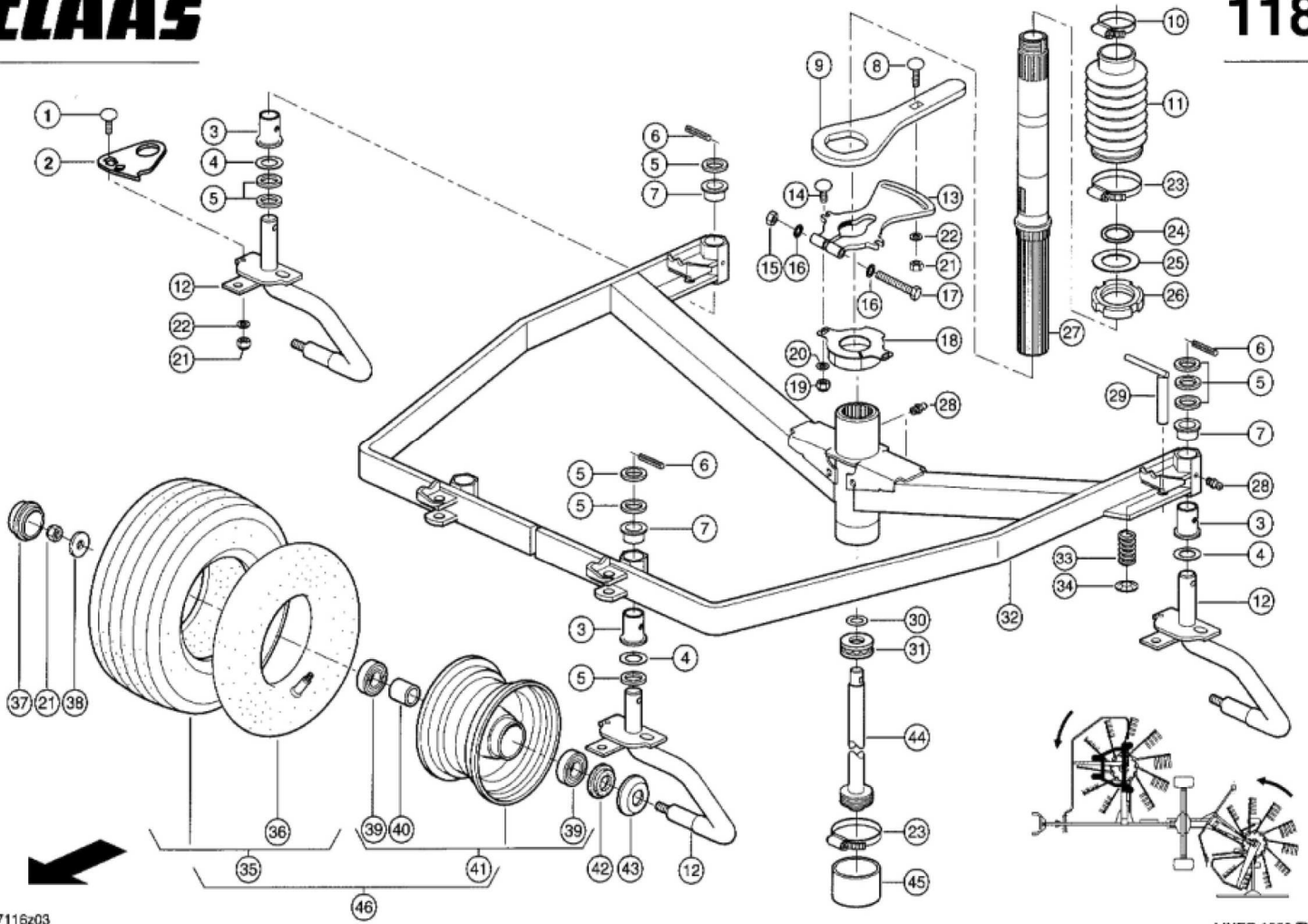
Characteristic: **AXLE T. / TYRES- R. H. L 1550 TW PROFIL**

Illustration: **118E**

Pos.	Part-No.	Description	DIN	Dimension	Qty.	Remark
1	000 238 461 0	Flat head bolt	Din603	M12x35	1	
2	000 924 557 1	Strip		5x 93x 99	1	
3	000 954 802 1	Bushing		35 X 39 X58	4	
4	000 233 105 0	Washer		35x55x1	4	
5	000 802 198 0	Spacer ring		36 X 52 X5	12	
6	000 235 681 2	Tensioning pin	Iso8752	28 X 50-N	4	
7	000 008 559 0	Bushing		35 X 39 X13	4	
8	000 215 063 0	Flat head bolt	Din603	M12x 45	1	
9	000 974 162 2	Lever		12x120x 350	1	
10	000 238 909 2	Hose clamp	Din3017	A1- 80-100x12	2	
11	000 974 734 0	Bellows			1	
12	000 924 550 0	Axle			4	
13	000 974 156 0	Profile flap			1	
14	000 233 503 0	Flat head bolt	Din603	m 8x 25	2	
15	000 237 947 0	Securing nut	Iso7042	M10	1	
16	000 239 388 0	Contact washer		A10	2	
17	000 235 543 0	Hexagonal screw	Iso4014	M10x100	1	
18	000 974 749 0	Ring			1	
19	000 238 132 0	Securing nut	Iso7042	M08	2	
20	000 239 387 0	Contact washer		A 8	2	
21	000 238 234 0	Securing nut	Iso7042	M12	5	
22	000 239 389 0	Contact washer		A12	2	
23	000 238 908 2	Hose clamp	Din3017	A1- 70-90x12	1	
24	000 233 810 0	O-ring	Din3771	55 X2 -N	1	
25	000 238 276 0	Back-up washer	Din988	S 55x68	1	
26	000 956 585 0	Slotted nut		M55x2	1	
27	000 974 137 0	Central tube			1	
28	000 236 942 0	Grease nipple	Din7141	2 S6x1	6	
29	000 924 552 1	Plug			2	
30	000 238 194 0	O-ring	D3771	18x2,5 Nbr 70	1	
31	000 244 313 0	Bearing	D711	20tag11x	1	
32	000 924 568 4	Axle			1	
33	000 233 643 0	Compress.spring	D2098	2 X 25 X 58	4	
34	000 211 229 0	Starlock washer		18	4	
35	000 983 706 1	Tyre With Tube		16x6,50-8 10pr	4	
36	000 919 265 0	Tube		16/6,50-8	4	
37	000 902 724 0	Hub cap		D 52x 35	4	
38	000 233 195 0	Washer		12,2x 30 X4	4	
39	000 235 870 0	Grvd.ball bearing		6205-2rs*	8	
40	000 919 191 0	Spacer bush		D 27 X 30 X 35	4	
41	000 919 264 1	Wheel rim		5.50 A X 8	4	
42	000 902 722 1	Seal ring		D 25x 48x 13,5	4	
43	000 954 034 0	Guard cap		D62x1,13x 20	4	
44	000 974 515 0	Spindle			1	
45	000 214 199 0	Pipe protect.cap		D 87,9 Gpn 250	1	
46	000 494 165 0	Tyres		16x6,50-8 10pr	4	

# CLAAS

# 118E



87116z03

LINER 1550 TWIN Profil

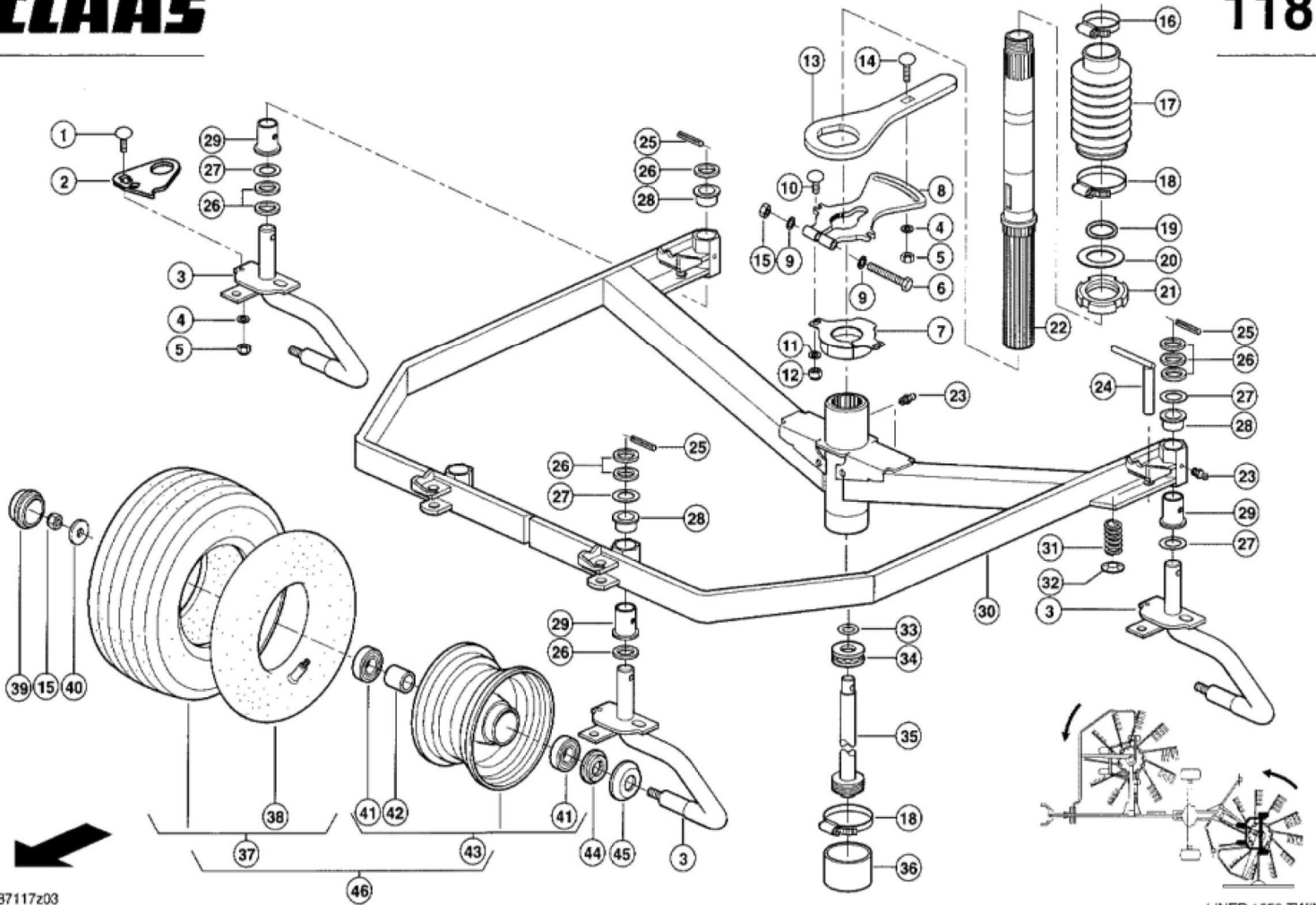
Characteristic: **AXLE TANDEM /TYRES-REAR L1550 TW PROFIL**

Illustration: **118F**

Pos.	Part-No.	Description	DIN	Dimension	Qty.	Remark
1	000 238 461 0	Flat head bolt	Din603	M12x35	1	
2	000 924 557 1	Strip		5x 93x 99	1	
3	000 924 550 0	Axle			4	
4	000 239 389 0	Contact washer		A12	2	
5	000 238 234 0	Securing nut	Iso7042	M12	5	
6	000 235 543 0	Hexagonal screw	Iso4014	M10x100	1	
7	000 974 749 0	Ring			1	
8	000 974 156 0	Profile flap			1	
9	000 239 388 0	Contact washer		A10	2	
10	000 233 503 0	Flat head bolt	Din603	m 8x 25	2	
11	000 239 387 0	Contact washer		A 8	2	
12	000 238 132 0	Securing nut	Iso7042	M08	2	
13	000 974 162 2	Lever		12x120x 350	1	
14	000 215 063 0	Flat head bolt	Din603	M12x 45	1	
15	000 237 947 0	Securing nut	Iso7042	M10	1	
16	000 238 908 2	Hose clamp	Din3017	A1- 70-90x12	1	
17	000 974 734 0	Bellows			1	
18	000 238 909 2	Hose clamp	Din3017	A1- 80-100x12	2	
19	000 233 810 0	O-ring	Din3771	55 X2 -N	1	
20	000 238 276 0	Back-up washer	Din988	S 55x68	1	
21	000 956 585 0	Slotted nut		M55x2	1	
22	000 974 137 0	Central tube			1	
23	000 236 942 0	Grease nipple	Din7141	1/2 S6x1	6	
24	000 924 552 1	Plug			4	
25	000 235 681 2	Tensioning pin	Iso8752	8 X 50-N	4	
26	000 802 198 0	Spacer ring		36 X 52 X5	12	
27	000 233 105 0	Washer		35x55x1	4	
28	000 008 559 0	Bushing		35 X 39 X13	4	
29	000 954 802 1	Bushing		35 X 39 X58	4	
30	000 975 257 5	Axle			1	
31	000 233 643 0	Compress.spring	D2098	2 X 25 X 58	4	
32	000 211 229 0	Starlock washer		18	4	
33	000 238 194 0	O-ring	D3771	18x2,5 Nbr 70	1	
34	000 244 313 0	Bearing	D711	20tag11x	1	
35	000 974 515 0	Spindle			1	
36	000 214 199 0	Pipe protect.cap		D 87,9 Gpn 250	1	
37	000 983 706 1	Tyre With Tube		16x6,50-8 10pr	4	
38	000 919 265 0	Tube		16/6,50-8	4	
39	000 902 724 0	Hub cap		D 52x 35	4	
40	000 233 195 0	Washer		12,2x 30 X4	4	
41	000 235 870 0	Grvd.ball bearing		6205-2rs*	8	
42	000 919 191 0	Spacer bush		D 27 X 30 X 35	4	
43	000 919 264 1	Wheel rim		5.50 A X 8	4	
44	000 902 722 1	Seal ring		D 25x 48x 13,5	4	
45	000 954 034 0	Guard cap		D62x1,13x 20	4	
46	000 494 165 0	Tyres		16x6,50-8 10pr	4	

**CLAAS**

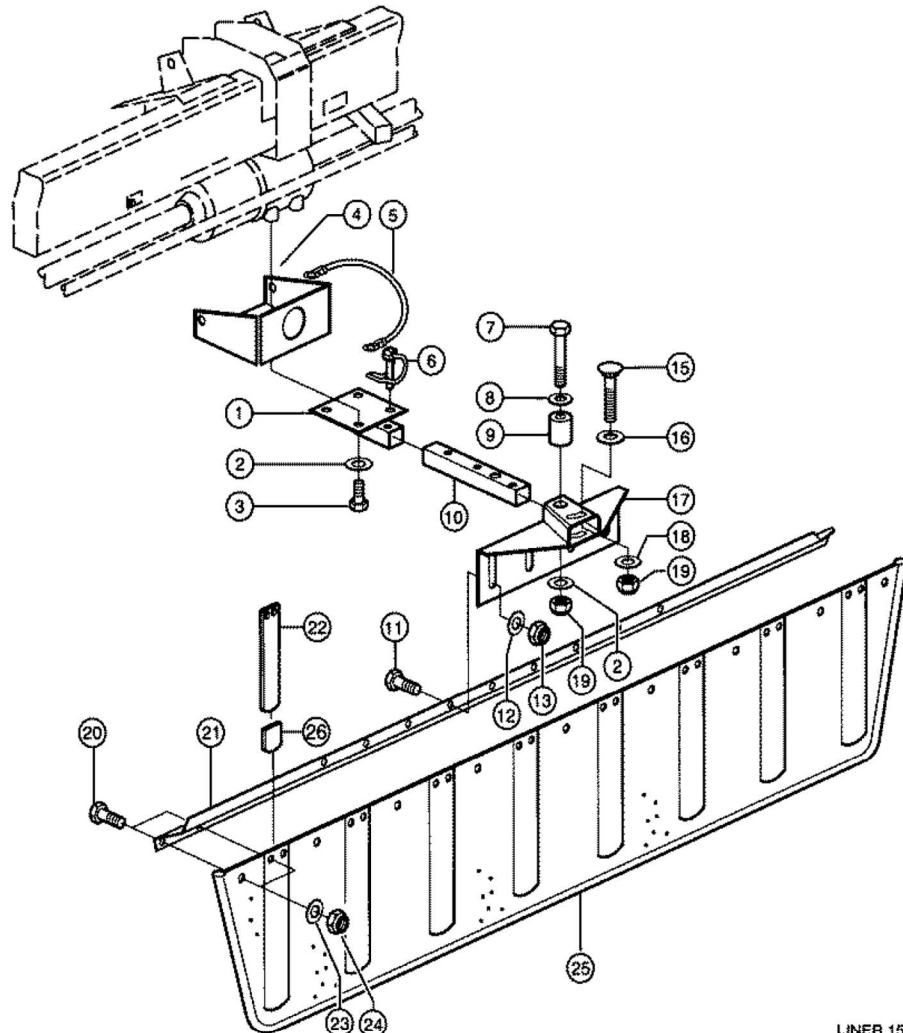
**118F**



87117z03

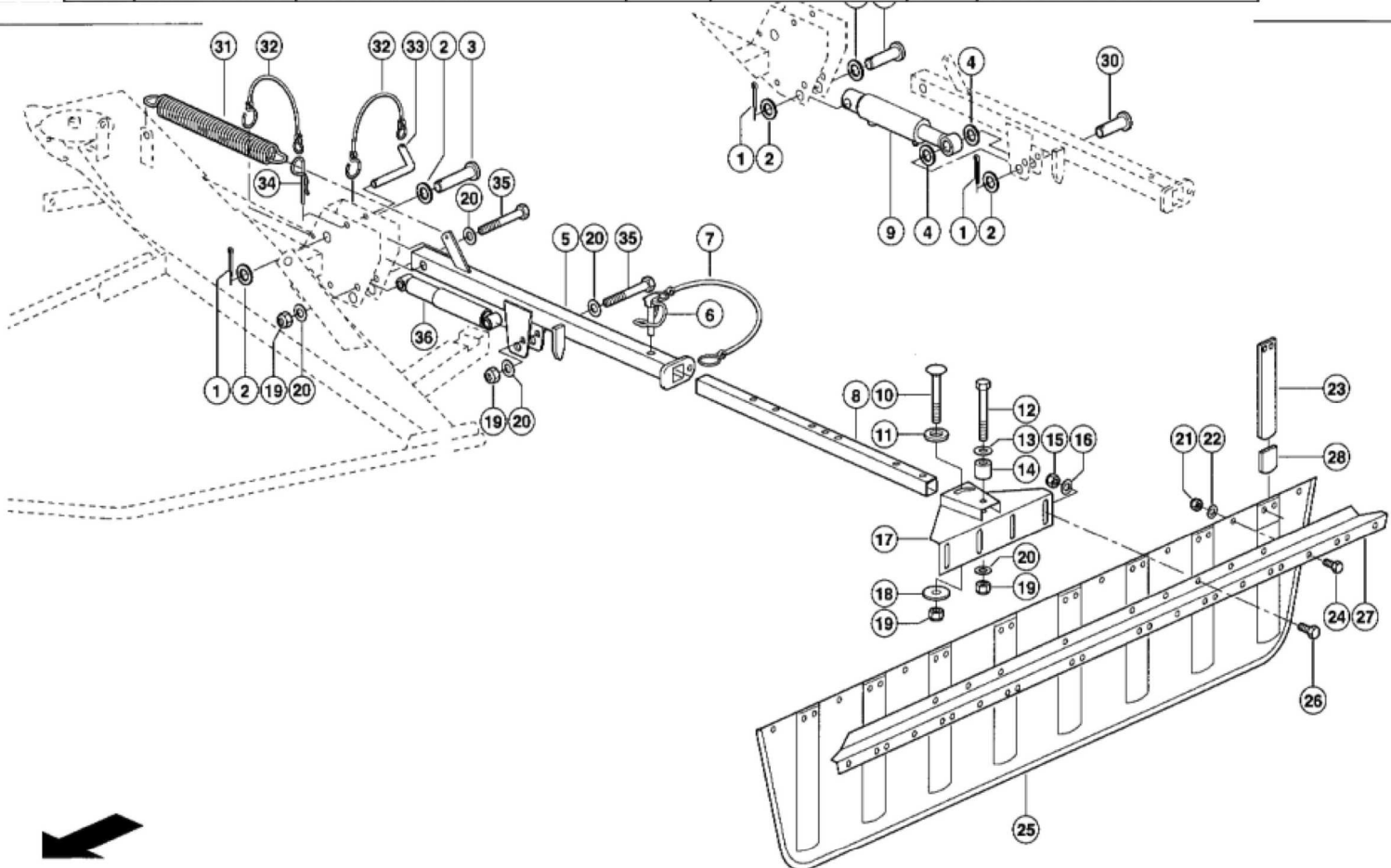
LINER 1550 TWIN Profil

Pos.	Part-No.	Description	DIN	Dimension	Qty.	Remark
1	000 956 576 3	Plate			1	
2	000 239 389 0	Contact washer		A12	5	
3	000 237 461 0	Hexagonal screw	Iso4017	M12x30	4	
4	000 956 511 2	Guard plate		2 X 291x 448	1	to 398 0 3343
5	000 919 446 0	Safety cord		m S-Haken U Sch	1	
6	000 955 389 2	Tube cover plug		15x66	1	
7	000 235 560 0	Hexagonal screw	Iso4014	M12x80	1	
8	000 234 283 0	Washer		13 X 26 X2	1	
9	000 956 710 0	Spacer piece			1	from 398 0 2250
9	000 909 031 0	Spacer piece			1	to 398 0 2188
10	000 956 579 1	Sliding tube		40x 40x 4x 330	1	
11	000 236 200 0	Hexagonal screw	Iso4017	M08x20	4	
12	000 239 387 0	Contact washer		A 8	4	
13	000 238 132 0	Securing nut	Iso7042	M08	4	
15	000 211 020 0	Flat head bolt	Din603	M12x 70	1	
16	000 238 060 0	Washer		21 X 35 X4	1	
17	000 956 575 1	Angle			1	
18	000 233 575 0	Washer		13 X 40 X3	1	
19	000 238 234 0	Securing nut	Iso7042	M12	6	
20	000 237 465 0	Hexagonal screw	Iso4017	M06x16	25	
21	000 955 245 2	Angle		4x 97x2490	1	
22	000 919 118 2	Flat spring		40x1,5 X 400	8	
23	000 236 180 0	Washer	D9021	6,4	25	
24	000 237 983 0	Securing nut	Iso7042	m 6	25	
25	000 955 244 0	Swath curtain		1,1 X 580x2536	1	
26	000 214 365 0	Flat guard cap		40x1,5x 35lg.	8	



Characteristic: **RETRACTING RUBBER - REAR**  
 Illustration: **120**

Pos.	Part-No.	Description	DIN	Dimension	Qty.	Remark
1	000 235 097 0	Split pin	I1234	5 X 36	3	
2	000 234 341 0	Washer		21 X 34 X3 A3c	5	
3	000 967 540 0	Pin		B20h11x118x105	1	
4	000 238 060 0	Washer		21 X 35 X4	8	to 398 0 3890
4	000 234 295 0	Washer		21 X 34 X2	N.B	to 398 0 3890
5	000 956 535 6	Tube			1	
6	000 955 389 2	Tube cover plug		15x66	1	
7	000 919 446 0	Safety cord		m S-Haken U Sch	1	
8	000 956 562 1	Sliding tube		40x40x4 X1080	1	
9	000 962 554 1	Hydr. cylinder		D 25/130	1	single parts plate 112 to 398 0 3890
10	000 211 020 0	Flat head bolt	Din603	M12x 70	1	
11	000 238 060 0	Washer		21 X 35 X4	1	
12	000 235 560 0	Hexagonal screw	Iso4014	M12x80	1	
13	000 234 283 0	Washer		13 X 26 X2	1	
14	000 956 710 0	Spacer piece			1	from 398 0 2250
14	000 909 031 0	Spacer piece			1	to 398 0 2188
15	000 238 132 0	Securing nut	Iso7042	M08	4	
16	000 239 387 0	Contact washer		A 8	4	
17	000 956 575 1	Angle			1	
18	000 233 575 0	Washer		13 X 40 X3	1	
19	000 238 234 0	Securing nut	Iso7042	M12	4	
20	000 239 389 0	Contact washer		A12	5	
21	000 237 983 0	Securing nut	Iso7042	m 6	25	
22	000 236 180 0	Washer	D9021	6,4	25	
23	000 919 118 2	Flat spring		40x1,5 X 400	8	
24	000 237 465 0	Hexagonal screw	Iso4017	M06x16	25	
25	000 955 244 0	Swath curtain		1,1 X 580x2536	1	
26	000 236 200 0	Hexagonal screw	Iso4017	M08x20	4	
27	000 955 245 2	Angle		4x 97x2490	1	
28	000 214 365 0	Flat guard cap		40x1,5x 35lg.	8	
29	000 233 994 0	Pin	I2341	B20h11x 85x78	1	to 398 0 3890
30	000 233 993 0	Pin	Iso2341	B-20x 75x68	1	to 398 0 3890
31	000 970 257 0	Tension spring		6,0 X 39,0x438	1	from 398 0 3891
32	000 931 436 0	Safety cord		mit S-Haken	2	from 398 0 3891
33	000 943 612 1	Plug		D12h9x 161	1	from 398 0 3891
34	000 673 749 0	Spring clip		4,5x 75	1	from 398 0 3891
35	000 237 820 0	Hexagonal screw	Iso4014	M12x90	2	from 398 0 3891
36	000 950 555 0	Shock absorber			1	from 398 0 3891

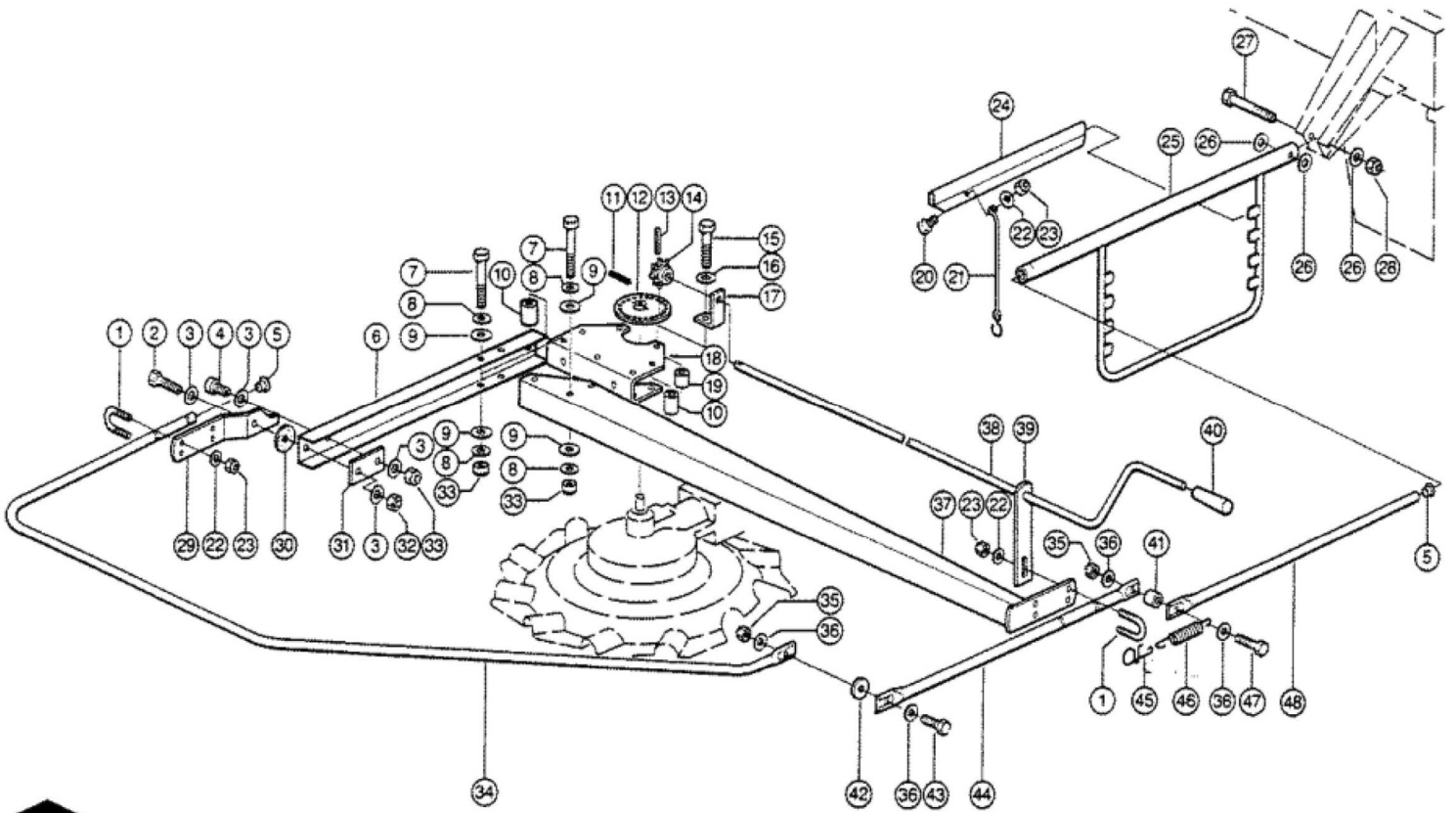




Characteristic: **GUARD - R.H. LINER 1550 TWIN**

Illustration: **121**

Pos.	Part-No.	Description	DIN	Dimension	Qty.	Remark
1	000 953 957 0	Clamp bracket		m 8x 22	4	
2	000 237 573 0	Hexagonal screw	Iso4017	M12x50	1	
3	000 234 283 0	Washer		13 X 26 X2	4	
4	000 237 761 1	Socket head screw	Iso4762	M12x 30	1	
5	000 706 130 0	Plug		D23,6-F	1	
6	000 956 557 1	Support		3x 132x 990	1	
7	000 235 561 0	Hexagonal screw	Iso4014	M12x85	5	
8	000 239 389 0	Contact washer		A12	5	
9	000 233 575 0	Washer		13 X 40 X3	5	
10	000 909 031 0	Spacer piece			3	
11	000 235 680 3	Tensioning pin	Iso8752	28 X 40	1	
12	000 955 775 0	Washer			1	
13	000 236 901 2	Tensioning pin	Iso8752	28x 36-N	1	
14	000 955 726 0	Spur gear		D 68	1	
15	000 235 588 0	Hexagonal screw	Iso4014	M16x60	2	
16	000 239 391 0	Contact washer		A16	1	
17	000 955 800 1	Strip		35x 5x 147,5	1	
18	000 954 238 0	Bracket		4x 300x 330	1	
19	000 943 717 0	Bushing			2	
20	000 237 439 0	Hexagonal screw	Iso4017	M08x16	1	
21	000 931 436 0	Safety cord		mit S-Haken	1	
22	000 236 912 2	Washer	Iso7089	8,0	8	
23	000 238 132 0	Securing nut	Iso7042	M08	8	
24	000 956 454 1	Clamp strip		2,5x 550	4	
25	000 956 446 0	Guard rail			1	
26	000 238 205 0	Washer		16,5x 33 X2	4	
27	000 237 841 0	Hexagonal screw	Iso4014	M16x80-Cp	1	
28	000 238 047 0	Securing nut	Iso7042	M16	1	
29	000 954 467 0	Strip		60x 8x 335	1	
30	000 954 281 0	Washer		D 16,2x 45x 3	1	
31	000 954 465 0	Strip		100x54x6	1	
32	000 236 172 0	Hexagonal nut	Iso4032	M12	2	
33	000 238 234 0	Securing nut	Iso7042	M12	3	
34	000 956 125 0	Guard rail		26,9x 2 X3038	1	
35	000 237 947 0	Securing nut	Iso7042	M10	2	
36	000 234 280 0	Washer		11 X 17 X2	4	
37	000 956 121 0	Support			1	
38	000 955 533 0	Crank rod		D17,2x2,35x2105	1	
39	000 954 241 0	Strip		40x 5x 215	1	
40	000 212 578 0	Handle		D 16x100 Wega	1	
41	000 956 148 0	Bushing		15x 2 X 19	1	
42	000 234 376 0	Washer		11 X 26 X6	1	
43	000 237 874 0	Hexagonal screw	Iso4017	M10x35	1	
44	000 956 124 0	Tube		26,9x 2 X 995	1	
45	000 900 881 0	Spring hook		D 3,2x 42	1	
46	000 923 066 0	Tension spring		2,1 X 17,9x 66	1	
47	000 235 533 0	Hexagonal screw	Iso4014	M10x45	1	
48	000 956 128 0	Tube		26,9x 2 X 995	1	



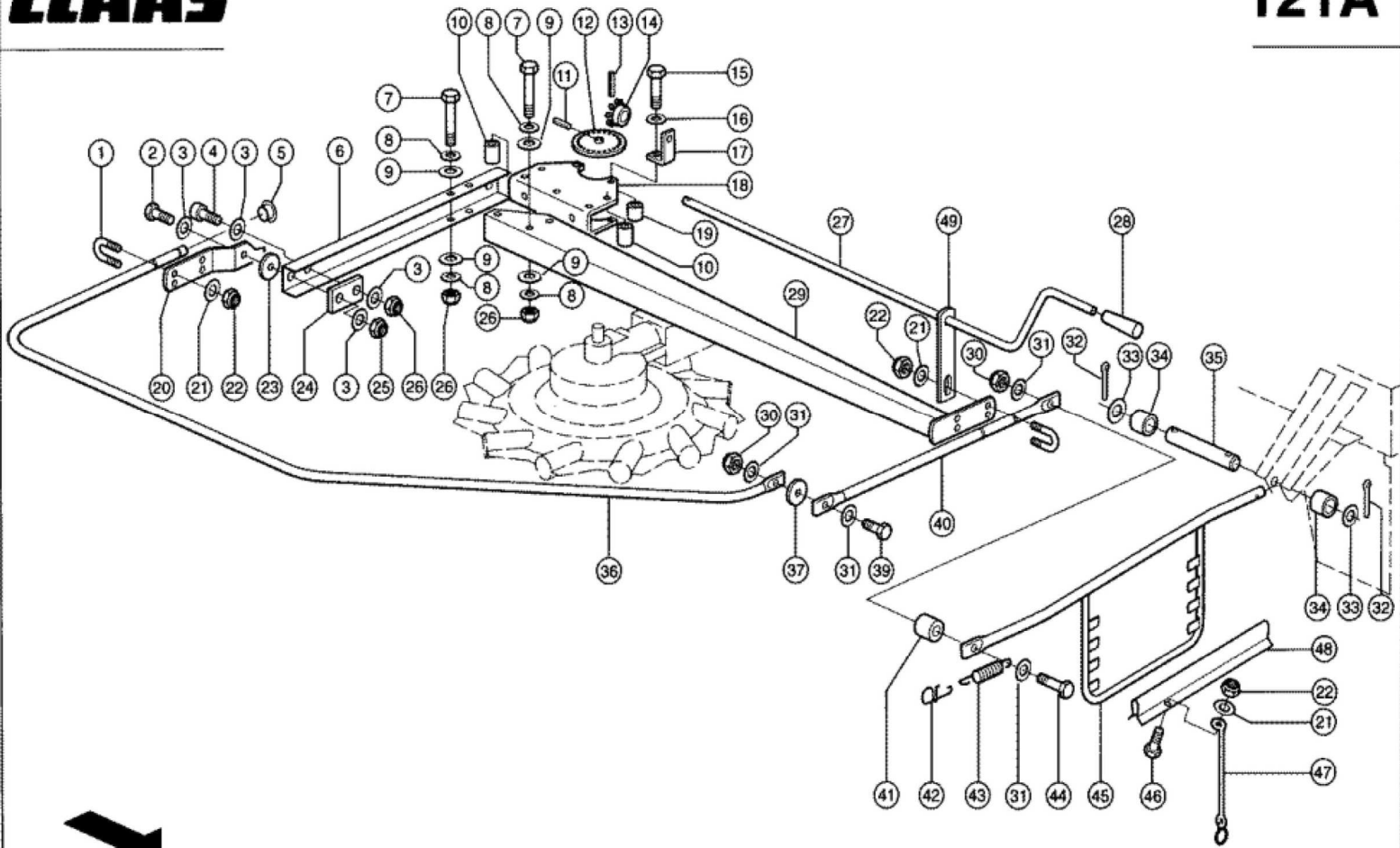
Characteristic: **GUARD - R.H. LINER 1550 TWIN**

Illustration: **121A**

Pos.	Part-No.	Description	DIN	Dimension	Qty.	Remark
1	000 953 957 0	Clamp bracket		m 8x 22	4	
2	000 237 573 0	Hexagonal screw	Iso4017	M12x50	1	
3	000 234 283 0	Washer		13 X 26 X2	4	
4	000 237 761 1	Socket head screw	Iso4762	M12x 30	1	
5	000 215 827 0	Lamella plug		D23-25 Gpn320	1	
6	000 956 557 1	Support		3x 132x 990	1	
7	000 235 561 0	Hexagonal screw	Iso4014	M12x85	5	
8	000 239 389 0	Contact washer		A12	5	
9	000 233 575 0	Washer		13 X 40 X3	5	
10	000 956 710 0	Spacer piece			3	from 398 0 2250
10	000 909 031 0	Spacer piece			3	to 398 0 2189
11	000 235 680 3	Tensioning pin	Iso8752	28 X 40	1	
12	000 955 775 0	Washer			1	
13	000 236 901 2	Tensioning pin	Iso8752	28x 36-N	1	
14	000 955 726 0	Spur gear		D 68	1	
15	000 235 588 0	Hexagonal screw	Iso4014	M16x60	2	
16	000 239 391 0	Contact washer		A16	2	
17	000 955 800 1	Strip		35x 5x 147,5	1	
18	000 954 238 0	Bracket		4x 300x 330	1	
19	000 956 731 0	Bushing			2	from 398 0 2250
19	000 943 717 0	Bushing			2	to 398 0 2189
20	000 954 467 0	Strip		60x 8x 335	1	
21	000 236 912 2	Washer	Iso7089	98,0	10	
22	000 238 132 0	Securing nut	Iso7042	M08	10	
23	000 954 281 0	Washer		D 16,2x 45x 3	1	
24	000 954 465 0	Strip		100x54x6	4	
25	000 236 172 0	Hexagonal nut	Iso4032	M12	2	
26	000 238 234 0	Securing nut	Iso7042	M12	3	
27	000 955 533 0	Crank rod		D17,2x2,35x2105	1	
28	000 212 578 0	Handle		D 16x100 Wega	1	
29	000 956 121 0	Support			1	
30	000 237 947 0	Securing nut	Iso7042	M10	2	
31	000 234 280 0	Washer		11 X 17 X2	4	
32	000 235 091 0	Split pin	11234	4 X 36	2	
33	000 238 205 0	Washer		16,5x 33 X2	4	
34	000 983 048 0	Bushing		D25x4 X 24	2	
35	000 238 241 0	Pin	E22340	B16h11x115x104	1	
36	000 956 125 0	Guard rail		26,9x 2 X3038	1	
37	000 234 376 0	Washer		11 X 26 X6	1	
39	000 237 874 0	Hexagonal screw	Iso4017	M10x35	1	
40	000 956 124 0	Tube		26,9x 2 X 995	1	
41	000 956 148 0	Bushing		15x 2 X 19	1	
42	000 900 881 0	Spring hook		D 3,2x 42	1	
43	000 923 066 0	Tension spring		2,1 X 17,9x 66	1	
44	000 235 533 0	Hexagonal screw	Iso4014	M10x45	1	
45	000 956 852 0	Guard rail			1	
46	000 237 439 0	Hexagonal screw	Iso4017	M08x16	2	
47	000 931 436 0	Safety cord		mit S-Haken	2	
48	000 956 454 1	Clamp strip		2,5x 550	4	
49	000 954 241 0	Strip		40x 5x 215	1	

**CLAAS**

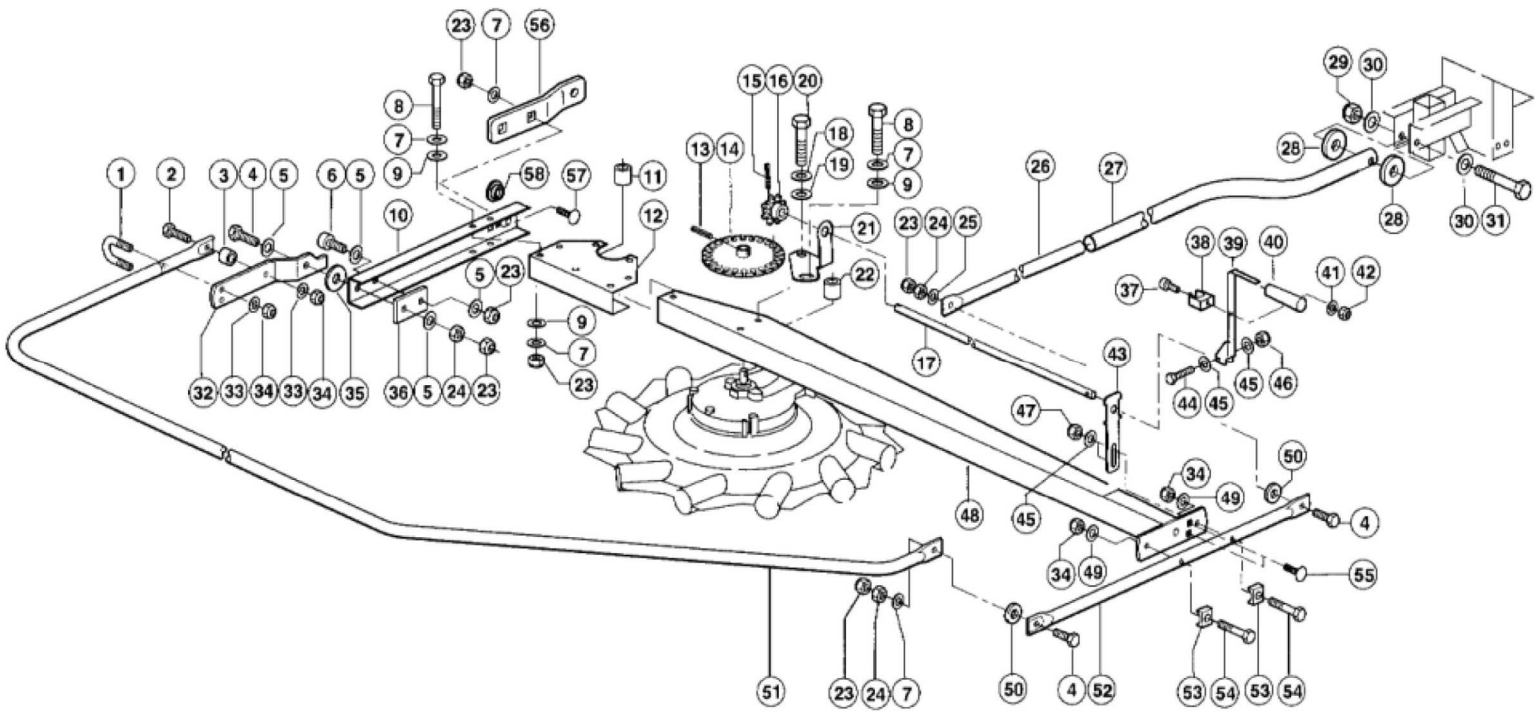
**121A**



Characteristic: **GUARD - R. H. LINER 1550 TWIN PROFIL**

Illustration: **121B**

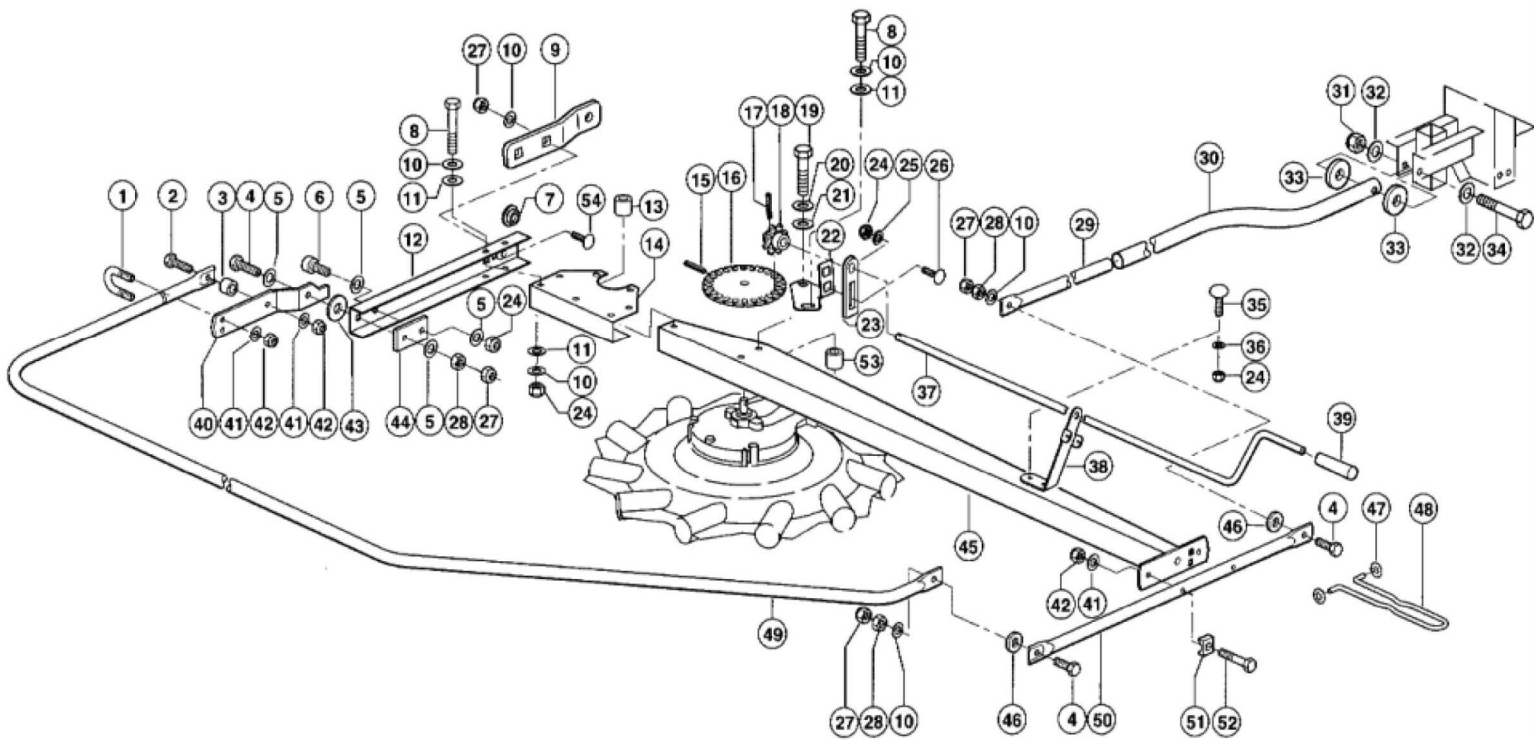
Pos.	Part-No.	Description	DIN	Dimension	Qty.	Remark
1	000 000 951 1	Clamp bracket		m 10x 29	1	
2	000 235 533 0	Hexagonal screw	Iso4014	M10x45	1	
3	000 914 976 0	Bushing			1	
4	000 237 573 0	Hexagonal screw	Iso4017	M12x50	3	
5	000 234 283 0	Washer		13 X 26 X2	4	
6	000 237 761 1	Socket head screw	Iso4762	M12x 30	1	
7	000 239 389 0	Contact washer		A12	11	
8	000 235 561 0	Hexagonal screw	Iso4014	M12x85	5	
9	000 233 575 0	Washer		13 X 40 X3	7	
10	000 956 557 2	Support		3x133x 995	1	
11	000 956 731 0	Bushing			2	
12	000 954 238 1	Bracket		4x 300x 330	1	
13	000 235 680 3	Tensioning pin	Iso8752	28 X 40	1	
14	000 958 982 0	Washer			1	
15	000 236 901 2	Tensioning pin	Iso8752	28x 36-N	1	
16	000 975 354 0	Spur gear		D 68	1	
17	000 975 265 0	Crank rod		D3/4"x1810	1	
18	000 239 391 0	Contact washer		A16	2	
19	000 236 951 0	Washer		16,5x 33 X3	2	
20	000 215 613 0	Hexagonal screw	Iso4014	M16x70	1	
21	000 975 366 1	Support r.h.		5x119x 179	1	
22	000 956 710 0	Spacer piece			2	
23	000 238 234 0	Securing nut	Iso7042	M12	8	
24	000 236 172 0	Hexagonal nut	Iso4032	M12	2	
25	000 234 280 0	Washer		11 X 17 X2	2	
26	000 958 097 2	Tube		30x 4x 862	1	
27	000 924 544 1	Tube		Ro42.4x4.05x131	1	from 398 0 3891
27	000 975 202 1	Tube		Ro42.4x4.05x123	1	to 398 0 3890
28	000 233 488 0	Washer		17 X 45 X8	2	
29	000 238 047 0	Securing nut	Iso7042	M16	1	
30	000 238 205 0	Washer		16,5x 33 X2	2	
31	000 242 394 0	Hexagonal screw	Iso4014	M16x100	1	
32	000 958 185 1	Strip		8x 60x 385	1	
33	000 239 394 1	Contact washer		B10	4	
34	000 237 947 0	Securing nut	Iso7042	M10	8	
35	000 954 281 0	Washer		D 16,2x 45x 3	1	
36	000 954 465 0	Strip		100x54x6	1	
37	000 238 199 1	Socket head screw	Iso4762	m 6x 20	1	
38	000 975 355 1	Clamp			1	
39	000 975 267 3	Crank		4x104x 334	1	
40	000 212 578 0	Handle		D 16x100 Wega	1	
41	000 239 386 0	Contact washer		A 6	1	
42	000 237 983 0	Securing nut	Iso7042	m 6	1	
43	000 975 266 2	Support		5x 82x 163	1	
44	000 237 854 0	Hexagonal screw	Iso4014	m 8x55	1	
45	000 239 387 0	Contact washer		A 8	3	
46	000 236 170 0	Hexagonal nut	Iso4032	M8	1	
47	000 238 132 0	Securing nut	Iso7042	M08	3	
48	000 974 521 0	Support			1	
49	000 239 388 0	Contact washer		A10	2	
50	000 608 363 1	Isolating washer		30x3	2	
51	000 958 169 1	Guard rail		26,9x2,65x3083,	1	
52	000 974 519 0	Protective tube		Ro33.7x4.05x 92	1	
53	000 909 568 2	Tube undertake		D 13 / R21	2	
54	000 235 536 0	Hexagonal screw	Iso4014	M10x60	2	
55	000 233 503 0	Flat head bolt	Din603	m 8x 25	2	
56	000 494 012 0	Strip		8x 35x 179	1	
57	000 233 455 0	Flat head bolt	Din603	M12x 30	2	
58	000 909 945 1	Bushing		D32h9x 15	1	



Characteristic: **GUARD - R. H. LINER 1550 TWIN PROFIL**

Illustration: **121C**

Pos.	Part-No.	Description	DIN	Dimension	Qty.	Remark
1	000 000 951 1	Clamp bracket		m 10x 29	1	
2	000 235 533 0	Hexagonal screw	Iso4014	M10x45	1	
3	000 914 976 0	Bushing			1	
4	000 237 573 0	Hexagonal screw	Iso4017	M12x50	3	
5	000 234 283 0	Washer		13 X 26 X2	4	
6	000 237 761 1	Socket head screw	Iso4762	M12x 30	1	
7	000 909 945 1	Bushing		D32h9x 15	1	
8	000 235 561 0	Hexagonal screw	Iso4014	M12x85	5	
9	000 494 012 0	Strip		8x 35x 179	1	
10	000 239 389 0	Contact washer		A12	11	
11	000 233 575 0	Washer		13 X 40 X3	7	
12	000 956 557 2	Support		3x133x 995	1	
13	000 956 731 0	Bushing			2	
14	000 954 238 1	Bracket		4x 300x 330	1	
15	000 235 680 3	Tensioning pin	Iso8752	28 X 40	1	
16	000 958 982 0	Washer			1	
17	000 236 901 2	Tensioning pin	Iso8752	28x 36-N	1	
18	000 955 726 0	Spur gear		D 68	1	
19	000 215 613 0	Hexagonal screw	Iso4014	M16x70	1	
20	000 239 391 0	Contact washer		A16	2	
21	000 236 951 0	Washer		16,5x 33 X3	2	
22	000 494 099 0	Support		5x115x 142 - R	1	
23	000 494 155 0	Strip		6x 35x 91	1	
24	000 238 132 0	Securing nut	Iso7042	M08	3	
25	000 239 393 1	Contact washer		B 8	2	
26	000 235 366 0	Flat head bolt	Din603	m 8x 80	2	
27	000 238 234 0	Securing nut	Iso7042	M12	8	
28	000 236 172 0	Hexagonal nut	Iso4032	M12	2	
29	000 958 097 2	Tube		30x 4x 862	1	
30	000 924 544 1	Tube		Ro42.4x4.05x131	1	
31	000 238 047 0	Securing nut	Iso7042	M16	1	
32	000 238 205 0	Washer		16,5x 33 X2	2	
33	000 233 488 0	Washer		17 X 45 X8	2	
34	000 242 394 0	Hexagonal screw	Iso4014	M16x100	1	
35	000 233 503 0	Flat head bolt	Din603	m 8x 25	4	
36	000 239 387 0	Contact washer		A 8	3	
37	000 494 068 0	Crank		D17,2x2,35x1736	1	
38	000 494 098 0	Support		5x184x 314 - R	1	
39	000 212 578 0	Handle		D 16x100 Wega	1	
40	000 958 185 1	Strip		8x 60x 385	1	
41	000 239 394 1	Contact washer		B10	4	
42	000 237 947 0	Securing nut	Iso7042	M10	8	
43	000 954 281 0	Washer		D 16,2x 45x 3	1	
44	000 954 465 0	Strip		100x54x6	1	
45	000 974 521 0	Support			1	
46	000 608 363 1	Isolating washer		30x3	2	
47	000 785 019 0	Starlock washer		6	2	
48	000 959 081 0	Bracket			1	
49	000 958 169 1	Guard rail		26,9x2,65x3083,	1	
50	000 974 519 0	Protective tube		Ro33.7x4.05x 92	1	
51	000 909 568 2	Tube undertake		D 13 / R21	2	
52	000 235 536 0	Hexagonal screw	Iso4014	M10x60	2	
53	000 956 710 0	Spacer piece			2	
54	000 233 455 0	Flat head bolt	Din603	M12x 30	2	



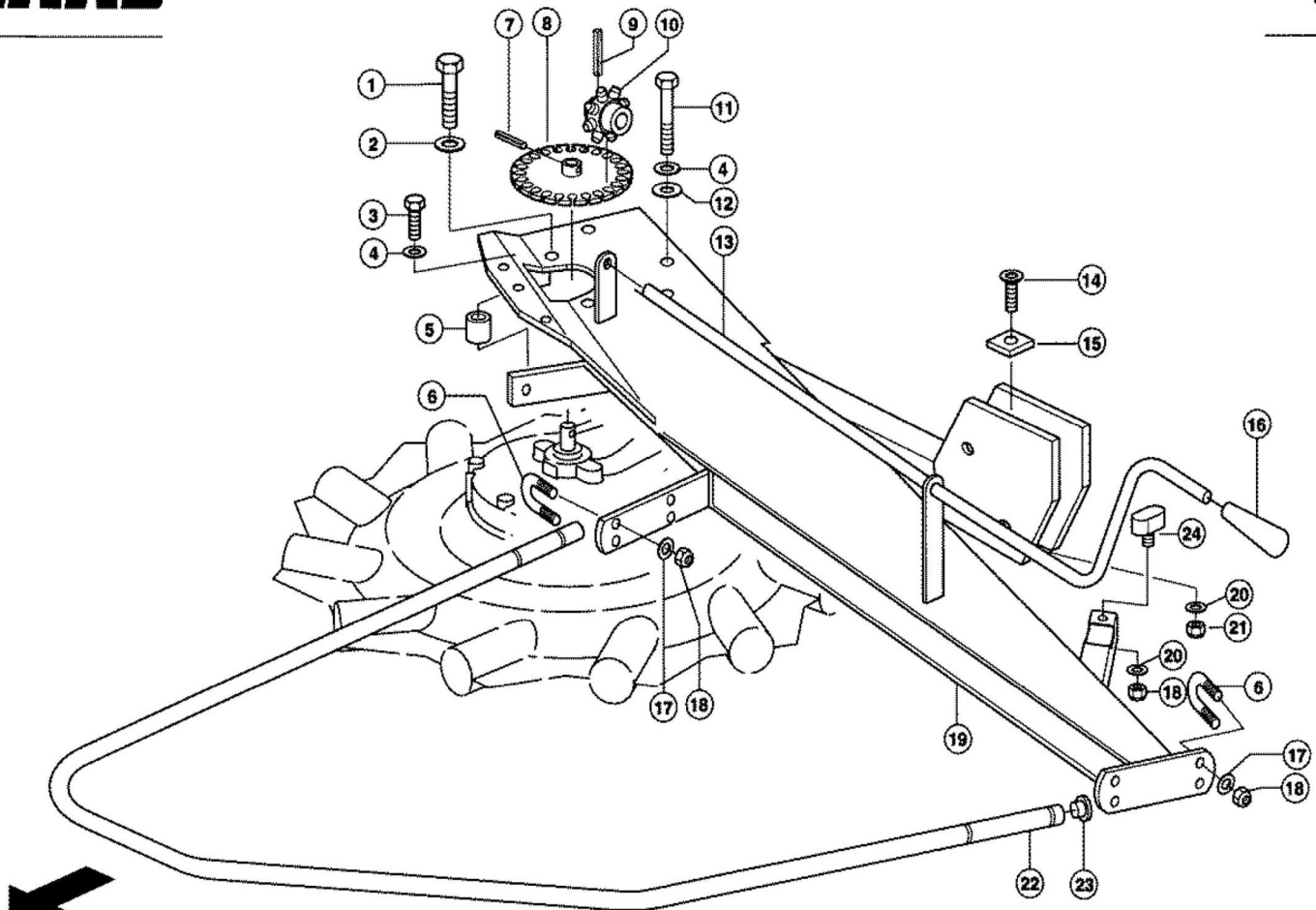


Characteristic: **GUARD - REAR LINER 1550 TWIN**  
 Illustration: **122**

Pos.	Part-No.	Description	DIN	Dimension	Qty.	Remark
1	000 235 588 0	Hexagonal screw	Iso4014	M16x60	2	
2	000 239 391 0	Contact washer		A16	2	
3	000 237 458 0	Hexagonal screw	Iso4017	M12x20	2	
4	000 239 389 0	Contact washer		A12	5	
5	000 956 731 0	Bushing			2	from 398 0 2250
5	000 943 717 0	Bushing			2	to 398 0 2189
6	000 953 957 0	Clamp bracket		m 8x 22	4	
7	000 235 680 3	Tensioning pin	Iso8752	28 X 40	1	
8	000 955 775 0	Washer			1	
9	000 236 901 2	Tensioning pin	Iso8752	28x 36-N	1	
10	000 955 726 0	Spur gear		D 68	1	
11	000 235 560 0	Hexagonal screw	Iso4014	M12x80	3	
12	000 211 394 0	Washer		13 X 35 X5	3	
13	000 955 261 1	Crank rod		17,2x2,35x1485	1	
14	000 236 330 0	Countersunk bolt	Iso10642	8x 25	1	to 398 0 2985
15	000 980 190 0	Glide plate		8x 35 X 35	1	to 398 0 2985
16	000 212 578 0	Handle		D 16x100 Wega	1	
17	000 236 912 2	Washer	Iso7089	8,0	8	
18	000 238 132 0	Securing nut	Iso7042	M08	9	
19	000 956 520 3	Support			1	
20	000 239 387 0	Contact washer		A 8	2	
21	000 236 170 0	Hexagonal nut	Iso4032	M8	1	
22	000 956 529 0	Guard rail		26,9x 2x 2770	1	
23	000 215 827 0	Lamella plug		D23-25 Gpn320	2	
24	000 911 716 1	Buffer bumper		M8 36x26 X19	1	from 398 0 2986

**CLAAS**

**122**



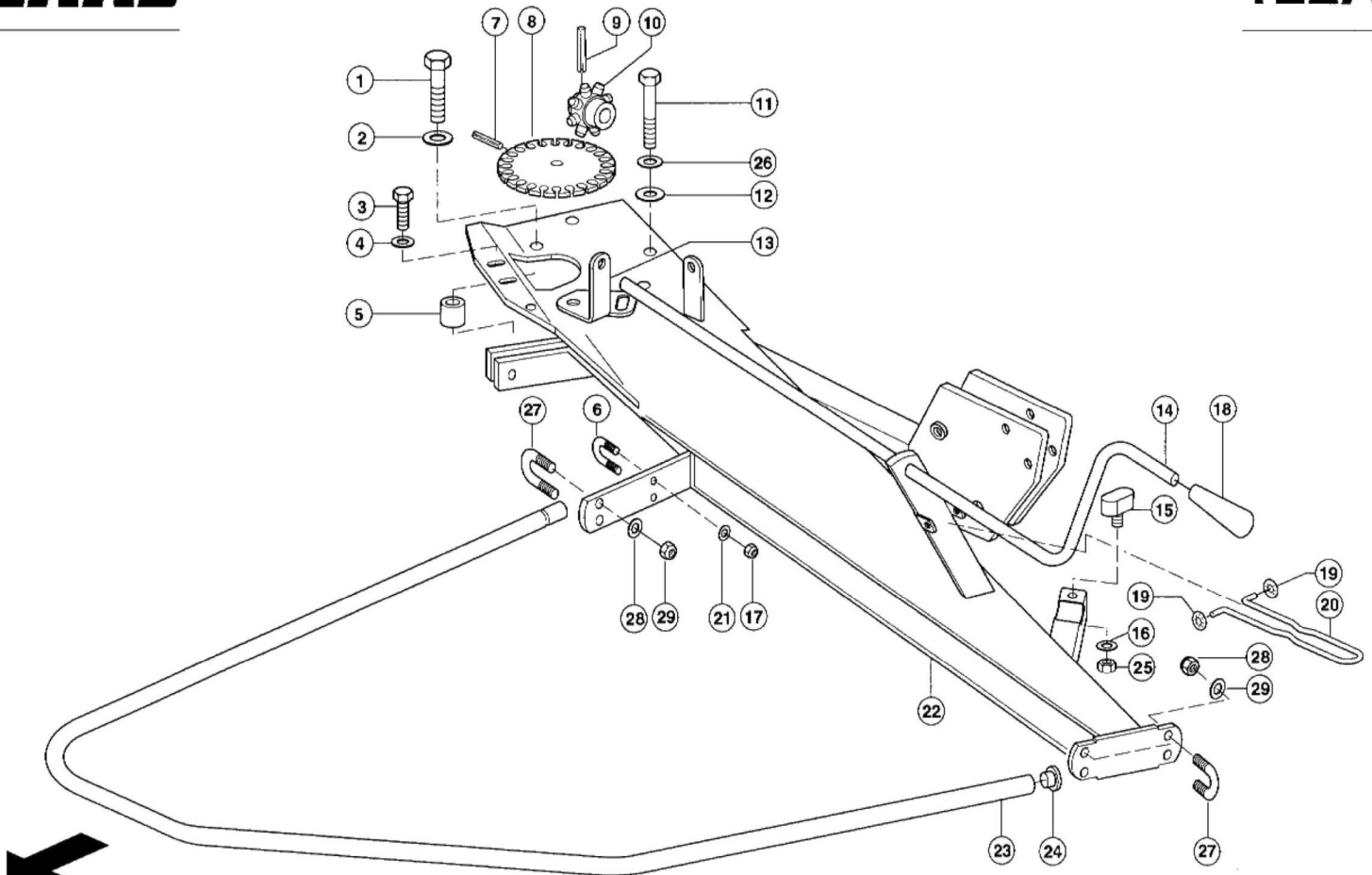
Characteristic: **GUARD - REAR LINER 1550 TWIN PROFIL**

Illustration: **122A**

Pos.	Part-No.	Description	DIN	Dimension	Qty.	Remark
1	000 235 588 0	Hexagonal screw	Iso4014	M16x60	2	
2	000 239 391 0	Contact washer		A16	2	
3	000 237 458 0	Hexagonal screw	Iso4017	M12x20	2	
4	000 239 395 1	Contact washer		B12	2	
5	000 956 731 0	Bushing			2	
6	000 953 957 0	Clamp bracket		m 8x 22	1	from 398 0 4284
7	000 235 680 3	Tensioning pin	Iso8752	28 X 40	1	
8	000 958 982 0	Washer			1	
9	000 236 901 2	Tensioning pin	Iso8752	28x 36-N	1	
10	000 955 726 0	Spur gear		D 68	1	
11	000 235 560 0	Hexagonal screw	Iso4014	M12x80	3	
12	000 211 394 0	Washer		13 X 35 X5	3	
13	000 958 978 2	Support l.h.		5x115x 184	1	
14	000 955 261 1	Crank rod		17,2x2,35x1485	1	
15	000 911 716 1	Buffer bumper		M8 36x26 X19	1	
16	000 239 387 0	Contact washer		A 8	1	
17	000 238 132 0	Securing nut	Iso7042	M08	8	from 398 0 4284
18	000 212 578 0	Handle		D 16x100 Wega	1	
19	000 785 019 0	Starlock washer		6	2	
20	000 959 081 0	Bracket			1	
21	000 236 912 2	Washer	Iso7089	8,0	8	from 398 0 4284
22	000 974 635 2	Support			1	
23	000 494 001 0	Guard		26,9x2,65x2807	1	from 398 0 4284
23	000 956 529 0	Guard rail		26,9x 2x 2770	1	to 398 0 4283
24	000 215 827 0	Lamella plug		D23-25 Gpn320	2	
25	000 236 170 0	Hexagonal nut	Iso4032	M8	1	
26	000 239 389 0	Contact washer		A12	5	
27	000 000 951 1	Clamp bracket		m 10x 29	3	from 398 0 4284
28	000 239 394 1	Contact washer		B10	6	from 398 0 4284
29	000 237 947 0	Securing nut	Iso7042	M10	6	from 398 0 4284

**CLAAS**

**122A**



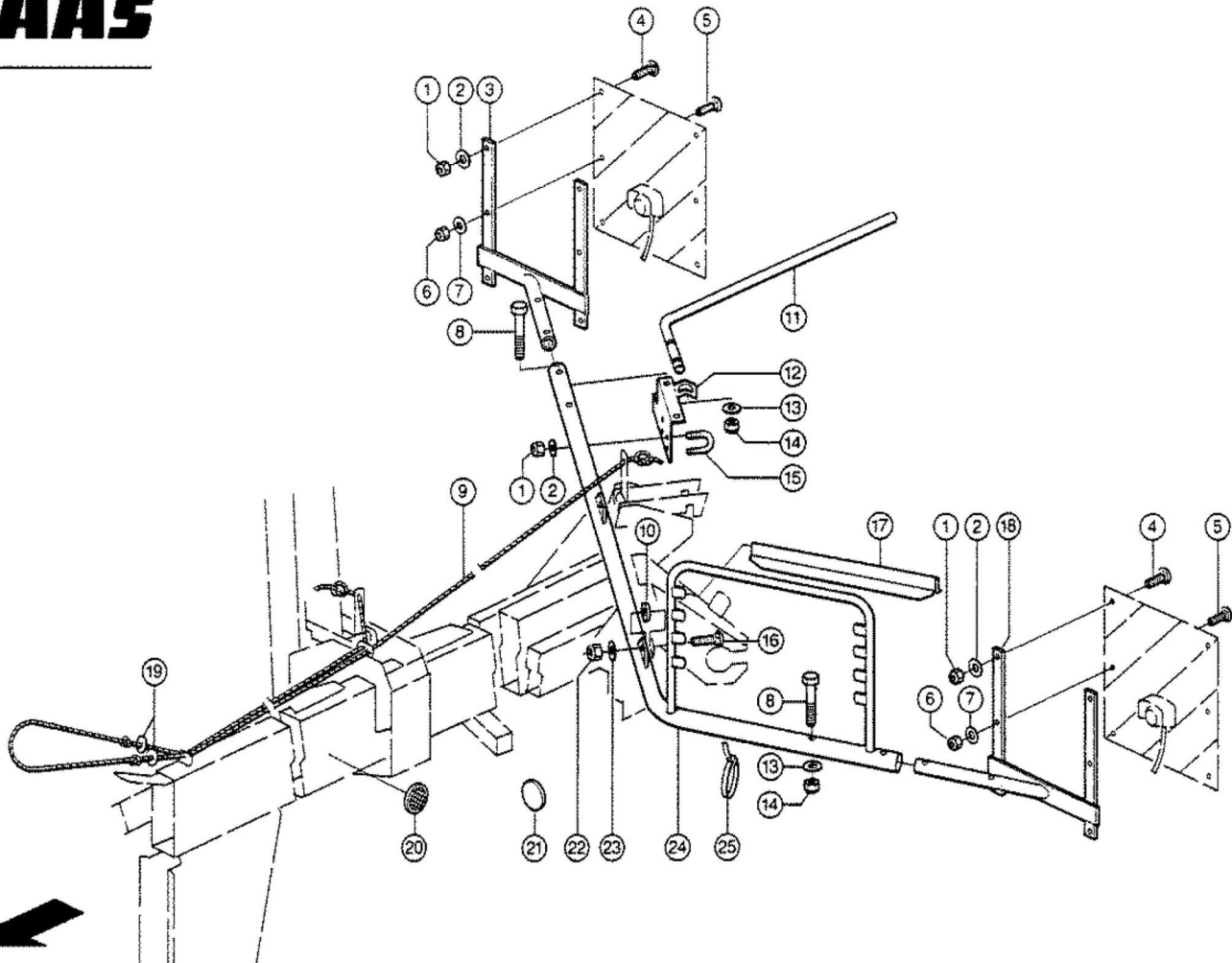
Characteristic: **SAFETY FRAME / WARN. BOARD BR. L1550 TW**

Illustration: **123**

Pos.	Part-No.	Description	DIN	Dimension	Qty.	Remark
1	000 238 132 0	Securing nut	Iso7042	M08	12	
2	000 239 387 0	Contact washer		A 8	12	
3	000 956 487 0	Warn.boardholder		Geschw	1	
4	000 610 098 1	Flat head bolt		m 8x 20	8	
5	000 636 792 1	Flat head bolt		m 6x 16	4	
6	000 237 983 0	Securing nut	Iso7042	m 6	4	
7	000 239 386 0	Contact washer		A 6	4	
8	000 235 556 0	Hexagonal screw	Iso4014	M12x60	4	
9	000 955 304 0	Tow rope		6x13000	1	
10	000 234 376 0	Washer		11 X 26 X6	2	
11	000 956 574 0	Protective tube		26,9x2 X1083	1	
12	000 956 573 0	Support		5x 142x 381	1	
13	000 239 389 0	Contact washer		A12	4	
14	000 238 234 0	Securing nut	Iso7042	M12	4	
15	000 953 957 0	Clamp bracket		m 8x 22	2	
16	000 244 247 0	Flat head bolt	Din603	M10x 35	2	
17	000 956 454 1	Clamp strip		2,5x 550	4	
18	000 956 491 0	Warn.boardholder		Geschw	1	
19	000 233 575 0	Washer		13 X 40 X3	2	
20	000 211 748 0	Rear reflector			4	yellow
21	000 212 230 0	Rear reflector			2	red
22	000 237 947 0	Securing nut	Iso7042	M10	2	
23	000 239 388 0	Contact washer		A10	2	
24	000 956 485 1	Protective tube			1	
25	000 237 871 0	Cable band		Min. 4,7x188	10	

**CLAAS**

**123**



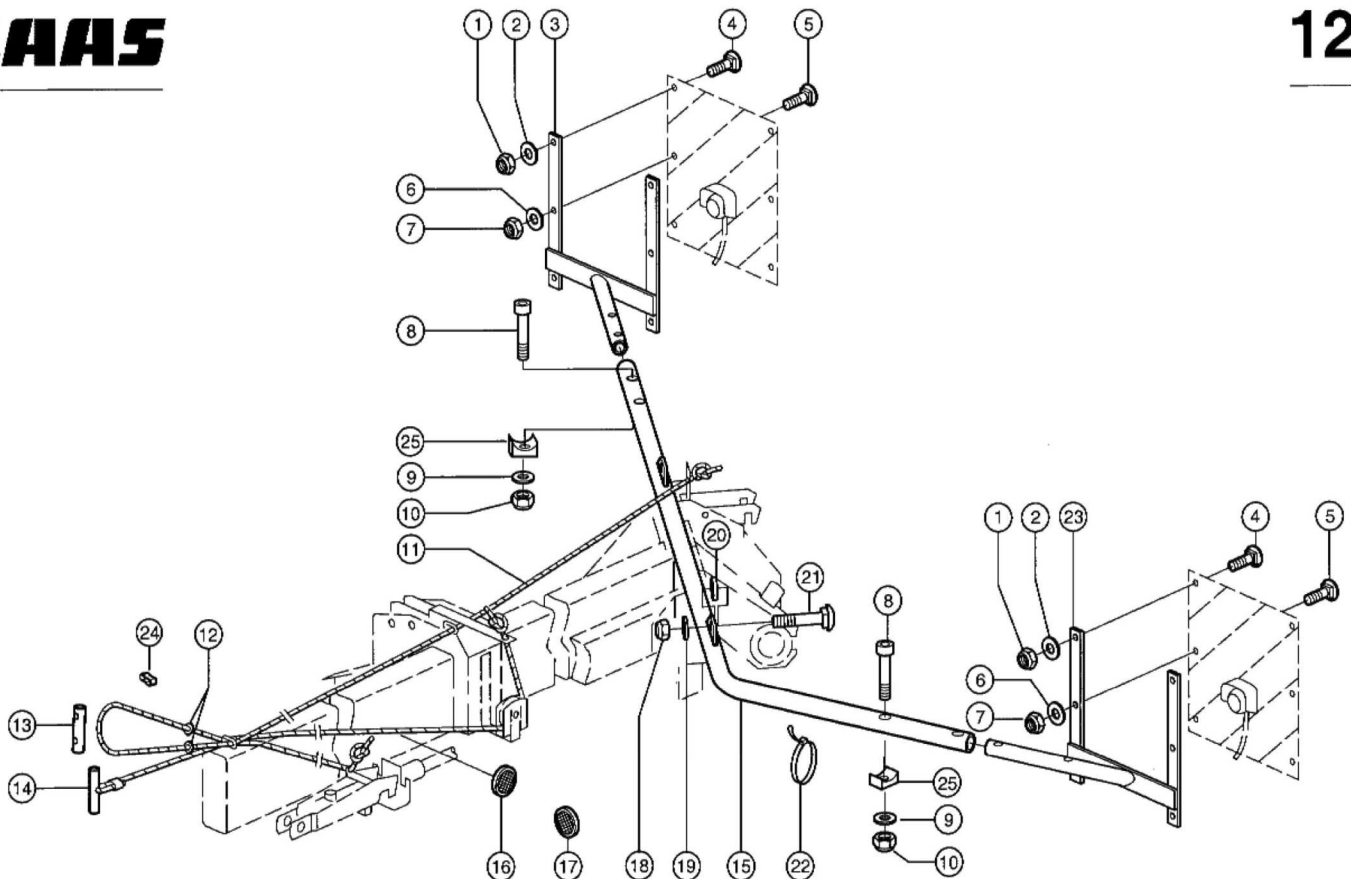
Characteristic: **SAFETY FRAME / WARNING BOARD BRACKET**

Illustration: **123A**

Pos.	Part-No.	Description	DIN	Dimension	Qty.	Remark
1	000 238 132 0	Securing nut	Iso7042	M08	8	
2	000 239 387 0	Contact washer		A 8	8	
3	000 956 487 0	Warn.boardholder		Geschw	1	
4	000 610 098 1	Flat head bolt		m 8x 20	8	
5	000 636 792 1	Flat head bolt		m 6x 16	4	
6	000 239 386 0	Contact washer		A 6	4	
7	000 237 983 0	Securing nut	Iso7042	m 6	4	
8	000 241 076 1	Socket head screw	Iso4762	M12x 65	4	from 398 0 3891
8	000 235 558 0	Hexagonal screw	Iso4014	M12x70	4	to 398 0 3890
9	000 239 389 0	Contact washer		A12	4	
10	000 238 234 0	Securing nut	Iso7042	M12	4	
11	000 975 438 0	Tow rope		6x15000	1	from 398 0 3344
11	000 955 304 0	Tow rope		6x13000	1	to 398 0 3343
12	000 233 575 0	Washer		13 X 40 X3	2	
13	000 956 854 0	Handle		25x 110	1	
14	000 953 782 1	Tow rope		6x4000 weiß	1	
15	000 975 423 1	Protective tube			1	from 398 0 3486
15	000 956 485 1	Protective tube			1	to 398 0 3485
16	000 211 748 0	Rear reflector			4	yellow
17	000 212 230 0	Rear reflector			2	red
18	000 237 947 0	Securing nut	Iso7042	M10	2	
19	000 239 388 0	Contact washer		A10	2	
20	000 234 376 0	Washer		11 X 26 X6	2	
21	000 244 247 0	Flat head bolt	Din603	M10x 35	2	
22	000 697 798 0	Cable band		Min. 7,6x282	10	
23	000 956 491 0	Warn.boardholder		Geschw	1	
24	000 702 076 0	2-ear-clamp		7- 9	2	
25	000 909 568 2	Tube undertake		D 13 / R21	4	

**CLAAS**

**123A**



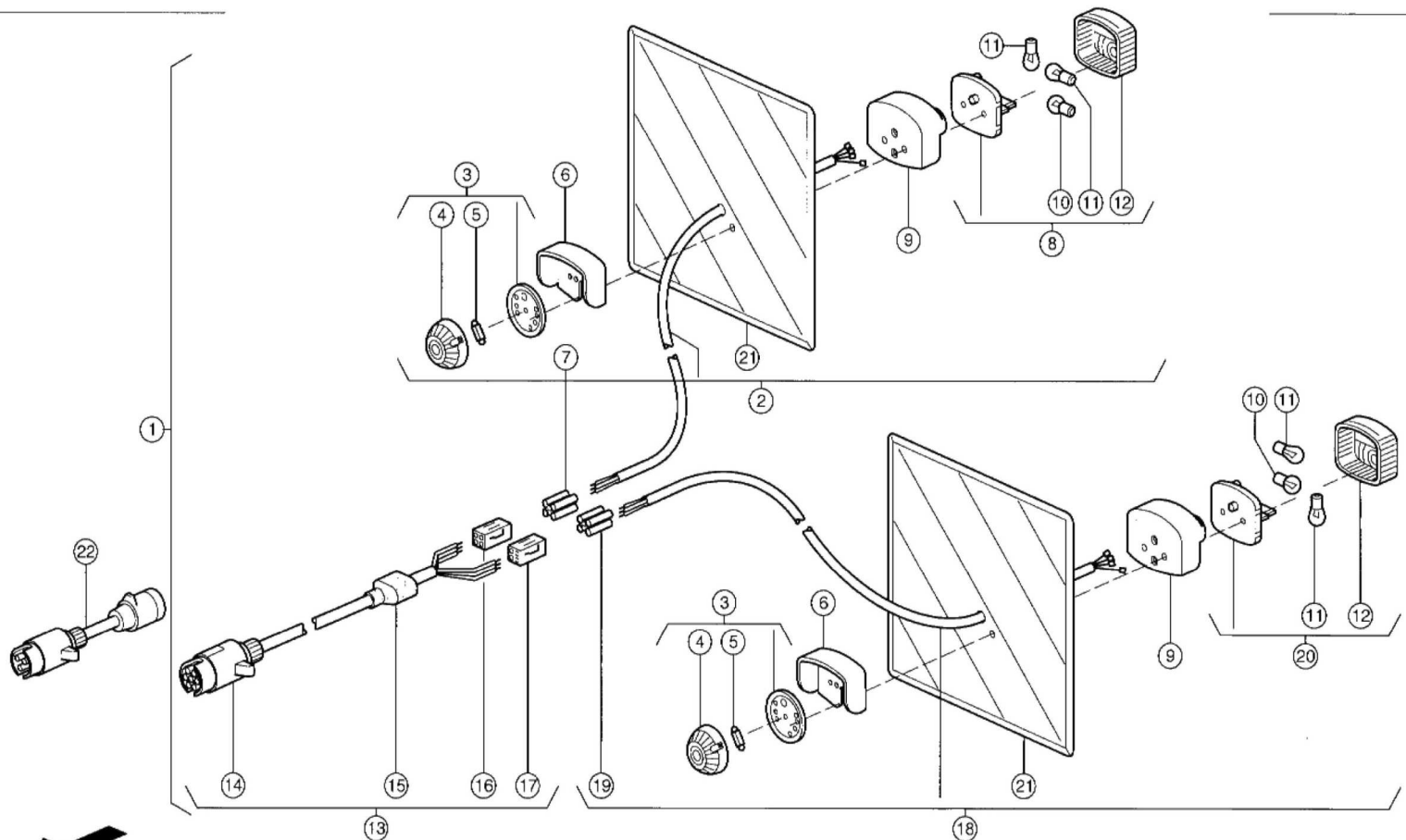
Characteristic: **LIGHTING / MARKER BOARD**

Illustration: **124**

Pos.	Part-No.	Description	DIN	Dimension	Qty.	Remark
1	000 955 234 0	Warn board sign			1	with item 2+20
2	000 940 658 0	Marker board			1	
3	000 940 663 0	Position light			2	
4	000 940 664 0	Lamp screen			2	
5	000 177 906 0	Lamp	D7260	L 12v 5w	2	
6	000 940 667 0	Protective hood			2	
7	000 940 666 0	Housing			1	
8	000 940 660 0	Tail light			1	
9	000 940 662 0	Protective hood			2	
10	000 244 982 0	Lamp	D7260	G 12v 10w	2	
11	000 233 546 0	Lamp	D7260	12v 21w Ba 15 S	4	
12	000 940 661 0	Lamp screen			2	
13	000 955 233 3	Wiring loom		Lg 7500 mm	1	
14	000 940 653 0	Plug			1	
15	000 940 654 0	Guard cap			1	
16	000 940 656 0	Pin housing			1	
17	000 940 655 0	Pin housing			1	
18	000 940 657 0	Marker board			1	
19	000 940 665 0	Housing			1	
20	000 940 659 0	Tail light			1	
21	000 954 647 0	Marker board			2	
22	000 494 174 0	Adapter		Na Iso1185/Iso1	1	

**CLAAS**

**124**



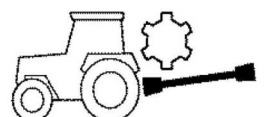
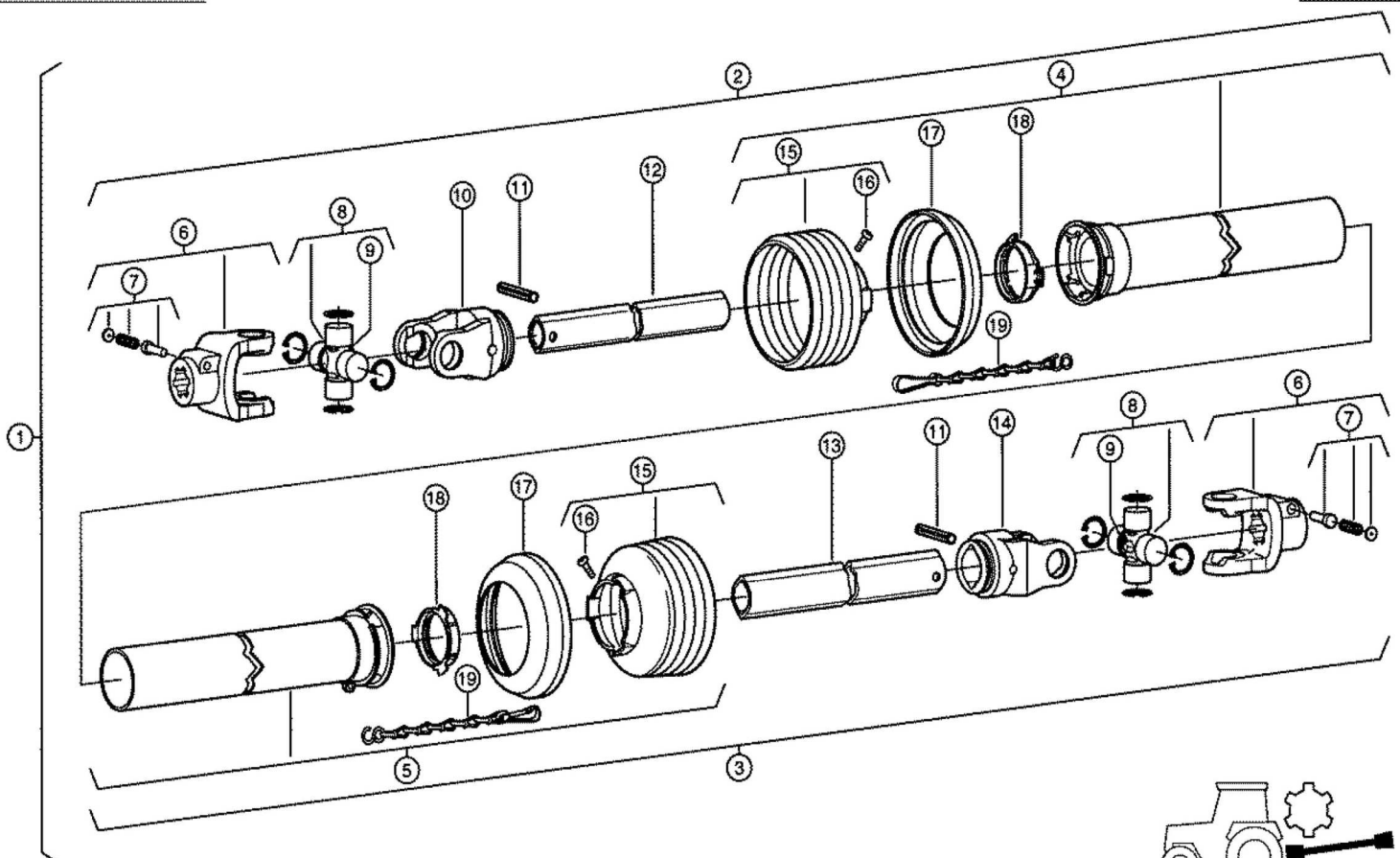
Characteristic: **UNIVERSAL DRIVE SHAFT**

Illustration: **125**

Pos.	Part-No.	Description	DIN	Dimension	Qty.	Remark
1	000 954 213 2	Drive shaft			1	M04 0010
2	000 954 255 2	Drive Shaft Half			1	
3	000 954 256 1	Drive Shaft Half			1	
4	000 940 463 0	Outer Guard Half			1	
5	000 940 464 0	Inner Guard Half			1	
6	000 972 466 0	Extension forke			2	1 3/8" (6)
7	000 941 062 0	Sliding pin set			2	
8	000 972 465 0	Centre cross ass.			2	
9	000 244 946 0	Grease nipple		B M8x1	2	
10	000 972 468 0	Tension pin forke			1	
11	000 244 579 0	Tensioning pin	Iso8752	210 X 65	2	
12	000 939 481 0	Profile tube		Ovh - 740	1	
13	000 941 997 0	Profile tube		1095 lang	1	
14	000 972 469 0	Tension pin forke			1	
15	000 650 252 0	Protect.funnel			2	
16	000 242 793 0	Cycl. Plate Screw	D7971	C4,2x 9,5	2	
17	000 917 283 0	Back-up ring			2	
18	000 920 944 0	Glide ring			2	
19	000 972 297 0	Supporting chain			2	

**CLAAS**

**125**



LINER 1550 TWIN/1550 TWIN PROFIL

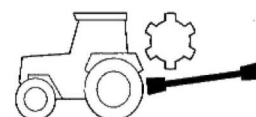
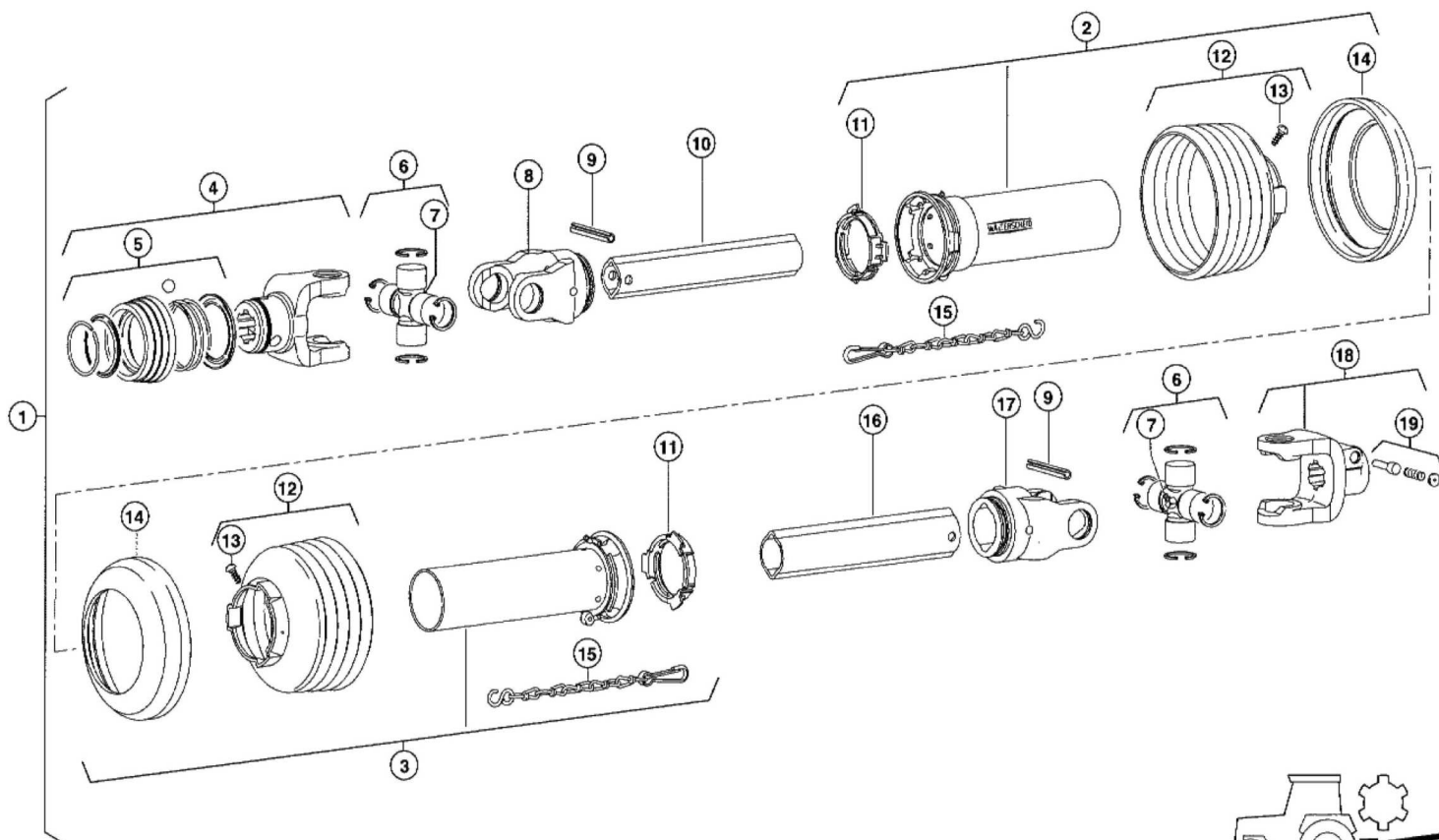
Characteristic: **UNIVERSAL DRIVE SHAFT**

Illustration: **125A**

Pos.	Part-No.	Description	DIN	Dimension	Qty.	Remark
1	000 954 213 3	Drive shaft			1	M04 0010
2	000 666 646 0	Protective tube			1	
3	000 666 643 0	Protective tube			1	
4	000 138 965 0	Extension forke			1	1 3/8" (6)
5	000 851 416 0	Disconnect lock			1	
6	000 972 465 0	Centre cross ass.			2	
7	000 244 946 0	Grease nipple		B M8x1	2	
8	000 933 663 0	Fork			1	
9	000 244 579 0	Tensioning pin	Iso8752	10 X 65	2	
10	000 138 356 0	Profile tube		L=1000/0vh-Inne	1	
11	000 920 944 0	Glide ring			2	
12	000 138 376 0	Protect.funnel			2	
13	000 242 793 0	Cycl. Plate Screw	D7971	C4,2x 9,5	2	
14	000 917 283 0	Back-up ring			2	
15	000 972 297 0	Supporting chain			2	
16	000 138 349 0	Profile tube			1	
17	000 972 469 0	Tension pin forke			1	
18	000 972 466 0	Extension forke			1	
19	000 941 062 0	Sliding pin set			1	

**CLAAS**

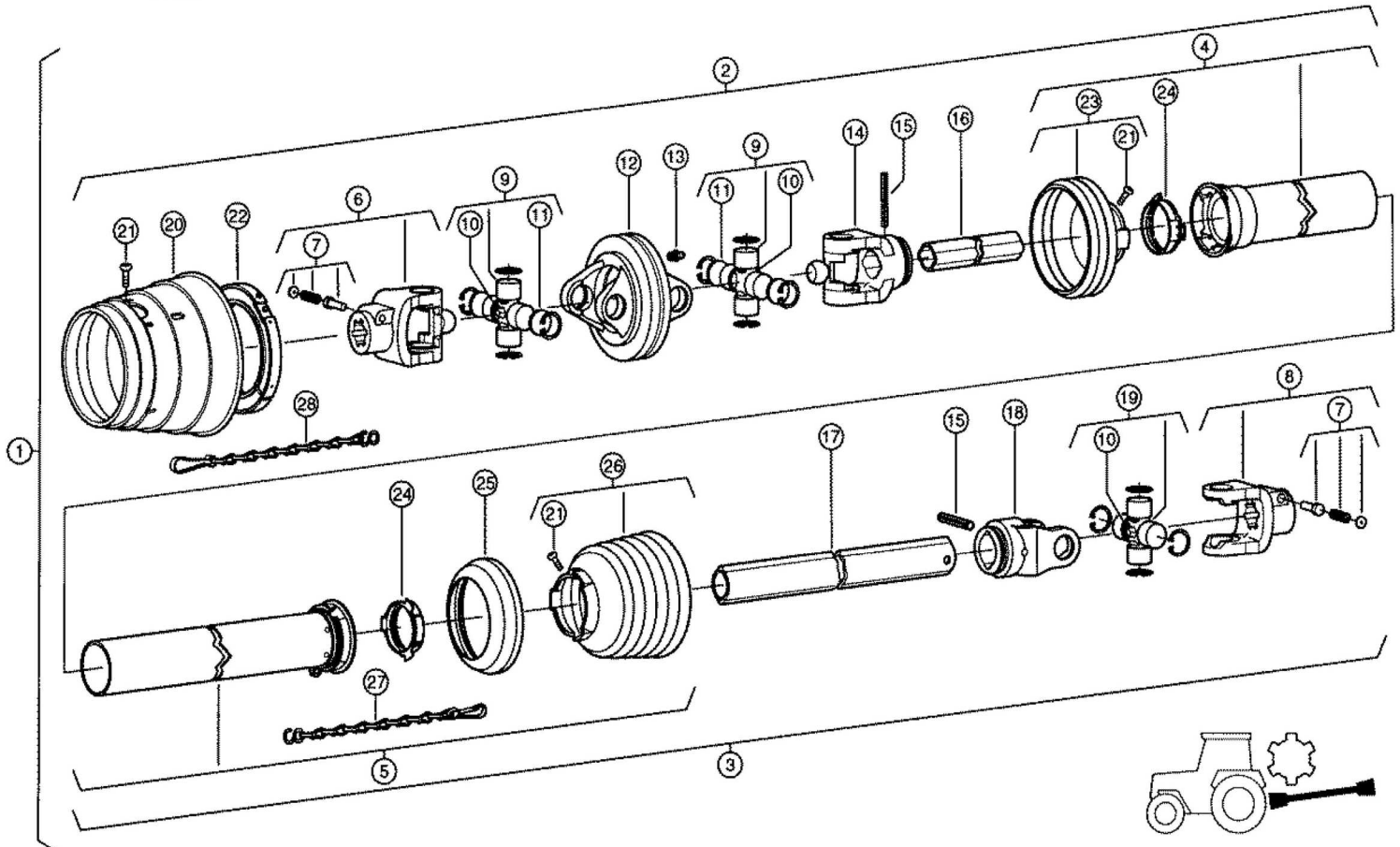
**125A**



Pos.	Part-No.	Description	DIN	Dimension	Qty.	Remark
1	000 954 214 1	Drive shaft			1	M04 0020
2	000 954 258 1	Drive Shaft Half			1	
3	000 954 259 1	Drive Shaft Half			1	
4	000 941 032 0	Outer Guard Half			1	
5	000 921 849 0	Inner Guard Half			1	
6	000 921 135 0	Extension forke			1	1 3/8" (6)
7	000 941 062 0	Sliding pin set			2	
8	000 972 466 0	Extension forke			1	
9	000 921 137 0	Centre cross ass.			2	
10	000 244 946 0	Grease nipple		B M8x1	3	
11	000 921 852 0	Washer			4	
12	000 921 853 0	Double fork			1	
13	000 244 946 0	Grease nipple		B M8x1	1	
14	000 921 854 0	Fork			1	
15	000 244 579 0	Tensioning pin	Iso8752	10 X 65	2	
16	000 920 625 0	Profile tube		645 lang	1	
17	000 920 626 0	Profile tube		630 lang	1	
18	000 972 469 0	Tension pin forke			1	
19	000 972 465 0	Centre cross ass.			1	
20	000 921 857 0	Protect.funnel			1	
21	000 242 793 0	Cycl. Plate Screw	D7971	C4,2x 9,5	8	
22	000 921 858 0	Glide ring			1	
23	000 921 859 0	Protect.funnel			1	
24	000 920 944 0	Glide ring			2	
25	000 917 283 0	Back-up ring			1	
26	000 650 252 0	Protect.funnel			1	
27	000 972 297 0	Supporting chain			1	
28	000 821 104 0	Supporting chain			1	

**CLAAS**

**126**





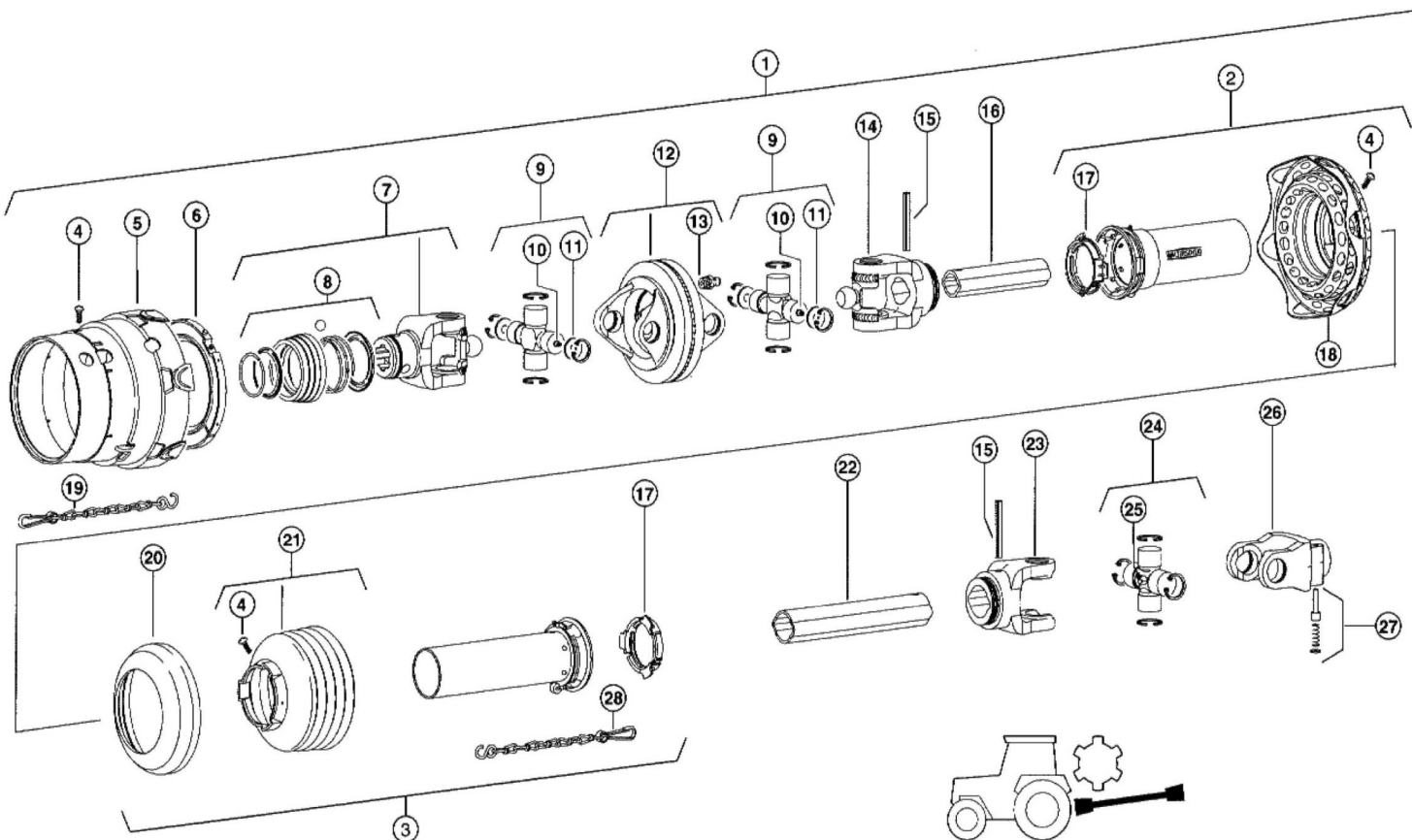
Characteristic: **UNIVERSAL DRIVE SHAFT**

Illustration: **126A**

Pos.	Part-No.	Description	DIN	Dimension	Qty.	Remark
1	000 954 214 2	Drive shaft			1	M04 0020
2	000 138 891 0	Guard half			1	
3	000 921 849 0	Inner Guard Half			1	
4	000 242 793 0	Cycl. Plate Screw	D7971	C4,2x 9,5	10	
5	000 139 005 0	Protect.funnel			1	
6	000 921 858 0	Glide ring			1	
7	000 139 003 0	Extension forke			1	
8	000 851 416 0	Disconnect lock			1	
9	000 139 004 0	Centre cross ass.			2	
10	000 244 943 0	Grease nipple	Din714	1/2 M6	2	
11	000 921 852 0	Washer			4	
12	000 921 853 0	Double fork			1	
13	000 179 838 0	Grease nipple	Din714	1/2 m 8x1	1	
14	000 921 854 0	Fork			1	
15	000 244 579 0	Tensioning pin	Iso8752	10 X 65	2	
16	000 138 355 0	Profile tube			1	
17	000 920 944 0	Glide ring			2	
18	000 138 895 0	Protect.funnel			1	
19	000 821 104 0	Supporting chain			1	
20	000 917 283 0	Back-up ring			1	
21	000 138 376 0	Protect.funnel			1	
22	000 138 350 0	Profile tube			1	
23	000 972 469 0	Tension pin forke			1	
24	000 972 465 0	Centre cross ass.			1	
25	000 244 946 0	Grease nipple		B M8x1	1	
26	000 972 466 0	Extension forke			1	
27	000 941 062 0	Sliding pin set			1	
28	000 972 297 0	Supporting chain			1	

**CLAAS**

**126A**

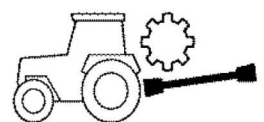
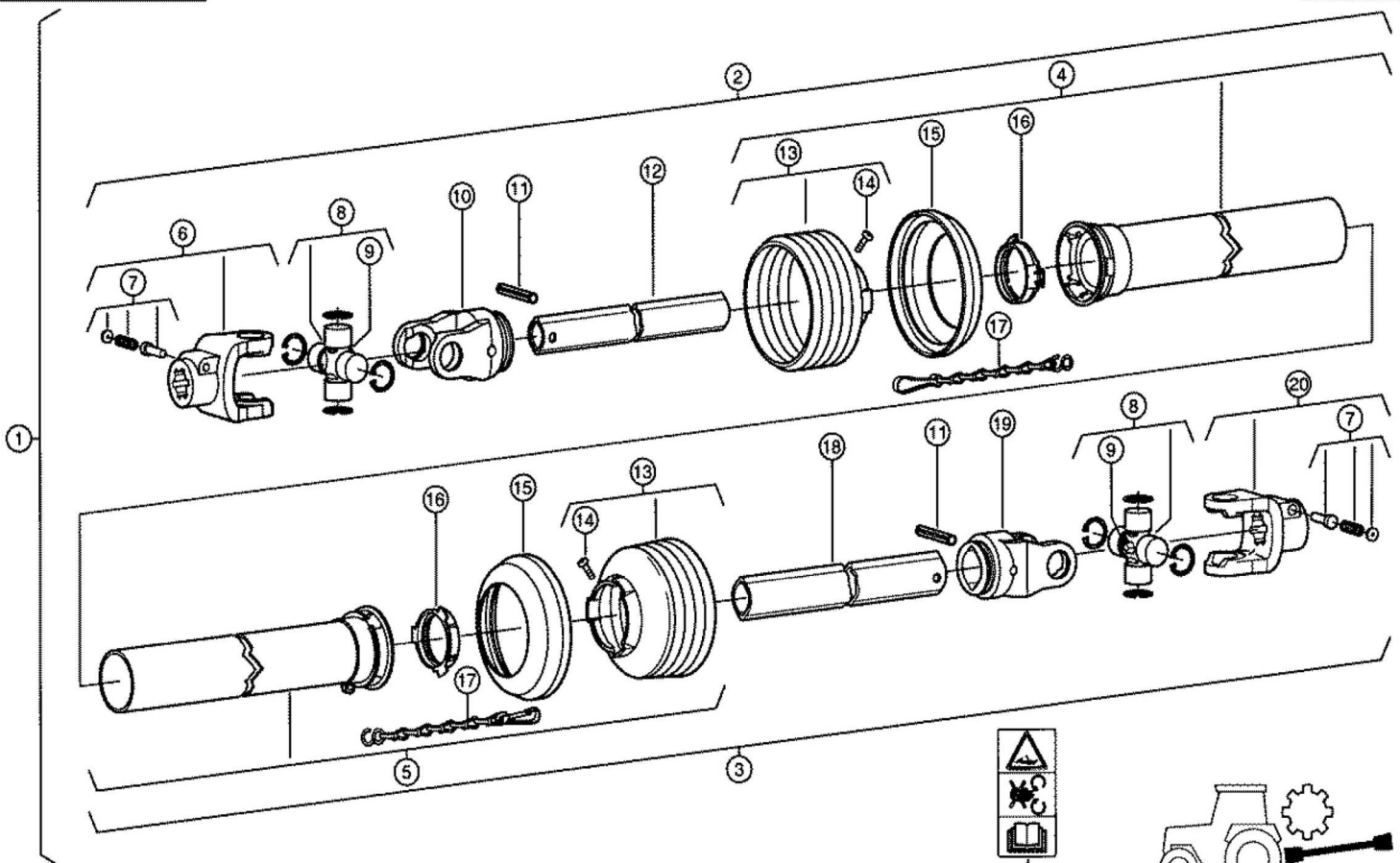


Characteristic: **UNIVERSAL DRIVE SHAFT**  
 Illustration: **127**

Pos.	Part-No.	Description	DIN	Dimension	Qty.	Remark
1	000 956 005 0	Drive shaft			1	M04 0030
2	000 956 006 0	Drive Shaft Half			1	
3	000 954 256 1	Drive Shaft Half			1	
4	000 940 463 0	Outer Guard Half			1	
5	000 940 464 0	Inner Guard Half			1	
6	000 939 864 0	Extension forke			1	1 3/8" (8)
7	000 941 062 0	Sliding pin set			2	
8	000 972 465 0	Centre cross ass.			2	
9	000 244 946 0	Grease nipple		B M8x1	2	
10	000 972 468 0	Tension pin forke			1	
11	000 244 579 0	Tensioning pin	Iso8752	10 X 65	2	
12	000 939 865 0	Profile tube		Lg=0v-740	1	
13	000 650 252 0	Protect.funnel			2	
14	000 242 793 0	Cycl. Plate Screw	D7971	C4,2x 9,5	2	
15	000 917 283 0	Back-up ring			2	
16	000 920 944 0	Glide ring			2	
17	000 972 297 0	Supporting chain			2	
18	000 939 866 0	Profile tube		Lg=1 -725	1	
19	000 972 469 0	Tension pin forke			1	
20	000 972 466 0	Extension forke			1	
21	000 831 747 0	Sticker			1	

**CLAAS**

**127**



LINER 1550 TWIN/1550 TWIN PROFIL

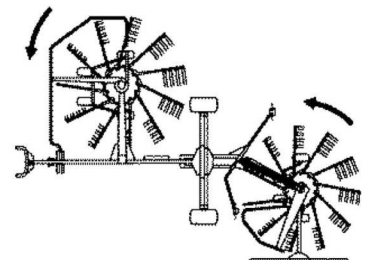
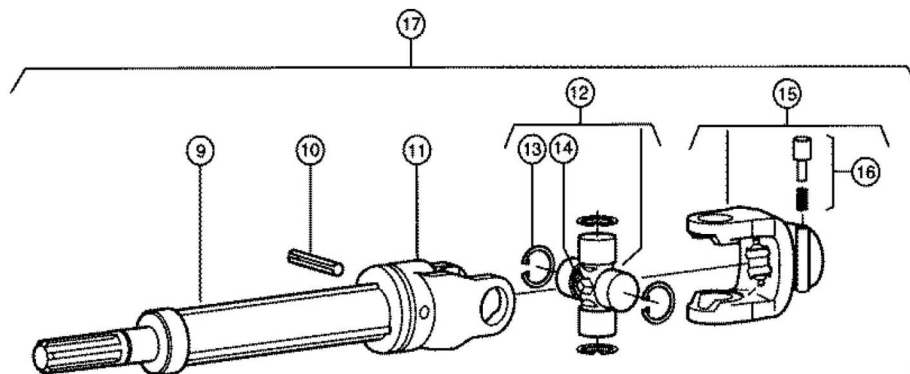
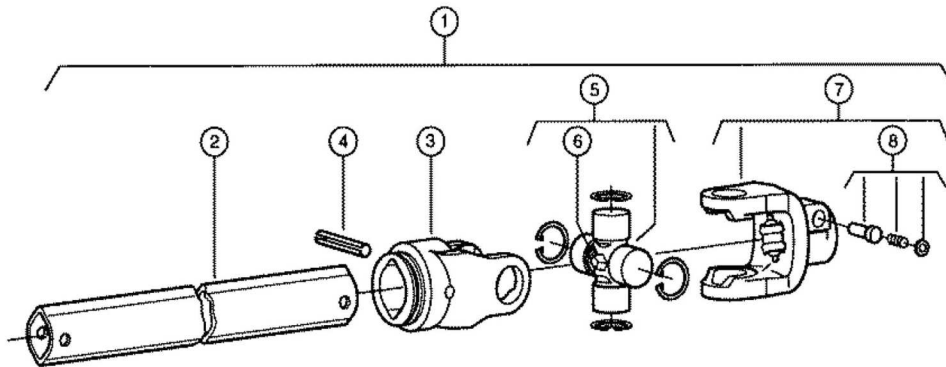
Characteristic: **INTERMED. SHAFT**

Illustration: **128**

Pos.	Part-No.	Description	DIN	Dimension	Qty.	Remark
1	000 955 554 0	Intermed.shaft			1	Item 2-8
2	000 940 673 0	Profile shaft		1020 lang	1	
3	000 972 461 0	Tension pin forke			1	
4	000 244 579 0	Tensioning pin	Iso8752	10 X 65	1	
5	000 941 495 0	Centre cross ass.			1	
6	000 244 946 0	Grease nipple		B M8x1	1	
7	000 977 218 0	Extension forke			1	
8	000 941 062 0	Sliding pin set			1	
9	000 920 075 0	Splined shaft			1	
10	000 950 021 9	Tensioning pin	Iso8752	8 X 55	1	
11	000 921 159 0	Inner fork			1	
12	000 921 158 0	Centre cross ass.			1	
13	000 977 424 0	Circlip			4	
14	000 244 946 0	Grease nipple		B M8x1	1	
15	000 921 157 0	Outer fork			1	
16	000 941 910 0	Sliding pin			1	
17	000 959 900 0	Intermed.shaft			1	Item 9-16

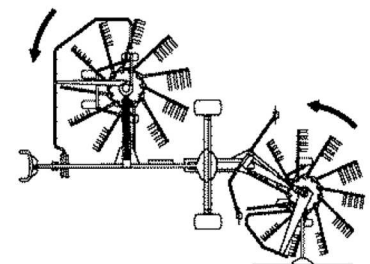
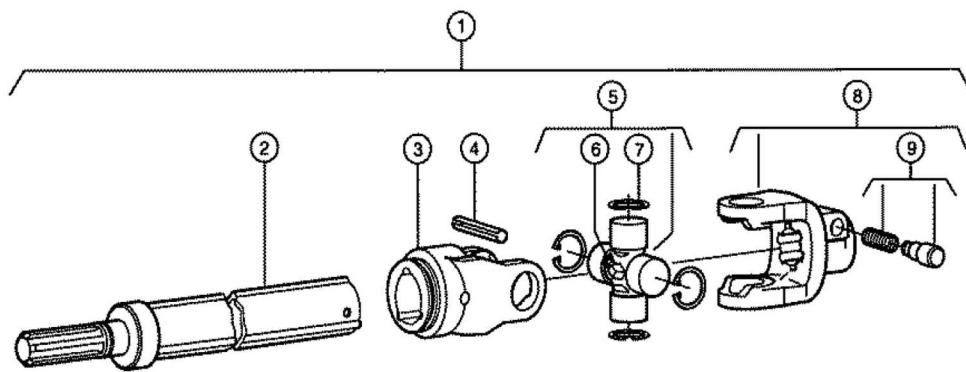
**CLAAS**

**128**



Characteristic: **INTERMED. SHAFT**  
 Illustration: **129**

Pos.	Part-No.	Description	DIN	Dimension	Qty.	Remark
1	000 956 549 0	Intermed.shaft			1	
2	000 939 885 0	Profile shaft			1	
3	000 921 159 0	Inner fork			1	
4	000 950 021 9	Tensioning pin	Iso8752	8 X 55	1	
5	000 921 158 0	Centre cross ass.			1	
6	000 244 946 0	Grease nipple		B M8x1	1	
7	000 211 961 0	Circlip	D472	24x1,2	4	
8	000 921 157 0	Outer fork			1	
9	000 941 910 0	Sliding pin			1	



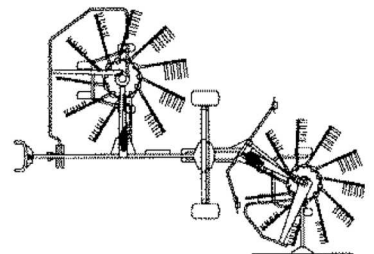
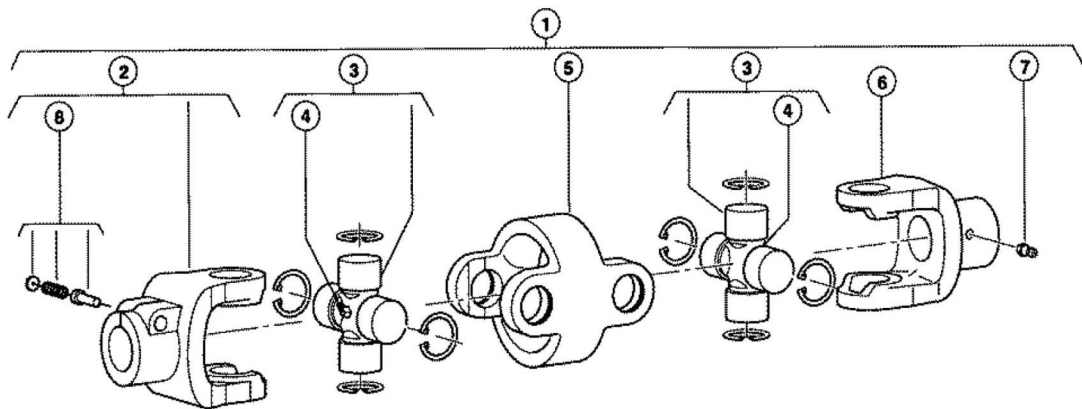
Characteristic: **DOUBLE JOINT**

Illustration: **130**

Pos.	Part-No.	Description	DIN	Dimension	Qty.	Remark
1	000 983 268 2	Double joint			1	L=321mm
1	000 959 546 0	Double joint			1	L=274mm
2	000 977 218 0	Extension forke			1	
3	000 941 495 0	Centre cross ass.			2	
4	000 244 946 0	Grease nipple		B M8x1	2	
5	000 921 154 0	Double fork			1	
6	000 921 723 0	Hub yoke			1	L=145mm
6	000 933 755 0	Hub yoke			1	L= 98mm
7	000 179 838 0	Grease nipple	Din714	12 m 8x1	1	
8	000 941 062 0	Sliding pin set			1	

**CLAAS**

**130**

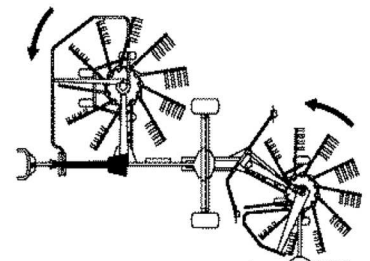
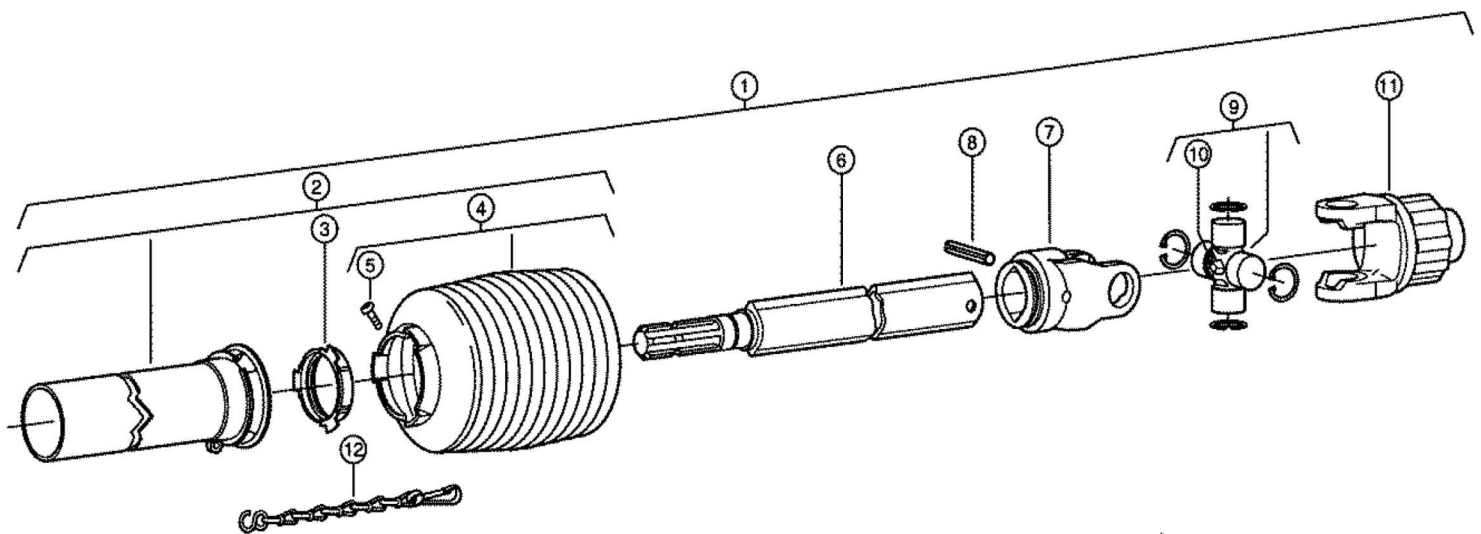


Characteristic: **INTERMEDIATE SHAFT WITH GUARD**  
 Illustration: **131**

Pos.	Part-No.	Description	DIN	Dimension	Qty.	Remark
1	000 924 540 0	Intermed.shaft			1	from 398 0 3891
1	000 955 271 1	Intermed.shaft			1	to 398 0 3890
2	000 138 377 0	Guard half			1	from 398 0 3891
2	000 940 668 0	Inner Guard Half			1	to 398 0 3890
3	000 920 944 0	Glide ring			1	
4	000 940 671 0	Protect.funnel			1	
5	000 242 793 0	Cycl. Plate Screw	D7971	C4,2x 9,5	1	
6	000 138 378 0	Intermed.shaft		Zwh-2025-1 3/8"	1	from 398 0 3891
6	000 940 670 0	Profile shaft		1825 lang	1	to 398 0 3890
7	000 972 461 0	Tension pin forke			1	
8	000 244 579 0	Tensioning pin	Iso8752	10 X 65	1	
9	000 941 495 0	Centre cross ass.			1	
10	000 244 946 0	Grease nipple		B M8x1	1	
11	000 940 669 1	Star ratchet			1	single parts plate 132 M=700 Nm
12	000 972 297 0	Supporting chain			1	

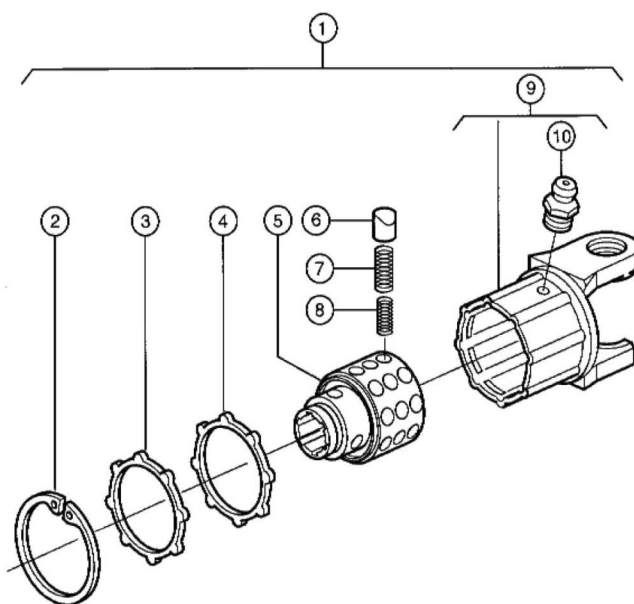
**CLAAS**

**131**



Characteristic: **OVER - RUN CLUTCH**  
 Illustration: **132**

Pos.	Part-No.	Description	DIN	Dimension	Qty.	Remark
1	000 940 669 1	Star ratchet			1	M=700 Nm
2	000 236 318 0	Circlip	Din472	80x2,5	1	
3	000 920 679 0	Thrust washer			1	
4	000 920 913 0	Seal ring			1	
5	000 941 699 0	Hub			1	
6	000 972 476 1	Cam			24	
7	000 972 508 0	Compress.spring			24	
8	000 972 509 0	Inner spring			7	
9	000 941 450 0	Clutch housing			1	
10	000 179 838 0	Grease nipple	Din714	12 m 8x1	1	

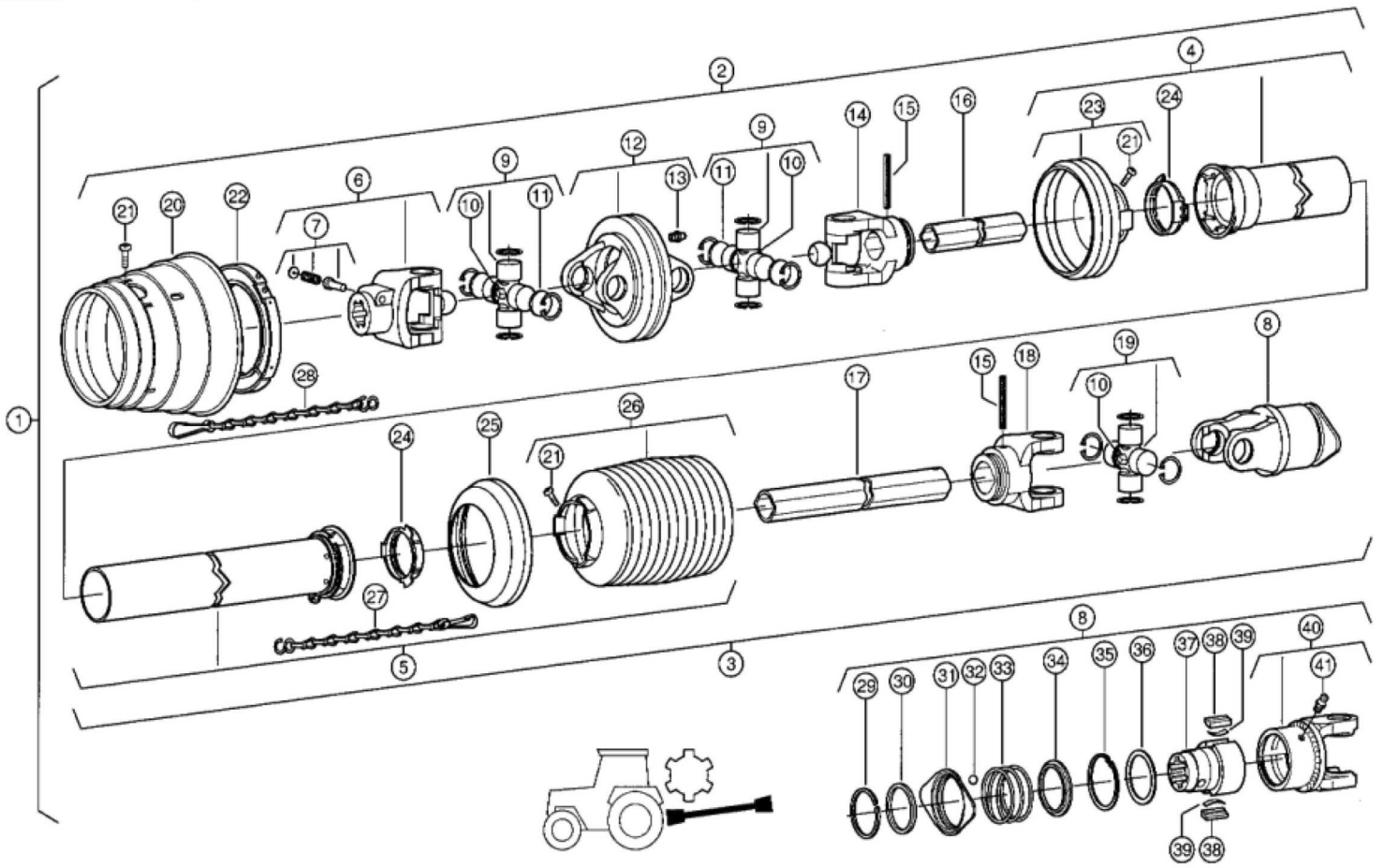


Characteristic: **WIDE ANGLE UNIVERSAL DRIVE SHAFT**

Illustration: **133**

Pos.	Part-No.	Description	DIN	Dimension	Qty.	Remark
1	000 957 578 1	Drive shaft			1	M04 0040
2	000 954 258 2	Drive Shaft Half			1	
3	000 957 885 0	Drive Shaft Half			1	
4	000 933 850 0	Protective tube			1	
5	000 138 868 0	Guard half			1	
6	000 921 135 0	Extension forke			1	1 3/8" (6)
7	000 941 062 0	Sliding pin set			1	
8	000 933 224 0	Keyoverrun clutch			1	
9	000 921 137 0	Centre cross ass.			2	
10	000 244 946 0	Grease nipple		B M8x1	3	
11	000 921 852 0	Washer			4	
12	000 935 300 0	Double fork			1	
13	000 179 838 0	Grease nipple	Din7141	12 m 8x1	1	
14	000 921 854 0	Fork			1	
15	000 244 579 0	Tensioning pin	Iso8752	210 X 65	2	
16	000 933 486 0	Profile tube	020614	Ovga-1120	1	
17	000 933 487 0	Profile tube	177421	1g-1110	1	
18	000 972 469 0	Tension pin forke			1	
19	000 972 465 0	Centre cross ass.			1	
20	000 921 857 0	Protect.funnel			1	
21	000 242 793 0	Cycl. Plate Screw	D7971	C4,2x 9,5	8	
22	000 921 858 0	Glide ring			1	
23	000 921 859 0	Protect.funnel			1	
24	000 920 944 0	Glide ring			2	
25	000 917 283 0	Back-up ring			1	
26	000 939 863 0	Protect.funnel			1	
27	000 972 297 0	Supporting chain			1	
28	000 821 104 0	Supporting chain			1	
29	000 211 406 0	Snap ring	D5417	Sp 50	1	
30	000 941 098 0	Angle ring			1	
31	000 940 672 0	Locking sleeve			1	
32	000 241 041 0	Steel ball	D5401	12,7 G28	3	
33	000 920 678 0	Compress.spring			1	
34	000 920 683 0	Back-up ring			1	
35	000 235 186 0	Circlip	Din472	72x2,5	1	
36	000 234 388 0	Back-up washer	Din988	S 56x 72	1	
37	000 814 227 0	Hub			1	
38	000 814 228 0	Stop key			2	
39	000 814 229 0	Flat spring			2	
40	000 822 377 0	Clutch housing			1	
41	000 179 838 0	Grease nipple	Din7141	12 m 8x1	1	

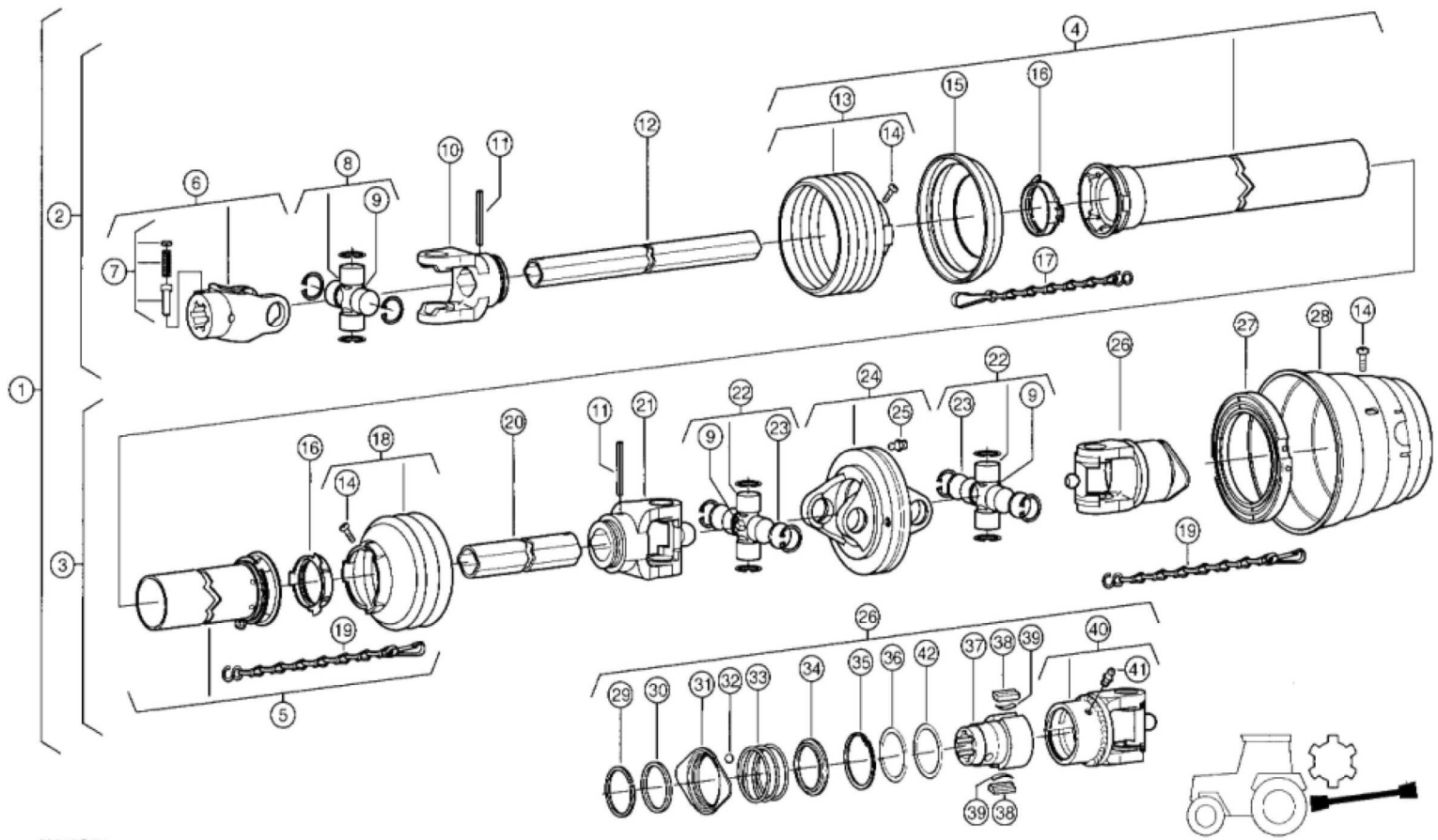




Characteristic: **WIDE ANGLE UNIV. DR. SHAFT WITH COASTING**

Illustration: **133A**

Pos.	Part-No.	Description	DIN	Dimension	Qty.	Remark
1	000 974 744 1	Drive shaft			1	1 3/8"(6),m04 0070
1	000 924 916 0	Drive shaft			1	1 3/8"(8),m04 0050
2	000 974 798 0	Drive Shaft Half		Wwe2380-Sd15	1	
3	000 974 799 0	Drive Shaft Half		Wwe2380-Sd15	1	
4	000 666 646 0	Protective tube			1	
5	000 935 967 0	Inner Guard Half			1	
6	000 972 466 0	Extension forke			1	1 3/8"(6), M04 0070
6	000 972 466 0	Extension forke			1	1 3/8"(8), M04 0050
7	000 941 062 0	Sliding pin set			1	
8	000 972 465 0	Centre cross ass.			1	
9	000 244 946 0	Grease nipple		B M8x1	3	
10	000 933 663 0	Fork			1	
11	000 244 579 0	Tensioning pin	Iso8752	210 X 65	2	
12	000 138 355 0	Profile tube			1	
13	000 138 376 0	Protect.funnel			1	
14	000 242 793 0	Cycl. Plate Screw	D7971	C4,2x 9,5	8	
15	000 917 283 0	Back-up ring			1	
16	000 920 944 0	Glide ring			2	
17	000 972 297 0	Supporting chain			1	
18	000 921 859 0	Protect.funnel			1	
19	000 821 104 0	Supporting chain			2	
20	000 138 369 0	Profile tube			1	
21	000 935 977 0	Fork			1	
22	000 921 137 0	Centre cross ass.			2	
23	000 921 852 0	Washer			4	
24	000 935 300 0	Double fork			1	
25	000 179 838 0	Grease nipple	Din714	12 m 8x1	1	
26	000 935 301 0	Keyoverrun clutch			1	
27	000 921 858 0	Glide ring			1	
28	000 921 857 0	Protect.funnel			1	
29	000 211 406 0	Snap ring	D5417	Sp 50	1	
30	000 941 098 0	Angle ring			1	
31	000 920 677 0	Locking sleeve			1	
32	000 241 041 0	Steel ball	D5401	12,7 G28	3	
33	000 920 678 0	Compress.spring			1	
34	000 920 683 0	Back-up ring			1	
35	000 235 186 0	Circlip	Din472	72x2,5	1	
36	000 234 388 0	Back-up washer	Din988	S 56x 72	1	
37	000 814 227 0	Hub			1	
38	000 814 228 0	Stop key			2	
39	000 814 229 0	Flat spring			2	
40	000 935 307 0	Clutch housing			1	
41	000 179 838 0	Grease nipple	Din714	12 m 8x1	1	
42	000 234 401 0	Shims	Din988	56x72x0,1	N.B	
42	000 234 414 0	Shims	Din988	56x72x0,3	N.B	



Characteristic: **FORK PIECE 1 3/8" (8)**

Illustration: **133B**

Pos.	Part-No.	Description	DIN	Dimension	Qty.	Remark
1	000 974 397 0	Extension forke			1	M03 0010
2	000 941 062 0	Sliding pin set			1	

**CLAAS**

**133B**

