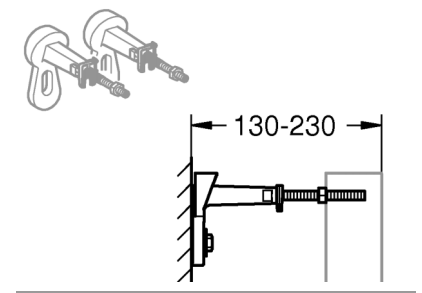
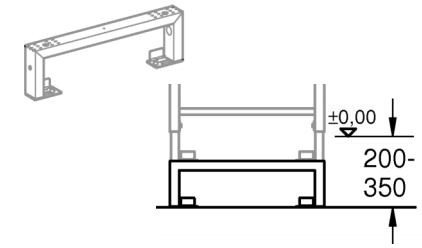


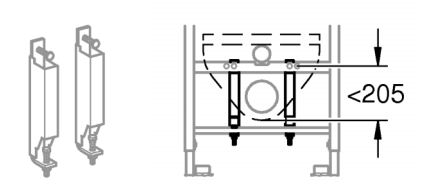
38 558



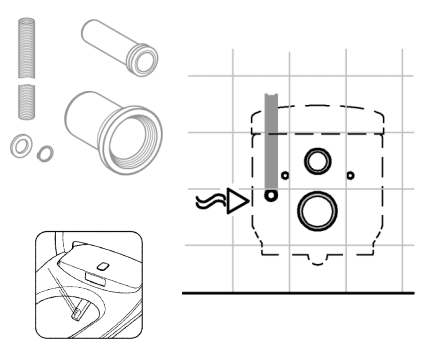
38 629



38 779



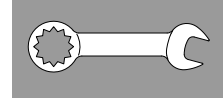
40 899



1 - 2



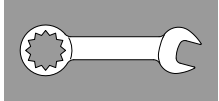
2 - 6



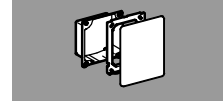
7 - 8



8 - 11

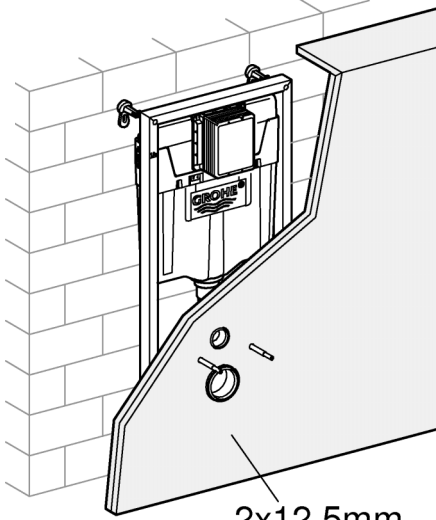


11



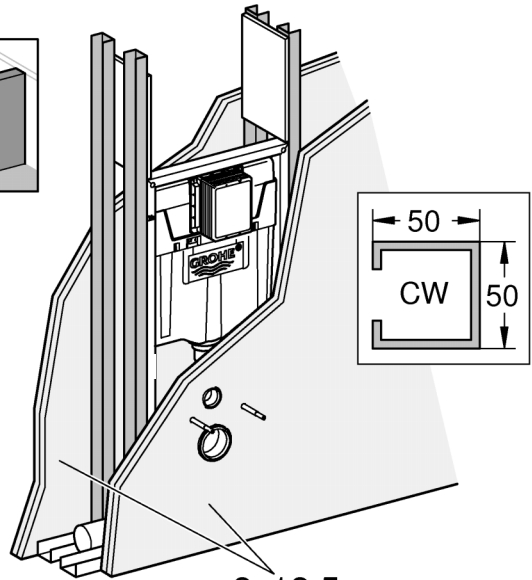
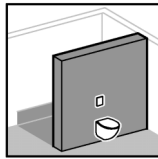


2 - 4



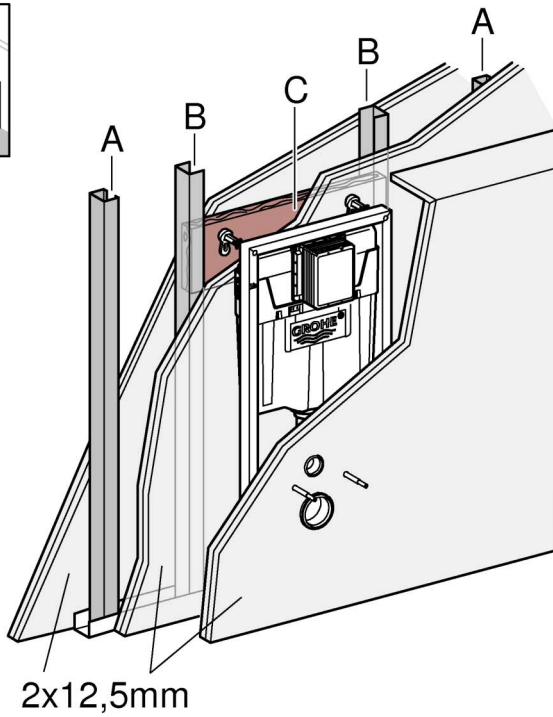
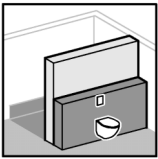
2x12,5mm

5 - 6



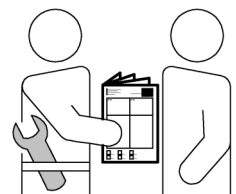
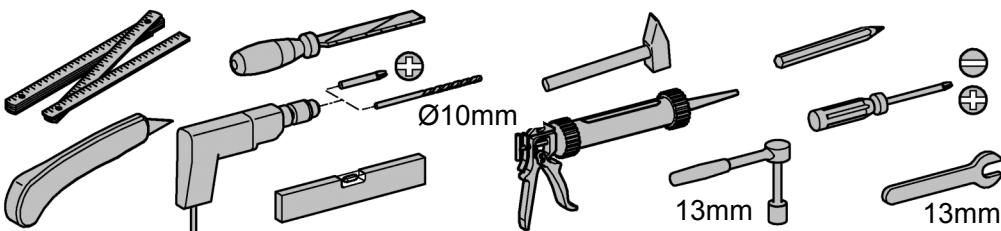
2x12,5mm

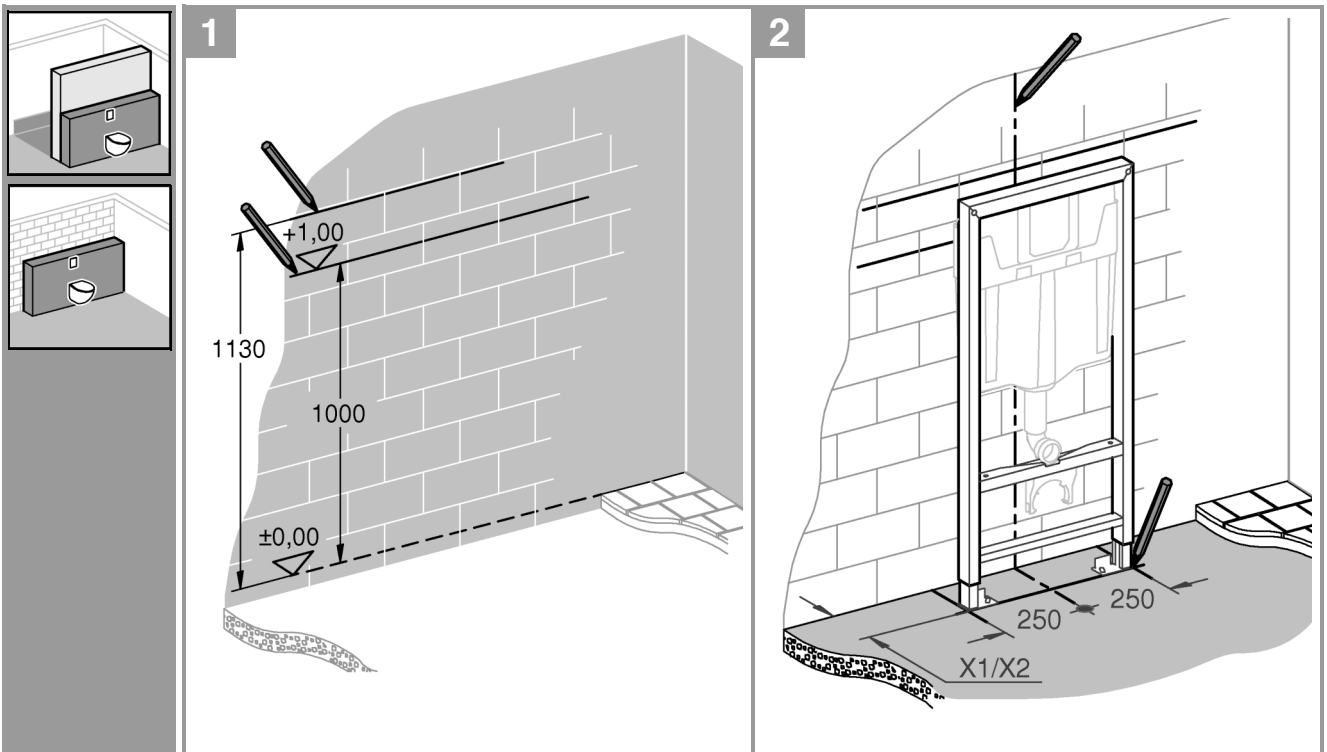
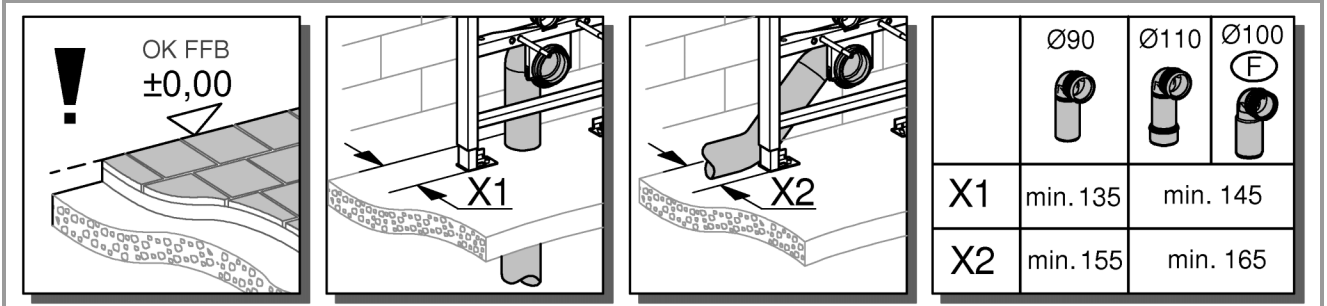
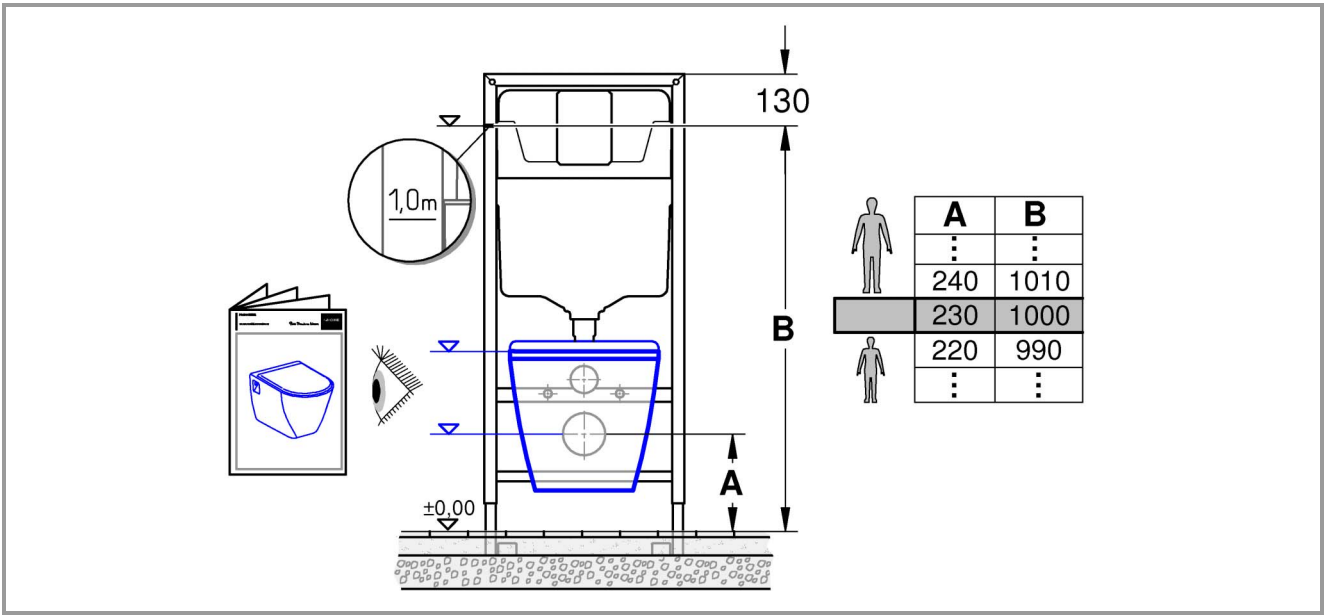
2 - 4

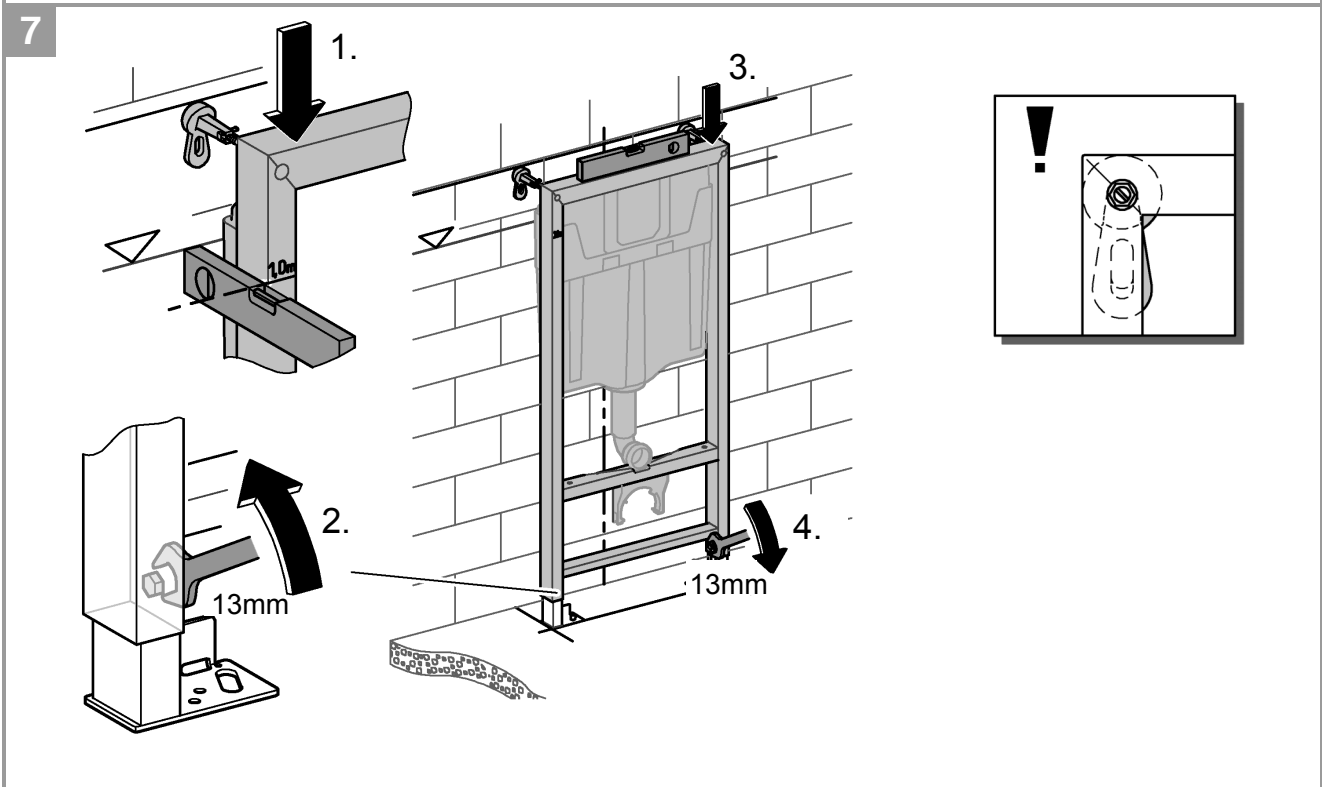
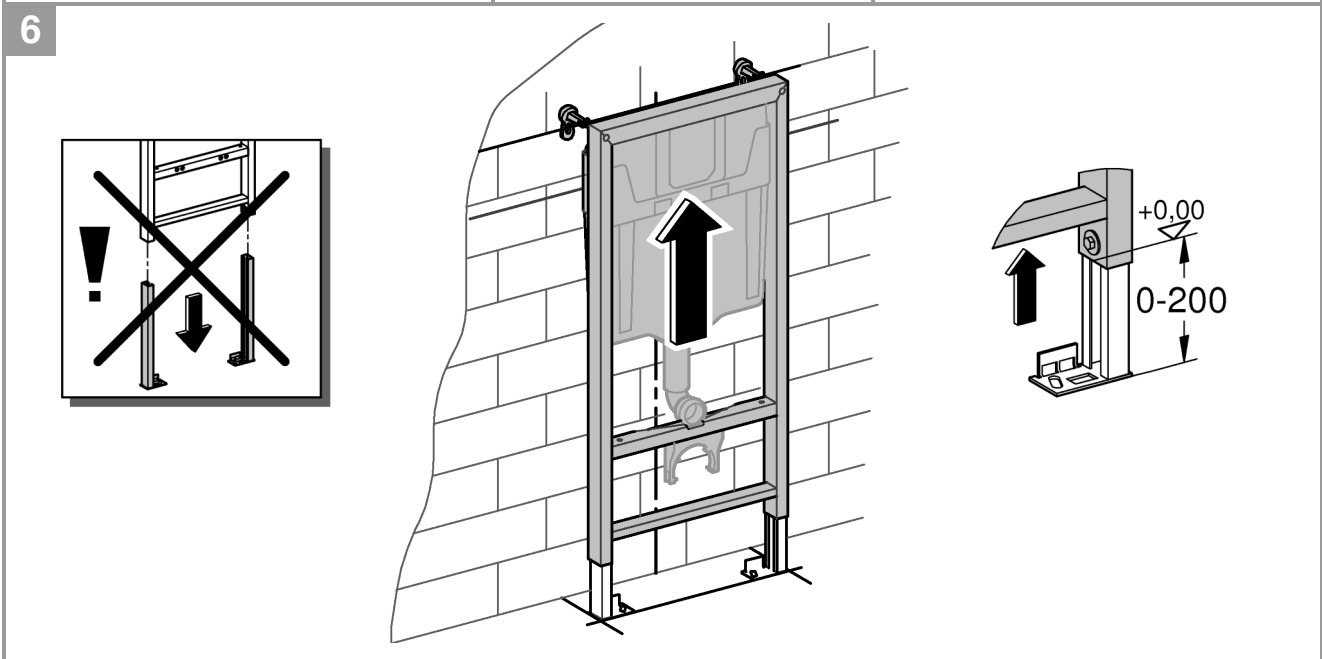
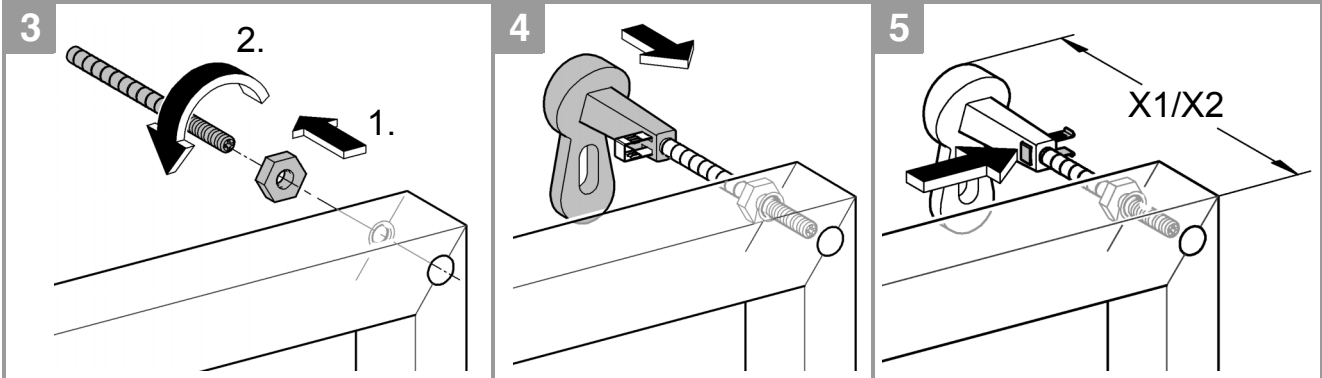


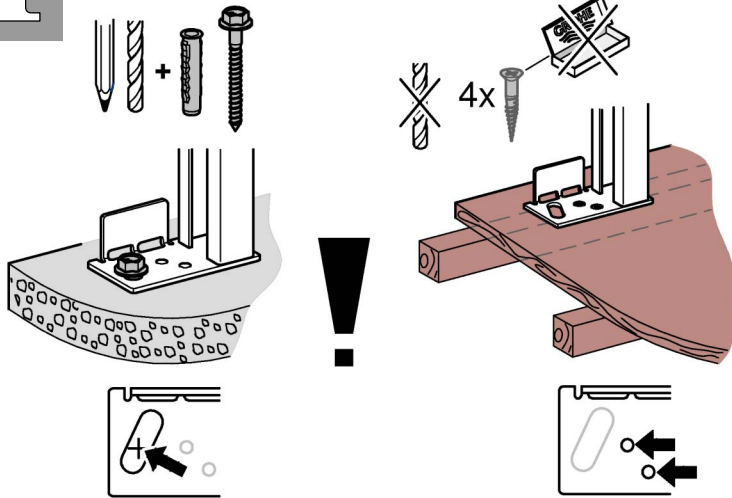
2x12,5mm

A	B	C
50x50x0,6	50x40x2	300x620x24
75x50x0,6	75x40x2	

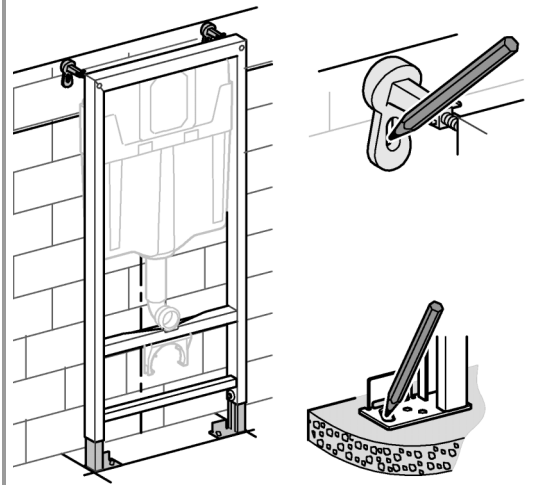




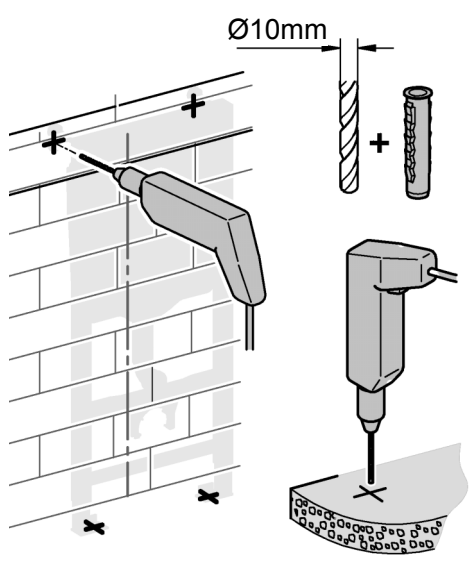




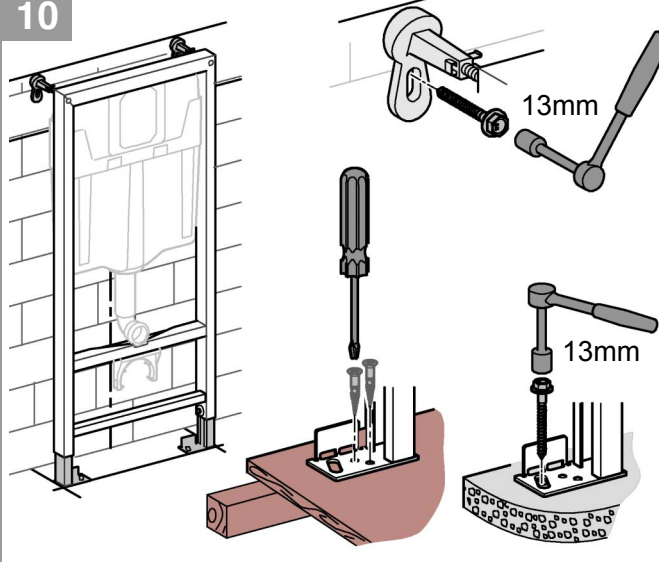
8



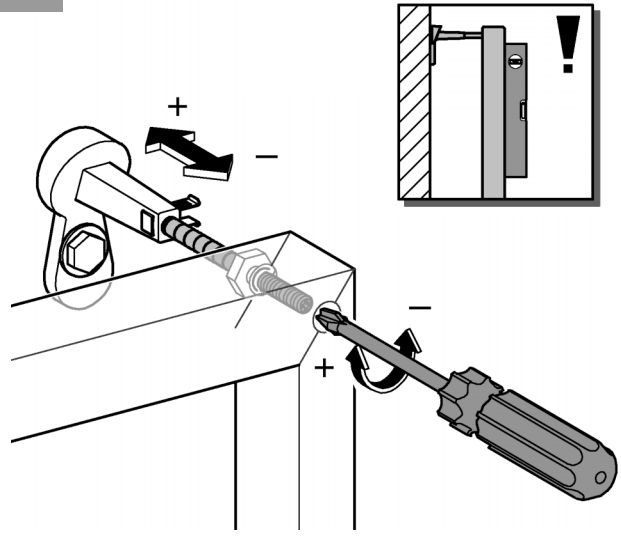
9



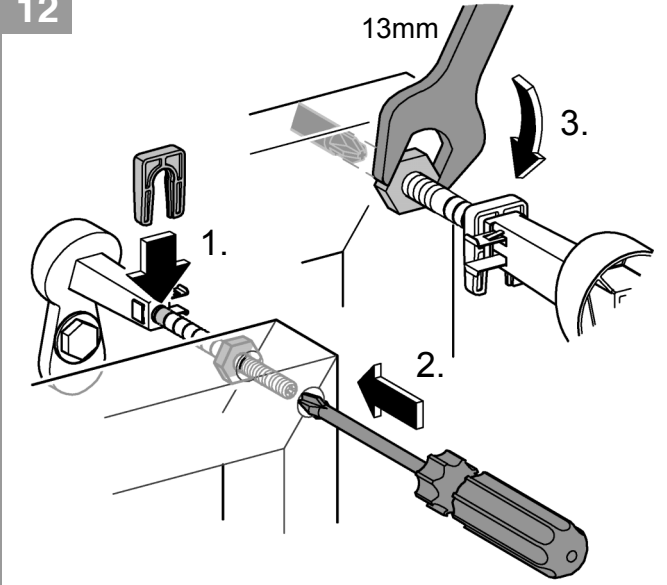
10

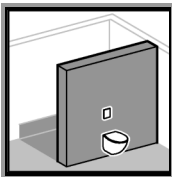


11

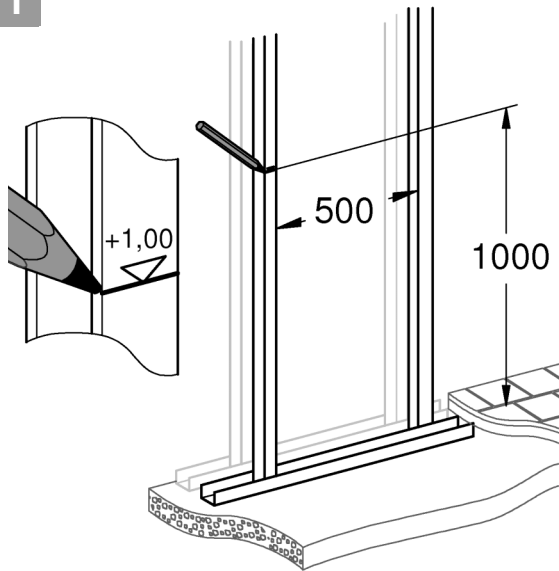


12

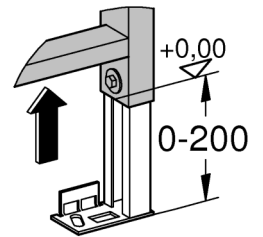
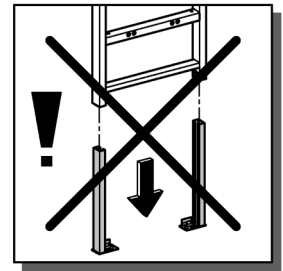
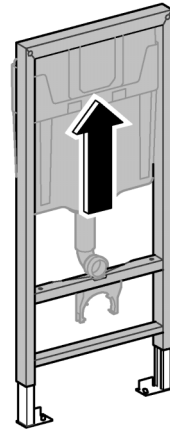




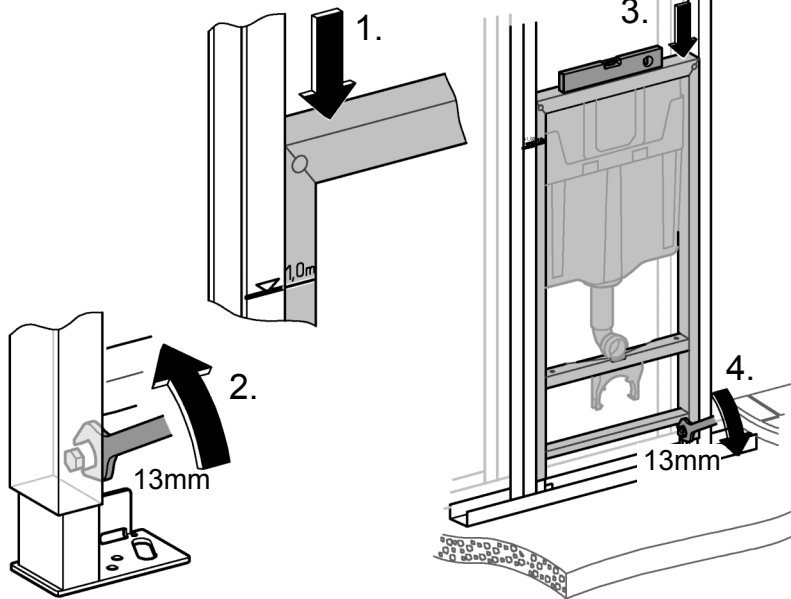
1



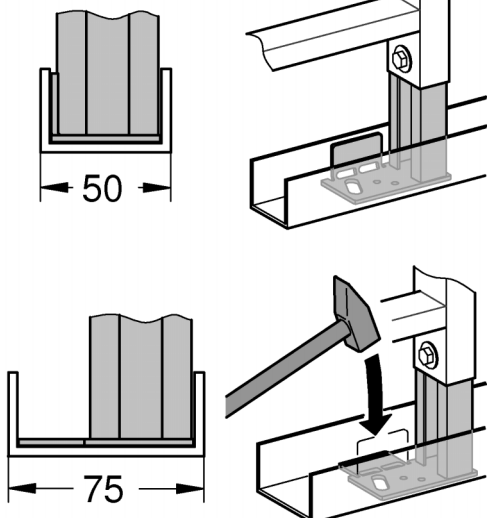
2



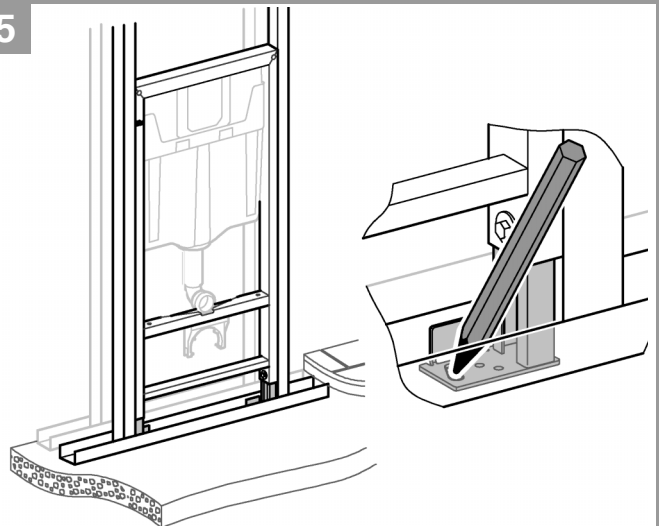
3



4

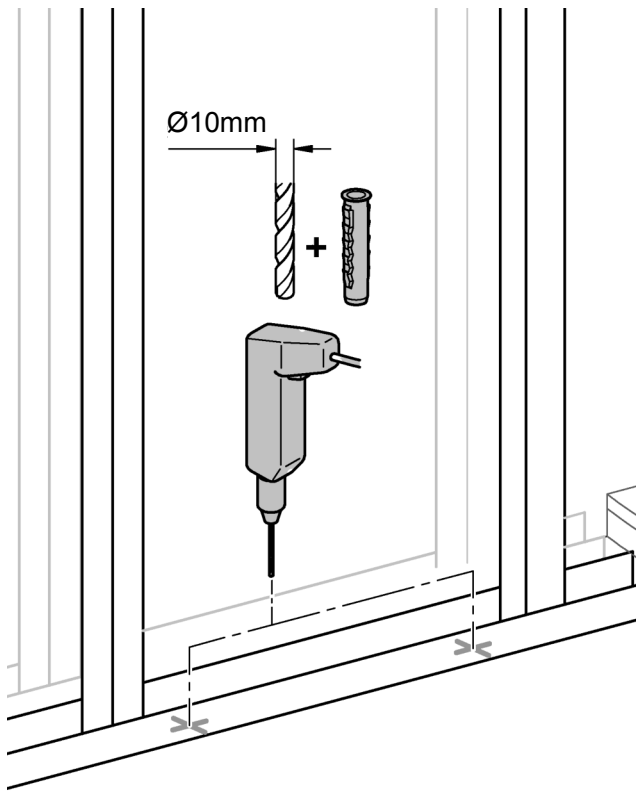


5

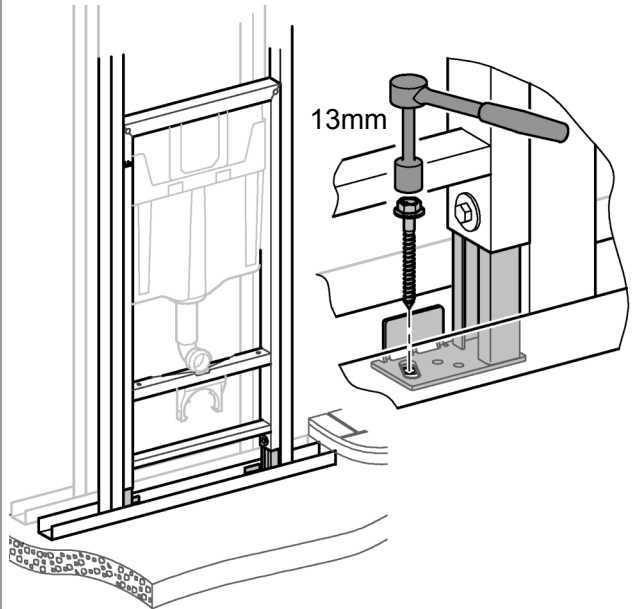




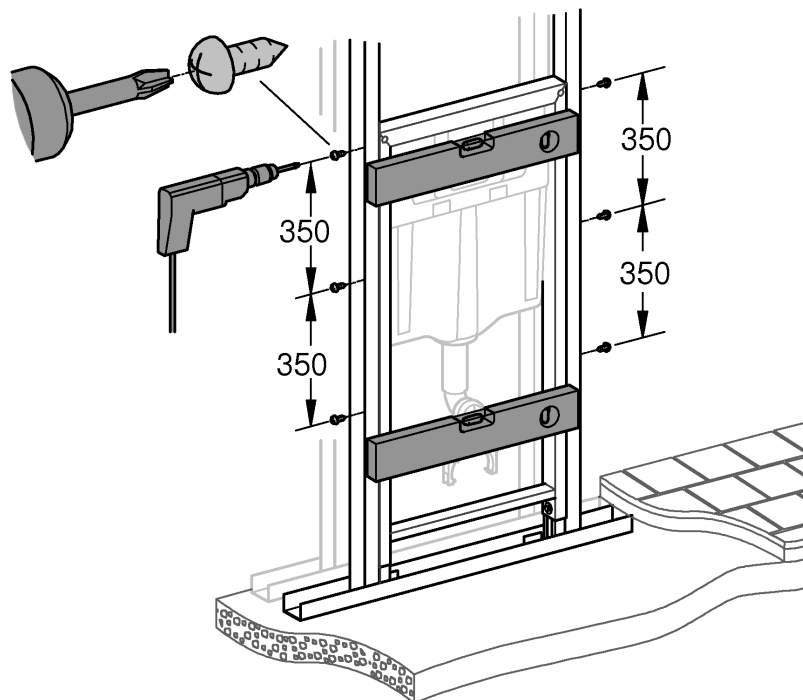
6

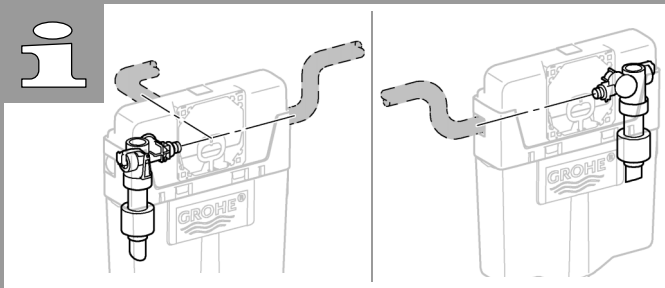


7

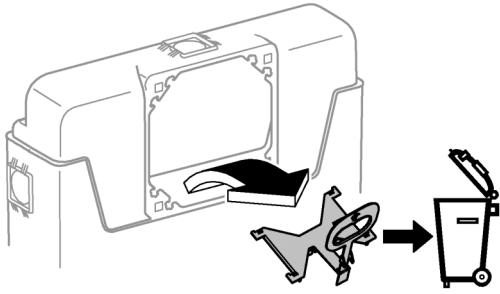


8

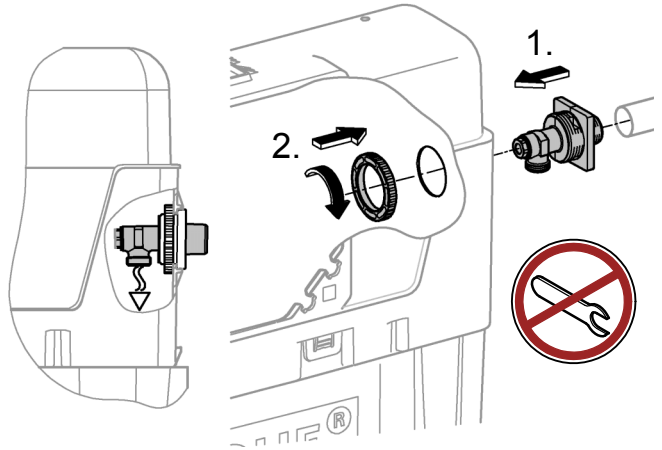




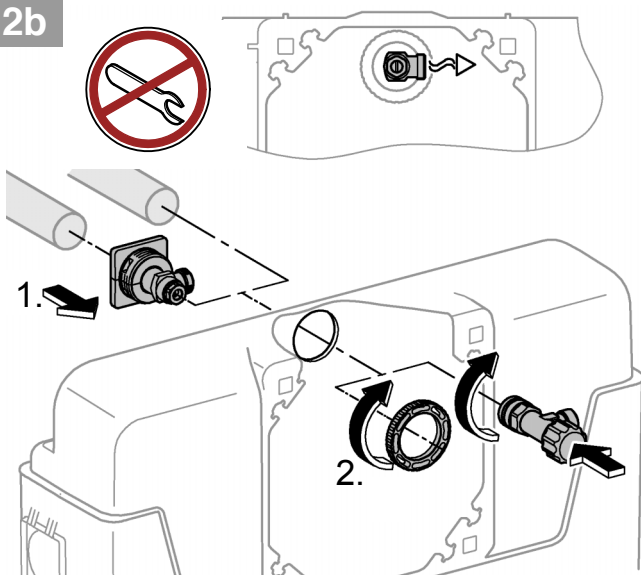
1



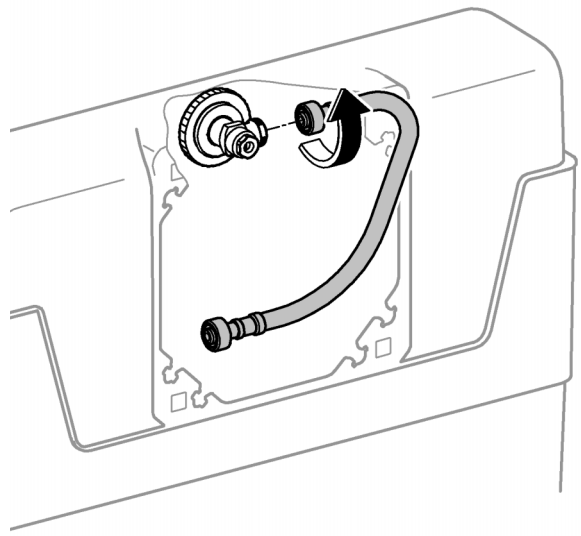
2a



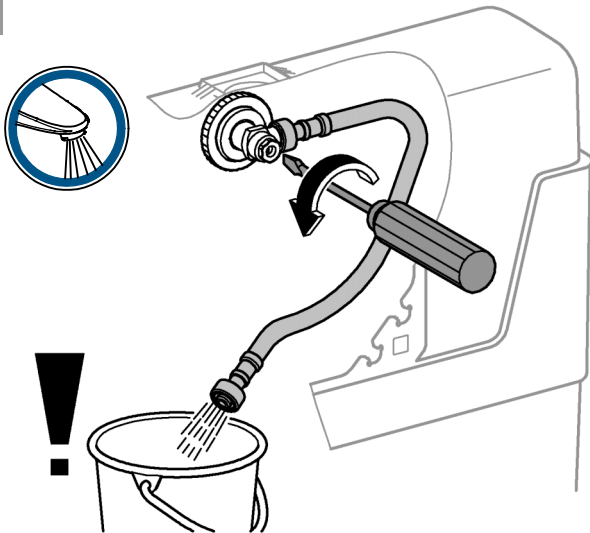
2b



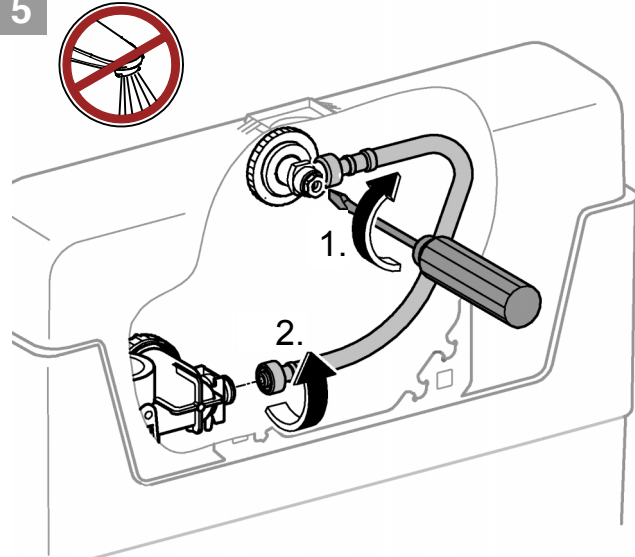
3



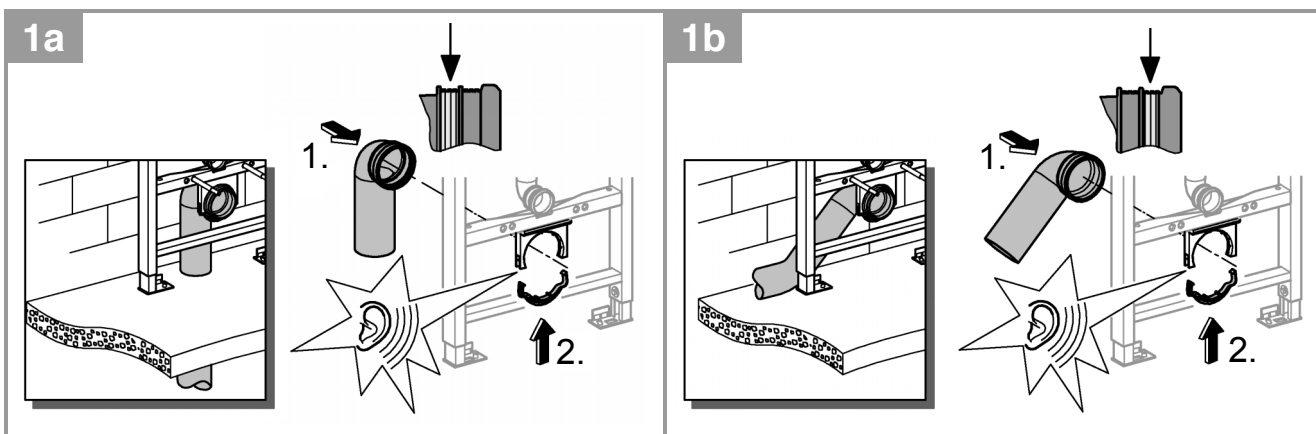
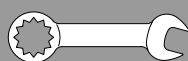
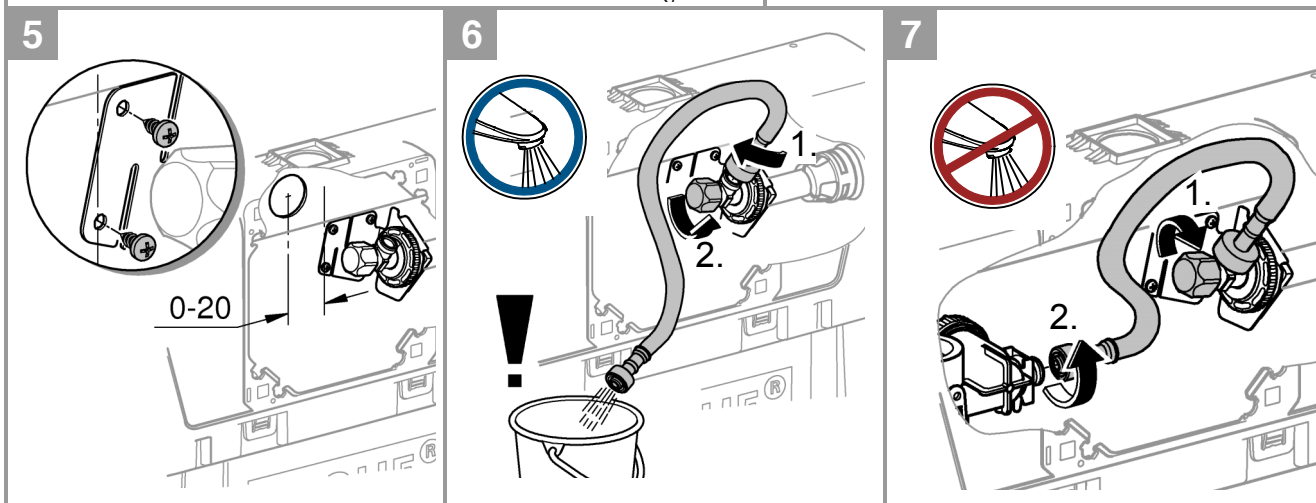
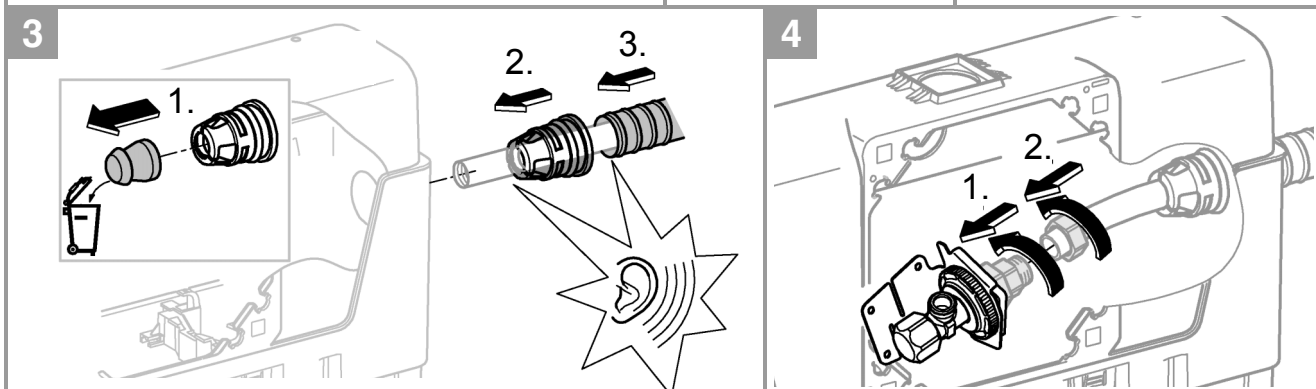
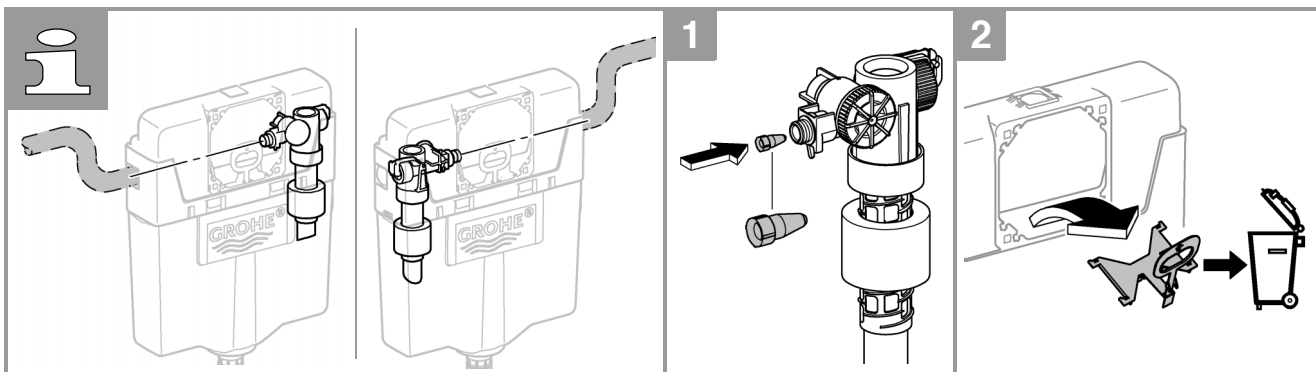
4



5

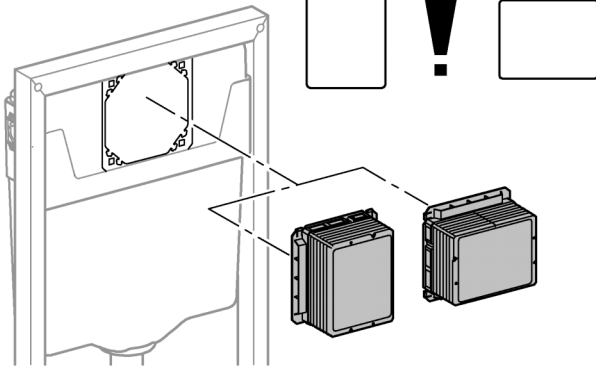
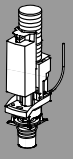




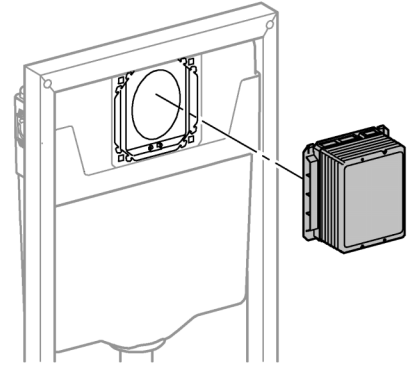




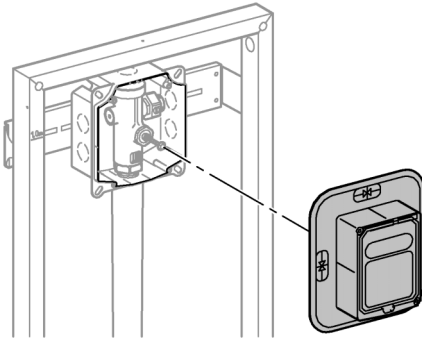
2a



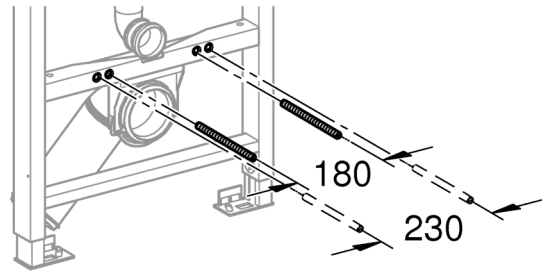
2b



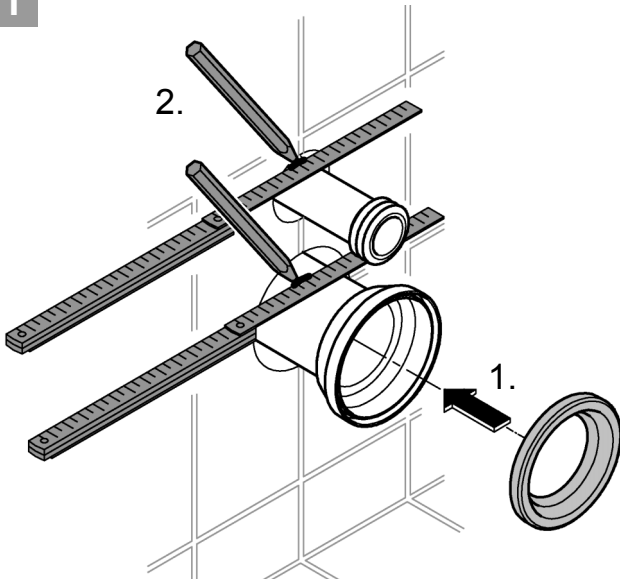
2c



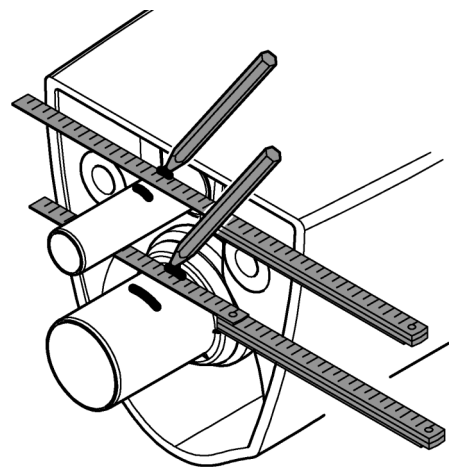
3



1

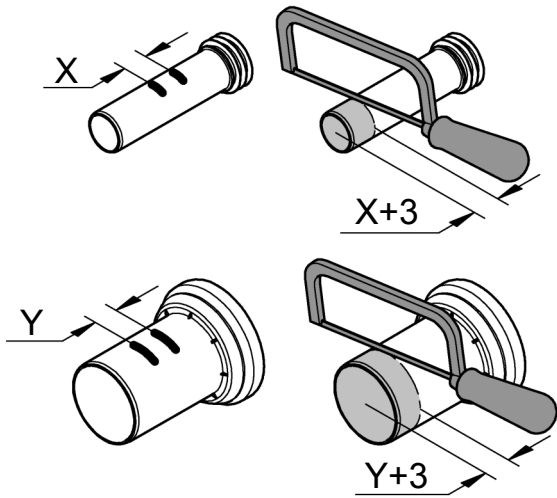


2

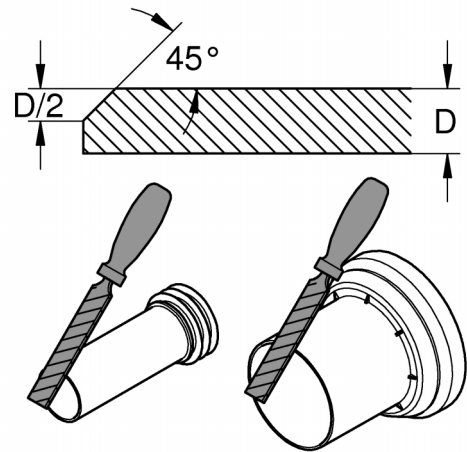




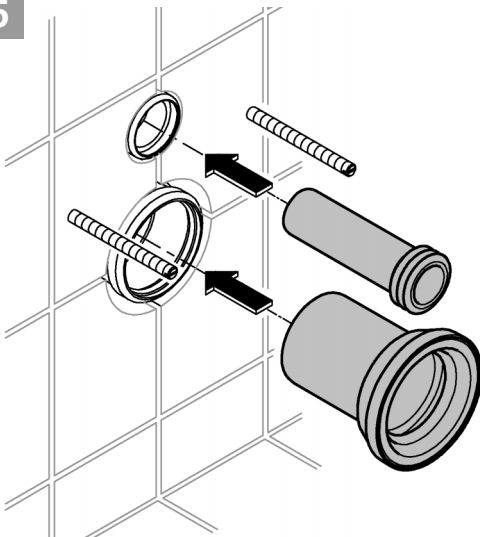
3



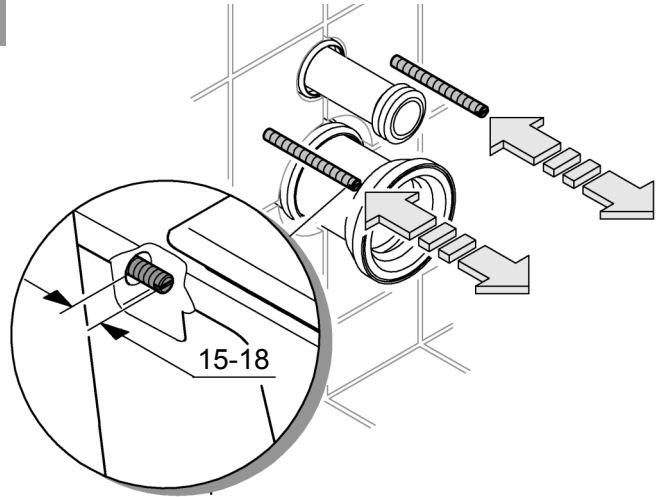
4



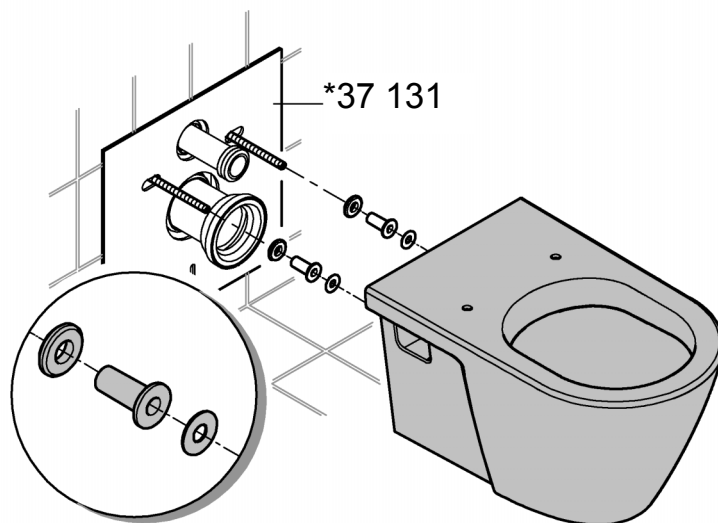
5



6

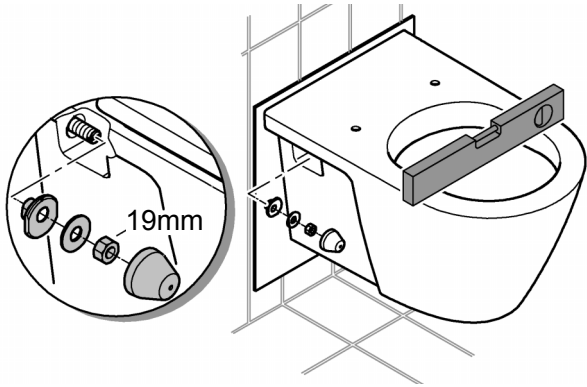


7

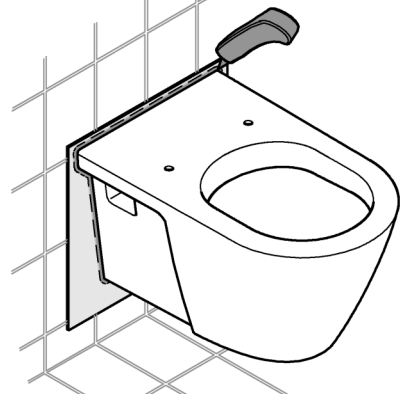




8



9



10

