

Joie™

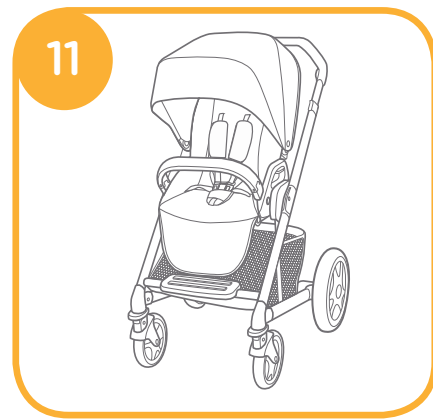
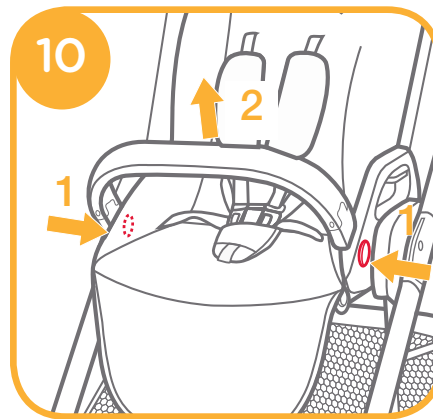
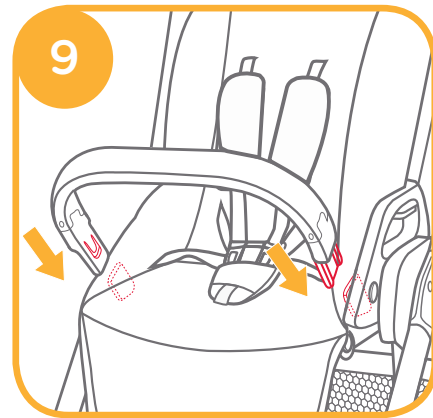
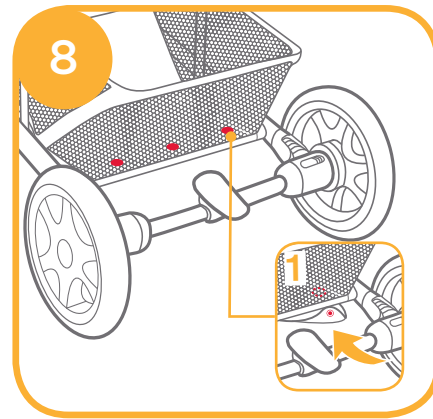
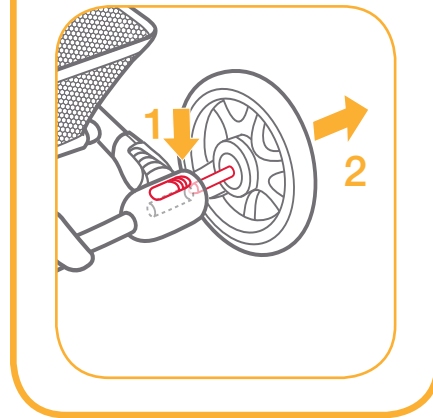
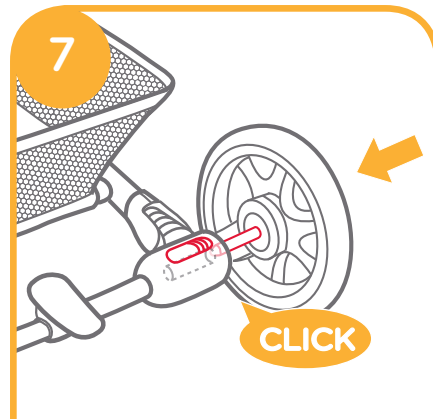
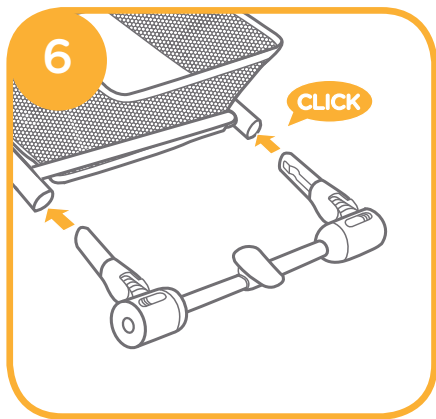
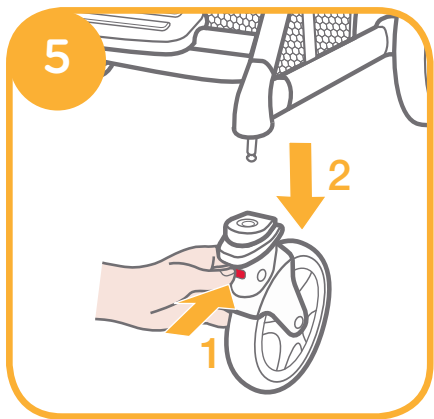
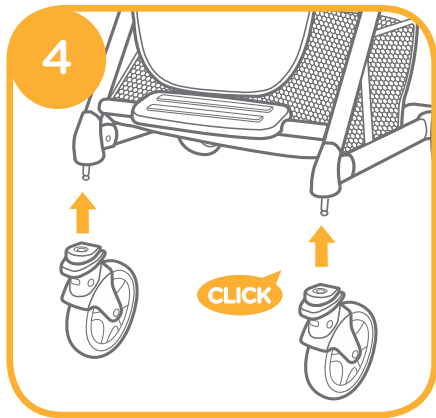
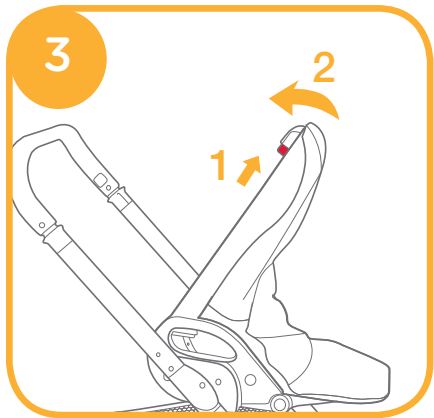
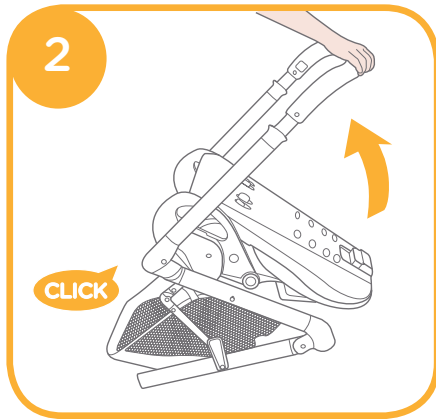
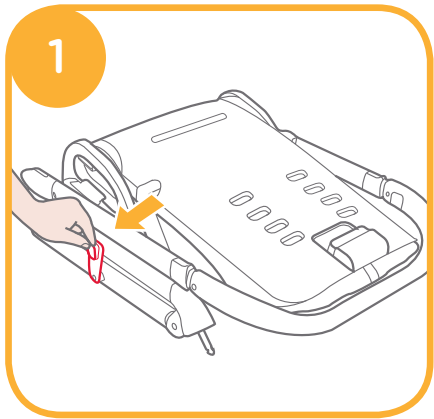
birth to 15kg/(birth - 36 months)

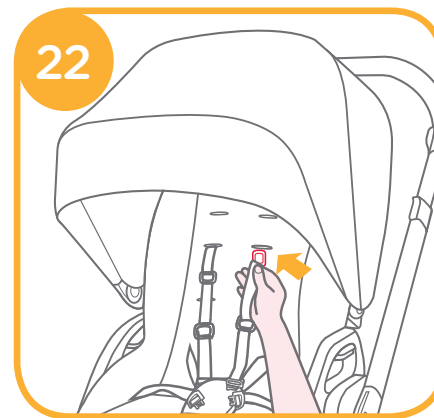
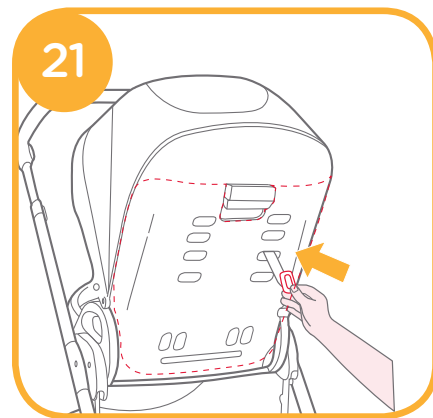
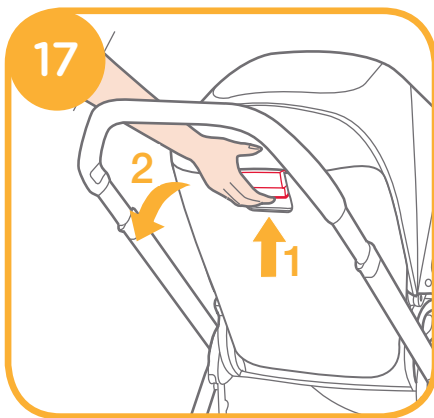
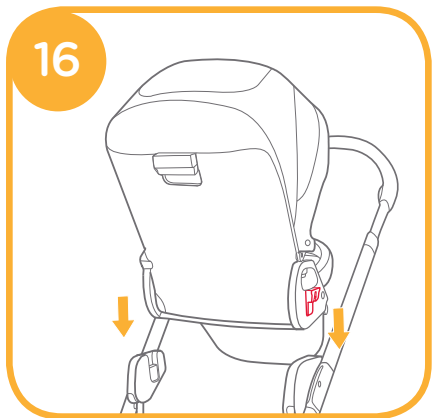
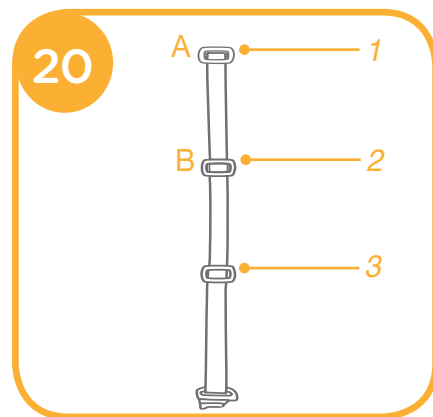
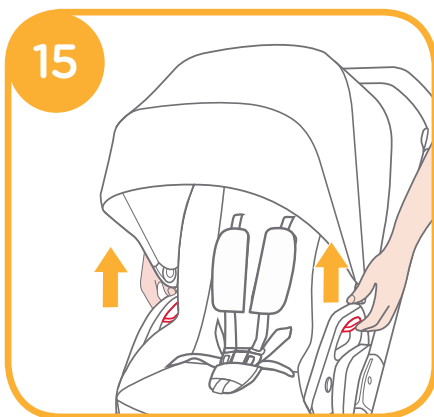
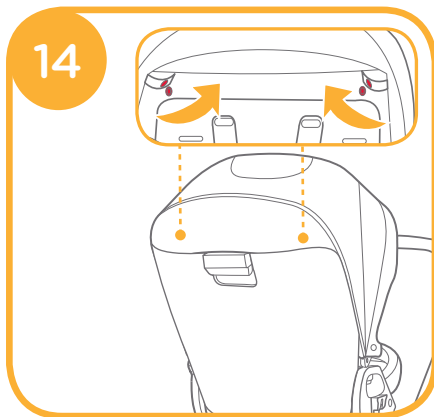
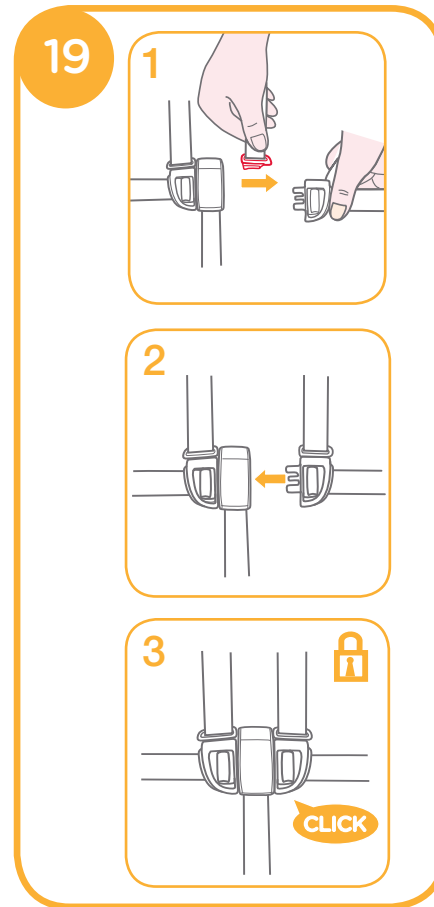
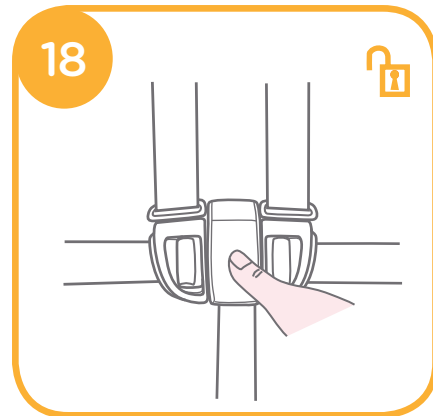
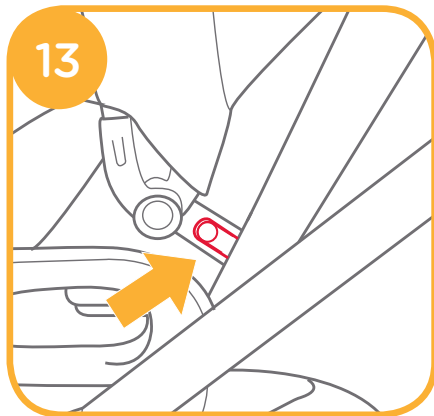
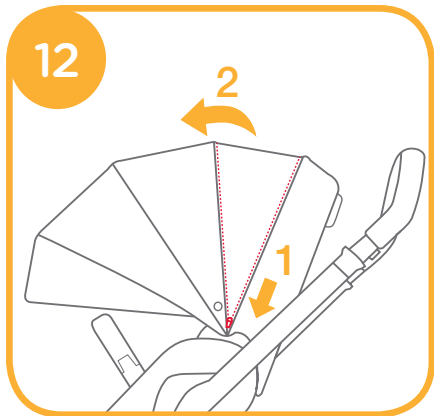
chrome™

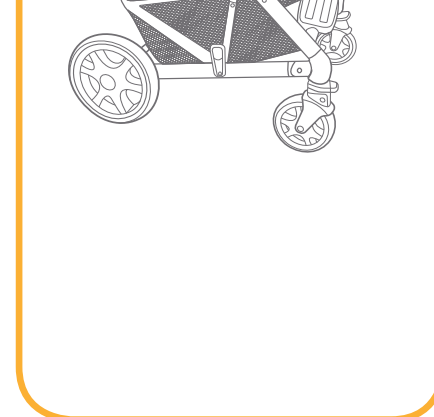
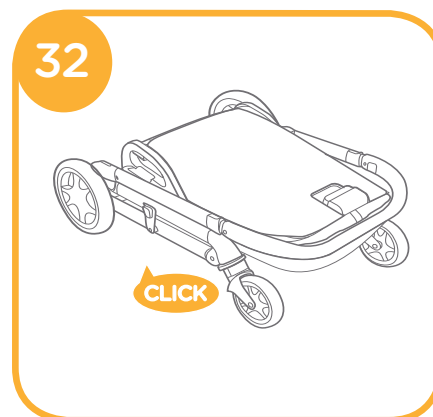
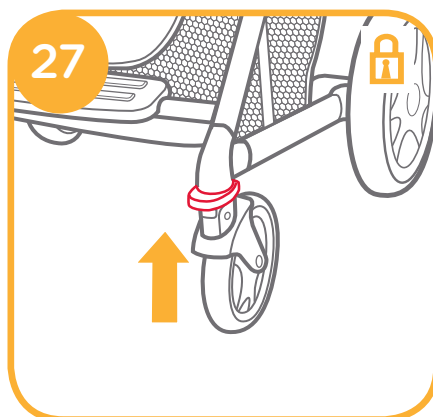
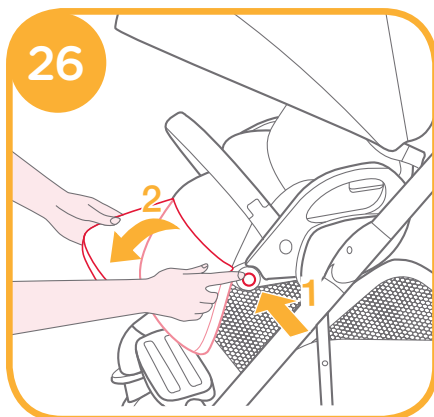
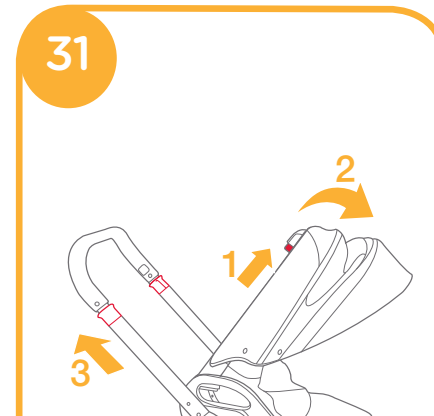
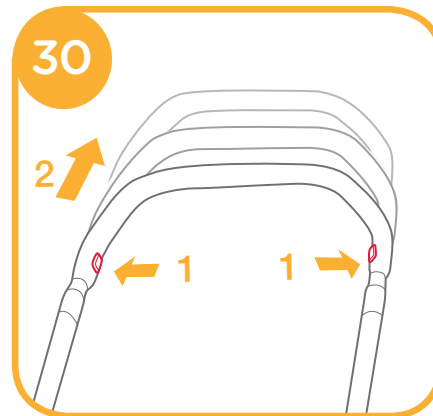
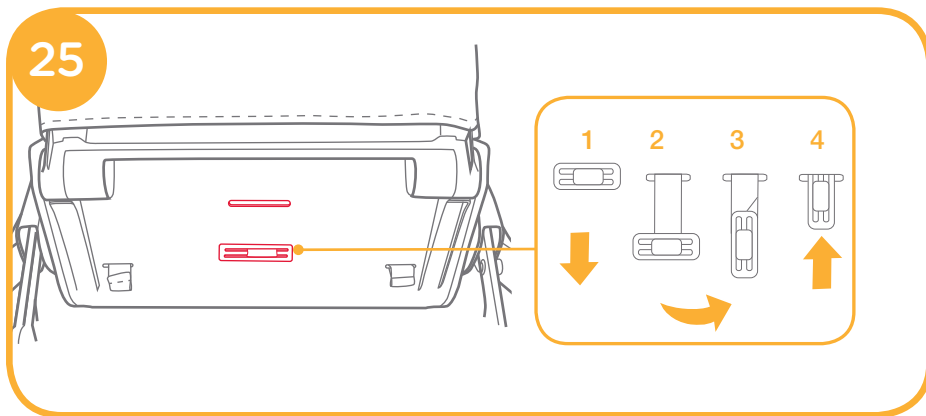
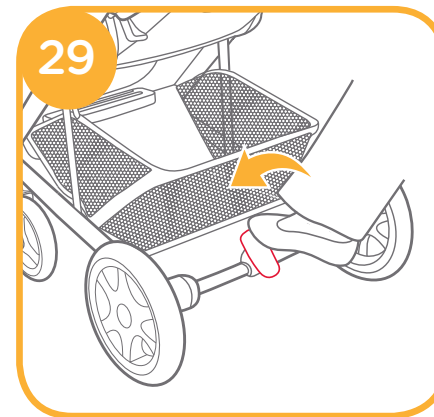
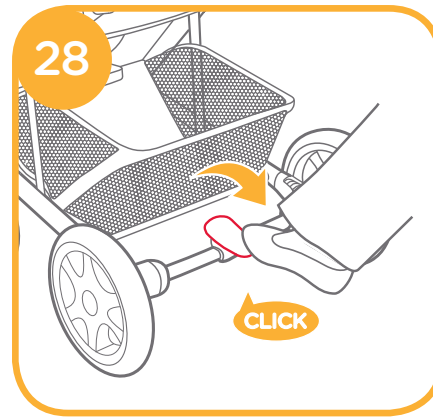
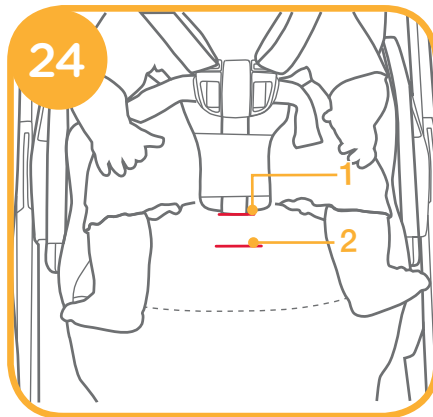
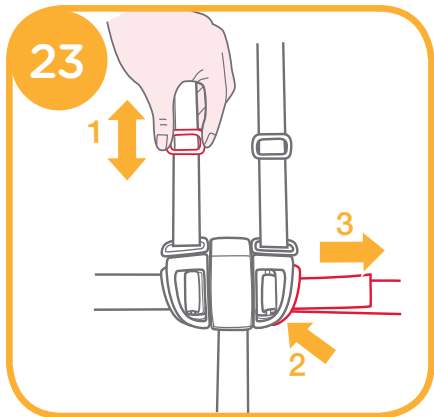
stroller

- GB Instruction Manual
- PT Manual de Instruções
- ES Manual de instrucciones
- FR Mode d'emploi
- DE Bedienungsanleitung
- NL Handleiding
- IT Manuale di istruzioni
- TR Kullanma kalvuzu
- KO 사용설명서
- EL Εγχειρίδιο Οδηγιών



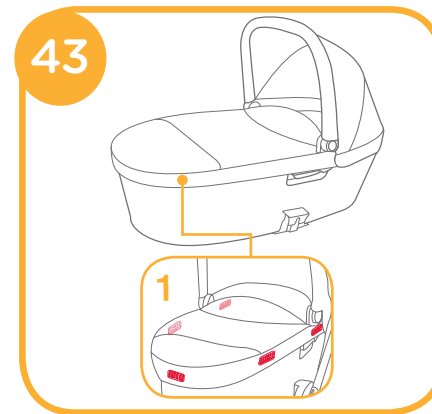
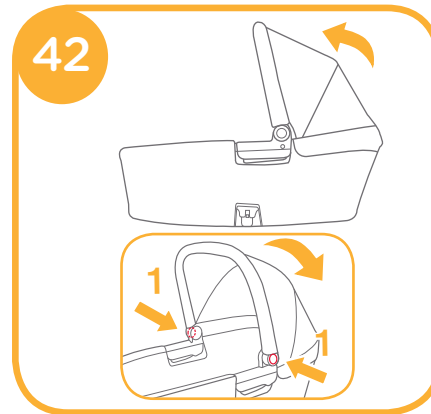
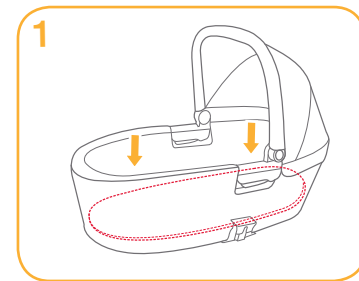
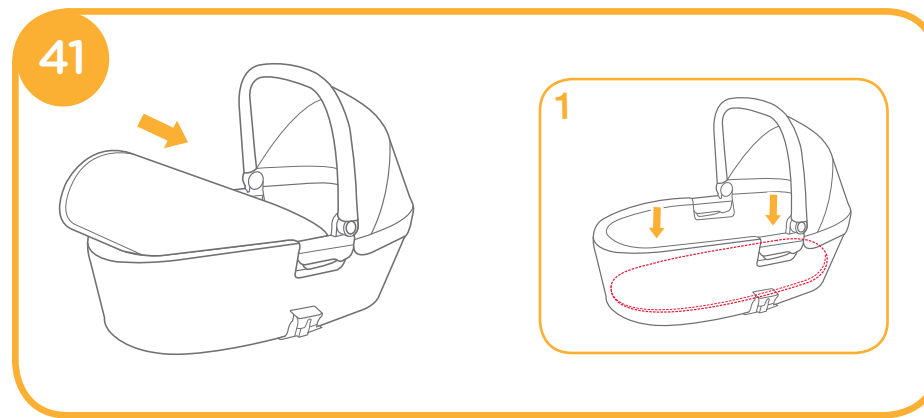
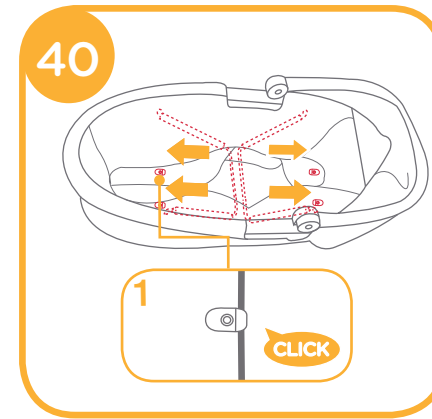
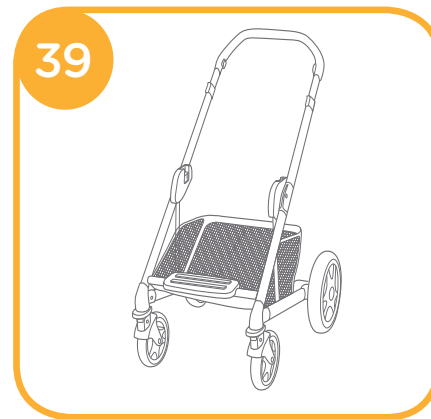
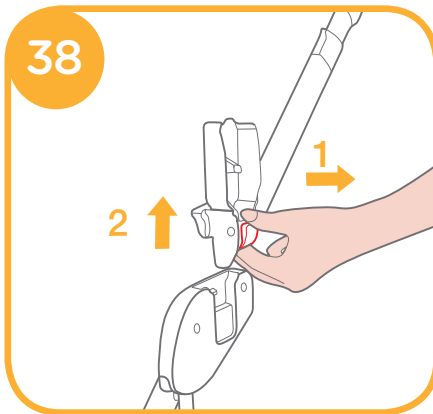
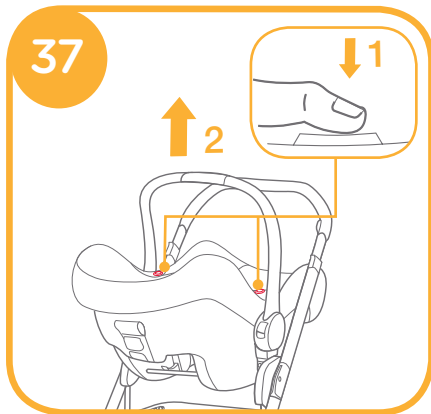
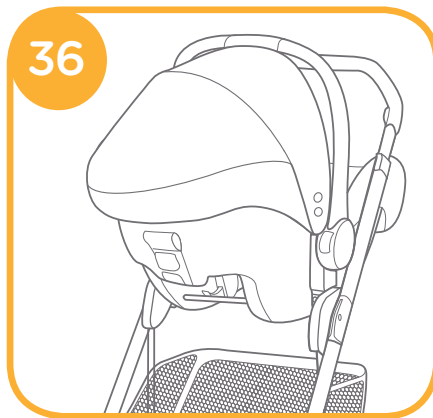
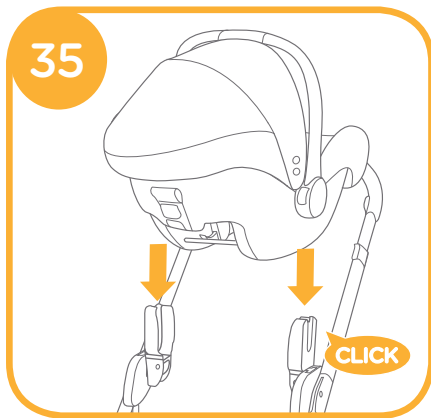
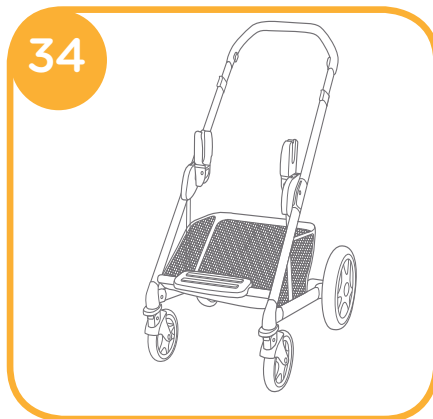
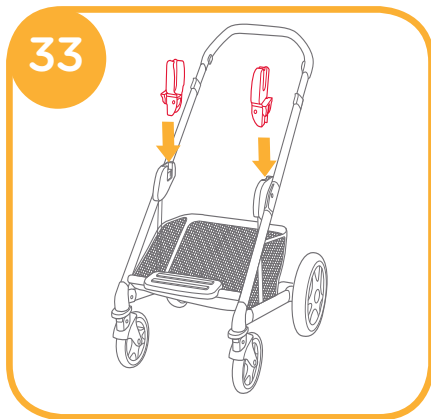


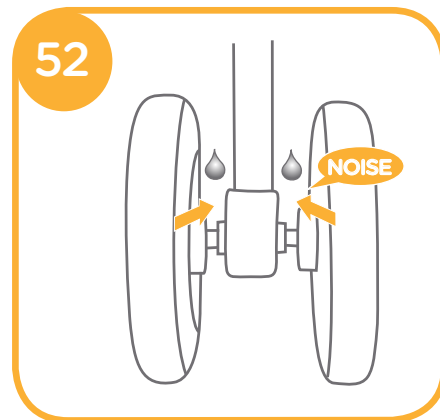
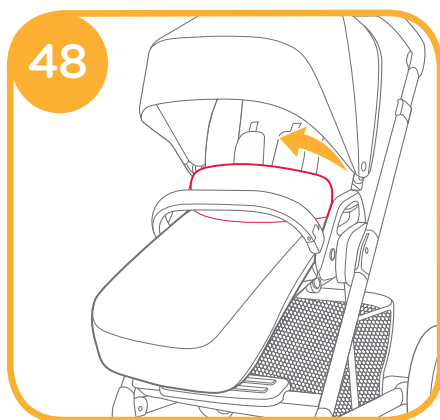
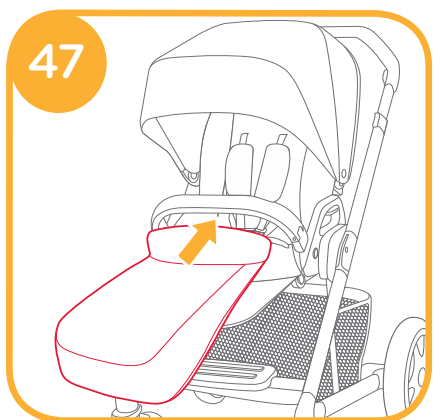
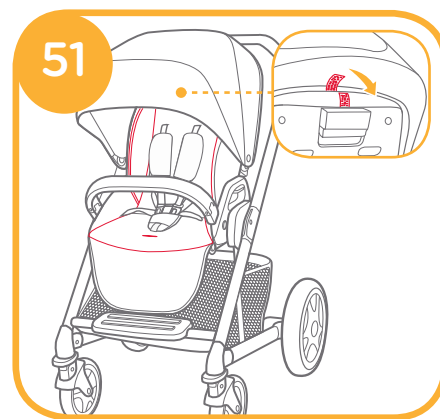
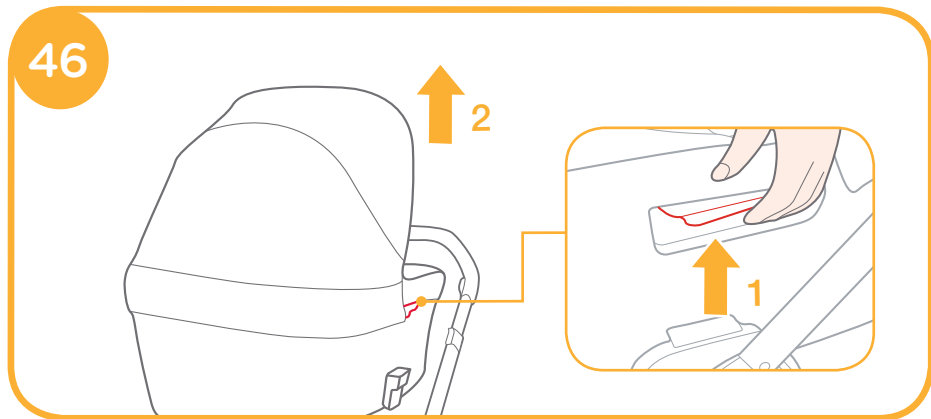
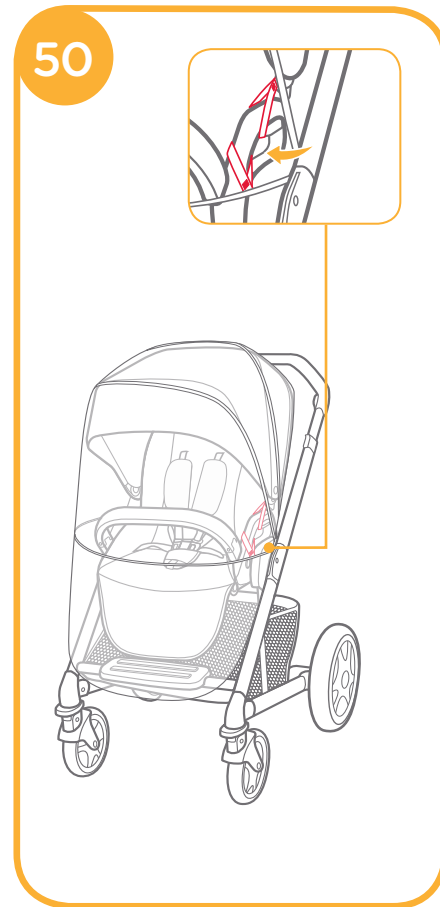
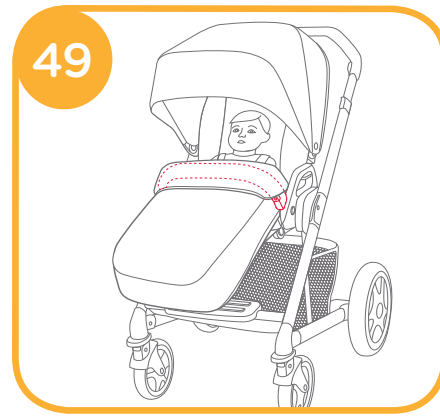
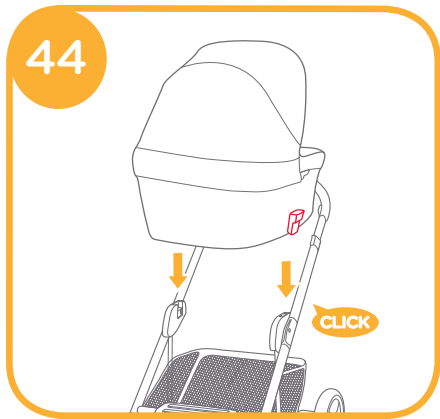




Accessories (May not be included in purchase)

Accessories may be sold separately or may not be available depending on region.





Care and Maintenance

Congratulations on becoming part of the Joie family! We are so excited to be part of your journey with your little one. While traveling with the Joie chrome™, you are using a high quality, fully certified stroller, approved to European safety standards EN 1888-2012 and can be used with Joie Chrome carry cot which approved to EN 1466:2014/AC:2015. This product is suitable for use with children weighing under 15kg. Please carefully read this manual and follow each step to ensure a comfortable ride and best protection for your child.

IMPORTANT - Keep these instructions for future reference.

Visit us at joiebaby.com to download manuals and see more exciting Joie products!

Contents

Figures	1-10
WARNING	13
Stroller Assembly	14
Open Stroller	14
Assemble Front Wheels	14
Assemble Rear Wheels	14
Assemble Armbar	15
Assemble Hood	15
Stroller Operation	15
Use Hood	15
Switch Seat	15
Adjust Recline	15
Use Buckle	15
Use Shoulder & Waist Harnesses	16
Use Crotch Harness	16
Adjust Calf Support	16
Use Front Swivel Lock	16
Use Brake	16
Adjust Handle	17
Fold Stroller	17
Use Accessories	17
Care and Maintenance	18

Emergency

In case of emergency or accident, it is most important to have your child taken care of with first aid and medical treatment immediately.

Product Information

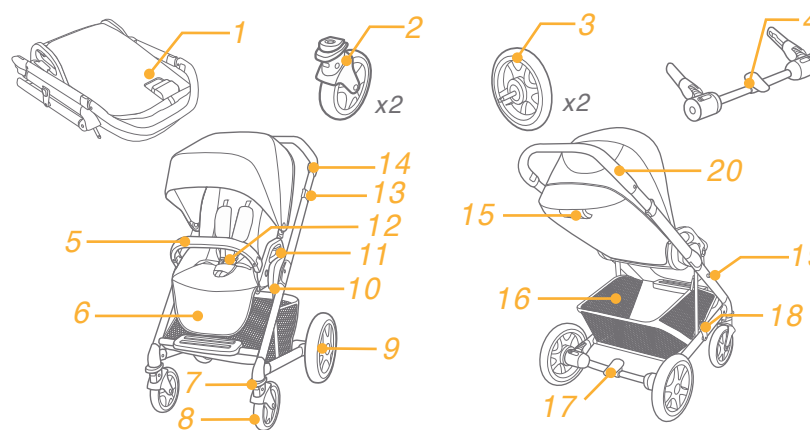
Read all the instructions in this manual before using this product. If you have any further questions, please consult the retailer. Some features may vary depending on model.

Product	Chrome Stroller
Suitable for	Child weighing under 15kg (birth - 36 months)
Materials	Plastics, metal, fabrics
Patent No.	Patents pending
Made in	China
Brand Name	Joie
Website	www.joiebaby.com
Manufacturer	Joie Children's Products (UK) Limited

Parts List

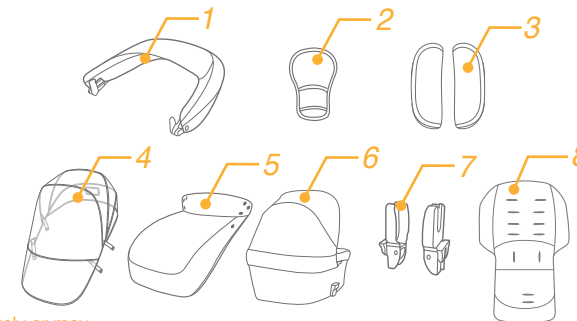
Make sure all parts are available before assembly. If any part is missing, please contact local retailer. No tools are required for assembly.

1 Stroller Frame	7 Swivel Lock	13 Folding Button	18 Storage Latch
2 Front Wheel (X2)	8 Front Wheel	14 Handle Adjustment Button	19 Storage Latch Mount
3 Rear Wheel (X2)	9 Rear Wheel	15 Recline Handle	20 Handle
4 Brake Assembly	10 Seat Mount	16 Storage Basket	
5 Armbar	11 Seat Release Button	17 Brake Lever	
6 Calf Support	12 Buckle		



Accessories (May not be included)

- 1 Hood
- 2 Crotch Harness Pad Cover
- 3 Shoulder Harness Pad Cover
- 4 Rain Cover
- 5 Footmuff Apron
- 6 Carry Cot
- 7 Adapter
- 8 Seat Liner



Accessories may be sold separately or may not be available depending on region.

WARNING

- ! WARNING Always use the crotch combination with the waist belt. It is suggested that the shoulder harnesses be used as well.
- ! WARNING Ensure that all the locking devices are engaged before use.
- ! WARNING Do not let your child play with this product.
- ! WARNING Check that the pram body or seat unit attachment devices are correctly engaged before use.
- ! Adult assembly required.
- ! Use the stroller with a child weighing less than 15kg. It will cause damage to the stroller with an unfitted child.
- ! To prevent a hazardous, unstable condition, do not place more than 4.5kg in the storage basket.
- ! Never leave child unattended. Always keep child in view while in stroller.
- ! Use the stroller with only one child at a time. Never place purses, shopping bags, parcels or accessory items on the handle or hood.
- ! Overloading, folding incorrectly, or using component parts from other manufacturers may cause the stroller to be damaged, broken or unsafe. Please read the instruction manual carefully.
- ! Never use it along with component parts from other manufacturers.
- ! Please read all the instructions in the manual before using the product. Please save instruction manual for future use. Failure to follow these warnings and instructions may result in serious injury or death.
- ! Safety belts and restraint systems must be used correctly.
- ! To avoid serious injury from falling or sliding out, always use seat belt.
- ! Make sure your child's body is clear from the moving parts when adjusting the stroller.
- ! Child may slip into leg openings and be strangled if the harness is not used.
- ! Never use stroller on stairs or escalators.
- ! Keep away from high temperature objects, liquids, and electronics.
- ! Never allow your child to stand on the stroller or sit in the stroller with head toward front of stroller.
- ! Never place the stroller on roads, slopes or dangerous areas.
- ! Do make sure all mechanisms are fixed before using the stroller.
- ! To avoid strangulation, DO NOT place items with a string around your child's neck, suspend strings from this product, or attach strings to toys.
- ! To prevent tipping DO NOT put anything on the handle.
- ! DO NOT lift stroller while child is in stroller.
- ! DO NOT use storage basket as a child carrier.
- ! To prevent tipping, never let child climb the stroller. Always lift the child in and out of the stroller.
- ! To avoid injury, ensure that your child is kept away when unfolding and folding this product.
- ! Be sure the stroller is fully open or folded before allowing child near the stroller.
- ! To ensure your child's safety, please make sure all parts are assembled and fastened properly before using the stroller.
- ! To avoid strangulation, do make sure your child is clear from the hood.
- ! Always engage the brakes when parking the stroller.

- ! Discontinue using stroller if it is damaged or broken.
- ! Stroller to be used only at walking speed. This product is not intended for use while jogging.
- ! To avoid suffocation, remove plastic bag and packaging materials before using this product. The plastic bag and packaging materials should then be kept away from babies and children.
- ! This product is not suitable for running or skating.
- ! Pushchair designed to be used from birth shall recommend the use of the most reclined position for new born babies.
- ! The parking device shall be engaged when placing and removing children.
- ! Carry cot is only suitable for a child who cannot sit up unaided, roll over and cannot push itself up on its hands and knees. Maximum weight of the child: 9kg.
- ! Do not let other children play unattended near the carry cot.
- ! Carry cot is NOT to be used for long term sleeping.
- ! DO NOT use or add any mattress other than the one supplied with the carry cot.
- ! For child restraints used in conjunction with a chassis, this vehicle does not replace a cot or a bed. Should your child need to sleep, then it should be placed in a suitable pram body, cot or bed.
- ! Please make sure that the head of the child in the carry cot should never be lower than the body of the child.
- ! Please make sure that the handle is in the correct position of use before carrying or lifting.
- ! The handles and the bottom of the carry cot should be inspected regularly for signs of damage and wear.

Stroller Assembly

Please read all the instructions in this manual before assembling and using this product.

Open Stroller

Separate storage latch from storage latch mount **1**, and then lift the handle upwards **2**, a click sound means the stroller is open completely. Press the recline handle on the back of backrest to rotate the backrest to vertical position. **3**

- ! Check that the stroller is completely open before continuing.

Assemble Front Wheels

Assemble front wheels to front legs. Check that wheels are securely attached by pulling on wheel assemblies. **4**

To disassemble front wheel, detach front wheel from front leg **5** - **2** while pressing the release button. **5** - **1**

Assemble Rear Wheels

Assemble brake assembly to rear legs **6**, assemble rear wheels to brake assembly **7**. Pull the basket tube backward and wrap the connecting tube of rear legs with the flap of the storage basket, and then snap the three buttons **8** - **1**.

- ! Check that wheels are securely attached by pulling on wheel assemblies.

To disassemble rear wheel, detach rear wheel from rear wheel mount **7** - **2** while pressing the release button.

7 - **1**

Assemble Armbar

Align the armbar ends with the armbar mounts, and then insert to lock. **9**

To disassemble armbar, press armbar release button **10 - 1**, and then pull out the armbar. **10 - 2**

Assemble Hood

To assemble hood, insert clips into mount, then attach 2 pairs of buttons. **14**

The completely assembled stroller is shown as **11**

Stroller Operation

Use Hood

Open the zipper, then push the Hood forwards to open the Hood. **12**

To fold the hood, pull hood toward back.

To remove hood, detach clips from mount while pressing the fixing tab **13**, then detach 2 pairs of buttons (used to attach the hood fabric to the seat) now lift of the hood. **14**

! Once fitted, removing the hood on a regular basis is not recommended.

Switch Seat

The seat can be switched, which makes mother and child can face to face with each.

Squeeze the seat release buttons while lifting the seat. **15** Turn the seat to reverse direction, and then insert the seat to seat mounts. **16**

Adjust Recline

There are 5 positions for the backrest.

To recline the backrest, squeeze the adjustment button **17 - 1**, and then adjust the backrest to a desired angle. **17 - 2**

To raise the backrest, push up.

! Make sure the recline is set properly for use.

Use Buckle

Release Buckle

Press the center button to release the buckle. **18**

Lock Buckle

Match the waist belt buckle with the shoulder buckle **19 - 1**, and click into the center buckle. **19 - 2**
A "click" sound means the buckle is locked completely. **19 - 3**

! To avoid serious injury from falling or sliding out, always secure your child with harness.

! Make sure your child is snugly secured. The space between the child and the shoulder harness is about the thickness of one hand.

! Do not cross the shoulder belts. This will cause pressure on child's neck.

Use Shoulder & Waist Harnesses

! In order to protect your child from falling out, after your child is placed into the seat, check whether the shoulder and waist harnesses are at proper height and length.

20 - 1 Shoulder harness anchor A

20 - 2 Shoulder harness anchor B

20 - 3 Slide adjuster

For larger child, use shoulder harness anchor A and the highest shoulder slots. For smaller child, use shoulder harness anchor B and the lowest shoulder slots.

To adjust the position of the shoulder harness anchor, turn the anchor to be level with the side facing forward. Thread it through the shoulder harness slot from back to front. **21** Rethread it through the slot that is closest to child's shoulder height. **22**

Use slide adjuster to change the harness length. **23 - 1**

Press the button **23 - 2**, while pulling the waist harness to proper length. **23 - 3**

Use Crotch Harness

There are 2 positions the crotch strap can be adjusted to according to the requirements of the child.

Position 1 Smaller babies use this position **24 - 1**

Position 2 Larger babies use this position **24 - 2**

i. Pull the crotch harness out and place it to be level. **25 - 1 & 25 - 2**

ii. Rotate the crotch harness anchor to make the short side forwards, then thread it through the crotch harness slot. **25 - 3 & 25 - 4**

iii. Rethread it through the slot that is closest to child's crotch from the front of the crotch harness. **24**

Adjust Calf Support

The calf support has 2 positions.

Raise Calf Support

To raise the calf support, just push it upwards.

Lower Calf Support

Press the adjustment buttons on both sides of the calf support **26 - 1**, and rotate the calf support downwards. **26 - 2**

Use Front Swivel Lock

Push up the front swivel locks to maintain the moving direction. **27**

Tip It is recommended to use swivel locks on uneven surfaces.

Use Brake

To lock wheels, step the brake lever downwards. **28**

To release wheels, just lift the brake lever upwards. **29**

Tip Always apply brake when stroller is in stopped position.

Adjust Handle

The handle has 3 positions.

To adjust the height of the handle, pull the handle upward or downward **30 - 2** while pressing the handle adjustment button. **30 - 1**

Fold Stroller

! Please fold the hood before folding the stroller.

Press the recline handle on the back of backrest to rotate the backrest to horizontal position. **31**

Lift the folding button, step the folding pedal downwards, push the stroller forward to fold **31**.

The storage latch will automatically hook onto the storage mount, then the stroller is folded and locked completely. **32**

Use Accessories

Accessories may be sold separately or may not be available depending on region.

Use with Joie Child Restraint

When using with Joie child restraint gemm, please refer to the following instructions.

1. To attach adapter, place adapter onto mounts as show **33**, A "click" sound means the adapter is locked completely. **34**
2. To attach child restraint, place child restraint onto adapter as show **35**, A "click" sound means the child restraint is locked completely. **36**
3. To remove child restraint, lift the child restraint upwards **37 - 1** while pressing the two stroller fix release buttons A. **37 - 2**

! If you have any problems about using the stroller and the adapter, please refer to their own instruction manuals.

! To remove adapter, lift the adapter upwards **38 - 2** while pressing the two release buttons. **38 - 1**

! Remove the adapter show as **39**

! Please don't fold stroller when attaching the child restraint.

Use Carry Cot

Carry Cot Assembly

1. Open the wire support on both side of the carry cot **40**, Then click the wire into the four plastic parts, A "Click" sound means the wire support is secure. **40 - 1**
Place the mattress into the carry cot, **41** and smooth it down. **41 - 1**
! Always use the mattress when using the carry cot.
! Mattress cover can easily be removed to wash.
2. Adjust carry cot hood
Open the hood and pull the front end to secure. **42**
Close the hood by pressing the folding buttons on either side. **42 - 1**
3. Assembly carry cot apron
Place the apron over the carry cot, then attach the 5 pairs of hook and loop fasteners. **43 - 1**
Carry cot assembled completely as **43**

Attach Carry Cot onto Chassis

- Align the sides of the carry cot with the adapters on the frame.
Place the carry cot directly down until it clicks into place. **44**
A click sound means carry cot assembled completely. **45**

! Always remove the adapters before using the carry cot.

! Please don't fold stroller when attaching the carry cot.

Remove Carry Cot

Press release buttons on both side of carry cot **46 - 1**, and then lift it upwards. **46 - 2**

Use Footmuff Apron

The soft footmuff apron can provide your child with a warm and comfortable sleeping environment.

Assemble the footmuff apron by following these steps.

1. Adjust the calf support and backrest to level position and recline position respectively before assembling footmuff apron. **47**
2. Cover the calf support with footmuff apron. **48**

The assembled footmuff apron is shown as **49**

Use Rain Cover

To assemble the rain cover, place it over the stroller, and then attach it on the armrest by 4 pairs of hook and loop fasteners. **50**

! Before using the rain cover, to be make sure the seat has been fastened.

! When using the rain cover, please always check its ventilation.

! When not in use, please check that the rain cover has been cleaned and dried before folding.

! Do not fold the stroller after assembling the rain cover.

! Do not place your child into the stroller assembled with rain cover during hot weather.

! To be used under adult supervision. Do not use on a pushchair without a canopy.

Use Seat Liner

see images **51**

Use Shoulder Harness Pad Cover and Crotch Harness Pad Cover

The shoulder harness pad cover or crotch harness pad cover can be removed from the webbing. Simply reverse these steps to re-assemble shoulder harness and crotch harness pad cover.

Care and Maintenance

! Removable seat pad may be washed in cold water and drip-dried. No bleach.

! To clean stroller frame, use only household soap and warm water. No bleach or detergent.

! From time to time, check your stroller for loose screws, worn parts, torn material or stitching. Replace or repair the parts as needed.

! Excessive exposure to sun or heat could cause fading or warping of parts.

! If stroller becomes wet, open hood and allow to dry thoroughly before storing.

! If wheels squeak, use a light oil (e.g., Silicon Spray, antirust oil, or sewing machine oil). It is important to get the oil into the axle and wheel assembly. **52**

! When using your stroller at the beach, completely clean your stroller after use to remove sand and salt from mechanisms and wheel assemblies.

Parabéns para tornar-se parte da família Joie! Estamos muito felizes de participar com você na viagem de sua criança. Enquanto viajar com Joie chrome™ você use um carrinho de crianças de alta qualidade, inteiramente certificado, aprovado pela normas de segurança europeias EN 1888-2012 & e pode ser utilizado com a cadeira de auto Joie Chrome que é aprovado com EN 1466:2014/AC:2015. Este produto é adequado para crianças com peso abaixo de 15 kg. Leia atentamente este manual e siga todos os passos para garantir uma viagem confortável e a melhor proteção para a sua criança.

! IMPORTANTE-Guardar este manual de instruções para referências futuras

Visite-nos a joiebaby.com para baixar manuais de instruções e para ver mais produtos maravilhosos Joie!

Conteúdo

Figuras	1-10
AVISOS	21
Montagem do carrinho	22
Abertura do carrinho	22
Montagem rodas dianteiras	22
Montagem rodas traseiras	23
Montagem da capota	23
Asamblare bară pentru mâini	23
Manobra do carrinho	23
Utilize a capota	23
Ajuste carrinho	23
Ajuste inclinação	23
Uso da fivela	24
Utilização dos cintos para ombro e cintura	24
Ajuste do cinto entrepernas	24
Ajuste suporte para pernas	24
Utilização dispositivo de bloqueio eixo dianteiro	24
Utilização do freio	25
Ajuste da alça	25
Dobramento do carrinho	25
Utilização acessórios	25
Cuidado e Manutenção	27

Emergências

Em caso de emergência ou acidente, o mais importante é cuidar da sua criança dando os primeiros socorros imediatos e tratamento médico.

Informações sobre o produto

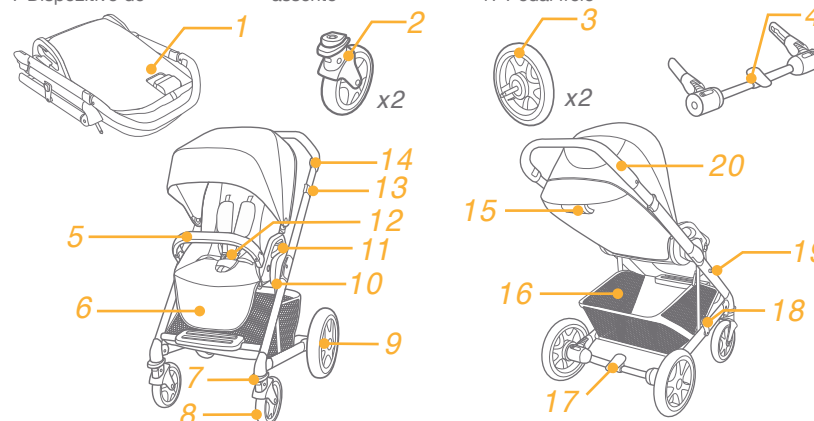
Leia todas as instruções deste manual antes de usar o produto. Se tiver outras perguntas, contacte o seu comerciante. Alguns componentes podem variar segundo o modelo.

Produto	Carrinho para crianças Chrome
Adequado para	Criança com peso máximo até 15 kg (desde o nascimento – 36 meses)
Materiais	Materiais plásticos, metal, tecidos
Patente no	Pendente
Produzido em	China
Nome marca	Joie
Site web	www.joiebaby.com
Fabricante	JoieChildren's Product (UK) Limited

Lista peças componentes

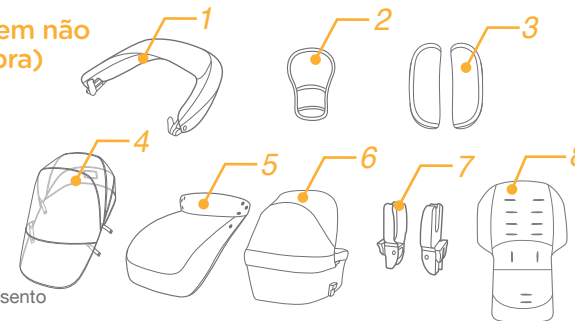
Antes da montagem certifique-se que todas as peças estão disponíveis. Em caso de falta de peças, entre em contato com seu distribuidor local. Não são necessárias ferramentas para a montagem.

1 Quadro carrinho	bloqueio eixo	12 Fivela	18 Fecho
2 Roda dianteira (X2)	8 Roda dianteira	13 Arnês para ombro	armazenamento
3 Roda traseira (X2)	9 Roda traseira	14 Botão para dobrar	19 Dispositivo
4 Conjunto freio	10 Dispositivo de	15 Botão ajuste alça	montagem fecho
5 Barra para os mãos	montagem assento	16 Cesto de	20 Alça
6 Apoio para pés	11 Botão de liberação	armazenamento	
7 Dispositivo de	assento	17 Pedal freio	



Acessórios (Podem não estar inclusos na compra)

- 1 Capota
- 2 Proteção para entrepernas
- 3 Proteção para ombros
- 4 Capa de chuva
- 5 Cobrir pés
- 6 Mosés
- 7 Adaptador
- 8 Revestimento acolchoado do assento



AVISOS

- ! AVISO Use sempre o divisor entrepernas com a cintura. Sugerimos que você use também os arnês para ombro.
- ! ATVISO Antes de usar o produto, certifique-se que são ativados todos os dispositivos de bloqueio.
- ! AVISO Não deixe a criança a jogar com o produto.
- ! AVISO Antes de utilização, verifique que os dispositivos de fixação da cadeira e do corpo do carrinho sejam fixados corretamente.
- ! É necessário o montagem por um adulto.
- ! O carrinho é para uma criança com peso inferior a 15 kg. Uma criança com um peso inadequado pode danificar o assento.
- ! Para evitar situações de risco, instáveis, não coloque mais de 4,5 kg na caixa de armazenamento.
- ! Não deixe a criança sem supervisão. Sempre que seu filho está no carrinho não deixe-o sem supervisão.
- ! Utilize o carrinho para só uma criança. Nunca coloque malotes, sacos de compras, pacotes ou acessórios sobre a alça ou capota.
- ! Em caso de sobrecarga, o dobramento incorreto ou o uso de elementos constituintes de outros fabricantes, isso pode causar danos, ou prejudicar o carrinho. Leia atentamente o manual de instruções
- ! Nunca use o carrinho com peças de outros fabricantes.
- ! Leia todas as intruções do manual antes de usar o produto. Guarde o manual de instruções para referência futura. A falta de respeito destes avisos e instruções pôde levar a lesões graves ou morte.
- ! Os cintos de segurança e os sistemas de fixação devem ser corretamente usados.
- ! Para evitar ferimentos graves causados por quedas ou deslizamento, use sempre cintos de segurança.
- ! Certifique-se que, ao ajustar o carrinho, a criança não esteja ao lado das parte móveis.
- ! A criança pode deslizar através das aberturas para as pernas e pode ser estrangulado, se os cintos de segurança não são usados.
- ! Nunca use o carrinho nas escadas ou nas escadas rolantes.
- ! Mantenha longe de objetos de alta temperatura, líquidos e aparelhos eletrônicos.
- ! Nunca permita que uma criança levanta-se de pé ou seja sentada com a cabeça orientada para a frente do carrinho.
- ! Nunca deixe o carrinho na rua, em declive ou em áreas de risco.
- ! Certifique-se que todos os mecanismos são fixados antes de usar o carrinho.
- ! Para evitar estrangulamento, NÃO coloque objetos com a cordas ao redor do pescoço da criança, elementos pendentes do produto e não anexe cordas aos brinquedos.
- ! Para evitar capotamento, NÃO coloque nada sobre o cabo.
- ! Não levante o carrinho, quando a criança estiver nele.
- ! NÃO utilize o cesto para carregar a criança.
- ! Para evitar a derrubada, nunca deixe sua acriança a subir no carrinho. Leve sua criança de e no cesto.

- ! Para evitar a prensão dos dedos, avrir e dobrar com cuidado o carrinho.
- ! Certifique-se de que este carrinho está completamente aberto ou dobrado antes de permitir à sua criança aproximar-se do carrinho.
- ! Para garantir a segurança da criança, certifique-se de todas as peças estiverem montadas e fixadas bem antes de usar o carrinho.
- ! Para evitar estrangulamento, certifique-se que a criança não estiver perto da capota.
- ! Quando você parar o carro, sempre ativar os freios.
- ! Pare de usar o carrinho se ele estiver danificado ou quebrado.
- ! O Carrinho pode ser utilizado apenas para velocidade da marcha normal. O produto não é destinado para uso durante a corrida.
- ! Para evitar sufocamento, remova todos os sacos e embalagens de plástico antes de usar o produto. Os sacos e as embalagens em plástico devem ser mantidos longe de bebês e crianças.
- ! Este produto não é destinado para uso durante a corrida ou patinação.
- ! O carrinho é projetado para ser usado desde o nascimento, e para os recém-nascidos é recomendada a posição de inclinação máxima.
- ! O dispositivo de estacionamento deve ser activado quando colocar ou retirar a criança do carrinho.
- ! O mosés é adequado só para uma criança que não pode levar-se sem ajuda, rolar-se ou levar-se com a ajuda das mãos ou dos joelhos. O peso máximo da criança: 9 kg
- ! O mosés NÃO deve ser usado para os períodos de sono prolongados.
- ! NÃO acrescente ou utilize outro colchão que aquilo fornecido junto com o mosés.
- ! Para as cadeiras de carro utilizadas junto com o chassis, este veículo não substitui uma cama portátil para crianças ou uma cama. Se seu filho precisa dormir, coloque-o em um carrinho, cama portátil para crianças ou cama adequado.
- ! as alças e a base devem ser inspecionadas regularmente para sinais de dano edesgaste.
- ! Por favor, certifique-se de que a cabeça da criança no carrinho nunca deve fica mais abaixo que o corpo da criança.
- ! Por favor, certifique-se de que a alça está na posição correta de uso antes de carregar ou elevar.

Montagem do carrinho

Leia todas as instruções contidas neste manual antes de montar e usar este produto.

Abertura do carrinho

Separe o fecho de armazenamento do suporte de armazenamento ❶ e leve o cabo acima ❷, um clique significa que o carrinho está completamente aberto. Gire o encosto em posição vertical. ❸

- ! Antes de continuar, verifique se o carrinho está completamente aberto.

Montagem das rodas dianteiras

Monte as rodas dianteiras nos suportes dianteiros. Verifique se as rodas são afixadas adequadamente puxando

dos conjuntos da roda. **4**

Para desmontar a roda dianteira, separe a roda dianteira do suporte de frente **5 - 2** pressionando para a fora os elementos de liberação. **5 - 1**

Montagem das rodas traseiras

Monte o conjunto do freio às rodas traseiras **6**, alinhe as rodas traseiras ao conjunto do freio **7**. Puxe o tubo do cesto para trás e envolva o tubo de acoplamento no suporte do cesto de armazenamento e após pressione os três botões **8 - 1**.

! Verifique se as rodas são afixadas adequadamente puxando dos conjuntos da roda.

Para desmontar a roda traseira, separe a roda traseira do suporte traseiro **7 - 2** pressionando o botão de liberação. **7 - 1**

Montagem da alça

Alinhe as extremidades da alça com os suportes da alça e após insira-os para bloqueá-las. **9**

Para desmontar a alça pressione o botão de liberação **10 - 1**, e após puxe a alça para as mãos. **10 - 2**

Montagem da capota

Insira os ganchos da capota nos suportes dos tubos e após fixe o suporte de trás no encosto com as 2 bandas elásticas. **14**

À figura **11** está apresentado o carrinho completamente montado.

Manobra do carrinho

Utilize a capota

Abra o fecho e pressione a capota para a frente para a abrir. **12**

Para recolher a capota, puxe-a para trás.

Para retirar a capota, retire os grampos da unidade enquanto pressiona a patilha de fixação e **13**, de seguida, abra os 2 botões (utilizados para fixar o tecido da capota ao assento). Pode erguer a capota. **14**

! Não é recomendável retirar a capota regularmente uma vez encaixada.

Ajuste do assento

O assento pode ser ajustado assim que a mãe e a criança podem sentar face a face.

Pressione os botões do assento enquanto levar o assento. **15** Gire o assento em posição oposta e insira o assento nos suportes para assento. **16**

Ajuste inclinação

O encosto tem 5 ângulos

Para inclinar o encosto pressione o botão de ajuste **17 - 1** e após ajuste o encosto ao ângulo desejado. **17 - 2**

Para levar o encosto, empurre-o acima.

! Certifique-se de que a inclinação está ajustada adequadamente.

Uso da fivela

Liberação fivela

Pressione o botão central para liberar a fivela. **18**

Blocare cataramã

Ajuste a fivela para a cintura com aquila para ombro **19 - 1** e insira-os na fivela central **19 - 2**. Um clique significa o bloqueio completo da fivela. **19 - 3**

! Sempre fixe a criança com os cintos de segurança, para evitar lesões graves que podem ocorrer em caso de cair ou escorregar.

! Ofereça segurança à sua criança adequadamente. O espaço entre a criança e os cintos de ombro é da espessura de uma mão.

! Não cruze os cintos de ombros. Isso produzirá pressão sobre o pescoço da criança..

Utilização dos cintos para ombro e cintura

! Para proteger a criança de cair, depois de colocá-lo no assento, verifique se os cintos de ombro e cintura são à altura e comprimento adequados..

20 - 1 Dispositivo de fixação arnês para ombro A

20 - 2 Dispositivo de fixação arnês para ombro B

20 - 3 Dispositivo de ajuste por deslizamento

Para crianças mais grandes, use o dispositivo de fixação do cinto de segurança para ombros A e os orifícios mais acima. Para as crianças mais pequenos, use o dispositivo de fixação do cinto de segurança e os orifícios do baixo.

Para ajustar a posição use o dispositivo de fixação do cinto de segurança para ombros, gire o dispositivo ao nível da parte dianteira. Tire o dispositivo através o orifício para os cintos de trás para a frente. **21** Passe-o de novo através o espaço mais próximo da altura do ombro da criança. **22**

Use o dispositivo de ajuste para mudar o comprimento do arnês. **23 - 1**

Pressione o botão **23 - 2** enquanto afixe o arnês para cintura ao comprimento adequado. **23 - 3**

Ajuste do cinto entrepernas

Há 2 posições para o ajuste do cinto entrepernas, de acordo com exigências diferentes.

Posição 1 Para bebês menores **24 - 1**

Posição 2 Para os bebês maiores **24 - 2**

i. Puxe do cinto entre-pernas e coloque-o ao nível. **25 - 1 & 25 - 2**

ii. Gire o clipe do cinto entre-pernas para trazer a parte mais curta na frente, em seguida passá-la através a fenda do cinto. **25 - 3 & 25 - 4**

iii. Passe de novo através a fenda mais próxima à região inguinal da criança perante o cinto entre-pernas. **24**

Ajuste do suporte para pernas

O suporte tem 2 posições.

Levar o suporte para pernas

Para levar o suporte para pernas, puxe-o acima.

Baixar o suporte

Pressione os botões de ajuste nas duas partes do suporte **26 - 1**, e gire o suporte para pernas para baixo. **26 - 2**

Utilização dispositivo de bloqueio eixo dianteiro

Puxe os dispositivos de bloqueio do eixo frontal para manter a direção de movimento.. **27**

Dica Recomenda-se a utilização do dispositivo de bloqueio do eixo em superfícies irregulares.

Utilização do freio

Para bloquear as rodas, pressione o pedal de freio para baixo **28**

Para liberar as rodas, puxe o pedal de freio **29**

Dica Use o freio sempre que o carrinho está parado.

Ajuste alça

A alça tem 3 posições.

Para reglar a altura da alça puxe a alça acima ou para baixo **30 - 2** pressionando o botão de ajuste da alça. **30 - 1**

Dobramento do carrinho

! Antes de dobrar o carrinho, dobre a capota.

Pressione o cabo de inclinação na parte traseira do apoio das costas para o posicionar na horizontal. **31**

Leve o botão de dobramento, pressione para baixo no pedal de dobramento pressione o carrinho para a frente para dobrá-lo. **31**

O fecho para armazenamento vai se prender automaticamente do suporte de armazenamento, e após o carrinho pode ser dobrado e bloqueado completamente. **32**

Utilização acessórios

Os acessórios podem ser comercializadas separadamente ou podem não estar disponíveis dependendo da região.

Utilização cadeira de carro Joie

Á utilização junto com a cadeira de carro Joie gemm consulte as instruções de baixo.

1. Afixe o adaptador, coloque o adaptador em suportes como está apresentado em **33** Um clique significa que o adaptador é completamente bloqueado. **34**

2. Para afixar a cadeira de carro, coloque a cadeira de carro seguindo **35**. Um clique significa que a cadeira de carro é completamente bloqueado. **36**

3. Para remover a cadeira de carro, leve a cadeira **37 - 1** pressionando os dois botões de liberação do carrinho A **37 - 2**

! Se tiver qualquer problemas com a utilização do carrinho e do adaptador consulte os manuais de instruções destes.

! Para remover o adaptador leve-o **38 - 2** pressionando os dois botões de liberação. **38 - 1**

! Remova o adaptador como apresenta-se em **39**

! Não dobre o carrinho á afixação da cadeira de carro.

Utilização mosés

Montagem mosés

1. Abra o suporte para fio dos ambos os lados do mosés **40**. Após fixe o fio nas quatro parte em plástico. Um clique significa que o suporte para fio é fixado. **40 - 1**

Coloque o colchão no mosés **41** e coloque-o. **41 - 1**

! Use sempre o colchão ao utilizar o mosés.

! O acolchoamento do colchão pode ser removido ligeiramente para lavagem.

2. Ajuste da capota do mosés.

Abra a capota e puxe o lado de frente para fixar. **42**

Feche a capota pressionando os botões de dobramento de cada os lados. **42 - 1**

3. Montagem da capa do mosés

Coloque a capa sobre o mosés e afixe os 5 pares de ganchos e os laços de fixação. **43 - 1**

O mosés completamente montado está como em **43**

Encaixar o mosés no chassis

Alinhe os lados com os adaptadores no quadro.

Coloque o mosés diretamente até que se encaixe. **44**

Um clique significa que o mosés é completamente montado **45**

! Remover os adaptadores antes de usar o mosés.

! Não dobrar o carrinho enquanto encaixar o mosés.

Remover o mosés

Pressione os botões de liberação dos ambos os lados do mosés **46 - 1**, após leve-o. **46 - 2**

Utilização de cobre pés

Cobre pés macio assegura um ambiente quente e confortável para sua criança.

Monte o cobre pés como segue.

1. Ajuste o pausa-pés e apoio de costas na posição nivelada e posição reclinada respetivamente antes de colocar a cobertura para pernas. **47**

2. Cubra o pausa-pés com a cobertura para pernas. **48**

A cobertura para pernas instalada é semelhante ao ilustrado na imagem **49**

Utilização de capa de chuva

Para instalar a capa de chuva, coloque-a sobre o carrinho e após afixe os 2 pares de ganchos e laços de fixação e os 4 pares de olhós no quadro do carrinho. **50**

! Antes de usar a capa de chuva, certifique-se de que o mosés foi encaixado.

! Enquanto utilizar a capa de chuva, verifique sempre a ventilação.

! Enquanto a capa de chuva não for utilizada, verifique se foi limpa e seca antes de dobramento .

! Não dobre o carrinho após o montagem da capa de chuva.

! Não coloque sua criança no carrinho com a capa de chuva montada na temporada quente.

! Utilizar apenas sob supervisão de um adulto. Não utilizar em um carrinho de bebê sem capota.

Utilize o revestimento acolchoado do assento

Consulte as imagens **51**

Utilize a proteção para ombros e a proteção para entrepernas

Tanto a proteção para ombros como a proteção para entrepernas podem ser removidas dos cintos. Para colocar a proteção para ombros e a proteção para entrepernas siga os passos em ordem inversa.

Cuidado e Manutenção

- ! O acolchoado para o assento removível pode ser lavado com água fria e pode ser secado naturalmente. Sem branqueamento
- ! Para limpar o quadro do carrinho, use somente sabão para uso doméstico e água quente. Sem lixívia ou detergentes.
- ! Verifique periodicamente o carrinho para o desgaste de peças, parafusos soltos, materiais quebrados ou costura. Se necessário, substituir ou reparar as peças.
- ! A exposição excessiva ao sol ou calor pode produzir descoloração ou a deformidade das peças..
- ! Se o carro estiver molhado, retire a capota e deixe-o secar completamente antes do armazenamento.
- ! Se as rodas rangam, utilize óleo mais leve (por exemplo spray de silicone, óleo anti-ferrugem ou óleo de máquina de costura). É importante introduzir óleo no eixo e no sistema de rodas. 🛠️
- ! Ao usar o carrinho na praia, limpe-o inteiramente depois da utilização para remover toda a areia e sal dos mecanismos e das assambléias das rodas.

ES Bienvenido a Joie Joie™

Felicidades por hacer parte de la familia Joie! Estamos encantados de ser parte de los desplazamientos que va a realizar con su hijo. La Joie Chrome es una silla de paseo de alta calidad que cumple con la normativa vigente, que está homologada bajo la normativa europea de seguridad EN 1888-2012 y que puede ser utilizada junto con el capazo Joie Chrome, homologado bajo la normativa EN 1466:2014/AC:2015. Este producto sólo puede utilizarse con niños cuyo peso esté por debajo de 15 Kg. Por favor, lea detenidamente este manual y siga todos los pasos para disfrutar de un paseo confortable, con toda seguridad y con la mejor protección para su hijo.

IMPORTANTE - Guarde estas instrucciones para referencias futuras.

Visítenos en joiebaby.com para descargar manuales de instrucciones y para ver más productos extraordinarios Joie!

Contenido

Figuras	1-10
ADVERTENCIAS	31
Ensamble de la carriola	32
Abrir la carriola	32
Ensamble de las ruedas delanteras	33
Ensamble de las ruedas traseras	33
Ensamble de la cubierta	33
Ensamble de la barra para brazos	33
Uso de la carriola	33
Utilizar el toldo	33
Cambio del asiento	33
Ajuste de la inclinación	34
Uso de la hebilla	34
Uso de arneses para el hombro y la cintura	34
Ajuste del arnés de entrepiernas	34
Ajuste del soporte para las piernas	35
Uso del mecanismo de bloqueo anti-giro delantero	35
Uso del freno	35
Ajuste del mango	35
Pliegue de la carriola	35
Uso de accesorios	35
Atención y mantenimiento	37

Emergencia

En caso de emergencia o accidentes es muy importante cuidar en primer lugar de su niño y darle inmediatamente los primeros auxilios y tratamiento médico.

Informaciones sobre el producto

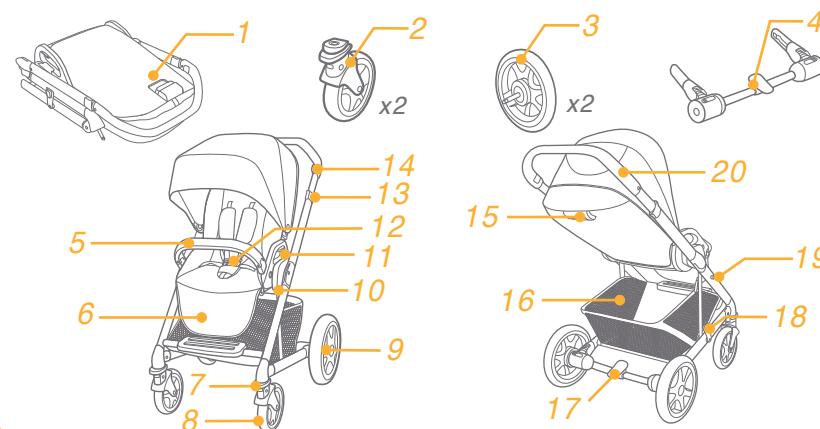
Lea todas las instrucciones de este manual antes de usar el producto. Para preguntas, por favor contacte el distribuidor. Algunas características pueden variar según el modelo.

Producto	Carriola Chrome
Adecuado para	Niños con un peso máximo de 15 kg (del nacimiento – 36 meses)
Materiales	plástico, metal, telas
Nº de patente	en espera
Fabricado en	China
Marca	Joie
Página web	www.joiebaby.com
Productor	Joie Children's Product (UK) Limited

Lista de piezas

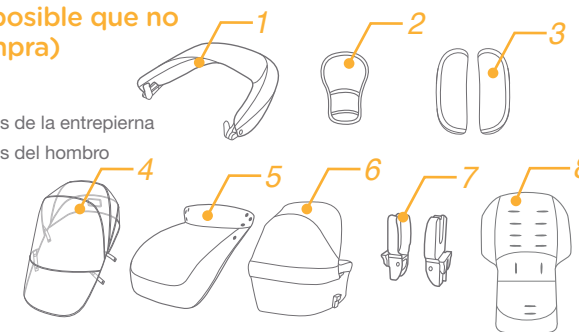
Asegúrese que todas las piezas para el ensamble están disponibles. Si faltan piezas, contacte el comerciante local. No se necesitan utensilios para el ensamblaje.

1 Cuadro de la carriola	7 Bloqueo anti-giro	13 Arnés para hombro	18 Pestillo de almacenamiento
2 Rueda delantera (X2)	8 Rueda delantera	14 Botón de pliegue	19 Soporte del pestillo de almacenamiento
3 Rueda trasera (X2)	9 Rueda trasera	15 Botón de ajuste mango	20 Mango
4 Ensamblaje del freno	10 Soporte del asiento	16 Cesta de almacenamiento	
5 Barra para brazos	11 Botón de suelto del asiento	17 Palanca de freno	
6 Soporte para las piernas	12 Hebilla		



Accesorios (es posible que no se incluyan con la compra)

1 Capota	2 Cubierta almohadillada del arnés de la entrepierna	3 Cubierta almohadillada del arnés del hombro
4 Forro del asiento	5 Cubierta para los pies	6 Del capazo
7 Adaptador	8 Forro del asiento	



ADVERTENCIAS

- ! ATENCIÓN Use siempre el dispositivo de entrepiernas en combinación con el cinturón para la cintura. También se deben usar los arneses para el hombro.
- ! ATENCIÓN Antes del uso, asegúrese que todos los dispositivos de bloqueo están activados.
- ! ATENCIÓN No deje al niño jugar con el producto.
- ! ATENCIÓN Antes del uso, verifique si los dispositivos de adjunto del asiento y del cuerpo del capazo están sujetos correctamente.
- ! El ensamblaje tiene que ser realizado por un adulto.
- ! La carriola es adecuada para niños con un peso máximo de 15 kg. Un peso inadecuado puede deteriorar la carriola.
- ! Para prevenir condiciones peligrosas y la falta de estabilidad, no ponga más de 4,5 kg en la cesta de almacenamiento.
- ! Nunca deje el niño desatendido. Supervise el niño siempre que esté en la carriola.
- ! Use la carriola para un solo niño a la vez. Nunca ponga sacos, bolsas de compras, paquetes o accesorios en el mango o en la cubierta.
- ! En caso de carga excesiva, pliegue incorrecto o uso de componentes básicos de otros productores la carriola se puede deteriorar, averiar o se puede volver insegura. Por favor lea con atención el manual de instrucciones.
- ! Nunca use la carriola con partes componentes fabricadas por otros productores.
- ! Por favor lea todas las instrucciones del manual antes de usar el producto. Por favor guarde el manual de instrucciones para referencias futuras. Si no se respetan estas advertencias e instrucciones pueden ocurrir heridas graves o la muerte.
- ! Los cinturones de protección y los sistemas de sujeción tienen que ser usadas correctamente.
- ! Para evitar heridas graves causadas por caídas o resbales use siempre los cinturones de seguridad.
- ! Asegúrese que cuando está ajustando la carriola el niño no está cerca de las partes móviles.
- ! El niño puede resbalar por los espacios para las piernas y se puede asfixiar si no se usan los cinturones.
- ! Nunca use la carriola en escaleras o escaleras mecánicas.
- ! Mantenga a distancia objetos con temperaturas altas, líquidos o aparatos electrónicos.
- ! Nunca deje al niño estar de pie en la carriola o con la cabeza hacia la frente de la carriola.
- ! No deje la carriola en la calle, en pendiente o en zonas peligrosas.
- ! Antes de usar la carriola asegúrese que todos los mecanismos están sujetos
- ! Para evitar la estrangulación, NO ponga objetos con cordones alrededor del cuello del niño, elementos suspendidos de este producto y no ponga cordones en los juguetes.
- ! Para evitar el vuelco, NO ponga nada en el mango.
- ! NO levante la carriola mientras el niño está adentro.

- ! NO use la cesta para cargar al niño.
- ! Para evitar el vuelco, nunca deje al niño subir en la carriola. Levante siempre el niño de la y en la carriola.
- ! Para evitar el prendimiento de los dedos, pliegue y despliegue la carriola con atención.
- ! Asegúrese que está completamente desplegada o plegada antes de dejar los niños cerca.
- ! Para asegurar la seguridad del niño, asegúrese que ha ensamblado y sujetado bien todas las partes antes de usar la carriola.
- ! Para evitar la estrangulación, asegúrese que el bebe no está cerca de la cubierta.
- ! Accione siempre los frenos cuando estacione la carriola.
- ! Deje de usar la carriola si está deteriorada o averiada.
- ! La carriola se va a usar solo a la velocidad de camino normal. El producto no está destinado a ser usado mientras está corriendo.
- ! Para evitar la asfixia, quite todas las bolsas y los embalajes de plástico antes de usar el producto. Las bolsas y los embalajes de plástico tienen que ser guardados lejos de bebes y niños.
- ! El producto no se debe usar mientras está corriendo o patinando.
- ! La silla de paseo desde el nacimiento, y para recién nacidos se recomienda el uso en posición máxima de inclinación.
- ! El dispositivo de estacionamiento se tiene que activar cuando sienta y cuando saca el niño de la carriola.
- ! El capuzo es adecuado solamente para un niño que no puede levantarse de pies sin ayuda, no se puede voltear y no se puede levantar en sus manos o en las rodillas. El peso máximo del niño: 9 kg
- ! NO use la carriola durante el sueño prolongado.
- ! NO use o añada otro tipo de colchón que aquello suministrado con la carriola.
- ! Para los asientos de coche en conjunto con un bastidor, este vehículo no sustituye una cuna o una cama. En el caso que su niño necesita dormir, entonces debe poner una carriola, una cuna o una cama adecuada para el bebe. anças ou cama adequado.
- ! Cuando el niño esté colocado en el capazo, asegúrese de que la cabeza no queda nunca más baja que el cuerpo del niño.
- ! Asegúrese de que el asa está en la posición correcta antes de llevarlo o levantarlo.
- ! Inspeccione regularmente las asas y la parte inferior para comprobar la presencia de señales de daños o desgaste.

Ensamble de la carriola

Por favor lea con atención las instrucciones de este manual antes de ensamblar y usar el producto.

Abrir la carriola

Separe el pestillo de almacenamiento del soporte del pestillo de almacenamiento ❶ y después tiren el mango hacia arriba, ❷ si oye un clic significa que el producto está completamente abierto. Gire el respaldo en una posición vertical. ❸

! Verifique si el producto está completamente abierto antes de seguir.

Ensamble de las ruedas delanteras

Monte las ruedas delanteras en los soportes delanteros. Verifique si las ruedas están sujetadas tirando del ensamble de las ruedas. **4** Para desmontar las ruedas delanteras, quite las ruedas de los soportes delanteros **5 - 2** presionando el botón de suelto. **5 - 1**

Ensamble de las ruedas traseras

Monte el ensamble de ruedas traseras en los soportes traseros **6**, monte las ruedas traseras en el ensamble de frenos **7**. Tire el tubo de la cesta hacia atrás y envuelve el tubo de conexión de los soportes traseros con la tapadera de la cesta de almacenamiento, y después presione los tres botones. **8 - 1**.

! Verifique si las ruedas son agregadas de forma segura empujando sobre los ensambles de la rueda.

Para desensamblar la rueda trasera, desagregue la rueda trasera del soporte de la rueda trasera **7 - 2** mientras presionando el botón de suelto **7 - 1**

Ensamble de la barra para brazos

Alinee los bordes de la barra para brazos, y después insértelos para bloquear **9**.

Para desensamblar la barra para brazos, presione el botón de suelto de la barra para brazos **10 - 1** y después retire la barra para brazos. **10 - 2**

Ensamble de la cubierta

Inserte los clips de la cubierta en el soporte sobre los tubos y después aten la tapadera trasera al respaldo con 2 correas elásticas. **14**

En la figura **11** se presenta la carriola ensamblada.

Uso de la carriola

Utilizar el toldo

Abra la cremallera y, a continuación, presione la capota hacia adelante para abrirla. **12**

Para plegar la capota, tire de la misma hacia atrás.

Para extraer la capota, desencaje los broches de montaje mientras presiona la lengüeta de fijación. **13** Fije a continuación los 2 pares de botones (utilizados para acoplar la tela de la capota al asiento), y levante la capota. **14**

! Una vez instalada, no se recomienda retirar la capota regularmente.

Cambio del asiento

El asiento se puede cambiar, lo que permite a la madre y al niño de estar de frente.

Presione los botones de suelto mientras levantando el asiento. **15** Gire el asiento en la dirección opuesta, y después inserte el asiento en los soportes del asiento. **16**

Ajuste de la inclinación

Existen 5 ángulos para el respaldo.

Para inclinar el respaldo, presione el botón de arreglo **17 - 1** y después ajuste el respaldo en un ángulo deseado. **17 - 2**

Para levantar el respaldo, saque.

! Asegúrese que la inclinación es ajustada correctamente para el uso.

Uso de la hebilla

Suelto de la hebilla

Presione el botón central para soltar la hebilla. **18**

Bloqueo de la hebilla

Combinen la hebilla del cinturón para la cintura con la hebilla para los hombros **19 - 1** e introdúzcala en la hebilla central. **19 - 2** Si se oye un clic significa que la hebilla es completamente bloqueada. **19 - 3**

! Para evitar heridas graves causadas por las caídas o los resbales, protege siempre el niño con los arneses. ! Asegúrese que el niño está bien protegido. El espacio entre el niño y el arnés para los hombros es aproximadamente de una mano.

! No crucen los cinturones para los hombros. Esto puede causar una presión sobre el cuello del niño.

Uso de los arneses para los hombros y para la cintura

! Para proteger el niño contra la caída, después de que el niño esté dentro del asiento, verifique si los arneses para los hombros y para la cintura tienen una altura y una longitud correcta.

20 - 1 Dispositivo de arreglo para los hombros A

20 - 2 Dispositivo de arreglo para los hombros B

20 - 3 Dispositivo de ajuste por deslizo

Para un niño más grande, use el dispositivo de arreglo para los hombros A y los espacios más altos para los hombros. Para niños más pequeños, use el dispositivo de arreglo para los hombros B y los espacios más bajos para los hombros.

Para ajustar la posición del dispositivo de arreglo para los hombros al nivel con la parte orientada hacia adelante. Páselo por el espacio del arnés para los hombros desde atrás hacia adelante. **21** Repáselo por el espacio más cercano de la altura de los hombros del niño. **22**

Use el dispositivo de ajuste por deslizo para cambiar la longitud del arnés. **23 - 1**

Presione el botón **23 - 2** mientras que tire el arnés para la cintura hasta una longitud adecuada. **23 - 3**

Ajuste del arnés de entrepiernas

Existen 2 posiciones para el ajuste del arnés de entrepiernas según los requisitos diferentes.

Posición 1 Los bebés más pequeños usan esta posición **24 - 1**

Posición 2 Los bebés más grandes usan esta posición **24 - 2**

i. Retire el arnés de entrepiernas y colóquelo para estar al nivel. **25 - 1** & **25 - 2**

ii. Gire el ancla del arnés de entrepiernas para traer la parte corte hacia adelante, después páselo por el espacio del arnés de entrepiernas. **25 - 3** & **25 - 4**

iii. Repáselo por el orificio que es lo más cerca de la entrepierna del niño desde la parte delantera del arnés de entrepierna. **24**

Ajuste del soporte para las piernas

El soporte para las piernas tiene 2 posiciones.

Levante el soporte para las piernas

Para levantar el soporte para las piernas, solamente tírelo hacia arriba.

Baje el soporte para las piernas

Presione los botones de ajuste en los dos lados del soporte para las piernas **26 - 1** y gire el soporte para las piernas hacia abajo. **26 - 2**

Uso del bloqueo anti-giro delantero

Presione los bloqueos anti-giro delanteros para mantener la dirección de movimiento. **27**

Consejo Se recomienda el uso de los bloqueos anti-giro sobre las superficies desniveladas.

Uso del freno

Para bloquear las ruedas, pise sobre la palanca del freno hacia abajo. **28**

Para soltar las ruedas, solamente levante la palanca del freno hacia arriba. **29**

Consejo Use siempre el freno cuando la carriola está en una posición de parada.

Ajuste del mango

El mango tiene 3 posiciones.

Para ajustar la altura del mango, tire el mango hacia arriba o hacia abajo. **30 - 2** mientras que presione el botón de ajuste del mango. **30 - 1**

Pliegue de la carriola

! Por favor pliegue la cubierta antes de plegar la carriola.

Presione el asa de reclinación de la parte de atrás del respaldo para colocarlo en posición horizontal. **31**

Levante el botón de pliegue, pise sobre el pedal de pliegue hacia abajo, empuje la carriola hacia adelante para plegar. **31**

El pestillo de almacenamiento se enganchará en el soporte para almacenamiento, después la carriola será completamente plegada y bloqueada. **32**

Uso de accesorios

Los accesorios pueden ser vendidos por separado o puede no estar disponible dependiendo de la región.

Uso con el asiento de coche Joie

Cuando lo use con el asiento de coche Joie gemm, por favor consulte las instrucciones siguientes.

1. Para adjuntar un adaptador, ponga el adaptador sobre los soportes como aparece en **33** Si se oye un clic significa que el adaptador está completamente bloqueado. **34**
2. Para adjuntar un asiento de coche, ponga el asiento de coche sobre el adaptador como aparece en. **35** Si se oye un clic significa que el asiento de coche está completamente bloqueado. **36**
3. Para retirar el asiento de coche, levante el asiento de coche hacia arriba **37 - 1** mientras que presione los dos botones de suelto del arreglo de la carriola A. **37 - 2**

! Si tiene algún problema con respeto al uso de la carriola y el adaptador, por favor consulte sus manuales de

instrucción propios.

! Para retirar el adaptador, levante el adaptador hacia arriba **38 - 2** mientras que presione los dos botones de suelto. **38 - 1**

! Retire el adaptador como aparece en. **39**

! Por favor no use la carriola de pliegue cuando adjunte el asiento de coche.

Uso del capazo

Ensamble del capazo

1. Abra el soporte del filo de los dos lados del capazo. **40** Después pinche el filo dentro de los cuatros lados de plástico. Si se oye un clic significa que el soporte del filo esta fijo. **40 - 1**

Ponga el colchón dentro del capazo **41** y alíselo. **41 - 1**

! Use siempre el colchón cuando se usa el capazo.

! La cubierta del colchón se puede retirar fácilmente para ser lavada.

2. Ajuste de la cubierta del capazo

Abre la cubierta y tire el borde delantero para arreglar. **42** Cierre la cubierta presionando los botones de pliegue a cada lado. **42 - 1**

3. Ensamble de la cubierta del capazo

Ponga la cubierta sobre el capazo, después adjunte las 5 parejas de ganchos y los cierres de arreglo **43 - 1**

El capazo está completamente ensamblado como **43**

Adjunto del capazo sobre el bastidor.

Alinee los lados del capazo con los adaptadores sobre el cuadro. Ponga el capazo directamente al suelo hasta que se arregle. **44** Si se oye un clic significa que el capazo está completamente ensamblado. **45**

! Retire siempre los adaptadores antes del uso del capazo.

! Por favor no pliegue la carriola mientras se adjunta el capazo.

Retire el capazo

Presione los botones de suelto de los dos lados del capazo. **46 - 1** y después levántelo hacia arriba. **46 - 2**

Uso de la cubierta para las piernas

La cubierta para las piernas suave puede ofrecer al niño un ambiente caliente y confortable.

Ensamble la cubierta para las piernas siguiendo estos pasos.

1. Ajuste el soporte para los gemelos y el respaldo a la posición nivelada y reclinada respectivamente antes de acoplar el cubrepies. **47**
2. Cubra el soporte para los gemelos con el cubrepies. **48**

El cubrepies montado se muestra en **49**

Uso de la cubierta contra la lluvia

Para ensamblar la cubierta contra la lluvia, póngala sobre la carriola, y después adjunte las 2 parejas de ganchos y sujetadores de bucle y las 4 parejas de cierres automáticos sobre el cuadro de la carriola. **50**

! Antes de usar la cubierta contra la lluvia, asegúrese que el capazo ha sido correctamente arreglado.

! Cuando use la cubierta contra la lluvia, verifique siempre su ventilación.

! Cuando no se usa, por favor verifique siempre si la cubierta contra la lluvia ha sido limpiada y secada antes del pliegue.

! No pliegue la carriola después haber ensamblado la cubierta contra la lluvia.

! No ponga el niño dentro de la carriola ensamblada con la cubierta contra la lluvia mientras un clima caliente.

! Utilizado bajo supervisión de adultos. No lo utilice en una silla para niños sin capota.


Utilizar el forro del asiento

Ver imágenes 

Utilizar la cubierta almohadillada del arnés de hombro y la del arnés de la entrepierna

Las cubiertas almohadilladas de los arneses de hombro y entrepierna pueden extraerse de la cincha. Ver pasos anteriores para montar las cubiertas almohadilladas de los arneses de hombro y entrepierna.

Atención y mantenimiento

- ! El cojinete para el asiento se puede lavar con agua fría y secado rápidamente. Sin blanqueador.
- ! Para limpiar el cuadro de la carriola, use solamente jabón de casa y agua caliente. Sin blanqueador o detergente.
- ! De vez en cuando, verifique su carriola si hay tornillos sueltos, piezas usadas, materiales rotos o puntadas. Reemplace o repare las piezas si es necesario.
- ! Una exposición excesiva al sol o al calor puede causar la degradación o la deformación de las piezas.
- ! Si la carriola se moja, abra la cubierta y déjela secarse muy bien antes de almacenamiento.
- ! Si las ruedas chirrían, use un aceite ligero (por ejemplo, espray con silicio, aceite antioxidante, o aceite por máquina de coser). Es importante poner el aceite dentro del eje y el ensamble de la rueda. 
- ! Cuando se usa la carriola en la playa, limpie completamente su carriola después del uso y quite la arena y la sal de los mecanismos y de los ensambles de la rueda.

Félicitations pour être devenu partie de la famille Joie ! Nous sommes très heureux que vous ayez choisi Joie pour équiper votre bébé. Lorsque vous le promenez dans la poussette chrome™, vous utilisez une poussette de grande qualité, conforme aux standards européens de sécurité EN1888-2012 et testée régulièrement dans un laboratoire agréé indépendant. Elle peut être utilisée en duo avec la nacelle Joie prévue à cet effet qui elle aussi est conforme à la norme EN 1466:2014/AC:2015. Ce produit s'utilise pour les enfants dont le poids est inférieur à 15kg. Merci de lire attentivement le manuel d'utilisation et de suivre chaque recommandation afin d'assurer à votre enfant confort et sécurité.

IMPORTANT - Gardez ces instructions pour les consulter dans l'avenir.

Visitez-nous sur joiebaby.com pour télécharger des manuels et pour visualiser plusieurs produits extraordinaires de Joie!

Table des matières

Figures	1-10
MISES EN GARDE	41
Ensemble de la poussette	42
Ouverture de la poussette	42
Assembler les roues avant	43
Assembler les roues arrière	43
Assembler le baldaquin	43
Assembler l'accoudoir	43
Utilisation de la poussette	43
Utiliser la capote	43
Changer le siège	43
Régler l'inclinaison	43
Utilisation de la boucle	44
Utiliser le harnais pour les épaules et la ceinture l'harnais d'entrejambe	44
Régler le Repose-Jambes	45
Utiliser le loquet pour le pivot avant	45
Utiliser le frein	45
Régler la poignée	45
Plier la poussette	45
Utiliser les accessoires	45
 Soins et entretien	 47

Cas d'urgence

Au cas d'une émergence ou d'un accident, la chose la plus importante est le soin de votre enfant par lui offrir les premiers soins ou un traitement médical immédiat.

Informations sur le produit

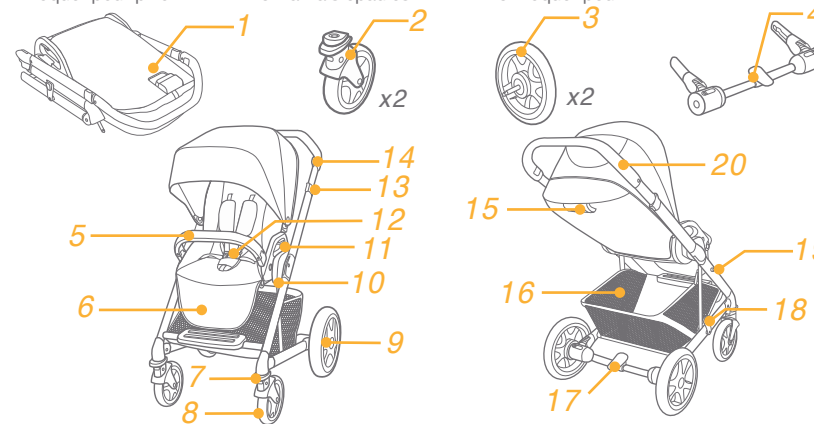
Lisez attentivement les instructions de ce manuel avant d'utiliser le produit. Si vous avez d'autres questions, consultez s'il vous plaît, le commerçant. De telles caractéristiques peuvent varier d'un produit à l'autre.

Produit	Poussette Chrome
Adéquat pour	Des enfants au poids moins de 15kg (naissance - 36 mois)
Matériaux	Plastique, métal, tissus
No. brevet	Brevet en cours d'agrément
Fabriqué en	Chine
Nom de la marque	Joie
Page Web	www.joiebaby.com
Fabricant	Produits pour les enfants Joie (UK) Limited

Liste des composants

Assurez-vous que toutes les pièces sont disponibles avant l'assemblage. Si une pièce manque, contactez le fabricant local. Les outils ne sont requis pour l'assemblage.

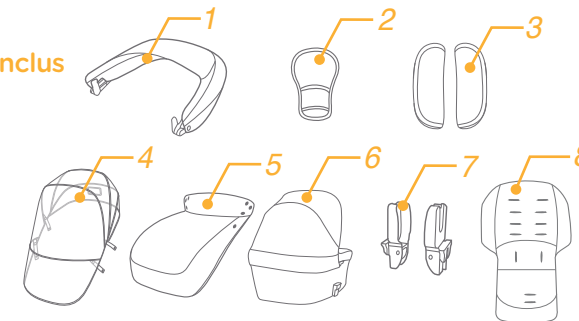
- | | | | |
|-----------------------|----------------------------------|---|------------------------|
| 1 Armature poussette | 8 Roues avant | 14 Bouton pliage | rangement |
| 2 Roues avant (X2) | 9 Roues arrière | 15 Bouton pour le réglage de la poignée | 19 Storage Latch Mount |
| 3 Roues arrière (X2) | 10 Support du siège | 16 Porte-bagages | 20 Poignée |
| 4 Ensemble freins | 11 Bouton pour détacher le siège | 17 Levier freins | |
| 5 Accoudoir | 12 Boucle | 18 Loquet pour | |
| 6 Repose jambes | 13 Harnais épaules | | |
| 7 Loquet pour pivot | | | |



Accessoires

(Peuvent ne pas être inclus lors de l'achat)

- | | | |
|------------------------|----------------------------------|---------------------------------|
| 1 Capote | 2 Coussinet de harnais de bassin | 3 Coussinet de harnais d'épaule |
| 4 Housse pour la pluie | 5 Housse pour les pieds | 6 Nacelle |
| 7 L'adapter | 8 Revêtement de siège | |



MISES EN GARDE

- ! MISE EN GARDE Utilisez toujours la combinaison d'entrejambes avec la ceinture. Le harnais pour les épaules doit être aussi utilisé.
- ! MISE EN GARDE Assurez-vous que tous les dispositifs de blocage sont enclenchés avant d'utiliser le produit.
- ! MISE EN GARDE Ne permettez pas à l'enfant de jouer avec ce produit.
- ! MISE EN GARDE Vérifiez si l'armature de la poussette ou l'unité du siège sont correctement enclenchés avant d'utiliser le produit. .
- ! L'assemblage doit être réalisé par un adulte.
- ! Utilisez la poussette avec un enfant qui pèse moins de 15 kg. L'utilisation avec un enfant plus grand peut endommager la poussette.
- ! Pour prévenir une condition dangereuse, instable, ne rangez plus de 4,5 kg dans le porte-bagages.
- ! Ne laissez pas l'enfant sans surveillance. Surveillez toujours l'enfant lorsqu'il se trouve dans la poussette.
- ! Utilisez la poussette seulement avec un enfant à la fois. Ne rangez pas des sacs à main, des bourses d'achats, des colis ou d'autres accessoires sur la poignée ou le baldaquin.
- ! Le surcharge, le pliage incorrecte, ou l'utilisation des composants d'autres fabricants peut endommager, briser ou rendre instable la poussette. Veuillez lire attentivement le mode d'emploi.
- ! Ne l'utilisez jamais avec des composants d'autres fabricants.
- ! Veuillez lire toutes les instructions du manuel avant d'utiliser ce produit. Veuillez garder le mode d'emploi pour consultation dans l'avenir. Manquer de suivre ces mises en garde et ces instructions peut entraîner des blessures graves ou le décès.
- ! Les ceintures de sécurité et les systèmes de retenue doivent être utilisés correctement.
- ! Afin d'éviter des blessures graves à cause des chutes ou des glissements, utilisez toujours la ceinture pour le siège.
- ! Assurez-vous que le corps de votre enfant n'est pas dans la proximité des parties mobiles lorsque vous réglez la poussette.
- ! L'enfant peut glisser dans les ouvertures pour les jambes et peut s'étrangler si le harnais n'est pas utilisé.
- ! N'utilisez jamais la poussette sur des marches ou des élévateurs.
- ! Gardez à distance des objets à températures hautes, des liquides et des objets électroniques.
- ! Ne permettez jamais à votre enfant de rester debout dans la poussette ou de rester assis dans la poussette la tête vers la partie avant de la poussette.
- ! Ne stationnez jamais la poussette sur les rues, les pentes inclinées ou les zones dangereuses.
- ! Assurez-vous que tous les mécanismes sont fixés avant d'utiliser la poussette.
- ! Pour éviter l'étranglement, NE mettez pas des objets avec des ficelles autour du cou de l'enfant, suspendez les ficelles de ce produit ou attachez les ficelles aux jouets.
- ! Pour prévenir le renversement, NE rangez rien sur la poignée.

- ! NE levez pas la poussette lorsque l'enfant se trouve dans la poussette.
- ! N'utilisez pas le porte-bagages pour porter l'enfant.
- ! Pour prévenir le renversement, ne laissez jamais l'enfant monter dans la poussette. Levez toujours l'enfant de et dans la poussette.
- ! Pour éviter de coincer les doigts, prenez soin lorsque vous pliez ou dépliez la poussette.
- ! Assurez-vous que le produit est complètement ouvert ou plié avant de laisser l'enfant dans sa proximité.
- ! Pour assurer la sécurité de l'enfant, assurez-vous que toutes les composants sont assemblées et enclenchées proprement avant d'utiliser la poussette.
- ! Pour éviter l'étranglement, assurez-vous que vous tenez l'enfant loin du baldaquin.
- ! Activez toujours les freins lorsque vous parquez la poussette.
- ! Arrêtez l'usage de la poussette si elle devient endommagée ou brisée.
- ! La poussette sera utilisée seulement pour la vitesse de la marche. Ce produit n'est pas conçu pour usage pendant la course à pied.
- ! Pour éviter l'étouffement, enlever la bourse en plastique et les matériaux pour l'emballage avant d'utiliser le produit. La bourse en plastique et les matériaux pour l'emballage doivent puis être tenus hors de la portée des bébés et des enfants.
- ! Ce produit n'est pas adéquat pour usage pendant une course à pied ou pendant une promenade avec les patines.
- ! La poussette pour les nouveau-nés est recommandée à être utilisé dans la position inclinée la plus basse pour les nouveau-nés.
- ! Le dispositif de stationnement doit être activé pour asseoir ou lever l'enfant.
- ! La nacelle correspond seulement pour un enfant qui ne peut pas se tenir droit sans aide, qui ne peut pas rouler et se lever lui-même sur ses bras et genoux. Le poids maximum de l'enfant: 9 kilos
- ! La nacelle NE doit pas être utilisée pour dormir à long terme.
- ! N'utilisez et n'ajoutez pas un matelas autre que celui fourni avec la nacelle.
- ! Veuillez vous assurer que la tête de l'enfant dans la nacelle n'est jamais plus basse que le corps de l'enfant.
- ! Veuillez vous assurer que la poignée est dans la position d'utilisation correcte avant de la transporter ou de la soulever.
- ! Les poignées et le revers doivent être inspectés régulièrement à la recherche de signes de dommages et d'usure.

Assemblage de la poussette

Veuillez lire tous les instructions de ce manuel avant d'assembler et utiliser ce produit.

Ouverture de la poussette

Séparez le loquet de rangement du support de rangement ❶ et puis levez la poignée en haut ❷, un clac signifie que la poussette est maintenant complètement ouverte. Tournez le dossier en position verticale. ❸

- ! Assurez-vous que la poussette est complètement ouverte avant de continuer.

Assembler les roués avant

Assemblez les roues avant sur les supports avant. Vérifiez si les roues sont attachées solidement en tirant sur les assemblages de roues. **4** Pour désassembler la roue avant, détachez la roue avant du support avant **5 - 2** appuyant les plaques pour le détachement à l'extérieur. **5 - 1**

Assembler les roues arrière

Assemblez les freins au support arrière **6**, assemblez les roues arrière sur l'ensemble des freins **7**. Tirez le tube du porte-bagages en arrière et enveloppez le tube de connexion des supports arrière avec le volet du porte-bagages, et puis alignez les trois boutons. **8 - 1**.

! Vérifiez si les roues sont bien enclenchées en tirant sur l'ensemble des roues.

Pour désassembler la roue arrière, détachez la roue arrière du support pour la roue arrière **7 - 2** en appuyant le bouton de détachement. **7 - 1**

Assembler l'accoudoir

Alignez les bouts de l'accoudoir avec les supports de l'accoudoir, et puis insérez pour bloquer. **9**

Pour démonter l'accoudoir, serrez le bouton pour détacher l'accoudoir **10 - 1**, et puis enlevez l'accoudoir. **10 - 2**

Assembler le baldaquin

Introduisez les pincettes du baldaquin dans l'armature sur les tubes, et puis serrez le volet arrière au dossier avec 2 sangles élastiques. **14**

La poussette complètement assemblée est montrée dans **11**

Utilisation de la poussette

Utiliser la capote

Ouvrez la fermeture éclair, puis poussez la capote vers l'avant pour ouvrir la capote. **12**

Pour plier la capote, tirez la capote vers l'arrière.

Pour retirer la capote, détachez les attaches de la monture tout en appuyant sur la patte de fixation **13**, puis détachez les deux paires de boutons (utilisés pour attacher le tissu de la capote au siège), à présent ôtez la capote. **14**

! Une fois installée, retirer régulièrement la capote n'est pas recommandé.

Changer le siège

Le siège peut changer de position pour offrir la possibilité à la mère et à l'enfant de rester face à face.

Serrez les boutons pour détacher le siège en levant le siège. **15** Tournez le siège dans la direction inverse, et puis introduisez le siège dans le support pour le siège. **16**

Réglage du dossier

Il y a 5 angles pour le dossier.

Pour incliner le dossier, serrez le bouton de réglage **17 - 1**, et puis réglez le dossier à l'angle désiré. **17 - 2** Pour lever le dossier, pressez en haut.

! Assurez-vous que l'angle d'inclinaison est proprement réglé pour être utilisé.

Utilisation de la boucle

Dégagement de la boucle

Pressez le bouton central pour dégager la boucle. **18**

Enclenchement de la boucle

Ajustez la boucle de la ceinture de retenue avec celle pour les épaules **19 - 1**, et introduisez-les dans la boucle au milieu. **19 - 2** Un clac signifie que la boucle est complètement enclenchée. **19 - 3**

! Pour éviter des blessures graves à cause de la chute ou du glissement de la poussette, attachez toujours l'enfant avec le harnais.

! Assurez-vous que l'enfant est bien attaché de manière confortable. L'espace entre l'enfant et la ceinture pour les épaules est d'environ l'épaisseur de la paume.

! Ne croisez pas les ceintures pour les épaules. Ceci entraîne de la pression sur le cou de l'enfant.

Utiliser le harnais pour les épaules et la ceinture pour la retenue

! Pour protéger l'enfant afin de ne pas tomber de la poussette, après avoir assis l'enfant dans le siège, vérifiez si les harnais pour les épaules et la ceinture pour la retenue ont la hauteur et la longueur correspondante.

20 - 1 Ancre A du harnais pour les épaules

20 - 2 Ancre B du harnais pour les épaules

20 - 3 Dispositif pour régler le glissement

Pour un enfant plus grand, utilisez ancre A du harnais pour les épaules et les espaces les plus hauts pour les épaules. Pour un enfant plus petit, utilisez ancre B du harnais pour les épaules et les espaces les plus bas pour les épaules.

Pour régler la position de l'ancre pour le harnais pour les épaules, tournez l'ancre pour arriver au même niveau avec la partie face avant. Passez-le par l'espace pour le harnais pour les épaules de la partie derrière vers la partie avant. **21** Passez-le de nouveau par l'espace le plus proche de la hauteur des épaules de l'enfant. **22**

Utilisez le dispositif de réglage du glissement pour changer la longueur du harnais. **23 - 1**

Pressez le bouton **23 - 2**, en tirant la ceinture à la longueur correspondante. **23 - 3**

l'harnais d'entrejambe

Il y a 2 positions pour ajuster l'harnais d'entrejambe conformément aux besoins différentes.

Position 1 Les bébés plus petits utilisent cette position **24 - 1**

Position 2 Les bébés plus grands utilisent cette position **24 - 2**

i. Retirez l'harnais d'entrejambe et le placez pour être au niveau. **25 - 1** & **25 - 2**

ii. Faites tourner l'ancrage d'harnais d'entrejambe pour porter la partie courte vers l'avant, puis le passez par l'espace d'harnais d'entrejambe. **25 - 3** & **25 - 4**

iii. Le repassez par l'espace qui est le plus proche de l'entrejambe d'enfant au devant de l'harnais d'entrejambe.

24

Régler le support pour les jambes

Le support pour les jambes a 2 positions.

Lever le support pour les jambes

Pour lever le support pour les jambes, seulement pousser-le en haut.

Descendre le support pour les jambes

Pressez les boutons de réglage des deux cotées du support pour les jambes **26 - 1**, et tournez le support pour les jambes en bas. **26 - 2**

Utiliser le loquet pour le pivot avant

Tirez vers le bas les verrous anti-pivotants frontaux pour maintenir la direction de mouvement. **27**

Tip Il est recommandé d'utiliser les loquets pour les pivots sur des surfaces irrégulières

Utilisez les freins

Pour bloquer les roues, appuyez le pied sur la pédale des freins. **28** Pour libérer les roues, seulement levez la pédale des freins. **29**

Tip Enclenchez toujours le frein lorsque la poussette est en position de stationnement.

Poignée de réglage

La poignée a 3 positions.

Pour régler la hauteur de la poignée, tirez la poignée en haut ou en bas **30 - 2** en serrant le bouton pour le réglage de la poignée. **30 - 1**

Plier la poussette

! Veuillez plier le baldaquin avant de plier la poussette.

Appuyez sur la poignée d'inclinaison à l'arrière du dossier pour faire pivoter le dossier en position horizontale. **31**

Levez le bouton de pliage, appuyez en bas sur la pédale pour le pliage, poussez la poussette en avant pour la plier **31**.

Le loquet pour rangement s'accrochera automatiquement sur le support pour le rangement, puis la poussette est pliée et bloquée complètement. **32**

Utiliser les accessoires

Les accessoires peuvent être vendus séparément ou peuvent ne pas être disponibles selon la région.

Utiliser avec le siège de voiture de Joie

Lorsque vous utilisez le Siège de Voiture de Joie gemm, veuillez consulter les instructions suivantes.

1. Pour attacher l'adapter, placez l'adapter sur les armatures comme dans **33**, Un clac signifie que l'adapter est complètement enclenché. **34**
2. Pour attacher le siège de voiture, mettez le siège de voiture sur l'adapter comme dans **35**, Un clac signifie que le siège de voiture est complètement enclenché. **36**

3. Pour enlever le siège de voiture, levez le siège de voiture en haut **37 - 1** en appuyant sur les deux boutons A de réglage libération de la poussette. **37 - 2**

! Si vous avez des problèmes en ce qui concerne l'utilisation de la poussette et de l'adapter, veuillez consulter leurs propres modes d'emploi.

! Pour enlever l'adapter, levez l'adapter en haut **38 - 2** en appuyant les deux boutons de libération. **38 - 1**

! Enlevez l'adapter comme dans. **39**

Utiliser la nacelle

Ensemble nacelle

1. Ouvrez le support métallique sur les deux côtés de la nacelle **40**, Puis cliquez-les sur les quatre en plastique, Un clac signifie que le support métallique est complètement enclenché. **40 -1**

Rangez le matelas dans la nacelle, **41** et puis lissez-la. **41 -1**

! Assurez-vous que vous utilisez le matelas lorsque vous utilisez la nacelle.

! La couverture du matelas peut être enlevée pour la nettoyer facilement.

2. Régler le capuchon de la nacelle

Ouvrez le capuchon, tirez le bout avant du capuchon pur l'ouvrir directement. **42**

Fermez le capuchon, serrez les deux boutons pour le pliage sur les deux côtés de la nacelle et fermez le capuchon en arrière. **42 -1**

3. Assemblage de la chancelière de la nacelle

Mettez la chancelière sur la nacelle, puis attachez les 5 paires de fermetures Velcro. **43 -1**

Nacelle complètement assemblée comme dans. **43**

Attachement de la nacelle

Alignez les côtés de la nacelle sur les loquets sur l'armature, puis rangez-la directement en bas, un clac signifie que la nacelle est complètement assemblée. **44**

! Assurez-vous que les adaptateurs sont enlevés avant d'utiliser la nacelle. **45**

Enlevez la nacelle

Serrez les boutons de libération des deux côtés de la nacelle **46 -1**, et puis tirez-la en haut. **46 -2**

Utiliser la chancelière

La chancelière douce peut assurer à votre enfant un environnement chaud et confortable. Assemblez la chancelière en respectant les étapes suivantes.

1. Ajustez le support pour mollets et le dossier respectivement en position à plat et en position inclinée avant d'assembler le tablier couvre-jambes. **47**

2. Recouvrez le support pour mollets avec le tablier couvre-jambes. **48**

Le tablier couvre-jambes assemblé est présenté comme **49**

Utiliser la housse pour la pluie

Pour assembler l'housse de pluie, le placez sur la poussette, et puis attachez les 2 paires des crochets et des boucles de fixation et les 4 paires des boutons-pression sur le cadre de la poussette. **50**

! Avant d'utiliser la housse pour la pluie, assurez-vous que la nacelle a été réglée.

! Lorsque vous utilisez la housse pour la pluie, veuillez toujours vérifier sa ventilation.

! Lorsque vous n'utilisez pas la housse, vérifiez si la housse pour la pluie a été nettoyée et séchée avant d'être pliée.

! Ne pliez pas la poussette après avoir assemblé la housse pour la pluie.

- ! Ne mettez pas l'enfant dans la poussette assemblée avec la housse pour la pluie lors du temps chaud.
- ! À utiliser sous la surveillance d'un adulte. Ne pas utiliser sur une poussette sans canopy.


Utiliser le revêtement de siège

Voir les images 

Utiliser le coussinet de harnais d'épaule et le coussinet de harnais de bassin

Le coussinet de harnais d'épaule ou le coussinet de harnais de bassin peuvent être retirés des sangles. Pour assembler le coussinet de harnais d'épaule et le coussinet de harnais de bassin, procédez dans l'ordre inverse.

Soins et maintien

- ! Le coussin détachable pour le siège peut être lavé dans l'eau froide et séché sans avoir des plis. Sans blanchisseur.
- ! Pour nettoyer l'armature de la poussette, utilisez seulement du savon de ménage ou de l'eau chaude. Sans blanchisseur ou détergent.
- ! Vérifiez périodiquement la poussette pour des vis desserrées, pièces usagées, tissu ou couture déchiré. Remplacez ou réparez les composants au besoin.
- ! L'exposition excessive au soleil ou à la chaleur peut déterminer la décoloration ou la déformation des composants.
- ! Au cas où la poussette est humide, ouvrez le baldaquin et laissez-le sécher complètement avant de le ranger.
- ! Si les roues grincent, utilisez une huile légère (par exemple, pulvérisation avec silicone, huile contre la rouille, ou huile pour la machine à coudre). Il est important de mettre de l'huile dans le système de roues ou l'essieu. 
- ! Lorsque vous utilisez la poussette sur la plage, nettoyez-la complètement après pour enlever le sable et le sel des mécanismes et les systèmes de roues.

DE Willkommen bei Joie™

Glückwunsch, dass Sie ein Mitglied der Joie-Familie werden! Wir freuen uns sehr, Ihr kleines Kind auf Reisen begleiten zu dürfen. Mit dem Joie Chrome™ benutzen Sie einen erstklassigen, umfassend zertifizierten Kinderwagen, der gemäß dem europäischen Sicherheitsstandard EN 1888-2012 zugelassen ist und in Kombination mit der Joie Chrome Babywanne (zertifiziert nach EN 1466:2014/AC:2015) genutzt werden kann. Dieses Produkt eignet sich für Kinder mit einem Gewicht von unter 15 kg. Bitte lesen Sie die Anleitung aufmerksam durch und befolgen Sie die einzelnen Anwendungsschritte gewissenhaft, damit Ihrem Kind eine komfortable Fahrt und optimale Sicherheit gewährleistet wird.

WICHTIG - Bewahren Sie diese Anleitung für eine spätere Bezugnahme auf.

Besuchen Sie uns unter joiebaby.com, um Anleitungen herunterzuladen und weitere aufregende Joie-Produkte anzuschauen!

Inhalt

Abbildungen	1-10
WARNUNG	51
Montage des Kinderwagens	52
Kinderwagen öffnen	53
Vorderräder montieren	53
Hinterräder montieren	53
Verdeck anbringen	53
Armlehne montieren	53
Bedienung des Kinderwagens	53
Verwendung des Verdecks	53
Sitzrichtung umkehren	53
Rückenlehne anpassen	54
Schnalle bedienen	54
Schulter & Taillengurte anlegen	54
Verwendung des Schrittgurts	54
Wadenstütze anpassen	55
Vorderen Lenkstopp verwenden	55
Bremsen bedienen	55
Griff anpassen	55
Kinderwagen zusammenklappen	55
Zubehör verwenden	55
Pflege und Wartung	57

Notfall

Bei einem Notfall oder Unfall ist es am wichtigsten, dass Ihr Kind unverzüglich erste Hilfe bekommt und medizinisch versorgt wird.

Produktinformationen

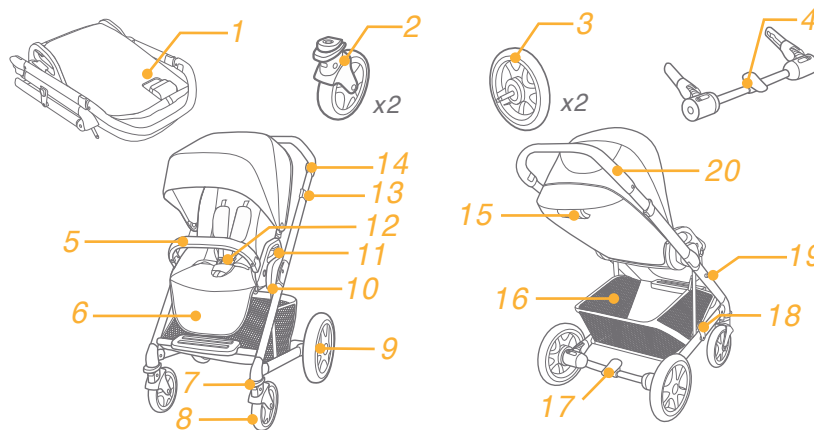
Lesen Sie alle Hinweise in dieser Anleitung, bevor Sie dieses Produkt verwenden. Bei weiteren Fragen wenden Sie sich bitte an Ihren Händler. Einige Merkmale können je nach Modell variieren.

Produkt	Chroma Kinderwagen
Geeignet für	Kinder mit einem Gewicht unter 15 Kg (Geburt - 36 Monate)
Materialien	Kunststoff, Metall, Stoffe
Patent Nr.	Patente angemeldet
Hergestellt in	China
Markenname	Joie
Webseite	www.joiebaby.com
Hersteller	JoieChildren's Product (UK) Limited

Teilleiste

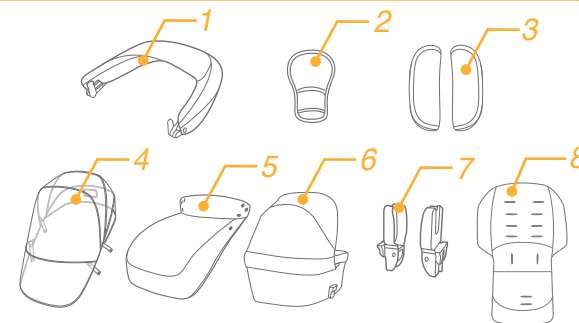
Stellen Sie vor der Montage sicher, dass alle Teile vorhanden sind. Falls etwas fehlen sollte, wenden Sie sich bitte an Ihren Händler vor Ort. Für die Montage werden keine Werkzeuge benötigt.

1 Kinderwagengestell	7 Lenkstopp	13 Schultergurt	19 Ablageverschluss
2 Vorderrad (x 2)	8 Vorderrad	14 Zusammenklappknopf	befestigung
3 Hinterrad (x 2)	9 Hinterrad	15 GriffEinstellknopf	20 Griff
4 Bremsanlage	10 Sitzhalterung	16 Ablagekorb	
5 Armlehne	11 Sitzfreigabeknopf	17 Bremshebel	
6 Wadenstütze	12 Verschluss	18 Ablageverschluss	



Zubehör (nicht mitgeliefert)

- 1 Verdeck
- 2 Schrittgurtpolster
- 3 Schultergurtpolster
- 4 Regenschutz
- 5 Fußsack
- 6 Babyschale
- 7 Adapter
- 8 Sitzauflage



WARNUNGSHINWEISE

- ! WARNUNG Verwenden Sie immer den Schrittgurt in Kombination mit dem Taillengurt. Wir empfehlen, dass zusätzlich auch der Schultergurt verwendet wird.
- ! WARNUNG Stellen Sie vor der Benutzung sicher, dass alle Verschlusssteile verriegelt sind.
- ! WARNUNG Lassen Sie Ihr Kind nicht mit diesem Produkt spielen.
- ! WARNUNG Stellen Sie vor der Benutzung sicher, dass die Kinderwagen und Sitzhaltevorrichtungen richtig verriegelt sind.
- ! Das Produkt muss von einem Erwachsenen montiert werden.
- ! Verwenden Sie den Kinderwagen nur für Kinder unter 15 kg. Anderenfalls kann der Kinderwagen beschädigt werden.
- ! Legen Sie nie mehr als 4,5 kg in den Aufbewahrungskorb, damit der Kinderwagen nicht instabil wird.
- ! Lassen Sie Ihr Kind niemals unbeaufsichtigt zurück. Behalten Sie Ihr Kind immer in Sichtweite.
- ! Verwenden Sie den Kinderwagen nur mit einem Kind. Legen Sie nie Taschen, Einkaufstüten, Pakete oder Zubehörteile auf den Handgriff oder das Dach.
- ! Überladung, falsches Zusammenklappen oder die Verwendung von Teilen anderer Hersteller kann die Sicherheit des Kinderwagens beeinträchtigen oder in beschädigen. Lesen Sie die Bedienungsanleitung sorgfältig.
- ! Verwenden Sie ihn nie mit Zubehörteilen anderer Hersteller.
- ! Lesen Sie alle Hinweise in dieser Anleitung, bevor Sie dieses Produkt verwenden. Bewahren Sie die Anleitung für eine spätere Bezugnahme auf. Nichtbeachtung dieser Warnungen und Anweisungen könnte zu schweren Verletzungen oder zum Tode führen.
- ! Die Sicherheitsgurte und das Rückhaltesystem müssen korrekt verwendet werden.
- ! Verwenden Sie immer die Sitzgurte, um schwere Verletzungen durch Herausfallen oder -gleiten zu verhindern.
- ! Achten Sie darauf, dass Ihr Kind nicht mit Teilen in Berührung kommt, die sich bewegen, wenn Sie den Kinderwagen einstellen.
- ! Das Kind kann in die Öffnungen der Beine rutschen und sich strangulieren, wenn das Gurtsystem nicht verwendet wird.
- ! Benutzen Sie mit dem Kinderwagen keine Treppen oder Rolltreppen.
- ! Halten Sie sich von heißen Objekten, Flüssigkeiten und elektronischen Geräten fern.
- ! Erlauben Sie Ihrem Kind nicht auf den Kinderwagen zu klettern oder mit dem Kopf nach vorn in ihm zu sitzen.
- ! Stellen Sie den Kinderwagen nicht auf Straßen, abschüssigen oder gefährlichen Bereichen ab.
- ! Vergewissern Sie sich, dass alle mechanischen Teile arretiert sind, bevor Sie den Kinderwagen verwenden.
- ! Um eine Strangulation zu vermeiden, legen Sie KEINE Gegenstände mit einem Band um den Nacken Ihres Kindes. Entfernen Sie die Bänder von diesen Gegenständen oder fixieren Sie sie auf andere Weise.

- ! Legen Sie NICHTS auf den Handgriff, damit der Kinderwagen nicht kippt.
- ! Heben Sie den Kinderwagen NICHT an, während Ihr Kind darin sitzt.
- ! Verwenden Sie NICHT den Aufbewahrungskorb als Ablageplatz für Ihr Kind.
- ! Lassen Sie Ihr Kind nicht auf den Kinderwagen klettern, da er sonst kippen könnte. Heben Sie Ihr Kind immer in den oder aus dem Kinderwagen.
- ! Klappen Sie den Kinderwagen immer vorsichtig auseinander oder zusammen, damit nichts eingeklemmt werden kann.
- ! Achten Sie darauf, dass der Kinderwagen ganz zusammen- oder ausgeklappt ist, bevor Sie Ihr Kind in die Nähe lassen.
- ! Prüfen Sie zur Sicherheit Ihres Kindes, dass alle Teile zusammengebaut und fixiert sind, bevor Sie den Kinderwagen benutzen.
- ! Halten Sie ihr Kind vom Verdeck fern, damit es sich nicht darin verfangen kann.
- ! Aktivieren Sie immer die Bremsen, wenn Sie den Kinderwagen abstellen.
- ! Verwenden Sie den Kinderwagen nicht, wenn er beschädigt ist.
- ! Der Kinderwagen darf nur mit Schrittgeschwindigkeit verwendet werden. Dieses Produkt darf nicht beim Joggen verwendet werden.
- ! Um Erstickungsgefahren zu vermeiden, entfernen Sie Plastikbeutel und die Verpackungsmaterialien, bevor Sie dieses Produkt verwenden. Plastikbeutel und Verpackungsmaterialien sollten von Babys und Kindern ferngehalten werden.
- ! Dieses Produkt eignet sich nicht zum Jogging oder Skating.
- ! Der Buggy eignet sich für Babys ab der Geburt. Für ein neugeborenes Baby wird die am weitesten zurückgelehnte Position empfohlen.
- ! Nutzen Sie die Feststellbremse, wenn Sie das Kind hineinlegen oder herausnehmen.
- ! Die Babyschale eignet sich nur für Kinder, die nicht selbstständig sitzen, sich drehen und/oder mit Händen und Knien abstützen können. Maximalgewicht des Kindes: 9 kg.
- ! Die Babyschale eignet sich NICHT für längeres Schlafen.
- ! Verwenden Sie nur die mit der Babyschale gelieferte Matratze; fügen Sie KEINE weitere Matratze hinzu.
- ! Für Autositze in Verbindung mit einem Unterbau, dieses Transportmittel ist kein Ersatz für ein Gitter- bzw. Babybett. Falls Ihr Kind müde ist, sollten Sie es in einen geeigneten Kinderwagen, ein Gitter- bzw. Babybett legen.
- ! Achten Sie bitte darauf, dass der Kopf des Kindes in der Babyschale nie niedriger ist als der Körper des Kindes.
- ! Achten Sie vor dem Tragen oder Hochheben bitte darauf, dass der Griff in der richtigen Verwendungsposition ist.
- ! Griffe und Unterseite sollten regelmäßig auf Beschädigungen und Abnutzungserscheinungen geprüft werden.

Montage des Kinderwagens

Lesen Sie bitte alle Hinweise in dieser Anleitung, bevor Sie dieses Produkt montieren und verwenden.

Kinderwagen öffnen

Lösen Sie den Aufbewahrungsverschluss von der Befestigung **1** und heben Sie den Handgriff nach oben **2**, hören Sie, wie er einrastet, ist der Kinderwagen vollständig geöffnet. Drehen Sie die Rückenlehne senkrecht. **3**

! Prüfen Sie, ob der Kinderwagen vollständig offen ist, bevor Sie fortfahren.

Vorderräder montieren

Montieren Sie die Vorderräder an der Vorderachse. Prüfen Sie durch Ziehen an den Räder, ob diese sicher befestigt sind. **4**

Entfernen Sie ein Vorderrad, indem Sie es von der Vorderradhalterung **5 - 2** lösen, während Sie den Freigabeknopf gedrückt halten. **5 - 1**

Hinterräder anbringen

Montieren Sie Bremsvorrichtung an der Hinterachse **6**, montieren Sie die Hinterräder an der Bremsvorrichtung **7**. Ziehen Sie das Rohr des Korbs nach hinten und umwickeln Sie das Verbindungsrohr der Hinterachse mit dem Stoff des Korbs und schließen Sie die drei Knöpfe **8 - 1**.

! Prüfen Sie durch Ziehen an den Räder, ob diese sicher befestigt sind.

Entfernen Sie ein Hinterrad, indem Sie es von der Hinterradhalterung **7 - 2** lösen, während Sie den Freigabeknopf gedrückt halten. **7 - 1**

Armlehne montieren

Richten Sie die Enden der Armlehnen zu deren Befestigung aus und schieben Sie sie hinein. **9**

Zur Entfernung der Armlehne drücken Sie den Freigabeknopf der Armlehne **10 - 1**, und ziehen dann die Armlehne heraus. **10 - 2**

Verdeck anbringen

Schieben Sie die Clips des Verdecks in die Befestigung an den Rohren, und befestigen Sie den hinteren Teil mit den 2 elastischen Bändern an der Rücklehne. **14**

Der vollständig montierte Kinderwagen ist in Abbildung **11** dargestellt.

Bedienung des Kinderwagens

Verwendung des Verdecks

Öffnen Sie den Reißverschluss, drücken Sie das Verdeck zum Öffnen nach vorne. **12**

Zum Einklappen des Verdecks ziehen Sie es nach hinten.

Zur Abnahme des Verdecks lösen Sie durch Drücken der Befestigungsglasche die Clips aus der Halterung **13**, lösen Sie dann die 2 Knopfpaare (mit denen der Verdeckstoff am Sitz befestigt ist); heben Sie das Verdeck nun ab. **14**

! Sobald das Verdeck angebracht ist, sollte es nicht regelmäßig abgenommen werden.

Sitz ausrichten

Die Sitzrichtung kann umgekehrt werden, damit sich Mutter und Kind anschauen können.

Drücken Sie die Sitzfreigabeknöpfe, während Sie den Sitz anheben. **15** Drehen Sie den Sitz in die

entgegengesetzte Richtung, bringen Sie ihn dann wieder auf den Sitzhalterungen an. **16**

Rückenlehne anpassen

Es gibt 5 Neigungswinkel für die Rückenlehne.

Senken Sie die Rückenlehne ab, indem Sie den Einstellknopf drücken **17 - 1**, und die Rückenlehne auf den gewünschten Winkel anpassen. **17 - 2**

Zum Hochstellen der Rückenlehne drücken Sie sie hoch.

! Vergewissern Sie sich, dass die Lehne korrekt eingestellt ist.

Schnalle bedienen

Verschluss öffnen

Drücken Sie die mittlere Taste, um den Verschluss freizugeben. **18**

Verschluss verriegeln

Richten Sie Hüft- und Schulterverschluss zueinander aus **19 - 1**, und drücken Sie in den mittigen Verschluss.

19 - 2 Ein Klickgeräusch zeigt an, dass der Verschluss eingerastet ist. **19 - 3**

! Um schwere Verletzungen aufgrund von Herausfallen oder -gleiten zu verhindern, sichern Sie Ihr Kind stets mit Gurten ab.

! Vergewissern Sie sich, dass Ihr Kind rutschfest gehalten wird. Der Abstand zwischen dem Kind und dem Schultergurt sollte etwa die Dicke einer Hand betragen.

! Legen Sie die Schultergurte nicht überkreuz. Dadurch wird Druck im Nacken des Kindes aufgebaut.

Schulter- & Taillengurte anlegen

! Nachdem Sie Ihr Kind in den Sitz gesetzt haben, prüfen Sie, ob die Schulter- und Taillengurte in der richtigen Höhe verlaufen und lang genug sind, um Ihr Kind vor dem Herausfallen zu schützen.

20 - 1 Schultergurtverankerung A

20 - 2 Schultergurtverankerung B

20 - 3 Gurtversteller

Für ein größeres Kind muss die Schultergurtverankerung A und der oberste Schulter Schlitz verwendet werden.

Für ein kleineres Kind muss die Schultergurtverankerung B und der unterste Schulter Schlitz verwendet werden.

Zur Verstellung der Position der Schultergurtverankerung drehen Sie die Verankerung so, dass sie mit der nach vorne weisenden Seite auf einer Ebene liegt. Führen Sie sie von hinten nach vorne durch den Schultergurtschlitz

21 Führen Sie sie erneut durch den Schlitz, der der Schulterhöhe des Kindes am nächsten liegt. **22**

Ändern Sie die Gurtlänge mit dem verschiebbaren Gurtversteller. **23 - 1**

Betätigen Sie den Knopf **23 - 2**, während Sie den Hüftgurt in die richtige Länge ziehen. **23 - 3**

Verwendung des Schrittgurts

Der Schrittgurt kann je nach Anforderungen in 2 Positionen verwendet werden.

Position 1 Bei kleineren Babys wird diese Position verwendet **24 - 1**

Position 2 Bei größeren Babys wird diese Position verwendet **24 - 2**

i. Ziehen Sie den Schrittgurt heraus und richten Sie ihn gerade aus. **25 - 1 & 25 - 2**

ii. Drehen Sie die Verankerung des Schrittgurts so, dass die kürzere Seite nach vorn zeigt und führen Sie sie durch den Schrittgurtschlitz. **25 - 3 & 25 - 4**

iii. Führen Sie sie erneut durch den Schlitz, der dem Schritt des Kindes von der Vorderseite des Schrittgurts am nächsten liegt. **24**

Wadenstütze anpassen

Es gibt 2 Positionen für die Wadenstütze.

Wadenstütze heben

Drücken Sie die Wadenstütze zum Anheben einfach nach oben.

Wadenstütze senken

Zum Absenken der Wadenstütze betätigen Sie die Verstellknöpfe an beiden Seiten der Wadenstütze **26 - 1** und drehen die Wadenstütze nach unten. **26 - 2**

Vorderen Lenkstopp verwenden

Drücken Sie die vorderen Lenkstopp hoch, um die Bewegungsrichtung beizubehalten. **27**

Tipp Die Lenkstopp empfehlen sich auf unebenem Untergrund.

Bremse bedienen

Zur Arretierung der Räder drücken Sie den Bremshebel mit dem Fuß nach unten. **28**

Lösen Sie die Räder, indem Sie den Bremshebel einfach nach oben ziehen. **29**

Tipp Verwenden Sie immer die Bremse, wenn Sie mit dem Kinderwagen anhalten.

Griff anpassen

Der Griff hat 3 Positionen.

Passen Sie die Höhe des Griffs an, indem Sie ihn nach oben oder unten ziehen **30 - 2** während Sie am Griffstellknopf drücken. **30 - 1**

Kinderwagen zusammenklappen

! Bitte klappen Sie das Verdeck zusammen, bevor Sie den Kinderwagen zusammenklappen.

Drücken Sie den Rücklehngriff hinten an der Rückenlehne, um die Rückenlehne in eine horizontale Position zu drehen. **31**

Ziehen Sie den Zusammenklappknopf nach oben, treten Sie das Zusammenklapppedal nach unten, und drücken Sie den Kinderwagen nach vorn, damit er sich zusammenklappt **31**.

Die Aufbewahrungslasche hakt sich automatisch in die Halterung ein. Danach ist der Kinderwagen vollständig gefaltet und verriegelt. **32**

Zubehör verwenden

Zubehör wird möglicherweise separat verkauft oder ist je nach Region nicht verfügbar.

Verwendung mit Joie-Autositz

Bitte beachten Sie beim Einsatz mit dem Joie-Autositz die nachstehenden Anweisungen.

1. Bringen Sie den Adapter an, indem Sie ihn wie abgebildet auf die Halter aufsetzen **33** ein Klickgeräusch zeigt an, dass der Adapter vollständig eingerastet ist. **34**
2. Bringen Sie den Autositz an, indem Sie ihn wie abgebildet auf den Adapter aufsetzen **35** ein Klickgeräusch zeigt an, dass der Autositz vollständig eingerastet ist. **36**
3. Entfernen Sie den Autositz, indem Sie ihn nach oben heben **37 - 1** während Sie die beiden Kinderwagen-Freigabeknöpfe A drücken. **37 - 2**

! Beachten Sie bitte die Hinweise in den jeweiligen Bedienungsanleitungen, wenn Sie bei der Verwendung von Kinderwagen und Adapter Probleme haben.

! Entfernen Sie den Adapter, indem Sie ihn nach oben abheben **38 - 2**, während Sie die beiden Freigabeknöpfe drücken. **38 - 1**

! Entfernen Sie den Adapter wie dargestellt. **39**

! Bitte klappen Sie den Kinderwagen nicht zusammen, wenn er auf dem Autositz angebracht wird.

Verwenden der Babyschale

Babyschale montieren

1. Öffnen Sie die Drahtstützen an beiden Seiten der Babyschale **40** Danach befestigen Sie die Drahtstützen in die vier Kunststoffteile ein. Wenn sie eingerasten, ertönt ein Klickgeräusch. **40 - 1** Legen Sie die Matratze in die Babyschale, **41** und streichen Sie sie glatt. **41 - 1**

! Verwenden Sie die Babyschale niemals ohne Matratze.

! Der Matratzenbezug kann zum Waschen einfach entfernt werden.

2. Babyschalenverdeck anpassen

Öffnen Sie das Verdeck und ziehen Sie das Vorderende zum Befestigen bis ganz nach vorne. **42** Schließen Sie das Verdeck, indem Sie die Knöpfe an beiden Seiten drücken. **42 - 1**

3. Babyschalenverdeck montieren

Bringen Sie den Regenschutz über der Babyschale an, befestigen Sie dann die 5 Paar Haken und Klettverschlüsse. **43 - 1** Vollständig zusammengebaute Babyschale. **43**

Babyschale am Gestell anbringen

Richten Sie die Seiten der Babyschale an den Adaptern am Rahmen aus. Setzen Sie die Babyschale direkt auf, bis sie mit einem Klickgeräusch einrastet. **44** Ein Klickgeräusch zeigt an, dass die Babyschale vollständig montiert ist. **45**

! Entfernen Sie vor der Benutzung der Babyschale immer die Adapter.

! Bitte klappen Sie den Kinderwagen nicht zusammen, wenn die Babyschale angebracht wird.

Babyschale entfernen

Drücken Sie die Freigabeknöpfe an beiden Seiten der Babyschale **46 - 1** und heben Sie sie dann nach oben weg. **46 - 2**

Verwendung des Fußsacks

Der weiche Fußsack sorgt dafür, dass Ihr Kind warm und komfortabel transportiert werden kann.

Befestigen Sie den Fußsack auf folgende Weise:

1. Bringen Sie die Wadenstütze in eine waagerechte und die Rückenlehne in eine nach hinten geneigte Position, bevor Sie den Fußsack anbringen. **47**

2. Bedecken Sie die Wadenstütze mit dem Fußsack. **48**

Der angebrachte Fußsack ist abgebildet als **49**

Regenschutz verwenden

Zur Befestigung des Regenschutzes legen Sie ihn über den Kinderwagen und befestigen ihn dann mit 4 Hakenpaare und Schlaufenbefestiger an der Armlehne an. **50**

! Vergewissern Sie sich, dass der Sitz befestigt ist, bevor Sie den Regenschutz anbringen.

! Achten Sie bei Verwendung des Regenschutzes stets auf seine Belüftung.

! Wird der Regenschutz nicht mehr verwendet, achten Sie vor dem Zusammenfallen bitte darauf, dass er sauber und trocken ist.

- ! Klappen Sie den Kinderwagen nicht zusammen, nachdem der Regenschutz angebracht wurde.
- ! Setzen Sie Ihr Kind bei heißem Wetter nicht in den Kinderwagen, wenn der Regenschutz angebracht wurde.
- ! Darf nur unter Aufsicht eines Erwachsenen verwendet werden. Nicht an einem Kinderwagen ohne Verdeck verwenden.

Verwendung der Sitzauflage

Siehe Abbildungen 51

Verwendung von Schultergurtpolster und Schrittgurtpolster

Schultergurtpolster und Schrittgurtpolster können vom Gurtband abgenommen werden. Bringen Sie Schultergurtpolster und Schrittgurtpolster in umgekehrter Reihenfolge an.

Pflege und Wartung

- ! Das abnehmbare Sitzkissen kann in kaltem Wasser gewaschen und zum Trocknen aufgehängt werden. Nicht bleichen.
- ! Reinigen Sie das Kinderwagengestell nur mit handelsüblicher Seife und warmem Wasser. Nicht bleichen oder mit Reinigungsmitteln bearbeiten.
- ! Untersuchen Sie Ihren Kinderwagen gelegentlich auf lockere Schrauben, abgenutzte Teile, verschlissene Materialien oder aufgerissene Nähte. Ersetzen oder reparieren Sie die Teile, falls erforderlich.
- ! Bei übermäßiger Sonnenbestrahlung oder Hitzeeinwirkung können Teile verblassen oder sich verformen.
- ! Ist der Kinderwagen nass geworden, öffnen Sie das Verdeck und lassen Sie ihn komplett trocken werden, bevor Sie ihn verstauen.
- ! Bei quietschenden Rädern tragen Sie ein leichtes Öl auf (z. B. Silikonspray, Rostschutzöl oder Nähmaschinenöl). Es ist dabei wichtig, dass das Öl in die Achse und die Radverbindung gelangt. 52
- ! Gehen Sie mit Ihrem Kinderwagen am Strand spazieren, müssen Sie ihn hiernach komplett reinigen, um Sand und Salz aus der Mechanik und den Radverbindungen zu entfernen.

Gefeliciteerd dat u een deel van de familie Joie bent ! We zijn erg blij om deel te nemen aan de reis met je baby terwijl u loopt met een Joie CHROME™ kinderwagen, maakt u gebruik van een hoge kwaliteit, volledig gecertificeerd en goedgekeurd volgens de Europese veiligheidsnormen EN 1888-2012 & die geschikt is voor gebruik met de Joie Chrome-draagwieg die is goedgekeurd volgens EN 1466:2014/AC:2015. Dit product is geschikt voor kinderen met een gewicht tot 15 kg. Lees deze handleiding zorgvuldig en volg elke stap naar een comfortabele rit en de beste bescherming voor uw kind te waarborgen.

BELANGRIJK - Bewaar deze instructies voor toekomstig gebruik

Bezoek ons op joiebaby.com om de handleiding te downloaden en nog meer geweldige producten van Joie te zien!

Inhoud

Figuren	1-10
AANWEIJZINGEN	61
Kinderwagen montage	62
Opening van kinderwagen	62
Voorwielmontage	63
Achterwielmontage	63
Omgaan met de kinderwagen	63
Kap gebruiken	63
Stoel draaien	63
Kantelen aanpassen	63
Gebruik van gesp	64
Gebruik van schouder en taille harnassen	64
Instellen van de kruisgordel	64
Beensteun verstelling	65
Gebruik van voorasvergedeling	65
Gebruik van rem	65
Hanvat aanpassen	65
Kinderwagen inklappen	65
Gebruik van accessoires	65
Gebruik in combinatie met autostoeltje Joie	65
Gebruik van accessoires	66
Verzorging en onderhoud	67

Nodgeval

In geval van nood of ongeval, het belangrijkste is uw kinderopvang door het verstrekken van eerste hulp of medische behandeling.

Productinformaties

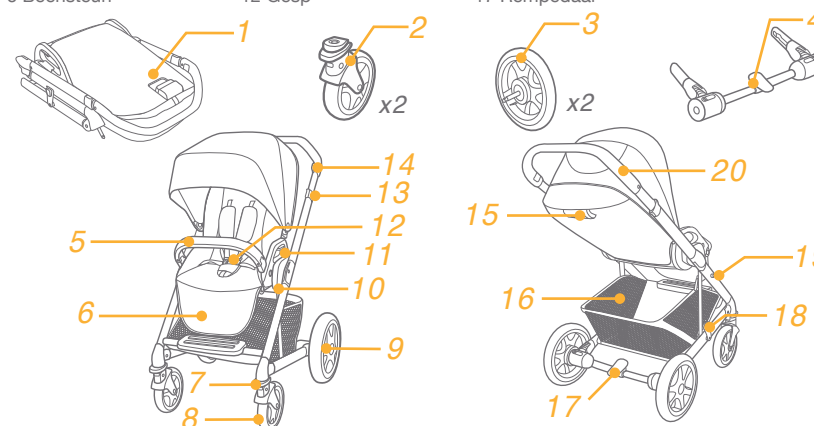
Lees alle instructies in deze handleiding voordat u het product gebruikt. Als u vragen heeft, raadpleeg dan de dealer. Sommige functies kunnen variëren per model.

Product	Kinderwagen Chrome
Geschikt voor	kinderen met een gewicht tot 15kg Kunststof, metaal,
Materialen	textiel
Patent no	In afwachting ervan
Gefabriceerd in	China
Merksnaam	Joie
Website	www.joiebaby.com
Fabrikant	JoieChildren's Product (UK) Limited

Lijst met onderdelen

Vóór de montage, zorg ervoor dat alle onderdelen beschikbaar zijn. Als onderdelen ontbreken, neem dan contact met uw plaatselijke dealer. Voor de montage zijn er geen gereedschap nodig.

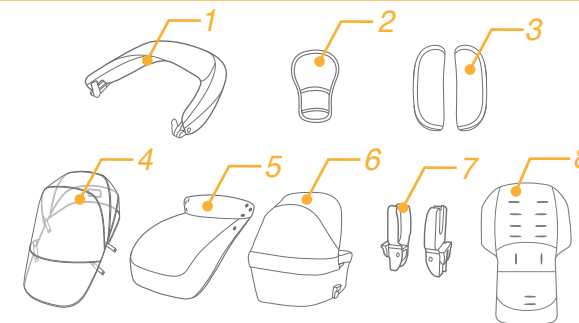
1 Kinderwagen ramen	7 Asvergedeling	13 Schouderharnass	18 Opberg klem
2 Vorwiel (X2)	8 Vorwiel	14 Inklappen knop	19 Opslag vergedeling
3 Achterwiel (X2)	9 Achterwiel	15 Instelknop voor handgreep	20 Handgreep
4 Rem	10 Stoelklem	16 Opbergmaand	
5 Armbar	11 Stoel ontgredelingsknop	17 Rempedaal	
6 Beensteun	12 Gesp		



Toebehoren

(zijn mogelijk niet meegeleverd)

1 Kap
2 Afdekking kruisriemen
3 Afdekking schouderriemen
4 Regenhoes benen
5 Hoes voor
6 Draagbare wieg
7 Adapter
8 Stoelvoering



AANWIJZINGEN

- ! ATTENTIE Gebruik altijd de combinatie tussen de benen met met een taille riem. Wij stellen voor ook de schoudergordels te gebruiken.
- ! ATTENTIE Voor gebruik, zorg ervoor dat alle vergrendelingen worden bediend.
- ! ATTENTIE Zorg ervoor dat uw kind niet met dit product speelt.
- ! ATTENTIE Controleer voor gebruik de kinderwagen vergredeling apparaten of zitsysteem correct zijn aangesloten.
- ! Het is noodzakelijk dat een volwassene de montage verwezenlijkt.
- ! Gebruik de kinderwagen voor een kind met een gewicht van minder dan 15 kg. Als u hde wagen voor een een kind met een ongepast gewicht gebruikt, zal dit leiden tot schade aan de wagen.
- ! Om een gevaarlijke, onstabiele toestand te voorkomen, plaats een gewicht van niet meer dan 4,5 kg in opslag korf.
- ! Laat uw kind nooit zonder toezicht. Houdt toezicht op het kind terwijl het kind in kinderwagen is.
- ! Gebruik de wagen alleen een kind te rijden en niet meer. Plaats nooit portemonnees, boodschappentassen, pakketten op handgreep of accessoires, verwerken op luifel..
- ! In geval van een te hoge belasting, verkeerd inklappen of gebruik van onderdelen van compoente van andere fabrikanten kunt dat de kinderwagen beschadigen of onveilig maken. Lees de gebruiksaanwijzing aandachtig door.
- ! Gebruik nooit met componenten van andere fabrikanten.
- ! Lees alle instructies in de handleiding voordat u dit product gebruikt. Bewaar de handleiding voor toekomstig gebruik. Als u deze waarschuwingen en instructies niet opvolgen, kunnen de gevolgen ernstig letsel of de dood zijn.
- ! Beschermende riemen en bevestigingssysteem moeten correct worden gebruikt.
- ! Om ernstig letsel als gevolg van uitglijden of vallen van de wagen te vermijden, gebruik dan altijd de veiligheidsgordels.
- ! Zorg ervoor dat als u de wagen aanpast uw baby uit de buurt van bewegende delen is.
- ! Het kind kan vervallen in de been openingen en kan stikken als u geen gebruik van de gordel maakt.
- ! Gebruik nooit de kinderwagen op trappen of roltrappen.
- ! Houd het product uit de buurt van hoge temperatuur voorwerpen, vloeistoffen of elektronische artikelen.
- ! Laat uw kind nooit in de kinderwagen of met hoof gerocht op de kinderwagen staan.
- ! Laat de kinderwagen nooit op de straat, hellende of gevaarlijke gebieden.
- ! Zorg ervoor dat alle mechanismen zijn ingesteld voor het gebruik van de wagen.

- ! Om de wurging te voorkomen, plaats GEEN objecten met een touwtje om de nek van het kind, aan de opgeschort elementen van het product en touw ggen hechten aan speelgoed.
- ! Plaats niets op de hendel om kantelen te.
- ! Tilt niet de kinderwagen met het kind binnen..
- ! Gebruik de opslagkorf NIET om kinderen de dragen.
- ! Om kantelen te voorkomen, staan niet toe dat kinderen op de kinderwagen rijden. U moet het kind in en van de kinderwagen tillen.
- ! Om het vangen van vingers te voorkomen, open en inklapp zorgvuldig de wandelwagen.
- ! Zorg ervoor dat de wandelwagen volledig geopend of ingeklapt is, voordat u een kind benaderen laat..
- ! Voor de veiligheid van kinderen, zorg ervoor dat alle onderdelen worden vastgezet voordat u de kinderwagen gebruikt.
- ! Om verstikking te voorkomen, zorg ervoor dat er een aanzienlijke afstand tussen het kind en de luifel is.
- ! Wanneer u de winkelwagen stoppt altijd activeer de remmen.
- ! Stop met het gebruik van de kinderwagen als het defect of beschadigd is.
- ! De wagen moet worden gebruikt bij een loopsnelheid. Dit product is niet bestemd voor gebruik bij het lopen
- ! Om verstikkingsgevaar te voorkomen, , verwijdert de plastic zak en verpakkingsmaterialen, voordat u dit product gebruikt. Plastic zakken en verpakkingsmaterialen moeten uit de buurt van baby's en kinderen worden bewaard.
- ! Dit product is niet geschikt voor gebruik tijdens het joggen of een wandeling met rolschaatsen.
- ! Voor de wagen ontworpen viir gebruik vanaf de geboorte i ser anbevoelen de baby in een gekantelde positie e plaatsen .
- ! De parkeerrem moet worden geactiveerd wanneer u plaatst of tilt het kind uit de kinderwagen.
- ! Draagbare wieg is niet geschikt voor een kind dat kan alleen stijgen, rollen en knieën. Maximale kind gewicht: 9 kg.
- ! Draagbare wieg mag NIET worden gebruikt voor een lange slaap.
- ! Gebruik NIET of voeg niet toe andere matrassen als die die voor de draagbare wieg is voorzien.
- ! Zorg er voor dat het hoofd van het kind in de draagwieg nooit lager komt dan het lichaam van het kind.
- ! Zorg er voor dat de greep in de juiste stand staat voordat u deze gebruikt voor dragen of optillen.
- ! De handgrepen en bodem moeten regelmatig gecontroleerd worden op tekenen van schade en slijtage.

Kinderwagen montage

Lees alle instructies zorgvuldig in deze handleiding voor montage en gebruik van dit product.

Opening van de kinderwagen

Opening van de kinderwagen 1 til de hendel omhoog, 2 een ratel betekent dat de wagen nu volledig open is. Bring derucklening rechtop. 3

! Alvorens verder te gaan controleer dat de kinderwagen volledig open is

Voorwielmontage

Monteer de voorwielen aan de voorzijde steunen. Controleer of de wielen goed zijn bevestigd door trekken aan het wiel systemen. 4

Om de voorwiele te demonteren, verwijder het van de voorbenen 5 - 2 terwijl u de ongedelingselementen naar buiten drukt. 5 - 1

Achterwielmontage

Monteer de achterwielen aan de achterzijde steunen, 6 bevestig de achterwielen aan de remsysteem. 7 Trek de korf slang naar achteren en wikkel de verbindingsslang van de achterpoten met de klep van de opslag mand, en klik de drie knoppen 8 - 1.

! Controleer of de wielen goed zijn bevestigd door trekken aan het wiel systemen..

Om achterwiel te demonteren, koppel de achterwiel uit achterwiel bevestiging los 7 - 2 terwijl u de ontspanknop indrukt. 7 - 1

Montage van de armbar

Lijn de uiteinden met de armbar met de armbar mounts, en plaats te vergrendelen. 9

Om de armbar te demonteren druk de ontgredelingsknop van de armbar 10 - 1 en trek vervolgens de armbar 10 - 2

De compleet gemonteerde wandelwagen wordt getoond als 11

Luifel montage

Plaats de clips van de luifelaan de houder op de tubes si en bevestig de achterklep tot rugleuning met 2 elastische bandjes. 14

De compleet gemonteerde wandelwagen wordt getoond als 11

Omgaan met de kinderwagen

Kap gebruiken

Open de rits en druk de kap naar voren om deze te openen. 12

Druk de kap naar achteren om deze op te vouwen.

Maak de klemmen van de houder los terwijl u het bevestigingslipje indrukt om de kap te verwijderen 13, Maak vervolgens 2 knoppen los (gebruikt om het kapmateriaal aan de stoel vast te maken) en til de kap af. 14

! Na de montage wordt het regelmatig verwijderen van de kap afgeraden.

Stoel draaien

De stoel kan gedraaid worden om de moeder en de baby te blijven van aangezicht tot aangezicht.

Knijp de stoel ontgredelingsknoppen terwijl u heeft de zitting op 15 Draai de stoel en zet het tussen haakjes voor zitting. 16

Kantelen aanpassen

Er zijn 5 posities voor de rugleuning.

Om de rugleuning te kantelen, knijp e aanpassing knop 17 - 1 en vervolgens pass de rugleuning aan te aan een gewenste hoek.. 17 - 2

Om de rugleuning te verhogen, duw omhoog.

! Zorg ervoor dat de leunen goed is ingesteld voor gebruik..

Gebruik van gesp

Gesp loskoppelen

Druk op de middelste knop om de gesp te verkopen. 18

Gesp sluiten

Past de gesp voor de schouder met de gesp voor de taille 19 - 1 en plaats deze in de gesp in het midden. 19 - 2 Een ratel betekend dat het nu volledig gesloten is. 19 - 3

! Om ernstig letsel veroorzaakt door vallen of schuiven te voorkomen, altijd bescherm uw kind met de veiligheidsgordels.

! Zorg ervoor dat het kind stevig vast zit. De ruimte tussen het kind en de gordels is ongeveer een voet

! Steek niet de schouderbanden. Dit veroorzaakt druk op de hals van het kind.

Gebruik van schouder en taille harnessen

! Om het kind tegen vallen te beschermen, nadat het kind zitt, controleer dat de schouder en taille harnessen op de juiste hoogte en lengte zijn

20 - 1 Bevestiging A voor schoudergordel

20 - 2 Bevestiging B voor schoudergordel

20 - 3 Aanpassing

Voor een ouder kind gebruik de vergrendeling voor schouder harnas schouder A en de hoogste spaties voor schouder. Voor een kleiner kind, gebruik de vergrendeling voor schouder harnas schouder B en de lagere spaties voor schouders.

Om de positie van de schoudergordel anker te passen, draait het anker op niveau met de zijde naar voren. Haal het door de schoudergordel slot van achter naar voren. 21 Rijg het door de sleuf die het dichtst bij de kindschouder. 22

Gebruik de schuifregelaar om de lengte van het harnas te wijzigen. 23 - 1

Druk de knop 23 - 2 terwijl u de taille harness op de gewenste lengte aanpasst. 23 - 3

Instellen van de kruisgordel

Er zijn 2 montage posities voor het instellen van de kruisgordel volgens verschillende vereiste.

Positie 1 voor kleinere baby's 24 - 1

Positie 2 Voor grotere baby's 24 - 2

i. Trek de gordel i gemonteerd tussen de benen en plaats deze op niveau. 25 - 1 & 25 - 2

ii. Draai het harnas clip aangebracht tussen de benen om de korte deel naar de voorkant te brengen, haal het vervolgens door de sleuf harnas. 25 - 3 & 25 - 4

iii. Ga terug door het gat het dichtst bij bikinilijn van het kind in het harnas met kruis greep tussen de benen. 24

Beensteun verstelling

Het beensteun heeft 2 posities.

Het verhogen van beensteuning

Om de beensteuning te verhogen, stuw het ophoog.

Het verlagen van ondersteuning

Druk de regelingknoppen op beide zijden van de beensteuning 26 - 1 en draai de ondersteuning naar beneden. 26 - 2

Gebruik van voorasvergredeling

Trek de vooras vergrendelingen op de richting van beweging te houden 27

Advies Het wordt aanbevolen om de asvergrendeling op oneffen oppervlakken te gebruiken.

Gebruik van rem

Om de wielen te vergrendelen, stap op een van de rempedaal. 28

Op de wielen vrij te geven, til de rempedaal. 29

Advies Gebruik de rem altijd als de kinderwagen stilstaat..

Hanvat aanpassen

De hanvat heeft 3 posities

Om de hoogte van de handgreep aan te passen, trekt de hendel omhoog of omlaag 30 - 2 terwijl u de aanpassingsknop op het handvat drukt. 30 - 1

Kinderwagen inklappen

! Voordat u de kinderwagen inklappen, klapp de luifel in.

Druk de schuinstandgreep naar de achterkant van de rugleuning om deze in horizontale stand te brengen. 31

Til de inklappknop druk de inklappedaal, druk de kinderwagen naar voren om in te klappen. 31

De vergredeling sluit automatisch aan de vergredeling element, ende kinderwagen kan complet ingeklappt en vergrendeld worden. 32

Gebruik van accessoires

De accessoires kunne ook seraparat worden gekocht of kunnen niet beschikbaar afhankelijk van de regio zijn.

Gebruik in combinatie met autostoeltje Joie

Voor gebruik met de autostoel Joie gemm raadpleeg de volgende instructies

1. Om de adapter te bevestigen plaats het op zijn plaats op steunen, zoals aangegeven 33 Een ratel betekent dat de adapter volledig geblokkeerd is. 34

2. Om het autozitje bevestigen, plaats het zitje op de adapter, zoals angegeven in 35 Een ratel betekent dat de autostoel volledig geblokkeerd is. 36

3. Om het autozitje te verwijderen til hem op 37 - 1 terwijl u de zwee knoppen A ter wagen ontgredeling drukt. 37 - 2

! IAls u problemen hebt over het gebruik van tde wagen en adapter, verwijz naar uw handleidingen..

! Om de adapter te verwijderen til hem op indien u de twee knoppen drukt

! Verwijder de adapter zoals

Gebruik van de draagbare wieg

Draagbare wieg ensemble

1. Open de draad steun aan beide zijden van reiswieg 40 Vervolgens klikt u op vier kunststoffen, een "klik" geluid betekent dat de steundraad volledig geklikt is 40 - 1

Plaats de matras in reiswieg 41 vervolgensmaak het glad. 41 - 1

! Gebruik altijd de matras als u dedraagbare wieg gebruikt.

! Matras liner kan gemakkelijk worden verwijderd voor reiniging.

2. Instellen van draagbare wieg luifel

Open de luifel, trek de voorkant van de luifel om direct te openen 42

Sluit de luifel. druk op knoppen aan beide zijden van de opklapbare draagbare wieg en sluit de luifel 42 - 1

3. Montage van de benenzak op de draagbare wieg

Plaats de benenzak over de draagbare wieg en bevestig vervolgens de 5 paat klittenband 43- 1

Volledig gemonteerde draagbare wieg ziet uit als 43

Bevestigen van de draagbare wieg

Lijn draagbare wieg zijden met de frame elementen, dan plaats deze recht naar beneden; een ratel betekent dat draagbare wieg volledig geassembleerd is. 44

! Zorg ervoor dat de aanpassing artikelen zijn verwijderd voor het gebruik van draagbare wieg. 45

Verwojderen van de draagbare wieg

Druk op de ontgrendelknoppen aan beide zijden van de draagbare wieg 46 - 1 en tl het vervolgens 46 - 2

Gebruik van voetzak

De zachte voetdekking biedt een warme en comfortabele omgevind voor uw kind.

Monteer de voet zal betrekking hebben op de volgende stappen.

1. Pas de kuitsteun en de rugsteun aan in respectievelijk horizontale stand en achteroverliggende stand voordat u de voetenzak monteert. 47

2. Dek de kuitsteun af met de voetenzak. 48

De gemonteerde voetenzak ziet er zo uit 49

Gebruik van de regenhoes

Om de regenhoes monteren, plaatst deze op de trolley en sluit vervolgens de 2 paar klitthechting en 4 paar oogjes op de trolley. 50

! Voordat u de regenhoes gebruik, controleer of de reiswieg wordt bevestigd.

! Bij gebruik van de regenhoes, controleer dan altijd de ventilatie.

! Wanneer niet in gebruik, moet u controleren of de regenhoes is schoongemaakt en gedroogd voordat u het inklapt.

! Inklap nooit de kinderwagen na het monteren van de regenhoes.

! Plaats uw kind nooit in de kinderwagen met de monteerde regenhoes bij warm weer.

! Te gebruiken onder toezicht van volwassenenen. Niet op een wandelwagen zonder kap gebruiken.

Stoelvoering gebruiken

Zie afbeeldingen ⁵¹

Gebruik afdekking schouderriemen en kruisriemen

De afdekking van de schouderriemen of kruisriemen kan van de riemen worden losgemaakt. Ga in omgekeerde volgorde te werk om de afdekkingen vast te maken.

Verzorging en onderhoud

- ! Afneembare kussens kunnen worden gewassen met koud water en druppelen-gedroogd. Zonder bleken.
- ! Om de wagenram schoon te maken, gebruik dan alleen huishoudelijke zeep en warm water. Gebruik geen bleekmiddelen of detergents.
- ! Af en toe controleer de winkelwagen opdat er losse schroeven, beschadigde onderdelen, materialen of defecte naden. Vervang of repareer die delen.
- ! Overmatige blootstelling aan zonlicht of hitte kan tot verkleuring of vervorming van onderdelen leiden.
- ! Als zich de wagen bevochtigt, open de luifel en laat het goed drogen voordat u het opbergt.
- ! Als de wielen piepen, gebruik dan een lichte olie (bijv. bespoten met siliconen olie, olie tegen roest, of naaimachine olie). Het is belangrijk olie in het wiel of as-systeem te brengen. ⁵²
- ! Bij het gebruik van de kinderwagen op het strand, reinig volledig de kinderwagen na het gebruikt om zand en zout van de wielen mechanismen en structuren te verwijderen.

IT Benvenuti a Joie Joie™

Complimenti per avete diventato parte della famiglia Joie! Siamo molto felici di partecipare al passeggio con il vostro bambino. Mentre passeggiate con Joie CHROME™ si utilizza un carello per bambini di alta qualità, completamente certificato e approvato dalle norme di sicurezza europee EN 1888-2012 & e può essere utilizzato con il lettino da viaggio Joie Chrome conforme agli standard EN 1466:2014/AC:2015. Questo prodotto è adatto per l'uso per i bambini con un peso fino a 15 kg. Leggete attentamente questo manuale e seguite ogni passo per assicurare un passeggio confortevole e la migliore protezione per il vostro bambino. **IMPORTANTE** - Tenete questo istruzioni per un riferimento futuro. Visitate il nostro sito joiebaby.com per scaricare il manuale e vedere più prodotti straordinari di Joie!

Contenuto

Figure	1-10
AVVERTENZE	71
Montaggio del carello	72
Aprire il carello	72
Montaggio delle ruote anteriori	72
Montaggio delle ruote posteriori	73
Montaggio della tenda	73
Montaggio barra per le mani	73
Manovra del carello	73
Uso della capottina	73
Torsione del carellor	73
Regolazione della pendenza	73
Utilizzo della fibbia	74
Utilizzo della imbracatura per spalla e vita	74
Utilizzare l'imbracatura	74
Regolazione del supporto per le gambe	74
Utilizzo del gancio di bloccaggio anteriore	75
Utilizzo del freno	75
Regolazione manico	75
Piegatura del carello	75
Utilizzo degli accessori	75
Cura e manutenzione	77

Caso di emergenza

In caso di una emergenza o di un incidente, la cosa più importante è la cura del vostro bambino fornendo il pronto soccorso o cure mediche immediate.

Informazioni sul prodotto

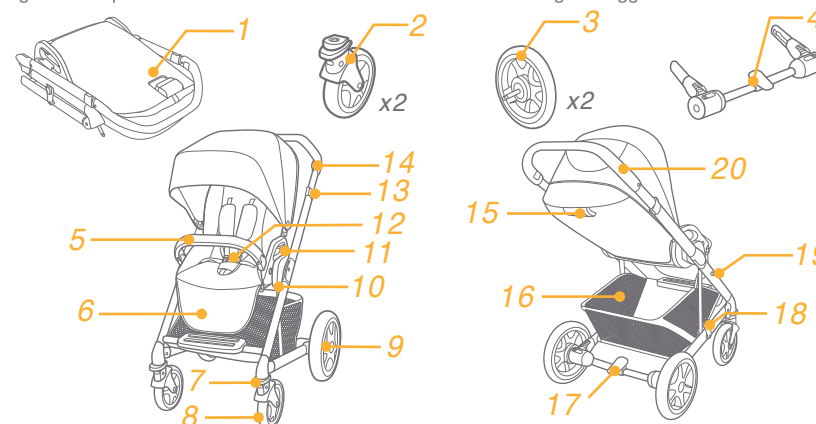
Leggete tutte le istruzioni di questo manuale prima di utilizzare il prodotto. Se avete domande, si prega di consultare il commerciante. Alcune caratteristiche possono variare secondo il modello.

Prodotto	Carello per bambini Chrome
Corrisponde per	Bambino con peso fino a 15 kg
Materiali	Plastica, metallo, tessuti
No. brevetto	Brevetti in attesa
Prodotto in	China
Nome marca	Joie
Sito web	www.joiebaby.com
Fabbricante	JoieChildren's Product (UK) Limited

Lista parti componenti

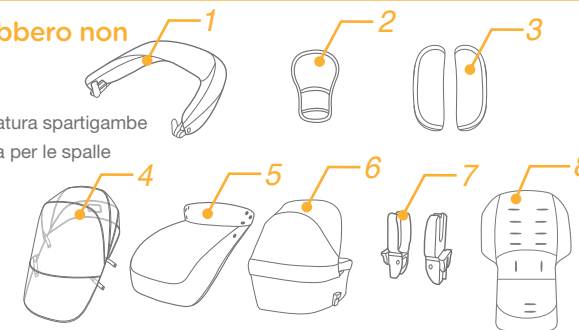
Assicuratevi che tutte le parti sono disponibili prima del montaggio. In caso di componenti mancanti contattare il commerciante locale. Senza bisogno di utensili per il montaggio.

- | | | | |
|----------------------------------|-------------------------|----------------------------|---------------------|
| 1 Struttura carello | 7 Bloccaggio | 13 Imbracatura per spalla | chiudibile a chiave |
| 2 Ruote anteriori (x2) | 8 Ruota anteriore | 14 Pulsante di piego | 19 Bloccaggio |
| 3 Ruote posteriori (x2) | 9 Ruota posteriore | 15 Pulsante di regolazione | immagazzinaggio |
| 4 Gruppo di fenatura | 10 Montaggio sedia | 16 Cestino di stoccaggio | 20 Manico |
| 5 Barra per le mani | 11 Pulsante di rilascio | 17 Pedale del freno | |
| 6 Supporto pe le gamba del perno | 12 Fibbia manico | 18 Immagazzinaggio | |



Accessori (potrebbero non essere inclusi)

- | | | |
|----------------|--|---|
| 1 Capottina | 2 Copertura imbottita dell'imbracatura spartigambe | 3 Copertura imbottita della cintura per le spalle |
| 4 Parapioggia | 5 Poggiatesta | 6 Culla portatile |
| 7 L'adattatore | 8 Fodera sedile | |



AVVERTENZE

- ! **ATTENZIONE** Usate sempre la combinazione tra le piedi con la cintura per vita. Si consiglia di utilizzare le bretelle.
- ! **ATTENZIONE** Prima di utilizzare assicuratevi che tutti i dispositivi di bloccaggio vengano azionati.
- ! **ATTENZIONE** Non permettere al vostro bambino di giocare con questo prodotto.
- ! **ATTENZIONE** Prima di utilizzare assicuratevi che il corpo del carrello e i dispositivi di fissaggio del sedile sono gestiti correttamente.
- ! È necessario che un adulto realizzi il montaggio.
- ! Utilizzate il carrello per un bambino che pesa meno di 15 kg, Si se utilizza per bambini con un peso inadeguato questo può causare danni al carrello.
- ! Per evitare una condizione pericolosa, instabile non mettere un peso maggiore di 4,5 kg nel cestino di stoccaggio.
- ! Non lasciate il bambino incustodito. Guardate sempre il bambino mentre è nel carrello.
- ! Utilizzate il carrello solo per passeggiare un solo bambino e non più. Mai depositare borse, sacchetti, pacchetti o accessori nel manico o la tenda.
- ! Il sovraccarico, il piego in un modo improprio o l'uso di componenti di base di altri produttori può provocare danni al carrello, distruggerlo o renderlo insicuro. Leggete attentamente il manuale di istruzioni.
- ! Non utilizzare il passeggino con parti di altri produttori.
- ! Leggete tutte le istruzioni riportate nel manuale prima di utilizzare questo prodotto. Conservate il manuale di istruzioni per un riferimento futuro. Se non seguite queste avvertenze e le istruzioni, le conseguenze potrebbero essere gravi lesioni o la morte.
- ! Le cinture di sicurezza e i sistemi di mantenimento dovrebbero essere usati correttamente.
- ! Per evitare lesioni gravi da cadute o scivoli, usate sempre la cintura di sicurezza.
- ! Assicuratevi che quando regolate il carrello il corpo del vostro bambino è lontano delle parti in movimento.
- ! Il bambino può scivolare nelle aperture per le gambe e potrebbe essere strangolato se non si utilizza le imbracature.
- ! Non utilizzate mai il carrello sulle scale o scale mobili.
- ! Tenete il prodotto lontano da oggetti ad alta temperatura, liquidi o oggetti elettronici.
- ! Non permettere al vostro bambino di stare in piedi nel carrello o essere collocato con la testa verso la parte anteriore del carrello.
- ! Non mettete il carro nelle strade, piste o aree pericolose.
- ! Assicuratevi che tutti i meccanismi sono impostati correttamente prima di usare il carrello.
- ! Per evitare lo strangolamento, non individuare articoli con una cintura

intorno al collo del vostro bambino, sospendete le cinture di questo prodotto o allegate quiete ai giocattoli.

- ! Non mettete nulla sul manico per evitare il ribaltamento.
- ! Non sollevate il carello con il bambino all'interno.
- ! Non mettete un bambino nel cestino di stoccaggio.
- ! Per evitare il ribaltamento, non permettete al bambino di cavalcare sul carrello. Sollevate sempre il bambino del e nel carello.
- ! Per evitare di schiacciarsi le dita, aprire e piegare il carello attentamente.
- ! Assicuratevi che il carello è completamente aperto o piegato prima di consentire a un bambino di essere vicino al carello.
- ! Per la sicurezza del bambino, assicuratevi che tutti i componenti vengono assemblati e fissati opportunamente prima di usare il carrello.
- ! Per evitare lo strangolamento, assicuratevi che è un notevole divario tra il bambino e la tenda.
- ! Applicate sempre i freni quando parcheggiate il carello.
- ! Non utilizzate mai il carrello se è difetto o danneggiato.
- ! Il carrello deve essere utilizzato ad una velocità di passeggiare. Questo prodotto non è destinato ad essere utilizzato per correre.
- ! Per evitare il soffocamento, prima di utilizzare questo prodotto, rimuovete i sacchetti di plastica e i materiali di imballaggio. I sacchetti di plastica e i materiali di imballaggio devono quindi essere tenuti lontano dai neonati e bambini.
- ! Questo prodotto non è adatto per l'uso mentre correte o camminate con i pattini.
- ! Il carello per neonati è raccomandato di essere utilizzato nella posizione più incline per i neonati.
- ! Il dispositivo di parcheggio deve essere attivato nel collocamento o il sollevamento del bambino.
- ! La culla portatile non è adatta per un bambino che può salire da solo, rotolarsi e può andare nelle ginocchia. Il peso massimo del bambino: 9 kg.
- ! La culla portatile NON deve essere utilizzata per un lungo sonno.
- ! NON usate o aggiungere materassi diversi da quelli forniti per le culle portatili.
- ! Assicuratevi che la testa del bambino nella culla portatile non sia mai ad un'altezza inferiore al suo corpo.
- ! Assicuratevi che la maniglia sia nella corretta posizione d'uso prima del trasporto o del sollevamento.
- ! Utilizzare esclusivamente parti di ricambio fornite o approvate dal costruttore.

Il montaggio del carello

Leggete tutte le istruzioni di questo manuale prima di montare ed utilizzare questo prodotto

Aprire il carello

- ! Prima di continuare controllate se il carello è completamente aperto.

Separate la serratura di stoccaggio dal supporto di stoccaggio **1** e sollevate la maniglia **2**, un clic significa che il passeggino è completamente aperto. Riportate lo schienale in posizione verticale. **3**

Il montaggio delle ruote anteriori

Montate le ruote anteriori ai piedi anteriori. Controllate se le ruote sono collegate correttamente tirando i gruppi delle ruote. **4**

Per smontare la ruota anteriore separate la ruota dal piede anteriore **5 - 2** tirando il pulsante di rilascio. **5 - 1**

Il montaggio delle ruote posteriori

Fissate il gruppo del freno sulle zampe posteriori **6**, collegate le ruote posteriori sul gruppo di freno **7**. Tirate indietro il tubo del cestello e avvolgete il tubo di collegamento delle gambe posteriori con la banda di stoccaggio del cesto e quindi azionate tre pulsanti **8 - 1**.

! Controllate se le ruote siano collegati correttamente impegnando il gruppo delle ruote.

Per smontare la ruota posteriore, separate la ruota dal supporto posteriore **7 - 2** premendo il pulsante di rilascio. **7 - 1**

Montaggio barra per le mani

Allineate le estremità della barra con portacanne per le mani e mettete queste per adattarsi **9**

Per rimuovere la barra per mani premete il pulsante di rilascio della barra per le mani **10 - 1** e tirate la barra per le mani **10 - 2**

Il montaggio della tenda

Inserite le fascette della tenda nei supporti su tubi e fissate la banda posteriore su schienale con 2 bande **14** elastiche.

L'immagine **11** mostra il carrello completamente assemblato.

Manovra del carello

Uso della capottina

Aprire la cerniera a lampo, quindi spingere in avanti la capottina per aprirla. **12**

Per piegare la capottina, tirarla all'indietro.

Per rimuovere la capottina, sganciare i fermagli dal supporto mentre si preme la linguetta di fissaggio **13**, quindi aprire 2 paia di bottoni (usati per fissare il tessuto della capottina al sedile) e sollevare la capottina. **14**

! Una volta montata, si consiglia di non rimuoverla di frequente.

Giro sedia

Il sedile può essere ruotato che la madre e il bambino sedersi faccia a faccia.

Premete i pulsanti di rilascio mentre sollevate la sedia **15** Girate la sedia e metterlo tra i parentesi per il sedile. **16**

Regolazione della pendenza

Lo schienale ha 5 angoli.

Per inclinare lo schienale, serrate il pulsante di regolazione **17 - 1** e quindi regolate l'inclinazione dello schienale. **17 - 2**

Per alzare lo schienale, spingete verso l'alto.

! Assicuratevi che l'inclinazione è impostata per l'utilizzo.

Utilizzo della fibbia

Disaccoppiamento della fibbia

Premete il pulsante centrale per disaccoppiare la fibbia. **18**

Blocco della fibbia

Regolate la cintura per vita con la sulle spalle **19 - 1**, e premete nel centro della fibbia. **19 - 2** Un cricchetto significa che ora la fibbia è stato completamente bloccata. **19 - 3**

! Per evitare lesioni gravi da cadute o scivoli dal carrello, sempre collegate il bambino con la imbracatura.

! Assicuratevi di proteggere il bambino in modo confortevole. Lo spazio tra il bambino e la cintura per spalla è quanto di una palma di spessore.

! Non incrociare le cinture per la spalla. Questo causara pressione sul collo del bambino

Utilizzo delle imbracature per la spalla e la vita

! Per proteggere il bambino di cadute dal carello, dopo che posizionate il bambino nel seggiolino, controllate se le imbracature per la spalla e la vita sono alla altezza e lunghezza appropriata.

20 - 1 Ancora A della imbracatura per la spalla

20 - 2 Ancora B della imbracatura per la spalla

20 - 3 Dispositivo di regolazione scivolante

Per un bambino più grande utilizzate l'ancora A della imbracatura per la spalla e i spazi per la spalla più alti. Per un bambino più piccole, utilizzate l'ancora B della imbracatura per la spalla e i spazi per la spalla più bassi.

Per regolare la posizione della regolazione del cablaggio, ruotate il dispositivo di regolazione al livello con la parte davanti. Passate sul retro del cablaggio pe la spalla tramite lo spazio antistante. **21** Attraversate di nuovo la zona più vicina all'altezza delle spalle del bambino. **22**

Utilizzate il dispositivo di regolazione scivolante per modificare la lunghezza della imbracatura **23 - 1**

Premete il pulsante **23 - 2** mentre fissate la imbracatura per la vita nella lunghezza appropriata. **23 - 3**

Utilizzare l'imbracatura

Esistono 2 posizioni per il regolamento dell'imbracatura montato tra le gambe, secondo le diverse esigenze.

Posizione 1 Per bambini più piccoli **24 - 1**

Posizione 2 Per bambini più grandi **24 - 2**

i. Tirare l'imbracatura con montaggio tra le gambe e posizionarlo al livello. **25 - 1 & 25 - 2**

ii. Girare il morsetto dell'imbracatura con montaggio tra le gambe per portare la parte più corta avanti e poi farlo passare attraverso la fessura dell'imbracatura. **25 - 3 & 25 - 4**

iii. Vai indietro attraverso il foro più vicino alla zona inguinale del bambino davanti alla briglia con fissaggio tra le gambe. **24**

Regolazione del supporto per le gambe

Il supporto per le gambe ha 2 posizioni

Il sollevamento del supporto per le gambe

Per sollevare il supporto per la gamba sollevate.

Abbassamento del supporto per le gambe

Premete il pulsante di regolazione su entrambi i lati del supporto per le gambe **26 - 1** e girate il supporto per le gambe verso il basso **26 - 2**

Utilizzo del blocco del gancio anteriore

Tirare i dispositivi di blocco dell'asso anteriore per mantenere la direzione di movimento. **27**

Consiglio Si raccomanda utilizzare i dispositivi di bloccaggio del gancio su superfici irregolari.

Utilizzo del freno

Per bloccare le ruote, fate click su i pedali di freno. **28**

Per sollevare le ruote, solo sollevate i pedali di freno. **29**

Consiglio Utilizzate il freno ogni volta che viene fermato il carrello.

Regolare la maniglia

Il manico ha 3 posizioni

Per regolare l'altezza del manico, tirate la leva verso l'alto o verso il basso **30 - 2** premendo il pulsante di regolazione del manico. **30 - 1**

Piegatura del carello

! Veuillez plier le baldaquin avant de plier la poussette.

Premere la maniglia di reclinazione sul retro dello schienale per ruotare lo schienale in posizione orizzontale. **31**

Sollevate il pulsante di piego premete in basso la pedale di piego, spingete il carello davanti per il piego. **31**

Il blocco di stoccaggio otterrà automaticamente sul supporto di stoccaggio, e poi passeggino può essere piegato e bloccato completamente. **32**

Utilizzo degli accessori

Gli accessori possono essere commercializzati separatamente o è possibile di non essere disponibile a seconda della regione.

Utilizzo con il seggiolino per auto Joie

Nel utilizzo con il seggiolino per auto Joie gemm vedete le istruzioni riportate di seguito.

1. Per fissare il adattatore posizionarlo su supporti come mostrato in. **33** Un cricchetto significa che l'adattatore è completamente bloccato. **34**

2. Per fissare il seggiolino auto posizionate la sedia per adattatore come mostrato in. **35** Un cricchetto significa che il seggiolino per auto è completamente bloccato. **36**

3. Per rimuovere il seggiolino auto sollevarlo **37 - 1** premendo i due pulsanti A di rilascio del carello. **37 - 2**

! Se avete problemi sull'utilizzo del carrello e del adattatore, consultate i rispettivi manuali di istruzioni.

! Per rimuovere l'adattatore sollevarlo **38 - 2** premendo i due pulsanti di rilascio **38 - 1**

! Rimuovete l'adattatore come mostrato nella **39**

Utilizzo della culla portatile

Culla portatile insieme

1. Aprite il supporto per fili da entrambi i lati della culla portatile **40** poi fissate su le quattro plastica. Un cricchetto significa che il supporto per i fili è fissato completamente **40 - 1**

Așezați salteaua în pătuțul portabil **41** apoi întindeți-o **41 - 1**

! Utilizzate sempre il materasso nel uso della culla portatile /

! Il rivestimento del materasso può essere rimosso facilmente per la pulizia.

2. Regolazione della tenda del letino portatile

Aprite la tenda, tirate la parte anteriore della tenda per aprirla direttamente. **42** Chiudete la tenda, premete i pulsanti di piego su entrambi i lati della culla pieghevole portatile e chiudete la tenda **42 - 1**

3. Il montaggio del coperchio per piedi su il letino portatile. Posizionate il coperchio per piedi sulla culla portatile, quindi collegate le 5 paia di elementi di fissaggio in velcro **43 - 1**

La culla portatile completamente assemblata si presenta come **43**

Montaggio del culla portatile

Allineate i lati della culla portatile sui elementi del telaio, e quindi posizionarlo in linea retta verso il basso, un cricchetto significa che la culla portatile è assemblata completamente. **44**

! Assicurarsi che le voci di regolazione sono stati rimossi prima di usare la culla portatile. **45**

Eliminazione della culla portatile

Premete i pulsanti di rilascio su entrambi i lati della culla portatile **46 - 1** e quindi sollevarlo **46 - 2**

Utilizzo custodia per le gamba

La custodia pe piedi morbida fornisce al vostro bambino un ambito caldo e confortevole

Montate la custodia per piedi seguendo i passi.

1. Regolare il supporto per la gamba e lo schienale rispettivamente in posizione eretta e in posizione di reclinazione prima di montare il sacco coprigambe. **47**

2. Coprire il supporto per la gamba senza il sacco coprigambe. **48**

Il sacco coprigambe montato è come in **49**

Utilizzo della parapioggia

Per il montaggio della copertura antipioggia, posizionarla sopra il passeggino e collegare le 2 coppie di ganci e anelli di fissaggio e le 4 coppie di occhielli sul quadro del passeggino **50**

! Prima di utilizzare la parapioggia, assicuratevi che la culla portatile è stata.

! Quando si utilizza la parapioggia controllate sempre la ventilazione.

! Quando non si utilizza, controllate se la parapioggia è stata pulita e asciugata prima della piegatura.

- ! Non piegate il passeggino dopo il montaggio della parapigioggia.
- ! Non posizionate il bambino nel passeggino con la parapigioggia installata in estate.
- ! Da utilizzare con la supervisione di un adulto. Non utilizzare su un passeggino senza tettuccio.

Uso della fodera sedile

Vedere le figure ⁵¹

Uso della copertura imbottita della cintura per le spalle e della copertura imbottita dell'imbracatura spartigambe

La copertura imbottita della cintura per le spalle o la copertura imbottita dell'imbracatura spartigambe possono essere rimosse dalle cinghie. Montare la copertura imbottita della cintura per le spalle e la copertura imbottita dell'imbracatura spartigambe in senso inverso.

Cura e manutenzione

- ! Il cuscino per la seduta rimovibile può essere lavato con acqua fredda e asciugato senza pieghe. Senza sbiancamento.
- ! Per pulire il quadro del carrello, usate solo sapone di Marsiglia e acqua calda. Non usate agenti di sbiancamento o detersivi.
- ! Occasionalmente controllate il carrello per paura che dovesse viti allentate, parti usurate, materiali o cuciture difetti. Sostituite o riparate quelle parti.
- ! Una esposizione eccessiva ai raggi solari o al calore può causare scolorimento o deformazioni delle parti.
- ! Se il carrello è umido, aprite la tenda e lasciatelo asciugarsi completamente prima di depositarlo.
- ! Se le ruote squittiscono, utilizzate un olio leggero (es. Spray al silicio, olio contro la ruggine o olio per la macchina da cucire). È importante di mettere l'olio nel sistema delle ruote o nell'asso. ⁵²
- ! Quando si utilizza il passeggino sulla spiaggia, pulite completamente il carrello in seguito per rimuovere la sabbia e il sale dai meccanismi e i sistemi delle ruote.

Joie ailesine girdiginizin icin tebrik ederiz! Bebeğinizin seyahatine eşlik etmekten çok mutluyuz. Joie Chrome bebek arabası aldığınız zaman yüksek kaliteli, tamamı ile sertifikalı, EN1888-2012 Avrupa standardına uygun olarak üretilmiş bir arabaya sahip olursunuz. Ayrıca arabanızı EN1466:2014/AC:2015 standardına uygun Chrome portbebe ile beraber kullanabilirsiniz. Bu ürün 15 Kg altı çocukların kullanımına uygundur. Bu kılavuzu dikkatlice okuyunuz ve çocuğunuzun rahatı ve koruması için tüm adımları uygulayınız.

ONEMLI- Kullanım kılavuzu ileride referans olarak kullanmak üzere saklayınız.

Klavuzların yuklenmesi icin Joiebaby.com adresine ziyaret edin ve daha fazla Joie ilginç ürünlerin görün

İçindekiler

Fotograflar	1-10
UYARILAR	81
Cocuk arabasi montaji	82
Cocuk arabasi acilmasi	82
On tekerlekler montaji	82
Arka tekerlekler menotaji	83
Golgelik montaji	83
El cubugu montaji	83
Bebek arabasi kullanmasi	83
Tenteyi Kullanin	83
Koltuk cevirmesi	83
Egim ayarmasi	83
Toka kullanimi	83
Omuz ve bel kemerleri kullanimi	84
Kasik Kemerini Kullanin	84
Destek ayagi ayari	84
On mili bloke kullanimi	84
Fren kullanimi	85
Kol ayarlamasi	85
Bebek arabasi katlanmasi	85
Aksesuar kullanimi	85
Bakim ve onarim	87

Acil

Acil ve kaza durumlarda, ilk once cocugunuz bakin ve ilk yardim ve tedavi vermek cok onemlidir

Urunile ilgili bilgileri

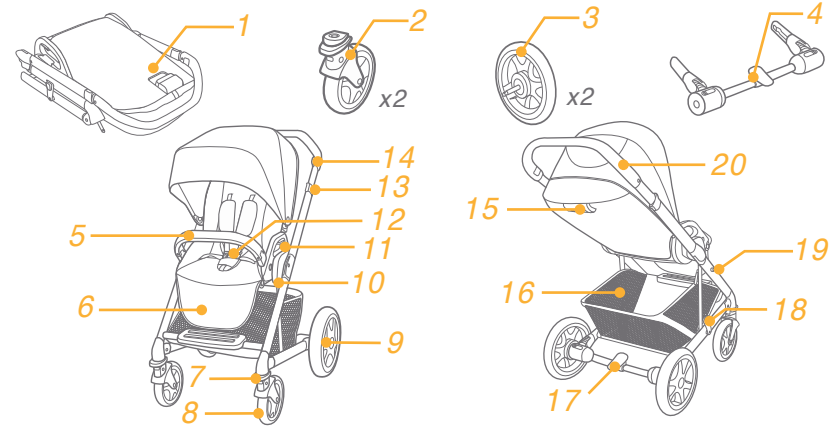
Urunun kullanmadan once kullanma klavuzundan tum taliatların okunun. Eger sorun varsa tucarinin arayin. Bazen ozellikler modele gore degisir.

Urun	Chrome cocuk arabasi
Uygunluk	15 kg a kadar cocuklar icin
Malzemeler	Plastik, Demir ve kumas
Patent no.	Alinmak durumda
Uretilmis ulkede	Cin
Marka adini	Joie
Site web	www.joiebaby.com
Uretici	JoieChildren's Product (UK) Limited

Parca listesi

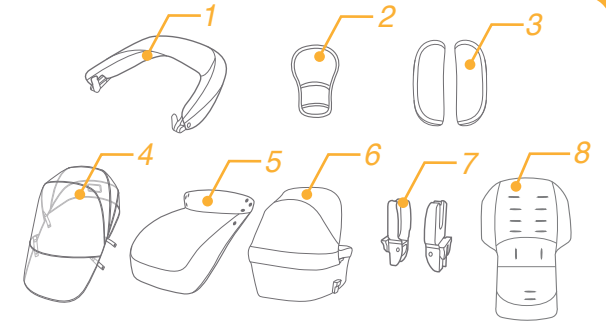
Montaj icin tum parcalari kullanilabilir oldugundan emin olun. Parcalari eksik olursa , yerel tucarin ile irtibat kurun. Montaj icin alet gerekmez

1 Bebek arabasi cercevesi	6 Ayak destegi	brakma dugmesi	16 Depolanma sepeti
2 On tekerlek (X2)	7 Mil kilidi	12 Toka	17 Fren pedali
3 Arka tekerlek (X2)	8 On tekerlek	13 Omuz kemeri	18 Depolanma kiliti
4 Fren toplulugu	9 Arka tekerlek	14 Katlanma dugmesi	19 Depolanma bloke edilen cihaz
5 El cubugu	10 Koltuk montaji	15 kol ayarlanma dugmesi	20 Kol
	11 Koltuk serbest		



Aksesuarlar (Satın alınan urune dahil olmayabilir)

- 1 Tente
- 2 Kasik Takımı Tampon Kılıf
- 3 Omuz Takımı Tampon Kılıf
- 4 yağmur kapak
- 5 Ayak ortusu
- 6 Portatif besik
- 7 Adaptorun
- 8 Koltuk Astar



UYARILAR

- ! DİKKAT Bel ve ayak arası kemerleri kullanın. Sirt için kemeri kullanmaya tevsi ediyoruz
- ! DİKKAT Kullanmaktan önce, tüm mandalların aktif olduğundan emin olun
- ! DİKKAT Çocuk ürünü ile oynamasını bırakmayın.
- ! DİKKAT Kullanmadan önce, koltuğun bagalanti cihazları ve puset gövdesi sabitleştirmesini doğru olduğuna emin olun.
- ! Montajı yetiskinler tarafından yapılır.
- ! Puset maksimum 15 kg a kadar çocuklar için üretilmiş. Yanlış bir ağırlık puseti bozabilir
- ! Telikli şartları ve sabitleşme eksikliğini önlemesi için , eşya taşıma sepetinde 4,5 Kg fazla ağırlı koymayın.
- ! Cocuğunuzu yalnız bırakmak tehlikeli olabilir. Puset icinden bulunduğun zaman her zaman cocuğunuzu bakın.
- ! Puseti sağdece çocuğu için kullanın. Puset kollarına ve golgeliklerine cantalar, alisveris ile icinde bulunan posetlerin, paket veya aksesuarları koymayın.
- ! Fazla yük koyduğunuz zaman, yanlış katlamadığı zaman veya başka üreticinin parçaları kullandığınız zaman puset hasarlanabilir, bozabilir ve sabit olmayabilir. Kullanma Klavuzuna çok dikkatle okununuz.
- ! Başka üreticilerden parçalarını pusetine kullanmayın
- ! Cocuğunuzu yalnız bırakmak tehlikeli olabilir. Puset icinden bulunduğun zaman her zaman cocuğunuzu bakın. İşbu uyarıların ve kullanma klavuzunun yazılanların uygulanmaması tehlikeye veya olumsuz yol açabilir.
- ! Emniyet kemerlerin ve bagalanma sistemleri doğru kullanmasına gerekiyor.
- ! Kayma veya düşmeden olan ağır yaralamalar önlemesi için, her zaman emniyet kemerlerin bagalayın
- ! Puset ayarlamaları yapıldığı zaman , pusetin hareket eden yerlerde yanında çocuğu olmadığına emin olun.
- ! Emyet kemerlerin kullanmadığınız zaman, ayak için boş yerlerde çocuğu kayabilir ve bogulabilir.
- ! Merdivenlerin veya yürüyen merdivenlerinde puseti kullanmayın.
- ! Yüksek sıcaklıkta, sıvı ve elektronik nezemeler uzak tutun
- ! Çocuğu, puset icinde ayakta durmasını veya kafasını puset önünde durmasını bırakmayın.
- ! Sokakta, egim pozisyona ve tehlikeli yerlerde bırakmayın
- ! Puset kullanmadan önce tüm cihazları sabitleştirmesine emin olun.
- ! Bogulmasını önlemesi için, cocuğun boğazının yanında ip ile olan nezneler, ürün askıya elemanlar, ve ip ile bagalanmış oyuncakları bırakmayın.
- ! Devirmesini önlemek için kolda his bir şey koymayın.
- ! Cocuğun icinden çıktığı zaman puseti kaldırmayın. .
- ! Cocuğun taşınması için seati kullanmayın.
- ! Devirmesi önlemek için cocuğun kendisi puseti girmesine bırakmayın.

İçinde vedisariya siz çocuğun koyun.

- ! Parmakların sıkıstirmamasını için, çok dikkatli puseti açın ve katlayın.
- ! Cocuğun yanında bırakmadan önce puset tam açık ve katlanmış olduğuna emin olun.
- ! Cocuğun güvenliği sağlanmak için, kullanmadan önce pusetin tüm parçaları iyi monte ve sabitleştirme yaptığınızna emin olun.
- ! Bogulması önlemesi için , cocuğun golgelik yanında olamadığına emin olun.
- ! Puset durduğunuz zaman , frenleri aktive yapın.
- ! Puset hasarlı veya bozuk olursa o zaman onun kullanmayın
- ! Normal yürümek hızı ile puseti kullanılacak. Ürün kasma amacına yapılmamıştır.
- ! Doğumdan itibaren tasarlanmış bebek arabası için yeni doğan bebeklerin en fazla yagın pozisyona koymasını tavsi ediyoruz.
- ! Bir destek ile beraber kullanan oto koltukların, bu durulardan otomobiller bir besik veya bir yatak yerine değil. Sizin çocuğu istirahat ihtiyacı olduğunuz zaman, o zaman bir bebek arabası veya bir besik veya bir yatak icinde yatirin.
- ! Cocuğun bogulmamasını için, işbu ürün kullanmadan önce plastik ambalajı çıkarın. Plastik torbaları ve ambalajları bebeklerden ve küçük çocukların uzak durmasına gerekiyor
- ! Kosmak ve kaymak yaptığınız zaman ürünün kullanmayın.
- ! Doğumdan itibaren hamak tasarlanmış, ve yeni doğan bebekler için maksimum egim pozisyona ayarlanmasını kullanmaktan tavsi ediyoruz.
- ! Park etme cihazın, cocuğun puset icinde koyduğunuz ve çıkartığınız zamanda aktive edin.
- ! Kendisi ayaktan duran , yanda kendine civiren ve dizlerin üstünde yürüyen bir çocuk için portatif besik kullanmayın.Cocuguk maksimum ağırlık 9 Kg olması gerekiyor.
- ! Uzun bir uyku için portatif besik kullanmayın.
- ! Bebek besigin verildiğın dosek disından başka bir dosek kullanmayın.
- ! Bebek taşıyıcıdaki çocuğun kafasının asla gövdesinden aşağıda olmadığından emin olun.
- ! Taşımadan veya kaldırmadan önce, kulpun doğru konumda olduğundan emin olun.
- ! Le maniglie e il fondo devono essere controllati regolarmente per l'eventuale presenza di segni di danno e usura.

Cocuk arabasi montaji

Ürünü monte ve kullanmadan önce kullanım klavuzunun talimatları çok dikkatli okuyun

Cocuk arabasi acmasını

Depolama kiliti depolama destekten ayırlayın ① ve sonradan kolu yukarıya kaldırın ② , , bir ses duyduğuna zaman bebek arabası tamamen açık olduğu anlamına gelir.Arkalık dikey pozisyona getirin ③

! Devam etmeden önce, ürünün tam açıldığına kontrol edin

On tekerlek montajı

On destegine on tekerlekler monte edin. Tekerleklerin iyi sabitlestirdigine kontrol etmesi icin , tekerlek toplulugunu cektirme yaptigin. **4**

On ayakların demonte yapmak icin, on ayaklardan tekerleklerin cikartin **5 - 2** serbest brakma dugmesini basirdigin zamanda **5 - 1**

Arka tekerlekler montajı

Arka ayaklarda fren toplulugu koyun **6**, arka tekerlekler fren toplulugua monte edin. **7** Sepet borusu arkaya cekin ve arka ayakları bagalanma boru depolanma sepeti bandi ile beraber sarin ve sonradan olan uc dugmenin bastirin. **8 - 1**.

! Tekerlekler dogru montaj edildigine kontrol etmek icin tekerleklerin toplulugu cektirin.

Arka tekerlegin cikartmasi icin tekerlek , arka destekten cikartin **7 - 2** serbest brakma dugmesini bastirin. **7 - 1**

El cubugu montajı

El cubugu sonun destegi ve uygun olan sabitleme yeri siralayin ve sonradan bloke etmesi icin icinde sokun **9**.El cubugu demonte yapmak icin serbest brakma dugmesini bastirin **10 - 1** ve sonradan el cubugu cekin. **10 - 2**

Golgelik montajı

Golgelik tutturucular boru destegi icinde sokun ve arka bandi arkaligina sabitlesin 2 lastili bandlarla. **14**

11 Fotograftan monte edilmiş bebek arabasını gösteriyor.

Bebek arabası kullanımı

Tenteyi Kullanın

Fermuarı açıp, Tenteyi ileri doğru iterek açın. **12**

Tenteyi katlamak için geriye doğru çekin.

Tenteyi çıkarmak için, sabitleme tırnağına basarken, klipsleri yerinden ayırıp **13** , 2 düğme çiftini (tente kumaşını koltuğa takmak için kullanılan) ayırın ve tenteyi kaldırın. **14**

! Bir kez takıldığında, tentenin düzenli olarak çıkarılması önerilmez.

Koltuk cevirmesi

Anne ve cocugu yuz yuze kalmasi icin koltuk cevirilir .

Koltugu kaldirdigin zaman serbest brakmak dugmelerin sikistirin **15** Koltugu cevirin ve koltuk icin olan desteklerinde koyun. **16**

Agin ayarlanması

Arkalik 5 tane acilarin var.

Sirtlign aginmasi icin , ayarlanma dugmesini sikistirin **17 - 1** ve sonradan isedigini acindan arkalıdigin **17 - 2**

Arkaligi kaldirmak iin yukasiya ekin.

! Kullanmak icin egin sabitlestigine emin olun

Toka kullanımı

Toka brakması

Tokaya serbest brakması icin merkezden bulunan dugmenin bastirin. **18**

Tokanın blokmesi

Omuz ve bel tokasını ayarlayın **19 - 1** ve ortadan bulunan tokasını icinde sokun **19 - 2** bir ses duydugunuz zaman komple kapanmış demektir **19 - 3**

! Cocugun kaymasin ve dusmesin nedeni ile olan agir yaralar onlemek icin, her zaman bagalana eminiyet kemerlerin ile korun.

! Cocugun sabit koydugna emin olun. Cocuguk ve kemer arasida boslukların yaklasik bir elde olmasını gerekiyor.

! Emniyet keelerlerin bir birne gecirmeyin. Boylece cocugun boyunu bastiriyorsunuz

Omuz ve boy kemerlerin kullanımı

! Dusme nedenlerini cocugu koruması icin, cocugun sandalyede koyduktan sonra, emniye kemerlerin uygun yuksekligine ve uzunluguna takildigina kontrol edin.

20 - 1 Omuzların bagalanması icin eminiyet kemeri cihazı A

20 - 2 Omuzların bagalanması icin eminiyet kemeri cihazı B

20 - 3 Ayarlama cihazı

Buyuk cocular icin kemerlerin bagalanmak cihazı omuz icin A, ve yukardaki olan delikleri icin kullanin. Kucuk cocukları icin kemerlerin bagalanmak cihazı omuz icin ve asagidaki olan delikleri icin kullanin omuz icin ve asagidaki olan delikleri icin kullanin

Pozisyonu ayarlamak icin omu icin emniyet kemeri bagalanmak cihazı kullanin ve on tarafın seviyesini a kadar kolu cevirin. Arka kemeri deliginden cihazı onunde cektirin. **21** Yeniden cocugun en yuksek omuzların pozisyona en yakin delikten cihazın cektirin. **22**

Kemerlerin uzunlugunu ayarlanması icin yarlama cihazı kullanin **23 - 1**

23 - 2 Dugmeye bastirin , ve aynce zamanda istedigini olcude orta keerin cektirin. **23 - 3**

Kasık Kemerini Kullanın

Ayarlama farklı gereksinimlerine gore bacaklarının arasına 2 pozisyon saglar vardır.

Pozisyon 1 Cucuk bebekler icin **24 - 1**

Pozisyon 2 Buyuk bebekler icin **24 - 2**

i.Bacaklar arası dizginleri cektirin ve seviyede yerlestirin. **25 - 1 & 25 - 2**

ii.En kısa tarafta onunde getirilmesi icin bacaklar arası bagalanma dizginlerin tutturucunu cevirin ve sonrada dizginin yuvasına sokun **25 - 3 & 25 - 4**

iii. Bacaklarının arasına montekasık koşum çocuğa yakınlıktan gidin. **24**

Ayak destegi ayarlanması

Ayak icin destegi 2 pozisyonu ver.

Ayak icin destegi kaldirmasi

Ayak icin destegi kaldirmasi icin onun kaldirin.

Ayak destegi indirmesi

Ayak icin destegin ayarlama dugmelerini tum tarafları bastirin **26 - 1** ve ayak destegi cihazın asagida cevirin. **26 - 2**

On mili blokenin kullanımı

Haraket yonu tutmak için on mili bloke cihazları çekin. ²⁷

Fikir Mili bloke cihazı kullanmasını düzgün yüzeylerinde kullanmasına tavsiye edilir.

Fren Kullanımı

Tekerlekler bloke etmek için fren pedalları aşağıdaki bastırın. ²⁸

Tekerlekler serbest bırakması için fren pedallarını kaldırın. ²⁹

Fikir Bebek arabası durduğunda zaman zaman freni kullanın.

Kol ayarlanması

Kolun 3 pozisyonu var

Kol ayarlanması yapmak için yukarı ve aşağıda çekirin ³⁰ - 2 kolun ayarlanma düğmesini bastırarak. ³⁰ - 1

Bebek arabası katlanması

! bebek arabası katlanmadan önce gölgeyi katlanın.

Arkalığı yatay konumda döndürmek için arkalığın arkasındaki yaslama kulpuna bastırın. ³¹

Katlanma düğmesini kaldırın katlanma pedalı aşağıdaki bastırın , katlanmak için bebek arabasını onundeyiğin. ³¹

Depolanma kilitli otomatik depolanma desteğine bağalanacak ve bebek arabası katlanabilir ve komple bloke edilir. ³²

Aksesuar kullanımı

Satın alınan ürüne dahil olmayabilir

Joie oto koltuğu ile beraber kullanımı

Joie gemm oto koltuğu ile beraber kullandığınız zaman aşağıdaki yazılan talimatları okuyun.

1.Adaptörün koyması için destekten yerleştirmenin fotoğrafına göre ³³ bir ses duyduğunuz zaman adaptör komple bloke edildiğine demektir. ³⁴

2.Oto koltuğu koymak için ³⁵ fotoğrafına göre koltuğun adaptör üstünden koyun. Bir ses duyduğunuz zaman oto koltuğun komple bloke edildiğine demektir. ³⁶

3. Oto koltuğun çıkartmak için yukarıya kaldırın ³⁷ - 1 araba serbest bırakması için çift olan A düğmelerine bastırarak ³⁷ - 2

! Eger arabası ve adaptörün ile ilgili kullanılmaktan problemler çıkarsa, ozaman kullanma kılavuzunu okuyun.

! Adaptörün çıkartması için yukarıya kaldırın ³⁸ - 2 ve aine anda serbest bırakma çift düğmelerini bastırın ³⁸ - 1

! ³⁹ fotoğrafına gibi adaptörün çıkartın.

Portatif bisiklet kullanmasını

Portatif bisiklet montajı

1. Portatif bisiklet her iki tarafından bulunan tel desteklerini acin ⁴⁰ ve dört plastik elemanlarda onların sabitleşirin. Bir ses duyduğunuz zaman, tel için desteği komple sabitleştirdiğine demektir. ⁴⁰ - 1

Portatif bisiklet içinde desteği yerleştirin ⁴¹ ve sonradan ona iletin. ⁴¹ - 1

! portatif bisiklet kullanışından her zaman desteği kullanın

! Yıkamak için desteğin astarı kolayca çıkartabilir.

2. Portatif bisiklet gölge ayarlanması

Gölgeyi acin, ve direkt acılmak için gölgeyi on tarafta çekirin. ⁴²

Gölgeyi kapatmak için her iki tarafta bulunan kalanma düğmelerini birtarararak ve gölgeyi kapatın. ⁴² - 1

3. Portatif bisiklet ayak ortusu montajı.

Portatif bisiklet üstünde ayak ortusu yerleştirin ve sonradan 5 çift kanca ve deliklerin yüzünde geçirin. ⁴³ - 1

⁴³ fotoğrafına göre portatif bisiklet monte edildiğine görünür

Portatif bisiklet takılması

Cerereleştirin, cevenin elemanlarına portatif bisiklet yanlarını sıralayın ve sonradan tam aşağıda yerleştirin, bir ses duyduğunuz zaman portatif bisiklet tam monte edildiğine demektir. ⁴⁴

! Portatif bisiklet kullanmadan önce ayar elemanlarını çıkarıldığını emin olun. ⁴⁵

Portatif bisiklet çıkarılması

Bisiklet her iki tarafından bulunan serbest bırakma düğmeleri bastırın ⁴⁶ - 1 ve sonradan onun çıkartın ⁴⁶ - 2

Ayak ortusu kullanımı

Ayak ortusu yumuşak ve sıcak ve konforlu bir çevre sizin çocuğuna sağlıyor.

Aşağıdaki yazılan adımlar uygulanan ayak ortusu montaj edilir.

1. Ayak kapatici örtüyü monte etmeden önce, baldır desteğini ve arkalığı sırasıyla düz konuma ve yaslama konumuna ayarlayın. ⁴⁷

2. Baldır desteğini ayak kapatici örtüyle kapatın. ⁴⁸

Monte edilen ayak kapatici örtü gösterildiği gibidir ⁴⁹

Yağmur ortusu kullanımı

Yağmur ortusu monte edebilmesi için, araba üzerinde yerleştirin ve sonradan 2 çift kancadan ve doğru bağlantı elemanları ve 4 çift zimba araba çerçevesinde takın. ⁵⁰

! Yağmur ortusu kullanmadan önce portatif bisiklet sabitleştirdiğine emin olun.

! Yağmur ortusu kullandığınız zaman havalandırmasını kontrol edin.

! Yağmur ortusu kullanmadığınız zaman , katlanmadan önce temizlediğine ve kurulduğuna emin olun.

! Yağmur ortusu montaj edildikten sonra bebek arabası katlanmayın.

! Sıcak mevsimden montaj edildiğinde yağmur ortusunu çocuğunuzun bebek arabası içinde koymayın.

! Yetişkin gözetiminde kullanılmalıdır. Gölgelessiz bir bebek arabasında kullanmayın.

Koltuk Astarını Kullanın

Görüntülere bakın ⁵¹

Omuz Takımı Tampon Kılıf ve Kasık Takımı Tampon Kılıfı Kullanın

Omuz takımı tampon kılıf ve kasık takımı tampon kılıf kayıştan çıkarılabilir. Omuz takımı tampon kılıf ve kasık takımı tampon kılıfı, adlarını ters yönde izleyerek monte etmek için.

Bakim ve onarim

- ! Cikarilan minderler soguk suyu ile yikanilabilir ve kurutmak icin dogal kurulmasini brakilacak. Camasir suyu kulanmayin
- ! Puset cercevisi temizlenmek icin normal sabon kullanin ve sicak suyu. Deterjan ve camasir suyu kullanmayin.
- ! Surekli puset gevsemis vidalar, parcalarin bozulmasina, kumas yirtmasina ve yapistirmis nezneler ve dikislerine icin kontrol edin. Yedek parcalarin degisirin veya amir edin.
- ! sicaktan veya guneste uzun zaman kaldigindan urunun solmasini ve parcalarin deforme olmasini nedeni olabilir.
- ! Eger pusetin islanmasini olursa , golgeligi acin ve depolamadan once iyi kurutmasina brakin.
- ! Eger tekerleklerden ses gelirse, hafif bir yag kullanin(ornek olarak silikonlu bir spray, paslanmaya karsi bir yag, veya dikis makinelerin icin bir yag kullanin). Tekerlek toplugumunda ve aksina yag koymasini onemlidir. 🛠️
- ! Eger puset plajda kullanirsa, ozaman kullanildigiktan sonra kumu ve tuzu tekerleklerin topluluktan ve mekanizmalardan uzaklastimak icin komple temizlenin.

KO 반갑습니다!

조이 가족이 되신 것을 축하 드립니다! 당신과 당신 아이의 여행에 동참하게 되어 우리는 매우 설렙니다. 당신과 당신 아이의 여행에 동참하게 되어 우리는 매우 설렙니다. 조이 크롬은 한국 안전기준 및 유럽안전인증 EN 1888-2012 받았으며, 조이 크롬과 함께 사용 가능한 요람은 EN 1466:2014/AC:2015을 완벽히 통과한 고품질 제품입니다. 조이 크롬은 무게가 15kg이하의 아이에게 적합한 제품으로 아이의 안전을 최상으로 보장받기 위해서는 이 사용 설명서를 잘 읽고 따라 하여 편안한 사용이 되시기 바랍니다.

목차

그림	1-10
경고	91
유모차 조립 방법	92
유모차 펴기	92
앞 바퀴 조립	92
뒤 바퀴 조립	92
캐노피 조립	93
안전가드 조립	93
유모차 작동 방법	93
캐노피를 사용하세요	93
양대면 전환	93
등받이 각도 조절	93
버클 사용법	93
어깨 및 허리벨트 사용법	94
가랑이 벨트 사용법	94
종아리 받침 사용법	94
앞 바퀴 회전 잠금	94
브레이크 사용	95
핸들 높낮이 조절	95
유모차 접기	95
악세서리 사용	95
관리 및 유지	97

응급상황

사고가 났을 경우 당신의 아이에게 즉시 응급 조치 및 적절한 치료를 하시는 것이 가장 중요합니다.

제품 정보

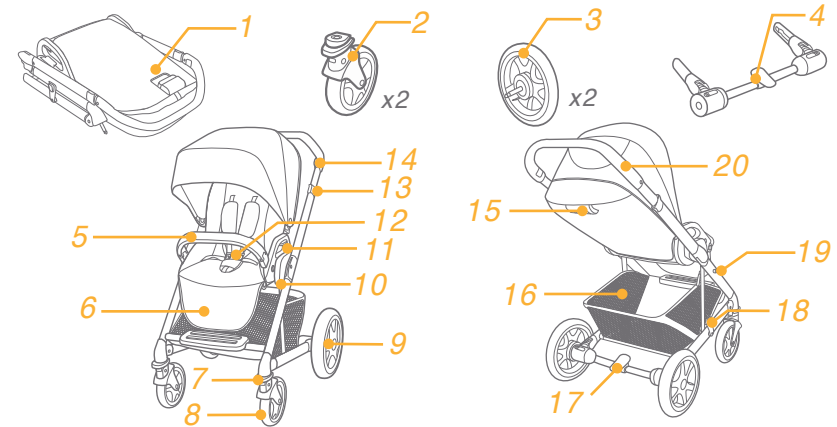
이 제품을 사용하기 전에 설명서에 나와 있는 지시사항을 모두 읽어 보시기 바랍니다. 추가 질문이 있으시면 판매처에 연락하여 주십시오. 모델에 따라서 일부 특징이 다를 수도 있습니다.

제품 크롬 유모차
 사용 기간 무게가 15kg이하의 아이 (신생아 - 36개월)
 재료 플라스틱, 메탈, 패브릭
 특허번호 보류중
 생산지 중국
 브랜드명 조이
 웹사이트 www.joiebaby.co.kr
 제조사 Joie Children's Products (UK) Limited

부품리스트

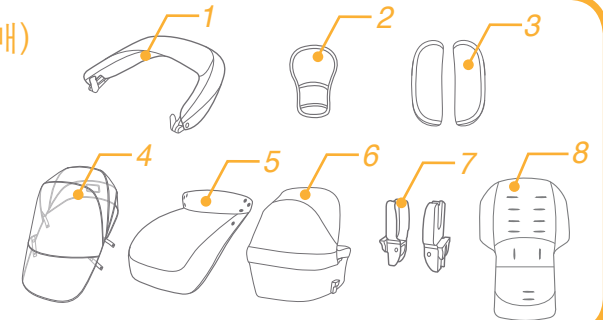
조립 전에 빠진 부품이 없는지 재 확인 바람려 빠진 부품이 있을 시 판매처에 연락 해 주시기 바랍니다. 조립 시 별도의 공구가 필요하지 않습니다.

- | | | | |
|-------------|-------------|----------------|-------------|
| 1 유모차 프레임 | 6 종아리 받침 | 11 시트 분리 버튼 | 16 보관 바구니 |
| 2 앞 바퀴 (x2) | 7 회전 잠금 | 12 버클 | 17 브레이크 페달 |
| 3 뒤 바퀴 (x2) | 8 앞 바퀴 | 13 어깨 벨트 | 18 접힘 고정 걸이 |
| 4 브레이크 조립 | 9 뒤 바퀴 | 14 폴딩 버튼 | 19 접힘 고정 장치 |
| 5 안전가드 | 10 시트 고정 장치 | 15 핸들 높낮이 조절 트 | 20 핸들 |



액세서리 (별도 구매)

- | | | |
|--------|-------------|----------|
| 1 캐노피 | 2 가랑이 벨트 커버 | 3 어깨벨트커버 |
| 4 레인커버 | 5 풋머프 | 6 요람 커버 |
| 7 아담터 | 8 시트 패드 | |



주의

- ! 주의 항상 가랑이 벨트와 허리 벨트를 동시에 사용 해 주시기 바랍니다. 또한 어깨 벨트도 함께 사용하시기를 권장합니다.
- ! 주의 사용 전에 모든 잠금 장치가 잘 작동하는지 확인하십시오.
- ! 주의 아이가 이 제품을 가지고 놀지 않게 주의하십시오.
- ! 주의 유모차 사용 전에 유모차 프레임과 시트가 정확하게 장착 되는지 확인하십시오.
- ! 조립은 성인 해 주시기 바랍니다.
- ! 이 유모차는 무게가 15kg이하의 아이에게 적합 합니다. 그렇지 않을 경우 유모차가 손상을 입을 수 있습니다.
- ! 불안정하거나 위험한 상황을 막기 위해 보관 바구니에 4.5kg이상을 적재하지 마십시오.
- ! 절대 아이를 혼자 두지 마십시오. 아이가 유모차에 앉아 있는 동안에는 부모의 보호 아래 두십시오.
- ! 이 제품에는 한 아이 이상 태우지 마십시오. 핸들이나 캐노피에 가방, 쇼핑백, 물건 또는 어떠한 액세서 리도 놓지 마십시오.
- ! 초과 적재, 부정확한 풀딩 또는 다른 제조사로부터 제작된 악세서리의 사용은 유모차에게 손상 또는 고장의 원인이 되며 안정성에 문제가 됩니다. 사용설명서를 바르게 읽어 주십시오.
- ! 다른 제조사로부터 제작된 악세서리의 사용을 금합니다.
- ! 유모차 사용 전에 이 사용설명서를 읽어 주시기 바랍니다.
- ! 추후 사용을 위해 이 사용설명서를 잘 보관해 주시기 바랍니다. 이 사용설명서의 지시나 경고를 따르지않을 경우 아이가 심각한 부상 또는 사망에 이를 수 있습니다.
- ! 안전벨트는 정확한 방법으로 사용되어야 합니다.
- ! 낙상 또는 미끄러짐 등 심각한 부상을 막기 위해 항상 벨트를 사용하여 주시기 바랍니다.
- ! 유모차 주행 시 움직이는 부위에 아이의 몸이 끼어 있지 않은지 잘 확인합니다.
- ! 계단이나 에스컬레이터에서 유모차 사용을 금합니다.
- ! 높은 온도의 물건, 액체 또는 가전으로부터 유모차를 멀리합니다.
- ! 아이가 유모차에서 일어서거나 머리를 유모차 밖으로 내밀지 않도록 주의 합니다.
- ! 차도나 내리막길 또는 위험한 장소에 유모차를 두지 않도록 합니다.
- ! 유모차 사용 전에 모든 기계장치들이 잘 고정되어 있는지 확인하십시오.
- ! 목 졸림을 막기 위해 아이 목 근처나 주위에 끈이 있는 장남감 또는 물건 등을 두지 마십시오.
- ! 유모차가 기우는 것을 막기 위해 어떠한 물건도 핸들에 걸지 마십시오.
- ! 아이가 유모차에 앉아 있는 동안 유모차를 들지 마십시오.
- ! 보관 바구니를 아이를 실어 옮기지 마십시오.
- ! 유모차가 기우는 것을 막기 위해 아이가 유모차에 기어 오르게 하지 마십시오. 아이를 들어 유모차에태우거나 내리십시오.
- ! 손가락 끼임 현상을 막기 위해 유모차를 접고 펼 때 주의하여 주십시오.
- ! 아이가 유모차 근처에 있을 때에는 유모차가 완전히 접혀 있거나 펼쳐 있는지 확인하십시오.
- ! 아이의 안전을 위해서 유모차 사용 전에 모든 부품이 정확히 조립되고 고정되어 있는지 확인하

십시오.

- ! 목 졸림을 막기 위해 캐노피로부터 아이가 멀리 있는지 확인하십시오.
- ! 유모차에 손상 또는 고장이 있을 시 사용을 즉시 중단 해 주십시오.
- ! 유모차는 걷는 속도로 사용하시기 바랍니다. 이 제품은 조깅을 위한 유모차가 아닙니다.
- ! 질식사의 위험을 피하기 위해서 이 제품 사용 전에 모든 비닐 포장을 제거 해 주십시오. 비닐 포장은 아이의 손이 닿지 않는 곳으로 치워주시기 바랍니다.
- ! 이 제품은 달리기나 스케이팅에 적합하지 않습니다.
- ! 이 제품은 신생아부터 사용할 수 있도록 디자인되었으며 신생아를 위해서는 최대각도로 뒹어 사용하시기 바랍니다.
- ! 아이를 유모차에 태우거나 내릴 때에는 브레이크가 잠긴 상태로 사용하여 주십시오.
- ! 요람은 아이가 스스로 앉거나, 구르기 이전, 손과 무릎으로 짚고 일어서기 전까지만 사용이 적합하며아이의 무게가 9kg이하여야 합니다.
- ! 요람에서의 장시간 수면은 적합하지 않습니다.
- ! 요람에 제공 된 매트리스 이외 추가 매트리스 또는 다른 아이템을 함께 사용하지 마십시오.
- ! 카시트 사용 시에는 프레임에 아답터와 함께 사용하여야 하며 이 제품은 아기침대로 사용 할 수 없습니다. 아이의 장시간 수면을 위해서는 적절한 요람이나 아기침대 사용을 권장합니다.
- ! 절대 유모차 안에 있는 유아의 머리가 몸보다 낮은 위치에 있으면 안됩니다.
- ! 유모차를 운반할 때나 들어올릴 때, 반드시 핸들이 바른 위치에 있게 해주십시오.
- ! 유모차의 핸들과 바닥에 생기는 손상과 마모의 흔적을 정기적으로 점검해야 합니다.

유모차 조립 방법

유모차 사용과 조립 전에 이 사용설명서를 모두 읽어 주시기 바랍니다.

유모차 펴기

- 유모차가 접힌 상태에서 접힘 고정 걸이를 분리하여 ❶, 핸들을 위로 들로 올리고 ❷, 클릭 소리가 면 유모차는 완전히 펴진 상태가 됩니다. 등받이를 들어올려 수직상태로 위치하게 합니다. ❸
- ! 다음 단계 이전에 유모차가 완전히 펴졌는지 확인합니다.

앞 바퀴 조립

의 그림과 같이 유모차 앞쪽에 양쪽 앞 바퀴를 끼워 넣습니다. 앞 바퀴를 당겨보아 제대로 장착되었는지 확인합니다. ❹ 앞 바퀴를 분리하려면 앞 다리로부터 앞 바퀴 분리 버튼 ❺ -1 을 누른 후 잡아 당깁니다. ❺ -2

뒤 바퀴 조립

브레이크를 뒤 다리에 끼워 넣고 ❻, 브레이크 프레임 양쪽에 뒤 바퀴를 끼워 넣습니다. ❼보관용 바구니를 뒤 다리 프레임 쪽으로 당겨 프레임을 감싼 후 보관용 바구니에 달린 3개의 버튼으로 고정합니다. ❸ -1

- ! 뒤 바퀴를 당겨보아 제대로 장착되었는지 확인합니다.

뒤 바퀴를 분리하려면, 브레이크 프레임에 위치한 뒤 바퀴 고정 버튼 ❼ -2 을 누른 후 잡아 당깁니다. ❼ -1

안전가드 조립

안전가드를 유모차 시트에 있는 안전가드 고정 장치 부분과 나란히 위치 하게 한 후 끼워 넣습니다. ⑨
안전가드를 분리하려면 안전가드 분리 버튼 ⑩-1을 누른 채, 안전가드를 앞으로 잡아 당겨 분리합니다.
⑩-2

캐노피 조립

캐노피에 있는 클립을 유모차 시트에 있는 고정 장치에 끼워 넣고, 캐노피 뒤 부분에 있는 2개의 고무줄을 이용해 등받이의 고리에 걸어주십시오. ⑭
안전가드가 장착된 모습은 그림 ⑪ 번을 참고 해 주십시오.

유모차 작동 방법

캐노피를 사용하세요

지퍼를 열고, 캐노피를 펴기 위해 앞으로 당겨주세요. ⑫
캐노피를 접기 위해, 뒤쪽으로 잡아 당깁니다.

캐노피를 분리하기 위해, 캐노피 클립 앞 버튼을 누른 채 당겨 분리하세요. ⑬ 캐노피와 시트 연결을 위해 사용된 2쌍의 버튼을 분리하고, 캐노피를 들어올리세요. ⑭

! 한번 장착하면, 자주 캐노피를 제거하는 것을 권해 드리지 않습니다.

양대면 전환

이 유모차는 양대면이 가능하여 아이와 엄마가 편안하게 얼굴을 마주할 수 있습니다.
시트 분리 버튼을 누른 채 시트를 들어올 ⑮ 반대 방향으로 돌린 후 다시 시트 고정장치에 시트를 끼워 넣습니다. ⑯

등받이 각도 조절

등받이는 5 단계로 조절이 가능합니다.
등받이 각도 조절을 위해서는 조절 버튼을 눌러 ⑰-1 원하는 각도로 위치 하게 합니다. ⑰-2
등받이를 세우려면 앞으로 밀어 올립니다.

! 올바른 사용을 위해서 등받이가 제대로 고정되었는지 확인합니다.

버클 사용법

버클 분리
가운데 분리 버튼을 눌러 분리합니다. ⑱
버클 고정
허리 벨트 버클과 어깨 벨트 버클을 만나게 한 후 ⑲-1, 가운데 버클에 '클릭' 소리가 나게 고정합니다. ⑲-2 '클릭' 소리가 나면 버클은 완전히 고정 된 상태입니다. ⑲-3

- ! 낙상 또는 미끄러짐 등 심각한 부상을 막기 위해 아이에게 항상 벨트를 채워 주시기 바랍니다.
- ! 아이가 편안하고 안전하게 보호되는지 확인 하여 주십시오. 아이와 어깨벨트 끈 사이에 손 두께 정도의 공간이 있는지 확인하여 주십시오.
- ! 어깨 벨트는 교차해서 메지 마십시오. 아이의 목이 압박 될 수 있습니다.

어깨 및 허리벨트 사용법

! 아이의 낙상을 방지하기 위해 아이를 유모차 시트에 앉힌 후 어깨 벨트와 허리 벨트가 알맞은 길이와 높이인지 확인하십시오.

- ⑳-1 어깨 벨트 높이 A
- ⑳-2 어깨 벨트 높이 B
- ⑳-3 길이 조절 클립

큰 아이를 위해서는 어깨 벨트 높이를 A에 위치한 슬롯에 고정하고 작은 아이를 위해서는 어깨 벨트 높이를 제일 낮은 B에 위치한 슬롯에 고정합니다.

어깨 벨트 높이를 조절하기 위해서는 클립을 슬롯을 통과 할 수 있는 방향을 틀어 뒤에서 앞으로 보냅니다.

㉑ 아이의 어깨 높이에 알맞은 위치의 슬롯에 다시 통과 시켜 고정합니다. ㉑

길이 조절 클립을 이용하여 벨트 길이를 조절합니다. ㉒-1

㉒-2의 그림과 같이 옆쪽 버튼을 누른 채 벨트 끈을 당겨 원하는 길이로 조절합니다. ㉒-3

가랑이 벨트 사용법

용도에 따라 가랑이 벨트는 2가지 단계로 조절이 가능합니다.

1단계 작은 아이를 위해서는 ㉔-1에 위치하여 주십시오.

2단계 큰 아이를 위해서는 ㉔-2에 위치하여 주십시오.

- i. 가랑이 벨트를 당겨 ㉕-1 또는 ㉕-2와 같은 위치로 놓아주십시오.
- ii. 가랑이 벨트 클립의 짧은 쪽이 앞을 향하도록 돌려서 ㉕-3 또는 ㉕-4와 같이 가랑이 벨트가 슬롯을 통과할 수 있게 하여 주십시오.
- iii. 아이의 가랑이와 가장 가까운 슬롯에 가랑이 벨트를 다시 채워주십시오. ㉔

종아리 받침 사용법

종아리 받침은 2단계로 조절이 가능합니다.

종아리 받침 올리기

종아리 받침을 올리려면 위로 밀어 올려 주시기 바랍니다.

종아리 받침 내리기

종아리 받침 양쪽에 위치한 버튼 ㉖-1을 눌러 종아리 받침을 아래 방향으로 내립니다. ㉖-2

앞 바퀴 회전 잠금

앞 바퀴 회전 잠금 장치를 아래로 누르면 앞 바퀴가 회전을 멈추고 직진하게 됩니다. ㉗

Tip 앞 바퀴 회전 잠금 사용은 노면이 고르지 못한 길에 사용 하시기를 권장합니다.

브레이크 사용

바퀴를 잠그기 위해서는 브레이크 페달을 아래 방향으로 밟아 주시기 바랍니다. 28

바퀴 잠금을 풀기 위해서는 브레이크 페달을 위로 올려 주시기 바랍니다. 29

Tip 유모차가 멈춰진 상태에서는 항상 브레이크를 사용 해 주시기 바랍니다.

핸들 높낮이 조절

핸들 높이는 3단계로 조절이 가능합니다.

핸들 높낮이를 조절 하기 위해서는 핸들 조절 버튼 30 - 1 을 누른 채 위 또는 아래로 30 - 2 움직여 주시기 바랍니다.

유모차 접기

! 유모차를 접기 전에 캐노피를 먼저 접어 주시기 바랍니다.

등판 뒤에 있는 각도 조절 버튼을 눌러 앞으로 접으세요. 31

유모차 시트 등받이 조절 버튼을 눌러 앞으로 완전히 보낸 후 유모차 폴딩 버튼을 위로 올린 채, 핸들을 앞쪽으로 넘겨 유모차를 접습니다. 31

접힘 고정 길이가 자동으로 고정 장치에 걸려 유모차는 완전히 접히게 됩니다. 32

악세서리 사용

악세서리는 별도로 판매하고 있으며 일부 국가에 따라서는 구매가 가능 하지 않을 수 있습니다.

조이 카시트 사용

조이 젼 (Gem) 카시트와 사용 할 경우 아래 지시사항을 따라 주시기 바랍니다.

1. 아답터를 장착하기 위해서는 33 번 그림과 같이 프레임에 있는 고정장치에 아답터를 끼우고 '클릭' 소리가 나면 아답터는 제대로 고정된 상태입니다. 34

2. 카시트를 장착하기 위해서는 35 번 그림과 같이 아답터에 카시트를 끼우고 '클릭' 소리가 나면 카시트는 제대로 고정 된 상태입니다. 36

3. 카시트를 분리하기 위해서는 카시트 핸들 옆쪽에 위치한 두개의 버튼 37 - 1 을 누른 채 위로 들어 올려 주시기 바랍니다. 37 - 2

! 유모차와 아답터 사용에 있어서 문제 발생 시 각각의 사용 설명서를 확인 바랍니다.

! 아답터를 분리하기 위해서는 아답터의 분리 버 38 -1 을 누른 채 위로 들어올리면 분리됩니다. 38 - 2

! 아답터가 분리된 모습은 그림 39 번을 참조 바랍니다.

! 카시트가 장착된 상태에서 유모차를 접지 마십시오.

요람 사용

요람 조립

1. 요람 안쪽 양쪽에 있는 두 개의 와이어 40 를 네 곳의 플라스틱 고정장치에 '클릭' 소리가 나게 완전히 고정합니다. 40 - 1

요람 안쪽에 매트리스를 깔고 41, 41 - 1, 41 - 1

! 요람 사용 시 항상 매트리스를 사용하시기 바랍니다.

! 매트리스 커버는 쉽게 분리하여 세탁이 가능합니다.

2. 요람 캐노피 조절

캐노피를 앞으로 당겨 고정합니다. 42

캐노피 옆쪽에 위치 한 양쪽 버튼을 눌러 뒤로 젖혀 캐노피를 접습니다. 42 - 1

3. 요람 커버 조립

요람 커버를 요람 위로 위치하게 한 후 5개의 버튼으로 고정합니다. 43 - 1

요람 커버가 장착된 모습은 그림 43

프레임에 요람 장착

아답터가 장착된 프레임에 요람을 나란히 위치하게 합니다.

요람을 아래로 아답터에 '클릭' 소리가 날 때까지 완전히 끼워 넣습니다. 44

'클릭' 소리가 나면 요람은 제대로 고정 된 상태입니다.

! 요람 사용 전에는 항상 아답터를 분리하여 주십시오.

! 요람이 장착된 상태에서 유모차를 접지 마십시오.

요람 분리

요람 양쪽에 있는 분리 버튼 46 - 1 을 눌러, 위로 들어올려 분리합니다. 46 - 2

풋머프 사용

부드러운 풋머프는 아이에게 따뜻하고 편안한 환경을 제공합니다.

다음 단계에 따라 풋머프를 조립하여 주십시오.

1. 풋머프를 장착하기 전에 종아리 받침과 등받침을 평평한 위치와 젖힌 위치에서 각각 조절하세요. 47

2. 종아리 받침을 풋머프로 씌우세요. 48

풋머프가 장착된 모습은 49 번 그림과 같습니다.

레인 커버 사용

레인 커버를 조립하기 위해서는 유모차 위에 레인 커버를 씌운 후 안전가드 옆쪽으로 4쌍의 고정 장치를 이용하여 고정 해 주시기 바랍니다. 50

! 레인 커버 사용 전, 유모차의 시트가 정확하게 고정되었는지 확인합니다.

! 레인 커버 사용 시 항상 통풍 상태를 확인하여 주시기 바랍니다.

! 레인 커버가 장착된 상태에서 유모차를 접지 마십시오.

! 더운 날씨에는 레인 커버가 장착된 상태에서 아이를 유모차에 두지 마십시오.

! 어른의 감독하에 사용되어야 합니다. 캐노피 없이 유모차를 사용하지 마세요.

시트패드를 사용하세요

그림 참조 51

어깨벨트커버와 가랑이 벨트 커버를 사용하세요

어깨벨트커버나 가랑이 벨트 커버는 벨트에서 분리할수 있습니다.어깨벨트커버와 가랑이 벨트를 반대로 조립하기 위해서.

관리 및 유지

- ! 분리가 가능한 시트 패드는 차가운 물에서 세탁이 가능하며 닦아서 말리시기 바랍니다. 표백제의 사용은 금합니다.
- ! 유모차 프레임은 따뜻한 비눗물을 사용해 주시고 이 외 세제나 표백제의 사용을 금합니다.
- ! 유모차에 느슨한 나사, 마모된 부위, 찢어진 부위나 뜯어진 바느질이 없는지 수시로 확인해 주시고 필요 시 수리 또는 부품 교환을 받으시기 바랍니다.
- ! 열 또는 직사 광선 등의 노출은 변색이나 변모의 원인이 될 수 있습니다.
- ! 유모차가 수분에 노출 되고 난 후, 유모차와 캐노피를 열어서 완전히 건조 시킨 후 보관 해 주시기 바랍니다.
- ! 만약에 바퀴에서 소음이 발생 하는 경우 가벼운 오일 (실리콘 스프레이, 녹 방지 오일 또는 재봉틀 오일)을 사용하여 주십시오. 바퀴와 축 사이에 오일이 침투될 수 있게 해주는 것이 중요합니다. 52
- ! 해변에서 유모차를 사용 할 경우, 유모차 사용 후 바퀴 또는 기계장치에 묻은 모래, 소금 등 이물질은 완전히 제거 한 후 재 조립 하여주시기 바랍니다.

Συγχαρητήρια που γίνετε μέλος της οικογένειας Joie. Είμαστε ενθουσιασμένοι που γίνουμε κομμάτι του ταξιδιού σας με το μωρό σας. Καθώς ταξιδεύετε με το Joie CHROME χρησιμοποιείτε ένα καρότσι υψηλής ποιότητας, πλήρως πιστοποιημένο σύμφωνα με τα Ευρωπαϊκά στάνταρτ ασφαλείας EN 1888-2012 και μπορεί να χρησιμοποιηθεί με Joie Chrome-πορτ μπεμπέ το οποίο έχει εγκριθεί με το πρότυπο EN 1466: 2014 / AC: 2015.

Το προϊόν είναι κατάλληλο για χρήση σε παιδιά κάτω των 15kg. Παρακαλώ διαβάστε προσεκτικά τις οδηγίες και ακολουθήστε όλα τα βήματα εξασφαλίζοντας άνετες βόλτες και την καλύτερη προστασία για το παιδί σας.

Κρατήστε το εγχειρίδιο οδηγιών για το μέλλον

Επισκεφτείτε μας στο www.joiebaby.com για να κατεβάσετε το εγχειρίδιο και για να δείτε και άλλα ενδιαφέροντα προϊόντα Joie

Περιεχόμενα

Στοιχεία	1-10
Προσοχή	101
Άνοιγμα καροτσιού	102
Συναρμολόγηση μπροστινών τροχών	102
Συναρμολόγηση Πίσω τροχών	102
Συναρμολόγηση μπάρας	103
Συναρμολόγηση κουκούλας	103
Λειτουργία καροτσιού	103
Χρήση κουκούλας	103
Ρύθμιση διακόπτη θέσης	103
Ρύθμιση ανάκλισης	103
Χρήση ασφάλειας	103
Χρήση ζώνη ώμου και μέσης	104
Ρύθμιση Υποποδίου	104
Χρήση μπροστινού φρένου	104
Χρήση φρένου	104
Ρύθμιση χειρολαβής	105
Κλείσιμο καροτσιού	105
Χρήση αξεσουάρ	105
Φροντίδα και Συντήρηση	106

ΕΠΕΙΓΟΝ

Σε περίπτωση έκτακτης ανάγκης ή ατυχήματος, είναι σημαντικό να έχει το παιδί σας άμεση ιατρική περίθαλψη

Πληροφορίες Προϊόντος

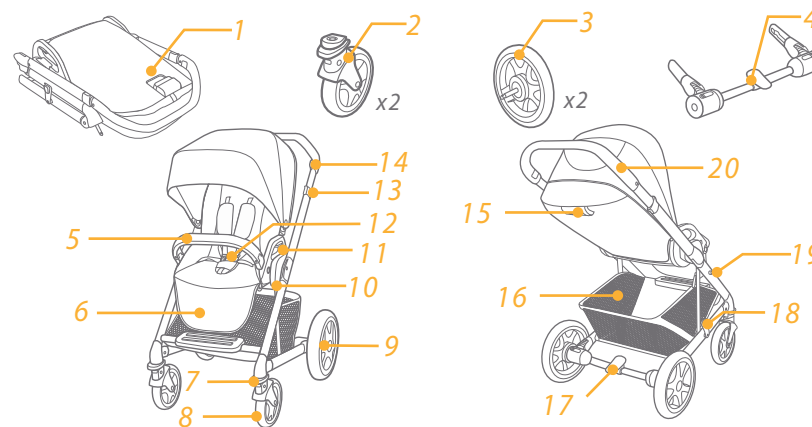
Διαβάστε προσεκτικά τις οδηγίες από το εγχειρίδιο. Σε περίπτωση απορίας επικοινωνήστε με το πωλητή σας άμεσα. Κάποια χαρακτηριστικά μπορεί να διαφέρουν ανάλογα το μοντέλο.

Προϊόν	Chrome καρότσι
Κατάλληλο για	Παιδιά κάτω των 15kg (νεογέννητο-36μηνών)
Υλικά	Πλαστικά, Μεταλλικά Υφάσματα
Patent no	Εκκρεμούν
Κατασκευασμένο	Κίνα
Όνομα Εταιρείας	Joie
Ιστότοπος	www.joiebaby.com
Κατασκευαστής	Joie Children's products (UK) limited

Λίστα

Σιγουρευτείτε ότι όλα τα κομμάτια είναι διαθέσιμα πριν τη συναρμολόγηση. Αν κάποιο κομμάτι λείπει παρακαλώ επικοινωνήστε με τον αντιπρόσωπο σας. Δεν χρειάζονται εργαλεία για τη συναρμολόγηση.

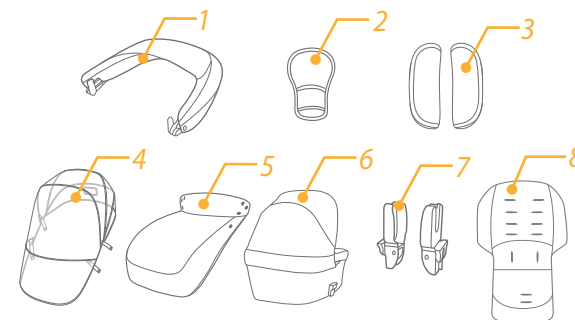
1 Σκελετός καροτσιού	κλειδαριά	13 Κουμπί Αναδίπλωσης	19 Μάνταλο αποθήκευσης
2 Μπροστινοί τροχοί (x2)	8 Μπροστινοί τροχοί	14 Κουμπί Ρύθμισης χειρολαβής	20 Χειρολαβή
3 Πίσω τροχοί (x2)	9 Πίσω τροχοί	15 Χειρολαβή ανάκλισης	
4 Συναρμολόγηση φρένων	10 Θέση	16 Καλάθι	
5 Χειρολαβή	11 Κουμπί Απελευθέρωσης θέσης	17 Φρένο	
6 Υποπόδιο	12 Ασφάλεια	18 Μάνταλο αποθήκευσης	
7 Περιστρεφόμενη			



Αξεσουάρ

(δεν περιλαμβάνονται)

- 1 Κουκούλα
- 2 Μαξιλαράκι ασφάλειας
- 3 Μαξιλαράκια ζώνης
- 4 Κάλυμμα Βροχής
- 5 Ποδιά Ποδόσκακου
- 6 Πορτ Μπεμπέ
- 7 Αντάπτορες
- 8 Υφάσματα



ΠΡΟΣΟΧΗ

- ! ΠΡΟΣΟΧΗ Πάντα να χρησιμοποιείτε το σύμπλεγμα των ζωνών με την ζώνη της μέσης .Προτείνεται να χρησιμοποιείτε την ζώνη ώμων πάντα .
- ! ΠΡΟΣΟΧΗ Σιγουρευτείτε ότι όλες οι ζώνες είναι καλά ασφαλισμένες πριν την χρήση .
- ! ΠΡΟΣΟΧΗ Να τσεκάρετε ότι το σώμα του καρτσιού ή η θέση έχει μπει καλά στο σκελετό και είναι σωστά συνδεδεμένα.
- ! ΠΡΟΣΟΧΗ Μην αφήνετε το παιδί σας να παίζει με το προϊόν.
- ! Η Συναρμολόγηση του καρτσιού να γίνεται από ενήλικα.
- ! Η χρήση του καρτσιού με ένα παιδί που είναι πάνω από 15 κιλά θα προκαλέσει ζημιά στο καρτόσι.
- ! Για να αποτραπεί μία επικίνδυνη ασταθής κατάσταση μην τοποθετείτε στο καλάθι βάρος παραπάνω από 4,5 κιλά.
- ! Ποτέ μην αφήνετε το μωρό σας μόνο του το καρτόσι. Πάντα να το επιβλέπεται
- ! Να χρησιμοποιείτε μόνο με ένα παιδί τι καρτόσι και μην βάζετε σακούλες, τσάντες και πολύ βάρος στις χειρολαβές .
- ! Η υπερφόρτωση, η λάθος αναδίπλωση ή η χρήση εξαρτημάτων άλλων κατασκευαστών μπορεί να προκαλέσουν στο καρτόσι ζημιά ή να σπάσει Διαβάσετε το εγχειρίδιο οδηγιών προσεκτικά.
- ! Παρακαλώ διαβάστε προσεκτικά τις οδηγίες χρήσεως πριν χρησιμοποιήσετε το προϊόν .Κρατήστε τις οδηγίες για το μέλλον. Η Αποτυχία σωστής χρήσης του καρτσιού μπορεί να προκαλέσει σοβαρού τραυματισμούς ή θάνατο.
- ! Οι ζώνες ασφαλείας και το σύστημα συγκράτησης πρέπει να χρησιμοποιούνται σωστά.
- ! Βεβαιωθείτε ότι το σώμα του παιδιού σας είναι σαφές όταν συναρμολογείτε το καρτόσι.
- ! Τα παιδιά μπορεί να γλιστρήσουν από το άνοιγμα τον ποδιών αν δεν χρησιμοποιείτε την ζώνη .
- ! Μην χρησιμοποιείτε το καρτόσι σε σκάλες .
- ! Μην τοποθετείτε αντικείμενα που μπορεί να προκαλέσουν τραυματισμό στο καρτόσι.
- ! Κρατήστε το καρτόσι μακριά από υψηλές θερμοκρασίες ,υγρά ή ηλεκτρονικές μηχανές.
- ! Μην αφήνετε το μωρό σας να είναι όρθιο στο καρτόσι ή να κάθεται ανάποδα με το κεφάλι προς τα κάτω .
- ! Μην αφήνετε το καρτόσι σας σε επικίνδυνους δρόμους, πλαγιές .
- ! Σιγουρευτείτε ότι όλα τα κομμάτια είναι σωστά συναρμολογημένα και ότι το καρτόσι κλείνει σωστά πριν την χρήση του.
- ! Προς αποφυγή στραγγαλισμού μην τοποθετείται προϊόντα με κορδόνια κοντά στο λαιμό του παιδιού σας .
- ! Προς αποφυγή αστάθειας μην βάζετε τίποτα στις χειρολαβές .
- ! Μην γλιστράτε το καρτόσι ενώ το παιδί είναι μέσα.

- ! Μην χρησιμοποιείτε το καλάθι για να βάζετε μέσα το παιδί.
- ! Προς αποφυγή ατυχημάτων μην αφήνετε το παιδί να σκαρφαλώνει στο καρτόσι .
- ! Προς αποφυγή ατυχημάτων στα δάχτυλα να προσέχετε όταν ανοίγετε και κλείνετε το καρτόσι.
- ! Σιγουρευτείτε ότι το καρτόσι είναι καλά ανοιχτό ή κλειστό πριν αφήσετε το παιδί σας κοντά του.
- ! Για να εξασφαλιστεί η ασφάλεια του παιδιού σας παρακαλούμε να βεβαιωθείτε ότι όλοι οι μηχανισμοί έχουν καθοριστεί πριν από τη χρήση του καρτσιού.
- ! Προς αποφυγή του στραγγαλισμού βεβαιωθείτε ότι το παιδί σας είναι μακριά από την κουκούλα.
- ! Πάντα να χρησιμοποιείτε το φρένο όταν έχετε σταματημένο το καρτόσι
- ! Μην χρησιμοποιείτε το καρτόσι αν έχει χαλάσει ή σπάσει .
- ! Η χρήση του καρτσιού είναι καθαρά για βόλτα και όχι για τζόκιν .
- ! Προς αποφυγή ασφυξίας μετακινήστε την πλαστική σακούλα και την σακούλα συσκευασίας από το προϊόν .Η πλαστική σακούλα και η σακούλα συσκευασίας πρέπει να φυλάγονται μακριά από το καρτόσι .
- ! Το προϊόν δεν είναι κατάλληλο για τζόκιν και πατινάζ.
- ! Το καρτόσι έχει σχεδιαστεί για χρήση από 0 και συνιστάται να χρησιμοποιείτε στην μεγαλύτερη ανάκληση για νεογέννητα .
- ! Για τα καθίσματα αυτοκινήτων χρησιμοποιείται σε συνδυασμό με ένα αμάξωμα το όχημα αυτό δεν αντικαθιστά μια κούνια ή το κρεβάτι. Αν το παιδί σας πρέπει να κοιμηθεί τοποθετείστε το σε ένα κρεβάτι .
- ! Παρακαλώ σιγουρευτείτε ότι το κεφάλι του παιδιού στο πορτ μπεμπε δεν θα είναι χαμηλότερα από το σώμα του
- ! Παρακαλώ βεβαιωθείτε ότι η λαβή είναι στη σωστή θέση χρήσης πριν από την ανύψωση.
- ! Οι λαβές και το κάτω μέρος του πορτ μπεμπέ θα πρέπει να επιθεωρούνται τακτικά για σημάδια βλάβης και φθοράς.

Συναρμολόγηση καρτσιού

Παρακαλώ διαβάστε καλά τις οδηγίες χρήσεως πριν χρησιμοποιήσετε το καρτόσι .

Άνοιγμα καρτσιού

Εξωρίστε την ασφάλεια κλειδώματος από το κλιπ **1** και μετά σηκώστε προς τα πάνω την χειρολαβή **2** , ένας ήχος «κλικ» θα ακουστεί που σημαίνει ότι το καρτόσι έχει ανοίξει .Περιστρέψτε την πλάτη σε όρθια θέση . **3**

! Βεβαιωθείτε ότι το καρτόσι είναι εντελώς ανοιχτό πριν συνεχίσετε .

Συναρμολόγηση μπροστινών τροχών

Συναρμολογήστε τις μπροστινές ρόδες στα μπροστινά πόδια. Σιγουρευτείτε ότι οι ρόδες είναι καλά ασφαλισμένες . **4**
οι μπροστινοί τροχοί μπορούν να αποσυναρμολογηθούν πατώντας τα κουμπιά **5** - **2** καθώς πατάτε το κουμπί απελευθέρωσης . **5** - **1**

Συναρμολόγηση πίσω τροχών

Συναρμολογήστε τους πίσω τροχούς στα πίσω πόδια **6**, Σιγουρευτείτε ότι οι ρόδες είναι καλά ασφαλισμένες. **7** τυλίξτε το καλάθι γύρω από το πλαίσιο και τον άξονα φρένων και στη συνέχεια κουμπώστε στη θέση του. **8 - 1**.

! Σιγουρευτείτε ότι οι τροχοί είναι τοποθετημένοι σωστά τραβώντας το συγκρότημα τροχών.

Οι πίσω τροχοί μπορούν να αποσυναρμολογηθούν **7 - 2** πατώντας το κουμπί. **7 - 1**

Συναρμολόγηση Μπάρας

Ευθυγραμμίστε την χειρολαβή με τις υποδοχές και εισάγετε μέσα **9**. Για να βγάλετε την μπάρα, πιέστε το κουμπί απελευθέρωσης της μπάρας **10 - 1** και τραβήξτε την μπάρα. **10 - 2**

Συναρμολόγηση κουκούλας

Για να συναρμολογήσετε την κουκούλα βάλτε τα κλιπ της κουκούλας μέσα στις υποδοχές και μετά επισυνάψτε τα 2 ζευγάρια κουμπιά. **14**

11 Το πλήρως συναρμολογημένο καρότσι φαίνεται στην εικόνα.

Λειτουργίες καροτσιού

Χρήση κουκούλας

Ανοίξτε το φερμουάρ στη συνέχεια σπρώξτε προς τα εμπρός την κουκούλα για να ανοίξει. **12**

Για να κλείσετε την κουκούλα τραβήξτε την κουκούλα προς τα πίσω.

Για να αφαιρέσετε την κουκούλα πιέστε τα δύο κουμπιά **13**, (χρησιμοποιούνται για την προσάρτηση του υφάσματος) τώρα σηκώστε τη κουκούλα. **14**

! Αφού τοποθετηθεί η αφαίρεση της κουκούλας σε τακτική βάση δεν συνιστάται.

Αλλαγή θέσης

Η θέση μπορεί να γυρίσει έτσι ώστε η μαμά να βλέπει το παιδί.

Πιέστε την ασφάλεια απελευθέρωσης του καθίσματος μέχρι να βγει το κάθισμα **15** και μετά γυρίστε την θέση στην άλλη κατεύθυνση και τοποθετήστε. **16**

Ρύθμιση Ανάκλισης

Ανάκλιση Πλάτης

Υπάρχουν 5 θέσεις για την πλάτη.

Για να ρυθμίσετε την πλάτη πατήστε το κουμπί ανάκλισης **17 - 1** και μετά ρυθμίστε την πλάτη στην επιθυμητή γωνία **17 - 2**

Για να σηκώσετε την πλάτη τραβήξτε προς τα πάνω.

! Σιγουρευτείτε ότι η ανάκλιση είναι έχει ρυθμιστεί σωστά για χρήση

Χρήση Ασφάλειας

Ελευθερώστε την ασφάλεια

Πατήστε το κεντρικό κουμπί για να ανοίξει η ασφάλεια. **18**

Κλείδωμα ασφάλειας

Συνδυάστε την ασφάλεια από την ζώνη της μέσης με την ασφάλεια της ζώνης ώμων **19 - 1** και κουμπώστε στην κεντρική ασφάλεια **19 - 2** Όταν ακουστεί ένας ήχος «κλικ» σημαίνει ότι έχει ασφαλίσει καλά **19 - 3**

! Προς αποφυγή τραυματισμών από πέσιμο ή γλίστρημα πάντα να δένετε το παιδί σας με ζώνη

! Σιγουρευτείτε ότι το παιδί σας είναι ασφαλές. Η απόσταση μεταξύ του παιδιού και των ζωνών ώμων πρέπει να έχει απόσταση μία παλάμη

! Μην μπλέκετε τις ζώνες, καθώς αυτό μπορεί να προκαλέσει πίεση στο παιδί

Χρήση Ζώνη ώμων και ζώνη μέσης

! Για να προστατεύσετε το παιδί σας από πέσιμο όταν το τοποθετήσετε στο καρότσι σιγουρευτείτε ότι η ζώνη των ώμων και η ζώνη της μέσης είναι ρυθμισμένες στο σωστό ύψος.

20 - 1 Πρόσδεση ώμων άγκυρα A

20 - 2 Πρόσδεση ώμων άγκυρα B

20 - 3 Ρυθμιστής

Για μεγαλύτερα παιδιά χρησιμοποιείστε την άγκυρα A και τις υψηλότερες υποδοχές για την ζώνη ώμων. Για μικρότερα παιδιά χρησιμοποιείστε την άγκυρα B και τις χαμηλότερες υποδοχές ώμων.

Χρησιμοποιείστε τις υποδοχές ζωνών και την άγκυρα που είναι πιο κοντά στο ύψος του παιδιού σας. **18**

Χρησιμοποιείστε τον ρυθμιστή για να αλλάξετε το μήκος **23 - 1**

Πιέστε το κουμπί **23 - 2**, καθώς πιέζετε τις ζώνες για το σωστό μήκος. **23 - 3**

Χρήση υποδοχών ζώνης

Υπάρχουν 2 θέσεις για την σωστή χρήση της ζώνης.

ΘΕΣΗ 1 Για μικρότερα μωρά **24 - 1**

ΘΕΣΗ 2 Για μεγαλύτερα μωρά **24 - 2**

i.Τραβήξτε τις ζώνες προς τα έξω και τοποθετήστε τις στην σωστή θέση. **25 - 1** & **25 - 2**

ii.Περιστρέψτε την άγκυρα των ζωνών στον καβάλο για να έχετε την κοντή πλευρά προς τα εμπρός, στη συνέχεια, περάστε την μέσα στην υποδοχή της πλεξούδας στον καβάλο **25 - 3** & **25 - 4**

Συναρμολόγηση υποποδίου

Υπάρχουν 2 ανακλινόμενες γωνίες για ρύθμιση.

Ανεβάσματος υποποδίου

Για να ανεβάσετε το υποπόδιο σπρώξτε το προς τα πάνω

Για να χαμηλώσετε το υποπόδιο πιέστε το κουμπί ρύθμισης και από τις δύο πλευρές **26 - 1** και περιστρέψτε το υποπόδιο προς τα κάτω. **26 - 2**

Χρήση μπροστινής περιστρεφόμενης ασφάλειας

Ανεβάστε προς τα πάνω την ασφάλεια για να διατηρήσετε την κατεύθυνση κίνησης. **27**

Tip Συνιστάται να χρησιμοποιείτε την περιστρεφόμενη ασφάλεια σε ανώμαλες επιφάνειες.

Χρήση Φρένου

Για να ασφαλίσετε τους τροχούς πιέστε την ασφάλεια προς τα κάτω. **28**

Για να ελευθερώσετε τους τροχούς πιέστε προς τα πάνω . 29

Tip Να βάζετε πάντα φρένο όταν το καρότσι είναι σταματημένο.

Ρύθμιση Χειρολαβής

Η χειρολαβή έχει 3 θέσεις

Για να την ρυθμίσετε πιέστε την χειρολαβή προς τα πάνω ή προς τα κάτω 30 - 2 πατώντας συγχρόνως το κουμπί ρύθμισης . 30 - 1

Κλείσιμο καροτσιού

! Παρακαλώ διπλώστε την κουκούλα πριν κλείσετε το καρότσι.

Πιέστε τη λαβή ανάκλισης στο πίσω μέρος της πλάτης για να περιστρέψετε την πλάτη του καθίσματος στην οριζόντια θέση . 31

Θα κλείσει αυτόματα όταν η ασφάλεια κλειδώματος « κλείσει» με το κλιπ ασφαλείας . 32

Χρήση αξεσουάρ

Τα αξεσουάρ μπορεί να πωλούνται ξεχωριστά ή μπορεί να μην είναι διαθέσιμα ανάλογα την περιοχή .

Χρήση με το Joie Κάθισμα αυτοκινήτου

Όταν το χρησιμοποιήσετε με το κάθισμα αυτοκινήτου Joie Gemm παρακαλώ ακολουθήστε τις παρακάτω οδηγίες .

1. Για να χρησιμοποιήσετε τους αντάπτορες παρακαλώ να τους τοποθετήσετε μέσα στις υποδοχές όπως φαίνεται στην εικόνα 33 ένας ήχος «κλικ» θα ακουστεί και αυτό σημαίνει ότι οι αντάπτορες έχουν κλειδώσει . 34

2. Για να τοποθετήσετε το κάθισμα βάλτε το στους αντάπτορες όπως φαίνεται στην εικόνα 35 Ένας ήχος «κλικ» θα ακουστεί και αυτό σημαίνει ότι το κάθισμα έχει κλειδώσει σωστά . 36

3. Για να βγάλετε το κάθισμα απλά τραβήξτε προς τα πάνω 37 - 1 πιέζοντας τα κουμπί απελευθέρωσης 37 - 2

! Αν έχετε κάποιο πρόβλημα με το κάθισμα και τους αντάπτορες ανατρέξτε στα δικά τους εγχειρίδια οδηγιών .

! Για να αφαιρέσετε τους αντάπτορες πιέστε προς τα πάνω 38 - 2 πιέζοντας τα δύο κουμπί απελευθέρωσης 38 - 1

! Η Αφαίρεση των αντάπτωρων φαίνονται στην εικόνα . 39

! Παρακαλώ μην κλείνετε το καρότσι όταν υπάρχει πάνω το κάθισμα

Χρήση πορτ μπεμπε

Συναρμολόγηση πορτ μπεμπε

1. Ανοίξτε το σύρμα στήριξης και από τις δύο πλευρές από το πορτ μπεμπε acin 40 Μετά βάλτε τα στηρίγματα στα τέσσερα πλαστικά Ένας ήχος «κλικ» θα ακουστεί που σημαίνει ότι έχουν κλειδώσει σωστά . 40 - 1

Τοποθετήστε το στρώμα στο πορτ μπεμπε 41 και πιέστε ελαφρά . 41 - 1

! Πάντα να χρησιμοποιείτε το στρώμα όταν χρησιμοποιείτε το πορτ μπεμπε .

! Το ύφασμα από το στρώμα μπορεί να αφαιρεθεί εύκολα για να πλυθεί .

2. Ρυθμίστε την κουκούλα του πορτ μπεμπε

Ανοίξτε την κουκούλα και τραβήξτε το μπροστινό άκρο για να ασφαλίσει . 42

Κλείστε την κουκούλα πατώντας τα κουμπί και από τις δύο πλευρές . 42 - 1

3. Συναρμολογήστε την ποδιά του πορτ μπεμπε.

Τοποθετήστε την ποδιά πάνω από το πορτ-μπεμπε, στη συνέχεια, συνδέστε τα 5 ζεύγη θηλών στα βέλκρο. 43 - 1

43 Το πορτ μπεμπε είναι συναρμολογημένο όπως στην φωτογραφία

Τοποθετήστε το πορτ μπεμπε στο σκελετό

Τοποθετήστε το πορτ μπεμπε ευθεία κάτω μέχρι να ασφαλίσει . 44

! Ένας ήχος «κλικ» που θα ακουστεί σημαίνει ότι το πορτ μπεμπε έχει ασφαλίσει . 45

Πάντα να βγάξετε τους αντάπτορες πριν την χρήση του πορτ μπεμπε

Παρακαλώ μην κλείνετε το καρότσι όταν έχετε το πορτ μπεμπε

Αφαίρεση του πορτ μπεμπε

Πιέστε το κουμπί απελευθέρωσης και από τις δύο πλευρές του πορτ μπεμπε 46 - 1 και μετά ανασηκώστε 46 - 2

Χρήση Ποδόσακου

Ο ζεστός ποδόσακος εξασφαλίζει στο παιδί σας ένα ζεστό περιβάλλον .

Συναρμολογήστε τον ποδόσακο ακολουθώντας τα παρακάτω βήματα .

1. Ρυθμίστε το υποπόδιο σε επίπεδη θέση και την πλάτη σε ξαπλωτή θέση αντίστοιχα πριν τη συναρμολόγηση του ποδόσακου . 47

2. Καλύψτε το υποπόδιο με τον ποδόσακο . 48

Η συναρμολόγηση του ποδόσακου φαίνεται στην φωτό 49

Χρήση Κάλυμμα Βροχής

Για να χρησιμοποιήσετε το αδιάβροχο βάλτε το πάνω από το καρότσι και βάλτε στις υποδοχές τις ασφάλειες . 50

! Πριν χρησιμοποιήσετε το κάλυμμα βεβαιωθείτε ότι θέση είναι σωστά ασφαλισμένη .

! Όταν χρησιμοποιείται το κάλυμμα να ελέγχεται πάντα τον εξαερισμό .

! Όταν δεν το χρησιμοποιείται να το πλύνετε και να το στεγνώσετε καλά πριν το διπλώσετε .

! Μην κλείνετε το καρότσι μαζί με το κάλυμμα .

! Μην βάζετε το παιδί σας στο καρότσι μαζί με το κάλυμμα όταν ο καιρός είναι ζεστός .

! Να χρησιμοποιείτε υπό την επίβλεψη ενήλικα . Μην χρησιμοποιείτε το καρότσι χωρίς την κουκούλα .

Χρήση Υφασμάτων

Βλέπε φωτογραφία 51

Χρήση μαξιλαράκια ώμων και καβάλου

Το μαξιλαράκι ιμάντα ώμου και το μαξιλάρι του καβάλου μπορεί να αφαιρεθούν από το αποθεματικό από την ενισχυτική λωρίδα .

Φροντίδα και Συντήρηση

! Τα υφάσματα μπορούν να πλυθούν και να στεγνωθούν . Μην χρησιμοποιείτε χλωρίνη

! Για να πλύνετε το σκελετό χρησιμοποιείτε ζεστό νερό και σαπούνι . Μην χρησιμοποιείτε χλωρίνη

! Κατά καιρούς να ελέγχετε καρότσι σας για τυχόν χαλαρές βίδες φθαρμένα εξαρτήματα σκισμένα ραφές . Να τα αντικαταστήτε αν χρειάζεται

! Η υπερβολική έκθεση στον ήλιο ή στη θερμότητα θα μπορούσε να προκαλέσει την εξασθένηση ή στρέβλωση των τμημάτων

! Αν το καρότσι βραχεί –ανοίξτε την κουκούλα και αφήστε να στεγνώσει πριν το κλείσετε

! Αν τρίζουν οι τροχοί χρησιμοποιείτε ένα λάδι ή σπρέι λαδιού . Είναι σημαντικό να το έχετε μαζί σας 52

! Όταν χρησιμοποιείτε το καρότσι στην παραλία μετά πρέπει να το καθαρίσετε πολύ καλά έτσι ώστε να μην έχει άμμο και αλάτι



Joie Children's Products (UK) Ltd,
Venture Point, Towers Business Park
Rugeley, Staffordshire, WS15 1UZ

bring the kids™

Share the joy at joiebaby.com

P-IM0120D