

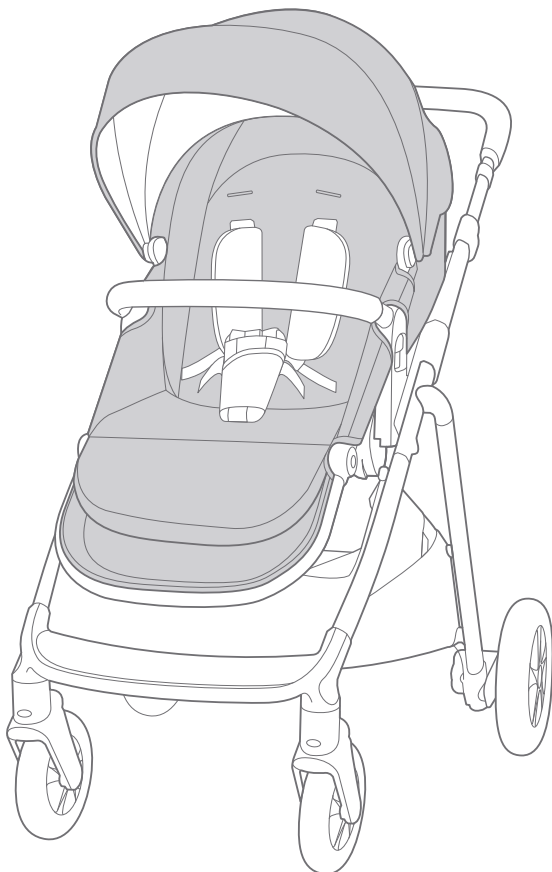
Joie™

signature

aeria™

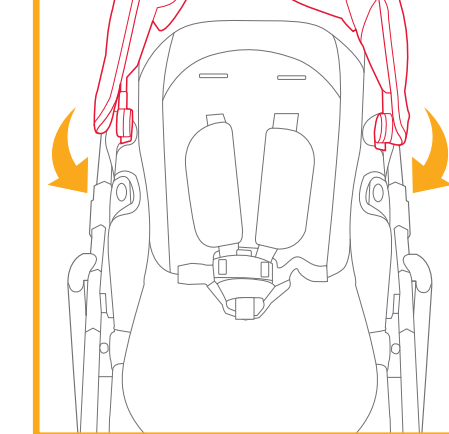
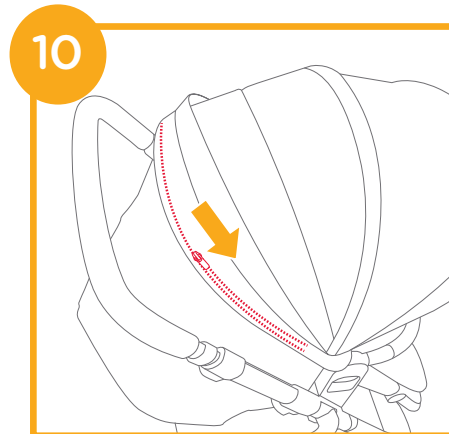
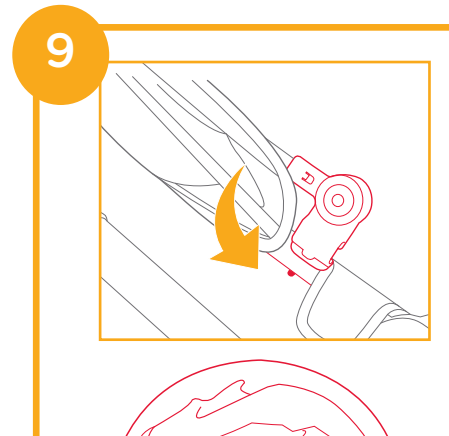
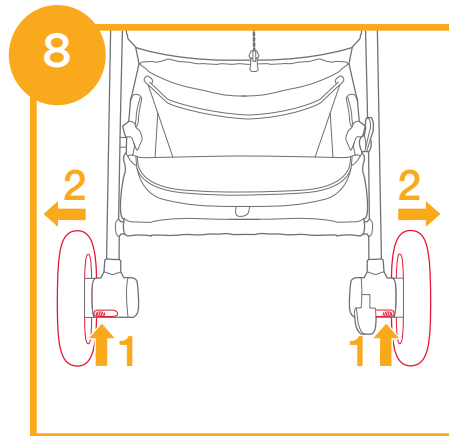
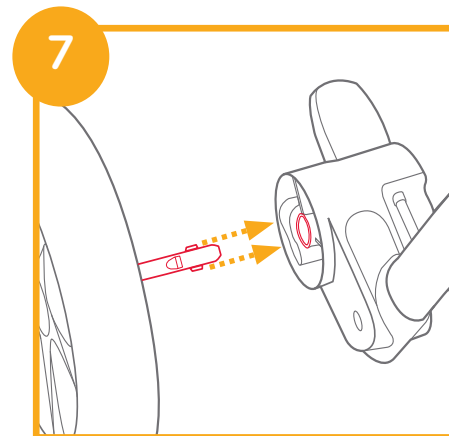
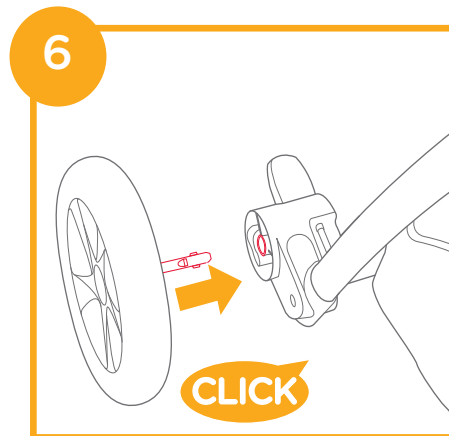
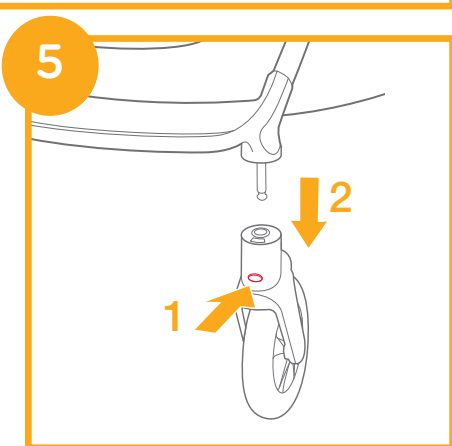
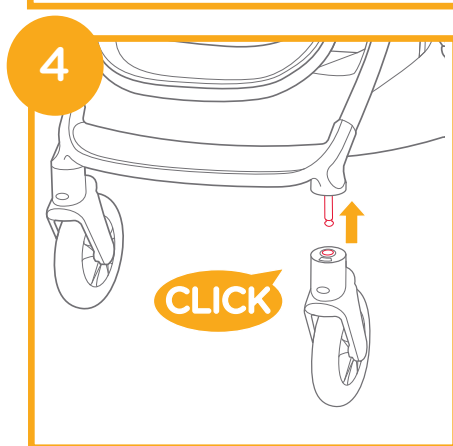
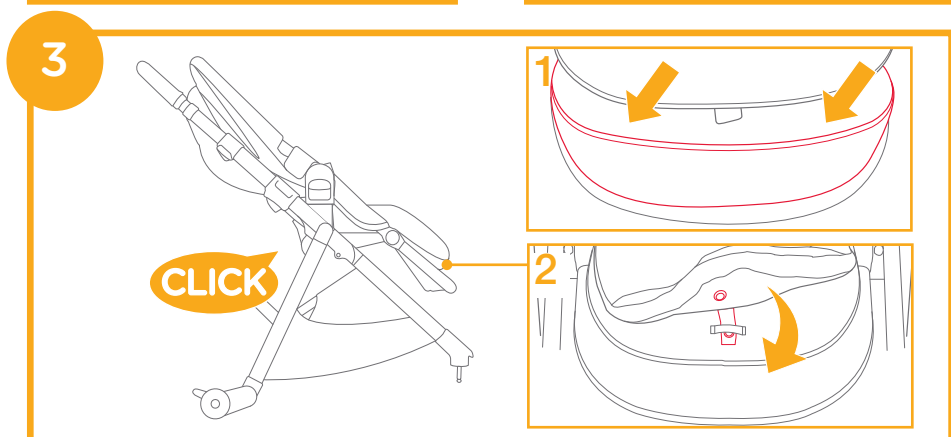
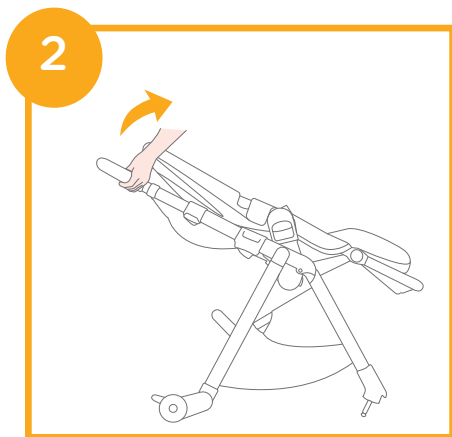
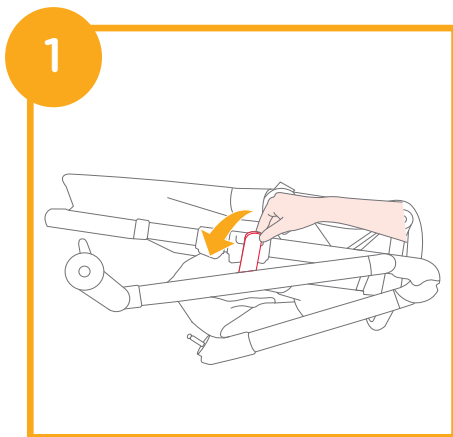
stroller

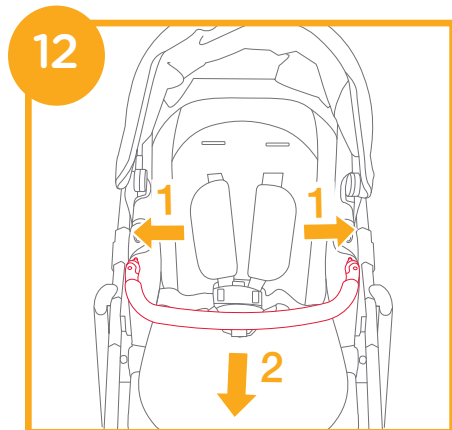
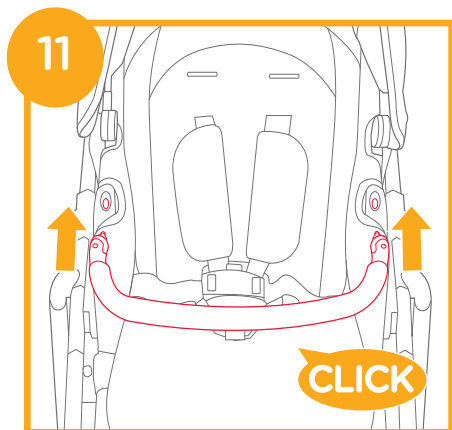
- GB Instruction Manual
- FR Manuel d'instructions
- DE Bedienungsanleitung
- NL Instructiehandleiding
- IT Manuale di istruzioni
- ES Manual de instrucciones
- PT Manual de instruções
- PL Instrukcja obsługi
- CZ Návod k obsluze
- SK Návod na použitie
- HR Upute za uporabu
- RU Руководство по эксплуатации
- DA Brugervejledning
- NO Instruksjonsbok
- SE Bruksanvisning
- FI Käyttöopas
- EL Εγχειρίδιο οδηγιών χρήσης
- TR Kullanım Kılavuzu
- ET Kasutusjuhend
- LT Naudojimo instrukcija
- LV Lietošanas rokasgrāmata
- AR دليل التعليمات
- RO Manual de instruciuni
- SL Navodila za uporabo



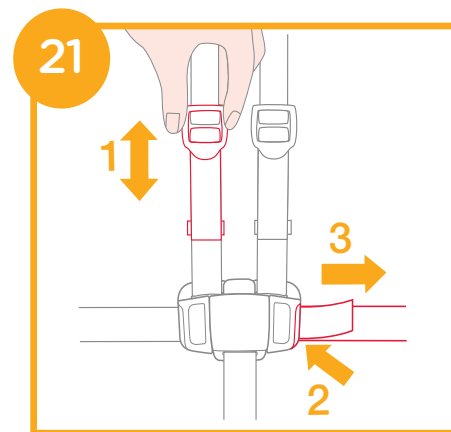
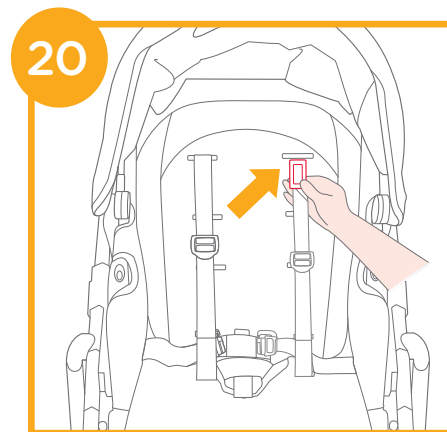
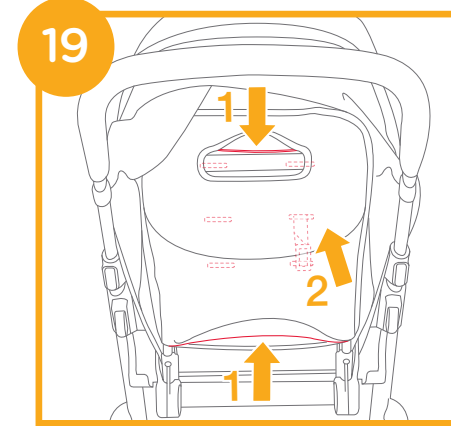
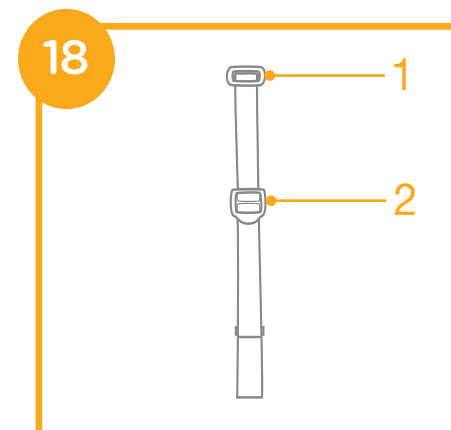
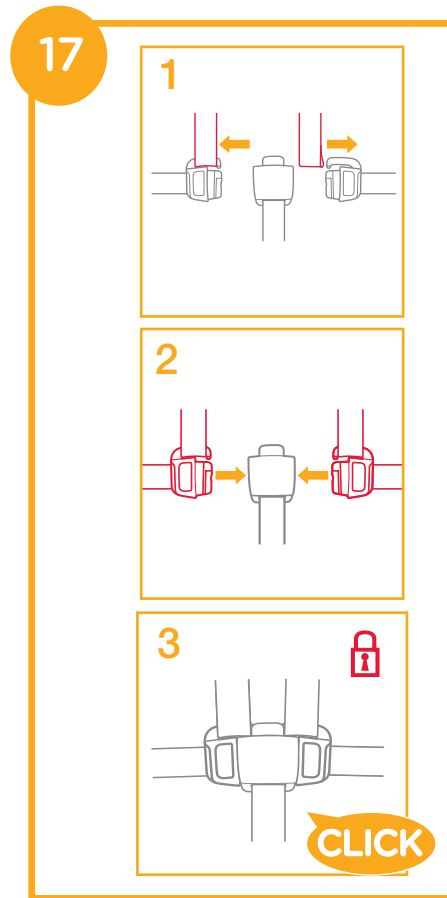
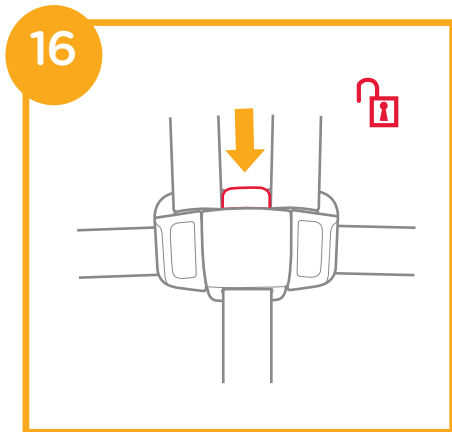
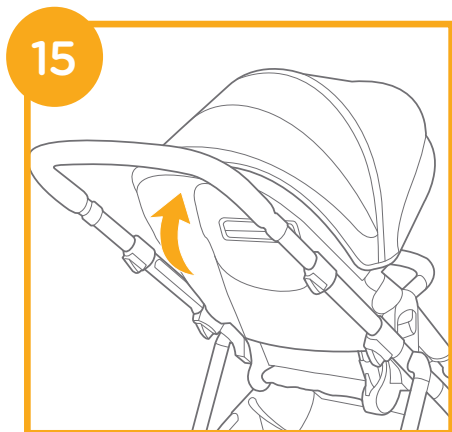
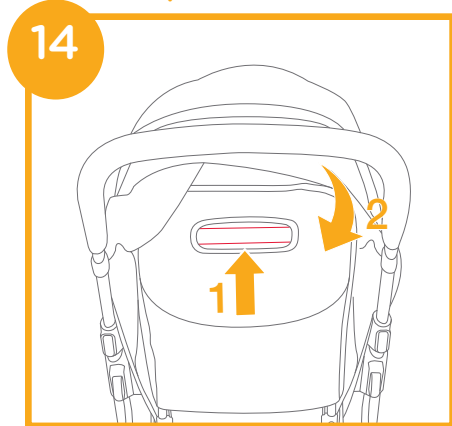
IMPORTANT - READ CAREFULLY AND KEEP FOR FUTURE REFERENCE.

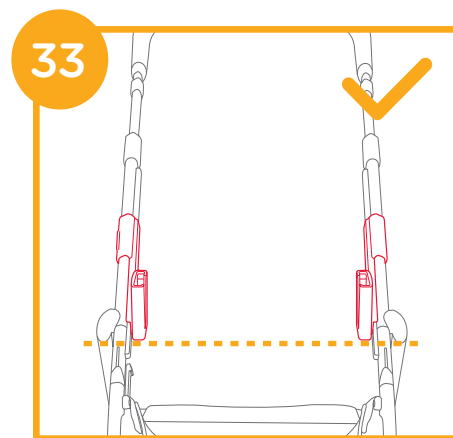
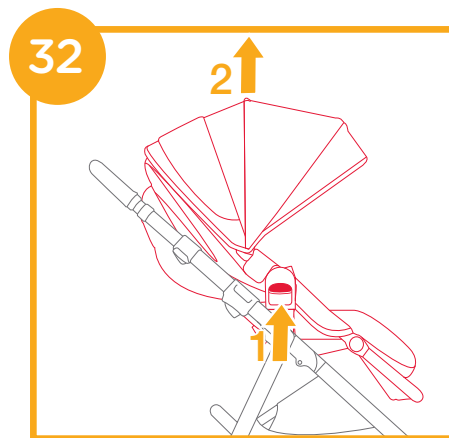
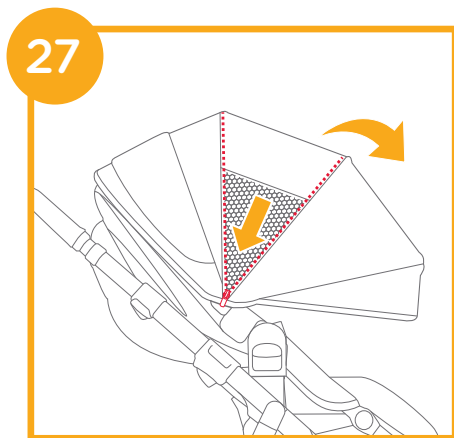
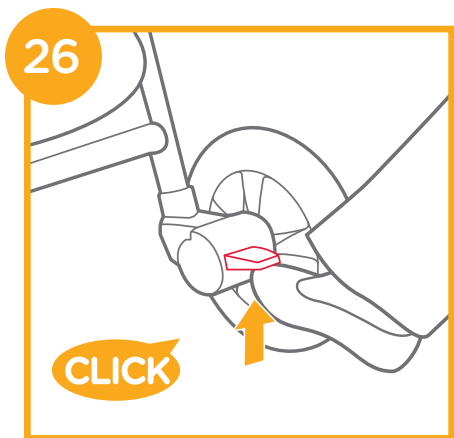
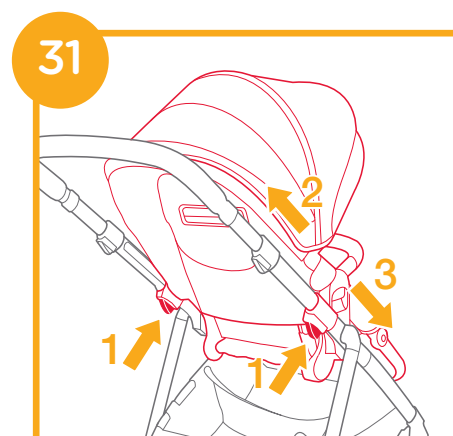
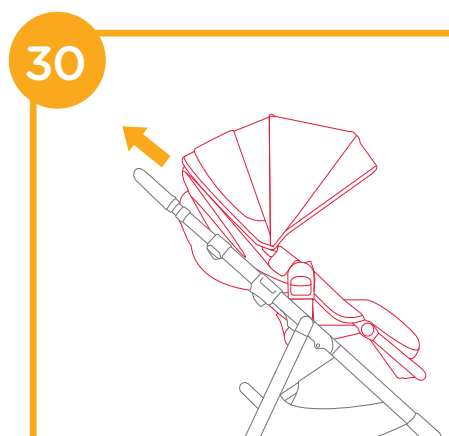
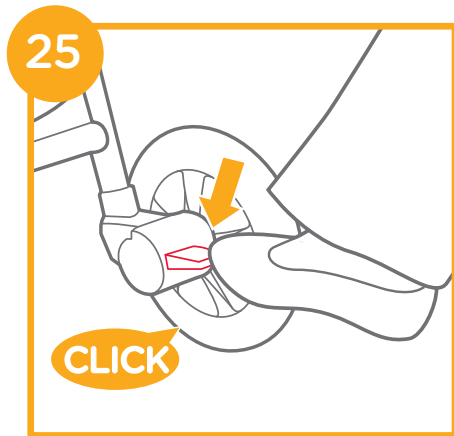
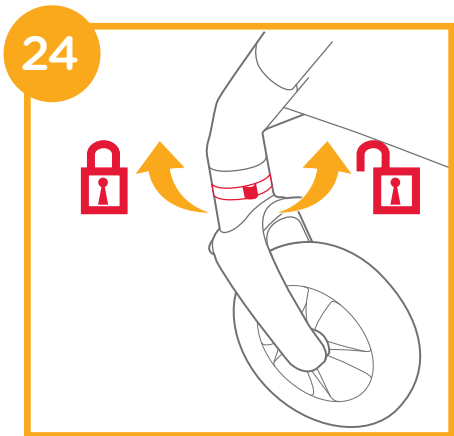
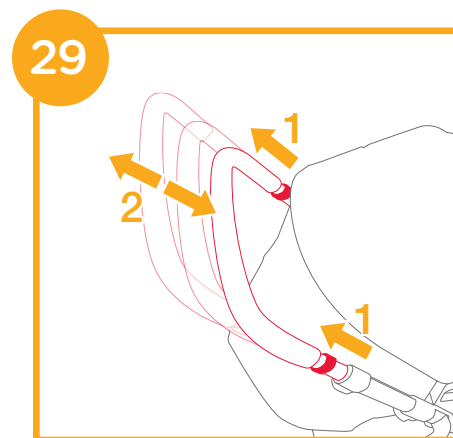
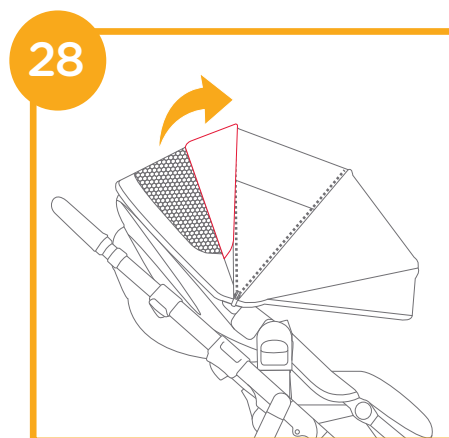
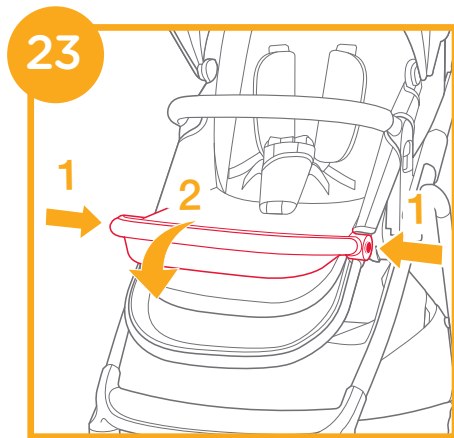
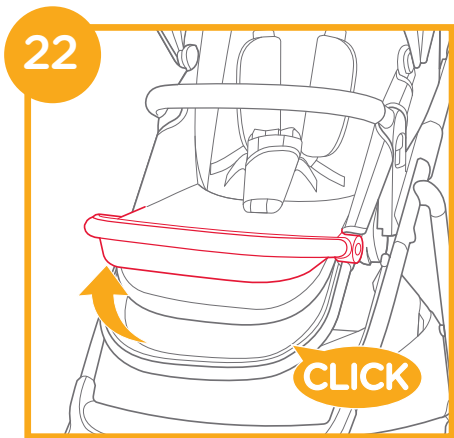
Stroller Assembly

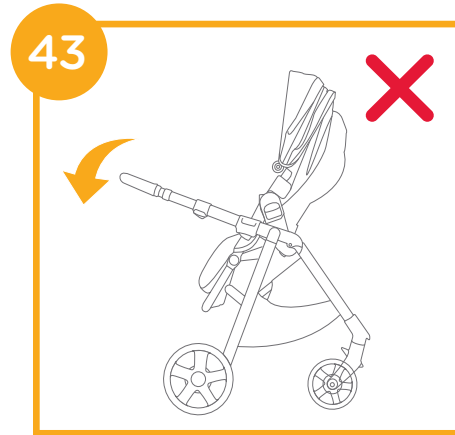
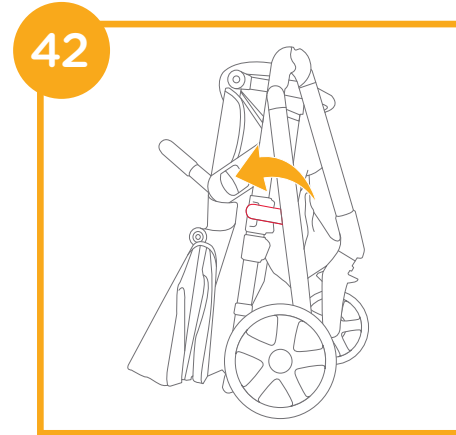
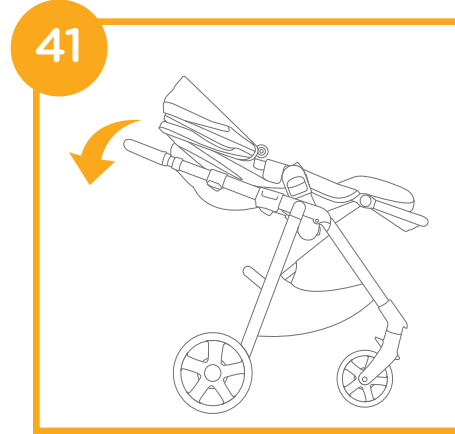
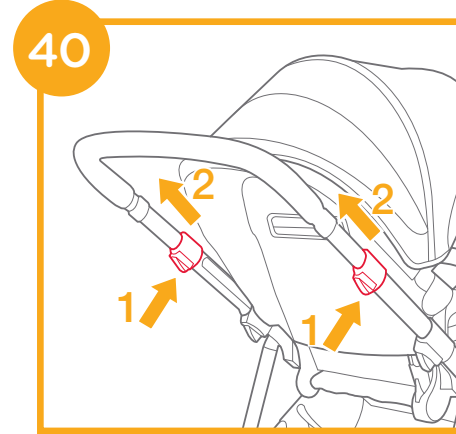
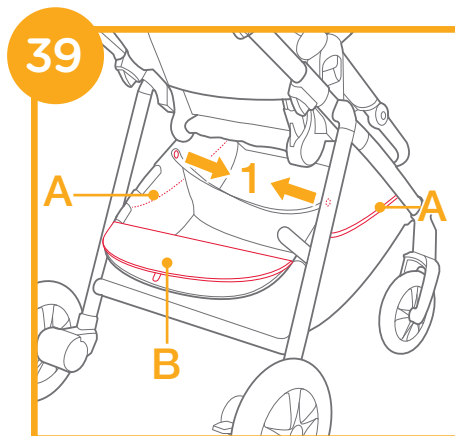
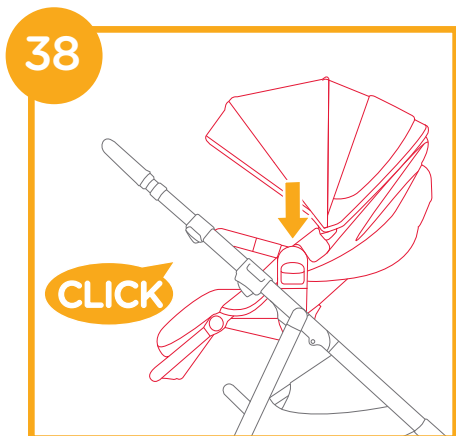
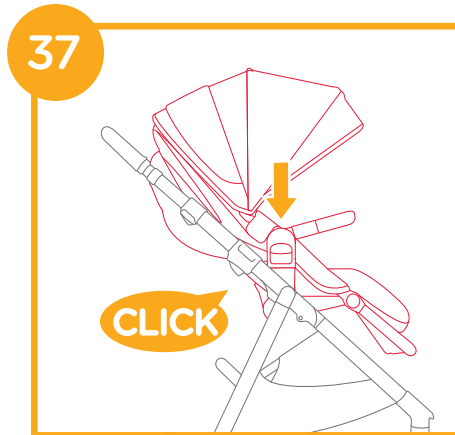
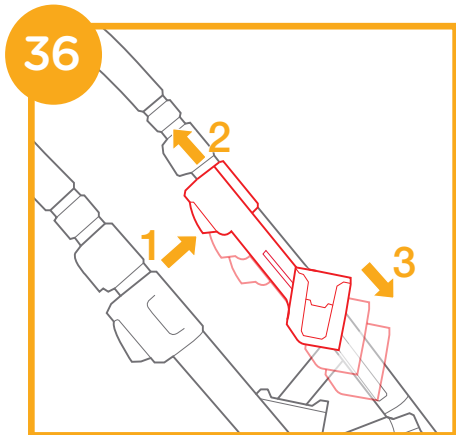
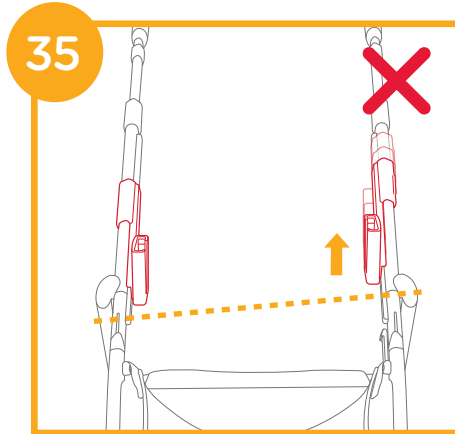
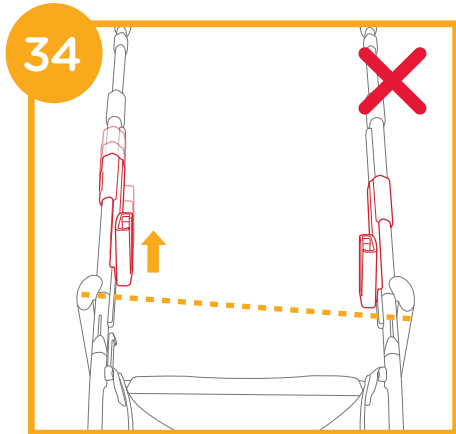




Stroller Operation

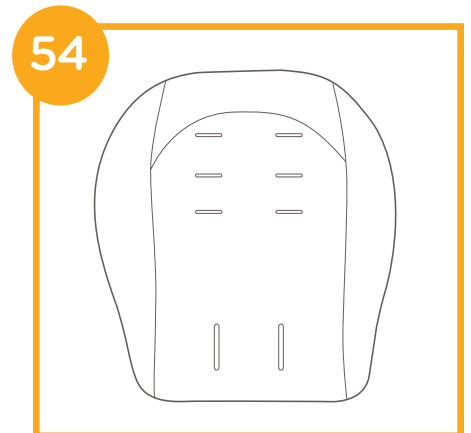
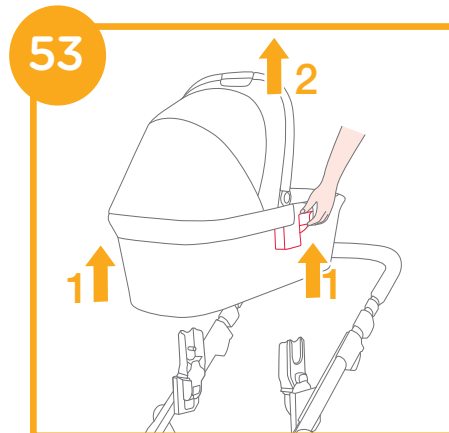
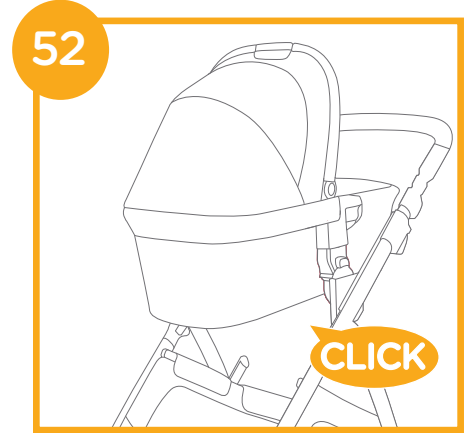
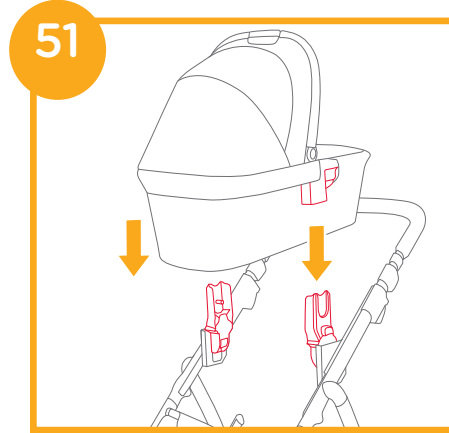
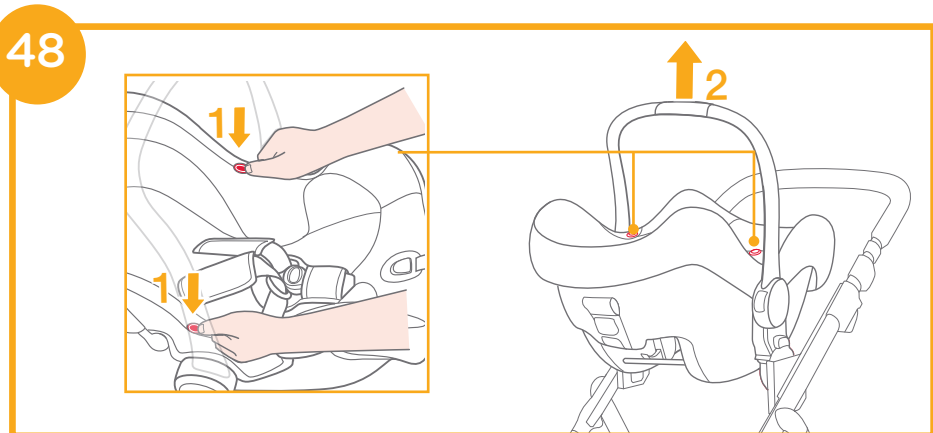
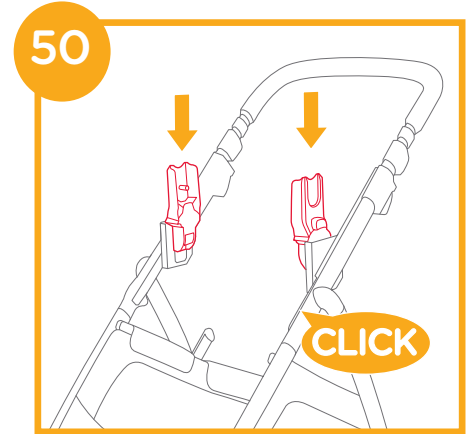
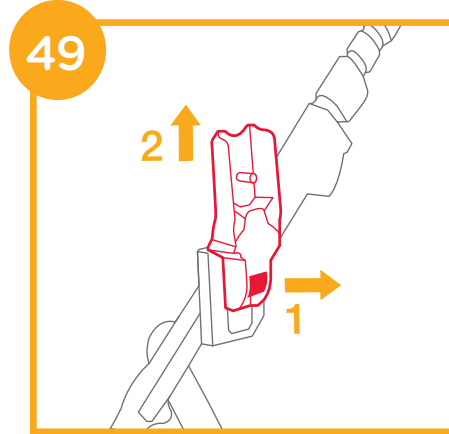
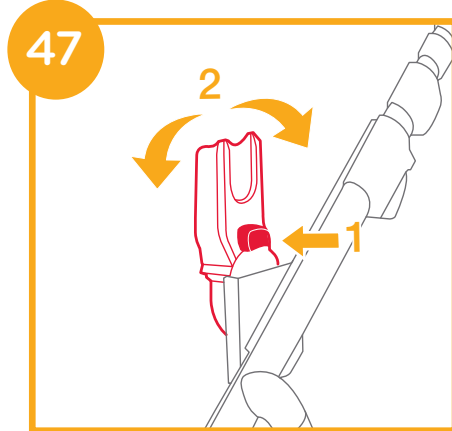
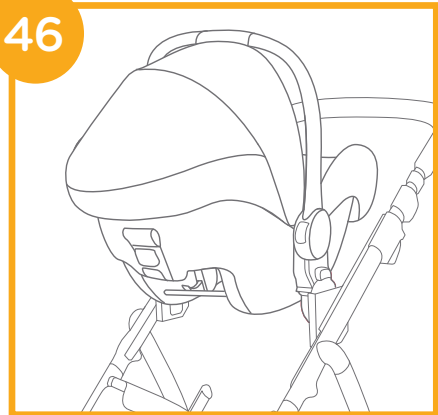
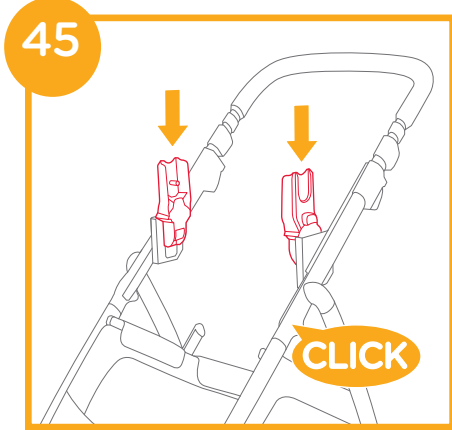
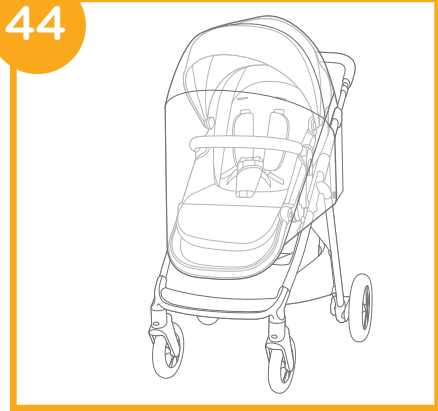




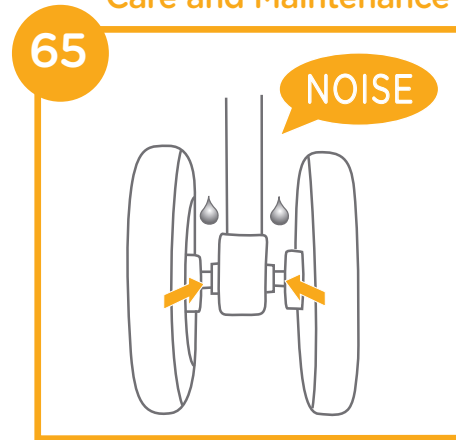
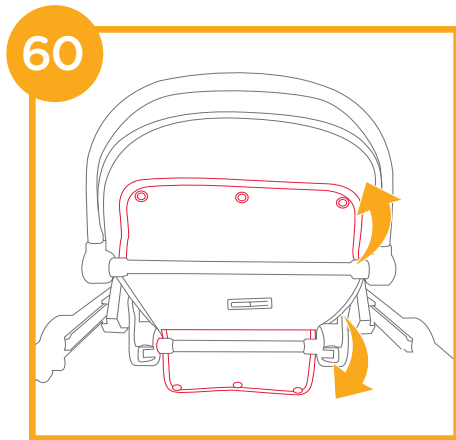
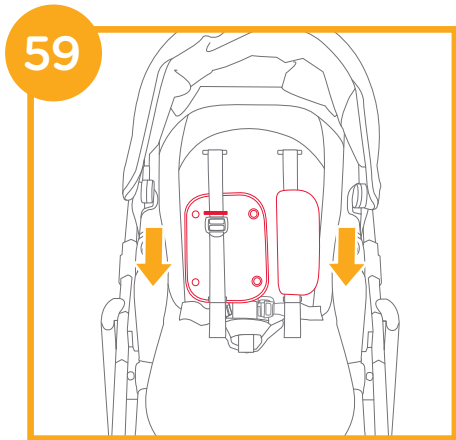
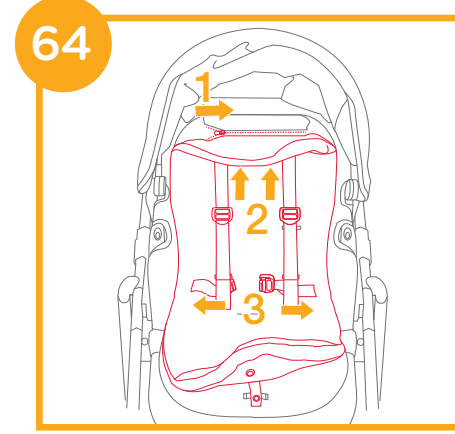
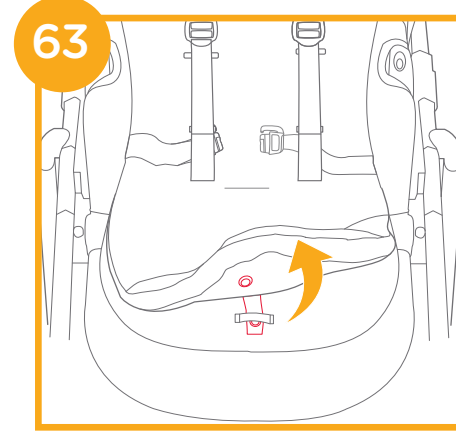
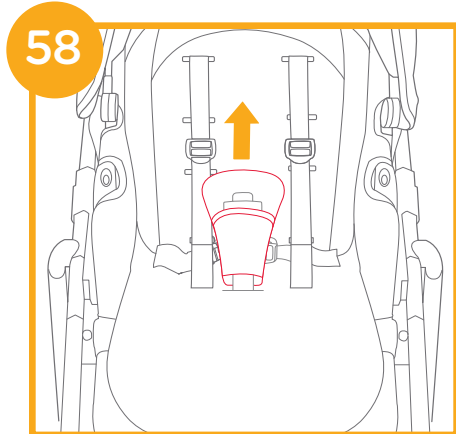
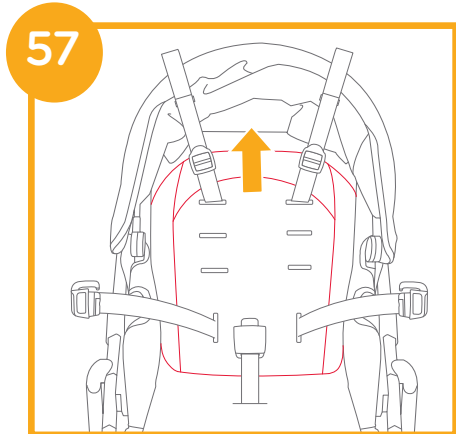
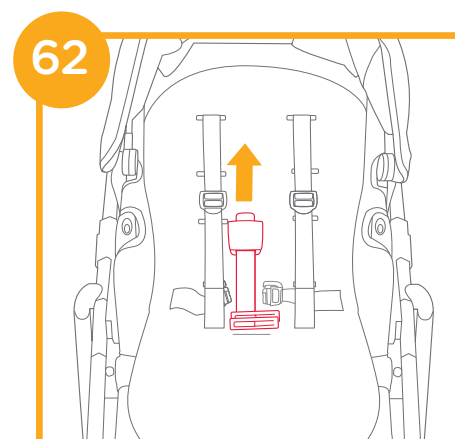
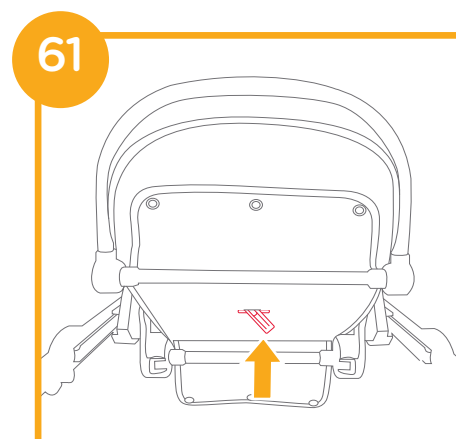
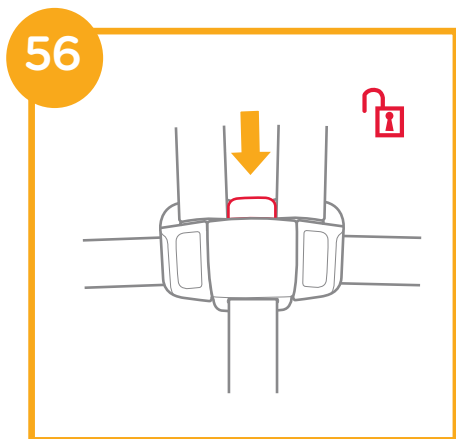
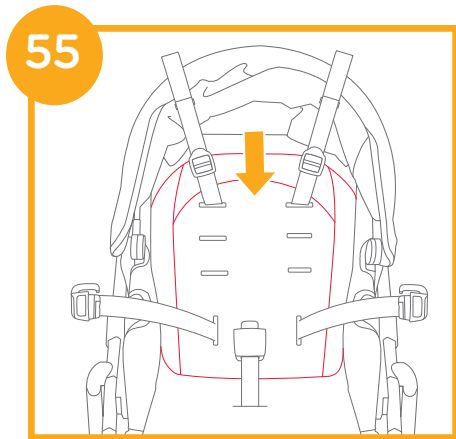


Accessories (May not be included in purchase)

Accessories may be sold separately or may not be available depending on region.



Detach & Assemble Soft Goods



Care and Maintenance

GB Welcome to Joie™

Congratulations on becoming part of the Joie family! We are so excited to be part of your journey with your little one. While traveling with the Joie aeria, you are using a high quality, fully certified stroller, approved to European safety standards EN 1888-2:2018. This product is suitable for children up to 22kg or 4 years whichever comes first. Please carefully read this manual and follow each step to ensure a comfortable ride and best protection for your child.

IMPORTANT - READ CAREFULLY AND KEEP FOR FUTURE REFERENCE.

Visit us at joiebaby.com to download manuals and see more exciting Joie products!

For warranty information, please visit our website at joiebaby.com

Contents

Figures	1-12
WARNING	17
Stroller Assembly	20
Open Stroller	20
Assemble & Detach Front Wheel	20
Assemble & Detach Rear Wheel	20
Assemble Canopy	20
Assemble & Detach Armbar	20

Stroller Operation	21
Adjust Backrest	21
Use Buckle	21
Use Shoulder & Waist Harnesses	22
Adjust Calf Support	22
Use Front Swivel Lock	23
Use Brake	23
Use Canopy	23
Adjust Handle	23
Adjust Seat Height	23
Switch Seat	24
Use Storage Basket	24
Fold Stroller	24
Use Accessories	25
Detach & Assemble Soft Goods	26
Cleaning and Maintenance	27

Emergency

In case of emergency or accident, it is most important to have your child taken care of with first aid and medical treatment immediately.

Product Information

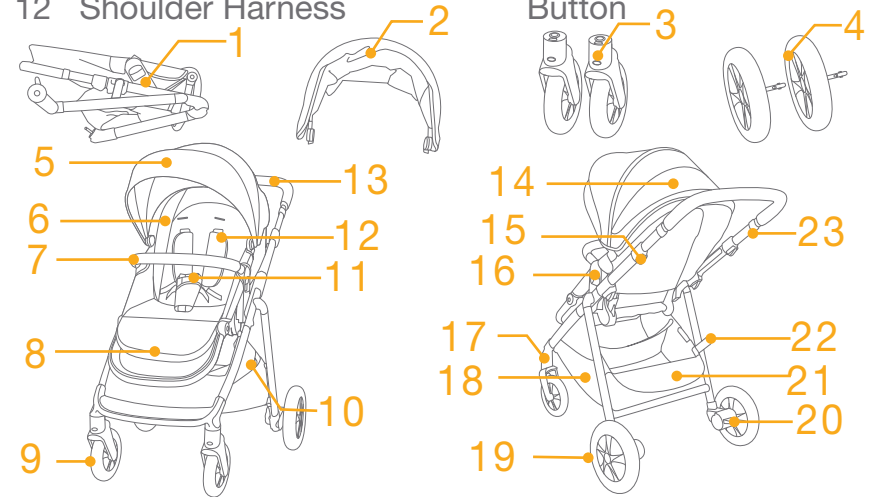
Read all the instructions in this manual before using this product. If you have any further questions, please consult the retailer. Some features may vary depending on model.

Product	Aeria Stroller
Suitable for	children up to 22kg or 4 years whichever comes first.
Materials	Plastics, metal, fabrics
Patent No.	Patents pending
Made in	China
Brand Name	Joie
Website	www.joiebaby.com
Manufacturer	Allison GmbH

Parts List

Make sure all parts are available before assembly. If any part is missing, please contact local retailer. No tools are required for assembly.

- | | |
|---------------------|-----------------------------|
| 1 Stroller Frame | 13 Handle |
| 2 Canopy | 14 Canopy Window |
| 3 Front Wheel | 15 Folding Button |
| 4 Rear Wheel | 16 Seat Release Button |
| 5 Canopy | 17 Swivel Lock |
| 6 Seat Pad | 18 Storage Bag A |
| 7 Armbar | 19 Rear Wheel |
| 8 Calf Support | 20 Brake Lever |
| 9 Front Wheel | 21 Storage Bag B |
| 10 Storage Basket | 22 Storage Latch |
| 11 Buckle | 23 Handle Adjustment Button |
| 12 Shoulder Harness | |

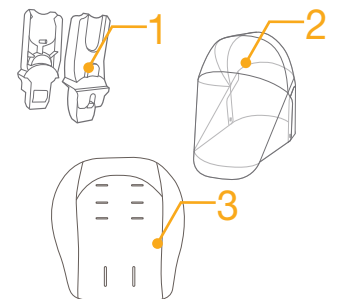


Accessories

(May not be included)

- | | |
|----------------------------------|--|
| 1 Adapter (on certain models) | |
| 2 Rain cover (on certain models) | |
| 3 Insert (on certain models) | |

Accessories may be sold separately or may not be available depending on region.



WARNING

- ! WARNING Always use the restraint system. Safety belts and restraint systems must be used correctly.
- ! WARNING Ensure that all the locking devices are engaged before use.
- ! WARNING Do not let the child play with this product.
- ! WARNING Check that the pram body or seat unit or car seat attachment devices are correctly engaged before use.
- ! Adult assembly required.
- ! This product is suitable for children up to 22kg or 4 years whichever comes first.
- ! To prevent a hazardous, unstable condition, do not place more than 4.5kg in the storage basket.
- ! Never leave the child unattended. Always keep child in view while in stroller.
- ! Use the stroller with only one child at a time. Never place purses, shopping bags, parcels or accessory items on the handle or canopy.
- ! Accessories which are not approved by the manufacturer shall not be used. Only replacement parts supplied or recommended by the manufacturer shall be used.
- ! Overloading, folding incorrectly, or using component parts from other manufacturers may cause the stroller to be damaged, broken or unsafe. Please read the instruction manual carefully.
- ! Please read all the instructions in the manual before using the product. Please save instruction manual for future use. Failure to follow these warnings and instructions may result in serious injury or death.
- ! To avoid serious injury from falling or sliding out, always use seat belt.
- ! Make sure your child's body is clear from the moving parts when adjusting the stroller.

- ! Be sure the stroller is fully open or folded before allowing child near the stroller.
- ! Child may slip into leg openings and be strangled if the harness is not used.
- ! Never use stroller on stairs or escalators.
- ! Keep away from high temperature objects, liquids, and electronics.
- ! Never allow your child to stand on the stroller or sit in the stroller with head toward front of stroller.
- ! Never place the stroller on roads, slopes or dangerous areas.
- ! To avoid strangulation, DO NOT place items with a string around your child's neck, suspend strings from this product, or attach strings to toys.
- ! Any load attached to the handle and/or on the back of the backrest and/or on the sides of the stroller will affect the stability of the stroller.
- ! DO NOT lift stroller while child is in stroller.
- ! DO NOT use storage basket as a child carrier.
- ! To prevent tipping, never let child climb the stroller. Always lift the child in and out of the stroller.
- ! To avoid finger entrapment, use care when folding and unfolding the stroller.
- ! To avoid injury ensure that the child is kept away when unfolding and folding this product.
- ! To ensure your child's safety, please make sure all parts are assembled and fastened properly before using the stroller.
- ! To avoid strangulation, do make sure your child is clear from the canopy.
- ! Always engage the brakes when parking the stroller.
- ! Discontinue using stroller if it is damaged or broken.

- ! Stroller to be used only at walking speed. This product is not intended for use while jogging.
- ! To avoid suffocation, remove plastic bag and packaging materials before using this product. The plastic bag and packaging materials should then be kept away from babies and children.
- ! This product is not suitable for running or skating.
- ! Pushchair designed to be used from birth shall recommend the use of the most reclined position for new born babies.
- ! The parking device shall be engaged when placing and removing children.
- ! For infant child restraints used in conjunction with a chassis, this stroller does not replace a cot or a bed. Should your child need to sleep, then it should be placed in a suitable pram body, cot or bed.
- ! Carry cot shall not be used, as soon as the child is able to sit by himself, roll over and can push itself up on its hands and knees. Maximum weight of the child: 9kg.
- ! DO NOT use or add any mattress other than the one supplied with the carry cot.
- ! Do not attach items to the handle, seat back or sides of the stroller. Any additional load will affect the stability of the stroller and could cause the stroller to tip.
- ! No additional mattress shall be added unless recommended by the manufacturer.
- ! Please do not fold the frame when the seat is facing rearwards.

Stroller Assembly

(Please refer to figures on page 1-12)

Please read all the instructions in this manual before assembling and using this product.

Open Stroller

see images ① - ③

Separate storage latch from storage mount ①, and then lift the handle upwards ②, a click sound means the stroller is open completely.

! Press the footrest down and reset it. ③ - 1

! Please attach the button under the calf support. ③ - 2

! Check that the stroller is completely latched before continuing to use.

Assemble & Detach Front Wheel

see images ④ - ⑤

Assemble & Detach Rear Wheel

see images ⑥ - ⑧

Assemble Canopy

see images ⑨ - ⑩

Assemble & Detach Armbar

see images ⑪ - ⑫

The completely assembled stroller is shown as ⑬

Stroller Operation

Adjust Backrest

see images 14 - 15

There are 5 recline angles for the backrest.

Recline Backrest

To recline the backrest, squeeze the recline handle on the back of the seat, pull down on the backrest. 14

Raise Backrest

To raise the backrest, push up. 15

! Make sure the recline is set properly for use.

! The maximum load of storage pocket on the back of backrest is 0.45kg.

Use Buckle

see images 16 - 17

Release Buckle

Press the button, the buckle will release automatically. 16

Lock Buckle

Match the waist belt buckle with the shoulder buckle 17 - 1, and align them with the center buckle, the buckle can lock automatically. 17 - 2 A "click" sound means the buckle is locked completely. 17 - 3

! To avoid serious injury from falling or sliding out, always secure your child with harness.

! Make sure your child is snugly secured. The space between the child and the shoulder harness is about the thickness of one hand.

! Do not cross the shoulder belts. This will cause pressure on a child's neck.

Use Shoulder & Waist Harnesses

see images 18 - 21

! In order to protect your child from falling out, after your child is placed into the seat, check whether the shoulder and waist harnesses are at proper height and length.

18 - 1 Shoulder harness anchor

18 - 2 Slide adjuster

For larger child, use shoulder harness anchor and the highest shoulder slots. For smaller child, use shoulder harness anchor and the lowest shoulder slots.

! The position of the shoulder belt anchor can be adjusted from above opening which closed by fasteners or below pocket. 19 - 1

To adjust the position of the shoulder harness anchor, turn the anchor to be level with the side facing forward. Thread it through the shoulder harness slot from back to front. 19
Rethread it through the slot that is closest to child's shoulder height. 20

Use slide adjuster to change the harness length. 21 - 1

Press the button 21 - 2, while pulling the waist harness to proper length. 21 - 3

Adjust Calf Support

see images 22 - 23

The calf support has 2 positions.

To raise the calf support, push it upwards. 22 A "click" sound means the calf is locked completely.

To lower calf support, press the adjustment buttons on both sides of the calf support 23 - 1, and rotate the calf support downwards. 23 - 2

Use Front Swivel Lock

see images 24

Front wheel locked or unlocked status as 24.

Tip It is recommended to use swivel locks on uneven surfaces.

Use Brake

see images 25 - 26

To lock wheels, step the brake lever downwards. 25

To release wheels, just lift the brake lever upwards. 26

Tip Always set the parking brake when stroller is not moving.

Use Canopy

see images 27 - 28

The canopy can be opened or folded, pull it toward front or back.

The canopy can be opened completely to protect your child from the sun uttermostly, just unzip the zip 27, and then pull the canopy toward front.

There is a window on the canopy, through which you can view your baby. 28

Adjust Handle

see images 29

The handle has 4 positions.

Adjust Seat Height

see images 30 - 31

The seat has 4 positions.

Pull up the seat to increase the seat height. 30

Press the seat height adjustment buttons and pull up, then push down to decrease the seat height. 31

Switch Seat

see images 32 - 38

The seat can be switched which makes mother and child can face to face with each.

Squeeze the seat release buttons while lifting the seat. Turn the seat to reverse direction and then insert the seat to seat mounts.

Both seat mounts need to be level shown as 33, if the situations shown as 34 & 35 happen, please press the seat height adjustment button and pull up, then push down to decrease the seat height to make sure the both seat mounts to be level. 36

Use Storage Basket

see images 39

Detach the buttons in the basket to increase basket space. 39 - 1

The maximum load of each storage bag A on the both side of basket is 0.45kg.

To prevent a hazardous, unstable condition, do not place more than 4.5kg in the storage basket and storage bag B.

Fold Stroller

see images 40 - 43

! Please fold the canopy before folding the stroller.

Press the folding button and pull up, 40 then rotate the handle downwards, 41 the fold latch can lock automatically. 42

- ! If the seat is on the lower position, it can slide down while folding the stroller to make sure fold latch lock automatically.
- ! Please do not fold the frame when the seat is facing rearwards. 43
- ! Please do not fold the frame when front wheel swivel lock is locked.
- ! The stroller with forward-facing seat can stand when the handle is in the highest position.

Use Accessories

Accessories may be sold separately or may not be available depending on region.

Use Rain Cover

see images 44

To assemble the rain cover, place it over the seat.

- ! When using the rain cover, please always check its ventilation.
- ! When not in use, please check that the rain cover has been cleaned and dried before folding.
- ! Do not fold the stroller after assembling the rain cover.
- ! Do not place your child into the stroller assembled with rain cover during hot weather.

Use with Infant Child Restraint

see images 45 - 49

When using with Joie infant child restraint i-Gemm 2 & i-Level & i-Snug, please refer to the following instructions.

- ! A “click” sound means the adapter is locked completely.

- ! The infant child restraint angle can be adjusted with our adjustable adaptors. 47
- ! The adapter has 3 positions. Please do not use the product when the baby's head is lower than feet after attached infant child restraint.
- ! If you have any problems about using the infant child restraint, please refer to their own instruction manuals.
- ! Please do not fold the stroller when the infant child restraint is still attached.

Use with Joie Carry Cot

see images 50 - 53

When using with Joie carry cot ramble, ramble xl, please refer to the following instructions.

- ! If you have any problems about using the carry cot, please refer to their own instruction manuals.
- ! Please do not use the product when the baby's head is lower than feet after attached carry cot.
- ! Always use the mattress when using the carry cot.
- ! Please don't fold stroller when attaching the carry cot.

Use Insert

see images 54 - 55

Detach & Assemble Soft Goods

see images 56 - 64

1. Remove armbar shown as 12
2. Open the buckle which is on the bottom of seat. 56

To re-assemble seat soft goods, follow the steps above in reverse 64 - 56

Cleaning and Maintenance

see images 65

- ! To clean stroller frame, use only household soap and warm water. No bleach or detergent. Please refer to the care label for instructions on cleaning the fabric parts of the stroller.
- ! Removable soft goods can be washed by machine. No bleach. Do not twist the seat cover and inner padding to dry with great force. It may leave the seat cover and inner padding with wrinkles.
- ! From time to time, check your stroller for loose screws, worn parts, torn material or stitching. Replace or repair the parts as needed. Periodically wipe clean plastic parts with a soft damp cloth. Always dry the metal parts to prevent the formation of rust if the stroller has come into contact with water.
- ! Excessive exposure to sun or heat could cause fading or warping of parts.
- ! If stroller becomes wet, open canopy and allow to dry thoroughly before storing.
- ! If wheels squeak, use a light oil (e.g., Silicon Spray, antirust oil, or sewing machine oil). It is important to get the oil into the axle and wheel assembly. 65
- ! When using your stroller at the beach or other sandy/dusty environments, completely clean your stroller after use to remove sand and salt from mechanisms and wheel assemblies.

Note

FR Bienvenue dans l'univers de Joie™

Félicitations, vous faites désormais partie de la famille Joie ! Nous avons hâte de vous accompagner dans vos balades avec votre bébé. En choisissant la poussette Aeria™ de la collection Joie Signature, vous utilisez un produit de grande qualité, certifié par un laboratoire agréé indépendant et conforme aux normes européennes de sécurité EN 1888-2:2018. Ce produit est adapté pour des enfants pesant moins de 22 kg. Veuillez lire attentivement et suivre chaque étape de ce mode d'emploi pour garantir le confort et la meilleure protection de votre enfant lors de vos déplacements.

IMPORTANT - A LIRE ATTENTIVEMENT ET A CONSERVER POUR CONSULTATION ULTERIEURE.

Rendez-vous notre site joiebaby.com si vous avez besoin d'informations complémentaires ou pour télécharger des manuels d'instructions et découvrir d'autres produits intéressants de la marque Joie!

Pour plus d'informations sur la garantie, veuillez consulter notre site Web à l'adresse suivante: www.joiebaby.com.

Sommaire

Schémas	1-12
AVERTISSEMENT	33
Assemblage de la poussette	36
Ouverture de la poussette	36
Installation et retrait des roues avant	36
Installation et retrait des roues arrière	36
Installation de la capote	36
Installation et retrait de la barre de retenue	36

Fonctionnement de la poussette	37
Réglage du dossier	37
Utilisation de la boucle de harnais	37
Utilisation des harnais au niveau des épaules et de la taille	38
Réglage du repose-jambes	38
Utilisation du système de blocage des roues avant	39
Utilisation du frein	39
Utilisation de la capote	39
Réglage de la hauteur du guidon	39
Réglage de la hauteur de l'assise	40
Réglage de l'orientation du siège	40
Utilisation du panier de rangement	40
Pliage de la poussette	40
Utilisation des accessoires	41
Installation et retrait des parties souples	42
Entretien et réparations	44

Urgence

En cas d'urgence ou d'accident, il est très important de prendre immédiatement soin de votre enfant en lui prodiguant les soins de premiers secours puis en le faisant examiner par un médecin.

Informations sur le produit

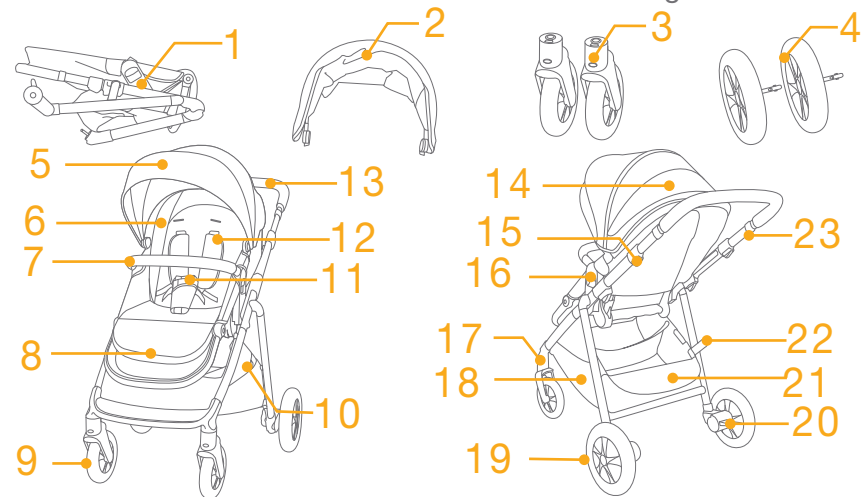
Important – A lire attentivement et à conserver pour référence ultérieure. Pour toutes questions supplémentaires, veuillez contacter votre revendeur. Certaines fonctionnalités peuvent ne pas être disponibles sur certains modèles.

Produit	Poussette Aeria
Convient	aux enfants de la naissance à 22kg (4ans env.)
Matériaux	Plastiques, métal, tissus
N° brevet	Brevets en attente
Fabriqué en	Chine
Nom de marque	Joie
Site Web	www.joiebaby.com
Fabricant	Allison GmbH

Liste des pièces

Assurez-vous que toutes les pièces sont présentes avant le montage. Si une pièce est manquante, contactez votre revendeur local. Le montage ne nécessite aucun outil.

- | | | | |
|----|---------------------|----|---|
| 1 | Châssis | 14 | Fenêtre de la capote |
| 2 | Capote | 15 | Bouton de pliage |
| 3 | Roue avant | 16 | Bouton de déverrouillage du siège |
| 4 | Roue arrière | 17 | Système de verrouillage des roues avant |
| 5 | Capote | 18 | Sac de rangement A |
| 6 | Assise de siège | 19 | Roue arrière |
| 7 | Barre de retenue | 20 | Pédale de frein |
| 8 | Repose-jambes | 21 | Sac de rangement B |
| 9 | Roue avant | 22 | Loquet de rangement |
| 10 | Panier de rangement | 23 | Bouton de réglage de la hauteur du guidon |
| 11 | Boucle du harnais | | |
| 12 | Harnais d'épaules | | |
| 13 | Guidon | | |

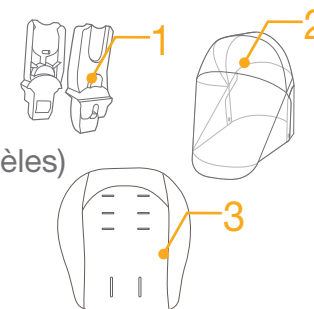


Accessoires

(Peuvent ne pas être inclus)

- | | |
|---|---|
| 1 | Adaptateur (sur certains modèles) |
| 2 | Habillage de pluie (sur certains modèles) |
| 3 | Insert (sur certains modèles) |

Les accessoires peuvent être vendus séparément ou ne pas être disponibles selon la région.



AVERTISSEMENTS

- ! AVERTISSEMENT : Ne jamais laisser l'enfant sans surveillance.
- ! AVERTISSEMENT : S'assurer que tous les dispositifs de verrouillage sont enclenchés avant utilisation.
- ! AVERTISSEMENT : Pour éviter toute blessure, maintenir votre enfant à l'écart lors du dépliage ou du pliage du produit.
- ! AVERTISSEMENT : Ne pas laisser votre enfant jouer avec ce produit.
- ! AVERTISSEMENT: Toujours utiliser le système de retenue.
- ! AVERTISSEMENT : Ce produit ne convient pas pour faire du jogging ou des promenades en rollers.
- ! AVERTISSEMENT : Vérifier que les dispositifs de fixation de la nacelle, du siège ou du siège-auto sont correctement enclenchés avant utilisation
- ! AVERTISSEMENT : Assurez-vous que le dispositif de blocage à l'arrêt est enclenché lorsque l'on place l'enfant dans le véhicule ou qu'on l'en sort.
- ! AVERTISSEMENT : Ne pas utiliser d'accessoires qui ne sont pas approuvés par le fabricant.
- ! AVERTISSEMENT : Seules les pièces de rechange fournies ou recommandées par le fabricant/distributeur doivent être utilisées.
- ! AVERTISSEMENT : Toute charge attachée au poussoir et/ou à l'arrière du dossier et/ou sur les côtés du véhicule peut influencer sur la stabilité du véhicule.
- ! AVERTISSEMENT : Ce véhicule ne remplace pas un couffin ou un lit. Lorsque l'enfant a besoin de dormir il convient de le placer dans une nacelle, un couffin ou un lit approprié.
- ! AVERTISSEMENT : S'assurer que les dispositifs de fixation du cadre de la poussette et du siège sont correctement enclenchés avant utilisation.
- ! Utilisez cette poussette avec un enfant qui pèse moins de 22kg (4ans env.). L'utilisation avec un enfant plus lourd et plus grand peut endommager la poussette.

- ! Cette poussette est conçue pour une utilisation avec un seul enfant à la fois et convient aux enfants de la naissance à 22kg.
 - ! Il est conseillé d'utiliser la poussette avec le dossier dans sa position la plus inclinée pour les nouveaux-nés.
 - ! L'assemblage doit être réalisé par un adulte.
 - ! Pour éviter le coincement des doigts, faites attention lors du pliage et du dépliage de la poussette.
 - ! Assurez-vous que la poussette est complètement ouverte ou pliée avant de laisser un enfant à proximité de la poussette.
 - ! Pour empêcher tout basculement, ne laissez jamais l'enfant monter seul dans la poussette. Il faut toujours installer et sortir vous-même l'enfant de la poussette.
 - ! Assurez-vous que le corps de l'enfant est exempt des pièces mobiles lors du réglage de la poussette.
 - ! Surchargée, mal pliée et utilisée avec des accessoires non homologués par le fabricant, la poussette pourrait s'endommager ou se casser.
 - ! Ne placez pas des sacs à main, des sacs de courses, des colis ou autres accessoires sur la poignée ou sur la capote.
 - ! Pour éviter des situations instables ou dangereuses, ne rangez pas plus de 4.5kg dans le panier.
 - ! Utilisez toujours le système de retenue pour éviter que l'enfant ne se blesse en tombant ou en glissant du siège.
- L'enfant peut glisser en sous marinage par les ouvertures des jambes et être étranglé si le harnais n'est pas attaché.
- ! N'utilisez jamais la poussette dans des escaliers ou escaliers mécaniques. Lorsque vous montez ou descendez des escaliers ou des escalators, sortez toujours votre enfant de la poussette et pliez-la.
 - ! NE placez pas dans la poussette des objets chauds, des liquides ou des appareils électroniques. Ne placez pas la poussette à proximité d'une source de chaleur.
 - ! NE jamais laisser votre enfant se tenir debout sur la poussette ou s'asseoir avec la tête vers l'avant.
 - ! NE jamais stationner la poussette sur la route, dans une pente ou dans un endroit ou zones dangereuses.

- ! Activer toujours le système de freinage lorsque vous stationnez la poussette. pente ou dans un endroit ou zones dangereuses.
- ! Activer toujours le système de freinage lorsque vous stationnez la poussette.
- ! NE lâchez pas votre poussette a proximité des routes ou des voies ferrées, meme si le frein est serré, car l'appel d'air du au passage d'une voiture ou d'un train pourrait la déplacer.
- ! NE levez pas la poussette lorsque l'enfant se trouve dans la poussette.
- ! N'utilisez pas le panier de rangement comme porte-bébé.
- ! Pour éviter tout risque d'étranglement, ne placez AUCUN objet avec une ficelle autour du cou de votre enfant, ne suspendez aucune ficelle à ce produit, et n'attachez aucune ficelle aux jouets.
- ! Pour éviter tout risque d'étouffement, enlevez le sac en plastique et les matériaux d'emballage avant d'utiliser ce produit. Le sac en plastique et les matériaux d'emballage doivent être conservés hors de portée des bébés et des enfants.
- ! L'utilisateur doit assurer l'entretien régulier de cette poussette. La poussette doit être contrôlée après une longue période d'inutilisation.
- ! Arrêtez d'utiliser la poussette si elle est endommagée ou cassée.
- ! La nacelle convient a un enfant qui ne peut pas se tenir assis seul, ni se retourner et se relever sur ses mains et ses genoux. Ce produit convient aux enfants dont le poids maximum est de 9 kilos.
- ! N'utilisez pas, ni ajoutez un matelas autre que celui fourni avec la nacelle.
- ! Veuillez lire toutes les instructions du manuel avant d'utiliser ce produit.
- ! Veuillez conserver le mode d'emploi pour consultation ultérieure. Le non-respect des avertissements et instructions peut entraîner des blessures graves ou mortelles.
- ! Si la poussette est utilisée par des personnes qui ne la connaissent pas, comme les grands-parents par exemple, montrez-leur comment elle fonctionne et donnez-leur à lire le manuel d'instructions.

Assemblage de la poussette

(Veuillez consulter les figures en page 1-12)

Lisez toutes les instructions du présent manuel avant d'assembler et d'utiliser ce produit.

Ouverture de la poussette

voir les images ① - ③

Séparez le loquet de fermeture du support ①, puis levez la poignée vers le haut ②, un son de clic signifie que la poussette est complètement ouverte.

! Appuyez sur le repose-pied et réglez-le à nouveau. ③ - 1

! Veuillez attacher le bouton sous le support de jambe. ③ - 2

! Vérifiez que la poussette est complètement verrouillée avant de poursuivre.

Installation et retrait des roues avant

voir les images ④ - ⑤

Installation et retrait des roues arrière

voir les images ⑥ - ⑧

Installation de la capote

voir les images ⑨ - ⑩

Installation et retrait de la barre de retenue

voir les images ⑪ - ⑫

La poussette complètement assemblée est illustrée ⑬

Fonctionnement de la poussette

Réglage du dossier

voir les images 14 - 15

Le dossier du siège se règle sur 5 positions.

Pour incliner le dossier, appuyez sur la poignée d'inclinaison à l'arrière du siège, et inclinez le dossier vers le bas. 14

Pour relever le dossier, poussez-le au niveau de la poignée à la hauteur que vous souhaitez. 15

! L'inclinaison doit être réglée correctement avant utilisation.

! La charge maximale de la poche de rangement à l'arrière du dossier est de 0,45 kg.

Utilisation de la boucle du harnais

voir les images 16 - 17

Déverrouillage de la boucle

Appuyez sur le bouton, la boucle s'ouvrira automatiquement. 16

Verrouillage de la boucle

Faites correspondre la boucle de la taille avec celle de l'épaule. d'épaule 17 - 1, et alignez-les avec la boucle centrale, la boucle se verrouillera automatiquement. 17 - 2

Vous entendrez un « clic » signifiant que la boucle est complètement verrouillée. 17 - 3

! Attachez toujours votre enfant avec un harnais pour éviter que l'enfant ne se blesse en tombant ou en glissant du siège.

! Vérifiez que votre enfant est bien attaché. L'espace entre l'enfant et le harnais d'épaules doit faire environ l'épaisseur d'une main.

! Ne croisez pas les ceintures d'épaules. Autrement cela pourrait entraîner une tension sur le cou de l'enfant et le blesser.

Utilisation des harnais au niveau des épaules et de la ceinture

voir les images 18 - 21

! Pour éviter que votre enfant ne tombe ou glisse de la poussette, vérifiez que les harnais d'épaules et de taille sont à la bonne hauteur et la bonne longueur une fois l'enfant installé dans le siège.

18 - 1 Boucle du harnais d'épaules

18 - 2 Boucle pour faire coulisser la sangle et la régler à la bonne longueur.

Pour les enfants de grande taille, utilisez le point d'ancrage du harnais d'épaules et les fentes les plus élevées au niveau des épaules. Pour les enfants de petite taille, utilisez le point d'ancrage du harnais d'épaules et les fentes les plus basses au niveau des épaules.

! La position du système d'ancrage de la ceinture d'épaule peut être ajustée à partir de l'ouverture supérieure qui est fermée par les attaches ou de la poche inférieure. 19 - 1

Pour régler la position de la boucle d'ancrage du harnais d'épaules, retournez l'œillet face avant de manière à être au même niveau. Le passer à travers la fente du harnais d'épaules, de l'arrière vers l'avant. 19 Enfilez-le à nouveau dans l'emplacement le plus proche de la hauteur des épaules de l'enfant. 20

faites coulisser la boucle sur la sangle pour modifier la longueur du harnais. 21 - 1

Appuyez sur le bouton 21 - 2, tout en tirant sur le harnais à la taille jusqu'à la longueur appropriée. 21 - 3

Réglage du repose-jambes

voir les images 22 - 23

Le repose-jambes se règle sur 2 positions.

Pour relever le repose-jambes, remontez-le vers le haut. 22 Vous entendrez un « clic » signifiant que le repose-jambes est complètement verrouillé.

Pour abaisser le repose-jambes, appuyez sur les boutons de réglage qui sont situés sur les deux côtés de l'assise 23 - 1, puis abaissez-le. 23 - 2

Utilisation du système de verrouillage des roues avant

voir les images 24

Pour bloquer les roues, il suffit de remonter le loquet de verrouillage qui se trouve sur chacune des roues avant. 24.

Conseil Il est recommandé d'utiliser les verrouillages de pivotement sur les surfaces irrégulières.

Utilisation du frein

voir les images 25 - 26

Pour stopper la poussette, appuyez sur la pédale de frein. 25

Pour libérer les roues, relevez la pédale de frein avec votre pied. 26

Conseil Mettez toujours le frein lorsque la poussette est à l'arrêt.

Utilisation de la capote

voir les images 27 - 28

La capote se plie et se replie d'une main. Il suffit de la tirer vers l'avant pour la déplier ou de la rabattre vers l'arrière pour la replier.

La voilure peut être ouverte complètement pour protéger votre enfant du soleil au maximum, ouvrez simplement la fermeture éclair. 27

La capote est équipée d'une fenêtre, à travers laquelle vous pouvez voir votre bébé. 28

Réglage de la hauteur du guidon

voir les images 29

Le guidon est réglable sur 4 positions.

Réglage de la hauteur du siège

voir les images 30 - 31

La hauteur de l'assise est réglable en hauteur sur 4 positions.

Tirez le siège vers le haut pour augmenter la hauteur du siège. 30

Appuyez sur les boutons de réglage situés sur les deux côtés du chaque côté du châssis et tirez vers le haut, puis poussez vers le bas pour réduire la hauteur du siège. 31

Changement de l'orientation du siège

voir les images 32 - 38

Le siège est réglable sur deux positions; soit l'enfant regarde sa mère, soit il lui tourne le dos.

Pour changer l'orientation du siège, appuyez sur les boutons situés sur les deux côtés du châssis pour le dégager, soulevez-le et tournez en position inverse, puis insérez-le dans les fixations.

Les deux supports de siège doivent être à niveau, comme indiqué dans 33. Si les situations indiquées dans 34 & 35 se produisent, appuyez sur les boutons de réglage de la hauteur du siège et tirez vers le haut, puis poussez vers le bas pour réduire la hauteur du siège et assurez-vous que les deux supports de siège sont à niveau. 36

Utilisation du panier de rangement

voir les images 39

Détachez les boutons du panier pour augmenter l'espace du panier. 39 - 1

La charge maximale de chaque sac de rangement A sur les deux cotés du panier est de 0,45 kg.


Pour éviter des situations dangereuses ou instables, ne placez pas plus de 4,5kg dans le panier de rangement et le panier de rangement B.

Pliage de la poussette

voir les images 40 - 43

! Veuillez plier la capote avant de plier la poussette.

Appuyez sur le bouton de pliage et tirez vers le haut,  puis tournez la poignée vers le bas,  le loquet de fermeture se verrouillera automatiquement. 

- ! Si le siège est en position basse, il peut glisser vers le bas pendant le pliage de la poussette pour s'assurer que le verrou de pliage se verrouille automatiquement.
- ! Veuillez ne pas plier le châssis lorsque le siège est orienté face à vous. 
- ! Veuillez ne pas plier le châssis lorsque le verrou de la roue avant est enclenché.
- ! La poussette avec le siège face à l'avant peut être relevé lorsque la poignée est en position haute.

Utilisation des accessoires

Les accessoires peuvent être vendus séparément ou ne pas être disponibles selon la région.

Utilisation de l'habillage de pluie

voir les images 


Pour installer l'habillage de pluie, placez-le par-dessus le siège.

- ! Lorsque vous utilisez l'habillage de pluie, vérifiez que l'air circule bien à l'intérieur.
- ! Lorsque la l'habillage de pluie n'est pas utilisée, veillez à ce qu'il soit propre et sec avant de le ranger.
- ! Ne pliez pas la poussette lorsque l'habillage de pluie est installé.
- ! Ne placez pas votre enfant dans la poussette avec l'habillage de pluie fixé par temps chaud.

Utilisation du dispositif de retenue pour bébé/enfant

voir les images  - 

En cas d'utilisation avec le dispositif de retenue pour bébé/enfant Joie i-Gemm 2 & i-Level & i-Snug, veuillez suivre les instructions suivantes.

- ! Vous entendrez un « clic » si l'adaptateur est complètement verrouillé.
- ! L'angle du siège pour enfant peut être réglé avec nos adaptateurs réglables. 
- ! L'adaptateur a 3 positions. Veuillez ne pas utiliser ce produit lorsque la tête du bébé est plus basse que ses pieds après avoir fixé le dispositif de retenue pour enfant.
- ! Si vous rencontrez des problèmes concernant l'utilisation du dispositif de retenue pour bébé/enfant, veuillez consulter son manuel d'utilisation.
- ! Veuillez ne pas plier la poussette lorsque le dispositif de retenue pour bébé/enfant est encore attaché.

Utilisation avec une nacelle Joie

voir les images  - 

En cas d'utilisation avec la nacelle Joie ramble, ramble xl, veuillez consulter les instructions suivantes.

- ! Si vous rencontrez des problèmes lors de l'utilisation de la nacelle, veuillez consulter son manuel d'instructions.
- ! Veuillez ne pas utiliser ce produit lorsque la tête du bébé est plus basse que ses pieds après avoir fixé la nacelle.
- ! Utilisez toujours le matelas avec la nacelle.
- ! Veuillez ne pas plier la poussette lors de la fixation de la nacelle.

Utilisation de l'insert

voir les images  - 

Installation et retrait des parties souples

voir les images 56 - 64

1. Retirez la barre de retenue présentée en 12
2. Ouvrez la boucle se trouvant en bas du siège. 56

Pour ré-assembler les parties souples du siège, suivez les étapes ci-dessus dans l'ordre inverse 64 - 56

Entretien et réparations

voir les images 65

- ! Pour nettoyer le cadre de la poussette, utilisez uniquement un produit ménager avec de l'eau chaude. Ne pas utiliser de détergent, eau de javel ou agent blanchissant. Pour les parties en tissu, veuillez vous reporter aux instructions de lavage qui se trouvent sur les étiquettes de texture.
- ! Les parties en tissu amovibles peuvent être lavées à la machine avec un programme délicat. Ne pas utiliser de détergent, ni d'eau de javel et d'agent blanchissant. Ne pas utiliser de programme d'essorage trop fort. Cela pourrait laisser des plis sur la housse de siège et le rembourrage interne. Il est recommandé de faire sécher les parties en tissu à plat.
- ! Vérifiez régulièrement la poussette pour détecter des vis desserrées, des pièces abîmées, des tissus ou des coutures déchirées. Remplacez ou réparez les pièces endommagées si nécessaire après avoir contacté au préalable votre revendeur. Essayez de temps à autre les pièces en plastique avec un chiffon doux humide. Séchez toujours les pièces métalliques pour empêcher la formation de rouille si la poussette est entrée en contact avec de l'eau.
- ! L'exposition excessive au soleil ou à la chaleur peut décolorer ou déformer les pièces en tissu.
- ! Si la poussette est mouillée, ouvrez la capote et laissez-la sécher complètement avant de la ranger. 65
- ! Si les roues grincent, mettez un peu d'huile après avoir pris soin de les nettoyer. Il est important que l'huile pénètre bien dans les essieux des roues.

DE Willkommen bei Joie™

Glückwunsch, dass Sie ein Mitglied der Joie-Familie sind! Wir freuen uns, nun ein Teil Ihres Lebens mit Nachwuchs zu sein. Mit dem Joie aeria, nutzen Sie einen hochwertigen, vollständig zertifizierten Kinderwagen, der der europäischen Sicherheitsnorm EN 1888-2:2018 entspricht. Dieses Produkt eignet sich für Kinder bis 22 kg oder 4 Jahre, je nachdem, was zuerst eintritt. Lesen Sie diese Anleitung sorgfältig durch und beachten Sie die einzelnen Schritte zur Gewährleistung einer komfortablen Fahrt und optimalen Sicherheit für Ihr Kind.

**WICHTIG - BITTE SORGFÄLTIG DURCHLESEN
UND FÜR ZUKÜNFTIGE VERWENDUNG
AUFBEWAHREN.**

Besuchen Sie uns unter joiebaby.com, um Anleitungen herunterzuladen und weitere tolle Joie-Produkte kennenzulernen!

Inhalt

Abbildungen	1-12
WARNUNG	49
Kinderwagen montieren	52
Kinderwagen aufklappen	52
Vorderräder montieren und demontieren	52
Hinterräder montieren und demontieren	52
Verdeck montieren	52
Spielbügel montieren und demontieren	52

Kinderwagen bedienen	53
Rückenlehne anpassen	53
Gurtverschluss verwenden	53
Schulter- und Taillengurte anlegen	54
Beinauflage anpassen	54
Vorderräder feststellen	55
Feststellbremse verwenden	55
Verdeck verwenden	55
Schiebebügel einstellen	55
Sitzhöhe einstellen	55
Sitz ausrichten	56
Staukorb verwenden	56
Kinderwagen zusammenklappen	56
Zubehör verwenden	57
Textilteile anbringen und entfernen	58
Reinigung und Wartung	60

Notfall

Bei einem Notfall oder Unfall muss Ihr Kind unverzüglich erste Hilfe bekommen und medizinisch versorgt werden.

Produktinformationen

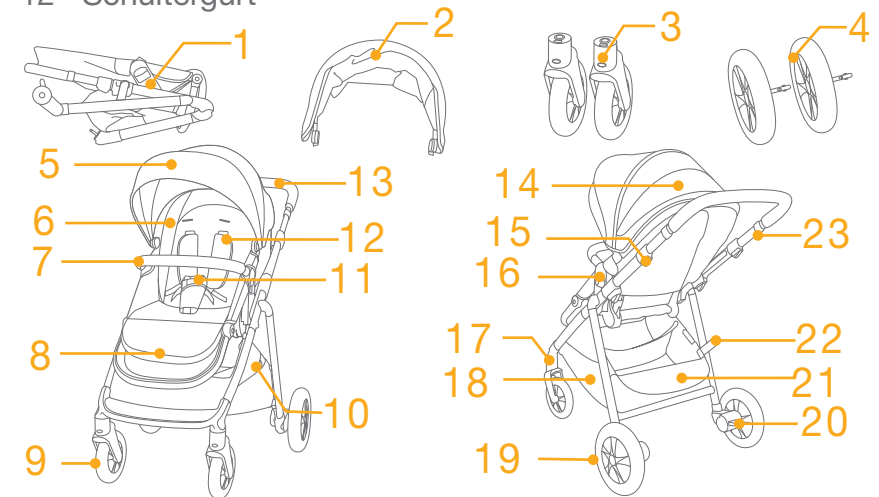
Lesen Sie alle Hinweise in dieser Anleitung, bevor Sie dieses Produkt einsetzen. Bei weiteren Fragen wenden Sie sich an Ihren Händler. Einige Bestandteile können je nach Modell variieren.

Produkt	Kinderwagen Aeria
Eignet sich für	Kinder bis 22 kg oder 4 Jahre, je nachdem, was zuerst eintritt.
Materialien	Kunststoff, Metall, Stoff
Patent-Nr.	Patente angemeldet
Hergestellt in	China
Markenname	Joie
Webseite	www.joiebaby.com
Hersteller	Allison GmbH

Teileliste

Überprüfen Sie vor der Montage, ob alle Teile vorhanden sind. Falls etwas fehlen sollte, wenden Sie sich an Ihren Händler vor Ort. Für die Montage werden keine Werkzeuge benötigt.

- | | | | |
|----|--------------------|----|----------------------|
| 1 | Kinderwagengestell | 13 | Schiebebügel |
| 2 | Verdeck | 14 | Verdeckfenster |
| 3 | Vorderrad | 15 | Zusammenklappknopf |
| 4 | Hinterrad | 16 | Sitzfreigabeknopf |
| 5 | Verdeck | 17 | Lenksperre |
| 6 | Sitzauflage | 18 | Aufbewahrungsfach A |
| 7 | Spielbügel | 19 | Hinterrad |
| 8 | Beinauflage | 20 | Bremshebel |
| 9 | Vorderrad | 21 | Aufbewahrungsfach B |
| 10 | Staukorb | 22 | Faltverschlussriegel |
| 11 | Gurtverschluss | 23 | Griffeinstellknopf |
| 12 | Schultergurt | | |

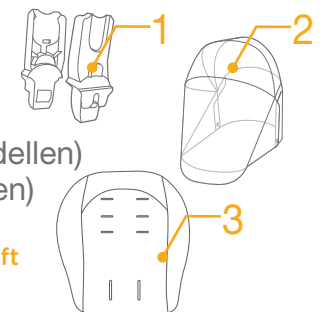


Zubehör

(im Kauf eventuell nicht enthalten)

- | | |
|---|--|
| 1 | Adapter (bei bestimmten Modellen) |
| 2 | Regenverdeck (bei bestimmten Modellen) |
| 3 | Sitzauflage (bei bestimmten Modellen) |

Zubehör wird möglicherweise separat verkauft oder ist je nach Region nicht verfügbar.



WARNUNG

- ! WARNUNG Immer das Rückhaltesystem verwenden. Sicherheitsgurte und Rückhaltesystem müssen richtig verwendet werden.
- ! WARNUNG Stellen Sie vor der Benutzung sicher, dass alle Verschlusssteile verriegelt sind.
- ! WARNUNG Lassen Sie das Kind nicht mit diesem Produkt spielen.
- ! WARNUNG Prüfen Sie vor der Benutzung, ob Babywanne, Sitzeinheit oder Babyschale richtig angebracht sind.
- ! Das Produkt muss von einem Erwachsenen montiert werden.
- ! Dieses Produkt eignet sich für Kinder bis 22 kg oder 4 Jahre, je nachdem, was zuerst eintritt.
- ! Um eine gefährliche Instabilität zu vermeiden, beladen Sie den Staukorb nicht mit mehr als 4,5 kg.
- ! Lassen Sie das Kind nie unbeaufsichtigt. Behalten Sie ein Kind im Kinderwagen stets im Auge.
- ! Legen Sie immer nur jeweils ein Kind in den Kinderwagen. Legen Sie niemals Geldbörsen, Einkaufstaschen, Pakete oder Zubehör auf den Schiebegriff oder das Verdeck.
- ! Nicht vom Hersteller zugelassenes Zubehör sollte nicht verwendet werden. Verwenden Sie nur vom Hersteller gelieferte oder empfohlene Ersatzteile.
- ! Überlastung, falsches Zusammenklappen oder die Nutzung von Komponenten anderer Hersteller können zu Schäden, Defekten oder Sicherheitsbeeinträchtigungen des Kinderwagens führen. Lesen Sie diese Anleitung sorgfältig durch.
- ! Lesen Sie alle Hinweise in dieser Anleitung, bevor Sie das Produkt verwenden. Bewahren Sie die Anleitung zum späteren Nachschlagen auf. Nichtbeachtung dieser Warnhinweise und Anweisungen könnte zu schweren oder tödlichen Verletzungen führen.
- ! Verwenden Sie stets den Sicherheitsgurt, um Verletzungen durch Herausfallen oder Herausrutschen zu vermeiden.
- ! Achten Sie bei Einstellungen am Kinderwagen darauf, dass der Körper Ihres Kindes nicht mit den beweglichen Teilen in Kontakt kommt.

- ! Vergewissern Sie sich, dass der Kinderwagen komplett auf- oder zusammengeklappt ist, bevor Sie Ihr Kind in die Nähe des Kinderwagens lassen.
- ! Das Kind könnte in die Beinöffnungen rutschen und ersticken, wenn der Gurt nicht angelegt ist.
- ! Transportieren Sie den Kinderwagen niemals über Treppenstufen oder Rolltreppen.
- ! Halten Sie den Kinderwagen von heißen/Hitze erzeugenden Gegenständen, Flüssigkeiten und Elektrogeräten fern.
- ! Lassen Sie Ihr Kind niemals im Kinderwagen stehen oder mit dem Kopf zur Vorderseite des Kinderwagens gerichtet sitzen.
- ! Stellen Sie den Kinderwagen niemals auf Straßen an Hanglagen oder in Gefahrenbereichen ab.
- ! Platzieren Sie KEINE Gegenstände mit einem Band oder Faden um den Hals Ihres Kindes, hängen Sie KEINE Bänder oder Fäden an dieses Produkt und bringen Sie KEINE Bänder oder Fäden an Spielzeugen an, damit sich das Kind nicht strangulieren kann.
- ! Jegliche am Schiebebügel und/oder an der Rückseite der Rückenlehne und/oder an den Seiten des Kinderwagens angebrachte Last wirkt sich auf die Stabilität des Kinderwagens aus.
- ! Heben Sie den Kinderwagen NICHT an, wenn sich ein Kind darin befindet.
- ! Verwenden Sie den Staukorb NICHT als Kindersitz.
- ! Der Kinderwagen kann umkippen, wenn Ihr Kind darauf klettert. Heben Sie das Kind stets in den bzw. aus dem Kinderwagen.
- ! Seien Sie beim Auf- und Zusammenklappen des Kinderwagens vorsichtig, damit Sie sich die Finger nicht einklemmen.
- ! Um Verletzungen zu vermeiden, stellen Sie sicher, dass sich das Kind nicht in der Nähe befindet, wenn Sie dieses Produkt auf- oder zusammenklappen.
- ! Zur Gewährleistung der Sicherheit für Ihr Kind achten Sie vor Verwendung des Kinderwagens darauf, dass alle Teile sachgemäß montiert und befestigt sind.
- ! Zur Vermeidung einer Strangulation muss das Verdeck ausreichend weit vom Kind entfernt sein.
- ! Ziehen Sie stets die Bremsen an, wenn Sie den Kinderwagen abstellen.

- ! Verwenden Sie Ihren Kinderwagen nicht mehr, wenn er beschädigt oder kaputt ist.
- ! Der Kinderwagen sollte nur mit Schrittgeschwindigkeit geschoben werden. Er ist nicht für den Einsatz beim Joggen geeignet.
- ! Entfernen Sie zur Vermeidung von Ersticken Gefahr den Kunststoffbeutel und sämtliche Verpackungsmaterialien vor dem ersten Einsatz. Halten Sie Kunststoffbeutel und Verpackungsmaterialien von Säuglingen und Kindern fern.
- ! Während der Verwendung dieses Produkts dürfen Sie nicht laufen oder skaten.
- ! Neugeborene sollten liegend transportiert werden; kippen Sie dazu die Rückenlehne in waagrechte Position.
- ! Nutzen Sie die Feststellbremse, wenn Sie das Kind hineinlegen oder herausnehmen.
- ! Wenn eine Babyschale in Kombination mit einem Kinderwagengestell verwendet wird, ersetzt dieser Kinderwagen kein Babybett/Bett. Falls Ihr Kind müde ist, sollten Sie es in einen geeigneten Kinderwagen, ein Gitter- bzw. Babybett legen.
- ! Die darf nicht länger verwendet werden, sobald das Kind in der Lage ist, sich selbständig aufzusetzen, sich umzudrehen oder sich auf Händen und Knien abzustützen. Maximalgewicht des Kindes: 9 kg.
- ! Verwenden Sie NUR die mit der Babywanne gelieferte Matratze; fügen Sie keine weitere Matratze hinzu.
- ! Bringen Sie keine Gegenstände an Schiebebügel, Sitzrückseite oder Seiten des Kinderwagens an. Jegliche Zusatzlast wirkt sich auf die Stabilität des Kinderwagens aus und könnte den Kinderwagen umkippen lassen.
- ! Ergänzen Sie keine zusätzliche Matratze, sofern nicht vom Hersteller empfohlen.
- ! Bitte klappen Sie das Wagengestell nicht zusammen, wenn der Sitz entgegen der Fahrtrichtung aufgesteckt.

Kinderwagen montieren

(Bitte beachten Sie die Abbildungen auf Seite 1-12)

Lesen Sie alle Hinweise in dieser Anleitung, bevor Sie dieses Produkt montieren und verwenden.

Kinderwagen aufklappen

siehe Abbildungen ① - ③

Lösen Sie den Faltverschlussriegel von der Halterung ①, und heben Sie dann den Schiebebügel an ②. Ein Klickgeräusch zeigt an, dass der Kinderwagen vollständig aufgeklappt ist.

! Drücken Sie die Fußstütze nach unten und setzen Sie sie zurück. ③ - 1

! Schließen Sie den Druckknopf unter der Beinauflage. ③ - 2

! Prüfen Sie vor der weiteren Benutzung, ob der Kinderwagen vollständig verriegelt ist.

Vorderräder montieren und demontieren

siehe Abbildungen ④ - ⑤

Hinterräder montieren und demontieren

siehe Abbildungen ⑥ - ⑧

Verdeck montieren

siehe Abbildungen ⑨ - ⑩

Spielbügel montieren und demontieren

siehe Abbildungen ⑪ - ⑫

Den vollständig montierten Kinderwagen sehen Sie in ⑬

Kinderwagen bedienen

Rückenlehne anpassen

siehe Abbildungen 14 - 15

Die Rückenlehne hat 5 Neigungswinkel.

Rückenlehne zurückklappen

Senken Sie die Rückenlehne ab, indem Sie den Neigungseinstellgriff an der Rückseite des Sitzes zusammendrücken und die Rückenlehne nach unten ziehen. 14

Rückenlehne hochklappen

Heben Sie die Rückenlehne durch Drücken des Neigungseinstellgriffs nach oben an. 15

! Achten Sie darauf, die Neigung zur Verwendung sachgemäß einzustellen.

! Die maximale Tragfähigkeit des Aufbewahrungsfachs an der Rückenlehne beträgt 0,45 kg.

Gurtverschluss verwenden

siehe Abbildungen 16 - 17

Gurtverschluss lösen

Drücken Sie den Knopf und der Gurtverschluss löst sich automatisch. 16

Gurtverschluss schließen

Richten Sie die Schnallen der Taillengurte an den Schnallen der Schultergurte aus 17 - 1 und richten Sie diese dann am Gurtverschluss. Der Gurtverschluss verriegelt sich automatisch. 17 - 2 Ein Klickgeräusch zeigt an, dass der Verschluss eingerastet ist. 17 - 3

! Um schwere Verletzungen aufgrund von Herausfallen oder Herausgleiten zu verhindern, legen Sie Ihrem Kind stets die Sicherheitsgurte an.

! Vergewissern Sie sich, dass Ihr Kind rutschfest gehalten wird. Der Abstand zwischen dem Kind und dem Schultergurt sollte etwa die Dicke einer Hand betragen.

! Legen Sie die Schultergurte nicht gekreuzt an. Andernfalls wird Druck auf den Hals des Kindes erzeugt.

Schulter- und Taillengurte anlegen

siehe Abbildungen 18 - 21

! Nachdem Sie Ihr Kind in den Sitz gesetzt haben, prüfen Sie, ob die Schulter- und Taillengurte in der richtigen Höhe verlaufen und lang genug sind, um Ihr Kind vor dem Herausfallen zu schützen.

18 - 1 Schultergurtverankerung

18 - 2 Gurtversteller

Verwenden Sie bei einem größeren Kind die Schultergurtverankerung und die obersten Schulterschlitze. Bei einem kleineren Kind müssen die Schultergurtverankerung und die untersten Schulterschlitze verwendet werden.

! Die Position der Schultergurtverankerung lässt sich entweder durch die obere oder durch die untere Öffnung auf der Rückseite der Rückenlehne verstellen. 19 - 1

Zur Verstellung der Position der Schultergurtverankerung drehen Sie die Verankerung so, dass sie mit der nach vorne weisenden Seite auf einer Ebene liegt. Führen Sie sie von hinten nach vorne durch den Schultergurtschlitz. 19 Führen Sie sie erneut durch den Schlitz, welcher der Schulterhöhe des Kindes am nächsten liegt. 20

Ändern Sie die Gurtlänge mit dem Schieberegler. 21 - 1

Drücken Sie auf den Knopf 21 - 2, während Sie den Taillengurt auf die richtige Länge ziehen. 21 - 3

Beinauflage einstellen

siehe Abbildungen 22 - 23

Es gibt zwei Positionen für die Beinauflage.

Drücken Sie die Beinauflage zum Anheben nach oben. 22 Ein Klickgeräusch zeigt an, dass die Beinauflage eingerastet ist.

Drücken Sie zum Absenken der Beinauflage die Einstellknöpfe an beiden Seiten der Wadenstütze 23 - 1 und drehen Sie die Beinauflage nach unten. 23 - 2

Voderräder feststellen

siehe Abbildungen 24

Vorderräder feststellen oder entriegeln gemäß 24.

Tipp Die Verwendung der Lenksperre empfiehlt sich auf unebenem Untergrund.

Feststellbremse verwenden

siehe Abbildungen 25 - 26

Zur Arretierung der Räder drücken Sie den Bremshebel mit dem Fuß nach unten. 25

Lösen Sie die Sperrung durch Ziehen des Bremshebels nach oben. 26

Tipp Verwenden Sie die Feststellbremse immer, wenn der Kinderwagen nicht geschoben wird.

Verdeck verwenden

siehe Abbildungen 27 - 28

Das Verdeck kann durch Ziehen nach vorne oder hinten geöffnet oder zusammengeklappt werden.

Das Verdeck kann für maximalen Schutz Ihres Kindes vor der Sonne vollständig geöffnet werden. Öffnen Sie einfach den Reißverschluss 27, ziehen Sie dann das Verdeck nach vorne.

Das Verdeck besitzt ein Fenster, durch das Sie Ihr Baby sehen können. 28

Schiebebügel einstellen

siehe Abbildungen 29

Der Schiebebügel hat 4 Positionen.

Sitzhöhe einstellen

siehe Abbildungen 30 - 31

Der Sitz hat 4 Positionen.

Ziehen Sie den Sitz nach oben, um ihn zu erhöhen. 30

Drücken Sie die Sitzeinstellknöpfe, ziehen Sie den Sitz hoch und drücken Sie ihn anschließend nach unten, um ihn zu senken. 31

Sitz ausrichten

siehe Abbildungen 32 - 33

Die Sitzeinheit ist auch entgegen der Fahrtrichtung nutzbar, damit sich der Blick des Kindes in Richtung Mutter wenden kann.

Drücken Sie beide Sitzfreigabeknöpfe und heben Sie zeitgleich den Sitz an. Drehen Sie den Sitz um und setzen Sie ihn in die Sitzhalterungen ein.

Beide Sitzhalterungen müssen auf gleicher Höhe liegen, wie in 33 gezeigt; bei einer Situation wie in 34 & 35 drücken Sie die Sitzeinstellknöpfe, ziehen Sie den Sitz hoch und drücken Sie ihn anschließend nach unten, um ihn zu senken, damit beide Sitzhalterungen auf gleicher Höhe liegen. 36

Staukorb verwenden

siehe Abbildungen 39

Lösen Sie die Knöpfe im Korb für mehr Platz. 39 - 1

Die maximale Tragfähigkeit jedes Aufbewahrungsfachs A auf beiden Seiten des Korbs beträgt 0,45 kg.

Beladen Sie den Korb und das Aufbewahrungsfach B zur Vermeidung von Gefahren und Instabilität nicht mit mehr als 4,5 kg.

Kinderwagen zusammenklappen

siehe Abbildungen 40 - 43

! Fahren Sie zunächst das Verdeck ein, bevor Sie den Kinderwagen zusammenklappen.

Drücken Sie Zusammenklappknöpfe und ziehen diese nach oben 40 führen Sie dann den Schiebegriff nach unten 41. Der Faltverschlussriegel rastet automatisch ein. 42

- ! Wenn sich der Sitz in der unteren Position befindet, kann er beim Zusammenklappen des Kinderwagens herabgleiten, damit der Einklappriegel automatisch einrastet.
- ! Bitte klappen Sie den Rahmen nicht zusammen, wenn der Sitz nach hinten gewandt ist. 43
- ! Bitte klappen Sie den Rahmen nicht zusammen, wenn die Vorderradlenksperre aktiviert ist.
- ! Der Kinderwagen mit Sitz in Fahrtrichtung kann aufrecht stehen, wenn sich der Griff in der höchsten Position befindet.

Zubehör verwenden

Zubehör wird möglicherweise separat verkauft oder ist je nach Region nicht verfügbar.

Regenverdeck verwenden

siehe Abbildungen 44

- Bringen Sie das Regenverdeck an, indem Sie es über dem Sitz platzieren.
- ! Achten Sie bei Verwendung des Regenverdecks stets auf Belüftung.
 - ! Wird das Regenverdeck nicht mehr verwendet, achten Sie vor dem Zusammenfalten bitte darauf, dass er sauber und trocken ist.
 - ! Klappen Sie den Kinderwagen nicht zusammen, nachdem das Regenverdeck angebracht wurde.
 - ! Setzen Sie Ihr Kind bei heißem Wetter nicht in den Kinderwagen, wenn das Regenverdeck angebracht ist.

Mit Babyschale verwenden

siehe Abbildungen 45 - 49

Beachten Sie bei Verwendung mit der Joie-Babyschale i-Gemm 2, i-Snug und i-Level die folgenden Anweisungen.

- ! Ein Klickgeräusch zeigt an, dass der Adapter vollständig eingerastet ist.
- ! Der Winkel der Babyschale kann mit den verstellbaren Adaptern angepasst werden. 47
- ! Der Adapter hat 3 Positionen. Bitte verwenden Sie das Produkt nicht so, dass der Kopf des Babys in der aufgesteckten Babyschale niedriger als seine Füße liegt.
- ! Falls Probleme bei der Verwendung der Babyschale auftreten, beachten Sie bitte die zugehörige Bedienungsanleitung.
- ! Bitte klappen Sie den Kinderwagen nicht zusammen, wenn die Babyschale weiterhin angebracht ist.

Mit Joie-Babywanne verwenden

siehe Abbildungen 50 - 53

Beachten Sie bei Verwendung mit der Joie-Babywanne ramble, ramble xl die folgenden Anweisungen.

- ! Falls Probleme bei der Verwendung der Babywanne auftreten, beachten Sie bitte die zugehörige Bedienungsanleitung.
- ! Bitte verwenden Sie das Produkt nicht so, dass der Kopf des Babys bei angebrachter Babywanne niedriger als seine Füße liegt.
- ! Verwenden Sie die Babywanne niemals ohne Matratze.
- ! Bitte klappen Sie den Kinderwagen nicht zusammen, wenn die Babywanne angebracht ist.

Sitzaufgabe verwenden

siehe Abbildungen 54 - 55

Textilteile anbringen und entfernen

siehe Abbildungen 56 - 64

1. Entfernen Sie den Spielbügel, siehe 12
 2. Öffnen Sie den Gurtverschluss an der Unterseite des Sitzes. 56
- Befolgen Sie die obigen Schritte zum Wiederanbringen der Textilteile des Sitzes in umgekehrter Reihenfolge 64 - 56

Reinigung und Wartung

siehe Abbildungen 65

- ! Reinigen Sie das Kinderwagengestell nur mit handelsüblicher Seife und warmem Wasser. Nicht bleichen oder mit Reinigungsmitteln behandeln. Bitte beachten Sie zur Reinigung der Textilteile des Kinderwagens die Anweisungen am Pflegeetikett.
- ! Abnehmbare Textilteile können in der Maschine gewaschen werden. Nicht bleichen. Bitte wringen Sie Sitzbezug und Innenpolster nicht kräftig aus. Andernfalls könnten im Sitzbezug und am Innenpolster Falten zurückbleiben.
- ! Untersuchen Sie Ihren Kinderwagen gelegentlich auf lockere Schrauben, abgenutzte Teile, verschlissene Materialien oder aufgerissene Nähte. Ersetzen oder reparieren Sie die Teile bei Bedarf. Wischen Sie die Kunststoffteile regelmäßig mit einem weichen, angefeuchteten Tuch ab. Trocknen Sie die Metallteile bei Kontakt mit Wasser immer ab, damit sich kein Rost bildet.
- ! Bei übermäßiger Sonnenbestrahlung oder Hitzeeinwirkung können Teile verblassen oder sich verformen.
- ! Ist der Kinderwagen nass geworden, öffnen Sie das Verdeck und lassen Sie ihn komplett trocken werden, bevor Sie ihn verstauen.
- ! Bei quietschenden Rädern tragen Sie ein leichtes Öl auf (z. B. Silikonspray, Rostschutzöl oder Nähmaschinenöl). Dabei ist wichtig, dass das Öl in die Achse und die Räderpartie gelangt. 65
- ! Wenn Sie mit Ihrem Kinderwagen am Strand oder an sandigen/staubigen Orten spazieren, müssen Sie ihn hiernach komplett reinigen, um Sand und Salz aus der Mechanik und den Radverbindungen zu entfernen.

NL Welkom bij Joie™

Gefeliciteerd dat u nu lid bent van de Joie-familie! Het doet ons veel genoegen om deel te kunnen uitmaken van uw reis met uw kleintje. Bij het reizen met de Joie aeria, gebruikt u een hoogwaardige, volledig gecertificeerde wandelwagen, goedgekeurd volgens de Europese veiligheidsnormen EN 1888-2:2018. Dit product is geschikt voor kinderen tot 22kg of 4 jaar, als dat zich eerder voordoet. Lees deze handleiding zorgvuldig en volg elke stap om voor een comfortabele rit en de beste bescherming van uw kind te zorgen.

**BELANGRIJK - ZORGVULDIG LEZEN EN BEWAREN
VOOR RAADPLEGING IN DE TOEKOMST.**

Bezoek ons op joiebaby.com om handleidingen te downloaden en nog meer interessante producten van Joie te zien.

Bezoek voor informatie over de garantie onze website op joiebaby.com

Inhoud

Afbeeldingen	1-12
WAARSCHUWING	65
Montage wandelwagen	68
Open wandelwagen	68
Voorwiel monteren en demonteren	68
Achterwiel monteren en demonteren	68
Kap monteren	68
Armsteun monteren en demonteren	68

Gebruik wandelwagen	69
Rugsteun afstellen	69
Riem gebruiken	69
Schouder- en middelriemen gebruiken	70
Kuitsteun aanpassen	70
Draaien voorwielen blokkeren	71
Remmen	71
Kap gebruiken	71
Handgreep instellen	71
Hoogte zitje afstellen	71
Zitje omdraaien	72
Opbergmand gebruiken	72
Wandelwagen invouwen	72
Accessoires gebruiken	73
Zachte voorwerpen los- en vastmaken	74
Reiniging en onderhoud	76

Noodgeval

Bij een noodsituatie of een ongeluk is het heel belangrijk om uw kind direct te laten verzorgen met eerste hulp en medische behandeling.

Productinformatie

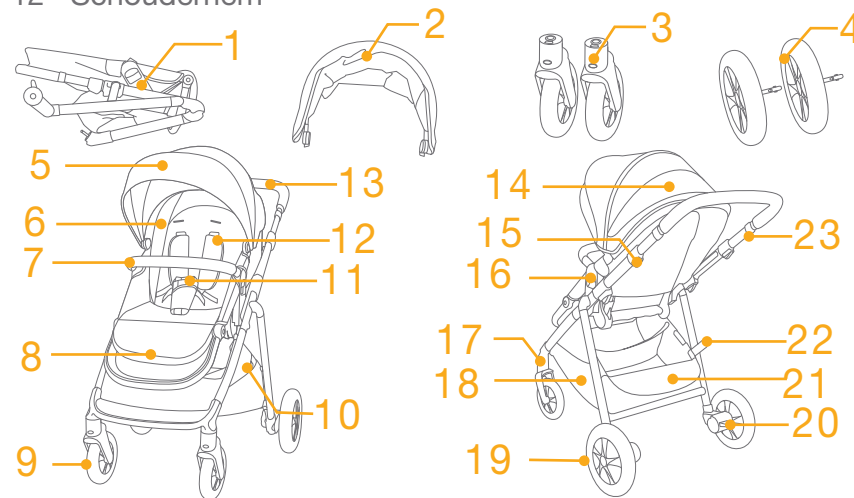
Lees alle aanwijzingen in deze handleiding voordat u het product gebruikt. Als u vragen hebt, kunt u contact opnemen met de verkoper. Sommige functies kunnen verschillen, afhankelijk van het model.

Product	Aeria-wandelwagen
Geschikt voor	kinderen tot 22kg of 4 jaar, als dat zich eerder voordoet.
Materiaal	Kunststoffen, metaal, geweven stoffen
Patent nr.	Patent aangevraagd
Gemaakt in	China
Merksnaam	Joie
Website	www.joiebaby.com
Fabrikant	Allison GmbH

Onderdelenlijst

Zorg dat alle onderdelen voor het opslaan droog zijn. Als er items ontbreken of beschadigd zijn, kunt u contact opnemen met uw leverancier. Voor de montage is geen gereedschap nodig.

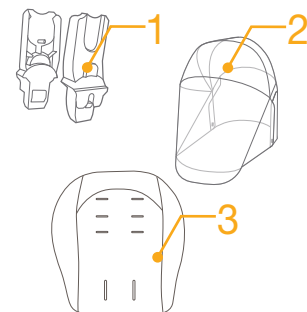
- | | | | |
|----|------------------|----|----------------------|
| 1 | Wandelwagenframe | 13 | Handgreep |
| 2 | Kap | 14 | Raampje van de kap |
| 3 | Voorwiel | 15 | Opvouwknoop |
| 4 | Achterwiel | 16 | Ontgrendelknop zijje |
| 5 | Kap | 17 | Draaislot |
| 6 | Zitkussen | 18 | Opberggas A |
| 7 | Armsteun | 19 | Achterwiel |
| 8 | Kuitsteun | 20 | Remgreep |
| 9 | Voorwiel | 21 | Opberggas B |
| 10 | Opbergmand | 22 | Opberggrendel |
| 11 | Gesp | 23 | Instelknop handgreep |
| 12 | Schouderriem | | |



Accessoires

(Mogelijk niet meegeleverd)

- 1 Adapter (op bepaalde modellen)
- 2 Regendek (op bepaalde modellen)
- 3 Inzetstuk (op bepaalde modellen)



Accessoires kunnen al dan niet apart leverbaar zijn, afhankelijk van de regio.

WAARSCHUWING

- ! WAARSCHUWING Gebruik altijd de veiligheidsriemen. Veiligheidsriemen en zitsystemen moeten op de juiste wijze worden gebruikt.
- ! WAARSCHUWING Controleer voor het gebruik of alle sluitingen goed vastzitten.
- ! WAARSCHUWING Laat uw kind niet met dit product spelen.
- ! WAARSCHUWING Controleer voor het gebruik of de bevestigingsmiddelen van het zitje of autozitje goed zijn vastgezet.
- ! Montage door volwassene vereist.
- ! Dit product is geschikt voor kinderen tot 22kg of 4 jaar, als dat zich eerder voordoet.
- ! Om een gevaarlijke en instabiele conditie te vermijden, moet u niet meer dan 4,5 kg in de opbergmand plaatsen.
- ! Laat uw kind nooit zonder toezicht achter. Let altijd op uw kind als het in de wandelwagen zit.
- ! Gebruik de wandelwagen met slechts één kind tegelijk. Leg nooit handtassen, boodschappentassen, pakjes of onderdelen van toebehoren op de greep of de kap.
- ! Gebruik geen toebehoren die niet door de fabrikant zijn goedgekeurd. Gebruik uitsluitend vervangende onderdelen die zijn geleverd of aanbevolen door de fabrikant.
- ! Overbelasting, onjuist opvouwen, of het gebruik van onderdelen van andere fabrikanten kan schade of een onveilige situatie voor de wandelwagen opleveren Lees altijd eerst zorgvuldig de handleiding.
- ! Lees alle aanwijzingen in deze handleiding voordat u het product gebruikt. Bewaar de handleiding voor later gebruik. Niet-naleving van de waarschuwingen en de instructies kan ernstig letsel of de dood veroorzaken.
- ! Om ernstig letsel te vermijden door vallen of uit de wagen glijden, moet u altijd de riemen gebruiken.
- ! Zorg er voor dat het lichaam van uw kind geen bewegende onderdelen raakt bij het aanpassen van de wandelwagen.

- ! Zorg ervoor dat de wandelwagen volledig geopend of dichtgevouwen is voordat u uw kind in de buurt laat komen.
- ! Het kind kan in de beenopeningen glijden en gewurgd worden als het harnas niet wordt gebruikt.
- ! Gebruik de wandelwagen nooit op trappen of roltrappen.
- ! Uit de buurt houden van voorwerpen, vloeistoffen en elektronica met een hoge temperatuur.
- ! Laat uw kind nooit in de wandelwagen staan of met het hoofd naar de voorkant van de wandelwagen zitten.
- ! Plaats de wandelwagen nooit op wegen, hellingen of gevaarlijke gebieden.
- ! Om verstikking te voorkomen, moet u GEEN voorwerpen met een koord rond de hals van uw kind hangen, de koorden van dit product laten hangen of koorden aan speelgoed bevestigen.
- ! Elke last bevestigd aan de greep of op de achterkant van de rugsteun of de zijkanten van de wandelwagen beïnvloeden de stabiliteit van de wandelwagen.
- ! Til de wandelwagen NIET op als daar een kind in zit.
- ! Gebruik de opbergmand NIET om een kind in te plaatsen.
- ! Om omvallen te voorkomen, moet u het kind nooit in de wandelwagen laten klimmen. Til het kind altijd in en uit de wandelwagen.
- ! Om afgeklemd vingers te voorkomen, moet u opletten bij het in- en uitvouwen van de wandelwagen.
- ! Om letsel te voorkomen, moet u het kind uit de buurt houden tijdens het open- of samenvouwen van dit product.
- ! Om voor de veiligheid van uw kind te zorgen, moet u ervoor zorgen dat alle onderdelen goed zijn gemonteerd en vastgezet voordat u de wandelwagen gebruikt.
- ! Om verstikking te voorkomen, moet u er voor zorgen dat uw kind niet door de kap wordt bedekt.
- ! Gebruik altijd de remmen bij het parkeren van de wandelwagen.

- ! Gebruik de wandelwagen niet meer als deze is beschadigd of kapot is.
- ! De wandelwagen mag alleen met een loopsnelheid gebruikt worden. Dit product is niet bedoeld voor gebruik tijdens het joggen.
- ! Om verstikking te voorkomen, moet u de plastic zak en verpakkingsmaterialen verwijderen voordat u de stoel gebruikt. Houd de plastic zak en verpakkingsmaterialen buiten bereik van baby's en kinderen.
- ! Dit product is niet geschikt om mee te rennen of rolschaatsen.
- ! Wandelwagen ontworpen voor gebruik vanaf de geboorte, gebruik de meest vlakke stand voor pasgeboren baby's.
- ! Bij het plaatsen en verwijderen van het kind moet de parkeerrem geactiveerd zijn.
- ! Voor kinderstoeltjes die gebruikt worden in combinatie met een chassis, vervangt deze kinderwagen geen draagwieg of bed. Als uw kind moet slapen, moet u het in een geschikte kinderwagen, wieg of bed leggen.
- ! De draagwieg moet niet worden gebruikt wanneer het kind zelf kan zitten, om kan rollen en zichzelf op kan drukken op handen en knieën. Maximumgewicht van het kind: 9 kg.
- ! GEEN ander matras gebruiken dan is meegeleverd met de draagwieg.
- ! Bevestig geen items aan de handgreep, rugleuning of zijkanten van de wandelwagen. Elke extra belasting is van invloed op de stabiliteit van de wandelwagen en zou kunnen leiden tot het omkantelen van de wandelwagen.
- ! Er mag geen aanvullende matras worden toegevoegd tenzij dit wordt aanbevolen door de fabrikant.
- ! Vouw het frame niet op als het zitje naar achteren is gericht.

Montage wandelwagen

(Raadpleeg de afbeeldingen op pagina 1-12)

Lees alle aanwijzingen in deze handleiding voordat u het product opzet en gebruikt.

Open wandelwagen

zie afbeeldingen ① - ③

Maak de opberggrendel los van de opbergbeugel ①, en til de hendel omhoog ②, als u een klik hoort, betekent dit dat de wandelwagen volledig geopend is.

! Druk de voetsteun omlaag en reset het. ③ - 1

! Bevestig de knop onder de kuitsteun. ③ - 2

! Controleer of de wagen goed vergrendeld is voordat u hem gebruikt.

Voorwiel monteren en demonteren

zie afbeeldingen ④ - ⑤

Achterwiel monteren en demonteren

zie afbeeldingen ⑥ - ⑧

Kap monteren

zie afbeeldingen ⑨ - ⑩

Armsteun monteren en demonteren

zie afbeeldingen ⑪ - ⑫

De volledig gemonteerde wandelwagen is afgebeeld als ⑬

Gebruik wandelwagen

Rugsteun afstellen

zie afbeeldingen 14 - 15

De rugsteun heeft 5 hoeken.

Rugsteun naar achteren brengen

Knijp om de rugleuning naar achteren te brengen de greep op de achterkant van de zitting in en trek de rugleuning omlaag.

14

De rugsteun omhoog brengen

Druk de rugsteun omhoog om hem rechtop te zetten. 15

! Controleer of de helling goed is ingesteld.

! De maximale belasting van de opbergzak op de achterkant van de rugleuning is 0,45kg.

Riem gebruiken

zie afbeeldingen 16 - 17

Maak de gesp los

Druk op de knop en de gesp wordt automatisch vrijgegeven.

16

Riem vastmaken

Verbind de gesp van de middelriem met de schouderriem

17 - 1, en lijn ze uit met de middengesp; de gesp kan automatisch vergrendelen. 17 - 2 Een klikkend geluid betekent dat de riem vergrendeld is. 17 - 3

! Om ernstig letsel te voorkomen door uit de stoel vallen of glijden, moet u uw kind altijd met de riemen vastzetten.

! Zorg er voor dat uw kind goed vast zit. De ruimte tussen het kind en de schouderriemen moet ongeveer de dikte van een hand zijn.

! De schouderriemen niet kruisen. Dat veroorzaakt druk op de nek van het kind.

Schouder- en middelriemen gebruiken

zie afbeeldingen 18 - 21

! Om te voorkomen dat uw kind uit de stoel valt, moet u controleren of de schouder- en middelriemen op de juiste hoogte en lengte zitten.

18 - 1 Schouderriemanker

18 - 2 Instelling

Gebruik voor een groter kind schouderriemanker en de hoogste schouderleuven. Gebruik voor een kleiner kind schouderriemanker en de laagste schouderleuven.

! De positie van het schouderriemanker kan worden afgesteld vanaf boven de opening die wordt gesloten door bevestigingsmiddelen of onder de zak. 19 - 1

Om de positie van het schouderriemanker aan te passen, draait u het anker zodat het gelijk ligt met de kant die naar voren kijkt. Geleid deze van achter naar voor door de sleuf voor de schouderriem. 19 Steek hem vervolgens door de sleuf die het dichtste bij de schouderhoogte van het kind zit. 20

Gebruik de schuifregelaar om de lengte van de riemen in te stellen. 21 - 1

Druk op de knop 21 - 2, terwijl u de middelriem op de juiste lengte trekt. 21 - 3

Kuitsteun aanpassen

zie afbeeldingen 22 - 23

De kuitsteun heeft 2 standen.

Druk de kuitsteun omhoog om hem hoger te plaatsen. 22 Een klikkend geluid betekent dat de riem vergrendeld is.

Druk op de instelknoppen aan weerszijden van de kuitsteun om de steun omlaag te brengen 23 - 1, en draai de steun omlaag. 23 - 2

Draaien voorwielen blokkeren

zie afbeeldingen 24

Vergrendelde of ontgrendelde status voorwiel als 24.

Tip Aanbevolen wordt om de draaiblokkering op ongelijke oppervlakken te gebruiken.

Remmen

zie afbeeldingen 25 - 26

Trap de remhendel omlaag om de wielen te blokkeren. 25

Licht de remhendel op om de wielen vrij te geven. 26

Tip Zet de rem altijd vast als de wandelwagen moet stilstaan.

Kap gebruiken

zie afbeeldingen 27 - 28

U kunt de kap openen of opvouwen, trek hem naar voren of naar achteren.

De kap kan volledig worden geopend om uw kind zoveel mogelijk tegen de zon te beschermen; rits de rits 27 los en trek de kap naar voren.

De kap bevat een raampje waardoor u uw baby kunt zien. 28

Handgreep instellen

zie afbeeldingen 29

De handgreep heeft 4 standen.

Hoogte zitje afstellen

zie afbeeldingen 30 - 31

Het zitje heeft 4 standen.

Trek het zitje omhoog voor het vergroten van de hoogte van het zitje. 30

Druk op de knoppen voor hoogtafstelling van het zitje en trek omhoog, en duw vervolgens omlaag voor het verkleinen van de hoogte van het zitje. 31

Zitje omdraaien

zie afbeeldingen 32 - 38

U kunt het zitje omdraaien, zodat moeder en kind elkaar kunnen aankijken.

Knijp tijdens het optillen van het zitje de ontgrendelknoppen in. Draai het zitje in de omgekeerde richting en steek het in de stoelbeugels.

Beide zitsteunen moeten gelijk staan als getoond in 33, als de situaties getoond in 34 & 35 plaatsvinden, drukt u op de knoppen voor hoogtafstelling van het zitje en trek omhoog, en duw vervolgens omlaag voor het verkleinen van de hoogte van het zitje om ervoor te zorgen dat beide zitsteunen gelijk staan. 36

Opbergmand gebruiken

zie afbeeldingen 39

Maak de knoppen in de mand los om de ruimte in de mand te vergroten. 39 - 1

De maximale belasting van elke opbergzak A aan beide zijden van de mand is 0,45kg.

Om een gevaarlijke en instabiele conditie te vermijden, moet u niet meer dan 4,5kg in de opbergmand en opbergzak B plaatsen

Wandelwagen invouwen

zie afbeeldingen 40 - 43

! Vouw de kap op voordat u de wandelwagen opvouwt.

Druk op de opvouwknop en trek omhoog, 40 en draai de handgreep vervolgens omlaag, 41 de vouwvergrendeling kan automatisch vergrendelen. 42

- ! Als het zitje in de lagere stand staat, kan het omlaag schuiven bij het opvouwen van de wandelwagen om ervoor te zorgen dat de vouwvergrendeling automatisch vergrendelt.
- ! Vouw het frame niet op als het zitje naar achteren is gericht. **43**
- ! Vouw het frame niet op wanneer het draaislot van het voorwiel is vergrendeld.
- ! De wandelwagen met vooruit kijkend zitje kan staan wanneer de handgreep in de hoogste stand staat.

Accessoires gebruiken

Accessoires kunnen al dan niet apart leverbaar zijn, afhankelijk van de regio.

Regenkap gebruiken zie afbeeldingen **44**

Plaats de regenkap over het zitje om deze te monteren.

- ! Controleer altijd op voldoende ventilatie als u de regenkap gebruikt.
- ! Controleer of de regenkap schoon en droog is voor u ze opvouwt.
- ! Vouw de wandelwagen niet op als de regenkap gemonteerd is.
- ! Zet uw kind niet bij warm in de wandelwagen als de regenkap gemonteerd is.

Gebruiken met babyzitje zie afbeeldingen **45 - 49**

Raadpleeg de volgende instructies bij het gebruik van het Joie-babyzitje i-Gemm 2 & i-Level & i-Snug.

- ! Een klikkend geluid betekent dat de adapter vergrendeld is.
- ! De hoek van het babyzitje kan worden afgesteld met onze instelbare adapters. **47**
- ! De adapter heeft 3 standen. Gebruik het product niet wanneer het hoofd van de baby lager staat dan de voeten na bevestigd babyzitje.
- ! Als u problemen ondervindt bij het gebruik van het babyzitje, raadpleeg dan de betreffende handleidingen.
- ! Vouw de wandelwagen niet op als het babyzitje nog bevestigd is.

Gebruiken met Joie-draagwieg zie afbeeldingen **50 - 53**

Raadpleeg de volgende instructies bij het gebruik met de Joie-draagwieg ramble, ramble xl.

- ! Als u problemen ondervindt bij het gebruik van de draagwieg, raadpleeg dan de betreffende handleidingen.
- ! Gebruik het product niet wanneer het hoofd van de baby lager staat dan de voeten na bevestigde draagwieg.
- ! Gebruik altijd de matras bij gebruik van de draagwieg.
- ! Vouw de wandelwagen niet op tijdens het bevestigen van de draagwieg.

Inzetstuk gebruiken zie afbeeldingen **54 - 55**

Zachte voorwerpen los- en vastmaken

zie afbeeldingen 56 - 64

1. Verwijder de armsteun als afgebeeld 12

2. Open de gesp op de onderkant van het zitje. 56

Om de zachte goederen weer te bevestigen, gaat u in omgekeerde volgorde te werk 64 - 56

Reiniging en onderhoud

zie afbeeldingen 65

- ! Gebruik voor het schoonmaken van het frame alleen zeep en warm water. Geen bleekmiddel of schoonmaakmiddelen. Raadpleeg het verzorgingslabel voor instructies betreffende reiniging van de stoffen onderdelen van de wandelwagen.
- ! Verwijderbare zachte goederen kunnen in de machine worden gewassen. Geen bleekmiddel. De zachte voorwerpen en binnenvoering niet uitwringen om ze te drogen. Daardoor kunnen de stoelbedekking en binnenvoering kreukelen.
- ! Controleer de wandelwagen van tijd tot tijd op losse schroeven, slijtage, scheuren en beschadigde naden. Vervang of herstel de onderdelen als dat nodig is. Veeg de plastic onderdelen periodiek schoon met een zachte vochtige doek. Droog de metalen onderdelen om de vorming van roest te voorkomen als de wandelwagen in contact is geweest met water.
- ! Overmatige blootstelling aan zon of warmte kan vervagen of vervormen van onderdelen veroorzaken.
- ! Als de wandelwagen nat is geworden, moet u de kap openen en hem laten drogen voordat u hem opbergt.
- ! Als de wieltjes piepen, moet u dunne olie gebruiken (bijvoorbeeld siliconenspray, antiroest-olie of naaimachine-olie). De olie moet in de as en het wielstel komen. 65
- ! Als u de wandelwagen op het strand gebruikt, moet u hem goed schoonmaken na het gebruik om alle zand en zout van het mechanisme en de wielen te verwijderen.

IT Benvenuto in Joie™

Congratulazioni per essere entrato a far parte della famiglia Joie! Siamo lieti di partecipare al viaggio assieme al tuo bambino. Con Joie aerea siete sicuri di utilizzare un passeggino di alta qualità, totalmente certificato, approvato in base alle normative di sicurezza europee EN 1888-2:2018. Questo prodotto è adatto a bambini fino a 22 kg o 4 anni, a seconda della condizione che si verifichi per prima. Leggere attentamente questo manuale e attenersi a ogni procedura per garantire un viaggio comodo e la migliore protezione per il bambino.

**IMPORTANTE - LEGGERE ATTENTAMENTE E
CONSERVARE PER RIFERIMENTO
FUTURO.**

Visitate il nostro sito joiebaby.com per scaricare i manuali e conoscere altri eccezionali prodotti Joie!

Per informazioni più dettagliate, si prega di visitare il nostro sito web all'indirizzo joiebaby.com

Indice

Figure	1-12
AVVERTENZA	81
Montaggio del passeggino	84
Apertura del passeggino	84
Montaggio e rimozione della ruota anteriore	84
Montaggio e rimozione della ruota posteriore	84
Montaggio della capottina	84
Montaggio e rimozione del bracciolo	84

Funzionamento del passeggino	85
Regolazione dello schienale	85
Uso della fibbia	85
Uso delle cinture per le spalle e inguinali	86
Regolazione del supporto per le gambe	86
Uso del meccanismo di blocco delle ruote anteriori piroettanti	87
Uso dei freni	87
Uso della capottina	87
Regolazione del maniglione di spinta	87
Regolazione dell'altezza della seduta	87
Inversione dell'orientamento della seduta	88
Uso del cestello portaoggetti	88
Chiusura del passeggino	88
Uso degli accessori	89

Rimozione e montaggio del rivestimento imbottito	90
---	-----------

Pulizia e manutenzione	92
-------------------------------	-----------

Emergenza

In caso di emergenza o incidenti, è estremamente importante portare il bambino al pronto soccorso per cure mediche immediate.

Informazioni sul prodotto

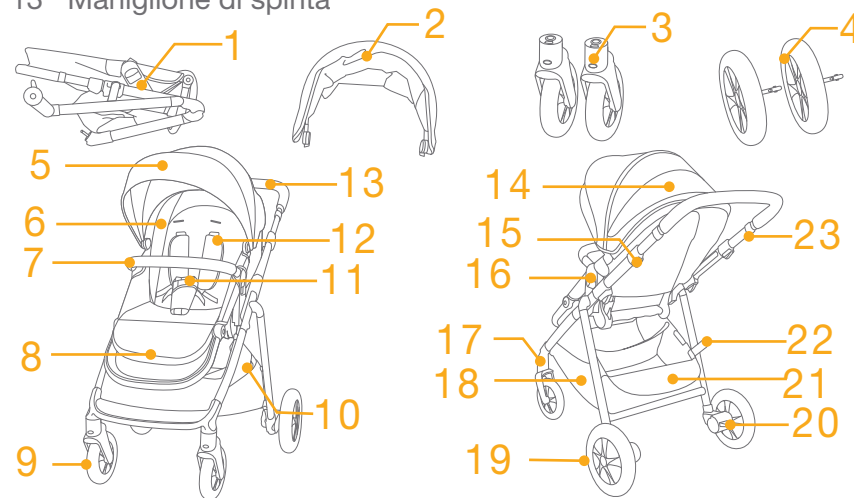
Leggere tutte le istruzioni del presente manuale prima di usare il prodotto. In caso di ulteriori domande, rivolgersi al rivenditore. Alcune funzioni potrebbero variare in base al modello.

Prodotto	Passeggino Aeria
Adatto a	bambini fino a 22 kg o 4 anni, a seconda della condizione che si verifichi per prima.
Materiali	Plastica, metallo, tessuto
N. brevetto	In attesa di brevetto
Prodotto in	Cina
Marca	Joie
Sito web	www.joiebaby.com
Produttore	Allison GmbH

Elenco parti

Assicurarsi che tutti i pezzi siano disponibili prima dell'assemblaggio. Se manca qualche pezzo, contattare il rivenditore locale. Per l'assemblaggio non è necessario nessun attrezzo.

- | | |
|--------------------------|---|
| 1 Telaio passeggino | 14 Finestrella della capottina |
| 2 Capottina | 15 Tasto di chiusura |
| 3 Ruota anteriore | 16 Pulsante di rilascio seduta |
| 4 Ruota posteriore | 17 Blocco ruote piroettanti |
| 5 Capottina | 18 Vano portaoggetti A |
| 6 Imbottitura | 19 Ruota posteriore |
| 7 Bracciolo | 20 Leva del freno |
| 8 Supporto per le gambe | 21 Vano portaoggetti B |
| 9 Ruota anteriore | 22 Fermo di chiusura |
| 10 Cestello portaoggetti | 23 Pulsante di regolazione del maniglione di spinta |
| 11 Fibbia | |
| 12 Cintura per le spalle | |
| 13 Maniglione di spinta | |

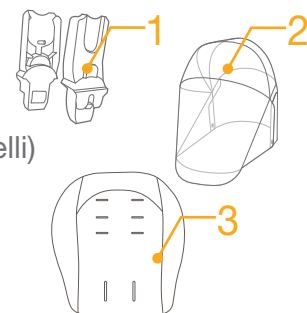


Accessori

(potrebbero non essere inclusi)

- | | |
|----------------------------------|--|
| 1 Adattatore (su alcuni modelli) | 2 Copertura anti pioggia (su alcuni modelli) |
| 3 Inserto (su alcuni modelli) | |

Gli accessori potrebbero essere venduti separatamente o non essere disponibili a seconda della regione.



AVVERTENZA

- ! AVVERTENZA Utilizzare sempre il sistema di sicurezza. Utilizzare correttamente le cinture di sicurezza e i sistemi di ritenuta.
- ! AVVERTENZA Prima dell'uso, assicurarsi che tutti i dispositivi di blocco siano inseriti.
- ! AVVERTENZA Evitare che i bambini giochino con questo prodotto.
- ! AVVERTENZA Controllare che la carrozzina, la seduta o i dispositivi di blocco del seggiolino per auto siano correttamente inseriti prima dell'uso.
- ! Il prodotto deve essere montato solo da adulti.
- ! Questo prodotto è adatta a bambini fino a 22 kg o 4 anni, a seconda della condizione che si verifichi per prima.
- ! Per evitare una condizione di instabilità pericolosa non introdurre oltre 4,5 kg nel cestello portaoggetti.
- ! Non lasciare mai il bambino incustodito. Sorvegliare sempre il bambino mentre si trova nel passeggino.
- ! Usare il passeggino con un solo bambino per volta. Non collocare borse, sacchetti, pacchi o elementi accessori sul maniglione di spinta o sulla capottina.
- ! Gli accessori non approvati dal produttore non devono essere usati. Utilizzare solo le parti di ricambio fornite o consigliate dal produttore.
- ! Se il passeggino viene sovraccaricato, chiuso in modo non corretto o usato insieme a componenti di altri produttori, si potrebbe danneggiare, rompere o diventare pericoloso. Leggere attentamente il manuale di istruzioni.
- ! Leggere tutte le istruzioni del manuale prima di usare il prodotto. Conservare questo manuale per riferimenti futuri. La mancata osservanza delle seguenti avvertenze e istruzioni potrebbe causare lesioni gravi o decesso.
- ! Per evitare gravi lesioni a seguito di caduta o scivolamento, usare sempre le cinture.

- ! Assicurarsi che il corpo del bambino sia lontano dalle parti in movimento quando si regola il passeggino.
- ! Assicurarsi che il passeggino sia completamente aperto o chiuso prima che il bambino si avvicini ad esso.
- ! Il bambino potrebbe scivolare nelle aperture delle gambe ed essere strangolato se non si utilizzano le cinture.
- ! Non utilizzare mai il passeggino su scale o scale mobili.
- ! Tenere lontano oggetti caldi, liquidi e dispositivi elettronici.
- ! Evitare che il bambino si metta in piedi sul passeggino o si sieda nel passeggino con la testa rivolta verso la parte anteriore del passeggino.
- ! Non posizionare il passeggino su strade, pendii o aree pericolose.
- ! Per evitare il pericolo di strangolamento, non avvolgere oggetti con cavi intorno al collo del bambino, NON sospendere cavi dal prodotto e non legare cavi sui giochi.
- ! Qualsiasi carico sul maniglione di spinta, sul retro dello schienale e/o sui lati del passeggino influisce sulla stabilità del passeggino stesso.
- ! NON sollevare il passeggino con il bambino all'interno.
- ! NON utilizzare il cestello portaoggetti per il trasporto del bambino.
- ! Per evitare che si rovesci, evitare che il bambino si arrampichi sul passeggino. Sollevare sempre il bambino dentro e fuori dal passeggino.
- ! Per evitare di intrappolarsi le dita, fare attenzione quando si piega e chiude il passeggino.
- ! Per evitare lesioni, assicurarsi che il bambino venga allontanato quando si chiude o si apre il prodotto.
- ! Per garantire la sicurezza del bambino, assicurarsi che tutte le parti siano assemblate e fissate correttamente prima di usare il passeggino.
- ! Per evitare lo strangolamento assicurarsi che il bambino sia lontano dalla capottina e dalla copertura antipioggia.
- ! Inserire sempre i freni quando si parcheggia il passeggino.

- ! Cessare di utilizzare il passeggino, se danneggiato o rotto.
- ! Il passeggino deve essere utilizzato esclusivamente per passeggiare. Questo prodotto non deve essere utilizzato quando si pratica jogging.
- ! Per evitare il soffocamento, rimuovere il sacchetto di plastica e i materiali di imballaggio prima di usare questo prodotto. Il sacchetto di plastica e i materiali di imballaggio devono quindi essere tenuti lontano dalla portata dei bambini.
- ! Questo prodotto non è adatto per correre o pattinare.
- ! Per i passeggini concepiti per i neonati, si consiglia di utilizzare la posizione più inclinata.
- ! Inserire sempre i freni quando si mette o toglie il bambino.
- ! Per il sistema di ritenuta per bambini usato in combinazione con una struttura, questo passeggino non sostituisce una culla o un lettino. Se il bambino ha necessità di dormire deve essere messo nella sua culla o nel lettino.
- ! Cessare di usare la carrozzina non appena il bambino è in grado di stare seduto da solo, rovesciarsi, rialzarsi con le mani e mettersi in ginocchio. Peso massimo del bambino: 9 kg.
- ! NON utilizzare o aggiungere materassini diversi da quello fornito con la carrozzina.
- ! Non attaccare oggetti al maniglione di spinta, allo schienale o ai lati del passeggino. Qualsiasi ulteriore carico influisce sulla stabilità del passeggino e potrebbe causare il ribaltamento del passeggino.
- ! Nessun altro materasso deve essere aggiunto a meno che non sia consigliato dal produttore.
- ! Non chiudere il telaio quando la seduta è rivolta all'indietro.

Montaggio del passeggino

(Fare riferimento alle figure a pagina 1-12)

Leggere tutte le istruzioni del presente manuale prima di montare e usare il prodotto.

Apertura del passeggino

vedere le figure ① - ③

Separare il fermo di chiusura dal supporto fermo di chiusura ①, quindi sollevare la maniglia verso l'alto ②. Quando si sente un clic, significa che il passeggino è completamente aperto.

! Premere il supporto per i piedi verso il basso e ripristinarlo. ③ - 1

! Fissare il pulsante sotto il supporto per le gambe. ③ - 2

! Verificare che il passeggino sia completamente bloccato prima di continuare ad utilizzarlo.

Montaggio e rimozione della ruota anteriore

vedere le figure ④ - ⑤

Montaggio e rimozione della ruota posteriore

vedere le figure ⑥ - ⑧

Montaggio della capottina

vedere le figure ⑨ - ⑩

Montaggio e rimozione del bracciolo

vedere le figure ⑪ - ⑫

Il passeggino completamente assemblato è mostrato in ⑬

Funzionamento del passeggino

Regolazione dello schienale

vedere le figure 14 - 15

Vi sono 5 angoli di inclinazione per lo schienale.

Reclinare lo schienale

Per reclinare lo schienale, premere la maniglia di inclinazione sul retro del sedile e tirare verso il basso lo schienale. 14

Solleverare lo schienale

Per sollevare lo schienale, spingere verso l'alto. 15

! Assicurarsi che la inclinazione sia regolata correttamente per l'uso.

! Il carico massimo della tasca portaoggetti sul retro dello schienale è di 0,45 kg.

Uso della fibbia

vedere le figure 16 - 17

Rilascio della fibbia

Premendo il pulsante, la fibbia viene rilasciata automaticamente. 16

Chiusura della fibbia

Far combaciare la fibbia della cintura addominale con quella delle spalle 17 - 1 e allinearle con la fibbia centrale. La fibbia si può bloccare automaticamente. 17 - 2 Quando si sente il "clic" significa che la fibbia è bloccata. 17 - 3

! Per evitare gravi lesioni a seguito di caduta o scivolamento, allacciare il bambino con le cinture.

! Assicurarsi che il bambino sia perfettamente allacciato. Lo spazio tra il bambino e la cintura per le spalle deve essere di circa lo spessore di una mano.

! Non incrociare le cinture per le spalle. Ciò provocherà pressione sul collo del bambino.

Uso delle cinture per le spalle e inguinali

vedere le figure 18 - 21

! Per proteggere il bambino dalla caduta, dopo averlo posizionato nella seduta, verificare che le cinture per le spalle e inguinali siano all'altezza e della lunghezza conformi.

18 - 1 Punto di attacco della cintura per le spalle

18 - 2 Dispositivo di regolazione scorrimento

Per i bambini più grandi, utilizzare il punto di attacco della cintura per le spalle e le fessure superiori per le spalle. Per i bambini più piccoli, utilizzare il punto di attacco della cintura per le spalle e le fessure inferiori per le spalle.

! La posizione del punto di attacco della cintura per le spalle può essere regolata dall'apertura superiore chiusa da dispositivi di fissaggio o dalla tasca inferiore. 19 - 1

Per regolare la posizione del punto di attacco della cintura per le spalle, girare il punto di attacco in modo che sia in piano con il lato rivolto in avanti. Infilarlo nella fessura della cintura per le spalle dalla parte posteriore a quella anteriore. 19
Infilarlo di nuovo nella fessura più vicina all'altezza delle spalle del bambino. 20

Utilizzare il dispositivo di regolazione scorrimento per modificare la lunghezza delle cinture. 21 - 1

Premere il pulsante 21 - 2 mentre si tira la cintura inguinale alla lunghezza adeguata. 21 - 3

Regolazione del supporto per le gambe

vedere le figure 22 - 23

Il supporto per le gambe ha 2 posizioni.

Per sollevarlo, spingerlo verso l'alto. 22 Quando si sente il "clic" significa che il supporto per la gamba è completamente bloccato.

Per abbassarlo, premere i pulsanti di regolazione su entrambi i lati del supporto per la gamba 23 - 1 e ruotarlo verso il basso. 23 - 2

Uso del meccanismo di blocco delle ruote anteriori piroettanti

vedere le figure 24

Ruota anteriore in stato di blocco o sblocco come mostrato in 24.

Suggerimento Raccomandiamo di utilizzare il blocco orientabile sulle superfici irregolari.

Uso dei freni

vedere le figure 25 - 26

Per bloccare le ruote, portare la leva del freno verso il basso. 25

Per rilasciare le ruote, basta sollevare verso l'alto la leva del freno. 26

Suggerimento Applicare sempre il freno di stazionamento quando il passeggino non è in movimento.

Uso della capottina

vedere le figure 27 - 28

La capottina può essere aperta o piegata, tirata in avanti o all'indietro.

La capottina può essere aperta completamente per proteggere il bambino dal sole. Basta aprire la cerniera 27 e tirare il tettuccio in avanti.

Sulla capottina è presente una finestrella, attraverso la quale si può osservare il bambino. 28

Regolazione del maniglione di spinta

vedere le figure 29

Il maniglione di spinta ha 4 posizioni.

Regolazione dell'altezza della seduta

vedere le figure 30 - 31

La seduta ha 4 posizioni.

Sollevare il sedile per aumentare l'altezza. 30

Premere i pulsanti di regolazione dell'altezza della seduta e tirare verso l'alto, quindi spingere verso il basso per diminuire l'altezza. 31

Inversione dell'orientamento della seduta

vedere le figure 32 - 33

La seduta è reversibile, il che fa sì che madre e bambino possano trovarsi faccia a faccia.

Premere i pulsanti di rilascio della seduta mentre si solleva la seduta. Girare il sedile in direzione opposta, quindi inserirlo negli appositi sostegni.

Entrambi i sostegni della seduta devono essere allineati come mostrato in 33 in quanto, se le situazioni mostrate come 34 & 35 si verificano, premere i pulsanti di regolazione dell'altezza della seduta e tirare verso l'alto, quindi spingere verso il basso per diminuire l'altezza della seduta per assicurarsi che i sostegni del sedile siano allineati. 36

Uso del cestello portaoggetti

vedere le figure 39

Staccare i pulsanti nel cestello per aumentarne lo spazio. 39 - 1

Il carico massimo di ciascun vano portaoggetti A su entrambi i lati del cestello è di 0,45 kg.

Per evitare una condizione di instabilità pericolosa non introdurre oltre 4,5 kg nel cestello portaoggetti e nel vano B.

Chiusura del passeggino

vedere le figure 40 - 43

! Piegare la capottina prima di chiudere il passeggino.

Premere il pulsante di chiusura e sollevare, 40 quindi ruotare la maniglia verso il basso, 41 il fermo di chiusura può bloccarsi automaticamente. 42

- ! Se la seduta è nella posizione inferiore, può scorrere verso il basso mentre si chiude il passeggino per assicurarsi che il fermo di chiusura si blocchi automaticamente.
- ! Non chiudere il telaio quando la seduta è rivolta all'indietro. 43
- ! Non chiudere il telaio quando il meccanismo di blocco delle ruote anteriori piroettanti è attivo.
- ! Il passeggino con la seduta rivolta in avanti può rimanere eretto quando il maniglione di spinta è nella posizione più alta.

Uso degli accessori

Gli accessori potrebbero essere venduti separatamente o non essere disponibili a seconda della regione.

Uso della copertura antipioggia

vedere le figure 44

Per assemblare la copertura antipioggia, collocarla sopra la seduta.

- ! Quando si usa la copertura antipioggia, controllare sempre la ventilazione.
- ! Se non viene utilizzata, controllare che la copertura antipioggia sia pulita e asciutta prima di ripiegarla.
- ! Non chiudere il passeggino dopo aver montato la copertura antipioggia.
- ! Non far sedere il bambino nel passeggino con la copertura antipioggia montata quando fa caldo.

Uso con sistema di ritenuta per bambini

vedere le figure 45 - 49

Quando si utilizza il sistema di ritenuta per bambini i-Gemm 2 & i-Level & i-Snug, consultare le seguenti istruzioni.

- ! Quando si sente il "clic" significa che l'adattatore è completamente bloccato.

- ! L'angolo del sistema di ritenuta per bambini può essere regolato con gli adattatori regolabili. 47
- ! L'adattatore ha 3 posizioni. Non utilizzare il prodotto quando la testa del bambino è ad un'altezza inferiore rispetto ai piedi dopo aver fissato il sistema di ritenuta per bambini.
- ! In caso di problemi con l'uso del sistema di ritenuta per bambini, fare riferimenti ai relativi manuali di istruzioni.
- ! Non chiudere il passeggino se il sistema di ritenuta per bambini è ancora fissato.

Uso con la carrozzina Joie

vedere le figure 50 - 53

Quando si utilizza con la carrozzina Joie ramble, ramble xl, consultare le seguenti istruzioni.

- ! In caso di problemi con l'uso della carrozzina, fare riferimento ai relativi manuali di istruzioni.
- ! Non utilizzare il prodotto quando la testa del bambino è ad un'altezza inferiore rispetto ai piedi dopo aver fissato la carrozzina.
- ! Quando si usa la carrozzina, usare sempre anche il materassino.
- ! Non chiudere il passeggino quando è fissata la carrozzina.

Uso dell'inserto

vedere le figure 54 - 55

Rimozione e montaggio del rivestimento imbottito

vedere le figure 56 - 64

1. Rimuovere il bracciolo mostrato come 12
2. Aprire la fibbia sulla parte inferiore della seduta. 56

Per rimontare il rivestimento imbottito della seduta, invertire le procedure di cui sopra 64 - 56

Pulizia e manutenzione

vedere le figure 65

- ! Per pulire la struttura del passeggino, utilizzare solo una soluzione di sapone e acqua calda. Non usare candeggina o detergente. Fare riferimento all'etichetta con le istruzioni di lavaggio per pulire il tessuto del passeggino.
- ! Il rivestimento imbottito rimovibile può essere lavato in lavatrice. Non usare candeggina. Non attorcigliare la fodera e l'imbottitura interna per asciugare con grande forza. Si potrebbero lasciare grinze sulla fodera e l'imbottitura interna.
- ! Controllare periodicamente la presenza di viti allentate, componenti usurati, materiali strappati o scuciti nel passeggino. Se necessario, sostituire o riparare i componenti. Pulire periodicamente le parti in plastica con un panno umido. Asciugare sempre le parti di metallo per evitare la formazione di ruggine se il passeggino entra in contatto con l'acqua.
- ! Un'eccessiva esposizione alla luce del sole potrebbe causare lo sbiadimento o la deformazione dei componenti.
- ! Se il passeggino si bagna, aprire la capottina e lasciarlo asciugare completamente prima di riporlo.
- ! Se le ruote cigolano, utilizzare un olio leggero (ad esempio, spray al silicone, olio antiruggine o olio per macchine da cucire). È importante oliare assieme asse e ruota. 65
- ! Quando si utilizza il passeggino in spiaggia o altri ambienti sabbiosi/polverosi, pulirlo completamente dopo l'uso per rimuovere sabbia e sale dai meccanismi e dalle ruote.

ES Bienvenido a Joie™

¡Enhorabuena por unirse a la familia Joie! Estamos encantados de formar parte de su viaje y del de su pequeño. Mientras viaja con Joie aerea, está utilizando un cochecito de alta calidad, totalmente certificado, aprobado conforme a las normas de seguridad europeas EN 1888-2:2018. Este producto es adecuado para niños de hasta 22 kg o 4 años, lo que ocurra primero. Lea detenidamente este manual y siga cada paso para garantizar que su bebé viaje cómodamente y esté protegido de la mejor manera posible.

IMPORTANTE: LEER DETENIDAMENTE Y CONSERVAR PARA FUTURAS CONSULTAS.

¡Visítenos en joiebaby.com para descargar los manuales y descubrir otros fantásticos productos de Joie!

Para obtener información sobre la garantía, visite nuestro sitio web en joiebaby.com.

Contenido

Figuras	1-12
ADVERTENCIAS	97
Montaje del cochecito	100
Abrir el cochecito	100
Montaje y desmontaje de la rueda delantera	100
Montaje y desmontaje de la rueda trasera	100
Montaje de la capota	100
Montaje y desmontaje del reposabrazos	100

Funcionamiento del cochecito	101
Ajuste del respaldo	101
Uso de la hebilla	101
Uso de los arneses de los hombros y la cintura	102
Ajuste del soporte para las piernas	102
Uso del bloqueo de rotación de las ruedas delanteras	103
Uso del freno	103
Uso de la capota	103
Ajuste del manillar	103
Ajuste de la altura del asiento	103
Cambio del asiento	104
Uso de la cesta de almacenaje	104
Plegado del cochecito	104
Uso de los accesorios	105
Desmontaje y montaje de la tapicería	106
Limpieza y mantenimiento	108

Emergencia

En caso de emergencia o accidente, es muy importante que su bebé reciba primeros auxilios y tratamiento médico de inmediato.

Información del producto

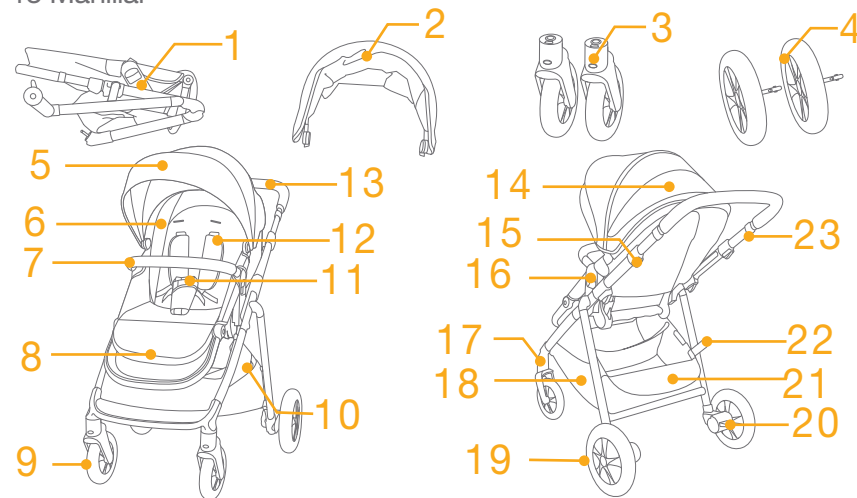
Lea todas las instrucciones incluidas en este manual antes de utilizar este producto. Si tiene alguna duda, póngase en contacto con el detallista. Algunas características pueden variar según el modelo.

Producto:	Cohecito Aeria
Adecuado para	niños de hasta 22 kg o 4 años, lo que ocurra primero.
Materiales:	Plásticos, metal, telas
N.º de patente:	Pendiente de patentes
Fabricado en	China
Nombre de la marca:	Joie
Sitio web:	www.joiebaby.com
Fabricante:	Allison GmbH

Lista de piezas

Asegúrese de que todas las piezas estén disponibles antes de montar el producto. Si falta alguna pieza, póngase en contacto con su detallista. No se necesita ninguna herramienta para el montaje.

- | | |
|-------------------------|------------------------------------|
| 1 Chasis | 14 Ventana de la capota |
| 2 Capota | 15 Botón de plegado |
| 3 Rueda delantera | 16 Botón de desbloqueo del asiento |
| 4 Rueda trasera | 17 Bloqueo de giro de las ruedas |
| 5 Capota | 18 Bolsa de almacenaje A |
| 6 Tapicería | 19 Rueda trasera |
| 7 Reposabrazos | 20 Palanca del freno |
| 8 Reposapiernas | 21 Bolsa de almacenaje B |
| 9 Rueda delantera | 22 Seguro de cierre |
| 10 Cesta portaobjetos | 23 Botón de ajuste del manillar |
| 11 Hebilla del arnés | |
| 12 Arnés de los hombros | |
| 13 Manillar | |

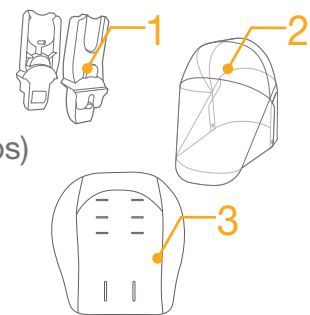


Accesorios

(es posible que no estén incluidos)

- | | |
|----------------------------------|--|
| 1 Adaptador (en algunos modelos) | 2 Burbuja de lluvia (en algunos modelos) |
| 3 Accesorio (en algunos modelos) | |

Los accesorios pueden venderse por separado o no estar disponibles dependiendo del país.



ADVERTENCIA

- ! ADVERTENCIA Utilice siempre el sistema de sujeción. Los arneses y los sistemas de sujeción se deben utilizar correctamente.
- ! ADVERTENCIA Asegúrese de que todos los dispositivos de bloqueo están fijados correctamente antes de utilizar el producto.
- ! ADVERTENCIA No deje que su hijo juegue con este producto.
- ! ADVERTENCIA Asegúrese de que el capazo, el asiento o la silla de coche estén bien sujetos antes de utilizar el producto.
- ! El montaje solo podrá ser realizado por personas adultas.
- ! Este producto es adecuado para niños de hasta 22 kg 4 años, lo que ocurra primero.
- ! Para evitar riesgos y la inestabilidad del producto, no coloque más de 4,5 kg en la cesta de almacenamiento.
- ! Nunca deje al bebé desatendido. Vigílelo en todo momento mientras permanezca en el cochecito.
- ! No utilice el cochecito para transportar a más de un niño a la vez. Nunca coloque bolsos, bolsas de la compra, paquetes ni ningún otro objeto en el manillar ni en la capota.
- ! No utilice accesorios que no estén aprobados por el fabricante. Utilice únicamente las piezas de recambio proporcionadas o recomendadas por el fabricante.
- ! Si lo sobrecarga, lo pliega incorrectamente o usa piezas de otros fabricantes, el cochecito podría sufrir daños, romperse o dejar de ser seguro. Lea el manual de instrucciones detenidamente.
- ! Lea todas las instrucciones incluidas en el manual antes de utilizar el producto. Guarde este manual de instrucciones para futuras consultas. Si no sigue estas advertencias e instrucciones, podrían producirse lesiones graves o, incluso, la muerte.
- ! Para evitar que el niño pueda caer o resbalarse del cochecito y lesionarse gravemente, manténgalo sujeto con el arnés en todo momento.
- ! Asegúrese de mantener a los niños alejados de las partes

móviles cuando realice ajustes en el cochecito.

- ! Asegúrese de que el cochecito está totalmente abierto o plegado antes de permitir que el niño se acerque a él.
- ! El niño podría resbalarse por las aberturas para las piernas y estrangularse si no está sujeto con el arnés.
- ! Nunca utilice el cochecito en escaleras convencionales o mecánicas.
- ! Manténgalo alejado de objetos, líquidos y aparatos electrónicos a altas temperaturas.
- ! Nunca deje que su hijo se ponga de pie sobre el cochecito ni se siente en él con la cabeza orientada hacia la parte frontal del cochecito.
- ! Nunca coloque el cochecito en calles, bajadas o zonas peligrosas.
- ! Para evitar el riesgo de estrangulamiento, NO coloque objetos con cordones alrededor del cuello del niño, no deje que cuelguen cordones de este producto ni ate los juguetes con cuerdas.
- ! Si cuelga algún objeto del manillar, de la parte trasera del respaldo o de los laterales del cochecito, la estabilidad de este se verá afectada.
- ! NO levante el cochecito mientras el niño esté montado en él.
- ! NO utilice la cesta de almacenamiento para transportar niños.
- ! Para evitar que pueda volcar, nunca permita que el niño trepe por el cochecito. Siempre suba y baje al niño del cochecito.
- ! Para evitar el atrapamiento de dedos, tenga cuidado cuando pliegue y despliegue el cochecito.
- ! Para evitar lesiones, asegúrese de que su hijo está alejado del producto cuando lo pliegue y lo despliegue.
- ! Para garantizar la seguridad del niño, asegúrese de que todas las piezas están montadas y bien sujetas antes de utilizar el cochecito.
- ! Para evitar el riesgo de estrangulamiento, asegúrese de que su hijo se mantiene alejado de la capota.
- ! Accione siempre los frenos cuando aparque el cochecito.
- ! Deje de utilizar el cochecito si presenta daños o roturas.

- ! El cochecito solo se debe utilizar a una velocidad de paseo. Este producto no es adecuado para utilizarlo mientras se corre.
- ! Para evitar el riesgo de asfixia, retire la bolsa de plástico y los materiales de embalaje antes de utilizar este producto. A continuación, deberá mantener la bolsa de plástico y los materiales de embalaje fuera del alcance de bebés y niños.
- ! Este producto no es adecuado para correr ni patinar.
- ! Si utiliza el asiento con un recién nacido, le recomendamos que lo coloque en la posición lo más reclinada posible.
- ! El dispositivo de estacionamiento deberá estar accionado cuando coloque y retire al niño.
- ! Si usa una silla de coche sobre el chasis, tenga en cuenta que este cochecito no sustituye a una cuna ni una cama. Si su hijo necesita dormir, deberá colocarlo sobre una cuna, una cama o un capazo adecuado.
- ! El capazo deberá dejar de utilizarse en el momento en el que el niño pueda sentarse solo, darse la vuelta y pueda incorporarse sobre las manos y las rodillas. Peso máximo del niño: 9 kg.
- ! NO use ni añada ningún colchón que no sea el suministrado con el capazo.
- ! No coloque objetos en el manillar, el respaldo o los lados del cochecito. Cualquier carga adicional afectará la estabilidad del cochecito y podría provocar su vuelco.
- ! No se añadirá ningún colchón a menos que lo recomiende el fabricante.
- ! No pliegue el chasis cuando el asiento esté orientado hacia atrás.

Montaje del cochecito

(Consulte las figuras de la página 1-12)

Lea todas las instrucciones incluidas en este manual antes de montar y utilizar este producto.

Abrir el cochecito

consulte las imágenes ① - ③

Abra el seguro de cierre ① y a continuación levante el manillar hacia arriba ②. Cuando oiga un clic significará que el cochecito está completamente abierto.

! Presione el reposapiés hacia abajo y restablézcalo. ③ - 1

! Cierre el corchete de debajo del reposapiernas. ③ - 2

! Asegúrese de que el cochecito está perfectamente montado antes de continuar utilizándolo.

Montaje y desmontaje de la rueda delantera

consulte las imágenes ④ - ⑤

Montaje y desmontaje de la rueda trasera

consulte las imágenes ⑥ - ⑧

Montaje y desmontaje de la capota

consulte las imágenes ⑨ - ⑩

Montaje y desmontaje del reposabrazos

consulte las imágenes ⑪ - ⑫

El cochecito completamente montado aparece en la imagen

⑬

Funcionamiento del cochecito

Ajuste del respaldo

consulte las imágenes 14 - 15

El respaldo puede reclinarse en 5 posiciones.

Reclinar el respaldo

Para reclinar el respaldo, presione el asa de inclinación de la parte posterior del asiento y empuje el respaldo hacia abajo.

14

Levantar el respaldo

Para subir el respaldo, levántelo. 15

! Asegúrese de que la inclinación es la adecuada para su uso.

! La carga máxima del bolsillo del respaldo es de 0,45 kg.

Uso de la hebilla del arnés

consulte las imágenes 16 - 17

Abrir la hebilla

Presione el botón; la hebilla se soltará automáticamente. 16

Cerrar la hebilla

Haga coincidir la lengüeta del cinturón con la lengüeta del tirante 17 - 1 y colóquelos en la hebilla central. La hebilla puede alinearse automáticamente. 17 - 2 Cuando oiga un clic la hebilla estará cerrada. 17 - 3

! Para evitar que el niño pueda caer o resbalarse del cochecito y lesionarse gravemente, manténgalo sujeto con el arnés en todo momento.

! Asegúrese de que su hijo quede perfectamente sujeto. El espacio entre el niño y los tirantes del arnés debe ser el grosor de una mano de lado, más o menos.

! No cruce los tirantes. Si lo hace, podría presionar el cuello del niño.

Uso de los tirantes y el cinturón del arnés

consulte las imágenes 18 - 21

! Con el fin de proteger al niño contra caídas, después de colocarlo en el asiento, compruebe si la altura y la longitud de los tirantes y el cinturón del arnés son los adecuados.

18 - 1 Anclaje de los tirantes del arnés

18 - 2 Ajuste del tensor

Para los niños más altos, utilice el anclaje superior de los tirantes del arnés y los ojales del respaldo más altos. Para los niños más pequeños, utilice el anclaje superior de los tirantes del arnés y los ojales del respaldo más bajos.

! La posición del anclaje de los tirantes se puede ajustar desde la abertura superior, que se cierra mediante corchetes, o desde debajo del bolsillo. 19 - 1

Para ajustar la posición del anclaje de los tirantes, gire el anclaje y colóquelo con el lateral hacia adelante. 19
Desenhébrelo por el ojal del respaldo de atrás hacia adelante. Vuelva a enhebrarlo por el ojal que esté más cerca de la altura de los hombros del niño. 20

Use el tensor para ajustar la longitud del arnés. 21 - 1

Presione el botón 21 - 2 y tire al mismo tiempo del cinturón hasta que la longitud sea la adecuada. 21 - 3

Ajuste del reposapiernas

consulte las imágenes 22 - 23

El reposapiernas dispone de 2 posiciones

Para elevar el reposapiernas, súbalo 22. Un clic indicará que está bloqueado en la posición.

Para bajar el reposapiernas, presione los botones de ajuste ubicados a ambos lados del mismo 23 - 1 y bájelo. 23 - 2

Uso del bloqueo de rotación de las ruedas delanteras

consulte las imágenes 24

Rueda delantera bloqueada o desbloqueada como en 24.

Consejo Se recomienda utilizar el bloqueo de rotación de las ruedas delanteras en superficies irregulares.

Uso del freno

consulte las imágenes 25 - 26

Para bloquear las ruedas, pise sobre la palanca del freno. 25

Para desbloquear las ruedas, simplemente levante la palanca del freno. 26

Consejo Accione el freno siempre que el cochecito no esté en movimiento.

Uso de la capota

consulte las imágenes 27 - 28

La capota puede abrirse o plegarse tirando de ella hacia delante o hacia atrás.

La capota se puede abrir completamente para proteger al niño, principalmente del sol. Basta con abrir la cremallera 27 y tirar de la capota hacia delante.

La capota incorpora una ventana a través de la cual puede ver a su bebé. 28

Ajuste del manillar

consulte las imágenes 29

El manillar se puede ajustar en 4 alturas diferentes.

Ajuste de la altura del asiento

consulte las imágenes 30 - 31

El asiento puede ajustarse en 4 alturas diferentes

Levante el asiento para subir la altura. 30

Presione los botones de ajuste de la altura del asiento y tire hacia arriba, y presione hacia abajo para disminuir la altura del asiento. 31

Cambio del asiento

consulte las imágenes 32 - 38

El asiento se puede cambiar, lo que permite que la madre y el niño puedan mirarse cara a cara.

Presione los botones de desbloqueo del asiento al tiempo que levanta el asiento. Gire el asiento de manera que quede en la dirección inversa y, a continuación, insértelo en sus soportes.

Ambos soportes del asiento deben estar nivelados como se muestra en 33. Si se producen las situaciones que se muestran en 34 y 35, presione el botón de ajuste de la altura del asiento y tire hacia arriba. A continuación, presione hacia abajo para disminuir la altura del asiento para asegurarse de que ambos soportes del asiento estén nivelados. 36

Uso de la cesta de almacenaje

consulte las imágenes 39

Abra los corchetes de la cesta para aumentar el espacio de la misma. 39 - 1

La carga máxima de cada bolsa A de almacenamiento a cada lado de la cesta es de 0,45 kg.

Para evitar riesgos y la inestabilidad de la silla, no deberá colocar objetos que sumen en total un peso superior a 4,5 kg en la cesta de almacenamiento y la bolsa B de almacenamiento.

Plegado del cochecito

consulte las imágenes 40 - 43

! Pliegue la capota antes de plegar el cochecito.

Presione el botón de plegado y tire hacia arriba 40. Luego gire el asa hacia abajo 41 y el seguro de plegado se cerrará automáticamente 42

! Si el asiento está en la posición más baja, puede deslizarse

hacia abajo mientras se pliega el cochecito para asegurarse de que el seguro de plegado se bloquea automáticamente.

- ! No pliegue el cochecito cuando el asiento esté orientado hacia atrás. 43
- ! No pliegue el cochecito con el bloqueo de rotación de las ruedas delanteras activado.
- ! El cochecito con asiento orientado hacia adelante puede permanecer de pie cuando el manillar está en la posición más alta.

Uso de los accesorios

Es posible que los accesorios se vendan por separado o no estén disponibles, dependiendo de la región.

Uso de la burbuja de lluvia

consulte las imágenes 44

Para montar la burbuja de lluvia, colóquela sobre el asiento.

- ! Cuando utilice la burbuja de lluvia, deberá asegurarse siempre de que haya una ventilación adecuada.
- ! Cuando no vaya a utilizar la burbuja de lluvia, asegúrese de que esté limpia y seca antes de plegarla.
- ! No pliegue el cochecito con la burbuja de lluvia montada.
- ! No coloque al niño en el cochecito con la burbuja de lluvia montada si hace calor.

Uso con sistema de retención infantil

consulte las imágenes 45 - 49

Cuando lo utilice con los sistemas de retención infantil i-Gemm 2 & i-Level & i-Snug de Joie, consulte las siguientes instrucciones:

- ! El sonido de un “clic” le indicará que el adaptador está bien instalado.

- ! El ángulo del sistema de retención infantil se puede regular con los adaptadores ajustables. 47
- ! El adaptador tiene 3 posiciones. No utilice el cochecito si la cabeza del bebé está más baja que los pies después de acoplar el sistema de retención infantil.
- ! Si experimenta algún problema al utilizar el sistema de retención infantil, consulte el manual de instrucciones del mismo.
- ! No pliegue el cochecito con el sistema de retención infantil instalado.

Uso con el capazo de Joie

consulte las imágenes 50 - 53

Cuando lo utilice con el capazo ramble o ramble xl de Joie, consulte las siguientes instrucciones.

- ! Si experimenta algún problema al utilizar el capazo, consulte el manual de instrucciones del mismo.
- ! No utilice el producto cuando la cabeza del bebé esté más baja que los pies después de acoplar el capazo.
- ! Utilice siempre el colchón cuando utilice el capazo.
- ! No pliegue el cochecito con el capazo instalado.

Uso del accesorio

consulte las imágenes 54 - 55

Desmontaje y montaje de la tapicería

consulte las imágenes 56 - 64

1. Quite el reposabrazos como se muestra en la ilustración 12

2. Abra la hebilla de la parte inferior del asiento. 56

Para volver a instalar el acolchado del asiento, siga los pasos anteriores en orden inverso 64 - 56

Limpieza y mantenimiento

consulte las imágenes 65

- ! Para limpiar el manillar del cochecito, utilice únicamente jabón para uso doméstico y agua tibia. No utilice lejía ni detergente. Consulte la etiqueta de lavado para ver las instrucciones acerca de la limpieza de las partes de tela del cochecito.
- ! La tapicería se puede lavar a máquina. No utilice lejía. No retuerza con demasiada fuerza la tapicería ni el acolchado interno cuando los seque. Podrían quedar arrugas en los mismos.
- ! Examine periódicamente su cochecito por si tuviera tornillos sueltos, piezas desgastadas o materiales dañados o desco- sidos. Sustituya o repare las piezas que lo requieran. Limpie periódicamente las partes de plástico con un paño suave y húmedo. Seque siempre las partes metálicas para evitar que se oxiden si el cochecito ha estado en contacto con el agua.
- ! Una exposición excesiva al sol o al calor podría decolorar o deformar las piezas.
- ! Si el cochecito se moja, abra la capota y deje que se seque completamente antes de guardarlo.
- ! Si chirrían las ruedas, utilice un aceite suave (por ejemplo: spray de silicona, aceite antioxidante o aceite para máqui- nas de coser). Es importante que el aceite llegue al ensam- blaje de las ruedas y el eje. 65
- ! Cuando utilice su cochecito en la playa o en otros entornos con arena/polvo, límpielo completamente después de usarlo para eliminar cualquier resto de arena y sal que haya podido quedar en los ensamblajes de las ruedas y los mecanismos.

PT Bem-vindo à Joie™

Parabéns por se tornar membro da família Joie! Estamos muito satisfeitos por participar na sua aventura com o seu bebé. Ao viajar com o Joie aerea, está a utilizar um carrinho de bebé de alta qualidade, totalmente certificado, aprovado pelas normas europeias de segurança EN 1888-2:2018. Este produto é indicado para crianças com menos de 22 kg ou 4 anos, o que ocorrer primeiro. Leia atentamente este manual e execute todos os passos para garantir uma utilização confortável e a melhor proteção para a criança.

IMPORTANTE - LEIA ATENTAMENTE E GUARDE PARA FUTURA REFERÊNCIA.

Visite-nos em joiebaby.com para transferir os manuais e conhecer outros produtos interessantes da Joie!

Para informações sobre a garantia, visite o nosso Web site em joiebaby.com

Índice

Figuras	1-12
AVISO	113
Montagem do carrinho de bebé	116
Abrir o carrinho de bebé	116
Montagem e remoção da roda dianteira	116
Montagem e remoção da roda traseira	116
Montagem da cobertura	116
Montagem e remoção da barra de proteção	116

Utilização do carrinho de bebé	117
Ajuste do apoio das costas	117
Utilizar a fivela	117
Utilizar a alça e cinto subabdominal	118
Ajustar o apoio da perna	118
Utilizar o bloqueio giratório dianteiro	119
Utilizar o travão	119
Utilizar a cobertura	119
Ajustar a pega	119
Ajustar a altura do assento	119
Trocar a cadeira	120
Utilizar o cesto de armazenamento	120
Dobrar o carrinho de bebé	120
Utilizar acessórios	121
Retirar e montar a capa de tecido acolchoado	122
Limpeza e manutenção	124

Emergência

Em caso de emergência ou acidente, é importante prestar imediatamente os primeiros socorros e tratamento médico ao seu filho.

Informações sobre o produto

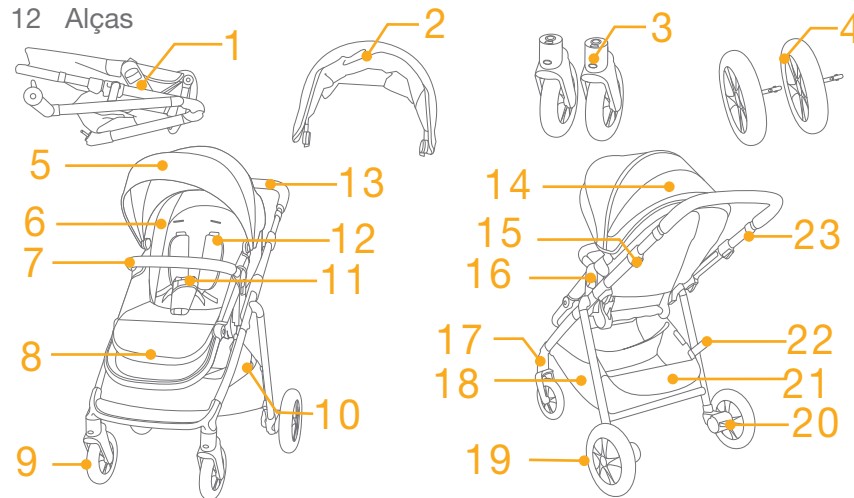
Leia atentamente todas as instruções deste manual antes de utilizar este produto. Se tiver questões, consulte o revendedor. Algumas características podem variar dependendo do modelo.

Produto	Carrinho de bebé Aeria
Adequado para	crianças com menos de 22 kg ou 4 anos, o que ocorrer primeiro.
Materiais	Plástico, metal, tecido
N.º de patente	Patentes pendentes
Fabricado na	China
Nome da marca	Joie
Site	www.joiebaby.com
Fabricante	Allison GmbH

Lista de componentes

Certifique-se de que todas as peças estão disponíveis antes da montagem. Se alguma peça estiver em falta, contacte o revendedor local. Não são necessárias ferramentas para a montagem.

- | | | | |
|----|-------------------------------|----|---------------------------------|
| 1 | Estrutura do carrinho de bebé | 13 | Pega |
| 2 | Cobertura | 14 | Janela da cobertura |
| 3 | Roda dianteira | 15 | Botão de fecho |
| 4 | Roda traseira | 16 | Botão de desbloqueio da cadeira |
| 5 | Cobertura | 17 | Bloqueio giratório |
| 6 | Capa de tecido acolchoado | 18 | Saco de armazenamento A |
| 7 | Barra de proteção frontal | 19 | Roda traseira |
| 8 | Apoio da perna | 20 | Alavanca do travão |
| 9 | Roda dianteira | 21 | Saco de armazenamento B |
| 10 | Cesto de armazenamento | 22 | Trinco de armazenamento |
| 11 | Fivela | 23 | Botão de ajuste da pega |
| 12 | Alças | | |

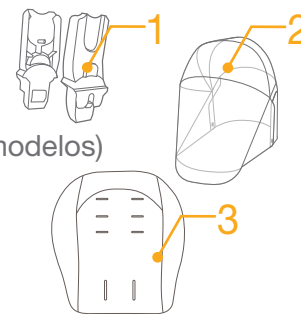


Acessórios

(podem não estar incluídos)

- 1 Adaptador (em determinados modelos)
- 2 Capa impermeável (em determinados modelos)
- 3 Redutor (em determinados modelos)

Os acessórios podem ser vendidos separadamente ou podem não estar disponíveis dependendo da região.



AVISO

- ! AVISO Utilize sempre o sistema de retenção. Os cintos de segurança e os sistemas de retenção devem ser utilizados corretamente.
- ! AVISO Certifique-se de que os dispositivos de bloqueio estão acionados antes de utilizar a alfofa.
- ! AVISO Não deixe a criança brincar com este produto.
- ! AVISO Verifique se o corpo do carrinho de bebê, a unidade de assento ou os dispositivos de encaixe da cadeira auto estão devidamente encaixados antes de utilizar o produto.
- ! A montagem deverá ser efetuada por adultos.
- ! Este produto é indicado para crianças com menos de 22 kg ou 4 anos, o que ocorrer primeiro.
- ! Para evitar condições perigosas e instáveis, não coloque mais de 4,5 kg no cesto de armazenamento.
- ! Nunca deixe a criança sem supervisão. Mantenha sempre a criança sob a sua supervisão enquanto estiver no carrinho de bebê.
- ! Utilize o carrinho de bebê com apenas uma criança de cada vez. Nunca coloque bolsas, sacos de compras, embalagens ou acessórios na pega ou cobertura.
- ! Não utilize acessórios que não sejam aprovados pelo fabricante. Utilize apenas peças fornecidas e recomendadas pelo fabricante.
- ! A sobrecarga, fecho incorreto e utilização de peças de outros fabricantes podem danificar, quebrar ou tornar o carrinho de bebê inseguro. Leia atentamente o manual de instruções.
- ! Leia todas as instruções neste manual antes de utilizar o produto. Guarde este manual de instruções para utilização futura. O incumprimento dos avisos e instruções pode resultar em lesões graves ou morte.
- ! Para evitar lesões graves devido a quedas ou deslizamentos, utilize sempre o cinto de segurança.
- ! Certifique-se de que o corpo da criança não está em contacto com as partes móveis ao ajustar o carrinho de bebê.

- ! Certifique-se de que o carrinho de bebê está totalmente aberto ou dobrado antes de deixar a criança perto do carrinho.
- ! Se não utilizar as alças, a criança pode escorregar pelas aberturas das pernas e sufocar.
- ! Nunca utilize o carrinho de bebê em escadas rolantes ou convencionais.
- ! Mantenha o produto afastado de objetos a altas temperaturas, líquidos e dispositivos eletrônicos.
- ! Nunca deixe a criança colocar-se de pé no carrinho de bebê ou sentar-se com a cabeça virada para a frente do carrinho.
- ! Nunca coloque o carrinho de bebê em estradas, declives ou áreas perigosas.
- ! Para evitar o estrangulamento, NÃO coloque artigos com fios à volta do pescoço da criança, pendure fios neste produto, ou ate fios a brinquedos.
- ! Qualquer carga colocada sobre a pega e/ou na traseira do apoio das costas e/ou nas laterais do veículo podem afetar a estabilidade do mesmo.
- ! NÃO eleve o carrinho enquanto a criança estiver lá dentro.
- ! NÃO utilize o cesto de armazenamento como transportador.
- ! Nunca deixe a criança trepar o carrinho de bebê, sob o risco de o derrubar. Seja sempre você a retirar e a colocar a criança no carrinho de bebê.
- ! Para evitar apertar os dedos, tenha cuidado ao dobrar e desdobrar o carrinho de bebê.
- ! Para evitar lesões, assegure-se de que mantém a criança afastada ao dobrar e desdobrar este produto.
- ! Para assegurar a segurança da criança, certifique-se de que todas as peças estão montadas e firmemente apertadas antes de utilizar o carrinho de bebê.
- ! Para evitar o risco de estrangulamento, certifique-se de que a criança está afastada da cobertura.
- ! Acione sempre os travões quando parar o carrinho de bebê.
- ! Interrompa a utilização do carrinho de bebê caso este esteja danificado ou quebrado.

- ! O carrinho de bebé deve ser utilizado apenas em velocidade de passeio. Este produto não se destina a ser utilizado em corrida.
- ! Para evitar risco de asfixia, retire o saco de plástico e os materiais de embalagem antes de utilizar este produto. O saco de plástico e os materiais de embalagem devem ser afastados de bebés e crianças.
- ! Este produto não é adequado para correr ou patinar.
- ! No caso de recém-nascidos, recomenda-se que utilize a cadeira na posição mais reclinada possível.
- ! O dispositivo de travagem deve ser acionado ao colocar e remover a criança.
- ! Para os dispositivos de retenção utilizados em conjunto com a estrutura do carrinho de bebé, o carrinho não substitui um berço ou cama. Se a criança precisar de dormir, coloque-a na alcofa, berço ou cama apropriados.
- ! A alcofa não deve ser utilizada a partir do momento que a criança conseguir sentar-se sozinha, rolar e levantar-se apoiando-se nas mãos e nos joelhos. Peso máximo da criança: 9 kg.
- ! NÃO utilize ou adicione outro colchão além do fornecido com a alcofa.
- ! Não coloque itens na pega, encosto ou nas laterais do carrinho. Qualquer carga adicional afetará a estabilidade do carrinho e poderá fazer com que o carrinho tombe.
- ! Não serão fornecidos colchões adicionais, a menos que seja recomendado pelo fabricante.
- ! Não dobre a estrutura do carrinho com a cadeira virada para trás.

Montagem do carrinho de bebé

(consulte as figuras na página 1-12)

Leia atentamente todas as instruções neste manual antes de instalar e utilizar este produto.

Abrir o carrinho de bebé

ver imagens ① - ③

Separe o trinco de armazenamento do suporte de armazenamento ①, e depois levante a pega ②, o som de um “clique” significa que o carrinho está completamente aberto.

- ! Empurre o apoio para os pés para baixo e reposicione-o. ③ - 1
- ! Prenda o botão sob o apoio da perna. ③ - 2
- ! Verifique se o carrinho está completamente travado antes de continuar a utilizar.

Montagem e remoção da roda dianteira

ver imagens ④ - ⑤

Montagem e remoção da roda traseira

ver imagens ⑥ - ⑧

Montagem da cobertura

ver imagens ⑨ - ⑩

Montagem e remoção da barra de proteção

ver imagens ⑪ - ⑫

A ilustração apresenta o carrinho totalmente montado. ⑬

Utilização do carrinho de bebé

Ajuste do apoio das costas

ver imagens 14 - 15

O apoio das costas apresenta 5 ângulos de reclinção.

Reclinar o apoio das costas

Para reclinar o apoio das costas, aperte o punho reclinável na parte de trás do banco e puxe o apoio das costas para baixo.

14

Elevar o apoio das costas

Para elevar, empurre para cima. 15

! Certifique-se de que a reclinção está corretamente definida.

! A carga máxima do bolso de armazenamento na parte traseira é de 0,45 kg.

Utilizar a fivela

ver imagens 16 - 17

Soltar a fivela

Pressione o botão e a fivela irá abrir automaticamente. 16

Bloquear a fivela

Combine a fivela do cinto com a fivela de ombro 17 - 1 e alinhe-as com a fivela central. A fivela irá bloquear automaticamente. 17 - 2 O som de um "clique" significa que a fivela está corretamente encaixada. 17 - 3

! Para evitar lesões graves como consequência de quedas ou deslizamentos, prenda sempre a criança com as alças.

! Certifique-se de que a criança está segura e confortável. O espaço entre a criança e as alças tem a espessura aproximada de uma mão.

! Não cruze as correias dos ombros. Ao fazê-lo, estará a pressionar o pescoço da criança.

Utilizar a alça e cinto subabdominal

ver imagens 18 - 21

! Para proteger o seu filho de cair, depois de colocar o seu filho no assento, verifique se a alça e o cinto subabdominal estão na altura e comprimento adequados.

18 - 1 Fixação da alça

18 - 2 Regulador deslizante

Para crianças maiores, utilize a alça e as ranhuras para ombro mais altas. Para crianças mais pequenas, utilize a alça e as ranhuras para ombro mais baixas.

! A posição da alça pode ser ajustada a partir da abertura superior que é fechada por fixadores ou do bolso inferior.

19 - 1

Para ajustar a posição da alça, rode a âncora para nivelar com o lado virado para a frente. Enfie-o pela ranhura para alça de trás para a frente. 19 Reposicione-o pela ranhura mais próxima da altura do ombro da criança. 20

Utilize o regulador deslizante para alterar o comprimento do arnês. 21 - 1

Pressione o botão 21 - 2, enquanto puxa o cinto subabdominal para o comprimento adequado. 21 - 3

Ajustar o apoio da perna

ver imagens 22 - 23

O apoio da perna tem 2 posições.

Para elevar o apoio da perna, empurre-o para cima. 22 O som de um "clique" significa que a fivela está corretamente encaixada.

Para baixar o apoio da perna, pressione os botões de ajuste em ambos os lados do apoio da perna 23 - 1 e rode o apoio da perna para baixo. 23 - 2

Utilizar o bloqueio giratório dianteiro

ver imagens 24

O estado de bloqueio ou desbloqueio das rodas é obtido conforme ilustrado em 24.

Ponta Recomenda-se a utilização dos bloqueios giratórios em superfícies irregulares.

Utilizar o travão

ver imagens 25 - 26

Para bloquear as rodas, pise a alavanca do travão para baixo. 25

Para soltar as rodas, basta elevar a alavanca do travão para cima. 26

Ponta Acione sempre o travão de estacionamento quando o carrinho não está a mover.

Utilizar a cobertura

ver imagens 27 - 28

A cobertura pode ser aberta ou dobrada, puxe-a para a frente ou para trás.

A cobertura pode ser aberta completamente para proteger a sua criança do sol, basta abrir o fecho 27 e depois puxar a cobertura para a frente.

A cobertura possui uma janela, através da qual pode ver a criança. 28

Ajustar a pega

ver imagens 29

A pega possui 4 posições.

Ajustar a altura do assento

ver imagens 30 - 31

A cadeira possui 4 posições.

Puxe pela cadeira para aumentar a altura. 30

Pressione os botões de ajuste de altura e puxe pela cadeira. Em seguida, pressione para diminuir a altura da cadeira. 31

Trocar a cadeira

ver imagens 32 - 38

É possível mudar a orientação da cadeira, ficando a criança e a mãe voltadas uma para a outra.

Pressione os botões de desbloqueio da cadeira e levante-a. Vire a cadeira para inverter a direção e, em seguida, introduza a cadeira nos suportes da mesma.

Ambos os suportes necessitam de estar nivelados conforme exibido em 33. Se verificar as situações apresentadas em 34 e 35, pressione o botão de ajuste da altura da cadeira e puxe. Em seguida, pressione para diminuir a altura da cadeira e garantir que ambos os suportes estão nivelados. 36

Utilizar o cesto de armazenamento

ver imagens 39

Solte os botões no cesto para aumentar o espaço do cesto. 39 - 1

A carga máxima de cada bolso de armazenamento A em ambos os lados do cesto é de 0,45 kg.

Para evitar condições perigosas e instáveis, não coloque mais de 4,5 kg no cesto de armazenamento e na bolsa de armazenamento B.

Dobrar o carrinho de bebé

ver imagens 40 - 43

! Dobre a cobertura antes de dobrar o carrinho de bebé.

Pressione o botão de fecho e puxe, 40. Em seguida, rode a pega para baixo, 41. O trinco de fecho irá bloquear

automaticamente. 42

- ! Se a cadeira estiver na posição inferior, pode deslizar para baixo enquanto dobra o carrinho de bebê para garantir que o trinco de fecho bloqueia automaticamente.
- ! Não dobre a estrutura do carrinho com a cadeira virada para trás. 43
- ! Não dobre a estrutura do carrinho quando o bloqueio giratório da roda dianteira estiver bloqueado.
- ! O carrinho de bebê com a cadeira virada para a frente pode ficar em pé quando a pega está na posição mais alta.

Utilizar acessórios

Os acessórios podem ser vendidos separadamente ou podem não estar disponíveis dependendo da região.

Utilizar capa impermeável

ver imagens 44

Para instalar a capa impermeável, coloque-a sobre a cadeira.

- ! Ao utilizar a capa impermeável, verifique sempre a sua ventilação.
- ! Quando não estiver em utilização, verifique se a capa impermeável foi limpa e seca antes de a dobrar.
- ! Não dobre o carrinho de bebê depois de instalar a capa impermeável.
- ! Não coloque a criança no carrinho de bebê com a capa impermeável instalada durante o tempo quente.

Utilizar com dispositivo de retenção para crianças

ver imagens 45 - 49

Ao utilizar com o sistema de retenção para crianças Joie i-Gemm 2 & i-Level & i-Snug, consulte as instruções seguintes.

- ! O som de um "clique" significa que o adaptador está corretamente encaixado.
- ! O ângulo do dispositivo de retenção para crianças pode ser ajustado com os nossos adaptadores ajustáveis. 47
- ! O adaptador possui 3 posições. Não utilize o produto se a cabeça da criança estiver numa posição inferior à dos pés depois de colocar o dispositivo de retenção para crianças.
- ! Se tiver algum problema ao utilizar o sistema de retenção para crianças, consulte os manuais de instruções deles.
- ! Não dobre o carrinho de bebê com o sistema de retenção para crianças ainda encaixado.

Utilizar com a alcofa Joie

ver imagens 50 - 53

Ao utilizar a alcofa Joie ramble, ramble xl, consulte as seguintes instruções.

- ! Se tiver algum problema ao utilizar a alcofa, consulte os manual de instruções da mesma.
- ! Não utilize o produto se a cabeça da criança estiver numa posição inferior à dos pés depois de colocar a alcofa.
- ! Utilize o colchão sempre que utiliza a alcofa.
- ! Não dobre o carrinho de bebê ao encaixar a alcofa.

Utilizar o redutor

ver imagens 54 - 55

Retirar e montar a capa de tecido acolchoado

ver imagens 56 - 64

1. Remova a barra de proteção conforme exibido 12
2. Abra a fivela que se encontra na parte inferior do assento. 56

Para instalar novamente a capa de tecido acolchoado, siga os passos acima em ordem inversa 64 - 56

Limpeza e manutenção

ver imagens 65

- ! Para limpar a estrutura do carrinho de bebê, utilize apenas sabão e água quente. Não utilizar lixívia ou detergente. Consulte as instruções de limpeza na etiqueta das peças de tecido do carrinho de bebê.
- ! Capas de tecido removíveis podem ser lavadas à máquina. Sem lixívia. Não torça as capas de tecido acolchoado e o revestimento interno para os secar rapidamente. Poderá originar vincos na capa e no acolchoado interior.
- ! Verifique periodicamente se o carrinho de bebê tem parafusos desapertados, peças desgastadas, materiais ou costuras rasgados. Substitua ou repare as peças, conforme necessário. Limpe periodicamente as peças de plástico limpas com um pano macio e húmido. Seque sempre as partes metálicas para evitar a formação de ferrugem se o carrinho entrar em contacto com a água.
- ! A exposição excessiva ao sol ou calor poderá causar o desvanecimento das cores ou a deformação das peças.
- ! Se o carrinho ficar molhado, abra a cobertura e deixe secar completamente antes de guardar.
- ! Se as rodas rangem, utilize um óleo leve (por exemplo, spray de silicone, óleo antiferrugem ou óleo de máquina de costura). É importante colocar o óleo no conjunto do eixo e da roda. 65
- ! Se utilizar o carrinho de bebê na praia ou em ambientes poeirentos/areia, limpe totalmente o carrinho de bebê após a sua utilização para remover a areia e o sal dos mecanismos e dos componentes das rodas.

Gratulujemy zostania członkiem rodziny Joie! Bardzo się cieszymy z możliwości wspólnego podróżowania z Państwem dzieckiem. Podczas podróży z Joie aera, używasz wysokiej jakości, wyposażonego w komplet certyfikatów wózka dziecięcego, zgodnego z Europejskimi standardami bezpieczeństwa EN 1888-2:2018. Ten produkt jest przeznaczony dla dzieci o wadze do 22kg lub w wieku do 4 lat, zależnie od tego co nastąpi wcześniej. Prosimy o uważne przeczytanie tego podręcznika i wykonanie każdej czynności, aby zapewnić wygodną jazdę i najlepsze zabezpieczenie dziecka.

WAŻNE - DOKŁADNIE PRZECZYTAJ I ZACHOWAJ DO PRZYSZŁEGO WYKORZYSTANIA.

Odwiedź nas pod adresem joiebaby.com w celu pobrania podręczników i sprawdzenia, innych ekscytujących produktów Joie!

W celu uzyskania informacji o gwarancji, należy odwiedzić naszą stronę internetową, pod adresem joiebaby.com

Spis treści

Rysunki	1-12
OSTRZEŻENIE	129
Montaż wózka dziecięcego	132
Rozkładanie wózka dziecięcego	132
Montaż i demontaż kół przednich	132
Montaż i demontaż kół tylnych	132
Montaż daszka	132
Montaż i demontaż wspornika ramion	132

Działanie wózka dziecięcego	133
Regulacja oparcia	133
Korzystanie ze sprzączki	133
Używanie uprząży na ramiona i biodra	134
Regulacja podparcia łydek	134
Korzystanie z blokady obrotu	135
Korzystanie z hamulca	135
Korzystanie z daszka	135
Regulacja uchwytu	135
Regulacja wysokości siedzenia	135
Zmiana kierunku ustawienia siedzenia	136
Korzystanie z koszyka transportowego	136
Składanie wózka	136
Używanie akcesoriów	137
Odłączanie i montaż miękkich elementów	139
Czyszczenie i konserwacja	140

Sytuacja zagrożenia

W sytuacji zagrożenia lub po wypadku, najważniejsze jest, aby udzielić dziecku pierwszej pomocy i jak najszybciej poddać je leczeniu medycznemu.

Informacje o produkcji

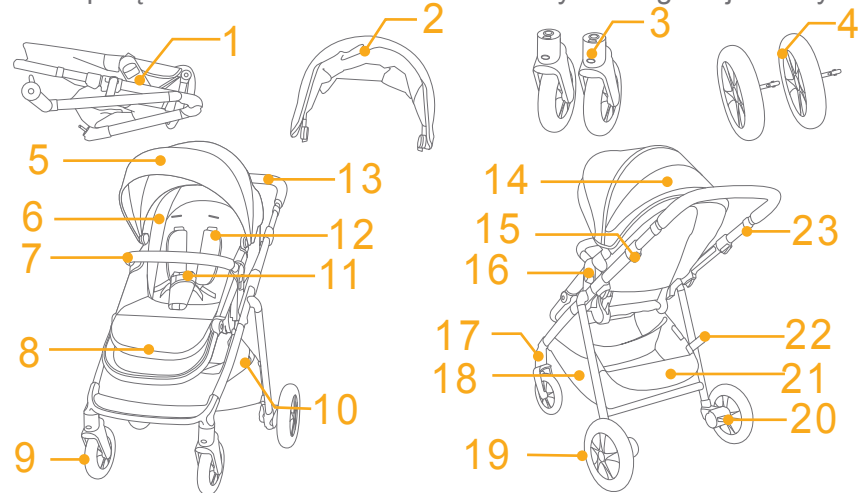
Przed rozpoczęciem używania tego produktu, należy przeczytać wszystkie instrukcje z tego podręcznika. W przypadku jakichkolwiek dalszych pytań, należy się skonsultować ze sprzedawcą. Niektóre funkcje zależą od modelu.

Produkt	Wózek dziecięcy Aeria
Odpowiedni dla	dzieci o wadze do 22kg lub w wieku do 4 lat, zależnie od tego co nastąpi wcześniej
Materiały	Tworzywa sztuczne, metal, tkaniny
Nr patentu	W trakcie patentowania
Wyprodukowano w	Chinach
Nazwa marki	Joie
Strona internetowa	www.joiebaby.com
Producent	Allison GmbH

Lista części

Upewnij się, że posiadasz wszystkie części zanim rozpoczniesz proces montażu. Jeśli którejś z części brakuje, należy się skontaktować z lokalnym sprzedawcą. Montaż nie wymaga użycia żadnych dodatkowych narzędzi.

- | | | | |
|----|---------------------|----|-------------------------------|
| 1 | Rama wózka | 13 | Uchwyt |
| 2 | Daszek | 14 | Okno daszka |
| 3 | Koło przednie | 15 | Przycisk składania |
| 4 | Koło tylne | 16 | Przycisk zwolnienia siedzenia |
| 5 | Daszek | 17 | Blokada obrotu |
| 6 | Poduszka siedzenia | 18 | Torba do przechowywania A |
| 7 | Pałak | 19 | Koło tylne |
| 8 | Podparcie łydek | 20 | Dźwignia hamulca |
| 9 | Koło przednie | 21 | Torba do przechowywania B |
| 10 | Koszyk transportowy | 22 | Zapadka przechowywania |
| 11 | Sprzączka | 23 | Przycisk regulacji uchwytu |
| 12 | Uprząż na ramiona | | |

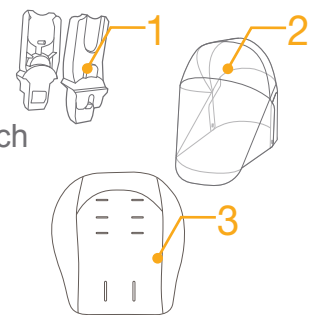


Akcesoria

(Mogą nie być dostarczone)

- 1 Adapter (w niektórych modelach)
- 2 Folia przeciwdeszczowa (w niektórych modelach)
- 3 Wkładka (w niektórych modelach)

Akcesoria mogą być sprzedawane oddzielnie lub w zależności od regionu, mogą nie być dostępne.



OSTRZEŻENIE

- ! OSTRZEŻENIE Należy zawsze używać systemem przytrzymującym. Pasy bezpieczeństwa i systemy przytrzymujące muszą być używane prawidłowo.
- ! OSTRZEŻENIE Przed użyciem należy się upewnić, że działają wszystkie urządzenia blokujące.
- ! OSTRZEŻENIE Nie należy pozwalać dziecku na zabawę z tym produktem.
- ! OSTRZEŻENIE Przed użyciem upewnić się, czy urządzenia mocujące korpus wózka, część z siedzeniem lub fotelik samochodowy są prawidłowo zamocowane.
- ! Wymagany jest montaż przez osobę dorosłą.
- ! Ten produkt jest przeznaczony dla dzieci o wadze do 22kg lub w wieku do 4 lat, zależnie od tego co nastąpi wcześniej.
- ! Aby zapobiec niebezpiecznym sytuacjom, niestabilności, w koszu nie należy umieszczać więcej niż 4,5kg bagażu.
- ! Nigdy nie należy zostawiać dziecka bez nadzoru. Dziecko w wózku powinno być zawsze widoczne.
- ! W wózku dziecięcym może znajdować się jednocześnie tylko jedno dziecko. Nigdy nie należy zawieszania torebek, toreb na zakupy, paczek lub akcesoriów na uchwycie lub na daszku.
- ! Nie należy używać akcesoriów niezatwierdzonych przez producenta. Używać należy wyłącznie części zamiennych dostarczonych lub zalecanych przez producenta.
- ! Przeciążenie, nieprawidłowe złożenie lub używanie części składowych od innych producentów, może spowodować uszkodzenie wózka dziecięcego, złamanie lub utratę bezpieczeństwa. Należy dokładnie przeczytać podręcznik.
- ! Przed użyciem tego produktu, należy przeczytać wszystkie instrukcje z tego podręcznika. Ten podręcznik należy zachować do przyszłego użycia. Niestosowanie się do tych ostrzeżeń i instrukcji, może spowodować poważne obrażenia lub śmierć.
- ! Aby uniknąć poważnych obrażeń w wyniku upadku lub zsunienia, należy używać pasa bezpieczeństwa.
- ! Podczas regulacji wózka dziecięcego należy się upewnić, że na ciele dziecka nie ma ruchomych części.

- ! Przed dopuszczeniem dziecka w pobliże wózka należy upewnić się, że jest on całkowicie rozłożony lub złożony.
- ! Jeśli nie będzie używana uprząż, dziecko może ześlizgnąć się do szczelin na nogi i udusić się.
- ! Nigdy nie należy używać wózka dziecięcego na schodach lub w windach.
- ! Należy unikać obiektów o wysokich temperaturach, płynów i elektroniki.
- ! Nigdy nie należy pozwalać dziecku stawać w wózku lub siadać w wózku głową zwróconą w kierunku wózka.
- ! Wózka dziecięcego nigdy nie należy ustawiać na drogach, stokach lub w niebezpiecznych miejscach.
- ! Aby uniknąć uduszenia, NIE wolno umieszczać na szyi dziecka elementów ze sznurkiem, pozostawiać wiszących sznurków na tym produkcie lub wiązać sznurków do zabawek.
- ! Każdy ładunek przymocowany do uchwytu i/lub z tyłu oparcia i/ lub na bokach wózka będzie wpływać na stabilność wózka.
- ! NIE należy podnosić wózka dziecięcego, gdy znajduje się w nim dziecko.
- ! NIE należy używać kosza do przewożenia dziecka.
- ! Aby zapobiec przewróceniu, nigdy nie należy pozwalać dziecku na wspinanie się po wózku dziecięcym. Należy zawsze wkładać i wyjmować dziecko z wózka dziecięcego.
- ! Aby uniknąć uchwycenia palców, podczas składania i rozkładania wózka dziecięcego należy zachować ostrożność.
- ! Aby uniknąć obrażeń podczas składania i rozkładania tego produktu należy się upewnić, że dziecko znajduje się dalej.
- ! Aby zapewnić bezpieczeństwo dziecka, przed użyciem wózka dziecięcego należy się upewnić, że wszystkie części zostały złożone i przymocowane prawidłowo.
- ! Aby uniknąć uduszenia, należy się upewnić, że dziecko znajduje się dalej od daszka.
- ! Podczas parkowania wózka dziecięcego należy zawsze uruchamiać hamulce.
- ! Należy przerwać używanie wózka jeśli zostanie on uszkodzony lub pęknięty.

- ! Wózek dziecięcy można używać wyłącznie z prędkością spacerową. Ten produkt nie jest przeznaczony do używania podczas joggingu.
- ! Aby uniknąć uduszenia, przed użyciem tego produktu należy usunąć plastikowy worek i materiały pakujące. Plastikowy worek i materiały pakujące należy trzymać z dala od niemowląt i dzieci.
- ! Ten produkt nie jest odpowiedni do biegania lub jazdy na wrotkach.
- ! Wózek dziecięcy przeznaczony dla dzieci od urodzenia, dla noworodków powinien być używany w najbardziej nachylonej pozycji.
- ! Podczas wkładania i wyjmowania dzieci należy uruchomić urządzenie parkingowe.
- ! Systemy przytrzymujące dla niemowląt, używane w połączeniu z podstawą, nie zastąpią łóżeczka dziecięcego lub łóżka. Gdy dziecko chce spać, należy je umieścić w odpowiednim wózku dziecięcym, łóżeczku dziecięcym lub na łóżku.
- ! Gondoli nie należy używać, gdy dziecko będzie już mogło samo siadać, przekręcać się z boku na bok i ustawiać, opierając się na rękach i na kolanach. Maksymalna masa dziecka: 9 kg.
- ! NIE WOLNO używać ani dodawać żadnego materaca innego niż dostarczony wraz z gondolą.
- ! Nie mocować przedmiotów od uchwytu, oparcia siedzenia lub boków wózka. Każde dodatkowe obciążenie będzie mieć wpływ na stabilność wózka i może spowodować wywrócenie wózka.
- ! Nie są wymagane żadne dodatkowe materace o ile nie zaleci ich producent.
- ! Nie należy składać ramy, gdy jest siedzenie skierowane do tyłu.

Montaż wózka dziecięcego

(Patrz rysunki na stronach 1-12)

Przed montażem i rozpoczęciem używania tego produktu, należy przeczytać wszystkie instrukcje z tego podręcznika.

Rozkładanie wózka dziecięcego

Patrz rysunki ① - ③

Oddziel zatrzask kosza od elementu montażowego kosza ①, a następnie unieś uchwyt do góry ②, dźwięk kliknięcia oznacza, że wózek dziecięcy jest całkowicie otwarty.

! Naciśnij podnóżek w dół i zresetuj go. ③ - 1

! Zamontuj przycisk pod podparciem łydek. ③ - 2

! Przed kontynuowaniem używania należy sprawdzić, czy wózek dziecięcy jest całkowicie zatrzaśnięty.

Montaż i demontaż kół przednich

Patrz rysunki ④ - ⑤

Montaż i demontaż kół tylnych

Patrz rysunki ⑥ - ⑧

Montaż daszka

Patrz rysunki ⑨ - ⑩

Montaż i demontaż wspornika ramion

Patrz rysunki ⑪ - ⑫

Całkowicie zmontowany wózek jest pokazany jako ⑬

Działanie wózka dziecięcego

Regulacja oparcia

Patrz rysunki 14 - 15

5 kąty nachylenia oparcia pleców.

Nachylenie oparcia pleców

Aby nachylić oparcie pleców, ściśnij uchwyt nachylania z tyłu siedzenia, naciśnij w dół oparcie pleców. 14

Podnoszenie oparcia pleców

Aby podnieść oparcie pleców, naciśnij w górę. 15

! Upewnij się, że nachylenie jest ustawione prawidłowo do używania.

! Maksymalny udźwig kieszeni transportowej na oparciu pleców wynosi 0,45kg.

Korzystanie ze sprzączki

Patrz rysunki 16 - 17

Zwolnienie sprzączki

Naciśnij przycisk, po czym nastąpi automatyczne zwolnienie sprzączki. 16

Sprzączka blokady

Dopasuj sprzączkę pasa biodrowego do sprzączki pasa na ramiona 17 - 1 i dopasuj je do sprzączki centralnej, po czym sprzączka zatrzaśnie się automatycznie. 17 - 2 "Kliknięcie" oznacza, że sprzączka została całkowicie zatrzaśnięta. 17 - 3

! Aby uniknąć poważnych obrażeń w wyniku upadku lub zsunięcia, należy zawsze zabezpieczyć dziecko uprzężą.

! Należy się upewnić, że dziecko jest dobrze zabezpieczone. Odległość pomiędzy dzieckiem a uprzężą na ramiona powinna wynosić około grubości jednej dłoni.

! Nie należy krzyżować pasów na ramiona. Może to spowodować nacisk na kark dziecka.

Używanie uprząży na ramiona i biodra

Patrz rysunki 18 - 21

! Aby zabezpieczyć dziecko przed upadkiem, po umieszczeniu dziecka na siedzeniu, należy sprawdzić, czy uprzęż na ramiona i na talię jest założona na właściwej wysokości i, czy ma odpowiednią długość.

18 - 1 Kotwa uprząży na ramiona

18 - 2 Regulator przesuwu

Dla większego dziecka, należy użyć kotwę uprząży i najwyższe szczeliny uprząży na ramiona. Dla mniejszego dziecka należy użyć kotwę uprząży i najniższe szczeliny uprząży na ramiona.

! Pozycję kotwy pasa na ramiona można regulować w miejscu ponad otwarciem, zamykanym klamrami lub poniżej kieszeni.

19 - 1

Aby wyregulować pozycję kotwy uprząży na ramiona, obróć kotwę w celu wypoziomowania ze stroną skierowaną do przodu. Przełóż ją przez szczelinę uprząży na ramiona, od tyłu do przodu. 19 Przełóż ponownie przez szczelinę najbliższą wysokości ramion dziecka. 20

Użyj regulatora przesuwu do zmiany długości uprząży. 21 - 1

Naciśnij przycisk 21 - 2, wyciągając jednocześnie uprzęż na pas na prawidłową długość. 21 - 3

Regulacja podparcia łydek

Patrz rysunki 22 - 23

Oparcie łydek ma 2 pozycje.

Aby unieść oparcie łydek, naciśnij je do góry. 22 Dźwięk "kliknięcia" oznacza, że oparcie łydek jest całkowicie zablokowane.

W celu obniżenia podparcia łydek, naciśnij przyciski regulacji z obu stron podparcia łydek 23 - 1 i obróć podparcie łydek w dół. 23 - 2

Korzystanie z blokady obrotu

patrz rysunki 24

Przednie koło zablokowane lub odblokowane, jak 24.

Wskazówka Korzystanie z blokady obrotu zalecane jest na nierównych powierzchniach.

Korzystanie z hamulca

Patrz rysunki 25 - 26

Aby zablokować koła, opuść w dół dźwignię hamulca. 25

Aby zwolnić koła, podnieś dźwignię hamulca do góry. 26

Wskazówka Zawsze, kiedy wózek stoi hamulec powinien być zablokowany.

Korzystanie z daszka

Patrz rysunki 27 - 28

Daszek można otwierać lub składać, pociągnij go do przodu lub do tyłu.

Daszek można otworzyć całkowicie, aby zabezpieczyć dziecko przed nadmiernym słońcem, wystarczy otworzyć zamek suwakiem 27, a następnie pociągnąć daszek do przodu.

Na daszku znajduje się okno, przez które można widzieć dziecko. 28

Regulacja uchwytu

patrz rysunki 29

Uchwyt ma 4 pozycji.

Regulacja wysokości siedzenia

Patrz rysunki 30 - 31

Siedzenie ma 4 pozycje.

Pociągnij siedzenie w górę, aby zwiększyć wysokość siedzenia. 30

Naciśnij przyciski regulacji siedzenia i pociągnij je w górę, a następnie popchnij w dół w celu zmniejszenia wysokości siedzenia. 31

Zmiana kierunku ustawienia siedzenia

Patrz rysunki 32 - 38

Siedzenie można przekręcić, co umożliwi widzenie przez matkę twarzy dziecka.

Ściśnij przyciski zwalniania siedzenia i podnieś siedzenie do góry. Przekręć siedzenie w odwrotnym kierunku, a następnie włóż siedzenie do elementów montażowych siedzenia.

Obydwa elementy montażowe siedzenia, powinny się znajdować na poziomie pokazanym, jako 33, jeśli wystąpi sytuacja pokazana, jako 34 i 35, należy nacisnąć przycisk regulacji wysokości siedzenia i pociągnąć je w górę, a następnie nacisnąć w dół w celu zmniejszenia wysokości siedzenia, aby się upewnić, że są wypoziomowane obydwie elementy montażowe siedzenia. 36

Korzystanie z koszyka transportowego

patrz rysunki 39

Odłącz przyciski w koszyku w celu zwiększenia miejsca w koszyku. 39 - 1

Maksymalny udźwig każdej torby do przechowywania A z obu stron kosza wynosi 0,45kg.

Aby zapobiec niebezpiecznej niestabilności, nie wolno umieszczać w koszyku transportowym i torbie do przechowywania obiektów o wadze przekraczającej 4,5kg.

Składanie wózka

Patrz rysunki 40 - 43

! Przed złożeniem wózka dziecięcego należy złożyć daszek.

Naciśnij przycisk składania i pociągnij go w górę, 40 a następnie przekręć uchwyt w dół, 41 po czym nastąpi automatyczne zamknięcie zatrzasku złożenia daszka. 42

- ! Jeśli siedzenie znajduje się w najniższej pozycji, podczas składania wózka może się przesunąć w dół, aby zapewnić automatyczne zamknięcie zatrzasku złożenia daszka.
- ! Nie należy składać ramy, gdy jest siedzenie jest skierowane do tyłu. 43
- ! Nie należy składać ramy, gdy jest zablokowana blokada obrotu przedniego koła.
- ! Wózek ze skierowanym do przodu siedzeniem, może stać, gdy uchwyt znajduje się w najwyższej pozycji.

Używanie akcesoriów

Akcesoria mogą być sprzedawane oddzielnie lub w zależności od regionu, mogą nie być dostępne.

Korzystanie z osłony przeciwdeszczowej

patrz rysunki 44

W celu zamontowania osłony przeciwdeszczowej należy umieścić ją nad siedzeniem.

- ! W przypadku korzystania z osłony przeciwdeszczowej należy zawsze pamiętać o sprawdzeniu wentylacji.
- ! Jeżeli osłona przeciwdeszczowa nie jest wykorzystywana należy pamiętać o jej wyczyszczeniu i wysuszeniu przed złożeniem.
- ! Nie wolno składać wózka z założoną osłoną przeciwdeszczową.
- ! W przypadku upalnej pogody nie wolno wkładać dziecka do wózka z założoną osłoną przeciwdeszczową.

Używanie z systemem przytrzymującym dla niemowląt

Patrz rysunki 45 - 49

Podczas używania z systemem przytrzymującym dla niemowląt Joie i-Gemm 2 & i-Level & i-Snug należy się stosować do poniższych instrukcji.

- ! Dźwięk „kliknięcia” oznacza, że adapter jest całkowicie zablokowany.

- ! Kąt podtrzymywania nosidełka dla niemowlęcia można regulować z użyciem naszych regulowanych adapterów. 47
- ! Adapter ma 3 pozycje. Produktu nie należy używać, gdy po założeniu systemu podtrzymującego dla niemowląt, główka dziecka znajduje się niżej niż stopy.
- ! W przypadku problemów dotyczących używania systemów przytrzymujących dla niemowląt, należy sprawdzić ich pod ręczniki.
- ! Nie należy składać wózka dziecięcego, gdy system przytrzymujący dla niemowląt jest nadal zamontowany.

Używanie z gondolą Joie

Patrz rysunki 50 - 53

Podczas używania ze spacerówką z gondolą Joie, należy stosować się do poniższych instrukcji.

- ! W przypadku problemów dotyczących używania gondoli, należy sprawdzić jej instrukcję.
- ! Produktu nie należy używać, gdy po założeniu gondoli, główka dziecka znajduje się niżej niż stopy.
- ! Podczas korzystania z fotelika transportowego należy zawsze korzystać z materaca.
- ! Nie należy składanie wózka, gdy jest założona torbą do noszenia niemowlęcia.

Używanie wkładki

Patrz rysunki 54 - 55

Odłączanie i montaż miękkich elementów

Patrz rysunki 56 - 64

1. Usunąć wspornik ramion, jak pokazano na rysunku 12
2. Otwórz sprzączkę na dolnej części siedzenia. 56

Aby ponownie zamontować miękkie elementy siedzenia, wykonaj podane wyżej czynności w kolejności odwrotnej 64 - 56

Czyszczenie i konserwacja

patrz rysunki 65

- ! Do czyszczenia ramy wózka wolno stosować jedynie mydło domowe i ciepłą wodę. Nie wolno stosować środków wybielających ani detergentów. Instrukcja czyszczenia części wózka wykonanych z tkaniny znajduje się na etykiecie dotyczącej konserwacji.
- ! Wyjmowane miękkie elementy można prać w pralce. Nie wolno stosować środków wybielających. Nie należy skręcać z wielką siłą pokrowca siedzenia i obicia wewnętrznego w celu wysuszenia. Może to spowodować zagniecenia na pokrowcu siedzenia i na obiciu wewnętrznym.
- ! Od czasu do czasu sprawdzić, czy w wózku nie ma poluzowanych wkrętów, zużytych części, rozdartego materiału lub szwów. Naprawić lub wymienić części w razie potrzeby. Okresowo przecierać elementy z tworzywa sztucznego miękką wilgotną ściereczką. Jeżeli doszło do kontaktu wózka z wodą, zawsze należy wysuszyć części metalowe, celem zapobieżenia tworzeniu się rdzy.
- ! Nadmierna ekspozycja na słońce lub ciepło może spowodować fałdowanie lub wyginanie się części.
- ! Jeżeli wózek ulegnie zamoczeniu, otworzyć daszek i wysuszyć go dokładnie przed dalszym przechowywaniem.
- ! Jeżeli kółka skrzypią użyć delikatnego oleju (np. aerozolu silikonowego, środka przeciwrzdzewnego lub oleju do maszyn do szycia). Ważne jest wprowadzenie oleju między oś a koło. 65
- ! W przypadku korzystania z wózka na plaży lub w innych zapiaaszczonych/zapyłonych środowiskach, dokładnie oczyścić wózek po użyciu, w celu usunięcia piasku i soli z mechanizmów oraz zespołów kół.

CZ Vítá vás značka Joie™

Blahopřejeme vám - stali jste se členy rodiny Joie! Jsme nadšeni, že můžeme doprovázet vaše dítě na cestě. Při cestování s kočárkem Joie aeria používáte kvalitní, plně certifikovaný kočárek schválený evropskými bezpečnostními normami EN 1888-2:2018. Tento produkt je vhodný pro děti do 22 kg nebo do 4 let (podle toho, co nastane dříve). Pozorně si přečtěte tento návod. Jeho dodržováním zajistíte pohodlnou jízdu a maximální ochranu svého dítěte.

DŮLEŽITÉ - POKYNY SI POZORNĚ PŘEČTĚTE A USCHOVEJTE PRO POZDĚJŠÍ POUŽITÍ.

Pro stažení návodů a více podrobností o vzrušujících výrobcích Joie nás navštivte na joiebaby.com!

Informace o záruce najdete na našem webu joiebaby.com

Obsah

Obrázky	1-12
UPOZORNĚNÍ	145
Sestavení kočárku	148
Rozložený kočárek	148
Montáž a sejmutí předního kolečka	148
Montáž a sejmutí zadního kolečka	148
Montáž stříšky	148
Montáž a sejmutí opěrky rukou	148

Používání kočárku	149
Úprava opěráku	149
Použití spony	149
Použití ramenního postroje a postroje do pasu	150
Úprava opěrky nohou	150
Použití zámku natáčení předních koleček	151
Použití brzdy	151
Použití stříšky	151
Úprava držadla	151
Úprava výšky sedačky	151
Otočení sedačky	152
Používání úložného košíku	152
Složení kočárku	152
Použití příslušenství	153
Sejmutí a montáž látkových částí	154
Čištění a údržba	156

Stav nouze

V případě ohrožení nebo úrazu je nejdůležitější poskytnout vašemu dítěti okamžité ošetření a následnou lékařskou pomoc.

Informace o produktu

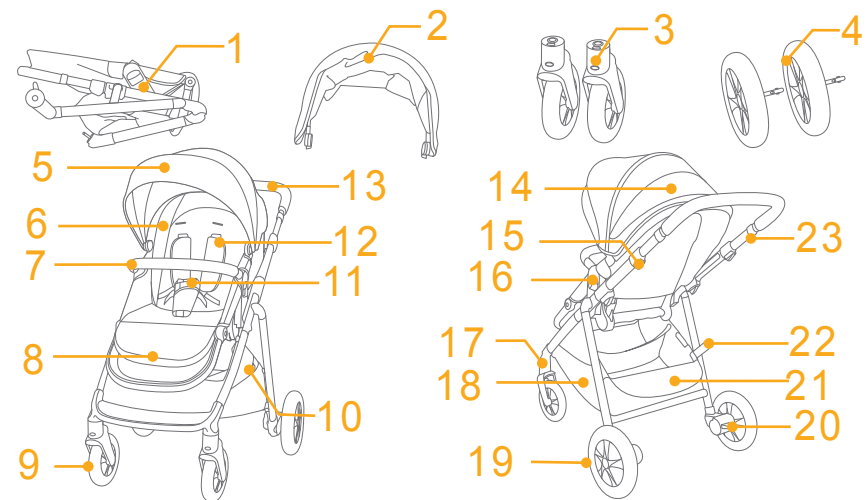
Před použitím výrobku si přečtěte všechny pokyny v tomto návodu. Máte-li další dotazy, kontaktujte prosím prodejce. Některé funkce se mohou lišit v závislosti na modelu.

Produkt	Kočárek Aeria
Vhodné pro	děti do hmotnosti 22 kg nebo věku 4 let (podle toho, co nastane dříve).
Materiály	Plasty, kov, textilie
Č. patentu	Čeká na udělení patentu
Vyrobeno v	Čína
Značka	Joie
Webová stránka	www.joiebaby.com
Výrobce	Allison GmbH

Seznam dílů

Před sestavením se ujistěte, že nechybí žádné součásti. V případě, že některá součást chybí, kontaktujte prodejce. K sestavení nejsou zapotřebí žádné nástroje.

- | | | | |
|----|-----------------|----|-----------------------------|
| 1 | Rám kočárku | 13 | Rukojeť |
| 2 | Stříška | 14 | Okénko ve stříšce |
| 3 | Přední kolečko | 15 | Tlačítko rozložení |
| 4 | Zadní kolečko | 16 | Tlačítko uvolnění sedátka |
| 5 | Stříška | 17 | Zámek natáčení koleček |
| 6 | Vložka sedačky | 18 | Úložná kapsa A |
| 7 | Opěrka rukou | 19 | Zadní kolečko |
| 8 | Operka nohou | 20 | Páčka brzd |
| 9 | Přední kolečko | 21 | Úložná kapsa B |
| 10 | Úložný košík | 22 | Úložná západka |
| 11 | Přezka | 23 | Tlačítko nastavení rukojeti |
| 12 | Ramenní postroj | | |

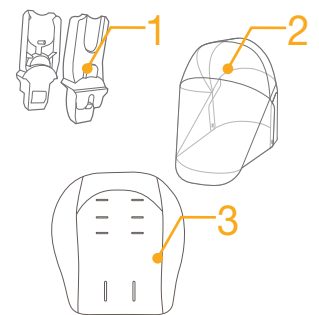


Příslušenství

(Nemusí být součástí)

- 1 Adaptér (u vybraných modelů)
- 2 Pláštěnka (u vybraných modelů)
- 3 Vložka (u vybraných modelů)

Příslušenství se může prodávat zvlášť nebo nemusí být k dispozici v závislosti na regionu.



UPOZORNĚNÍ

- ! UPOZORNĚNÍ Vždy používejte zádržný systém. Je nezbytné správně používat bezpečnostní pásy a zádržné systémy.
- ! UPOZORNĚNÍ Před použitím si ověřte, že jsou všechny zajišťovací prvky zaklesnuty.
- ! UPOZORNĚNÍ Tento výrobek není hračka. Nedovolte dítěti, aby si s tímto výrobkem hrálo.
- ! UPOZORNĚNÍ Před použitím zkontrolujte, zda jsou připevňovací zařízení lůžka nebo sedačky nebo autosedačky správně zaklesnuta.
- ! Sestavení smí provést pouze dospělá osoba.
- ! Tento produkt je vhodný pro děti do 22 kg nebo do 4 let (podle toho, co nastane dříve).
- ! Aby se zabránilo nebezpečné a nestabilní situaci, neumísťujte do úložného košíku více než 4,5 kg.
- ! Nikdy nenechávejte dítě bez dozoru. Když je vaše dítě v kočárku, mějte jej vždy na očích.
- ! Na tomto kočárku převázejte pouze jedno dítě najednou. V žádném případě neumísťujte peněženky, nákupní tašky, balíky nebo příslušenství na držadlo nebo stříšku.
- ! Je zakázáno používat příslušenství, které nebylo schváleno výrobcem. Je dovoleno používat pouze náhradní díly, které byly dodány nebo doporučeny výrobcem.
- ! Přetěžování, nesprávné rozkládání nebo používání dílů jiných výrobců může způsobit poškození, rozbití nebo omezení bezpečnosti kočárku. Pozorně si přečtěte návod k použití.
- ! Před použitím tohoto výrobku si přečtěte všechny pokyny v tomto návodu. Uchovejte si tento návod pro budoucí použití. Nedodržení těchto výstrah a pokynů může vést k vážnému poranění nebo smrti.
- ! Aby se zabránilo pádu nebo vyklouznutí a vážnému zranění, vždy používejte bezpečnostní pás.
- ! Při nastavování kočárku zajistěte, aby se vaše dítě

nacházelo mimo dosah pohyblivých částí.

- ! Než dítě pustíte ke kočárku, ujistěte se, že kočárek je zcela otevřený nebo rozložen.
- ! V případě nepoužití postroje může dítě sklouznout do otvorů pro nohy a zamotat se.
- ! V žádném případě nepoužívejte tento kočárek na schodech nebo eskalátorech.
- ! Uchovávejte mimo dosah předmětů o vysoké teplotě, kapalin a elektroniky.
- ! V žádném případě nedovolte svému dítěti, aby si na kočárku stoupalo nebo aby sedělo na kočárku hlavou dopředu.
- ! V žádném případě neumísťujte kočárek na silnice, svahy nebo nebezpečná místa.
- ! Aby se zabránilo uškrcení, NEUMÍSŤUJTE předměty s provázky okolo krku dítěte, nezavěšujte provázky z tohoto výrobku ani nepřivazujte provázky k hračkám.
- ! Jakákoli zátěž připevněná na držadlo a/nebo na zadní stranu opěráku a/nebo na boční strany vozidla sníží jeho stabilitu.
- ! NEZVEDEJTE kočárek, pokud je dítě v kočárku.
- ! NEVOZTE dítě v úložném košíku.
- ! Aby se zabránilo převrácení, v žádném případě nedovolte dítěti, aby na kočárek šplhalo. Při vkládání a vyjímání z kočárku dítě vždy zvedněte.
- ! Aby se zabránilo skřípnutí prstů, postupujte při rozkládání a skládání kočárku opatrně.
- ! Při skládání a rozkládání tohoto výrobku zajistěte, aby dítě nebylo v kočárku ani poblíž a nemohlo dojít k poranění dítěte.
- ! Aby byla zajištěna bezpečnost vašeho dítěte, před použitím kočárku zkontrolujte, zda jsou všechny díly řádně sestaveny a zajištěny.
- ! Aby se zabránilo uškrcení, zajistěte, aby vaše dítě bylo mimo dosah stříšky.
- ! Při parkování kočárku vždy použijte brzdy.
- ! Pokud je některá část kočárku poškozená, nebo chybí, přestaňte kočárek používat.

- ! Tento kočárek lze používat pouze při rychlosti chůze. Tento výrobek není určen pro použití při kondičním běhání.
- ! Před používáním tohoto výrobku odstraňte igelitový sáček a obalové materiály, aby se zabránilo udušení. Igelitový sáček a obalové materiály je třeba uchovávat mimo dosah novorozenců a dětí.
- ! Tento výrobek není vhodný pro běhání nebo jízdu na bruslích.
- ! Tento kočárek je určen pro používání od narození. Při použití sportovního kočárku pro novorozence používejte co nejvíce sklopenou polohu zádové opěrky.
- ! Při vkládání nebo vyjímání dětí musí být aktivováno parkovací zařízení.
- ! Používáte-li zádržný systém pro novorozence v kombinaci s podvozkem, tento kočárek nenahrazuje postýlku ani lůžko. Když vaše dítě potřebuje spát, uložte jej do vhodné hluboké korby, postýlky nebo na vhodné lůžko.
- ! Přestaňte používat hlubokou korbu, jakmile dítě dokáže samo sedět, otočit se a samo se zvedat na ruce a kolena. Maximální hmotnost dítěte: 9 kg.
- ! NEPOUŽÍVEJTE ani nepřidávejte jinou matraci, než byla dodána s touto hlubokou korbou.
- ! Nepřipevňujte žádné předměty k držadlu, sedátku ani boční strany kočárku. Jakákoli další zátěž ovlivní stabilitu kočárku a mohlo by dojít k naklonění kočárku.
- ! Není-li doporučeno výrobcem, nepřidávejte žádnou další matraci.
- ! Neskládejte rám se sedačkou nasazenou proti směru jízdy.

Sestavení kočárku

(Řiďte se prosím obrázky na straně 1-12)

Před montáží a použitím tohoto výrobku si přečtěte všechny pokyny v tomto návodu.

Rozložený kočárek

viz obrázky ① - ③

Oddělte úložnou západku od úložného držáku ① a potom zvedněte rukojeť nahoru ②. Jakmile se ozve cvaknutí, kočárek je zcela rozložený.

! Stiskněte opěrku chodidel dolů a srovnejte ji. ③ - 1

! Zapněte knoflík pod opěrkou nohou. ③ - 2

! Než budete pokračovat, zkontrolujte, zda je kočárek zcela zajištěný západkami

Montáž a sejmutí předního kolečka

viz obrázky ④ - ⑤

Montáž a sejmutí zadního kolečka

viz obrázky ⑥ - ⑧

Montáž stříšky

viz obrázky ⑨ - ⑩

Montáž a sejmutí opěrky rukou

viz obrázky ⑪ - ⑫

Zcela sestavený kočárek je zobrazen na obrázku ⑬

Používání kočárku

Úprava opěráku

viz obrázky 14 - 15

K dispozici je 5 poloh sklonu opěráku.

Sklopení opěráku

Pro náklon opěráku sevřete rukojeť náklonu na zadní straně sedačky a zatlačte na opěrák směrem dolů. 14

Zvednutí opěráku

Chcete-li opěrák zvednout, zatlačte jej nahoru. 15

! Ujistěte se, že náklon je řádně nastaven pro použití.

! Maximální zatížení úložné kapsy na zadní straně opěráku je 0,45 kg.

Použití spony

viz obrázky 16 - 17

Uvolnění spony

Stisknutím tlačítka se spona automaticky rozepe. 16

Zámek spony

Srovnejte sponu bederního pásu se sponou ramenního pásu 17 - 1 a zarovnejte je se středovou sponou. Spona se může zajistit automaticky. 17 - 2 Jakmile se ozve „cvaknutí“, znamená to, že spona je zcela zajištěná. 17 - 3

! Aby se zabránilo pádu nebo vyklouznutí a vážnému zranění, vždy zajistěte své dítě postrojem.

! Ujistěte se, že dítě je pohodlně zajištěno. Mezi dítětem a ramenním postrojem musí být prostor přibližně na tloušťku jedné ruky.

! Nekřížte ramenní pásy. Tím se vytváří tlak na krk dítěte.

Použití ramenního postroje a postroje do pasu

viz obrázky 18 - 21

! Abyste vaše dítě ochránili před vypadnutím, po usazení dítěte do sedačky zkontrolujte, zda jsou ramenní a bederní postroj ve správné výšce a délce.

18 - 1 Kotva ramenního postroje

18 - 2 Posuvný regulátor

Pro větší dítě použijte kotvu ramenního postroje a nejvyšší ramenní sloty. Pro menší dítě použijte kotvu ramenního postroje a nejnižší ramenní sloty.

! Poloha kotvy ramenního pásu může být nastavena od horního otvoru, který se uzavírá pomocí zipů nebo pod kapsou. 19 - 1

Pro úpravu pozice kotvy ramenního postroje otočte kotvu tak, aby byla v rovině s boční stranou směřující dopředu.

Protáhněte ji slotem ramenního postroje zezadu dopředu. 19
Znovu ji protáhněte slotem, který je nejbližší výšce ramene dítěte. 20

Pro změnu délky postroje použijte posuvný regulátor. 21 - 1

Stiskněte tlačítko 21 - 2 a zároveň vytáhněte bederní postroj na správnou délku. 21 - 3

Úprava opěrky nohou

viz obrázky 22 - 23

Opěrka nohou má 2 polohy.

Pro zvednutí opěrky nohou ji zatlačte směrem nahoru. 22
Jakmile se ozve „cvaknutí“, znamená to, že opěrka je zcela zajištěná.

Pro snížení opěrky nohou stiskněte nastavovací tlačítko na obou stranách opěrky nohou 23 - 1 a otočte opěrku nohou směrem dolů. 23 - 2

Použití zámku natáčení předních koleček

viz obrázky 24

Stav zamknutí/odemknutí předních koleček viz 24.

Tip Na nerovném povrchu doporučujeme zablokovat natáčení koleček.

Použití brzdy

viz obrázky 25 - 26

Pro zajištění koleček stlačte páčku brzdy směrem dolů. 25

Pro uvolnění koleček stačí zvednout páčku brzdy směrem nahoru. 26

Tip Když zastavíte, vždy použijte parkovací brzdou.

Použití stříšky

viz obrázky 27 - 28

Stříška může být rozložená nebo složená, zatáhněte dopředu nebo dozadu.

Stříšku lze zcela otevřít pro extrémní ochranu vašeho dítěte před sluncem, stačí rozepnout zip 27 a stáhnout stříšku dopředu.

Ve stříšce je okénko, kterým můžete své dítě sledovat. 28

Úprava držadla

viz obrázky 29

Rukojeť má 4 polohy.

Úprava výšky sedačky

viz obrázky 30 - 31

Sedačka má 4 polohy.

Potažením sedačky nahoru zvětšíte výšku sedačky. 30

Stiskněte tlačítka nastavení výšky sedačky a potáhněte nahoru. Potom zatlačením dolů zmenšíte výšku sedačky. 31

Otočení sedačky

viz obrázky 32 - 38

Sedačku lze otočit, což umožňuje, aby bylo dítě otočené k matce.

Sevřete uvolňovací tlačítka sedátka a zvedněte sedátko nahoru. Otočte sedátko do opačného směru a potom zasuňte sedátko do držáků.

Oba držáky sedátka musí být vyrovnány jako na obrázku 33. Dojde-li k situaci 34 & 35, stiskněte tlačítko pro nastavení výšky sedátka a vytáhněte jej nahoru. Potom zatlačením dolů zmenšíte výšku sedátka, aby byly oba držáky sedátka vodorovně. 36

Používání úložného košíku

viz obrázky 39

Rozepnutím knoflíků v košíku můžete zvětšit jeho objem. 39 - 1

Maximální zatížení každé úložné kapsy A na obou stranách košíku je 0,45 kg.

Aby se zabránilo nebezpečí a porušení stability, neumísťujte do úložného košíku a úložné tašky B více než 4,5kg.

Složení kočárku

viz obrázky 40 - 43

! Před složením kočárku složte stříšku.

Stiskněte tlačítko skládání a přitáhněte jej nahoru, 40 potom otočte rukojeť dolů, 41 skládací západka se může automaticky zajistit. 42

- ! Pokud je sedátko ve spodní poloze, může při skládání kočárku sklouznout dolů tak, aby se automaticky zajistila skládací západka.
- ! Neskládejte rám se sedačkou nasazenou proti směru jízdy. **43**
- ! Neskládejte rám, když je zablokováno otáčení předních koleček.
- ! Kočárek se sedačkou v orientaci po směru jízdy může stát, když je držadlo v nejvyšší pozici.

Použití příslušenství

Příslušenství se může prodávat zvlášť nebo nemusí být k dispozici v závislosti na regionu.

Použití pláštěnky

viz obrázky **44**

Pláštěnku nasadte přes sedačku.

- ! Při použití pláštěnky prosím vždy zkontrolujte její ventilaci.
- ! Před rozložením vždy zkontrolujte, zda byla pláštěnka očištěna a je suchá.
- ! Neskládejte kočárek s nasazenou pláštěnkou.
- ! V horkém počasí neumísťujte dítě do kočárku s nasazenou pláštěnkou.

Použití zádržného systému pro novorozence

viz obrázky **45** - **49**

Při použití se zádržným systémem Joie i-Gemm 2 & i-Level & i-Snug pro novorozence si prosím přečtěte následující pokyny.

- ! Jakmile se ozve „cvaknutí“, znamená to, že adaptér je zcela zajištěný.

- ! Úhel zádržného systému pro novorozence lze upravit s použitím našich stavitelných adaptérů. **47**
- ! Adaptér má 3 polohy. Nepoužívejte produkt, pokud je hlava dítěte po připevnění zádržného systému pro novorozence níže, než nohy.
- ! Máte-li problémy s použitím dětské autosedačky, přečtěte si prosím její vlastní pokyny k použití.
- ! Neskládejte kočárek s nasazenou dětskou autosedačkou.

Použití s hlubokou korbou Joie

viz obrázky **50** - **53**

Při použití s hlubokou korbou Joie ramble a ramble xl si prosím přečtěte následující pokyny.

- ! Máte-li problémy s použitím hluboké korby, přečtěte si prosím příslušný návod k použití.
- ! Nepoužívejte produkt, pokud je hlava dítěte po připevnění hluboké korby níže, než nohy.
- ! S hlubokou korbou vždy používejte matraci.
- ! Neskládejte kočárek s nasazenou hlubokou korbou.

Použití vložky

viz obrázky **54** - **55**

Sejmutí a montáž látkových částí

viz obrázky 56 - 64

1. Odstraňte opěrku rukou, jak je znázorněno na 12
2. Rozepněte přezku na dolní straně sedátka. 56

Při nasazování látkových částí sedačky provádějte výše uvedené kroky v opačném pořadí 64 - 56

Čištění a údržba

viz obrázky 65

- ! K čištění rámu kočárku použijte pouze běžné mýdlo a teplou vodu. Nepoužívejte bělidlo ani detergent. Pokyny pro čištění textilních částí kočárku najdete na štítku s pokyny pro péči a údržbu.
- ! Snímatelné látkové části lze prát v pračce. Nebělit. Potah sedačky ani vnitřní polstrování neždímejte pro rychlejší schnutí. Mohlo by to na potahu sedačky nebo na vnitřním polstrování zanechat záhyby.
- ! Pravidelně kontrolujte stav opotřebení součástí a případné uvolněné šrouby, potrhání materiálu nebo švů výrobku. Poškozené součásti podle potřeby vyměňte nebo opravte. Pravidelně čistěte plastové části měkkým vlhkým hadříkem. Kovové části vždy osušte, abyste zabránili tvorbě rzi, pokud kočárek přišel do kontaktu s vodou.
- ! Nadměrné vystavení slunci nebo teple může způsobit blednutí nebo deformování dílů.
- ! Pokud kočárek navlhne, otevřete stříšku a před uložením ho nechte důkladně oschnout.
- ! Pokud kolečka skřípají, použijte lehký olej (např. silikonový sprej, antikorozní olej nebo olej na šicí stroje). Je důležité namazat olejem nápravu koleček. 65
- ! Při použití kočárku na pláži nebo v jiném písčitém/prašném prostředí kočárek po použití zcela vyčistěte, abyste odstranili písek a sůl z mechanismů a nápravy koleček.

SK Vitajte v rodine Joie™

Blahoželáme k tomu, že ste sa stali súčasťou rodiny Joie! Sme nadšení, že sme súčasťou vašej cesty s vašim dieťaťom. Pri cestovaní s Joie aeria používate kvalitný, plne certifikovaný kočík, schválený podľa európskych bezpečnostných noriem STN EN 1888-2:2018. Tento výrobok je vhodný pre deti od narodenia do 22 kg alebo 4 rokov, podľa toho, čo nastane skôr. Pozorne si prečítajte túto príručku a dodržiavajte všetky kroky na zabezpečenie pohodlnej jazdy a čo najlepšej ochrany svojho dieťaťa.

DÔLEŽITÉ - PRED POUŽITÍM PREČÍTAJTE POZORNE TENTO NÁVOD A USCHOVEJTE HO PRE BUDÚCU POTREBU.

Navštívte nás na joiebaby.com, kde si môžete stiahnuť manuály a pozrieť ďalšie zaujímavé výrobky spoločnosti Joie!

Informácie o záruke nájdete na našej webovej stránke joiebaby.com

Obsah

Obrázky	1 - 12
UPOZORNENIE	161
Zostavenie kočíka	164
Rozloženie kočíka	164
Zostavenie a odpojenie predného kolesa	164
Zostavenie a odpojenie zadného kolesa	164
Zostavenie plátennej striešky	164
Zostavenie a odpojenie držadla	164

Prevádzka kočíka	165
Nastavenie operadla	165
Použitie spony	165
Použitie ramenných a bedrových popruhov	166
Nastavenie lýtkovej opierky	166
Použitie predného zámku otáčania	167
Použitie brzdy	167
Použitie plátennej striešky	167
Nastavenie rukoväte	167
Nastavenie výšky sedačky	167
Zmena orientácie sedačky	168
Použitie úložného košíka	168
Zloženie kočíka	168
Použitie príslušenstva	169

Odpojenie a zostavenie mäkkých textílií	170
--	------------

Čistenie a údržba	172
--------------------------	------------

Núdzová situácia

V prípade mimoriadnej udalosti alebo nehody je najdôležitejšie, aby bolo o vaše dieťa ihneď postarané v rámci prvej pomoci a lekárskeho ošetrovania.

Informácie o výrobku

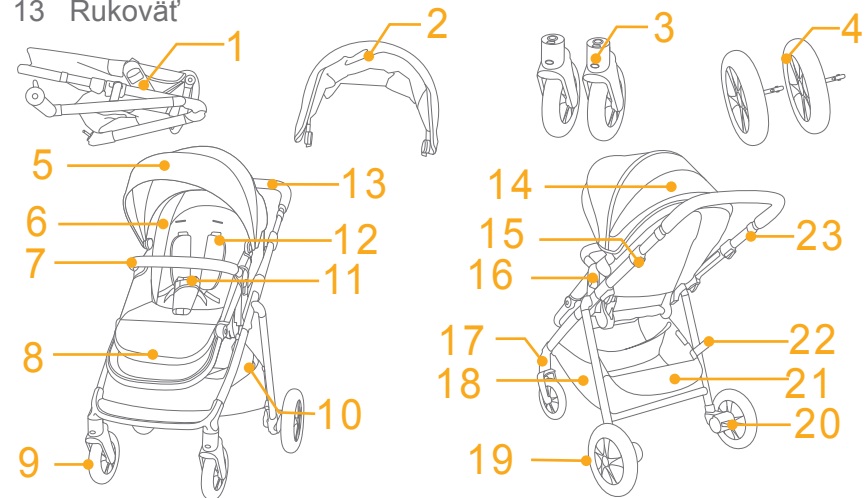
Pred používaním tohto výrobku si prečítajte všetky pokyny, ktoré sú v tejto príručke uvedené. V prípade akýchkoľvek ďalších otázok sa obráťte na predajcu. Niektoré funkcie sa môžu líšiť v závislosti od modelu.

Výrobok	Kočík Aeria
Vhodný	pre deti od narodenia do 22 kg alebo 4 rokov, podľa toho, čo nastane skôr.
Materiály	Plast, kov, textil
Patent č.	Patentová prihláška sa prerokúva
Vyrobené v	Číne
Názov značky	Joie
Webová stránka	www.joiebaby.com
Výrobca	Allison GmbH

Zoznam jednotlivých častí

Pred zostavením skontrolujte, či máte všetky časti. Ak chýba ktorákoľvek časť, obráťte sa na miestneho predajcu. Na zostavenie nie sú potrebné žiadne nástroje.

- | | | | |
|----|-------------------|----|---------------------------------|
| 1 | Rám kočíka | 14 | Otvor plátennej striešky |
| 2 | Plátenná strieška | 15 | Skladacie tlačidlo |
| 3 | Predné koleso | 16 | Uvoľňovacie tlačidlo sedačky |
| 4 | Zadné koleso | 17 | Zámok otáčania |
| 5 | Plátenná strieška | 18 | Odkladacie vrečko A |
| 6 | Čalúnenie sedačky | 19 | Zadné koleso |
| 7 | Držadlo | 20 | Brzdová páčka |
| 8 | Lýtková opierka | 21 | Odkladacie vrečko B |
| 9 | Predné koleso | 22 | Západka úložného priestoru |
| 10 | Úložný košík | 23 | Tlačidlo na nastavenie rukoväte |
| 11 | Spona | | |
| 12 | Ramenné popruhy | | |
| 13 | Rukoväť | | |

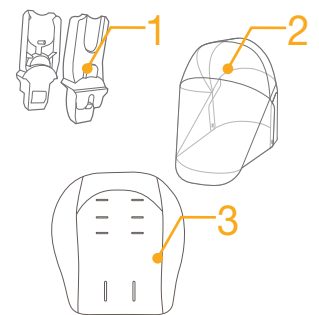


Príslušenstvo

(nemusí byť zahrnuté)

- 1 Adaptér (na niektorých modeloch)
- 2 Pláštenka (na niektorých modeloch)
- 3 Vložka (na niektorých modeloch)

Príslušenstvo sa môže predávať samostatne alebo nemusí byť k dispozícii v závislosti od oblasti.



UPOZORNENIE

- ! UPOZORNENIE Používajte vždy upevňovací systém. Bezpečnostné pásy a zadržiavacie systémy sa musia používať správne.
- ! UPOZORNENIE Pred používaním sa uistite, že všetky zaisťovacie zariadenia sú zaistené.
- ! UPOZORNENIE Tento výrobok nie je hračka. Nenechajte dieťa hrať sa s týmto výrobkom.
- ! UPOZORNENIE Pred použitím skontrolujte, či sú správne pripevnené upevňovacie zariadenia kočiarika, sedačky alebo autosedačky.
- ! Montáž musia vykonať dospelé osoby.
- ! Tento výrobok je vhodný pre deti od narodenia do 22 kg alebo 4 rokov, podľa toho, čo nastane skôr.
- ! Aby ste predišli nebezpečným a nestabilným podmienkam, do úložného košíka neumiestňujte veci s hmotnosťou viac ako 4,5kg.
- ! Nikdy nenechajte dieťa bez dozoru. Vždy, keď je dieťa v kočíku, majte naň dobrý výhľad.
- ! Kočík používajte naraz len pre jedno dieťa. Nikdy nepokladajte na rukoväť ani textilnú striešku peňaženky, nákupné tašky, balíky alebo prvky príslušenstva.
- ! Príslušenstvo, ktoré nie je schválené výrobcom, sa nesmie používať. Musia sa používať len náhradné diely dodávané alebo odporúčané výrobcom.
- ! Preťaženie, nesprávne zloženie alebo používanie komponentov iných výrobcov môže spôsobiť, že sa kočík poškodí, zlomí alebo že nebude bezpečný. Pozorne si prečítajte návod na použitie.
- ! Pred používaním tohto výrobku si prečítajte všetky pokyny, ktoré sú v príručke uvedené. Tento návod na použitie uložte pre budúce použitie. Nedodržanie týchto výstrah a pokynov môže viesť k vážnemu poraneniu alebo smrti.
- ! Aby nedošlo k vážnemu zraneniu v dôsledku vypadnutia či vyklíznutia, vždy používajte bezpečnostný pás.

- ! Pri nastavovaní kočíka sa uistite, že je telo dieťaťa mimo pohyblivých častí.
- ! Skôr než necháte dieťa priblížiť sa ku kočíku, uistite sa, že je kočík úplne rozložený alebo zložený.
- ! Ak sa nepoužijú popruhy, dieťa môže vkĺznuť do otvorov pre nohy a uškrtiť sa.
- ! Nikdy nepoužívajte kočík na schodoch ani eskalátoroch.
- ! Udržiavajte mimo objektov s vysokou teplotou, tekutín a elektroniky.
- ! Nikdy nedovoľte, aby dieťa stálo na kočíku alebo v ňom sedelo hlavou smerujúcou k prednej časti kočíka.
- ! Nikdy nenechávajte kočík na cestách, svahoch alebo v nebezpečných oblastiach.
- ! Aby sa zabránilo uškrtenu, okolo krku dieťaťa NEUMIESTŇUJTE predmety so šnúrkami, šnúrky nenechajte visieť z tohto výrobku ani ich neuväzujte k hračkám.
- ! Akékoľvek zaťaženie pôsobiace na rukoväť a/alebo zadnú stranu operadla a/alebo na boky kočíka ovplyvní stabilitu kočíka.
- ! NEZDVÍHAJTE kočík, keď je v ňom dieťa.
- ! NEPOUŽÍVAJTE úložný košík ako nosič na dieťa.
- ! Aby ste predišli prevráteniu, nikdy nedovoľte, aby dieťa liezlo na kočík. Pri vkladaní dieťaťa do kočíka a vyberaní z neho ho vždy zdvihnite.
- ! Aby nedošlo k zachyteniu prstov, pri skladaní a rozkladaní kočíka buďte opatrní.
- ! Pri rozopínaní a zapínaní (rozkladaní a skladaní) sa uistite, že dieťa nie je v kočiariku, aby ste predišli prípadnému úrazu.
- ! Aby ste zaistili bezpečnosť dieťaťa, pred používaním kočíka skontrolujte, či sú všetky diely riadne zostavené a dotiahnuté.
- ! Aby sa zabránilo uškrtenu, uistite sa, že je dieťa mimo textilnej striešky.

- ! Pokiaľ nie je kočík v pohybe, vždy ho zabrzdite.
- ! Ak je niektorá časť kočíka poškodená, alebo chýba, prestaňte kočík používať.
- ! Kočík sa môže používať len pri rýchlosti chôdze. Tento výrobok nie je určený na používanie pri behaní.
- ! Aby ste predišli uduseniu, pred použitím tohto výrobku odstráňte plastové vrečko a obalové materiály. Plastové vrečko a obalové materiály sa potom musia uchovávať mimo dosahu detí.
- ! Tento výrobok nie je vhodný na behanie alebo korčuľovanie.
- ! Kočík je navrhnutý na používanie od narodenia a pre novo narodené deti sa odporúča používanie úplne sklopenej polohy zádovej opierky.
- ! Pri vkladaní a vyberaní detí sa musí aktivovať parkovacie zariadenie.
- ! Pre dojčenské detské autosedačky používané v spojení s rámom platí, že tento kočík nenahrádza korbu ani posteľ. Ak vaše dieťa potrebuje spať, malo by sa umiestniť do vhodného telesa kočíka, korby alebo postele.
- ! Hlboká korba sa nesmie používať, keď bude dieťa schopné samo sedieť, prevrátiť sa a samo sa vytlačiť na ruky a kolena. Maximálna hmotnosť dieťaťa: 9kg.
- ! NEPOUŽÍVAJTE ani nepridávajte žiadny iný matrac ako ten, ktorý sa dodáva s hlbokou korbou.
- ! Na rukoväť, operadlo sedadla ani boky kočíka nepripevňujte žiadne predmety. Akékoľvek dodatočné zaťaženie ovplyvní stabilitu kočíka a môže spôsobiť prevrátenie kočíka.
- ! Nesmie sa pridávať žiadny ďalší matrac, pokiaľ to neodporúča výrobca.
- ! Neskladajte rám, keď sedačka smeruje tvárou dozadu.
- ! Odstráňte všetky plastové obaly z dosahu detí, hrozí nebezpečenstvo udusenía.

Zostavenie kočíka

(Pozrite si obrázky na strane 1 - 12)

Pred zostavením a používaním tohto výrobku si prečítajte všetky pokyny, ktoré sú v tejto príručke uvedené.

Rozloženie kočíka

pozrite si obrázky ① - ③

Oddel'te západku úložného priestoru od držiaka úložného priestoru ① a potom zdvihnite rukoväť ②, zvuk „cvaknutia“ znamená, že je kočík úplne rozložený.

! Zatlačte nožnú opierku nadol a znova ju nastavte. ③ - 1

! Pripnite gombík pod lýtkovou opierkou. ③ - 2

! Pred pokračovaním v používaní skontrolujte, či sú západky na kočíku úplne zaistené.

Zostavenie a odpojenie predného kolesa

pozrite si obrázky ④ - ⑤

Zostavenie a odpojenie zadného kolesa

pozrite si obrázky ⑥ - ⑧

Zostavenie plátennej striešky

pozrite si obrázky ⑨ - ⑩

Zostavenie a odpojenie držadla

pozrite si obrázky ⑪ - ⑫

Úplne zostavený kočík je zobrazený na obrázku ⑬

Prevádzka kočíka

Nastavenie operadla

pozrite si obrázky 14 - 15

Operadlo má 5 uhlov sklonu.

Sklonenie operadla

Ak chcete skloniť operadlo, stlačte rukoväť sklonu na zadnej časti sedačky a potiahnite operadlo nadol. 14

Zvýšenie operadla

Ak chcete operadlo zvýšiť, zatlačte nahor. 15

! Skontrolujte, či je sklon nastavený správne pre používanie.

! Maximálne zaťaženie odkladacieho vrečka na zadnej strane operadla je 0,45 kg.

Použitie spony

pozrite si obrázky 16 - 17

Rozopnutie spony

Stlačte tlačidlo, spona sa uvoľní automaticky. 16

Zaistenie spony

Zrovnajte sponu bedrového pása s ramennou sponou 17 - 1 a zarovnajte ich so strednou sponou, spona sa dokáže zaistiť automaticky. 17 - 2 Zvuk „cvaknutia“ znamená, že je spona úplne zaistená. 17 - 3

! Aby ste predišli vážnemu poraneniu v dôsledku pádu alebo vyklznutia, vždy zaistite dieťa pomocou popruhov.

! Skontrolujte, či je dieťa pohodlne zaistené. Medzera medzi dieťaťom a ramennými popruhmi je široká asi na hrúbku jednej ruky.

! Neprekrížte ramenné pásy. Spôsobí to tlak na krk dieťaťa.

Použitie ramenných a bedrových popruhov

pozrite si obrázky 18 - 21

! Aby bolo vaše dieťa chránené pred vypadnutím, po umiestnení dieťaťa do sedadla skontrolujte, či sú ramenné a bedrové popruhy v správnej výške a či majú správnu dĺžku.

18 - 1 Kotva ramenného popruhu

18 - 2 Posuvný nastavovací prvok

Pri väčšom dieťati použite kotvu ramenného popruhu a najvyššie ramenné otvory. Pri menšom dieťati použite kotvu ramenného popruhu a najnižšie ramenné otvory.

! Polohu kotvy ramenného popruhu je možné nastaviť z horného otvoru, ktorý sa uzatvára pomocou upínačov alebo pod vrečkom. 19 - 1

Ak chcete upraviť polohu kotvy ramenného popruhu, otočte kotvu tak, aby bola v rovine so stranou smerujúcou dopredu. Prevlečte ju cez otvor ramenného popruhu zozadu dopredu. 19 Znova ju prevlečte cez otvor, ktorý je najbližšie k výške ramena dieťaťa. 20

Na zmenu dĺžky popruhov použite posuvný nastavovací prvok. 21 - 1

Stlačte tlačidlo 21 - 2 a zároveň potiahnite bedrové popruhy na správnu dĺžku. 21 - 3

Nastavenie lýtkovej opierky

pozrite si obrázky 22 - 23

Lýtková opierka má 2 polohy.

Ak chcete lýtkovú opierku zvýšiť, zatlačte ju dohora. 22 Zvuk „cvaknutia“ znamená, že je lýtková opierka úplne zaistená.

Ak chcete lýtkovú opierku znížiť, stlačte nastavovacie tlačidlá na oboch stranách lýtkovej opierky 23 - 1, a otočte lýtkovú opierku smerom nadol. 23 - 2

Použitie predného zámku otáčania

pozrite si obrázky 24

Zaistený alebo odistený stav predného kolesa, ako na obrázku 24.

Tip Na nerovných povrchoch sa odporúča použitie zámkov otáčania.

Použitie brzdy

pozrite si obrázky 25 - 26

Stúpením na brzdovú páčku v smere nadol zablokujete kolesá. 25

Ak chcete kolesá uvoľniť, zdvihnite brzdovú páčku dohora. 26

Tip Vždy, keď sa kočík nepohybuje, aktivujte brzdú.

Použitie plátennej striešky

pozrite si obrázky 27 - 28

Plátennú striešku možno roztiahnuť alebo zložiť, potiahnite ju dopredu alebo dozadu.

Plátennú striešku možno úplne rozložiť, aby čo najviac chránila dieťa pred slnkom, stačí rozopnúť zips 27 a potom vytiahnuť plátennú striešku smerom dopredu.

V plátennej strieške je priezor, cez ktorý môžete vidieť na dieťa. 28

Nastavenie rukoväte

pozrite si obrázky 29

Rukoväť má 4 polohy.

Nastavenie výšky sedačky

pozrite si obrázky 30 - 31

Sedačka má 4 polohy.

Potiahnutím sedačky zvýšite jej výšku. 30

Stlačte nastavovacie tlačidlá výšky sedačky a potiahnite nahor, potom zatlačte nadol, ak chcete výšku sedačky znížiť. 31

Zmena orientácie sedačky

pozrite si obrázky 32 - 38

Orientáciu sedačky možno zmeniť, čo umožní, že matka s dieťaťom budú tvárou v tvár.

Stlačte uvoľňovacie tlačidlá sedačky a pritom nadvihnite sedačku. Otočte sedačku do opačného smeru a potom vložte sedačku do držiakov sedačky.

Oba držiaky sedačky musia byť vodorovne, ako je zobrazené na 33, ak nastanú situácie zobrazené na 34 a 35, stlačte nastavovacie tlačidlá výšky sedačky a potiahnite nahor, potom zatlačte nadol na zníženie výšky sedačky, aby ste sa uistili, že sú oba držiaky sedačky vyrovnané. 36

Použitie úložného košíka

pozrite si obrázky 39

Odpojením gombíkov v košíku zväčšíte priestor košíka. 39 - 1

Maximálne zaťaženie každého odkladacieho vrečka A na oboch stranách košíka je 0,45 kg.

Aby ste predišli nebezpečným a nestabilným podmienkam, neumiestňujte do úložného košíka a úložného vrečka B viac ako 4,5 kg.

Zloženie kočíka

pozrite si obrázky 40 - 43

! Pred zložením kočíka zložte plátennú striešku.

Stlačte skladacie tlačidlo a potiahnite 40 dohora, potom otočte rukoväť nadol, 41 skladacia západka sa dokáže zaistiť automaticky. 42

- ! Ak je sedačka v dolnej polohe, môže sa počas skladania kočíka zasunúť nadol a zaistiť tak automatické zaistenie západky.
- ! Neskladajte rám, keď sedačka smeruje tvárou dozadu. 43
- ! Ak je zámok otáčania predného kolesa zaistený, neskladajte rám.
- ! Kočík so sedačkou smerujúcou tvárou dopredu môže stáť, keď je rukoväť v najvyššej polohe.

Použitie príslušenstva

Príslušenstvo sa môže predávať samostatne alebo nemusí byť k dispozícii v závislosti od oblasti.

Použitie pláštenky

pozrite si obrázok 44

Ak chcete zostaviť pláštenku, umiestnite ju nad sedačku.

- ! Pri používaní pláštenky vždy skontrolujte vetranie.
- ! Keď sa nepoužíva, pred zložením skontrolujte, či je pláštenka vyčistená a vysušená.
- ! Neskladajte kočík s nasadenou pláštenkou.
- ! V horúcom počasí nedávajte svoje dieťa do kočíka s nasadenou pláštenkou.

Použitie s dojčenskou detskou autosedačkou

pozrite si obrázky 45 - 49

Pri použití s dojčenskou detskou autosedačkou Joie i-Gemm 2 & i-Level & i-Snug si pozrite nasledujúce pokyny.

- ! Zvuk „cvaknutia“ znamená, že je adaptér úplne zaistený.

- ! Uhol dojčenskej detskej autosedačky možno nastaviť pomocou našich nastaviteľných adaptérov. 47
- ! Adaptér má 3 polohy. Nepoužívajte výrobok, ak je hlava dieťaťa po pripevnení dojčenskej detskej autosedačky nižšie ako nohy.
- ! Pri akýchkoľvek problémoch s používaním dojčenskej detskej autosedačky si pozrite jej návod na použitie.
- ! Neskladajte kočík so stále pripevnenou dojčenskou detskou autosedačkou.

Použitie s hlbokou korbou Joie

pozrite si obrázky 50 - 53

Pri použití s hlbokou korbou Joie ramble a ramble xl si pozrite nasledujúce pokyny.

- ! Pri akýchkoľvek problémoch s používaním hlbokkej korby si pozrite jej návod na použitie.
- ! Nepoužívajte výrobok, ak je hlava dieťaťa po pripevnení hlbokkej korby nižšie ako nohy.
- ! Pri používaní hlbokkej korby vždy používajte matrac.
- ! Pri pripájaní hlbokkej korby neskladajte kočík.

Použitie vložky

pozrite si obrázky 54 - 55

Odpojenie a zostavenie mäkkých textílií

pozrite si obrázky 56 - 64

1. Odmontovanie držadla je zobrazené ako 12
2. Rozopnite sponu, ktorá je na spodnej časti sedačky. 56

Ak chcete znova zostaviť mäkké textílie, postupujte podľa vyššie uvedených krokov v opačnom poradí 64 - 56

Čistenie a údržba

pozrite si obrázok 65

- ! Na čistenie rámu kočíka používajte len domáce mydlo a teplú vodu. Žiadne bielidlo ani čistiaci prostriedok. Pokyny na čistenie textilných častí kočíka nájdete na štítku s návodom na ošetrovanie.
- ! Odnímateľné mäkké textílie možno prať v práčke. Nepoužívajte bielidlo. Neskrúcajte kryt sedačky ani vnútorné čalúnenie veľkou silou, aby ste ich vysušili. Mohlo by to na potahu sedačky a čalúnení zanechať zvrásnenie.
- ! Občas skontrolujte, či na kočíku nie sú povolené skrutky, opotrebované súčasti, roztrhnutý alebo rozpáraný materiál. Tieto súčasti vymeňte alebo opravte. Pravidelne utierajte plastové časti dočista mäkkou navlhčenou handričkou. Vždy osušte kovové časti, aby sa zabránilo tvorbe hrdze, ak sa kočík dostal do styku s vodou.
- ! Nadmerné vystavenie slnečnému žiareniu alebo teplu môže spôsobiť vyblednutie alebo deformáciu častí.
- ! Ak je kočík vlhký, rozťahnite plátennú striešku a nechajte ho pred uskladnením dôkladne vysušiť.
- ! Ak kolesá pískajú, použite jemný olej (napr. silikónový sprej, antikoróznny olej alebo olej do šijacieho stroja). Je dôležité, aby sa olej dostal do zostavy osky a kolesa. 65
- ! Pri používaní kočíka na pláži alebo v iných piesočnatých/prašných prostrediach ho po použití úplne vyčistite, aby ste odstránili piesok a soľ z mechanizmov a zostáv kolies.

Čestitamo vam što ste postali član obitelji Joie! I mi smo uzbuđeni što možemo postati dijelom vašeg putovanja uz vašeg mališana. Dok tijekom putovanja koristite Joie aeria uživat ćete u visokokvalitetnim, potpuno certificiranim dječjim kolicima odobrenim prema europskim normama o sigurnosti EN 1888-2:2018. Ovaj proizvod prikladan je za djecu od rođenja do težine 22 kg ili starosti 4 godine, što se od toga prije dogodi. Pažljivo pročitajte ovaj priručnik i slijedite svaki postupak iz uputa kako biste osigurali udobnu vožnju i najbolju zaštitu za svoje dijete.

VAŽNO - PROČITAJTE PAŽLJIVO I SAČUVAJTE ZA BUDUĆU UPORABU.

Posjetite joiebaby.com kako biste preuzeli priručnike i pregledali i ostale izvrsne i praktične Joie proizvode!

Za informacije o jamstvu posjetite web stranicu joiebaby.com

Sadržaj

Slike	1-12
UPOZORENJE	177
Sastavljanje kolica	180
Otvaranje dječjih kolica	180
Postavljanje i skidanje prednjih kotača	180
Postavljanje i skidanje stražnjih kotača	180
Postavljanje krovića	180
Postavljanje i skidanje prečke za ruke	180

Korištenje kolica	181
Podešavanje naslona	181
Korištenje kopče	181
Korištenje traka pojasa za ramena i kukove	182
Podešavanje potpore za noge	182
Korištenje blokade okretanja prednjih kotača	183
Korištenje kočnice	183
Korištenje krovića	183
Podešavanje ručke	183
Podešavanje visine sjedalice	183
Okretanje sjedalice	184
Korištenje košare za odlaganje	184
Preklapanje dječjih kolica	184
Korištenje dodatne opreme	185
Skidanje i postavljanje obloga i mekih dijelova	186
Čišćenje i održavanje	188

Hitan slučaj

U hitnom slučaju ili ako se dogodi nesreća najvažnije je pobrinuti se za dijete i odmah mu pružiti prvu pomoć i zdravstvenu skrb.

Podaci o proizvodu

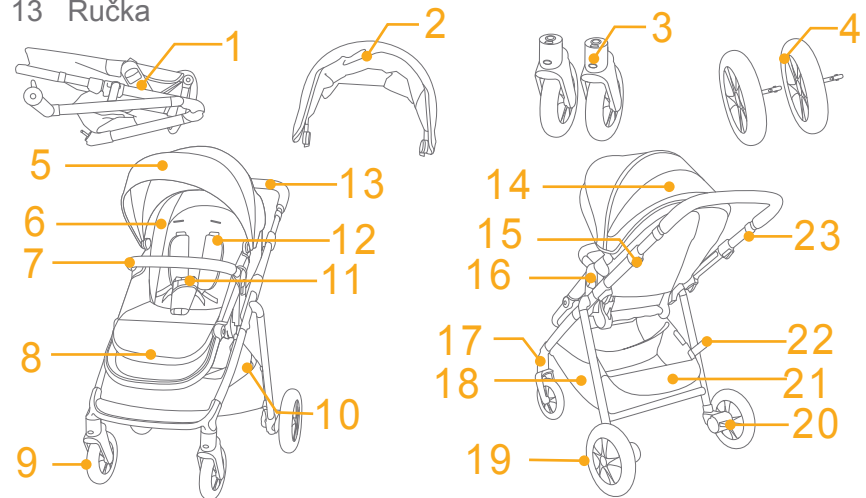
Prije uporabe proizvoda pročitajte sve upute u ovom priručniku. Ako imate dodatna pitanja obratite se prodavaču. Neke značajke mogu se razlikovati prema modelu.

Proizvod	Dječja kolica Aeria
Prikladno	za djecu do težine 22 kg ili do 4 godine starosti, koje od toga prije nastupi.
Materijali	Plastika, metal, tkanine
Patent br.	Patenti prijavljeni i čekaju registraciju
Proizvedeno u	Kini
Robna marka	Joie
Web stranica	www.joiebaby.com
Proizvođač	Allison GmbH

Popis dijelova

Prije sklapanja provjerite jesu li raspoloživi svi dijelovi. Ako bilo koji dio nedostaje kontaktirajte lokalnog prodavača. Za sklapanje nije potreban alat.

- | | |
|---------------------------|----------------------------------|
| 1 Okvir dječjih kolica | 14 Prozorčić na krovčiću |
| 2 Krovčić | 15 Gumb za preklapanje |
| 3 Prednji kotačići | 16 Gumb za oslobađanje sjedalice |
| 4 Stražnji kotačići | 17 Blokada okretanja |
| 5 Krovčić | 18 Torba za pohranu A |
| 6 Jastuk sjedalice | 19 Stražnji kotačići |
| 7 Prečka za ruke | 20 Poluga kočnice |
| 8 Potpora za noge | 21 Torba za pohranu B |
| 9 Prednji kotačići | 22 Poluga za pohranu |
| 10 Košara za odlaganje | 23 Gumb za podešavanje ručke |
| 11 Kopča | |
| 12 Trake pojasa za ramena | |
| 13 Ručka | |

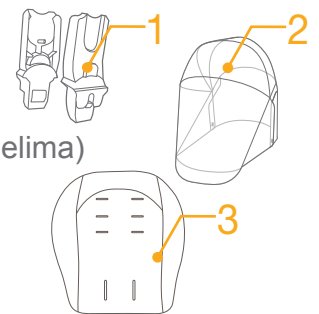


Dodatna oprema

(Možda nije uključena u isporuku)

- 1 Adapter (na nekim modelima)
- 2 Pokrov protiv kiše (na određenim modelima)
- 3 Umetak (na određenim modelima)

Ovisno o regiji dodatna oprema može biti zasebno u prodaji ili uopće ne mora biti raspoloživa.



UPOZORENJE

- ! UPOZORENJE Uvijek koristite sustav traka pojasa za pričvršćivanje djeteta. Sigurnosne pojaseve i sustave za pričvršćivanje djeteta treba pravilno koristiti.
- ! UPOZORENJE Prije uporabe provjerite jesu li uređaji za blokadu aktivirani.
- ! UPOZORENJE Ne dopustite djetetu da se igra ovim proizvodom.
- ! UPOZORENJE Prije upotrebe provjerite jesu li košara za bebu, sjedalica ili uređaji za postavljanje i pričvršćivanje na sjedalo u automobilu pravilno smješteni i aktivirani.
- ! Sklapanje treba vršiti odrasla osoba.
- ! Ovaj proizvod prikladan je za djecu od rođenja do težine 22 kg ili starosti 4 godine, što se od toga prije dogodi.
- ! Ne stavljajte više od 4,5kg u košaru za odlaganje kako biste spriječili opasne situacije i nestabilna stanja.
- ! Nikad ne ostavljajte dijete bez nadzora. Dok je dijete u kolicima neka vam je uvijek u vidnom polju.
- ! U dječjim kolicima smije biti samo jedno dijete. Ne stavljajte torbice, torbe za kupovinu, pakete niti stavke dodatne opreme na ručku niti na krovčić.
- ! Nije dozvoljeno korištenje dodatne opreme koju proizvođač nije odobrio. Potrebno je koristiti isključivo one zamjenske dijelove koje isporučuje ili je preporučio proizvođač.
- ! Preopterećenje, nepravilno preklapanje ili korištenje dijelova drugih proizvođača mogu prouzročiti oštećenja kolica, lom ili ona više neće biti sigurna za uporabu. Pažljivo pročitajte priručnik s uputama.
- ! Prije uporabe proizvoda pročitajte sve upute u ovom priručniku. Spremite priručnik s uputama za buduću uporabu. Nepoštivanje ovih upozorenja i uputa može predstavljati opasnost i prouzročiti ozbiljne ozljede sa smrtnim ishodom.
- ! Radi sprječavanja ozbiljnih ozljeda zbog ispadanja ili isklizavanja, uvijek stavljajte pojas sjedalice.

- ! Prilikom podešavanja kolica provjerite je li tijelo djeteta izvan dohvata pokretnih dijelova.
- ! Uvjerite se kako su kolica u potpunosti otvorena ili preklopljena prije no što im se dijete približi.
- ! Ako se ne koriste trake za pričvršćivanje djeteta ono bi moglo iskliznuti u otvore za noge i zagušiti se.
- ! Nikad ne vozite niti ne koristite kolica na običnim ili pokretnim stubama.
- ! Držite podalje od predmeta i tekućina visoke temperature kao i elektronike.
- ! Djetetu nikad nemojte dopustiti da stoji na kolicima niti da sjedi u kolicima glavom prema vrhu prednjeg dijela kolica.
- ! Nikad ne stavljajte kolica na ceste, kosine ili opasna područja.
- ! Radi sprječavanja mogućeg davljenja NE postavljajte predmete s užadi ili nitima oko dječjeg vrata, maknite viseće trake s ovog proizvoda i ne stavljajte trake na igračke.
- ! Svaki teret postavljen ili obješen na ručku i/ili na stražnju stranu naslona i/ili na bočne strane dječjih kolica utjecat će na njihovu stabilnost.
- ! NE podižite kolica dok se dijete nalazi u njima.
- ! NE koristite košaru za odlaganje za vožnju ili nošenje djeteta.
- ! Nikad ne dozvoljavajte djetetu da se penje na kolica kako biste spriječili prevrtanje. Uvijek podignite dijete kad ga stavljate u kolica ili vadite iz njih.
- ! Pazite prilikom sklapanja ili rasklapanja kolica kako si ne biste priklještili prste.
- ! Prilikom sklapanja i rasklapanja ovog proizvoda udaljite dijete kako se ne bi ozlijedio.
- ! Prije korištenja kolica, a radi sigurnosti djeteta provjerite jesu li svi dijelovi kolica pravilno sklopljeni i učvršćeni.
- ! Pazite i provjerite kako dijete nije blizu krovčića kako se ne bi ugušilo.
- ! Prilikom zaustavljanja kolica uvijek aktivirajte kočnice.

- ! Prestanite koristiti kolica ako su oštećena ili slomljena.
- ! Kolica se smiju koristiti samo brzinom hoda. Ovaj proizvod nije namijenjen i ne smije se koristiti trčeći.
- ! Uklonite plastičnu vreću i ambalažu prije korištenja ovog proizvoda radi sprječavanja opasnosti od gušenja. Plastičnu vreću i ambalažu treba skloniti i držati dalje od dohvata dojenčadi, beba i djece.
- ! Ovaj proizvod nije prikladan za trčanje ili rolanje.
- ! Dječja kolica koja su namijenjena za dijete od rođenja treba do kraja spustiti u najniži položaj kad se koristi za novorođenče.
- ! Prilikom stavljanja i vađenja djeteta iz kolica uvijek je potrebno aktivirati parkirnu kočnicu.
- ! Autosjedalice za bebu koje se koriste s bazom kolica ne mogu zamijeniti sklopivi ili običan dječji krevetić. Ako dijete treba spavati stavite ga u odgovarajuću košaru za bebu, sklopivi ili običan dječji krevetić.
- ! Košara za bebu ne smije se više koristiti čim je dijete sposobno samostalno sjediti, prekrenuti se ili se odgurnuti i podignuti na ruke i koljena. Maksimalna težina djeteta: 9 kg.
- ! NE KORISTITE i nemojte dodavati madrac osim onoga koji je isporučen s košarom za bebu.
- ! Ništa ne pričvršćujte na ručke, na naslon sjedala niti na bočne stranice kolica. Bilo kakav dodatni teret utjecat će na stabilnost kolica i može prouzročiti prevrtanje kolica.
- ! Nije dozvoljeno dodavati bilo kakav madrac osim ako to proizvođač ne preporučuje.
- ! Ne preklapajte okvir dječjih kolica dok je na njih postavljena sjedalica okrenuta obrnuto od smjera kretanja, odnosno prema vama dok gurate kolica.

Sastavljanje kolica

(Pogledajte slike na stranicama 1 - 12)

Prije sklapanja i uporabe ovog proizvoda pročitajte sve upute u ovom priručniku.

Otvaranje dječjih kolica

pogledajte slike ① - ③

Odvojite polugu za pohranu od nosača pohrane ①, a zatim podignite ručku prema gore ②, zvuk klik označit će da su dječja kolica potpuno otvorena.

- ! Pritisnite oslonac za noge prema dolje i postavite u željeni položaj. ③ - 1
- ! Zakopčajte gumb ispod potpore za noge. ③ - 2
- ! Prije korištenja provjerite jesu li dječja kolica u potpunosti pričvršćena.

Postavljanje i skidanje prednjih kotača

pogledajte slike ④ - ⑤

Postavljanje i skidanje stražnjih kotača

pogledajte slike ⑥ - ⑧

Postavljanje krovića

pogledajte slike ⑨ - ⑩

Postavljanje i skidanje prečke za ruke

pogledajte slike ⑪ - ⑫

Potpuno sklopljena kolica prikazana su na slici ⑬

Korištenje kolica

Podešavanje naslona

pogledajte slike 14 - 15

Postoje 5 kuta nagiba naslona.

Spuštanje naslona

Za nagnjanje naslona stisnite ručku za nagnjanje na stražnjoj strani sjedalice, povucite dolje na stražnji dio naslona. 14

Podizanje naslona

Za podizanje naslona, gurnite ga prema gore. 15

! Provjerite je li nagib pravilno namješten za upotrebu.

! Maksimalno opterećenje džepa za odlaganje na stražnjoj strani naslona je 0,45 kg.

Korištenje kopče

pogledajte slike 16 - 17

Oslobađanje kopče

Pritisnite gumb, kopča će se automatski osloboditi. 16

Zaključavanje kopče

Na kopču pojasa preko kukova postavite odgovaraju kopču pojasa za rame 17 - 1 i poravnajte ih sa središnjom kopčom, kopča će se sada automatski zakopčati. 17 - 2 Zvuk „klik“ znači da je kopča pravilno zakopčana. 17 - 3

! Radi sprječavanja ozbiljnih ozljeda zbog ispadanja ili iskliznuća, dijete uvijek pričvrstite trakama pojasa.

! Provjerite je li dijete pravilno i sigurno pričvršćeno. Razmak između djeteta i traka pojasa za djetetova ramena mora biti približno debljine jednog prsta.

! Ne križajte trake pojasa za ramena. To će prouzročiti pritisak na djetetov vrat.

Korištenje traka pojasa za ramena i kukove

pogledajte slike 18 - 21

! Kako bi zaštitili dijete od ispadanja, nakon što ga stavite u sjedalicu provjerite jesu li trake pojasa za ramena i kukove na pravilnoj visini i jesu li pravilne duljine.

18 - 1 Učvršćivač trake pojasa za ramena

18 - 2 Klizni dio za podešavanje

Za veće dijete koristite učvršćivač trake pojasa za ramena i najviše otvore za trake pojasa za ramena. Za manje dijete koristite učvršćivač trake pojasa i niže otvore za trake pojasa za ramena.

! Položaj učvršćivača trake pojasa može se namjestiti iznad otvora koji je zatvorenog učvršćivačima ili ispod džepa. 19 - 1

Za podešavanje položaja učvršćivača trake pojasa za ramena okrenite učvršćivač kako bi bio u ravnini sa stranom okrenutom prema naprijed. Provucite ih kroz otvor za trake pojasa za ramena sa stražnje na prednju stranu. 19 Ponovno provucite kroz otvor koji je najbliži visini djetetovih ramena. 20

Koristite klizni dio za podešavanje kako bi promijenili duljinu traka pojasa. 21 - 1

Pritisnite gumbe 21 - 2 dok povlačite trake pojasa za ramena na pravilnu duljinu. 21 - 3

Podešavanje potpore za noge

pogledajte slike 22 - 23

Potpore za noge ima 2 položaja.

Za podizanje potpore za noge gurnite je prema gore. 22 Zvuk „klik“ znači da je potpora pravilno blokirana.

Za spuštanje potpore za noge pritisnite gumbe za podešavanje na obje strane potpore za noge 23 - 1 i zakrenite potporu za noge prema dolje. 23 - 2

Korištenje blokade okretanja prednjih kotača

pogledajte slike 24

Prednji kotačić blokiran ili deblokiran kao na slici 24.

Savjet Na neravnim površinama preporučuje se koristiti blokade okretanja kotača.

Korištenje kočnice

pogledajte slike 25 - 26

Za blokadu kotača nogom pritisnite polugu kočnice prema dolje. 25

Za oslobađanje kotača jednostavno podignite polugu kočnice prema gore. 26

Savjet Uvijek aktivirajte kočnicu čim zaustavite dječja kolica.

Korištenje krovica

pogledajte slike 27 - 28

Krović se može otvoriti ili preklopiti, povući ga prema naprijed ili natrag.

Krović se može u potpunosti otvoriti radi čim bolje zaštite djeteta od sunca, potrebno je samo otvoriti patentni zatvarač 27 i povući krovic prema naprijed.

Na krovicu postoji prozorčić kroz koji možete pogledati dijete. 28

Podešavanje ručke

pogledajte slike 29

Ručka ima 4 položaja.

Podešavanje visine sjedalice

pogledajte slike 30 - 31

Sjedalica ima 4 položaja.

Povucite gore sjedalicu kako biste povećali njenu visinu. 30

Pritisnite gumb za podešavanje visine sjedalice i povucite je gore, zatim gurnite dolje kako biste smanjili visinu sjedalice. 31

Okretanje sjedalice

pogledajte slike 32 - 33

Moguće je okrenuti smjer sjedalice kako bi dijete sjedilo licem prema majci, odnosno osobi koja gura kolica.

Stisnite gumb za oslobađanje sjedalice i podignite je. Okrenite sjedalicu u suprotnom smjeru i zatim je ponovno umetnite u nosače sjedalice.

Oba nosača sjedalice trebaju biti u ravnini kako je prikazano na slici 33, ako je smještaj kako je prikazano na slikama 34 i 35 pritisnite gumb za podešavanje visine sjedalice i povucite gore, zatim gurnite dolje radi smanjenja visine sjedalice i kako bi oba nosača sjedalice bila u ravnini. 36

Korištenje košare za odlaganje

pogledajte slike 39

Odvojite gumb na košari radi povećavanja prostora u košari. 39 - 1

Maksimalno opterećenje svake od torbica A na bočnim stranama košare za odlaganje je 0,45 kg.

Ne stavljajte više od 4,5 kg u košaru za odlaganje i torbicu B kako biste spriječili opasne situacije i nestabilna stanja.

Preklapanje dječjih kolica

pogledajte slike 40 - 43

! Prije sklapanja kolica preklopite krovic.

Pritisnite gumb za preklapanje i povucite prema gore, 40 zatim okrenite ručku prema dolje, 41 poluga za preklapanje može se automatski blokirati. 42

- ! Ako je sjedalica na nižem položaju tijekom preklapanja kolica može se kliznuti prema dolje kako bi se poluga za preklapanje automatski blokirala.
- ! Ne preklapajte okvir dječjih kolica dok je na njih postavljena sjedalica okrenuta obrnuto od smjera kretanja, odnosno prema vama dok gurate kolica. 43
- ! Ne preklapajte okvir dok su prednji kotači blokirani i ne mogu se okretati.
- ! Kolica sa sjedalicom okrenutom u smjeru kretanja može samostalno stajati kad je ručka u najvišem položaju.

Korištenje dodatne opreme

Ovisno o regiji dodatna oprema može biti zasebno u prodaji ili uopće ne mora biti raspoloživa.

Korištenje pokrova protiv kiše pogledajte slike 44

Za pričvršćivanje pokrova protiv kiše postavite ga preko sjedalice.

- ! Pri korištenju pokrova protiv kiše uvijek provjerite prozračivanje ispod pokrova.
- ! Ako se pokrov protiv kiše više ne koristi prije sklapanja provjerite je li očišćen i suh.
- ! Ne preklapajte dječja kolica nakon postavljanja pokrova protiv kiše.
- ! Tijekom toploga vremena ne stavljajte dijete u dječja kolica na kojima je postavljen pokrov protiv kiše.

Korištenje s autosjedralicom za bebu pogledajte slike 45 - 49

Prilikom korištenja s Joie autosjedralicama za bebu i-Gemm 2 & i-Level & i-Snug pogledajte sljedeće upute.

- ! Zvuk „klik“ znači da je adapter pravilno zakopčan.

- ! Kut nagiba autosjedralice za bebu može se prilagoditi našim prilagodljivim adapterima. 47
- ! Adapter ima 3 položaja. Ne koristite proizvod ako je djetetova glava niža od stopala kad dijete smjestite i pričvrstite u autosjedralicu za bebu.
- ! Ako imate bilo kakvih problema u svezi korištenja autosjedralice za bebu, pogledajte upute za uporabu te autosjedralice.
- ! Ne preklapajte dječja kolica dok je na njih postavljena i pričvršćena autosjedralica za bebu.

Korištenje s Joie košarom za bebu pogledajte slike 50 - 53

Prilikom korištenja s Joie košarom za bebu ramble, ramble xl pogledajte sljedeće upute.

- ! Ako imate bilo kakvih problema u svezi korištenja košare za bebu, pogledajte upute za uporabu te košare za bebu.
- ! Ne koristite proizvod ako je djetetova glava niža od stopala kad dijete smjestite u košaru za bebu.
- ! Kada koristite košaru za bebu uvijek koristite i njezin madrac.
- ! Ne preklapajte dječja kolica dok je na njih postavljena košara za bebu.

Korištenje umetka za bebu pogledajte slike 54 - 55

Skidanje i postavljanje obloga i mekih dijelova

pogledajte slike 56 - 64

1. Uklonite prečku za ruke kao na slici 12
2. Otvorite kopču koja se nalazi na donjem dijelu sjedala. 56

Za ponovno postavljanje obloga i mekih dijelova slijedite gore navedene korake obrnutim redoslijedom 64 - 56

Čišćenje i održavanje

pogledajte slike 65

- ! Za čišćenje okvira dječjih kolica koristite samo običan sapun i toplu vodu. Bez izbjeljivača ili deterdženta. Pogledajte naljepnicu za održavanje s uputama za čišćenje dijelova kolica od tkanine.
- ! Obloge i meki dijelovi mogu se prati u perilici. Bez izbjeljivača. Ne savijajte pokrov sjedalice velikom silom radi iscjeđivanja i unutarnje umetke radi sušenja. To može ostaviti nabore na oblozi sjedala i unutarnjem umetku.
- ! S vremena na vrijeme provjerite zategnutost vijaka na dječjim kolicima i provjerite je li materijal istrošen i jesu li šavovi poderani. Prema potrebi zamijenite ili popravite dijelove. Povremeno plastične dijelove obrišite mekom vlažnom krpom. Uvijek osušite metalne dijelove kako bi spriječili stvaranje hrđe ako su kolica bila izložena vodi.
- ! Dulje izlaganje suncu ili toplini može prouzročiti blijedenje ili uvijanje dijelova.
- ! Ako su kolica vlažna prije pohrane otvorite krovčić i pustite neka se potpuno osuše.
- ! Ako kotačići glasno škripe koristite lagano ulje (na primjer silikonski sprej, ulje protiv hrđe ili ulje za šivaće strojeve). Važno je staviti ulje na sklop osovine i kotača. 65
- ! Nakon korištenja dječjih kolica na plaži ili drugim pješčanim/prašnjavim terenima temeljito očistite kolica kako biste uklonili ostatke pijeska i soli iz mehanizama i sklopova kotača.

RU Вас приветствует компания Joie™!

Поздравляем — вы стали частью семьи Joie! Мы рады отправиться в путь вместе с вами и вашим малышом. Joie aeria — это высококачественная коляска, сертифицированная по европейскому стандарту безопасности EN 1888-2:2018. Данное изделие предназначено для детей весом до 22 кг или возрастом до 4 лет (в зависимости от того, что наступит раньше). Внимательно прочтите настоящее руководство и выполняйте все рекомендации, чтобы обеспечить удобство в поездке и максимальную защиту ребенка. **ВАЖНО! ВНИМАТЕЛЬНО ПРОЧТИТЕ И СОХРАНИТЕ НА БУДУЩЕЕ.**

Скачать руководства и ознакомиться с другой замечательной продукцией Joie можно на веб-сайте joiebaby.com.

Сведения о гарантии опубликованы на веб-сайте joiebaby.com

Содержание

Рисунки	1-12
ПРЕДУПРЕЖДЕНИЯ	193
Сборка коляски	196
Раскладывание коляски	196
Сборка и снятие передних колес	196
Сборка и снятие задних колес	196
Сборка козырька	196
Сборка и установка поручня	196

Эксплуатация коляски	197
Регулировка положения спинки	197
Использование пряжки	197
Использование плечевых и поясных ремней	198
Регулировка положения опоры для ног	198
Использование фиксаторов передних колес	199
Использование тормоза	199
Использование козырька	199
Регулировка положения рукоятки	199
Регулировка высоты сиденья	199
Поворот сиденья	200
Использование вещевой корзины	200
Складывание коляски	200
Использование принадлежностей	201
Снятие и установка тканевых деталей	202
Очистка и уход за изделием	204

Чрезвычайные ситуации

В случае чрезвычайного происшествия или несчастного случая следует незамедлительно оказать ребенку первую помощь и обратиться к врачу.

Информация об изделии

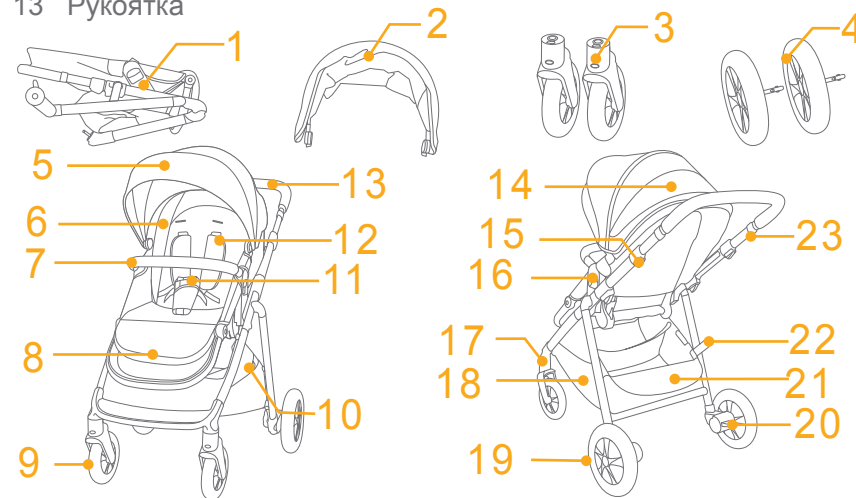
Перед использованием данного изделия прочтите все инструкции в настоящем руководстве. С вопросами обращайтесь в магазин, где было приобретено изделие. Некоторые элементы могут отличаться у различных моделей.

Изделие	Коляска Aeria
Предназначено для	детей весом до 22 кг или возрастом до 4 лет (в зависимости от того, что наступит раньше).
Материалы	Пластик, металл, ткань
Номер патента	Патенты оформляются
Страна производства	Китай
Марка	Joie
Веб-сайт	www.joiebaby.com
Изготовитель	China Wonderland Nurserygoods Co.,LTD

Спецификация деталей

Перед сборкой данного изделия проверьте наличие всех деталей. В случае отсутствия любых деталей обратитесь в магазин, где было приобретено данное изделие. Для сборки не требуются инструменты.

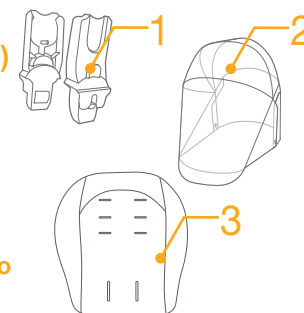
- | | |
|---------------------|--------------------------------|
| 1 Рама коляски | 14 Окно в козырьке |
| 2 Козырек | 15 Кнопка складывания |
| 3 Передние колеса | 16 Кнопка фиксатора сиденья |
| 4 Задние колеса | 17 Фиксатор переднего колеса |
| 5 Козырек | 18 Сумка для багажа А |
| 6 Подкладка сиденья | 19 Задние колеса |
| 7 Поручень | 20 Педаль тормоза |
| 8 Опора для ног | 21 Сумка для багажа Б |
| 9 Передние колеса | 22 Фиксатор для хранения |
| 10 Вещевая корзина | 23 Кнопка регулировки рукоятки |
| 11 Пряжка | |
| 12 Плечевые ремни | |
| 13 Рукоятка | |



Принадлежности

(могут не входить в комплект поставки)

- 1 Адаптер (в некоторых моделях)
- 2 Дождевик (в некоторых моделях)
- 3 Вкладыш (в некоторых моделях)



Принадлежности могут продаваться отдельно или не предлагаться в некоторых регионах.

ПРЕДУПРЕЖДЕНИЯ

- ! **ВНИМАНИЕ!** Всегда используйте удерживающую систему. Необходимо надлежащим образом использовать ремни безопасности и удерживающую систему.
- ! **ВНИМАНИЕ!** Прежде чем использовать коляску, убедитесь, что задействованы все фиксаторы.
- ! **ВНИМАНИЕ!** Не позволяйте ребенку играть с данным изделием.
- ! **ВНИМАНИЕ!** Перед использованием коляски убедитесь, что все крепежные устройства на коляске, сидении или автокресле задействованы надлежащим образом.
- ! Сборку должны осуществлять взрослые.
- ! Данное изделие предназначено для детей весом до 22 кг или возрастом до 4 лет (в зависимости от того, что наступит раньше).
- ! Во избежание опасного опрокидывания коляски не помещайте в вещевую корзину предметы весом более 4,5 кг.
- ! Категорически запрещается оставлять ребенка без присмотра. Ребенок, находящийся в коляске, должен быть всегда под присмотром.
- ! В коляске допускается перевозить только одного ребенка. Запрещается размещать на рукоятке и козырьке кошельки, сумки, свертки и принадлежности.
- ! Не разрешается использовать принадлежности, не одобренные производителем. Допускается использовать только запасные части, поставляемые или рекомендованные производителем манежа.
- ! Превышение допустимой нагрузки, неправильное складывание и использование деталей других производителей может привести к повреждению, поломке и снижению безопасности коляски. Пожалуйста, внимательно прочтите настоящее руководство по эксплуатации.
- ! Перед использованием данного изделия прочтите все инструкции в настоящем руководстве. Сохраните настоящее руководство по эксплуатации для использования в будущем. Несоблюдение этих предупреждений и инструкций может привести к причинению серьезного вреда здоровью ребенка или летальному исходу.

- ! Во избежание причинения серьезного вреда здоровью ребенка в результате падения или выскальзывания из коляски обязательно используйте ремни безопасности.
- ! Во время регулировки коляски тело ребенка не должно соприкасаться с какими бы то ни было подвижными деталями.
- ! Не разрешайте ребенку подходить к коляске, если она не полностью разложена или сложена.
- ! Если ребенок не пристегнут ремнем, он может выскользнуть через нижнюю часть коляски, что может привести к удушью.
- ! Категорически запрещается использовать коляску на лестницах и эскалаторах.
- ! Коляску необходимо держать вдали от горячих предметов, жидкостей и электронных приборов.
- ! Никогда не разрешайте ребенку стоять на коляске, а также сидеть на коляске лицом к рукоятке.
- ! Категорически запрещается помещать коляску на дороги, откосы и в другие опасные места.
- ! Во избежание удушья ЗАПРЕЩАЕТСЯ помещать предметы с лентами и веревками вокруг шеи ребенка, свешивать ленты и веревки с коляски, а также прикреплять веревки и ленты к игрушкам.
- ! Прикрепление любого груза к рукоятке, к спинке или боковым частям коляски приведет к нарушению устойчивости коляски.
- ! ЗАПРЕЩАЕТСЯ поднимать коляску с находящимся в ней ребенком.
- ! ЗАПРЕЩАЕТСЯ помещать ребенка в вещевую корзину.
- ! Во избежание опрокидывания не позволяйте ребенку карабкаться по коляске. Усаживать и вынимать ребенка из коляски должен взрослый.
- ! Во избежание зажатия соблюдайте осторожность при складывании и раскладывании коляски.
- ! Во избежание причинения вреда здоровью ребенка не складывайте и не раскладывайте коляску вблизи ребенка.
- ! С целью обеспечения безопасности ребенка перед использованием коляски необходимо убедиться, что все детали собраны и закреплены надлежащим образом.
- ! Во избежание удушья удостоверьтесь, что козырек не касается ребенка.

- ! Остановив коляску, обязательно задействуйте тормоза.
- ! В случае повреждения или поломки коляски ее необходимо прекратить использовать.
- ! Коляску допускается катить только со скоростью пешей ходьбы. Коляска не предназначена для использования во время бега.
- ! Во избежание удушья перед использованием данного изделия снимите с него пластиковый пакет и упаковочные материалы. Храните пластиковый пакет и упаковочные материалы в недоступном для детей месте.
- ! Данное изделие не предназначено для бега или катания на роликах.
- ! Для новорожденных спинку коляски рекомендуется опустить в самое низкое положение.
- ! Перед тем как помещать ребенка в коляску или извлекать его из коляски, необходимо задействовать тормоза.
- ! Детское удерживающее устройство, установленное на раму данной коляски, не заменяет люльку или кроватку для новорожденных. Чтобы уложить ребенка спать, его необходимо перенести в подходящую лежачую коляску, люльку или кровать.
- ! Переносная люлька не предназначена для детей, умеющих самостоятельно сидеть, переворачиваться и вставать на четвереньки. Максимальный вес ребенка: 9 кг.
- ! ЗАПРЕЩАЕТСЯ использовать и укладывать в люльку матрасы помимо того, который поставляется в комплекте с ней.
- ! Запрещается прикреплять различные предметы к рукоятке, спинке сиденья и боковым частям коляски. От дополнительной нагрузки коляска потеряет устойчивость и может перевернуться.
- ! Использование дополнительных матрасов недопустимо, если это не рекомендовано производителем.
- ! Не складывайте раму, когда сиденье направлено лицом против хода движения.

Сборка коляски

(См. рисунки на стр. 1-12)

Перед сборкой и использованием данного изделия прочтите все инструкции в настоящем руководстве.

Раскладывание коляски

См. рисунки ① - ③

Отсоедините фиксатор для хранения от защелки для хранения ①, затем поднимите рукоятку вверх ②. При полном раскладывании коляски слышится характерный "щелчок".

! Прижмите подножку книзу и верните ее в исходное положение. ③ - 1

! Застегните пуговицу под опорой для ног. ③ - 2

! Перед использованием удостоверьтесь, что коляска полностью зафиксирована в разложенном состоянии.

Сборка и снятие передних колес

См. рисунки ④ - ⑤

Сборка и снятие задних колес

См. рисунки ⑥ - ⑧

Сборка козырька

См. рисунки ⑨ - ⑩

Сборка и установка поручня

См. рисунки ⑪ - ⑫

Полностью собранная коляска показана на рисунке ⑬

Эксплуатация коляски

Регулировка положения спинки

См. рисунки 14 - 15

Спинку можно установить под 5 углами наклона.

Опускание спинки

Чтобы откинуть спинку, сожмите рукоятку регулировки наклона на задней стороне спинки и потяните спинку вниз. 14

Поднятие спинки

Чтобы поднять спинку, переместите ее вверх. 15

! Установите подходящий для использования наклон спинки.

! Максимальная нагрузка на карман для вещей, расположенный с обратной стороны спинки, составляет 0,45 кг.

Использование пряжки

См. рисунки 16 - 17

Расстегивание пряжки

При нажатии на кнопку пряжка расстегивается автоматически. 16

Застегивание пряжки

Совместите пряжку на поясном ремне с пряжкой на плечевом ремне 17 - 1 и совместите их с центральной пряжкой. Пряжка может застегнуться автоматически. 17 - 2 Когда пряжка полностью застегнется, вы услышите щелчок. 17 - 3

! Во избежание причинения тяжкого вреда здоровью ребенка в результате падения или выскальзывания из коляски обязательно пристегивайте ребенка ремнем.

! Удостоверьтесь, что ремни плотно прилегают к телу ребенка. Расстояние между телом ребенка и плечевыми ремнями не должно превышать толщину ладони.

! Не перекрещивайте плечевые ремни. Это приведет к сдавливанию шеи ребенка.

Использование плечевых и поясных ремней

См. рисунки 18 - 21

! Во избежание выпадения ребенка из коляски, посадив его в коляску, удостоверьтесь, что плечевые и поясные ремни установлены на правильную высоту и имеют подходящую длину.

18 - 1 Фиксатор плечевого ремня

18 - 2 Регулятор длины ремня

Для ребенка большого роста используйте фиксаторы плечевых ремней и верхние прорези для ремней. Для ребенка небольшого роста используйте фиксаторы плечевых ремней и нижние прорези для ремней.

! Положение фиксатора плечевого ремня можно отрегулировать через верхнее отверстие, закрытое креплениями, или нижний карман. 19 - 1

Для регулировки положения фиксатора плечевого ремня разверните его плашмя и торцом вперед. Проденьте фиксатор через прорезь для плечевого ремня сзади вперед. 19 Снова проденьте его через прорезь, расположенную ближе всего к плечам ребенка. 20

С помощью регулятора длины отрегулируйте длину ремней. 21 - 1

Нажмите на кнопку 21 - 2 и одновременно вытяните поясной ремень на требуемую длину. 21 - 3

Регулировка положения опоры для ног

См. рисунки 22 - 23

Опору для ног можно установить в 2 положения.

Чтобы поднять опору для ног, потяните ее вверх. 22 Когда опора зафиксирована должным образом, прозвучит щелчок.

Чтобы опустить опору для ног, нажмите на регулировочные кнопки с обеих сторон опоры для ног 23 - 1 и опустите ее. 23 - 2

Использование фиксаторов передних колес

См. рисунки 24

Положение блокировки и снятия блокировки передних колес показано на рис. 24.

Совет Фиксаторы передних колес рекомендуется использовать на неровных поверхностях.

Использование тормоза

См. рисунки 25 - 26

Чтобы заблокировать колеса, опустите ногой педаль тормоза вниз. 25

Чтобы разблокировать колеса, поднимите педаль тормоза вверх. 26

Совет Всегда задействуйте тормоз, если не перемещаете коляску.

Использование козырька

См. рисунки 27 - 28

Козырек можно разложить, сложить, переместит вперед и переместить назад.

Козырек можно разложить полностью, чтобы максимально защитить ребенка от солнца. Для этого расстегните молнию 27 и потяните козырек вперед.

На козырьке предусмотрено окно, через которое можно наблюдать за ребенком. 28

Регулировка положения рукоятки

См. рисунки 29

Рукоятка имеет 4 положения.

Регулировка высоты сиденья

См. рисунки 30 - 31

Сиденье имеет 4 положения.

Потяните сиденье вверх, чтобы увеличить его высоту. 30

Нажмите на кнопки регулировки высоты сиденья и потяните сиденье вверх, а затем прижмите вниз, чтобы уменьшить высоту сиденья. 31

Поворот сиденья

См. рисунки 32 - 38

Сиденье можно перевернуть так, чтобы ребенок находился лицом к матери.

Сожмите кнопки фиксации сиденья и поднимите сиденье. Поверните сиденье в обратном направлении и установите его на крепления сиденья.

Оба крепления сиденья должны располагаться ровно, как показано на рис. 33. В случаях, показанных на рис. 34 и 35, нажмите на кнопку регулировки высоты сиденья, поднимите его вверх и прижмите вниз, чтобы уменьшить высоту сиденья и выровнять оба крепления сиденья. 36

Использование вещевой корзины

См. рисунки 39

Расстегните кнопки на корзине, чтобы увеличить ее вместимость. 39 - 1

Максимальная нагрузка на каждую из сумок для багажа А, расположенных с обеих сторон корзины, составляет 0,45 кг.

Во избежание опасного опрокидывания коляски не помещайте в вещевую корзину и сумку для багажа В предметы весом более 4,5 кг.

Складывание коляски

См. рисунки 40 - 43

! Перед складыванием коляски необходимо сложить козырек.

Нажмите на кнопку складывания и потяните, 40 а затем поверните рукоятку вниз. 41 Фиксатор сложения закроется автоматически. 42

- ! Если сиденье находится в нижнем положении, его можно сдвинуть вниз при складывании коляски, чтобы фиксатор сложения закрылся автоматически.
- ! Не складывайте раму, когда сиденье направлено лицом против хода движения. 43
- ! Не складывайте раму, если заблокирован фиксатор передних колес.
- ! Коляска с сиденьем, направленным лицом по ходу движения, может стоять вертикально, если рукоятка находится в верхнем положении.

Использование принадлежностей

Принадлежности могут продаваться отдельно или не предлагаться в некоторых регионах.

Использование дождевика

См. рисунки 44

Для сборки дождевика накройте им сиденье.

- ! При использовании дождевика обязательно проверяйте его вентиляцию.
- ! Неиспользуемый дождевик необходимо очистить, высушить и сложить.
- ! Не складывайте коляску, если на нее установлен дождевик.
- ! Не помещайте ребенка в коляску с дождевиком в жаркую погоду.

Использование коляски с удерживающей системой для новорожденных

См. рисунки 45 - 49

При использовании коляски с автолюлькой Joie i-Gemm 2 & i-Level & i-Snug следуйте приведенным ниже инструкциям.

- ! При полной фиксации адаптера слышится характерный "щелчок".

- ! Угол наклона автолюльки настраивается с помощью регулируемых адаптеров. 47
- ! Адаптер имеет 3 положения. Не используйте данное изделие, если после установки автолюльки ноги ребенка расположены выше его головы.
- ! В случае возникновения любых проблем при использовании автолюльки, ознакомьтесь с руководством по эксплуатации этой системы.
- ! Не складывайте коляску с установленной удерживающей системой для новорожденных.

Использование с переносной люлькой Joie

См. рисунки 50 - 53

При использовании коляски с переносной люлькой Joie rambler, rambler xl следуйте приведенным ниже инструкциям.

- ! В случае возникновения любых проблем при использовании переносной люльки ознакомьтесь с руководством по эксплуатации этой системы.
- ! Не используйте данное изделие, если после установки переносной люльки ноги ребенка расположены выше его головы.
- ! Переносную люльку можно использовать только с матрасом.
- ! Не складывайте коляску с установленной переносной люлькой.

Использование вкладыша

См. рисунки 54 - 55

Снятие и установка тканевых деталей

См. рисунки 56 - 64

1. Снимите поручень, см. рисунок 12
2. Расстегните пряжку на нижней части сиденья. 56

Чтобы надеть детали из ткани, выполните приведенные выше шаги в обратном порядке 64 - 56

Очистка и уход за изделием

См. рисунки 65

- ! Для очистки рамы коляски разрешается использовать только хозяйственное мыло и теплую воду. Запрещается использование отбеливателей и моющих средств. Инструкции по очистке тканевых деталей коляски приведены на памятке по уходу.
- ! Съёмную тканевую обивку допускается стирать в стиральной машине. Не отбеливать! Не скручивайте чехол и внутреннюю обивку сиденья при сушке. От этого на чехле и внутренней обивке сиденья могут появиться складки.
- ! Время от времени проверяйте коляску на наличие плохо закрепленных винтов, признаков износа деталей, повреждений материала и швов. Заменяйте или ремонтируйте детали по необходимости. Периодически протирайте пластиковые детали мягкой влажной тканью. В случае контакта коляски с водой обязательно вытирайте металлические детали насухо во избежание появления ржавчины.
- ! Чрезмерное нахождение на солнце или при повышенной температуре приводит к выцветанию или деформации деталей.
- ! Если коляска намочла, откройте козырек и хорошо просушите перед тем, как поместить коляску на хранение.
- ! Если скрипят колеса, смажьте их легким маслом (например силиконовой смазкой-аэрозолем, антикоррозийным маслом или маслом для швейных машин). Важно, чтобы при этом масло попало на ось и систему колеса. 65
- ! При использовании коляски на пляже или в местах с высоким содержанием пыли/ песка полностью очищайте ее механизмы и колеса от песка и соли.

DA Velkommen til Joie™

Tillykke og velkommen til Joie-familien! Vi er så glade for at være en del af din rejse med den lille. Når du er på tur med Joie Aeria, bruger du en klapvogn i høj kvalitet som er fuldt certificeret og godkendt iht. de europæiske sikkerhedsstandarder EN 1888-2:2018. Dette produkt er beregnet til børn op til 22 kg eller 4 år, hvad enten der kommer først. Læs denne vejledning omhyggeligt og følg alle trinene så du sikrer, at dit barn har det behageligt og er ordentligt beskyttet under turen.

VIGTIGT - LÆS OMHYGGELIGT OG BEHOLD TIL SENERE REFERENCE.

Besøg os på joiebaby.com, hvor du kan downloade vejledninger og se flere spændende Joie-produkter!

Besøg vores websted på joiebaby.com for at få oplysninger om garanti

Indhold

Figur	1-12
ADVARSEL	209
Sådan samles klapvognen	212
Åbn klapvognen	212
Montér og afmonter forhjul	212
Montér og afmonter baghjul	212
Montering af kaleche	212
Monter og afmonter armstøtte	212

Sådan bruges klapvognen	213
Justering af ryglænet	213
Brug af spændet	213
Brug af skulder- og taljeseler	214
Justering af lægstøtten	214
Brug af forhjulslåsen	215
Brug af bremsen	215
Brug af kalechen	215
Justering af håndtaget	215
Justering af sædehøjde	215
Skift af sæde	216
Brug af kurv	216
Sådan foldes klapvognen sammen	216
Brug af tilbehør	217
Afmonter og samling af bløde varer	218
Rengøring og vedligeholdelse	220

Nødsituation

I tilfælde af en nødsituation eller ulykke er det vigtigst, at dit barn straks får førstehjælp og lægebehandling.

Produktoplysninger

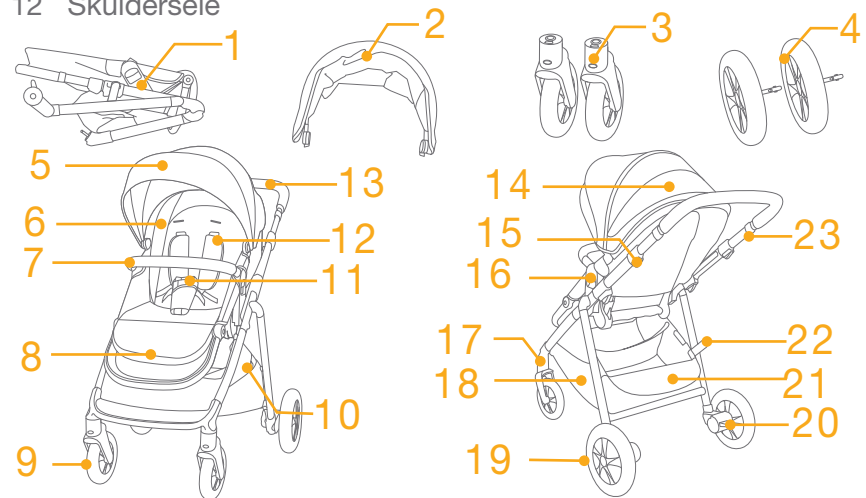
Læs alle instruktionerne i denne vejledning, inden produktet tages i brug. Hvis du har yderligere spørgsmål, bedes du kontakte din forhandler. Nogle funktioner kan være forskellige fra model til model.

Produkt	Aeria klapvogn
Beregnet til	børn op til 22 kg eller 4 år, hvad enten der kommer først.
Materialer	Plastik, metal, stof
Patentnummer	Afventer patent
Fremstillet i	Kina
Varemærket	Joie
Website	www.joiebaby.com
Producent	Allison GmbH

Liste over dele

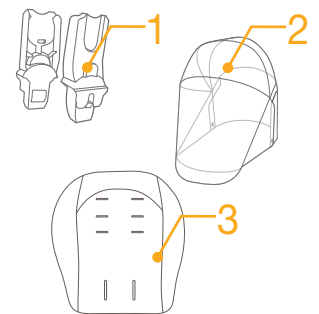
Kontroller, at alle delene følger med, inden du begynder at samle produktet. Hvis der mangler nogen dele, bedes du venligst kontakte din lokale forhandler. Der skal ikke bruges værktøj til at samle produktet.

- | | | | |
|----|-----------------|----|-----------------------------|
| 1 | Klapvognsstel | 13 | Håndtag |
| 2 | Kaleche | 14 | Kalechevindue |
| 3 | Forhjul | 15 | Foldeknop |
| 4 | Baghjul | 16 | Knap til frigivelse af sæde |
| 5 | Kaleche | 17 | Hjulslås |
| 6 | Sædepude | 18 | Opbevaringspose A |
| 7 | Armstøtte | 19 | Baghjul |
| 8 | Lægstøtte | 20 | Bremsegreb |
| 9 | Forhjul | 21 | Opbevaringspose B |
| 10 | Opbevaringskurv | 22 | Opbevaringslås |
| 11 | Spænde | 23 | Justeringsknap til håndtag |
| 12 | Skuldersele | | |



Tilbehør (medfølger muligvis ikke)

- 1 Adapter (på bestemte modeller)
- 2 Regnslag (på bestemte modeller)
- 3 Indlæg (på bestemte modeller)



Tilbehør sælges muligvis separat og er muligvis ikke tilgængeligt i dit område.

ADVARSEL

- ! ADVARSEL Brug altid fastspændingssystemet. Sikkerhedsseler og fastspændingssystemer skal bruges korrekt.
- ! ADVARSEL Sørg for, at alle låsene er låst inden brug.
- ! ADVARSEL Lad ikke barnet lege med dette produkt.
- ! ADVARSEL Sørg altid for, at fastgørelsesanordningerne på barnevogne, sædeenheder og bilsæder er spændt ordentligt før brug.
- ! Kræver samling af en voksen.
- ! Dette produkt er beregnet til børn op til 22 kg eller 4 år, hvad enten der kommer først.
- ! For at forhindre en farlig, ustabil tilstand, må du ikke anbringe mere end 4,5 kg i opbevaringskurven.
- ! Efterlad aldrig barnet uden opsyn. Vær altid i stand til at holde øje med barnet i klapvognen.
- ! Brug kun klapvognen med ét barn ad gangen. Anbring aldrig punge, indkøbsposer, pakker eller tilbehør på håndtaget eller kalechen.
- ! Brug ikke tilbehør, der ikke er godkendt af producenten. Brug kun reservedele, som leveres eller er godkendt af fabrikanten.
- ! Overbelastning, forkert foldning eller brug af komponentdele fra andre producenter kan medføre, at klapvognen bliver beskadiget, går i stykker eller bliver usikker. Læs brugsanvisningen omhyggeligt.
- ! Læs alle instrukserne i brugsanvisningen, før du bruger produktet. Gem brugsanvisningen til senere brug. Manglende overholdelse af disse advarsler og instruktioner kan medføre alvorlige kvæstelser eller dødsfald.
- ! For at undgå, at barnet kommer til skade ved at falde eller glide ud, skal du altid bruge sikkerhedssele.
- ! Sørg for at dit barns krop går fri fra de bevægelige dele, når du justerer klapvognen.
- ! Vær sikker på klapvognen er helt åben eller sammenfoldet, før barnet kommer i nærheden af klapvognen.
- ! Barnet kan få benene ind i åbninger eller blive kvalt, hvis selen ikke anvendes.

- ! Brug aldrig klapvognen på trapper eller rulletrapper.
- ! Hold produktet væk fra varme genstande, væsker og elektronik.
- ! Lad aldrig barnet stå op eller sidde omvendt i klapvognen.
- ! Efterlad aldrig klapvognen på vejen, på skrånninger eller andre farlige steder.
- ! For at undgå kvælning må du IKKE lægge noget rundt om barnets hals, ophænge snore fra dette produkt eller binde snore til legetøj.
- ! Enhver vægt, der anbringes på håndtaget, bag på ryglænet eller på siderne af klapvognen vil påvirke stabiliteten.
- ! Løft IKKE klapvognen, mens barnet sidder i den.
- ! Brug IKKE opbevaringskurven som barnelift.
- ! For at undgå at klapvognen vipper, må du aldrig lade barnet kravle op i den. Løft altid barnet ind og ud af klapvognen.
- ! For at undgå klemte fingre, skal du altid være forsigtig, når du falder klapvognen sammen eller ud.
- ! For at undgå skader, skal børn altid holdes væk fra produktet, når du folder det ud eller sammen.
- ! Af hensyn til barnets sikkerhed skal du altid sikre dig, at alle dele er samlet og monteret korrekt, før du bruger klapvognen.
- ! For at undgå strangulering skal du sørge for, at dit barn er fri af kalechen.
- ! Slå altid bremserne til, når du parkerer klapvognen.
- ! Stop med at bruge klapvognen, hvis den er beskadiget eller ødelagt.
- ! Klapvognen må kun bruges i gå-hastighed. Dette produkt er ikke beregnet til brug under løb.
- ! For at undgå kvælning skal plastikposen og alle emballagematerialer fjernes, inden produktet tages i brug. Plastikposen og emballagen skal derefter holdes væk fra babyer og børn.
- ! Dette produkt er ikke beregnet til brug under løb eller skating.
- ! Det anbefales at bruge en særligt egnet skråstol i tilbagelænet tilstand til babyer.

- ! Parkeringsbremsen skal slås til, når du skal anbringe barnet eller tage det op.
- ! Denne klapvogn kan ikke, sammen med autostolen, erstatte en barneseng eller en seng til spædbørn. Hvis barnet skal sove, bør du anbringe det i en passende barnevognskasse, barneseng eller seng.
- ! Barnesengen må ikke bruges, så snart barnet er i stand til at sidde selv, rulle rundt og trykke sig selv op på hænder og knæ. Barnets maksimale vægt: 9 kg.
- ! Der må IKKE bruges eller lægges en anden madras i bæresengen end den, der følger med.
- ! Læg ikke genstande på håndtaget, ryglænet eller på klapvognens sides. Enhver ekstra belastning vil påvirke klapvognens stabilitet og kunne medføre, at klapvognen vipper.
- ! Der må ikke tilføjes nogen ekstra madrasser, medmindre fabrikanten anbefaler det.
- ! Klapvognen må ikke foldes sammen, når sædet vender bagud.

Sådan samles klapvognen

(Se venligst billederne på 1-12)

Læs alle instruktionerne i denne vejledning, inden du samler og tager produktet i brug.

Åbn klapvogn

se billeder ① - ③

Adskil opbevaringslåse fra opbevaringsmonteringen ①, og løft derefter håndtaget opad ②, hvorefter der lyder et klik, hvilket betyder at klapvognen er helt åbn.

! Tryk fodstøtten ned og nulstil den. ③ - 1

! Knap knappen under lægstøtten. ③ - 2

! Kontroller at klapvognen er foldet helt ud, før du går videre.

Montér og afmonter forhjul

se billeder ④ - ⑤

Montér og afmonter baghjul

se billeder ⑥ - ⑧

Montering af kaleche

se billeder ⑨ - ⑩

Monter og afmonter armstøtte

se billeder ⑪ - ⑫

Den færdigsamlede klapvogn er vist som ⑬

Sådan bruges klapvognen

Justering af ryglænet

se billeder 14 - 15

Ryglænet har 5 lænevinkler.

Læg ryglænet tilbage

For at sænke ryglænet, skal du trykke på håndtaget til at læne sædet tilbage bag på sædet, og ryglænet lægges tilbage. 14

Hæv ryglænet

Tryk opad, for at hæve ryglænet. 15

! Indstil ryglænet i en passende vinkel.

! Opbevaringslommen på bagsiden af ryglænet må højst holde 0,45 kg.

Brug af spændet

se billeder 16 - 17

Spænd spændet op

Tryk på knappen, så spændet frigøres automatisk. 16

Lås spændet

Sæt spændet på taljeselen sammen med skulderspændet 17 - 1, og sæt dem sammen med midterspændet, så spændet kan låses automatisk. 17 - 2 Et "Klik" betyder, at spændet er låst. 17 - 3

! For at undgå, at barnet kommer til skade ved at falde eller glide ud, skal du altid bruge selen til barnet.

! Sørg for at dit barn sidder godt fastspændt. Afstanden mellem barnet og skulderselerne skal være ca. som tykkelsen af en hånd.

! Kryds ikke skulderremmene. Dette vil medføre pres på barnets hals.

Brug skulder- og taljeseler

se billeder 18 - 21

! Når barnet sidder i autostolen, skal du sørge for, at skulder- og taljeselerne er i den korrekte højde og længde, så barnet ikke kan falde ud.

18 - 1 Fastgørelsespunkt for skulderseler

18 - 2 Glidejustering

Større børn skal bruge fastgørelsespunkt til skuldersele og den højeste skulderplacering. Mindre børn skal bruge fastgørelsespunkt til skuldersele og lavere skulderplacering.

! Placeringen af spændet på skulderselen kan justeres over åbningen, der spændes af spænderne eller under lommen.

19 - 1

Hvis du vil justere placeringen af fastgørelsespunktet for skuldersele, skal du vende spændet, så det ligger plant fremad. Stik det igennem skulderselen bagfra. 19 Før den igennem det hul, der er tættest på barnets skulderhøjde. 20

Brug glidejusteringen til at ændre selens længde. 21 - 1

Tryk på knappen 21 - 2, mens taljeselen trækkes til den korrekte længde. 21 - 3

Justering af lægstøtten

se billeder 22 - 23

Lægstøtten har 2 indstillinger.

For at hæve lægstøtten skubbes den opad. 22 Der lyder et "klik", når den er låst på plads.

For støtte af læggen trykkes på justeringsknapperne på begge sider af lægstøtten 23 - 1, og drej lægstøtten nedad. 23 - 2

Brug af forhjulslåsen

Se billederne 24

Forhjulet er låst eller låst op som vist i 24.

Tip Det anbefales at bruge hjullåsen på ujævne overflader.

Brug af bremsen

se billeder 25 - 26

Træd på bremsepedalen, for at låse hjulene. 25

For at låse hjulene op, skal du løfte bremsepedalen op. 26

Tip Lås altid hjulene, når du ikke kører med klapvognen.

Brug af kalechen

se billeder 27 - 28

Kalechen kan åbnes og foldes sammen, ved at trække den frem og tilbage.

Kalechen kan åbnes helt for at beskytte dit barn mod solen, bare åbn lynlåsen, 27 og træk kalechen fremad.

Der er et vindue på kalechen, hvorigennem du kan se din baby. 28

Justering af håndtaget

Se billederne 29

Håndtaget har 4 positioner.

Justering af sædehøjde

se billeder 30 - 31

Sædet har 4 positioner.

Træk sædet op for, at hæve sædehøjden. 30

Tryk på knapperne til justering af sædehøjde, og træk sædet op. Tryk sædet ned for, at sænke sædehøjden. 31

Skift af sæde

se billeder 32 - 38

Sædet kan vendes om, så mor og barn kan være ansigt til ansigt.

Tryk på frigivelsesknapperne til sædet og løft sædet. Drej sædet i om, og sæt sædet i sædebeslagene.

Begge sædebeslag skal være plan, som vist i 33. Hvis situationerne, der er vist i 34 & 35 opstår, skal du trykke på knappen til justering af sædets højde. Træk sædet op og tryk det derefter ned for, at sænke sædehøjden, så du sikre at begge sædebeslag er plan. 36

Brug af kurv

Se billederne 39

Løsn knapperne i kurven for, at få mere plads i kurven. 39 - 1

Opbevaringslomme A på bagsiden af ryglænet må hver højst holde 0,45 kg.

For at forhindre en farlig, ustabil tilstand, må du ikke anbringe mere end 4,5 kg i opbevaringskurven og opbevaringslomme B.

Sådan foldes klapvognen sammen

se billeder 40 - 43

! Kalechen skal foldes sammen, inden klapvognen foldes sammen.

Tryk på foldeknappen og træk op. 40 Drej derefter håndtaget nedad, 41 hvorefter foldelåsen automatisk låses. 42

- ! Hvis sædet er i den nederste position, kan det glide ned, når klapvognen foldes for at sikre, at foldelåsen låses automatisk.
- ! Klapvognen må ikke foldes sammen, når sædet vender bagud. 43
- ! Fold ikke stellet, når forhjulets drejelås er låst.
- ! Klapvognen med et fremadvendt sæde kan stå, når håndtaget er i den øverste position.

Brug af tilbehør

Tilbehør sælges muligvis separat og er muligvis ikke tilgængeligt i dit område.

Brug af regnslaget

Se billederne 44

For at samle regnslaget, skal det placeres over sædet.

- ! Når regnslaget bruges, skal du altid sørge for at der er ventilation.
- ! Inden regnslaget pakkes sammen, skal du sørge for at det er blevet rengjort og er ordentligt tørt.
- ! Fold ikke klapvognen sammen, når regnslaget sidder på.
- ! Undgå, at barnet sidder i klapvognen med regnslaget på i varmt vejr.

Brug med babyautostol

se billeder 45 - 49

Hvis produktet bruges med en Joie babyautostol i-Gemm 2 & i-Level & i-Snug, bedes du venligst følge følgende vejledninger.

- ! Der lyder et "klik", når adapteren er låst helt.

- ! Autostolens vinkel kan justeres med vores justerbare adaptere. 47
- ! Adapteren har 3 positioner. Brug ikke produktet, hvis babyens hoved er lavere end fødderne, når autostolen er sat på.
- ! Hvis du har spørgsmål om brug af autostolen, bedes du venligst se brugervejledningen til denne.
- ! Klapvognen må ikke foldes sammen, når autostolen stadig er i klapvognen.

Brug med en Joie bæreseng

se billeder 50 - 53

Hvis dette produkt bruges med en Joie bæreseng ramble eller ramble xl, skal du se følgende vejledninger.

- ! Hvis du har spørgsmål om brug af bæreseng, bedes du venligst se brugervejledningen til denne.
- ! Brug ikke produktet, hvis babyens hoved er lavere end fødderne, når bæresengen er sat på.
- ! Brug altid madrassen når bæresengen anvendes.
- ! Fold venligst ikke klapvognen sammen, når du monterer bæresengen.

Brug indlæg

se billeder 54 - 55

Afmonter og samling af bløde varer

se billeder 56 - 64

1. Fjern armstøtte vist som 12
2. Åbn spændet i bunden af sædet. 56

Følg nedenstående trin i omvendt rækkefølge, for at sætte de bløde dele på igen 64 - 56

Rengøring og vedligeholdelse

Se billederne 65

- ! Stellet må kun rengøres med almindeligt sæbevand. Det må ikke rengøres med blegemiddel eller rengøringsmidler. Se venligst rengøringsinstruktionerne på stofdelene på klapvognen.
- ! Aftagelige bløde varer kan vaskes med maskine. Den må ikke vaskes med blegemiddel. Undgå at vride sædebetræk og puder for at tørre med stor kraft. Det kan give delene folder.
- ! Kontroller regelmæssigt klapvognen for løse skruer, slidte dele, ødelagt stof eller syninger. Udskift eller reparer delene efter behov. Tør regelmæssigt plastikdelene af med en fugtig klud. Tør altid metaldelene af, så de ikke rustner, hvis klapvognen er kommet i kontakt med vand.
- ! Hvis klapvognen udsættes for sol eller varme i længere tid, kan nogle af delene blive slidt eller skæve.
- ! Hvis klapvognen bliver våd, skal du åbne kalechen, og lad den tørre grundigt inden den gemmes væk.
- ! Hvis hjulene piber, skal de smøres med en let olie (fx silikonespray, rustfrit olie eller symaskineolie). Det er vigtigt at få olien ind i akslen og hjulsamlingen. 65
- ! Hvis klapstolen bruges på en strand eller andre sandede/støvede miljøer, skal den rengøres grundigt efter brug. Fjern alt sand og salt på de mekaniske dele og på hjulsamlingerne.

NO Velkommen til Joie™

Gratulerer med å bli en del av Joie-familien! Vi er så glade for å bli en del av reisen til deg og barnet ditt. Når du er på tur med Joie aeria, bruker du en fullsertifisert barnevogn av høy kvalitet, godkjent i henhold til europeiske sikkerhetsstandarder EN 1888-2:2018. Dette produktet er egnet for barn opptil det som kommer først av 22 kg eller 4 år. Les nøye gjennom denne håndboken og følg alle trinn for en behagelig tur der barnet er så godt beskyttet som mulig.

VIKTIG - LES NØYE OG BEHOLD FOR FREMTIDIG OPPSLAG.

Besøk oss på joiebaby.com for å laste ned bruksanvisninger og se flere spennende Joie-produkter.

Du finner garantiinformasjon på vårt nettsted: joiebaby.com

Innhold

Figurer	1-12
ADVARSEL	225
Montering av barnevogn	228
Åpne barnevognen	228
Montere og løsne forhjulet	228
Montere og løsne bakhjulet	228
Montere kalesjen	228
Montere og løsne armstang	228

Bruk av barnevogn	229
Justere ryggstøtten	229
Bruke spennen	229
Bruke skulder- og midjeseler	230
Justere leggstøtten	230
Bruke fremre svingelås	231
Bruke brems	231
Bruke kalesje	231
Justeringshåndtak	231
Juster setehøyde	231
Bytte sete	232
Bruke oppbevaringskurven	232
Brette barnevogn	232
Bruke tilbehør	233
Løsne og montere de myke delene	234
Rengjøring og vedlikehold	236

Nødsituasjon

Ved nødstilfeller eller ulykker er det viktigste at barnet blir tatt hånd om med førstehjelp og medisinsk behandling umiddelbart.

Produktinformasjon

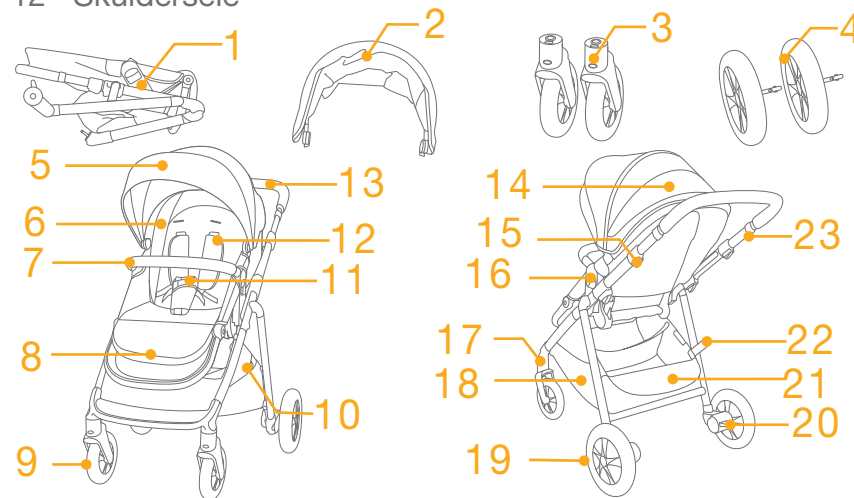
Les alle instruksjonene i denne bruksanvisningen før du bruker dette produktet. Hvis du har flere spørsmål, kan du høre med forhandleren. Noen funksjoner kan variere fra modell til modell.

Produkt	Aeria barnevogn
Egnet for	barn opptil det som kommer først av 22 kg eller 4 år.
Materialer	Plast, metall, tekstiler
Patentnr.	Patentmeldt
Laget i	Kina
Merkenavn	Joie
Nettsted	www.joiebaby.com
Produsent	Allison GmbH

Deleliste

Påse at du har alle delene før montering. Hvis noen del mangler, kontakter du din lokale forhandler. Det kreves ingen verktøy for montering.

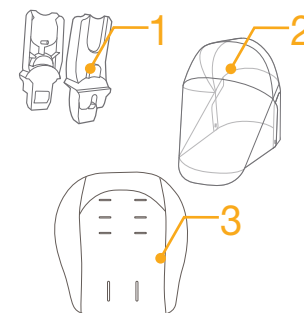
- | | | | |
|----|------------------|----|------------------------|
| 1 | Barnevognramme | 13 | Håndtak |
| 2 | Kalesje | 14 | Kalesjevindu |
| 3 | Forhjul | 15 | Bretteknapp |
| 4 | Bakhjul | 16 | Seteutløserknapp |
| 5 | Kalesje | 17 | Svinglås |
| 6 | Setepute | 18 | Oppbevaringsveske A |
| 7 | Armstang | 19 | Bakhjul |
| 8 | Leggstøtte | 20 | Bremsespak |
| 9 | Forhjul | 21 | Oppbevaringsveske B |
| 10 | Oppbevaringskurv | 22 | Oppbevaringslås |
| 11 | Spenne | 23 | Håndtakjusteringsknapp |
| 12 | Skuldersele | | |



Tilbehør

(Kanskje ikke inkludert)

- 1 Adapter (på visse modeller)
- 2 Regntrekk (på enkelte modeller)
- 3 Innlegg (på enkelte modeller)



Tilbehør kan selges separat eller ikke avhengig av region.

ADVARSEL

- ! ADVARSEL Bruk alltid beltesystemet. Sikkerhetsbelter og setesystemer må brukes riktig.
- ! ADVARSEL Sørg for at alle låsene er låst før bruk.
- ! ADVARSEL Ikke la barnet leke med dette produktet.
- ! ADVARSEL Kontroller at kroppen til barnevognene, seteenheten eller bilstolfestene er riktig festet før bruk.
- ! Må settes sammen av en voksen.
- ! Dette produktet er egnet for barn opptil det som kommer først av 22 kg eller 4 år.
- ! Ikke legg mer enn 4,5kg i oppbevaringskurven for å hindre farlig ustabilitet.
- ! La aldri barnet være uten tilsyn. Hold alltid barn i sikte i barnevognen.
- ! Bruk barnevognen med bare ett barn om gangen. Plasser aldri vesker, handleposer, pakker eller tilbehør på håndtaket eller kalesjen.
- ! Tilbehør som ikke er godkjent av produsenten, skal ikke brukes. Kun erstatningsdeler som leveres eller anbefales av produsenten, skal brukes.
- ! Overbelastning, feil bretteing eller bruk av deler fra andre produsenter kan føre til at vognen blir skadet, ødelagt eller usikker. Les instruksjonsboken nøye.
- ! Les alle instruksjonene i bruksanvisningen før du bruker produktet. Ta vare på bruksanvisningen for fremtidig bruk. Dersom ikke disse advarslene og instruksjonene følges, kan det føre til alvorlig personskade eller dødsfall.
- ! For å unngå alvorlig skade fra fall eller skliing må sikkerhetsbeltet alltid brukes.
- ! Sørg for at kroppen til barnet er fri fra bevegelige deler når du justerer vognen.
- ! Sørg for at barnevognen er helt åpen eller brettet før du lar barnet være i nærheten av barnevognen.

- ! Barnet kan gli inn i benåpningene og bli kvalt hvis selen ikke brukes.
- ! Bruk aldri barnevogner på trapper eller rulletrapper.
- ! Hold unna gjenstander med høye temperaturer, væsker og elektronikk.
- ! La aldri barnet stå på eller sitte i vognen med hodet mot forsiden av vognen.
- ! Plasser aldri vognen på veier, bakker eller farlige steder.
- ! For å unngå kvelning må du ikke plassere gjenstander med en streng rundt barnets nakke, henge strenger fra dette produktet eller feste strenger til leker.
- ! En belastning som er festet til håndtaket, på baksiden av ryggstøtten og/eller på sidene av vognen, vil påvirke stabiliteten.
- ! IKKE løft barnevognen mens barnet er i den.
- ! IKKE legg barn i oppbevaringskurven.
- ! For å forhindre at barnevognen velter må du aldri la barnet klatre i den. Løft alltid barnet inn og ut av barnevognen.
- ! For å unngå at fingre setter seg fast må du være forsiktig når du bretter sammen og opp vognen.
- ! For å unngå skade må du sørge for at barnet holdes vekke når produktet brettes og brettes opp.
- ! For å ivareta sikkerheten til barnet må du sørge for at alle delene er ordentlig montert og festet før du bruker barnevognen.
- ! For å unngå kvelning må du sørge for at barnet ditt holdes godt borte fra kalesjen.
- ! Sett alltid på bremsene når du parkerer vognen.
- ! Slutt å bruke barnevognen hvis den er skadet eller ødelagt.
- ! Barnevognen skal kun brukes i ganghastighet. Dette produktet er ikke ment for bruk under jogging.
- ! For å unngå kvelning må du fjerne plastposen og emballasjen før du bruker dette produktet. Plastposen og emballasjematerialet skal deretter holdes borte fra babyer og barn.

- ! Produktet er ikke egnet for løping eller skøyte løp.
- ! I sportsvogn designet for bruk fra fødselen av, skal den mest tilbaketrente posisjonen brukes for nyfødte babyer.
- ! Parkeringsbremsen skal være aktiv når barn settes i og tas ut.
- ! For barneseter som brukes sammen med undervogn erstatter ikke denne barnevognen en barneseng eller en seng. Dersom barnet trenger å sove, må det legges i en egnet barnevogn, barneseng eller seng.
- ! Slutt å bruke bæresengen så snart barnet er i stand til å sitte alene, rulle rundt og dytte seg opp på hendene og knærne. Maksimal vekt på barnet: 9 kg.
- ! IKKE bruk eller legg i noen annen madrass enn den som leveres av bæresengen.
- ! Ikke fest gjenstander til håndtaket, seteryggen eller sidene av barnevognen. Ekstra belastning vil påvirke stabiliteten til barnevognen og kan gjøre at vognen velter.
- ! Ingen ekstra madrasser skal legges til, med mindre det anbefales av produsenten.
- ! Ikke brett rammen når setet er fremovervendt.

Montering av barnevogn

(Se figurene på side 1-12).

Les alle instruksjonene i denne bruksanvisningen før du monterer og bruker produktet.

Åpne barnevognen

se bilder ① - ③

Ta oppbevaringslåsen av oppbevaringsfestet ①, og løft deretter håndtaket oppover ②. Når det høres et klikk, betyr det at barnevognen er helt åpen.

! Trykk fotstøtten ned og tilbakestill den. ③ - 1

! Fest knappen under leggstøtten. ③ - 2

! Kontroller at barnevognen er helt låst før du fortsetter å bruke.

Montere og løsne forhjulet

se bilder ④ - ⑤

Monter og løsne bakhjulet

se bilder ⑥ - ⑧

Montere kalesjen

se bilder ⑨ - ⑩

Montere og løsne armstang

se bilder ⑪ - ⑫

Den ferdigmonterte barnevognen er vist som ⑬

Bruk av barnevogn

Justere ryggstøtten

se bilder 14 - 15

Ryggstøtten kan lenes til 5 vinkler.

Lene ryggstøtten bak

For lene ryggstøtten klemmer du lenehåndtaket på baksiden av setet og trekker ned på ryggstøtten. 14

Løfte ryggstøtten opp

Trykk opp for å heve ryggstøtten. 15

! Pass på at lenevinkelen er satt riktig for bruk.

! Den maksimale belastningen til oppbevaringslommen på baksiden av ryggstøtten er 0,45 kg.

Bruke spennen

se bilder 16 - 17

Frigjøre spennen

Trykk knappen for å frigjøre spennen automatisk. 16

Låse spennen

Sett midjebeltespennen på linje med skulderspennen 17 - 1, og sett dem på linje med midtspennen slik at spennen låses automatisk. 17 - 2 Når du hører et «klikk», betyr det at kalesjen er helt låst. 17 - 3

! For å unngå alvorlig skade fra fall eller skliing må barnet alltid sitte med sikkerhetsbelte.

! Sørg for at barnet er godt på plass. Avstanden mellom barnet og skulderbeltet skal være på omtrent tykkelsen til en hånd.

! Ikke kryss skulderbeltene. Det vil forårsake trykk på barnets nakke.

Bruke skulder- og midjeseler

se bilder 18 - 21

! For å beskytte barnet fra å falle ut bør du kontrollere at skulder- og midjebeltene har riktig høyde og lengde etter at barnet settes i setet.

18 - 1 Skulderseleanker

18 - 2 Skyvejustering

For større barn bruker du skulderseleanker A og de øverste skuldersporene. For mindre barn bruker du skulderseleankeret og de nedre skuldersporene.

! Posisjonen til skulderbelteankeret kan justeres fra åpningen over og lukkes av festene eller lommen under. 19 - 1

Juster posisjonen til skulderseleankeret ved å dreie det slik at det er på linje med siden vendt fremover. Tre det gjennom skulderseleslissen bakfra og frem. 19 Tre den igjen gjennom slissen som er nærmest skulderhøyden til barnet. 20

Bruk skyvejusteringen til å endre seleglengen. 21 - 1

trykk knappen 21 - 2 mens du trekker midjeselen til riktig lengde. 21 - 3

Justere leggstøtten

se bilder 22 - 23

Leggstøtten har to stillinger.

Hev leggstøtten ved å trykke den oppover. 22 Når du hører et «klikk», betyr det at leggstøtten er helt låst.

For å senke leggstøtten trykker du justeringsknappene på begge sider av leggstøtten 23 - 1, og dreier leggstøtten nedover. 23 - 2

Bruke fremre svingelås

se bilder 24

Forhjul låst eller ulåst status som 24.

Tips Svingelåsene bør brukes på ujevne overflater.

Bruke brems

se bilder 25 - 26

Lås hjulene ved å trække bremsespaken nedover. 25

Løsne hjulene ved å løfte bremsespaken oppover. 26

Tips Slå alltid på parkeringsbremsen når barnevognen står stille.

Bruke kalesje

se bilder 27 - 28

Kalesjen kan åpnes eller brettes ved å trekke den frem eller bak.

Kalesjen kan åpnes helt for å beskytte barnet ditt helt mot solen. Bare åpne glidelåsen 27, og trekk kalesjen ut mot forsiden.

Det er et vindu på kalesjen der du kan se barnet. 28

Justeringshåndtak

se bilder 29

Håndtaket har 4 stillinger.

Juster setehøyde

se bilder 30 - 31

Setet har 4 stillinger.

Trekk opp setet for å øke setehøyden. 30

Trykk justeringsknappene for setehøyde og trekk opp, og trykk ned for å redusere setehøyden. 31

Bytte sete

se bilder 32 - 38

Setet kan skiftes slik at mor og barn kan se hverandre ansikt til ansikt.

Klem seteutløserknappene mens du løfter setet. Snu setet i motsatt retning, og sett deretter setet inn i setefestene.

Begge setefestene må være i vater som på 33. Hvis det er som på 34 & 35, trykker du justeringsknappene for setehøyde og trekker opp, og trykker ned for å redusere setehøyden slik at begge setefestene er i vater. 36

Bruke oppbevaringskurven

se bilder 39

Løsne knappene i kurven for å øke plassen i kurven. 39 - 1

Den maksimale belastningen til oppbevaringspose A på begge sider av kurven er 0,45 kg.

Ikke legg mer enn 4,5 kg i oppbevaringskurven og oppbevaringsveske B for å hindre en farlig, ustabil situasjon.

Brette barnevogn

se bilder 40 - 43

! Brett ned kalesjen før du bretter vognen.

Trykk bretteknappen og trekk opp, 40 og drei deretter håndtaket nedover, 41 så låses brettelåsen automatisk. 42

- ! Hvis setet er i den nedre posisjonen, kan det gli ned mens du bretter sammen barnevognen for å sikre at brettelåsen låses automatisk.
- ! Ikke brett rammen når setet er fremovervendt. 43
- ! Ikke brett rammen når svinglåsen på forhjulet er låst.
- ! Barnevognen med fremovervendt sete kan stå når håndtaket er i høyeste posisjon.

Bruke tilbehør

Tilbehør kan selges separat eller ikke avhengig av region.

Bruke regntrekket

se bilder 44

Sett sammen regntrekket ved å plassere det over setet.

- ! Når du bruker regntrekket, må du alltid sjekke ventilasjonen.
- ! Når du er ferdig med å bruke regntrekket, må det gjøres rent og tørkes før det brettes sammen.
- ! Ikke brett vognen etter at regntrekket er satt på.
- ! Ikke legg barnet i barnevognen sammen med regntrekket på i varmt vær.

Bruke med barnesete

se bilder 45 - 49

Når du bruker Joie barnesete i-Gemm 2 & i-Level & i-Snug, kan du se følgende instruksjoner.

- ! Når du hører et «klikk», betyr det at adapteren er helt låst.

- ! Vinkelen på barnesetet kan justeres med våre justerbare adaptere. 47
- ! Adapteren har 3 stillinger. Ikke bruk produktet når hodet til spedbarnet er lavere enn føttene når barnesetet er satt på.
- ! Hvis du har problemer med å bruke barnesetet, må du se de gjeldende instruksjonshåndbøker.
- ! Ikke brett barnevognen når barnesetet fortsatt er satt på.

Brukes sammen med Joie bæreseng

se bilder 50 - 53

Når du bruker Joie bæreseng ramble eller ramble xl, kan du se følgende instruksjoner.

- ! Hvis du har problemer med å bruke bæresengen, må du se de gjeldende instruksjonshåndbøker.
- ! Ikke bruk produktet når hodet til spedbarnet er lavere enn føttene når bæresengen er satt på.
- ! Bruk alltid madrassen når du bruker bæresengen.
- ! Ikke brett barnevognen når du fester bæresengen.

Bruke innlegget

se bilder 54 - 55

Løsne og montere de myke delene

se bilder 56 - 64

1. Fjern armstangen som vist i 12
2. Åpne spennen nederst på setet. 56

Følg trinnene ovenfor i omvendt rekkefølge for å sette sammen de myke delene til setet 64 - 56

Rengjøring og vedlikehold

se bilder 65

- ! For å rengjøre rammen til barnevognen bruker du bare husholdningssåpe og varmt vann. Ikke bruk blekemiddel eller vaskemiddel. Se på pleieetiketten for instruksjoner om rengjøring av stoffdelene i barnevognen.
- ! Avtakbare myke varer kan vaskes i maskin. Ikke bruk blekemiddel. Ikke vri opp setetrekket og den indre polstringen med stor kraft for å tørke dem. Det kan gjøre at setetrekket og den indre polstringen blir rynket.
- ! Kontroller barnevognen iblant for å se etter løse skruer, slitte deler eller revne materialer eller sømmer. Bytt ut eller reparer delene etter behov. Tørk regelmessig av plastdelene med en myk, fuktig klut. Tørk alltid metalldelene hvis vognen har kommet i kontakt med vann for å forhindre at det kommer rust.
- ! Overdreven eksponering for sol eller varme kan føre til falming eller vridning av deler.
- ! Hvis barnevognen blir våt, må du åpne baldakinen og la den tørke grundig før du lagrer den.
- ! Hvis hjulene knirker, kan du bruke lett olje (f.eks. silisiumspray, antirustolje eller symaskinolje). Det er viktig å få oljen inn i akslingen og hjulenheten. 65
- ! Når barnevognen brukes på stranden eller på et annet sted med mye sand/støv, må den renses helt etterpå for å fjerne sand og salt fra mekanismene og hjulene.

SE Välkommen till Joie™

Gratulerar till att ha blivit en del av Joie-familjen! Vi är mycket glada över att vara delaktiga i din resa med ditt lilla barn. När du använder en Joie aeria använder du en sittvagn i hög kvalitet som är fullt certifierad och har godkänts av europeiska säkerhetsstandarden EN 1888-2:2018. Den här produkten är lämplig för barn upp till 22 kg eller 4 år beroende på vilket som inträffar först. Läs noga igenom denna bruksanvisning och följ alla steg för att garantera en komfortabel resa och bästa skyddet för ditt barn.

VIKTIGT - LÄS IGENOM NOGA OCH SPARA FÖR FRAMTIDA REFERENS.

Besök oss på joiebaby.com för att ladda ned bruksanvisningar och se fler spännande Joie-produkter!

Besök vår webbplats joiebaby.com för att få garantiinformation

Innehåll

Figurer	1-12
VARNING	241
Montera sittvagnen	244
Öppna sittvagnen	244
Montera och ta bort framhjul	244
Montera och ta bort bakhjul	244
Montera suffletten	244
Montera och ta bort armstöd	244

Använda sittvagnen	245
Justera ryggstödet	245
Använda spännet	245
Använda axel- och midjeselar	246
Justera benstödet	246
Använda främre riktningslåset	247
Använda bromsen	247
Använda suffletten	247
Justera handtaget	247
Justera sätets höjd	247
Byta plats på sätet	248
Använda förvaringskorgen	248
Fälla ihop sittvagnen	248
Använda tillbehör	249
Ta bort och montera mjuka delar	250
Rengöring och underhåll	252

Nödfall

Vid nödfall eller en olycka är det mycket viktigt att barnet omedelbart får första hjälpen och medicinsk behandling.

Produktinformation

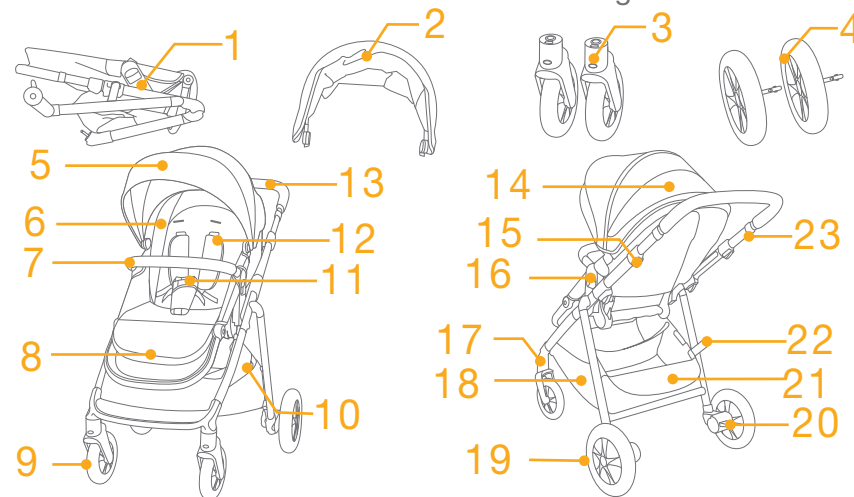
Läs igenom alla instruktionerna i denna manual innan produkten används. Om du har fler frågor så ber vi dig rådgöra med försäljaren. Vissa funktioner kan skilja sig åt mellan modeller.

Produkt	Aeria Stroller
Lämplig för	barn upp till 22 kg eller 4 år beroende på vilket som inträffar först.
Material	Plast, metall, tyg
Patentnr.	Patentansökan under behandling
Tillverkad i	Kina
Varumärkesnamn	Joie
Webbplats	www.joiebaby.com
Tillverkare	Allison GmbH

Lista över delar

Kontrollera att alla delar är tillgängliga före montering. Om någon del saknas, kontakta återförsäljaren. Inga verktyg behövs för montering.

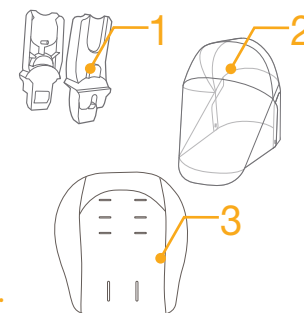
- | | | | |
|----|-----------------|----|-----------------------------|
| 1 | Sittvagnens ram | 13 | Handtag |
| 2 | Sufflett | 14 | Sufflettfönster |
| 3 | Framhjul | 15 | Ihopfällningsknapp |
| 4 | Bakhjul | 16 | Frigöringsknapp för sittdel |
| 5 | Sufflett | 17 | Riktningsslås |
| 6 | Sittdyna | 18 | Förvaringsväska A |
| 7 | Armstöd | 19 | Bakhjul |
| 8 | Benstöd | 20 | Bromsspak |
| 9 | Framhjul | 21 | Förvaringsväska B |
| 10 | Förvaringskorg | 22 | Förvaringsspärr |
| 11 | Spänne | 23 | Justeringsknapp för handtag |
| 12 | Axelsele | | |



Tillbehör

(medföljer eventuellt inte)

- 1 Adapter (på vissa modeller)
- 2 Regnskydd (på vissa modeller)
- 3 Inlägg (på vissa modeller)



Tillbehör kan säljas separat eller så kan de vara tillgängliga beroende på region.

VARNING

- ! VARNING Använd alltid fasthållningsanordningssystemet. Säkerhetsbälten och fasthållningsanordningssystemet måste användas korrekt.
- ! VARNING Kontrollera att alla spärrar är inkopplade före användning.
- ! VARNING Låt inte barnet leka med den här produkten.
- ! VARNING Kontrollera att liggdelen eller sittedelen eller bilstolstillbehören är ordentligt fastsatta innan användning.
- ! Måste monteras av vuxen.
- ! Den här produkten är lämplig för barn upp till 22 kg eller 4 år beroende på vilket som inträffar först.
- ! För att förhindra ett farligt och instabilt skick ska inte mer än 4,5 kg placeras i förvaringskorgen.
- ! Lämna aldrig barnet utan tillsyn. Håll alltid uppsikt över barnet när den är i sittvagnen.
- ! Använd sittvagnen med bara ett barn åt gången. Placera aldrig handväskor, shoppingväskor, paket eller accessoarer på handtaget eller suffletten.
- ! Tillbehör som inte är godkända av tillverkaren ska inte användas. Endast utbytesdelar som tillhandahålls eller rekommenderas av tillverkaren ska användas.
- ! Överbelastning, felaktig ihopfällning eller att använda komponentdelar från andra tillverkare kan leda till att sittvagnen skadas, går sönder eller blir osäker. Läs igenom bruksanvisningen noggrant.
- ! Läs igenom alla instruktionerna i bruksanvisningen innan produkten används. Spara bruksanvisningen för framtida användning. Underlåtenhet att följa dessa varningar och instruktioner kan resultera i allvarlig skada eller dödsfall.
- ! För att undvika allvarliga skador, från att barnet faller eller glider ur, ska säkerhetsbältet alltid användas.
- ! Var noga med att ditt barns kropp inte är i vägen för rörliga delar när du justerar sittvagnen.

- ! Var noga med att sittvagnen är helt öppen eller vikt innan ett barn får komma i närheten av sittvagnen.
- ! Barnet kan glida in i benöppningar och bli intrasslad om selen inte används.
- ! Använd aldrig sittvagnen i trappor eller rulltrappor.
- ! Håll på avstånd från föremål som har hög temperatur, vätskor och elektronik.
- ! Låt aldrig ditt barn stå på sittvagnen eller att sitta i sittvagnen med huvudet mot sittvagnens framdel.
- ! Placera aldrig sittvagnen på vägar, sluttningar eller i farliga områden.
- ! För att förhindra strypning, placera INTE föremål med snöre runt barnets hals, häng eller fäst inga snören från denna produkt eller på leksaker.
- ! All last som fästs på handtaget och/eller ryggstödet baksida och/eller på sittvagnens sidor påverkar sittvagnens stabilitet.
- ! Lyft INTE sittvagnen när barnet är kvar i sittvagnen.
- ! Använd INTE förvaringskorgen för att bära barnet.
- ! För att förhindra tippning får barnet aldrig klättra i sittvagnen. Lyft alltid barnet in i och ut från sittvagnen.
- ! För att undvika att fingrar fastnar så var försiktig när sittvagnen fälls ihop och fälls upp.
- ! För att undvika skador så kontrollera att barnet hålls på avstånd när den här produkten fälls upp och fälls ihop.
- ! För att säkerställa ditt barns säkerhet så var noga med att alla delar är ordentligt monterade innan du använder sittvagnen.
- ! För att undvika strypning så kontrollera att ditt barn är på avstånd från suffletten.
- ! Använd alltid bromsarna när du parkerar sittvagnen.
- ! Sluta använd sittvagnen om den är skadad eller trasig.
- ! Sittvagnen ska bara användas med gånghastighet. Den här produkten är inte avsedd att användas för jogging.

- ! För att undvika kvävningrisk, ta bort plastpåsen och förpackningsmaterialet innan produkten används. Plastpåsen och förpackningsmaterialet måste sedan hållas borta från spädbarn och barn.
- ! Den här produkten är inte lämplig för löpning eller rullskridskoåkning.
- ! Sittvagn som är konstruerad att användas från födseln ska rekommendera användningen för den maximala lutningspositionen för nyfödda barn.
- ! Parkeringsenheten ska användas när barn sätts i eller tas ut.
- ! Fasthållningsanordningar för spädbarn som används tillsammans med den här sittvagnen ersätter inte en barnsäng eller säng. Om ditt barn behöver sova ska det placeras i en lämplig liggdel, barnsäng eller säng.
- ! När barnet själv kan sitt upp och rulla runt och resa sig från knästående med hjälp av sina händer ska babyliften inte användas. Barnets maximala vikt: 9kg.
- ! Använd INTE eller lägg till någon annan madrass än den som följde med babyliften.
- ! Fäst inte föremål på handtaget, sätets baksida eller sittvagnens sidor. Alla ytterligare belastningar påverkar sittvagnens stabilitet och kan göra så att sittvagnen välter.
- ! Om inte tillverkaren rekommenderar det ska inte fler madrasser användas.
- ! Fäll inte ihop ramen när sätet är framåtvänt.

Montera sittvagnen

(se figurer på sida 1-12)

Läs igenom alla instruktionerna i denna bruksanvisning innan den här produkten monteras och används.

Öppna sittvagnen

se bilder ① - ③

Ta isär förvaringsfästet och förvaringssparren ① och lyft sedan handtaget uppåt. ② När det hörs ett klickljud är sittvagnen helt öppnad.

! Tryck ned fotstödet för att återställa. ③ - 1

! Fäst knappen under benstöden. ③ - 2

! Kontrollera att sittvagnen är helt spärrad innan du fortsätter att använda den.

Montera och ta bort framhjul

se bilder ④ - ⑤

Montera och ta bort bakhjul

se bilder ⑥ - ⑧

Montera sufflett

se bilder ⑨ - ⑩

Montera och ta bort armstöd

se bilder ⑪ - ⑫

Den färdigmonterade sittvagnen visas i 13

Använda sittvagnen

Justera ryggstödet

se bilder 14 - 15

Det finns 5 lutningsvinklar för ryggstödet.

Luta ryggstödet

För att luta ryggstödet så kläm lutningshandtaget på sätets baksida och dra ryggstödet nedåt. 14

Höj upp ryggstödet

Räta upp ryggstödet genom att trycka uppåt. 15

! Kontrollera att lutningen är ordentligt inställd för användningen.

! Maximal vikt på det som läggs i förvaringsfickan baktill är 0,45 kg.

Använda spännet

se bilder 16 - 17

Öppna spännet

Tryck på knappen så öppnas spännet automatiskt. 16

Lås spännet

Passa ihop höftbältets spänne med axelspännet 17 - 1 och rikta in dem med mitten spännet så att spännet kan låsas automatiskt. 17 - 2 Ett "klick"-ljud betyder att spännet är helt låst. 17 - 3

! För att undvika allvarliga skador, från att barnet faller eller glider ur, ska barnet sättas fast med selen.

! Kontrollera den är snävt åtdragen runt ditt barn. Utrymmet mellan barnet och axelselen ska vara ungefär en hand tjock.

! Kors inte axelremmarna. Det orsakar ett tryck på barnets hals.

Använd axel- och midjeselar

se bilder 18 - 21

! För att kunna skydda ditt barn från att falla ut efter att ditt barn är placerat i sätet så kontrollera att axel- och midjeremmen är på rätt höjd och har rätt längd.

18 - 1 Axelseleförankring

18 - 2 Glidreglage

För större barn så använd axelseleförankringen och de högsta öppningarna för axelselen. För mindre barn ska axelseleförankringen användas på de nedersta öppningarna för axelselen.

! Placeringen av axelremsförankring kan justeras från ovan öppning som stängs av fästen eller nedan ficka. 19 - 1

För att justera positionen för axelseleförankringen så vrid förankringen så att den är i nivå med den sida som är riktad framåt. Trä igenom öppningen för axelremmen från baksida till framsida. 19 Trä igenom igen genom öppningen som är närmast barnets axelhöjd. 20

Använd glidreglaget för att ändra selens längd. 21 - 1

Tryck på knappen 21 - 2 under tiden som du drar midjeselen till lämplig längd. 21 - 3

Justera benstödet

se bilder 22 - 23

Benstödet har 2 lägen.

För att höja benstödet så tryck det uppåt. 22 Ett "klick"-ljud betyder att benstödet har låsts.

För att sänka benstöden så tryck på justeringsknapparna på båda sidor om benstöden 23 - 1 och rotera benstödet nedåt. 23 - 2

Använda främre riktningsslåset

se bilder 24

Framhjul låst eller olåst status som 24.

Tips Det är att rekommendera att använda riktningsslås på ojämna ytor.

Använda bromsen

se bilder 25 - 26

Du låser hjulen genom att trampa ned bromsspaken. 25

För att frigöra hjulen så lyft bara bromsspaken uppåt. 26

Tips Använd alltid parkeringsbromsen när sittvagnen inte rör sig.

Använda suffletten

se bilder 27 - 28

Suffletten öppnas och stängs genom att dra i den framåt eller bakåt.

Suffletten kan öppnas helt och hållet för att på bästa sätt skydda ditt barn från solen, öppna bara blixtlåset 27 och dra sedan suffletten mot framsidan.

På suffletten finns ett fönster som du kan se din bebis genom. 28

Justera handtaget

se bilder 29

Handtaget har 4 lägen.

Justera sätets höjd

se bilder 30 - 31

Sätet har 4 delar.

Dra upp sätet för att öka sätets höjd. 30

Tryck på knapparna för säteshöjjustering och dra uppåt, tryck sedan nedåt för att minska sätets höjd. 31

Byta plats på sätet

se bilder 32 - 33

Sätet kan ändras så att mor och barn kan vara ansikte mot ansikte.

Tryck på sittdelens frigöringsknapp samtidigt som du lyfter sittdelen. Vrid sittdelen till omvänd riktning och sätt sedan in sittdelen i sittdelens fästen.

Båda sätesfästena måste vara i nivå som visas i 33 i det som visas i 34 och 35 inträffar så tryck på knappen för säteshöjjustering och dra uppåt. Tryck sedan nedåt för att minska sätets höjd och vara säker på att båda sätesfästena är i nivå. 36

Använda förvaringskorgen

se bilder 39

Ta bort knapparna i korgen för få mer plats i korgen. 39 - 1

Maximal vikt på det som läggs i förvaringsväska A på båda sidorna om korgen är 0,45 kg.

För att förhindra ett farligt och instabilt skick ska inte mer än 4,5 kg placeras i förvaringskorgen och förvaringsväska B.

Fälla ihop sittvagnen

se bilder 40 - 43

! Stäng suffletten innan sittvagnen viks ihop.

Tryck på ihopfällningsknappen och dra uppåt 40 rotera sedan handtaget nedåt 41 ihopfällningsspärren kan låsas automatiskt. 42

- ! Om sätet är i den lägre positionen kan den skjutas ned när sittvagnen fälls ihop för att vara säker på att ihopfällningsspärren låses automatiskt.
- ! Fäll inte ihop ramen när sätet är framåtvänt. 43
- ! Fäll inte ihop ramen när hjulriktningsslåset är låst.
- ! Sittvagnen med framåtvänt säte kan så när handtaget är i den högsta positionen.

Använda tillbehör

Tillbehör kan säljas separat eller så kan de vara tillgängliga beroende på region.

Använda regnskydd se bilder 44

För att montera regnskyddet ska det placeras över sätet.

- ! När regnskyddet används så kontrollera alltid dess ventilation.
- ! När det inte används så kontrollera att regnskyddet har rengjorts och torkats innan det viks ihop.
- ! Fäll inte ihop sittvagnen efter att regnskyddet monterats.
- ! Placera inte ditt barn i sittvagnen med regnskyddet monterat när det är varmt väder.

Använda med fasthållningsanordning för spädbarn se bilder 45 - 49

När en Joie fasthållningsanordning i-Gemm 2 & i-Level & i-Snug används så vänligen se följande instruktioner.

- ! Ett "klick"-ljud betyder att adaptern har låsts.

- ! Vinkeln för fasthållning av spädbarn kan justeras med våra justerbara adaptrar. 47
- ! Adaptrarna har 3 positioner. Använd inte produkten med barnets huvud placerat lägre än fötterna efter att fasthållningsanordningen för spädbarn satts fast.
- ! Om du har några problem med att använda fasthållningsanordningen för barn så se deras egna bruksanvisningar.
- ! Vik inte ihop sittvagnen när fasthållningsanordningen för spädbarn fortfarande sitter fast.

Använda med Joie-babylift se bilder 50 - 53

Vid användning med Joie-babylift ramble, ramble xl, se följande instruktioner.

- ! Om du har några problem med att använda babyliften så vänligen se deras egna bruksanvisningar.
- ! Använd inte produkten med barnets huvud placerat lägre än fötterna efter att babyliften satts fast.
- ! ! Använd alltid madrassen när du använder babyliften.
- ! Vik inte ihop barnvagnen när babyliften monteras.

Använda inlägg se bilder 54 - 55

Ta bort och montera mjuka delar

se bilder 56 - 64

1. Ta bort armstödet som visas i 12

2. Öppna spännet som finns nedtill på sitsen. 56

Följ ovanstående steg i motsatt ordning för att ta bort sitsens mjuka delar 64 - 56

Rengöring och underhåll

se bilder 65

- ! För att rengöra sittvagnens ram ska bara vanlig tvål och varmt vatten användas. Använd inte blekning eller rengöringsmedel. Se tvättrådsetiketten för instruktioner om rengöring av sittvagnens tygdelar.
- ! Mjuka delar som är avtagbara kan tvättas i maskin. Blek inte. Använd inte mycket kraft för att vrida ur sätesmaterialet och kuddarna när de ska torkas. Det kan göra att sätesmaterialet och inre kuddarna veckas.
- ! Kontrollera din sittvagn då och då för att se om skruvar sitter löst, delar är slitna, material sönderrivet eller sprucket i sömmarna. Byt eller reparera delarna efter behov. Torka regelbundet av plastdelar med en mjuk fuktig trasa. Torka alltid av metalldelar för att förhindra att det bildas rost om sittvagnen har kommit i kontakt med vatten.
- ! Överdriven exponering för sol eller värme kan göra så att delarna bleknar eller missformas.
- ! Om sittvagnen blir blöt så öppna suffletten och låt den torka ordentligt innan den lagras.
- ! Om hjulen gnisslar så använd en lätt olja (t.ex. silikonsprej, antirostolja eller symaskinsolja). Det är viktigt att oljan tränger in i axeln och hjulmontaget. 65
- ! När du använder din sittvagn på stranden eller andra sandiga/dammiga miljöer så rengör din sittvagn efter användningen för att ta bort sand och salt från mekanismer och hjulmontaget.

FI Tervetuloa Joie™-perheeseen

Onnittelut liittymisestä Joie-perheeseen! Olemme innoissamme osallistumisestamme matkaanne pienokaisenne kanssa. Matkustaessanne Joie aeria -tuotteen kanssa, käytätte korkealaatuisia, täysin sertifioituja lastenvaunuja, jotka ovat eurooppalaisten turvallisuusstandardien EN 1888-2:2018 mukaisia. Tämä tuote soveltuu lapsille 22 kg:n painoon tai 4-vuotiaaksi saakka, kumpi vain toteutuu ensin. Lue tämä käyttöopas huolellisesti ja noudata kaikkia ohjeita varmistaaksesi mukavan matkan ja parhaan suojauksen lapselle.

TÄRKEÄÄ - LUE HUOLELLISESTI JA SÄILYÄ TULEVAA KÄYTTÖÄ VARTEN.

Siirry osoitteeseemme Joiebaby.com lataamaan käyttöoppaita ja tutustumaan muihin jännittäviin Joie-tuotteisiin!

Tutustuaksesi takuutietoihin, siirry verkkosivustollemme joiebaby.com

Sisältö

Kuvat	1-12
VAROITUS	257
Lastenvaunujen kokoonpano	260
Lastenvaunujen avaaminen	260
Etupyörän kokoaminen ja irrottaminen	260
Takapyörän kokoaminen ja irrottaminen	260
Kokoa kuomu	260
Käsituen kokoaminen ja irrottaminen	260

Lastenvaunujen käyttö	261
Selkänojan säätäminen	261
Soljen käyttö	261
Hartia- ja vyötärövaljaiden käyttö	262
Pohjetuen säätäminen	262
Etupyörän kääntölukon käyttö	263
Jarrun käyttö	263
Kuomun käyttö	263
Kahvan säätäminen	263
Istuinkorkeuden säätäminen	263
Istuimen vaihtaminen	264
Säilytyskorin käyttö	264
Lastenvaunujen taittelu	264
Lisävarusteiden käyttö	265
Pehmyttarvikkeiden irrottaminen ja kokoaminen	266
Puhdistus ja kunnossapito	268

Hätätilanne

Hätätilanteessa tai onnettomuuden sattuessa kaikkein tärkeintä on ensiavun saaminen lapselle ja hakeutuminen välittömästi lääketieteelliseen hoitoon.

Tuotetiedot

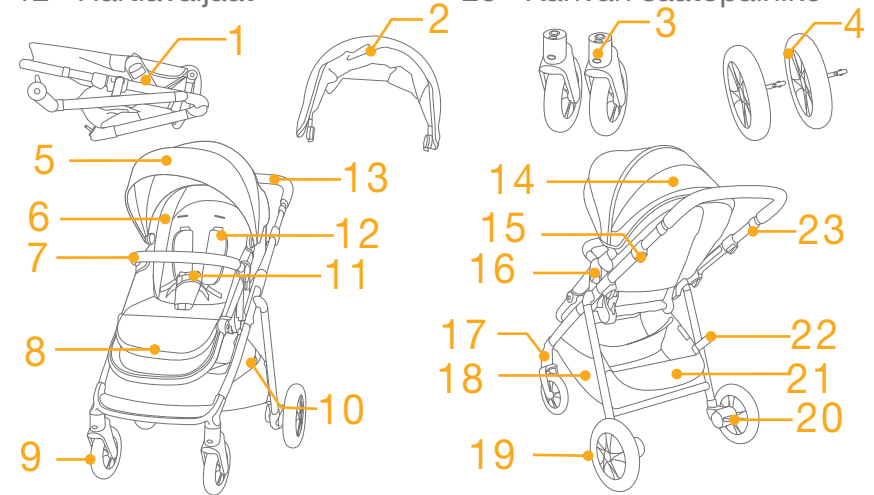
Lue kaikki tämän käyttöoppaan ohjeet ennen tämän tuotteen käyttöä. Jos sinulla on kysyttävää, ota yhteyttä jälleenmyyjään. Jotkut ominaisuudet voivat vaihdella mallin mukaan.

Tuote	Aeria-lastenvaunut
Soveltuu	lapsille 22 kg:n painoon tai 4-vuotiaaksi saakka, kumpi vain toteutuu ensin.
Materiaalit	Muovit, metalli, kankaat
Patenttinumero	Patentteja vireillä
Valmistusmaa	Kiina
Tuotemerkkinimi	Joie
Verkkosivusto	www.joiebaby.com
Valmistaja	Allison GmbH

Osaluettelo

Varmista ennen kokoamista, että kaikki osat ovat käytettävissä. Jos jokin osa puuttuu, ota yhteyttä paikalliseen jälleenmyyjään. Kokoamiseen ei tarvita työkaluja.

- | | | | |
|----|----------------------|----|--------------------------|
| 1 | Lastenvaunujen runko | 13 | Kahva |
| 2 | Kuomu | 14 | Kuomun ikkuna |
| 3 | Etupyörä | 15 | Taittopainike |
| 4 | Takapyörä | 16 | Istuimen vapautuspainike |
| 5 | Kuomu | 17 | Lisälukko |
| 6 | Istuintyyny | 18 | Säilytyspussi A |
| 7 | Käsituki | 19 | Takapyörä |
| 8 | Pohjetuki | 20 | Jarruvipu |
| 9 | Etupyörä | 21 | Säilytyspussi B |
| 10 | Säilytyskori | 22 | Säilytysalpa |
| 11 | Solki | 23 | Kahvan säätöpainike |
| 12 | Hartiavaljaat | | |

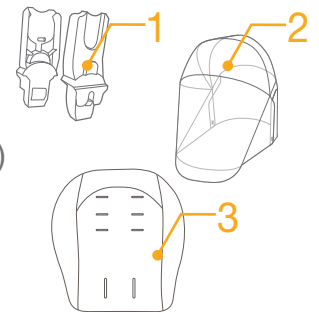


Lisävarusteet

(Ei ehkä kuulu toimitukseen)

- 1 Sovitin (määrätyissä malleissa)
- 2 Sateensuoja (määrätyissä malleissa)
- 3 Lisäosa (määrätyissä malleissa)

Lisävarusteita voidaan myydä erikseen tai niitä ei ole saatavilla alueen mukaan.



VAROITUS

- ! VAROITUS Käytä aina turvaistuinjärjestelmää. Turvavöitä ja turvaistuimia on käytettävä oikein.
- ! VAROITUS Varmista, että kaikki lukituslaitteet on lukittu ennen käyttöä.
- ! VAROITUS Älä anna lapsen leikkiä tällä tuotteella.
- ! VAROITUS Tarkista, että vaunukopan, istuinyksikön tai auton istuimen kiinnityslaitteet on oikein lukittu ennen käyttöä.
- ! Kokoamiseen tarvitaan aikuista.
- ! Tämä tuote soveltuu lapsille 22 kg:n painoon tai 4-vuotiaaksi saakka, kumpi vain toteutuu ensin.
- ! Estääksesi vaarallisen, epävakaa tilan, älä aseta yli 4,5kg:n painoa säilytyskoriin.
- ! Älä koskaan jätä lasta valvomatta. Pidä lapsi aina näkyvillä lastenvaunuissa.
- ! Käytä lastenvaunuja vain yhdellä lapsella kerrallaan. Älä koskaan laske käsilaukkua, ostoskassuja, paketteja tai varusteita kahvan tai kuomun päälle.
- ! Lisävarusteita, jotka eivät ole valmistajan hyväksymiä, ei tule käyttää. Ainoastaan valmistajan toimittamia tai suosittelemia vaihto-osia saa käyttää.
- ! Ylikuorma, väärä taittelu tai muiden valmistajien osien käyttö voi vahingoittaa lastenvaunuja ja aiheuttaa osien rikkoutumisen ja tehdä lastenvaunuista epäturvalliset. Lue käyttöopas huolellisesti.
- ! Lue kaikki tämän käyttöoppaan ohjeet ennen tuotteen käyttöä. Säilytä käyttöopas tulevaa käyttöä varten. Näiden varoitusten ja ohjeiden huomiotta jättäminen voi johtaa vakavaan vammaan tai kuolemaan.
- ! Välttääksesi ulos liukumisesta tai putoamisesta aiheutuvan vakavan vamman, käytä aina turvavyötä.
- ! Varmista, että lapsen keho on irti liikkuvista osista, kun säädät lastenvaunuja.
- ! Varmista, että lastenvaunut on kokonaan avattu tai taiteltu ennen kuin päästät lapsen lähelle niitä.

- ! Lapsi voi luistaa jalka-aukkoihin ja kuristua, jos valjaita ei käytetä.
- ! Älä käytä lastenvaunuja portaissa tai liukuportaissa.
- ! Pidä tuotetta loitolla kuumista kohteista, nesteistä ja elektroniikasta.
- ! Älä koskaan anna lapsen seistä lastenvaunuissa tai istua lastenvaunujen etuosaan suuntautuneena.
- ! Älä koskaan jätä lastenvaunuja teille, rinteisiin tai vaarallisiin paikkoihin.
- ! Kuristumisen välttämiseksi ÄLÄ aseta langallisia esineitä lapsen kaulan ympärille. Ripusta langat tästä tuotteesta tai kiinnitä langat leluihin.
- ! Mikä tahansa kahvaan ja/tai selkänöjan taakse ja/ tai lastenvaunujen sivuille kiinnitetty kuorma vaikuttaa lastenvaunujen vakauteen.
- ! ÄLÄ nosta lastenvaunuja lapsen ollessa sisällä.
- ! ÄLÄ käytä säilytyskoria lapsen kantokoppana.
- ! Estääksesi lastenvaunujen kaatumisen, älä koskaan anna lapsen kiivetä niihin. Nosta aina lapsi sisään lastenvaunuihin ja ulos niistä.
- ! Välttääksesi sormen juuttumisen, ole varovainen taitellessasi tai avatessasi lastenvaunuja.
- ! Varmista vamman välttämiseksi, että lapsi pysyy loitolla, kun tätä tuotetta avataan ja taitetaan.
- ! Varmistaaksesi lapsen turvallisuuden, varmista että kaikki osat on koottu ja kiinnitetty oikein ennen lastenvaunujen käyttöä.
- ! Välttääksesi kuristumisen, varmista, ettei lapsesi ole takertunut kuomuun.
- ! Lukitse jarrut aina pysäköidessäsi lastenvaunut.
- ! Älä käytä lastenvaunuja, jos ne ovat vahingoittuneet tai rikkoutuneet.
- ! Lastenvaunuja tulee käyttää ainoastaan kävelynopeudella. Tätä tuotetta ei ole tarkoitettu käytettäväksi hölkätessä.

- ! Tukeutumisen välttämiseksi poista muovipussi ja pakkausmateriaalit ennen tämän tuotteen käyttöä. Muovipussi ja pakkausmateriaalit tulee pitää vauvojen ja lasten ulottumattomissa.
- ! Tämä tuote ei ole sopiva käytettäväksi juostessa tai luistellessa.
- ! Vastasyntyneille käytettäväksi suunniteltuja lastenrattaita on suositeltavaa käyttää kallistuneimmassa asennossa vastasyntyneillä vauvoilla.
- ! Seisontajarru on lukittava, kun lasta asetetaan tai poistetaan.
- ! Lasten turvaistuimet tämän lastenvaunujen rungon kanssa käytettynä eivät korvaa lastensänkyä tai vuodetta. Jos lapsen on nukuttava, laske hänet sopivaan vaunukoppaan, lastensänkyyn tai vuoteeseen.
- ! Kantokoppaa ei saa enää käyttää, kun lapsi osaa istua itseksensä, pyöriä ympäri tai työntää itsensä ylös käsillään ja polvillaan. Lapsen enimmäispaino: 9 kg.
- ! ÄLÄ käytä tai lisää muuta patjaa kuin kantokopan toimitukseen kuuluvaa.
- ! Älä kiinnitä kohteita lastenrattaiden kahvaan, selkänojaan tai sivuille. Kaikki lisäkuorma vaikuttaa lastenrattaiden vakauteen ja voi aiheuttaa niiden kaatumisen.
- ! Ylimääräisiä patjoja ei saa lisätä, jollei valmistaja sitä suosittele.
- ! Älä taita lastenvaunujen runkoa, kun istuin on suunnattu taaksepäin.

Lastenvaunujen kokoonpano

(Katso kuvat sivulla 1-12)

Lue kaikki tämän käyttöoppaan ohjeet ennen tämän tuotteen kokoamista ja käyttöä.

Lastenvaunujen avaaminen

Katso kuvat ① - ③

Erota säilytysalpa säilytyskiinnikkeestä ① ja nosta kahva ylöspäin ②, napsahdus tarkoittaa, että lastenvaunut ovat kokonaan auki.

! Paina jalkatuki alas ja palauta se. ③ - 1

! Kiinnitä pohjetuen alla oleva nappi. ③ - 2

! Tarkista, että lastenvaunut on lukittu täysin ennen kuin jatkat käyttöä.

Etupyörän kokoaminen ja irrottaminen

Katso kuvat ④ - ⑤

Takapyörän kokoaminen ja irrottaminen

Katso kuvat ⑥ - ⑧

Kokoa kuomu

Katso kuvat ⑨ - ⑩

Käsituen kokoaminen ja irrottaminen

katso kuvat ⑪ - ⑫

Kokonaan kootut lastenvaunut näkyvät kuvassa . 13

Lastenvaunujen käyttö

Selkänojan säätäminen

Katso kuvat 14 - 15

Selkänojalla on 5 kallistuskulmaa.

Selkänojan kallistaminen

Kallistaaksesi selkänojaa, purista istuimen takana olevaa kallistuskahvaa, vedä selkänojaa alaspäin. 14

Selkänojan nostaminen

Nostaaksesi selkänojaa, työnnä sitä ylöspäin. 15

! Varmista, että kallistus on asetettu oikein käyttöä varten.

! Selkänojan takana olevan säilytystaskun maksimikuorma on 0,45 kg.

Soljen käyttö

katso kuvat 16 - 17

Soljen vapauttaminen

Paina painiketta, solki vapautuu automaattisesti. 16

Soljen lukitseminen

Kohdista vyötäröturvavyön solki hartiasoljen kanssa 17 - 1 ja kohdista ne keskisoljen kanssa, solki lukkiutuu automaattisesti. 17 - 2 Naksahdus tarkoittaa, että solki on täysin lukittu. 17 - 3

! Välttääksesi putoamisesta tai ulos liukumisesta aiheutuvan vakavan vamman, kiinnitä lapsi aina valjailla.

! Varmista, että lapsi on kiinnitetty tiukasti. Lapsen ja hartiavaljaiden hihnojen välisen tilan on oltava noin kämmenen paksuinen.

! Älä vie hartiavöitä ristiin. Tämä kohdistaa painetta lapsen niskaan.

Hartia- ja vyötärövaljaiden käyttö

Katso kuvat 18 - 21

! Lapsen suojaaminen ulos putoamiselta. Kun lapsi on asetettu istuimelle, tarkista ovatko hartia- ja vyötärövaljaat oikealla korkeudella ja oikean pituisia.

18 - 1 Hartiavaljaiden kiinnityspisteet

18 - 2 Liukusäädin

Suurempien lasten tulee käyttää hartiavaljaiden kiinnityspistettä ja korkeimpia hartiapaikkoja. Pienempien lasten tulee käyttää hartiavaljaiden kiinnityspistettä ja matalimpia hartiapaikkoja.

! Hartiavyön kiinnityspisteen sijaintia voi säätää kiinnittimien tai alataskun peittämästä yläaukosta. 19 - 1

Hartiavaljaiden kiinnityspisteen säätämiseksi, kierrä kiinnityspiste samalle tasolle eteenpäin suunnatun sivun kanssa. Pujota se hartiavaljaiden aukon läpi takaa eteen. 19 Pujota se uudelleen lähimpänä lapsen hartioiden korkeutta olevan aukon läpi. 20

Voit muuttaa valjaiden pituutta liukusäätimellä. 21 - 1

Paina painiketta 21 - 2 samalla kun vedät vyötärövaljaita oikeaan pituuteen. 21 - 3

Pohjetuen säätäminen

Katso kuvat 22 - 23

Pohjetuella on 2 asentoa.

Nostaaksesi pohjetukea, työnnä sitä ylöspäin. 22 Naksahdus tarkoittaa, että pohjetuki on täysin lukittu.

Laskeaksesi pohjetukea, paina säätöpainikkeita pohjetuen molemmilla puolilla 23 - 1 ja kierrä pohjetukea alaspäin. 23 - 2

Etupyörän kääntölukon käyttö

katso kuvat 24

Etupyörän lukittu tai avattu tila, kuten 24.

Vinkki Epätasaisilla pinnoilla on suositeltavaa käyttää kääntölukkoja.

Jarrun käyttö

Katso kuvat 25 - 26

Lukitaksesi pyörät, paina jalalla jarruvipua alaspäin. 25

Vapauttaaksesi pyörät, nosta jarruvipu ylöspäin. 26

Vinkki Käytä seisontajarrua aina, kun lastenvaunut eivät liiku.

Kuomun käyttö

Katso kuvat 27 - 28

Kuomu voi olla avattu tai taiteltu, vedä sitä eteenpäin tai taaksepäin.

Kuomun voi avata kokonaan lapsen suojaamiseksi liialliselta auringolta, avaa vain vetoketju 27 ja vedä sitten kuomua kohti etuosaa.

Kuomussa on ikkuna, josta voit katsoa vauvaa. 28

Kahvan säätäminen

katso kuvat 29

Kahvalla on 4 asentoa.

Istuinkorkeuden säätäminen

Katso kuvat 30 - 31

istuimelle on 4 asentoa.

Vedä istuinta ylöspäin lisätäksesi istuinkorkeutta. 30

Paina istuinkorkeuden säätöpainikkeita ja vedä ylöspäin, paina sitten alaspäin lyhentääksesi istuinkorkeutta. 31

Istuimen vaihtaminen

Katso kuvat 32 - 38

Istuinta voi vaihtaa niin, että äiti ja lapsi ovat kasvotusten.

Purista istuimen vapautuspainikkeita nostaen samalla istuinta. Kierrä istuinta vastakkaiseen suuntaan ja liitä sitten istuin istuinkiinnikkeisiin.

Molempien istuinkiinnikkeiden on oltava samalla tasolla, kuten kuvassa 33, jos tulee eteen tilanne, kuten kuvissa 34 ja 35, paina istuimen korkeudensäätöpainiketta ja vedä ylöspäin, paina sitten alaspäin lyhentääksesi istuimen korkeutta varmistaaksesi, että istuinkiinnikkeet ovat samalla tasolla. 36

Säilytyskorin käyttö

katso kuvat 39

Avaa korin napit lisätäksesi korin tilavuutta. 39 - 1

Kummankin korin molemmin puolin sijaitsevan säilytystaskun A maksimikuorma on 0,45 kg.

Estääksesi vaarallisen, epävakaa tilan, älä aseta yli 4,5 kg:n painoa säilytyskoriin ja säilytyspussi B:hen.

Lastenvaunujen taittelu

Katso kuvat 40 - 43

! Taittele Kuomu ennen lastenvaunujen taittamista.

Paina taittopainiketta ja vedä ylöspäin, 40 käännä sitten kahva alaspäin, 41 taittosalpa lukkiutuu automaattisesti. 42

- ! Jos istuin on matalammassa asennossa, voit liu'uttaa alas lastenvaunuja taitellessasi varmistaaksesi, että salpa lukkiutuu automaattisesti.
- ! Älä taita lastenvaunujen runkoa, kun istuin on suunnattu taaksepäin. 43
- ! Älä taita runkoa, kun etupyörän kääntölukko on lukittu.
- ! Lastenvaunut, joissa on kasvot menosuuntaan oleva istuin, pysyvät pystyssä, kun kahva on korkeimmassa asennossa.

Lisävarusteiden käyttö

Lisävarusteita voidaan myydä erikseen tai niitä ei ole saatavilla alueen mukaan.

Sateensuojan käyttö

Katso kuvat 44

- Sateensuojan kokoamiseksi, aseta se istuimen päälle.
- ! Kun käytät sateensuojaa, tarkista aina sen tuuletus.
- ! Kun sateensuojaa ei käytetä, tarkista aina, että se on puhdistettu ja kuivattu ennen taittelua.
- ! Älä taittele lastenvaunuja sateensuojan kokoamisen jälkeen.
- ! Älä aseta lasta lämpimällä säällä lastenvaunuihin, joihin on asennettu sateensuoja.

Käyttö lasten turvaistuinten kanssa

Katso kuvat 45 - 49

- Käytettäessä Joie-lasten i-Gemm 2 & i-Level & i-Snug -turvakaukaloa, katso seuraavat ohjeet.
- ! Naksahdus tarkoittaa, että sovitin on täysin lukittu.
- ! Vauvan/lapsen turvaistuimen kulmaa voi säätää säädettävillä sovittimillamme. 47

- ! Sovittimella on 3 asentoa. Älä käytä tuotetta, kun vauvan pää on alempana kuin jalat, kun vauvan/lapsen turvaistuin on kiinnitetty.
- ! Jos lasten turvaistuimen käytössä ilmenee ongelmia, katso ohjeet sen omasta käyttöoppaasta.
- ! Älä taita lastenvaunuja, kun lasten turvaistuin on vielä kiinnitetty.

Käyttö Joie-kantokopan kanssa

Katso kuvat 50 - 53

Käytettäessä Joie kantokoppa ramblen tai ramble xl:n kanssa, katso seuraavat ohjeet.

- ! Jos kantokopan käytössä ilmenee ongelmia, katso ohjeet sen omasta käyttöoppaasta.
- ! Älä käytä tuotetta, kun vauvan pää on alempana kuin jalat, kun kantokoppa on kiinnitetty.
- ! Käytä aina patjaa kantokoppaa käytettäessä.
- ! Älä taittele lastenvaunuja, kun kiinnität kantokopan.

Lisäosan käyttö

Katso kuvat 54 - 55

Pehmyttarvikkeiden irrottaminen ja kokoaminen

Katso kuvat 56 - 64

1. Irrota käsituki, kuten kuvassa 12
2. Avaa istuimen pohjassa oleva solki. 56

Kootaksesi istuimen pehmyttarvikkeet uudelleen, toimi edellä esitettyjen ohjeiden mukaisesti käännetyssä järjestyksessä

64 - 56

Puhdistus ja kunnossapito

katso kuvat 65

- ! Käytä lastenvaunujen kehikon puhdistamiseen ainoastaan astianpesuainetta ja lämmintä vettä. Ei valkaisu- tai pesuaineita. Katso pesumerkistä ohjeet, kuinka lastenvaunujen kangasosat puhdistetaan.
- ! Irrotettavat pehmyttarvikkeet ovat konepestäviä. Ei valkaisuainetta. Älä kuivaa pehmyttarvikkeita ja sisäpehmusteita kiertämällä niitä suurella voimalla. Istuimen päällykseen ja sisäpehmusteisiin voi jäädä rypyjä.
- ! Tarkista lastenvaunut ajoittain löysien ruuvien, kuluneiden osien, revenneen materiaalin tai ratkenneiden saumojen varalta. Vaihda tai korjaa osat tarpeen mukaan. Pyyhi muoviosat säännöllisesti pehmeällä, kostealla liinalla. Kuivaa aina metalliosat estääksesi ruosteen muodostumisen, jos lastenvaunut joutuvat kosketuksiin veden kanssa.
- ! Liiallinen altistuminen auringolle tai kuumuudelle voi johtaa joidenkin sidontaosien haalistumiseen.
- ! Jos lastenvaunut kastuvat, avaa kuomu ja anna vaunujen kuivua kokonaan ennen varastointia.
- ! Jos pyörät vinkuvat, käytä kevyttä öljyä (esim. silikonisuihke, ruosteenpoistoöljy tai ompelukoneöljy). On tärkeää saada öljy akseli- ja pyöräkokoospanon sisään. 65
- ! Kun käytät lastenvaunuja hiekkarannalla tai muussa hiekkaisessa/pölyisessä ympäristössä, puhdista lastenvaunut käytön jälkeen kauttaaltaan poistaaksesi hiekan ja suolan mekanismeista ja pyöräkoonpanoista.

EL Καλώς ήλθατε στη Joie™

Συγχαρητήρια, γίνετε μέλος της οικογένειας Joie! Είμαστε ιδιαίτερος ενθουσιασμένοι που θα βρισκόμαστε μαζί στο ταξίδι σας με το μικρό σας. Κατά τις μετακινήσεις σας με το Joie aερία, χρησιμοποιείτε ένα υψηλής ποιότητας, πλήρως πιστοποιημένο καρότσι που έχει εγκριθεί σύμφωνα με τα Ευρωπαϊκά πρότυπα ασφαλείας EN 1888-2:2018. Αυτό το προϊόν είναι κατάλληλο για παιδιά βάρους μέχρι και 22 κιλών ή ηλικίας έως 4 ετών, όποιο συμβεί πρώτο. Διαβάστε προσεκτικά αυτό το εγχειρίδιο και ακολουθήστε κάθε βήμα για να εξασφαλίσετε άνετη μετακίνηση και βέλτιστη προστασία για το παιδί σας.

ΣΗΜΑΝΤΙΚΟ - ΔΙΑΒΑΣΤΕ ΠΡΟΣΕΚΤΙΚΑ ΚΑΙ ΦΥΛΑΞΤΕ ΓΙΑ ΜΕΛΛΟΝΤΙΚΗ ΑΝΑΦΟΡΑ.

Επισκεφθείτε μας στο joiebaby.com για να κατεβάσετε εγχειρίδια και να δείτε κι άλλα συναρπαστικά προϊόντα Joie!

Για πληροφορίες σχετικά με την εγγύηση, επισκεφθείτε την ιστοσελίδα μας στο joiebaby.com

Περιεχόμενα

Εικόνες	1-12
ΠΡΟΕΙΔΟΠΟΙΗΣΗ	273
Συναρμολόγηση καροτσιού	276
Άνοιγμα καροτσιού	276
Συναρμολόγηση & αφαίρεση μπροστινού τροχού	276
Συναρμολόγηση & αφαίρεση πίσω τροχού	276
Συναρμολόγηση της κουκούλας	276
Συναρμολόγηση & αφαίρεση προστατευτικής μπάρας	276

Χρήση καροτσιού	277
Ρύθμιση πλάτης	277
Χρήση της πόρπης	277
Χρήση των ιμάντων ώμων και μέσης	278
Ρύθμιση στηρίγματος ποδιών	278
Χρήση ασφάλειας μπροστινών τροχών	279
Χρήση του φρένου	279
Χρήση της κουκούλας	279
Ρύθμιση λαβής	279
Ρύθμιση ύψους καθίσματος	279
Αλλαγή θέσης καθίσματος	280
Χρήση καλάθιού αποθήκευσης	280
Αναδίπλωση καροτσιού	280
Χρήση των εξαρτημάτων	281
Αφαίρεση και συναρμολόγηση μαλακών στοιχείων	282
Καθαρισμός και συντήρηση	284

Έκτακτη ανάγκη

Σε περίπτωση έκτακτης ανάγκης ή ατυχήματος, η παροχή των πρώτων βοηθειών στο παιδί σας και η άμεση αναζήτηση ιατρικής περίθαλψης αποτελούν επιτακτική ανάγκη.

Πληροφορίες για το προϊόν

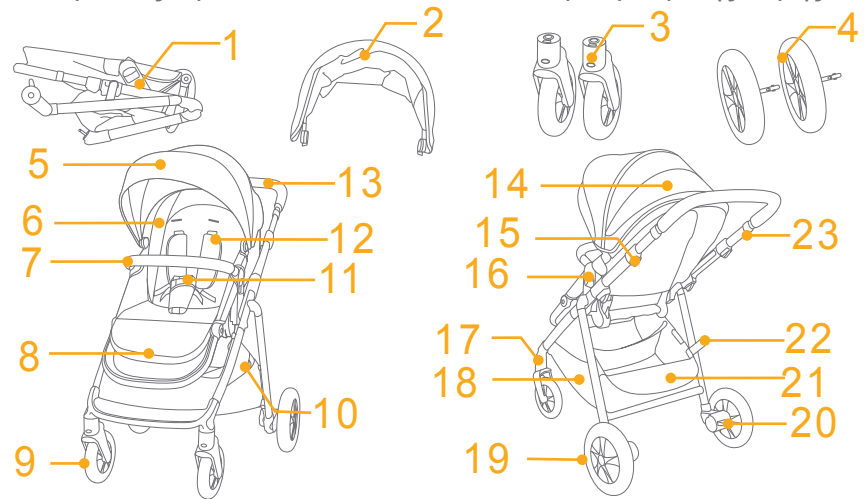
Διαβάστε όλες τις οδηγίες που περιέχονται σε αυτόν τον οδηγό πριν χρησιμοποιήσετε αυτό το προϊόν. Εάν έχετε περαιτέρω απορίες, συμβουλευτείτε τον έμπορο λιανικής πώλησης. Ορισμένα χαρακτηριστικά ενδέχεται να διαφέρουν ανάλογα με το μοντέλο.

Προϊόν	Καρότσι Aeria
Κατάλληλο για	παιδιά βάρους μέχρι και 22 κιλών ή ηλικίας έως 4 ετών, όποιο συμβεί πρώτο.
Υλικά	Πλαστικά, μέταλλο, υφάσματα
Αριθμός ευρεσιτεχνίας	Διπλώματα ευρεσιτεχνίας σε εκκρεμότητα
Χώρα κατασκευής	Κίνα
Μάρκα	Joie
Ιστοσελίδα	www.joiebaby.com
Κατασκευαστής	Allison GmbH

Κατάλογος εξαρτημάτων

Πριν από τη συναρμολόγηση βεβαιωθείτε ότι όλα τα εξαρτήματα είναι διαθέσιμα. Εάν λείπει οποιοδήποτε εξάρτημα, παρακαλούμε επικοινωνήστε με το κατάστημα λιανικής πώλησης. Δεν απαιτούνται εργαλεία για τη συναρμολόγηση.

- | | | | |
|----|---------------------|----|--------------------------------|
| 1 | Πλαίσιο καροτσιού | 13 | Λαβή |
| 2 | Κουκούλα | 14 | Παράθυρο κουκούλας |
| 3 | Μπροστινός τροχός | 15 | Κουμπί αναδίπλωσης |
| 4 | Πίσω τροχός | 16 | Κουμπί αποδέσμευσης καθίσματος |
| 5 | Κουκούλα | 17 | Κλειδωμα τροχών |
| 6 | Μαξιλάρι καθίσματος | 18 | Σάκος αποθήκευσης A |
| 7 | Προστατευτική μπάρα | 19 | Πίσω τροχός |
| 8 | Στήριγμα ποδιών | 20 | Μοχλός φρένου |
| 9 | Μπροστινός τροχός | 21 | Σάκος αποθήκευσης B |
| 10 | Καλάθι αποθήκευσης | 22 | Μάνταλο αποθήκευσης |
| 11 | Πόρπη | 23 | Κουμπί ρύθμισης λαβής |
| 12 | Ιμάντας ώμου | | |

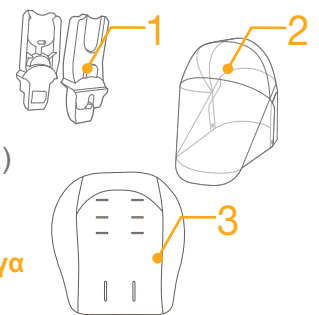


Εξαρτήματα

(Ενδέχεται να μην περιλαμβάνονται)

- 1 Προσαρμογέας (σε ορισμένα μοντέλα)
- 2 Κάλυμμα βροχής (σε ορισμένα μοντέλα)
- 3 Ένθετο (σε ορισμένα μοντέλα)

Τα εξαρτήματα ενδέχεται να πωλούνται ξεχωριστά ή να μην είναι διαθέσιμα ανάλογα με την περιοχή.



ΠΡΟΕΙΔΟΠΟΙΗΣΗ

- ! ΠΡΟΕΙΔΟΠΟΙΗΣΗ Χρησιμοποιείτε πάντα το σύστημα συγκράτησης. Οι ζώνες ασφαλείας και τα συστήματα συγκράτησης πρέπει να χρησιμοποιούνται σωστά.
- ! ΠΡΟΕΙΔΟΠΟΙΗΣΗ Βεβαιωθείτε ότι έχουν ενεργοποιηθεί όλες οι διατάξεις ασφαλείας πριν από τη χρήση.
- ! ΠΡΟΕΙΔΟΠΟΙΗΣΗ Μην αφήνετε το παιδί σας να παίζει με αυτό το προϊόν.
- ! ΠΡΟΣΟΧΗ Βεβαιωθείτε ότι το σώμα του καροτσιού, το κάθισμα και τα εξαρτήματα στερέωσης του καθίσματος είναι σωστά τοποθετημένα πριν τη χρήση.
- ! Απαιτείται συναρμολόγηση από ενήλικο.
- ! Αυτό το προϊόν είναι κατάλληλο για παιδιά βάρους μέχρι και 22 κιλών ή ηλικίας έως 4 ετών, όποιο συμβεί πρώτο.
- ! Για να αποφύγετε επικίνδυνες, ασταθείς καταστάσεις, μην τοποθετείτε αντικείμενα βάρους άνω των 4,5 κιλών στο καλάθι αποθήκευσης.
- ! Μην αφήνετε ποτέ το παιδί σας χωρίς επίβλεψη. Φροντίστε να βλέπετε συνεχώς το παιδί ενώ βρίσκεται στο καρότσι.
- ! Χρησιμοποιείτε το καρότσι μόνο με ένα παιδί τη φορά. Μην τοποθετείτε πορτοφόλια, τσάντες, δέματα ή εξαρτήματα επάνω στη λαβή ή την κουκούλα.
- ! Εξαρτήματα που δεν έχουν εγκριθεί από τον κατασκευαστή δεν πρέπει να χρησιμοποιούνται. Πρέπει να χρησιμοποιούνται μόνο ανταλλακτικά που παρέχονται ή συνιστώνται από τον κατασκευαστή.
- ! Η υπερφόρτωση, η λανθασμένη αναδίπλωση ή η χρήση εξαρτημάτων από άλλους κατασκευαστές μπορεί να προκαλέσει ζημιά, καταστροφή ή μείωση της ασφαλείας του καροτσιού. Διαβάστε τις οδηγίες χρήσης προσεκτικά.
- ! Διαβάστε όλες τις οδηγίες σε αυτό το εγχειρίδιο πριν τη χρήση του προϊόντος. Φυλάξτε αυτό το εγχειρίδιο οδηγιών για μελλοντική χρήση. Σε περίπτωση που δεν ακολουθήσετε αυτές τις προειδοποιήσεις και οδηγίες, αυτό μπορεί να έχει ως αποτέλεσμα σοβαρό τραυματισμό ή ακόμη και θάνατο.
- ! Για να αποφύγετε σοβαρούς τραυματισμούς από πτώση ή ολίσθηση, χρησιμοποιείτε πάντα ζώνη ασφαλείας.

- ! Βεβαιωθείτε ότι το σώμα του παιδιού σας είναι μακριά από τα κινούμενα μέρη κατά τη ρύθμιση του καροτσιού.
- ! Βεβαιωθείτε ότι το καρότσι είναι πλήρως ανοικτό ή κλειστό πριν αφήσετε το παιδί να πλησιάσει το καρότσι.
- ! Το παιδί μπορεί να γλιστρήσει στα ανοίγματα των ποδιών και να στραγγαλιστεί αν δεν χρησιμοποιούνται οι ιμάντες.
- ! Ποτέ μην χρησιμοποιείτε το καρότσι σε σκάλες ή κυλιόμενες σκάλες.
- ! Διατηρείτε μακριά από αντικείμενα υψηλής θερμοκρασίας, υγρά και ηλεκτρονικό εξοπλισμό.
- ! Μην αφήνετε ποτέ το παιδί σας να στέκεται όρθιο στο καρότσι ή να κάθεται στο καρότσι με το κεφάλι στο μπροστινό τμήμα του καροτσιού.
- ! Μην χρησιμοποιείτε το καρότσι σε δρόμους, πλαγιές ή επικίνδυνες περιοχές.
- ! Για να αποφύγετε πιθανότητα στραγγαλισμού, ΜΗΝ τοποθετείτε αντικείμενα με κορδόνια γύρω από το λαιμό του παιδιού σας, μην αναρτάτε κορδόνια πάνω από το προϊόν και μην ή δένετε παιχνίδια με κορδόνια.
- ! Κάθε φορτίο στη λαβή ή/και στο πίσω μέρος της πλάτης ή/ και στις πλευρές του καροτσιού επηρεάζει τη σταθερότητα του καροτσιού.
- ! ΜΗΝ σηκώνετε το καρότσι ενώ το παιδί είναι επάνω σε αυτό.
- ! ΜΗΝ χρησιμοποιείτε το καλάθι αποθήκευσης για να μεταφέρετε το παιδί.
- ! Για να αποτρέψετε κίνδυνο ανατροπής, μην αφήνετε ποτέ το παιδί να σκαρφαλώνει στο καρότσι. Βάζετε και βγάζετε το παιδί από το καρότσι εσείς.
- ! Για να αποφύγετε τραυματισμό των δακτύλων, πρέπει να προσέχετε όταν ανοίγετε και κλείνετε το καρότσι.
- ! Για να αποφύγετε τραυματισμούς βεβαιωθείτε ότι το παιδί παραμένει σε απόσταση όταν ανοίγετε και κλείνετε το καρότσι.
- ! Για να διασφαλίσετε την ασφάλεια του παιδιού σας, βεβαιωθείτε ότι όλα τα μέρη έχουν συναρμολογηθεί και στερεωθεί σωστά πριν χρησιμοποιήσετε το καρότσι.
- ! Για να αποφύγετε κίνδυνο στραγγαλισμού, βεβαιωθείτε ότι το παιδί σας είναι σε απόσταση από την κουκούλα.

- ! Ενεργοποιείτε πάντα τα φρένα κατά τη στάθμευση του καροτσιού.
- ! Διακόψτε τη χρήση του καροτσιού αν έχει υποστεί φθορά.
- ! Το καρότσι πρέπει να χρησιμοποιείται μόνο σε ταχύτητα περπατήματος. Αυτό το προϊόν δεν προορίζεται για χρήση κατά το τζόκινγκ.
- ! Για την αποφυγή ασφυξίας, αφαιρέστε την πλαστική σακούλα και τα υλικά συσκευασίας πριν από τη χρήση του προϊόντος. Η πλαστική σακούλα και τα υλικά συσκευασίας θα πρέπει στη συνέχεια να φυλάσσονται μακριά από μωρά και παιδιά.
- ! Αυτό το προϊόν δεν είναι κατάλληλο για τρέξιμο ή πατινάζ.
- ! Για τα καρότσια που προορίζονται για χρήση από τη γέννηση, συνιστάται η χρήση της πλέον οριζόντιας θέσης για τα νεογέννητα μωρά.
- ! Κατά την τοποθέτηση και την αφαίρεση του παιδιού πρέπει να ενεργοποιείται το φρένο.
- ! Τα πορτ-μπεμπέ που χρησιμοποιούνται σε συνδυασμό με ένα πλαίσιο, δεν αντικαθιστούν μια κούνια ή ένα κρεβάτι. Εάν το παιδί σας πρέπει να κοιμηθεί, τότε θα πρέπει να τοποθετηθεί σε κατάλληλο πορτ-μπεμπέ, κούνια ή κρεβάτι.
- ! Το πορτ-μπεμπέ δεν πρέπει να χρησιμοποιείται, μόλις το παιδί μπορεί να καθίσει μόνο του, να γυρίσει στο πλάι και να στηριχθεί στα χέρια και τα γόνατά του. Μέγιστο βάρος παιδιού: 9 κιλά.
- ! ΜΗΝ χρησιμοποιείτε ή προσθέτετε άλλο στρώμα εκτός από αυτό που παρέχεται με το πορτ-μπεμπέ.
- ! Μην τοποθετείτε αντικείμενα στη λαβή, στην πλάτη του καθίσματος ή στα πλαϊνά του καροτσιού. Οποιοδήποτε πρόσθετο βάρος θα επηρεάσει τη σταθερότητα και θα μπορούσε να προκαλέσει ανατροπή του καροτσιού.
- ! Δεν πρέπει να προστίθεται επιπλέον στρώμα, εκτός εάν το συνιστά ο κατασκευαστής.
- ! Μην κλείνετε το πλαίσιο όταν το κάθισμα είναι στραμμένο προς τα πίσω.

Συναρμολόγηση καροτσιού

(Ανατρέξτε στις εικόνες στις σελίδες 1-12)

Διαβάστε όλες τις οδηγίες σε αυτό το εγχειρίδιο πριν τη συναρμολόγηση και χρήση του προϊόντος.

Άνοιγμα καροτσιού

Δείτε τις εικόνες ① - ③

Ελευθερώστε το μάνταλο ασφάλισης από την υποδοχή ασφάλισης ① και, στη συνέχεια, σηκώστε τη λαβή προς τα πάνω. ② Ένας ήχος κλικ υποδεικνύει ότι το καρότσι έχει ανοίξει πλήρως.

! Πιέστε το στήριγμα ποδιών προς τα κάτω και ρυθμίστε το ξανά. ③ - 1

! Κουμπώστε το κουμπί κάτω από το στήριγμα ποδιών. ③ - 2

! Βεβαιωθείτε ότι το καρότσι είναι σωστά ανοιγμένο πριν το χρησιμοποιήσετε.

Συναρμολόγηση & αφαίρεση μπροστινού τροχού

Δείτε τις εικόνες ④ - ⑤

Συναρμολόγηση & αφαίρεση πίσω τροχού

Δείτε τις εικόνες ⑥ - ⑧

Συναρμολόγηση της κουκούλας

Δείτε τις εικόνες ⑨ - ⑩

Συναρμολόγηση & αφαίρεση προστατευτικής μπάρας

Δείτε τις εικόνες ⑪ - ⑫

Το πλήρως συναρμολογημένο καρότσι εμφανίζεται στην εικόνα ⑬

Χρήση καροτσιού

Ρύθμιση πλάτης

Δείτε τις εικόνες 14 - 15

Υπάρχουν 5 γωνίες κλίσης για την πλάτη.

Κατέβασμα πλάτης

Για να κατεβάσετε την πλάτη του καθίσματος, πιέστε τη λαβή ανάκλισης στο πίσω μέρος του καθίσματος, πιέζοντας την πλάτη προς τα κάτω. 14

Ανέβασμα πλάτης

Για να ανεβάσετε την πλάτη, πιέστε προς τα επάνω. 15

! Βεβαιωθείτε ότι η κλίση έχει ρυθμιστεί σωστά.

! Το μέγιστο φορτίο της τσέπης αποθήκευσης στο πίσω μέρος της πλάτης είναι 0,45 κιλά.

Χρήση της πόρπης

Δείτε τις εικόνες 16 - 17

Άνοιγμα πόρπης

Πατήστε το κουμπί, η πόρπη θα απελευθερωθεί αυτόματα. 16

Κλείδωμα πόρπης

Ταιριάζτε την πόρπη του ιμάντα μέσης με εκείνη του ιμάντα ώμων 17 - 1, και ευθυγραμμίστε τις με την κεντρική πόρπη, ώστε η πόρπη να μπορεί να ασφαλίσει αυτόματα. 17 - 2 Ένας ήχος “κλικ” σημαίνει ότι η πόρπη έχει ασφαλίσει σωστά. 17 - 3

! Για να αποφύγετε σοβαρούς τραυματισμούς από πτώση ή ολίσθηση, χρησιμοποιείτε πάντα τους ιμάντες.

! Βεβαιωθείτε ότι το παιδί σας είναι δεμένο σωστά.

Βεβαιωθείτε ότι ο χώρος μεταξύ του παιδιού και του ιμάντα ώμου είναι περίπου το πάχος ενός χεριού.

! Μην σταυρώνετε τους ιμάντες ώμου. Αυτό θα ασκήσει πίεση στον αυχένα του παιδιού.

Χρήση των ιμάντων ώμων και μέσης

Δείτε τις εικόνες 18 - 21

! Για να προστατέψετε το παιδί σας από πτώσεις, αφού το τοποθετήσετε στο κάθισμα, ελέγξτε εάν οι ιμάντες ώμων και μέσης έχουν ρυθμιστεί σωστά.

18 - 1 Άγκιστρο ιμάντα ώμου

18 - 2 Ρύθμιση μήκους

Για μεγαλύτερα παιδιά, χρησιμοποιήστε το άγκιστρο ιμάντα ώμου και τις επάνω υποδοχές ιμάντα. Για μικρότερα παιδιά, χρησιμοποιήστε το άγκιστρο ιμάντα ώμου και τις κάτω υποδοχές ιμάντα.

! Η θέση του άγκιστρου των ιμάντων ώμου μπορεί να ρυθμιστεί από το πάνω άνοιγμα ή κάτω από την τσέπη. 19 - 1

Για να ρυθμίσετε τη θέση του άγκιστρου των ιμάντων ώμων, στρέψτε το άγκιστρο ώστε να είναι επίπεδο με το πλαϊνό τμήμα στραμμένο προς τα εμπρός. Περάστε το από την υποδοχή από πίσω προς τα εμπρός. 19 Περάστε το ξανά από την υποδοχή που είναι πιο κοντά στο ύψος των ώμων του παιδιού. 20

Χρησιμοποιήστε το ρυθμιστικό για να προσαρμόσετε το μήκος του ιμάντα. 21 - 1

Πατήστε το κουμπί 21 - 2 και τραβήξτε τον ιμάντα μέσης για να ρυθμίσετε το σωστό μήκος. 21 - 3

Ρύθμιση στηρίγματος ποδιών

Δείτε τις εικόνες 22 - 23

Το στήριγμα ποδιών έχει 2 θέσεις.

Για να ανεβάσετε το στήριγμα ποδιών, ωθήστε το προς τα πάνω. 22 Ένας ήχος “κλικ” σημαίνει ότι το στήριγμα έχει ασφαλίσει σωστά.

Για να κατεβάσετε το στήριγμα ποδιών, πατήστε τα κουμπιά ρύθμισης και στις δύο πλευρές του στηρίγματος ποδιών 23 - 1 και περιστρέψτε το στήριγμα προς τα κάτω. 23 - 2

Χρήση ασφάλειας μπροστινών τροχών

Δείτε τις εικόνες 24

Μπροστινός τροχός κλειδωμένος ή ξεκλειδωτός 24.

Συμβουλή Συνιστάται η χρήση των ασφαλειών των μπροστινών τροχών σε ανώμαλες επιφάνειες.

Χρήση του φρένου

Δείτε τις εικόνες 25 - 26

Για να ασφαλίσετε τους τροχούς, πιέστε τον μοχλό φρένων προς τα κάτω. 25

Για να απελευθερώσετε τροχούς, απλά ανασηκώστε τον μοχλό φρένων. 26

Συμβουλή Ενεργοποιείτε πάντα το φρένο όταν το καρότσι δεν κινείται.

Χρήση της κουκούλας

Δείτε τις εικόνες 27 - 28

Η κουκούλα μπορεί να ανοίξει ή να κλείσει τραβώντας την προς τα εμπρός ή προς τα πίσω.

Η κουκούλα μπορεί να ανοίξει πλήρως για την προστασία του παιδιού σας από τον ήλιο. Απλά ανοίξτε φερμουάρ 27 και, στη συνέχεια, τραβήξτε την κουκούλα προς τα εμπρός.

Υπάρχει ένα παράθυρο στην κουκούλα, μέσω του οποίου μπορείτε να βλέπετε το μωρό σας. 28

Ρύθμιση λαβής

Δείτε τις εικόνες 29

Η λαβή έχει 4 θέσεις.

Ρύθμιση ύψους καθίσματος

Δείτε τις εικόνες 30 - 31

Το κάθισμα έχει 4 θέσεις.

Τραβήξτε το κάθισμα προς τα επάνω για να αυξήσετε το ύψος του καθίσματος. 30

Πατήστε τα κουμπιά ρύθμισης ύψους καθίσματος και τραβήξτε προς τα πάνω και, στη συνέχεια, πιέστε προς τα κάτω για να μειώσετε το ύψος του καθίσματος. 31

Αλλαγή θέσης καθίσματος

Δείτε τις εικόνες 32 - 38

Το κάθισμα μπορεί να αλλάξει θέση ώστε το παιδί να κοιτάζει προς τη μητέρα.

Πατήστε τα κουμπιά αποδέσμευσης καθίσματος και σηκώστε το κάθισμα προς τα πάνω. Γυρίστε το κάθισμα προς την αντίστροφη κατεύθυνση και μετά τοποθετήστε το κάθισμα στις βάσεις καθίσματος.

Και οι δύο βάσεις καθίσματος πρέπει να είναι επίπεδες όπως παρουσιάζεται στην εικόνα 33. Εάν είναι όπως παρουσιάζεται στις εικόνες 34 & 35, πατήστε το κουμπί ρύθμισης ύψους καθίσματος και τραβήξτε προς τα πάνω και, στη συνέχεια, πιέστε προς τα κάτω για να μειώσετε το ύψος του καθίσματος για να βεβαιωθείτε ότι και οι δύο βάσεις καθίσματος είναι επίπεδες. 36

Χρήση καλαθιού αποθήκευσης

Δείτε τις εικόνες 39

Ξεκουμπώστε τα κουμπιά στο καλάθι για να αυξήσετε τον χώρο του καλαθιού. 39 - 1

Το μέγιστο φορτίο κάθε σάκου αποθήκευσης A και στις δύο πλευρές του καλαθιού είναι 0,45 κιλά.

Για να αποφύγετε επικίνδυνες, ασταθείς καταστάσεις, μην τοποθετείτε αντικείμενα βάρους άνω των 4,5 κιλών στο καλάθι αποθήκευσης και τον σάκο αποθήκευσης B.

Αναδίπλωση καροτσιού

Δείτε τις εικόνες 40 - 43

! Κλείστε την κουκούλα πριν κλείσετε το καρότσι.

Πατήστε το κουμπί αναδίπλωσης και τραβήξτε προς τα πάνω 40 και, στη συνέχεια, περιστρέψτε τη λαβή προς τα κάτω, 41. Το μάνταλο αναδίπλωσης μπορεί να ασφαλίσει αυτόματα. 42

- ! Εάν το κάθισμα βρίσκεται στην χαμηλότερη θέση, μπορεί να γλιστρήσει προς τα κάτω κατά το κλείσιμο του καροτσιού. Βεβαιωθείτε ότι το μάνταλο αναδίπλωσης έχει ασφαλίσει αυτόματα.
- ! Μην κλείνετε το πλαίσιο όταν το κάθισμα είναι στραμμένο προς τα πίσω. 43
- ! Μην κλείνετε το πλαίσιο όταν είναι ενεργοποιημένη η ασφάλεια μπροστινών τροχών.
- ! Το καρότσι με το κάθισμα στραμμένο προς τα εμπρός μπορεί να σταθεί όταν η λαβή βρίσκεται στην υψηλότερη θέση.

Χρήση των εξαρτημάτων

Τα εξαρτήματα ενδέχεται να πωλούνται ξεχωριστά ή να μην είναι διαθέσιμα ανάλογα με την περιοχή.

Χρήση του καλύμματος βροχής Δείτε τις εικόνες 44

Για να συναρμολογήσετε το κάλυμμα βροχής, τοποθετήστε το πάνω από το κάθισμα.

- ! Όταν χρησιμοποιείτε το κάλυμμα βροχής, ελέγχετε πάντα τον αερισμό του καροτσιού.
- ! Όταν δεν χρησιμοποιείται, ελέγξτε ότι το κάλυμμα βροχής είναι καθαρό και στεγνό πριν το διπλώσετε.
- ! Μην κλείνετε το καρότσι όταν είναι τοποθετημένο το κάλυμμα βροχής.
- ! Μην τοποθετείτε το παιδί σας στο καρότσι με το κάλυμμα βροχής τοποθετημένο αν ο καιρός είναι ζεστός.

Χρήση με κάθισμα Δείτε τις εικόνες 45 - 49

Κατά τη χρήση με το παιδικό κάθισμα Joie i-Gemm 2 & i-Level & i-Snug, παρακαλούμε ανατρέξτε στις παρακάτω οδηγίες.

- ! Ένας ήχος “κλικ” σημαίνει ότι ο προσαρμογέας έχει ασφαλίσει σωστά.

- ! Η γωνία του πορτ μπεμπέ μπορεί να ρυθμιστεί με τους παρεχόμενους ρυθμιζόμενους προσαρμογείς. 47
- ! Ο προσαρμογέας έχει 3 θέσεις. Μην χρησιμοποιείτε το προϊόν όταν το κεφάλι του μωρού είναι σε χαμηλότερο επίπεδο από τα πόδια του μετά την τοποθέτηση του παιδικού καθίσματος ασφαλείας.
- ! Εάν αντιμετωπίζετε οποιαδήποτε προβλήματα σχετικά με τη χρήση του καθίσματος, ανατρέξτε στο σχετικό εγχειρίδιο οδηγιών.
- ! Μην κλείνετε το καρότσι όταν είναι τοποθετημένο το κάθισμα.

Χρήση με πορτ-μπεμπέ Joie Δείτε τις εικόνες 50 - 53

Κατά τη χρήση με το πορτ-μπεμπέ Joie rambler, rambler xl, παρακαλούμε ανατρέξτε στις ακόλουθες οδηγίες.

- ! Εάν αντιμετωπίζετε οποιαδήποτε προβλήματα σχετικά με τη χρήση του πορτ-μπεμπέ, ανατρέξτε στο σχετικό εγχειρίδιο οδηγιών.
- ! Μην χρησιμοποιείτε το προϊόν όταν το κεφάλι του μωρού είναι σε χαμηλότερο επίπεδο από τα πόδια του μετά την τοποθέτηση του πορτ-μπεμπέ.
- ! Χρησιμοποιείτε πάντα το στρώμα όταν χρησιμοποιείτε το πορτ-μπεμπέ.
- ! Μην διπλώνετε το καρότσι όταν έχετε τοποθετήσει το πορτ-μπεμπέ.

Χρήση ένθετου Δείτε τις εικόνες 54 - 55

Αφαίρεση και συναρμολόγηση μαλακών στοιχείων

Δείτε τις εικόνες 56 - 64

1. Αφαιρέστε την προστατευτική μπάρα όπως φαίνεται στην εικόνα 12
2. Ανοίξτε την πόρπη που βρίσκεται στο κάτω μέρος του καθίσματος. 56

Για να τοποθετήσετε ξανά τα μαλακά στοιχεία καθίσματος, ακολουθήστε τα βήματα με την αντίστροφη σειρά 64 - 56

Καθαρισμός και συντήρηση

Δείτε τις εικόνες 65

- ! Για να καθαρίσετε το πλαίσιο του καροτσιού, χρησιμοποιήστε οικιακό σαπούνι και ζεστό νερό. Μην χρησιμοποιείτε λευκαντικό ή απορρυπαντικό. Ανατρέξτε στην ετικέτα φροντίδας για οδηγίες σχετικά με τον καθαρισμό των υφασμάτων των τμημάτων του καροτσιού.
- ! Τα αφαιρούμενα μαλακά στοιχεία μπορούν να πλυθούν στο πλυντήριο. Μην χρησιμοποιείτε λευκαντικό. Μην στύβετε υπερβολικά το κάλυμμα του καθίσματος και την εσωτερική επένδυση για να στεγνώσουν. Αυτό ενδέχεται να δημιουργήσει ζάρες στο κάλυμμα του καθίσματος και την εσωτερική επένδυση.
- ! Ελέγχετε περιοδικά το καρότσι για χαλαρές βίδες, φθαρμένα εξαρτήματα, σχισμένο υλικό ή φθορές. Αντικαταστήστε ή επισκευάστε τα εξαρτήματα όπως απαιτείται. Περιστασιακά, σκουπίζετε τα πλαστικά μέρη με ένα μαλακό υγρό πανί. Στεγνώνετε πάντα τα μεταλλικά μέρη για να αποτρέψετε τη δημιουργία σκουριάς εάν το καρότσι έρθει σε επαφή με το νερό.
- ! Η υπερβολική έκθεση στον ήλιο ή τη θερμότητα μπορεί να προκαλέσει ξεθώριασμα ή παραμόρφωση των εξαρτημάτων.
- ! Εάν το καρότσι βραχεί, ανοίξτε την κουκούλα και αφήστε το να στεγνώσει καλά πριν το αποθηκεύσετε.
- ! Εάν οι τροχοί τρίζουν, χρησιμοποιήστε ένα ελαφρύ λάδι (π.χ. σπρέι πυριτίου, αντισκωριακό λάδι ή λάδι ραπτομηχανής). Είναι σημαντικό να εισέλθει το λάδι στο συγκρότημα άξονα και τροχού. 65
- ! Όταν χρησιμοποιείτε το καροτσάκι σας στην παραλία ή σε χώρους με άμμο/σκόνη, καθαρίστε πλήρως το καροτσάκι σας μετά τη χρήση για να αφαιρέσετε άμμο και αλάτι από τους μηχανισμούς και τα συγκροτήματα τροχών.

TR Joie™'ye Hoş Geldiniz

Joie ailesinin bir parçası olduğunuz için tebrikler! Çocuğunuz ile birlikte yapacağınız seyahatinizin bir parçası olmak bizi fazlasıyla heyecanlandırıyor. Joie aeria ile seyahat ederken, EN 1888-2:2018 Avrupa güvenlik standartlarıyla onaylanmış, yüksek kaliteli, tamamen sertifikalı bir bebek arabası kullanırsınız. Bu ürün, doğumdan 22kg'a veya 4 yaşına kadar olan çocuklar için uygundur (hangisi önce gelirse). Lütfen bu kılavuzu dikkatlice okuyun ve çocuğunuz için rahat bir sürüş ve en iyi korumayı sağladığınızdan emin olmak için her adımı izleyin.

ÖNEMLİ - DİKKATLE OKUYUN VE İLERİDE BAŞVURMAK ÜZERE SAKLAYIN.

Kılavuzları indirmek ve daha heyecan verici Joie ürünlerine bakmak için joiebaby.com adresini ziyaret edin!

Garanti bilgileri için lütfen joiebaby.com adresindeki web sitemizi ziyaret edin.

İçindekiler

Şekiller	1-12
UYARI	289
Bebek Arabası Montajı	292
Bebek Arabasını Açma	292
Ön Teker Monte Etme ve Çıkarma	292
Arka Teker Monte Etme ve Çıkarma	292
Tenteyi Monte Etme	292
Kolçağı Monte Etme ve Çıkarma	292

Bebek Arabasının Kullanımı	293
Arkalığı Ayarlama	293
Toka Kullanımı	293
Omuz ve Bel Kayışlarının Kullanımı	294
Baldır Desteği Ayarı	294
Ön Döndürme Kilidinin Kullanımı	295
Fren Kullanımı	295
Tente Kullanımı	295
Kulpu Ayarlama	295
Oturak Yüksekliğini Ayarlama	295
Oturak Değişimi	296
Saklama Sepetinin Kullanımı	296
Bebek Arabasını Katlama	296
Aksesuarların Kullanımı	297
Tekstil Malzemeleri Ayırma ve Birleştirme	298
Temizlik ve Bakım	300

Acil durum

Acil durum veya kaza hâlinde, ilk yardım ve tıbbi tedavi yoluyla çocuğunuzla hemen ilgilenilmesini sağlamak çok önemlidir.

Ürün Bilgisi

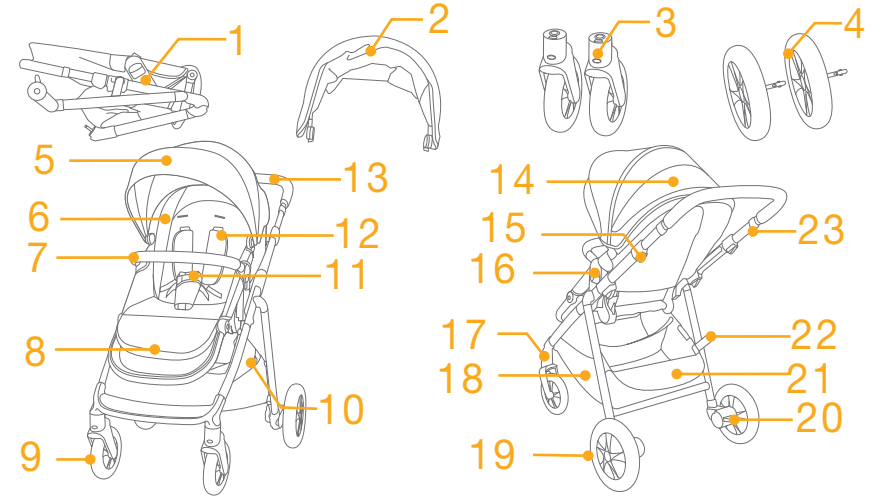
Bu ürünü kullanmadan önce bu kılavuzda verilen tüm talimatları okuyun. Sorularınız varsa lütfen satıcıyla iletişime geçin. Bazı özellikler modele bağlı olarak değişebilir.

Ürün	Aeria Bebek Arabası
Uygunluk	22kg'a veya 4 yaşına kadar olan çocuklar için uygundur (hangisi önce gelirse).
Malzemeler	Plastik, metal, kumaş
Patent No.	Patentlerin başvurusu yapılmıştır
Üretim yeri	Çin
Marka	Joie
Web sitesi	www.joiebaby.com
Üretici	Allison GmbH

Parça Listesi

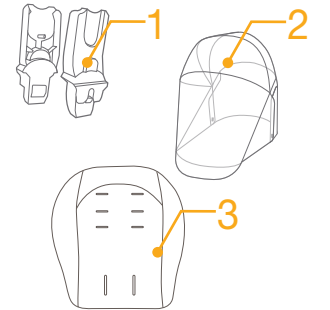
Montajdan önce tüm parçaların mevcut olduğundan emin olun. Herhangi bir parça eksikse, lütfen yerel bayi ile iletişime geçin. Montaj için bir alet gerekmez.

- | | | | |
|----|-------------------------|----|-----------------------|
| 1 | Bebek Arabası Çerçevesi | 13 | Tutma Kolu |
| 2 | Tente | 14 | Tente Penceresi |
| 3 | Ön Teker | 15 | Katlama Düğmesi |
| 4 | Arka Teker | 16 | Koltuk Açma Düğmesi |
| 5 | Tente | 17 | Döndürme Kilidi |
| 6 | Koltuk Minderi | 18 | Saklama Çantası A |
| 7 | Kolçak | 19 | Arka Teker |
| 8 | Baldır Desteği | 20 | Fren Kolu |
| 9 | Ön Teker | 21 | Saklama Çantası B |
| 10 | Depolama Sepeti | 22 | Depolama Mandalı |
| 11 | Toka | 23 | Kulp Ayarlama Düğmesi |
| 12 | Omuz Kayışı | | |



Aksesuarlar (Dâhil olmayabilir)

- 1 Adaptör (bazı modellerde)
- 2 Yağmurluk (bazı modellerde)
- 3 Eklenti (bazı modellerde)



Aksesuarlar, bölgeye bağlı olarak ayrı satılabilir veya mevcut olmayabilir.

UYARI

- ! UYARI Mutlaka emniyet sistemi kullanın. Güvenlik kemerleri ve sabitleme sistemleri doğru kullanılmalıdır.
- ! UYARI Kullanmadan önce tüm kilitleme donanımlarının etkinleştirildiğinden emin olun.
- ! UYARI Çocuğun bu ürünle oynamasına izin vermeyin.
- ! UYARI Kullanmadan önce bebek arabası gövdesi, koltuk birimi veya araç koltuğu bağlantı mekanizmalarının doğru biçimde takıldığını kontrol edin.
- ! Yetişkin montajı gereklidir.
- ! Bu ürün, doğumdan 22kg'a veya 4 yaşına kadar olan çocuklar için uygundur (hangisi önce gelirse).
- ! Tehlikeli ve dengesiz bir durumu önlemek için, saklama sepetine 4,5 kg'dan fazla ağırlık koymayın.
- ! Çocuğu asla gözetimsiz bırakmayın. Bebek arabasındayken, çocuğu hep göz önünde tutun.
- ! Bebek arabasını aynı anda yalnızca tek bir çocukla kullanın. Kulpa veya tenteye asla cüzdan, alışveriş torbası, koli ya da aksesuar koymayın.
- ! Üretici tarafından onaylanmamış aksesuarlar kullanılmamalıdır. Yalnızca üretici tarafından sağlanan veya önerilen yedek parçalar kullanılmalıdır.
- ! Aşırı yükleme, hatalı katlama veya başka üreticilerin bileşen parçalarını kullanma bebek arabasının hasar görmesine, kırılmasına ya da güvensiz bir duruma gelmesine neden olabilir. Lütfen talimat kılavuzunu dikkatlice okuyun.
- ! Lütfen ürünü kullanmadan önce kılavuzdaki tüm talimatları okuyun. İleride kullanmak için lütfen talimat kılavuzunu saklayın. Bu uyarılara ve talimatlara uyulmaması ciddi yaralanmalara veya ölüme neden olabilir.
- ! Düşme veya kayma nedeniyle oluşacak ciddi yaralanmaları önlemek için daima emniyet kemeri kullanın.
- ! Puseti ayarlarken çocuğunuzun vücudunun hareketli parçalardan uzak olduğundan emin olun.

- ! Çocuğunuzun yaklaşmasına izin vermeden önce bebek arabasının tamamen açıldığından veya katlandığından emin olun.
- ! Kayış kullanılmazsa, çocuk bacak açıklıklarına kayabilir ve boğulabilir.
- ! Bebek arabasını sabit ya da yürüyen merdivenlerde asla kullanmayın.
- ! Yüksek sıcaklıktaki nesnelere, sıvılardan ve elektronik cihazlardan uzak tutun.
- ! Çocuğunuzun bebek arabasında ayağa kalkmasına veya kafası arabanın önüne gelecek şekilde oturmasına asla izin vermeyin.
- ! Bebek arabasını yollara, eğimli yerlere veya tehlikeli alanlara asla bırakmayın.
- ! Boğulmayı önlemek için, çocuğunuzun boynunun etrafında ipli nesnelere BULUNDURMAYIN, üründen ipler ASMAYIN veya oyuncaklara ip BAĞLAMAYIN.
- ! Kulpa, arkalığın sırt kısmına ve/veya bebek arabasının yan taraflarına takılan yükler bebek arabasının dengesini etkileyecektir.
- ! Çocuk içindeyken bebek arabasını yukarı KALDIRMAYIN.
- ! Depolama sepetini çocuk taşıma aracı olarak KULLANMAYIN.
- ! Devrilmeyi önlemek için çocuğun bebek arabasına tırmanmasına asla izin vermeyin. Çocuğu bebek arabasına oturturken ve arabadan çıkarırken mutlaka havaya kaldırın.
- ! Parmak sıkışmasını önlemek için, bebek arabasını katlarken ve açarken dikkatli olun.
- ! Yaralanmayı önlemek için, bu ürünü açarken ve katlarken çocuğun uzakta olduğundan emin olun.
- ! Çocuğunuzun güvenliğini sağlamak için, bebek arabasını kullanmadan önce lütfen tüm parçaların doğru bir şekilde monte edildiğinden ve sabitlendiğinden emin olun.
- ! Boğulmayı önlemek için, çocuğunuzun gölgelikten uzak olduğundan emin olun.

- ! Bebek arabasını park ederken daima frenleri devreye alın.
- ! Hasar görürse veya kırılırsa bebek arabasını kullanmayı bırakın.
- ! Bebek arabası yalnızca yürüme hızında kullanılmalıdır. Bu ürün koşu sırasında kullanıma uygun değildir.
- ! Boğulmayı önlemek için, bu ürünü kullanmadan önce plastik torbayı ve ambalaj malzemelerini çıkarın. Daha sonra plastik torba ve ambalaj malzemeleri bebeklerden ve çocuklardan uzak tutulmalıdır.
- ! Bu ürün koşma veya paten yapma için uygun değildir.
- ! Doğumdan itibaren kullanılmak üzere tasarlanmış bebek arabasında, yeni doğan bebekler için en yatık pozisyonun kullanılması önerilir.
- ! Çocuğunuzu yerleştirirken ve kaldırırken park etme donanımı etkinleştirilmelidir.
- ! Bu bebek arabası, bir kızak düzeneğiyle birlikte kullanılan çocuk koltukları için bir karyola veya yatak yerine geçmez. Çocuğunuzun uyuması gerektiğinde, uygun bir çocuk arabası gövdesine, karyolaya veya yatağa yerleştirilmelidir.
- ! Çocuk tek başına oturabilir, yuvarlanabilir ve elleri ve dizleri üzerinde kendini yukarı itebilir hale geldiği anda taşıma karyolası kullanılmamalıdır. En fazla ağırlık: 9 kg.
- ! Portatif karyolayla sağlanan dışındaki şilteleri kullanmayın veya yerleştirmeyin.
- ! Kulba, oturak arkalığına veya arabanın yanlarına eşyalarınızı takmayın. Ek yükler, arabanın dengesini etkileyecek ve devrilmesine neden olabilecektir.
- ! Üretici tarafından önerilmedikçe ilave şilte eklenmemelidir.
- ! Lütfen koltuk arkaya bakarken çerçeveyi katlamayın.

Bebek Arabası Montajı

(Lütfen 1 ila 12. sayfalardaki şekillere başvurun)

Lütfen bu ürünü monte etmeden ya da kullanmadan önce bu kılavuzdaki tüm talimatları okuyun.

Bebek Arabasını Açma

bkz. şekil ① - ③

Depolama mandalını depolama bağlantısından ayırın ① ve kulpu yukarı doğru kaldırın ②; tıklama sesi bebek arabasının tamamen açıldığını gösterir.

! Ayaklığa basın ve sıfırlayın. ③ - 1

! Lütfen baldır desteğinin altındaki düğmeyi takın. ③ - 2

! Kullanmaya devam etmeden önce, bebek arabasının mandalla tamamen kilitlendiğini kontrol edin.

Ön Teker Monte Etme ve Çıkarma

bkz. şekil ④ - ⑤

Arka Teker Monte Etme ve Çıkarma

bkz. şekil ⑥ - ⑧

Tenteyi Monte Etme

bkz. şekil ⑨ - ⑩

Kolçağı Monte Etme ve Çıkarma

bkz. şekil ⑪ - ⑫

Tamamen monte edilen bebek arabası şu numaralı şekilde gösterilmektedir: ⑬

Bebek Arabasının Kullanımı

Arkalığı Ayarlama

bkz. şekil 14 - 15

Arkalık için 5 tane yatırma açısı vardır.

Arkalığı Yatırma

Arkalığı yatırmak için, koltuğun arkasındaki yatırma kulpunu sıkıp arkalığı aşağı çekin. 14

Arkalığı Yükseltme

Arkalığı yükseltmek için yukarı itin. 15

! Yatırma açısının kullanıma uygun ayarlandığından emin olun.

! Arkalığın arkasındaki maksimum eşya saklama cebi 0,45 kg'dır.

Toka Kullanımı

bkz. şekil 16 - 17

Tokayı Serbest Bırakın

Düğmeye basın, toka otomatik olarak açılacaktır. 16

Tokayı Kilitleyin

Bel kemeri tokasını omuz tokasıyla eşleştirin 17 - 1 ve bunları orta toka ile hizalayın; toka otomatik olarak kilitlenebilir. 17 - 2 "Tıklama" sesi, tokanın tamamen kilitlendiği anlamına gelir.

17 - 3

! Düşme veya kayma sonucu oluşacak ciddi yaralanmaları önlemek için, çocuğunuzu her zaman kayışla sabitleyin.

! Çocuğunuzun güvenli biçimde sabitlendiğinden emin olun. Çocuk ve omuz kayışı arasındaki mesafe yaklaşık bir el kalınlığında olmalıdır.

! Omuz kemerlerini çaprazlamayın. Bu, çocuğun boynuna basınç uygular.

Omuz ve Bel Kayışlarının Kullanımı

bkz. şekil 18 - 21

! Çocuğunuzun düşmesini önlemek için, çocuğunuz oturağa yerleştirildikten sonra omuz ve bel kayışlarının doğru yükseklikte ve uzunlukta olup olmadığını kontrol edin.

18 - 1 Omuz kayışı tutturma noktası

18 - 2 Kayar ayarlayıcı

Daha büyük çocuk için, omuz kayışı tutturma noktası ve en yüksek omuz yuvalarını kullanın. Daha küçük çocuk için, omuz kayışı tutturma noktası ve en düşük omuz yuvalarını kullanın.

! Omuz kemeri bağlantısının konumu, tutturucuların kapattığı açıklıktan veya cep altından ayarlanabilir. 19 - 1

Omuz kayışı tutturma noktasının konumunu ayarlamak için, tutturma noktasını öne bakan tarafla aynı düzeyde olacak şekilde döndürün. Omuz kayışı yuvası boyunca arkadan öne doğru geçirin. 19 Çocuğunuzun omuz yüksekliğine en yakın olan delikten tekrar geçirin. 20

Kayış uzunluğunu değiştirmek için kayar ayarlayıcıyı kullanın.

21 - 1

21 - 2 Düğmeye basarken, bel kayışını uygun uzunluğa çekin.

21 - 3

Baldır Desteği Ayarı

bkz. şekil 22 - 23

Baldır desteği 2 konuma sahiptir.

Baldır desteğini yükseltmek için yukarı doğru itin. 22 "Tıklama" sesi, baldır desteğinin tamamen kilitlendiği anlamına gelir.

Baldır desteğini alçaltmak için, baldır desteğinin her iki tarafındaki ayar düğmelerine basın 23 - 1 ve baldır desteğini aşağı doğru döndürün. 23 - 2

Ön Döndürme Kilidinin Kullanımı

bkz. şekil 24

Ön tekerlek kilitli veya kilitsiz durum: 24.

İpucu Döndürme kilitlerinin düz olmayan yüzeylerde kullanılması önerilir.

Fren Kullanımı

bkz. şekil 25 - 26

Tekerleri kilitlemek için fren koluna ayağınızla basın. 25

Tekerleri serbest bırakmak için fren kolunu yukarı doğru kaldırmanız yeterlidir. 26

İpucu Bebek arabası kullanılmıyorken her zaman park frenine alın.

Tente Kullanımı

bkz. şekil 27 - 28

Tente açılabilir veya katlanabilir; öne ya da arkaya doğru çekin.

Tente, çocuğunuzu güneşten en iyi şekilde korumak için tamamen açılabilir; fermuarı açıp, 27 tenteyi öne doğru çekmeniz yeterlidir.

Tentede, bebeğinizi görebilmenizi sağlayan bir pencere vardır. 28

Kulpu Ayarlama

bkz. şekil 29

Kolda 4 konum vardır.

Oturak Yüksekliğini Ayarlama

bkz. şekil 30 - 31

Koltukta 4 konum vardır.

Koltuk yüksekliğini artırmak için koltuğu yukarı çekin. 30

Koltuk yüksekliği ayarlama düğmelerine basın ve yukarı çekin, ardından koltuk yüksekliğini azaltmak için aşağı doğru bastırın. 31

Oturak Değişimi

bkz. şekil 32 - 38

Koltuk, anne ve çocuğun birbiriyle yüz yüze gelmesini sağlayacak şekilde değiştirilebilir.

Koltuk serbest bırakma düğmelerini sıkarken koltuğu kaldırın. Koltuğu ters yöne çevirin ve ardından koltuk bağlantılarına yerleştirin.

Her iki koltuk bağlantısının da 33 ile gösterildiği gibi terazide olması gerekir; 34 & 35 ile gösterilen durum olursa, lütfen koltuk yüksekliği ayarlama düğmesine basın ve yukarı çekin; ardından her iki koltuk bağlantısının da düz olmasını sağlamak için koltuk yüksekliğini azaltmak üzere aşağı doğru itin. 36

Saklama Sepetinin Kullanımı

bkz. şekil 39

Sepet alanını artırmak için sepetteki düğmeleri çıkarın. 39 - 1

Sepetin her iki tarafındaki her bir saklama çantasının A maksimum yükü 0,45 kg'dır.

Tehlikeli, dengesiz bir durumu önlemek için saklama sepetine ve saklama çantası B'ye 4,5 kg'dan fazla ağırlık yerleştirmeyin.

Bebek Arabasını Katlama

bkz. şekil 40 - 43

! Lütfen bebek arabasından önce tenteyi katlayın.

Katlama düğmesine basıp 40 ögesini yukarı çekin, ardından kolu aşağı çevirin; 41 katlama mandalı otomatik olarak kilitlenebilir. 42

- ! Koltuk altçaltılmış konumdaysa, katlama mandalının otomatik olarak kilitlenmesi için bebek arabasını katlarken aşağı kayabilir.
- ! Lütfen koltuk arkaya bakarken çerçeveyi katlamayın. 43
- ! Ön tekerlek dönme kilidi kilitliyken lütfen çerçeveyi katlamayın.
- ! Koltukta öne bakan bebek arabası, kol en yüksek konumdayken ayakta durabilir.

Aksesuarların Kullanımı

Aksesuarlar, bölgeye bağlı olarak ayrı satılabilir veya mevcut olmayabilir.

Yağmurluk Kullanımı

bkz. şekil 44

Yağmurluğu kurmak için, koltuğun üzerine yerleştirin.

- ! Yağmurluğu kullanırken lütfen her zaman havalandırmasını kontrol edin.
- ! Kullanılmıyorken, lütfen katlamadan önce yağmurluğun temizlenmiş ve kurumuş olduğunu kontrol edin.
- ! Yağmurluğu taktıktan sonra bebek arabasını katlamayın.
- ! Sıcak havalarda, çocuğunuzu bebek arabasına yağmurluk takılı olarak oturtmayın.

Çocuk Koltuğuyla Kullanım

bkz. şekil 45 - 49

i-Gemm 2 & i-Level & i-Snug'ı Joie gemm çocuk koltuğuyla birlikte kullanırken lütfen aşağıdaki talimatlara başvurun.

- ! “Tıklama” sesi adaptörün tamamen kilitlendiği anlamına gelir.

- ! Bebek taşıyıcı açısı ayarlanabilir adaptörlerimizle ayarlanabilir. 47

- ! Adaptörde 3 konum vardır. Lütfen ürünü, bebek çocuk koltuğuna takıldıktan sonra bebeğin başı ayaklardan aşağıda ise kullanmayın.

- ! Çocuk koltuğunu kullanma konusunda herhangi bir sorun yaşarsanız, lütfen ilgili talimat kılavuzlarına başvurun.

- ! Bebek arabasını, çocuk koltuğu takılı durumdayken katlamayın.

Joie Taşıma Karyolası İle kullanım

bkz. şekil 50 - 53

Joie taşıma karyolası ramble ve ramble xi ürünlerini kullanırken lütfen aşağıdaki talimatlara başvurun.

- ! Karyolayı kullanma konusunda herhangi bir sorun yaşarsanız, lütfen ilgili talimat kılavuzlarına başvurun.
- ! Lütfen ürünü, taşıma karyolasına takıldıktan sonra bebeğin başı ayaklardan aşağıda ise kullanmayın.
- ! Karyolayı kullanırken her zaman şilteyi de kullanın.
- ! Portatif karyolayı takarken lütfen bebek arabasını katlamayın.

Eklenti Kullanımı

bkz. şekil 54 - 55

Tekstil Malzemeleri Ayırma ve Birleştirme

bkz. şekil 56 - 64

1. Kolçağı gösterildiği gibi çıkarın 12
2. Koltuğun altındaki tokayı açın. 56

Koltuğun tekstil malzemelerini geri takmak için yukarıdaki adımları ters yönde izleyin 64 - 56

Temizlik ve Bakım

bkz. şekil 65

- ! Bebek arabası çerçevesini temizlemek için yalnızca ev sabunu ve ılık su kullanın. Çamaşır suyu ya da deterjan kullanmayın. Bebek arabasının kumaş parçalarının temizliği konusunda yönergeler için lütfen bakım etiketine başvurun.
- ! Çıkarılabilir tekstil malzemeleri çamaşır makinesinde yıkanabilir. Çamaşır suyu kullanmayın. Koltuk kaplamasını ve iç pedi kurutmak amacıyla güç uygulayarak sıkmayın. Bu, koltuk kaplamasında ve iç altlıkta kırışıklıklara neden olabilir.
- ! Bebek arabanızı gevşeyen vidalar, eskimiş parçalar, yırtık malzeme ya da sökülmüş dikiş olup olmadığını tespit etmek için ara sıra kontrol edin. Parçaları gerektiğinde değiştirin veya onarın. Plastik parçaları düzenli olarak yumuşak, nemli bir bezle silerek temizleyin. Bebek arabası suyla temas ederse, pas oluşumunu önlemek için metal parçaları mutlaka kurulayın.
- ! Güneşe ya da ısıya uzun süre maruz kalması halinde parçaların rengi solabilir ya da biçimsel bozulmalar görülebilir.
- ! Bebek arabası ıslanırsa, tenteyi açın ve saklamadan önce iyice kurumasını bekleyin.
- ! Tekerler gıcırdarsa, hafif bir yağ (örneğin Silikon Sprey, paslanma önleyici yağ ya da dikiş makinesi yağı) kullanın. Yağı, aks ve teker donanımına uygulamak önemlidir. 65
- ! Bebek arabanızı plajda veya başka kumlu/tozlu ortamlarda kullanırken, mekanizmalar ve teker donanımlarındaki kumu ve tuzu gidermek için, bebek arabanızı kullanım sonrasında tamamen temizleyin.

Palju õnne! Olete hankinud suurepärase Joie toote. Meil on hea meel, et saame olla koos teiega pisikese kodaniku eluteel. Reisides Joie Aeriaga kasutate väga kvaliteetset, kõiki ametlikke nõudeid täitvat jalutuskäru, mis vastab Euroopa ohutusstandardile EN 1888-2:2018. Toode sobib kehakaaluga kuni 22 kg või kuni 4-aastastele lapsele (arvestada varem täituvat tingimust). Lugege seadme juhend hoolikalt läbi ja järgige seda igal sammul, et liikuda lapsega mugavalt ja turvaliselt.

TÄHTIS: LUGEGE TÄHELEPANELIKULT JA HOIDKE ALLES.

Võite kasutusjuhendeid alla laadida aadressilt joiebaby.com, millel tutvustatakse ka teisi põnevamaid Joie tooteid!

Garantiiteabe leiata meie veebisaidilt aadressil joiebaby.com

Sisukord

Joonised	1-12
HOIATUS	305
Jalutuskäru kokkupanek	308
Jalutuskäru avamine	308
Esiratta paigaldamine ja eemaldamine	308
Tagaratta paigaldamine ja eemaldamine	308
Katuse paigaldamine	308
Tugikaare paigaldamine ja eemaldamine	308

Jalutuskäru kasutamine	309
Seljatoe reguleerimine	309
Pandla kasutamine	309
Õla- ja vöörhmade kasutamine	310
Sääretoe kasutamine	310
Eesmise suunaluku kasutamine	311
Piduri kasutamine	311
Katuse kasutamine	311
Käepideme reguleerimine	311
Istme kõrguse reguleerimine	311
Istme ümberpööramine	312
Istmealune korvi kasutamine	312
Jalutuskäru kokkupanek	321
Tarvikute kasutamine	313
Pehme osade eemaldamine ja paigaldus	314
Puhastamine ja hooldus	316

Õnnetuse korral

Kui juhtub õnnetus, laske oma lapsele kindlasti anda kohe esmaabi ja vajadusel meditsiinilist ravi.

Tooteteave

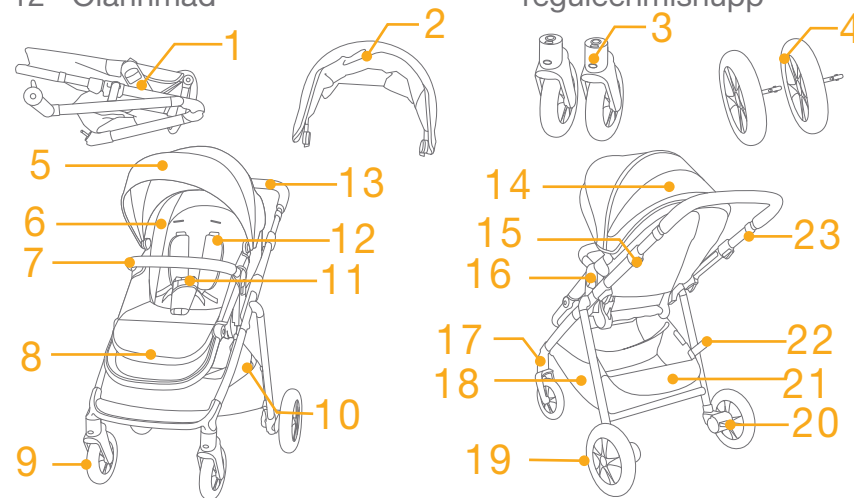
Lugege kõik kasutusjuhendis olevad juhised läbi, enne kui hakkate toodet kasutama. Kui teil on küsimusi, pidage nõu seadme müüjaga. Seadmel võib sõltuvalt mudelist olla lisafunktsioone.

Toode	Jalutuskäru Aeria
Sobib	kehakaaluga kuni 22 kg või kuni 4-aastastele lapsele (arvestada varem täituvat tingimust).
Materjalid	Plastid, metall, kangas
Patendi nr	Patenditaotlused esitatud
Tootmismaa	Hiina
Kaubamärk	Joie
Veebisait	www.joiebaby.com
Tootja	Allison GmbH

Osad

Enne kokkupanekut kontrollige, kas kõik vajalikud osad on olemas. Kui mõni osa puudub, pöörduge kohaliku müügiesindaja poole. Seadme kokkupanekuks pole tööriistu vaja.

- | | | | |
|----|------------------|----|----------------------------|
| 1 | Jalutuskäru raam | 13 | Käepide |
| 2 | Katus | 14 | Katuseaken |
| 3 | Esiratas | 15 | Kokkupanekunupp |
| 4 | Tagaratas | 16 | Istme vabastusnupp |
| 5 | Katus | 17 | Suunalukk |
| 6 | Istmepadi | 18 | Istmealune kott A |
| 7 | Tugikaar | 19 | Tagaratas |
| 8 | Sääretugi | 20 | Pidurihoob |
| 9 | Esiratas | 21 | Istmealune kott B |
| 10 | Istmealune korv | 22 | Hoideriiv |
| 11 | Pannal | 23 | Käepideme reguleerimisnupp |
| 12 | Õlarihmad | | |

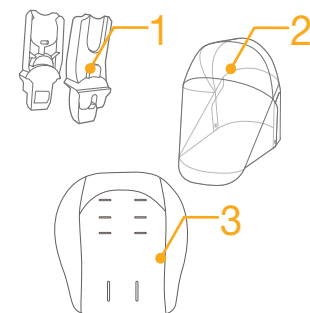


Tarvikud

(Ei ole alati komplektis)

- | | |
|---|---------------------------------|
| 1 | Adapter (teatud mudelitel) |
| 2 | Vihmakaitse (teatud mudelitel) |
| 3 | Sisemine osa (teatud mudelitel) |

Sõltuvalt piirkonnast võivad tarvikud olla saadaval eraldi või üldse mitte.



HOIATUS

- ! HOIATUS Kasutage alati turvasüsteemi. Turvavõid ja kinnitusi tuleb kasutada õigesti!
- ! HOIATUS Enne kasutamist veenduge, et kõik lukustid on suletud.
- ! HOIATUS Ärge lubage lapsel tootega mängida
- ! HOIATUS Enne kasutamist veenduge, et hälli korpus, istmeosa või auto turvaiste on korralikult kinnitatud.
- ! Kokku peab panema täiskasvanu.
- ! Toode sobib kehakaaluga kuni 22 kg või kuni 4-aastastele lapsele (arvestada varem täituvat tingimust).
- ! Ohtliku olukorra ja ebastabiilsuse vältimiseks ärge pange istmealusesse korvi üle 4,5 kg raskust koormat.
- ! Ärge jätke last järelevalveta! Jalutuskäru kasutamise ajal ärge jätke last järelevalveta.
- ! Kasutage jalutuskäru korraga ainult ühe lapsega. Ärge pange käekotti, poekotti, pakke vms esemeid käepideme külge ega katusele.
- ! Tarvikuid, mida tootja pole heaks kiitnud, ei tohi kasutada. Kasutada võib ainult tootja tarnitud või soovitatavaid osi.
- ! Ülekoormamine, ebaõige kokkupanemine või muu päritoluga osade kasutamine võib jalutuskäru kahjustada või lõhkuda ning olla ohtlik. Lugege tähelepanelikult kasutusjuhendit.
- ! Lugege kõik kasutusjuhendis olevad juhised läbi, enne kui hakkate toodet kasutama. Hoidke kasutusjuhend alles edaspidiseks kasutamiseks. Nende hoiatuste ja juhiste eiramine võib põhjustada tõsiseid vigastusi või surma.
- ! Kukkumisest või välja libisemisest tingitud tõsiste vigastuste vältimiseks kasutage alati turvarihmu.
- ! Jalutuskäru reguleerimisel jälgige, et lapse kehaosad oleksid liikuvatest osadest eemal.
- ! Enne lapse lubamist jalutuskäru juurde veenduge, et see on täiesti kasutusvalmis või kokku pandud.

- ! Laps libiseda jalgaavadesse ja saada kägistada, kui ei kasutata rakmeid.
- ! Ärge kasutage jalutuskäru trepil või eskalaatoril.
- ! Hoidke eemal kuumadest esemetest, vedelikest ja elektroonikast.
- ! Ärge kunagi lubage lapsel jalutuskärul seista ega istuda kärus näoga ettepoole.
- ! Ärge jätke jalutuskäru sõiduteele, kallakule vms ohtlikku kohta.
- ! Kägistamise vältimiseks ÄRGE pange lapsele kaela nõoriga esemeid, ärge riputage toote külge nõöre ega kinnitage sellele nõöril mänguvasju.
- ! Igasugune käepideme, seljatoe ja/või tagaosaga külge kinnitatud lisakoormus mõjutab jalutuskäru stabiilsust.
- ! ÄRGE tõstke jalutuskäru, kui laps on kärus.
- ! ÄRGE kasutage istmealust korvi lapse vedamiseks.
- ! Käru kaadumise vältimiseks ärge lubage lapsel kärusse ronida. Tõstke laps alati ise kärusse ja sellest välja.
- ! Sõrmevigastuste vältimiseks olge käru kokkupaneku ja lahtitegemisel ettevaatlik.
- ! Vigastuste vältimiseks hoidke laps kärust eemal, kui seda kokku panete või lahti võtate.
- ! Lapse ohutuse tagamiseks veenduge enne jalutuskäru kasutamist, et kõik osad on korralikult kokku pandud ja kinnitatud.
- ! Kägistamise vältimiseks jälgige, et laps püsiks katusest eemal.
- ! Kui jätate jalutuskäru seisma, rakendage alati pidurid.
- ! Kui jalutuskäru on kahjustatud või katki, ärge seda kasutage.
- ! Jalutuskäru võib kasutada ainult jalutuskiirusel. Toode ei ole mõeldud jooksmise ajal kasutamiseks.
- ! Lämpumise vältimiseks eemaldage enne toote kasutamist sellelt kilekott ja pakkematerjalid. Seejärel hoidke kilekotti ja pakkematerjale imikutest ja lastest eemal.

- ! See toode pole ette nähtud kasutamiseks jooksmise või uisutamise ajal.
- ! Vastsündinu korral soovitatakse lapsevankrit kasutada enamasti lapse lamavas asendis.
- ! Lapse kärusse panemisel ja sealt äratõstmisel tuleks rakendada pidur.
- ! Rakmete kasutamine imikul ei asenda turvahälli või voodit. Lapse magamise ajaks tuleb ta panna sobivasse lapsevankrisse, turvahälli või voodisse.
- ! Kandehälli ei tohi enam kasutada, kui laps oskab ise istuda, end ümber pöörata ning kápuli tõusta. Lapse maksimumkaal: 9 kg.
- ! **ÄRGE KASUTAGE** madratsit, mis pole tootja tarnitud või soovitatud.
- ! Ärge kinnitage esemeid jalutuskäru käepideme, seljatoele või külgosade külge. Igasugune lisakoormus mõjutab jalutuskäru stabiilsust ja võib põhjustada selle ümbermineku.
- ! Lisamadratsit võib kasutada vaid juhul, kui tootja seda soovitab.
- ! Ärge pange seadme raami kokku, kui iste on paigutatud selles näoga tahapoole.

Jalutuskäru kokkupanek

(Vt joonised 1-12)

Lugege kõik selles juhendis olevad juhised läbi, enne kui hakkate toodet kasutama.

Jalutuskäru avamine

Vt pilte ① - ③

Võtke hoideriiv kinnituse ① küljest lahti ja tõstke käepide üles ②; kui kostab klõpsatus, siis on jalutuskäru täiesti avatud asendis.

! Lükake jalatugi alla ja tõmmake tagasi. ③ - 1

! Paigaldage sääretoe alla nupp. ③ - 2

! Enne kasutamist veenduge, et jalutuskäru on riivistatud asendis.

Esiratta paigaldamine ja eemaldamine

Vt pilte ④ - ⑤

Tagaratta paigaldamine ja eemaldamine

Vt pilte ⑥ - ⑧

Katuse paigaldamine

Vt pilte ⑨ - ⑩

Tugikaare paigaldamine ja eemaldamine

Vt pilte ⑪ - ⑫

Täielikult kokkupandud jalutuskäru on kujutatud joonisel ⑬

Jalutuskäru kasutamine

Seljatoe reguleerimine

Vt pilte 14 - 15

Seljatoel on 5 asendit.

Seljatoe langetamine

Seljatoe langetamiseks vajutage kallutuskäepidet, mis asub istme taga, ja tõmmake seljatuge alla. 14

Seljatoe tõstmine

Seljatoe tõstmiseks lükake seda üles. 15

! Veenduge, et seljatugi on kasutamiseks sobivas asendis.

! Seljatoe taga olevasse taskusse võib panna kuni 0,45 kg koormuse.

Pandla kasutamine

Vt pilte 16 - 17

Pandla avamine

Vajutage nuppu – pannal avaneb automaatselt. 16

Pandla lukustamine

Pange vöörihma pannal kokku õlarihma pandlaga 17 - 1 ja seadke need kohakuti keskmise pandlaga; pannal võib sulguda automaatselt. 17 - 2 Klõpsatus annab märku, et pannal on korralikult suletud. 17 - 3

! Kukkumisest või välja libisemisest tingitud tõsiste vigastuste vältimiseks kinnitage alati rakmed.

! Veenduge, et rakmed on lapsel tihedalt peal. Lapse ja õlarihma vahele peab jääma kõige rohkem kaelaba võrra vaba ruumi.

! Ärge pange õlarihmasid risti. Vastasel korral suruvad need lapse kaelale.

Õla- ja vöörihmade kasutamine

Vt pilte 18 - 21

! Lapse kaitsmiseks väljakukkumise eest kontrollige pärast lapse istmele panemist, kas õla- ja vöörihmad on õigel kõrgusel ja sobiva pikkusega.

18 - 1 Õlarihma ankur

18 - 2 Reguleerimispannal

Suurema lapse korral kinnitage õlarihma ankur kõrgemal olevasse kinnituskohta. Kui laps on veel väike, kasutage alumisi kinnituskohti.

! Õlavöö ankru asukohta saab reguleerida kinnituse abil ülemise ava või alumise tasku kaudu. 19 - 1

Õlarihmade kinnituskoha muutmiseks pöörake ankur ava suunas. Lükake see tagant ettepoole läbi õlarihma ava. 19 Kinnitage see lapse õla kõrgusele vastavasse avasse. 20

Rihmade pikkuse muutmiseks kasutage reguleerimispannalt. 21 - 1

Vajutage nuppu 21 - 2 ja reguleerige vöörima pikkus sobivaks. 21 - 3

Sääretoa kasutamine

Vt pilte 22 - 23

Sääretoel on 2 asendit.

Sääretoa ülespoole seadmiseks lükake seda üles. 22 Klõpsatus annab märku, et tugi on korralikult fikseeritud.

Toe langetamiseks vajutage sääretoa kummalgi küljel olevaid reguleerimisnuppe 23 - 1 ja pöörake sääretuge alla. 23 - 2

Eesmise suunaluku kasutamine

Vt pilte 24

Esiratta lukustuse või vabastuse olek vastavalt joonisele 24.

Soovitus Suunalukke tuleks kasutada ebatasasel pinnal liikudes.

Piduri kasutamine

Vt pilte 25 - 26

Rataste lukustamiseks vajutage pidurihoob alla. 25

Piduri vabastamiseks tõmmake pidurihoob üles. 26

Soovitus Ärge rakendage pidurit, kui jalutuskäru liigub.

Katuse kasutamine

Vt pilte 27 - 28

Saate katuse avada ja kokku panna – tõmmake seda ette- või tahapoole.

Lapse päikese eest kaitsmiskes saate avada katuse – avage tõmblukk 27 ja tõmmake katust ettepoole.

Katuses on aken, mille kaudu saate last vaadata. 28

Käepideme reguleerimine

Vt pilte 29

Käepidemel on 4 asendit.

Istme kõrguse reguleerimine

Vt pilte 30 - 31

Istmel on 4 asendit.

Istme kõrgemale seadmiseks tõmmake seda üles. 30

Vajutage istme kõrguse reguleerimisnuppe ja tõmmake istet üles ning lükake alla, et istet allapoole seada. 31

Istme ümberpööramine

Vt pilte 32 - 38

Istme saab ümber pöörata, et laps vaataks teie poole.

Vajutage istme vabastusnuppe ja tõstke istet. Pöörake iste ringi ja paigaldage iste tagasi süvenditesse.

Süvendid peavad olema ühekõrgused, nagu näidatud joonisel 33; joonistel 34 ja 35 näidatud asendite korral vajutage istme kõrguse reguleerimisnuppe ja tõmmake istet üles ning lükake alla, et istet allapoole seada, nii et mõlemad süvendid jäävad samale kõrgusele. 36

Istmealuse korvi kasutamine

Vt pilte 39

Avage korvi nööbid, et korvi mahtu suurendada. 39 - 1

Kummassegi kotti A võib panna kuni 0,45 kg koormuse.

Ohtliku olukorra ja ebastabiilsuse vältimiseks ärge pange istmealusesse korvi ja kotti B üle 4,5 kg raskust koormat.

Jalutuskäru kokkupanek

Vt pilte 40 - 43

! Enne jalutuskäru kokkupanekut pange kokku selle katus.

Vajutage kokkupaneku nuppu ja tõmmake üles 40 seejärel pöörake käepide alla, 41 riiv peaks lukustuma automaatselt. 42

- ! Madalaimas asendis olev iste saab alla libiseda, kui jalutuskäru kokku pannakse, ning riiv lukustub automaatselt.
- ! Ärge pange seadme raami kokku, kui iste on paigutatud selles näoga tahapoole. 43
- ! Ärge pange raami kokku, kui esiratta pöörlemisriiv on lukustatud.
- ! Ettepoole suunatud asendiga istmega jalutuskäru seisab püsti, kui käepide on kõrgeimas asendis.

Tarvikute kasutamine

Sõltuvalt piirkonnast võivad tarvikud olla saadaval eraldi või üldse mitte.

Vihmakaitse kasutamine

Vt pilte 44

Vihmakaitse kasutamiseks pange see istme ümber.

- ! Kui kasutate vihmakaitset, kontrollige kindlasti õhuvahetust selle all.
- ! Kui te vihmakaitset enam ei kasuta, puhastage ja kuivatage seda enne kokkuvoltimist.
- ! Ärge pange jalutuskäru kokku, kui vihmakaitse on paigaldatud.
- ! Kuuma ilma korral ärge pange last jalutuskärusse, kui vihmakaitse on sellele paigaldatud.

Kasutamine koos turvahälliga

Vt pilte 45 - 49

Kasutamisel koos Joie turvahälliga i-Gemm 2 & i-Level & i-Snug järgige järgmisi juhiseid.

- ! Klõpsatus annab märku, et adapter on korralikult fikseeritud.

- ! Turvahälli kallet saab reguleerida vastavate adapterite abil. 47
- ! Adapteril on 3 asendit. Ärge toodet kasutage, kui lapse pea jääb turvaistmes tema jalgadest madalamale.
- ! Vajadusel juhinduge kasutatava turvahälli kasutusjuhendist.
- ! Ärge pange jalutuskäru kokku, kui turvahäll on selle külge kinnitatud.

Kasutamine koos Joie kandehälliga

Vt pilte 50 - 53

Kasutamisel koos Joie kandehälliga Ramble või Ramble XL juhinduge järgmistest juhistest.

- ! Vajadusel juhinduge kasutatava kandeistme kasutusjuhendist.
- ! Ärge toodet kasutage, kui lapse pea jääb kandehällis tema jalgadest madalamale.
- ! Koos kandehälliga kasutage alati madratsit.
- ! Ärge pange jalutuskäru kokku, kui sellele on paigaldatud kandehäll.

Sisemise osa kasutamine

Vt pilte 54 - 55

Pehmete osade eemaldamine ja paigaldus

Vt pilte 56 - 64

1. Eemaldage tugikaar; vt 12
2. Avage istme all olev pannal. 56

Istme pehmete osade paigaldamisel järgige ülaltoodud samme vastupidises järjekorras 64 - 56

Puhastamine ja hooldus

Vt pilte 65

- ! Puhastage jalutuskäru raami ainult seebi ja sooja veega. Ärge kasutage valgendit ega pesuainet. Jalutuskäru kanga puhastamisel järgige hooldussildi juhiseid.
- ! Enne seadme pesemist eemaldage pehmed osad. Ärge kasutage valgendit. Ärge pöörake istmekatet ja sisepolstrit kiiremaks kuivatamiseks ümber. Istmekate ja sisemine polster võib jääda kortsu.
- ! Kontrollige jalutuskäru aeg-ajalt lahti tulnud kruvide, kulunud osade, rebenenud materjali ja õmbluste suhtes. Vahetage osad vajadusel välja või parandage. Puhastage plastist osi aeg-ajalt pehme niiske lapiga. Kuivatage metalloosi alati rooste vältimiseks, kui jalutuskäru on saanud märjaks.
- ! Hoidmine päikese käes või kuumas kohas võib põhjustada osade pleekimist või deformeerumist.
- ! Kui jalutuskäru saab märjaks, avage katus ja laske käru enne hoiule panekut korralikult kuivada.
- ! Kui rattad kriuksuvad, kasutage vedelat õli (nt silikoonõli, roostetõrjeõli või õmblusmasinaõli). Õli peab jõudma telje ja ratta vahele. 65
- ! Kui kasutate jalutuskäru rannas vm liivases/tolmuses kohas, puhastage käru pärast kasutamist, eemaldades mehhaaniliselt osadelt ja ratastelt liiva ja soola.

LT Sveiki! Tai – „Joie™“!

Sveikiname tapus „Joie“ šeimos dalimi! Mes labai džiaugiamės galėdami būti jūsų ir jūsų mažylio kelionės dalimi. Naudodami „Joie aerie“, džiaugsitės visapusiškai sertifikuotu aukštos kokybės vaikišku vežimėliu, patvirtintu pagal Europos saugos standartus EN 1888-2:2018. Šis gaminytinka vaikams iki 22 kg svorio arba 4 metų amžiaus, atsižvelgiant į tai, kas įvyksta pirmiau. Atidžiai perskaitykite šią naudojimo instrukciją ir vykdykite kiekvieną veiksmą, kad užtikrintumėte patogų vežiojimą ir geriausią vaiko apsaugą.

SVARBU! ATIDŽIAI PERSKAITYKITE IR IŠSAUGOKITE ATEIČIAI.

Apsilankykite mūsų svetainėje joiebaby.com ir atsisiųskite naudojimo instrukcijas bei pasidomėkite kitais įdomiais „Joie“ gaminiais!

Informacijos apie garantiją rasite apsilankę mūsų tinklapyje joiebaby.com.

Turinys

Pav.	1-12
ĮSPĖJIMAS	321
Vaikiško vežimėlio surinkimas	324
Vežimėlio išlankstymas	324
Priekinių ratukų sumontavimas ir išmontavimas	324
Galinių ratukų sumontavimas ir išmontavimas	324
Stogelio montavimas	324
Ranktūrio sumontavimas ir išmontavimas	324

Vaikiško vežimėlio naudojimas	325
Nugaros atlošo reguliavimas	325
Sagties naudojimas	325
Perpetinių ir juosmens diržų naudojimas	326
Blauzdų atramos reguliavimas	326
Priekinio šarnyro fiksatoriaus naudojimas	327
Stabdžių naudojimas	327
Stogelio naudojimas	327
Rankenos reguliavimas	327
Sėdynės aukščio reguliavimas	327
Sėdynės apsukimas	328
Krepšio daiktams naudojimas	328
Vaikiško vežimėlio sudėjimas	328
Priedų naudojimas	329
Minkštųjų dalių nuėmimas ir uždėjimas	330
Valymas ir priežiūra	332

Skubus atvejis

Skubaus arba nelaimingo atsitikimo atveju svarbiausia, kad jūsų vaikui būtų nedelsiant suteikta pirmoji pagalba ir medicininis gydymas.

Informacija apie gaminį

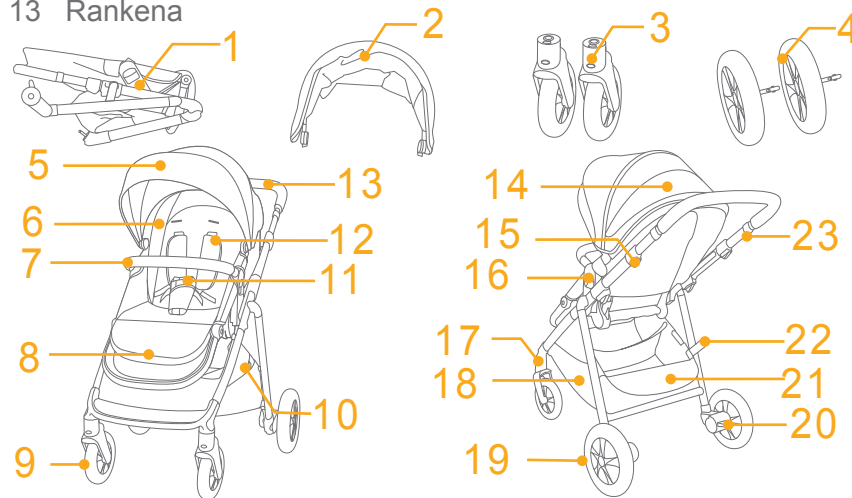
Prieš naudodamiesi šiuo gaminiu atidžiai perskaitykite šią naudojimo instrukciją. Jeigu kiltų papildomų klausimų, pasikonsultuokite su pardavėju. Tam tikros funkcijos gali skirtis ir priklausyti nuo modelio.

Gaminys	Vaikiškas vežimėlis „Aeria Stroller“
Tinka	vaikams iki 22 kg svorio arba 4 metų amžiaus, atsižvelgiant į tai, kas įvyksta pirmiau.
Medžiagos	Plastikas, metalas, audiniai
Patento Nr.	Patentas pateiktas registruoti
Pagaminta	Kinijoje
Firminis pavadinimas	„Joie“
Interneto svetainė	www.joiebaby.com
Gamintojas	„Allison GmbH“

Dalių sąrašas

Prieš surinkdami vežimėlį įsitikinkite, kad yra visos dalys. Jei trūksta kurios nors dalies, susisieki su pardavėju. Gaminiumi surinkti nereikia jokių įrankių.

- | | | | |
|----|--------------------------|----|-------------------------------|
| 1 | Vaikiško vežimėlio rėmas | 14 | Stoglangis |
| 2 | Stogelis | 15 | Sudėjimo mygtukas |
| 3 | Priekinis ratukas | 16 | Sėdynės atlaisvinimo mygtukai |
| 4 | Galinis ratukas | 17 | Šarnyro fiksatorius |
| 5 | Stogelis | 18 | Krepšys daiktams A |
| 6 | Sėdynės paklotas | 19 | Galinis ratukas |
| 7 | Ranktūris | 20 | Stabdžių svirtis |
| 8 | Blauzdų atrama | 21 | Krepšys daiktams B |
| 9 | Priekinis ratukas | 22 | Krepšio fiksatorius |
| 10 | Krepšys daiktams | 23 | Rankenos reguliavimo mygtukas |
| 11 | Sągtis | | |
| 12 | Perpetinis diržas | | |
| 13 | Rankena | | |

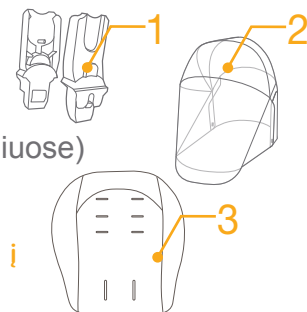


Priedai

(gali būti įsigijami atskirai)

- 1 Adapteris (tam tikruose modeliuose)
- 2 Porankio gaubtas (tam tikruose modeliuose)
- 3 Įdėklas (tam tikruose modeliuose)

Priedai gali būti parduodami atskirai arba visai neparduodami, atsižvelgiant į regioną.



ĮSPĖJIMAS

- ! ĮSPĖJIMAS! Visada naudokite apsaugos sistemą. Privaloma tinkamai naudoti saugos diržus ir tvirtinimo sistemas.
- ! ĮSPĖJIMAS! Prieš naudodami įsitikinkite, kad visi fiksavimo įtaisai yra užfiksuoti.
- ! ĮSPĖJIMAS! Neleiskite vaikui žaisti su šiuo gaminiu.
- ! ĮSPĖJIMAS! Prieš naudodami patikrinkite, ar vežimėlio rėmo, sėdynės arba automobilinės kėdutės tvirtinimo įtaisai yra tinkamai užfiksuoti.
- ! Gaminį privalo surinkti suaugęs asmuo.
- ! Šis gaminys tinka vaikams iki 22 kg svorio arba 4 metų amžiaus, atsižvelgiant į tai, kas įvyksta pirmiau.
- ! Į krepšį daiktams laikyti nedėkite daugiau nei 4,5 kg, kad nekiltų pavojingų sąlygų ir vežimėlis neprarastų stabilumo.
- ! Niekada nepalikite vaiko be priežiūros. Veždami vaiką vežimėlyje, visada jį stebėkite.
- ! Vežimėlyje vienu metu vežkite tik vieną vaiką. Niekada nedėkite piniginių, pirkinių krepšių, siuntinių ar aksesuarų ant rankenos ar stogelio.
- ! Draudžiama naudoti gamintojo nepatvirtintus priedus. Rekomenduojama naudoti tik pateiktąsias arba gamintojo rekomenduojamas atsargines dalis.
- ! Perkrautas, netinkamai sudėtas ar naudojamas su kitų gamintojų dalimis, vežimėlis gali būti sugadintas, sulaužytas arba nesaugus. Atidžiai perskaitykite naudojimo instrukciją.
- ! Prieš naudodamiesi gaminiu, atidžiai perskaitykite jo naudojimo instrukciją. Išsaugokite naudojimo instrukciją ateičiai. Nesilaikant šių atsargumo priemonių ir nurodymų, kyla sunkių sužalojimų arba mirties pavojus.
- ! Visada naudokite saugos diržą, kad vaikas neišslystų, nenukristų ir nesusižalotų.
- ! Reguluodami vežimėlį įsitikinkite, kad vaiko kūnas yra atokiai nuo judančių dalių.

- ! Neleiskite vaiko prie vežimėlio, kol įsitikinkite, kad jis yra visiškai atlenktas ir sudėtas.
- ! Jei perpetinis diržas nebus naudojamas, vaikas gali netyčia įkšti kojas į angas ir pasismaugti.
- ! Niekada nevežkite vežimėlio laiptais ar eskalatoriumi.
- ! Saugokite vežimėlį nuo aukštos temperatūros daiktų, skysčių ir elektronikos prietaisų.
- ! Niekada neleiskite vaikui stovėti vežimėlyje ir sėdėti vežimėlyje galva į priekį.
- ! Niekada nestatykite vežimėlio ant kelio, šlaito ar pavojingoje vietoje.
- ! NEKABINITE vaikui ant kaklo daiktų ant virvelių, nekabinkite ant vežimėlio grandinėlių ir nepritvirtinkite žaislų raišteliais, kad vaikas netyčia nepasismaugtų.
- ! Bet kokia apkrova, pritvirtinta prie rankenos ir (arba) atlošo galo ir (arba) vežimėlio šonų, turės įtakos vežimėlio stabilumui.
- ! NEKELKITE vežimėlio, kol jame yra vaikas.
- ! NENAUDOKITE daiktams skirto krepšio vaikui nešti.
- ! Niekada neleiskite vaikui pačiam lipti į vežimėlį, kad vežimėlis neapvirstų, Visada patys įkelkite vaiką į vežimėlį ir iškelkite iš jo.
- ! Būkite atsargūs sudėdami ir išlankstydami vežimėlį, kad neprispaustumėte pirštų.
- ! Išlankstydami ir sudėdami šį gaminį užtikrinkite, kad vaikas būtų atokiai, kad išvengtumėte sužalojimų.
- ! Norėdami užtikrinti vaiko saugumą, prieš naudodami vežimėlį įsitikinkite, kad visos dalys yra tinkamai surinktos ir pritvirtintos.
- ! Vaikas privalo neliesti stogelio, kad netyčia nepasismaugtų.
- ! Pastatydami vežimėlį, visada įjunkite stabdžius.
- ! Nenaudokite vežimėlio, jei jis yra sugadintas ar sulaužytas.
- ! Vežimėlį galima naudoti tik einant įprastu greičiu. Šis gaminys neskirtas naudoti bėgiojant.

- ! Prieš pradėdami naudoti šį gaminį, nuimkite plastikinį maišelį ir pakavimo medžiagas, kad vaikas neuždustų. Plastikinį maišelį ir pakavimo medžiagas reikia laikyti kūdikiams ir vaikams nepasiekiamoje vietoje.
- ! Šis gaminys nėra tinkamas naudoti bėgiojant ar čiuožiant.
- ! Vaikiškas vežimėlis skirtas naudoti nuo pat gimimo; naujagimiams atlošą rekomenduojama visiškai nuleisti.
- ! Sodinant ar guldant vaikus ir iškeliant juos iš vežimėlio, privaloma įjungti vežimėlio stabdžius.
- ! Naudojant šį vežimėlį su automobilinėmis kėdutėmis ar išimamais lopšiais, jis neatstoja vaikiškos lovelės ar lovos. Jei jūsų vaikui reikia miegoti, jį privaloma paguldyti į tam tinkamą vaikišką vežimėlį, vaikišką lovelę ar lovą.
- ! Nešiojamojo lopšio naudoti negalima, vos tik vaikas sugeba pats atsisėsti, apsiversti ir atsikelti, pasiremdamas rankomis ir keliais. Maksimalus vaiko svoris: 9 kg.
- ! NENAUDOKITE ir ne pridėkite jokių čiužinukų, išskyrus pateiktą su nešiojamuoju lopšiu.
- ! Nedėkite jokių daiktų ant vežimėlio rankenos, sėdynės atlošo ar šonų. Bet kokia papildoma apkrova turės įtakos vežimėlio stabilumui, todėl vežimėlis galės pasvirti ir apvirsti.
- ! Negalima tiesti papildomų čiužinukų, nebent tai rekomenduotų gamintojas.
- ! Jei sėdynė bus nukreipta į galą, vežimėlio sudėti nepavyks.

Vaikiško vežimėlio surinkimas

(Žr. 1-12 puslapiuose esančius paveikslėlius)

Prieš surinkdami šį gaminį ir juo naudodamiesi, atidžiai perskaitykite visą naudojimo instrukciją.

Vežimėlio išlankstymas

žr. pav. ① - ③

Atlenkite fiksavimo skląstį ①, tada pasukite rankeną ② aukštyn – pasigirdęs spragtelėjimas reikš, kad vežimėlis yra visiškai paruoštas išskleisti.

! Paspauskite pakoją žemyn ir nustatykite iš naujo. ③ - 1

! Užfiksuokite mygtuką po blauzdų atrama. ③ - 2

! Prieš naudodami, patikrinkite, ar vaikiškas vežimėlis yra visiškai užfiksuotas.

Priekinių ratukų sumontavimas ir išmontavimas

žr. pav. ④ - ⑤

Galinių ratukų sumontavimas ir išmontavimas

žr. pav. ⑥ - ⑧

Stogelio montavimas

žr. pav. ⑨ - ⑩

Ranktūrio sumontavimas ir išmontavimas

žr. pav. ⑪ - ⑫

Visiškai surinktas vežimėlis privalo atrodyti taip, kaip pavaizduota ⑬

Vaikiško vežimėlio naudojimas

Nugaros atlošo reguliavimas

žr. pav. 14 - 15

Nugaros atlošą galima atlošti 5 kampais.

Nugaros atlošo atlošimas

Norėdami atlošti atlošą, suspauskite atlošimo rankeną ant sėdynės atlošo, tada patraukite atlošą žemyn. 14

Nugaros atlošo pakėlimas

Jei nugaros atlošą norite pakelti, pastumkite jį aukštyn. 15

! Įsitikinkite, kad atlošas yra tinkamai nustatytas.

! Į nugaros atlošo gale esantį krepšį galima dėti ne daugiau nei 0,45 kg svorio daiktų.

Sagties naudojimas

žr. pav. 16 - 17

Atsekite sagtį

Paspauskite mygtuką ir sagtis bus automatiškai atsegta. 16

Fiksavimo sąvara

Pritaikykite juosmens diržo sagtį prie perpetinio diržo sagties 17 - 1 ir sulygiuokite jas su centrine sagtimi; sagtis gali užsisegti automatiškai. 17 - 2 Pasigirdęs spragtelėjimas reiškia, kad sagtis yra tinkamai užsegta. 17 - 3

! Visada prisekite vaiką diržais, kad jis neišslystų, nenukristų ir sunkiai nesusižalotų.

! Patikrinkite, ar vaikas yra tinkamai pritvirtintas, ar diržai neatsilaisvinę. Tarp vaiko ir perpetinių diržų privaloma palikti maždaug vienos rankos pločio tarpą.

! Nesukryžiuokite perpetinių diržų. Antraip galite suspausti vaiko kaklą.

Perpetinių ir juosmens diržų naudojimas

žr. pav. 18 - 21

! Kad vaikas neiškristų, pasodinę ar paguldę vaiką ant sėdynės, patikrinkite, ar perpetiniai ir juosmens diržai yra tinkamame aukštyje ir ar jie yra tinkamo ilgio.

18 - 1 Perpetinio diržo fiksatorius

18 - 2 Slinkimo reguliatorius

Didesniam vaikui naudokite perpetinių diržų fiksatorių ir aukščiausiai esančias angas perpetiniams diržams.

Mažesniam vaikui naudokite perpetinių diržų fiksatorių ir žemiausiai esančias angas, skirtas perpetiniams diržams.

! Perpetinių diržų fiksatoriaus padėtį galima reguliuoti pro viršutinę angą, kurią dengia tvirtinimo detalės, arba po kišene. 19 - 1

Norėdami sureguliuoti perpetinių diržų fiksatoriaus padėtį, pasukite fiksatorių taip, kad jo šonas būtų nukreiptas į priekį. Prakiškite jį pro perpetinių diržų angą iš galo į priekį. 19 Dar kartą perkiškite jį pro angą, kuri yra arčiausiai vaiko pečių aukščio. 20

Norėdami pakeisti diržų ilgį, naudokite slinkimo reguliatorių. 21 - 1

Paspauskite mygtuką 21 - 2, tuo pat metu ištraukdami juosmens diržus iki tinkamo ilgio. 21 - 3

Blauzdų atramos reguliavimas

žr. pav. 22 - 23

Blauzdų atrama turi 2 padėtis.

Norėdami pakelti blauzdos atramą, pakelkite ją į viršų. 22 Pasigirdęs spragtelėjimas reiškia, kad blauzdų atrama yra tinkamai užfiksuota.

Norėdami nuleisti blauzdos atramą, paspauskite reguliavimo mygtukus abiejose blauzdos atramos pusėse 23 - 1 ir nuleiskite blauzdos atramą žemyn. 23 - 2

Priekinio šarnyro fiksatoriaus naudojimas

žr. pav. 24

Priekinis ratas blokuojamas arba atlaisvinamas, kaip pavaizduota 24.

Patarimas Važiuojant nelygiomis vietovėmis, šarnyrus rekomenduojama užfiksuoti, kad nesisukiotų.

Stabdžių naudojimas

žr. pav. 25 - 26

Norėdami užblokuoti ratukus, paspauskite stabdžių svirtį žemyn. 25

Norėdami atlaisvinti ratukus, tiesiog pakelkite stabdžių svirtį į viršų. 26

Patarimas Visada įjunkite stovėjimo stabdį, kai vežimėlis nejuda.

Stogelio naudojimas

žr. pav. 27 - 28

Stogelį galima pakelti arba nuleisti, traukiant jį į priekį arba atgal.

Stogelį galima visiškai išskleisti, kad jūsų vaikas būtų visiškai apsaugotas nuo saulės – tiesiog atsekite užtrauktuką 27 ir patraukite stogelį į priekį.

Stogelyje yra langelis, pro kurį galėsite matyti savo kūdikį. 28

Rankenos reguliavimas

žr. pav. 29

Rankeną galima nustatyti į 4 padėtis.

Sėdynės aukščio reguliavimas

žr. pav. 30 - 31

Kėdutė turi 4 padėtis.

Pakelkite sėdynę, kad ji būtų aukštesnė. 30

Paspauskite sėdynės aukščio reguliavimo mygtukus ir patraukite aukštyn, paskui stumkite žemyn, kad sumažintumėte sėdynės aukštį. 31

Sėdynės apsikimas

žr. pav. 32 - 38

Sėdynę galima apsukti, kad vaikas ir mama būtų atsisukę vienas į kitą.

Keldami sėdynę, laikykite nuspaudę sėdynės atlaisvinimo mygtukus. Pasukite sėdynę priešinga kryptimi ir įtaisykite sėdynę į sėdynės laikiklius.

Abu sėdynės laikikliai privalo būti vienodame aukštyje, kaip pavaizduota 33; jei jie yra 34 ir 35 pavaizduotose padėtyse, paspauskite sėdynės aukščio reguliavimo mygtuką ir patraukite aukštyn, tada paspauskite žemyn, kad nuleistumėte sėdynę ir abu laikikliai būtų vienodame aukštyje. 36

Krepšio daiktams naudojimas

žr. pav. 39

Jei norite padidinti krepšį, atsekite krepšio sagas. 39 - 1

Į kiekvienoje krepšio pusėje esantį krepšį A galima dėti ne daugiau nei po 0,45 kg svorio daiktų.

Į krepšį daiktams laikyti ir krepšį B nedėkite daugiau nei 4,5 kg, kad nekiltų pavojingų sąlygų ir vežimėlis neprarastų stabilumo.

Vaikiško vežimėlio sudėjimas

žr. pav. 40 - 43

! Norėdami sudėti vežimėlį, pirmiausiai nuleiskite jo stogelį.

Paspauskite sudėjimo mygtuką ir patraukite aukštyn, 40, tada pasukite rankeną žemyn 41 ir fiksatorius automatiškai užsifikuos. 42

- ! Jei sėdynė bus apatinėje padėtyje, sudedant vežimėlį ji galės nusileisti žemyn, kad fiksatorius automatiškai užsifikuotų.
- ! Jei sėdynė bus nukreipta į galą, vežimėlio sudėti nepavyks. **43**
- ! Jei priekinio rato šarnyras bus užblokuotas, rėmo sudėti nepavyks.
- ! Vežimėlis su į priekį nukreipta sėdyne galės stovėti, jei rankena bus aukščiausioje padėtyje.

Priedų naudojimas

Priedai gali būti parduodami atskirai arba visai neparduodami, atsižvelgiant į regioną.

Dangos nuo lietaus naudojimas

žr. pav. **44**

Norėdami naudoti lietaus dangą, uždėkite ją ant sėdynės.

- ! Naudodamiesi lietaus danga, visada tikrinkite, ar vaikui pakanka oro.
- ! Kai lietaus dangos nenaudojate, prieš ją sulankstydami, įsitikinkite, kad ji yra švari ir sausa.
- ! Nesudėkite vežimėlio, nenuėmę lietaus dangos.
- ! Nesodinkite ir neguldykite vaiko į lietaus dangą uždengtą vežimėlį esant karštam orui.

Naudojimas su kūdikio lopšiu

žr. pav. **45** - **49**

Naudodami „Joie“ kūdikių apsaugos sistemas i-Gemm 2 & i-Level & i-Snug, vadovaukitės toliau pateiktais nurodymais.

- ! Pasigirdęs spragtelėjimas reiškia, kad adapteris yra tinkamai užfiksuotas.

- ! Kūdikio apsaugos sistemos kampa galima reguliuoti mūsų reguliuojamais adapteriais. **47**

- ! Adapteris turi 3 padėtis. Nenaudokite vežimėlio, jei pritvirtinus kūdikio apsaugos sistemą kūdikio galva yra žemiau nei kojos.

- ! Jei kiltų kokių nors problemų dėl kūdikio apsaugos sistemos naudojimo, skaitykite jų naudojimo instrukcijas.

- ! Nesudėkite vežimėlio, nenuėmę kūdikio apsaugos sistemos.

„Joie“ nešiojamojo lopšio naudojimas

žr. pav. **50** - **53**

Naudodami „Joie“ nešiojamąjį lopšį „Ramble“ ar „Ramble xl“, vadovaukitės toliau pateiktais nurodymais.

- ! Jei kiltų kokių nors problemų dėl nešiojamojo lopšio naudojimo, skaitykite jo naudojimo instrukcijas.

- ! Nenaudokite vežimėlio, jei pritvirtinus nešiojamąjį lopšį kūdikio galva yra žemiau nei kojos.

- ! Naudodami nešiojamąjį lopšį, visada naudokite čiužinuką.

- ! Nesudėkite vežimėlio, jei prie jo yra pritvirtintas nešiojamasis lopšys.

Įdėklo naudojimas

žr. pav. **54** - **55**

Minkštųjų dalių nuėmimas ir uždėjimas

žr. pav. 56 - 64

1. Nuimkite ranktūrį, kaip pavaizduota 12
2. Atsekite sagtį, esančią sėdynės apačioje. 56

Norėdami išimti minkštus sėdynės priedus, atlikite pirmiau nurodytus veiksmus atvirkščia eilės tvarka 64 - 56

Valymas ir priežiūra

žr. pav. 65

- ! Vežimėlio rėmą valykite tik buityje naudojamu muilu ir šiltu vandeniu. Nenaudokite baliklių ir skalbimo priemonių. Kaip valyti medžiagines vežimėlio dalis, žr. priežiūros etiketėje pateiktus nurodymus.
- ! Išimamas minkštas dalis galima plauti skalbyklėje. Nebalinti. Labai stipriai negręžkite sėdynės apdangalo ir vidinio paminkštinimo, norėdami, kad jie greičiau išdžiūtų. Antraip sėdynės apdangalas ir vidinį paminkštinimas gali likti susiglamžę.
- ! Kartkartėmis patikrinkite, ar vežimėlyje nėra atsilaisvinusių varžtų, nusidėvėjusių dalių, suplyšusių medžiagų ar prairusių siūlių. Jeigu reikia, dalis pakeiskite naujomis arba sutaisykite. Reguliariai valykite plastikinės dalis minkštu drėgnu skudurėliu. Jei vežimėlis sušlampa, visada nusauskinkite metalines dalis, kad jos nesurūdytų.
- ! Pernelyg didelis saulės ar šilumos poveikis vežimėlio dalis gali išblukti ar deformuoti.
- ! Jei vežimėlis sušlapo, prieš padėdami jį į saugojimo vietą, atidarykite stogelį ir palaukite, kol jis išdžius.
- ! Jei ratai girgžda, naudokite neklampią alyvą (pvz., silikoninį purškiklį, nuo rūdžių apsaugančią alyvą arba siuvimo mašinų alyvą). Svarbu, kad alyvos patektų į ašies ir rato mazgą. 65
- ! Naudodamiesi savo vežimėliu paplūdimyje ar kitoje smėlio ar dulkių pilnoje aplinkoje, po naudojimo kruopščiai išvalykite visą vežimėlį, kad pašalintumėte smėlį ir druską iš mechanizmų ir ratų mazgų.

Apsveicam, ka kļūvāt par daļu no Joie ģimenes! Mēs esam tik priecīgi būt par daļu no jūsu un mazuļa dzīves. Braucot ar Joie aeria, izmantojat augstas kvalitātes, pilnībā sertificētus ratiņus, kas apstiprināti ar Eiropas drošības standartu EN 1888-2:2018. Šis izstrādājums ir piemērots bērniem līdz 22 kg vai 4 gadu vecumam (atkarībā no tā, kurš no lielumiem ir pirmais). Rūpīgi izlasiet šo rokasgrāmatu un ievērojiet katru darbību, lai bērnam nodrošinātu ērtu braucienu un aizsardzību.

SVARĪGI! RŪPĪGI IZLASIET UN SAGLABĀJIET TOS TURPMĀKĀM UZZIŅĀM.

Apmeklējiet vietni joiebaby.com, lai lejupielādētu rokasgrāmatas un skatītu vairāk Joie izstrādājumu.

Garantijas informāciju skatiet mūsu tīmekļa vietnē joiebaby.com

Satura rādītājs

Attēli	1-12
BRĪDINĀJUMS	337
Ratiņi	340
Ratiņu atvēršana	340
Priekšējā riteņa uzstādīšana un noņemšana	340
Aizmugurējā riteņa uzstādīšana un noņemšana	340
Jumtiņa uzstādīšana	340
Roku balsta uzstādīšana un noņemšana	340

Ratiņu lietošana	341
Atzveltnes regulēšana	341
Sprādzes lietošana	341
Plecu un jostas vietas siksnas lietošana	342
Apakšstilba atbalsta regulēšana	342
Priekšējā grozāmā fiksatora lietošana	343
Bremžu lietošana	343
Jumtiņa lietošana	343
Roktura regulēšana	343
Sēdekļa augstuma regulēšana	343
Sēdekļa pārslēgšana	344
Uzglabāšanas groza lietošana	344
Ratiņu salocīšana	344
Piederumu lietošana	345
Miksto paliktņu noņemšana un uzlikšana	346
Tīrīšana un apkope	348

Ārkārtas situācija

Ārkārtas situācijā vai nelaimes gadījumā vissvarīgāk ir nekavējoties bērnam sniegt pirmo palīdzību un medicīnisko palīdzību.

Informācija par izstrādājumu

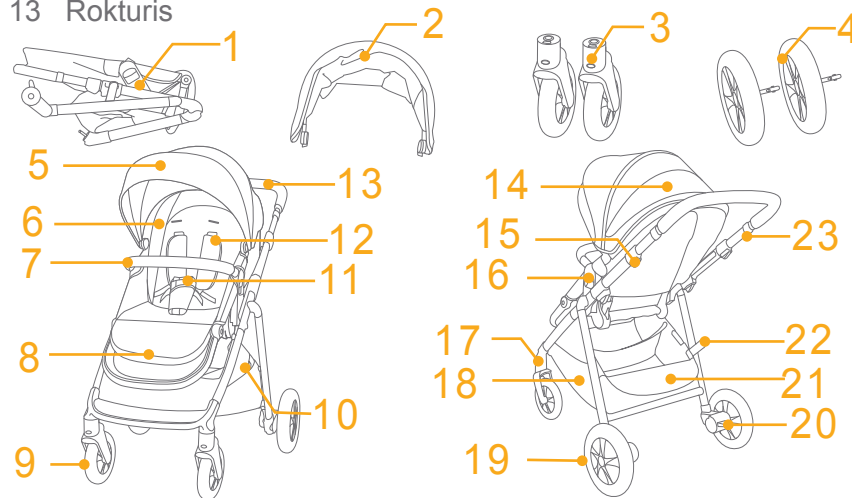
Pirms šī izstrādājuma lietošanas pilnībā izlasiet visus šajā lietošanas rokasgrāmatā sniegto informāciju. Ja jums ir kādi papildjautājumi, sazinieties ar mazumtirgotāju. Dažas funkcijas var atšķirties atkarībā no modeļa.

Izstrādājums	Aeria ratiņi
Piemērots	bērniem līdz 22 kg vai 4 gadu vecumam (atkarībā no tā, kurš no lielumiem ir pirmais).
Materiāli	Plastmasa, metāls, audums
Patenta numurs	Gaida patentu
Ražots	Ķīnā
Zīmola nosaukums	Joie
Tīmekļa vietne	www.joiebaby.com
Ražotājs	Allison GmbH

Daļu saraksts

Pirms salikšanas pārļiecinieties, vai visas detaļas ir pieejamas. Ja kādas detaļas trūkst, sazinieties ar vietējo izplatītāju. Montāžai nav nepieciešami papildu rīki.

- | | |
|-------------------------|------------------------------|
| 1 Ratiņu rāmis | 14 Jumtiņa lodziņš |
| 2 Jumtiņš | 15 Nolocīšanas poga |
| 3 Priekšējais ritenis | 16 Sēdekļa atbrīvošanas poga |
| 4 Aizmugurējais ritenis | 17 Grozīšanas fiksators |
| 5 Jumtiņš | 18 Uzglabāšanas maiss A |
| 6 Sēdekļa paliktnis | 19 Aizmugurējais ritenis |
| 7 Roku atbalsts | 20 Bremzes svira |
| 8 Apakšstilba balsts | 21 Uzglabāšanas maiss B |
| 9 Priekšējais ritenis | 22 Uzglabāšanas fiksators |
| 10 Uzglabāšanas grozs | 23 Roktura pielāgošanas poga |
| 11 Sprādze | |
| 12 Plecu sikсна | |
| 13 Rokturis | |

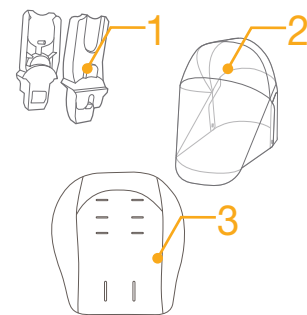


Piederumi

(var nebūt ietverti)

- 1 Adapteris (noteiktiem modeļiem)
- 2 Lietus pārsegs (noteiktiem modeļiem)
- 3 Ieliktnis (noteiktiem modeļiem)

Atkarībā no reģiona piederumi, iespējams, tiek pārdoti atsevišķi vai nav pieejami.



BRĪDINĀJUMS

- ! BRĪDINĀJUMS! Vienmēr lietojiet piesprādzēšanās sistēmu. Drošības jostas un pasīvās drošības aprīkojums ir jālieto pareizi.
- ! BRĪDINĀJUMS! Pirms izmantošanas pārliedzinieties, vai visas fiksēšanas ierīces ir aktīvas.
- ! BRĪDINĀJUMS! Neļaujiet bērnam spēlēties ar šo izstrādājumu.
- ! BRĪDINĀJUMS! Pirms lietošanas pārbaudiet, vai ratiņu rāmis, sēdekļi un automašīnas sēdekļa palīgierīces ir pareizi nofiksētas.
- ! Salikšana jāveic pieaugušajam.
- ! Šis izstrādājums ir piemērots bērniem līdz 22 kg vai 4 gadu vecumam (atkarībā no tā, kurš no lielumiem ir pirmais).
- ! Lai novērstu bīstamus, nestabilus apstākļus, nenovietojiet uzglabāšanas grozā vairāk par 4,5 kg.
- ! Nekad neatstājiet bērnu bez uzraudzības. Vienmēr uzraugiet bērnu, kad tas atrodas ratiņos.
- ! Lietojiet ratiņus vienlaikus tikai vienam bērnam. Nekad nenovietojiet somas, iepirkumu maisiņus, paciņas un piederumus uz roktura vai jumtiņa.
- ! Nedrīkst izmantot piederumus, kurus nav apstiprinājis ražotājs. Drīkst izmantot tikai ražotāja piegādātās vai ieteiktās rezerves daļas.
- ! Pārslogošana, nepareiza salocīšana un citu ražotāju komponentu detaļu izmantošana var radīt ratiņu bojājumus, salūšanu un drošības zudumu. Rūpīgi izlasiet šo lietošanas rokasgrāmatu.
- ! Pirms izstrādājuma lietošanas pilnībā izlasiet visus šajā lietošanas rokasgrāmatā sniegto informāciju. Saglabājiet rokasgrāmatu izmantošanai vēlāk. Šo brīdinājumu un norādījumu neievērošana var izraisīt nopietnas traumas vai nāvi.
- ! Lai izvairītos no nopietnām traumām, nokrītot vai izslīdot, vienmēr lietojiet drošības jostu.

- ! Regulējot ratiņus, pārliedzinieties, vai bērna ķermenis nesaskaras ar kustīgām detaļām.
- ! Pirms atļaut bērnam atrasties blakus ratiņiem, pārliedzinieties, vai ratiņi ir pilnībā atvērti vai salocīti.
- ! Ja netiek izmantotas siksnas, bērns var ieslīdēt kāju atverēs un nožņaugties.
- ! Nekad nelietojiet ratiņus uz kāpnēm vai eskalatoriem.
- ! Nenovietojiet karstu objektu, šķidrumu un elektronisko ierīču tuvumā.
- ! Nekad neļaujiet bērnam stāvēt uz ratiņiem un sēdēt ratiņos ar galvu uz leju.
- ! Nekad nenovietojiet ratiņus uz ceļiem, slīpumos un bīstamās zonās.
- ! Lai izvairītos no žņaugšanas riska, NENOVIETOJIET nekādus priekšmetus ar siksnu ap bērna kaklu, nepiekariet siksnas pie šī izstrādājuma un nepievienojiet siksnas pie rotaļlietām.
- ! Jebkāds uz roktura un/vai atzveltnes aizmugurē un/vai ratiņu sānos uzstādīts svars var ietekmēt ratiņu stabilitāti.
- ! NECELIET ratiņus, kamēr bērns atrodas ratiņos.
- ! NELIETOJIET uzglabāšanas grozu kā bērnu pārnēsātāju.
- ! Lai novērstu apgāšanos, nekad neļaujiet bērnam kāpt uz ratiņiem. Vienmēr ieceliet bērnu ratiņos un izceliet no tiem.
- ! Lai izvairītos no pirkstu iespiešanas, rīkojieties uzmanīgi, kad salokat un atlokat ratiņus.
- ! Lai izvairītos no traumām, nodrošiniet, ka izstrādājuma salocīšanas laikā bērns neatrodas tuvumā.
- ! Lai garantētu bērna drošību, pirms ratiņu lietošanas pārliedzinieties, vai visas detaļas ir pareizi uzstādītas un nostiprinātas.
- ! Lai izvairītos no žņaugšanas, pārliedzinieties, ka bērns nav aizķēries aiz jumtiņa.
- ! Kad novietojat ratiņus, vienmēr nofiksējiet bremzes.
- ! Pārtrauciet ratiņu lietošanu, ja tie ir bojāti vai salūzuši.

- ! Ratiņus drīkst izmantot tikai iešanas ātrumā. Šo izstrādājumu nav paredzēts izmantot skriešanai.
- ! Lai izvairītos no smakšanas, pirms izstrādājuma lietošanas noņemiet plastmasas maisiņus un iepakojumu. Plastmasas maisiņu un iepakojuma materiāls pēc tam ir jāuzglabā zīdaiņiem un bērniem nepieejamā vietā.
- ! Šis izstrādājums nav piemērots skriešanai vai skeitošanai.
- ! Saliekamos ratiņus, kas paredzēti lietošanai kopš dzimšanas, jaundzimušajiem ieteicams izmantot visvairāk atliekto stāvokli.
- ! Ievietojot un izņemot bērnu, bremzēm ir jābūt nofiksētām.
- ! Zīdaiņu stiprinājumiem, ko lieto kopā ar rāmi, šie ratiņi neaizstāj bērnu gultiņu vai gultu. Ja bērnam ir jāguļ, viņš ir jāievieto atbilstošos ratos, šūpulī vai gultiņā.
- ! Pārnēsātāju nedrīkst izmantot. Līdz bērns pats var sēdēt, apgāzties un var pacelt sevi uz rokām un kājām. Maksimālais bērna svars: 9 kg.
- ! NEIZMANTOJIET un nepievienojiet matraci, kurš nav piegādāts ar pārnēsātāju.
- ! Neuzstādiet nekādus priekšmetus uz roktura, sēdekļa atzveltnes un ratiņu sānos. Jebkāds papildu svars var ietekmēt ratiņu stabilitāti un radīt ratiņu apgāšanos.
- ! Papildu matracis nav jāpievieno, ja ražotājs to neiesaka.
- ! Nelokiet rāmi, kad sēdeklis ir vērsts uz aizmuguri.

Ratiņi

(Skatiet attēlus 1.-12. lappusē)

Pirms šī izstrādājuma salikšanas un lietošanas pilnībā izlasiet visu šajā lietošanas rokasgrāmatā sniegto informāciju.

Ratiņu atvēršana

skatiet attēlus ① - ③

Atdaliet uzglabāšanas fiksatoru no uzglabāšanas stiprinājuma ① un pēc tam paceliet rokturi augšup ②, klikšķis nozīmē, ka ratiņi ir pilnībā atvērti.

! Nospiediet pēdu balstu uz leju un atiestatiet to. ③ - 1

! Uzstādiet pogu zem apakšstilba atbalsta. ③ - 2

! Pirms turpināt lietošanu, pārbaudiet, vai ratiņi ir pilnībā nofiksēti.

Priekšējā riteņa uzstādīšana un noņemšana

skatiet attēlus ④ - ⑤

Aizmugurējā riteņa uzstādīšana un noņemšana

skatiet attēlus ⑥ - ⑧

Jumtiņa uzstādīšana

skatiet attēlus ⑨ - ⑩

Roku balsta uzstādīšana un noņemšana

skatiet attēlus ⑪ - ⑫

Pilnībā salikti ratiņi ir redzami kā ⑬

Ratiņu lietošana

Atzveltnes regulēšana

skatiet attēlus 14 - 15

Atzveltnei pieejami 5 slīpuma leņķi.

Atzveltnes nolaišana

Lai nolaistu atzveltņi, saspiediet nolaišanas rokturi sēdekļa aizmugurē. 14

Atzveltnes pacelšana

Lai paceltu atzveltņi, spiediet to augšup. 15

! Pārliedzieties, vai slīpums ir iestatīts pareizi.

! Uzglabāšanas kabatas maksimālais svars atzveltnes aizmugurē ir 0,45 kg.

Sprādzes lietošana

skatiet attēlus 16 - 17

Sprādzes atbrīvošana

Nospiediet pogu, sprādze tiek atbrīvota automātiski. 16

Sprādzes fiksēšana

Salāgojiet jostas siksnas sprādzi ar plecu siksnas sprādzi 17 - 1 un salāgojiet tās ar centrālo sprādzi. Sprādze automātiski nofiksējas. 17 - 2 "Klikšķis" norāda, ka sprādze ir pilnībā nofiksēta. 17 - 3

! Lai izvairītos no nopietnām traumām, nokrītot vai izslīdot, vienmēr nostipriniet bērnu ar drošības aprīkojumu.

! Pārliedzieties, vai bērns ir cieši nostiprināts. Vietai starp bērnu un plecu siksnu ir jābūt aptuveni rokas biezumā.

! Nekrustojiet plecu siksnas. Tas var radīt spiedienu uz bērna kaklu.

Plecu un jostas vietas siksnas lietošana

skatiet attēlus 18 - 21

! Lai aizsargātu bērnu no izkrišanas, pēc bērna ievietošanas krēslā pārbaudiet, vai plecu un jostas siksnas atrodas atbilstošā augstumā un ir atbilstoša garuma.

18 - 1 Plecu siksnas stiprinājums

18 - 2 Bīdāms pielāgotājs

Lielam bērnam izmantojiet pleca siksnas stiprinājumu un augstākās plecu gropes. Mazam bērnam izmantojiet pleca siksnas stiprinājumu un zemākās pleca gropes.

! Pleca siksnas stiprinājumu var pielāgot no augšējās atveres, kas aizvērta ar stiprinājumiem vai zem kabatas. 19 - 1

Lai pielāgotu plecu siksnas stiprinājuma pozīciju, pagrieziet stiprinājumu vienā līmenī ar to pusī, kas ir uz priekšu. Izvelciet caur plecu siksnas atveri no aizmugures uz priekšu. 19
Izvelciet to caur spraugu, kas ir vistuvāk bērna pleca augstumam. 20

Izmantojiet bīdāmo pielāgotāju, lai mainītu siksnas garumu.

21 - 1

Nospiediet pogu 21 - 2, velkot jostas siksnu atbilstošajā garumā. 21 - 3

Apakšstilba atbalsta regulēšana

skatiet attēlus 22 - 23

Apakšstilba atbalstam ir 2 pozīcijas.

Lai paceltu apakšstilba atbalstu, spiediet to uz augšu. 22
"Klikšķis" norāda, ka sprādze ir pilnībā nofiksēta.

Lai nolaistu apakšstilba atbalstu, abās apakšstilba atbalsta 23 - 1 pusēs nospiediet regulēšanas pogas un grieziet apakšstilba atbalstu uz leju. 23 - 2

Priekšējā grozāmā fiksatora lietošana

skatiet attēlus 24

Bloķēta vai atbloķēta priekšējā riteņa statuss kā 24.

Padoms Grozāmo fiksatoru ieteicams izmantot uz nelīdzenām virsmām.

Bremžu lietošana

skatiet attēlus 25 - 26

Lai nofiksētu riteņus, nospiediet ar kāju bremžu sviru uz leju. 25

Lai atbrīvotu riteni, vienkārši paceliet bremžu sviru uz augšu. 26

Padoms Vienmēr aktivizējiet bremzes, kad ratiņi nepārvietojas.

Jumtiņa lietošana

skatiet attēlus 27 - 28

Jumtiņu var atvērt vai aizvērt, velkot uz priekšu vai atpakaļ.

Jumtiņu iespējams pilnībā atvērt, lai aizsargātu bērnu no saules, vienkārši attaisiet rāvējslēdzēju 27 un pēc tam velciet jumtiņu uz priekšu.

Uz jumtiņa ir logs, caur kuru varat redzēt bērnu. 28

Roktura regulēšana

skatiet attēlus 29

Rokturim ir 4 pozīcijas.

Sēdekļa augstuma regulēšana

skatiet attēlus 30 - 31

Sēdeklim ir 4 pozīcijas.

Velciet sēdekli augšup, lai palielinātu sēdekļa augstumu. 30

Spiediet sēdekļa augstuma regulēšanas pogu un velciet augšup, pēc tam spiediet lejup, lai samazinātu sēdekļa augstumu. 31

Sēdekļa pārslēgšana

skatiet attēlus 32 - 38

Sēdekli var apgriezt, kas nodrošina iespēju mātei un bērnam skatīties vienam uz otru.

Nospiediet sēdekļa atbrīvošanas pogas, vienlaikus ceļot sēdekli. Grieziet sēdekli apgrieztā stāvoklī un ievietojiet sēdekli uz sēdekļa stiprinājumiem.

Abiem sēdekļa stiprinājumiem ir jābūt 33 parādītajā līmenī, ja rodas 34 un 35 situācija, spiediet lejup, lai samazinātu sēdekļa augstumu un pārlicinātos, ka abi sēdekļa stiprinājumi ir vienā līmenī. 36

Uzglabāšanas groza lietošana

skatiet attēlus 39

Atvienojiet pogas grozā, lai palielinātu groza tilpumu. 39 - 1

Katra uzglabāšanas maisa A maksimālais svars abās groza pusēs ir 0,45 kg.

Lai novērstu bīstamus, nestabilus apstākļus, nenovietojiet uzglabāšanas grozā vairāk par 4,5 kg uzglabāšanas maisā un uzglabāšanas maisā B.

Ratiņu salocīšana

skatiet attēlus 40 - 43

! Pirms ratiņu salocīšanas salokiet jumtiņu.

Spiediet salocīšanas pogu un velciet augšup, 40 pēc tam grieziet rokturi lejup, 41 salocīšanas fiksators var nofiksēties automātiski. 42

- ! Ja sēdeklis atrodas zemākajā pozīcijā, tas var salocīšanas laikā noslīdēt uz leju, lai nodrošinātu, ka fiksators automātiski nofiksējas.
- ! Nelokiet rāmi, kad sēdeklis ir vērsts uz aizmuguri. 43
- ! Nelokiet rāmi, kad ir nofiksēts priekšējā riteņa grozīšanas fiksators.
- ! Ratiņi ar uz priekšu vērstu sēdekli var stāvēt, kad rokturis ir augšējā pozīcijā.

Piederumu lietošana

Atkarībā no reģiona piederumi, iespējams, tiek pārdoti atsevišķi vai nav pieejami.

Lietus pārsega lietošana skatiet attēlus 44

- Lai saliktu lietus pārsegu, novietojiet to pāri sēdeklim.
- ! Kad izmantojat lietus pārsegu, vienmēr pārbaudiet tā ventilāciju.
- ! Kad netiek izmantots, vienmēr pārbaudiet, vai pirms salocīšanas lietus pārsegs ir notīrīts un izžāvēts.
- ! Nesalokiet ratiņus, kad ir uzstādīts lietus pārsegs.
- ! Karstā laikā neievietojiet bērnu ratiņos, kuriem uzstādīts lietus pārsegs.

Lietošana ar zīdaiņu/bērnu stiprinājumiem skatiet attēlus 45 - 49

Kad lieto ar Joie zīdaiņu/bērnu stiprinājumiem i-Gemm 2 & i-Level & i-Snug, skatiet šo lietošanas rokasgrāmatu.

- ! “Klikšķis” norāda, ka adapteris ir pilnībā nofiksēts.

- ! Zīdaiņu stiprinājuma lenķi var pielāgot ar pielāgojamiem adapteriem. 47
- ! Adapterim ir 3 pozīcijas. Nelietojiet izstrādājumu, kad pēc zīdaiņu stiprinājuma bērna galva ir zemāk par kājām.
- ! Ja rodas kādas problēmas ar zīdaiņu/bērnu stiprinājuma lietošanu, skatiet to lietotāja rokasgrāmatas.
- ! Nesalokiet ratiņus, kad ir uzstādīts zīdaiņu/bērnu stiprinājums.

Izmantošana ar Joie pārnēsātāju skatiet attēlus 50 - 53

Kad izmantojat ar Joie pārnēsātāju ramble, ramble xl, skatiet šo lietošanas rokasgrāmatu.

- ! Ja rodas kādas problēmas ar pārnēsātāja lietošanu, skatiet to lietotāja rokasgrāmatas.
- ! Nelietojiet izstrādājumu, kad pēc pārnēsātāja stiprināšanas bērna galva ir zemāk par kājām.
- ! Vienmēr ar pārnēsātāju lietojiet matraci.
- ! Nesalokiet ratiņus, kad uzstādīts pārnēsātājs.

Ieliktna lietošana skatiet attēlus 54 - 55

Mīksto paliktņu noņemšana un uzlikšana

skatiet attēlus 56 - 64

1. Noņemiet roku balstu, kā redzams 12
2. Atveriet sprādzi, kas atrodas sēdekļa apakšā. 56

Lai atkārtoti uzliktu mīkstos paliktņus, apgrieztā secībā izpildiet iepriekš aprakstītās darbības 64 - 56

Tīrīšana un apkope

skatiet attēlus 65

- ! Lai tīrītu ratiņu rāmi, lietojiet tikai mājāsaimniecības ziepes un siltu ūdeni. Nelietojiet balinātāju un mazgāšanas līdzekli. Norādījumus par ratiņu auduma daļu tīrīšanu skatiet kopšanas etiķetē.
- ! Noņemamos mīkstos paliktņus var mazgāt veļas mazgājamajā mašīnā. Nelietojiet balinātāju. Negrieziet sēdekļa pārsegu un iekšējo paliktņi, lai izžmiegtu mitrumu. Tas var atstāt uz sēdekļa pārsega un iekšējā paliktņa krokas.
- ! Laiku pa laikam pārbaudiet, vai ratiņiem nav atbrīvojušās skrūves, nodilušas detaļas, saplīsis materiāls un šuves. Nomainiet vai salabojiet detaļas, ja nepieciešams. Periodiski noslaukiet plastmasas detaļas ar mitru drānu. Vienmēr nožāvējiet metāla detaļas, lai novērstu rūsas rašanos, ja ratiņi nonāk saskarē ar ūdeni.
- ! Pārmērīga saules vai karstuma iedarbība var izraisīt daļu izbalēšanu vai deformāciju.
- ! Ja ratiņi kļūst mitri, pirms uzglabāšanas atveriet jumtiņu un ļaujiet tam nožūt.
- ! Ja riteņi čīkst, izmantojiet vieglu eļļu (piemēram, silikona aerosolu, pretrūsas eļļu vai šujmašīnas eļļu). Svarīgi, lai eļļa iekļūtu asī un riteņos. 65
- ! Lietojot ratiņus pludmalē vai citās smilšainās/putekļainās vietās, pēc lietošanas pilnībā notīriet ratiņus, lai smiltis un sāļi noņemtu no mehānismiem un riteņiem.

تهانينا لانضمامك إلى عائلة Joie! إننا في غاية السعادة لاشتراكنا في رحلتك مع طفلك الصغير؛ حيث يضمن لك السير مع Joie aeria أنك تستخدم عربة أطفال عالية الجودة ومعتمدة بالكامل ومطابقة لمعايير السلامة الأوروبية EN 1888-2:2018. هذا المنتج مناسب للاستخدام مع أطفال حتى ٢٢ كجم أو ٤ سنوات، أيهما يأتي أولاً. يرجى قراءة هذا الدليل بعناية واتباع كل خطوة فيه لضمان قيادة مريحة وتوفير أفضل حماية لطفلك. مهم: اقرأ التعليمات بعناية واحتفظ بها للرجوع إليها مستقبلاً.

زوروا موقعنا الإلكتروني joiebaby.com لتحميل أدلة الاستخدام ومشاهدة منتجات Joie المشوقة!

للاطلاع على معلومات الضمان؛ يرجى زيارة موقعنا على الويب، وعنوانه joiebaby.com

٣٥٧	تشغيل عربة الأطفال
٣٥٧	ضبط مسند الظهر
٣٥٧	استخدام إبريم الحزام
٣٥٨	استخدام مجموعة أحزمة الكتف والخصر
٣٥٨	ضبط مسند الساقين
٣٥٩	استخدام القفل الدوار الأمامي
٣٥٩	استخدام المكابح
٣٥٩	استخدام المظلة
٣٥٩	ضبط المقبض
٣٥٩	ضبط ارتفاع المقعد
٣٦٠	تبديل وضع المقعد
٣٦٠	استخدام سلة التخزين
٣٦٠	طي عربة الأطفال
٣٦١	استخدام الملحقات
٣٦٢	فك وتركيب الأجزاء اللينة
٣٦٣	التنظيف والصيانة

الطوارئ

في حالات الطوارئ أو الحوادث، يرجى العناية بالطفل عن طريق القيام بالإسعافات الأولية وتقديم العلاج الطبي فوراً.

المحتويات

١٢-١	الأشكال
٣٥٣	تحذير
٣٥٦	تجميع عربة الأطفال
٣٥٦	فتح عربة الأطفال
٣٥٦	تركيب وفصل العجلة الأمامية
٣٥٦	تركيب وفصل العجلة الخلفية
٣٥٦	تركيب المظلة
٣٥٦	تركيب وفصل الذراع

معلومات المنتج

يرجى قراءة كافة التعليمات الواردة في هذا الدليل قبل استخدام المنتج، وفي حال وجود استفسارات أخرى، يرجى الرجوع إلى الموزع للاستشارة، قد تختلف بعض مزايا المنتج وفقاً للطراز.

عربة أطفال Aeria

المنتج

أطفال حتى ٢٢ كجم أو ٤ سنوات، أيهما يأتي أولاً.

مناسب للاستخدام مع

بلاستيك، معدن، قماش

الخامات

براءات الاختراع المنتزعة

رقم براءة الاختراع

الصين

صنع في

Joie

اسم العلامة التجارية

www.joiebaby.com

موقع الويب

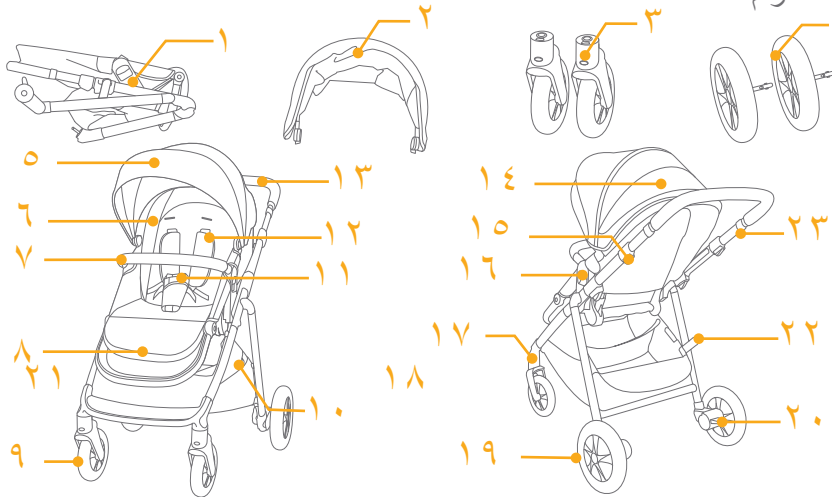
Allison GmbH

المصنع

قائمة الأجزاء

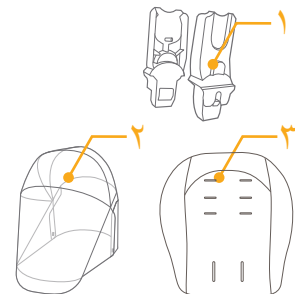
تأكد من توفر جميع الأجزاء قبل التجميع. يرجى الاتصال بالموزع المحلي في حالة غياب أي جزء. لا داعٍ لاستخدام أية أدوات للتجميع.

١٣	المقبض	١	إطار العربة
١٤	نافذة المظلة	٢	المظلة
١٥	زر الطي	٣	العجلة الأمامية
١٦	زر تحرير المقعد	٤	العجلة الخلفية
١٧	القفل الدوار	٥	المظلة
١٨	حقيبة التخزين أ	٦	وسادة المقعد
١٩	العجلة الخلفية	٧	مسند الذراعين
٢٠	ذراع المكابح	٨	مسند الساقين
٢١	حقيبة التخزين ب	٩	العجلة الأمامية
٢٢	مزلاج التخزين	١٠	سلة التخزين
٢٣	زر ضبط المقبض	١١	إبزيم
		١٢	حزام الكتف



الملحقات

(قد لا تكون مرفقة)



- ١ المهابئ (في بعض الطرز)
- ٢ الغطاء الواقي من المطر (في بعض الطرز)
- ٣ بطانة

قد يتم بيع الملحقات فردياً أو قد لا تكون متاحة وفقاً للمنطقة.

- ! تحذير احرص دائماً على استخدام نظام تقييد حركة الطفل. يجب استخدام أحزمة الأمان ونظام تقييد الحركة استخداماً صحيحاً.
- ! تحذير: تأكد من تعشيق جميع الأقفال قبل الاستخدام.
- ! تحذير: لا تدع الطفل يعبت بهذا المنتج.
- ! "تحذير" تحقق من تأمين هيكل العربة أو أدوات تثبيت وحدة المقعد أو مقعد السيارة ومن صحة تعشيقها قبل الاستخدام.
- ! يجب تركيب الكرسي بواسطة شخص بالغ.
- ! هذا المنتج مناسب للاستخدام مع أطفال حتى ٢٢ كجم أو ٤ سنوات، أيهما يأتي أولاً.
- ! لتفادي الحالات الخطرة أو غير المستقرة، لا تضع عناصر يزيد وزنها على ٤,٥ كجم في سلة التخزين.
- ! يُحظر بتاتاً ترك طفلك دون مراقبة. وحرص دائماً على مراقبة الطفل أثناء تواجده في العربة.
- ! استخدم العربة لحمل طفل واحد فقط في كل مرة. ولا تضع أبداً حقائب يد أو حقائب تسوق أو طروداً أو إكسسوارات على المقبض أو المظلة.
- ! يجب عدم استخدام قطع الغيار غير المعتمدة من قبل الجهة المصنّعة. فيجب عدم استخدام إلا قطع الغيار المرفقة أو الموصى بها من قبل الجهة المصنّعة.
- ! قد يتسبب الحمل الزائد أو محاولة طيّ العربة بطريقة غير صحيحة أو استخدام قطع غيار من إنتاج جهات تصنيع أخرى في تلف العربة أو كسرها أو جعلها غير آمنة للاستخدام. ويرجى الاطلاع على دليل التعليمات بعناية.
- ! يُرجى قراءة كل التعليمات الواردة في هذا الدليل قبل استخدام المنتج. يُرجى الاحتفاظ بدليل التعليمات لاستخدامه مستقبلاً. وقد يؤدي عدم مراعاة هذه التحذيرات وإتباع التعليمات إلى وقوع إصابات بالغة أو الوفاة.
- ! احرص على استخدام حزام الأمان دائماً لتفادي وقوع الإصابات البالغة الناتجة عن الوقوع أو الانزلاق.
- ! تأكد من ابتعاد جسد طفلك عن الأجزاء المتحركة عند ضبط العربة.

- ! تأكد من فتح العربة أو طيها بالكامل قبل السماح للطفل بالاقتراب منها.
- ! في حالة عدم استخدام الحزام قد ينزلق الطفل إلى فتحات الساق ومن ثم يتسبب ذلك في اختناقه.
- ! يُحظر استخدام عربة الأطفال على درج أو سلالم كهربائية.
- ! احرص على إبعاد العربة عن مصادر الحرارة المرتفعة أو السوائل أو الأجهزة الإلكترونية.
- ! يُحظر وقوف الطفل على العربة أو جلوسه بداخلها عندما تكون رأسه متجه ناحية المقدمة.
- ! يُحظر وضع عربة الأطفال على الطرق أو المنحدرات أو المناطق الخطرة.
- ! لتفادي الاختناق، تجنب وضع أي أجسام مزودة بسلاسل حول رقبة الطفل أو قم بفصل السلاسل عن المنتج أو ربطها في الألعاب.
- ! لا تربط أشياء بالمقبض أو ظهر المقعد أو جوانب عربة الأطفال لأنها ستؤثر على ثبات العربة.
- ! تجنب رفع العربة إذا كان الطفل بداخلها.
- ! تجنب وضع الطفل داخل سلة التخزين.
- ! لتجنب ميل العربة، احرص على عدم تسلق الطفل لها. ارفع طفلك داخل العربة أو خارجها دائماً.
- ! لتجنب انحسار الأصابع، احرص على طيّ العربة أو بسطها بعناية.
- ! تأكد من إبعاد الطفل عند بسط العربة أو طيها لتجنب إلحاق أي ضرر به.
- ! لضمان سلامة طفلك، يُرجى التأكد من تركيب كل المكونات وإحكام ربطها جيداً قبل استخدام العربة.
- ! لتجنب اختناق طفلك، تأكد من إبعاده عن الغطاء.
- ! احرص على تأمين المكابح عند وقوف العربة.
- ! احرص على عدم استخدام العربة في حال تعرضها للتلف أو الكسر.

تجميع عرببة الأطفال

(يرجى الرجوع إلى الأشكال الموضحة بالصفحات ١-١٢)

يرجى قراءة كل التعليمات الواردة في هذا الدليل قبل تجميع المنتج واستخدامه.

فتح عرببة الأطفال

راجع الصور ١ - ٣

افصل مزلاج التخزين عن حامله ١، ثم ارفع المقبض لأعلى ٢، حتى يصدر عنه صوت نقر يدل على فتح العرببة بالكامل.

! اضغط مسند القدمين لأسفل وأعد ضبطه. ٣ - ١

! يرجى تثبيت الزر أسفل مسند الساقين. ٣ - ٢

! تحقق من قفل مزلاج العرببة بالكامل قبل المتابعة.

تركيب وفصل العجلة الأمامية

راجع الصور ٤ - ٥

تركيب وفصل العجلة الخلفية

راجع الصور ٦ - ٨

تركيب المظلة

راجع الصور ٩ - ١٠

تركيب وفصل الذراع

راجع الصور ١١ - ١٢

تم توضيح تعليمات تركيب العرببة بالكامل على النحو ١٣

! يجب استخدام العرببة بسرعة المشي فقط. هذا المنتج غير مُصمم للاستخدام أثناء الركض.

! لتفادي الاختناق، احرص على إزالة الكيس البلاستيكي ومواد التعبئة قبل استخدام المنتج. والاحتفاظ بهما بعيدا عن متناول الأطفال والرضع.

! هذا المنتج غير مناسب للاستخدام أثناء الجري أو التزحلق.

! صُممت عرببة الأطفال لاستخدامها منذ لحظة الولادة، ويفضل استخدام وضعية الانحناء المُصممة خصيصًا للأطفال حديثي الولادة.

! يجب تأمين المكابح عند وضع الطفل في العرببة وإخراجه منها.

! بالنسبة إلى أنظمة تقييد حركة الطفل الرضيع المستخدمة مع هيكل أساسي، لا تحل هذه العرببة محل سرير طفل محمول أو ثابت. وفي حالة رغبة الطفل في النوم، يجب وضعه في مهد مناسب بعربة الطفل أو سرير طفل محمول أو سرير ثابت.

! لا يُستخدم سرير الطفل المحمول بمجرد أن يصبح الطفل قادرًا على الجلوس بمفرده والتدحرج والشب على يديه وركبتيه. الحد الأقصى لوزن الطفل: ٩ كجم

! تجنب وضع أي مفارش أو أحشية غير المثبتة بسرير الطفل المحمول.

! لا تربط أشياء بالمقبض أو ظهر المقعد أو جوانب العرببة الأطفال. فإن أي حمل إضافي يؤثر على ثبات عرببة الأطفال وقد يتسبب في انقلابها.

! لا يُسمح بإضافة مراتب أخرى ما لم يوصى المصنّع بذلك.

! يرجى عدم طي الإطار عندما يكون المقعد مواجهًا للخلف.

تشغيل عربة الأطفال

ضبط مسند الظهر

راجع الصور ١٤ - ١٥

تتوفر ٥ زوايا لإمالة مسند الظهر.

إمالة مسند الظهر

لإمالة مسند الظهر إلى الخلف، اضغط على مقبض الانحناء الموجود خلف المقعد، واسحب مسند الظهر لأسفل. ١٤

رفع مسند الظهر

لرفع مسند الظهر، اسحبه لأعلى. ١٥

! تأكد من ضبط الإمالة على وضع مناسب للاستخدام.

! الحد الأقصى لحمولة جيب التخزين الموجود خلف مسند الظهر هو ٠,٤٥ كجم.

استخدام إبزيم الحزام

راجع الصور ١٦ - ١٧

تحرير الإبزيم

اضغط على الزر وسيتم تحرير الإبزيم تلقائيًا. ١٦

قفل الإبزيم

طابق بين إبزيم حزام الخصر وإبزيم حزام الكتف ١٧ - ١، وقم بمحاذاتهما مع الإبزيم الأوسط، ويمكن عندئذٍ قفل الإبزيم تلقائيًا. ١٧ - ٢ يشير سماع صوت "نقرة" إلى قفل الإبزيم بالكامل. ١٧ - ٣

! لتفادي وقوع إصابات بالغة ناجمة من الوقوع أو الانزلاق، احرص دائمًا على تأمين طفلك باستخدام الحزام.

! تأكد من تثبيت طفلك بإحكام، وأن المسافة بين الطفل ومجموعة أحزمة الكتف تساوي سُمك يد واحدة تقريبًا.

! لا تضع أحزمة الكتف بشكل متقاطع؛ فهذا سيؤدي إلى الضغط على رقبة الطفل.

استخدام مجموعة أحزمة الكتف والخصر

راجع الصور ١٨ - ٢١

! لحماية طفلك من السقوط بعد وضعه في المقعد، تحقق من وجود مجموعتي أحزمة الكتف والخصر على ارتفاع وطول مناسبين.

١٨ - ١ نقطة تثبيت مجموعة أحزمة الكتف

١٨ - ٢ ضابط منزلق

استخدم مثبت حزام الكتف والفتحات العلوية للحزام مع الأطفال ذوي الحجم الكبير. بالنسبة إلى الأطفال الأصغر حجمًا، استخدم مثبت مجموعة أحزمة الكتفين وفتحات أحزمة الكتفين الأدنى.

! يمكن ضبط مثبت حزام الكتف من فوق الفتحة التي تُغلق بواسطة قطع التثبيت أو الجيب السفلي. ١٩ - ١

لضبط وضع مثبت حزام الكتف، قم بإدارة المثبت ليكون في نفس مستوى الجانب المتجه للأمام. أدخل الحزام عبر فتحة حزام الكتف من الخلف إلى الأمام. ١٩ وقم بإعادة إدخاله من خلال الفتحة الأقرب لمستوى ارتفاع كتف الطفل. ٢٠

استخدم ضابط الانزلاق لتغيير طول الحزام. ٢١ - ١

اضغط على الزر ٢١ - ٢ أثناء سحب مجموعة أحزمة الخصر إلى الطول المناسب. ٢١ - ٣

ضبط مسند الساقين

راجع الصور ٢٢ - ٢٣

يوجد موضعان لضبط مسند الساقين.

لرفع مسند الساقين، ادفعه لأعلى. ٢٢ ويشير سماع صوت "نقرة" إلى قفل مسند الساقين بالكامل.

لخفض مسند الساقين، اضغط على زري الضبط في كلا جانبي مسند الساقين ٢٣ - ١ ثم لف مسند الساقين لأسفل. ٢٣ - ٢

استخدام القفل الدوار الأمامي

راجع الصور ٢٤

حالة العجلة الأمامية وهي مقفلة أو غير مقفلة كما في ٢٤. **تلميح** يوصى باستخدام الأقفال الدوارة على أسطح غير مستوية.

استخدام المكابح

راجع الصور ٢٥ - ٢٦

لإيقاف حركة العجلات، اضغط على لسان المكبح نحو الأسفل. ٢٥
لتحرير حركة العجلات، ما عليك سوى رفع لسان المكبح. ٢٦
تلميح احرص دائماً على تأمين المكابح عند وقوف العربة.

استخدام المظلة

راجع الصور ٢٧ - ٢٨

يمكن فتح المظلة أو طيها، قم بسحبها نحو الأمام أو الخلف.
يمكن فتح المظلة بالكامل لحماية طفلك من أشعة الشمس تماماً؛ فكل ما عليك هو فتح الزمام المنزلق (السوستة) ٢٧ ، ثم سحب المظلة في اتجاه مقدمة العربة.
هناك نافذة على المظلة، يمكنك من خلالها مشاهدة طفلك. ٢٨

ضبط المقبض

راجع الصور ٢٩

توجد ٤ وضعيات لضبط المقبض.

ضبط ارتفاع المقعد

راجع الصور ٣٠ - ٣١

توجد ٤ مواضع لضبط المقعد.

اسحب المقعد لأعلى لزيادة ارتفاعه. ٣٠

اضغط على زر ضبط ارتفاع المقعد واسحبه لأعلى، ثم ادفعه لأسفل لتقليل ارتفاعه. ٣١

تبديل وضع المقعد

راجع الصور ٣٢ - ٣٨

يمكن تبديل وضع المقعد لتمكين الأم والطفل من الجلوس وجهاً لوجه.

اضغط على أزرار تحرير المقعد أثناء رفع المقعد، ولف المقعد إلى الاتجاه المعاكس، ثم أدخل المقعد في كتيفتي تثبيته.

يجب أن تكون كلا كتيفتي تثبيت المقعد مستوية كما هو موضح في ٣٣؛ وإذا حدثت الحالات المبينة في ٣٤ و ٣٥، يرجى الضغط على زر ضبط ارتفاع المقعد وسحبه لأعلى، ثم دفعه لأسفل لتقليل ارتفاعه للتأكد من استواء كلتا كتيفتي تثبيت المقعد. ٣٦

استخدام سلة التخزين

راجع الصور ٣٩

فك الأزرار في السلة لزيادة حيز السلة. ٣٩ - ١

الحد الأقصى لحمولة كل حقيبة تخزين أ في كلا جانبي السلة هو ٠,٤٥ كجم.

لمنع حدوث حالة خطرة بسبب عدم الاستقرار، لا تضع حمولة تزيد عن ٤,٥ كجم في سلة التخزين وحقيبة التخزين ب.

طي عربة الأطفال

راجع الصور ٤٠ - ٤٢

! يرجى طي المظلة قبل طي العربة.

اضغط على زر الطي واسحب لأعلى، ٤٠ ثم لف المقبض في اتجاه لأسفل، ٤١ ويمكن قفل مزلاج الطي تلقائياً. ٤٢

! إذا كان المقعد في الموضع السفلي، فقد ينزلق لأسفل أثناء طي العربة للتأكد من قفل مزلاج الطي تلقائيًا.

! يرجى عدم طي الإطار عندما يكون المقعد مواجهًا للخلف. ٤٣

! يرجى عدم طي الإطار عندما يكون القفل الدوار للعجلة الأمامية معشقًا.

! يمكن لعربة الأطفال ذات المقعد المواجه للأمام أن تقف في وضعية قائمة عندما يكون المقبض في أعلى وضع له.

استخدام الملحقات

قد يتم بيع الملحقات فرديًا أو قد لا تكون متاحة وفقًا للمنطقة.

استخدام الغطاء الواقي من المطر

راجع الصور ٤٤

لتركيب غطاء المطر، ضعه أعلى المقعد.

! عند استخدام الغطاء الواقي من المطر، يرجى التأكد من تهويته باستمرار.

! في حالة عدم استخدام الغطاء الواقي من المطر، تأكد من تنظيفه وتجفيفه قبل طيه.

! يرجى عدم طي العربة بعد تركيب الغطاء.

! تجنب وضع الطفل في عربة الأطفال المثبت بها الغطاء الواقي من المطر في حالة الطقس الحار.

الاستخدام مع نظام تقييد حركة الطفل الرضيع

راجع الصور ٤٥ - ٤٩

عند الاستخدام مع نظام تقييد حركة الطفل i-Gemm 2 & i-Level & i-Snug من Joie، يرجى اتباع التعليمات التالية:

! يشير سماع صوت "نقرة" إلى قفل المهايئ بالكامل.

! يمكن ضبط زاوية نظام تقييد حركة الطفل باستخدام مهائياتنا القابلة للضبط. ٤٧

! توجد ٣ مواضع لضبط المهايئ. يرجى عدم استخدام المنتج عندما يكون رأس الطفل منخفضًا عن القدمين بعد تركيب نظام تقييد حركة الطفل.

! يُرجى الرجوع إلى دليل التعليمات الخاص بنظام تقييد حركة الطفل، عند مواجهة أية مشكلة أثناء استخدامها.

! برجاء عدم طي العربة في الوقت الذي لا يزال فيه نظام تقييد حركة الطفل مركبًا.

الاستخدام مع سرير الطفل المحمول من Joie

راجع الصور ٥٠ - ٥٣

عند الاستخدام مع سرير الطفل المحمول من Joie، يرجى اتباع التعليمات التالية.

! إذا واجهت أي مشاكل في استخدام سرير الطفل المحمول، يرجى الرجوع إلى دليل تعليمات استخدامه.

! يرجى عدم استخدام المنتج عندما يكون رأس الطفل منخفضًا عن القدمين بعد تركيب سرير الطفل المحمول.

! استخدم المرتبة باستمرار عند استخدام سرير الطفل المحمول.

! يرجى عدم طي العربة عند تركيب سرير الطفل المحمول.

استخدام البطانة

راجع الصور ٥٤ - ٥٥

فك وتركيب الأجزاء اللينة

راجع الصور ٥٦ - ٦٤

١- فك مسند الذراع كما هو موضح في ١٢

٢- افتح الإبزيم الموجود في الجانب السفلي من المقعد. ٥٦

لإعادة تركيب أجزاء المقعد اللينة، اتبع الخطوات الواردة أعلاه بترتيب عكسي ٦٤ - ٥٦

راجع الصور ٦٥

! لتنظيف إطار العربة، استخدم صابونًا منزليًا وماء دافئًا فقط. ويحظر استخدام أية منظفات أو مبيضات. يُرجى الرجوع إلى ملصق العناية للحصول على تعليمات حول تنظيف قطع قماش العربة.

! يمكن غسل الأجزاء اللينة القابلة للإزالة في الغسالة. ويحظر استخدام المبيضات. تجنب عصر غطاء المقعد والبطانة الداخلية لتجفيفهما بقوة مفرطة؛ وإلا، فقد تتكون تجاعيد في الغطاء والبطانة.

! تحقق من وقت لآخر من عدم وجود أجزاء تالفة أو أقمشة ممزقة أو براغي مفكوكة أو غرز خياطة ممزقة. واحرص على استبدال الأجزاء التالفة أو إصلاحها عند الحاجة. امسح الأجزاء البلاستيكية ونظفها بصورة دورية باستخدام قطعة قماش مبللة. قم بتجفيف الأجزاء المعدنية دائمًا لتجنب تكوين الصدأ، في حالة تعرض العربة للماء.

! قد يتسبب التعرض المفرط لأشعة الشمس أو الحرارة في بهتان ألوان الأجزاء وانبعاجها.

! في حالة بلل عربة الأطفال، افتح الغطاء واتركها لتجف جيدًا قبل تخزينها.

! إذا سمعت صرير من العجلات، فاستخدم زيتًا خفيفًا (مثل بخاخ سيلكون أو زيت مقاوم للصدأ أو زيت ماكينة خياطة). ويوصى بوضع الزيت داخل تركيبات العجلات والمحور. ٦٥

! عند استخدام عربة الأطفال على الشاطئ أو على أي بيئة رملية/ملبدة بالغبار، احرص على تنظيف تركيبات العجل والمعدات من الرمال والملح جيدًا بعد الاستخدام.

Felicitări pentru că ați devenit parte din familia Joie! Ne bucurăm să participăm la călătoria alături de micuțul vostru. Când călătoriți cu Joie aera, folosiți un cărucior certificat, de înaltă calitate, aprobat conform standardelor europene de siguranță EN 1888-2:2018. Acest produs este potrivit pentru copiii de până la 22 kg sau vârsta de 4 ani, oricare dintre cele două survine mai întâi. Citiți cu atenție acest manual și urmați fiecare pas pentru a asigura o călătorie confortabilă și cea mai înaltă protecție pentru copilul dvs.

IMPORTANT - CITIȚI CU ATENȚIE ȘI PĂSTRAȚI PENTRU CONSULTĂRI ULTERIOARE.

Vizitați site-ul joiebaby.com pentru a descărca manuale și a vedea mai multe produse Joie!

Pentru informații privind garanția, vizitați site-ul nostru web pe joiebaby.com

Cuprins

Figurile	1-12
ATENȚIE	369
Asamblarea căruciorului	372
Pentru a deschide căruciorul	372
Asamblarea și demontarea roților din față	372
Asamblarea și demontarea roților din spate	372
Asamblarea copertinei	372
Asamblarea și demontarea cotierei	372

Funcționarea căruciorului	373
Reglarea spătarului	373
Utilizarea cataramii	373
Utilizarea hamurilor de umăr și de talie	374
Reglarea suportului pentru gambe	374
Utilizarea blocării pivotării roților față	375
Utilizarea frânei	375
Utilizarea copertinei	375
Reglarea mânerului	375
Reglarea înălțimii scaunului	375
Schimbarea scaunului	376
Utilizarea coșului de depozitare	376
Plierea căruciorului	376
Utilizarea accesoriilor	377
Demontarea și asamblarea părților moi	378
Curățare și întreținere	380

Urgențe

În caz de urgență sau accidente, este esențial să îi fie acordate primul ajutor și tratament medical copilului.

Informații referitoare la produs

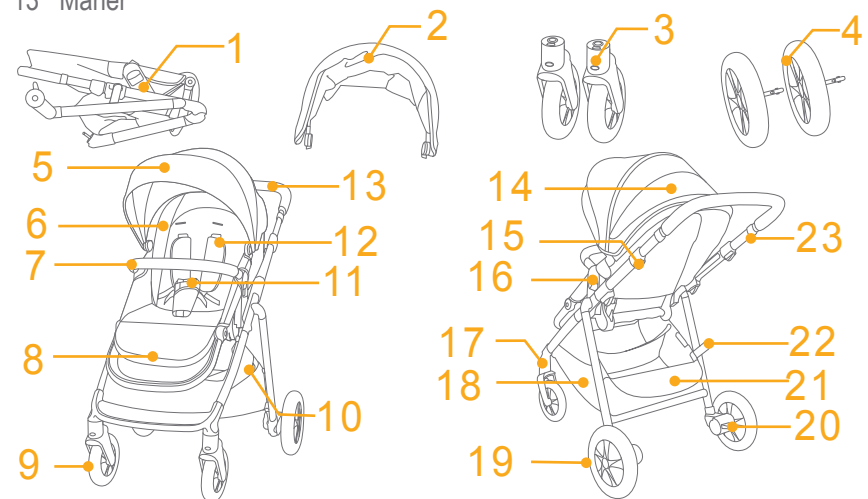
Citiți toate instrucțiunile din manual înainte de utilizarea acestui produs. Dacă aveți întrebări suplimentare, consultați vânzătorul. Unele caracteristici pot varia în funcție de model.

Produs	cărucior Aeria
Potrivit pentru	copiii de până la 22 kg sau vârsta de 4 ani, oricare dintre cele două survine mai întâi.
Materiale	Plastic, metal, textile
Nr. brevet	Brevete în așteptare
Fabricat în	China
Numele mărcii	Joie
Site web	www.joiebaby.com
Producător	Allison GmbH

Lista componentelor

Înainte de montare, asigurați-vă că aveți toate componentele. Dacă lipsește o componentă, vă rugăm să contactați distribuitorul local. Montajul nu necesită niciun fel de scule.

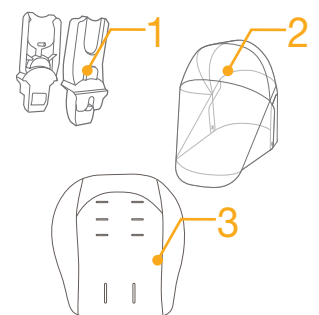
- | | | | |
|----|---------------------|----|---------------------------------------|
| 1 | Cadru căruciorului | 14 | Fereastra copertinei |
| 2 | Copertină | 15 | Buton pliere |
| 3 | Roată din față | 16 | Buton de eliberare pentru scaun |
| 4 | Roată din spate | 17 | Blocare pivotare |
| 5 | Copertină | 18 | Sac de depozitare A |
| 6 | Căptușeală scaun | 19 | Roată din spate |
| 7 | Bară pentru brațe | 20 | Manetă de frână |
| 8 | Suport pentru gambe | 21 | Sac de depozitare B |
| 9 | Roată din față | 22 | Mecanism de blocare pentru depozitare |
| 10 | Coș de depozitare | 23 | Buton de reglare a mânerului |
| 11 | Cataramă | | |
| 12 | Ham pentru umeri | | |
| 13 | Mâner | | |



Accesorii (pot să nu fie incluse)

- 1 Adaptor (la anumite modele)
- 2 Husă pentru ploaie (la anumite modele)
- 3 inserții (la anumite modele)

Accesoriile pot fi achiziționate separat sau nu sunt disponibile în funcție de regiune.



ATENȚIE

- ! ATENȚIE Utilizați întotdeauna sistemul de siguranță. Centurile de siguranță și sistemele de reținere trebuie utilizate corect.
- ! ATENȚIE Asigurați-vă că toate dispozitivele de blocare sunt cuplate înainte de utilizare.
- ! ATENȚIE Nu lăsați copilul să se joace cu acest produs.
- ! ATENȚIE Înaintea utilizării, verificați cuplarea corectă a corpului căruciorului sau a scaunului ori a dispozitivelor de atașare a scaunului auto.
- ! Asamblarea trebuie efectuată de un adult.
- ! Acest produs este potrivit pentru copiii de până la 22 kg sau vârsta de 4 ani, oricare dintre cele două survine mai întâi.
- ! Pentru a preîntâmpina o situație de pericol sau de instabilitate, nu așezați o greutate mai mare de 4,5kg în coșul de depozitare.
- ! Nu lăsați niciodată copilul nesupravegheat. Păstrați întotdeauna contactul vizual cu copilul atunci când se află în cărucior.
- ! Nu folosiți căruciorul pentru mai mult de un copil simultan. Nu așezați niciodată genți, plase, pachete sau accesorii pe mâner sau copertină.
- ! Se interzice utilizarea accesoriilor care nu sunt aprobate de către producător. Trebuie utilizate doar piese de schimb furnizate sau recomandate de către producător.
- ! Supraîncărcarea, plierea incorectă sau utilizarea pieselor componente de la alți producători pot cauza deteriorarea, ruperea căruciorului sau la reducerea siguranței acestuia. Citiți cu atenție manualul de instrucțiuni.
- ! Citiți toate instrucțiunile din manual înainte de utilizarea produsului. Păstrați acest manual de instrucțiuni pentru utilizare ulterioară. Nerespectarea acestor avertismente și instrucțiuni poate cauza vătămări corporale grave sau decesul.
- ! Pentru a evita accidentările grave cauzate de căderi sau alunecări, utilizați întotdeauna centura.
- ! Asigurați-vă că nu există pericolul ca piesele în mișcare să intre în contact cu copilul la reglarea căruciorului.
- ! Asigurați-vă că este deschis complet sau pliat căruciorul înainte de a permite copilului să se apropie de acesta.

- ! Copilul poate aluneca în orificiile pentru picioare și se poate strangula dacă nu se utilizează hamurile.
- ! Nu utilizați niciodată căruciorul pe stări sau pe scări rulante.
- ! Păstrați departe de obiecte la temperaturi mari, lichide și electronice.
- ! Nu lăsați niciodată copilul să stea în picioare în cărucior sau să stea în cărucior cu capul spre fața căruciorului.
- ! Nu amplasați niciodată căruciorul pe șosele, pante sau în zone periculoase.
- ! Pentru a evita strangularea, NU plasați obiecte cu corzi în jurul gâtului copilului, nu agățați corzi de acest produs și nu atașați șnururi la jucării.
- ! Orice sarcină atașată pe mâner și/sau pe partea din spate a spătarului și/ sau pe părțile laterale ale căruciorului afectează stabilitatea acestuia.
- ! NU ridicați căruciorul în timp ce copilul se află în acesta.
- ! NU utilizați coșul de depozitare pentru a transporta copii.
- ! Pentru a evita răsturnarea, nu lăsați copilul să se cațăre pe cărucior. Ridicați întotdeauna copilul pentru a-l băga sau scoate din cărucior.
- ! Pentru a evita prinderea degetelor, pliați și desfaceți cu grijă căruciorul.
- ! Pentru a evita rănirea, asigurați-vă că, atunci când deschideți și când pliați acest produs, copilul nu se află în apropierea acestuia.
- ! Pentru a garanta siguranța copilului dvs., asigurați-vă că toate componentele sunt asamblate și fixate corect, înainte de a utiliza căruciorul.
- ! Pentru a evita strangularea, asigurați-vă că bebelușul nu este deranjat de copertină.
- ! Acționați întotdeauna frânele când parcați căruciorul.
- ! Nu mai utilizați căruciorul dacă este deteriorat sau rupt.
- ! Căruciorul trebuie folosit doar la viteză de plimbare. Acest produs nu trebuie folosit pentru alergare.
- ! Pentru a evita sufocarea, îndepărtați punga de plastic și materialele de ambalare înainte de a utiliza acest produs. Punga de plastic și materialele de ambalare trebuie apoi ferite de sugari și copii.
- ! Acest produs nu este adecvat pentru alergare sau patinaj.
- ! Pentru cărucioarele destinate pentru a fi utilizate pentru copiii nou-născuți, se recomandă utilizarea poziției de înclinare maximă.
- ! Dispozitivul de parcare trebuie cuplat atunci când așezați sau ridicați copilul.

- ! Pentru sisteme de reținere a sugarilor utilizate în combinație cu un cadru, vehiculul nu înlocuiește pătuțul sau patul. În cazul în care copilul trebuie să doarmă, puneți copilul într-un cărucior, pătuț pliant sau pat adecvat.
- ! De îndată ce copilul poate să stea de unul singur, să se rostogolească și să se împingă în sus pe mâini și pe genunchi, se va înceta utilizarea pătuțului de transport. Greutatea maximă a copilului: 9 kg.
- ! NU folosiți și nu adăugați alte saltele decât cea furnizată de pătuțul portabil.
- ! Nu atașați obiecte de mâner, de spătarul scaunului sau de părțile laterale ale căruciorului. Orice sarcină suplimentară va afecta stabilitatea căruciorului și poate duce la răsturnarea acestuia.
- ! Nu se adaugă o saltea suplimentară decât la recomandarea producătorului.
- ! Nu pliați cadrul dacă scaunul este orientat în sens opus față de direcția de mers.

Asamblarea căruciorului

(consultați figurile de la paginile 1-12)

Citiți toate instrucțiunile din manual înainte de asamblarea și utilizarea acestui produs.

Pentru a deschide căruciorul

consultați imaginile ① - ③

Desprindeți mânerul de depozitare de suportul de depozitare ①, apoi ridicați mânerul ②, un sunet de clic înseamnă că a fost complet deschis căruciorul.

! Apăsăți în jos pe suportul pentru picioare și reasezați-l. ③ - 1

! Atașați butonul de sub suportul pentru gambă. ③ - 2

! Asigurați-vă că mecanismul căruciorului este complet blocat înainte de a continua utilizarea.

Asamblarea și demontarea roților din față

consultați imaginile ④ - ⑤

Asamblarea și demontarea roților din spate

consultați imaginile ⑥ - ⑧

Asamblarea copertinei

consultați imaginile ⑨ - ⑩

Asamblarea și demontarea cotierei

consultați imaginile ⑪ - ⑫

Căruciorul asamblat complet este indicat ca ⑬

Funcționarea căruciorului

Reglarea spătarului

consultați imaginile 14 - 15

Există 5 unghiuri de reglare a spătarului.

Înclinarea spătarului

Pentru a ridica sau înclina spătarul, rotiți mânerul de înclinare de pe spatele scaunului, trageți în jos de spătar. 14

Ridicarea spătarului

Pentru a ridica spătarul, împingeți în sus. 15

! Asigurați-vă că înclinarea este fixată corect înainte de utilizare.

! Sarcina maximă a buzunarului de depozitare de pe spatele spătarului este de 0,45 kg.

Utilizarea cataramii

consultați imaginile 16 - 17

Decuplarea cataramii

Apăsați butonul, catarama se va elibera automat. 16

Blocarea cataramii

Aliniați catarama curelei de talie cu catarama curelei de umăr 17 - 1 și aliniați-le cu catarama centrală, iar catarama se va bloca automat. 17 - 2 Un sunet de „clic” înseamnă că a fost blocată complet catarama. 17 - 3

! Pentru a evita accidentările grave cauzate de căderi sau alunecări, fixați întotdeauna copilul cu hamul.

! Asigurați-vă că ați fixat strâns copilul. Spațiul dintre copil și hamul de umăr este de aproximativ o lățime de mână.

! Nu încrucișați curelele de umăr. Aceasta va pune presiune asupra gâtului copilului.

Utilizarea hamurilor de umăr și de talie

consultați imaginile 18 - 21

! Pentru a proteja copilul astfel încât acesta să nu cadă, după ce copilul este așezat în scaun, verificați dacă hamurile de umăr și de la piept au înălțimea și lungimea corespunzătoare.

18 - 1 Prindere ham pentru umeri

18 - 2 Dispozitiv de reglare

Pentru copiii mai mari, folosiți punctul de fixare a hamului și orificiile superioare pentru umeri. Pentru copiii mai mici, folosiți punctul de fixare a hamului și cele mai joase orificii pentru umeri.

! Poziția de ancorare a centurii de umăr poate fi reglată de deasupra deschiderii care se închide la fixare sau de sub buzunar. 19 - 1

Pentru a regla poziția ancorei hamului pentru umăr, rotiți ancora cu latura orientată în față. Treceți-o prin fanta pentru hamul de umăr, din spate în față. 19 Treceți-o din nou prin fanta cea mai apropiată de înălțimea umărului copilului. 20

Utilizați dispozitivul de reglare pentru a modifica lungimea hamului. 21 - 1

Apăsați butonul 21 - 2, în timp ce trageți hamul de talie la lungimea corespunzătoare. 21 - 3

Reglarea suportului pentru gambe

consultați imaginile 22 - 23

Suportul pentru gambe are 2 poziții.

Pentru a ridica suportul pentru gambe, împingeți-l în sus. 22 Un sunet „clic” înseamnă că a fost blocat complet suportul pentru gambe.

Pentru a coborî suportul pentru gambe, apăsați pe butoanele de reglare de pe ambele părți ale suportului pentru gambe 23 - 1 și rotiți suportul pentru gambe în jos. 23 - 2

Utilizarea blocării pivotării roților față

Consultați imaginile 24

Starea roții din față blocată sau deblocată ca 24.

Sfat Se recomandă să utilizați dispozitivele de blocare a pivotării pe suprafețele denivelate.

Utilizarea frânei

consultați imaginile 25 - 26

Pentru a bloca roțile, călcați pe maneta de frână. 25

Pentru a elibera roțile, ridicați maneta de frână. 26

Sfat Acționați întotdeauna frâna de picior când căruciorul nu se mișcă.

Utilizarea copertinei

consultați imaginile 27 - 28

Copertina poate fi deschisă sau pliată, trageți-o spre față sau spre spate.

Copertina poate fi deschisă complet pentru a vă proteja copilul de soare la maximum, desfaceți fermoarul 27, apoi trageți copertina în față.

Există o fereastră pe copertină, prin care puteți vedea bebelușul. 28

Reglarea mânerului

Consultați imaginile 29

Mânerul are 4 poziții.

Reglarea înălțimii scaunului

consultați imaginile 30 - 31

Scaunul are 4 poziții.

Trageți scaunul în sus pentru a crește înălțimea scaunului. 30

Apăsați butoanele de reglare a înălțimii scaunului și trageți în sus, apoi apăsați în jos pentru a reduce înălțimea scaunului. 31

Schimbarea scaunului

consultați imaginile 32 - 38

Scaunul poate fi schimbat, pentru ca mama și copilul să fie față în față.

Strângeți butoanele de eliberare a scaunului și ridicați scaunul. Rotiți scaunul în direcția inversă și apoi introduceți scaunul pe suporturile sale.

Ambele suporturi trebuie să fie la același nivel, afișat în 33, dacă apar situațiile prezentate în 34 și 35, apăsați butonul de reglare a înălțimii scaunului și trageți în sus, apoi apăsați în jos pentru a reduce înălțimea scaunului, pentru a vă asigura că ambele suporturi sunt montate la același nivel. 36

Utilizarea coșului de depozitare

Consultați imaginile 39

Desfaceți clemele din coș pentru a mări spațiul coșului. 39 - 1

Sarcina maximă a fiecărui sac de depozitare A de pe ambele părți ale coșului este de 0,45 kg.

Pentru a preveni o situație de pericol sau de instabilitate, nu așezați o greutate mai mare de 4,5 kg în coșul de depozitare și coșul de depozitare B

Plierea căruciorului

consultați imaginile 40 - 43

! Pliati copertina înainte de a plia căruciorul.

Apăsați butonul de pliere și trageți în sus, 40 apoi rotiți mânerul în jos, 41 zăvorul pliabil se poate bloca automat. 42

! Dacă scaunul se află în poziția inferioară, acesta poate aluneca în timp ce pliați căruciorul, pentru a se asigura faptul că zăvorul se blochează automat.

! Nu pliați cadrul dacă scaunul este orientat în sens opus față de direcția de mers. 43

! Nu pliați cadrul când roata din față este blocată.

! Când mânerul se află în cea mai înaltă poziție și căruciorul este orientat spre direcția de mers, copilul poate sta în picioare.

Utilizarea accesoriilor

Accesoriile pot fi achiziționate separat sau nu sunt disponibile în funcție de regiune.

Utilizarea husei de ploaie

Consultați imaginile 44

Pentru a asambla husa de protecție împotriva ploii, așezați-o peste scaun.

- ! Dacă folosiți husa de ploaie, verificați întotdeauna ventilația corespunzătoare.
- ! Atunci când nu o folosiți, curățați și uscați husa de ploaie înainte de a o strânge.
- ! Nu pliați căruciorul după ce ați montat husa de ploaie.
- ! În zilele călduroase, nu așezați copilul în căruciorul cu husa de ploaie montată.

Utilizarea cu dispozitive de reținere a sugarilor

consultați imaginile 45 - 49

Când utilizați împreună cu sisteme de reținere a sugarilor Joie i-Gemm 2 & i-Level & i-Snug, consultați următoarele instrucțiuni.

- ! Un sunet „clic” înseamnă că a fost blocat complet adaptorul.
- ! Unghiul transportorului pentru copii poate fi ajustat cu ajutorul adaptoarelor noastre reglabile. 47
- ! Adaptorul are 3 poziții. Nu utilizați produsul atunci când capul bebelușului este situat într-o poziție mai joasă decât picioarele sale, după ce a fost atașat sistemul de reținere pentru bebeluși.
- ! Dacă aveți probleme cu utilizarea scaunului pentru sugari, consultați manualele de instrucțiuni ale dispozitivelor.
- ! Nu pliați căruciorul atunci când încă este atașat sistemul de reținere a sugarilor.

Utilizarea cu pătuțul portabil Joie

consultați imaginile 50 - 53

Consultați următoarele instrucțiuni la utilizarea cu pătuțul portabil Joie ramble, ramble xl.

- ! Dacă aveți probleme cu utilizarea pătuțului portabil, consultați manualele de instrucțiuni ale dispozitivelor.
- ! Nu utilizați produsul atunci când capul bebelușului este situat într-o poziție mai joasă decât picioarele sale, după ce a fost atașat pătuțul portabil.
- ! Folosiți întotdeauna salteaua atunci când utilizați pătuțul portabil.
- ! Nu pliați căruciorul când atașați pătuțul de transport.

Utilizarea inserției

consultați imaginile 50 - 53

Demontarea și asamblarea părților moi

consultați imaginile 56 - 64

1. Eliminați bara de sprijin pentru brațe, conform celor afișate 12
2. Deschideți catarama de pe partea de jos a scaunului. 56

Pentru a reasambla părțile moi ale scaunul, urmați pașii de mai sus în ordine inversă 64-56

Curățare și întreținere

Consultați imaginile 65

- ! Pentru a curăța cadrul căruciorului, utilizați săpun de uz casnic și apă caldă. Nu utilizați înălbitor sau detergent. Consultați eticheta de îngrijire pentru instrucțiuni despre curățarea părților textile ale căruciorului.
- ! Părțile moi detașabile pot fi spălate în mașina de spălat. Nu utilizați înălbitor. Nu răsuciți cu forță mare componentele moi și căptușeala interioară pentru a le usca. Poate lăsa cute în husa scaunului și căptușeala interioară.
- ! Verificați periodic căruciorul pentru a vedea dacă există șuruburi slăbite, piese uzate, material sau cusături sfâșiate. Înlocuiți sau reparați piesele după cum este necesar. Ștergeți periodic componentele de plastic cu o lavetă moale umedă. Uscați întotdeauna componentele de metal ale căruciorului pentru a preveni apariția ruginii, dacă acesta a intrat în contact cu apa.
- ! Expunerea excesivă la soare sau căldură poate cauza decolorarea sau deformarea pieselor.
- ! În cazul în care căruciorul se udă, deschideți copertina și lăsați-o să se usuce bine înainte de depozitare.
- ! Dacă scârțâie roțile, utilizați un ulei subțire (de exemplu, spray cu silicon, ulei anti-rugină, sau ulei pentru mecanisme fine). Este important să aplicați ulei în ansamblul axului și al roții. 65
- ! Atunci când utilizați căruciorul la plajă sau în zone cu mult praf/nisip, curățați căruciorul complet după utilizare, pentru a îndepărta nisipul și sarea de pe mecanismele și ansamblurile roților.

SL Dobrodošli pri znamki Joie™

Čestitamo vam, da ste postali član družine Joie! Veseli nas, da bomo del vašega življenja z malčkom. Ko potujete z vozičkom Joie aeria, uporabljate visokokakovosten, v celoti certificiran otroški voziček, ki je odobren v skladu z evropskim varnostnim standardom EN 1888-2:2018. Ta izdelek je primeren za otroke s telesno težo do 22 kg ali otroke, ki so stari do 4 let, karkoli nastopi prej. Natančno preberite ta navodila in upoštevajte vse korake, da boste zagotovili udobno vožnjo in najboljšo zaščito za svojega otroka.

POMEMBNO - NATANČNO PREBERITE IN SHRANITE ZA POZNEJŠO UPORABO.

Obiščite spletno stran joiebaby.com, kjer lahko prenesete navodila in si ogledate tudi druge vznemirljive izdelke Joie!

Informacije o garanciji najdete na spletni strani joiebaby.com

Vsebina

Slike	1–12
OPOZORILO	385
Sestavljanje otroškega vozička	388
Odpiranje otroškega vozička	388
Sestavljanje in odstranjevanje sprednjega kolesa	388
Sestavljanje in odstranjevanje zadnjega kolesa	388
Sestavljanje stehice	388
Sestavljanje in odstranjevanje naslonjala za roke	388

Upravljanje otroškega vozička	389
Nastavitev naslonjala	389
Uporaba zaponke	389
Uporaba ramenskih in trebušnega varnostnega pasu	390
Nastavitev podpore za meča	390
Uporaba zaklepa sprednjih vrtljivih koles	391
Uporaba zavore	391
Uporaba stehice	391
Nastavitev ročaja	391
Nastavitev višine sedeža	391
Zamenjava sedeža	392
Uporaba košare za shranjevanje	392
Zlaganje otroškega vozička	392
Uporaba dodatne opreme	393
Odstranjevanje in nameščanje mehkih delov	394
Čiščenje in vzdrževanje	395

V nujnem primeru

V nujnem primeru ali v primeru nesreče je pomembno, da otroku takoj nudite prvo pomoč in obiščete zdravnika.

Informacije o izdelku

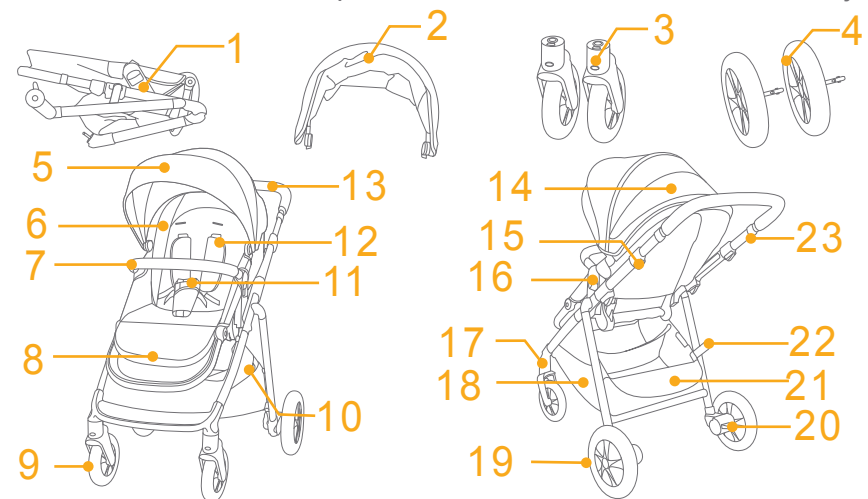
Pred uporabo izdelka preberite navodila v tem priročniku. Če imate dodatna vprašanja, se obrnite na trgovca. Nekatere funkcije so odvisne od modela.

Izdelek	Otroški voziček Aeria
Primerno za	Otroke s telesno težo do 22 kg ali otroke, ki so stari do 4 let, karkoli nastopi prej.
Materiali	Plastika, kovina, tkanina
Št. patenta	V postopku pridobitve patenta
Država izdelave	Kitajska
Ime blagovne znamke	Joie
Spletna stran	www.joiebaby.com
Proizvajalec	Allison GmbH

Seznam delov

Prepričajte se, da imate pred sestavljanjem izdelka na voljo vse dele. Če kateri del manjka, se obrnite na lokalnega prodajalca. Za sestavljanje izdelka ne potrebujete nobenega orodja.

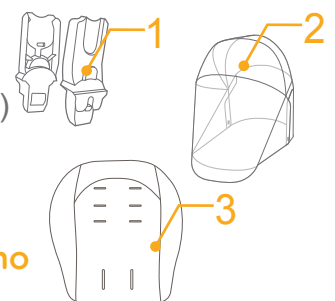
- | | | | |
|----|------------------------|----|---------------------------|
| 1 | Okvir vozička | 13 | Ročaj |
| 2 | Strehica | 14 | Okno na strehici |
| 3 | Sprednje kolo | 15 | Gumb za zlaganje |
| 4 | Zadnje kolo | 16 | Gumb za sprostitev sedeža |
| 5 | Strehica | 17 | Zaklep vrtljivih koles |
| 6 | Sedežna blazina | 18 | Torba za shranjevanje A |
| 7 | Naslonjalo za roke | 19 | Zadnje kolo |
| 8 | Podpora za meča | 20 | Vzvod zavore |
| 9 | Sprednje kolo | 21 | Torba za shranjevanje B |
| 10 | Nakupovalna košara | 22 | Zaklep za shranjevanje |
| 11 | Zaponka | 23 | Gumb za nastavitev ročaja |
| 12 | Ramenski varnostni pas | | |



Dodatna oprema

(Morda ni priložena)

- 1 Prilagodilnik (pri določenih modelih)
- 2 Dežno pregrinjalo (pri določenih modelih)
- 3 Vložek (pri določenih modelih)



Dodatna oprema je na voljo ločeno ali ni na voljo v vseh regijah.

OPOZORILO

- ! OPOZORILO Vedno uporabljajte sistem za zadrževanje otrok. Varnostne pasove in sisteme zadrževanja uporabljajte pravilno.
- ! OPOZORILO Pred uporabo se prepričajte, da so vse zaklepne naprave aktivirane.
- ! OPOZORILO Otroci se ne smejo igrati z izdelkom.
- ! OPOZORILO Pred uporabo preverite, ali so ohišje otroškega vozička, sedež oziroma priključne naprave za avtomobilski sedež pravilno aktivirani.
- ! Izdelek mora sestaviti odrasla oseba.
- ! Ta izdelek je primeren za otroke s telesno težo do 22 kg ali otroke, ki so stari do 4 let, karkoli nastopi prej.
- ! Da preprečite nevarno in nestabilno stanje, je največja dovoljena obremenitev nakupovalne košare 4,5 kg.
- ! Otroka nikoli ne pustite brez nadzora. Ko je otrok v vozičku, ga imejte vedno na očeh.
- ! Otroški voziček lahko uporablja le en otrok naenkrat. Nikoli ne odlagajte torbic, nakupovalnih vrečk, paketov ali dodatkov na ročaj ali strehico.
- ! Dodatne opreme, ki je ni odobril proizvajalec, ni dovoljeno uporabljati. Uporabljajte le nadomestne dele, ki jih dobavlja oziroma priporoča proizvajalec.
- ! Preobremenitev, napačno zlaganje ali uporaba delov drugih proizvajalcev lahko povzroči poškodbe otroškega vozička oziroma nevarnost pri uporabi. Priročnik z navodili natančno preberite.
- ! Pred uporabo izdelka preberite navodila v priročniku in jih shranite za poznejšo uporabo. Neupoštevanje teh opozoril in navodil lahko povzroči resne telesne poškodbe ali smrt.
- ! Vedno uporabljajte varnostni pas, da preprečite resne poškodbe zaradi padca ali zdrsa otroka iz vozička.
- ! Prepričajte se, da je telo otroka umaknjeno od premičnih delov, ko spreminjate nastavitve vozička.

- ! Preden otroku dovolite v bližino vozička, se prepričajte, da je voziček popolnoma odprt ali zložen.
- ! Če ne uporabljate varnostnega pasu, lahko otrok zdrsne v odprtino za noge in se zaduši.
- ! Vozička nikoli ne uporabljajte na stopnicah ali tekočih stopnicah.
- ! Pazite, da izdelek ne bo v bližini vročih predmetov, tekočin in elektronike.
- ! Nikoli ne dovolite otroku, da v vozičku stoji ali sedi tako, da je z glavo obrnjen proti sprednjemu delu vozička.
- ! Vozička nikoli ne postavljajte na cesto, klančino ali druga nevarna območja.
- ! Da se izognete zadužitvi, NE polagajte predmetov z vrvico okoli otrokovega vratu, ne obešajte vrvic na ta izdelek oziroma na igrače ne pritrjujte vrvic.
- ! Kakršno koli breme, pritrjeno na ročaj in/ali hrbtni del naslonjala in/ali na stranska dela otroškega vozička, bo vplivalo na stabilnost otroškega vozička.
- ! Vozička NE dvigujte, če je v njem otrok.
- ! Nakupovalne košare NE uporabljajte za prevažanje otroka.
- ! Da se voziček ne bo prekucnil, nikoli ne pustite otroku, da pleza v voziček. Otroka vedno odložite in dvignite iz vozička.
- ! Pri zlaganju in pripravi vozička pazite, da si ne uščipnete prstov.
- ! Med odpiranjem in zlaganjem tega izdelka se prepričajte, da v bližini ni otroka, in tako preprečite telesne poškodbe.
- ! Da bi zagotovili varnost otroka, se prepričajte, da so vsi deli pravilno sestavljeni in nameščeni, preden voziček uporabite.
- ! Da preprečite zadužitev, poskrbite, da otrok ne pride v stik s strešico.
- ! Kadar parkirate voziček, vedno aktivirajte zavoro.
- ! Če se voziček poškoduje ali zlomi, ga ne uporabljajte več.

- ! Voziček lahko uporabljate samo med hojo. Ta izdelek ni namenjen za uporabo med tekom.
- ! Da se izognete zadužitvi, pred uporabo odstranite plastično vrečko in embalažni material. Plastično vrečko in embalažni material morate nato hraniti stran od dojenčkov in otrok.
- ! Izdelek ni primeren za uporabo pri teku ali rolanju.
- ! Pri vozičku, namenjenem za uporabo od rojstva, priporočamo uporabo najbolj ležečega položaja za novorojenčke.
- ! Pri nameščanju in jemanju otroka iz vozička aktivirajte parkirno napravo.
- ! Pri uporabi lupinice skupaj s podvozjem upoštevajte, da ta otroški voziček ne nadomešča zibelke ali postelje. V času spanja odložite otroka v primerno košaro otroškega vozička, zibelko ali posteljo.
- ! Košaro za voziček prenehajte uporabljati takoj, ko otrok lahko sedi sam, se prekotali oziroma se dvigne na roke in kolena. Največja teža otroka: 9 kg.
- ! NE uporabljajte ali dodajajte nobenih vzmetnic razen tiste, ki je priložena.
- ! Na ročaj, hrbtišče ali ob strani vozička ne pritrjujte ničesar. Vsakršna dodatna obremenitev vpliva na stabilnost vozička in lahko povzroči, da se voziček prekucne.
- ! Ne uporabljajte dodatne vzmetnice, razen če to priporoča proizvajalec.
- ! Ohišja ne zlagajte, če je sedež usmerjen vzvratno.

Sestavljanje otroškega vozička

(Glejte slike na straneh 1–12.)

Pred sestavljanjem in uporabo izdelka preberite navodila v tem priročniku.

Odpiranje otroškega vozička

Glejte slike ①–③

Zaklep za shranjevanje ločite od držala za shranjevanje ① in nato ročaj dvignite. ② Slišen klik pomeni, da je otroški voziček popolnoma odprt.

! Naslon za noge potisnite navzdol in ga ponastavite. ③ - 1

! Namestite gumb pod podporo za meča. ③ - 2

! Pred nadaljnjo uporabo preverite, ali je voziček popolnoma razprt.

Sestavljanje in odstranjevanje sprednjega kolesa

Glejte slike ④–⑤

Sestavljanje in odstranjevanje zadnjega kolesa

Glejte slike ⑥–⑧

Sestavljanje strehice

Glejte slike ⑨–⑩

Sestavljanje in odstranjevanje naslonjala za roke

Glejte slike ⑪–⑫

Popolnoma sestavljen otroški voziček je prikazan na sliki ⑬.

Upravljanje otroškega vozička

Nastavitev naslonjala

Glejte slike 14–15

Hrbtno naslonjalo lahko namestite v 5 kotov nagiba.

Spuščanje naslonjala

Če želite naslonjalo spustiti, stisnite ročaj za nagib, ki je na hrbtne strani sedeža in naslonjalo potisnite navzdol. 14

Dvigovanje naslonjala

Če želite naslonjalo dvigniti, ga potisnite navzgor. 15

! Prepričajte se, da je naslonjalo ustrezno nameščeno za uporabo.

! Največja obremenitev predala za shranjevanje na hrbtne strani naslona je 0,45 kg.

Uporaba zaponke

Glejte slike 16–17

Sprostitev zaponke

Pritisnite gumb, da se zaponka samodejno sprosti. 16

Zapenjanje zaponke

Zaponko pasu nastavite z zaponko ramenskega pasu 17 - 1 in ju poravnajte s sredinsko zaponko, da se ta samodejno zaklene. 17 - 2 Slišen klik pomeni, da je zaponka popolnoma zaklenjena. 17 - 3

! Otroka vedno pripnite z varnostnim pasom, da preprečite resne telesne poškodbe zaradi padca ali zdrsa otroka iz vozička.

! Prepričajte se, da je otrok trdno pripet. Med otrokom in ramenskim varnostnim pasom je lahko prostora za približno debelino ene roke.

! Ramenskih pasov ne prekrizajte. V nasprotnem primeru bodo pasovi obremenili otrokov vrat.

Uporaba ramenskih in trebušnega varnostnega pasu

Glejte slike 18–21

! Da otroka zaščitite pred padcem iz vozička, ko že sedi v njem preverite, ali sta ramenska in trebušni varnostni pas na ustrezni višini in ustrezno dolga.

18 - 1 Zaponka ramenskega varnostnega pasu

18 - 2 Nastavek za nastavitev zaponke

Pri večjih otrocih uporabite ramenska pasova z zaponko in najvišje ramenske reže. Pri manjših otrocih uporabite ramenska pasova z zaponko in nižje ramenske reže.

! Položaj zaponke ramenskega pasu je mogoče nastaviti iz zgornje odprtine, ki se zapre s pritrdilnimi elementi ali spodnjim žepom. 19 - 1

Položaj ramenskega pasu z zaponko prilagodite tako, da je zaponka poravnana s stranjo, obrnjeno naprej. Povlecite ga skozi režo za ramenski pas od zadaj proti naprej. 19 Ponovno ga povlecite skozi režo, ki je najbližje višini ramen otroka. 20

Uporabite nastavek za nastavitev zaponke, da spremenite dolžino pasu. 21 - 1

Pritisnite gumb 21 - 2 in hkrati povlecite trebušni varnostni pas na zeleno dolžino. 21 - 3

Nastavitev podpore za meča

Glejte slike 22–23

Podpore za meča je mogoče namestiti v 2 položaja.

Če želite dvigniti podporo za meča, jo potisnite navzgor. 22 Slišen klik pomeni, da je podpora povsem zaklenjena.

Če želite znižati podporo za meča, nastavitvena gumba na obeh straneh podpore za meča 23 - 1 in podporo za meča zavrtite navzdol. 23 - 2

Uporaba zaklepa sprednjih vrtljivih koles

Glejte slike 24

Zaklenjeno ali odklenjeno stanje sprednjega kolesa, kot je prikazano na sliki 24.

Nasvet Na neravnih površinah priporočamo uporabo zaklepa vrtljivih koles.

Uporaba zavore

Glejte slike 25–26

Če želite zakleniti kolesa, z nogo potisnite vzvod zavore navzdol. 25

Če želite odkleniti kolesa, dvignite vzvod zavore. 26

Nasvet Kadar se otroški voziček ne premika, vedno aktivirajte parkirno zavoro.

Uporaba strehice

Glejte slike 27–28

Strehica je lahko odprta ali zaprta, kar pomeni, da jo povlecite naprej ali nazaj.

Strehica je lahko popolnoma odprta, da vašega otroka popolnoma zaščiti pred soncem. Preposto odprite zadrgo 27 in strehico povlecite naprej.

Na strehici je okno, skozi katero lahko opazujete otroka. 28

Nastavitev ročaja

Glejte slike 29

Ročaj je mogoče namestiti v 4 položaje.

Nastavitev višine sedeža

Glejte slike 30–31

Sedež ima štiri položaje.

Sedež povlecite navzgor, da povečate njegovo višino. 30

Pritisnite gumba za nastavitev višine sedeža, ga povlecite navzgor in nato potisnite navzdol, da znižate višino sedeža. 31

Zamenjava sedeža

Glejte slike 32–38

Sedež je mogoče zamenjati, tako da se lahko mati in otrok gledata.

Medtem ko dvigujete sedež, stisnite gumba za sprostitev sedeža. Sedež obrnite v nasprotno smer in ga nato vstavite na držala sedeža.

Obe držali sedeža morata biti poravnani, kot je prikazano na sliki 33. Če se zgodi situacija, prikazana na slikah 34 in 35, pritisnite gumb za nastavitev višine sedeža, ga povlecite navzgor in potisnite navzdol, da znižate višino sedeža ter zagotovite, da sta obe držali sedeža poravnani. 36

Uporaba košare za shranjevanje

Glejte slike 39

Odstranite gumba v košari, da povečate prostor v košari. 39 - 1

Največja obremenitev vsake torbe za shranjevanje A na obeh straneh košare je 0,45 kg.

Da preprečite nevarno in nestabilno stanje, v košaro za shranjevanje in torbo za shranjevanje B ne dajajte več kot 4,5 kg.

Zlaganje otroškega vozička

Glejte slike 40–43

! Preden voziček zložite, zložite strehico.

Pritisnite gumb za zlaganje in povlecite navzgor, 40 nato ročaj zavrtite navzdol 41 in ročica za zlaganje se lahko samodejno zaklene. 42

- ! Če je sedež v spodnjem položaju, lahko pri zlaganju otroškega vozička zdrsne navzdol, da zagotovi samodejno zaklepanje ročice za zlaganje.
- ! Ohišja ne zlagajte, če je sedež usmerjen vzvratno. 43
- ! Okvirja ne zlagajte, medtem ko je sprednje vrtljivo kolo zaklenjeno.
- ! Otroški voziček z naprej usmerjenim sedežem lahko stoji, ko je ročaj v najvišjem položaju.

Uporaba dodatne opreme

Dodatna oprema je na voljo ločeno ali ni na voljo v vseh regijah.

Uporaba dežnega pregrinjala

Glejte slike 44

Dežno pregrinjalo uporabite tako, da ga namestite čez sedež.

- ! Pri uporabi dežnega pregrinjala vedno preverite prezračevanje.
- ! Ko dežne prevleke ne uporabljate, jo očistite, posušite in nato zložite.
- ! Ne zlagajte vozička, če ste namestili dežno pregrinjalo.
- ! Ne nameščajte otroka v voziček z nameščenim dežnim pregrinjalom, kadar je vroče vreme.

Uporaba z lupinico

Glejte slike 45–49

Kadar otroški voziček uporabljate z lupinicami Joie iGemm 2, i-Snug & i-Level upoštevajte naslednja navodila.

- ! Slišen klik pomeni, da je prilagodilnik popolnoma zaklenjen.

- ! Naklon lupinice lahko prilagodite z našimi nastavljivimi prilagodilniki. 47
- ! Prilagodilnik ima tri položaje. Izdelka ne uporabljajte, kadar je po namestitvi lupinice otrokova glava nižje od nog.
- ! Če imate težave pri uporabi lupinice, glejte navodila za uporabo lupinice.
- ! Vozička ne zlagajte, če je lupinica še nameščena.

Uporabljajte s košaro za voziček Joie.

Glejte slike 50–53

Kadar otroški voziček uporabljate s košaro za voziček ramble, ramble xl, upoštevajte naslednja navodila.

- ! Če imate težave pri uporabi košare za voziček, glejte navodila za uporabo lupinice.
- ! Izdelka ne uporabljajte, kadar je po namestitvi košare za voziček otrokova glava nižje od nog.
- ! Kadar uporabljate košaro za voziček, vedno uporabljate vzmetnico.
- ! Kadar je košara za voziček nameščena, vozička ne zlagajte.

Uporaba vložka

Glejte slike 54–55

Odstranjevanje in nameščanje mehkih delov

Glejte slike 56–64

1. Naslonjalo za roke odstranite, kot je prikazano na sliki 12
2. Odprite zaponko, ki je na dnu sedeža. 56

Za ponovno nameščanje mehkih delov sledite zgornjim korakom v obratnem vrstnem redu 64–56

Čiščenje in vzdrževanje

Glejte slike 65

- ! Za čiščenje okvirja vozička uporabljajte samo gospodinjsko milo in toplo vodo. Ne uporabljajte belila ali detergenta. Za navodila glede čiščenja tekstilnih delov vozička glejte oznako za vzdrževanje.
- ! Snemljive mehke dele lahko strojno operete. Ne belite. Sedežne prevleke in notranjih podlog ne ožemajte preveč, saj bi lahko ostala zmečkana.
- ! Občasno voziček pregledajte zaradi morebitnih odvitih vijakov, obrabljenih delov, strganih materialov ali šivov. Po potrebi dele zamenjajte ali popravite. Plastične dele občasno obrišite z vlažno mehko krpo. Kovinske dele vedno obrišite do suhega, da preprečite rjavenje zaradi stika vozička z vodo.
- ! Pretirana izpostavljenost soncu ali vročini lahko povzroči bledenje posameznih delov tkanine in izgubo oblike.
- ! Če je voziček moker, odprite strehico in počakajte, da se popolnoma posuši, preden ga shranite.
- ! Če kolesa škripajo, uporabite lahko olje (npr. silikonsko olje proti rjavenju v pršilu ali olje za šivalni stroj). Pomembno je, da olje kanete v sklop osi in koles. 65
- ! Kadar otroški voziček uporabljate na plaži ali območjih, kjer je veliko prahu/peska, ga po uporabi temeljito očistite, da odstranite pesek in sol iz mehanizmov in sklopov koles.

Opomba



Allison GmbH
Adam-Opel-Straße 21 67227
Frankenthal

view all fine signature selections at
joiebaby.com/signature

IM-000428I