

Joie™

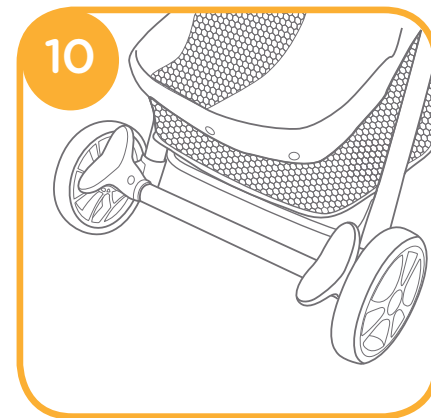
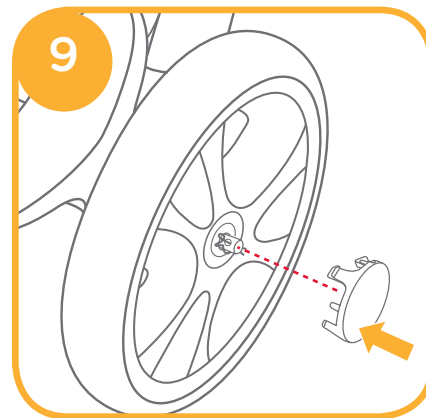
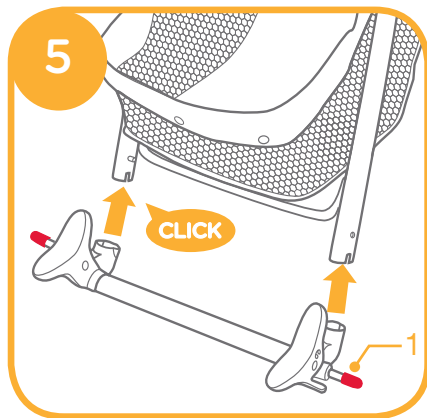
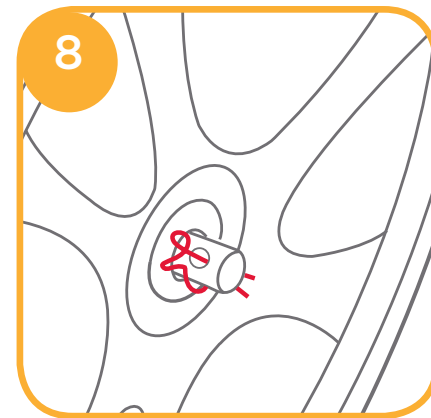
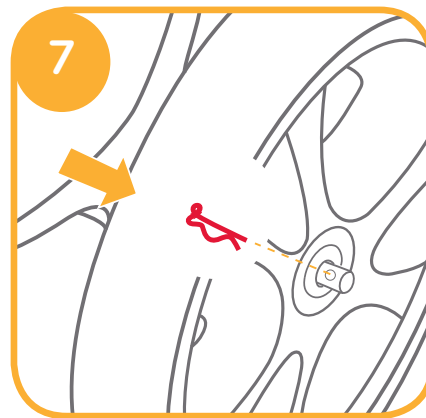
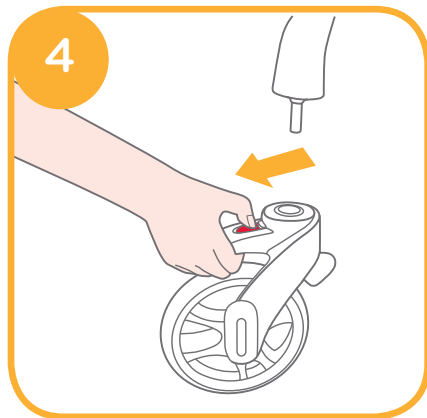
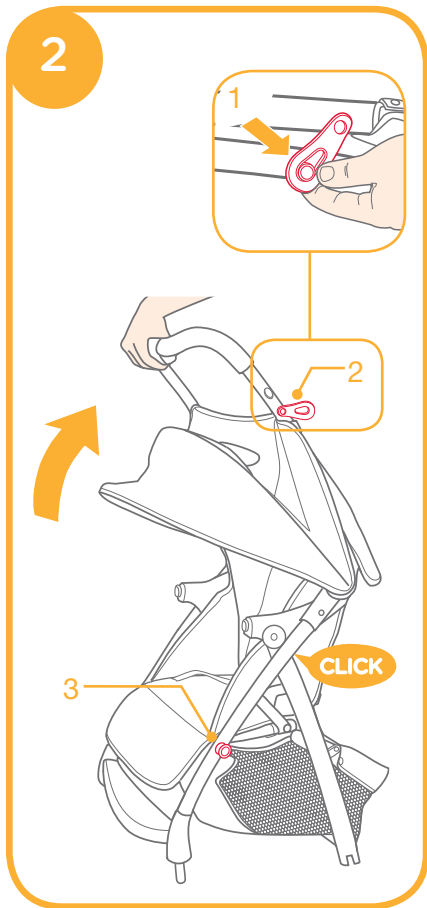
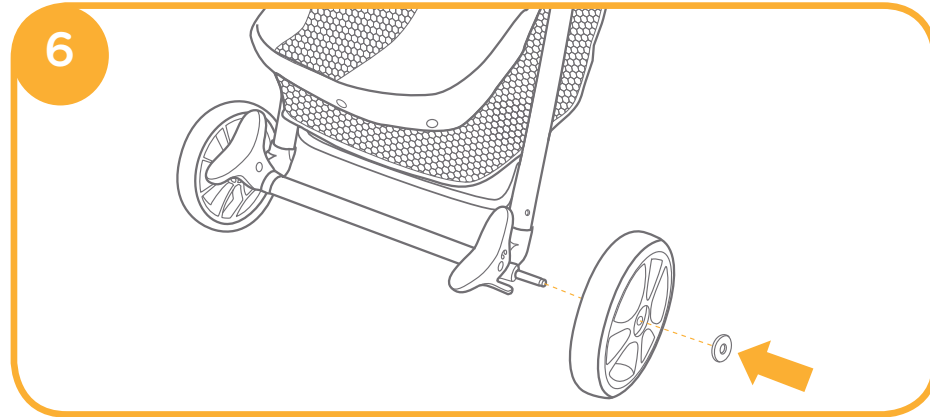
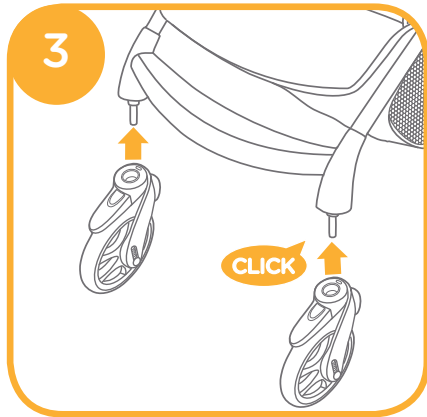
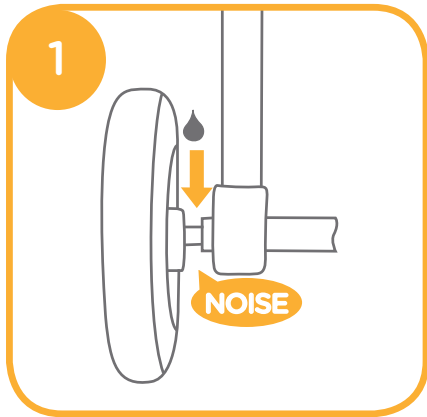
birth to 15kg/(birth - 36 months)

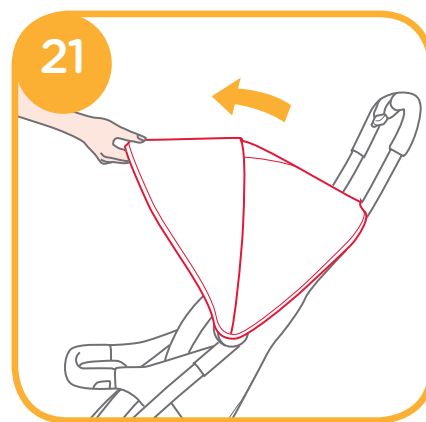
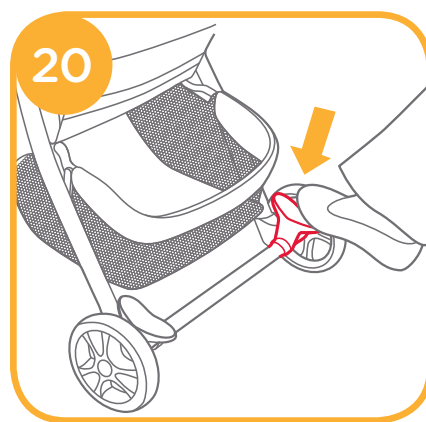
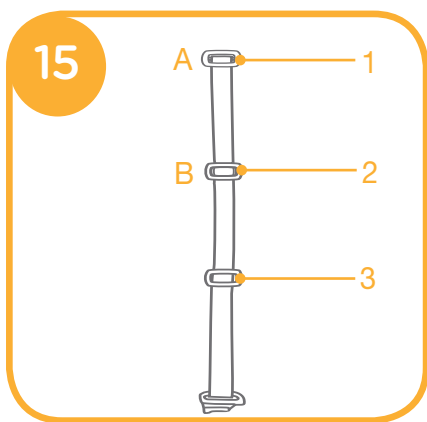
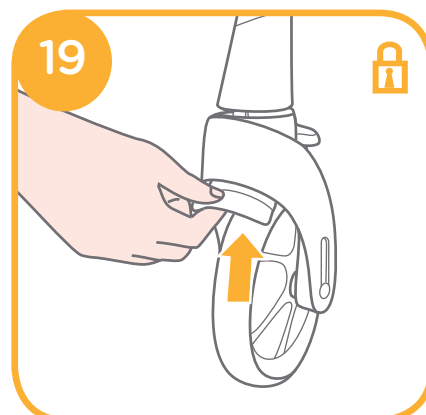
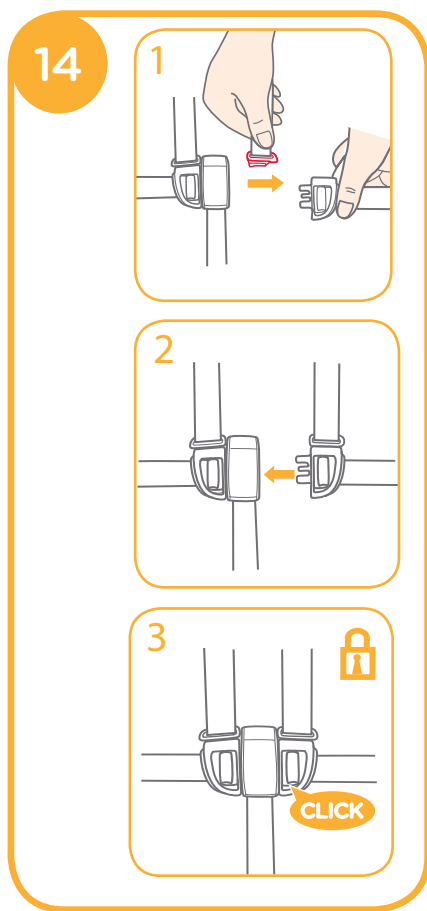
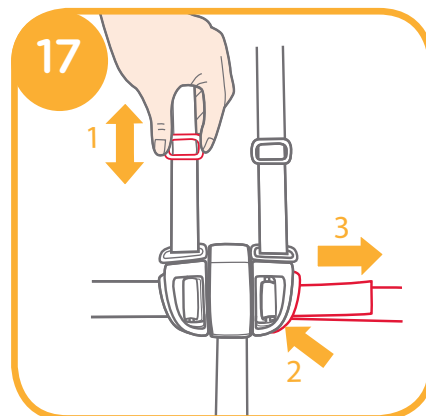
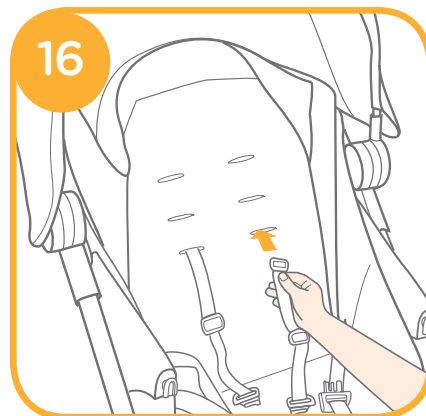
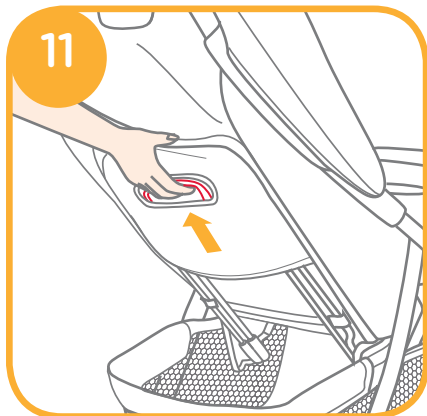
muze™

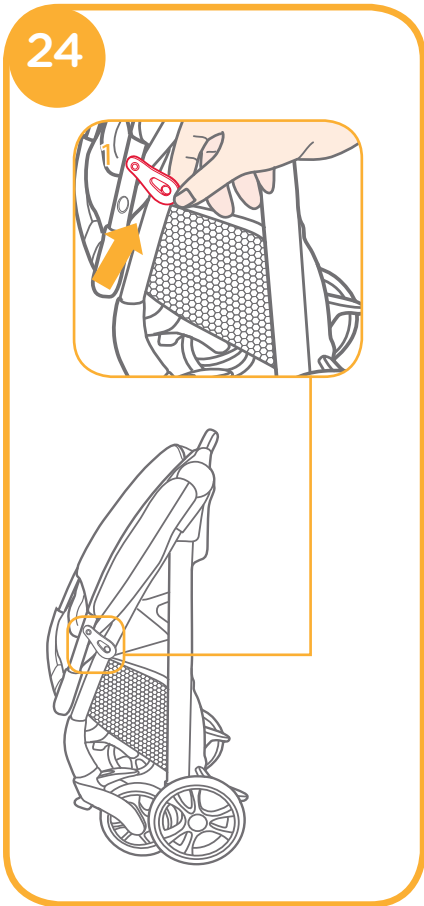
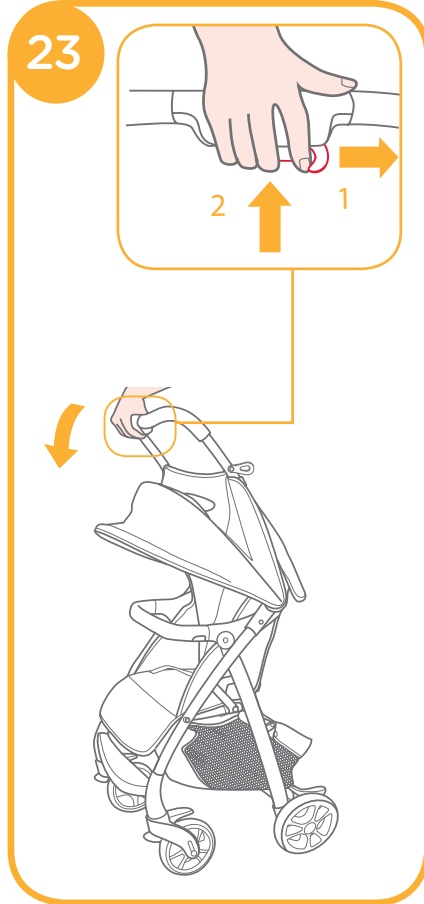
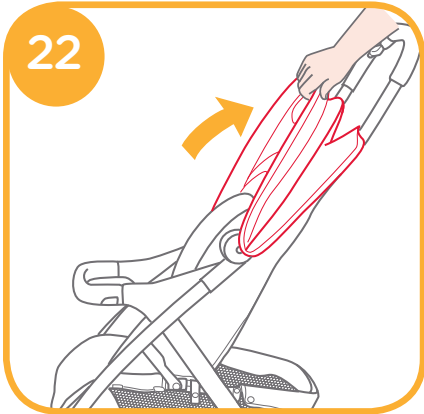
stroller

- GB Instruction Manual
- FR Manuel d'utilisateur
- DE Bedienungsanleitung
- ES Manual de instrucciones
- PT Manual de Instruções
- PL Instrukcja obsługi
- IT Manuale di istruzioni
- NL Handleiding
- RU Руководство по эксплуатации
- AR دليل التعليمات



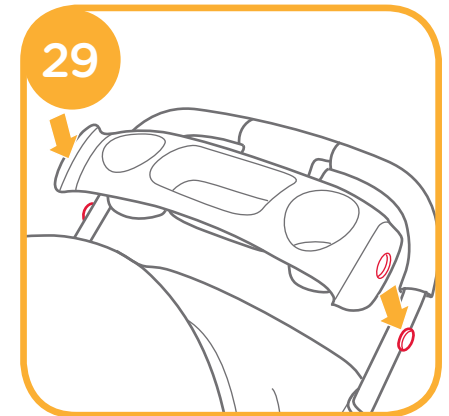
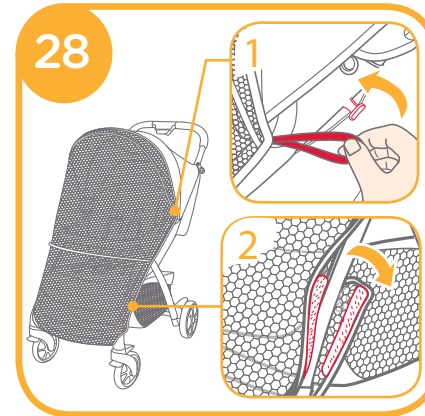
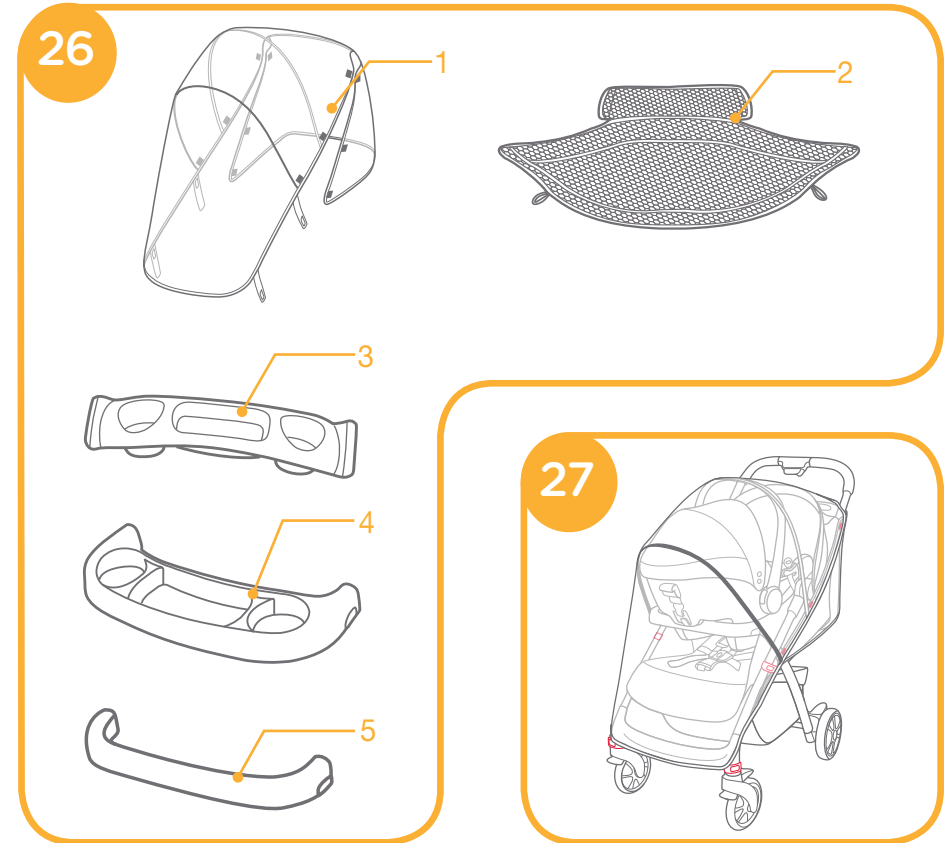


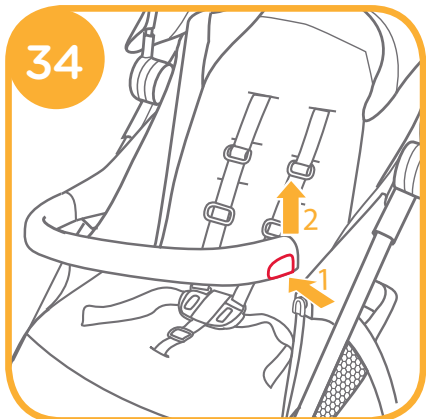
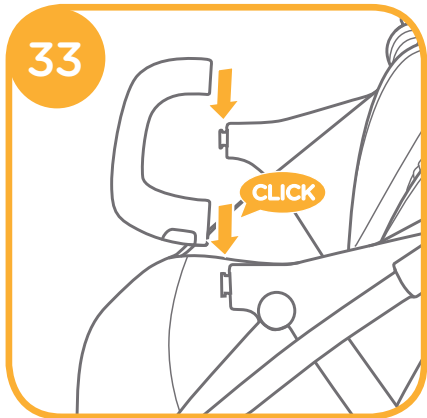
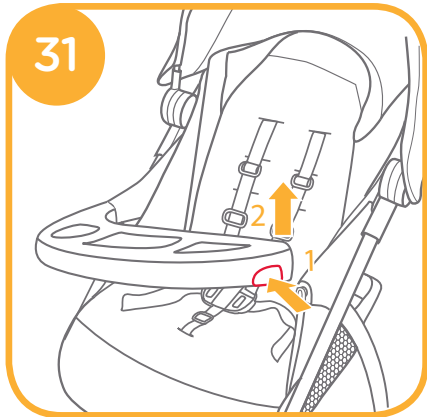
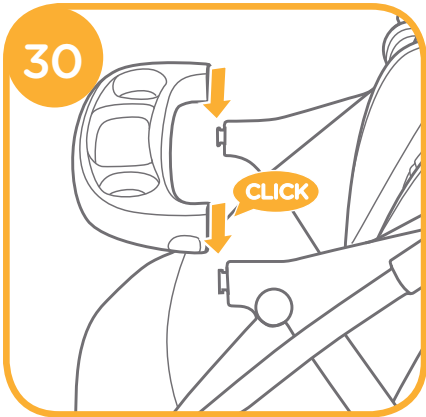




Accessories (May not be included in purchase)

Accessories may be sold separately or may not be available depending on region.





Note

Congratulations on becoming part of the Joie family! We are so excited to be part of your journey with your little one. While traveling with the Joie MUZE™, you are using a high quality, fully certified stroller, approved to European safety standards EN 1888-2012. This product is suitable for use with children weighing under 15kg. Please carefully read this manual and follow each step to ensure a comfortable ride and best protection for your child.

IMPORTANT - Keep these instructions for future reference.

Visit us at Joiebaby.com to download manuals and see more exciting Joie products.

Contents

Figures	1-7
Warning	11
Stroller Assembly	12
Open Stroller	12
Assemble Front Wheels	12
Assemble Rear Wheels	12
Stroller Operation	13
Adjust Recline	13
Use Buckle	13
Use Shoulder & Waist Harnesses	13
Adjust Calf Support	14
Use Front Swivel Lock	14
Use Brake	14
Use Hood	14
Fold Stroller	14
Use Carry Strap	14
Use Accessory	14
Care and Maintenance	15

Emergency

In case of emergency or accident, it is most important to have your child taken care of with first aid and medical treatment immediately.

Product Information

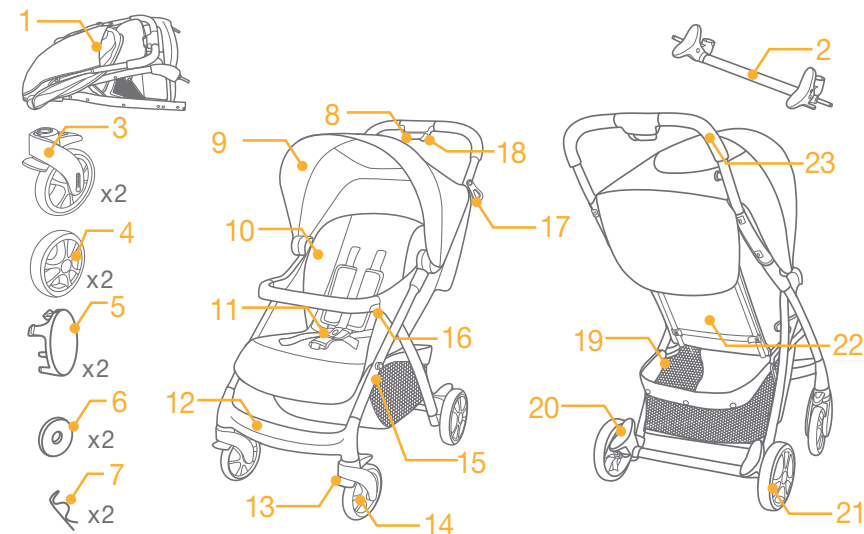
Read all the instructions in this manual before using this product. If you have any further questions, please consult the retailer. Some features may vary depending on model.

Product	Stroller
Suitable for	Child weighing under 15kg(birth - 36 months)
Materials	Plastics, metal, fabrics
Patent No.	Patents pending
Made in	China
Brand Name	Joie
Website	www.joiebaby.com
Manufacturer	Joie Children's Products (UK) Limited

Parts List

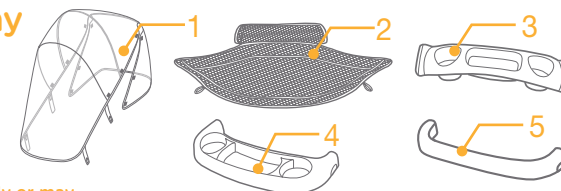
Make sure all parts are available before assembly. If any part is missing, please contact local distributor. No tools are required for assembly.

1 Stroller Frame	7 Pin (x2)	13 Swivel Lock	19 Storage Basket
2 Rear Axle Assembly	8 One-Hand-Fold Handle	14 Front Wheel	20 Brake Lever
3 Front Wheel (x2)	9 Hood	15 Storage Latch Mount	21 Rear Wheel
4 Rear Wheel (x2)	10 Seat Pad	16 Arm Release	22 Backrest
5 Cap (x2)	11 Buckle	17 Storage Latch	23 Handle
6 Washer (x2)	12 Footrest	18 Secondary Lock	



Accessories (May not be included)

- 1 Rain Cover
- 2 Mosquito Net
- 3 Parent Tray
- 4 Rotating Child's Tray
- 5 Armbar



Accessories may be sold separately or may not be available depending on region.

WARNING

- ! WARNING Always use the crotch combination with the waist belt. It is suggested that the shoulder harnesses be used as well.
- ! WARNING Ensure that all the locking devices are engaged before use.
- ! WARNING To avoid injury ensure that your child is kept away when unfolding and folding this product.
- ! WARNING Do not let your child play with this product.
- ! Adult assembly required.
- ! Use the stroller with a child weighing more than 15kg. It will cause damage to the stroller with an unfitted child.
- ! To prevent a hazardous unstable condition do not place more than 4.5kg in the storage basket.
- ! Never leave child unattended. Always keep child in view while in stroller.
- ! Use the stroller with only one child at a time. Never place purses shopping bags parcels or accessory items on the handle or hood.
- ! Overloading, folding incorrectly, or using component parts from other manufacturers may cause the stroller to be damaged broken or unsafe. Please read the instruction manual carefully.
- ! Please read all the instructions in the manual before using the product. Please save instruction manual for future use. Failure to follow these warnings and instructions may result in serious injury or death.
- ! Safety belts and restraint system must be used correctly.
- ! To avoid serious injury from falling or sliding out, always use seat belt.
- ! Make sure your child's body is clear from the moving parts when adjusting the stroller.
- ! Child may slip into leg openings and be strangled if the harness is not used.
- ! Never use stroller on stairs or escalators.
- ! Keep away from high temperature objects liquids and electronics.
- ! Do not place any item that may do harm to the baby and stroller in the parent tray.
- ! Never allow your child to stand on the stroller or sit in the stroller with head toward front of stroller.
- ! Never place the stroller on roads slopes or dangerous area.
- ! Do make sure all mechanisms are fixed before using the stroller.
- ! To avoid strangulation, do not place items with a string around your child's neck, suspend strings from this product, or attach strings to toys.
- ! To prevent tipping, do not put anything on the handle. Always lift the child in and out of the stroller.
- ! Do not lift stroller while child is in stroller.
- ! Do not use storage basket as a child carrier.

- ! To prevent tipping, never let child climb the stroller.
- ! To avoid finger entrapment, use care when folding and unfolding the stroller.
- ! Be sure the stroller is fully open or folded before allowing child near the stroller.
- ! To ensure your child's safety, please make sure all parts are assembled and fastened properly before using the stroller.
- ! Check that the infant child restraint attachment device is correctly engaged before use.
- ! To avoid strangulation, do make sure your child is clear from the hood.
- ! Always engage the brakes when parking the stroller.
- ! Discontinue using your stroller if it is damaged or broken.
- ! Stroller to be used only at walking speed. This product is not intended for use while jogging.
- ! To avoid suffocation, remove plastic bag and packaging materials before using this product. The plastic bag and packaging materials should then be kept away from babies and children.
- ! This product is not suitable for running or skating.
- ! The maximum recommended weight of the parent tray is 1.36kg/3lbs.
- ! Pushchair designed to be used from birth shall recommend the use of the most reclined position for new born babies.
- ! The parking device must be engaged when placing and removing children.
- ! For infant child restraints used in conjunction with a chassis, this vehicle does not replace a cot or a bed. Should your child need to sleep, then it should be placed in a suitable pram body, cot, or bed.

Stroller Assembly

Please read all the instructions in this manual before assembling and using this product.

Open Stroller

If the stroller is locked as ❷ - 1, please separate storage latch ❷ - 2 from storage mount ❷ - 3, and then lift the handle to open the stroller. A click sound means the stroller is open completely. ❷

- ! Check that the stroller is completely open before continuing.

Assemble Front Wheels

Assemble front wheels to front legs. Check that wheels are securely attached by pulling on wheel assemblies. ❸

The front wheels can be disassembled by pulling the release buttons backwards. ❹

Assemble Rear Wheels

Assemble the rear wheels by following these steps.

1. Remove and discard the two end caps on the rear axle before assembling the rear wheels. ❺ - 1

2. Assemble the rear axle assembly to rear legs **5**. Check that the rear axle assembly is securely attached by pulling on the rear axle assembly.
3. Place the rear wheel and washer on one side of the rear axle. **6**
4. To secure wheel and washer to axle, push the straight side of pin through the hole on the axle **7**.
The assembled pin is shown as **8**.
! The curve side on the pin must curve around the outside of the axle.
! Make sure the washer is between the pin and the wheel.
5. Line up the tabs on the cap with the holes on the wheel, snap the cap onto the wheel to cover the washer and pin. **9**

The completely assembled rear wheels are shown as **10**.

Stroller Operation

Adjust Recline

Recline Backrest

There are 4 angles for the backrest.

To recline the backrest, squeeze the recline handle on the back of the seat **11**, pull down on the backrest. **12**

To raise the backrest, push up.

! Make sure the recline is set properly for use.

Use Buckle

Release Buckle

Press the center button to release the buckle. **13**

Lock Buckle

Match the waist belt buckle with the shoulder buckle **14** - 1, and click into the center buckle. **14** - 2

A click sound means the buckle is locked completely. **14** - 3

! To avoid serious injury from falling or sliding out, always secure your child with harness.

! Make sure your child is snugly secured. The space between the child and the shoulder harness is about the thickness of one hand.

! Do not cross the shoulder belts. This will cause pressure on child's neck.

Use Shoulder & Waist Harnesses

! In order to protect your child from falling out, after your child is placed into the seat, check whether the shoulder and waist harnesses are at proper height and length.

15 - 1 Shoulder harness anchor A

15 - 2 Shoulder harness anchor B

15 - 3 Slide adjuster

For larger child, use shoulder harness anchor A and the highest shoulder slots. For smaller child, use shoulder harness anchor B and the lowest shoulder slots.

Use either shoulder harness anchor in the slots that are closest to child's shoulder height. **16**

Use slide adjuster to change the harness length. **17** - 1

Press the button **17** - 2, while pulling the waist harness to proper length **17** - 3.

Adjust Calf Support

The calf support has 2 positions.

To adjust the calf support, press the adjustment buttons underneath the calf support **18** - 1 and rotate the calf support downward or upward. **18** - 2

Use Front Swivel Lock

Pull up the front swivel locks to maintain the moving direction. **19**

Tip It is recommended to use swivel locks on uneven surfaces.

Use Brake

To lock wheels, step backwards on either of the brake levers as **20**, Step forwards on the brake lever to release wheel.

Tip The brake must be engaged when placing and removing children.

Tip Always apply brake when stroller is in stopped position.

Tip To ensure brake is fully engaged, gently rock the stroller backwards and forwards before releasing the handle.

Use Hood

To open the hood, pull hood towards front. **21**

To fold the hood, pull hood towards back. **22**

Fold Stroller

Push secondary lock **23** - 1 and squeeze one-hand fold handle **23** - 2. Push the stroller forward to fold. Lock the stroller by tucking storage latch onto the storage mount **24** - 1. The stroller is folded and locked completely. **24**

Use Carry Strap

Securely grab the carry strap for easy transportation. **25**

Use Accessory

26 - 1 Rain Cover

26 - 2 Mosquito Net

26 - 3 Parent Tray

26 - 4 Rotating Child's Tray

26 - 5 Armbar

Accessories may be sold separately or may not be available depending on region.

Use Rain Cover

To assemble the rain cover, place it over the stroller, and then attach the 10 pairs of hook and loop fasteners on the rain cover. **27**

! Before using the rain cover, please make sure the backrest has been adjusted to the lowest position and the infant child restraint has been fastened.

! After the rain cover is assembled, please reassemble the parent tray on the handle.

! When using the rain cover, please always check its ventilation.

! When not in use, please check that the rain cover has been cleaned and dried before folding.

- ! If the rain cover is on the stroller, always remove rain cover to prevent ripping and tearing.
- ! Do not place your child into the stroller assembled with rain cover during hot weather.
- ! When using your stroller at the beach, completely clean you stroller after use to remove sand and salt from mechanisms and wheel assemblies.

Use Mosquito Net

Cover the stroller with the mosquito net. Follow the steps below to secure the mosquito net.

1. Attach the elastic strap to the hook on the back of the plastic. **28** - 1
2. Wrap bottom edge of the footrest and then stick the Velcro®. **28** - 2
3. Repeat steps above to secure mosquito net to opposite side.

The assembled mosquito net is shown as **28**.

Use Parent Tray

To assemble the parent tray, attach the parent tray to the parent tray mounts on both sides of the handle. **29**

- ! Do not place any item that may do harm to the baby and stroller in the parent tray.
- ! The maximum recommended weight of the parent tray is 1.36kg/3lbs.

Use Rotating Child's Tray

Align the rotating child's tray end with matching component, and then push down to assemble. **30** **32**

The rotating child's tray can be pulled up on both left and right sides.

To open the rotating child's tray, press rotating child's tray release button **31** - 1, and then pull up the rotating child's tray. **31** - 2

Use Armbar

Align the armbar end with matching component, and then push down to assemble. **33** **35**

The armbar can be pulled up on both left and right sides.

To open the armbar, press armbar release button **34** - 1, and then pull up the armbar. **34** - 2

Tip Armbar can be open for easily placing and removing child.

Care and Maintenance

1. Removable seat pad may be washed in cold water and drip-dried. No bleach.
2. To clean stroller frame use only household soap and warm water. No bleach or detergent.
3. From time to time check your stroller for loose screws worn parts torn material or stitching. Replace or repair the parts as needed.
4. Excessive exposure to sun or heat could cause fading or warping of parts.
5. If stroller becomes wet open hood and allow to dry thoroughly before storing.
6. If wheels squeak use a light oil (e.g. Silicon Spray antirust oil or sewing machine oil). It is important to get the oil into the axle and wheel assembly. **1**
7. When using your stroller at the beach completely clean your stroller after use to remove sand and salt from mechanisms and wheel assemblies.

Félicitations pour être devenu partie de la famille Joie ! Nous sommes très heureux de participer au voyage avec votre enfant. Lorsque vous faites une promenade avec Joie MUZE™ vous utilisez une poussette pour les enfants de haute qualité, complètement attestée et approuvée aux standards européens de sécurité EN 1888-2012. Ce produit correspond à l'usage pour les enfants avec un poids jusqu'à 15 kilos. Lisez attentivement ce manuel et suivez chaque étape pour assurer une promenade confortable et la meilleure protection à votre enfant.

IMPORTANT - Gardez ces instructions pour pouvoir les consulter dans l'avenir. Visitez-nous sur joiebaby.com pour télécharger des manuels et pour visualiser plusieurs produits extraordinaires de Joie !

Table de matières

Illustrations	1-7
Mises en garde	19
Assemblage poussette	20
Ouverture de la poussette	20
Assembler les roues avant	21
Assembler les roues arrière	21
Utilisation de la poussette	21
Réglage de l'inclinaison	21
Utilisation de la boucle	21
Utilisation harnais pour les épaules et ceinture de retenue	21
Réglage support pour les jambes	21
Utilisation blocage pince frontal	22
Utilisation frein	22
Utilisation baldaquin	22
Pliage de la poussette	22
Utilisation bande support	23
Utilisation accessoires	23
Soins et entretien	24

Cas d'urgence

Au cas d'une émergence ou d'un accident, la chose la plus importante est le soin de votre enfant par lui offrir les premiers soins ou un traitement médical immédiat.

Informations sur le produit

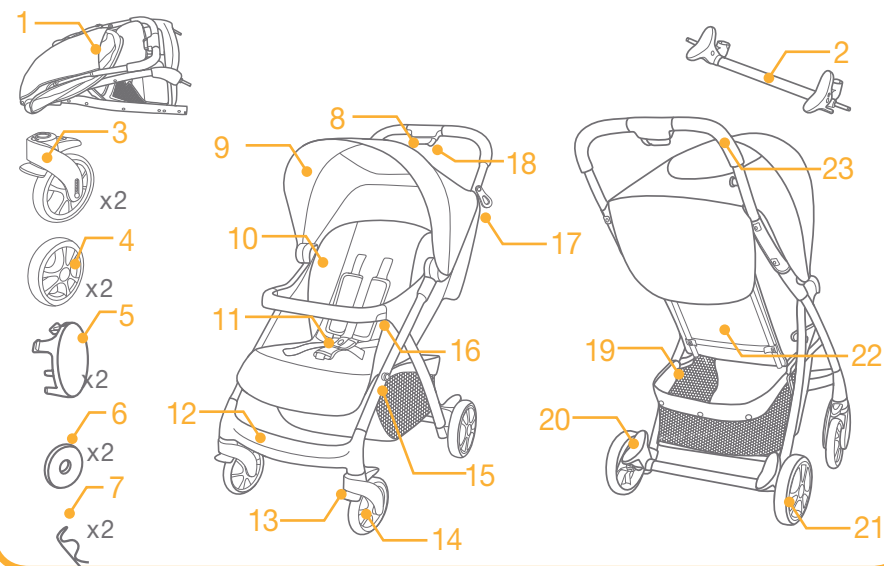
Lisez attentivement les instructions de ce manuel avant d'utiliser le produit. Si vous avez d'autres questions, consultez s'il vous plaît, le commerçant. De telles caractéristiques peuvent varier d'un produit à l'autre.

Produit	Poussette pour les enfants
Adéquat pour	Enfants au moins de 15 kilos (naissance - 36 mois)
Matériaux	Aluminium, matériaux plastique, tissus
No. Brevet	Brevet en cours d'agrément
Fabriqué en	Chine
Nom de la marque	Joie
Page Web	www.joiebaby.com
Fabricant	Joie Children's Products (UK)Limited

Liste des composants

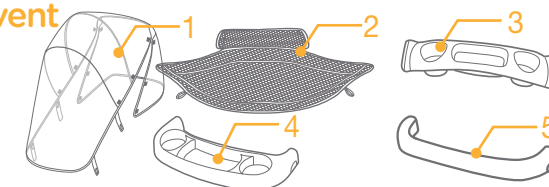
Assurez-vous que toutes les pièces sont disponibles avant l'assemblage. Si une pièce manque, contactez le distributeur local. Les outils ne sont requis pour l'assemblage.

1 Armature poussette	7 Cui (x2)	12 Repose-pieds	18 Loquet secondaire
2 Système essieu arrière	8 Poignée pliage à une seule main	13 Loquet de la pince	19 Porte-bagage
3 Roue avant (x2)	9 Baldaquin	14 Roue avant	20 Poignée frein
4 Roue arrière (x2)	10 Coussin pour le siège	15 Armature du support de rangement	21 Roue arrière
5 Capuchon(x2)	11 Boucle	16 Libération main	22 Dossier
6 Rondelle (x2)		17 Support rangement	23 Poignée



Accessoires (Peuvent ne pas être inclus lors de l'achat)

- 1 Housse pour la pluie
- 2 Filet pour les insectes
- 3 Plateau pour parents
- 4 Plateau tournant enfant
- 5 Support pour les bras



MISES EN GARDE

- ! MISE EN GARDE Utilisez toujours la combinaison de la courroie pour la taille avec celle entrejambes. On suggère d'utiliser les harnais pour les épaules aussi.
- ! MISE EN GARDE Assurez-vous que tous les loquets de blocage sont enclenchés avant l'utilisation.
- ! MISE EN GARDE fin d'éviter les blessures, assurez-vous que l'enfant est tenu loin de la poussette lorsque vous dépliez et pliez le produit.
- ! MISE EN GARDE Ne laissez pas l'enfant jouer avec le produit.
- ! L'assemblage doit être réalisé par un adulte.
- ! Utilisez la poussette pour un enfant au poids moins de 15 kilos. Si on utilise pour des enfants qui pèsent plus, des dommages peuvent apparaître en ce qui concerne la poussette.
- ! Pour prévenir une condition dangereuse, instable, ne chargez pas plus de 4,5 kilos dans le porte-bagages.
- ! Ne laissez pas l'enfant sans surveillance. Surveillez toujours l'enfant lorsqu'il est dans la poussette.
- ! Utilisez la poussette seulement pour promener un seul enfant et non pas plusieurs. Ne rangez jamais des sacs à main, des bourses pour les achats, des colis ou d'autres accessoires sur la poignée ou sur le baldaquin.
- ! Le supplément de poids, le pliage incorrect ou l'utilisation des composants d'autres fabricants peuvent entraîner des dommages de la poussette, peuvent le briser ou le rendre incertain. Veuillez lire le manuel d'utilisateur attentivement.
- ! Lisez toutes les instructions du manuel avant d'utiliser ce produit. Gardez le manuel d'utilisateur pour le consulter ultérieurement. Manquer de suivre ces mises en garde et ces instructions peut entraîner de sérieuses blessures ou un décès.
- ! Le système des ceintures de sécurité et de retenue doit être utilisé correctement.
- ! Pour éviter des blessures sérieuses à cause de la chute ou du glissement de la poussette, utilisez toujours le harnais.
- ! Assurez-vous que lorsque vous réglez la poussette le corps de votre enfant est à une distance des pièces mobiles.
- ! L'enfant peut glisser dans les ouvertures pour les jambes et peut s'étrangler si le harnais n'est pas utilisé.
- ! N'utilisez jamais la poussette sur des marches ou des escaliers roulants.
- ! Gardez le produit à une distance des objets ayant une température haute, des liquides ou des objets électroniques.
- ! Ne rangez pas d'articles qui peuvent blesser l'enfant ou endommager la poussette sur le plateau pour les parents.
- ! Ne permettez jamais à l'enfant de rester debout dans la poussette ou la tête pointue vers la partie avant de la poussette.
- ! Ne laissez jamais la poussette dans les rues, sur les pentes inclinées ou dans des environs dangereux.
- ! Assurez-vous que tous les mécanismes de la poussette sont enclen-

chés avant d'utiliser la poussette.

- ! Pour éviter l'étranglement, n'accrochez pas d'objets avec des ficelles autour du cou de votre enfant, suspendez les courroies de ce produit et attachez-les aux jouets.
- ! Pour prévenir le renversement, ne rangez rien sur la poignée. Levez toujours l'enfant de et dans la poussette.
- ! Ne levez pas la poussette lorsque l'enfant est dans le siège.
- ! N'asseyez pas un enfant dans le porte-bagage.
- ! Pour prévenir le renversement, ne permettez pas à l'enfant de monter sur la poussette.
- ! Pour éviter de coincer les doigts, dépliez et pliez attentivement la poussette.
- ! Assurez-vous que le produit est complètement ouvert ou plié avant de laisser l'enfant dans la proximité de la poussette.
- ! Pour la sécurité de l'enfant, vérifiez si tous les composants sont enclenchés proprement avant d'utiliser la poussette.
- ! Vérifiez si le loquet pour le porte-bébé est proprement attaché avant utilisation.
- ! Pour éviter l'étranglement, assurez-vous qu'il y a une distance considérable entre l'enfant et le baldaquin.
- ! Activez toujours les freins lorsque vous stationnez la poussette.
- ! Arrêtez l'usage de la poussette si elle devient endommagée ou brisée.
- ! La poussette sera utilisée seulement pour la vitesse de la marche. Ce produit n'est pas conçu pour usage pendant la course à pied.
- ! Pour éviter l'étouffement, enlevez la bourse en plastique et les matériaux pour l'emballage avant d'utiliser le produit. La bourse en plastique et les matériaux pour l'emballage doivent puis être tenus hors de la portée des bébés et des enfants.
- ! Ce produit n'est pas adéquat pour usage pendant une course à pied ou pendant une promenade avec les patines.
- ! Le poids maximum recommandé est de 1.36kg/3lbs.
- ! Pour la poussette conçue pour usage dès la naissance de l'enfant, on recommande asseoir les nouveau-nés dans la position la plus inclinée.
- ! Le dispositif de stationnement doit être activé pour asseoir ou lever l'enfant.
- ! Pour les porte-bébés utilisés en combinaison avec un support, ce véhicule ne remplace pas un lit pour les enfants. Au cas où votre enfant a besoin de repos, alors il faut l'asseoir dans une poussette, un petit lit ou un lit adéquat.

Assemblage de la poussette

Veuillez lire toutes les instructions de ce manuel avant d'assembler et utiliser ce produit.

Ouverture de la poussette

Au cas où la poussette est bloquée comme dans l'illustration ② - 1, séparez le support de rangement ② - 2, de son armature ② - 3, et puis levez la poignée pour ouvrir la poussette. Un clac signifie que la poussette est maintenant complètement ouverte. ②

! Assurez-vous que la poussette est complètement ouverte avant de continuer.

Assembler les roues avant

Assemblez les roues avant sur les supports avant. Vérifiez si les roues sont attachées solidement par entraînant les systèmes de roues. ③

Les roues avant peuvent être démontées en tirant en direction inverse du bouton de dégagement. ④

Assembler les roues arrière

Assemblez les roues arrière en respectant les étapes suivantes.

1. Démontez et enlevez les deux capuchons terminaux sur l'essieu arrière avant d'assembler les roues derrière. ⑤ - 1
2. Assemblez le système de l'essieu arrière aux supports arrière ⑤. Vérifiez si le système de l'essieu arrière est enclenché proprement par entraînant le système d'essieu arrière.
3. Placez la roue arrière et la rondelle sur un côté de l'essieu arrière. ⑥
4. Pour enclencher la roue et la rondelle sur l'essieu, pressez le côté droit du clou par l'orifice sur l'essieu ⑦. Le clou assemblé est comme dans l'illustration. ⑧
! La partie courbée du clou doit courber à l'extérieur de l'essieu.
! Assurez-vous que la rondelle est entre le clou et la roue.
5. Alignez les trous sur le clou avec les trous sur la roue, pressez le capuchon sur la roue pour couvrir la rondelle et le clou. ⑨

Les roues arrière complètement assemblées sont illustrées dans l'illustration. ⑩

Utiliser la poussette

Réglage inclinaison

Pour incliner le dossier

Il y a 4 angles pour le dossier

Pour incliner le dossier, serrez la poignée d'inclinaison derrière le siège ⑪, tirez le dossier en bas. ⑫ Pour lever le dossier, poussez-le en haut.

! Assurez-vous que l'inclinaison est adéquate avant l'utilisation.

Utiliser la boucle

Dégager la boucle

Pressez le bouton central pour dégager la boucle. ⑬

Enclenchement de la boucle

Ajustez la boucle de la ceinture de retenue avec celle pour les épaules ⑭ - 1, et pressez au milieu de la boucle ⑭ - 2. Un clac signifie que la boucle est complètement enclenchée. ⑭ - 3

! Pour éviter des blessures graves à cause de la chute ou du glissement de la poussette, attachez toujours l'enfant avec le harnais.

! Assurez-vous que l'enfant est bien attaché de manière confortable. L'espace entre l'enfant et la ceinture pour les épaules est d'environ une paume.

! Ne croisez pas les ceintures pour les épaules. Ceci entraîne de la pression sur le cou de l'enfant.

Utiliser le harnais pour les épaules et la ceinture pour la retenue

! Pour protéger l'enfant afin de ne pas tomber, après l'asseoir dans le siège, vérifiez si les harnais pour les épaules et la ceinture pour la retenue ont la hauteur et la longueur adéquates.

⑮ - 1 Ancre A du harnais pour les épaules

⑮ - 2 Ancre B du harnais pour les épaules

⑮ - 3 Dispositif pour le réglage du glissement

Pour un enfant plus grand, utilisez le dispositif A pour le réglage du harnais pour les épaules et les espaces les plus hauts pour les épaules. Pour un enfant plus petit, utilisez le dispositif B pour le réglage du harnais pour les épaules et les espaces les plus bas pour les épaules.

Utilisez toute ancre du harnais pour les épaules dans les espaces les plus près de la hauteur des épaules de l'enfant. ⑮

Utilisez le dispositif de réglage du glissement pour modifier la longueur du harnais. ⑰ - 1

Serrez le bouton ⑰ - 2, lorsque réglant le harnais pour une taille à une longueur adéquate ⑰ - 3.

Réglage du support pour les jambes

Le support pour les jambes a2 positions.

Afin de régler le support pour les jambes, pressez les boutons pour le réglage au-dessous de ceci ⑱ - 1 et tournez le support pour les jambes en haut ou en bas. ⑱ - 2 **Utiliser l'enclenchement de la pince avant**

Tirez les loquets de la pince avant en haut pour maintenir la direction de mouvement. ⑲

Conseil On recommande l'utilisation des loquets de la pince sur des surfaces irrégulières.

Utiliser le frein

Pour bloquer les roues, appuyez le pied sur les pédales de frein ⑳, Levez les pédales de frein pour libérer les roues.

Conseil Le frein doit être verrouillé lorsque vous asseyez ou sortez les enfants de la poussette.

Conseil Enclenchez toujours le frein lorsque la poussette est stationnant.

Conseil Pour vous assurer que le frein est complètement verrouillé, balancez doucement la poussette en avant et en arrière avant de dégager la poignée.

Utiliser le baldaquin

Pour ouvrir le baldaquin, tirez le baldaquin en avant. ㉑

Pour plier le baldaquin, pousser le baldaquin en arrière. ㉒

Plier la poussette

Appuyez le loquet secondaire ㉓ - 1 et serrez la poignée de pliage avec une main ㉓ - 2. Poussez la poussette avant pour la plier. Enclenchez la poussette par plisser le loquet de rangement sur le support de rangement ㉔ - 1. La poussette est pliée et enclenchée complètement. ㉔

Utiliser la bande de support

Attachez bien la bande de support pour une transportation facile. ㉕

Utiliser les accessoires

㉖ - 1 Housse pour la pluie

㉖ - 2 Filet pour les insectes

㉖ - 3 Plateau pour parents

㉖ - 4 Plateau tournant enfant

㉖ - 5 Support pour les bras

Les accessoires peuvent être vendus séparément ou peuvent ne pas être disponibles selon la région.

Utiliser la housse pour la pluie

Pour assembler la housse pour la pluie, rangez-la sur la poussette et puis attachez les 10 paires de bandes Velcro sur la housse pour la pluie. **27**

- ! Avant d'utiliser la housse pour la pluie, assurez-vous que le dossier a été réglé à la plus basse position et que le porte-bébé a été réglé.
- ! Après avoir attaché la housse pour la pluie, rattachez le plateau pour les parents sur la poignée.
- ! Quand vous utilisez la housse pour la pluie, toujours vérifiez sa ventilation.
- ! Lorsque vous ne l'utilisez pas, veuillez vérifier si elle a été nettoyée et séchée avant d'être pliée.
- ! Si la housse pour la pluie est sur la poussette, enlevez-la toujours pour prévenir les ruptures et les détériorations.
- ! N'asseyez jamais votre enfant dans la poussette avec la housse de pluie installée dans la saison chaude.
- ! Lorsque vous utilisez la poussette sur la plage, nettoyez-le complètement après pour enlever le sable et le sel des mécanismes et les systèmes de roues.

Utiliser le filet pour les insectes

Couvrez la poussette avec le filet pour les insectes. Respectez les étapes suivantes pour enclencher le filet pour les insectes.

1. Attachez la ceinture élastique à la pince du dos du matériel plastique. **28 - 1**
2. Enroulez sur le bord en bas du repose-pied et puis collez les velcros Velcro®. **28 - 2**
3. Répétez les pas au-dessus pour attacher le filet pour les insectes du côté opposé

Le filet pour les insectes complètement attaché doit être comme dans l'illustration. **28**

Utiliser le plateau pour les parents

Pour assembler le plateau pour les parents, attachez-le sur l'armature pour le plateau pour les parents des deux côtés de la poignée. **29**

- ! Ne rangez aucun article qui peut blesser l'enfant ou endommager la poussette dans toute manière sur le plateau pour les parents.
- ! Le poids maximum recommandé pour le plateau des parents est de 1.36kg/3lbs.

Utiliser le plateau tournant pour l'enfant

Le plateau tournant pour l'enfant peut être levé en haut du côté gauche mais aussi du côté droit. **30 32**

Pour ouvrir le plateau tournant pour l'enfant, pressez le bouton pour la dégager **31 - 1**, et puis tirez le plateau tournant pour l'enfant en haut. **31 - 2**

Utiliser le support pour les bras

Alignez le bout du support pour les bras avec le component adéquat et puis pressez le loquet. **33 35**

Le support pour les bras peut être tiré en haut du côté gauche et aussi du côté droit.

Pressez le bouton pour libérer le support pour les bras **34 - 1** et tirez le support pour les bras. **34 - 2**

Conseil Le support pour les bras peut être ouvert l'emplacement et l'enlèvement facile.

Soins et maintien

1. Le coussin pour le siège qui peut être enlevé peut être lavé dans l'eau froide et séché sans avoir des plis. Sans blanchisseur.
2. Pour nettoyer l'armature de la poussette, utilisez seulement du savon de ménage ou de l'eau chaude. Sans blanchisseur ou détergent.
3. De temps en temps vérifiez la poussette pour des vis desserrées, pièces usagées, tissu ou couture déchiré. Remplacez ou réparez les composants au besoin.
4. L'exposition excessive au soleil ou à la chaleur peut déterminer la décoloration ou la déformation des composants.
5. Au cas où la poussette est humide, ouvrez le baldaquin et laissez-le sécher complètement avant de le ranger.
6. Si les roues grincent, utilisez un huile léger (par exemple, pulvérisation avec silicium, huile cotre la rouille, ou huile pour la machine à coudre). Il est important de mettre l'huile dans le système de roues ou l'essieu. **1**
7. Lorsque vous utilisez la poussette sur la plage, nettoyez-le complètement après pour enlever le sable et le sel des mécanismes et les systèmes de roues.

DE Willkommen bei Joie™

Herzlichen Glückwunsch, dass Sie ein Teil der Joie Familie geworden sind! Wir freuen uns sehr, an die Reise mit ihrem Kind teilzunehmen. Während dem Spaziergang mit seinem Joie MUZE™ verwenden Sie ein hochwertiges, vollständig zertifiziertes und nach europäischen Sicherheitsnormen EN 1888-2012 genehmigtes Kinderwagen. Dieses Produkt dient zum Einsatz für Kinder mit einem Körpergewicht bis 15 kg. Lesen Sie dieses Handbuch sorgfältig durch und befolgen Sie jeden Schritt, um eine komfortable Fahrt und den besten Schutz für Ihr Kind zu gewährleisten.

WICHTIG - Bewahren Sie diese Anleitungen, um sie auch in der Zukunft durchzulesen.

Besuchen Sie uns auf joiebaby.com, um die Anleitungen zu downloaden und mehrere tolle Produkte von Joie zu sehen!

Inhalt

Bilder	1-7
Warnungshinweise	27
Zusammenbau des Kinderwagens	28
Öffnung des Kinderwagens	29
Zusammenbau Vorderräder	29
Zusammenbau Hinterräder	29
Bedienung des Kinderwagens	29
Einstellung der Neigung	30
Verwendung der Schnalle	30
Verwendung der Schulter und Taillengurte	30
Einstellung der Unterschenkellehne	30
Verwendung der Sperrung des Vorderhakens	30
Verwendung der Bremse	30
Verwendung der Bedeckung	31
Faltung des Kinderwagens	31
Verwendung des Stützbandes	31
Zubehöre verwenden	31
Pflege und Wartung	32

Notfälle

ACHTUNG! Im Notfall oder Unfall das Wichtigste ist die Betreuung ihres Kindes durch Erste Hilfe oder unverzügliche ärztliche Behandlung.

Produktinformationen

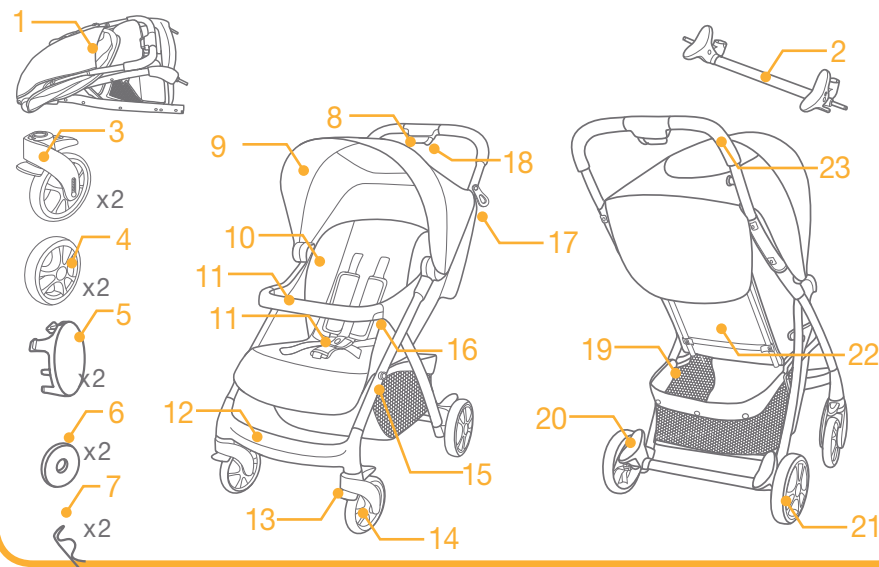
Lesen Sie alle Anweisungen in diesem Handbuch vor Gebrauch des Produkts. Wenn Sie andere Fragen haben, wenden Sie sich bitte an den Händler. Einige Merkmale können nach dem Model variieren.

Produkt	Kinderwagen
Geeignet für	Kinder mit einer Gewicht unter 15 kg (Geburt - 36 Monate)
Materialien	Aluminium, Kunststoff, Textilien
Patent Nr.	anhängige Patente
Hergestellt in	China
Markenname	Joie
Webseite	www.joiebaby.com
Hersteller	Joie Children's Products (UK) Limited

Liste der Bauteile

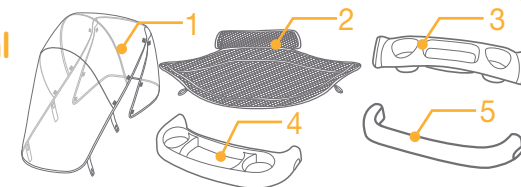
Vor Zusammenbau, achten sie darauf, dass alle Teile verfügbar sind. Wenn einen Teil fehlt, kontaktieren Sie den örtlichen Händler. Für den Zusammenbau sind keine Werkzeuge erforderlich.

1 Kinderwagenrahmen	8 Handgriff für	13 Hakensperrung	19 Lagerkorb
2 Hinterachssystem	Faltung mit	14 Vorderrad	20 Bremsfußhebel
3 Vorderrad (x 2)	einer Hand	15 Stützrahmen für	21 Hinterrad
4 Hinterrad (x 2)	9 Bedeckung	Lagerung	22 Lehne
5 Deckel (x 2)	10 Sitzkissen	16 Handbefreiung	23 Handgriff
6 Scheibe (x 2)	11 Schnalle	17 Lagerplatte	
7 Nagel (x 2)	12 Fußlehne	18 Nebensperrung	



Zubehör (im Ankauf eventuell nicht enthalten)

- 1 Parapioggia
- 2 Insektennetz
- 3 Elternplatte
- 4 Schwenkbare Platte für das Kind
- 5 Armlehne



WARNUNGSHINWEISE

- ! ACHTUNG Verwenden Sie immer der Taillengurt mit dem Beinengurt. Verwenden Sie auch die Schultergurte.
- ! ACHTUNG Achten Sie Vor der Verwendung darauf, dass alle Sperrvorrichtungen betätigt sind.
- ! ACHTUNG Um Verletzungen zu vermeiden, versichern Sie sich, dass das Kind weit ist, wenn das Produkt eröffnet und gefaltet wird.
- ! ACHTUNG Lassen Sie das Kind mit dem Produkt nicht spielen.
- ! Es muss von einem Erwachsenen verpackt werden.
- ! Verwenden Sie den Kinderwagen für ein Kind mit einer Gewicht höher als 15 kg. Bei Verwendung für Kinder mit einer Gewicht höher als 15 kg kann der Kinderwagen beschädigt werden.
- ! Um eine gefährliche, instabile Bedingung zu verhindern, verwenden Sie keine Gewicht von mehr als 4.5 kg in dem Ablagekorb.
- ! Lassen Sie das Kind unbeaufsichtigt nicht. Beobachten Sie das Kind, wenn er in dem Kinderwagen sich befindet.
- ! Verwenden Sie den Kinderwagen nur mit einem Kind. Setzen Sie niemals Taschen, Einkaufstaschen, Verpackungen oder Zubehöre auf dem Griff oder der Bedeckung
- ! Die Überladung, fehlerhafte Faltung oder Verwendung von Ersatzteilen anderer Hersteller kann Schäden am Kinderwagen verursachen, kann es zerstören oder unsicher machen. Lesen Sie die Bedienungsanleitungen sorgfältig durch.
- ! Lesen Sie alle Anweisungen in diesem Handbuch vor Gebrauch dieses Produkts. Bewahren Sie die Bedienungsanleitung für künftigen Durchsehen. Die Nichtbeachtung dieser Warnungen oder Anleitungen kann zu schwerer Verletzung oder zum Tod führen.
- ! Die Sicherheitsgurte und das Befestigungssystem müssen sachgemäß verwendet werden.
- ! Um schwere Verletzungen wegen Verrutschen oder Herabfallen aus dem Kinderwagen zu vermeiden, verwenden Sie immer den Gurt.
- ! Bei Einstellung des Kinderwagens müssen Sie sich versichern, dass Ihr Kind weit von den beweglichen Teilen ist.
- ! Bei Nichtverwendung des Gurtes kann das Kind in den Fußöffnungen rutschen oder er kann sich erdrosseln.
- ! Verwenden Sie niemals den Kinderwagen auf Treppen oder Fahrtreppen.
- ! Halten Sie das Gerät fern von Hochtemperatur-Gegenstände, Flüssigkeiten oder elektronischen Geräten.
- ! Bringen Sie keinen Gegenstand in der Elternplatte, der das Kind verletzen kann und den Kinderwagen beschädigen.
- ! Lassen Sie Ihr Kind im Kinderwagen zu stehen oder mit dem Kopf in Richtung der Vorderseite des Wagens zu sitzen.
- ! Stellen Sie den Kinderwagen auf gefährlichen Straßen, Gefällen oder Bereichen nicht.
- ! Achten Sie vor Verwendung des Kinderwagens darauf, dass alle Mechanismen befestigt wurden.

- ! Vermeiden Sie Strangulierung, stellen Sie keine Gegenstände mit Gürtel rund um den Hals des Kindes nicht, hängen Sie Drahten bei diesem Produkt oder den Spielzeuge auf.
- ! Stellen Sie nichts auf dem Hebel, um Ausrutschen zu verhindern. Heben Sie das Kind in den und aus dem Kinderwagen.
- ! Heben Sie nicht den Kinderwagen mit dem Kind hinein aus.
- ! Verwenden Sie den Lagerkorb für Transport des Kindes nicht.
- ! Um die Kippung zu verhindern, erlauben Sie dem Kind nicht, auf dem Kinderwagen zu steigen.
- ! Um nicht Ihre Finger einzuklemmen, entpacken und falten Sie den Kinderwagen sorgfältig.
- ! Stellen Sie sicher, dass der Kinderwagen vollständig geöffnet und gefaltet ist, vor das Kind in seiner Nähe zu lassen.
- ! Für die Sicherheit des Kindes, stellen Sie sich vor Verwendung des Wagens sicher, dass alle Zusammenbau-Teile richtig befestigt sind.
- ! Prüfen Sie, ob die Verbindungsvorrichtung zu dem Fahrsitz vor der Benutzung sachgemäß verkoppelt ist.
- ! Vermeiden Sie Strangulierung, stellen Sie sich sicher, dass es einen beträchtlichen Abstand zwischen dem Kind und der Bedeckung gibt.
- ! Betätigen Sie immer die Bremse bei Parken des Kinderwagens.
- ! Verwenden Sie den Kinderwagen nicht, wenn es defekt oder beschädigt ist.
- ! Die Verwendungsgeschwindigkeit des Kinderwagens ist die Ganggeschwindigkeit. Dieses Produkt wird nicht während Laufen nicht verwendet.
- ! Um Erstickungsgefahr zu vermeiden, entfernen Sie Plastiktüten und Verpackungsmaterial vor Verwendung des Produktes. Plastiktüten und Verpackungsmaterial müssen weit von den Babys und Kinder bewahrt werden.
- ! Dieses Produkt wird während Laufen oder Rollschuhlaufen nicht verwendet.
- ! Die maximale empfohlene Gewicht für die Platte ist 1.36kg/ 3lbs.
- ! Für den Kinderwagen, der für die Benutzung von Geburt des Kindes geplant wurde, wird die Auflegung der Neugeborenen in einer möglichst geneigten Position empfohlen.
- ! Die Parkvorrichtung muss zur Legung oder Ausziehen der Kinder betätigt werden.
- ! Für die Fahrzeugsitze mit Sitzträger wird in dem Fahrzeug ein Kinderbett oder Bett nicht ersetzen. Wenn Ihr Kind schlafen muss, dann sollte das Kind in einem Kinderwagen, Kinderbett oder Bett angemessen gestellt werden.

Zusammenbau des Kinderwagens

Bitte lesen Sie alle Hinweise aus diesem Buch vor Zusammenbau und Verwendung dieses Produktes,

Öffnung des Kinderwagens

Wenn der Kinderwagen wie im Bild  - 1, verriegelt ist, trennen Sie die Lagerplatte  - 2 von dem Rahmen

2 - 3, und danach heben sie den Griff ab, um den Kinderwagen zu öffnen. Ein Klirren zeigt, dass der Kinderwagen vollständig gefaltet wurde. 2

! Vor Weitergehen, sichern Sie sich, dass der Kinderwagen vollständig geöffnet ist.

Zusammenbau Vorderräder

Bauen Sie die Vorderräder zu den vorderen Halten zusammen. Prüfen Sie, ob die Räder richtig verbunden sind, indem Sie die Rad-Systeme einziehen. 3

Die Vorderräder können durch rückgekehrtes Drücken der Befestigungstasten zergliedert werden. 4

Zusammenbau Hinterräder

Folgen Sie die folgenden Schritten, um die Hinterräder zusammenzubauen.

1. Entfernen und beseitigen Sie die zwei Deckel auf der Hinterachse vor Zusammenbau der Hinterräder. 5 - 1
2. Bauen Sie das System der Hinterachse 5. auf den hinteren Halter zusammen. Prüfen Sie, ob das Hinterachse-System richtig gestellt wurde, indem Sie von dem System der Hinterachsen ziehen.
3. Bringen Sie das Hinterrad und die Scheibe auf einer Seite der Hinterachse an. 6
4. Um das Rad und die Scheibe auf der Achse zu befestigen, schieben Sie die rechte Seite des Nagels durch den Loch der Achse. 7
Der zusammengefügte Nagel sieht wie im Bild 8 aus.
! Die gebogene Seite des Nagels muss außen der Achse sein.
! Stellen Sie sich sicher, dass die Scheibe zwischen dem Nagel und dem Rad sich befindet.
5. Richten Sie die Schraubenlöcher mit den Löchern auf dem Rad aus, kapseln Sie den Deckel über dem Rad um die Scheibe und den Nagel zu decken. 9

Die vollständig gebauten Hinterräder werden in Bild 10 dargestellt.

Verwendung des Kinderwagens

Einstellung der Neigung

Neigung der Lehne

Es geben 4 Winkel für die Lehne.

Um die L 11, ehne zu neigen, legen sie den Neigungsgriff vom Hinter des Sitzes zusammen, ziehen Sie die Lehne sich wieder hin. 12

Um die Lehne abzuheben, drücken Sie es nach oben.

! Stellen Sie sicher, dass die Neigung richtig ist für den Einsatz konfiguriert ist.

Verwendung der Schnalle

Lostrennung der Schnalle

Drücken Sie die Zentraltaste, um die Schnalle zu befreien. 13

Sperrung der Schnalle

Passen Sie die Schnalle von der Taille mit den Schulternschnalle und fügen Sie sie in der Mittenschnalle an

14 - 1 14 - 2 Ein Klirren zeigt die vollständige Sperrung der Schnalle. 14 - 3

! Um schwere Verletzung oder Ausrutschen zu vermeiden, schützen Sie ihr Kind immer mit Gurten.

! Geben Sie Ihrem Kind Sicherheit in einer bequemen Weise. Der Raum zwischen dem Kind und dem Schultergurt beträgt etwa eine Handbreit.

! Überqueren Sie die Schultergurte nicht. Das wird Druck auf dem Hals des Kindes verursachen.

Verwendung der Schulter und Taillengurte

! Um das Kind bei Herabfallen zu schützen, prüfen Sie, nach dem Sie das Kind auf dem Sitz gelegt hat, ob die Schultergurte zu einen passenden Höhe und Länge sind.

- 15 - 1 Anker A des Schulter gurtes
- 15 - 2 Anker B des Schulter gurtes
- 15 - 3 Einstellungs/Schiebevorrichtung

Für ein großes Kind verwenden Sie Anker A des Schultergurtes und die höchsten Schulterbereiche. Für ein kleines Kind verwenden Sie Anker B des Schultergurtes und die niedrigsten Schulterbereiche.

Verwenden Sie jede Anker des Schultergurtes, die nächstgelegen von dem Schulter des Kindes sind. 16

Verwenden sie die Gleitvorrichtung für Schieben, um die Länge des Gurtes zu ändern. 17 - 1

Drücken Sie die Taste während Sie den Taillengurt zu einer anpassenden Länge einstellen 17 - 2 17 - 3

Einstellung der Unterschenkellehne

Die Unterschenkellehne hat 2 Positionen.

Um die Unterschenkellehne anzupassn, drücken Sie die Regelungstasten unter ihm 18 - 1 und drehen Sie die Unterschenkellehne nach unter oder nach oben. 18 - 2

Verwendung der Vorderhakensperrung

Ziehen Sie die Befestigungsvorrichtungen des Vorderhakens, um die Bewegungsrichtung zu erhalten. 19

Hinweis Es wird die Verwendung der Hakenverriegelungen auf unebenen Flächen empfohlen.

Verwendung der Bremse

Drücken Sie den Bremsfußhebel um die Räder abzusperrern, wie im Bild 20, Heben Sie den Bremshebel ab, um die Räder zu befreien.

Hinweis Die Bremse muss zum Zeitpunkt des Legen oder Heben des Kindes betätigt sein.

Hinweis Betätigen Sie die Bremse, wenn der Kinderwagen unbeweglich ist.

Hinweis Um die vollständige Betätigung der Bremse zu versichern, schwenken Sie den Kinderwagen leicht nach vorne und nach hinten vor Befreiung des Griffes.

Verwendung der Bedeckung

Um die Bedeckung zu öffnen, ziehen Sie es nach vorne. 21

Um die Bedeckung zusammenzufalten, ziehen Sie es nach hinten. 22

Faltung des Kinderwagens

Drücken Sie den Nebenverschluss 23 - 1 und ziehen Sie den Faltungsgriff mit einer Hand 23 - 2. Für Faltung, schieben Sie den Kinderwagen nach vorne. Sperren Sie den Kinderwagen durch Fälteln des Lagerverschlusses auf der Lagerplatte 24 - 1. Der Kinderwagen ist gefaltet und vollständig gesperrt. 24

Verwendung des Stützbandes

Befestigen Sie den Stutzband für eine leichte Beförderung. 25

Verwendung der Zubehöre

- 26 - 1 Regenmantel 26 - 2 Insektennetz 26 - 3 Elternplatte
26 - 4 Schwenkbare Platte für das KindZubehör kann 26 - 5 Armlehne

separat verkauft werden oder nicht verfügbar ist, hängt von der Region.

Verwendung des Regenmantels

Zur Befestigung des Regenschutzes legen Sie ihn über den Kinderwagen und bringen dann 10 Hakenpaare und Schlaufenbefestiger am Regenschutz an. 27

! Vor dem Regenmantel zu verwenden, stellen Sie sich sicher, dass es in der niedrigsten Position geregelt wurde und den Kindersitz befestigt wurde.

! Nach dem Zusammenbau des Regenmantels, bauen Sie die Elternplatte wieder.

! Prüfen Sie die Belüftung bei Verwendung des Regenmantels.

! Wenn Sie den Regenmantel nicht verwenden, prüfen Sie ob den Regenmantel vor der Faltung geputzt oder getrocknet wurde.

! Wenn den Regenmantel auf dem Kinderwagen steht, beseitigen Sie es, um Rissen oder Beschädigungen zu verhindern.

! Setzen Sie das Kind in dem Kinderwagen mit dem zusammengebauten Regenmantel nicht, wenn es warmes Wetter gibt.

! Bei Verwendung des Kinderwagens am Strand, putzen Sie es nach Gebrauch, um vollständig Sand und Salz von den Mechanismen und Rädern zu entfernen.

Verwendung des Insektennetzes

Decken Sie den Kinderwagen mit dem Insektennetz ab. Folgen Sie die folgenden Schritten, um den Insektennetz zu sichern.

1. Legen Sie den elastischen Gurt zu dem Haken hinter des Kunststoffes. 28 - 1
2. Wickeln Sie es rund um die untere Seite der Fußlehne und danach kleben Sie die Velcro® Klette. 28 - 2
3. Wiederholen Sie die oben genannten Schritten, um den Insektennetz auf der anderen Seite zu sichern.

Der Insektennetz sieht wie im Bild 28 aus.

Verwendung der Elternplatte

Um die Elternplatte zusammenzubauen, legen Sie es auf den Rahmen bds des Griffs bei. 29

! Bringen Sie keinen Gegenstand in der Elternplatte, der das Kind verletzen kann und den Kinderwagen beschädigen.

! Die maximale empfohlene Gewicht für die Platte ist 1.36kg/ 3lbs.

Verwendung der schwenkbaren Platte für das Kind

Die schwenkbare Platte für das Kind kann nach oben, aber auch nach rechts abgehoben werden. 30 32

Um die schwenkbare des Kindes zu öffnen, drücken Sie deren Befreiungstaste und 31 - 1, danach ziehen sie die Platte nach oben. 31 - 2

Verwendung der Armlehne

Richten Sie das Ende der Armlehne mit entsprechenden Komponente und dann drücken Sie den Verschluss.

33 35

Die Armlehne kann hochgezogen, sowie links und rechts gezogen werden.

34 - 1 34 - 2. Drücken Sie die Entriegelungstaste der Armlehne und ziehen Sie die Armlehne.

Hinweis Die Armlehne kann für einfache Positionierung und leichte Entfernung geöffnet werden.

Pflege und Wartung

1. Das abnehmbare Sitzkissen kann mit Kaltwasser gewaschen werden und ohne Falten getrocknet. Keine Bleichung.
2. Um den Rahmen des Kinderwagens zu reinigen, verwenden Sie nur Seifen und Warmwasser. Verwenden Sie keine Bleichungs - oder Waschmittel.
3. Prüfen Sie den Kinderwagen ab und zu, damit es keine lose Schrauben, Verschleißteile, beschädigte Materialien oder Nähte geben. Ersetzen oder reparieren Sie solche Teile.
4. Eine übermäßige Sonneneinstrahlung oder Hitzebestrahlung kann zu Verfärbungen oder Verformungen der Teile führen.
5. Wenn der Kinderwagen naß wird, öffnen Sie die Bedeckung und erlauben ihm vollständig vor der Lagerung zu trocknen.
6. Wenn die Räder kreischen, verwenden Sie ein leichtes Öl (z.B. Einsprühung von Silizium, rostbeständiges Öl oder Öl für die Nähmaschine). Es ist wichtig, Öl in dem Räder oder Achsensystem gelegt zu werden. 1
7. Bei Verwendung des Kinderwagens am Strand, putzen Sie es nach Gebrauch, um vollständig Sand und Salz von den Mechanismen und Rädern zu entfernen.

¡Felicidades por formar parte de la familia Joie! Estamos encantados de formar parte del viaje con su pequeño. Cuando utiliza Joie MUZE™, hace uso de una silla de paseo de alta calidad, completamente certificada, aprobada por estándares europeos de seguridad en 1888-2012. Este producto es adecuado para niños con un peso menor a 15 kg (aproximadamente 0-36 meses). Por favor, lea detenidamente este manual de instrucciones y siga cada paso para garantizar el uso adecuado y la mayor protección para su hijo.

¡¡IMPORTANTE!! CONSERVELO PARA FUTURAS CONSULTAS

Contenido

Imágenes	1-7
Advertencias	35
Montaje de la silla de paseo	37
Abrir la silla de paseo	37
Montaje de las ruedas delanteras	37
Montaje de las ruedas traseras	37
Funcionamiento de la silla de paseo	37
Regulación del reclinado del respaldo	37
Uso del cinturón	37
Uso de los arneses para hombros y cuerpo	38
Regulación del reposapiés	38
Uso del bloqueo de las ruedas delanteras	38
Uso del freno	38
Uso de la capota	38
Pliegue de la silla de paseo	38
Uso de las correas para transporte	39
Uso de los accesorios	39
Cuidado y mantenimiento	40

Urgencia

En caso de emergencia o accidente, es fundamental buscar de inmediato atención de primeros auxilios y tratamiento médico para su hijo.

Información del producto

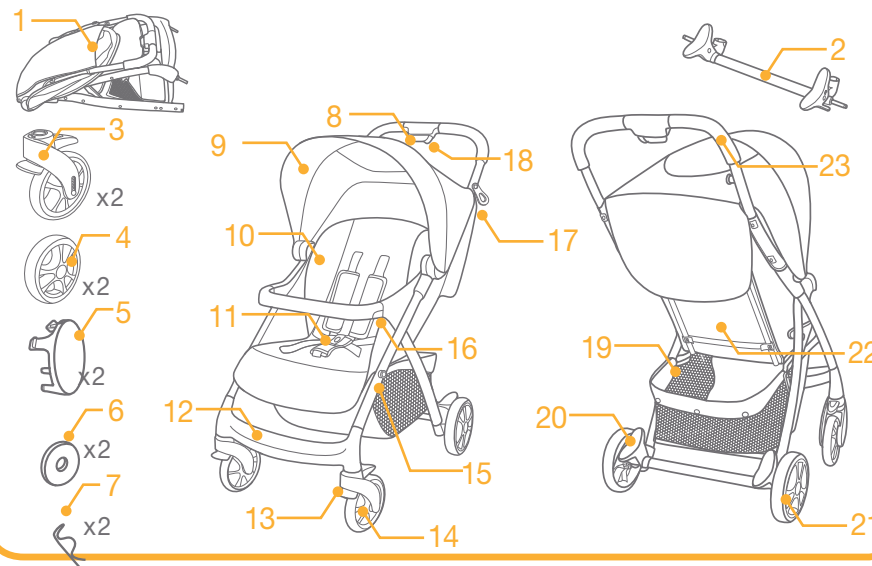
Lea todas las instrucciones de este manual antes de utilizar el producto. Si tiene alguna otra duda, consulte directamente con el vendedor del mismo. Algunos componentes pueden variar según el modelo.

Producto	Silla de paseo
Adecuado para	Niños con un peso menor a 15 kg (desde el nacimiento hasta 36 meses)
Materiales	Plástico, metal, material textil
Número	Patente pendiente
Fabricado en	China
Nombre de la marca	Joie™
Página web	www.joiebaby.com
Productor	Joie Children's Products (UK) Limited

Lista componentes

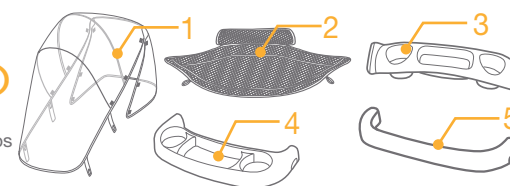
Antes de montar la silla de paseo, asegúrese de que tiene todos los componentes disponibles. Si falta alguno, contacte con el vendedor. No necesita herramientas para el montaje.

1 Chasis	plegar la silla con una sola mano	14 Rueda delantera	19 Cesta para almacenamiento
2 Eje posterior	9 Capota	15 Botón de seguridad de cierre	20 Palanca freno
3 Rueda delantera (x2)	10 Protector lateral	16 Cierre barra apoyabrazos	21 Rueda trasera
4 Rueda trasera (x2)	11 Arnés	17 Seguro cierre silla	22 Dispositivo de reclinado
5 Tapa (x2)	12 Reposapiés	18 Botón secundario para plegar la silla	23 Manillar
6 Arandela (x2)	13 Bloqueo de rueda delantera		
7 Clavija (x2)			
8 Botón principal para			



Accesorios (es posible que no se incluyan con la compra)

1 Plástico de lluvia	4 Bandeja niño
2 Mosquitero	5 Barra apoyabrazos
3 Bandeja padres	



Advertencias

- ! ATENCIÓN Utilice siempre la combinación de la correa de la entrepierna con la de la cintura. También se deben utilizar los arneses de hombro.
- ! ATENCIÓN Asegúrese de que todos los dispositivos de bloqueo están instalados antes de usarla.
- ! ATENCIÓN Para evitar lesiones asegúrese de que el niño no está cerca durante el plegado y desplegado de la silla.
- ! ATENCIÓN no permita que su hijo juegue con este producto, ESTE PRODUCTO NO ES UN JUGUETE.
- ! El producto debe ser montado solo por adultos.
- ! Usar la silla de paseo con un niño que pese más de 15 kg puede causar daños a la silla.
- ! Para prevenir situaciones de inestabilidad, no ponga más de 4,5 kg en la cesta de almacenamiento.
- ! NUNCA deje al niño sin vigilancia cuando esté en la silla de paseo.
- ! Utilice la silla de paseo para un niño. No ponga bolsos, bolsas de compra, paquetes o accesorios en el manillar o en la capota.
- ! Sobrecargar, plegar incorrectamente o utilizar componentes de otros fabricantes puede causar el deterioro de la silla.
- ! Antes de utilizar el producto, lea todas las instrucciones de este manual. Guarde el manual de instrucciones para ser utilizado posteriormente. El incumplimiento de estas advertencias e instrucciones puede llevar a lesiones graves o mortales.
- ! Cinturones de seguridad y sistemas de retención infantil deben ser usados correctamente.
- ! Los arneses de sujeción deben ser usados correctamente.
- ! Utilice siempre el arnés de sujeción para prevenir daños graves que pueden resultar tras las caídas o resbalones.
- ! Cuando ajuste la silla de paseo, asegúrese de que las partes móviles no estén cerca del cuerpo del niño.
- ! Si no se usa correctamente el arnés, los niños pueden resbalar por las aberturas para las piernas y asfixiarse
- ! Nunca utilice la silla en escaleras o escaleras mecánicas.
- ! Mantenga una distancia adecuada frente a objetos calientes, líquidos y electrónicos.
- ! En la bandeja para padres no ponga ningún objeto que pueda provocar daños al niño o deteriorar la silla de paseo.
- ! No permita que el niño esté de pie o con la cabeza en la parte frontal de la silla.
- ! No deje la silla en carreteras, pendientes o zonas peligrosas.
- ! Antes de utilizar la silla, asegúrese de que todos los mecanismos están

en posición de bloqueo.

- ! Para evitar estrangulamientos, no ponga alrededor del cuello del niño cordones, cuerdas colgando de la silla o ate cordones a los juguetes.
- ! Para prevenir caídas, no cuelgue nada del manillar.
- ! No levante la silla de paseo mientras el niño esté dentro.
- ! No utilice la cesta de almacenamiento para transportar al niño.
- ! Para prevenir caídas, no deje nunca a los niños ir de pie en la silla.
- ! Para evitar que algún dedo quede atrapado, pliegue y despliegue cuidadosamente la silla.
- ! Asegúrese de que esta silla ha sido abierta o plegada completamente antes de permitir la presencia de niños cerca.
- ! Antes de utilizar la silla, para garantizar la seguridad del niño, asegúrese de que todas las partes han sido montadas y fijadas adecuadamente.
- ! Frene siempre la silla cuando no la utilice.
- ! No utilice la silla de paseo si está deteriorada o tiene algún defecto.
- ! Esta silla solo debe usarse para caminar. Este producto no está destinado a ser utilizado para correr.
- ! Antes de utilizar este producto, para evitar la asfixia, retire las bolsas de plástico y los materiales de embalaje.
- ! Este producto no está destinado para ser utilizado mientras se corre o se patina.
- ! El peso máximo recomendado para la bandeja de los padres es de 1,36 kg / 3lbs.
- ! Las sillas de paseo que están diseñadas para ser usadas desde el nacimiento deben ser utilizadas en la posición más reclinada para los recién nacidos.
- ! Para sillas de auto utilizadas junto con el chasis del producto: este vehículo no reemplaza una cuna o una cama. Si su hijo necesita dormir, debe ser debidamente colocado en una cama, capazo o cuna.
- ! Active los frenos del producto cuando lo detenga y cuando saque al niño de la silla.

Montaje de la silla de paseo

Lea todas las instrucciones de este manual antes de montar y utilizar este producto.

Abrir la silla de paseo

Si el producto está bloqueado como en la imagen 2 - 1, retire el seguro de cierre de la silla 2 - 2 del botón de seguridad de cierre 2 - 3, y después levante la palanca para abrir la silla. La silla estará completamente abierta cuando escuche un clic. 2

! Antes de continuar, verifique la apertura completa de la silla.

Montaje de las ruedas delanteras

Ponga las ruedas delanteras. Verifique que las ruedas están puestas de una forma segura tirando de ellas. 3

Las ruedas frontales pueden quitarse presionando los botones de desbloqueo. 4

Montaje de las ruedas traseras

Ponga las ruedas traseras siguiendo estos pasos:

1. Antes de instalar las ruedas traseras, retire las dos tapas del eje posterior. 5 - 1
2. Coloque el eje posterior en las patas de la parte de atrás 5. Verifique su correcta instalación tirando de él.
3. Ponga la rueda y la arandela de atrás en un extremo del eje posterior. 6
4. Para poner la rueda y la arandela en el eje, presione la parte lisa de la clavija en el orificio del eje 7. La clavija montada se presenta como en la imagen 8.
! La parte curva de la clavija debe ajustarse al exterior del eje.
! Asegúrese de que la arandela está entre la clavija y la rueda.
5. Alinee las lengüetas de la tapa con los orificios de las ruedas, encaje la tapa de la rueda para cubrir la arandela y la clavija. 9

Las ruedas traseras montadas completamente se muestran en la 10.

Funcionamiento de la silla de paseo

Ajuste del reclinado

Hay 4 posiciones de reclinado del respaldo.

Para reclinarse el respaldo, presione el asa de reclinado de la parte posterior del asiento 11, y tire del respaldo hacia abajo. 12 Para elevar el respaldo, empuje hacia arriba.

! Asegúrese de que el reclinado es el adecuado.

Uso del cinturón

Desabrochar el cinturón

Presione el botón central para desabrochar el cinturón. 13

Bloqueo del cinturón

Acople las correas horizontales del arnés para el cuerpo a las correas del arnés para el hombro 14 - 1, e introdúzcalas en el cinturón central hasta que escuche un clic. 14 - 2

El cinturón queda completamente bloqueado cuando se oye un clic. 14 - 3

! Utilice siempre los arneses para prevenir daños graves que puedan resultar como consecuencia de las caídas y resbalones.

! Asegúrese de que el niño está en una posición cómoda. El espacio entre el niño y los arneses para hombro debe ser aproximadamente igual al grosor del canto de una mano.

! No cruce las correas del arnés para los hombros. Esto puede causar presión en el cuello del niño.

Uso del arnés para hombros y cuerpo

! Para proteger al niño de caídas, después de colocarlo en la silla, verifique que los arneses para hombros y cuerpo están situados a la altura y longitud adecuada.

15 - 1 Ancla A para el arnés de hombro

15 - 2 Ancla B para el arnés de hombro

15 - 3 Dispositivo de regulación

Para los niños grandes, utilice el ancla A para el arnés de hombro y los espacios superiores para los hombros.

Para los niños pequeños, utilice el ancla B para el arnés de hombro y los espacios inferiores para los hombros.

Utilice el ancla para los arneses de hombro en los espacios adecuados a la altura de los hombros del niño. 16

Utilice el dispositivo de regulación para modificar la longitud de los arneses. 17 - 1

Presione el botón 17 - 2, mientras tira el arnés para cuerpo para alcanzar la longitud adecuada 17 - 3.

Regulación del reposapiés

El reposapiés tiene dos posiciones.

Para regular el reposapiés, presione los botones de regulación ubicados debajo del soporte 18 - 1 y gírelos de arriba abajo. 18 - 2

Uso del bloqueo de las ruedas delanteras

Levante el bloqueo de la dirección frontal para mantener la dirección de movimiento. 19

CONSEJO Se recomienda el uso del bloqueo de dirección en las superficies con desniveles.

Uso del freno

Para bloquear las ruedas, presione hacia atrás las palancas del freno como en la 20, PresionePresione hacia atrás la palanca del freno para liberar las ruedas.

CONSEJO Los frenos tienen que estar activados cuando coloque y quite al niño del producto.

CONSEJO Cuando la silla de paseo no se use, bloquee el freno.

CONSEJO Para asegurarse de que el freno está bien puesto, empuje suavemente hacia delante y hacia atrás la silla antes de soltar el manillar.

Uso de la capota

Para abrir la capota, empuje hacia delante. 21

Para plegar la capota, empújela hacia atrás. 22

Plegado de la silla de paseo

Presione el botón secundario para plegar la silla 23 - 1 y apriete el botón principal del manillar para plegar la silla con una sola mano 23 - 2. Para el plegado, empuje la silla hacia delante. Bloquee la silla con el seguro de cierre encajándolo en el botón de seguridad de cierre 24 - 1. La silla de paseo está completamente plegada y bloqueada. 24

Uso de la correa de transporte

Agarre firmemente la correa de transporte para llevar más cómodamente la silla de paseo. **25**

Uso de los accesorios

- 26** - 1 Plástico de lluvia
- 26** - 2 Mosquitero
- 26** - 3 Bandeja para los padres
- 26** - 4 Bandeja para el niño
- 26** - 5 Barra apoyabrazos

Los accesorios pueden ser vendidos por separado o pueden no estar disponibles dependiendo de la región.

Uso del plástico de lluvia

Para armar el cobertor de lluvia, colóquelo sobre el coche, y luego ajuste los 10 pares de ganchos y ajuste el protector **27**

- ! Antes de usar el plástico de lluvia, asegúrese que el respaldo ha sido ajustado a la posición más reclinada posible y que la silla de automóvil está bien sujeta en la silla de paseo.
- ! Después de ajustar el plástico de lluvia, ponga la bandeja para los padres en el manillar.
- ! Verifique siempre la ventilación cuando use el plástico de lluvia
- ! Limpie y seque el plástico de lluvia antes de guardarlo.
- ! Si el plástico de lluvia está encima de la silla, retírelo para prevenir rupturas y daños.
- ! Si hace calor, no siente al niño en la silla con el plástico de lluvia.
- ! Cuando use la silla de paseo en la playa, después debe limpiar la silla para remover la arena y la sal de los mecanismos y de las ruedas.

Uso del mosquitero

Cubra la silla con el mosquitero. Siga los siguientes pasos para fijar el mosquitero.

1. Ponga la banda elástica en el gancho que está detrás del plástico. **28** - 1
2. Envuelva la parte inferior del reposapiés y después pegue el Velcro®. **28** - 2
3. Repita los mismos pasos para fijar el mosquitero en la otra parte.

El mosquitero montado se presenta como en **28**

Montaje de la bandeja para padres

Para montar la bandeja de los padres, colóquela sobre los soportes de ambos extremos del manillar. **29**

- ! No ponga objetos en la bandeja de los padres que puedan dañar al niño o deteriorar la silla.
- ! El peso máximo recomendado en la bandeja para padres es de 1,36kg/3lbs.

Use la bandeja para niños

Alinee el extremo de la bandeja para niños con la lengüeta de unión, después presione para encajarlo. **30** **32**

La bandeja para niños puede ser retirada por ambos lados.

Para abrir la bandeja giratoria para niños, pulse el botón de liberación de la bandeja **31** - 1, después empuje hacia arriba la bandeja. **31** - 2

Uso de la barra apoyabrazos

Alinee el final del apoyabrazos con la componente apropiada y después empuje para encajarlo. **33** **35**

El apoyabrazos puede levantarse tanto desde la derecha como desde la izquierda. Pulse el botón de liberación del apoyabrazos **34** - 1 y tire del apoyabrazos **34** - 2.

CONSEJO El apoyabrazos se abre para facilitar la colocación y retirada del niño.

Cuidado y mantenimiento

1. El tejido para la silla se puede retirar, lavar con agua fría y secar. No se puede utilizar lejía.
2. Para limpiar el chasis de la silla, utilice solo jabón para uso doméstico y agua caliente. Sin lejía o detergentes.
3. Periódicamente, revise la silla de paseo para comprobar el desgaste de los componentes, tornillos desatornillados, materiales rotos o deteriorados. Si es necesario, sustituya o repare los componentes.
4. La exposición excesiva al sol o calor puede llevar al deterioro de los componentes.
5. Si se moja, retire la funda y seque la silla completamente antes de guardarla.
6. Si las ruedas hacen ruido, utilice aceite lubricante (como por ejemplo, WD-40, aceite anti-corrosión para máquinas de coser). Es importante que el aceite llegue a todas las partes de la rueda-eje. **1**
7. Si se usa la silla de paseo en la playa, es importante limpiarla bien para eliminar la arena y sal de los mecanismos y de las ruedas.

Parabéns por se tornar parte da família Joie! Estamos tão animado para fazer parte da sua jornada com seu pequeno. Ao viajar com o Mirus™ Joie, você está usando uma alta qualidade, carrinho de bebê totalmente certificadas, aprovadas para normas de segurança europeias EN 1888-2012. Este produto é adequado para uso em crianças com peso inferior a 15 kg (aproximadamente 0-36 meses). Por favor, leia atentamente este manual e seguir cada passo para garantir uma viagem confortável e melhor proteção para o seu filho.

! IMPORTANTE: CONSERVE-O PARA CONSULTAS FUTURAS - LEIA ATENTAMENTE

Visite-nos em joiebaby.com baixar manuais e ver os produtos Joie mais emocionante!

Índice

Figures	1-7
Avisos	43
Montagem do carrinho de bebê	45
Abrindo o carrinho	45
Montagem das rodas dianteiras	45
Montagem das rodas traseiras	45
Operação do carrinho	45
Ajuste o ângulo do descanso traseiro	45
Utilizando a fivela	45
Utilizando o cinto para os ombros e cintura	46
Ajuste do suporte para perna	46
Utilizando a trava giratória frontal	46
Utilizando o freio	46
Utilizando a capa	46
Dobrando o carrinho	46
Utilizando a alça de transporte	47
Utilização dos Acessórios	47
Cuidados e manutenção	48

Emergência

Em caso da emergência ou de acidente, é mais importante cuidar imediatamente de sua criança com primeiros socorros e tratamento médico.

Informações do Produto

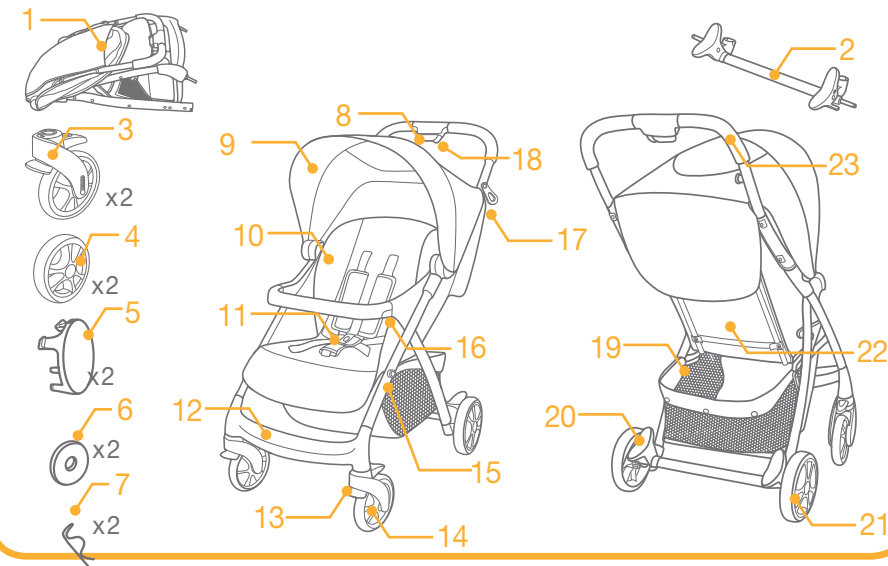
Leia todas as instruções neste manual antes de utilizar este produto. Em caso de dúvidas, consulte o varejista. Algumas características podem variar dependendo do modelo.

Product	Carrinho de Bebê
Apropriado para	Crianças pesando até 15kg (0 - 36 meses)
Materiais	plásticos, metal, tecidos
No. da patente.	patente pendente
Fabricado em	China
Marca	Joie™ by Infanti
Web site	www.joiebaby.com
Fabricante	Joie Children's Products (UK) Limited

Lista de peças

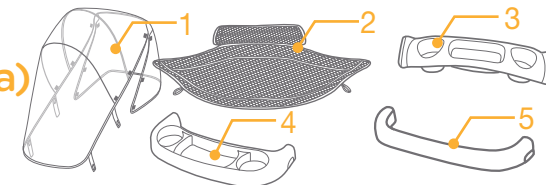
Certifique-se de que todas as peças estão disponíveis antes da montagem. Se qualquer parte faltar, contate, por favor, o distribuidor local. Nenhuma ferramenta é requerida para a montagem.

1 Corpo do carrinho	9 Capa	15 Montagem da Trava de	19 Cesta de Armazenamento
2 Conjunto de Eixo Traseiro	10 Almafada para Assento	16 Descanço de Braços	20 Alavanca de Freio
3 Roda Dianteira (x2)	11 Fivela	17 Trava de Armazenamento	21 Roda Traseira
4 Roda Traseira (x2)	12 Descanço para os pés	18 Trava Secundária	22 ajustador do Descanso Traseiro
5 Cobertura(x2)	13 Trava Giratória		23 Alça
6 Arruela(x2)	14 Roda Dianteira		
7 Pino(x2)			
8 Alça para uma mão			



Acessórios (Podem não estar inclusos na compra)

- 1 Capa de chuva
- 2 Mosquiteiro
- 3 Bandeja
- 4 Apoio de Braço
- 5 Descanso de Braço



AVISOS

- ! AVISO Sempre utilize a combinação da virilha com o cinto. Sugere-se que as alças para os ombros também sejam utilizadas.
- ! AVISO assegure-se de que todos os dispositivos de trava estejam acoplados antes de usar.
- ! AVISO Para evitar o dano, certifique-se que a abertura ou ao dobrar deste produto, a criança esteja mantida a distancia.
- ! AVISO Não permita sua criança brincar com este produto.
- ! Montagem por adulto requerida.
- ! Utilizar o carrinho com uma criança que pesa mais do que 15kg causará os danos ao mesmo.
- ! Para impedir uma condição perigosa não coloque mais do que 4.5kg na cesta do armazenamento.
- ! Nunca deixe a criança desacompanhada. Mantenha sempre a criança a vista quando no carrinho.
- ! Utilize o carrinho com a somente uma criança de cada vez. Nunca coloque bolsas sacolas de compras pacotes ou acessórios na alça ou na capa.
- ! Sobrecarga, Dobradura incorreta, ou utilização de componentes de outros fabricantes pode causar danos, quebra ou insegurança ao carrinho. Leia, por favor, o manual de instrução cuidadosamente.
- ! Leia, por favor, todas as instruções no manual antes de usar o produto. Por favor, guarde o manual de instrução para o uso futuro. A falha em seguir estes avisos e instruções pode resultar em ferimento sério ou morte.
- ! Cintos de segurança e sistema de retenção devem ser utilizados corretamente.
- ! Para evitar ferimento sério por queda ou deslizamento, sempre utilize o cinto de segurança.
- ! Certifique-se de que o corpo da sua criança está desobstruído das peças moveis ao ajustar o carrinho.
- ! A criança pode deslizar nas aberturas para os pés e ser estrangulada.
- ! Nunca utilize o carrinho em escadas ou em escadas rolantes.
- ! Mantenha longe de objetos em alta temperatura líquidos e eletrônicos.
- ! Não coloque nenhum artigo que possa causar o dano ao bebê e ao carrinho na bandeja.
- ! Nunca permita que sua criança permaneça no carrinho ou sente-se no carrinho com a cabeça para a parte dianteira do carrinho.
- ! Nunca coloque o carrinho em estradas, inclinações ou áreas de risco.
- ! Certifique-se de que todos os mecanismos estão fixos antes de usar o carrinho.
- ! Para evitar estrangulamento, não coloque artigos com uma corda em

torno da garganta da sua criança, suspenda cordas deste produto, ou coloque cordas em brinquedos.

- ! Para evitar tombos, não coloque qualquer coisa sobre a alça.
- ! Não levante o carrinho quando a criança estiver no mesmo.
- ! Não utilize a cesta do armazenamento como um portador da criança.
- ! Para evitar tombos, nunca permita à criança escalar o carrinho.
- ! Para evitar danos aos seus dedos, dobre e desdobre o carrinho com cuidado.
- ! Tenha certeza de que o carrinho esta inteiramente aberto ou dobrado antes de permitir à criança estar perto do carrinho.
- ! Para assegurar a segurança da sua criança, certifique-se, por favor, que todas as peças estão montadas e presas corretamente antes de utilizar o carrinho.
- ! Para evitar estrangulamento, certifique-se de que sua criança está desobstruída da capa.
- ! Sempre acione os freios ao estacionar o carrinho.
- ! Pare de usar seu carrinho se estiver danificado ou quebrado.
- ! Carrinho de bebê para ser utilizado somente na velocidade de caminhada. Este produto não é pretendido para o uso enquanto correndo.
- ! Para evitar sufocamento, remova o saco plástico e os materiais de empacotamento antes de usar este produto. O saco plástico e os materiais empacotamento devem então ser mantidos longe dos bebês e das crianças.
- ! Este produto não é apropriado para corrida ou patinação.
- ! Nunca se utilize en posiciones reclinable a menos que el fabricante proporcione las instrucciones específicas para su uso en esa posición.
- ! Nunca deixe qualquer artigo no carrinho, eles pode causar instabilidade.
- ! O peso máximo recomendado da bandeja é de 1.36kg/3lbs
- ! O carrinho foi projetado ser usado à partir do nascimento, recomenda-se o uso da posição a mais reclinada para bebês recém-nascidos.
- ! Para os assentos de carro usados conjuntamente com um chassi, este carrinho não substitui um berço ou uma cama. Se sua criança necessitar dormir, ela deve ser colocada em um carrinho, berço, ou cama apropriados.

Montagem do Carrinho

Leia, por favor, todas as instruções neste manual antes de montar e de usar este produto.

Abrindo o carrinho

se o carrinho de criança estiver travado como 2 - 1, por favor, separe a trava de armazenamento 2 - 2 da montagem do armazenamento 2 - 3, e levantar então a alça para abrir o carrinho. Um som do clique significa que o carrinho está aberto completamente. 2

! Verifique que o carrinho está completamente aberto antes de continuar.

Montagem das rodas dianteiras

Monte as rodas dianteiras nas pernas dianteiras. Certifique-se de que as rodas estão unidas firmemente puxando nos conjuntos de rodas. 3

As rodas dianteiras podem ser desmontadas puxando as alavancas de liberação traseiras. 4

Montagem das rodas traseiras

Monte as rodas traseiras seguindo estas etapas.

1. Remova e descarte os dois tampões de extremidade no eixo traseiro antes de montar as rodas traseiras. 5 - 1
2. Monte o conjunto do eixo traseiro às pernas traseiras 5. Certifique-se de que o conjunto do eixo traseiro esteja unido firmemente puxando no conjunto do eixo traseiro.
3. Coloque a roda e a arruela traseiras em um lado do eixo traseiro. 6
4. Para fixar a roda e a arruela ao eixo, empurre o lado reto do pino através do furo no eixo 7. O pino montado é mostrado como 8.
 - ! O lado curvado do pino deve curvar-se em torno da parte externa do eixo.
 - ! Certifique-se que a arruela está entre o pino e a roda.
5. Alinhe as abas no tampão com os furos na roda, encaixe o tampão na roda para cobrir a arruela e o pino. 9

As rodas traseiras completamente montadas são mostradas como 10.

Operação do carrinho

Ajuste de recline

Recline do encosto

Há 4 posições para o encosto.

Para reclinar o encosto do carrinho, pressione a alça de recline sobre a parte de trás do assento 11, puxe o encosto para baixo e coloque-o na posição desejada. 12 Para levantar o encosto, empurre-o para cima.

! Verifique se o recline está configurado corretamente para o uso.

Utilizando a fivela

Libere a fivela

Pressione o botão central para liberar a fivela. 13

Trave a fivela

Encaixe a fivela do cinto para cintura com a fivela dos cintos para os ombros 14 - 1, e clique na fivela central.

14 - 2 Um som do clique significa que a fivela está travada completamente. 14 - 3

! Para evitar ferimento sério por queda ou deslizamento, fixe sempre sua criança com o cinto.

! Certificam-se que sua criança está fixa confortavelmente. O espaço entre a criança e o cinto dos ombros é aproximadamente da espessura de uma mão.

! Não cruze os cintos dos ombros. Isto causará pressão na garganta da criança.

Utilizando cintos para os ombros e cintura

! A fim proteger sua criança de queda, depois que sua criança é colocada no assento, verifique se os cintos para os ombros e cintura estão na altura e no comprimento apropriados.

15 - 1 Esteio do cinto para os ombros A

15 - 2 Shoulder harness anchor B

15 - 3 Ajustador correção

Para crianças maiores, utilize o esteio A do cinto para os ombros e os entalhes para os ombros mais elevados.

Para crianças menores, utilize o esteio A do cinto para os ombros e os entalhes para os ombros mais baixos.

Utilize um ou outro esteio do cinto para os ombros nos entalhes que estiverem o mais próximo à altura dos ombros da criança. 16

Use o ajustador correção para alterar o comprimento do cinto. 17 - 1

Pressione o botão 17 - 2, enquanto pux o cinto da cintura para o comprimento apropriado 17 - 3.

Ajuste o descanso para as pernas

O descanso para as pernas possui 2 posições.

para ajustar o descanso para as pernas, pressione os botões abaixo do descanso para as pernas 18 - 1 e gire o descanso para as pernas para baixo ou para cima. 18 - 2

Utilizando a Trava Giratória Frontal

Puxe para cima a Trava Giratória Frontal para manter o sentido do movimento. 19

DICA Recomenda-se utilizar a Trava Giratória Frontal em superfícies desiguais.

Utilizando o Freio

Para travar as rodas, pise para trás em qualquer uma das alavancas de freio como 20, Pise para frente nas alavancas de freio para liberar as rodas.

DICA O freio deve ser acionado ao colocar e ao remover crianças.

DICA Sempre ative o freio quando o carrinho estiver parado.

DICA Para assegurar-se de que as rodas estejam com o freio acionado, tente empurrar levemente o carrinho para frente e para trás antes de liberar a alça.

Utilizando a capa

Para abrir a capa, puxe a capa para a frente. 21

Para dobrar a capa, puxe para cima os esticadores em ambos os lados e empurre a capa para trás. 22

Dobrando o Carrinho

Empurre a trava secundária 23 - 1 e aperte a alça de dobrar 23 - 2. Empurre o carrinho para a frente para dobrar Trave o carrinho colocando a trava de armazenamento na montagem de armazenamento 24 - 1. O carrinho está dobrado e travado completamente. 24

Utilizando a Cinta de Transporte

Agarre firmemente a cinta de transporte para o transporte fácil. **25**

Utilização dos Acessórios

- 26** - 1 Capa de chuva **26** - 2 Mosquiteiro **26** - 3 Bandeja
26 - 4 Apoio de Braço **26** - 5 Descanso de Braço

Accessories may be sold separately or may not be available depending on region.

A utilização da Capa de Chuva

Para montar a capa de chuva, coloque-a sobre o carrinho e fixe os 10 pares de ganchos, laços e de ilhós na capa de chuva. **27**

- ! Antes de usar a capa de chuva, certifique-se que o encosto foi ajustado para a posição mais baixa e que o assento de carro foi fixado.
- ! Depois da montagem da capa de chuva, remonte a bandeja de pai na alça.
- ! Ao uso da capa de chuva, verifique sempre a ventilação.
- ! Quando não for usada, verifique se a capa de chuva foi limpa e seca antes de dobrar.
- ! Se a capa de chuva esteja sobre o carrinho, remova-a sempre para evitar a deterioração ou rasgar.
- ! Não coloque a criança no carrinho com a capa de chuva se o tempo estiver quente.
- ! Se estiver usando o carrinho para a praia, limpá-lo completamente após o uso para remover a areia e o sal sobre os mecanismos e sobre os dispositivos das rodas.

Utilização do Mosquiteiro

Cubra o carrinho com o mosquiteiro. Siga os passos abaixo para fixar o mosquiteiro.

1. Prenda a banda elástica do gancho de trás do plástico. **28** - 1
2. Envolve a borda de baixo ao suporte para pés e após fixe o velcro Velcro®. **28** - 2
3. Repita os passos acima para fixar o mosquiteiro no lado oposto.

O mosquiteiro montado olhe como **28**.

Montagem da bandeja

Para montar a bandeja, una a bandeja às montagens da bandeja em ambos os lados da alça. **29**

- ! Não coloque nenhum artigo que possa causar o dano ao bebê e ao carrinho na bandeja.
- ! O peso máximo recomendado para a bandeja dos pais é de 1,36 kg/3lbs.

Use a bandeja rotatória do bebê

Alinhe a bandeja rotatória do bebê com o encaixe correspondente e em seguida empurre para baixo. **30** **32**

A bandeja rotatória do bebê pode ser posicionada para cima e lados direito e esquerdo.

Para abrir a bandeja rotatória do bebê, pressione o botão de liberação da bandeja **31** - 1, e, em seguida, puxe a bandeja rotatória do bebê. **31** - 2

Utilização do Descanso de Braços

Alinhe a extremidade do descanso com o componente correspondente, e abaixe-o para travar. **33** **35**

O descanso pode ser levantado em ambos os lados esquerdo e direito.

Pressione o botão de liberação do descanso **34** - 1 e então puxe-o para cima **34** - 2.

DICA O Descanso pode ser aberto para facilmente colocar e remover.

Cuidados e Manutenção

1. A almofada removível do assento deve ser lavada na água fria e seca à sombra. Não utilize alvejantes.
2. Para limpar o corpo do carrinho, utilize apenas sabão e água quente. Não utilize alvejante ou detergente.
3. De tempo em tempo verifique seu carrinho para parafusos soltos partes danificadas tecidos rasgados ou costurados. Substitua ou conserte as peças como necessário.
4. Excessiva exposição ao sol ou calor pode causar descoloração ou empenamento das peças
5. Se o carrinho estiver úmido abra a capa e deixe secar completamente antes de armazenar.
6. Se as rodas rangerem utilize um óleo leve (por exemplo. WD-40 ou óleo de máquina de costura). É importante colocar o óleo no conjunto do eixo e da roda. **1**
7. Quanto estiver utilizando seu carrinho na praia limpe completamente seu carrinho após o uso para remover areia e sal dos mecanismos e conjuntos de rodas..

Gratulujemy zostania członkiem rodziny Joie! Bardzo się cieszymy z możliwości wspólnego podróżowania z Państwem maleństwem. Podczas podróży z Joie MUZE™, korzystają Państwo z wysokiej jakości, w pełni certyfikowanego wózka spacerowego, zatwierdzonego do używania przez europejską normę bezpieczeństwa EN 1888-2012. Ten produkt nadaje się do stosowania dla dzieci o masie ciała nie przekraczającej 15 kg. Prosimy o uważne przeczytanie tego podręcznika i wykonanie każdej czynności, aby zapewnić wygodną jazdę i najlepsze zabezpieczenie dziecka.

WAŻNE - Należy zachować ten podręcznik do przyszłego wykorzystania.

Pod adresem Joiebaby.com, można pobrać podręczniki i poznać inne ekscytujące produkty Joie.

Spis treści

Rysunki	1-7
Ostrzeżenie	51
Montaż wózka	53
Otwieranie wózka	53
Montaż kół przednich	53
Montaż kół tylnych	53
Obsługa wózka	53
Regulacja nachylenia	53
Używanie sprzączki	53
Używanie uprząży na ramiona i pas	54
Regulacja podparcia tydek	54
Używanie blokady wychylenia do przodu	54
Używanie hamulca	54
Używanie daszka	54
Składanie wózka	
Korzystanie z pasa transportowego	55
Używanie akcesoriów	55
Pielęgnacja i konserwacja	56

Sytuacja zagrożenia

W sytuacji zagrożenia lub po wypadku, najważniejsze jest, aby udzielić dziecku pierwszej pomocy i jak najszybciej podać je leczeniu medycznemu.

Informacje o produkcie

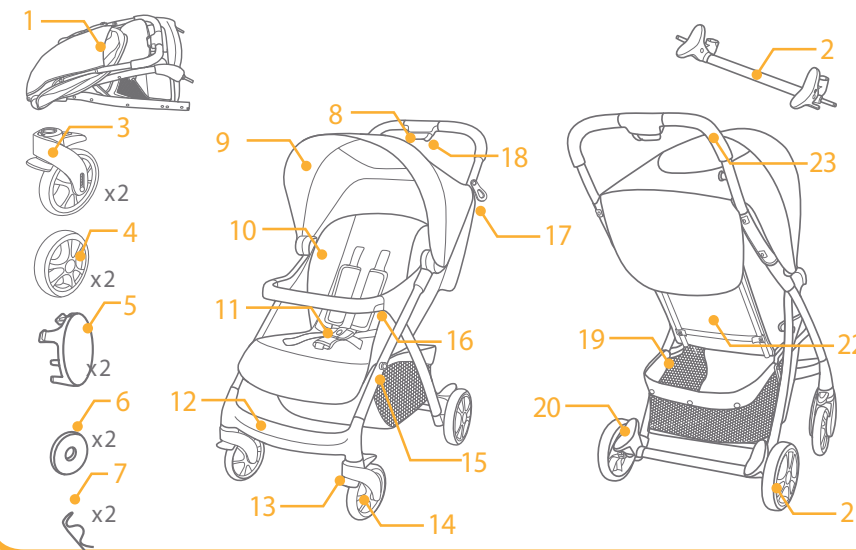
Przed rozpoczęciem używania produktu należy przeczytać wszystkie instrukcje z tego podręcznika. W przypadku dodatkowych pytań, należy się skontaktować bezpośrednio ze sprzedawcą. Niektóre funkcje mogą nie być dostępne we wszystkich modelach.

Produkt	Wózek spacerowy
Odpowiedni dla	Dzieci o masie ciała poniżej 15 kg (od urodzenia - do 36 miesiąca życia)
Materiały	Tworzywa sztuczne, metal, tkaniny
Патент №	Oczekujące patenty
Wyprodukowano w	Chiny
Nazwa handlowa	Joie
Strona internetowa	www.joiebaby.com
Producent	Joie Children's Products (UK) Limited

Lista części

Przed montażem należy się upewnić, że nie brakuje części. Jeśli którejkolwiek części brakuje, skontaktuj się z lokalnym dystrybutorem. Do montażu nie są potrzebne żadne narzędzia.

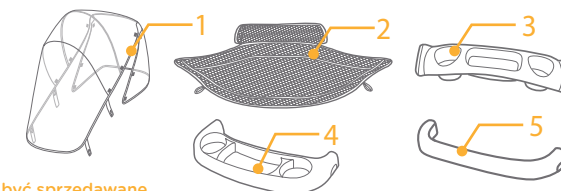
1 Rama wózka	8 Uchwyt składany jedną ręką	14 Koło przednie	19 Kosz
2 Zespół tylnej osi	9 Daszek	15 Mocowanie zaczepu kosza	20 Dźwignia hamulca
3 Koło przednie (x2)	10 Wykładzina siedziska	16 Zwalnianie ramienia	21 Koło tylne
4 Koło tylne (x2)	11 Sprzączka	17 Zaczep kosza	22 Oparcie
5 Nasadka (x2)	12 Oparcie na nogi	18 Dodatkowa blokada	23 Uchwyt
6 Podkładka (x2)	13 Blokada obracania		
7 Zawleczka (x2)			



Akcesoria

(Mogą być niedostarczone)

- 1 Osłona przeciwdeszczowa
- 2 Siatka zabezpieczenia przed komarami
- 3 Taca rodzica
- 4 Obrotowa taca dziecka
- 5 Wspornik ramion



Zależnie od kraju, akcesoria mogą być sprzedawane oddzielnie lub mogą być niedostępne.

OSTRZEŻENIE

- ! WARNING Z paska na krocze korzystać zawsze w połączeniu z paskiem na brzuch. Zaleca się równoczesne korzystanie z pasów na ramiona.
- ! OSTRZEŻENIE Przed użyciem należy sprawdzić, czy działają prawidłowo blokady.
- ! OSTRZEŻENIE W celu uniknięcia obrażeń należy się upewnić, czy podczas składania produktu dziecko znajduje się dalej.
- ! OSTRZEŻENIE Nie wolno pozwalać dziecku na zabawę produktem.
- ! ASkładanie powinna wykonać osoba dorosła.
- ! Nie należy używać wózka spacerowego dla dziecka, o masie ciała przekraczającej 15 kg. Spowoduje to uszkodzenie wózka niepasującego dla dziecka.
- ! Aby zapobiec niebezpiecznej niestabilności, w koszu nie wolno umieszczać przedmiotów o wadze przekraczającej 4,5 kg.
- ! Nigdy nie wolno pozostawiać dziecka bez dozoru. Dziecko znajdujące się w wózku spacerowym powinno być stale widoczne.
- ! W wózku spacerowym może jednocześnie przebywać tylko jedno dziecko. Nie wolno umieszczać na uchwycie lub daszku torebek, toreb z zakupami, paczek lub elementów wyposażenia.
- ! Przeciążenie, nieprawidłowe złożenie lub korzystanie z elementów pochodzących od innych producentów, może spowodować uszkodzenie, zniszczenie lub utratę bezpieczeństwa wózka. Należy dokładnie przeczytać podręcznik z instrukcjami.
- ! Przed rozpoczęciem używania produktu, należy przeczytać wszystkie instrukcje z tego podręcznika. Podręcznik z instrukcjami należy zachować do przyszłego wykorzystania. Nieprzestrzeganie tych ostrzeżeń i zaleceń może spowodować poważne obrażenia lub śmierć.
- ! Pasy bezpieczeństwa i fotelik dla dziecka należy używać prawidłowo.
- ! W celu uniknięcia poważnych obrażeń spowodowanych wypadnięciem lub wysunięciem się dziecka, zawsze używaj pasa bezpieczeństwa.
- ! Podczas regulacji wózka należy się upewnić, że części ciała dziecka nie znajdują się w pobliżu elementów ruchomych.
- ! Jeżeli nie jest wykorzystywana uprząż, dziecko może wsunąć się do otworu na nogi i się udusić.
- ! Nigdy nie wolno korzystać z wózka na schodach lub schodach ruchomych.
- ! Należy unikać przedmiotów o wysokiej temperaturze, płynów i urządzeń elektronicznych.
- ! Na tacy rodzica nie wolno umieszczać żadnych przedmiotów, które mogą zranić dziecko lub uszkodzić wózek.
- ! Nigdy nie wolno dopuszczać do stawiania dziecka na wózku lub siadania w wózku z głową skierowaną do przodu wózka.
- ! Nigdy nie wolno ustawiać wózka na ulicach, pochyłościach lub w miejscach

niebezpiecznych.

- ! Przed użyciem wózka upewnić się, czy wszystkie mechanizmy są prawidłowo zablokowane.
- ! Aby uniknąć uduszenia, nie wolno umieszczać przedmiotów ze sznurkiem wokół szyi dziecka, podwieszając sznurka na produkcie lub przyczepiać sznurka do zabawek.
- ! Aby zapobiec wywróceniu, nie wolno umieszczać niczego na uchwycie. Dziecko należy zawsze wkładać i wyjmować z wózka.
- ! Nie wolno podnosić wózka ze znajdującym się w środku dzieckiem.
- ! Nie wolno przewozić dziecka w koszu.
- ! Aby zapobiec wywróceniu nie wolno zezwalać dziecku na wspinanie na wózek.
- ! Aby uniknąć zaciśnięcia palców, należy zachować ostrożność podczas składania i rozkładania wózka.
- ! Przed dopuszczeniem dziecka w pobliże wózka, należy się upewnić, że jest on całkowicie rozłożony lub złożony.
- ! W celu zapewnienia bezpieczeństwa dziecka, przed użyciem wózka upewnij się, że wszystkie części są zamontowane i przymocowane prawidłowo.
- ! Przed użyciem należy sprawdzić, czy jest prawidłowo zamocowane urządzenie zakładania fotelika samochodowego.
- ! Aby uniknąć uduszenia, należy się upewnić, że dziecko nie jest przykryte daszkiem.
- ! Podczas parkowania wózka należy zawsze uruchomić hamulec.
- ! Należy zaprzestać korzystania z wózka, jeżeli jest on uszkodzony lub zepsuty.
- ! Z wózka można korzystać tylko z prędkością spacerową. Produkt nie jest przeznaczony do stosowania podczas joggingu.
- ! Aby uniknąć uduszenia, przed użyciem tego produktu należy usunąć plastikowy worek i materiały pakujące. Plastikowy worek i materiały pakujące należy trzymać z dala od niemowląt i dzieci.
- ! Produkt nie nadaje się do stosowania podczas biegania lub jeżdżenia na rolkach.
- ! Maksymalna, zalecana masa obciążenia na tacy rodzica to 1,36kg/3 funty.
- ! W przypadku najbardziej odchylonego położenia, dla noworodków zalecane jest stosowanie nosidełka przeznaczonego do stosowania od urodzenia.
- ! Podczas wkładania lub wyjmowania dziecka powinien zostać zablokowany hamulec.
- ! W przypadku fotelików samochodowych używanych w połączeniu z podstawą, pojazd nie zastępuje łóżeczka dzieciennego ani łóżka. Jeżeli dziecko chce spać, powinno zostać umieszczone w odpowiednim wózku dzieciennym, łóżeczku dziecięcym lub łóżku.

Montaż wózka

Przed zmontowaniem i rozpoczęciem używania produktu, należy przeczytać wszystkie instrukcje z tego podręcznika.

Otwieranie wózka

Jeśli wózek jest zablokowany, jak na ilustracji 2 - 1, należy odczepić zaczep kosza 2 - 2 od mocowania kosza 2 - 3 a następnie unieść uchwyt, aby otworzyć wózek. Kliknięcie oznacza, że wózek jest całkowicie rozłożony. 2

! Przed kontynuowaniem należy się upewnić, że wózek jest całkowicie rozłożony.

Montaż kół przednich

Zamocuj przednie koła do przednich nóg. Sprawdź, czy koła są dobrze zamocowane, pociągając elementy montażowe koła. 3

Przednie koła można zdemontować, odciągając do tyłu przyciski zwalniania. 4

Montaż kół tylnych

Tylne koła należy zamontować, wykonując następujące czynności.

1. Przed montażem kół tylnych, zdejmij i usuń dwie nasadki na osi tylnej. 5 - 1
2. Zamocuj zespół osi tylnej do nóg tylnych 5. Sprawdź pociągając, czy jest pewnie zamocowany zespół osi tylnej.
3. Umieść tylne koło i podkładkę z jednej strony osi tylnej. 6
4. Aby zamocować do osi koło i podkładkę, przepchnij prostą część zawlecarki przez otwór na osi. 7
Założona zawleczka jest pokazana na ilustracji: 8
! Krzywa strona zawlecarki musi zachodzić na zewnętrzną stronę osi.
! Upewnij się, że pomiędzy zawleczką a kołem znajduje się podkładka.
5. Wyrównaj występy na nasadce z otworami na kole, zaczep nasadkę na koło. 9 aby zakryć podkładkę i zawleczkę

Całkowicie złożone koła tylne, są pokazane na ilustracji. 10

Obsługa wózka

Regulacja nachylenia

Dostępne są 4 kąty nachylenia oparcia.

W celu ułożenia oparcia, ściśnij uchwyt ułożenia z tyłu siedzenia 11, popchnij oparcie w dół. 12 Pchnij oparcie w górę, aby je podnieść.

! Upewnij się, że kąt pochylenia jest ustawiony prawidłowo dla potrzeb użytkownika.

Używanie sprzączki

Zwalnianie sprzączki

Naciśnij środkowy przycisk, aby zwolnić sprzączkę. 13

Blokowanie sprzączki

Dopasuj sprzączkę pasa na brzuch do sprzączki pasa na ramiona 14 - 1 i wsuń do sprzączki centralnej. 14 - 2

Kliknięcie oznacza, że sprzączka została całkowicie zatrzaśnięta. 14 - 3

! W celu uniknięcia poważnych obrażeń spowodowanych wypadnięciem lub wysunięciem się dziecka, należy je zawsze zabezpieczyć uprzężą bezpieczeństwa.

! Należy się upewnić, że dziecko jest dobrze zabezpieczone. Odległość między dzieckiem i uprzężą na ramiona jest w przybliżeniu równa grubości jednej dłoni.

! Nie wolno krzyżować pasów na ramiona. Może to spowodować nacisk na szyję dziecka.

Korzystanie z uprząży na ramiona i pas

! W celu ochrony dziecka przed wypadnięciem, kiedy dziecko zostanie umieszczone na siedzeniu, należy sprawdzić, czy uprząż na ramiona i pas znajdują się na właściwej wysokości i czy mają prawidłową długość.

15 - 1 Kotwa A uprząży na ramiona

15 - 2 Kotwa B uprząży na ramiona

15 - 3 Regulator przesuwany

W przypadku większego dziecka należy używać kotwy A uprząży na ramiona i położnych wyżej szczebli pasów na ramiona. W przypadku mniejszego dziecka należy używać kotwy B uprząży na ramiona i położnych najwyżej szczebli pasów na ramiona.

Użyj obu kotw pasów na ramiona w szczeblach najbliższej wysokości ramion dziecka. 16

Użyj regulatora przesuwającego do zmiany długości uprząży. 17 - 1

Naciśnij przycisk 17 - 2, wyciągając jednocześnie uprząż na pas na prawidłową długość. 17 - 3.

Regulacja podparcia łydek

Podparcie łydek ma 2 pozycje.

W celu regulacji podparcia łydek, naciśnij przyciski regulacji pod oparciem łydek 18 - 1, i obróć podparcie łydek w dół lub w górę. 18 - 2

Używanie blokady wychylenia do przodu

Pociągnij do góry blokadę wychylenia do przodu w celu utrzymania kierunku ruchu. 19

Wskazówka Korzystanie z blokady wychylenia, jest zalecane na nierównych powierzchniach.

Używanie hamulca

Aby zablokować koła, naciśnij do tyłu każdą z dźwigni hamulca, jak na ilustracji. 20 naciśnij do przodu dźwignię hamulca, aby zwolnić koło.

Wskazówka Podczas wkładania lub wyjmowania dziecka hamulec powinien być zablokowany.

Korzystanie z daszki

W celu otwarcia, pociągnij daszkę do przodu. 21

W celu złożenia, pchnij daszkę do tyłu. 22

Składanie wózka

Naciśnij blokadę wtórną 23 - 1 i ściśnij uchwyt składania jedną ręką 23 - 2 Pchnij wózek do przodu w celu złożenia. Zablokuj wózek wkładając zaczep do mocowania kosza 24 - 1 Wózek jest całkowicie złożony i zablokowany. 24

Używanie z pasa do przenoszenia

Chwyć pewnie pas do przenoszenia, aby ułatwić przenoszenie. 25

Używanie akcesoriów

26 - 1 Osłona przeciwdeszczowa

26 - 2 Siatka zabezpieczenia przed komarami

26 - 3 Taca rodzica

26 - 4 Obrotowa taca dziecka

26 - 5 Osłona oparcia ramion

Zależnie od kraju, akcesoria mogą być sprzedawane oddzielnie lub mogą być niedostępne.

Korzystanie z osłony przeciwdeszczowej

Aby zamontować osłonę przeciwdeszczową, umieść ją na wózku, następnie dopasuj 10 rzepy i zapnij je. **27**

- ! Przed użyciem osłony przeciwdeszczowej, należy się upewnić, że oparcie zostało ustawione w najniższym położeniu, a fotelik samochodowy dla niemowlęcia został przypięty.
- ! Po założeniu osłony przeciwdeszczowej, należy założyć ponownie na uchwyt tacę rodzica.
- ! Podczas korzystania z osłony przeciwdeszczowej, należy zawsze pamiętać o sprawdzeniu wentylacji.
- ! Jeżeli osłona przeciwdeszczowa nie jest używana, przed złożeniem należy pamiętać o jej wyczyszczeniu i wysuszeniu.
- ! Jeżeli osłona przeciwdeszczowa znajduje się na wózku, należy ją zawsze zdejmować w taki sposób, aby zapobiec rozcięciu lub rozerwaniu.
- ! Nie wolno wkładać dziecka do wózka z założoną osłoną przeciwdeszczową, podczas wysokiej temperatury na zewnątrz.
- ! W przypadku korzystania z wózka na plaży, wózek po użyciu należy dokładnie oczyścić w celu usunięcia piasku i soli z mechanizmów oraz zespołów kółek.

Używanie siatki zabezpieczenia przed komarami

Przykryj wózek siatką zabezpieczenia przed komarami. Wykonaj wymienione poniżej czynności w celu zamocowania siatki zabezpieczenia przed komarami.

1. Załóż elastyczną taśmę, aby zaczepić z tyłu plastiku. **28 - 1**
2. Zawień dolną krawędź oparcia na nogi, a następnie zamocuj rzepami. **28 - 2**
3. Powtórz powyższe czynności w celu zamocowania siatki po drugiej stronie. Założona zawleczka jest pokazana na ilustracji. **28**

Używanie tacy rodzica

W celu montażu tacy rodzica, załóż tacę rodzica na elementy montażowe tacy rodzica, po obu stronach uchwytu. **29**

- ! Na tacy rodzica nie wolno umieszczać żadnych przedmiotów, które mogą zranić dziecko lub uszkodzić wózek.
- ! Maksymalna, zalecana masa obciążenia na tacy rodzica to 1,36kg/3 funty.

Używanie obrotowej tacy dziecka

Dopasuj koniec obrotowej tacy dziecka do pasującego komponentu, a następnie naciśnij w celu połączenia. **30**

Obrotową tacę dziecka można pociągnąć z lewej i z prawej strony. **32**

Aby otworzyć obrotową tacę dziecka, naciśnij przycisk zwalniania obrotowej tacy dziecka **31 - 1** a następnie pociągnij obrotową tacę dziecka. **31 - 2**

Korzystanie ze wspornika ramion

Wyrównaj koniec wspornika ramion z pasującym elementem i naciśnij w dół w celu połączenia. **33 35**

Wspornik ramion można wyciągnąć do góry z lewej i prawej strony.

Aby otworzyć wspornik na ramiona, naciśnij przycisk zwalniania wspornika na ramiona **34 - 1**, a następnie pociągnij wspornik na ramiona. **34 - 2**

Wskazówka Wspornik ramion można otworzyć w celu ułatwienia wkładania lub wyjmowania dziecka.

Pielęgnacja i konserwacja

1. Wyjmovaną wkładkę siedzenia można myć w zimnej wodzie i suszyć przez powieszenie. Nie należy stosować środków wybielających.
2. W celu oczyszczenia ramy wózka, należy stosować jedynie zwykłe mydło i ciepłą wodę. Nie wolno stosować środków wybielających ani detergentów.
3. Od czasu do czasu należy sprawdzić, czy w wózku nie ma poluzowanych wkrętów, zużytych części, rozdartego materiału lub szwów. W razie potrzeby części należy naprawić lub wymienić.
4. Nadmierna ekspozycja na słońce lub ciepło, może spowodować pofałdowanie lub powyginanie części.
5. Jeżeli wózek ulegnie zamoczeniu, przed dalszym przechowywaniem należy otworzyć daszek i dokładnie go wysuszyć.
6. Jeżeli kółka skrzypią, należy użyć delikatnego oleju (np., aerozolu silikonowego, środka przeciwrzdzewnego, lub oleju do maszyn do szycia). Ważne jest, aby wprowadzić olej pomiędzy oś i koło. **1**
7. W przypadku korzystania z wózka na plaży, wózek po użyciu należy dokładnie oczyścić w celu usunięcia piasku i soli z mechanizmów oraz zespołów kółek.

IT Benvenuti a Joie™

Complimenti per avete diventato parte della famiglia Joie! Siamo molto felici di partecipare al passeggio con il vostro bambino. Mentre passeggiate con Joie MUZE™ si utilizza un carello per bambini di alta qualità, completamente certificato e approvato dalle norme di sicurezza europee EN 1888-2012. Questo prodotto è adatto per l'uso per i bambini con un peso fino a 15 kg. Leggete attentamente questo manuale e seguite ogni passo per assicurare un passeggio confortevole e la migliore protezione per il vostro bambino.

IMPORTANTE - Tenete questo manuale di istruzioni per un riferimento futuro.

Visitate il nostro sito joiebaby.com per scaricare il manuale e vedere più prodotti straordinari di Joie!

Contenuto

Figure	1-7
Avvertenze	59
Montaggio del carello	60
Aprire il carrello	60
Montaggio delle ruote anteriori	60
Montaggio delle ruote posteriori	61
Manovra del carello	61
Regolazione della pendenza	61
Utilizzo della fibbia	61
Utilizzo della imbracatura per spalla e vita	61
Regolazione del supporto per la gamba	62
Utilizzo blocco gancio anteriore	62
Utilizzo del freno	62
Utilizzo della tenda	62
Piego carello	62
Utilizzo nastro di supporto	63
Utilizzo degli accessori	63
Cura e manutenzione	64

Caso di emergenza

In caso di una emergenza o di un incidente, la cosa più importante è la cura del vostro bambino fornendo pronto soccorso o cure mediche immediate.

Informazioni sul prodotto

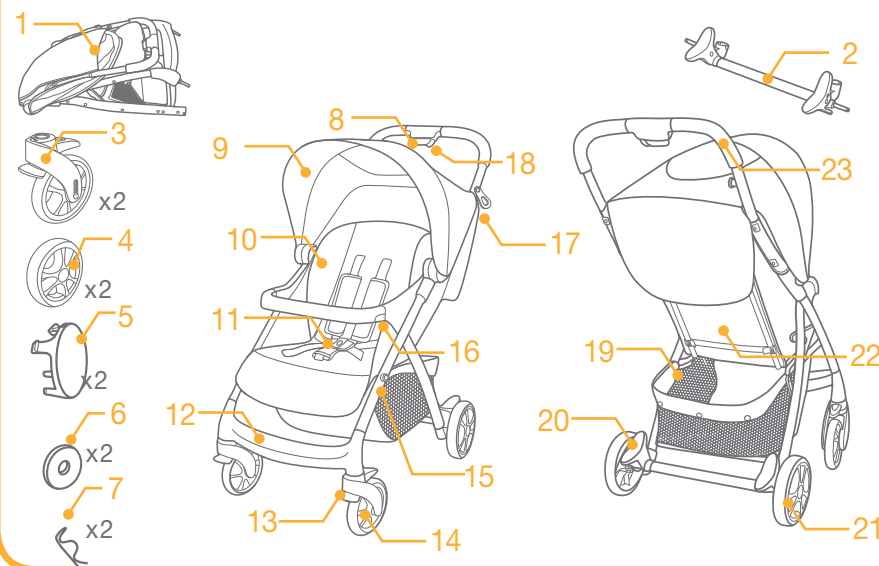
Leggete tutte le istruzioni di questo manuale prima di utilizzare il prodotto. Se avete domande, si prega di consultare il commerciante. Alcune caratteristiche possono variare secondo il modello.

Prodotto	Carello per bambini
Corrisponde per	Bambino con peso meno di 15 kg (dalla nascita - 36 mesi)
Materiali	Alluminio, plastica, tessuti
No. brevetto	Brevetti in attesa
Prodotto in	China
Nome marca	Joie
Sito web	www.joiebaby.com
Fabbricante	Joie Children's Products (UK) Limited

Lista parti componenti

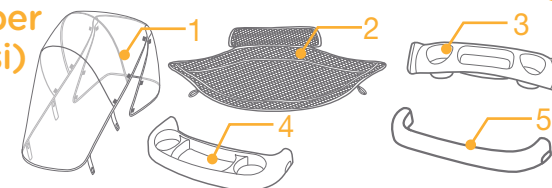
Assicuratevi che tutte le parti sono disponibili prima del montaggio. In caso di componenti mancanti contattare il commerciante locale. Senza bisogno di utensili per il montaggio.

1 Quadro carello	8 Manico piego con un mano	13 Blocco gancio	18 Bloccaggio secondario
2 Assale posteriore	9 Tenda	14 Ruota anteriore	19 Cestino di stoccaggio
3 Ruota anteriore (x2)	10 Cuscino per la sedia	15 Quadro di stoccaggio	20 Manico di freno
4 Ruota posteriore (x2)	11 Fibbia	16 Rilascio mano	21 Ruota posteriore
5 Coperchio (x2)	12 Supporto per le gambe	17 Supporto di stoccaggio	22 Schienale
6 Rondella (x2)			23 Manico
7 Chiodo (x2)			



Accessori (potrebbero o non essere inclusi)

- 1 Parapioggia
- 2 Zanzariera
- 3 Vassoio per genitori
- 4 Vassoio rotante per bambino
- 5 Vassoio rotante per bambino



AVVERTENZE

- ! ATTENZIONE Usate sempre la combinazione tra le piedi con con la cintura per vita. Si consiglia di utilizzare le bretelle.
- ! ATTENZIONE Prima di utilizzare assicuratevi che tutti i dispositivi di bloccaggio vengono azionati.
- ! ATTENZIONE Per evitare lesioni assicuratevi che tenete il bambino lontano quando aprite e piegate il prodotto.
- ! ATTENZIONE Non permettere al vostro bambino di giocare con il prodotto.
- ! È necessario che un adulto realizzi il montaggio.
- ! Non utilizzate il carello per un bambino che pesa più di 15 kg. Si se utilizza per bambini che non hanno un peso adeguato, questo causerà danni al carello.
- ! Per evitare una condizione pericolosa, instabile non mettere un peso maggiore di 4,5 kg nel cestino di stoccaggio.
- ! Non lasciate mai il bambino incustodito. Guardate sempre il bambino mentre è nel carello.
- ! Utilizzate il carello solo per un bambino. Mai depositare borse, sacchetti, pacchetti o accessori nel manico o la tenda.
- ! Il sovraccarico, lo piego incorretto, o l'utilizzo di componenti di altri produttori il carello può diventare danneggiato, deteriorato o non sicuro. Si prega di leggere attentamente il manuale di istruzioni.
- ! Vi preghiamo di leggere tutte le istruzioni riportate nel manuale prima di utilizzare questo prodotto. Vi preghiamo di conservare il manuale di istruzioni per un riferimento futuro. Se non seguite queste avvertenze e le istruzioni potrebbero risultare gravi lesioni o la morte.
- ! Le cinture di sicurezza del sistema di ritenuta devono essere utilizzati correttamente.
- ! Per evitare un grave infortunio causato da cadute o scivoli, utilizzate sempre la cintura di sicurezza.
- ! Assicuratevi che quando regolate il carello il corpo del vostro bambino è lontano dalle parti in movimento.
- ! Il bambino può scivolare nelle aperture per le gambe e potrebbe essere strangolato se non si utilizza le imbracature.
- ! Non utilizzate mai il carello sulle scale o scale mobili.
- ! Tenete il prodotto lontano da oggetti ad alta temperatura, liquidi o oggetti elettronici.
- ! Non mettete articoli che possono danneggiare il bambino nel vassoio per i genitori.
- ! Non permettere mai al vostro bambino di stare in piedi nel carello o essere collocato con la testa verso la parte anteriore del carello.
- ! Non lasciate mai il carro nelle strade, piste o aree pericolose.
- ! Assicuratevi che tutti i meccanismi sono impostati correttamente prima di usare il carello.
- ! Per evitare lo strangolamento, non individuare articoli con una cintura intorno al collo del vostro bambino, non appendete fili di questo prodotto o o allegare fili ai giocattoli.
- ! Non mettete nulla sul manico per evitare il ribaltamento. Sollevate sem-

pre il bambino per metterlo e rimuoverlo dal carello.

- ! Non sollevate il carello con il bambino all'interno.
- ! Non utilizzate il cestino di stoccaggio per portare il bambino.
- ! Per evitare il ribaltamento, non permettete al bambino di cavalcare sul carello.
- ! Per evitare di schiacciarsi le dita, aprire e piegare il carello attentamente.
- ! Assicuratevi che il carello è completamente aperto o piegato prima di lasciare il bambino nelle sue vicinanze.
- ! Per la sicurezza del bambino, vi preghiamo assicuratevi che tutti i componenti vengono assemblati e fissati bene prima di usare il carello.
- ! Controllate se il dispositivo di attacco del seggiolino è collegato correttamente prima di utilizzarlo.
- ! Per evitare lo strangolamento, assicuratevi che è un notevole divario tra il bambino e la tenda.
- ! Applicare sempre i freni quando parcheggiate il carello.
- ! Non utilizzate mai il carello se è difetto o danneggiato.
- ! Il carello deve essere utilizzato ad una velocità di passeggio. Questo prodotto non è destinato ad essere utilizzato per correre.
- ! Per evitare il soffocamento, prima di utilizzare questo prodotto, rimuovete i sacchetti di plastica e i materiali di imballaggio. I sacchetti di plastica e i materiali di imballaggio devono quindi essere tenuti lontano dai neonati e bambini.
- ! Questo prodotto non è adatto per l'uso mentre correte o camminate con i pattini.
- ! Il peso massimo consigliato per il vassoio per i genitori è di 1.36kg/3 libbra.
- ! Per il carello progettato per l'uso dalla nascita del bambino è raccomandata la disposizione del nuovo nato in una posizione inclinata.
- ! Il dispositivo di parcheggio deve essere attivato nel collocamento o il sollevamento del bambino.
- ! Per i seggiolini di auto utilizzati con un sostegno, questo veicolo non sostituisce una culla o letto. Se il vostro bambino ha bisogno di riposo, allora il bambino deve essere posto in una carrozzina, culla o letto correttamente.

Il montaggio del carello

Leggete tutte le istruzioni di questo manuale prima di montare ed utilizzare questo prodotto.

Aprire il carello

Se il carello è bloccato come nella figura 2 - 1, separati il vassoio di stoccaggio 2 - 2 dal suo quadro 2 - 3, e poi sollevate il manico per aprire il carello. Un cricchetto significa che il carello è ora completamente aperto. 2

! Assicuratevi che avete il carello completamente aperto prima di continuare.

Il montaggio delle ruote anteriori

Montate le ruote anteriori ai supporti anteriori. Controllate se le ruote sono collegate correttamente tirando dei

sistemi delle ruote. **3**

Le ruote anteriori possono essere smontati tirando indietro il pulsante di rilascio. **4**

Il montaggio delle ruote posteriori

Montate le ruote posteriori seguono i passi seguenti.

1. Rimuovete e rilasciate le due coperture del assale posteriore prima di montare le ruote posteriori. **5 - 1**
2. Assemblate il sistema dell'asse posteriore nei supporti posteriori **5**. Controllate se l'assale posteriore è correttamente collegato tirando del sistema asse posteriore.
3. Mettete la ruota posteriore e la rondella in una parte del asse posteriore. **6**
4. Per fissare la ruota e la rondella sul asse, spingete il lato destro del chiodo attraverso il foro dell'asse **7**. Il chiodo assemblato viene come nella figura. **8**

! La parte curva del chiodo deve piegarsi al di fuori del asse.

! Assicuratevi che la rondella si trova tra il chiodo e la ruota.

5. Allineate i fori del chiodo con i fori sulla ruota, pinzate il coperchio tra la ruota per coprire la rondella e il chiodo. **9**

Le ruote posteriori completamente assemblate sono simili alla figura. **10**

Utilizzo del carello

Regolazione della pendenza

Hai 4 angoli per lo schienale.

Per appoggiare lo schienale, stringere il manico di pendenza indietro la sedia **11**, tirate lo schienale verso la basse. **12**

Per sollevare lo schienale, spingete verso l'alto.

! Assicuratevi che la pendenza è configurata correttamente prima di utilizzare

Utilizzo della fibbia

Disaccoppiamento della fibbia

Premete il pulsante centrale per disaccoppiare la fibbia. **13**

Blocco della fibbia

Regolate la cintura della fibbia per vita con la fibbia sulle spalle **14 - 1**, e premete nel centro della fibbia.

14 - 2 Un cricchetto significa che ora la fibbia è stato completamente bloccata. **14 - 3**

! Per evitare lesioni gravi da cadute o scivoli dal carrello, sempre collegate il bambino con la imbracatura.

! Assicuratevi di proteggere il bambino in modo confortevole. Lo spazio tra il bambino e la cintura per spalla è quanto di una palma di spessore.

! Non incrociare le cinture per la spalla. Questo causara pressione sul collo del bambino.

Utilizzo delle imbracature per la spalla e la vita

! Per proteggere il bambino di cadute dal carello, dopo che posizionate il bambino nel seggiolino, controllate se le imbracature per la spalla e la vita sono alla altezza e lunghezza appropriata.

15 - 1 Ancora A della imbracatura per la spalla

15 - 2 Ancora B della imbracatura per la spalla

15 - 3 Dispositivo di regolazione scivolante

Per un bambino più grande utilizzate l'ancora A della imbracatura per la spalla e i spazi per la spalla più alti.

Per un bambino più piccole, utilizzate l'ancora B della imbracatura per la spalla e i spazi per la spalla più bassi.

Utilizzate qualsiasi delle ancore della imbracatura per la spalla che è più vicino all'altezza della spalla del bambino. **16**

Utilizzate il dispositivo di regolazione scivolante per modificare la lunghezza della imbracatura. **17 - 1**

Premete il pulsante **17 - 2**, mentre fissate la imbracatura per la vita nella lunghezza appropriata. **17 - 3**

Regolazione del sostegno per la gamba

Il supporto per le gambe ha 2 posizioni.

Per regolare il sostegno per la gamba, premete i pulsanti di controllo di sotto **18 - 1** e rotate il sostegno per la gamba verso la basse o verso l'alto. **18 - 2**

Utilizzo del blocco del gancio anteriore

Tirate i dispositivi di bloccaggio del gancio anteriore verso l'alto per mantenere la direzione di movimento. **19**

Consiglio Si raccomanda utilizzare i dispositivi di bloccaggio del gancio anteriore su superfici irregolari.

Utilizzo del freno

Per bloccare le ruote, premete qualsiasi degli pedali di freno come viene mostrato nella figura **20**, sollevate il pedale per sbloccare le ruote.

Consiglio Il freno deve essere azionato quando si colloca o alleva il bambini.

Consiglio Quando il carello è in posizione di stazionamento e necessario sempre di agire il freno.

Consiglio Per assicurarvi che il freno è azionato completamente, dondolare semplice il carello avanti e indietro prima di rilasciare il manico.

Utilizzo della tenda

Per aprire la tenda, tiratela davanti. **21**

Per piegare la tenda, tiratela indietro. **22**

Piegare del carello

Premete il blocco secondario **23 - 1** e stringete il manico di piego con una mano **23 - 2**. Spingete il carello davanti per la piegatura. Bloccate il carello tra pieghettatura del blocco di stoccaggio nel supporto di stoccaggio **24 - 1**. Il carello è completamente bloccato e piegato. **24**

Utilizzo del nastro di supporto

Fissate il nastro di supporto per un facile trasporto. **25**

L'utilizzo degli accessori

26 - 1 Parapioggia

26 - 2 Zanzariera

26 - 3 Vassoio per genitori

26 - 4 Vassoio rotante per bambino

26 - 5 Vassoio rotante per bambino

Gli accessori possono essere commercializzati separatamente o è possibile di non essere disponibile a seconda della regione.

Utilizzo della parapigioggia

Per montare la parapigioggia, posizionate la sopra il carello e quindi fissate 10 paia di ganci e anelli di montaggio sulla parapigioggia. **27**

- ! Prima di utilizzare la parapigioggia, assicuratevi che la schiena è stata fissata alla sua posizione più bassa e che il seggiolino è stato fissato.
- ! Dopo che è stata assemblata la parapigioggia, riassemblete il vassoio per i genitori nel manico.
- ! Quando si utilizza la parapigioggia controllate sempre la ventilazione.
- ! Quando non si utilizza, controllate se la parapigioggia è stata pulita e asciugata prima della piegatura.
- ! Se la parapigioggia è sul carrello rimuovetela sempre per evitare il taglio e i danni.
- ! Non mettete il vostro bambino nel carello con la parapigioggia montata in estate.
- ! Quando utilizzate il carello sulla spiaggia, pulite completamente il carello dopo l'uso per rimuovere la sabbia e la sale dai sistemi e i meccanismi delle ruote.

Utilizzo delle zanzariere

Coprite il carello con la zanzariera. Seguite i passi per fissare la zanzariera.

1. Attaccate la cintura elastica nel gancio sul retro della plastica. **28 - 1**
2. Avvolgete nella parte inferiore del supporto per le gambe e quindi incollate il Velcro®. **28 - 2**
3. Ripetete i passi precedenti per fissare la zanzariera sul lato opposto.

La zanzariera assemblata viene mostrata come nella figura. **28**

Utilizzo del vassoio per i genitori

Per montare il vassoio per i genitori, allegate questa sui quadri per il vassoio principale su entrambi i lati del manico. **29**

- ! Non posizionare alcun articolo che può danneggiare il vostro bambino o danneggiare in alcun modo il carello nel vassoio per i genitori.
- ! Il peso massimo consigliato per il vassoio per i genitori è di 1.36kg/3libbre.

Utilizzo del vassoio rotante per il bambino

Il vassoio rotante per il bambino può essere sollevato verso l'alto dalla parte sinistra ma anche dalla parte destra. **30 32**

Per aprire il vassoio rotante per il bambino, premete il pulsante di rilascio di questo **31 - 1**, e poi tirate il vassoio rotante per il bambino verso l'alto. **31 - 2**

Utilizzo del supporto per le braccia

Allineate il fine del supporto per le braccia con la componente appropriata e quindi premete il blocco. **33 35**

- ! Non utilizzate il carrello se è difetto o danneggiato
- ! Il carrello deve essere utilizzato solo per una velocità di passeggio. Questo prodotto non è destinato ad essere utilizzato per correre.
- ! Per evitare il soffocamento, prima di utilizzare questo prodotto, rimuovete i sacchetti di plastica e i materiali di imballaggio. I sacchetti di plastica e i materiali di imballaggio devono quindi essere tenuti lontano dai bambini.

Il supporto per le braccia può essere sollevato dalla parte destra e dalla parte sinistra.

Premete il pulsante di rilascio del supporto per le braccia **34 - 1** e tirate il supporto per le braccia. **34 - 2**

Consiglio Il supporto per le braccia può essere aperto per un facile posizionamento e rimozione.

Cura e manutenzione

1. Il cuscino per la seduta rimovibile può essere lavato con acqua fredda e asciugato senza pieghe. Senza sbiancamento
2. Per pulire il quadro del carrello, usate solo sapone di Marsiglia e acqua calda. Non usate agenti di sbiancamento o detersivi.
3. Occasionalmente controllate il carrello per paura che dovesse viti allentate, parti usurate, materiali o cuciture difetti. Sostituite o riparate quelle parti di conseguenza.
4. Una esposizione eccessiva ai raggi solari o al calore può causare scolorimento o deformazioni delle parti.
5. Se il carrello è umido, aprite la tenda e lasciatelo asciugare completamente prima del stoccaggio.
6. Se le ruote squittiscono, utilizzate un olio leggero (es. Spray al silicone, olio control la ruggine o olio per la macchina da cucire). È importante di mettere l'olio nel sistema delle ruote o nell'asso. **1**
7. Quando utilizzate il carello sulla spiaggia, pulite completamente il carello dopo l'uso per rimuovere la sabbia e la sale dai sistemi e i meccanismi delle ruote.

Gefeliciteerd dat u deel uitmaken van de familie Joie! We zijn erg blij om deel te nemen aan de reis met je baby terwijl u loopt met een Joie MUZE™ kinderwagen u gebruik maken van een hoge kwaliteit, volledig gecertificeerd en goedgekeurd volgens de Europese veiligheidsnormen EN 1888-2012. Dit product is geschikt voor kinderen met een gewicht tot 15 kg. Lees deze handleiding zorgvuldig en volg elke stap naar een comfortabele rit en de beste bescherming voor uw kind te waarborgen

BELANGRIJK - Bewaar deze instructies voor toekomstig gebruik.

Bezoek ons op joiebaby.com om de handleiding te downloaden en nog meer geweldige producten van Joie te zien!

Inhoud

Figures	1-7
Aanwijzingen	67
Kinderwagen montage	68
Opening van kinderwagen	68
Voorwielmontage	68
Achterwielmontage	68
Kinderwagen bediening	69
Tilt aanpassen	69
Gebruik van gesp	69
Gebruik vans schouder & middel harnessen	69
Aanpassen van benensteun	69
Gebruik van vooras slot	70
Gebruik van brake	70
Gebruik van luifel	70
Kinderwagen inklappen	70
Gebruik van hoofdband	70
Gebruik van accessoire	70
Verzorging en onderhoud	71

Noodgeval

In geval van nood of ongeval, het belangrijkste is uw kinderopvang door het verstrekken van eerste hulp of medische behandeling.

Productinformatie

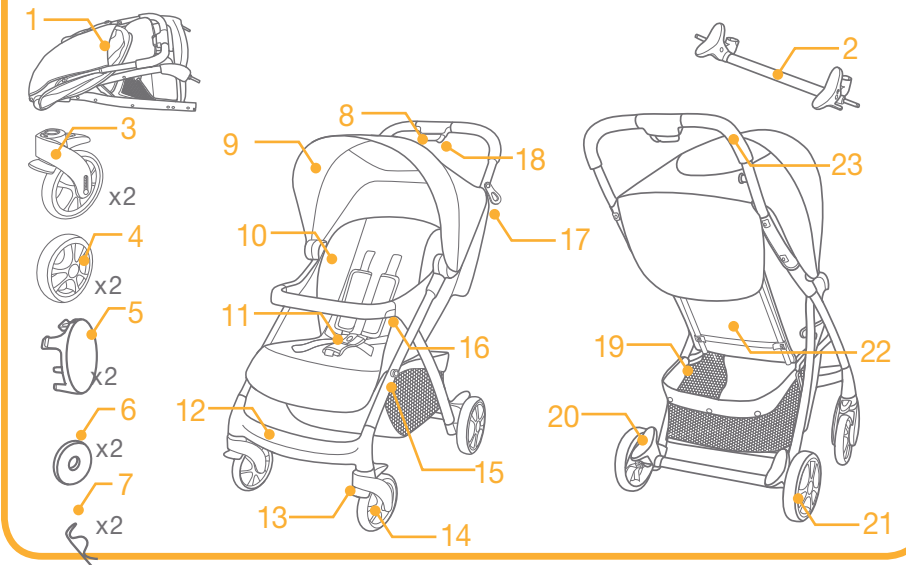
Lees alle instructies in deze handleiding voordat u het product gebruikt. Als u vragen heeft, raadpleeg dan de dealer. Sommige functies kunnen variëren per model.

Product	Eenvoudige kinderwagen
Betrekking op	Kinderen met een gewicht tot 15 kg (vanaf geboorte tot - 36 maanden)
Materialen	Aluminium, kunststof, textiel
Patentno	Proces van het patent verkrijgen
Gemaakt in	China
Merksnaam	Joie
Website	www.joiebaby.com
Fabrikant	Joie Children's Products (UK) Limited

Lijst med onderdelen

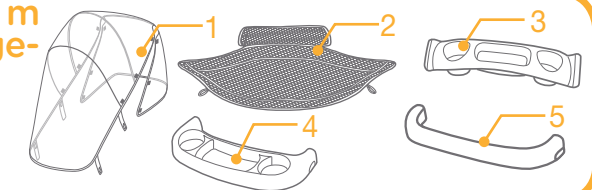
Zorg ervoor dat alle onderdelen beschikbaar zijn vóór de montage. Als er onderdelen ontbreken contact op met uw lokale dealer. Geen gereedschap nodig voor de montage.

1 Ramen	8 Handgreep voor	13 Vooras slot	19 Opslaglade
2 Achteras	inklappen met een	14 Voorwiel	20 Rem handvat
3 Voorwiel(x2)	hand	15 Opslag daagframe	21 Achterwiel
4 Achterwiel (x2)	9 Baldakijn	16 Hand uitgifte	22 Rugleuning
5 Dekken (x2)	10 Kussen voor stol	17 Ondersteuning	23 Handvat
6 Ring (x2)	11 Gesp	opslagruimte	
7 Nagel (x2)	12 Voetsteunen	18 Secundair slot	



Toebehoren (zijn mogelijk niet meegeleverd)

- 1 Regenhoes
- 2 Insectenwerend
- 3 Ouders laden
- 4 Draaibare kind laden
- 5 Draagarmen



AANWIJZINGEN

- ! ATTENTIE Gebruik altijd een combinatie van staande heupgordel. Wij stellen voor het gebruik en de schoudergordels.
- ! ATTENTIE Voordat u gebruik van ervoor te zorgen dat alle vergrendelingen worden bediend.
- ! ATTENTIE Zorg ervoor dat de wandelwagen volledig geopend of gevouwen is, voordat een kind naar de truck te benaderen.
- ! ATTENTIE Zorg ervoor dat uw kind niet met dit product speelt.
- ! Het is noodzakelijk dat een volwassene montage verwezenlijkt.
- ! Indien gebruikt voor kinderen die meer wegen dan 15 kg kan leiden tot schade aan de wagen.
- ! Als u een gevaarlijke, onstabiele toestand te voorkomen, plaats een gewicht van niet meer dan 4,5 kg in opslag basket.
- ! Laat het kind nooit zonder toezicht. Houdt toezicht op het kind terwijl het kind in kinderwagen
- ! Gebruik alleen een wagen te rijden een kind en niet meer. Plaats nooit portemonnees, boodschappentassen, pakketten op handgreep of accessoires, verwerken of luifel
- ! Overbelasting, verkeerd inklappen of gebruik van onderdelen van andere fabrikanten kan schade aan de wagen veroorzaken kan het vernietigen of onzeker maaken. Lees de handleiding goed door.
- ! Lees alle instructies in de handleiding voordat u dit product gebruikt. Bewaar de handleiding voor toekomstig gebruik. Als u deze waarschuwingen en instructies niet opvolgen, kunnen de gevolgen ernstig letsel of de dood zijn.
- ! Om ernstig letsel als gevolg van uitglijden of vallen van de wagen te vermijden, gebruik dan altijd een riem.
- ! De veiligheidsgordels en bevestigingssystemen moeten correct worden gebruikt worden
- ! Zorg ervoor dat als u wagen passen uw baby lichaam is uit de buurt van bewegende delen.
- ! Kind kan vervallen in been openingen en kunnen stikken als u geen gebruik van de gordel maakt.
- ! Gebruik nooit de kinderwagen op trappen of roltrappen.
- ! Houd het product uit de buurt van hoge temperatuur voorwerpen, vloeistoffen of elektronische artikelen.
- ! Plaats in de ouders lade geen items die voor kind letsel of schade toe aan
- ! Sta niet toe dat je kind staan of zitten worden in een rolstoel met zijn hoofd naar de voorkant van de wagen.
- ! Laat de wagen niet op de straten, hellingen of gevaarlijke gebieden.
- ! Zorg ervoor dat alle mechanismen worden beveiligd voordat u de kinderwagen gebruikt.
- ! Om verstikking te voorkomen, plaats geen voorwerpen met snoer om uw baby nek, hangt aan de productsnoeren bevestig ze aan het speelgoed.
- ! Plaats niets op de hendel om kantelen te voorkomen. Til het kind te brengen of te verwijderen uit de kinderwagen

- ! Tilt niet de kinderwagen met het kind binnen.
- ! Om kantelen te voorkomen, staan niet toe dat kinderen op de kinderwagen rijden.
- ! Om het vangen van vingers te voorkomen, open en vouw zorgvuldig de wandelwagen.
- ! Laat een kind niet in de mand voor opslag.
- ! Zorg ervoor dat de wandelwagen volledig geopend of gevouwen is, voordat een kind naar de truck te benaderen.
- ! Controleer voor grbeuik als de bevestigingsapparaat voor het autostoel goed angesloten is.
- ! Om verstikking te voorkomen, zorg ervoor dat er een aanzienlijke afstandtussen het kind en de scherm.
- ! Altijd als u de kinderwagen parkt op de rem.
- ! Stop met het gebruik van de kinderwagenals het defect of beschadigd is.
- ! De wagen worden gebruikt bij een loopsnelheid. Dit product is niet bestemd voor gebruik bij het lopen.
- ! Om verstikkingsgevaar te voorkomen, voordat u dit product gebruikt, verwijdert de plastic zak en verpakkingsmaterialen. Plastic zakken en verpakkingsmaterialen moeten uit de buurt van baby's en kinderen worden bewaard.
- ! Kinderwagen voor zuigelingen wordt aanbevolen voor gebruik in de hellende stand voor zuigelingen.
- ! Dit product is niet geschikt voor gebruik van tijdens het joggen of een wandeling met rolschaatsen.
- ! Maximaal aanbevolen gewicht is 1.36kg/3lbs.
- ! Voor karren ontworpen voor gebruik vanaf de geboorte wordt aanbevelen het plaatsen van kinderen in een schuine positie
- ! De parkeerapparaat moet zijn ingeschakeld bij het plaatsen of het opvoeden van kinderen.
- ! Voor de autostoeltje gebruikt met ondersteuning, in dit geval het voertuig is geen vervanging voor een babybedje of een bed. Als uw kind heeft rust nodig, dan zal het kind moet worden geplaatst in een kinderwagen, wieg of bed goed.

Kinderwagen montage

Lees alle instructies in deze handleiding voor montage en gebruik van dit product.

Opening van kinderwagen

Als de wagen wordt vergrendeld zoals ② - 1, gescheid de opslag ondersteuning ② - 2 op de ramen ② - 3, en til de handgreep aan de wandelwagen te openen. Een ratel betekent dat de wagen nu helemaal open. ②

! Alvorens verder te gaan controleren als de kinderwagen volledig open is.

Voorwielmontage

Monteer de voorwielen aan de voorzijde steunen. Controleer of de wielen goed zijn bevestigd door trekken aan het wiel systemen. ③

Voorwielen kunnen worden gedemonteerd, indien u op de ongedelingsknop drukt. **4**

Achterwielmontage

Monteer de achterwielen naar aanleiding van de volgende stappen.

1. Verwijder de twee covers op de achteras voor de montage van achterwielen. **5 - 1**
2. Monteer het systeem op de achteras ondersteunt op de achterzijde **5**. Controleer of de wielen goed zijn bevestigd door trekken aan het wiel systemen.
3. Plaats het achterwiel en de ring aan een zijde van de achteras. **6**
4. Om het wiel en de as ring veilig te stellen, druk op de rechterkant van de nagel door het as gat **7**.
De gemonteerde nagel is als in de figuur **8**.
! Gebogen deel van de nagel moet naar buiten as buigen.
! Zorg ervoor dat de ring ligt tussen de nagel en het wiel.
5. Plaats de boutgaten met de gaten op het wiel, ..nieten deksel op wiele om de ring en pin te dekken. **9**

Volledig gemonteerde achterwielen zien als in figuur uit. **10**

Bediening van kinderwagen

Aanpassen van kantelen

Kantelen van rugleuning

Er zijn vier hoeken voor de rugleuning.

Om de rugleuning te kantelen, draait de achterbank kantelstuk **11**, trekk de rugleuning terug. **12** Om de rugleuning hoog te brengen, druk het op

! Zorg ervoor dat de positie geschikt voor gebruik is.

Gebruik van gesp

Gesp vrijmaken

Druk op de middelste knop om de gesp vrij te laten. **13**

Gesp vergrendelen

Pas gesp aan de taille tot aan de schouder **14 - 1**, en voer deze in het midden gesp. **14 - 2**

Een ratel staat voor een volledige blokkering van de band. **14 - 3**

! Om ernstig letsel veroorzaakt door vallen of schuiven te voorkomen, altijd bescherm uw kind harnassen.

! Geef uw kind veilig in een gemakkelijke manier. Ruimte tussen het kind en de schoudergordel is ongeveer een klap.

! Steek niet de schouderbanden. Dit veroorzaakt druk op de hals van het kind.

Gebruik van schouder- en taille gordel

! Om het kind tegen vallen te beschermen, nadat het kind zitt, controleer dat de schouder en taille harnassen op de juiste hoogte en lengte zijn.

15 - 1 Bevestiging A voor schoudergordel

15 - 2 Bevestiging B voor schoudergordel

15 - 3 Aanpassing vanschrijven

Voor een ouder kind gebruik de vergrendeling voor schouder harnas schouder A en de hoogste spaties voor schouder. Voor een kleiner kind, gebruik de vergrendeling voor schouder harnas schouder B en de lagere spaties voor schouder.

Gebruik een van de inrichting voor de schouder harnas die het dichtst bij de schouder van het kind is. **16**

Gebruik de aanpassen apparaat voor te schuiven om de harnas om de lengte te veranderen. **17 - 1**

Druk op de knop **17 - 2**, tijdens de aanpassing van de taille harnas aan een geschikte lengte. **17 - 3**

Gebruik van benensteun

Het benesteun heeft 2 posities

Om de nstersuening voor de benen aan te passen, druk op de knoppen eronder **18 - 1** en drai de steun omhoog of omlaag. **18 - 2**

Gebruik van vooras slot

Trek de vergrendeling van de voorste haak om de beweging te houden. **19**

Advies Het wordt aanbevolen de gebruik van haak vergrendelingen op oneffen oppervlakken.

Gebruik van rem

Om de wielen te vergrendelen, stap op een van de rempedaal, als in de figuur **20**, til de pedalen om de wielen vrij te kregen.

Advies Rem moet worden gebruikt als u het kind zit of lift.

Advies Gebruik de rem als de kinderwagen stilstaat.

Advies Om zeker te zijn dat de rem volledig wordt toegepast, schud de kinderwagen heen en weer voor het vrijgeven van het handvat.

Gebruik van luifel

Om de luifel te openen, trek dit naar voren. **21**

Om de luifel te vouwen, trek dit naar achteren. **22**

Vouwen van de kinderwagen

Druk op de secundaire vergrendeling **23 - 1** en draai de vouw handgreep **23 - 2**. Duw de wagen vooraan voor het vouwen. Een ratel betekent dat de wandelwagen volledig is gevouwen **24 - 1**. Kinderwagen is volledig ingeklapt en vergrendeld. **24**

Gebruik van ondersteuning band

Klem de ondersteuning band voor gemakkelijk transport. **25**

Gebruik van accessoires

26 - 1 Regenhoes

26 - 2 Insectenwerend

26 - 3 Ouders laden

26 - 4 Draaibare kind laden

26 - 5 Draagarmen

De accessoires kunnen ook separaat worden gekocht of kunnen niet beschikbaar afhankelijk van de regio zijn.

Gebruik van regenhoes

Om de regenhoes monteren, plaatst deze op de trolley en sluit vervolgens de 10 paar klitthechting zoals weergegeven in de bovenstaande afbeelding. **27**

- ! Voordat u de regenhoes gebruikt, zorg ervoor dat de rug was ingesteld op laagste stand en het zitje is vastgesteld.
- ! Voordat u de regenhoes gebruikt, monteer de ouder lade terug op de handgreep
- ! Controleer altijd de ventilatie bij gebruik van de regenhoes.
- ! Wanneer niet in gebruik, controleer dan of regenhoes werd schoongemaakt en droog is voor de vouwen .
- ! Als regenhoes op de kinderwagen is, altijd verwijderen om breuk en beschadiging te voorkomen.
- ! Tijdens het warme seizoen, plaats het kind niet in de kinderwagen met geassembleerde regenhoes.
- ! Bij het gebruik van de kinderwagen op het strand, reinig volledig de kinderwagen na gebruik om zand en zout van de wielen mechanismen en structuren te verwijderen.

Gebruik van insectenwerende

Bedek de kinderwagen met de insectennetten. Volg deze stappen om de insectenwerend te beveiligen

1. Bevestig de elastische banda aan de haak aan de achterkant van de plastic. **28** - 1
2. Rol de onderkant van de voetensteun en dan plak de Velcro®. **28** - 2
3. Herhaal de bovenstaande stappen om het insect te beveiligen aan de andere kant.

Gemonteerde insectenwerend ziet eruit als figuur. **28**

Gebruik van Draagarmen

Om de oudenladen te monteren, bevestig deze aan de bovenliggende ramenaan beide zijden van de handgreep. **29**

- ! Nooit een artikel ouder lade die kan uw baby kwetsen of schade aan de winkelwagen
- ! Maximaal aanbevolen gewicht is 1.36kg/3lbs.

Gebruik van roterende laden voor kinderen

Roterende lade voor het kind kan links en rechts worden opgewekt. **30** **32**

Om de roterende lade voor het kind te open, pres de release knop **31** - 1, en trek de roterende lade voor het kind naar boven. **31** - 2

Gebruik van draagarmen

Lijn einde van de armlegger met de juiste componenten en druk vervolgens op het slot. **33** **35**

De draagarmen kan van links en rechts omhoog worden.

Druk de ontspanknop van de draagarmen **34** - 1, en trek de draagarm **34** - 2.

Advies Draagarmen kan worden geopend voor eenvoudige plaatsing en verwijdering.

defecte naden. Vervang of repareer die delen.

4. Overmatige blootstelling aan zonlicht of hitte kan tot verkleuring of vervorming van onderdelen leiden
5. Als zich e wagen bevochtigt, open de luifel en laat het goed drogen voordat u het opbergt.
6. Als de wielen piepen, gebruik dan een lichte olie (bijv. bespoten met siliconen olie, olie tegen roest, of naaimachine olie). Het is belangrijk olie in het wiel of as-systeem te brengen. **1**
7. ij het gebruik van de kinderwagen op het strand, reinig volledig de kinderwagen na gebruik om zand en zout van de wielen mechanismen en structuren te verwijderen.

Verzorging en onderhoud

1. Afneembare kussens kunnen worden gewassen met koud water en druppelen-gedroogd. Zonder bleken.
2. Om de wagen schoon te maken, gebruik dan alleen huishoudelijke zeep en warm water. Gebruik geen bleekmiddelen of detergenten.
3. Af en toe controleer de winkelwagen opdat er losse schroeven, beschadigde onderdelen, materialen of

RU Поздравляем!

Поздравляем вас с тем, что вы стали частью семьи Joie! Мы очень рады быть частью путешествия вашего малыша. Во время путешествия с Joie MUZE™, вы будете использовать высококачественную, полностью сертифицированную коляску. Этот продукт подходит для использования детей весом до 15кг. Пожалуйста, внимательно прочтите это руководство, чтобы обеспечить комфортное путешествие и наилучшую защиту для вашего ребенка.

Пожалуйста, храните руководство по эксплуатации для дальнейшего использования.

Посетите сайт joiebaby.com, чтобы скачать инструкцию или увидеть больше интересных товаров Joie.

Содержание

Изображения	1-7
Предостережения	75
Сборка коляски	76
Открытие коляски	76
Сборка передних колёс	76
Сбока задних колёс	76
Использование коляски	76
Регулировка наклона спинки	76
Использование пряжки	77
Использование плечевого и поясного ремня	77
Регулировка подножки	77
Использование фиксатора передних колёс	77
Использование тормоза	77
Использование капюшона	78
Складывание коляски	78
Использование ремня для транспортировки	78
Аксессуары	78
Обслуживание и уход	79

Непредвиденный случай

В случае чрезвычайной ситуации или аварии, самое главное, чтобы вашему ребенку была оказана своевременная медицинская помощь.

Информация о коляске

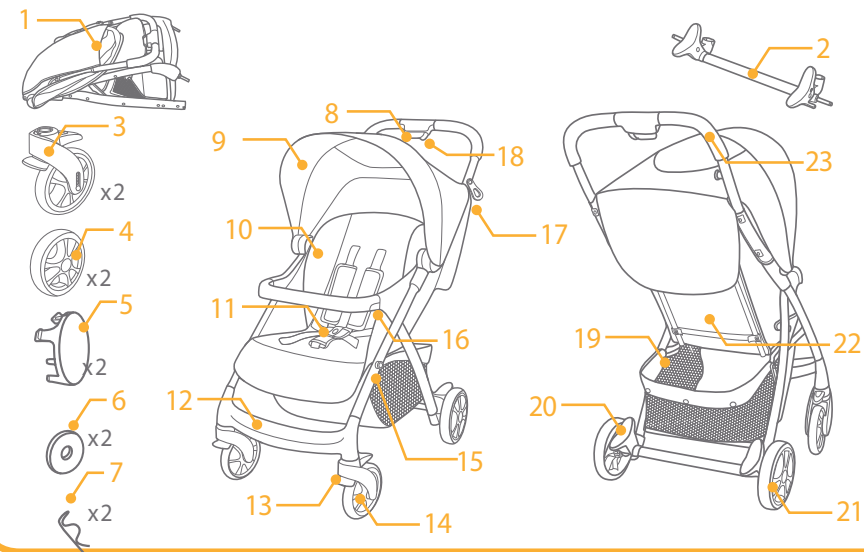
Перед началом использования обязательно прочтите все инструкции в этом руководстве. Если у вас возникли дополнительные вопросы, обращайтесь к продавцу. Некоторые функции могут отличаться в зависимости от модели.

Наименование	Коляска Muze
Пригодно для	Ребёнка до 15кг (От рождения до 36 месяцев)
Материал	Пластик, металл, текстиль
Патент №	В ожидании патента
Сделано в	Китае
Бренд	Joie
Веб-сайт	www.joiebaby.com
Производитель	Joie Children's Products (UK) Limited

Схема

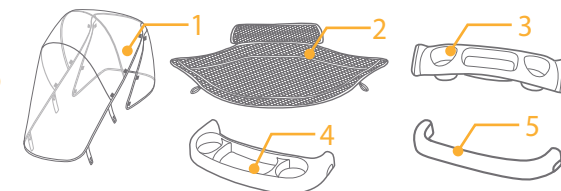
Пожалуйста, перед сборкой убедитесь, что все составляющие в комплекте и обратитесь к продавцу, в случае отсутствия какой-либо части комплектации. Для сборки не нужны инструменты.

1 Коляска	8 Кнопка открытия/закрытия	14 Передние колёса	18 Второстепенный замок
2 Задний мост	9 Капюшон	15 Фиксатор сложения	19 Корзинка
3 Передние колёса (x2)	10 Подушка сиденья	16 Кнопка снятия бампера	20 Тормоз
4 Задние колёса (x2)	11 Пряжка	17 Фиксатор сложения	21 Задние колёса
5 Заглушки (x2)	12 Подножка		22 Спинка
6 Шайбы (x2)	13 Фиксатор колёс		23 Ручка
7 Шпильки (x2)			



Дополнительные аксессуары (не включены в основную комплектацию)

- 1 Дождевик
- 2 Москитная сетка
- 3 Родительский поднос
- 4 Вращающийся детский поднос
- 5 Бампер



Предостережения

- ! **ВНИМАНИЕ** Перед использованием убедитесь, что все механизмы защёлкнуты.
- ! **ВНИМАНИЕ** Не позволяйте ребёнку играть с коляской.
- ! Сборкой коляски должен заниматься взрослый.
- ! Использование коляски ребёнком весом более 15кг может привести к повреждению коляски.
- ! **ВНИМАНИЕ** Всегда используйте ремни безопасности.
- ! Не кладите более 4,5кг в корзину, это может привести к нестабильности коляски и опасности.
- ! Никогда не оставляйте ребенка без присмотра. Всегда держите ребенка в поле зрения, пока он в коляске.
- ! Никогда не сажайте нескольких детей в коляску. Никогда не вешаете сумки, пакеты на ручку коляски или капюшон.
- ! Перегрузка, неправильное складывание или использованием комплектующих производителей может привести к поломке коляски. Внимательно читайте руководство по эксплуатации.
- ! Пожалуйста, прочтите все инструкции в данном руководстве перед использованием коляски. Пожалуйста, храните руководство по эксплуатации для дальнейшего использования.
- ! Ремни безопасности обязательно нужно использовать правильно.
- ! Ребёнок может сползти из коляски, если не использовать ремни безопасности.
- ! Убедитесь, что ваш ребёнок защищён от движущихся частей при регулировке коляску.
- ! Никогда не используйте коляску на лестницах и эскалаторах.
- ! Беречь от объектов высокой температуры, жидкостей и электроники.
- ! Никогда не кладите предметов в корзину, которые могут навредить вашему ребёнку.
- ! Никогда не позволяйте вашему ребёнку стоять или сидеть в коляске против хода движения.
- ! Никогда не оставляйте коляску на дорогах, склонах или опасных местах.
- ! Удостоверьтесь, что все части коляски собраны правильно.
- ! Во избежание удушья, не вешайте предметы на шею вашего ребенка.
- ! Не ставьте ничего на ручку коляски, чтобы избежать переворачивания коляски.
- ! Не поднимайте коляску вместе с ребёнком.
- ! Не используйте корзинку как переноску для ребёнка.
- ! Во избежание опрокидывания, никогда не позволяйте ребёнку залезать в коляску.
- ! Во избежание защемления пальцев, будьте внимательно во время складывания коляски.
- ! Удостоверьтесь, что коляска полностью сложена или разложена, прежде чем подпускать ребёнка.
- ! Для безопасности вашего ребенка, пожалуйста, убедитесь, что все механизмы закреплены, прежде чем использовать коляску.
- ! Всегда зажимайте тормоза при парковке коляски.

- ! Прекратите использовать коляску, если она повреждена или сломана.
- ! Коляска предназначена для ходьбы с ней. Она не рассчитана на бег.
- ! Во избежание удушья, снимите всю упаковку перед использованием коляски. Пластиковые пакеты и другие упаковочные материалы нужно держать вдали от детей.
- ! Коляска не предназначена для бега или катания на ней.
- ! Максимально допустимый вес для родительского подноса, равен 1.36кг .
- ! Всегда зажимайте тормоза при парковке коляски.
- ! Никогда не кладите предметов в корзину, которые могут навредить вашему ребёнку.
- ! Беречь от объектов высокой температуры, жидкостей и электроники.
- ! **ВАЖНО** Когда вы складываете или раскладываете коляску, во избежание травм, убедитесь, что ваш ребёнок находится на безопасном расстоянии.
- ! Важно Перед использованием убедитесь, что все механизмы правильно закреплены.
- ! Перед складыванием коляски, во избежание защемления, убедитесь, что ваш ребёнок в безопасности.

Сборка коляски

Перед сборкой и использованием коляски, пожалуйста, прочтите руководство по эксплуатации полностью.

Открытие коляски

Если коляска закрыта **2** - 1, отсоедините фиксатор **2** - 2 от штыря **2** - 3 а затем поднимите ручку вверх. Звук щелчка будет означать, что коляска полностью открыта. **2**

! Удостоверьтесь, что коляска полностью открыта.

Сборка передних колес

Вставьте передние колеса в отверстия. Убедитесь, что колеса надёжно закреплены, потянув их обратно. **3**

Чтобы снять передние колеса, просто нажмите кнопку. **4**

Сборка задних колес

Соберите задние колеса, выполнив следующие действия:

1. Выкиньте колпачки с заднего моста перед установкой колес. **5** - 1
2. Прикрепите задний мост к раме **5**. Убедитесь, что он надёжно закреплен, потянув его назад.
3. Наденьте задние колеса и шайбы по бокам моста. **6**
4. Вставьте шпильки в отверстия в заднем мосте. **7**
Вставленная шпилька выглядит так: **8**
! Убедитесь, что шайба находится между колесом и шпилькой.
5. Вставьте колпачки так, чтобы штырьки колпачков попали в углубления для них. **9**

Собранные колёса и мост показаны на рисунке. **10**

Использование коляски

Регулировка наклона спинки

У спинки есть 4 уровня наклона.

Чтобы откинуть спинку, зажмите рычаг регулировки спинки **11** и опустите спинку. **12** Чтобы поднять спинку, зажмите рычаг и поднимите ее.

! Перед использованием коляски убедитесь, что уровень наклона спинки выставлен правильно.

Использование пряжки

Расстегнуть пряжку

Нажмите центральную кнопку, чтобы расстегнуть пряжку. **13**

Застегнуть пряжку

Соедините поясную и плечевую пряжки **14** - 1 и защелкните их с центральной пряжкой. **14** - 2

Щелчок означает, что пряжка полностью собрана. **14** - 3

! Чтобы избежать серьезных травм при падении, обязательно закрепляйте вашего ребенка ремнями безопасности.

! Убедитесь, что ваш ребенок хорошо закреплен.

Пространство между ребенком и ремнем безопасности должно соответствовать толщине одной руки взрослого человека.

! Не перекрещивайте ремни безопасности, они могут давить на шею ребенка.

Использование плечевого и поясного ремней

! После того, как вы пристегнули ребенка, проверьте высоту и длину ремней безопасности.

15 - 1 Якорь плечевого ремня безопасности А

15 - 2 Якорь плечевого ремня безопасности В

15 - 3 Регулятор

Для крупного ребенка, используйте якорь А и самый высокий слот.

Для маленького ребенка, используйте якорь В и самый низкий слот.

Используйте якорь и слот, которые ближе всего к высоте плеча ребенка. **16**

Используйте регулятор для изменения длины ремней. **17** - 1

Зажмите кнопку **17** - 2, и настройте нужную длину поясного ремня безопасности. **17** - 3.

Регулировка подножки

У подножки есть 2 уровня наклона.

Чтобы отрегулировать подножку, нажмите на кнопки по обе стороны подножки **18** - 1, а затем поднимите ее или опустите. **18** - 2

Использование фиксатора передних колес

Чтобы зафиксировать колеса, поднимите фиксатор вверх. **19**

Подсказка На неровной поверхности рекомендуется фиксировать колеса.

Использование тормоза

Чтобы зафиксировать тормоз, нажмите на ближнюю часть педали тормоза. **20** Нажмите на дальнюю часть педали, чтобы освободить его.

Подсказка Всегда используйте тормоз, когда коляска стоит.

Использование капюшона

Чтобы открыть капюшон, вытяните его. **21**

Чтобы закрыть капюшон, сложите его. **22**

Складывание коляски

Зажмите второстепенный замок **23** - 1 и нажмите кнопку закрытия **23** - 2 Толкайте коляску вперед, чтобы сложить её. Закройте фиксатор **24** - 1 Коляска сложена и зафиксирована. **24**

Использование ремня для транспортировки

Для более удобной транспортировки коляски в сложенном виде, используйте специальный ремень. **25**

Аксессуары

26 - 1 Дождевик

26 - 2 Москитная сетка

26 - 3 Родительский поднос

26 - 4 Вращающийся детский поднос

26 - 5 Бампер

Москитная сетка-дополнительный аксессуар.

Использование дождевика

Чтобы закрепить дождевик, натяните его на коляски и закрепите 10 липучек на коляске. **27**

! После того, как вы прикрепили дождевик, можно поставить родительский поднос.

! Пожалуйста, проверяйте вентиляцию при использовании дождевика.

! Перед тем как сложить дождевик, убедитесь что он чистый и сухой.

! Не складывайте коляску с дождевиком на ней.

Использование дождевика

Чтобы установить москитную сетку, натяните её на коляску и выполните ниже перечисленные пункты.

1. Наденьте резинки на штырьки. **28** - 1

2. Оберните липучки вокруг нижней части подножки и зафиксируйте их. **28** - 2

Установленная москитная сетка показана на рис. **28**

Сборка родительского подноса

Вставьте родительский поднос в отверстия в коляске. **29**

! Никогда не кладите в родительский поднос предметы, которые могут причинить вред вашему ребенку.

! Максимально допустимый вес для родительского подноса равен 1.36 кг.

Сборка вращающегося детского подноса

Совместите конец бампера с соответствующим компонентом и зафиксируйте.

Бампер снимается с обеих сторон.

Нажмите кнопку **31** - 1, а затем потяните бампер **31** - 2 Подсказка Бампер можно открывать для более удобного размещения ребенка.

Использование бампера

Вставьте детский поднос в отверстия в коляске. 80

Обслуживание и уход

1. Подушку сиденья можно стирать в холодной воде и сушить, не выжимая её. Не используйте отбеливатель.
2. Чтобы очистить раму коляски, используйте мыло и тёплую воду. Не используйте отбеливатель или моющее средство.
3. Время от времени, проверяйте коляску на предмет раскрутившихся болтов, изношенных деталей, порванного текстиля или разошедшихся швов. Поменяйте или отремонтируйте непригодные части.
4. Воздействие солнечных лучей или жара может привести к выцветанию или деформации деталей.
5. Если коляска намочла, то откройте капюшон и дайте ей высохнуть, перед тем как её убрать.
6. Если колёса скрипят, используйте жидкое масло (например: силиконовый спрей, антикоррозийное масло или масло для швейных машин). Важно, чтобы масло попало на ось колеса. 1
7. После использования коляски на бездорожье, полностью очистите её, чтобы удалить песок и грязь с механизмов и колесных узлов.

AR مرحباً بك في علام Joie

تأهينا على انضمامك إلى عائلة Joie. إننا في غاية السعادة لاشتراكنا في رحلتك مع طفلك الصغير. وأثناء القيادة يضمن نظام MUZE الذي تقدمه Joie أقصى درجات السلامة لعربة أطفال عالية الجودة وأمنة بالكامل. كما أنه مطابق لمعايير السلامة الأوروبية رقم EN1888-2012. ويرجى العلم بأن هذا المنتج يمكن استخدامه مع الأطفال الذين يقل وزنهم عن 15 كجم. الرجاء قراءة هذا الدليل بعناية واتباع كل خطوة فيه لضمان قيادة مريحة وتوفير أفضل حماية لطفلك.

مهم: يرجى الاحتفاظ بهذا الإرشادات للرجوع إليها مستقبلاً.

تفضل بزيارتنا في موقع الويب Joiebaby.com لتنزيل أدلة التعليمات والإطارات على مزيد من منتجات Joie الرائعة.

معلومات المنتج

اقرأ كل التعليمات الواردة في هذا الدليل قبل استخدام هذا المنتج. إذا كانت لديك أي استفسارات أخرى، فإلحاح استشارة الموزع. قد تختلف بعض الميزات حسب الطراز.

عربة الأطفال للأطفال الذين يقل وزنهم عن 15 كجم (يبلغون 36 شهراً)	المنتج الفتة المستهدفة
بلاستيك، معدن، قماش	الخامات
في انتظار حصوله على براءة اختراع	رقم براءة الاختراع
الصين	صنع في
Joie	اسم الماركة
www.joiebaby.com	موقع الويب
Joie Children's Products (UK) Limited	المُصنِّع

المحتويات

الأشكال

تحذير

تركيب عربة الأطفال

فتح العربة

تركيب العجلات الأمامية

تركيب العجلات الخلفية

تشغيل العربة

ضبط الانحناء

استخدام الإزيم

استخدام أحزمة الكتف والخصر

ضبط مسند الساق

استخدام القفل الدوار الأمامي

استخدام المكابح

استخدام الغطاء

طيّ العربة

استخدام شريط الحمل

استخدام الملحقات

العناية والصيانة

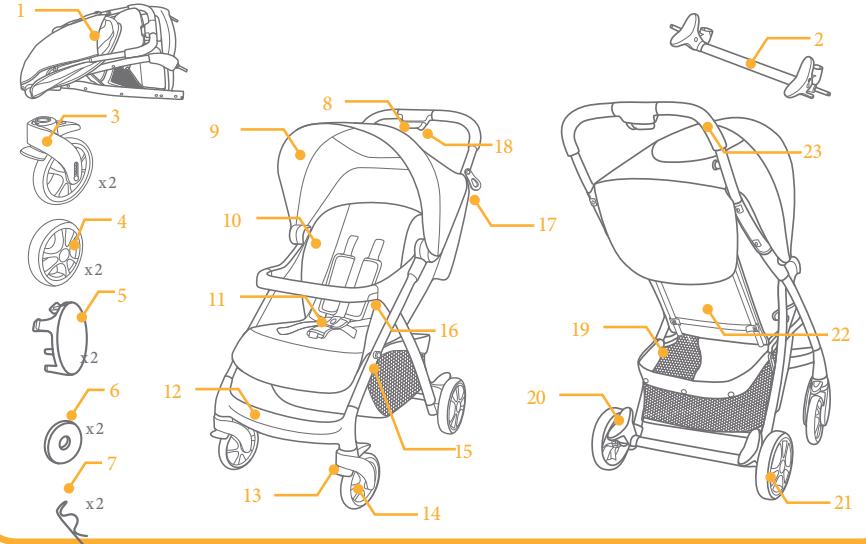
الطوارئ

في حالات الطوارئ أو الحوادث، يجب العناية بالأطفال عن طريق القيام بالإسعافات الأولية وتقديم العلاج الطبي فوراً.

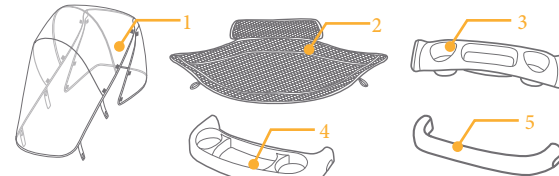
قائمة الأجزاء

تأكد من توفر كل الأجزاء قبل التجميع. في حالة فقد أحد مكونات العربة، يرجى الاتصال بالموزع المحلي. لا داع لاستخدام أية أدوات لتركيب العربة.

1 إطار العربة	2 مكونات المحور الخلفي	3 عدد 2 عجلة أمامية	4 عدد 2 عجلة خلفية	5 عدد 2 غطاء
6 عدد 2 جلبة	7 عدد 2 مسمار	8 مقبض الطي اليدوي	9 الغطاء العلوي	10 وسادة المقعد
11 إزيم	12 مسند القدم	13 قفل دوار	14 عجلة أمامية	15 مزلاج منطقة التخزين
16 ذراع التحرير	17 مزلاج التخزين	18 قفل ثانوي	19 سلة التخزين	20 ذراع المكبح
21 عجلة خلفية	22 مسند الظهر	23 المقبض		



الملحقات (قد لا تكون مرفقة)



- 1 غطاء واق من المطر
- 2 ناموسية
- 3 درج الأياء
- 4 طاولة الطفل الدوارة
- 5 ذراع

قد يُباع الملحقات بشكل منفصل أو قد لا تتوفر حسب المنطقة.

! الحد الأقصى للوزن الموصى به في الدرج الخاص بالآباء هو 1.36 كجم/3 رطل.

! صُممت عربة الأطفال لاستخدامها منذ لحظة الولادة، ويفضل استخدام وضعية الانحناء المصممة خصيصاً للأطفال حديثي الولادة.

! يجب تأمين المكابح عند وضع الطفل في العربة وإخراجه منها.

! لا تستبدل هذه العربة بسريр الطفل أو الفراش وذلك في مقاعد السيارات المقترنة بهيكل السيارة. وعند النوم يجب وضع الطفل في عربة أو سريр أو تغطيته بفراش مناسب.

تركيب عربة الأطفال

الرجاء قراءة كافة التعليمات الواردة في هذا الدليل قبل تركيب المنتج واستخدامه.

فتح العربة

إذا كانت العربة مغلقة كما هو موضح في الشكل 1 - 2، يرجى فصل مزلاج التخزين كما في الشكل 2 - 2، من منطقة التخزين الشكل 3 - 2، وبعد ذلك قم برفع المقبض لفتح العربة. عند سماع صوت نقرة فهذا يعني أن العربة مفتوحة بالكامل. 2

! تحقق من فتح العربة بالكامل قبل المتابعة.

تركيب العجلات الأمامية

قم بتركيب العجلات الأمامية في الأرجل الأمامية. تحقق من إحكام ربط العجلات عن طريق سحب تركيب العجل. 3

يمكن فك العجلات الأمامية عن طريق سحب أزرار التحرير للخلف. 4

تركيب العجلات الخلفية

قم بتركيب العجلات الخلفية عن طريق اتباع الخطوات التالية.

1 قم بإزالة طرفي الغطاء الموجودين في المحور الخلفي وتخلص منهما قبل تركيب العجلات الخلفية. 1 - 5

2 قم بتركيب المحور الخلفي في الأرجل الخلفية كما في الشكل 5، وتأكد من إحكام ربط المحور الخلفي عن طريق سحبه.

3 يرجى وضع العجلة الخلفية والجلية في نفس جانب المحور الخلفي. 6

4 لإحكام ربط العجلة والجلية في المحور، قم بدفع المسمار الجانبي المستقيم عبر الفتحة الموجودة في المحور كما في الشكل 7، ويعرض الشكل 8 مثال لمسمار جانبي بعد تركيبه.

! يجب وضع المسمار الجانبي المنحني حول الجزء الخارجي من المحور.

! تأكد من وضع الجليلة بين المسمار والعجلة.

5 قم بمحاذاة الأسنة الموجودة في الغطاء مع فتحات العجلة، ثم ضع الغطاء على العجلة لتغطية الجليلة والمسمار. 9

يعرض الشكل 10 العجلات الخلفية بعد تركيبها بالكامل.

تشغيل العربة

ضبط الانحناء

إملاء مسند الظهر للخلف

يوجد بمسند الظهر 4 زوايا.

لإملاء مسند الظهر إلى الخلف، اضغط على مقبض الانحناء الموجود خلف المقعد كما في الشكل 11، واسحب مسند الظهر لأسفل. 12

لإملاء مسند الظهر إلى الخلف، اضغط على مقبض الانحناء الموجود خلف المقعد كما في الشكل 11، واسحب مسند الظهر لأسفل. 12

! لرفع مسند الظهر، اسحبه لأعلى.

تحذير

! تحذير احرص دائماً على استخدام أحزمة الساقين مع حزام الخصر. كما يُنصح باستخدام أحزمة الكتف أيضاً.

! تحذير تأكد من تأمين الأقفال كافة قبل الاستخدام.

! تحذير تأكد من إبعاد طفلك عند بسط العربة أو طيها لتجنب إلحاق أي إصابة به.

! تحذير تجنب لعب الطفل بهذا المنتج.

! يجب التجميع بواسطة شخص بالغ.

! استخدم عربة الأطفال هذه مع الأطفال الذين يقل وزنهم عن 15 كجم، حيث إن استخدام العربة لحمل طفل زائد الوزن سيؤدي إلى تلفها.

! لتفادي الحالات الخطرة أو غير المستقرة، تجنب وضع عناصر يزيد وزنها على 4.5 كجم في سلة التخزين.

! يحظر ترك الطفل دون مراقبة. احرص دائماً على مراقبة الطفل عند وضعه في العربة.

! استخدم العربة لحمل طفل واحد فقط في كل مرة، يحظر وضع حقائب يد أو حقائب تسوق أو طرود أو إكسسوارات على المقبض أو الغطاء.

! قد يتسبب الحمل الزائد أو محاولة طيّ العربة بطريقة غير صحيحة أو استخدام قطع غيار من إنتاج مُصنِّعين آخرين في تلف العربة أو كسرها أو جعلها غير آمنة للاستخدام. يرجى الاطلاع على دليل التعليمات بعناية.

! الرجاء قراءة كافة التعليمات الواردة في هذا الدليل قبل استخدام المنتج. برجاء الاحتفاظ بهذا الدليل لاستخدامه في المستقبل. قد يؤدي عدم مراعاة هذه التحذيرات واتباع التعليمات إلى وقوع إصابات بالغة أو الوفاة.

! يجب استخدام أحزمة الأمان ونظام تقييد الحركة استخداماً صحيحاً.

! لتفادي وقوع الإصابات البالغة الناتجة عن الوقوع أو الانزلاق، احرص على استخدام حزام الأمان دائماً.

! تأكد من ابتعاد جسد طفلك عن الأجزاء المتحركة عند ضبط العربة.

! في حالة عدم استخدام الحزام قد ينزلق الطفل إلى فتحات الساق ومن ثم يتسبب ذلك في اختناقه.

! يحُظر استخدام عربة الأطفال على السلالم أو السلالم الكهربائية.

! احرص على إبعاد العربة عن مصادر الحرارة المرتفعة أو السوائل أو الأجهزة الإلكترونية.

! تجنب وضع أيّة أجسام قد تتسبب في إلحاق الضرر بالطفل وبالعربة في الدرج الخاص بالآباء.

! يحُظر وقوف الطفل على العربة أو جلوسه بداخلها عندما تكون رأسه متجه ناحية المقدمة.

! يحظر وضع عربة الأطفال على الطرق أو المنحدرات أو المناطق الخطرة.

! يرجى التأكد من تثبيت كافة المكونات قبل استخدام العربة.

! لتفادي الاختناق، تجنب وضع أيّة أجسام مزودة بسلاسل حول رقبة الطفل أو قم بفصل السلاسل من المنتج أو قم بربطها في الأعباب.

! لتجنب ميل العربة، تجنب وضع أيّة أجسام على المقبض. ارفع طفلك داخل العربة أو خارجها دائماً.

! تجنب رفع العربة إذا كان الطفل بداخلها.

! تجنب وضع الطفل داخل سلة التخزين.

! لتجنب ميل العربة، يحظر تسلق الطفل العربة.

! لتجنب انحشار الأصابع، احرص على طيّ العربة أو بسطها بعناية.

! تأكد من فتح العربة أو طيها بالكامل قبل السماح للطفل بالاقتراب منها.

! لضمان سلامة طفلك، يرجى التأكد من تركيب كافة المكونات وإحكام ربطها جيداً قبل استخدام العربة.

! تأكد من إحكام جهاز ربط المقعد جيداً قبل الاستخدام.

! لتجنب اختناق طفلك، تأكد من إبعاده عن الغطاء.

! احرص على تأمين المكابح عند وقوف العربة.

! احرص على عدم استخدام العربة إذا تعرضت للتلف أو الكسر.

! يجب استخدام العربة بسرعة المشي فقط. هذا المنتج غير مُصمم للاستخدام أثناء الركض.

! لتجنب الاختناق، أزل الكيس البلاستيكي ومواد التغليف قبل استخدام هذا المنتج. ويتعين بعد ذلك الاحتفاظ بالكيس البلاستيكي ومواد التغليف بعيداً عن متناول الرضع والأطفال.

! هذا المنتج غير مناسب للاستخدام أثناء الجري أو التزلق.

استخدام شريط الحمل

امسك شريط الحمل بإحكام لسهولة النقل. ²⁵

استخدام الملحقات

غطاء واق من المطر 1 - 26 ، ةي سومان 2 - 26 ، درج الأبناء 3 - 26

طاولة الطفل الدوارة 4 - 26 ، ذراع 5 - 26

قد تباع الملحقات بشكل منفصل أو قد لا تتوفر حسب المنطقة.

استخدام الغطاء الواقي من المطر

لتجميع غطاء المطر ضعه فوق العربة ثم ثبت 10 أزواج من مثبتات الخطاف والحلقة على غطاء المطر. ²⁷

! تأكد من ضبط مسند الظهر على الوضع السفلي وتثبيت مقعد الطفل في السيارة، وذلك قبل استخدام الغطاء.

! يرجى إعادة تركيب درج الأبناء على المقبض بعد الانتهاء من تركيب الغطاء.

! عند استخدام الغطاء، يرجى التأكد من التهوية بصورة مستمرة.

! في حالة عدم استخدام الغطاء، تأكد من تنظيفه وتجفيفه قبل طيه.

! إذا كان الغطاء فوق عربة الأطفال، احرص على إزالته لتجنب تمزقه.

! تجنب وضع الطفل في عربة الأطفال المثبت بها الغطاء الواقي من المطر عند ارتفاع درجة الحرارة.

! عند استخدام عربة الأطفال على الشاطئ، احرص على تنظيف تراكيب العجل والمعدنات من الرمال والملح جيداً بعد الاستخدام.

استخدام الناموسية

لتغطية عربة الأطفال بلاناموسية، اتبع الخطوات الواردة أدناه لتثبيتها.

1 وصل الشريط المرن بلامثبت الموجود في الجزء الخلفي من المشابك البلاستيكية. 1 - 28

2 لف الحافة السفلية لمسند القدمين ثم الصق شريك 2 - 28

3 كرر الخطوات المذكورة سابقاً لتثبيت الناموسية على الجانب الآخر.

يوضح الشكل 28 ناموسية مثبتة

استخدام درج الأبناء

لتركيب درج الأبناء، قم بتثبيته على الحوامل الخاصة به بجانب المقبض. ²⁹

! تجنب وضع أيّة أجسام قد تتسبب في إلحاق الضرر بالطفل وبالعربة في الدرج الخاص بالأبناء.

! الحد الأقصى للوزن الموصى به في الدرج الخاص بالأبناء هو 1.36 كجم/3 رطل.

استخدام طاولة الطفل الدوارة

قم بمحاذاة طرف هذه الطاولة بلاجزء المتوافق معه، ثم اضغط عليه لأسفل لتركيبه. ³⁰ ³²

يمكن سحب هذه الطاولة لأعلى في كلا الجانبين الأيسر والأيمن.

لفتح الطاولة، اضغط على زر التحرير الخاص بها كما هو موضح في الشكل 1 - 31 ، ثم اسحب الطاولة لأعلى. 2 - 31

استخدام الذراع

قم بمحاذاة طرف الذراع بلاجزء المتوافق معه، ثم اضغط عليه لأسفل لتركيبه. ³³ ³⁵

يمكن سحب الذراع لأعلى في كلا الجانبين الأيسر والأيمن.

لفتح الذراع، اضغط على زر التحرير الخاص به كما هو موضح في الشكل 1 - 34 ، ثم اسحب الذراع لأعلى. 2 - 34

يمكن فتح الذراع لتسهيل عملية وضع الطفل داخل العربة أو إخراجها منها. **تلميح**

استخدام الإبزيم

تحرير الإبزيم

اضغط على الزر الأوسط لتحرير الإبزيم. ¹³

قفل الإبزيم

قم بتوصيل إبزيم حزام الخصر مع إبزيم الكتف كما في الشكل 1 - 14 ، واضغط على إبزيم الوسط. 2 - 14

عند سماع صوت نقرة فهذا يشير إلى غلق الإبزيم بالكامل. 3 - 14

! لتجنب التعرض لإصابة خطيرة بسبب السقوط أو الانزلاق، احرص دائماً على تثبيت الطفل باستخدام الحزامين.

! تأكد من تثبيت الطفل في مكانه بإحكام. يجب أن تكون المسافة بين الطفل وحزام الكتف مساوية لسُمك يد واحدة تقريباً.

! لا تربط حزامي الكتف بشكل متصالب؛ وإلا فقد يؤدي ذلك إلى الضغط على عنق الطفل.

استخدام أحزمة الكتف والخصر

! لحماية طفلك من السقوط، بعد وضع على المقعد، تحقق من طول وارتفاع أحزمة الكتف والخصر.

مُثبت حزام الكتف من النوع أ 1 - 15

مُثبت حزام الكتف من النوع ب 2 - 15

ضابط الانزلاق 3 - 15

استخدم مُثبت حزام الكتف من النوع أ والفتحات العلوية للحزام مع الأطفال ذوي الحجم الكبير. استخدم مُثبت حزام الكتف من النوع ب والفتحات السفلية للحزام مع الأطفال ذوي الحجم الصغير.

استخدم أي من مُثّبي حزام الكتف في الفتحات الأقرب لارتفاع كتف الطفل. ¹⁶

استخدم ضابط الانزلاق لتغيير طول الحزام. 1 - 17

اضغط على الزر الموضح في الشكل 2 - 17 ، مع سحب حزام الخصر ليصل إلى الطول المناسب كما في الشكل. 3 - 17

ضبط مسند الساق

يوجد وضعتان لمسند الساق.

لضبط مسند الساق، اضغط على أزرار الضبط الموجودة أسفل مسند الساق كما في الشكل 1 - 18 ، ثم بتدويره لأعلى أو لأسفل. 2 - 18

استخدام القفل الدوار الأمامي

اسحب الأقفال الدوارة الأمامية للمحافظة على اتجاه الحركة. ¹⁹

تلميح يوصى باستخدام الأقفال الدوارة مع الأسطح غير المستوية.

استخدام المكابح

لتغلق العجلات، اضغط على أي من أذرع المكابح إلى الخلف كما هو موضح في الشكل 20 ، أو اضغط على ذراع المكبح للأمام لتحرير العجلة.

تلميح يجب تأمين المكابح عند وضع الطفل في العربة أو إخراجها منها.

تلميح استخدم المكابح دائماً عندما تكون العربة في وضع التوقف.

تلميح للتأكد من تأمين المكابح بالكامل، قم بتحريك العربة إلى الخلف والأمام برفق قبل تحرير المقبض.

استخدام الغطاء

لفتح الغطاء، اسحب الغطاء ناحية الأمام. ²¹

لطيّ الغطاء، اسحب الغطاء ناحية الخلف. ²²

طيّ العربة

ادفع القفل الثانوي كما هو موضح في الشكل 1 - 23 ، واسحب مقبض الطيّ اليدوي كما هو موضح في الشكل 2 - 23 ، ثم ادفع العربة إلى الأمام لطيها. اقل العربة عن طريق إدخال مزلاج

التخزين في منطقة التخزين كما هو موضح في الشكل 1 - 24 ، وبهذا يتم طيّ العربة وإغلاقها بالكامل. ²⁴

العناية والصيانة

- 1 يمكن غسل وسادة المقعد القابلة للإزالة بلءاء البارد وتركها لتجف. تجنب استخدام المبيضات.
- 2 لتنظيف إطار العربة، استخدم الصابون المنزلي والماء الدافئ فقط. تجنب استخدام المبيضات أو المنظفات.
- 3 تحقق من عدم فك أحد البراغي أو تلف أحد الأجزاء أو تمزيق قطع أقمشة أو فك الغرز من وقت لآخر. واستبدل الأجزاء أو أصلحها حسب الحاجة.
- 4 قد يتسبب التعرض المفرط لأشعة الشمس أو الحرارة في تلف أجزاء العربة أو تشويهها.
- 5 في حالة بلل عربة الأطفال، افتح الغطاء واركها تجف جيداً قبل تخزينها.
- 6 في حالة صرير العجلات، استخدم زيت خفيف (مثل بخاخ السيليكون أو زيت منع الصدأ أو زيت ماكينة الخياطة). يوصى بوضع الزيت داخل تركيبات العجل والمحور. **1**
- 7 عند استخدام عربة الأطفال على الشاطئ، احرص على تنظيف تركيبات العجل والمعدات من الرمال والملح جيداً بعد الاستخدام.

The logo for Joie, featuring the word "Joie" in a white, sans-serif font with a small leaf icon above the letter 'i'. The logo is set against a solid orange square background.

Joie™

bring the kids™

Share the joy at joiebaby.com

P-IM0021L