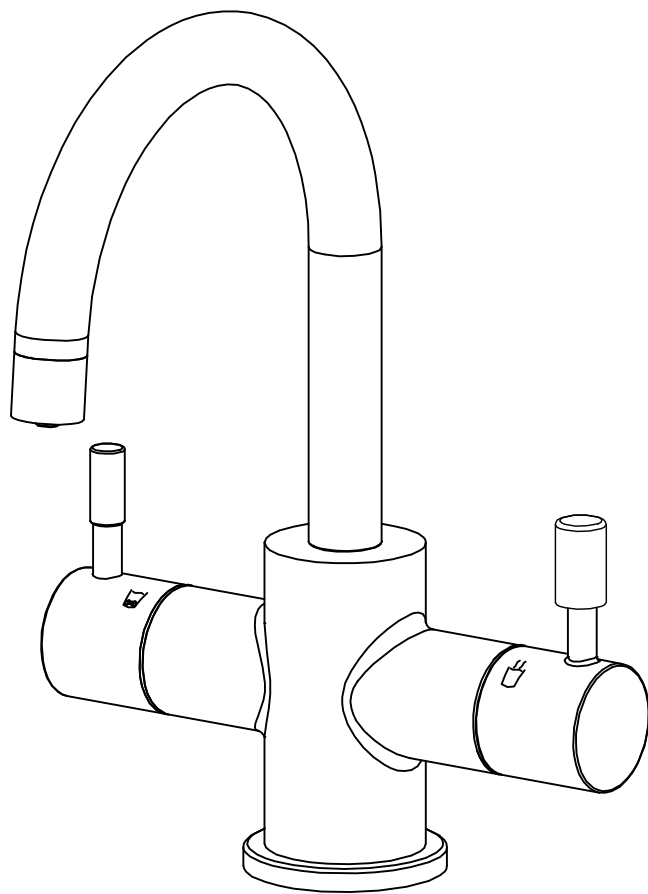
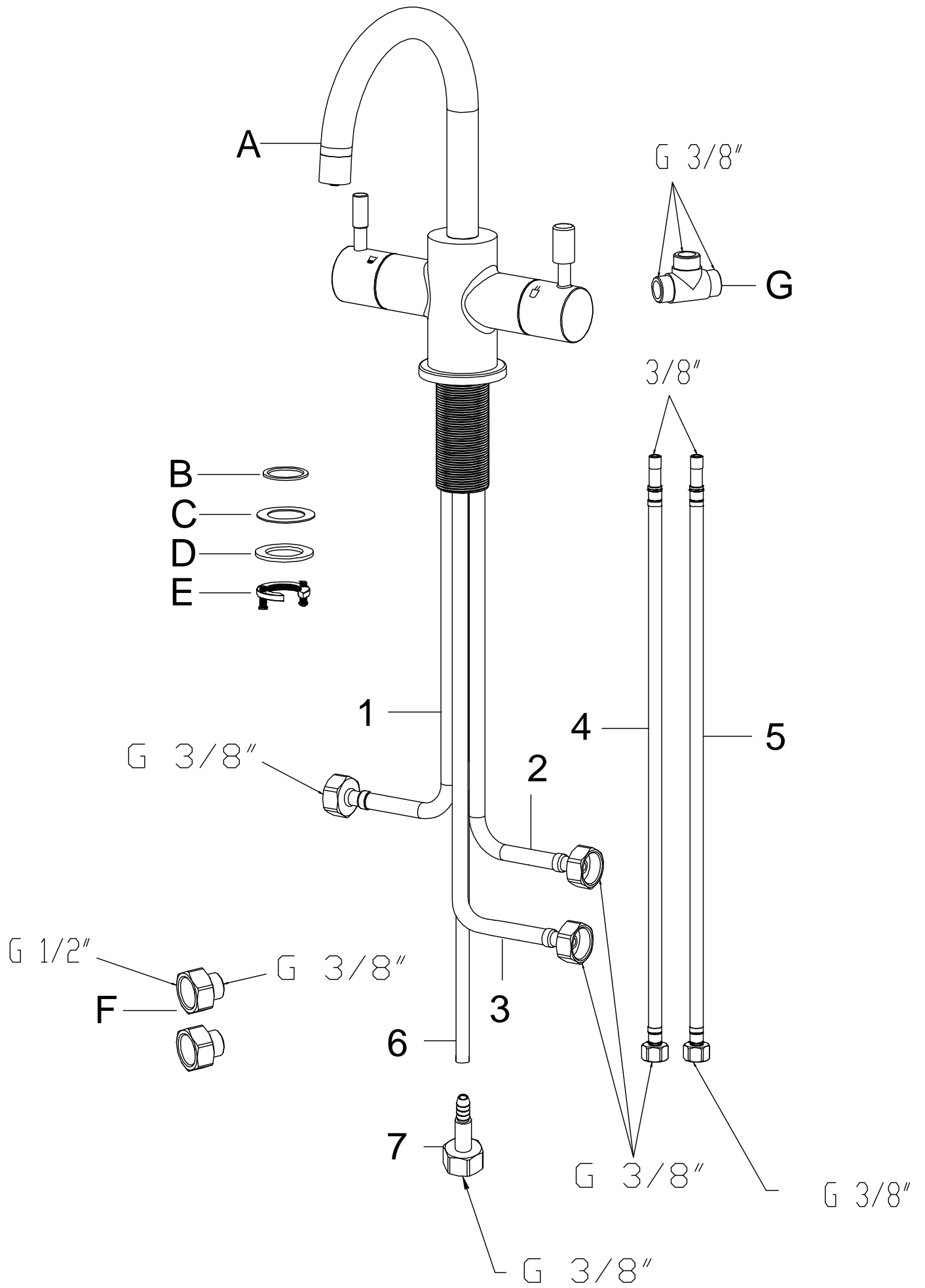


# Installation Manual



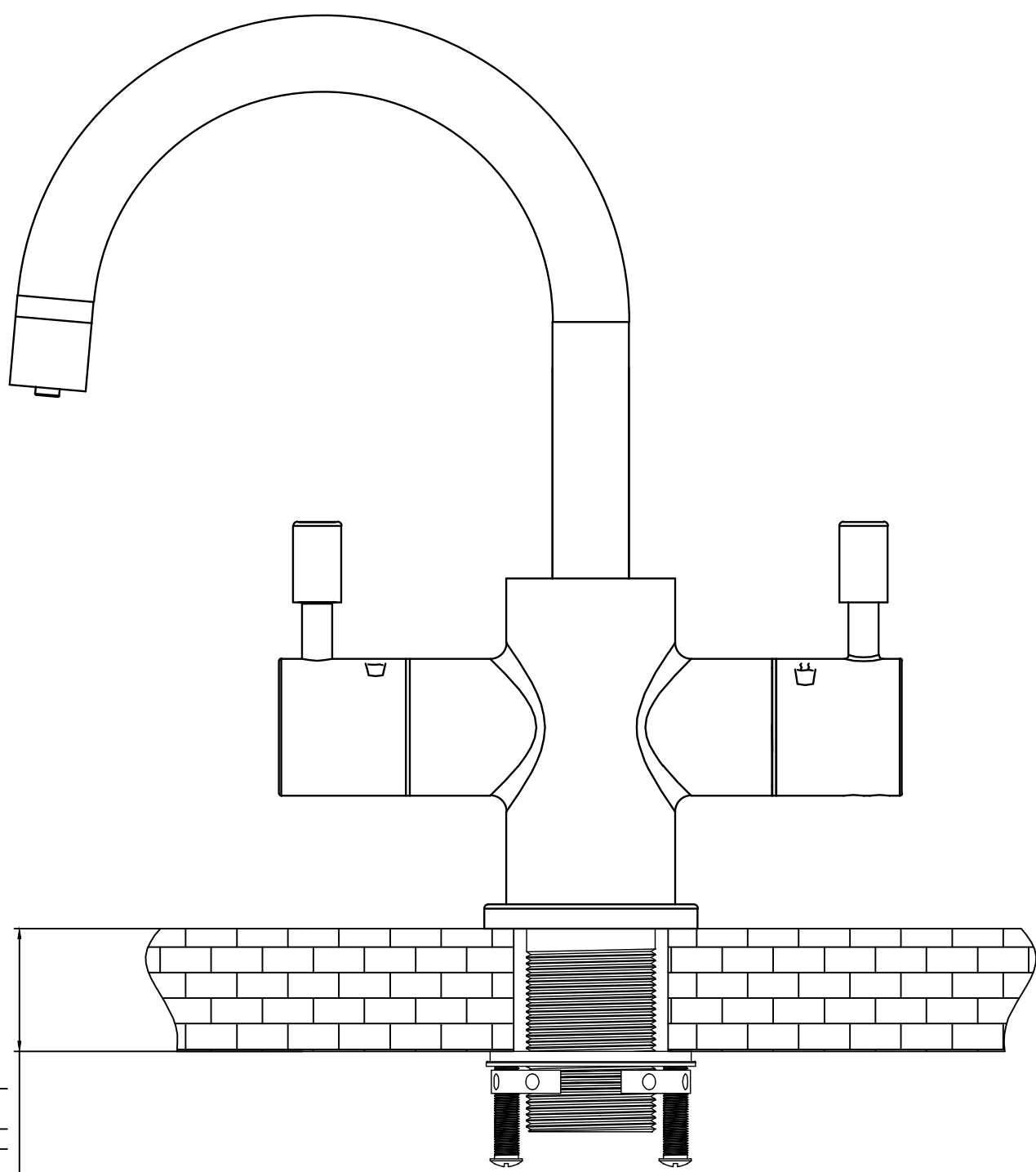
2in 1 boiling water tap

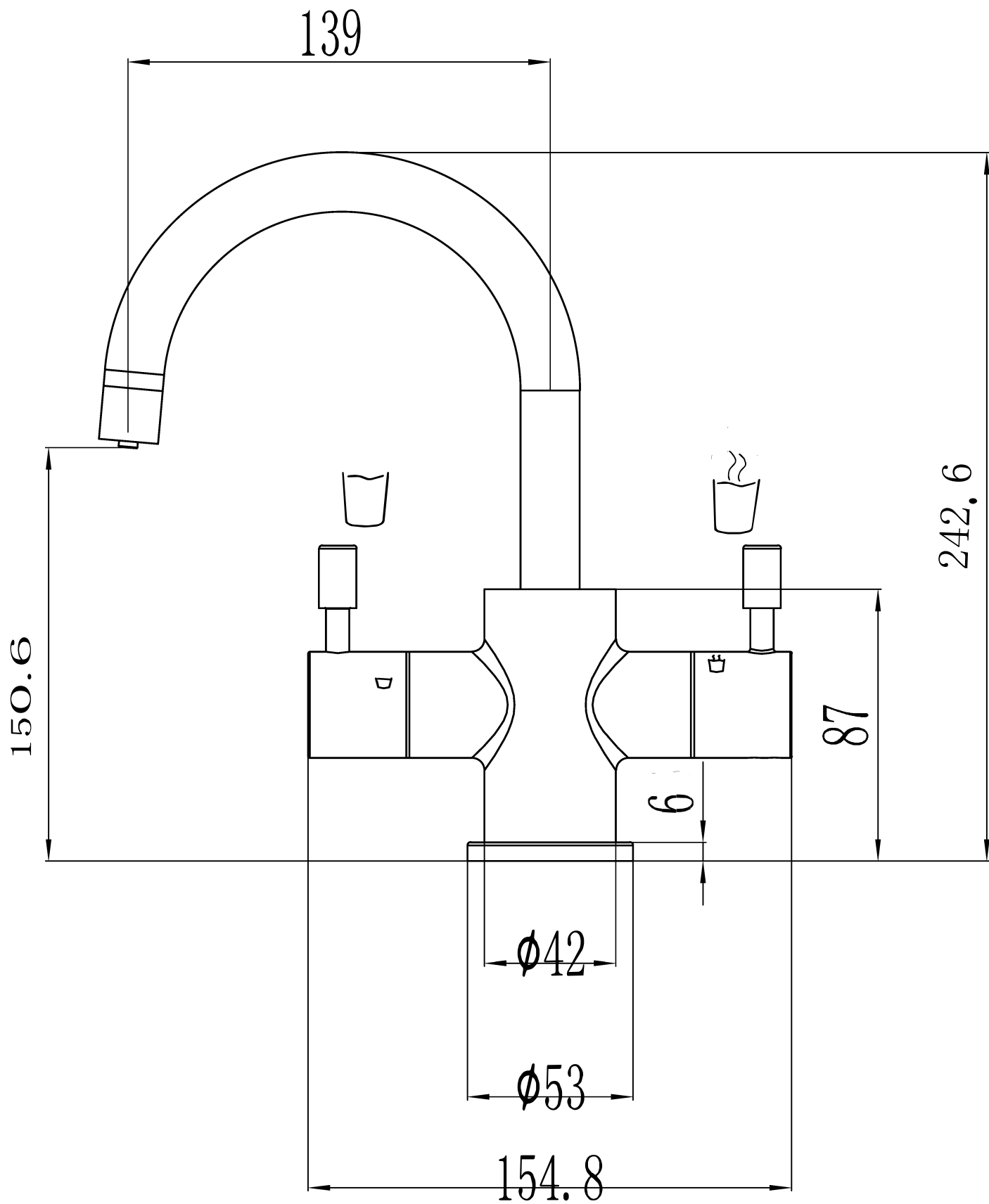


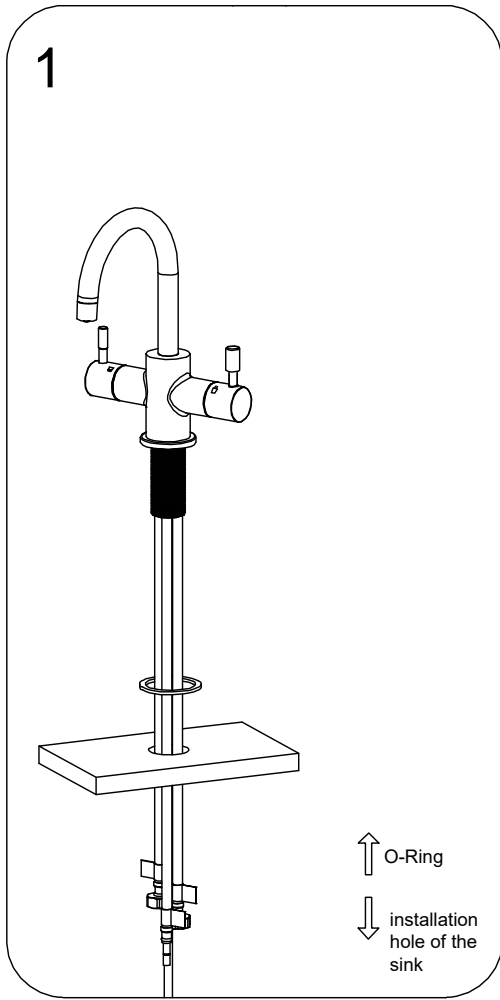
NO.	Description	QTY
A	2in 1 tap body	1
B	O-ring	1
C	Rubber washer	1
D	Metal washer	1
E	Fixing nut	1
F	1/2" to 3/8" connector	2
G	3-way connector	1
1	hose for filtered water	1
2	hose for filtered water in	1
3	hose for filtered water in	1
4	hose for filtered water in	1
5	filtered inlet hose	1
6	Silicon hose for boiling water	1
7	Silicone tube connector	1

Water pressure	Mix water flow	Boiling water flow
0.5bra		
1.0bra		
1.5bra		
2.0bra		
3.0bra		

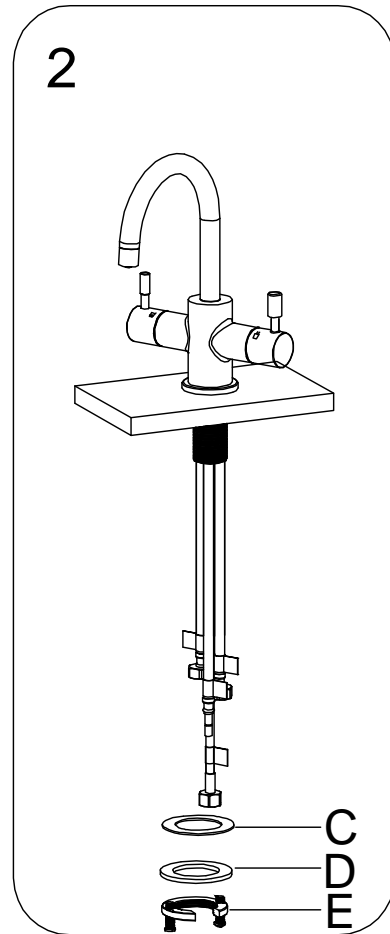
5MM-30MM



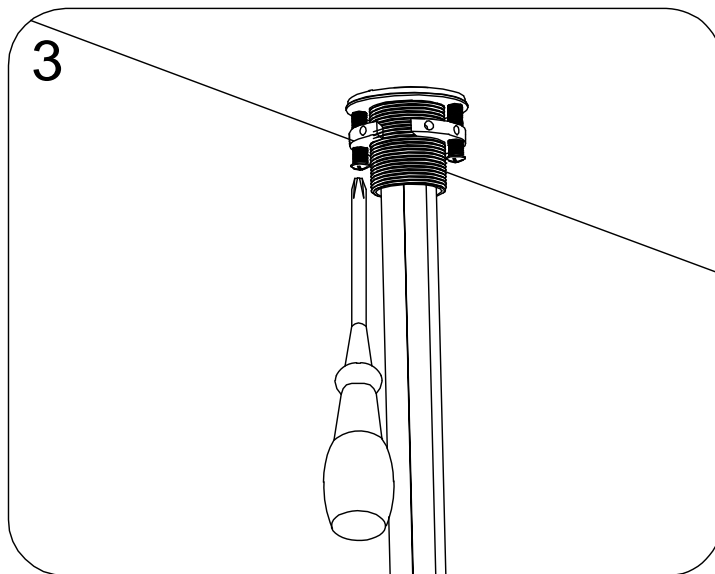




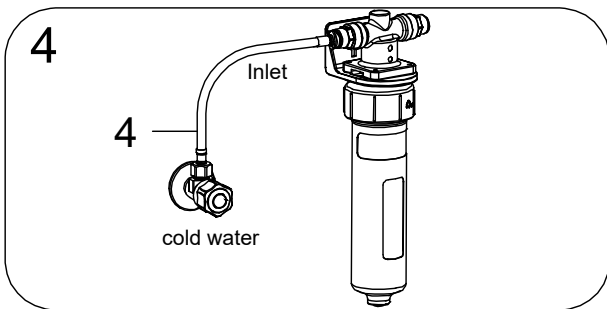
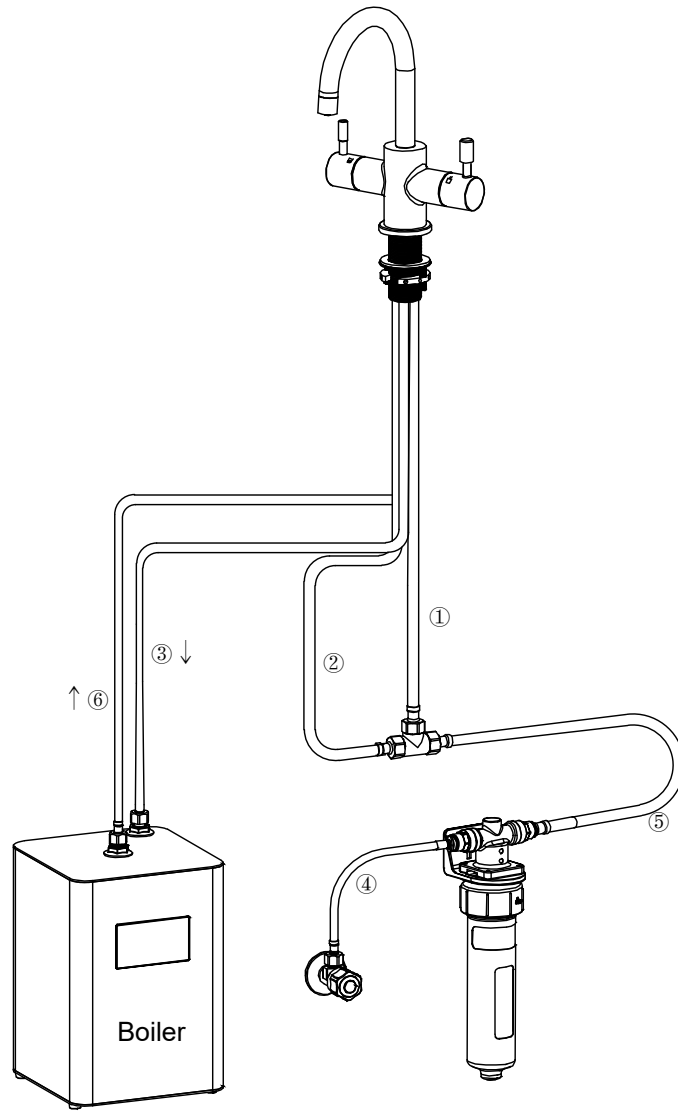
1. Put the O-ring (B) on the bottom of the tap, then put three flexible hose and one silicone tube through the sink hole.



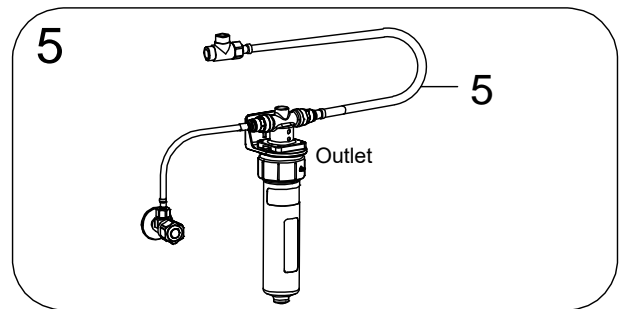
2. Put the rubber washer (C), metal washer (D), and fixing nut (E) through the hose in turn, fix them on the thread connector, tighten them by hands.



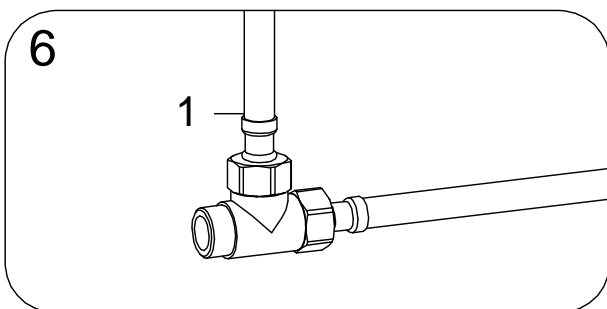
3. Use a cross screwdriver to tighten the two fixing screws.



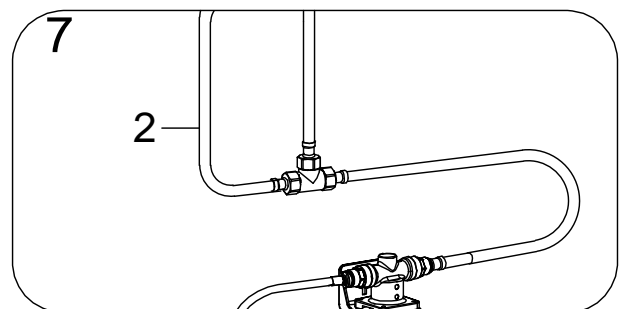
4. Connect the filtered water hose(4) to the cold water house valve and tighten it with a wrench, then insert the other end of the hose(4) into the filter's inlet.



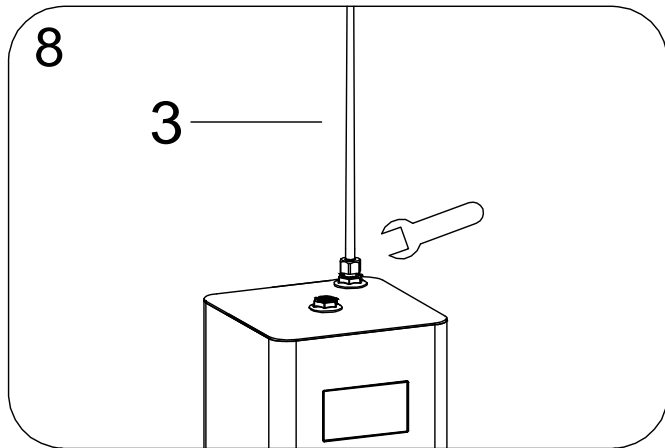
5. Connect the filter outlet hose(5) to one side of 3-way connector, then tighten it with a wrench, then insert the other end of the hose(5) into the filter's outlet.



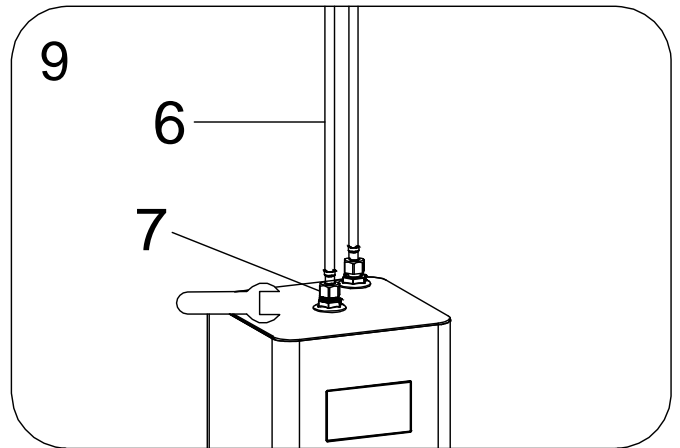
6. Connect the filter water inlet hose(1) to the outlet of 3-way connector, then tighten it with a wrench.



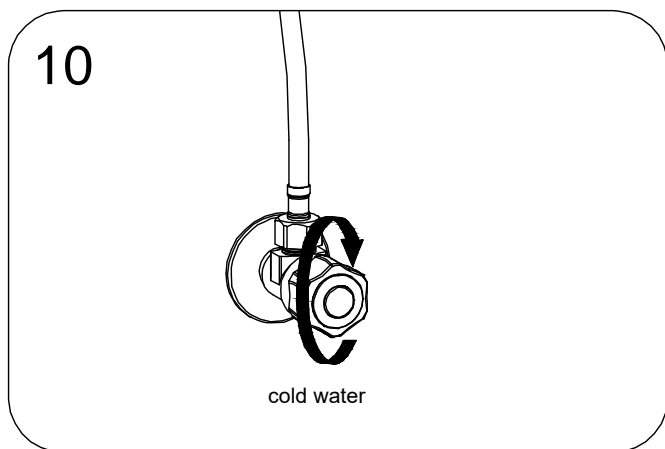
7. Connect the filter water inlet hose(2) to the side of the 3-way connector, and tighten it with wrench.



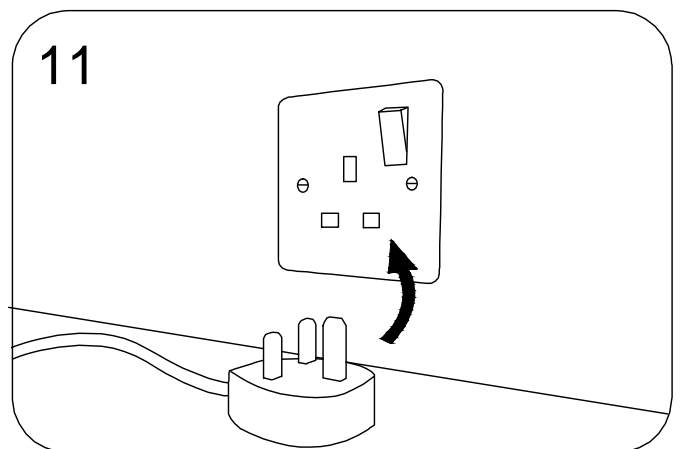
8. Connect the boiling water inlet hose (3) to the boiler's inlet and tighten it with wrench.



9. Connect the boiling water silicone tube (6) and the silicone tube connector (7) to the outlet of the boiler, and tighten it with a wrench.



10. Turn on house valve for cold water, check and ensure no leakage for each connection. Open the handle for boiling water to full the water tank and exhaust air in the tank.



11. Insert the plug of the boiler into the power socket, set according to the machine manual.