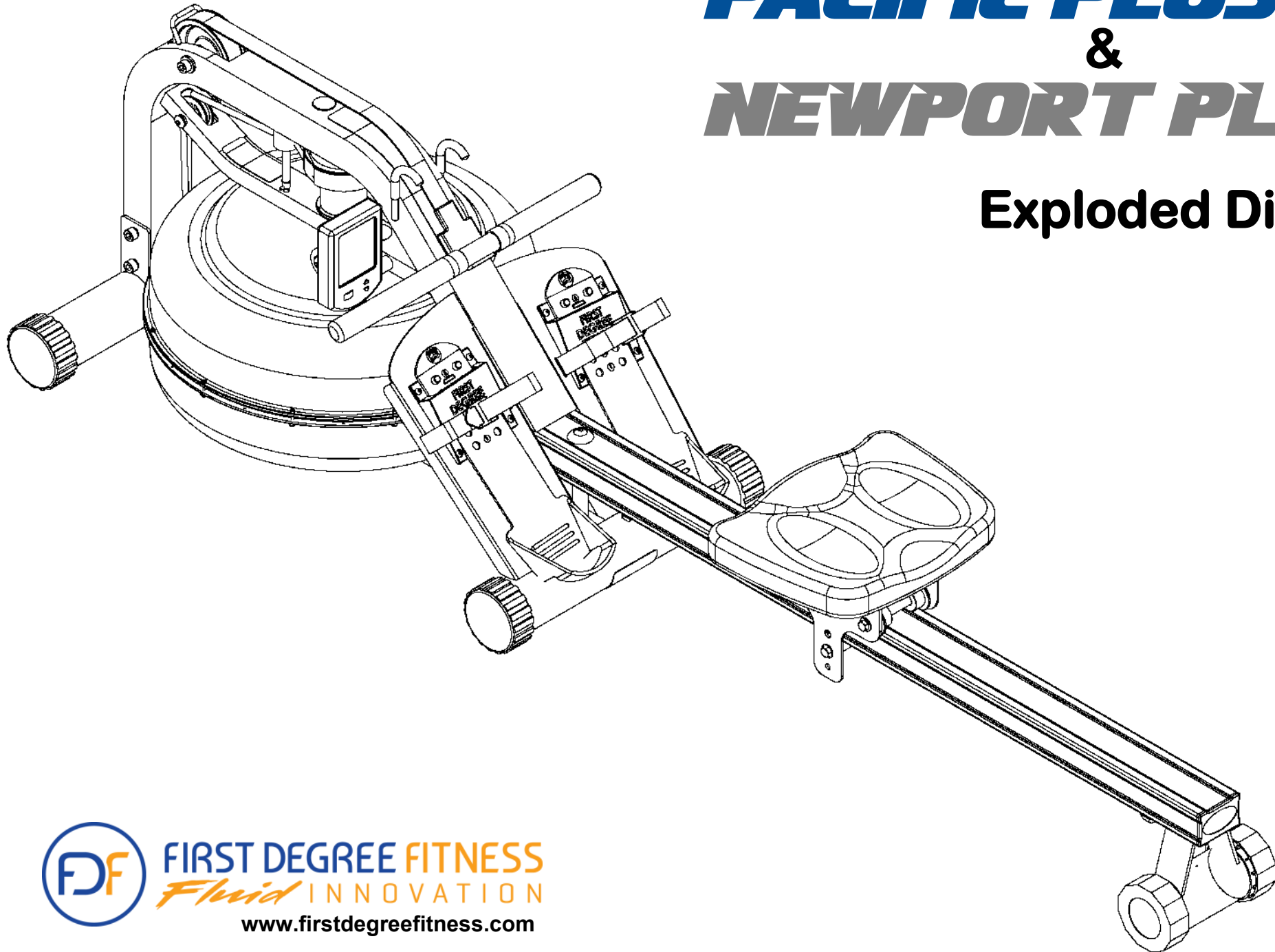
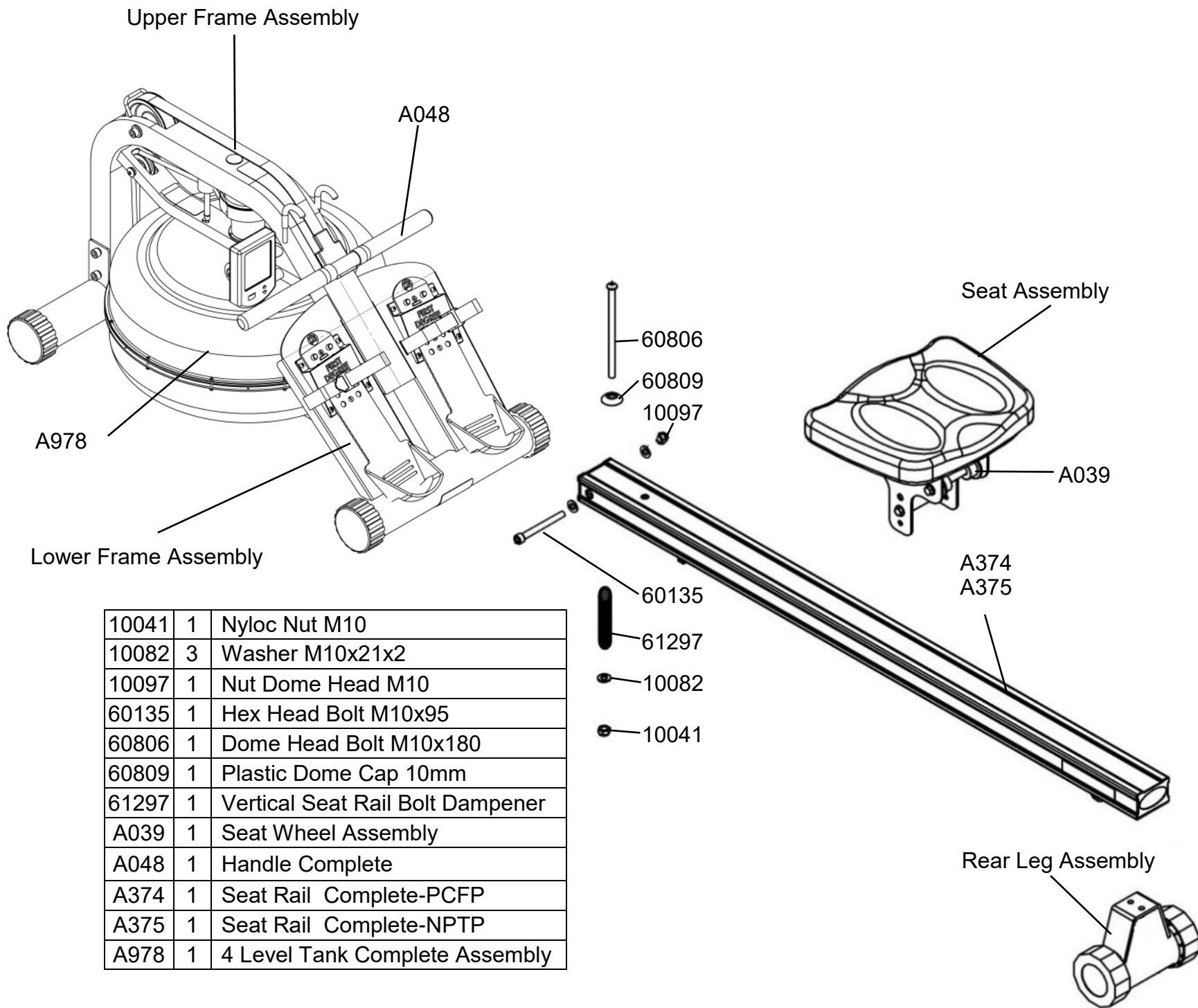


PACIFIC PLUS & **NEWPORT PLUS**

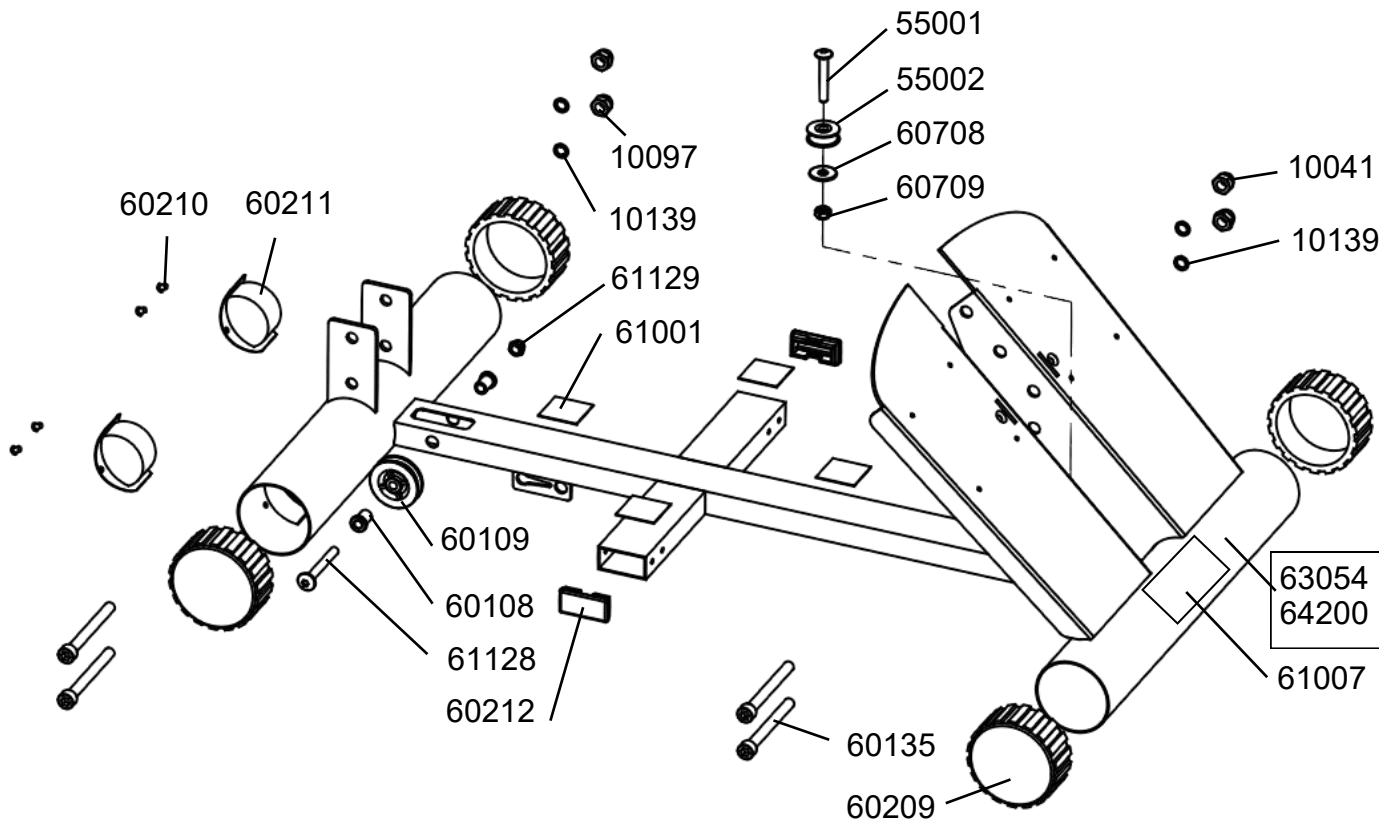
Exploded Diagram





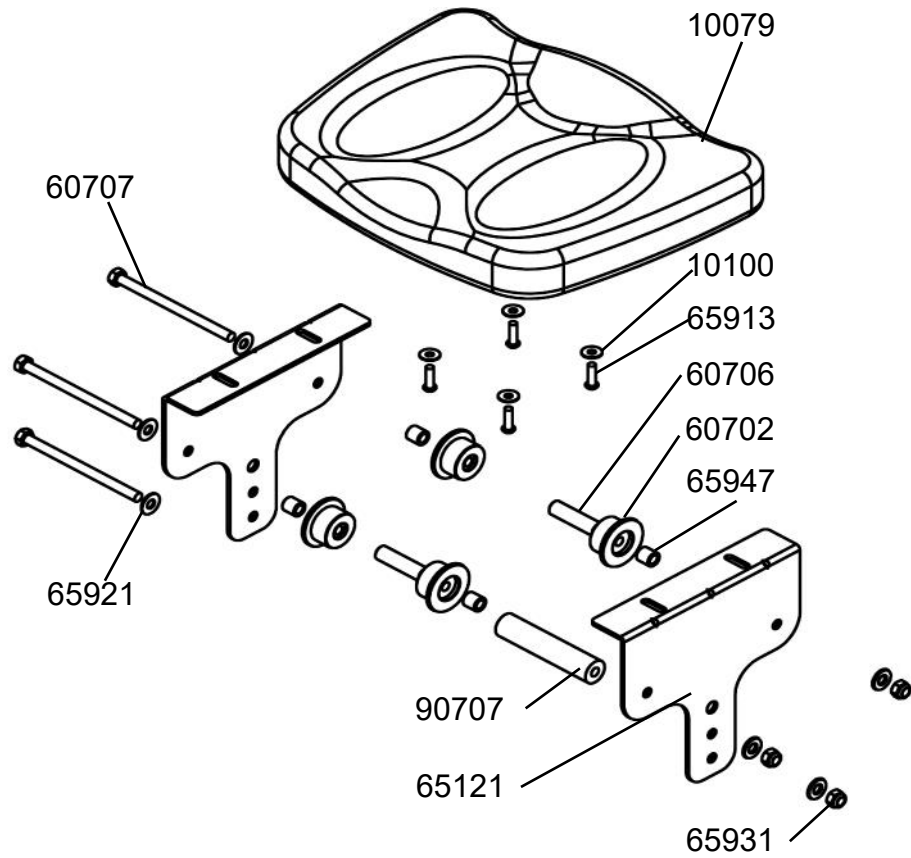
10041	1	Nyloc Nut M10
10082	3	Washer M10x21x2
10097	1	Nut Dome Head M10
60135	1	Hex Head Bolt M10x95
60806	1	Dome Head Bolt M10x180
60809	1	Plastic Dome Cap 10mm
61297	1	Vertical Seat Rail Bolt Dampener
A039	1	Seat Wheel Assembly
A048	1	Handle Complete
A374	1	Seat Rail Complete-PCFP
A375	1	Seat Rail Complete-NPTP
A978	1	4 Level Tank Complete Assembly

Lower Main Frame



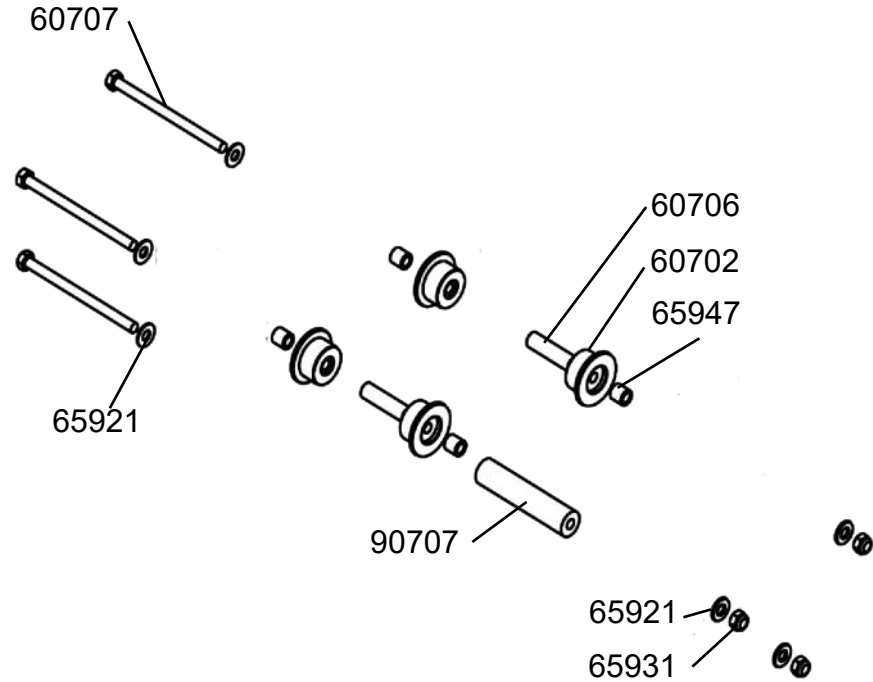
10041	2	Nyloc Nut M10
10097	2	Nut Dome Head M10
10139	4	Spring Washer M10
55001	1	Dome Head Bolt M8x50
55002	1	Small Pulley 8mmx31.5mm
60108	2	Bungee Pulley Spacer 8mm
60109	1	Bungee Pulley 50mm
60135	4	Hex Head Bolt M10x95
60209	4	End Cap 76.2mm Round
60210	4	Transport Wheel Fastener
60211	2	Transport Wheel 76.2
60212	2	End Cap 25x50mm
60708	1	Washer M8x19x1.6
60709	1	Nyloc Nut M8
61001	4	Tank Bonding Strip 3M-VHB
61007	1	Decal - Lower Main Frame Warning
61128	1	Dome Head Bolt M8x65
61129	1	Nut Dome Head M8
63054	1	Lower Frame - PCFP
64200	1	Lower Frame - NPTP

Seat Assembly



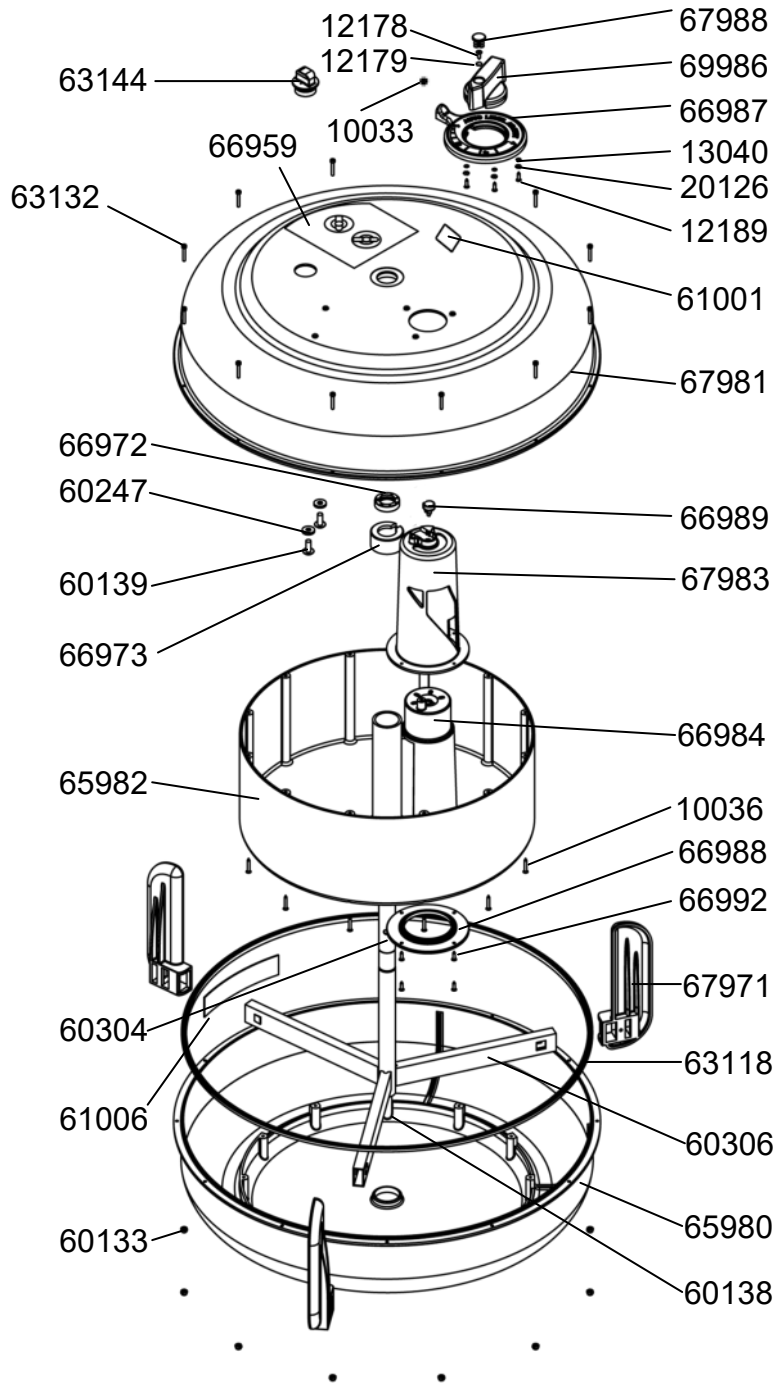
10079	1	Seat LS-E28
10100	4	Washer M6x16x1 - B
60702	4	Seat Wheel - HS
60706	2	Inner Axle Bushing Long
60707	3	Hex Bolt M8x120mm
65121	2	Seat Frame Bracket
65913	4	Dome Head Bolt M6x20 -B
65921	6	Washer M8.5x19x1.6t - B
65931	3	Nyloc Nut M8 -B
65947	4	Seat Wheel Short Spacer 12.7x8.1x13 - B
90707	1	Lower Seat Wheel Axle Spacer

A039 Seat Wheel Assembly



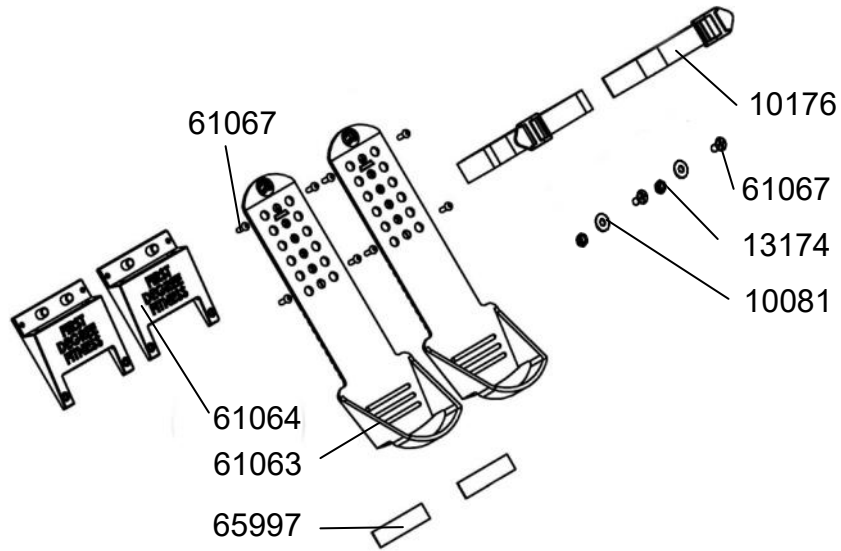
60702	4	Seat Wheel - HS
60706	2	Inner Axle Bushing Long
60707	3	Hex Bolt M8x120mm
65921	6	Washer M8.5x19x1.6t - B
65931	3	Nyloc Nut M8 - B
65947	4	Seat Wheel Short Spacer 12.7x8.1x13 - B
90707	1	Lower Seat Wheel Axle Spacer

A978 - 4 Level Tank Complete Assembly



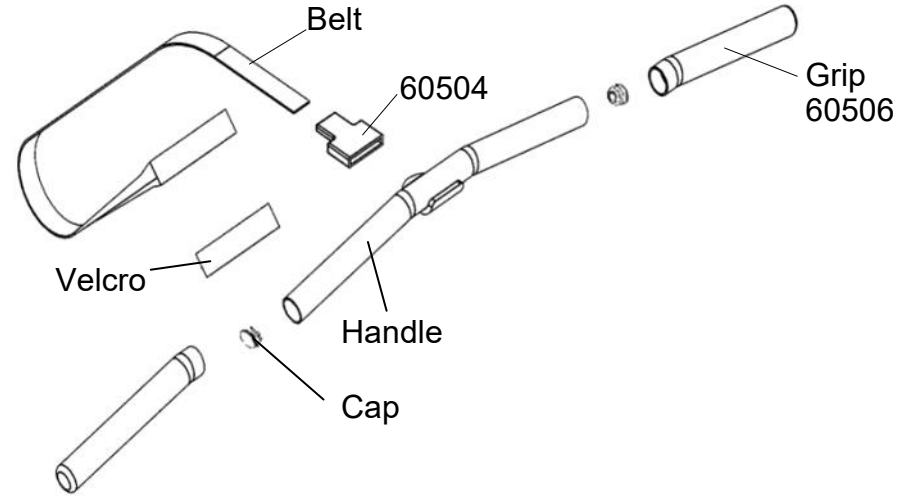
FDF PN	Qty	Description
10033	1	Washer M4.2x10x1t SUS
10036	12	Flat Tapping Screw M3x20 - SUS
12178	1	Dome Head Bolt M3x10 SUS
12179	1	Washer M3x8x1t SUS
12189	3	Tank Internal Screw M4x10 SUS
13040	3	O Ring
20126	3	Plastic Washer M4x12
60133	12	Nyloc Nut M3 - SUS
60138	1	Impeller End Cap
60139	2	Tank Internal Screw M6x15 - SUS
60247	2	O Ring 15.6X6.7X3.5mm
60304	1	Flywheel Upper Shaft
60306	1	Flywheel Lower Shaft
61001	1	Tank Bonding Strip 3M-VHB 40x40x1mm
63118	1	Tank Large Ring Seal -Yellow 499x5.8
63132	12	Allen Key Bolt M3x20 - SUS
63144	1	Tank Plug for HS Tank
65980	1	Lower Tank Shell with Decal #61006
65982	1	Inner Reserve Tank Shell
66973	1	Rubber Seal
66984	1	Tank Adjuster Inner Valve
66987	1	Knob Base with Decal #66986
66988	1	4L/5L Valve Base
66989	1	Shaft for Valve - L4 / L5
66992	4	Flat Tapping Screw M3x16 - SUS
67971	3	4L/5L Impeller
67981	1	Upper Tank Shell with Decal #66959 & Double Lip Seal # 66972
67983	1	Tank Adjuster Outer Valve & Rubber Spaer#66974 & M6 Ball Plunger#66976
67988	1	Knob Cap
69986	1	Adjuster Knob

Footplate Slider Assembly



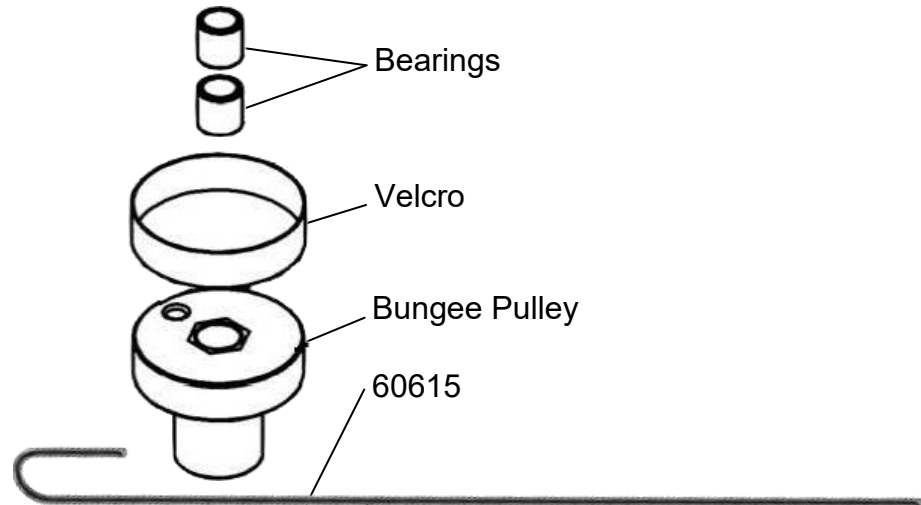
10081	2	Washer M6x16x1
10176	2	Foot Strap & Buckle
13174	2	Nyloc Nut M5
61063	2	Footplate Slider with Velcro #65997
61064	2	Footplate Slider Base 120x111x22.8
61067	10	Dome Head Bolt M5x15

A048 Handle Complete



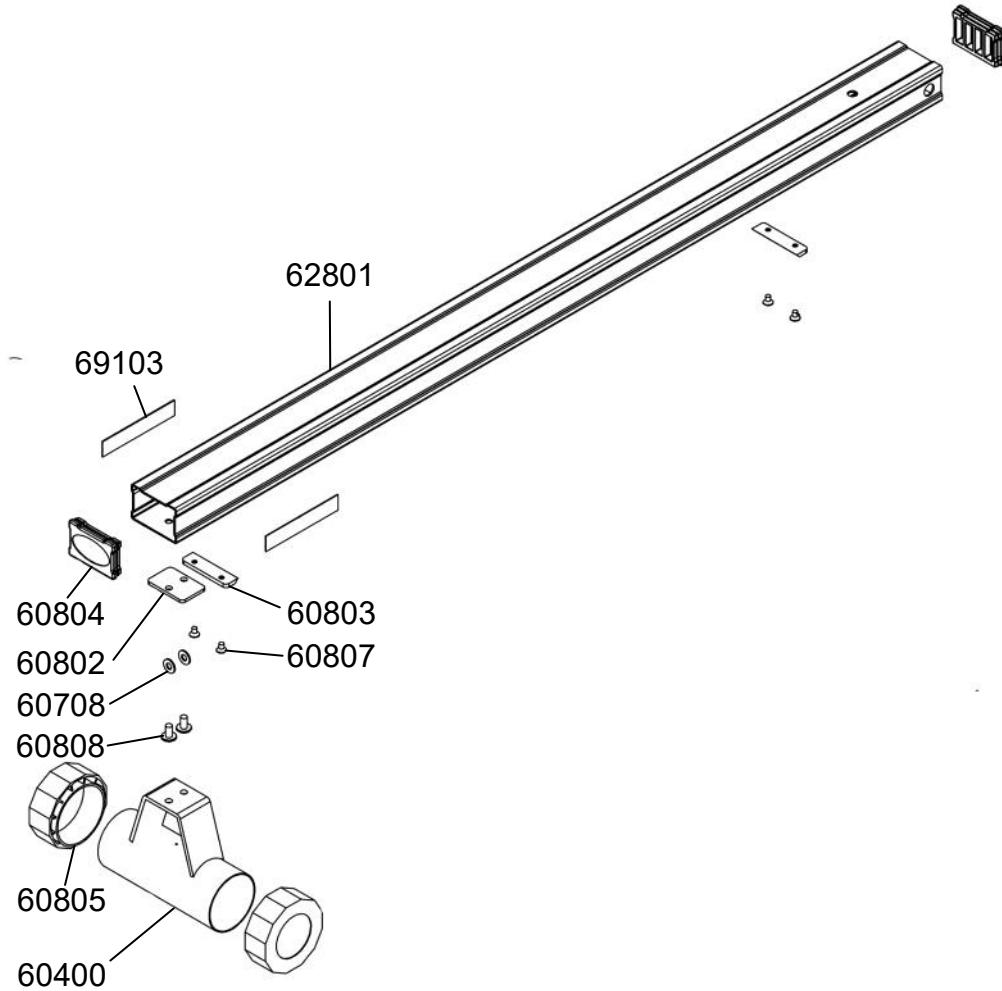
60504	1	Handle/Belt Rubber Cover
60506	2	Handle Grip

A041 Belt Bungee Pulley Complete



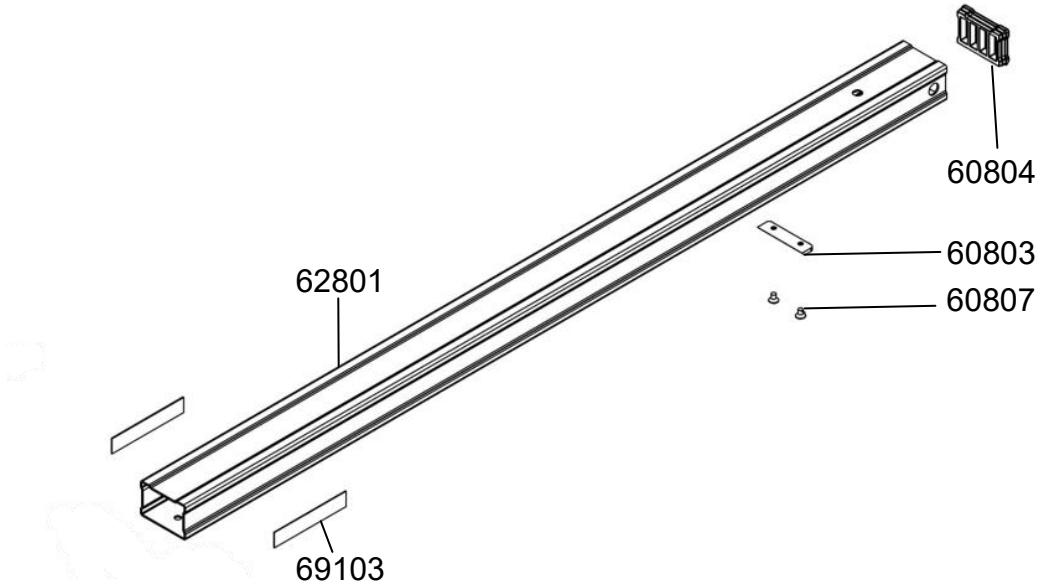
60900	1	Belt Bungee Pulley Complete & Velcro & One Way Bearings #90136
60615	1	Bungee Cord 8mm x 1950 & Inner Clip #65922

Rail Assembly & Rear Leg Assembly-PCFP



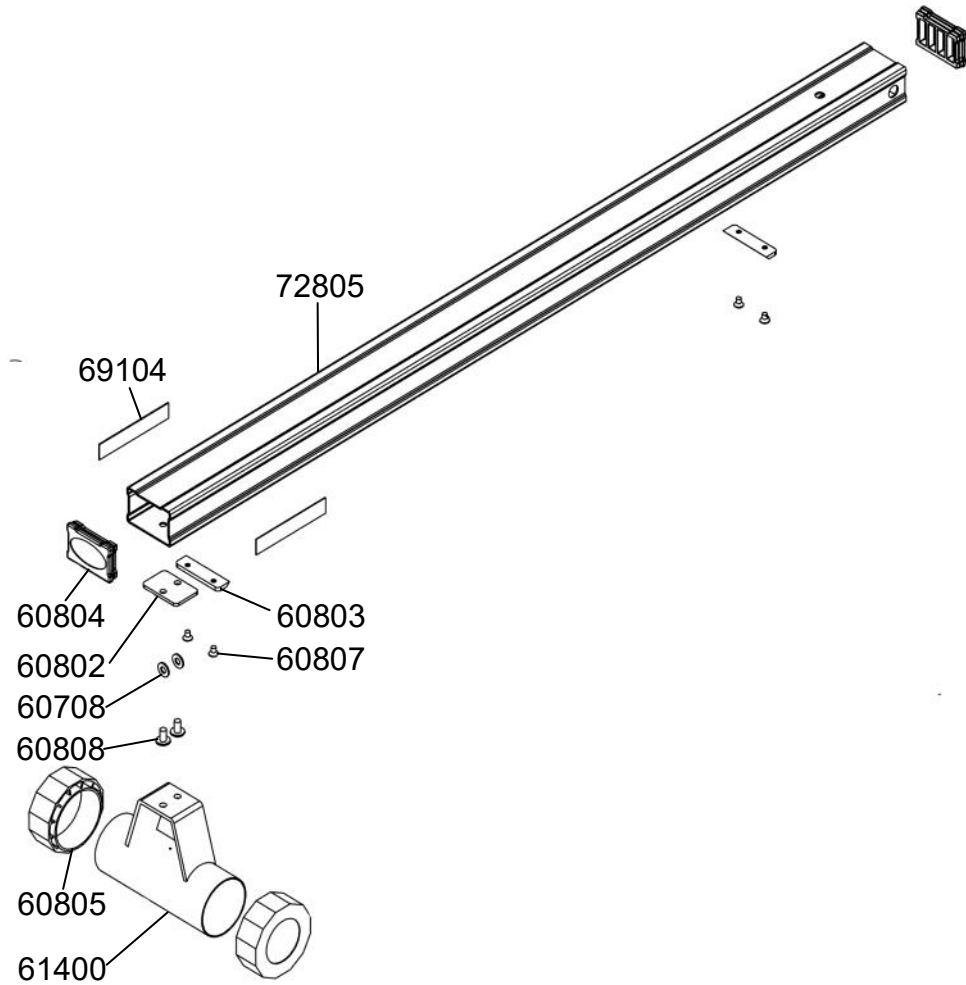
60400	1	Rear Leg
60708	2	Washer M8x19x1.6
60802	1	Rear Leg Internal Mounting Plate
60803	2	Rubber Bump Stop - Seat Rail
60804	2	Rubber End Cap 75x50 - Seat Rail
60805	2	Rear Leg Adjustable Height End Caps
60807	4	Counter Sunk Bolt M6x10
60808	2	Dome Head Bolt M8x15
62801	1	Seat Rail with Decal #69103- PCFP

A374 Seat Rail Complete-PCFP



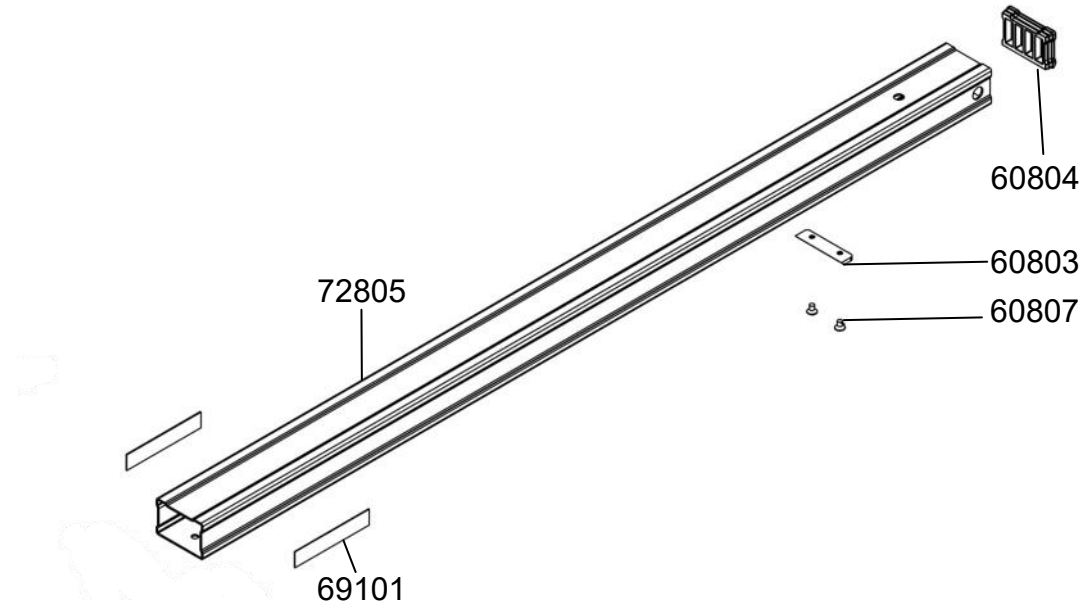
60803	1	Rubber Bump Stop - Seat Rail
60804	1	Rubber End Cap 75x50 - Seat Rail
60807	2	Counter Sunk Bolt M6x10
62801	1	Seat Rail with Decal #69103- PCFP

Rail Assembly & Rear Leg Assembly-NPTP



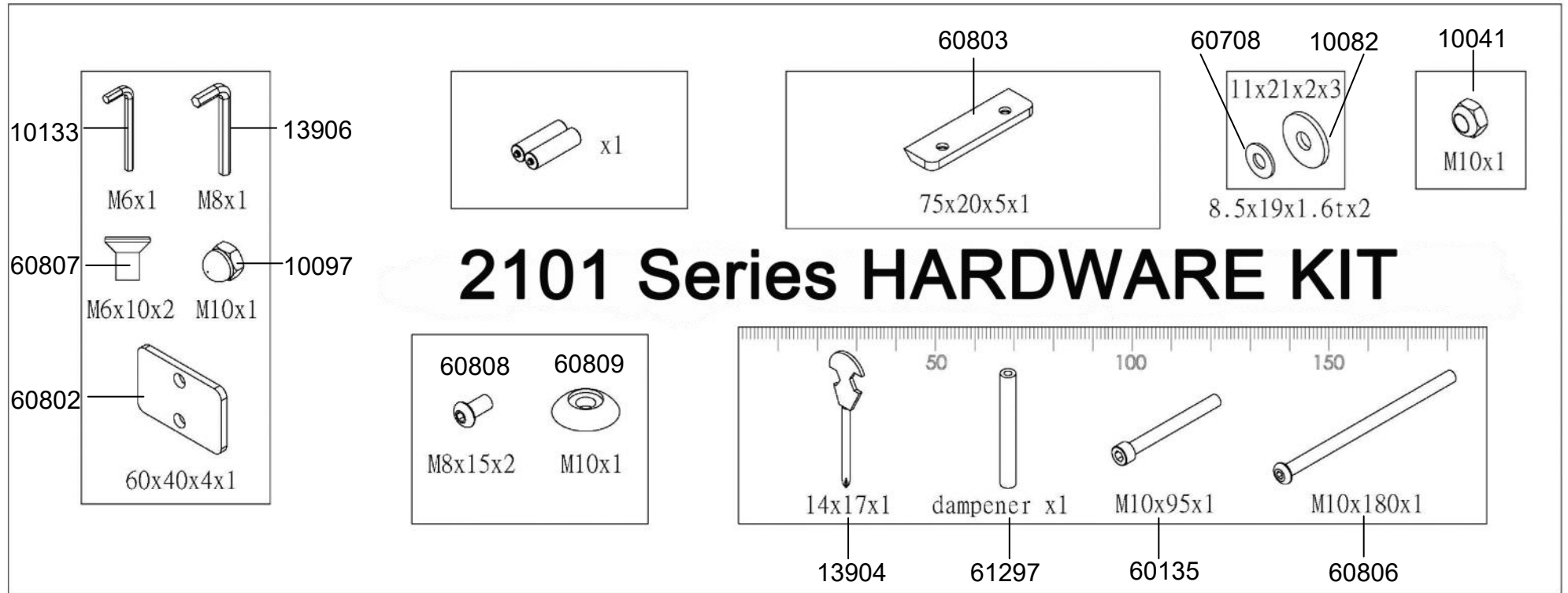
60708	2	Washer M8x19x1.6
60802	1	Rear Leg Internal Mounting Plate
60803	2	Rubber Bump Stop - Seat Rail
60804	2	Rubber End Cap 75x50 - Seat Rail
60805	2	Rear Leg Adjustable Height End Caps
60807	4	Counter Sunk Bolt M6x10
60808	2	Dome Head Bolt M8x15
61400	1	Rear Leg
72805	1	Seat Rail with Decal #69104 - NPTP

A375 Seat Rail Complete-NPTP



60803	1	Rubber Bump Stop - Seat Rail
60804	1	Rubber End Cap 75x50 - Seat Rail
60807	2	Counter Sunk Bolt M6x10
72805	1	Seat Rail with Decal #69104- NPTP

HPAC



2101 Series HARDWARE KIT

10041	1	Nyloc Nut M10
10082	3	Washer M10x21x2
10097	1	Nut Dome Head M10
10133	1	Allen Key 6mm
10201	2	AA Battery
13904	1	Multi-Tool
13906	1	Allen Key 8mm
60135	1	Hex Head Bolt M10x95
60708	2	Washer M8x19x1.6
60802	1	Rear Leg Internal Mounting Plate
60803	1	Rubber Bump Stop - Seat Rail
60806	1	Dome Head Bolt M10x180
60807	2	Counter Sunk Bolt M6x10
60808	2	Dome Head Bolt M8x15
60809	1	Plastic Dome Cap 10mm
61297	1	Vertical Seat Rail Bolt Dampener