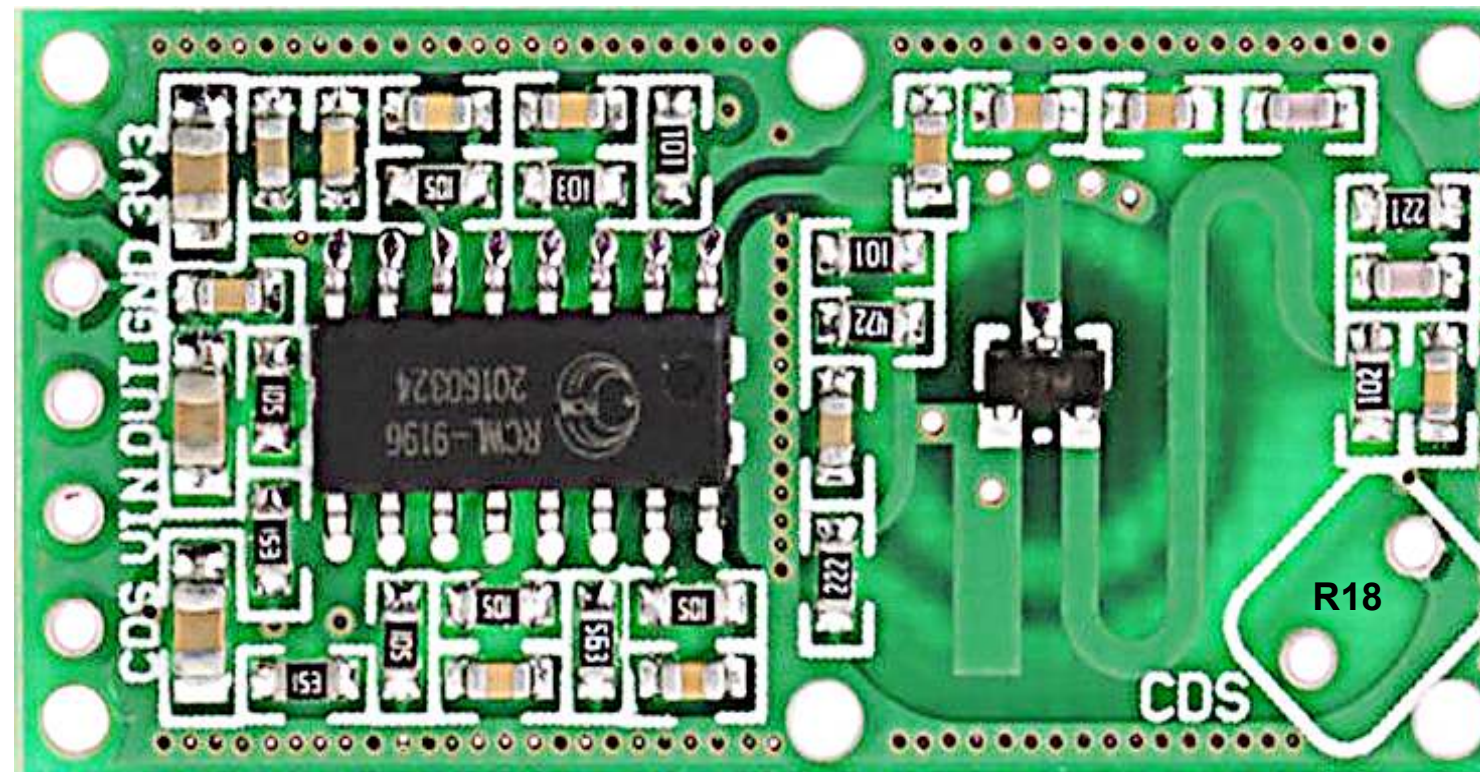
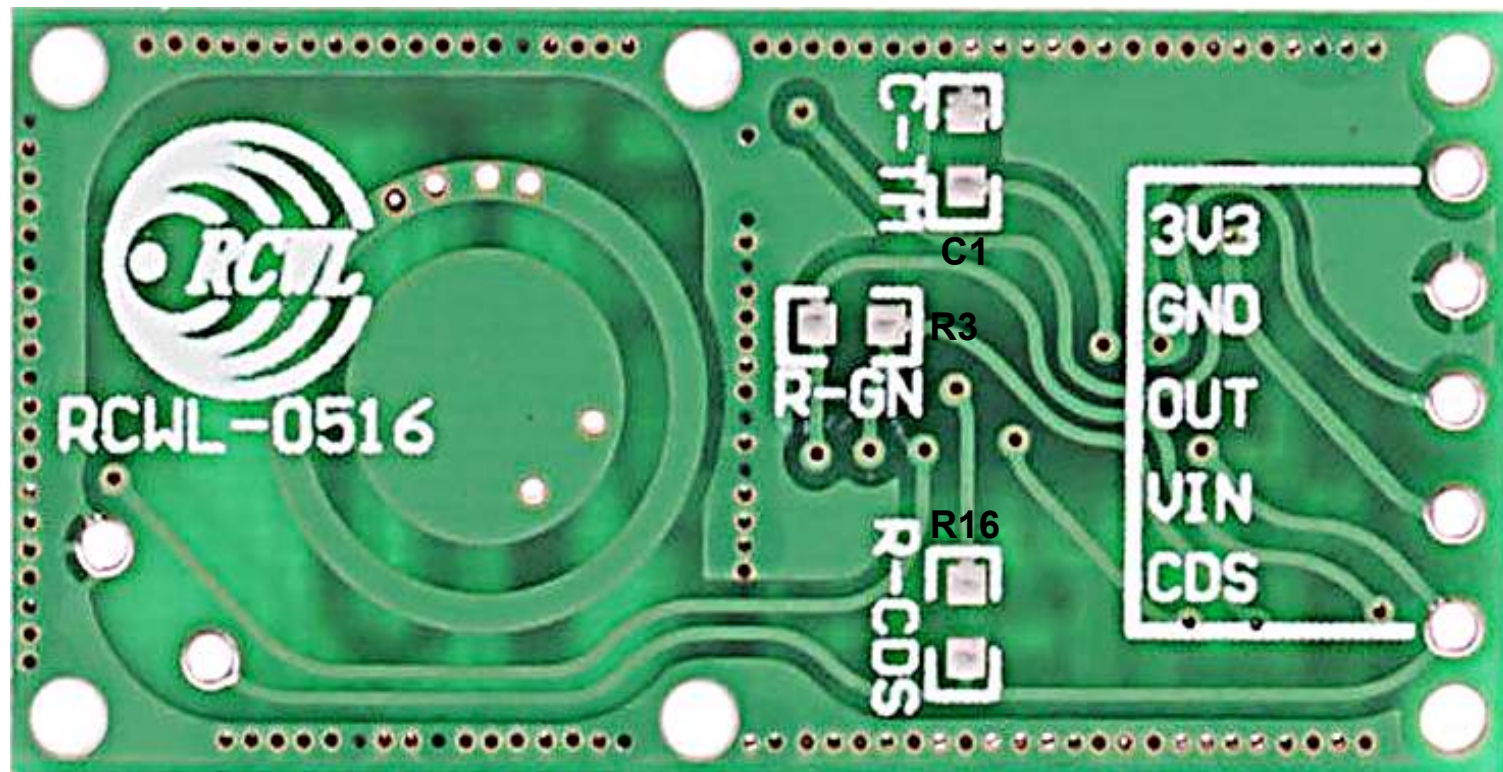
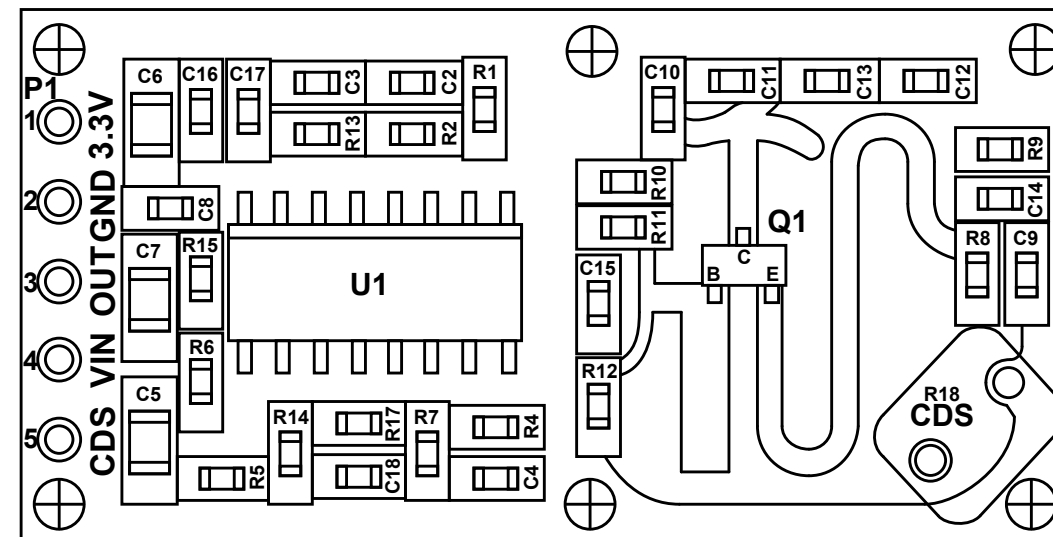
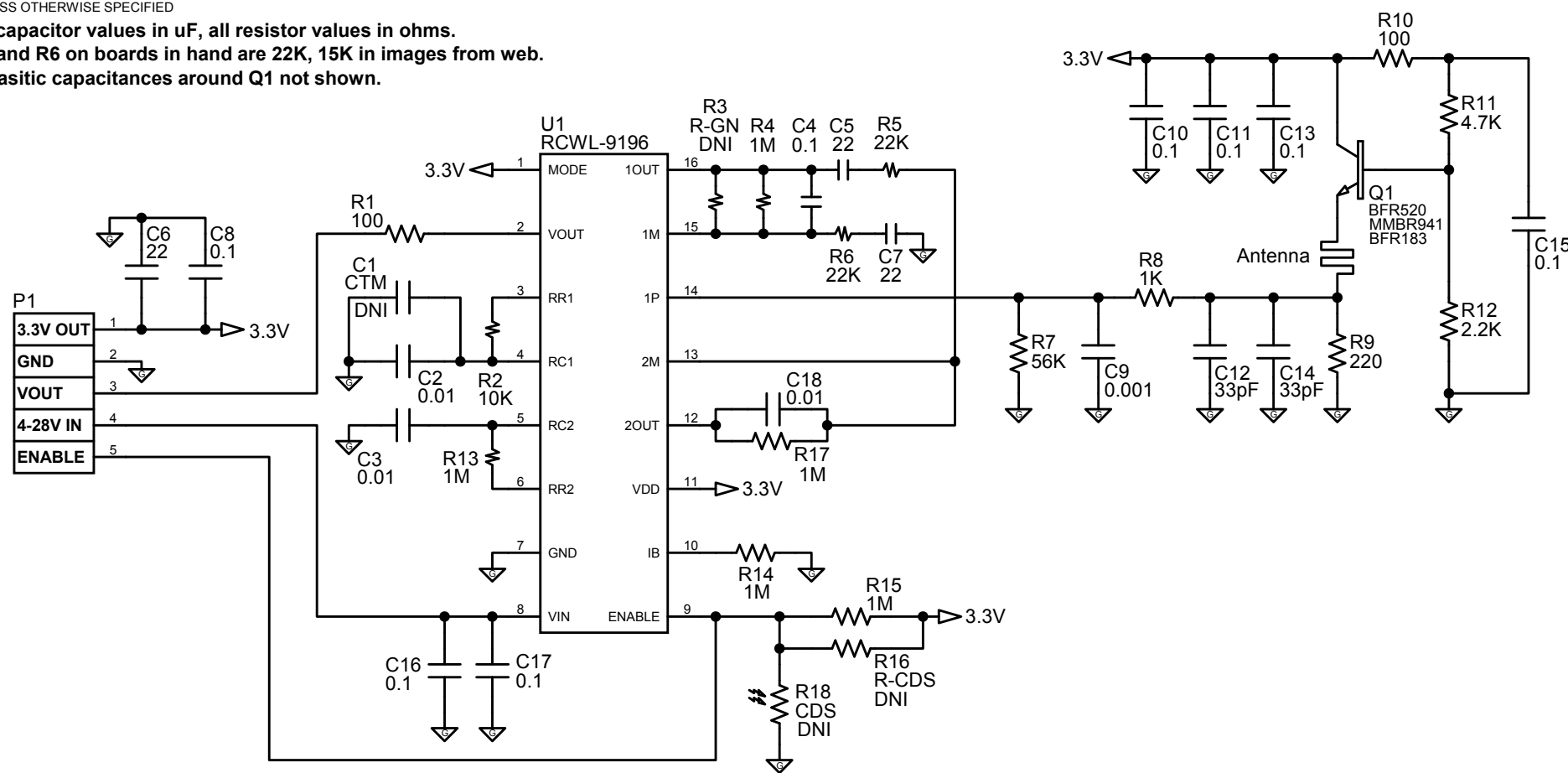


NOTES: UNLESS OTHERWISE SPECIFIED

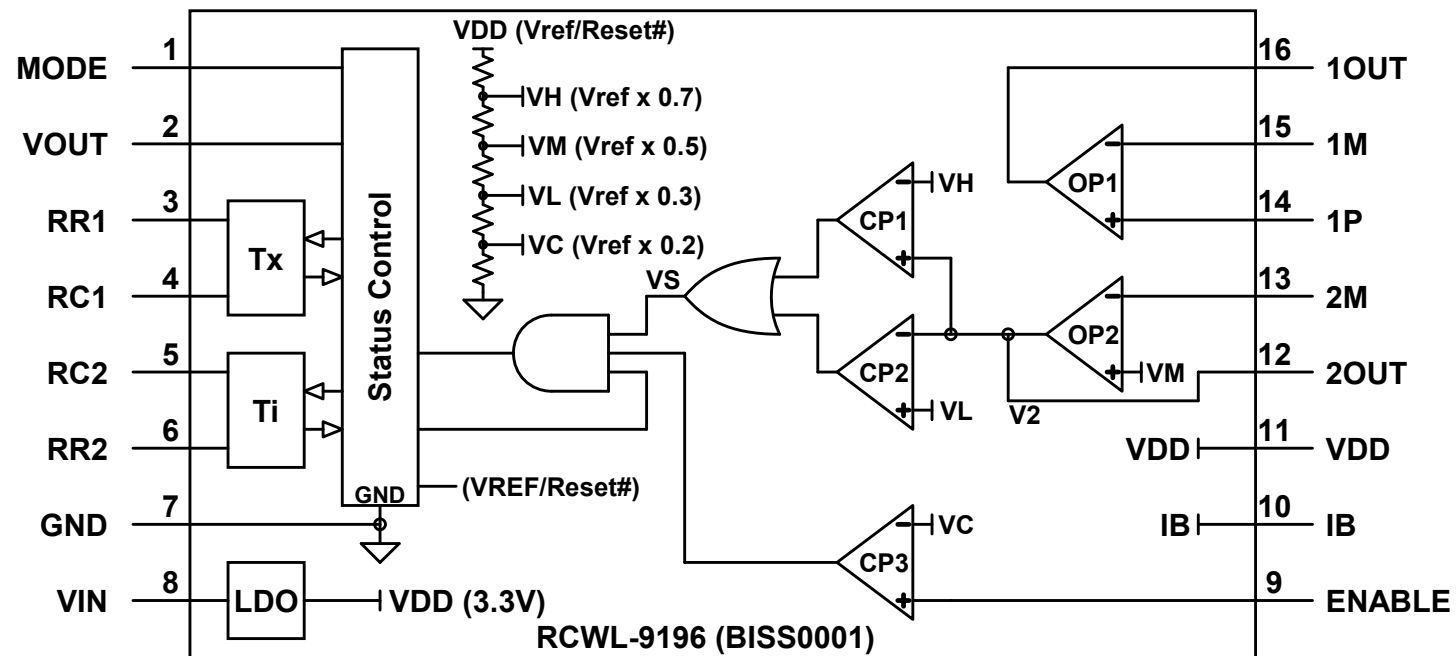
1. All capacitor values in uF, all resistor values in ohms.
2. R5 and R6 on boards in hand are 22K, 15K in images from web.
3. Parasitic capacitances around Q1 not shown.

| REVISION HISTORY | | | |
|------------------|-------------|----------|------|
| REV | DESCRIPTION | APPROVED | DATE |
| | | | |



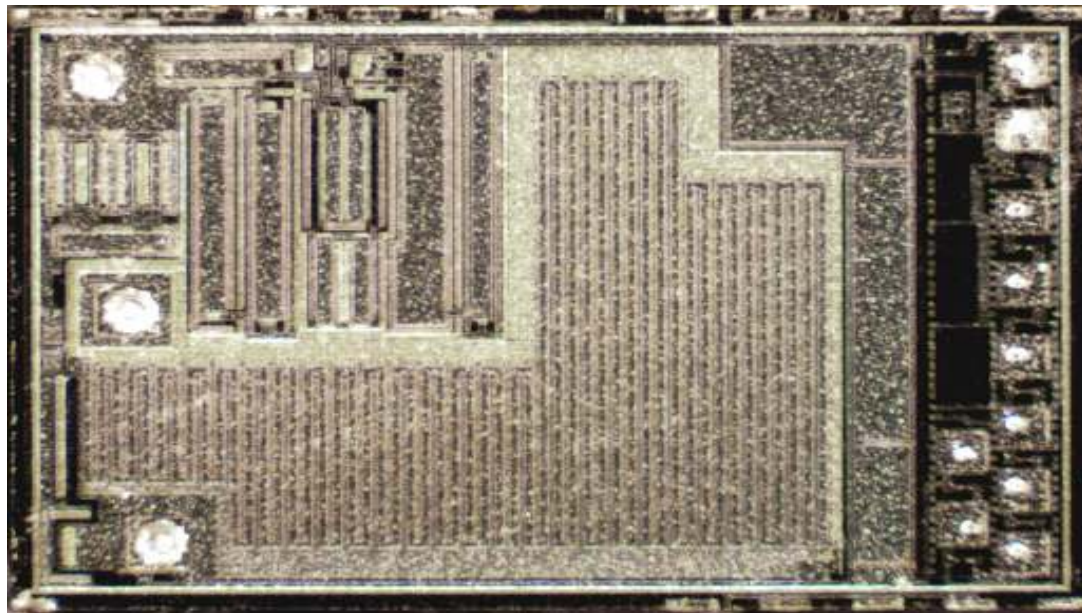
| APPROVALS | | DATE | TITLE | |
|---------------|----------|------------|--|--------------------------------|
| DRAWN | J TAYLOR | 2017/01/01 | RCWL-0516 3.2GHz motion detector (U1 is RCWL-9196) | |
| CHECKED | | | | |
| ENGINEER | | | | |
| PROJ ENGINEER | | | SIZE | FSCM NO. |
| APPROVED | | | B | DRAWING NO. 0242 |
| QA | | | SCALE | NONE |
| | | | © 2018 TES | MODIFIED: 01/07/18 11:28:58 AM |
| | | | SHEET | 1 OF 3 |

| REVISION HISTORY | | | |
|------------------|-------------|----------|------|
| REV | DESCRIPTION | APPROVED | DATE |
| | | | |



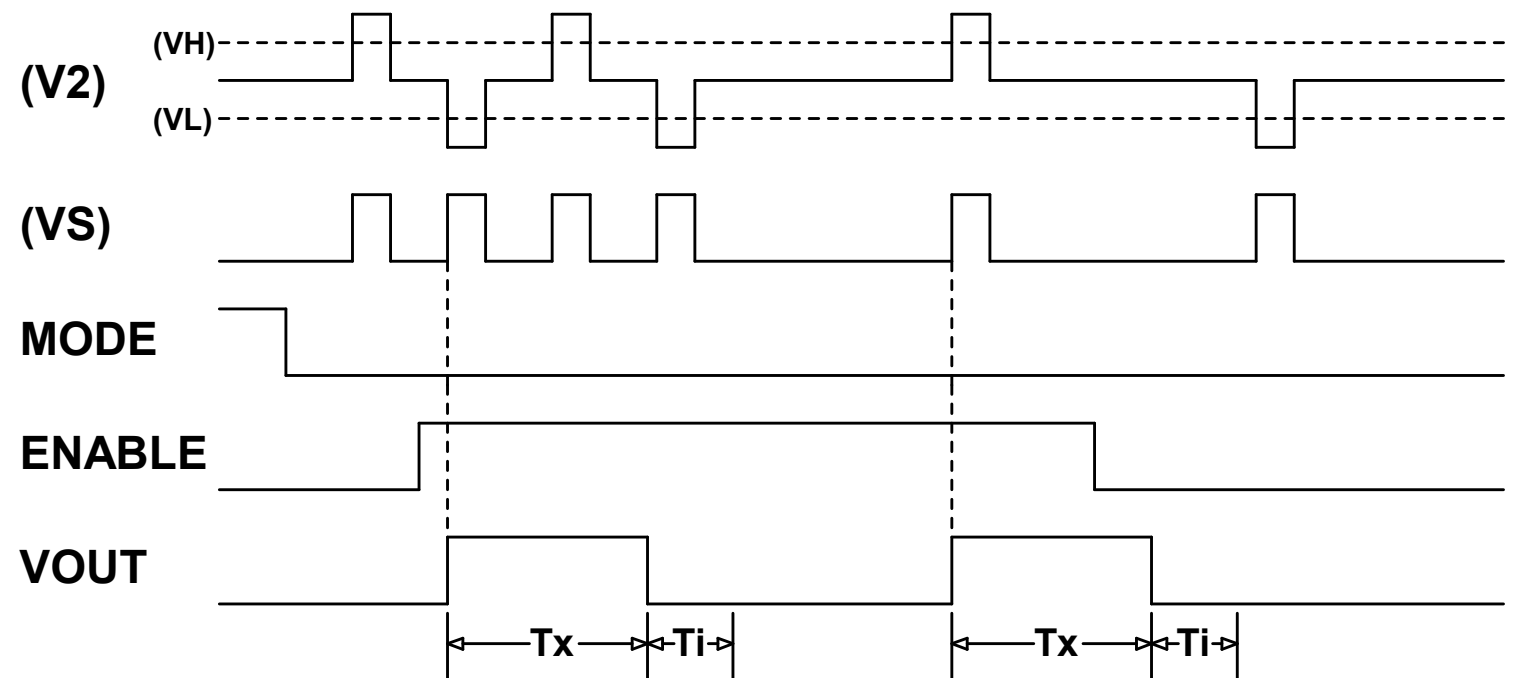
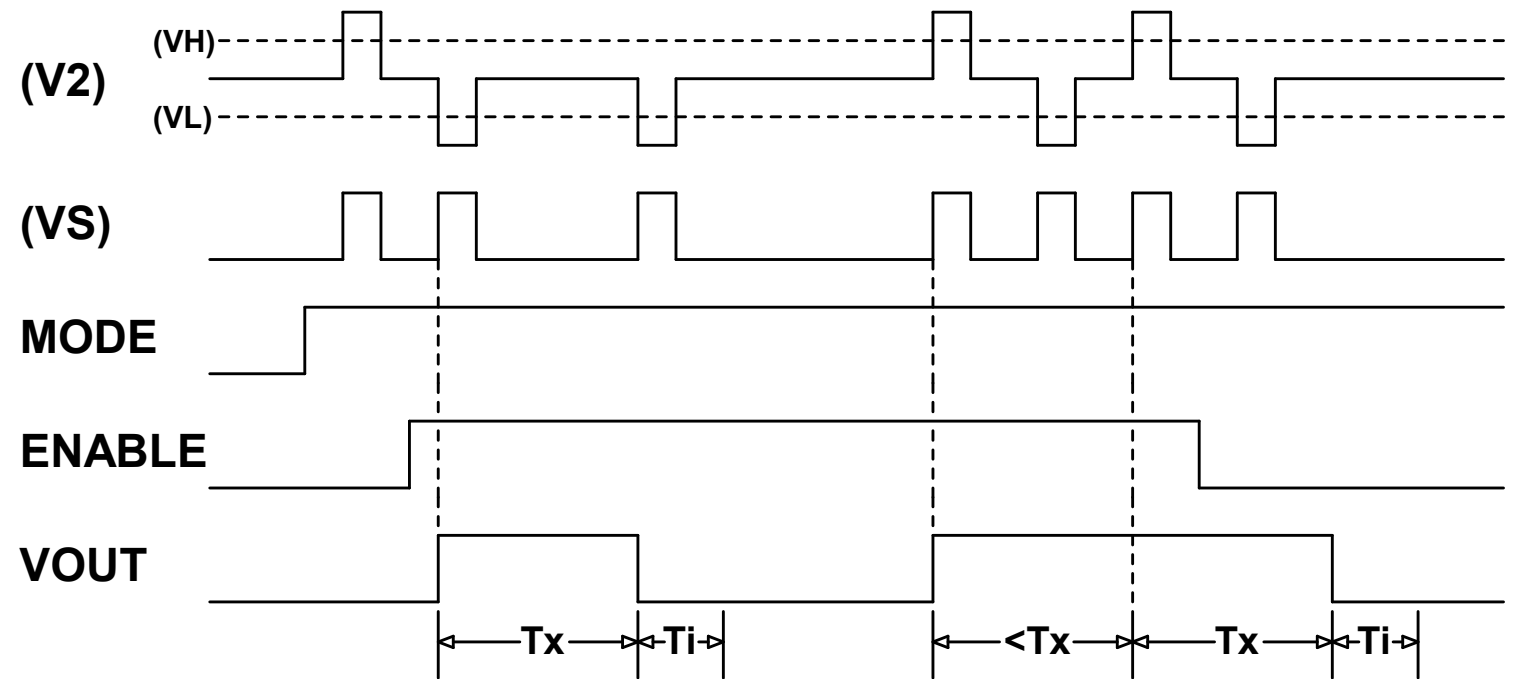
Notes

1. BISS0001: 8 is Vref/Reset# and 11 is VDD in (3-5V)
2. MODE: 1 = Re-triggerable, 0 = Non Re-triggerable
3. IB: Op-amp input bias current setting
4. Tx: Time VOUT remains high after triggering, $\sim 24576 \times R \times C$
5. Ti: During this time period, triggering is inhibited, $\sim 24 \times R \times C$



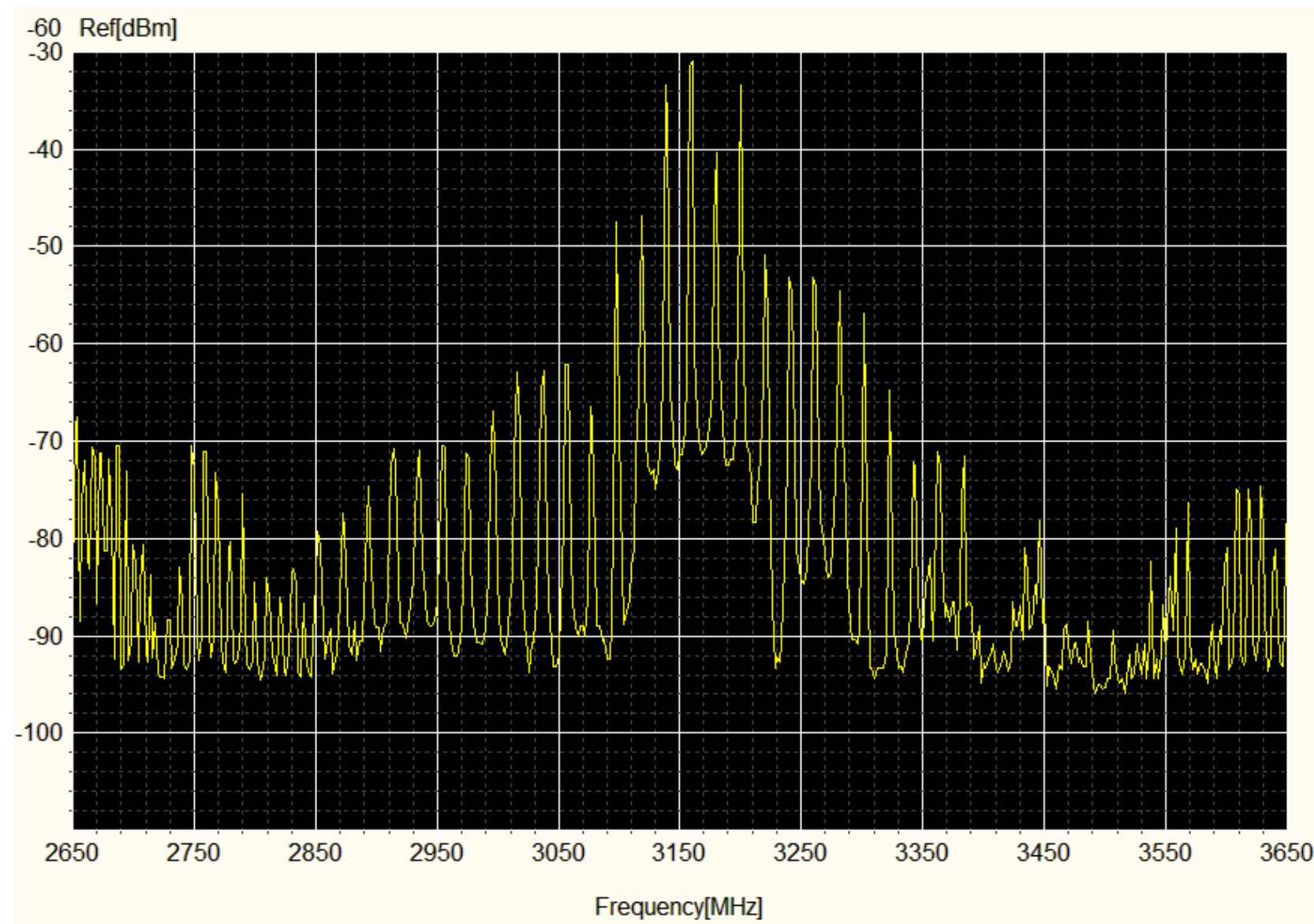
MODE = 1 = Retriggerable

MODE = 0 = Non-Retriggerable

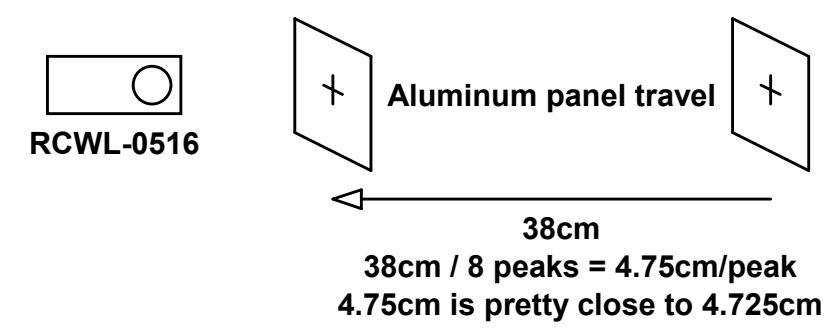
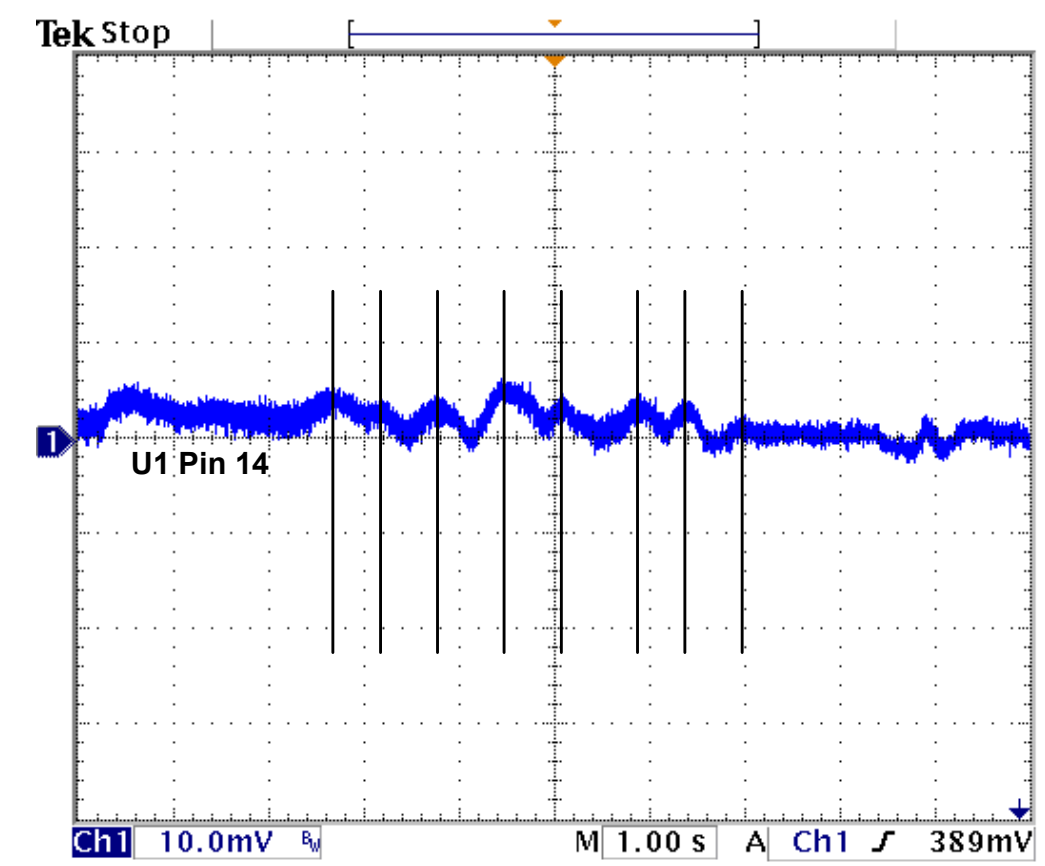


| | | | | | |
|---------------|----------|------------|--|--------------------------------|--------------|
| APPROVALS | | DATE | TITLE | | |
| DRAWN | J TAYLOR | 2017/01/01 | RCWL-0516 3.2GHz motion detector (U1 is RCWL-9196) | | |
| CHECKED | | | | | |
| ENGINEER | | | SIZE | FSCM NO. | DRAWING NO. |
| PROJ ENGINEER | | | B | | 0242 |
| APPROVED | | | SCALE | NONE | REV. - |
| QA | | | © 2018 TES | MODIFIED: 01/07/18 11:28:58 AM | SHEET 2 OF 3 |

| REVISION HISTORY | | | |
|------------------|-------------|----------|------|
| REV | DESCRIPTION | APPROVED | DATE |
| | | | |



↑
 At 3175MHz, wavelength = 9.45cm
 1/2 wavelength = 4.725cm



| | | | | |
|---------------|----------|------------|---|--------------------------------|
| APPROVALS | | DATE | TITLE | |
| DRAWN | J TAYLOR | 2017/01/01 | RCWL-0516 3.2GHz motion detector (U1 is RCWL-9196) | |
| CHECKED | | | | |
| ENGINEER | | | | |
| PROJ ENGINEER | | | SIZE | FSCM NO. |
| APPROVED | | | B | DRAWING NO. 0242 |
| QA | | | SCALE | NONE |
| | | | © 2018 TES | MODIFIED: 01/07/18 11:28:58 AM |
| | | | SHEET | 3 OF 3 |
| | | | REV. | - |