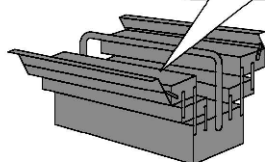
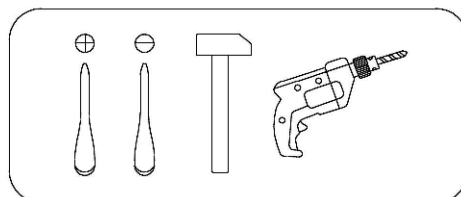
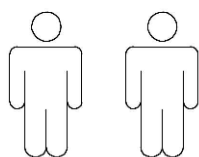
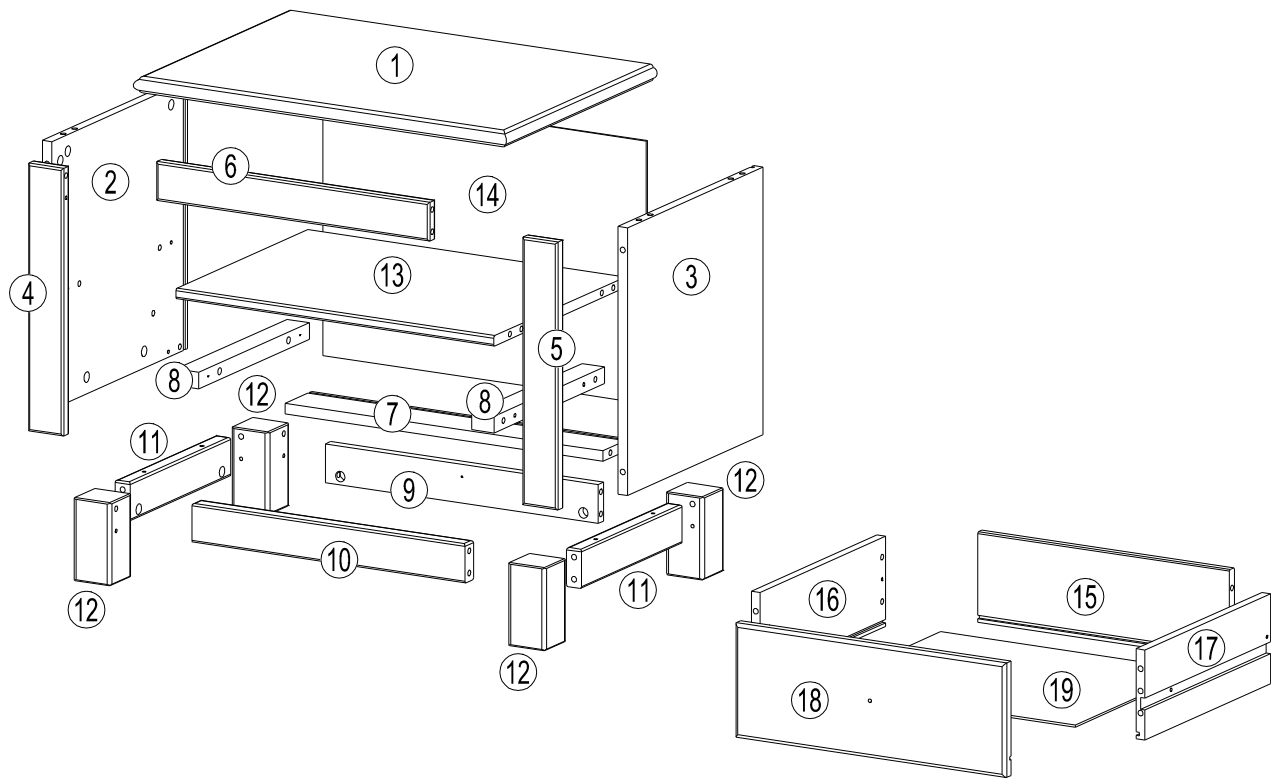
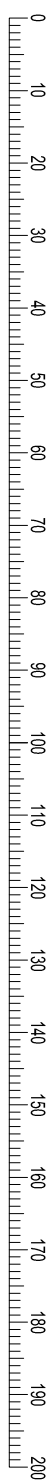


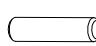
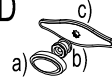


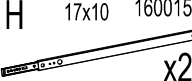



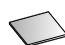
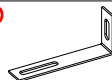
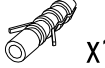




- | | | | |
|-----------|------------------------------------|-----------|--------------------------------|
| D | Montageanleitung | GB | Assembly instructions |
| FR | Notice de montage | IT | Istruzioni di montaggio |
| NL | Handleiding voor de montage | PL | Instrukcja montażu |
| CZ | Montážní návod | SK | Návod na montáž |
| HU | Szerelési útmutató | RO | Instrukțiuni de montaj |
| TR | Montaj talimatı | RU | Инструкция по монтажу |





- | | | | | | |
|---|--|---|---|---|---|
| A 030093
 x30 | B 030110
 x30 | C 230010
8x32
 x32 | D 210042
 x1 | E 030056
M4x35
 x1 | F 180074
 x1 |
| H 17x10 160015
 x2 | J 030043
M4x10
 x2 | M 250012
3.5x15
 x6 | N 250024
3.5x35
 x6 | O 070017
30x30
 x4 | |
| | | P 180080
 x1 | Q 090004
 x1 | R 250012
3.5x15
 x1 | S 250044
4x40
 x1 |

No	Size/MaB (mm)	Qty	✓	No	Size/MaB (mm)	Qty	✓
1	600x420x24	1		11	280x56x24	2	
2	386x378x15	1		12	120x60x60	4	
3	386x378x15	1		13	511x367x15	1	
4	386x56x18	1		14	520x380x3	1	
5	386x56x18	1		15	405x130x14	1	
6	439x56x18	1		16	350x130x14	1	
7	511x74x15	1		17	350x130x14	1	
8	308x36x24	2		18	435x165x18	1	
9	439x56x15	1		19	414x342x3	1	
10	439x56x24	1					

1

A 030093 x22
C 230010 8x32 x20
8 x2

A x4
12 x2
13

1

4
5
6
7
8
9
10
11

(Diagram showing correct pin C orientation with a checkmark and incorrect orientation with an X)

2

A 030093 x6
C 230010 8x32 x4
M 250012 3.5x15 x4
N 250024 3.5x35 x4
H 17x10 160015 x2

8
2
3

M
H
N
A
C

(Diagram showing correct screw M orientation with a checkmark)

3

B 030110 x8
O 30x30 x4

9
10
11
12

O x4
O

(Diagram showing correct spacer O placement)

4

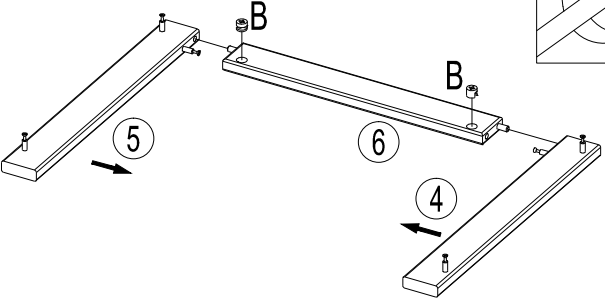
A 030093 x2
B 030110 x2
C 230010 8x32 x8
E 030056 M4x35 x1
D c) 210042 x1
N 250024 3.5x35 x2

16
15
19
17
18

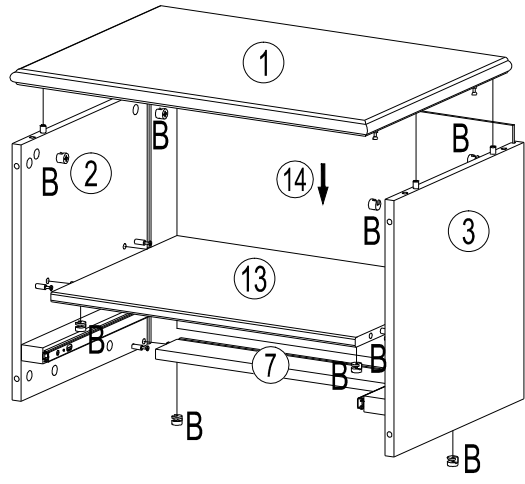
A
B
C
E
G
L

(Diagram showing correct screw E and nail N orientation)

5 B 030110 x2



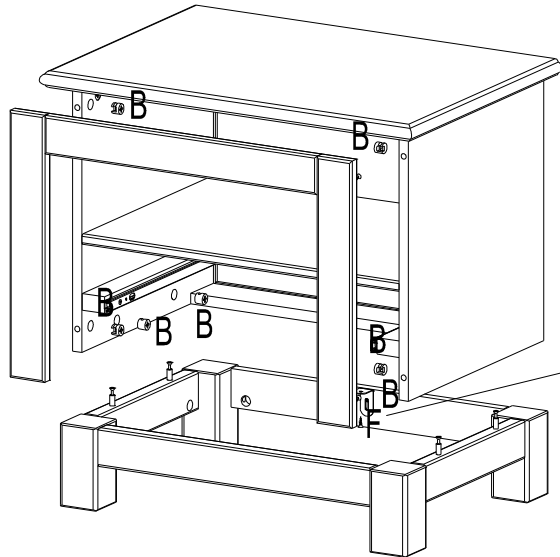
6 B 030110 x10



7 B 030110 x8

F 180074 x1

M 250012 3.5x15 x2



8 J 030043 M4x10 x2

P 180080 x1

Q 090004 x1

R 250012 3.5x15 x1

S 250044 4x40 x1

