


hydroo [®]	Product Information VDROO1-27	Manufacturer	Hydroo
		Address	
		Contact	34 972 394 654
		Date	2023/11/23
Project Name		Client Name	
		Client Addr.	
Item NO		Contacts	(495) 788-39-40
		Contact	

Part NO.	VF1-27R 0150 S 0023 5 2 IE1
----------	-----------------------------

Product Picture: (Note: Images may not be the same as the product)	Note
	<p>VDROO is a new series of vertical multistage centrifugal pumps made by Hydroo. It includes different versions: VF, VX, VN and VD and their corresponding pumps sets with motor and with variable frequency drivers.</p> <p>VDROO range has been designed to meet the highest demanding in pumping installations. It has been designed, engineered, industrialized and finally, is being produced in the main factory of Hydroo in Palol de Revardit, Catalonia-Spain.</p>

Nameplate parameters

Flow	1 m ³ /h
Head	150 m
Efficiency	42 %
Speed	2900 rpm
Number of stages	27

Rated parameters

Min. Flow (m ³ /h)	0.5
Max. Flow (m ³ /h)	2.4
Max. Efficiency (%)	48
MEI	≥ 0,8
Pump Weight (kg)	45

MATERIAL

Impeller/Diffuser/Casing	AISI 304
Rubber code	E
Inlet & Outlet chamber	ASTM 25B

INSTALLATION

Connection Code	R
Connection type	Threaded Round flange
Max. pressure (bar)	24
Low/High Temperature (°C)	-15 / 120
Pressure rating	PN25-40
Inlet & Outlet Connection size	DN25
Max. Environment temperature (°C)	40

MOTOR

Number of Motor Phases	1~
Protection Class	IP55
Insulation Class	F
Motor power (kw)	1.5
Frequency(Hz)	50
Rated speed(rpm)	2900
Rated voltage (V)	230
Rated current (a)	8.7
Cosφ	0.98
Energy efficiency Level	
Efficiency100%	76
Efficiency75%	76

hydroo [®]	Product Information VDROO1-27	Manufacturer	Hydroo
		Address	
		Contact	34 972 394 654
		Date	2023/11/23
Project Name		Client Name	
		Client Addr.	
Item NO		Contacts	495) 788-39-40
		Contact	

MOTOR

Efficiency50% 67
 Drive end bearing 6305ZZ
 Non-drive end bearing 6205ZZ
 Motor Weight (kg) 17

SEAL

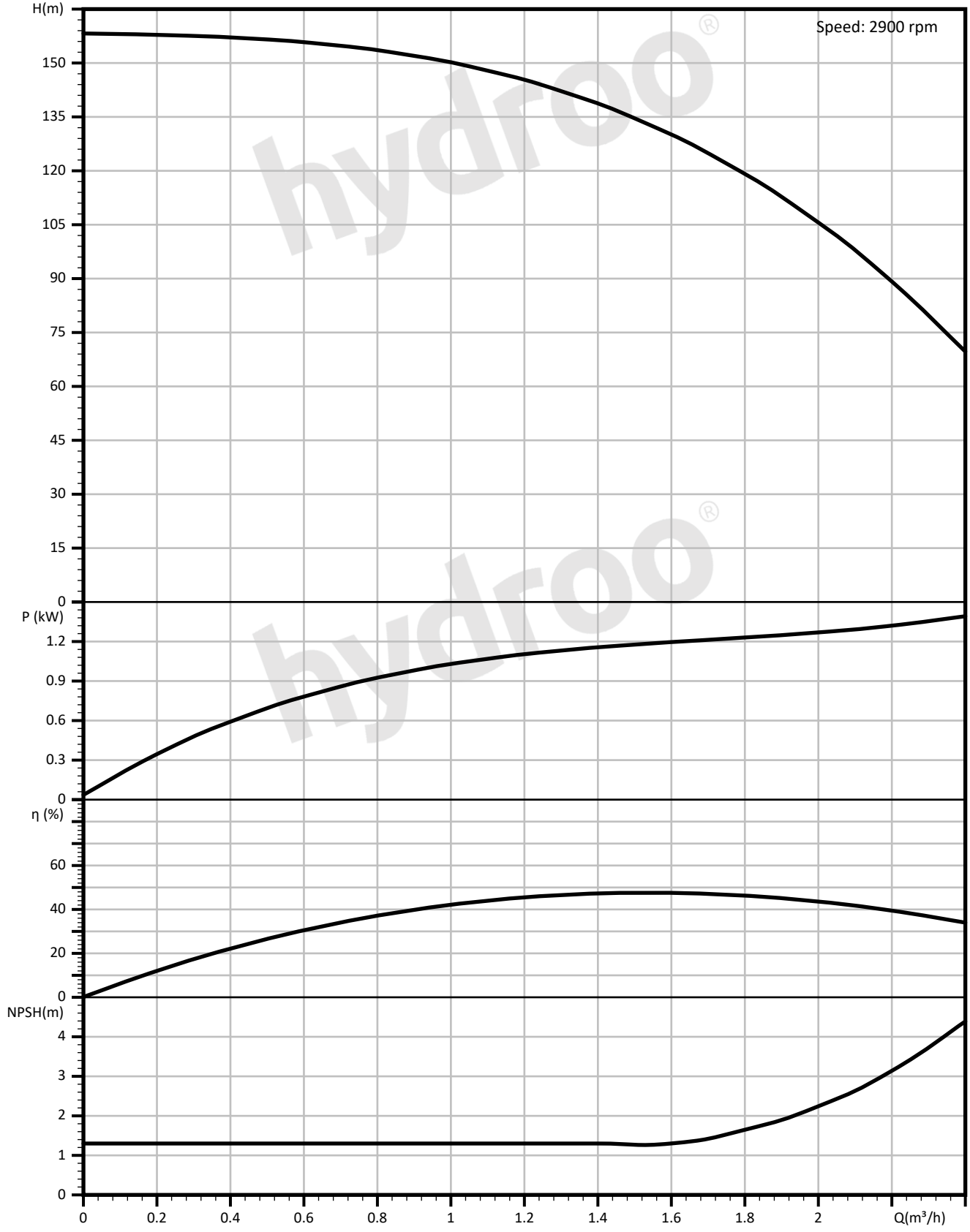
Mechanical seal D12 WBE4

hydroo[®]

hydroo[®]

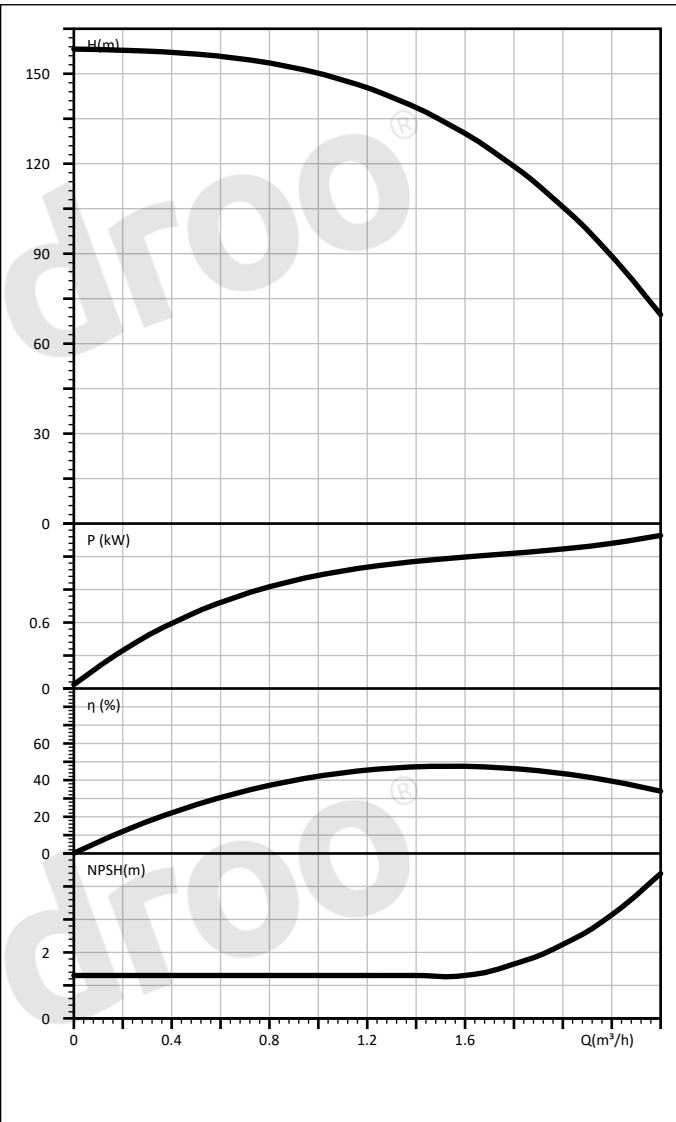
hydroo [®]	Performance Curve VDROO1-27	Manufacturer	Hydroo
		Address	
		Contact	34 972 394 654
		Date	2023/11/23
Project Name		Client Name	
		Client Addr.	
Item NO		Contacts	495) 788-39-40
		Contact	

The hydraulic performance curve have been tested with water at 20°C, density 1000kg/m³, and at 1bar atmospherical pressure. ISO99062012 Grade 3B

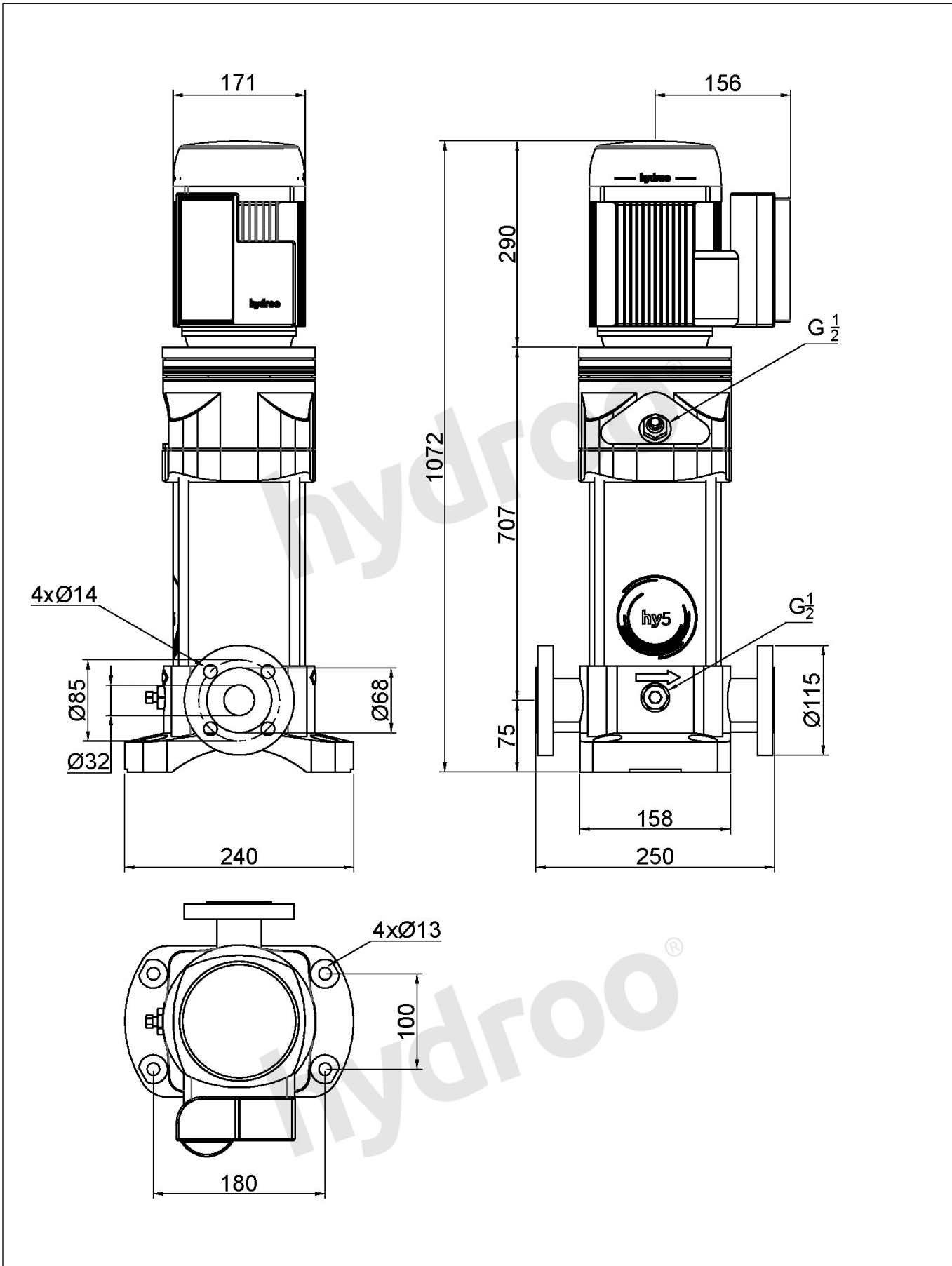


hydroo [®]	Pump Technical Parameters VDROO1-27	Manufacturer	Hydroo
		Address	
Project Name		Contact	34 972 394 654
		Date	2023/11/23
		Client Name	
Item NO		Client Addr.	
		Contacts	495) 788-39-40
		Contact	

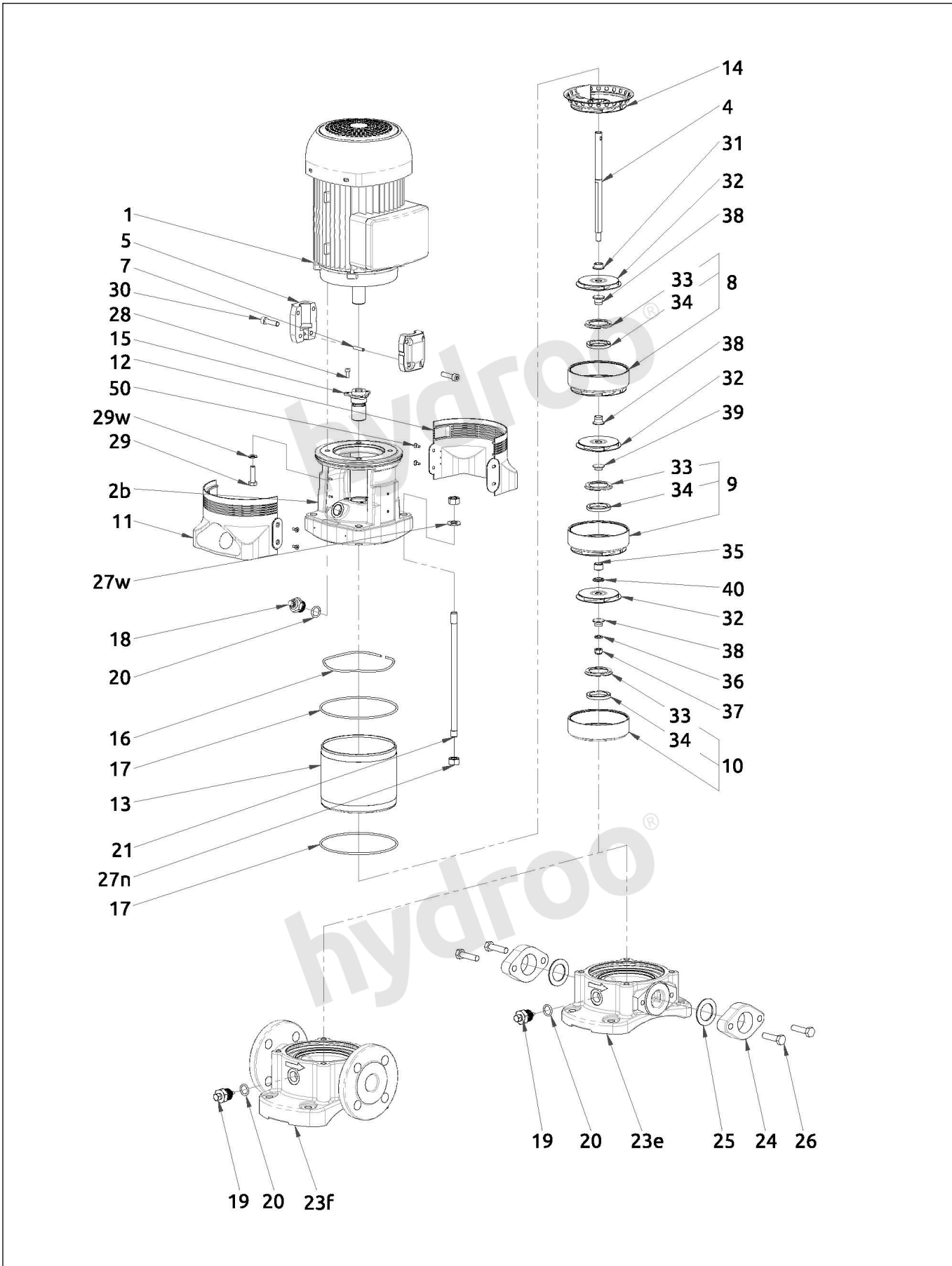
Rated parameters	
Pump model	VDROO1-27
Part NO.	VF1-27R 0150 S 0023 5 2 IE1
Rated flow	1 m ³ /h
Rated head	150 m
Rated efficiency (%)	42
Power (kW)	0.973
NPSHr (m)	1.3
Speed (rpm)	2900
Max impeller diameter (mm)	74.5
Medium	
Pumped medium	water
Working temperature (°C)	20
Medium density (kg/m ³)	1000
Viscosity (mm ² /s)	1



hydroo®	Installation picture VDROO1-27	Manufacturer	Hydroo
		Address	
Project Name		Contact	34 972 394 654
		Date	2023/11/23
		Client Name	
Item NO		Client Addr.	
		Contacts	495) 788-39-40
		Contact	



hydroo [®]	Structure picture VDROO1-27	Manufacturer	Hydroo
		Address	
		Contact	34 972 394 654
		Date	2023/11/23
Project Name		Client Name	
		Client Addr.	
Item NO		Contacts	495) 788-39-40
		Contact	



hydroo [®]	Physical picture VDROO1-27	Manufacturer	Hydroo
		Address	
		Contact	34 972 394 654
		Date	2023/11/23
Project Name		Client Name	
Item NO		Client Addr.	
		Contacts	495) 788-39-40
		Contact	

