


hydroo [®]	Product Information VDROO1-13	Manufacturer	Hydroo
		Address	
		Contact	(+34) 972 394 654
		Date	2022/05/31
Project Name		Client Name	Moscow
		Client Addr.	
Item NO		Contacts	
		Contact	

Part NO.	VF1-13O 0075 S 0023 5 2 IE1
----------	-----------------------------

Product Picture	Note
	<p>VDROO is a new series of vertical multistage centrifugal pumps made by Hydroo. It includes different versions: VF, VX, VN and VD and their corresponding pumps sets with motor and with variable frequency drivers.</p> <p>VDROO range has been designed to meet the highest demanding in pumping installations. It has been designed, engineered, industrialized and finally, is being produced in the main factory of Hydroo in Palol de Revardit, Catalonia-Spain.</p>

Nameplate parameters

flow	1 m ³ /h
head	73 m
speed	2900
number of stages	13

Performance Data

Min. Flow (m ³ /h)	0.5
Max. Flow (m ³ /h)	2.4
Max. Efficiency (%)	48
MEI	≥ 0,8
Pump Weight (kg)	31

MATERIAL

Impeller/Diffuser/Casing	AISI 304
Rubber code	E
Inlet & Outlet chamber	ASTM 25B

INSTALLATION

Connection Code	O
Connection type	Oval flange
Max. pressure (bar)	24
Low/High Temperature (°C)	-15 / 120
Pressure rating	PN25-40
Inlet & Outlet Connection	G1
Max. Environment temperatu	40

MOTOR

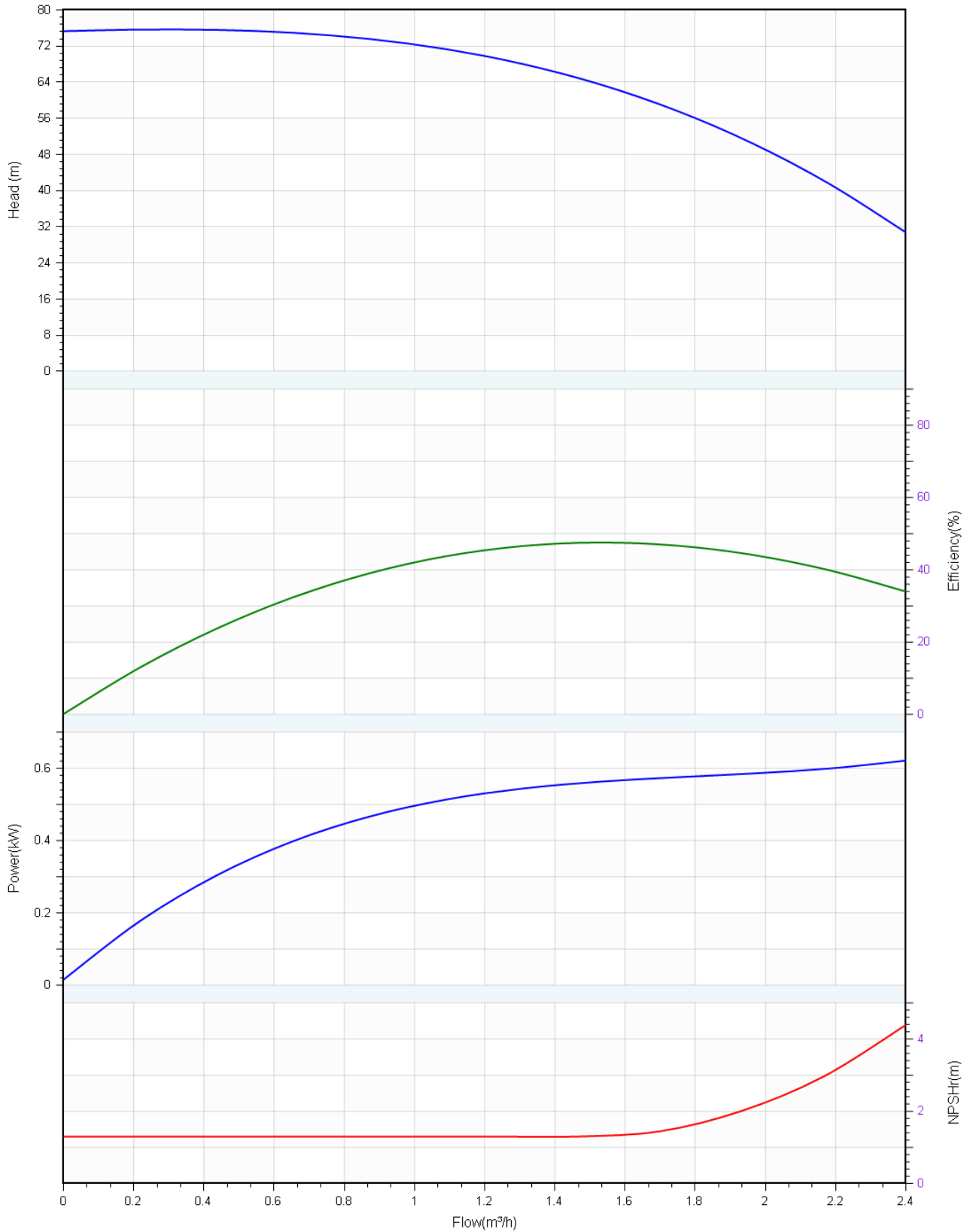
Number of Motor Phases	1~
Protection Class	IP55
Insulation Class	F
Motor Power (kW)	0.75
Frequency(Hz)	50
Rated speed(rpm)	2900
Rated voltage (V)	230
Rated current (A)	4.6
cosφ	0.97
Energy efficiency Level	
Efficiency100%	72
Efficiency75%	72

hydroo [®]	Product Information VDROO1-13	Manufacturer	Hydroo
		Address	
		Contact	(+34) 972 394 654
		Date	2022/05/31
Project Name		Client Name	
		Client Addr.	
Item NO		Contacts	
		Contact	

Efficiency50%	62
Drive end bearing	6204ZZ
Non-drive end bearing	6204ZZ
Motor Weight (kg)	12.3
SEAL	
Mechanical Seal	D12 WBE4

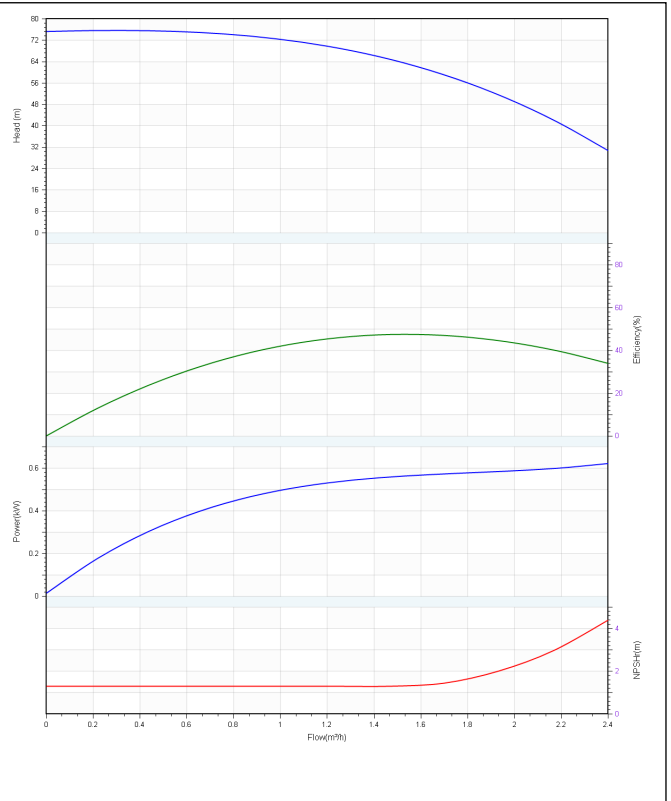
hydroo [®]	Performance Curve VDROO1-13	Manufacturer	Hydroo
		Address	
		Contact	(+34) 972 394 654
		Date	2022/05/31
Project Name		Client Name	Moscow
Item NO		Client Addr.	
		Contacts	
		Contact	

The hydraulic performance curve have been tested with Water at °C, density 1000kg/m³, and at 1bar atmospherical pressure. GB32162016 Grande 3B

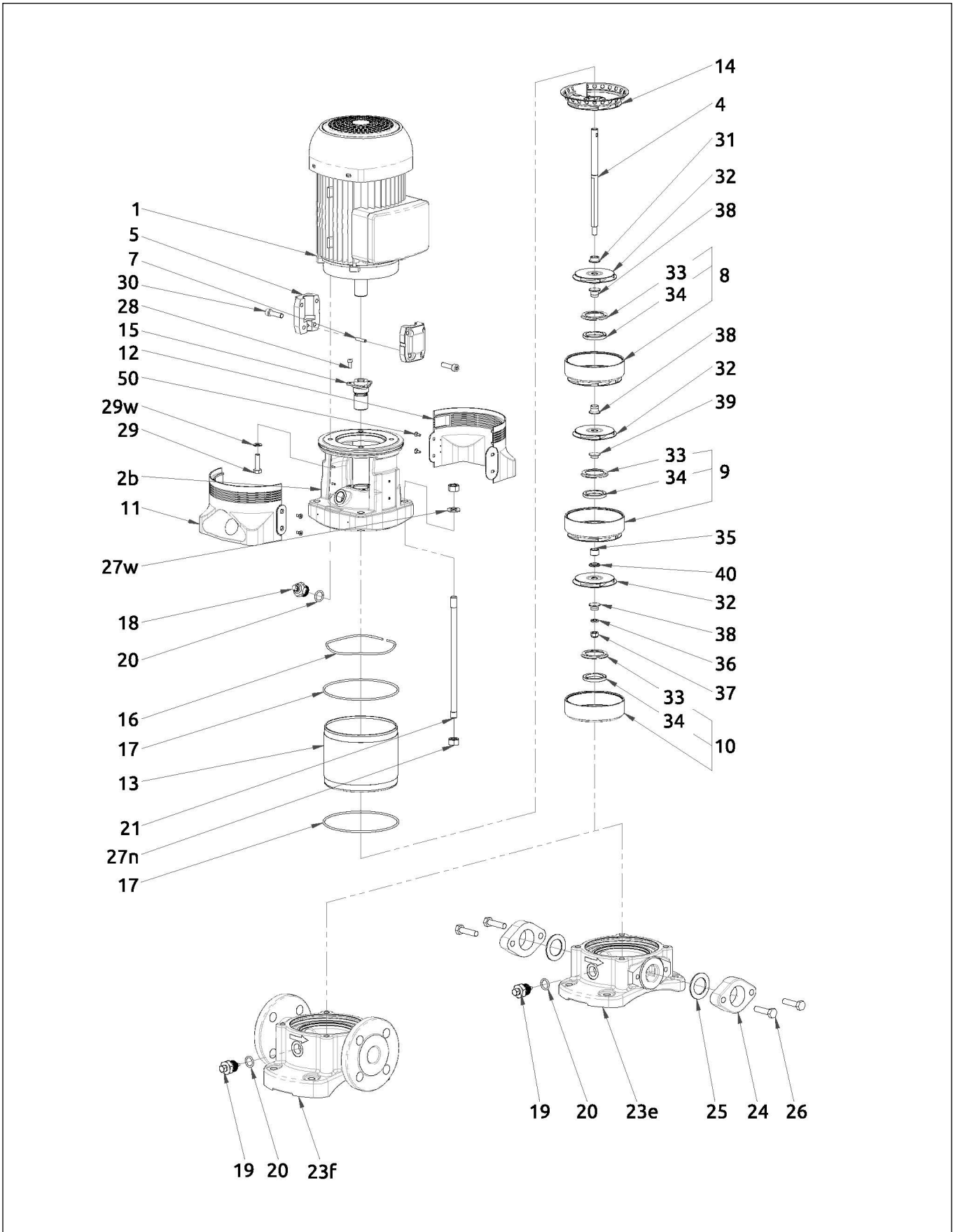


hydroo [®]	Pump Technical Parameters VDROO1-13	Manufacturer	Hydroo
		Address	
		Contact	(+34) 972 394 654
		Date	2022/05/31
Project Name		Client Name	Moscow
		Client Addr.	
Item NO		Contacts	
		Contact	

Rated parameters	
Pump model	VDROO1-13
Part NO.	VF1-13O 0075 S 0023 5 2 IE1
Rated flow	1 m ³ /h
Rated head	73 m
Rated efficiency (%)	42
Power (kW)	0.474
NPSHr (m)	1.3
Speed (rpm)	2900
Max impeller diameter (mm)	74.5
Medium	
Pumped medium	Water
Working temperature (°C)	20
Medium density (kg/m ³)	1000
Viscosity (mm ² /s)	1



hydroo®	Structure picture VDROO1-13	Manufacturer	Hydroo
		Address	
		Contact	(+34) 972 394 654
		Date	2022/05/31
Project Name		Client Name	Moscow
Item NO		Client Addr.	
		Contacts	
		Contact	



hydroo [®]	Installation picture VDROO1-13	Manufacturer	Hydroo
		Address	
		Contact	(+34) 972 394 654
		Date	2022/05/31
Project Name		Client Name	Moscow
Item NO		Client Addr.	
		Contacts	
		Contact	

