


<b>hydroo</b> <sup>®</sup>	<b>Product Information</b> <b>VDROO1-4</b>	Manufacturer	Hydroo
		Address	
		Contact	(495) 788-39-40
		Date	
<b>Project Name</b>		Client Name	Moscow
		Client Addr.	
<b>Item NO</b>		Contacts	
		Contact	

Part NO.	VF1-4R 0037 T 2340 5 2 IE3
----------	----------------------------

Product Picture	Note
	<p>VDROO is a new series of vertical multistage centrifugal pumps made by Hydroo. It includes different versions: VF, VX, VN and VD and their corresponding pumps sets with motor and with variable frequency drivers.</p> <p>VDROO range has been designed to meet the highest demanding in pumping installations. It has been designed, engineered, industrialized and finally, is being produced in the main factory of Hydroo in Palol de Revardit, Catalonia-Spain.</p>

### Nameplate parameters

flow	1 m <sup>3</sup> /h
head	21.5 m
Efficiency	42
speed	2900
number of stages	4

### Rated parameters

Min. Flow (m <sup>3</sup> /h)	0.5
Max. Flow (m <sup>3</sup> /h)	2.4
Max. Efficiency (%)	48
MEI	≥ 0,8
Pump Weight (kg)	24

### MATERIAL

Impeller/Diffuser/Casing	AISI 304
Rubber code	E
Inlet & Outlet chamber	ASTM 25B

### INSTALLATION

Connection Code	R
Connection type	Threaded Round flange
Max. pressure (bar)	24
Low/High Temperature (°C)	-15 / 120
Pressure rating	PN25-40
Inlet & Outlet Connection	DN25
Max. Environment temperatu	40

### MOTOR

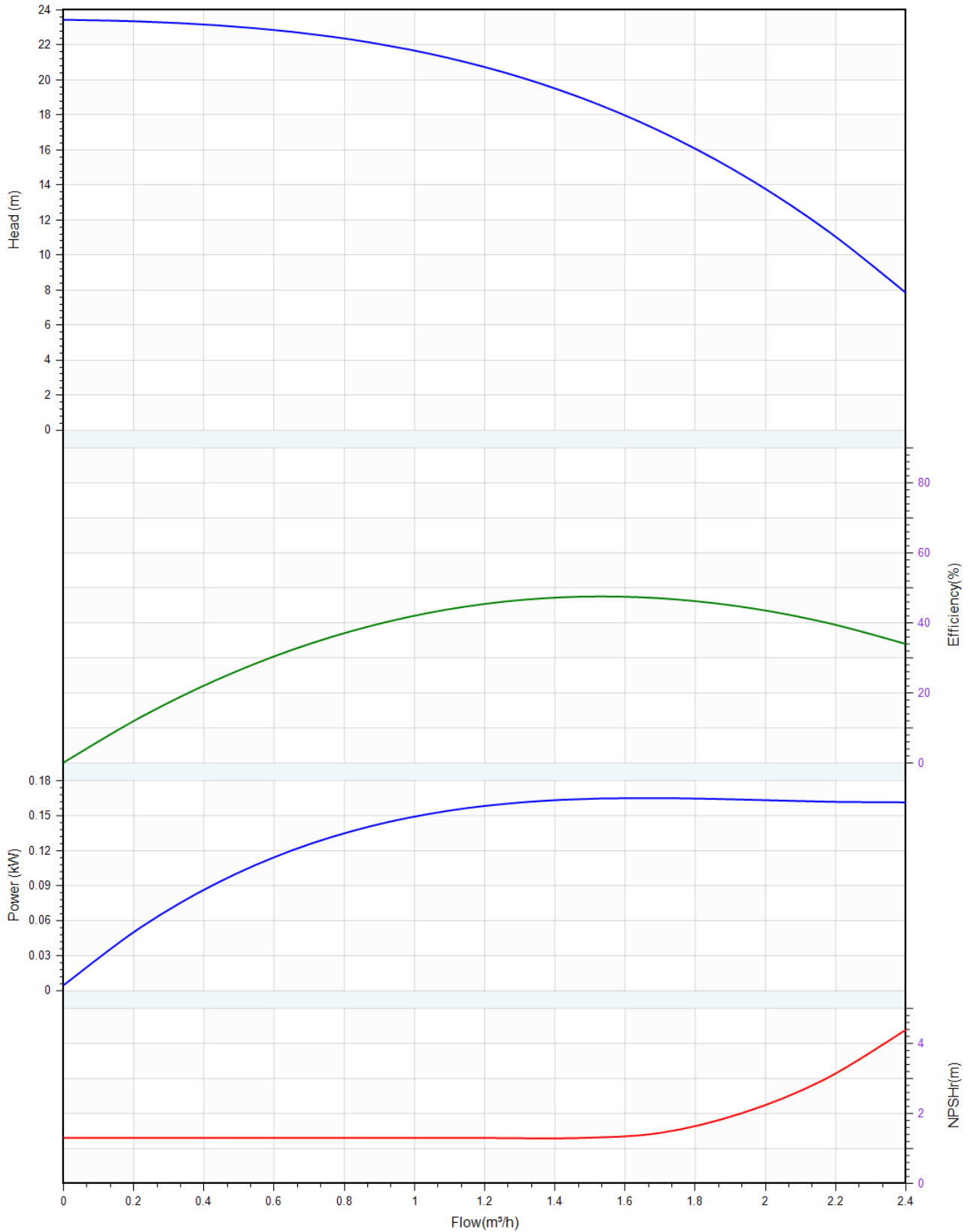
Number of Motor Phases	3~
Protection Class	IP55
Insulation Class	F
Motor power (kw)	0.37
Frequency(Hz)	50
Rated speed(rpm)	2900
Rated voltage (V)	230/400
Rated current (a)	1.8/1.0
cosφ	0.81
Energy efficiency Level	IE3
Efficiency100%	63.9

<b>hydroo</b> <sup>®</sup>	<b>Product Information</b> <b>VDROO1-4</b>	Manufacturer	Hydroo
		Address	
		Contact	(495) 788-39-40
		Date	2022/12/28
<b>Project Name</b>		Client Name	Moscow
		Client Addr.	
<b>Item NO</b>		Contacts	
		Contact	

Efficiency75%	64.1
Efficiency50%	62.9
Drive end bearing	6202ZZ
Non-drive end bearing	6202ZZ
Motor Weight (kg)	6.5
<b>SEAL</b>	
Mechanical seal	D12 WBE4

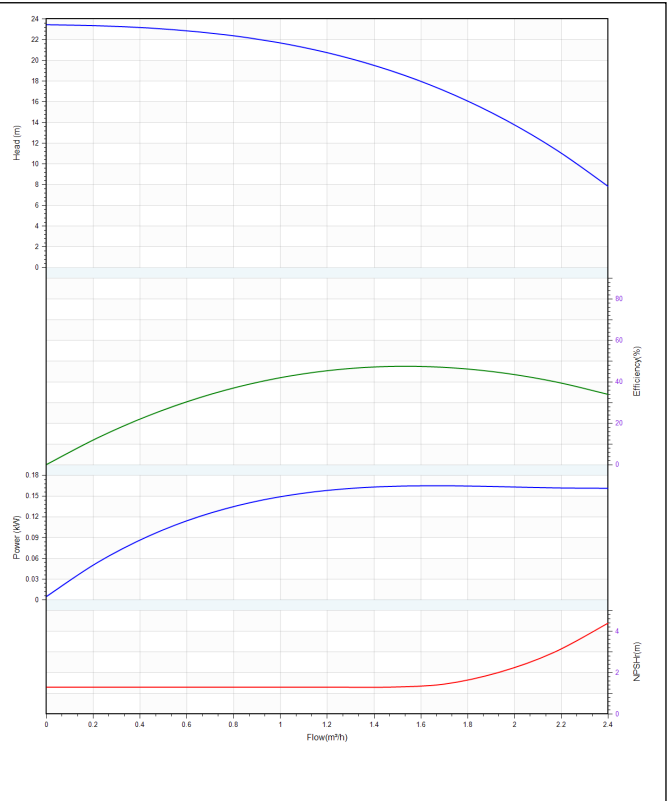
<b>hydroo</b> <sup>®</sup>	<b>Performance Curve</b> <b>VDROO1-4</b>	Manufacturer	Hydroo
		Address	
		Contact	(495) 788-39-40
		Date	2022/12/28
<b>Project Name</b>		Client Name	Moscow
<b>Item NO</b>		Client Addr.	
		Contacts	
		Contact	

The hydraulic performance curve have been tested with Water at  $^{\circ}\text{C}$ , density  $1000\text{kg}/\text{m}^3$ , and at 1bar atmospherical pressure. GB32162016 Grande 3B

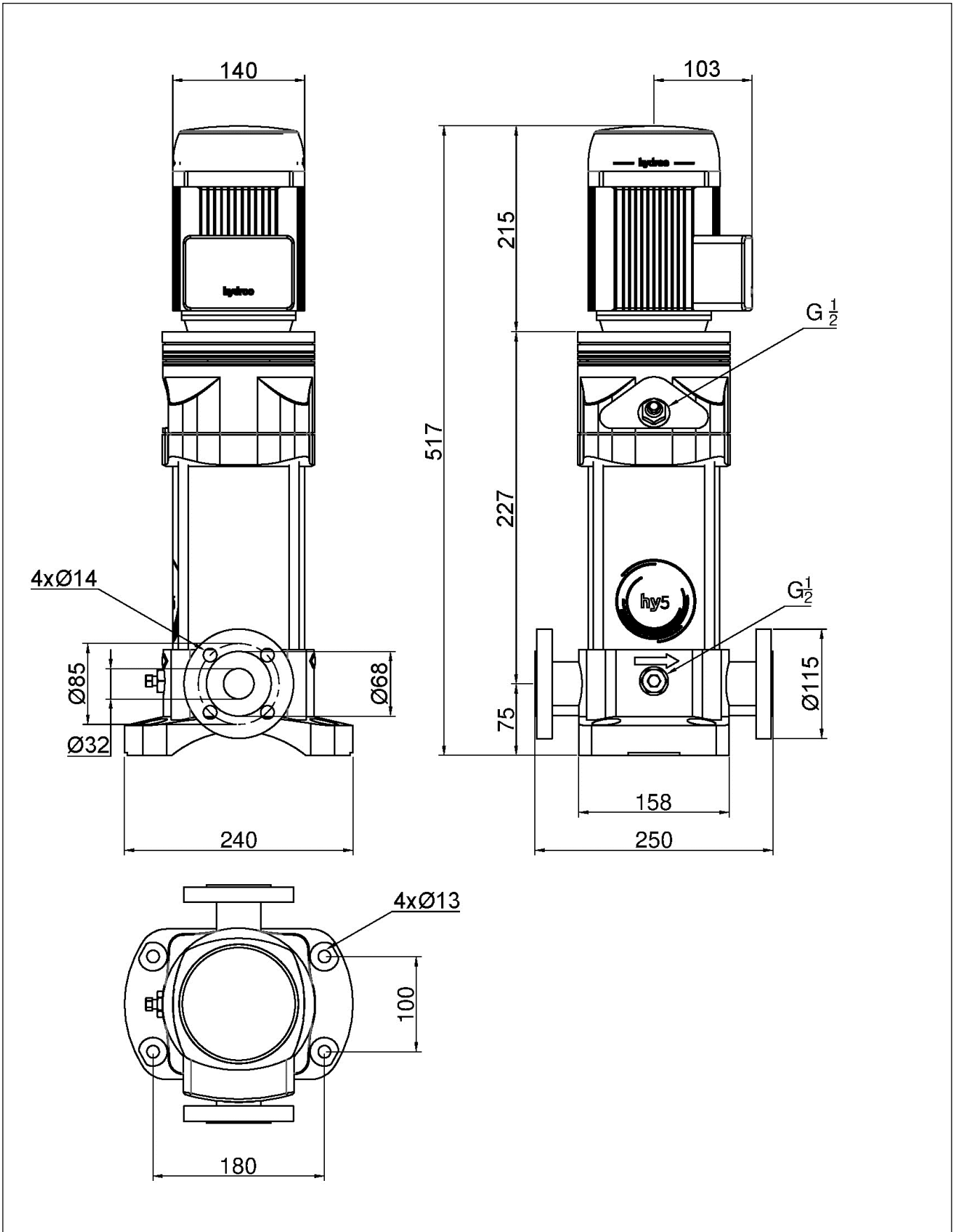


<b>hydroo</b> <sup>®</sup>	<b>Pump Technical Parameters</b> <b>VDROO1-4</b>	Manufacturer	Hydroo
		Address	
		Contact	2022/12/28
		Date	
<b>Project Name</b>		Client Name	(495) 788-39-40
		Client Addr.	Moscow
<b>Item NO</b>		Contacts	
		Contact	

<b>Rated parameters</b>	
Pump model	VDROO1-4
Part NO.	VF1-4R 0037 T 2340 5 2 IE3
Rated flow	1 m <sup>3</sup> /h
Rated head	21.5 m
Rated efficiency (%)	42
Power (kW)	0.139
NPSHr (m)	1.3
Speed (rpm)	2900
Max impeller diameter (mm)	74.5
<b>Medium</b>	
Pumped medium	Water
Working temperature (°C)	20
Medium density (kg/m <sup>3</sup> )	1000
Viscosity (mm <sup>2</sup> /s)	1



<b>hydroo</b> <sup>®</sup>	<b>Installation picture</b> <b>VDROO1-4</b>	Manufacturer	Hydroo
		Address	
		Contact	(495) 788-39-40
		Date	2022/12/28
<b>Project Name</b>		Client Name	Moscow
<b>Item NO</b>		Client Addr.	
		Contacts	
		Contact	



**hydroo®**

**Structure picture**  
**VDROO1-4**

Manufacturer Hydroo

Address

Contact 2022/12/28

Date

Project Name

Client Name

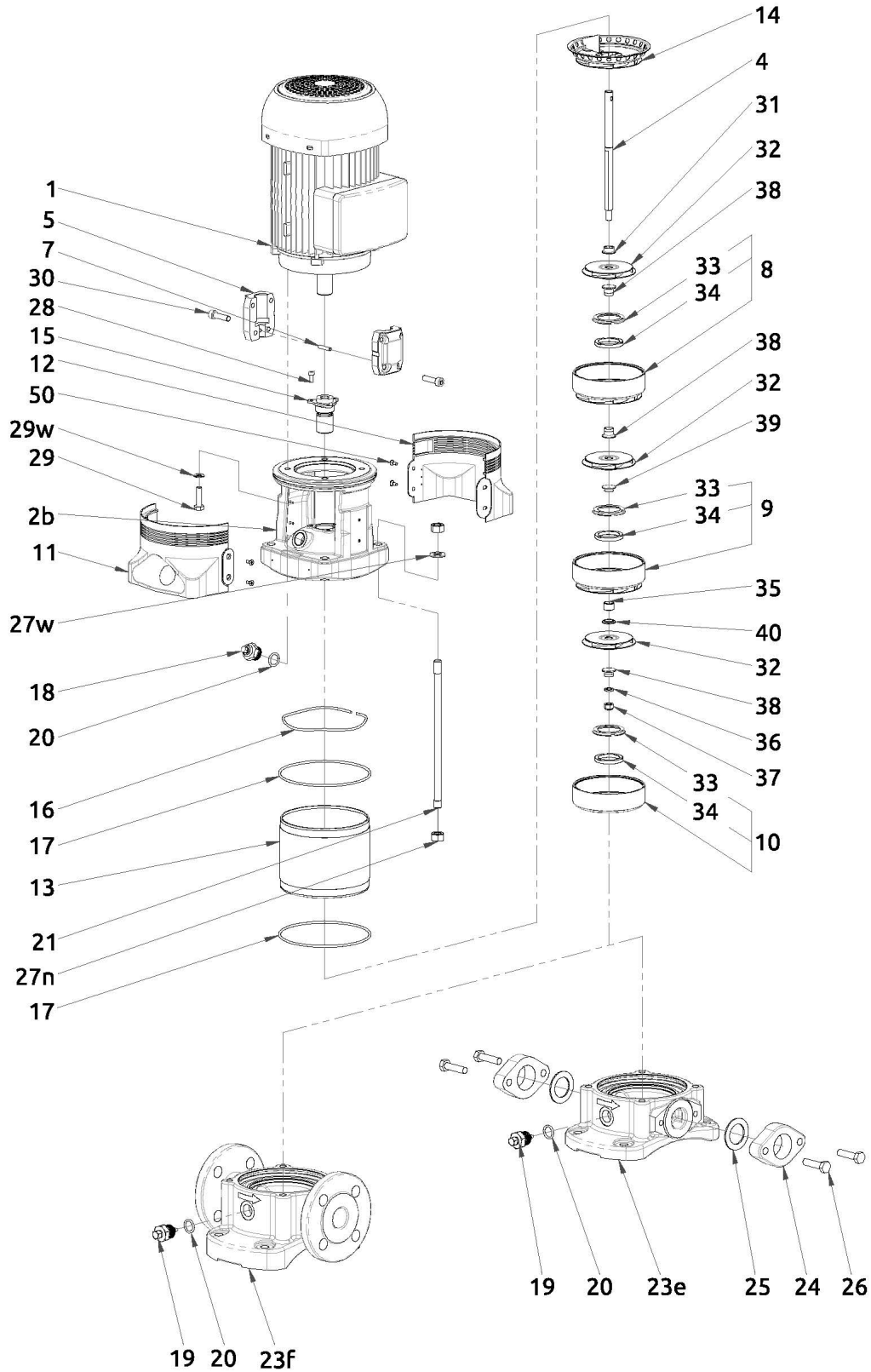
Moscow

Client Addr.

Item NO

Contacts

Contact



<b>hydroo</b> <sup>®</sup>	<b>Physical picture</b> <b>VDROO1-4</b>	Manufacturer	Hydroo
		Address	
		Contact	(495) 788-39-40
		Date	2022/12/28
<b>Project Name</b>		Client Name	Moscow
<b>Item NO</b>		Client Addr.	
		Contacts	
		Contact	

