


| | | | |
|----------------------------|--|--------------|-----------------|
| hydroo [®] | Product information VDROO3-23 | Manufacturer | Hydroo |
| | | Address | |
| Project Name | | Contact | |
| | | Date | 2021/12/17 |
| Station Number | | Client Name | |
| | | Client Addr. | Russia, Moscow |
| | | Contacts | |
| | | Contact | (495) 788-39-40 |

| | |
|-------------|-----------------------------|
| Product No. | VF3-23R 0220 T 2340 5 2 IE3 |
|-------------|-----------------------------|

| | |
|---|--|
| Product picture(Note: the picture may not be the same as t | Series description |
|  | <p>VDROO is a new series of vertical multistage centrifugal pumps made by Hydroo. It includes different versions: VF, VX, VN and VD and their corresponding pumps sets with motor and with variable frequency drivers.</p> <p>VDROO range has been designed to meet the highest demanding in pumping installations. It has been designed, engineered, industrialized and finally, is being produced in the main factory of Hydroo in Palol de Revardit, Catalonia-Spain.</p> |

Performance Date

| | |
|-------------------------------|-------|
| Rated flow(m ³ /h) | 3 |
| Rated head(m) | 138 |
| Efficiency(%) | 58 |
| Rated power(kW)(kW) | 1.945 |
| NPSHr(m) | 1.4 |
| Impeller Dia(mm) | 82 |
| Rate Speed(rpm) | 2900 |
| Impeller stage | 23 |
| Min. Flow (m ³ /h) | 1.2 |
| Max. Flow (m ³ /h) | 4.4 |
| Max. Efficiency (%) | 58 |
| MEI | 0,8 |
| Pump Weight (kg) | 46 |

MATERIAL

| | |
|--------------------------|----------|
| Impeller/Diffuser/Casing | AISI 304 |
| Rubber code | E |
| Inlet & Outlet chamber | ASTM 25B |

INSTALLATION

| | |
|----------------------------|-----------------------|
| Connection Code | R |
| Connection type | Threaded Round flange |
| Max. pressure (bar) | 23 |
| Low/High Temperature() | -15 / 120 |
| Pressure rating | PN25-40 |
| Inlet & Outlet Connection | DN25 |
| Max. Environment temperatu | 40 |

MOTOR

| | |
|-------------------------|---------|
| Number of Motor Phases | 3~ |
| Protection Class | IP55 |
| Insulation Class | F |
| Motor Power (kW) | 2.2 |
| Frequency(Hz) | 50 |
| Rated speed(rpm) | 2900 |
| Rated voltage (V) | 230/400 |
| Rated current (A) | 7.6/4.3 |
| cos | 0.85 |
| Energy efficiency Level | IE3 |

| | | | |
|----------------------------|--|--------------|-------------------|
| hydroo [®] | Product information VDROO3-23 | Manufacturer | Hydroo |
| | | Address | |
| | | Contact | (+34) 972 394 654 |
| | | Date | 2021/12/17 |
| Project Name | | Client Name | |
| | | Client Addr. | Russia, Moscow |
| Station Number | | Contacts | |
| | | Contact | (495) 788-39-40 |

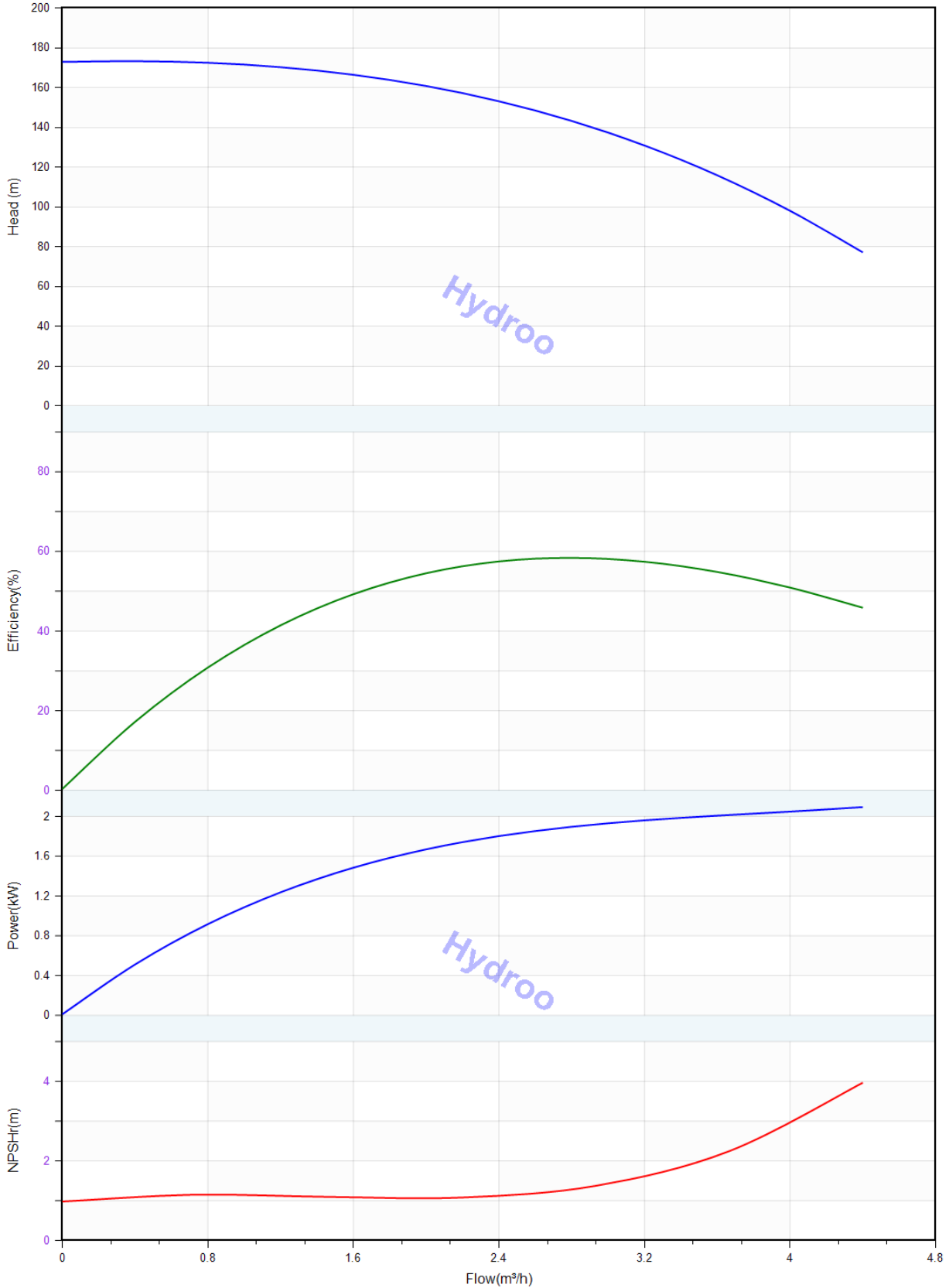
| | |
|-----------------------|--------|
| Efficiency100% | 85.9 |
| Efficiency75% | 86.6 |
| Efficiency50% | 86 |
| Drive end bearing | 6305ZZ |
| Non-drive end bearing | 6205ZZ |
| Motor Weight (kg) | 19.6 |

SEAL

| | |
|-----------------|----------|
| Mechanical Seal | D12 WBE4 |
|-----------------|----------|

| | | | |
|----------------------------|--|--------------|-------------------|
| hydroo [®] | Performance Curve VDROO3-23 | Manufacturer | Hydroo |
| | | Address | |
| Project Name | | Contact | (+34) 972 394 654 |
| | | Date | 2021/12/17 |
| Station Number | | Client Name | |
| | | Client Addr. | Russia, Moscow |
| | | Contacts | |
| | | Contact | (495) 788-39-40 |

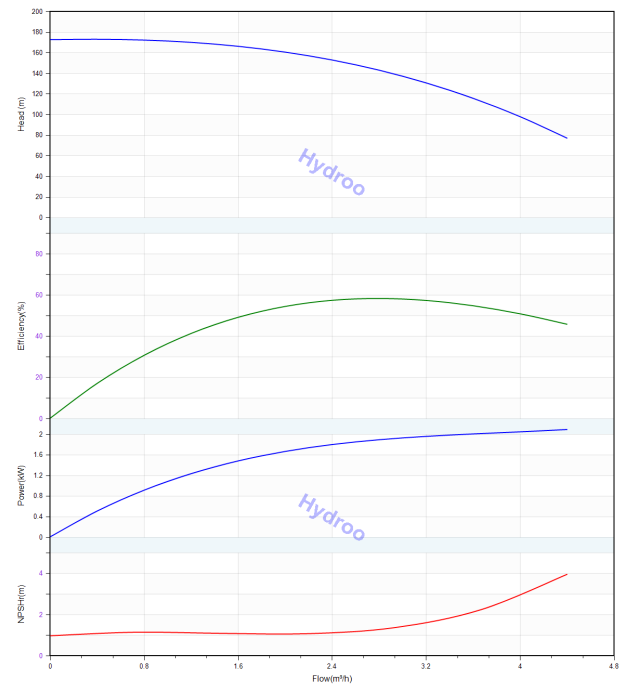
Medium Name Water , Temperature°C, Density1000kg/m³, Viscosity1mm²/s, (ISO99062012 Grande 3B)



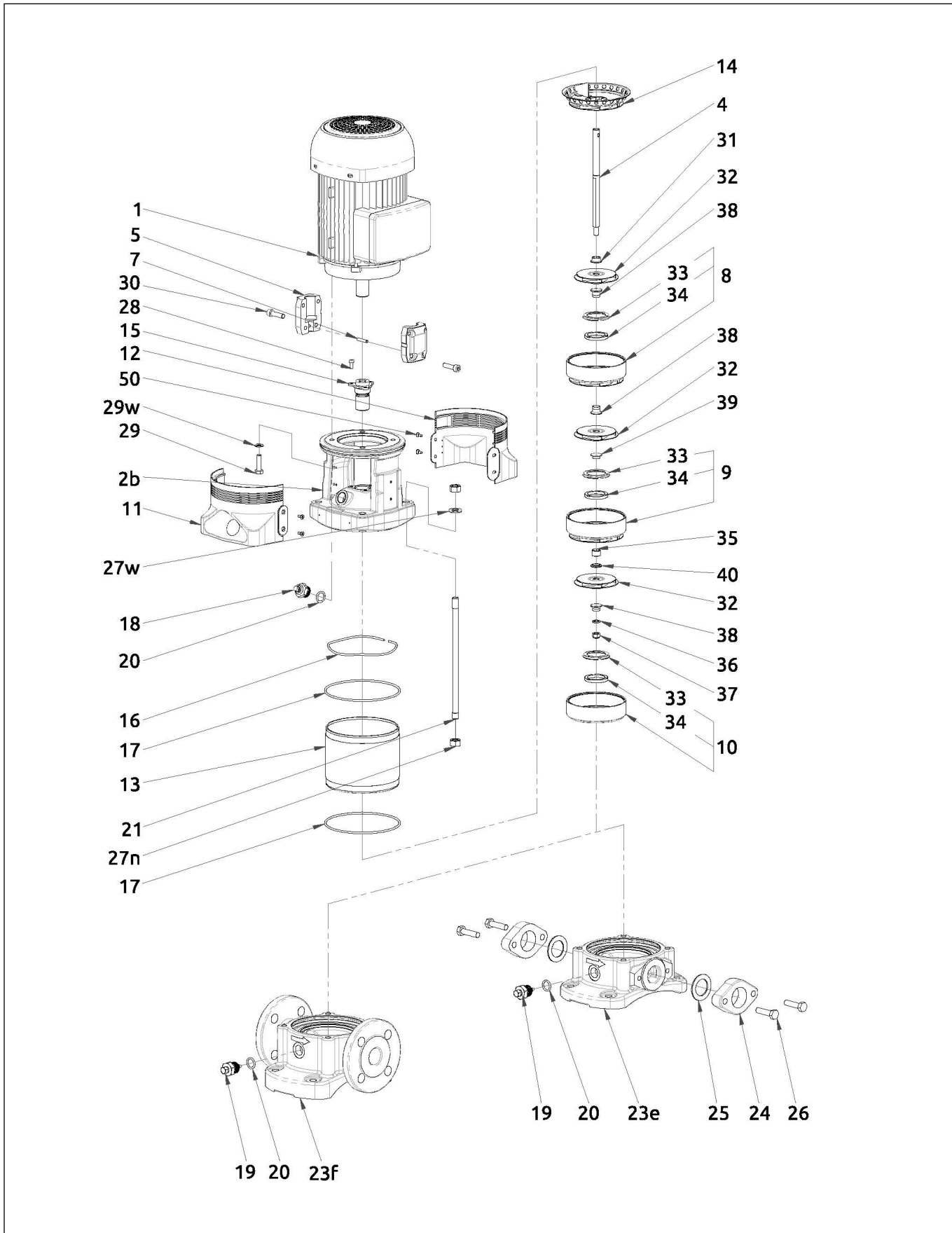
| | | | |
|----------------------------|--|--------------|-------------------|
| hydroo [®] | Pump technical parameters VDROO3-23 | Manufacturer | Hydroo |
| | | Address | |
| Project Name | | Contact | (+34) 972 394 654 |
| | | Date | 2021/12/17 |
| Station Number | | Client Name | |
| | | Client Addr. | Russia, Moscow |
| | | Contacts | |
| | | Contact | (495) 788-39-40 |

| Rated parameters | |
|-------------------------------|--------------------------------|
| Pump model | VDROO3-23 |
| Product No. | VF3-23R 0220 T 2340 5 2 IE3 |
| Rated flow(m ³ /h) | 3 |
| Rated pressure(m) | 138 |
| Rated efficiency(%) | 58 |
| Power(kW) | 1.945 |
| NPSHr(m) | 1.4 |
| Speed(rpm) | 2900 |

| Medium | |
|------------------------------------|-------|
| Medium Name | Water |
| Working temperature(°C) | 20 |
| Medium density(kg/m ³) | 1000 |
| Viscosity(mm ² /s) | 1 |



| | | | |
|----------------------------|--|--------------|-------------------|
| hydroo [®] | Structure picture VDROO3-23 | Manufacturer | Hydroo |
| | | Address | |
| Project Name | | Contact | (+34) 972 394 654 |
| | | Date | 2021/12/17 |
| Station Number | | Client Name | |
| | | Client Addr. | Russia, Moscow |
| | | Contacts | |
| | | Contact | (495) 788-39-40 |



| | | | |
|----------------------------|---|--------------|-------------------|
| hydroo [®] | Installation picture VDROO3-23 | Manufacturer | Hydroo |
| | | Address | |
| Project Name | | Contact | (+34) 972 394 654 |
| | | Date | 2021/12/17 |
| Station Number | | Client Name | |
| | | Client Addr. | Russia, Moscow |
| | | Contacts | |
| | | Contact | (495) 788-39-40 |

