

Hi-Tech Capto



Hi-Tech Cutting Tool Co., Ltd.

Tel: +86 769 8150 2920 Fax: +86 769 81502952 Email: shirleypeng@htcuttingtool.com Web: www.htcuttingtool.com
Add: No. 8, West 1st District, Shihe Road, Shilongkeng Village, Liaobu Town, Dongguan City, China

CONTENTS

| | | |
|------------|--------------------------------|-----------|
| 产品特点 | Features | P03-P05 |
| 外径车削单元 | External Turning Units | P13-P62 |
| 内径车削单元 | Internal Turning Units | P63-P87 |
| 车铣复合刀座 | Multi-task Machine Tool Holder | P88-P94 |
| Capto 类型刀柄 | Capto Tool Holder | P95-P102 |
| PSC 接纳器 | PSC Clamping Units | P103 |
| PSC 刀座 | PSC Holder Series | P104-P106 |

设计特点|Design Features



PSC 接口为 1:20 的三棱短锥，双向定位，刚性好，传扭能力强

PSC interface is a 1:20 polygon short taper holder with bidirectional positioning, good rigidity and strong torque transmission ability.

您的收益

*轴径双向定位，减需效里明显，保证工件光洁度;

*传扭能力强，可实现重载切削，节省加工时间。

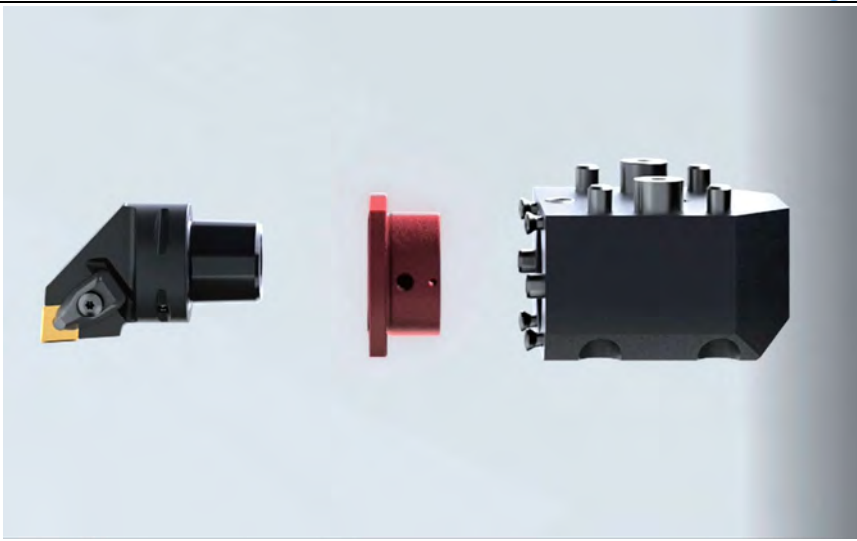
Benefit

*Bidirectional positioning of shaft and diameter, obvious damping, efect to ensure the workpiece finish.

*Strong torque transmission ability, to realize heavy load cutting and save processing time.

Hi-Tech Cutting Tool Co., Ltd.

Tel: +86 769 8150 2920 Fax: +86 769 81502952 Email: shirleypeng@htcuttingtool.com Web: www.htcuttingtool.com
Add: No. 8, West 1st District, Shihe Road, Shilongkeng Village, Liaobu Town, Dongguan City, China



通过 180°旋转接纳器，可实现左右手刀具互换

Through the 180° rotation receiver, the left and right hand tools can be exchanged

您的收益

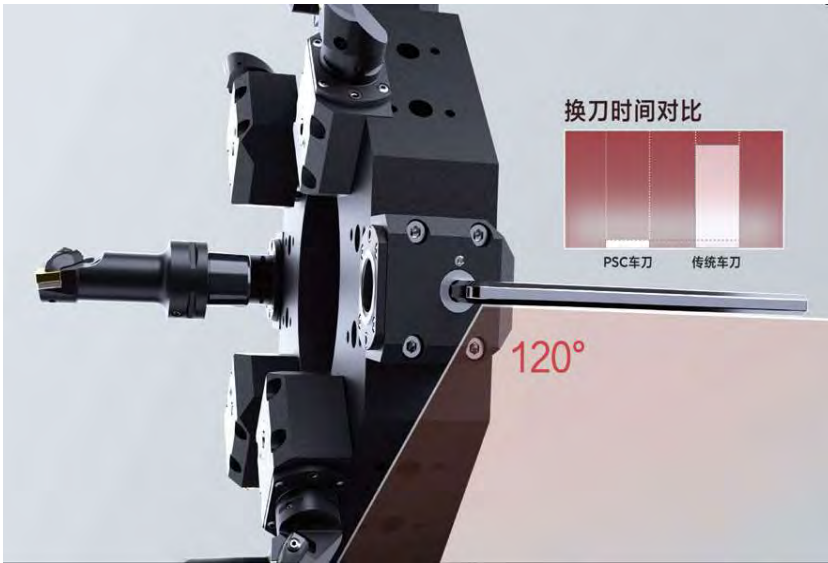
- *左右手刀具可以互换使用，减少刀具及夹具的库存成本;
- *可用于老旧机床改造，实现自动化生产，降低人工成本;
- *可配合转接柄使用，实现不同接口的装夹使用，降低由于接口不通装产生的刀具采购成本。

Benefit

- *The left and right hand tools can be used interchangeably to reduce the inventory cost of tools and fixtures;
- *It can be used to transform old machine tools, realize automatic production and reduce labor cost;
- *It can be used with the adapter handle to realize the clamping of different interfaces and reduce the cost of tool procurement due to incompatibility of interfaces.

Hi-Tech Cutting Tool Co., Ltd.

Tel: +86 769 8150 2920 Fax: +86 769 81502952 Email: shirleypeng@htcuttingtool.com Web: www.htcuttingtool.com
Add: No. 8, West 1st District, Shihe Road, Shilongkeng Village, Liaobu Town, Dongguan City, China



换刀装夹重复定位精度高达 0.002mm，刀具松紧方式简单易操作

The repeated positioning accuracy is up to 0.002mm, and the tool tightening is simple and easy to operate.

您的收益

*相对传统车刀，无需机内对刀，减少停机等待时间；

*提高有效加工时间 25%，降低单个工件生产成本。

Benefit

*Compared with the traditional turning tool, no need to adjust the tool in the machine and reduce the downtime;

*Increase the effective processing time by 25% and reduce the production cost of a single workpiece.

Hi-Tech Cutting Tool Co., Ltd.

Tel: +86 769 8150 2920 Fax: +86 769 81502952 Email: shirleypeng@htcuttingtool.com Web: www.htcuttingtool.com
Add: No. 8, West 1st District, Shihe Road, Shilongkeng Village, Liaobu Town, Dongguan City, China

外径车削单元

External Turning Units

| | | | |
|--|---|--|---|
| <p>PCLNR/L-HP</p>  <p>P13</p> | <p>PCLNR/L</p>  <p>P14</p> | <p>DCLNR/L</p>  <p>P15</p> | <p>DCMNN</p>  <p>P16</p> |
| <p>DCRNR/L</p>  <p>P17</p> | <p>DCKNR/L</p>  <p>P18</p> | <p>PDJNR/L-HP & PDMNR/L-HP</p>  <p>P19</p> | <p>PDJNR/L</p>  <p>P20</p> |
| <p>DDMNR/L</p>  <p>P21</p> | <p>DDJNR/L & DDHNR/L</p>  <p>P22</p> | <p>DDNNN</p>  <p>P23</p> | <p>DDUNR/L</p>  <p>P24</p> |
| <p>DRSNR/L</p>  <p>P25</p> | <p>PRSCR/L</p>  <p>P26</p> | <p>SRDCN</p>  <p>P27</p> | <p>SRSCR/L</p>  <p>P27</p> |
| <p>PSSNR/L-HP</p>  <p>P28</p> | <p>PSSNR/L</p>  <p>P29</p> | <p>DSDNN</p>  <p>P30</p> | <p>DSRNR/L & DSKNR/L</p>  <p>P31</p> |

外径车削单元

External Turning Units

| | | | |
|---|---|--|---|
| <p>DSSNR/L</p>  <p>P32</p> | <p>PSKNR/L</p>  <p>P33</p> | <p>PSRNR/L</p>  <p>P34</p> | <p>PSDNN</p>  <p>P35</p> |
| <p>DTGNR/L & DTJNR/L</p>  <p>P36</p> | <p>DTTNR/L & DTFNR/L</p>  <p>P37</p> | <p>MTJNR/L</p>  <p>P38</p> | <p>DVJNR/L</p>  <p>P39</p> |
| <p>MVJNR/L</p>  <p>P40</p> | <p>DWLNR/L</p>  <p>P41</p> | <p>MWLNR/L</p>  <p>P42</p> | <p>SCLCR/L-HPA</p>  <p>P43</p> |
| <p>SCLCR/L</p>  <p>P44</p> | <p>SCMCN</p>  <p>P45</p> | <p>SDJCR/L-HPA & SDJCR/L</p>  <p>P46</p> | <p>SDNCN</p>  <p>P47</p> |
| <p>SRSCR/L-HP</p>  <p>P48</p> | <p>SRSCR/L-HPA</p>  <p>P49</p> | <p>SRSCR/L</p>  <p>P50</p> | <p>SRDCN-HPA</p>  <p>P51</p> |

Hi-Tech Cutting Tool Co., Ltd.

外径车削单元

External Turning Units

| | | | |
|---|---|--|--|
| <p>SRDCN & SRDCN-A</p>  <p>P52</p> | <p>STJCR/L</p>  <p>P53</p> | <p>SVJBR/L-HP & SVUBR/L-HP</p>  <p>P54</p> | <p>SVJBR/L-HPAB</p>  <p>P55</p> |
| <p>SVJBR/L</p>  <p>P56</p> | <p>SVHBR/L-HPA & SVHBR/L</p>  <p>P57</p> | <p>SVVBN</p>  <p>P58</p> | <p>SVMBL</p>  <p>P59</p> |
| <p>SVSBR/L-HPA</p>  <p>P60</p> | <p>R/LFA-E</p>  <p>P61</p> | <p>SER/L</p>  <p>P62</p> | |

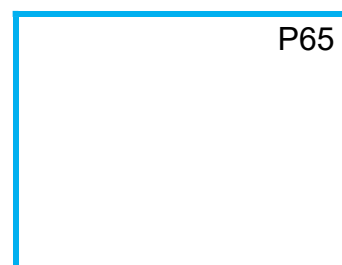
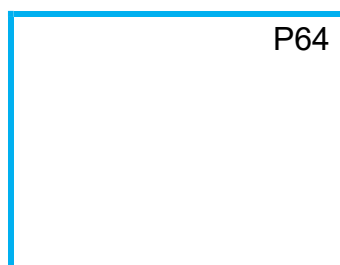
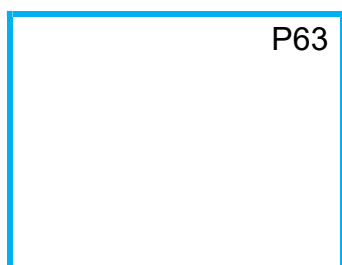
内径车削单元

Internal Turning Units

| | | | |
|--|---|---|---|
|  <p>PCLNR/L-HP</p> <p>P63</p> |  <p>PCLNR/L-M1</p> <p>P64</p> |  <p>DCLNR/L</p> <p>P65</p> |  <p>PDUNR/L-HP</p> <p>P66</p> |
|  <p>PDUNR/L-M1</p> <p>P67</p> |  <p>DDUNR/L</p> <p>P68</p> |  <p>PSKNR/L-HP</p> <p>P69</p> |  <p>PSKNR/L-M1</p> <p>P70</p> |
|  <p>DTFNR/L</p> <p>P71</p> |  <p>PTFNR/L-W</p> <p>P72</p> |  <p>MVUNR/L</p> <p>P73</p> |  <p>PWLNR/L-HP</p> <p>P74</p> |
|  <p>DWLNR/L</p> <p>P75</p> |  <p>MWLNR/L</p> <p>P76</p> |  <p>SCLCR/L-HP</p> <p>P77</p> |  <p>SCLCR/L</p> <p>P78</p> |
|  <p>SDUCR/L-HP</p> <p>P79</p> |  <p>SDUCR/L</p> <p>P80</p> |  <p>SSKCR</p> <p>P81</p> |  <p>STFCR/L-HPB</p> <p>P82</p> |

内径车削单元

Internal Turning Units

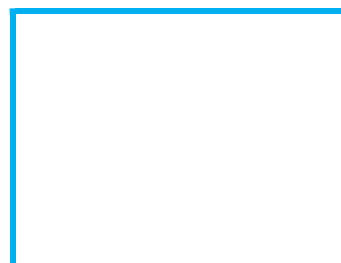
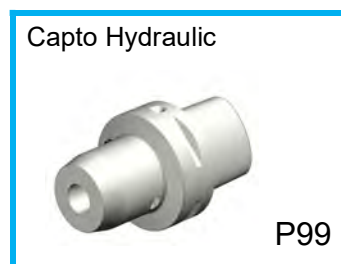


车铣复合刀座

Multi-task Machine Tool Holder

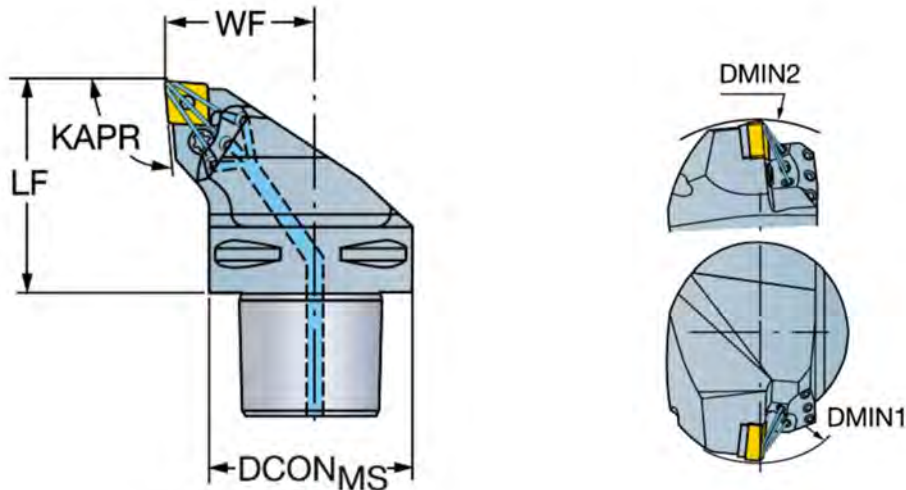


Capto 类型刀柄
Capto Tool Holder



PSC 外径车削单元 External Turning Units

PCLNR/L HP- Kr95°

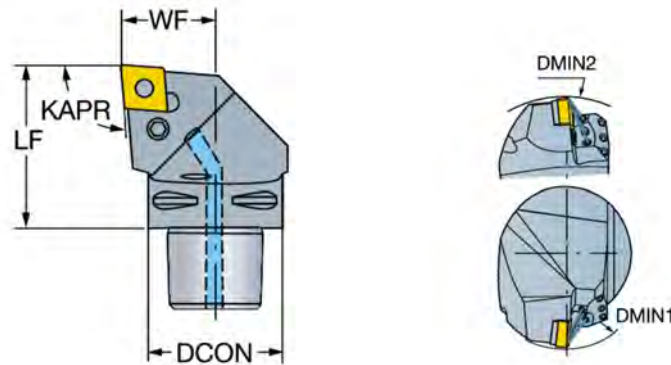


产品信息 Specification

| 主偏角-应用 (Kr)- Application | 型号 Code | DCON | WF | LF | DMIN1 | DMIN2 | Kg | ISO 刀片 ISO Insert |
|--------------------------------|-------------------------|------|----|----|-------|-------|------|----------------------|
| | PSC4-PCLNR/L-27050-12HP | 40 | 27 | 50 | 110 | 140 | 0.34 | CNMG1204 |
| | PSC5-PCLNR/L-35060-12HP | 50 | 35 | 60 | 110 | 165 | 0.71 | CNMG1204 |
| | PSC6-PCLNR/L-45065-12HP | 63 | 45 | 65 | 110 | 195 | 1.10 | CNMG1204 |
| | PSC5-PCLNR/L-35060-16HP | 50 | 35 | 60 | 125 | 165 | 0.76 | CNMG1606 |
| | PSC6-PCLNR/L-45065-16HP | 63 | 45 | 65 | 110 | 195 | 1.25 | CNMG1606 |
| | PSC6-PCLNR/L-45065-19HP | 63 | 45 | 65 | 110 | 195 | 1.25 | CNMG1906 |

PSC 外径车削单元 External Turning Units

PCLNR/L- Kr95°

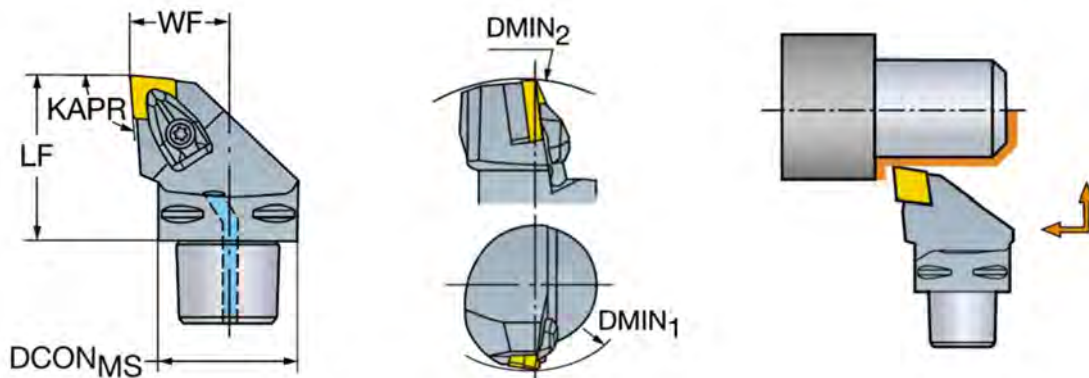


产品信息 Specification

| 主偏角-应用 (Kr)- Application | 型号 Code | DCON | WF | LF | DMIN1 | DMIN2 | Kg | ISO 刀片 ISO Insert |
|--------------------------------|-----------------------|------|----|----|-------|-------|------|----------------------|
| | PSC3-PCLNR/L-22040-12 | 30 | 22 | 40 | | | 0.23 | CNMG1204 |
| | PSC4-PCLNR/L-27050-12 | 40 | 27 | 50 | | | 0.46 | CNMG1204 |
| | PSC5-PCLNR/L-35060-12 | 50 | 35 | 60 | | | 0.88 | CNMG1204 |
| | PSC6-PCLNR/L-45065-12 | 60 | 45 | 65 | | | 1.70 | CNMG1204 |
| | PSC4-PCLNR/L-27050-16 | 40 | 27 | 50 | | | 0.46 | CNMG1606 |
| | PSC5-PCLNR/L-35065-16 | 50 | 35 | 65 | | | 0.88 | CNMG1906 |
| | PSC6-PCLNR/L-45065-16 | 63 | 45 | 65 | 110 | | 1.30 | CNMG1606 |
| | PSC5-PCLNR/L-35060-19 | 50 | 35 | 60 | | | 0.88 | CNMG1906 |
| | PSC6-PCLNR/L-45065-19 | 63 | 45 | 65 | | | 1.30 | CNMG1906 |
| | PSC5-PCLNR/L-27060-12 | 50 | 27 | 60 | | | 0.85 | CNMG1204 |
| | PSC6-PCLNR/L-35065-12 | 63 | 35 | 65 | | | 1.36 | CNMG1204 |
| | PSC5-PCLNR/L-27060-16 | 50 | 27 | 60 | | | 0.85 | CNMG1606 |
| | PSC6-PCLNR/L-35065-16 | 63 | 35 | 65 | 110 | | 1.35 | CNMG1606 |
| | PSC5-PCLNR/L-27060-19 | 50 | 27 | 60 | | | 0.85 | CNMG1906 |
| | PSC6-PCLNR/L-35065-19 | 63 | 35 | 65 | | | 1.35 | CNMG1906 |

PSC 外径车削单元 External Turning Units

DCLNR/L- Kr95°

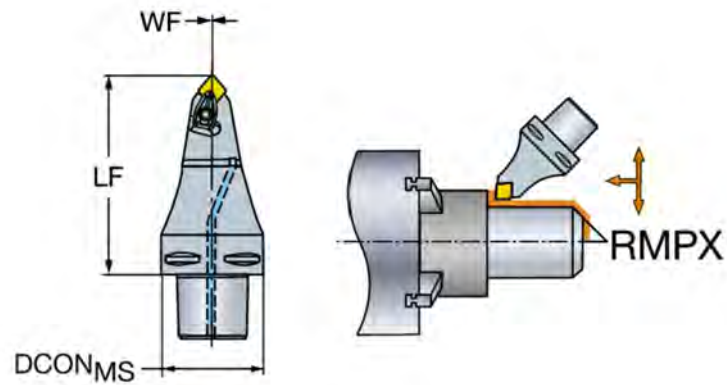


产品信息 Specification

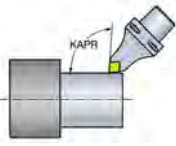
| 主偏角-应用 (Kr)- Application | 型号 Code | DCON | WF | LF | DMIN1 | DMIN2 | Kg | ISO 刀片 ISO Insert |
|--------------------------------|-----------------------|------|----|----|-------|-------|------|----------------------|
| | PSC4-DCLNR/L-27050-09 | 40 | 27 | 50 | 60 | 140 | 0.33 | CNMG0903 |
| | PSC3-DCLNR/L-22045-12 | 32 | 22 | 45 | 60 | 121 | 0.26 | CNMG1204 |
| | PSC4-DCLNR/L-27050-12 | 40 | 27 | 50 | 110 | 140 | 0.37 | CNMG1204 |
| | PSC5-DCLNR/L-35060-12 | 50 | 35 | 60 | 110 | 165 | 0.87 | CNMG1204 |
| | PSC6-DCLNR/L-45065-12 | 63 | 45 | 65 | 110 | 190 | 1.31 | CNMG1204 |
| | PSC4-DCLNR/L-27055-16 | 40 | 27 | 55 | 125 | 145 | 0.46 | CNMG1606 |
| | PSC5-DCLNR/L-35060-16 | 50 | 35 | 60 | 125 | 165 | 0.71 | CNMG1606 |
| | PSC6-DCLNR/L-45065-16 | 63 | 45 | 65 | 125 | 190 | 1.31 | CNMG1606 |
| | PSC5-DCLNR/L-35060-19 | 50 | 35 | 60 | 80 | 165 | 0.87 | CNMG1906 |
| | PSC6-DCLNR/L-45065-19 | 63 | 45 | 65 | 81 | 190 | 1.31 | CNMG1906 |
| | PSC8-DCLNR/L-55080-12 | 80 | 55 | 80 | 110 | 250 | 2.62 | CNMG1204 |
| | PSC8-DCLNR/L-55080-16 | 80 | 55 | 80 | 125 | 250 | 2.44 | CNMG1606 |
| | PSC8-DCLNR/L-55080-19 | 80 | 55 | 80 | 100 | 250 | 2.44 | CNMG1906 |

PSC 外径车削单元 External Turning Units

DCMNN- Kr95°

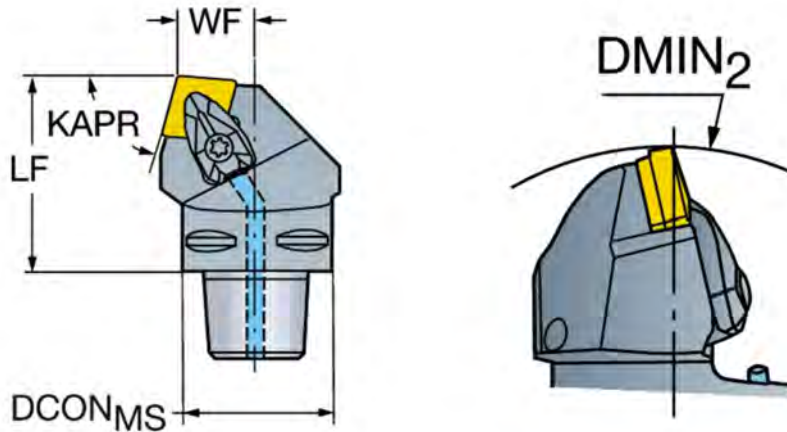


产品信息 Specification

| 主偏角-应用 (Kr)-Application | 型号 Code | DCON | WF | LF | DMIN1 | DMIN2 | Kg | ISO 刀片 ISO Insert |
|--|---------------------|------|----|-----|-------|-------|------|----------------------|
| 95°  | PSC5-DCMNN-00105-12 | 50 | 0 | 105 | | | 1.09 | CNMG1204 |
| | PSC6-DCMNN-00090-12 | 63 | 0 | 90 | | | 1.30 | CNMG1204 |
| | PSC6-DCMNN-00115-12 | 63 | 0 | 115 | | | 1.70 | CNMG1204 |
| | PSC6-DCMNN-00090-16 | 63 | 0 | 90 | | | 1.30 | CNMG1606 |

PSC 外径车削单元 External Turning Units

DCRNR/L- Kr75°



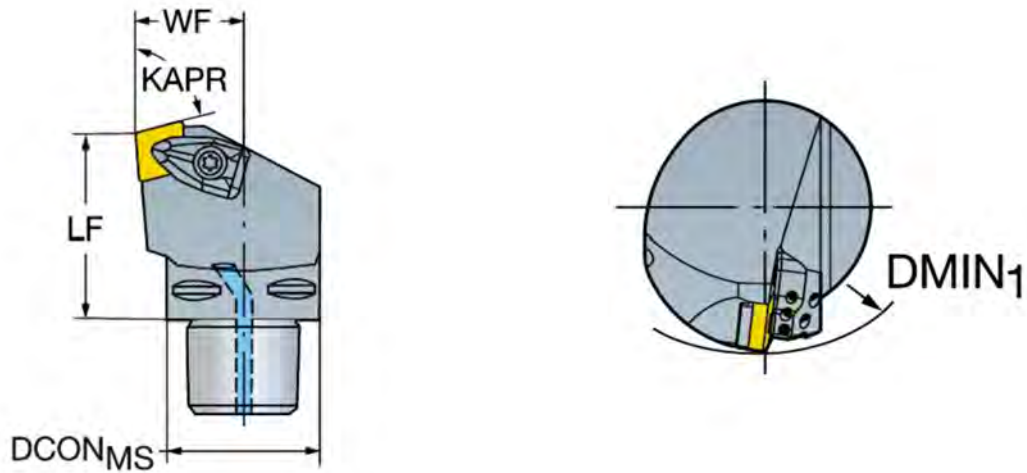
产品信息 Specification

| 主偏角-应用 (Kr)- Application | 型号 Code | DCON | WF | LF | DMIN1 | DMIN2 | Kg | ISO 刀片 ISO Insert |
|--------------------------------|-----------------------|------|----|----|-------|-------|------|----------------------|
| | PSC4-DCRNR/L-22050-12 | 40 | 22 | 50 | | 140 | 0.46 | CNMG1204 |
| | PSC5-DCRNR/L-27060-12 | 50 | 27 | 60 | | 165 | 0.87 | CNMG1204 |
| | PSC6-DCRNR/L-35065-12 | 63 | 35 | 65 | | 190 | 1.30 | CNMG1204 |
| | PSC5-DCRNR/L-27060-16 | 50 | 27 | 60 | | 165 | 0.71 | CNMG1606 |
| | PSC6-DCRNR/L-35065-16 | 63 | 35 | 65 | | 190 | 1.30 | CNMG1606 |
| | PSC5-DCRNR/L-27060-19 | 50 | 27 | 60 | | 165 | 0.71 | CNMG1906 |
| | PSC6-DCRNR/L-35065-19 | 63 | 35 | 65 | | 190 | 1.30 | CNMG1906 |


Hi-Tech Cutting Tool Co., Ltd.

PSC 外径车削单元 External Turning Units

DCKNR/L- Kr75°

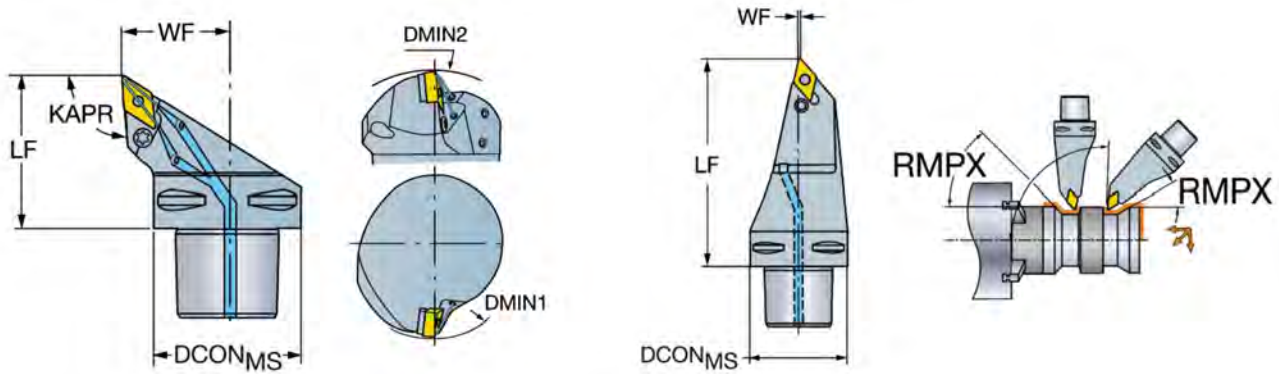


产品信息 Specification

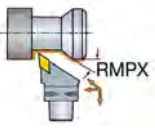
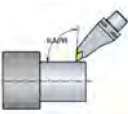
| 主偏角-应用 (Kr)-Application | 型号 Code | DCON | WF | LF | DMIN1 | DMIN2 | Kg | ISO 刀片 ISO Insert |
|--|-----------------------|------|----|----|-------|-------|------|----------------------|
| 75°  | PSC4-DCKNR/L-27050-12 | 40 | 27 | 50 | 110 | | 0.49 | CNMG1204 |
| | PSC5-DCKNR/L-35060-12 | 50 | 35 | 60 | 110 | | 0.85 | CNMG1204 |
| | PSC6-DCKNR/L-45065-12 | 63 | 45 | 65 | 110 | | 1.31 | CNMG1204 |
| | PSC5-DCKNR/L-35060-16 | 50 | 35 | 60 | 125 | | 0.85 | CNMG1606 |
| | PSC6-DCKNR/L-45065-16 | 63 | 45 | 65 | 125 | | 1.31 | CNMG1606 |
| | PSC6-DCKNR/L-45065-19 | 63 | 45 | 65 | 81 | | 1.31 | CNMG1906 |

PSC 外径车削单元 External Turning Units

PDJNR/L-HP Kr93° & PDMNR/L-HP Kr93°

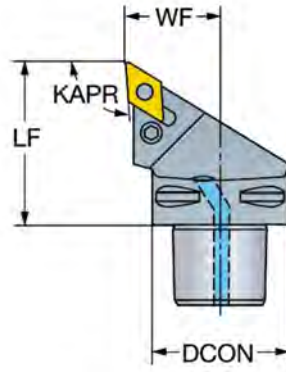


产品信息 Specification

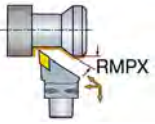
| 主偏角-应用 (Kr)-Application | 型号 Code | DCON | WF | LF | DMIN1 | DMIN2 | Kg | ISO 刀片 ISO Insert |
|--|---------------------------|------|-----|-----|-------|-------|------|----------------------|
| 93°  | PSC4-PDJNR/L-27050-11HP | 40 | 27 | 50 | 90 | 145 | 0.30 | DNMG1104 |
| | PSC5-PDJNR/L-35060-11HP | 50 | 35 | 60 | 110 | 165 | 0.70 | DNMG1104 |
| | PSC4-PDJNR/L-27050-15HP | 40 | 27 | 50 | 65 | 145 | 0.40 | DNMG1506 |
| | PSC5-PDJNR/L-35060-1504HP | 50 | 35 | 60 | 70 | 165 | 0.73 | DNMG1504 |
| | PSC5-PDJNR/L-35060-15HP | 50 | 35 | 60 | 65 | 165 | 0.70 | DNMG1506 |
| | PSC6-PDJNR/L-45065-1504HP | 63 | 45 | 65 | 95 | 195 | 1.20 | DNMG1504 |
| | PSC6-PDJNR/L-45065-15HP | 63 | 45 | 65 | 95 | 195 | 1.10 | DNMG1506 |
| 93°  | PSC6-PDMNR/L-00130-15HP | 63 | 0.6 | 130 | -- | -- | 1.70 | DNMG1506 |

PSC 外径车削单元 External Turning Units

PDJNR/L-Kr93°



产品信息 Specification

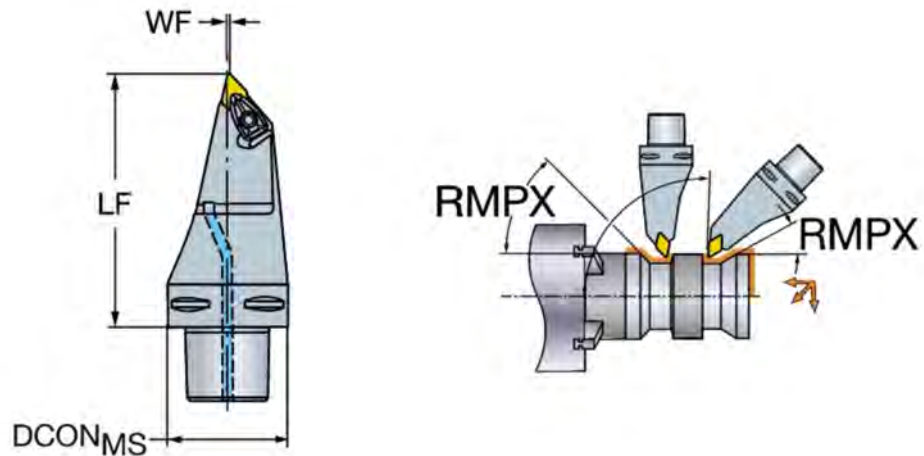
| 主偏角-应用 (Kr)-Application | 型号 Code | DCON | WF | LF | DMIN1 | DMIN2 | Kg | ISO 刀片 ISO Insert |
|--|-----------------------|------|----|----|-------|-------|------|----------------------|
| 93°  | PSC3-PDJNR/L-22045-11 | 32 | 22 | 45 | -- | -- | 0.13 | DNMG1104 |
| | PSC4-PDJNR/L-27050-11 | 40 | 27 | 50 | -- | -- | 0.49 | DNMG1104 |
| | PSC5-PDJNR/L-35060-11 | 50 | 35 | 60 | -- | -- | 0.55 | DNMG1104 |
| | PSC6-PDJNR/L-45065-11 | 63 | 45 | 65 | -- | -- | 1.10 | DNMG1104 |
| | PSC4-PDJNR/L-27055-15 | 40 | 27 | 55 | -- | -- | 0.34 | DNMG1506 |
| | PSC5-PDJNR/L-35060-15 | 50 | 35 | 60 | -- | -- | 0.55 | DNMG1506 |
| | PSC6-PDJNR/L-45065-15 | 63 | 45 | 65 | -- | -- | 1.35 | DNMG1506 |

20

Hi-Tech Cutting Tool Co., Ltd.

PSC 外径车削单元 External Turning Units

DDMNR/L-Kr93°

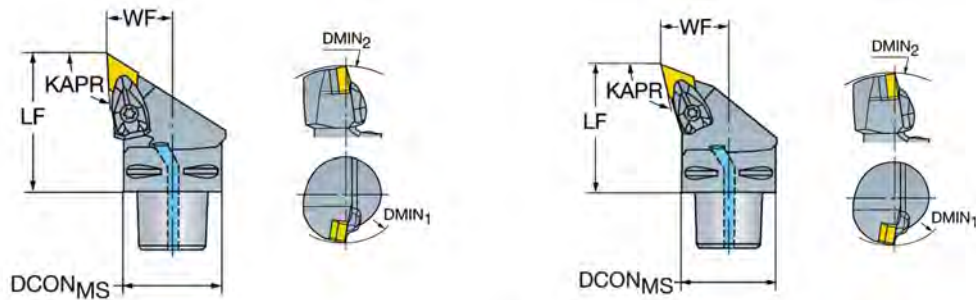


产品信息 Specification

| 主偏角-应用 (Kr)-Application | 型号 Code | DCON | WF | LF | DMIN1 | DMIN2 | Kg | ISO 刀片 ISO Insert |
|----------------------------|-----------------------|------|----|-----|-------|-------|------|----------------------|
| 93° | PSC5-DDMNL-00115-15 | 50 | 1 | 115 | -- | -- | 1.08 | DNMG1506 |
| | PSC6-DDMNL-00130-15 | 63 | 1 | 130 | -- | -- | 1.69 | DNMG1506 |
| | PSC6-DDMNL-00130-1504 | 63 | 1 | 130 | -- | -- | 1.69 | DNMG1504 |
| | PSC6-DDMNL-33120-15 | 63 | 33 | 120 | -- | -- | 2.3 | DNMG1506 |
| | PSC6-DDMNL-33120-1504 | 63 | 33 | 120 | -- | -- | 2.3 | DNMG1504 |

PSC 外径车削单元 External Turning Units

DDJNR/L-Kr93° & DDHNR/L-Kr107.5°



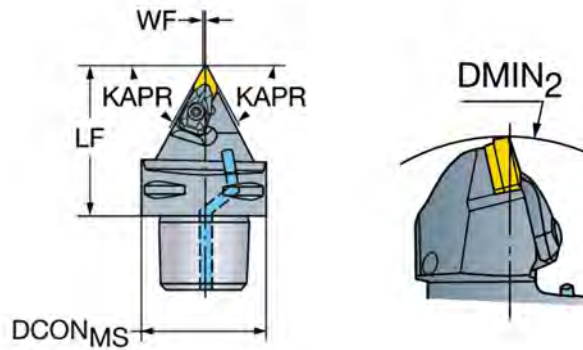
产品信息 Specification

| 主偏角-应用 (Kr)-Application | 型号 Code | DCON | WF | LF | DMIN1 | DMIN2 | Kg | ISO 刀片 ISO Insert |
|----------------------------|-------------------------|------|----|----|-------|-------|------|----------------------|
| | PSC3-DDJNR/L-22045-11 | 32 | 22 | 45 | 60 | 121 | 0.22 | DNMG1104 |
| | PSC4-DDJNR/L-27050-11 | 40 | 27 | 50 | 60 | 140 | 0.33 | DNMG1104 |
| | PSC5-DDJNR/L-35060-11 | 50 | 35 | 60 | 65 | 165 | 0.77 | DNMG1104 |
| | PSC6-DDJNR/L-45065-11 | 63 | 45 | 65 | 110 | 190 | 1.10 | DNMG1104 |
| | PSC4-DDJNR/L-27055-15 | 40 | 27 | 55 | 110 | 145 | 0.46 | DNMG1506 |
| | PSC4-DDJNR/L-27055-1504 | 40 | 27 | 55 | 110 | 145 | 0.46 | DNMG1504 |
| | PSC5-DDJNR/L-35060-15 | 50 | 35 | 60 | 110 | 165 | 0.70 | DNMG1506 |
| | PSC5-DDJNR/L-35060-1504 | 50 | 35 | 60 | 110 | 165 | 0.70 | DNMG1504 |
| | PSC6-DDJNR/L-45065-15 | 63 | 45 | 65 | 110 | 190 | 1.10 | DNMG1506 |
| | PSC6-DDJNR/L-45065-1504 | 63 | 45 | 65 | 110 | 190 | 1.10 | DNMG1504 |
| | PSC8-DDJNR/L-55080-15 | 80 | 55 | 80 | 110 | 250 | 2.16 | DNMG1506 |
| | PSC4-DDHNR/L-27055-15 | 40 | 27 | 55 | 110 | 145 | 0.45 | DNMG1506 |
| | PSC4-DDHNR/L-27055-1504 | 40 | 27 | 55 | 110 | 145 | 0.45 | DNMG1504 |
| | PSC5-DDHNR/L-35060-15 | 50 | 35 | 60 | 110 | 165 | 0.70 | DNMG1506 |
| | PSC5-DDHNR/L-35060-1504 | 50 | 35 | 60 | 110 | 165 | 0.70 | DNMG1504 |
| | PSC6-DDHNR/L-45065-15 | 63 | 45 | 65 | 110 | 190 | 1.10 | DNMG1506 |
| | PSC6-DDHNR/L-45065-1504 | 63 | 45 | 65 | 110 | 190 | 1.10 | DNMG1504 |
| | PSC8-DDHNR/L-55080-15 | 80 | 55 | 80 | 110 | 250 | 2.36 | DNMG1506 |

Hi-Tech Cutting Tool Co., Ltd.

PSC 外径车削单元 External Turning Units

DDNNN-Kr62.5°

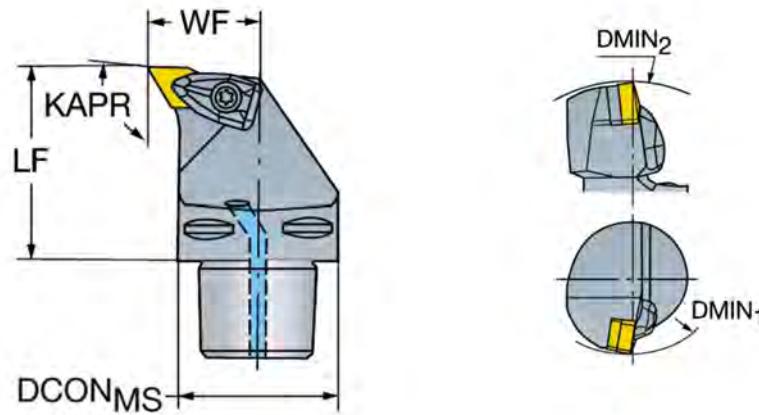


产品信息 Specification

| 主偏角-应用 (Kr)-Application | 型号 Code | DCON | WF | LF | DMIN1 | DMIN2 | Kg | ISO 刀片 ISO Insert |
|----------------------------|-----------------------|------|-----|----|-------|-------|------|----------------------|
| 62.5° | PSC4-DDNNN-00050-11 | 40 | 0.5 | 50 | -- | 140 | 0.33 | DNMG1104 |
| | PSC5-DDNNN-00060-11 | 50 | 0.5 | 60 | -- | 165 | 0.63 | DNMG1104 |
| | PSC4-DDNNN-00055-15 | 40 | 0.5 | 55 | -- | 145 | 0.33 | DNMG1506 |
| | PSC4-DDNNN-00055-1504 | 40 | 0.5 | 55 | -- | 145 | 0.33 | DNMG1504 |
| | PSC5-DDNNN-00060-15 | 50 | 0.5 | 60 | -- | 165 | 0.55 | DNMG1506 |
| | PSC5-DDNNN-00060-1504 | 50 | 0.5 | 60 | -- | 165 | 0.55 | DNMG1504 |
| | PSC6-DDNNN-00065-15 | 63 | 0.5 | 65 | -- | 190 | 1.10 | DNMG1506 |
| | PSC6-DDNNN-00065-1504 | 63 | 0.5 | 65 | -- | 190 | 1.10 | DNMG1504 |
| | PSC8-DDNNN-00080-15 | 80 | 0.5 | 80 | -- | 250 | 2.10 | DNMG1506 |

PSC 外径车削单元 External Turning Units

DDUNN-Kr62.5°

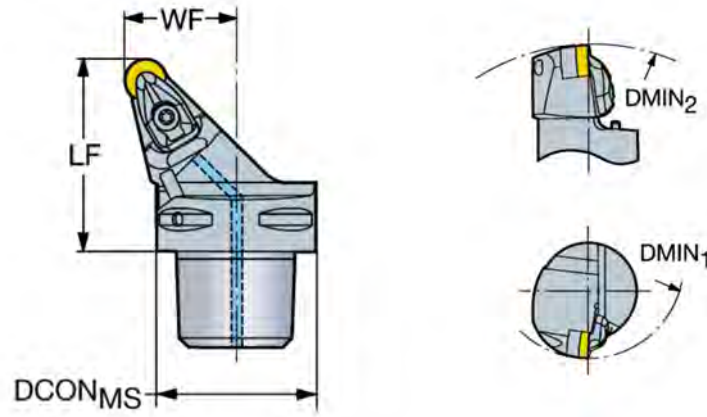


产品信息 Specification

| 主偏角-应用 (Kr)-Application | 型号 Code | DCON | WF | LF | DMIN1 | DMIN2 | Kg | ISO 刀片 ISO Insert |
|----------------------------|------------------------|------|-----|----|-------|-------|------|----------------------|
| 93° | PSC4-DDUNR/L-27050-15 | 40 | 27 | 50 | 110 | 140 | 0.45 | DNMG1506 |
| | PSC4-DDUNRL-27050-1504 | 40 | 0.5 | 60 | 110 | 140 | 0.45 | DNMG1504 |
| | PSC5-DDUNR/L-35060-15 | 50 | 0.5 | 60 | 110 | 165 | 0.70 | DNMG1506 |
| | PSC5-DDUNRL-27050-1504 | 50 | 0.5 | 65 | 110 | 165 | 0.70 | DNMG1504 |
| | PSC6-DDUNR/L-45065-15 | 63 | 0.5 | 65 | 110 | 190 | 1.30 | DNMG1506 |
| | PSC6-DDUNRL-45065-1504 | 63 | 0.5 | 80 | 110 | 190 | 1.30 | DNMG1504 |

PSC 外径车削单元 External Turning Units

DRSNR/L

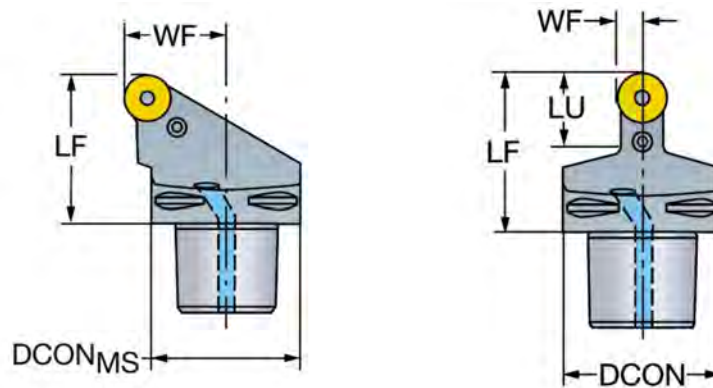


产品信息 Specification

| 主偏角-应用 (Kr)-Application | 型号 Code | DCON | WF | LF | DMIN1 | DMIN2 | Kg | ISO 刀片 ISO Insert |
|----------------------------|-----------------------|------|----|----|-------|-------|------|----------------------|
| | PSC4-DRSNRL-27050-12 | 40 | 27 | 50 | 110 | 140 | 0.33 | RNMG120400 |
| | PSC5-DRSNR/L-35060-12 | 50 | 35 | 60 | 110 | 165 | 0.70 | RNMG120400 |
| | PSC6-DRSNR/L-45065-12 | 63 | 45 | 65 | 110 | 190 | 1.10 | RNMG120400 |

PSC 外径车削单元 External Turning Units

PRSCR/L & PRDCN

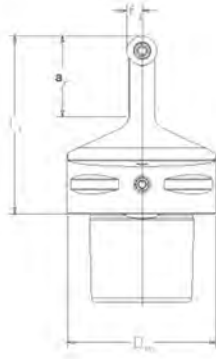


产品信息 Specification

| 主偏角-应用 (Kr)-Application | 型号 Code | DCON | WF | LF | DMIN1 | DMIN2 | Kg | ISO 刀片 ISO Insert |
|----------------------------|-----------------------|------|------|----|-------|-------|------|----------------------|
| | PSC6-PRSCR/L-45065-25 | 63 | 45 | 65 | -- | -- | 1.30 | RCMX250700 |
| | PSC6-PRDCN-00065-25A | 63 | 12.5 | 65 | -- | -- | 0.90 | RCMX250700 |

PSC 外径车削单元 External Turning Units

SRDCN & SRSCR/L

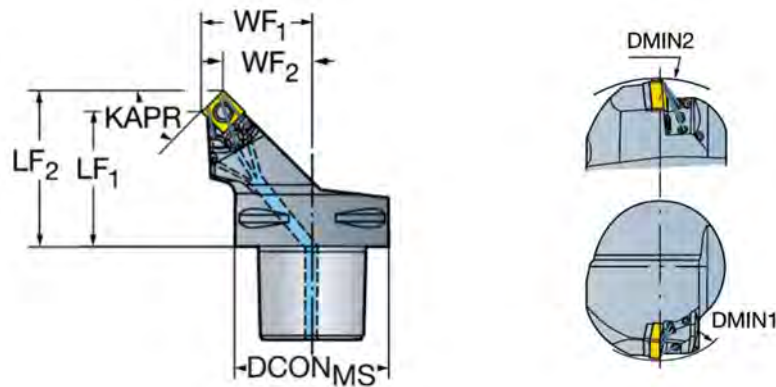


产品信息 Specification

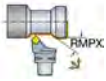
| 主偏角-应用 (Kr)-Application | 型号 Code | DCON | WF | LF | DMIN1 | DMIN2 | Kg | ISO 刀片 ISO Insert |
|----------------------------|------------------------|------|----|----|-------|-------|------|----------------------|
| | PSC32-SRDCN-00040-10A | 32 | 5 | 40 | -- | -- | 0.13 | RC.10T3M0 |
| | PSC40-SRDCN-00050-10A | 40 | 5 | 50 | -- | -- | 0.27 | RC.10T3M0 |
| | PSC50-SRDCN-00060-10A | 50 | 5 | 60 | -- | -- | 0.51 | RC.10T3M0 |
| | PSC63-SRDCN-00065-10A | 63 | 5 | 65 | -- | -- | 0.91 | RC.10T3M0 |
| | PSC50-SRSCR/L-35060-16 | 50 | 35 | 60 | -- | -- | 0.56 | RC.1606M0 |
| | PSC63-SRSCR/L-45065-16 | 63 | 45 | 65 | -- | -- | 1.03 | RC.1606M0 |

PSC 外径车削单元 External Turning Units

PSSNR/L-HP Kr45°

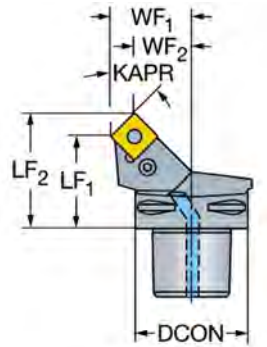


产品信息 Specification

| 主偏角 (Kr) | 型号 Code | DCON | LF1 | LF2 | WF1 | WF2 | DMIN1 | DMIN2 | Kg | ISO 刀片 ISO Insert |
|---|-------------------------|------|-----|------|-----|------|-------|-------|-----|----------------------|
|  45° | PSC4-PSSNR/L-27042-12HP | 40 | 42 | 50.3 | 27 | 18.7 | 90 | 145 | 0.3 | SNMG1204 |
| | PSC5-PSSNR/L-35052-12HP | 50 | 52 | 60.3 | 35 | 26.7 | 110 | 165 | 0.7 | SNMG1204 |
| | PSC6-PSSNR/L-45056-12HP | 63 | 56 | 64.3 | 45 | 36.7 | 110 | 200 | 1.1 | SNMG1204 |
| | PSC5-PSSNR/L-35052-15HP | 50 | 50 | 60.2 | 35 | 24.8 | 110 | 165 | 0.7 | SNMG1506 |
| | PSC6-PSSNR/L-45056-15HP | 63 | 54 | 64.2 | 45 | 34.8 | 110 | 200 | 1.1 | SNMG1506 |
| | PSC6-PSSNR/L-45056-19HP | 63 | 52 | 64.5 | 45 | 32.5 | 110 | 180 | 1.1 | SNMG1506 |

PSC 外径车削单元 External Turning Units

PSSNR/L-Kr45°



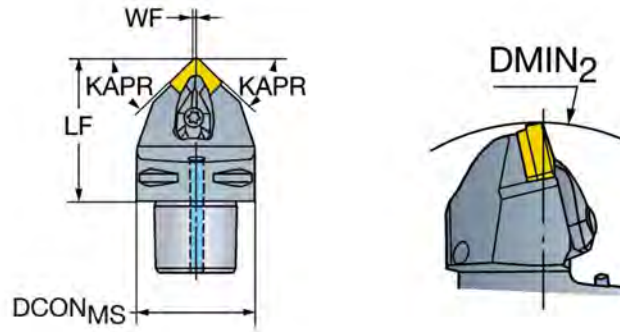
产品信息 Specification

| 主偏角 (Kr) | 型号 Code | DCON | LF1 | LF2 | WF1 | WF2 | Kg | ISO 刀片 ISO Insert |
|-------------|-----------------------|------|-----|------|-----|------|------|----------------------|
| 45° | PSC3-PSSNR-22032-12 | 32 | 32 | 40.3 | 22 | 13.7 | 0.21 | SNMG1204 |
| | PSC4-PSSNR/L-27042-12 | 40 | 42 | 50.3 | 27 | 18.7 | 0.33 | SNMG1204 |
| | PSC5-PSSNR/L-35052-12 | 50 | 52 | 60.3 | 35 | 26.7 | 0.7 | SNMG1204 |
| | PSC6-PSSNR/L-45056-12 | 63 | 56 | 64.3 | 45 | 36.7 | 1.1 | SNMG1204 |
| | PSC4-PSSNRAL-27040-15 | 40 | 40 | 50.2 | 27 | 16.8 | 0.33 | SNMG1506 |
| | PSC5-PSSNR/L-35050-15 | 50 | 50 | 60.2 | 35 | 24.8 | 0.55 | SNMG1506 |
| | PSC6-PSSNR/L-45054-15 | 63 | 54 | 64.2 | 45 | 34.8 | 1.1 | SNMG1506 |
| | PSC5-PSSNR/L-35048-19 | 50 | 48 | 60.5 | 35 | 22.5 | 0.55 | SNMG1906 |
| | PSC6-PSSNR/L-45052-19 | 63 | 52 | 64.5 | 45 | 32.5 | 1.1 | SNMG1906 |

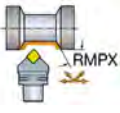


PSC 外径车削单元 External Turning Units

DSDNN-Kr45°

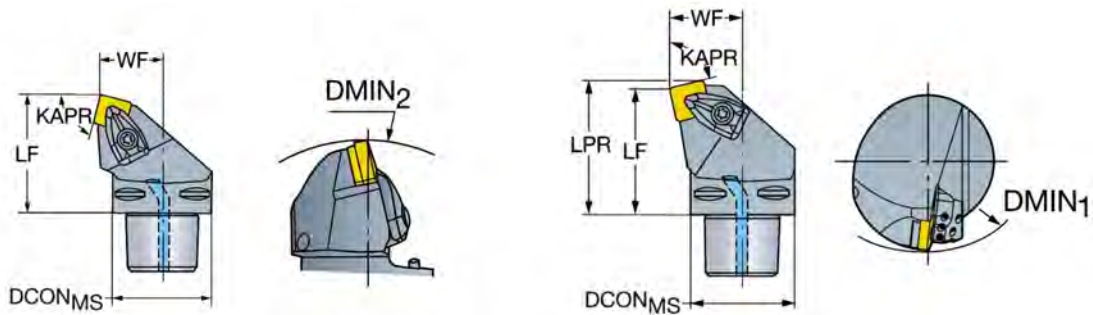


产品信息 Specification

| 主偏角 (Kr) | 型号 Code | DCON | WF | LF | DMIN2 | Kg | ISO 刀片 ISO Insert |
|--|---------------------|------|-----|----|-------|------|----------------------|
| 45°  | PSC3-DSDNN-00048-12 | 32 | 0.3 | 48 | 124 | 0.3 | SNMG1204 |
| | PSC4-DSDNN-00050-12 | 40 | 0.3 | 50 | 140 | 0.4 | SNMG1204 |
| | PSC5-DSDNN-00060-12 | 50 | 0.3 | 60 | 165 | 0.7 | SNMG1204 |
| | PSC6-DSDNN-00065-12 | 63 | 0.3 | 65 | 190 | 1.33 | SNMG1204 |
| | PSC5-DSDNN-00060-15 | 50 | 0.5 | 60 | 165 | 0.7 | SNMG1506 |
| | PSC6-DSDNN-00065-15 | 50 | 0.5 | 65 | 190 | 1.1 | SNMG1506 |
| | PSC5-DSDNN-00065-19 | 50 | 0.5 | 65 | 170 | 0.7 | SNMG1906 |
| | PSC6-DSDNN-00070-19 | 63 | 0.5 | 70 | 195 | 1.1 | SNMG1906 |

PSC 外径车削单元 External Turning Units

DSRNR/L-Kr75° & DSKNR/L- Kr75°



产品信息 Specification

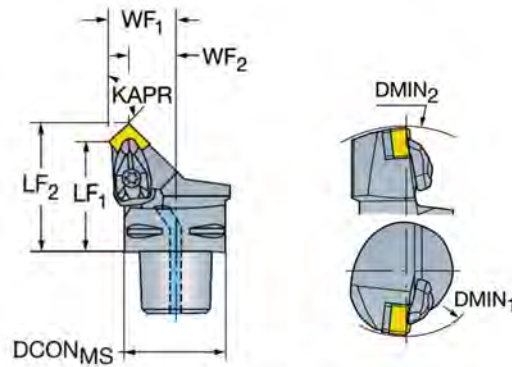
| 主偏角 (Kr) | 型号 Code | DCON | WF | LF | DMIN1 | DMIN2 | Kg | ISO 刀片 ISO Insert |
|----------|-----------------------|------|----|----|-------|-------|------|-------------------|
| 75° | PSC3-DSRNR-19048-12 | 32 | 19 | 48 | -- | 124 | 0.22 | SNMG1204 |
| | PSC4-DSRNR/L-22050-12 | 40 | 20 | 50 | -- | 140 | 0.42 | SNMG1204 |
| | PSC5-DSRNR/L-27060-12 | 50 | 27 | 60 | -- | 165 | 0.87 | SNMG1204 |
| | PSC6-DSRNR/L-35065-12 | 63 | 35 | 65 | -- | 190 | 1.33 | SNMG1204 |
| | PSC5-DSRNR/L-27060-15 | 50 | 27 | 60 | -- | 165 | 0.71 | SNMG1506 |
| | PSC6-DSRNR/L-35065-15 | 63 | 35 | 65 | -- | 190 | 1.33 | SNMG1506 |
| | PSC5-DSRNR/L-27060-19 | 50 | 27 | 60 | -- | 165 | 0.71 | SNMG1906 |
| | PSC6-DSRNR/L-35065-19 | 63 | 35 | 65 | -- | 190 | 1.33 | SNMG1906 |
| 75° | PSC3-DSKNR/L-22040-12 | 32 | 22 | 40 | 60 | -- | 0.24 | SNMG1204 |
| | PSC4-DSKNR/L-27050-12 | 40 | 27 | 50 | 110 | -- | 0.46 | SNMG1204 |
| | PSC5-DSKNR/L-35060-12 | 50 | 35 | 60 | 110 | -- | 0.85 | SNMG1204 |
| | PSC6-DSKNR/L-45065-12 | 63 | 45 | 65 | 110 | -- | 1.32 | SNMG1204 |
| | PSC5-DSKNR/L-35060-15 | 50 | 35 | 60 | 125 | -- | 0.85 | SNMG1506 |
| | PSC6-DSKNR/L-45065-15 | 63 | 45 | 65 | 125 | -- | 1.32 | SNMG1506 |
| | PSC5-DSKNR/L-35060-19 | 50 | 35 | 60 | 125 | -- | 0.72 | SNMG1906 |
| | PSC6-DSKNR/L-45065-19 | 63 | 45 | 65 | 125 | -- | 1.32 | SNMG1906 |
| | PSC8-DSKNR/L-55080-19 | 80 | 55 | 80 | 125 | -- | 2.54 | SNMG1906 |

Hi-Tech Cutting Tool Co., Ltd.

Tel: +86 769 8150 2920 Fax: +86 769 81502952 Email: shirleypeng@htcuttingtool.com Web: www.htcuttingtool.com
 Add: No. 8, West 1st District, Shihe Road, Shilongkeng Village, Liaobu Town, Dongguan City, China

PSC 外径车削单元 External Turning Units

DSSNR/L-Kr45°

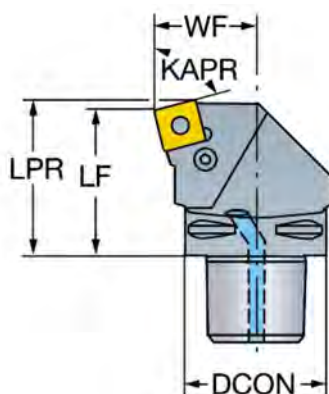


产品信息 Specification

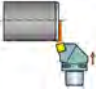
| 主偏角 (Kr) | 型号 Code | DCON | LF1 | LF2 | WF1 | WF2 | DMIN1 | DMIN2 | Kg | ISO 刀片 ISO Insert |
|--|-----------------------|------|-----|------|-----|------|-------|-------|------|----------------------|
| 45°  | PSC3-DSSNR/L-22040-12 | 32 | 40 | 48.3 | 22 | 13.7 | 60 | 124 | 0.25 | SNMG1204 |
| | PSC4-DSSNR/L-27042-12 | 40 | 42 | 50.3 | 27 | 18.7 | 110 | 140 | 0.33 | SNMG1204 |
| | PSC5-DSSNR/L-35052-12 | 50 | 52 | 60.3 | 35 | 26.7 | 110 | 165 | 0.66 | SNMG1204 |
| | PSC6-DSSNR/L-45056-12 | 63 | 56 | 64.3 | 45 | 36.7 | 110 | 190 | 1.09 | SNMG1204 |
| | PSC4-DSSNRL-27045-15 | 40 | 45 | 55.2 | 27 | 16.8 | 125 | 145 | 0.26 | SNMG1506 |
| | PSC5-DSSNR/L-35050-15 | 50 | 50 | 60.2 | 36 | 24.8 | 125 | 165 | 0.71 | SNMG1506 |
| | PSC6-DSSNRL-45054-15 | 63 | 54 | 64.2 | 45 | 34.8 | 125 | 190 | 1.09 | SNMG1506 |
| | PSC5-DSSNRIL-35048-19 | 50 | 48 | 60.5 | 35 | 22.5 | 125 | 165 | 0.71 | SNMG1906 |
| | PSC6-DSSNRL-45052-19 | 63 | 52 | 64.5 | 45 | 32.5 | 125 | 190 | 1.09 | SNMG1906 |

PSC 外径车削单元 External Turning Units

PSKNR/L-Kr75°

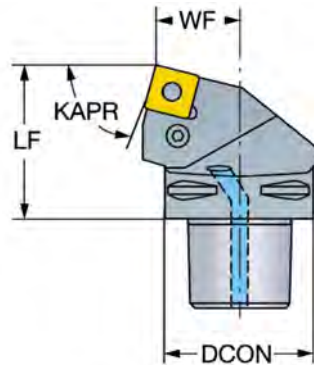


产品信息 Specification

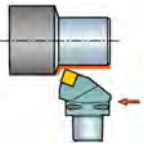
| 主偏角 (Kr) | 型号 Code | DCON | LF | WF | LPR | DMIN1 | DMIN2 | Kg | ISO 刀片 ISO Insert |
|--|-----------------------|------|----|----|------|-------|-------|------|----------------------|
| 75°  | PSC4-PSKNR/L-27050-12 | 40 | 50 | 27 | 53.1 | -- | -- | 0.51 | SNMG1204 |
| | PSC5-PSKNR/L-35060-12 | 50 | 60 | 35 | 63.1 | -- | -- | 0.86 | SNMG1204 |
| | PSC6-PSKNR/L-45065-12 | 63 | 65 | 45 | 68.1 | -- | -- | 1.70 | SNMG1204 |
| | PSC4-PSKNR/L-27050-15 | 40 | 50 | 27 | 54.8 | -- | -- | 0.33 | SNMG1506 |
| | PSC5-PSKNR/L-35060-15 | 50 | 60 | 35 | 63.8 | -- | -- | 0.86 | SNMG1506 |
| | PSC6-PSKNR/L-45065-15 | 63 | 65 | 45 | 68.8 | -- | -- | 1.70 | SNMG1506 |
| | PSC5-PSKNR/L-35060-19 | 50 | 60 | 35 | 64.6 | -- | -- | 0.86 | SNMG1906 |
| | PSC6-PSKNR/L-45065-19 | 63 | 65 | 45 | 69.6 | -- | -- | 1.34 | SNMG1906 |

PSC 外径车削单元 External Turning Units

PSRNR/L-Kr75°

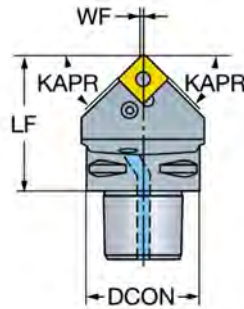


产品信息 Specification

| 主偏角 (Kr) | 型号 Code | DCON | WF | LF | DMIN1 | DMIN2 | Kg | ISO 刀片 ISO Insert |
|--|-----------------------|------|----|----|-------|-------|------|----------------------|
|  75° | PSC4-PSRNR/L-22050-12 | 40 | 22 | 50 | -- | -- | 0.45 | SNMG1204 |
| | PSC5-PSRNR/L-27060-12 | 50 | 27 | 60 | -- | -- | 0.87 | SNMG1204 |
| | PSC6-PSRNR/L-35065-12 | 63 | 35 | 65 | -- | -- | 1.34 | SNMG1204 |
| | PSC4-PSRNR/L-22050-15 | 40 | 22 | 50 | -- | -- | 0.42 | SNMG1506 |
| | PSC5-PSRNR/L-27060-15 | 50 | 27 | 60 | -- | -- | 0.86 | SNMG1506 |
| | PSC6-PSRNR/L-35065-15 | 63 | 35 | 65 | -- | -- | 1.34 | SNMG1506 |
| | PSC5-PSRNR/L-27060-19 | 50 | 27 | 60 | -- | -- | 0.86 | SNMG1906 |
| | PSC6-PSRNR/L-35065-19 | 63 | 35 | 65 | -- | -- | 1.34 | SNMG1906 |

PSC 外径车削单元 External Turning Units

PSDNN-Kr45°

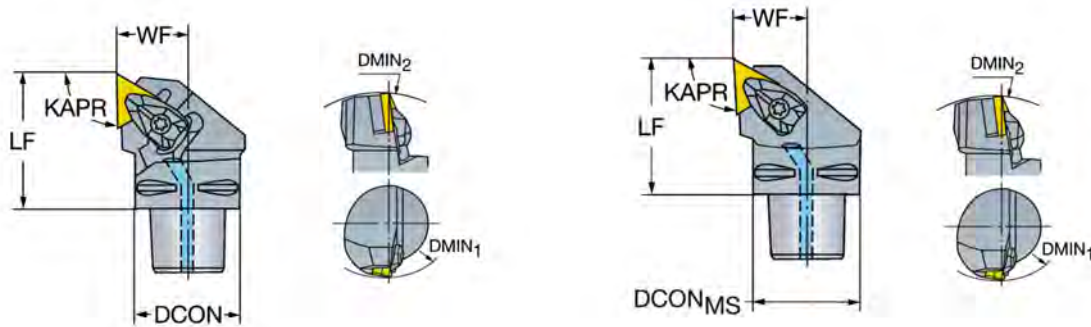


产品信息 Specification

| 主偏角 (Kr) | 型号 Code | DCON | WF | LF | DMIN1 | DMIN2 | Kg | ISO 刀片 ISO Insert |
|-------------|---------------------|------|-----|----|-------|-------|------|----------------------|
| | PSC4-PSDNN-00050-12 | 40 | 0.3 | 50 | -- | -- | 0.33 | SNMG1204 |
| | PSC5-PSDNN-00060-12 | 50 | 0.3 | 60 | -- | -- | 0.71 | SNMG1204 |
| | PSC4-PSDNN-00065-12 | 63 | 0.3 | 65 | -- | -- | 1.35 | SNMG1204 |
| | PSC4-PSDNN-00050-15 | 40 | 0.5 | 50 | -- | -- | 0.33 | SNMG1506 |
| | PSC5-PSDNN-00060-15 | 50 | 0.5 | 60 | -- | -- | 0.71 | SNMG1506 |
| | PSC6-PSDNN-00065-15 | 63 | 0.5 | 65 | -- | -- | 1.10 | SNMG1506 |
| | PSC5-PSDNN-00060-19 | 50 | 0.5 | 60 | -- | -- | 0.86 | SNMG1906 |
| | PSC6-PSDNN-00065-19 | 63 | 0.5 | 65 | -- | -- | 1.10 | SNMG1906 |
| | PSC6-PSDNN-00065-25 | 63 | 1.0 | 65 | -- | -- | 1.10 | SNMG2507 |

PSC 外径车削单元 External Turning Units

DTGNR/L-Kr91° & DTJNR/L-Kr93°

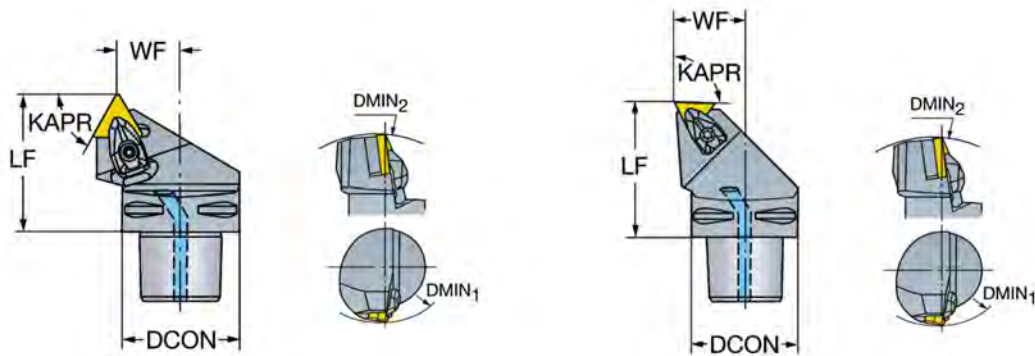


产品信息 Specification

| 主偏角 (Kr) | 型号 Code | DCON | WF | LF | DMIN1 | DMIN2 | Kg | ISO 刀片 ISO Insert |
|--|-----------------------|------|----|----|-------|-------|------|----------------------|
| 91°  | PSC4-DTGNR/L-27050-16 | 40 | 27 | 50 | 110 | 140 | 0.55 | TNMG1604 |
| | PSC5-DTGNL-35060-16 | 50 | 35 | 60 | 110 | 165 | 0.70 | TNMG1604 |
| | PSC6-DTGNRL-45065-16 | 63 | 45 | 65 | 110 | 190 | 1.30 | TNMG1604 |
| | PSC4-DTGNRIL-27050-22 | 40 | 27 | 50 | 110 | 140 | 0.47 | TNMG2204 |
| | PSC5-DTGNL-35060-22 | 50 | 35 | 60 | 110 | 165 | 0.84 | TNMG2204 |
| | PSC6-DTGNRL-45065-22 | 63 | 45 | 65 | 110 | 190 | 1.30 | TNMG2204 |
| 93°  | PSC3-DTJNR/L-22040-16 | 32 | 22 | 40 | 60 | 116 | 0.22 | TNMG1604 |
| | PSC4-DTJNR/L-27050-16 | 40 | 27 | 50 | 110 | 140 | 0.55 | TNMG1604 |
| | PSC5-DTJNR/L-35060-16 | 50 | 35 | 60 | 110 | 165 | 0.70 | TNMG1604 |
| | PSC6-DTJNR/L-45065-16 | 63 | 45 | 65 | 110 | 190 | 1.31 | TNMG1604 |
| | PSC4-DTJNR/L-27050-22 | 40 | 27 | 50 | 110 | 140 | 0.55 | TNMG2204 |
| | PSC5-DTJNR/L-35060-22 | 50 | 35 | 60 | 110 | 165 | 0.84 | TNMG2204 |
| | PSC6-DTJNR/L-45065-22 | 63 | 45 | 65 | 110 | 190 | 1.31 | TNMG2204 |
| | PSC6-DTJNR/L-45065-27 | 63 | 45 | 65 | 110 | 190 | 1.31 | TNMG2706 |

PSC 外径车削单元 External Turning Units

DTTNR/L-Kr60° & DTFNR/L-Kr91°

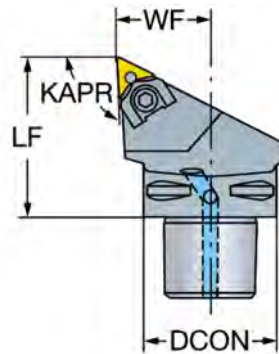


产品信息 Specification

| 主偏角 (Kr) | 型号 Code | DCON | WF | LF | DMIN1 | DMIN2 | Kg | ISO 刀片 ISO Insert |
|-------------|-----------------------|------|----|----|-------|-------|------|----------------------|
| 60° | PSC4-DTTNR/L-22050-16 | 40 | 22 | 50 | -- | 140 | 0.34 | TNMG1604 |
| | PSC5-DTTNL-27060-16 | 50 | 27 | 60 | -- | 165 | 0.7 | TNMG1604 |
| | PSC5-DTTNR/L-27060-22 | 50 | 27 | 60 | -- | 165 | 0.7 | TNMG2204 |
| | PSC6-DTTNR/L-35065-22 | 63 | 35 | 65 | -- | 190 | 1.1 | TNMG2204 |
| 91° | PSC3-DTFNL-22040-16 | 32 | 22 | 40 | 60 | 116 | 0.22 | TNMG1604 |
| | PSC4-DTFNR/L-27050-16 | 40 | 27 | 50 | 110 | 140 | 0.42 | TNMG1604 |
| | PSC5-DTFNR/L-35060-16 | 50 | 35 | 60 | 110 | 165 | 0.7 | TNMG1604 |
| | PSC6-DTFNR/L-45065-16 | 63 | 45 | 65 | 110 | 190 | 1.3 | TNMG1604 |
| | PSC4-DTFNRL-27050-22 | 40 | 27 | 50 | 110 | 140 | 0.55 | TNMG2204 |
| | PSC5-DTFNRL-35060-22 | 50 | 35 | 60 | 110 | 165 | 0.84 | TNMG2204 |
| | PSC6-DTFNRL-45065-22 | 63 | 45 | 65 | 110 | 190 | 1.3 | TNMG2204 |

PSC 外径车削单元 External Turning Units

MTJNR/L-Kr93°

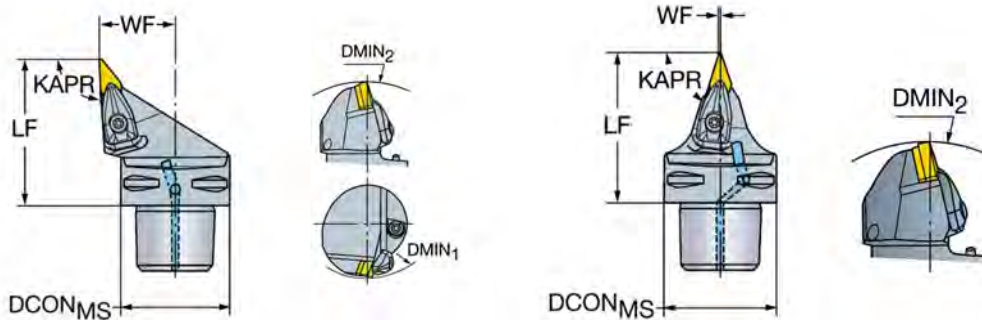


产品信息 Specification

| 主偏角 (Kr) | 型号 Code | DCON | WF | LF | DMIN1 | DMIN2 | Kg | ISO 刀片 ISO Insert |
|---|-----------------------|------|----|----|-------|-------|------|----------------------|
|  93° | PSC3-MTJNR/L-22040-16 | 32 | 22 | 40 | -- | -- | 0.22 | TNMG1604 |
| | PSC4-MTJNR/L-27050-16 | 40 | 27 | 50 | -- | -- | 0.42 | TNMG1604 |
| | PSC5-MTJNR/L-35060-16 | 50 | 35 | 60 | -- | -- | 0.85 | TNMG1604 |
| | PSC4-MTJNR/L-27050-22 | 40 | 27 | 50 | -- | -- | 0.42 | TNMG2204 |
| | PSC5-MTJNR/L-35060-22 | 50 | 35 | 60 | -- | -- | 0.89 | TNMG2204 |
| | PSC6-MTJNR/L-45065-22 | 63 | 45 | 65 | -- | -- | 1.31 | TNMG2204 |
| | PSC6-MTJNR/L-45065-27 | 63 | 45 | 65 | -- | -- | 1.31 | TNMG2706 |

PSC 外径车削单元 External Turning Units

DVJNR/L-Kr93° & DVVNN- Kr72.5°

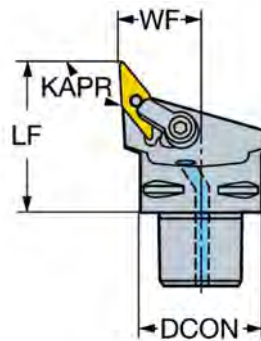


产品信息 Specification

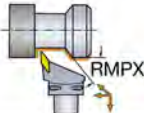
| 主偏角 (Kr) | 型号 Code | DCON | WF | LF | DMIN1 | DMIN2 | Kg | ISO 刀片 ISO Insert |
|-------------|-----------------------|------|-----|-----|-------|-------|------|----------------------|
| 93° | PSC4-DVJNR/L-27062-16 | 40 | 27 | 62 | 60 | 152 | 0.5 | VNMG1604 |
| | PSC5-DVJNR/L-35065-16 | 50 | 35 | 65 | 65 | 170 | 0.7 | VNMG1604 |
| | PSC4-DVJNR/L-27062-16 | 40 | 27 | 62 | 81 | 190 | 1.3 | VNMG1604 |
| | PSC5-DVJNR/L-35065-16 | 50 | 35 | 65 | 100 | 250 | 0.42 | VNMG1604 |
| 72.5° | PSC4-DVVNN-00062-16 | 40 | 0.6 | 152 | -- | 152 | 0.34 | VNMG1604 |
| | PSC5-DVVNN-00065-16 | 50 | 0.6 | 170 | -- | 170 | 0.46 | VNMG1604 |
| | PSC6-DVVNN-00065-16 | 63 | 0.6 | 190 | -- | 190 | 0.9 | VNMG1604 |

PSC 外径车削单元 External Turning Units

MVJNR/L-Kr93°

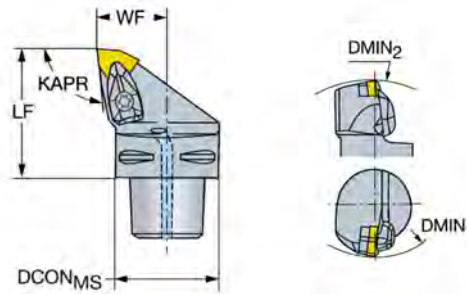


产品信息 Specification

| 主偏角 (Kr) | 型号 Code | DCON | WF | LF | DMIN1 | DMIN2 | Kg | ISO 刀片 ISO Insert |
|--|-----------------------|------|----|----|-------|-------|------|----------------------|
|  93° | PSC3-MVJNR/L-22045-16 | 32 | 22 | 45 | -- | -- | 0.22 | VNMG1604 |
| | PSC4-MVJNR/L-27050-16 | 40 | 27 | 50 | -- | -- | 0.66 | VNMG1604 |
| | PSC5-MVJNR/L-35060-16 | 50 | 35 | 60 | -- | -- | 0.85 | VNMG1604 |

PSC 外径车削单元 External Turning Units

DWLNR/L-Kr95°

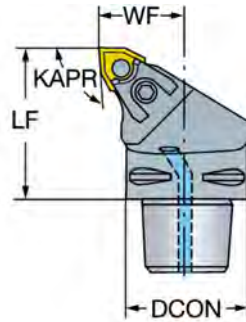


产品信息 Specification

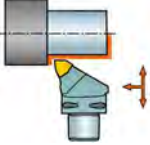
| 主偏角 (Kr) | 型号 Code | DCON | WF | LF | DMIN1 | DMIN2 | Kg | ISO 刀片 ISO Insert |
|-------------|------------------------|------|----|----|-------|-------|------|----------------------|
| 95° | PSC3-DWLNR/L-22040-06 | 32 | 22 | 40 | 60 | 116 | 0.21 | WNMG0604 |
| | PSC4-DWLNR/L-27050-06 | 40 | 27 | 50 | 60 | 140 | 0.42 | WNMG0604 |
| | PSC5-DWLNR/L-35060-06 | 50 | 35 | 60 | 65 | 165 | 0.7 | WNMG0604 |
| | PSC6-DWLNR/L-45065-06 | 63 | 45 | 65 | 81 | 190 | 1.3 | WNMG0604 |
| | PSC4-DWLNR/L-27050-08 | 40 | 27 | 50 | 110 | 140 | 0.42 | WNMG0804 |
| | PSC5-DWLNR/L-35060-08 | 50 | 35 | 60 | 110 | 165 | 0.7 | WNMG0804 |
| | PSC6-DWLNR/L-45065-08 | 63 | 45 | 65 | 110 | 190 | 1.3 | WNMG0804 |
| | PSC80-DWLNR/L-55080-08 | 80 | 55 | 80 | 110 | -- | 2.4 | WNMG0804 |

PSC 外径车削单元 External Turning Units

MWLNR/L-Kr95°

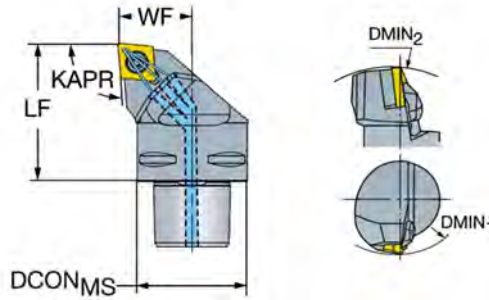


产品信息 Specification

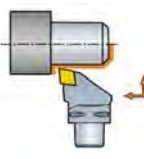
| 主偏角 (Kr) | 型号 Code | DCON | WF | LF | DMIN1 | DMIN2 | Kg | ISO 刀片 ISO Insert |
|--|-----------------------|------|----|----|-------|-------|------|----------------------|
| 95°  | PSC3-MWLNR/L-22040-06 | 32 | 22 | 40 | -- | -- | 0.22 | WNMG0604 |
| | PSC4-MWLNR/L-27050-06 | 40 | 27 | 50 | -- | -- | 0.42 | WNMG0604 |
| | PSC4-MWLNR/L-27050-08 | 40 | 27 | 50 | -- | -- | 0.31 | WNMG0804 |
| | PSC5-MWLNR/L-35060-08 | 50 | 45 | 60 | -- | -- | 0.85 | WNMG0804 |

PSC 外径车削单元 External Turning Units

SCLCR/L-HPA Kr95°

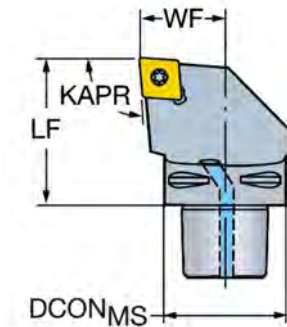


产品信息 Specification

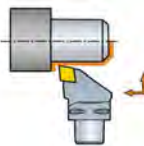
| 主偏角 (Kr) | 型号 Code | DCON | WF | LF | DMIN1 | DMIN2 | Kg | ISO 刀片 ISO Insert |
|---|--------------------------|------|----|----|-------|-------|------|----------------------|
|  95° | PSC3-SCLCRL-22040-09HPA | 32 | 22 | 40 | 130 | 116 | 0.19 | CCMT09T3 |
| | PSC4-SCLCRL-27050-09HPA | 40 | 27 | 50 | 130 | 140 | 0.38 | CCMT09T3 |
| | PSC4-SCLCR/L-27050-12HPA | 40 | 27 | 50 | 130 | 140 | 0.38 | CCMT1204 |
| | PSC6-SCLCRL-45065-12HPA | 63 | 45 | 65 | 125 | 190 | 1.21 | CCMT1204 |

PSC 外径车削单元 External Turning Units

SCLCR/L Kr95°

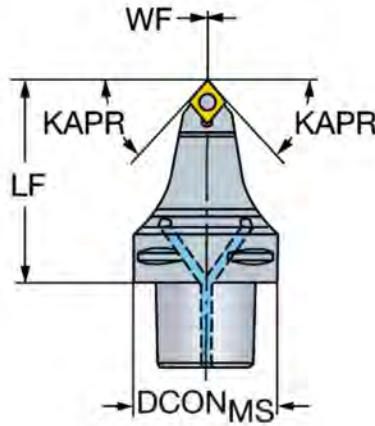


产品信息 Specification

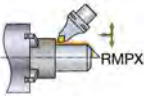
| 主偏角 (Kr) | 型号 Code | DCON | WF | LF | DMIN1 | DMIN2 | Kg | ISO 刀片 ISO Insert |
|--|-----------------------|------|----|----|-------|-------|------|----------------------|
| 95°  | PSC3-SCLCR/L-22040-09 | 32 | 22 | 40 | -- | -- | 0.13 | CCMT09T3 |
| | PSC4-SCLCR/L-27050-09 | 40 | 27 | 50 | -- | -- | 0.34 | CCMT09T3 |
| | PSC5-SCLCR/L-35060-09 | 50 | 35 | 60 | -- | -- | 0.64 | CCMT09T3 |
| | PSC6-SCLCR/L-45065-09 | 63 | 45 | 65 | -- | -- | 1.1 | CCMT09T3 |
| | PSC3-SCLCR/L-22040-12 | 32 | 22 | 40 | -- | -- | 0.13 | CCMT1204 |
| | PSC4-SCLCR/L-27050-12 | 40 | 27 | 50 | -- | -- | 0.34 | CCMT1204 |
| | PSC5-SCLCR/L-35060-12 | 50 | 35 | 60 | -- | -- | 0.64 | CCMT1204 |
| | PSC6-SCLCR/L-45065-12 | 63 | 45 | 65 | -- | -- | 1.1 | CCMT1204 |

PSC 外径车削单元 External Turning Units

SCMCN Kr45°

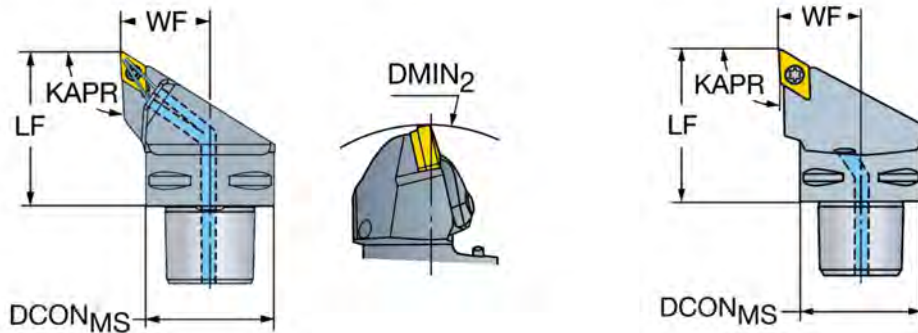


产品信息 Specification

| 主偏角 (Kr) | 型号 Code | DCON | WF | LF | DMIN1 | DMIN2 | Kg | ISO 刀片 ISO Insert |
|--|---------------------|------|-----|----|-------|-------|-----|----------------------|
| 45°  | PSC6-SCMCN-00090-12 | 63 | 1.3 | 90 | -- | -- | 1.3 | CCMT1204 |

PSC 外径车削单元 External Turning Units

SDJCR/L-HPA Kr93° & SDJCR/L Kr93°

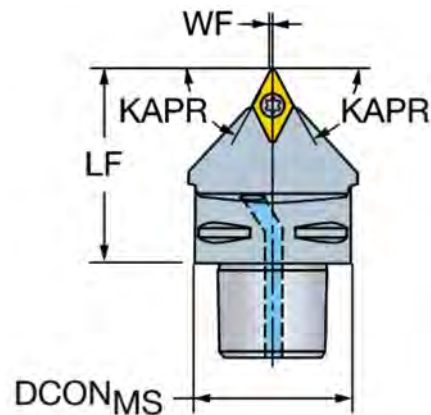


产品信息 Specification

| 主偏角 (Kr) | 型号 Code | DCON | WF | LF | DMIN1 | DMIN2 | Kg | ISO 刀片 ISO Insert |
|-------------|--------------------------|------|----|----|-------|-------|------|----------------------|
| 93° | PSC3-SDJCR/L-22040-11HPA | 32 | 22 | 40 | -- | 116 | 0.19 | DCMT11T3 |
| | PSC4-SDJCR/L-27050-11HPA | 40 | 27 | 50 | -- | 165 | 0.38 | DCMT11T3 |
| | PSC5-SDJCR/L-35060-11HPA | 50 | 35 | 60 | -- | 190 | 0.7 | DCMT11T3 |
| | PSC6-SDJCR/L-45065-11HPA | 63 | 45 | 65 | -- | 190 | 1.21 | DCMT11T3 |
| | PSC3-SDJCR-22040-07 | 32 | 22 | 40 | -- | -- | 0.13 | DCMT0702 |
| | PSC4-SDJCR-27050-07 | 40 | 27 | 50 | -- | -- | 0.34 | DCMT0702 |
| | PSC3-SDJCR/L-22040-11 | 32 | 22 | 40 | -- | -- | 0.13 | DCMT11T3 |
| | PSC4-SDJCR/L-27050-11 | 40 | 27 | 50 | -- | -- | 0.34 | DCMT11T3 |
| | PSC5-SDJCR/L-35060-11 | 50 | 35 | 60 | -- | -- | 0.62 | DCMT11T3 |
| | PSC6-SDJCR/L-45065-11 | 63 | 45 | 65 | -- | -- | 1.1 | DCMT11T3 |

PSC 外径车削单元 External Turning Units

SDNCN Kr62.5°

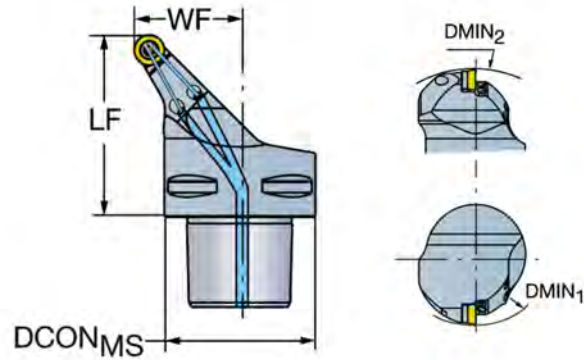


产品信息 Specification

| 主偏角 (Kr) | 型号 Code | DCON | WF | LF | DMIN1 | DMIN2 | Kg | ISO 刀片 ISO Insert |
|-------------|---------------------|------|-----|----|-------|-------|------|----------------------|
| 62.5° | PSC3-SDNCN-00040-11 | 32 | 0.5 | 40 | -- | -- | 0.13 | DCMT11T3 |
| | PSC4-SDNCN-00050-11 | 40 | 0.5 | 50 | -- | -- | 0.45 | DCMT11T3 |
| | PSC5-SDNCN-00060-11 | 50 | 0.5 | 60 | -- | -- | 0.58 | DCMT11T3 |

PSC 外径车削单元 External Turning Units

SRSCR/L-HP

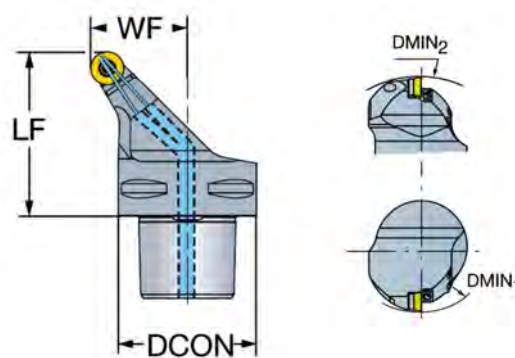


产品信息 Specification

| 主偏角 (Kr) | 型号 Code | DCON | WF | LF | DMIN1 | DMIN2 | Kg | ISO 刀片 ISO Insert |
|-------------|-------------------------|------|----|----|-------|-------|------|----------------------|
| | PSC5-SRSCRL-35060-10HP | 50 | 35 | 60 | 130 | 270 | 0.7 | RCMT10T3 |
| | PSC6-SRSCRL-45065-10HP | 63 | 45 | 65 | 140 | 300 | 1.21 | RCMT10T3 |
| | PSC5-SRSCR/L-35060-12HP | 50 | 35 | 60 | 130 | 270 | 0.7 | RCMT1204 |
| | PSC6-SRSCRL-45065-12HP | 63 | 45 | 65 | 120 | 195 | 1.1 | RCMT1204 |

PSC 外径车削单元 External Turning Units

SRSCR/L-HPA

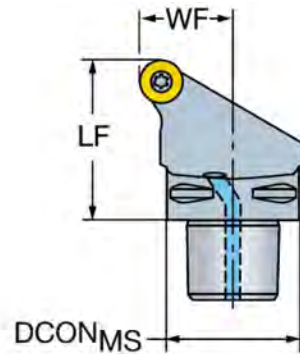


产品信息 Specification

| 主偏角 (Kr) | 型号 Code | DCON | WF | LF | DMIN1 | DMIN2 | Kg | ISO 刀片 ISO Insert |
|-------------|--------------------------|------|----|----|-------|-------|------|----------------------|
| | PSC5-SRSCR/L-35060-12HPA | 50 | 35 | 60 | 150 | 165 | 0.7 | RCMT1204 |
| | PSC6-SRSCR/L-45065-12HPA | 63 | 45 | 65 | 150 | 190 | 1.21 | RCMT1204 |
| | PSC5-SRSCR/L-35060-16HPA | 50 | 35 | 60 | 175 | 165 | 0.7 | RCMT1606 |
| | PSC6-SRSCR/L-45065-16HPA | 63 | 45 | 65 | 175 | 190 | 1.1 | RCMT1606 |

PSC 外径车削单元 External Turning Units

SRSCR/L



产品信息 Specification

| 主偏角 (Kr) | 型号 Code | DCON | WF | LF | DMIN1 | DMIN2 | Kg | ISO 刀片 ISO Insert |
|-------------|-----------------------|------|----|----|-------|-------|------|----------------------|
| | PSC4-SRSCR-27050-06 | 40 | 27 | 50 | -- | -- | 0.33 | RCMT0602M0 |
| | PSC5-SRSCR/L-35060-06 | 50 | 35 | 60 | -- | -- | 0.7 | RCMT0602M0 |
| | PSC4-SRSCR/L-27050-08 | 40 | 27 | 50 | -- | -- | 0.33 | RCMT0803M0 |
| | PSC5-SRSCR/L-35060-08 | 50 | 35 | 60 | -- | -- | 0.7 | RCMT0803M0 |
| | PSC3-SRSCR-22040-10 | 32 | 22 | 40 | -- | -- | 0.2 | RCMT10T3M0 |
| | PSC4-SRSCR/L-27050-10 | 40 | 27 | 50 | -- | -- | 0.33 | RCMT10T3M0 |
| | PSC5-SRSCR/L-35060-10 | 50 | 35 | 60 | -- | -- | 0.7 | RCMT10T3M0 |
| | PSC6-SRSCR/L-45065-10 | 63 | 45 | 65 | -- | -- | 1.1 | RCMT10T3M0 |
| | PSC4-SRSCR/L-27050-12 | 40 | 27 | 50 | -- | -- | 0.4 | RCMT1204M0 |
| | PSC5-SRSCR/L-35060-12 | 50 | 35 | 60 | -- | -- | 0.7 | RCMT1204M0 |
| | PSC6-SRSCR/L-45065-12 | 63 | 45 | 65 | -- | -- | 1.1 | RCMT1204M0 |
| | PSC5-SRSCR/L-35060-16 | 50 | 35 | 60 | -- | -- | 0.7 | RCMT1606M0 |
| | PSC6-SRSCR/L-45065-16 | 63 | 45 | 65 | -- | -- | 1.1 | RCMT1606M0 |
| | PSC5-SRSCR/L-35060-20 | 50 | 35 | 60 | -- | -- | 0.86 | RCMT2006M0 |
| | PSC6-SRSCR/L-45065-20 | 63 | 45 | 65 | -- | -- | 1.35 | RCMT2006M0 |

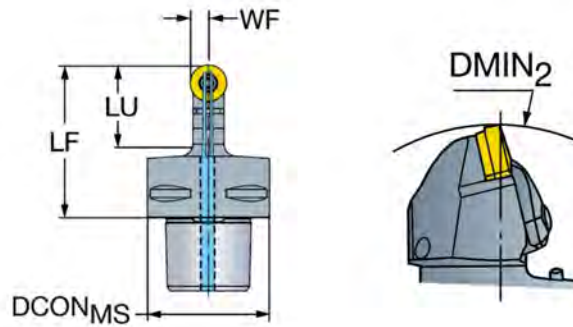
50

Hi-Tech Cutting Tool Co., Ltd.

Tel: +86 769 8150 2920 Fax: +86 769 81502952 Email: shirleypeng@htcuttingtool.com Web: www.htcuttingtool.com
 Add: No. 8, West 1st District, Shihe Road, Shilongkeng Village, Liaobu Town, Dongguan City, China

PSC 外径车削单元 External Turning Units

SRDCN-HPA

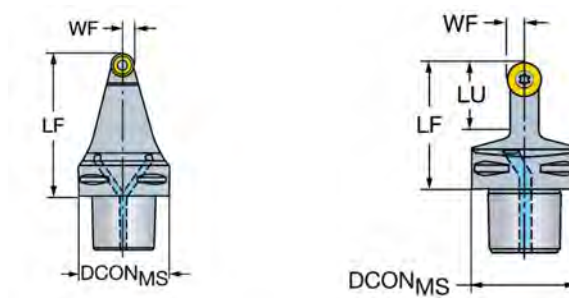


产品信息 Specification

| 主偏角 (Kr) | 型号 Code | DCON | WF | LF | DMIN1 | DMIN2 | Kg | ISO 刀片 ISO Insert |
|-------------|--------------------------|------|----|----|-------|-------|------|----------------------|
| | PSC5-SRDCN-00060-10A HPA | 50 | 5 | 60 | -- | 80 | 0.7 | RCMT0602M0 |
| | PSC4-SRDCN-00050-12A HPA | 40 | 6 | 50 | -- | 80 | 0.38 | RCMT0602M0 |
| | PSC5-SRDCN-00060-12A HPA | 50 | 6 | 60 | -- | 80 | 0.7 | RCMT0803M0 |
| | PSC6-SRDCN-00065-12A HPA | 63 | 6 | 65 | -- | 80 | 1.21 | RCMT10T3M0 |
| | PSC6-SRDCN-00065-16A HPA | 63 | 8 | 65 | -- | 80 | 1.21 | RCMT10T3M0 |

PSC 外径车削单元 External Turning Units

SRDCN & SRDCN-A

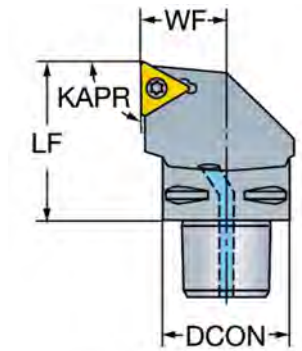


产品信息 Specification

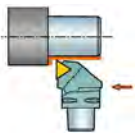
| 主偏角 (Kr) | 型号 Code | DCON | WF | LF | DMIN1 | DMIN2 | Kg | ISO 刀片 ISO Insert |
|-------------|----------------------|------|----|-----|-------|-------|------|----------------------|
| | PSC6-SRDCN-00100-10 | 63 | 5 | 100 | -- | -- | 1.35 | RCMT10T3M0 |
| | PSC6-SRDCN-00100-16 | 63 | 8 | 100 | -- | -- | 1.35 | RCMT1606M0 |
| | PSC3-SRDCN-00040-10A | 32 | 5 | 40 | -- | -- | 0.13 | RCMT10T3M0 |
| | PSC4-SRDCN-00050-06A | 40 | 3 | 50 | -- | -- | 0.34 | RCMT0602M0 |
| | PSC5-SRDCN-00060-06A | 50 | 3 | 60 | -- | -- | 0.7 | RCMT0602M0 |
| | PSC4-SRDCN-00050-08A | 40 | 4 | 50 | -- | -- | 0.28 | RCMT0803M0 |
| | PSC5-SRDCN-00060-08A | 50 | 4 | 60 | -- | -- | 0.68 | RCMT0803M0 |
| | PSC4-SRDCN-00050-10A | 40 | 5 | 50 | -- | -- | 0.27 | RCMT10T3M0 |
| | PSC5-SRDCN-00060-10A | 50 | 5 | 60 | -- | -- | 0.51 | RCMT10T3M0 |
| | PSC6-SRDCN-00065-10A | 63 | 5 | 65 | -- | -- | 0.91 | RCMT10T3M0 |
| | PSC4-SRDCN-00050-12A | 40 | 6 | 50 | -- | -- | 0.33 | RCMT1204M0 |
| | PSC5-SRDCN-00060-12A | 50 | 6 | 60 | -- | -- | 0.62 | RCMT1204M0 |
| | PSC6-SRDCN-00065-12A | 63 | 6 | 65 | -- | -- | 1.1 | RCMT1204M0 |
| | PSC5-SRDCN-00060-16A | 50 | 8 | 60 | -- | -- | 0.58 | RCMT1606M0 |
| | PSC6-SRDCN-00065-16A | 63 | 8 | 65 | -- | -- | 0.9 | RCMT1606M0 |
| | PSC5-SRDCN-00060-20A | 50 | 10 | 60 | -- | -- | 0.62 | RCMT2006M0 |
| | PSC6-SRDCN-00065-20A | 63 | 10 | 65 | -- | -- | 0.9 | RCMT2006M0 |

PSC 外径车削单元 External Turning Units

STJCR/L: Kr91°



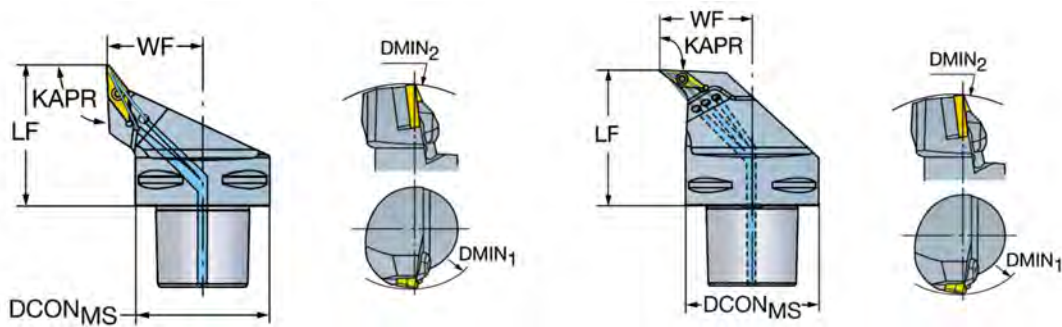
产品信息 Specification

| 主偏角 (Kr) | 型号 Code | DCON | WF | LF | DMIN1 | DMIN2 | Kg | ISO 刀片 ISO Insert |
|--|------------------------|------|----|----|-------|-------|------|----------------------|
| 91°  | PSC4-STJCR-27050-11-B1 | 40 | 27 | 50 | -- | -- | 0.34 | TCMT1103 |
| | PSC4-STGCR-27050-16 | 40 | 27 | 50 | -- | -- | 0.34 | TCMT16T3 |
| | PSC4-STJCR-27050-16 | 40 | 27 | 50 | -- | -- | 0.34 | TCMT16T3 |
| | PSC5-STGCR/L-35060-16 | 50 | 35 | 60 | -- | -- | 0.64 | TCMT16T3 |
| | PSC5-STJCR-35060-16 | 50 | 35 | 60 | -- | -- | 0.64 | TCMT16T3 |
| | PSC6-STGCR/L-45065-16 | 63 | 45 | 65 | -- | -- | 1.1 | TCMT16T3 |

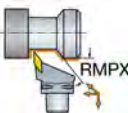
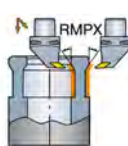
PSC 外径车削单元 External Turning Units

SVJBR/L-HP: Kr93°

SVUBR/L-HP: Kr93°

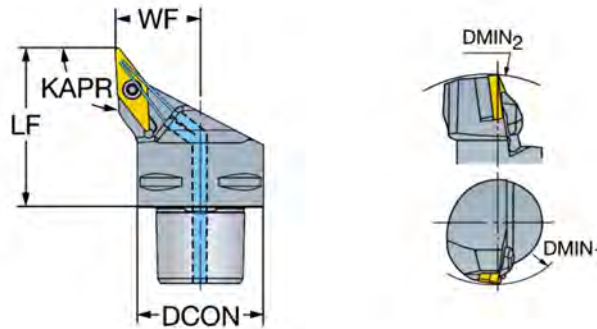


产品信息 Specification


| 主偏角 (Kr) | 型号 Code | DCON | WF | LF | DMIN1 | DMIN2 | Kg | ISO 刀片 ISO Insert |
|--|-------------------------|------|----|----|-------|-------|-----|----------------------|
| 93°  | PSC4-SVJBR/L-27050-16HP | 40 | 27 | 50 | -- | 140 | 0.3 | VBMT1604 |
| | PSC5-SVJBR/L-35060-16HP | 50 | 35 | 60 | -- | 200 | 0.7 | VBMT1604 |
| | PSC6-SVJBR/L-45065-16HP | 63 | 45 | 65 | -- | 200 | 1.3 | VBMT1604 |
| 93°  | PSC6-SVUBR/L-45065-16HP | 63 | 45 | 65 | 85 | -- | 1.3 | VBMT1604 |

PSC 外径车削单元 External Turning Units

SVJBR/L-HPAB: Kr93°

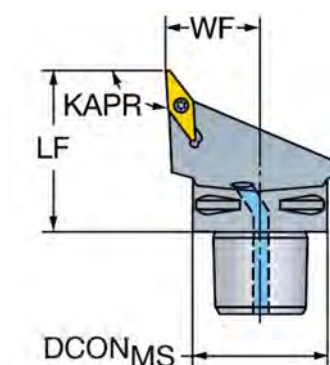


产品信息 Specification


| 主偏角 (Kr) | 型号 Code | DCON | WF | LF | DMIN1 | DMIN2 | Kg | ISO 刀片 ISO Insert |
|--|----------------------------|------|----|----|-------|-------|------|----------------------|
| 93°  | PSC3-SVJBR/L-22040-11HPAB1 | 32 | 22 | 40 | -- | 116 | 0.19 | VBMT1103 |
| | PSC4-SVJBR/L-27050-11HPAB1 | 40 | 27 | 50 | -- | 140 | 0.38 | VBMT1103 |
| | PSC4-SVJBR/L-27050-16HPA | 40 | 27 | 50 | -- | 140 | 0.38 | VBMT1604 |
| | PSC5-SVJBR/L-35060-16HPA | 50 | 35 | 60 | -- | 165 | 0.7 | VBMT1604 |
| | PSC6-SVJBR/L-45065-16HPA | 63 | 45 | 65 | -- | 190 | 1.21 | VBMT1604 |

PSC 外径车削单元 External Turning Units

SVJBR/L: Kr93°



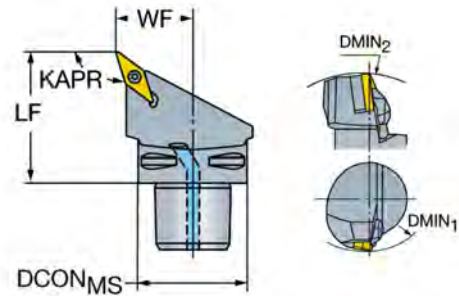
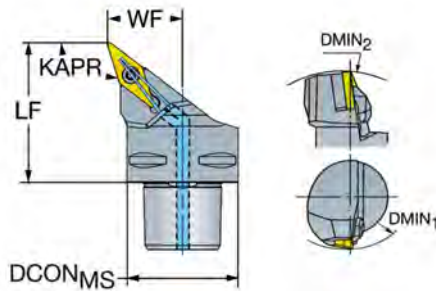
产品信息 Specification

| 主偏角 (Kr) | 型号 Code | DCON | WF | LF | DMIN1 | DMIN2 | Kg | ISO 刀片 ISO Insert |
|--|--------------------------|------|----|----|-------|-------|------|----------------------|
|  93° | PSC3-SVJBR/L-22040-11 | 32 | 22 | 40 | -- | -- | 0.13 | VBMT1102 |
| | PSC3-SVJBR/L-22040-11-B1 | 32 | 22 | 40 | -- | -- | 0.13 | VBMT1103 |
| | PSC4-SVJBR/L-27050-11 | 40 | 27 | 50 | -- | -- | 0.48 | VBMT1102 |
| | PSC4-SVJBR/L-27050-11-B1 | 40 | 27 | 50 | -- | -- | 0.45 | VBMT1103 |
| | PSC5-SVJBR/L-35060-11 | 50 | 35 | 60 | -- | -- | 0.71 | VBMT1102 |
| | PSC4-SVJBR/L-27050-16 | 40 | 27 | 50 | -- | -- | 0.3 | VBMT1604 |
| | PSC5-SVJBR/L-35060-16 | 50 | 35 | 60 | -- | -- | 0.58 | VBMT1604 |
| | PSC6-SVJBR/L-45065-16 | 63 | 45 | 65 | -- | -- | 0.89 | VBMT1604 |

PSC 外径车削单元 External Turning Units

SVHBR/L-HPA: Kr107.5°

SVHBR/L: Kr107.5°

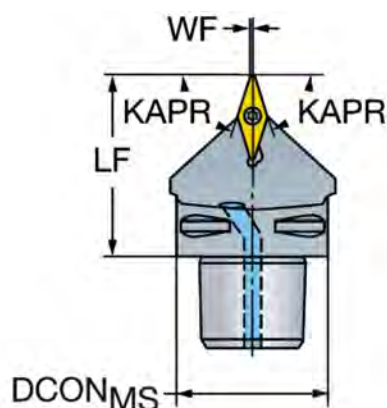


产品信息 Specification

| 主偏角 (Kr) | 型号 Code | DCON | WF | LF | DMIN1 | DMIN2 | Kg | ISO 刀片 ISO Insert |
|--|--------------------------|------|----|----|-------|-------|------|----------------------|
|  107.5° | PSC3-SVHBR/L-22040-11 | 32 | 22 | 40 | -- | -- | 0.13 | VBMT1102 |
| | PSC3-SVHBR/L-22040-11-B1 | 32 | 22 | 40 | -- | -- | 0.13 | VBMT1103 |
| | PSC4-SVHBR/L-27050-11 | 40 | 27 | 50 | -- | -- | 0.49 | VBMT1102 |
| | PSC4-SVHBR/L-27050-11-B1 | 40 | 27 | 50 | -- | -- | 0.45 | VBMT1103 |
| | PSC5-SVHBR/L-35060-11 | 50 | 35 | 60 | -- | -- | 0.71 | VBMT1102 |
| | PSC4-SVHBR/L-27050-16 | 40 | 27 | 50 | -- | -- | 0.45 | VBMT1604 |
| | PSC5-SVHBR/L-35060-16 | 50 | 35 | 60 | -- | -- | 0.5 | VBMT1604 |
| | PSC6-SVHBR/L-45065-16 | 63 | 45 | 65 | -- | -- | 0.9 | VBMT1604 |

PSC 外径车削单元 External Turning Units

SVVBN: Kr72.5°

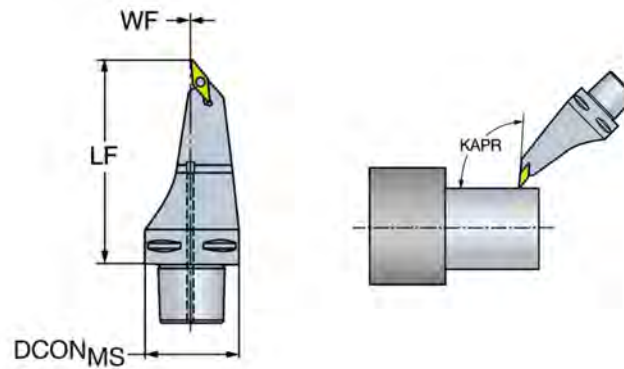


产品信息 Specification

| 主偏角 (Kr) | 型号 Code | DCON | WF | LF | DMIN1 | DMIN2 | Kg | ISO 刀片 ISO Insert |
|-------------|------------------------|------|-----|----|-------|-------|------|----------------------|
| 72.5° | PSC3-SVVBN-00040-11 | 32 | 0.3 | 40 | -- | -- | 0.13 | VBMT1102 |
| | PSC3-SVVBN-00040-11-B1 | 32 | 0.3 | 40 | -- | -- | 0.13 | VBMT1103 |
| | PSC4-SVVBN-00050-11 | 40 | 0.3 | 50 | -- | -- | 0.28 | VBMT1102 |
| | PSC4-SVVBN-00050-11-B1 | 40 | 0.3 | 50 | -- | -- | 0.28 | VBMT1103 |
| | PSC4-SVVBN-00050-16 | 40 | 0.6 | 50 | -- | -- | 0.28 | VBMT1604 |
| | PSC5-SVVBN-00060-16 | 50 | 0.6 | 60 | -- | -- | 0.52 | VBMT1604 |
| | PSC6-SVVBN-00065-16 | 63 | 0.6 | 65 | -- | -- | 0.89 | VBMT1604 |

PSC 外径车削单元 External Turning Units

SVMBL: Kr95°

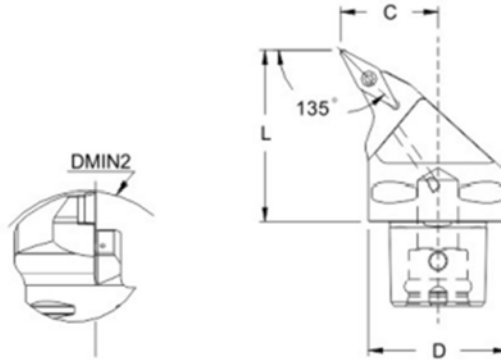


产品信息 Specification

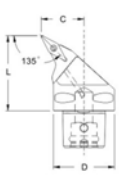
| 主偏角 (Kr) | 型号 Code | DCON | WF | LF | DMIN1 | DMIN2 | Kg | ISO 刀片 ISO Insert |
|-------------|---------------------|------|-----|-----|-------|-------|------|----------------------|
| 95° | PSC5-SVMBL-00115-16 | 50 | 1.2 | 115 | -- | -- | 0.87 | VBMT1604 |
| | PSC6-SVMBL-00130-16 | 63 | 1.2 | 130 | -- | -- | 1.69 | VBMT1604 |
| | PSC5-SVMBL-33120-16 | 50 | 33 | 120 | -- | -- | 1.69 | VBMT1604 |

PSC 外径车削单元 External Turning Units

SVSBR/L-HPA: Kr135°



产品信息 Specification

| 主偏角 (Kr) | 型号 Code | DCON | WF | LF | DMIN1 | DMIN2 | Kg | ISO 刀片 ISO Insert |
|---|--------------------------|------|----|-----|-------|-------|------|----------------------|
| 135°  | PSC4-SVSBR/L-27050-16HPA | 40 | 27 | 50 | -- | 140 | 0.38 | VBMT1604 |
| | PSC5-SVSBR/L-35060-16HPA | 50 | 60 | 130 | -- | 165 | 0.7 | VBMT1604 |
| | PSC6-SVSBR/L-45065-16HPA | 63 | 45 | 65 | -- | 190 | 1.21 | VBMT1604 |

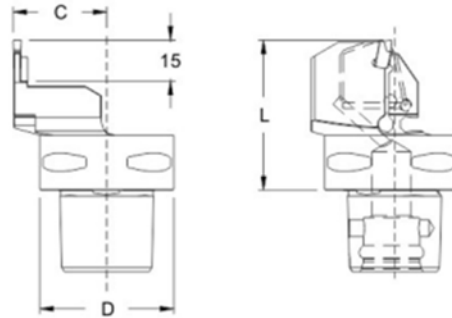
60

Hi-Tech Cutting Tool Co., Ltd.

Tel: +86 769 8150 2920 Fax: +86 769 81502952 Email: shirleypeng@htcuttingtool.com Web: www.htcuttingtool.com
 Add: No. 8, West 1st District, Shihe Road, Shilongkeng Village, Liaobu Town, Dongguan City, China

PSC 外径车削单元 External Turning Units

R/LFA-E: P&G



产品信息 Specification

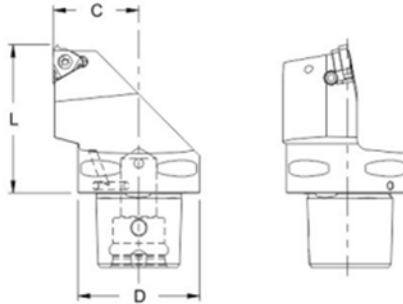
| 主偏角 (Kr) | 型号 Code | DCON | C | L | Kg | ISO 刀片 ISO Insert |
|-------------|-------------------------|------|----|----|-----|----------------------|
| | PSC3-R/LFA203015-22050E | 32 | 22 | 50 | 0.3 | A2030N00CM02 |
| | PSC3-R/LFA205015-22050E | 32 | 22 | 50 | 0.3 | A2050N00CM03 |
| | PSC4-R/LFA203015-27055E | 40 | 27 | 55 | 0.4 | A2030N00CM02 |
| | PSC4-R/LFA205015-27055E | 40 | 27 | 55 | 0.4 | A2050N00CM03 |
| | PSC5-R/LFA203015-35055E | 50 | 35 | 55 | 0.6 | A2030N00CM02 |
| | PSC5-R/LFA205015-35055E | 50 | 35 | 55 | 0.6 | A2050N00CM03 |
| | PSC6-R/LFA203015-45065E | 63 | 45 | 65 | 1.2 | A2030N00CM02 |
| | PSC6-R/LFA205015-45065E | 63 | 45 | 65 | 1.2 | A2050N00CM03 |

Hi-Tech Cutting Tool Co., Ltd.

Tel: +86 769 8150 2920 Fax: +86 769 81502952 Email: shirleypeng@htcuttingtool.com Web: www.htcuttingtool.com
 Add: No. 8, West 1st District, Shihe Road, Shilongkeng Village, Liaobu Town, Dongguan City, China

PSC 外径车削单元 External Turning Units

SER/L: Threading

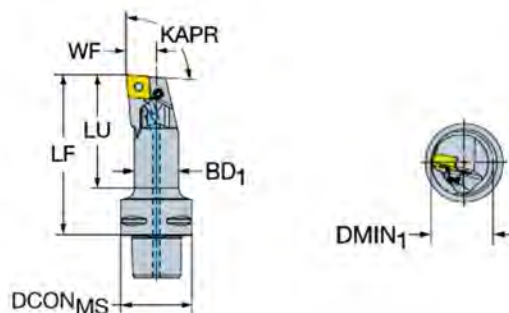


产品信息 Specification

| 主偏角 (Kr) | 型号 Code | DCON | C | L | Kg | ISO 刀片 ISO Insert |
|-------------|---------------------|------|----|----|-----|----------------------|
| | PSC3-SER/L-22040-16 | 32 | 22 | 40 | 0.3 | 16ERISO |
| | PSC4-SER/L-27050-16 | 40 | 27 | 50 | 0.5 | 16ERISO |
| | PSC5-SER/L-35060-16 | 50 | 35 | 60 | 0.5 | 16ERISO |
| | PSC6-SER/L-45065-16 | 63 | 45 | 65 | 0.5 | 16ERISO |

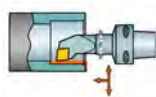
PSC 内径车削单元 Internal Turning Units

PCLNR/L-HP: Kr95°



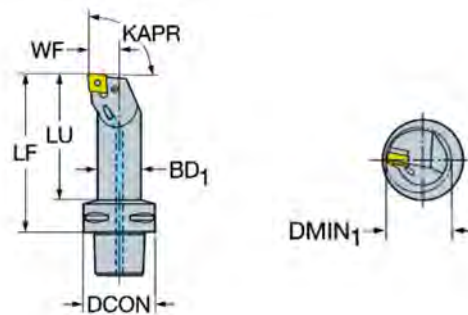
产品信息 Specification

| 主偏角 (Kr) | 型号 Code | DCON | BD1 | WF | LF | LU | DMIN1 | Kg | ISO 刀片 ISO Insert |
|-------------|-------------------------|------|-----|----|-----|-------|-------|------|----------------------|
| 95° | PSC4-PCLNR/L-13080-09HP | 40 | 20 | 13 | 80 | 51.9 | 25 | 0.38 | CNMG0903 |
| | PSC5-PCLNR/L-13080-09HP | 50 | 20 | 13 | 80 | 50.6 | 25 | 0.56 | CNMG0903 |
| | PSC3-PCLNR/L-17090-12HP | 32 | 25 | 17 | 90 | 71.8 | 32 | 0.34 | CNMG1204 |
| | PSC3-PCLNR/L-22064-12HP | 32 | 32 | 22 | 64 | 48 | 40 | 0.33 | CNMG1204 |
| | PSC3-PCLNR/L-22096-12HP | 32 | 32 | 22 | 96 | 80 | 40 | 0.51 | CNMG1204 |
| | PSC4-PCLNR/L-17090-12HP | 40 | 25 | 17 | 90 | 63.4 | 32 | 0.46 | CNMG1204 |
| | PSC4-PCLNR/L-22110-12HP | 40 | 32 | 22 | 110 | 86.6 | 40 | 0.71 | CNMG1204 |
| | PSC4-PCLNR/L-27080-12HP | 40 | 40 | 27 | 80 | 59 | 50 | 0.66 | CNMG1204 |
| | PSC4-PCLNR/L-27120-12HP | 40 | 40 | 27 | 120 | 99 | 50 | 1.02 | CNMG1204 |
| | PSC5-PCLNR/L-17090-12HP | 50 | 25 | 17 | 90 | 61.3 | 32 | 0.65 | CNMG1204 |
| | PSC5-PCLNR/L-22110-12HP | 50 | 32 | 22 | 110 | 82.2 | 40 | 0.89 | CNMG1204 |
| | PSC5-PCLNR/L-27140-12HP | 50 | 40 | 27 | 140 | 115.6 | 50 | 1.39 | CNMG1204 |
| | PSC5-PCLNR/L-35100-12HP | 50 | 50 | 35 | 100 | 79 | 63 | 1.32 | CNMG1204 |
| | PSC6-PCLNR/L-17100-12HP | 63 | 25 | 17 | 100 | 67.5 | 32 | 1.03 | CNMG1204 |
| | PSC6-PCLNR/L-22100-12HP | 63 | 32 | 22 | 110 | 78.5 | 40 | 1.24 | CNMG1204 |
| | PSC5-PCLNR/L-35150-16HP | 50 | 50 | 35 | 150 | 129 | 63 | 2.02 | CNMG1606 |
| | PSC6-PCLNR/L-27140-16HP | 63 | 40 | 27 | 140 | 109.5 | 50 | 1.68 | CNMG1606 |
| | PSC6-PCLNR/L-35175-16HP | 63 | 50 | 35 | 175 | 146.7 | 63 | 2.71 | CNMG1606 |



PSC 内径车削单元 Internal Turning Units

PCLNR/L-M1: Kr95°



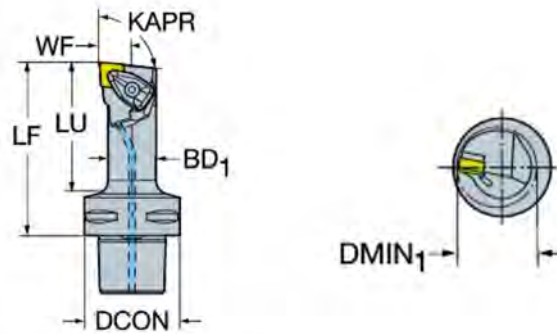
产品信息 Specification

| 主偏角 (Kr) | 型号 Code | DCON | BD1 | WF | LF | LU | DMIN1 | Kg | ISO 刀片 ISO Insert |
|-------------|-------------------------|------|-----|----|-----|-----|-------|------|----------------------|
| 95° | PSC4-PCLNR/L-13080-09M1 | 40 | 20 | 13 | 80 | 52 | 25 | 0.38 | CNMG0903 |
| | PSC5-PCLNR/L-13080-09M1 | 50 | 20 | 13 | 80 | 51 | 25 | 0.56 | CNMG0903 |
| | PSC3-PCLNR/L-17090-12M1 | 32 | 25 | 17 | 90 | 72 | 32 | 0.34 | CNMG1204 |
| | PSC3-PCLNR/L-22064-12M1 | 32 | 32 | 22 | 64 | 48 | 40 | 0.33 | CNMG1204 |
| | PSC3-PCLNR/L-22096-12M1 | 32 | 32 | 22 | 96 | 80 | 40 | 0.51 | CNMG1204 |
| | PSC4-PCLNR/L-17090-12M1 | 40 | 25 | 17 | 90 | 64 | 32 | 0.46 | CNMG1204 |
| | PSC4-PCLNR/L-22110-12M1 | 40 | 32 | 22 | 110 | 87 | 40 | 0.71 | CNMG1204 |
| | PSC4-PCLNR/L-27080-12M1 | 40 | 40 | 27 | 80 | 59 | 50 | 0.66 | CNMG1204 |
| | PSC4-PCLNR/L-27120-12M1 | 40 | 40 | 27 | 120 | 99 | 50 | 1.02 | CNMG1204 |
| | PSC5-PCLNR/L-17090-12M1 | 50 | 25 | 17 | 90 | 61 | 32 | 0.65 | CNMG1204 |
| | PSC5-PCLNR/L-22110-12M1 | 50 | 32 | 22 | 110 | 82 | 40 | 0.89 | CNMG1204 |
| | PSC5-PCLNR/L-27140-12M1 | 50 | 40 | 27 | 140 | 115 | 50 | 1.39 | CNMG1204 |
| | PSC5-PCLNR/L-35100-12M1 | 50 | 50 | 35 | 100 | 79 | 63 | 1.32 | CNMG1204 |
| | PSC6-PCLNR/L-17100-12M1 | 63 | 25 | 17 | 100 | 68 | 32 | 1.03 | CNMG1204 |
| | PSC6-PCLNR/L-22100-12M1 | 63 | 32 | 22 | 110 | 78 | 40 | 1.24 | CNMG1204 |
| | PSC5-PCLNR/L-35150-16M1 | 50 | 50 | 35 | 150 | 129 | 63 | 1.32 | CNMG1606 |
| | PSC6-PCLNR/L-27140-16M1 | 63 | 40 | 27 | 140 | 110 | 50 | 1.68 | CNMG1606 |
| | PSC6-PCLNR/L-35175-16M1 | 63 | 50 | 35 | 175 | 147 | 63 | 2.71 | CNMG1606 |

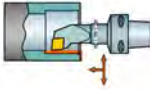


PSC 内径车削单元 Internal Turning Units

DCLNR/L: Kr95°

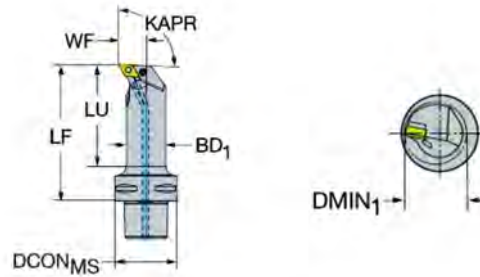


产品信息 Specification

| 主偏角 (Kr) | 型号 Code | DCON | BD1 | WF | LF | LU | DMIN1 | Kg | ISO 刀片 ISO Insert |
|---|-----------------------|------|-----|----|-----|-----|-------|------|----------------------|
|  95° | PSC4-DCLNR/L-13080-09 | 40 | 20 | 13 | 80 | 57 | 25 | 0.33 | CNMG0903 |
| | PSC5-DCLNR/L-13080-09 | 50 | 20 | 13 | 80 | 56 | 25 | 0.6 | CNMG0903 |
| | PSC4-DCLNR/L-17090-12 | 40 | 25 | 17 | 90 | 68 | 32 | 0.46 | CNMG1204 |
| | PSC5-DCLNR/L-17090-12 | 50 | 25 | 17 | 90 | 66 | 32 | 0.64 | CNMG1204 |
| | PSC6-DCLNR/L-17100-12 | 63 | 25 | 17 | 100 | 72 | 32 | 0.9 | CNMG1204 |
| | PSC6-DCLNR/L-27140-16 | 63 | 40 | 27 | 140 | 114 | 50 | 1.7 | CNMG1606 |

PSC 内径车削单元 Internal Turning Units

PDUNR/L-HP: Kr93°

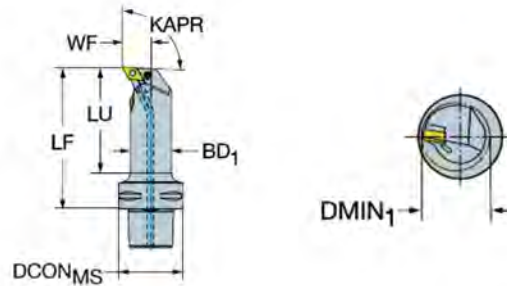


产品信息 Specification


| 主偏角 (Kr) | 型号 Code | DCO N | BD1 | WF | LF | LU | DMIN1 | Kg | ISO 刀片 ISO Insert |
|-------------|-------------------------|----------|-----|----|-----|-------|-------|------|----------------------|
| 93° | PSC3-PDUNR/L-17090-11HP | 32 | 25 | 17 | 90 | 71.8 | 32 | 0.34 | DNMG1104 |
| | PSC4-PDUNR/L-17090-11HP | 40 | 25 | 17 | 90 | 63.4 | 32 | 0.45 | DNMG1104 |
| | PSC4-PDUNR/L-22110-11HP | 40 | 32 | 22 | 110 | 86.6 | 40 | 0.72 | DNMG1104 |
| | PSC5-PDUNR/L-17090-11HP | 50 | 25 | 17 | 90 | 61.3 | 32 | 0.65 | DNMG1104 |
| | PSC5-PDUNR/L-22110-11HP | 50 | 32 | 22 | 110 | 82.2 | 40 | 0.9 | DNMG1104 |
| | PSC6-PDUNR/L-17100-11HP | 63 | 25 | 17 | 100 | 67.5 | 32 | 1.04 | DNMG1104 |
| | PSC4-PDUNR/L-27090-15HP | 40 | 40 | 27 | 90 | 59 | 50 | 0.65 | DNMG1506 |
| | PSC4-PDUNR/L-27120-15HP | 40 | 40 | 27 | 120 | 99 | 50 | 1 | DNMG1506 |
| | PSC5-PDUNR/L-27140-15HP | 50 | 40 | 27 | 140 | 115.6 | 50 | 1.38 | DNMG1506 |
| | PSC5-PDUNR/L-35100-15HP | 50 | 50 | 35 | 100 | 79 | 63 | 1.35 | DNMG1506 |
| | PSC5-PDUNR/L-35150-15HP | 50 | 50 | 35 | 150 | 129 | 63 | 2.07 | DNMG1506 |
| | PSC6-PDUNR/L-22110-15HP | 63 | 32 | 22 | 110 | 78.5 | 40 | 1.23 | DNMG1506 |
| | PSC6-PDUNR/L-27140-15HP | 63 | 40 | 27 | 140 | 109.5 | 50 | 1.71 | DNMG1506 |
| | PSC6-PDUNR/L-35175-15HP | 63 | 50 | 35 | 175 | 146.7 | 63 | 2.77 | DNMG1506 |

PSC 内径车削单元 Internal Turning Units

PDUNR/L-M1: Kr93°

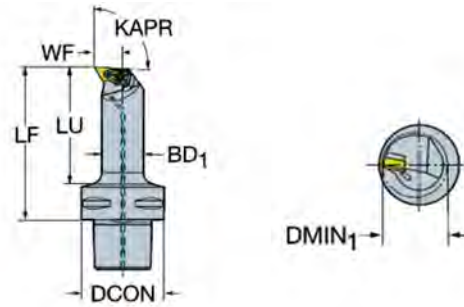


产品信息 Specification


| 主偏角 (Kr) | 型号 Code | DCO N | BD1 | WF | LF | LU | DMIN1 | Kg | ISO 刀片 ISO Insert |
|--|--------------------------|----------|-----|----|-----|-----|-------|------|----------------------|
| 93°  | PSC3-PDUNR/L-17090-11M1 | 32 | 25 | 17 | 90 | 72 | 32 | 0.46 | DNMG1104 |
| | PSC4-PDUNR/L-17090-11M1 | 40 | 25 | 17 | 90 | 63 | 32 | 0.45 | DNMG1104 |
| | PSC4-PDUNR/L-22110-11M1 | 40 | 32 | 22 | 110 | 87 | 40 | 0.72 | DNMG1104 |
| | PSC5-PDUNR/L-17090-11 M1 | 50 | 25 | 17 | 90 | 61 | 32 | 0.65 | DNMG1104 |
| | PSC5-PDUNR/L-22110-11 M1 | 50 | 32 | 22 | 110 | 82 | 40 | 0.9 | DNMG1104 |
| | PSC6-PDUNR/L-17100-11 M1 | 63 | 25 | 17 | 100 | 67 | 32 | 1.04 | DNMG1104 |
| | PSC4-PDUNR/L-27090-15M1 | 40 | 40 | 27 | 90 | 59 | 50 | 0.65 | DNMG1506 |
| | PSC4-PDUNR/L-27120-15M1 | 40 | 40 | 27 | 120 | 99 | 50 | 1 | DNMG1506 |
| | PSC5-PDUNR/L-27140-15M1 | 50 | 40 | 27 | 140 | 115 | 50 | 1.38 | DNMG1506 |
| | PSC5-PDUNR/L-35100-15M1 | 50 | 50 | 35 | 100 | 79 | 63 | 1.35 | DNMG1506 |
| | PSC5-PDUNR/L-35150-15M1 | 50 | 50 | 35 | 150 | 129 | 63 | 2.07 | DNMG1506 |
| | PSC6-PDUNR/L-22110-15M1 | 63 | 32 | 22 | 110 | 78 | 40 | 1.23 | DNMG1506 |
| | PSC6-PDUNR/L-27140-15M1 | 63 | 40 | 27 | 140 | 110 | 50 | 1.71 | DNMG1506 |
| | PSC6-PDUNR/L-35175-15M1 | 63 | 50 | 35 | 175 | 147 | 63 | 2.77 | DNMG1506 |

PSC 内径车削单元 Internal Turning Units

DDUNR/L: Kr93°

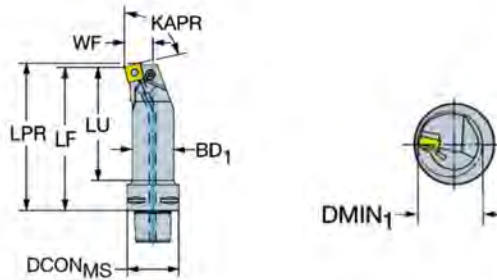


产品信息 Specification

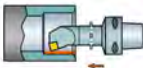
| 主偏角 (Kr) | 型号 Code | DCO N | BD1 | WF | LF | LU | DMIN1 | Kg | ISO 刀片 ISO Insert |
|--|-----------------------|----------|------|----|-----|-----|-------|------|----------------------|
| 93°  | PSC4-DDUNR/L-17090-11 | 40 | 25 | 17 | 90 | 68 | 32 | 0.46 | DNMG1104 |
| | PSC5-DDUNR/L-17090-11 | 50 | 25 | 17 | 90 | 66 | 32 | 0.64 | DNMG1104 |
| | PSC4-DDUNR/L-27080-15 | 40 | 39.7 | 27 | 80 | 59 | 50 | 0.64 | DNMG1506 |
| | PSC5-DDUNR/L-27140-15 | 50 | 40 | 27 | 140 | 118 | 50 | 1.3 | DNMG1506 |
| | PSC6-DDUNR/L-27140-15 | 63 | 40 | 27 | 140 | 114 | 50 | 1.69 | DNMG1506 |

PSC 内径车削单元 Internal Turning Units

PSKNR/L-HP: Kr75°



产品信息 Specification

| 主偏角 (Kr) | 型号 Code | DCON | BD1 | WF | LF | LU | DMIN1 | Kg | ISO 刀片 ISO Insert |
|--|-------------------------|------|-----|----|-----|------|-------|------|----------------------|
| 75°  | PSC4-PSKNR/L-17090-12HP | 40 | 25 | 17 | 90 | 63.4 | 32 | 0.46 | SNMG1204 |
| | PSC4-PSKNR/L-22110-12HP | 40 | 32 | 22 | 110 | 86.6 | 40 | 0.73 | SNMG1204 |
| | PSC5-PSKNR/L-17090-12HP | 50 | 25 | 17 | 90 | 61 | 32 | 0.66 | SNMG1204 |
| | PSC5-PSKNR/L-22110-12HP | 50 | 32 | 22 | 110 | 82 | 40 | 1.42 | SNMG1204 |
| | PSC5-PSKNR/L-27140-12HP | 50 | 40 | 27 | 140 | 115 | 50 | 1.69 | SNMG1204 |
| | PSC6-PSKNR/L-22110-12HP | 63 | 32 | 22 | 110 | 78 | 40 | 1.26 | SNMG1204 |
| | PSC6-PSKNR/L-35175-15HP | 63 | 50 | 35 | 175 | 146 | 63 | 2.81 | SNMG1506 |

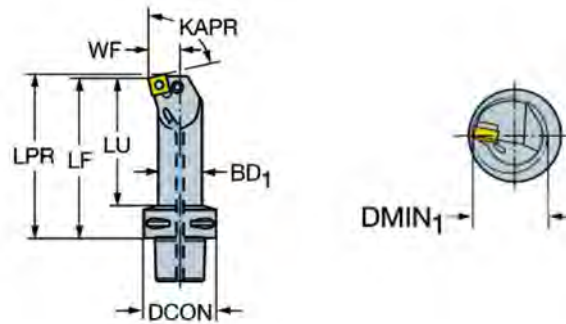
69

Hi-Tech Cutting Tool Co., Ltd.

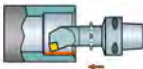
Tel: +86 769 8150 2920 Fax: +86 769 81502952 Email: shirleypeng@htcuttingtool.com Web: www.htcuttingtool.com
 Add: No. 8, West 1st District, Shihe Road, Shilongkeng Village, Liaobu Town, Dongguan City, China

PSC 内径车削单元 Internal Turning Units

PSKNR/L-M1: Kr75°



产品信息 Specification

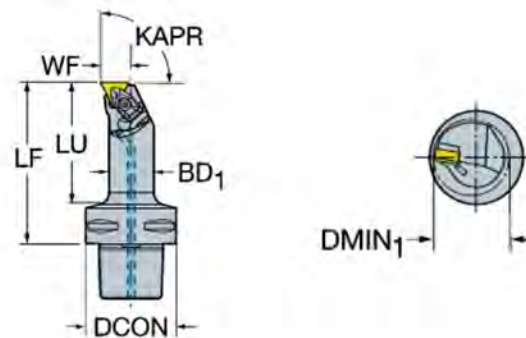
| 主偏角 (Kr) | 型号 Code | DCON | BD1 | WF | LF | LU | DMIN1 | Kg | ISO 刀片 ISO Insert |
|--|-------------------------|------|-----|----|-----|------|-------|------|----------------------|
| 75°  | PSC4-PSKNR-17090-12M1 | 40 | 25 | 17 | 90 | 63.4 | 32 | 0.46 | SNMG1204 |
| | PSC4-PSKNL-22110-12M1 | 40 | 32 | 22 | 110 | 86.6 | 40 | 0.73 | SNMG1204 |
| | PSC5-PSKNR-17090-12M1 | 50 | 25 | 17 | 90 | 61 | 32 | 0.66 | SNMG1204 |
| | PSC5-PSKNR-22110-12M1 | 50 | 32 | 22 | 110 | 82 | 40 | 1.42 | SNMG1204 |
| | PSC5-PSKNR/L-27140-12M1 | 50 | 40 | 27 | 140 | 115 | 50 | 1.69 | SNMG1204 |
| | PSC6-PSKNR-22110-12M1 | 63 | 32 | 22 | 110 | 78 | 40 | 1.26 | SNMG1204 |
| | PSC6-PSKNR/L-35175-15M1 | 63 | 50 | 35 | 175 | 146 | 63 | 2.81 | SNMG1506 |

Hi-Tech Cutting Tool Co., Ltd.

Tel: +86 769 8150 2920 Fax: +86 769 81502952 Email: shirleypeng@htcuttingtool.com Web: www.htcuttingtool.com
 Add: No. 8, West 1st District, Shihe Road, Shilongkeng Village, Liaobu Town, Dongguan City, China

PSC 内径车削单元 Internal Turning Units

DTFNR/L: Kr91°



产品信息 Specification

| 主偏角 (Kr) | 型号 Code | DCON | BD1 | WF | LF | LU | DMIN1 | Kg | ISO 刀片 ISO Insert |
|-------------|-----------------------|------|-----|----|----|----|-------|------|----------------------|
| 91° | PSC4-DTFNR/L-17090-16 | 40 | 25 | 17 | 90 | 68 | 32 | 0.55 | TNMG1604 |
| | PSC5-DTFNR/L-17090-16 | 50 | 32 | 17 | 90 | 66 | 32 | 0.55 | TNMG1604 |

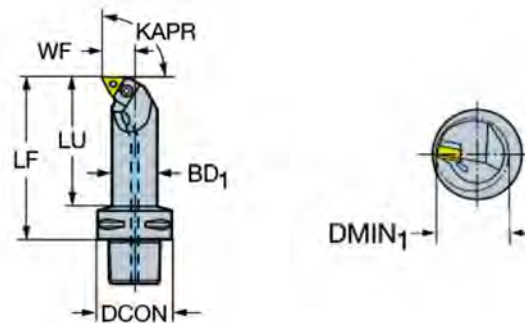
71

Hi-Tech Cutting Tool Co., Ltd.

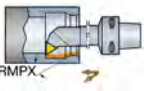
Tel: +86 769 8150 2920 Fax: +86 769 81502952 Email: shirleypeng@htcuttingtool.com Web: www.htcuttingtool.com
Add: No. 8, West 1st District, Shihe Road, Shilongkeng Village, Liaobu Town, Dongguan City, China

PSC 内径车削单元 Internal Turning Units

PTFNR/L: Kr91°



产品信息 Specification

| 主偏角 (Kr) | 型号 Code | DCON | BD1 | WF | LF | LU | DMIN1 | Kg | ISO 刀片 ISO Insert |
|--|------------------------|------|-----|----|-----|-----|-------|------|----------------------|
| 91°  | PSC3-PTFNR-17090-16W | 30 | 25 | 17 | 90 | 75 | 32 | 0.34 | TNMG1604 |
| | PSC4-PTFNR/L-17090-16W | 40 | 32 | 17 | 90 | 69 | 32 | 0.45 | TNMG1604 |
| | PSC4-PTFNR/L-22110-16W | 40 | 32 | 22 | 110 | 89 | 40 | 0.69 | TNMG1604 |
| | PSC4-PTFNR/L-27120-16W | 40 | 40 | 27 | 120 | 100 | 50 | 0.8 | TNMG1604 |
| | PSC5-PTFNR/L-17090-16W | 50 | 25 | 17 | 90 | 67 | 32 | 0.65 | TNMG1604 |
| | PSC5-PTFNR/L-22110-16W | 50 | 32 | 22 | 110 | 88 | 40 | 0.87 | TNMG1604 |
| | PSC5-PTFNR/L-27140-16W | 50 | 40 | 27 | 140 | 119 | 50 | 1.34 | TNMG1604 |
| | PSC6-PTFNR/L-22110-16W | 63 | 32 | 22 | 110 | 84 | 40 | 1.4 | TNMG1604 |
| | PSC6-PTFNR/L-27140-16W | 63 | 40 | 27 | 140 | 115 | 50 | 1.7 | TNMG1604 |
| | PSC5-PTFNR-27140-22W | 50 | 40 | 27 | 140 | 119 | 50 | 1.34 | TNMG1604 |
| | PSC6-PTFNR/L-27140-22W | 63 | 40 | 27 | 140 | 115 | 50 | 1.7 | TNMG2204 |
| | PSC6-PTFNR/L-35175-22W | 63 | 50 | 35 | 175 | 152 | 63 | 2.7 | TNMG2204 |

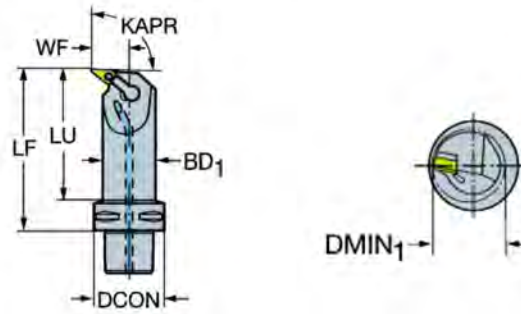
72

Hi-Tech Cutting Tool Co., Ltd.

Tel: +86 769 8150 2920 Fax: +86 769 81502952 Email: shirleypeng@htcuttingtool.com Web: www.htcuttingtool.com
 Add: No. 8, West 1st District, Shihe Road, Shilongkeng Village, Liaobu Town, Dongguan City, China

PSC 内径车削单元 Internal Turning Units

MVUNR/L: Kr93°



产品信息 Specification

| 主偏角 (Kr) | 型号 Code | DCON | BD1 | WF | LF | LU | DMIN1 | Kg | ISO 刀片 ISO Insert |
|-------------|-----------------------|------|-----|----|-----|-----|-------|------|----------------------|
| 93° | PSC4-MVUNR/L-27120-16 | 40 | 40 | 27 | 120 | 100 | 50 | 0.5 | VNMG1604 |
| | PSC5-MVUNR/L-27140-16 | 50 | 40 | 27 | 140 | 119 | 50 | 0.65 | VNMG1604 |
| | PSC5-MVUNR/L-35150-16 | 50 | 50 | 35 | 150 | 131 | 63 | 0.65 | VNMG1604 |
| | PSC6-MVUNL-22120-16 | 63 | 32 | 22 | 120 | 94 | 40 | 1.2 | VNMG1604 |
| | PSC6-MVUNR-35175-16 | 63 | 50 | 35 | 175 | 152 | 63 | 1.7 | VNMG1604 |

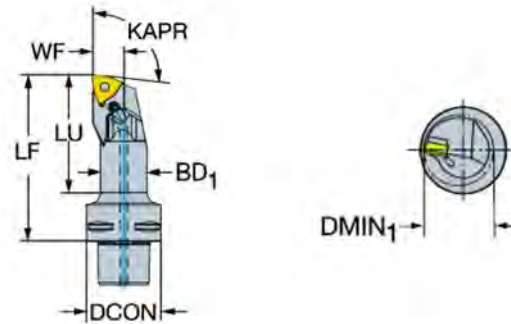
73

Hi-Tech Cutting Tool Co., Ltd.

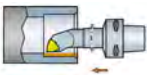
Tel: +86 769 8150 2920 Fax: +86 769 81502952 Email: shirleypeng@htcuttingtool.com Web: www.htcuttingtool.com
 Add: No. 8, West 1st District, Shihe Road, Shilongkeng Village, Liaobu Town, Dongguan City, China

PSC 内径车削单元 Internal Turning Units

PWLNR/L-HP: Kr95°



产品信息 Specification

| 主偏角 (Kr) | 型号 Code | DCON | BD1 | WF | LF | LU | DMIN1 | Kg | ISO 刀片 ISO Insert |
|---|-------------------------|------|-----|----|-----|----|-------|------|----------------------|
| 95° | PSC4-PWLNR/L-17090-08HP | 40 | 25 | 17 | 90 | 63 | 32 | 0.46 | WNMG0804 |
|  | PSC5-PWLNR/L-22110-08HP | 50 | 32 | 22 | 110 | 82 | 40 | 0.88 | WNMG0804 |

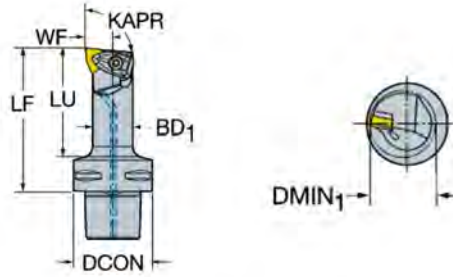
74

Hi-Tech Cutting Tool Co., Ltd.

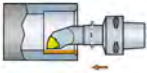
Tel: +86 769 8150 2920 Fax: +86 769 81502952 Email: shirleypeng@htcuttingtool.com Web: www.htcuttingtool.com
Add: No. 8, West 1st District, Shihe Road, Shilongkeng Village, Liaobu Town, Dongguan City, China

PSC 内径车削单元 Internal Turning Units

DWLNR/L: Kr95°



产品信息 Specification

| 主偏角 (Kr) | 型号 Code | DCON | BD1 | WF | LF | LU | DMIN1 | Kg | ISO 刀片 ISO Insert |
|--|-----------------------|------|-----|----|----|----|-------|------|----------------------|
| 95°  | PSC4-DWLNR/L-13075-06 | 40 | 20 | 13 | 75 | 52 | 27 | 0.33 | WNMG0604 |
| | PSC4-DWLNR/L-17090-08 | 40 | 25 | 17 | 90 | 68 | 33 | 0.46 | WNMG0804 |
| | PSC5-DWLNR/L-17090-08 | 50 | 25 | 17 | 90 | 66 | 33 | 0.55 | WNMG0804 |

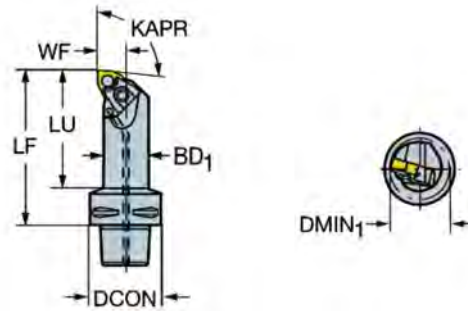
75

Hi-Tech Cutting Tool Co., Ltd.

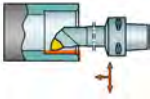
Tel: +86 769 8150 2920 Fax: +86 769 81502952 Email: shirleypeng@htcuttingtool.com Web: www.htcuttingtool.com
 Add: No. 8, West 1st District, Shihe Road, Shilongkeng Village, Liaobu Town, Dongguan City, China

PSC 内径车削单元 Internal Turning Units

MWLNR/L: Kr95°

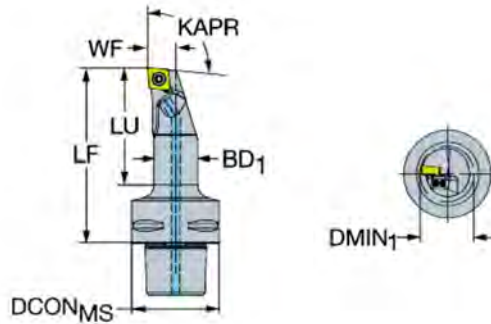


产品信息 Specification


| 主偏角 (Kr) | 型号 Code | DCON | BD1 | WF | LF | LU | DMIN1 | Kg | ISO 刀片 ISO Insert |
|--|-------------------------|------|-----|----|-----|-----|-------|------|----------------------|
| 95°  | PSC3-MWLNR/L-13075-06 | 32 | 20 | 13 | 75 | 59 | 25 | 0.3 | WNMG0604 |
| | PSC4-MWLNR/L-13075-06 | 40 | 20 | 13 | 75 | 53 | 25 | 0.5 | WNMG0604 |
| | PSC4-MWLNR/L-17090-06M1 | 40 | 25 | 17 | 90 | 69 | 32 | 0.5 | WNMG0604 |
| | PSC4-MWLNR/L-17090-08 | 40 | 25 | 17 | 90 | 69 | 32 | 0.5 | WNMG0804 |
| | PSC4-MWLNR/L-22110-08 | 40 | 32 | 22 | 110 | 89 | 40 | 0.5 | WNMG0804 |
| | PSC4-MWLNR/L-27120-08 | 40 | 40 | 27 | 120 | 100 | 50 | 0.5 | WNMG0804 |
| | PSC5-MWLNR/L-17090-08 | 50 | 25 | 17 | 90 | 67 | 32 | 0.65 | WNMG0804 |
| | PSC5-MWLNR/L-22110-08 | 50 | 32 | 22 | 110 | 88 | 40 | 0.65 | WNMG0804 |
| | PSC5-MWLNR/L-27140-08 | 50 | 40 | 27 | 140 | 119 | 50 | 0.65 | WNMG0804 |

PSC 内径车削单元 Internal Turning Units

SCLCR/L-HP: Kr95°

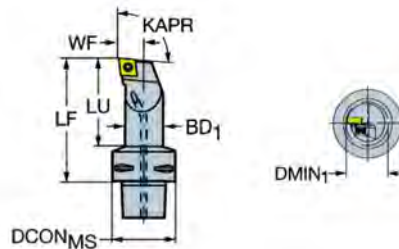


产品信息 Specification

| 主偏角 (Kr) | 型号 Code | DCON | BD1 | WF | LF | LU | DMIN1 | Kg | ISO 刀片 ISO Insert |
|--|-------------------------|------|-----|----|----|----|-------|------|----------------------|
| 95°  | PSC3-SCLCR/L-11065-09HP | 32 | 16 | 11 | 65 | 48 | 21.5 | 0.17 | CCMT09T3 |
| | PSC4-SCLCR/L-11070-09HP | 40 | 16 | 11 | 70 | 47 | 21.5 | 0.35 | CCMT09T3 |
| | PSC4-SCLCR/L-13080-09HP | 40 | 20 | 13 | 80 | 57 | 25 | 0.35 | CCMT09T3 |
| | PSC5-SCLCR/L-11070-09HP | 50 | 16 | 11 | 70 | 46 | 21.5 | 0.5 | CCMT09T3 |
| | PSC5-SCLCR/L-13080-09HP | 50 | 20 | 13 | 80 | 56 | 25 | 0.5 | CCMT09T3 |
| | PSC4-SCLCR/L-17090-12HP | 40 | 20 | 17 | 90 | 69 | 32 | 0.35 | CCMT1204 |
| | PSC5-SCLCR/L-17090-12HP | 50 | 25 | 17 | 90 | 67 | 32 | 0.5 | CCMT1204 |

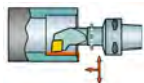
PSC 内径车削单元 Internal Turning Units

SCLCR/L: Kr95°



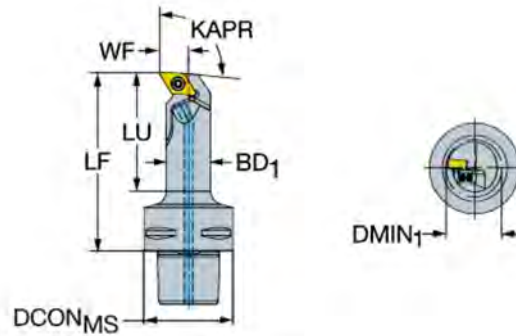
产品信息 Specification

| 主偏角 (Kr) | 型号 Code | DCON | BD1 | WF | LF | LU | DMIN1 | Kg | ISO 刀片 ISO Insert |
|-------------|-----------------------|------|-----|----|-----|-----|-------|------|----------------------|
| 95° | PSC3-SCLCL-17090-09 | 32 | 25 | 17 | 90 | 74 | 32 | 0.3 | CCMT09T3 |
| | PSC3-SCLCR/L-11065-09 | 32 | 16 | 11 | 65 | 48 | 20 | 0.3 | CCMT09T3 |
| | PSC3-SCLCR/L-13075-09 | 32 | 20 | 13 | 75 | 58 | 25 | 0.3 | CCMT09T3 |
| | PSC4-SCLCR/L-11070-09 | 40 | 16 | 11 | 70 | 47 | 20 | 0.5 | CCMT09T3 |
| | PSC4-SCLCR/L-13080-09 | 40 | 20 | 13 | 80 | 57 | 25 | 0.5 | CCMT09T3 |
| | PSC4-SCLCR/L-17090-09 | 40 | 25 | 17 | 90 | 68 | 32 | 0.5 | CCMT09T3 |
| | PSC4-SCLCR/L-27080-09 | 40 | 40 | 27 | 80 | 67 | 50 | 0.5 | CCMT09T3 |
| | PSC5-SCLCR/L-11070-09 | 50 | 16 | 11 | 70 | 46 | 20 | 0.65 | CCMT09T3 |
| | PSC5-SCLCR/L-13080-09 | 50 | 20 | 13 | 80 | 56 | 25 | 0.65 | CCMT09T3 |
| | PSC5-SCLCR/L-17090-09 | 50 | 25 | 17 | 90 | 67 | 32 | 0.65 | CCMT09T3 |
| | PSC5-SCLCR-35100-09 | 50 | 50 | 35 | 100 | 80 | 63 | 0.65 | CCMT09T3 |
| | PSC3-SCLCR-17090-12 | 32 | 25 | 17 | 90 | 74 | 32 | 0.3 | CCMT1204 |
| | PSC3-SCLCR-22096-12 | 32 | 32 | 22 | 96 | 81 | 40 | 0.3 | CCMT1204 |
| | PSC4-SCLCR/L-17090-12 | 40 | 25 | 17 | 90 | 68 | 32 | 0.5 | CCMT1204 |
| | PSC4-SCLCR/L-22110-12 | 40 | 32 | 22 | 110 | 89 | 40 | 0.5 | CCMT1204 |
| | PSC4-SCLCR/L-27080-12 | 40 | 40 | 27 | 80 | 60 | 50 | 0.5 | CCMT1204 |
| | PSC5-SCLCR/L-17090-12 | 50 | 25 | 17 | 90 | 67 | 32 | 0.65 | CCMT1204 |
| | PSC5-SCLCR/L-22110-12 | 50 | 32 | 22 | 110 | 88 | 40 | 0.65 | CCMT1204 |
| | PSC5-SCLCR/L-27140-12 | 50 | 40 | 27 | 140 | 119 | 50 | 0.65 | CCMT1204 |
| | PSC5-SCLCR-35110-12 | 50 | 50 | 35 | 100 | 80 | 63 | 0.65 | CCMT1204 |




PSC 内径车削单元 Internal Turning Units

SDUCR/L-HP: Kr93°

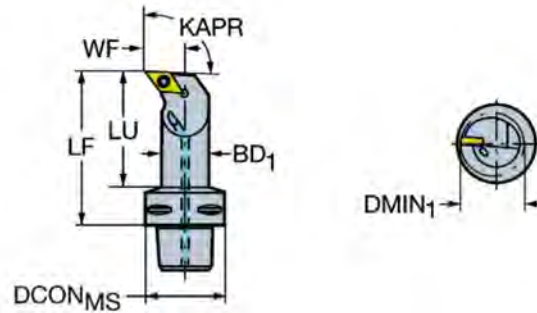


产品信息 Specification


| 主偏角 (Kr) | 型号 Code | DCON | BD1 | WF | LF | LU | DMIN1 | Kg | ISO 刀片 ISO Insert |
|--|-------------------------|------|-----|----|----|----|-------|------|----------------------|
| 93°  | PSC4-SDUCR/L-13080-07HP | 40 | 20 | 13 | 80 | 58 | 25 | 0.35 | DCMT0702 |
| | PSC5-SDUCR/L-13080-07HP | 50 | 20 | 13 | 80 | 56 | 25 | 0.5 | DCMT0702 |
| | PSC4-SDUCR/L-13080-11HP | 40 | 20 | 13 | 80 | 58 | 25 | 0.35 | DCMT11T3 |
| | PSC4-SDUCR/L-17090-11HP | 40 | 25 | 17 | 90 | 69 | 32 | 0.35 | DCMT11T3 |
| | PSC5-SDUCR/L-13080-11HP | 50 | 20 | 13 | 80 | 56 | 25 | 0.5 | DCMT11T3 |
| | PSC5-SDUCR/L-17090-11HP | 50 | 25 | 17 | 90 | 67 | 32 | 0.5 | DCMT11T3 |

PSC 内径车削单元 Internal Turning Units

SDUCR/L: Kr93°

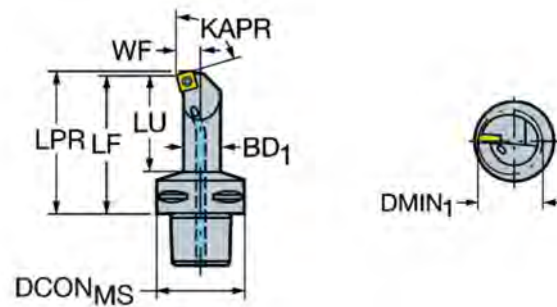


产品信息 Specification

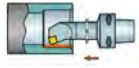
| 主偏角 (Kr) | 型号 Code | DCON | BD1 | WF | LF | LU | DMIN1 | Kg | ISO 刀片 ISO Insert |
|--|-----------------------|------|-----|----|-----|----|-------|------|----------------------|
| 93°  | PSC3-SDUCR/L-11065-07 | 32 | 16 | 11 | 65 | 48 | 20 | 0.3 | DCMT0702 |
| | PSC4-SDUCR/L-11070-07 | 40 | 16 | 11 | 70 | 47 | 20 | 0.5 | DCMT0702 |
| | PSC5-SDUCR/L-11070-07 | 50 | 16 | 11 | 70 | 46 | 20 | 0.65 | DCMT0702 |
| | PSC3-SDUCR/L-13075-11 | 32 | 20 | 13 | 75 | 58 | 25 | 0.3 | DCMT11T3 |
| | PSC3-SDUCR/L-17090-11 | 32 | 25 | 17 | 90 | 73 | 32 | 0.3 | DCMT11T3 |
| | PSC3-SDUCR/L-22096-11 | 32 | 32 | 22 | 96 | 81 | 40 | 0.3 | DCMT11T3 |
| | PSC4-SDUCR/L-13080-11 | 40 | 20 | 13 | 80 | 57 | 25 | 0.5 | DCMT11T3 |
| | PSC4-SDUCR/L-17090-11 | 40 | 25 | 17 | 90 | 68 | 32 | 0.5 | DCMT11T3 |
| | PSC4-SDUCR/L-22110-11 | 40 | 32 | 22 | 110 | 89 | 40 | 0.5 | DCMT11T3 |
| | PSC4-SDUCR/L-27080-11 | 40 | 40 | 27 | 80 | 60 | 50 | 0.5 | DCMT11T3 |
| | PSC5-SDUCR/L-13080-11 | 50 | 20 | 13 | 80 | 56 | 25 | 0.65 | DCMT11T3 |
| | PSC5-SDUCR/L-17090-11 | 50 | 25 | 17 | 90 | 67 | 32 | 0.65 | DCMT11T3 |
| | PSC5-SDUCR/L-22110-11 | 50 | 32 | 22 | 110 | 88 | 40 | 0.65 | DCMT11T3 |
| | PSC5-SDUCR/L-35100-11 | 50 | 50 | 35 | 100 | 80 | 63 | 0.65 | DCMT11T3 |

PSC 内径车削单元 Internal Turning Units

SSKCR: Kr75°

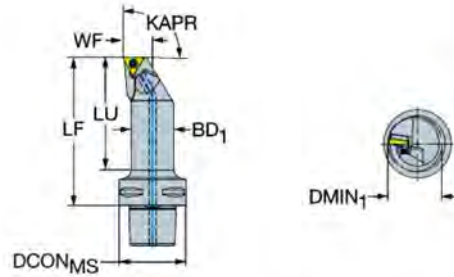


产品信息 Specification

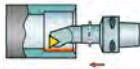
| 主偏角 (Kr) | 型号 Code | DCON | BD1 | WF | LF | LU | DMIN1 | Kg | ISO 刀片 ISO Insert |
|---|---------------------|------|-----|----|----|----|-------|------|----------------------|
| 75° | PSC4-SSKCR-13080-09 | 40 | 20 | 13 | 80 | 58 | 25 | 0.36 | SCMT09T3 |
|  | PSC5-SSKCR-13080-09 | 40 | 20 | 13 | 80 | 56 | 25 | 0.54 | SCMT09T3 |

PSC 内径车削单元 Internal Turning Units

STFCR/L-HPB: Kr91°

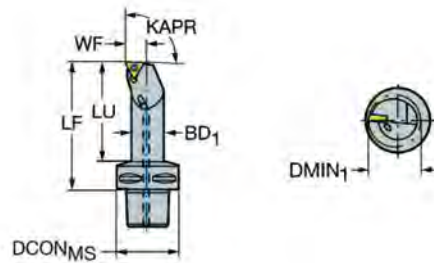


产品信息 Specification

| 主偏角 (Kr) | 型号 Code | DCON | BD1 | WF | LF | LU | DMIN1 | Kg | ISO 刀片 ISO Insert |
|--|---------------------------|------|-----|----|-----|----|-------|------|----------------------|
| 91°  | PSC4-STFCR/L-11070-11HPB1 | 40 | 16 | 11 | 70 | 47 | 20 | 0.35 | TCMT1103 |
| | PSC4-STFCR/L-13080-11HPB1 | 40 | 20 | 13 | 80 | 57 | 25 | 0.35 | TCMT1103 |
| | PSC4-STFCR/L-17090-16HP | 40 | 25 | 17 | 90 | 69 | 32 | 0.35 | TCMT16T3 |
| | PSC5-STFCR/L-17090-16HP | 50 | 25 | 17 | 90 | 67 | 32 | 0.5 | TCMT16T3 |
| | PSC5-STFCR/L-22110-16HP | 50 | 32 | 22 | 110 | 88 | 40 | 0.5 | TCMT16T3 |

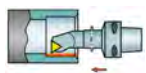
PSC 内径车削单元 Internal Turning Units

STFCR/L-B: Kr91°



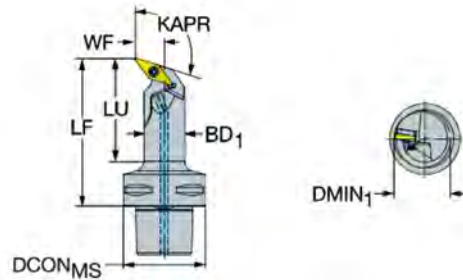
产品信息 Specification

| 主偏角 (Kr) | 型号 Code | DCON | BD1 | WF | LF | LU | DMIN1 | Kg | ISO 刀片 ISO Insert |
|-------------|--------------------------|------|-----|----|-----|----|-------|------|----------------------|
| 91° | PSC3-STFCR/L-11065-11-B1 | 32 | 16 | 11 | 65 | 48 | 20 | 0.15 | TCMT1103 |
| | PSC3-STFCR/L-11065-11 | 32 | 16 | 11 | 65 | 48 | 20 | 0.15 | TCMT1102 |
| | PSC4-STFCR/L-11070-11 | 40 | 16 | 11 | 70 | 47 | 20 | 0.31 | TCMT1102 |
| | PSC4-STFCR/L-11070-11-B1 | 40 | 16 | 11 | 70 | 47 | 20 | 0.34 | TCMT1103 |
| | PSC4-STFCR/L-13080-11 | 40 | 20 | 13 | 80 | 57 | 25 | 0.36 | TCMT1102 |
| | PSC4-STFCR/L-13080-11-B1 | 40 | 20 | 13 | 80 | 57 | 25 | 0.36 | TCMT1103 |
| | PSC5-STFCR/L-11070-11-B1 | 50 | 16 | 11 | 70 | 46 | 20 | 0.45 | TCMT1103 |
| | PSC5-STFCR/L-13080-11-B1 | 50 | 20 | 13 | 80 | 56 | 25 | 0.54 | TCMT1103 |
| | PSC5-STFCR-11070-11 | 50 | 16 | 11 | 70 | 46 | 20 | 0.45 | TCMT1102 |
| | PSC5-STFCR-13080-11 | 50 | 20 | 13 | 80 | 56 | 25 | 0.54 | TCMT1102 |
| | PSC3-STFCR-17090-16 | 32 | 25 | 17 | 90 | 74 | 32 | 0.34 | TCMT16T3 |
| | PSC4-STFCR/L-17090-16 | 40 | 25 | 17 | 90 | 68 | 32 | 0.45 | TCMT16T3 |
| | PSC4-STFCR/L-22110-16 | 40 | 32 | 22 | 110 | 89 | 40 | 0.69 | TCMT16T3 |
| | PSC5-STFCR/L-17090-16 | 50 | 25 | 17 | 90 | 67 | 32 | 0.65 | TCMT16T3 |
| | PSC5-STFCR/L-22110-16 | 50 | 32 | 22 | 110 | 88 | 40 | 0.87 | TCMT16T3 |




PSC 内径车削单元 Internal Turning Units

SVQBR/L-HP: Kr107.5°



产品信息 Specification

| 主偏角 (Kr) | 型号 Code | DCON | BD1 | WF | LF | LU | DMIN1 | Kg | ISO 刀片 ISO Insert |
|---|---------------------------|------|-----|----|-----|----|-------|------|----------------------|
| 107.5°  | PSC4-SVQBR/L-13070-11HPB1 | 40 | 20 | 13 | 70 | 47 | 25 | 0.35 | VBMT1103 |
| | PSC4-SVQBR/L-18090-16HP | 40 | 25 | 18 | 90 | 68 | 33 | 0.35 | VBMT1604 |
| | PSC5-SVQBR/L-18090-16HP | 50 | 25 | 18 | 90 | 67 | 33 | 0.5 | VBMT1604 |
| | PSC6-SVQBR/L-22120-16HP | 63 | 32 | 22 | 120 | 94 | 40 | 1.25 | VBMT1604 |

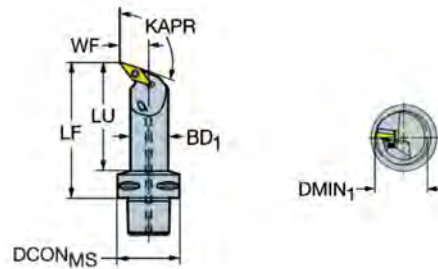
84

Hi-Tech Cutting Tool Co., Ltd.

Tel: +86 769 8150 2920 Fax: +86 769 81502952 Email: shirleypeng@htcuttingtool.com Web: www.htcuttingtool.com
 Add: No. 8, West 1st District, Shihe Road, Shilongkeng Village, Liaobu Town, Dongguan City, China

PSC 内径车削单元 Internal Turning Units

SVQBR/L: Kr107.5°



产品信息 Specification

| 主偏角 (Kr) | 型号 Code | DCON | BD1 | WF | LF | LU | DMIN1 | Kg | ISO 刀片 ISO Insert |
|---|--------------------------|------|-----|----|----|----|-------|------|----------------------|
| 107.5°  | PSC3-SVQBR/L-13070-11-B1 | 32 | 16 | 13 | 70 | 53 | 22 | 0.35 | VBMT1103 |
| | PSC4-SVQBR-15080-11-B1 | 40 | 20 | 15 | 80 | 63 | 27 | 0.3 | VBMT1103 |
| | PSC4-SVQBR/L-13070-11-B1 | 40 | 20 | 13 | 70 | 47 | 25 | 0.5 | VBMT1103 |
| | PSC4-SVQBR/L-15080-11-B1 | 40 | 20 | 15 | 80 | 57 | 27 | 0.5 | VBMT1103 |
| | PSC4-SVQBR-13070-11 | 40 | 20 | 13 | 70 | 48 | 25 | 0.5 | VBMT1102 |
| | PSC4-SVQBR-15080-11 | 40 | 20 | 15 | 80 | 58 | 27 | 0.5 | VBMT1102 |
| | PSC5-SVQBR/L-15080-11 | 50 | 20 | 15 | 80 | 57 | 27 | 0.65 | VBMT1102 |
| | PSC5-SVQBR/L-15080-11-B1 | 50 | 20 | 15 | 80 | 56 | 27 | 0.65 | VBMT1103 |

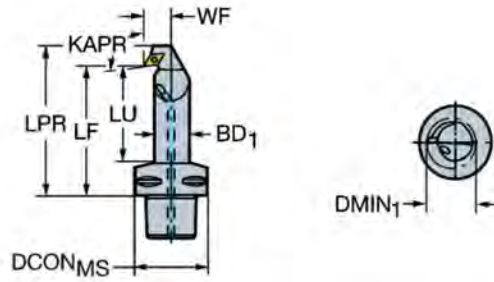
85

Hi-Tech Cutting Tool Co., Ltd.

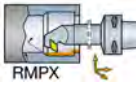
Tel: +86 769 8150 2920 Fax: +86 769 81502952 Email: shirleypeng@htcuttingtool.com Web: www.htcuttingtool.com
 Add: No. 8, West 1st District, Shihe Road, Shilongkeng Village, Liaobu Town, Dongguan City, China

PSC 内径车削单元 Internal Turning Units

SDUCR/L-X: Kr107.5°

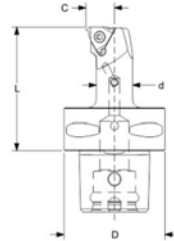


产品信息 Specification

| 主偏角 (Kr) | 型号 Code | DCON | BD1 | WF | LF | LPR | LU | DMIN1 | Kg | ISO 刀片 ISO Insert |
|--|------------------------|------|-----|----|----|-------|------|-------|------|----------------------|
|  107.5° | PSC3-SDUCR/L-15080-07X | 32 | 20 | 15 | 80 | 91.5 | 63.9 | 27 | 0.25 | DCMT0702 |
| | PSC4-SDUCR/L-13070-07X | 40 | 16 | 13 | 70 | 81.5 | 47.3 | 22 | 0.35 | DCMT0702 |
| | PSC4-SDUCR/L-15080-07X | 40 | 20 | 15 | 80 | 91.5 | 47.9 | 27 | 0.4 | DCMT0702 |
| | PSC4-SDUCR/L-18090-07X | 40 | 25 | 18 | 90 | 101.5 | 68.5 | 32 | 0.5 | DCMT0702 |
| | PSC5-SDUCR/L-15080-07X | 50 | 20 | 15 | 80 | 91.5 | 56.5 | 27 | 0.6 | DCMT0702 |
| | PSC5-SDUCR/L-18090-07X | 50 | 25 | 18 | 90 | 101.5 | 67.5 | 32 | 0.7 | DCMT0702 |

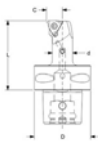
PSC 内径车削单元 Internal Turning Units

SNR/L



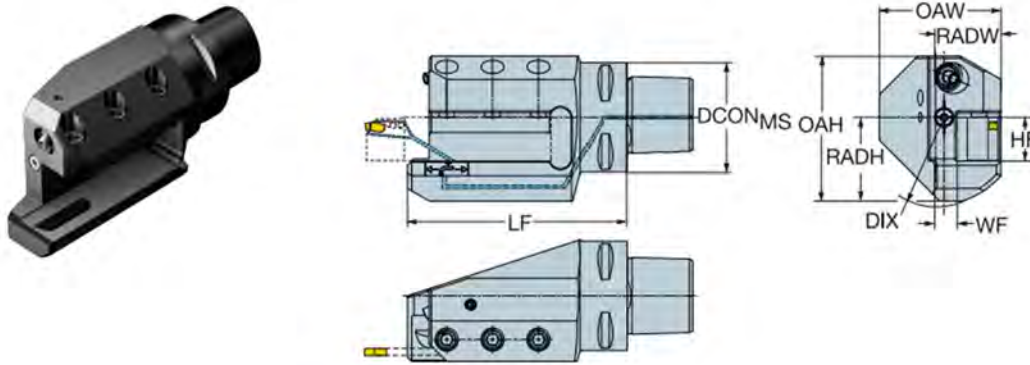
产品信息 Specification

| 主偏角 (Kr) | 型号 Code | DCON | BD1 | WF | LF | DMIN1 | Kg | ISO 刀片 ISO Insert |
|-------------|---------------------|------|-----|----|-----|-------|------|----------------------|
| | PSC3-SNR/L-08060-11 | 32 | 13 | 8 | 60 | -- | 0.24 | 11IR ISO(0.35-2.0) |
| | PSC3-SNR/L-12060-11 | 32 | 13 | 12 | 60 | -- | 0.24 | 11IR ISO(0.35-2.0) |
| | PSC4-SNR/L-08060-11 | 40 | 13 | 8 | 60 | -- | 0.3 | 11IR ISO(0.35-2.0) |
| | PSC4-SNR/L-12060-11 | 40 | 13 | 12 | 60 | -- | 0.3 | 11IR ISO(0.35-2.0) |
| | PSC5-SNR/L-08060-11 | 50 | 13 | 8 | 60 | -- | 0.33 | 11IR ISO(0.35-2.0) |
| | PSC5-SNR/L-12060-11 | 50 | 13 | 12 | 60 | -- | 0.33 | 11IR ISO(0.35-2.0) |
| | PSC6-SNR/L-08060-11 | 63 | 13 | 8 | 60 | -- | 0.4 | 11IR ISO(0.35-2.0) |
| | PSC6-SNR/L-12060-11 | 63 | 13 | 12 | 60 | -- | 0.4 | 11IR ISO(0.35-2.0) |
| | PSC3-SNR/L-12050-16 | 32 | 15 | 12 | 50 | -- | 0.21 | 16IRISO |
| | PSC3-SNR/L-14060-16 | 32 | 18 | 14 | 60 | -- | 0.24 | 16IRISO |
| | PSC4-SNR/L-12060-16 | 40 | 15 | 12 | 60 | -- | 0.55 | 16IRISO |
| | PSC4-SNR/L-14060-16 | 40 | 18 | 14 | 60 | -- | 0.51 | 16IRISO |
| | PSC4-SNR/L-17070-16 | 40 | 24 | 17 | 70 | -- | 0.52 | 16IRISO |
| | PSC4-SNR/L-22090-16 | 40 | 32 | 22 | 90 | -- | 0.52 | 16IRISO |
| | PSC5-SNR/L-12060-16 | 50 | 15 | 12 | 60 | -- | 0.55 | 16IRISO |
| | PSC5-SNR/L-14060-16 | 50 | 18 | 14 | 60 | -- | 0.55 | 16IRISO |
| | PSC5-SNR/L-17070-16 | 50 | 24 | 17 | 70 | -- | 0.55 | 16IRISO |
| | PSC5-SNR/L-22090-16 | 50 | 32 | 22 | 90 | -- | 0.55 | 16IRISO |
| | PSC5-SNR/L-27105-16 | 50 | 40 | 27 | 105 | -- | 0.55 | 16IRISO |
| | PSC6-SNR/L-14070-16 | 63 | 18 | 14 | 70 | -- | 0.55 | 16IRISO |
| | PSC6-SNR/L-17070-16 | 63 | 24 | 17 | 70 | -- | 0.55 | 16IRISO |
| | PSC6-SNR/L-22090-16 | 63 | 32 | 22 | 90 | -- | 1.1 | 16IRISO |
| | | 63 | 40 | 27 | 105 | -- | 1.35 | 16IRISO |



PSC 车铣复合刀座 Multi-task Machine Tool Holder

0° Rectangular Shank Turning Holder



产品信息 Specification

| PSC | Shank | Ordering Code | DCONms | LF | WF | HF | OAW | OAH | RADH | RADW | DIX | BAR | KG |
|------|-------|--------------------|--------|-----|----|----|------|-----|------|------|-----|-----|-----|
| PSC5 | 20*20 | PSC5-ASHR/L-095-20 | 50 | 95 | 10 | 20 | 55.5 | 69 | 37 | 30 | 85 | 150 | 1.6 |
| PSC6 | 20*20 | PSC6-ASHR/L-105-20 | 63 | 105 | 10 | 20 | 63.5 | 69 | 37 | 30 | 85 | 150 | 2.3 |
| PSC6 | 25*25 | PSC6-ASHR/L-122-25 | 63 | 122 | 13 | 25 | 70 | 78 | 46 | 38 | 100 | 150 | 3.1 |
| PSC8 | 25*25 | PSC8-ASHR/L-122-25 | 80 | 122 | 15 | 25 | 80 | 86 | 46 | 40 | 103 | 150 | 4.3 |
| PSC8 | 32*32 | PSC8-ASHR/L-140-32 | 80 | 140 | 8 | 32 | 80 | 95 | 55 | 40 | 110 | 150 | 4.0 |

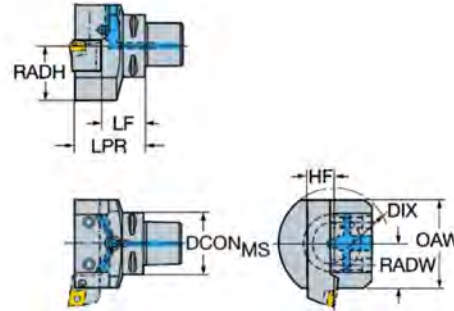
88

Hi-Tech Cutting Tool Co., Ltd.

Tel: +86 769 8150 2920 Fax: +86 769 81502952 Email: shirleypeng@htcuttingtool.com Web: www.htcuttingtool.com
 Add: No. 8, West 1st District, Shihe Road, Shilongkeng Village, Liaobu Town, Dongguan City, China

PSC 车铣复合刀座 Multi-task Machine Tool Holder

90° Rectangular Shank Turning Holder



产品信息 Specification

| PSC | Shank | Ordering Code | DCONms | LPR | LF | WF | HF | OAW | OAH | RADH | RADW | DIX | BAR | KG |
|------|-------|------------------|--------|-----|----|----|----|-----|-----|------|------|-----|-----|-----|
| PSC5 | 20*20 | PSC5-ASHA-065-20 | 50 | 65 | 45 | 32 | 20 | 64 | 69 | 37 | 32 | 85 | 150 | 1.4 |
| PSC6 | 20*20 | PSC6-ASHA-070-20 | 63 | 70 | 50 | 32 | 20 | 64 | 69 | 37 | 32 | 85 | 150 | 1.8 |
| PSC6 | 25*25 | PSC6-ASHA-080-25 | 63 | 80 | 55 | 38 | 25 | 76 | 78 | 46 | 38 | 100 | 150 | 2.4 |
| PSC8 | 25*25 | PSC8-ASHA-075-25 | 80 | 75 | 50 | 38 | 25 | 80 | 86 | 46 | 38 | 103 | 150 | 3.0 |
| PSC8 | 32*32 | PSC8-ASHA-085-32 | 80 | 85 | 53 | -- | 32 | 110 | -- | 65 | 55 | 142 | 150 | 4.0 |

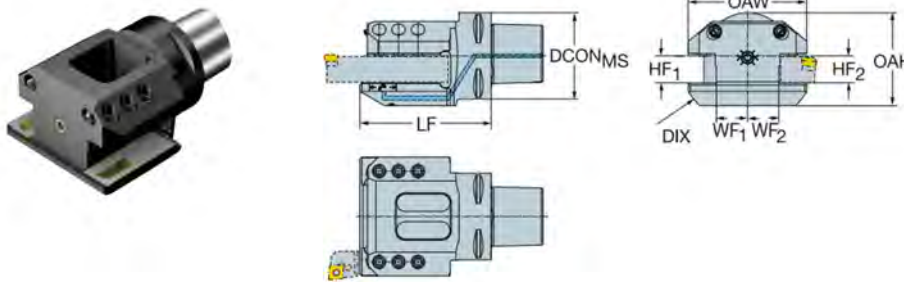
89

Hi-Tech Cutting Tool Co., Ltd.

Tel: +86 769 8150 2920 Fax: +86 769 81502952 Email: shirleypeng@htcuttingtool.com Web: www.htcuttingtool.com
 Add: No. 8, West 1st District, Shihe Road, Shilongkeng Village, Liaobu Town, Dongguan City, China

PSC 车铣复合刀座 Multi-task Machine Tool Holder

0° Rectangular Shank Turning Holder: Two Shanks

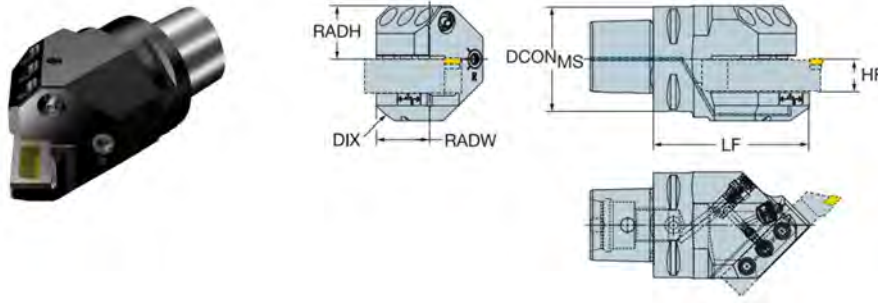


产品信息 Specification

| PSC | Shank | Ordering Code | DCONms | LF1 | LF2 | WF1 | WF2 | HF1 | HF2 | OAW | OAH | RADH | RADW | DIX | BAR | KG |
|------|-------|------------------|--------|-----|-----|-----|-----|-----|-----|-----|-----|------|------|-----|-----|-----|
| PSC6 | 25*25 | PSC6-ASHS-122-25 | 63 | 122 | 122 | 20 | 20 | 25 | 25 | 90 | 78 | 46 | 45 | 114 | 150 | 4.1 |
| PSC8 | 25*25 | PSC8-ASHS-122-25 | 80 | 122 | 122 | 30 | 30 | 25 | 25 | 110 | 78 | 46 | 55 | 128 | 150 | 4.7 |

PSC 车铣复合刀座 Multi-task Machine Tool Holder

45° Rectangular Shank Turning Holder



产品信息 Specification

| PSC | Shank | Ordering Code | DCONms | LF | HF | OAW | OAH | RADH | RADW | DIX | BAR | KG |
|------|-------|----------------------|--------|-----|----|-----|-----|------|------|-----|-----|-----|
| PSC5 | 20*20 | PSC5-ASHR/L45-085-20 | 50 | 852 | 20 | 64 | 69 | 37 | 32 | 85 | 150 | 1.6 |
| PSC6 | 25*25 | PSC6-ASHR/L45-095-20 | 63 | 95 | 20 | 64 | 69 | 37 | 32 | 85 | 150 | 2.2 |
| PSC6 | 25*25 | PSC6-ASHR/L45-114-25 | 63 | 114 | 25 | 72 | 78 | 46 | 36 | 100 | 10 | 2.8 |

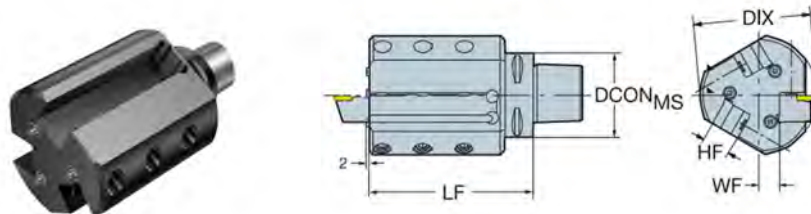
91

Hi-Tech Cutting Tool Co., Ltd.

Tel: +86 769 8150 2920 Fax: +86 769 81502952 Email: shirleypeng@htcuttingtool.com Web: www.htcuttingtool.com
 Add: No. 8, West 1st District, Shihe Road, Shilongkeng Village, Liaobu Town, Dongguan City, China

PSC 车铣复合刀座 Multi-task Machine Tool Holder

Rectangular Shank Turning Holder: Three shanks

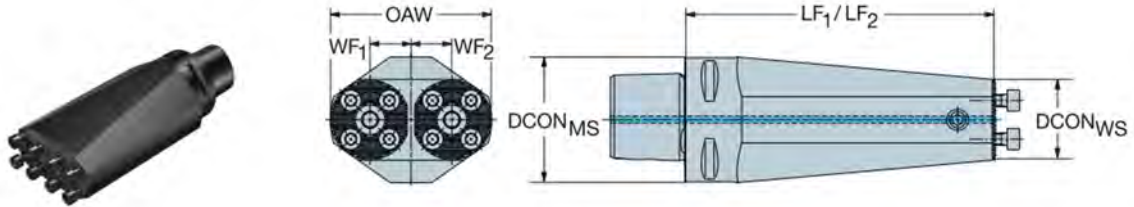


产品信息 Specification

| PSC | Shank | Ordering Code | DCONms | LF | WF | HF | DIX | BAR | KG |
|------|-------|-----------------------|--------|-----|----|----|-----|-----|-----|
| PSC5 | 20*20 | PSC5-ASHR3-36123-20 | 50 | 123 | 16 | 20 | 90 | 80 | 3.6 |
| PSC6 | 20*20 | PSC6-ASHR/L3-36125-20 | 63 | 125 | 16 | 20 | 90 | 80 | 3.9 |

PSC 车铣复合刀座 Multi-task Machine Tool Holder

Boring bar for two SL heads

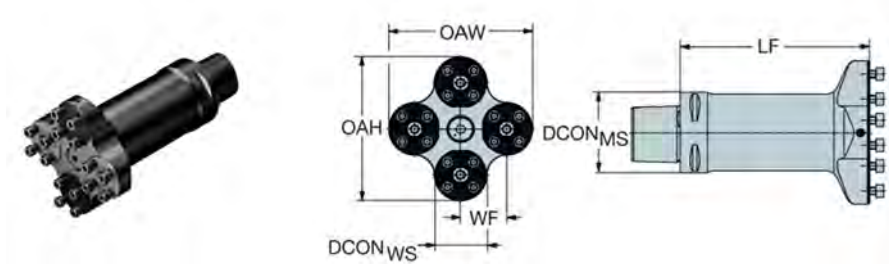


产品信息 Specification

| PSC | SL | Ordering Code | DCONms | DCONws | LF | WF | OAW | DIX | BAR | NM | KG |
|------|----|----------------------|--------|--------|-----|------|-----|-----|-----|-----|-----|
| PSC6 | 32 | PSC6-SL-2C65150-32-2 | 63 | 32 | 150 | 16.5 | 65 | 65 | 70 | 8.8 | 3.5 |
| PSC8 | 40 | PSC8-SL-2C81180-40-2 | 80 | 40 | 180 | 20.5 | 81 | 81 | 70 | 17 | 6.9 |

PSC 车铣复合刀座 Multi-task Machine Tool Holder

Boring bar for four SL heads

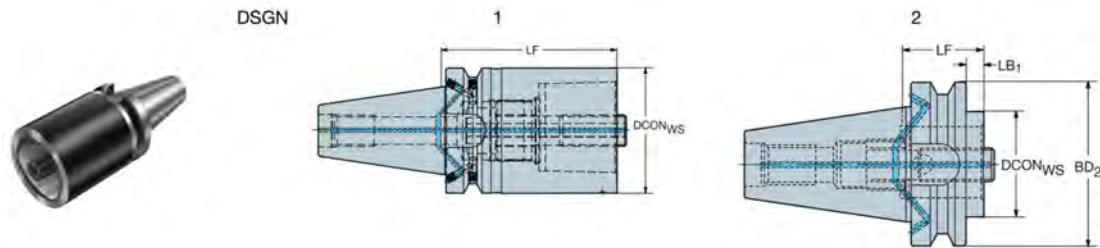


产品信息 Specification

| PSC | SL | Ordering Code | DCONms | DCONws | LF | WF | OAW | OAH | BAR | NM | KG |
|------|----|----------------------|--------|--------|-----|----|-----|-----|-----|----|-----|
| PSC6 | 40 | PSC6-4-SL40113150-AX | 63 | 40 | 150 | 36 | 113 | 113 | 150 | 17 | 4.4 |
| PSC8 | 40 | PSC8-4-SL40113180-AX | 80 | 40 | 180 | 36 | 113 | 113 | 150 | 17 | 6.1 |

Captol 类型刀柄 Capto Tool Holder

MAS-BT 403 to Capto adaptor , Machine side interface compatible with JIS B 6339

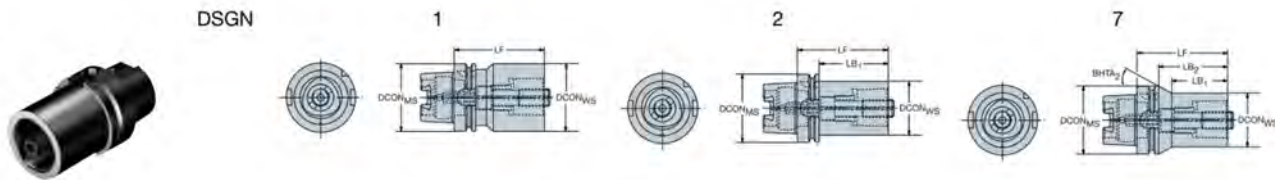


产品信息 Specification

| BT | DSGN | Ordering Code | CRKS | DCONws | LF | LB1 | LB2 | BD2 | BAR | NM | KG |
|------|------|---------------------|------|--------|-----|-----|------|------|-----|-----|------|
| BT30 | 2 | PSC3-390.55-30030 | M12 | 32 | 30 | 8 | 30 | 46 | 80 | 45 | 0.42 |
| BT30 | 2 | PSC3-390.55-30060 | M12 | 32 | 60 | 38 | 60 | 46 | 80 | 45 | 0.58 |
| BT30 | 2 | PSC4-390.55-30060 | M12 | 40 | 60 | 38 | 60 | 46 | | 55 | 0.67 |
| BT30 | 1 | PSC5-390.55-30080 | M12 | 50 | 80 | 80 | -- | -- | 80 | 95 | 1.07 |
| BT40 | 2 | PSC3-390B.55-40030 | M16 | 32 | 30 | 3.0 | 30.0 | 63.0 | 80 | 45 | 0.99 |
| BT40 | 2 | PSC3-390B.55-40060 | M16 | 32 | 60 | 33 | 60 | 63 | 80 | 45 | 1.14 |
| BT40 | 2 | PSC4-390B.55-40030 | M16 | 40 | 30 | 3 | 30 | 63 | 80 | 55 | 0.95 |
| BT40 | 2 | PSC4-390B.55-40060 | M16 | 40 | 60 | 33 | 60 | 63 | 80 | 55 | 1.21 |
| BT40 | 2 | PSC5-390B.55-40050 | M16 | 50 | 50 | 23 | 50 | 63 | 80 | 95 | 1.15 |
| BT40 | 2 | PSC5-390B.55-40090 | M16 | 50 | 90 | 63 | 90 | 63 | 80 | 95 | 1.72 |
| BT40 | 1 | PSC6-390B.55-40075 | M16 | 63 | 75 | 75 | -- | -- | 80 | 170 | 1.74 |
| BT50 | 2 | PSC3-390B.58-50040 | M24 | 32 | 40 | 2 | 40 | 100 | 80 | 45 | 3.68 |
| BT50 | 2 | PSC3-390B.58-50070 | M24 | 32 | 70 | 32 | 70 | 100 | 80 | 45 | 3.8 |
| BT50 | 2 | PSC4-390B.58-50040 | M24 | 40 | 40 | 2 | 40 | 100 | 80 | 55 | 3.65 |
| BT50 | 2 | PSC4-390B.58-50070 | M24 | 40 | 70 | 32 | 70 | 100 | 80 | 55 | 3.88 |
| BT50 | 2 | PSC5-390B.58-50040 | M24 | 50 | 40 | 2 | 40 | 100 | 80 | 95 | 3.56 |
| BT50 | 2 | PSC5-390B.58-50080 | M24 | 50 | 80 | 42 | 80 | 100 | 80 | 95 | 4.09 |
| BT50 | 2 | PSC6-390B.58-50050 | M24 | 63 | 50 | 12 | 50 | 100 | 80 | 170 | 3.61 |
| BT50 | 2 | PSC6-390B.58-50100 | M24 | 63 | 100 | 62 | 100 | 100 | 80 | 170 | 4.71 |
| BT50 | 2 | PSC8-390B.58-50070 | M24 | 80 | 70 | 32 | 70 | 100 | 80 | 170 | 4.12 |
| BT50 | 2 | PSC8-390B.58-50120 | M24 | 80 | 120 | 72 | 120 | 100 | 80 | 170 | 5.98 |
| BT50 | 1 | PSC10-390B.58-50140 | M24 | 100 | 140 | 140 | -- | -- | 80 | 380 | 8.00 |
| BT60 | 2 | PSC8-390.58-60120 | M30 | 80 | 120 | 72 | 120 | 155 | 80 | 170 | 5.14 |
| BT60 | 2 | PSC10-390.58-60080 | M30 | 100 | 80 | 32 | 80 | 155 | 80 | 380 | 13.3 |

Captol 类型刀柄 Capto Tool Holder

HSK to Capto adaptor, Machine side interface HSK A/C



产品信息 Specification

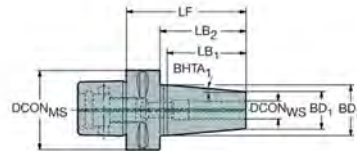
| HSK | DSGN | Ordering Code | DCONms | DCONws | LF | LB1 | LB2 | LB3 | BD2 | BD3 | BHTA2 | BAR | NM | KG |
|--------|------|----------------------|--------|--------|-----|-----|-----|-----|-----|-----|-------|-----|-----|------|
| HSK50 | 2 | PSC3-390.410-50075A | 50 | 32 | 75 | 49 | 75 | -- | 50 | -- | 0° | 100 | 45 | 0.67 |
| HSK50 | 2 | PSC4-390.410-50080A | 50 | 40 | 80 | 54 | 80 | -- | 50 | -- | 0° | 100 | 55 | 0.85 |
| HSK63 | 2 | PSC3-390.410-630750 | 63 | 32 | 75 | 49 | 75 | -- | 63 | -- | 0° | 100 | 45 | 0.97 |
| HSK63 | 2 | PSC4-390.410-630800 | 63 | 40 | 80 | 54 | 80 | -- | 63 | -- | 0° | 100 | 55 | 1.14 |
| HSK63 | 2 | PSC5-390.410-630900 | 63 | 50 | 90 | 64 | 90 | -- | 63 | -- | 0° | 100 | 95 | 1.47 |
| HSK80 | 2 | PSC4-390.410-80090 | 80 | 40 | 90 | 64 | 90 | -- | 80 | -- | 0° | 100 | 55 | 1.69 |
| HSK80 | 2 | PSC5-390.410-80095 | 80 | 50 | 95 | 69 | 95 | -- | 80 | -- | 0° | 100 | 95 | 2.02 |
| HSK80 | 2 | PSC6-390.410-80110 | 80 | 63 | 110 | 84 | 110 | -- | 80 | -- | 0° | 100 | 170 | 2.79 |
| HSK100 | 7 | PSC3-390.410-100080A | 100 | 23 | 80 | 43 | 51 | 80 | 32 | 100 | 45° | 100 | 45 | 2.42 |
| HSK100 | 2 | PSC4-390.410-100090A | 100 | 40 | 90 | 61 | 90 | -- | 100 | -- | 0° | 100 | 55 | 2.62 |
| HSK100 | 2 | PSC5-390.410-100100A | 100 | 50 | 100 | 71 | 100 | -- | 100 | -- | 0° | 100 | 95 | 3.02 |
| HSK100 | 2 | PSC6-390.410-100110A | 100 | 63 | 110 | 81 | 110 | -- | 100 | -- | 0° | 100 | 170 | 3.70 |
| HSK100 | 2 | PSC8-390.410-100120A | 100 | 80 | 120 | 91 | 120 | -- | 100 | -- | 0° | 100 | 170 | 4.87 |
| HSK100 | 1 | PSC10-390.410-100155 | 100 | 100 | 155 | 155 | -- | -- | -- | -- | -- | 100 | 380 | 7.64 |
| HSK125 | 7 | PSC4-390.410-125095 | 125 | 40 | 95 | 46 | 66 | 95 | 40 | 125 | 45° | 100 | 55 | 4.15 |
| HSK125 | 7 | PSC5-390.410-125105 | 125 | 50 | 105 | 66 | 76 | 105 | 50 | 125 | 45° | 100 | 95 | 4.46 |
| HSK125 | 2 | PSC6-390.410-125120 | 125 | 63 | 120 | 91 | 120 | -- | 125 | -- | 0° | 100 | 170 | 5.35 |
| HSK125 | 2 | PSC8-390.410-125130 | 125 | 80 | 130 | 101 | 130 | -- | 125 | -- | 0° | 100 | 170 | 6.70 |
| HSK125 | 2 | PSC10-390.410-125160 | 125 | 100 | 160 | 131 | 160 | -- | 125 | -- | 0° | 100 | 380 | 9.66 |
| HSK160 | 2 | PSC6-390.410-160125 | 160 | 63 | 125 | 94 | 125 | -- | 160 | -- | 0° | 100 | 170 | 8.55 |
| HSK160 | 2 | PSC8-390.410-160135 | 160 | 80 | 135 | 104 | 135 | -- | 160 | -- | 0° | 100 | 170 | 10.2 |
| HSK160 | 2 | PSC10-390.410-160160 | 160 | 100 | 160 | 129 | 160 | -- | 160 | -- | 0° | 100 | 380 | 12.3 |

Captol 类型刀柄 Capto Tool Holder

Capto® to shrink fit chuck



Short design



产品信息 Specification

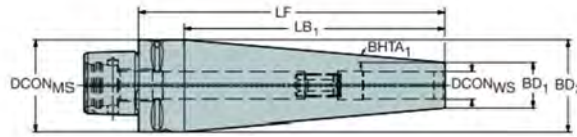
| Capto | DSGN | Ordering Code | DCONms | DCONws | LF | LB ₁ | LB ₂ | BD ₁ | BD ₂ | BHTA ₁ | BAR | KG | RPMX |
|-------|-------|--------------------|--------|--------|-----|-----------------|-----------------|-----------------|-----------------|-------------------|-----|-------|-------|
| C4 | Short | PSC4-391.19-06075 | 40 | 6 | 75 | 44.1 | 55 | 20 | 27 | 4° | 80 | 0.43 | 39000 |
| C4 | Short | PSC4-391.19-08075 | 40 | 8 | 75 | 44.1 | 55 | 20 | 27 | 4° | 80 | 0.453 | 39000 |
| C4 | Short | PSC4-391.19-10075 | 40 | 10 | 75 | 50.5 | 55 | 24 | 32 | 4° | 80 | 0.5 | 39000 |
| C4 | Short | PSC4-391.19-12075 | 40 | 12 | 75 | 50.5 | 55 | 24 | 32 | 4° | 80 | 0.5 | 39000 |
| C4 | Short | PSC4-391.19-14080 | 40 | 14 | 80 | 44.1 | 60 | 27 | 34 | 4° | 80 | 0.58 | 39000 |
| C4 | Short | PSC4-391.19-16080 | 40 | 16 | 80 | 44.1 | 60 | 27 | 34 | 4° | 80 | 0.56 | 39000 |
| C5 | Short | PSC5-391.19-06075 | 50 | 6 | 75 | 44.1 | 55 | 20 | 27 | 4° | 80 | 0.64 | 28000 |
| C5 | Short | PSC5-391.19-08075 | 50 | 8 | 75 | 43.9 | 55 | 20 | 27 | 4° | 80 | 0.63 | 28000 |
| C5 | Short | PSC5-391.19-10075 | 50 | 10 | 75 | 50.2 | 55 | 24 | 32 | 4° | 80 | 0.70 | 28000 |
| C5 | Short | PSC5-391.19-12075 | 50 | 12 | 75 | 50.2 | 55 | 24 | 32 | 4° | 80 | 0.68 | 28000 |
| C5 | Short | PSC5-391.19-14080 | 50 | 14 | 80 | 44.1 | 60 | 27 | 34 | 4° | 80 | 0.76 | 28000 |
| C5 | Short | PSC5-391.19-16080 | 50 | 16 | 80 | 44.1 | 60 | 27 | 34 | 4° | 80 | 0.73 | 28000 |
| C5 | Short | PSC5-391.19-18080 | 50 | 18 | 80 | 56.9 | 60 | 33 | 42 | 4° | 80 | 0.90 | 28000 |
| C5 | Short | PSC5-391.19-20085 | 50 | 20 | 85 | 56.9 | 65 | 33 | 42 | 4° | 80 | 0.90 | 28000 |
| C6 | Short | PSC6-391.19-06080 | 63 | 6 | 80 | 44.1 | 58 | 20 | 27 | 4° | 80 | 0.99 | 20000 |
| C6 | Short | PSC6-391.19-08080 | 63 | 8 | 80 | 44.1 | 58 | 20 | 27 | 4° | 80 | 0.99 | 20000 |
| C6 | Short | PSC6-391.19-10080 | 63 | 10 | 80 | 50.5 | 58 | 24 | 32 | 4° | 80 | 1.05 | 20000 |
| C6 | Short | PSC6-391.19-12080 | 63 | 12 | 80 | 50.5 | 58 | 24 | 32 | 4° | 80 | 1.05 | 20000 |
| C6 | Short | PSC6-391.19-14085 | 63 | 14 | 85 | 44.1 | 63 | 27 | 34 | 4° | 80 | 1.11 | 20000 |
| C6 | Short | PSC6-391.19-16085 | 63 | 16 | 85 | 44.1 | 63 | 27 | 34 | 4° | 80 | 1.11 | 20000 |
| C6 | Short | PSC6-391.19-18085 | 63 | 18 | 85 | 56.9 | 63 | 33 | 42 | 4° | 80 | 1.27 | 20000 |
| C6 | Short | PSC6-391.19-20085 | 63 | 20 | 85 | 56.9 | 63 | 33 | 42 | 4° | 80 | 1.24 | 20000 |
| C6 | Short | PSC6-391.19-25090 | 63 | 25 | 90 | 56.9 | 68 | 44 | 53 | 4° | 80 | 1.60 | 20000 |
| C6 | Short | PSC6-391.19-32095 | 63 | 32 | 95 | 56.9 | 73 | 44 | 53 | 4° | 80 | 1.51 | 20000 |
| C8 | Short | PSC8-391.19-10090 | 80 | 10 | 90 | 50.2 | 60 | 24 | 32 | 4° | 80 | 2.07 | 14000 |
| C8 | Short | PSC8-391.19-12090 | 80 | 12 | 90 | 50.2 | 60 | 24 | 32 | 4° | 80 | 2.06 | 14000 |
| C8 | Short | PSC8-391.19-16095 | 80 | 16 | 95 | 43.8 | 65 | 27 | 34 | 4° | 80 | 2.09 | 14000 |
| C8 | Short | PSC8-391.19-20095 | 80 | 20 | 95 | 56.5 | 65 | 33 | 42 | 4° | 80 | 2.21 | 14000 |
| C8 | Short | PSC8-391.19-25100 | 80 | 25 | 100 | 56.5 | 70 | 44 | 53 | 4° | 80 | 2.58 | 14000 |
| C10 | Short | PSC10-391.19-12095 | 100 | 12 | 95 | 50.5 | 59 | 24 | 32 | 4° | 80 | 3.65 | 10000 |
| C10 | Short | PSC10-391.19-16100 | 100 | 16 | 100 | 44.1 | 64 | 27 | 34 | 4° | 80 | 3.72 | 10000 |
| C10 | Short | PSC10-391.19-20100 | 100 | 20 | 100 | 56.9 | 64 | 33 | 42 | 4° | 80 | 3.83 | 10000 |
| C10 | Short | PSC10-391.19-25110 | 100 | 25 | 110 | 56.9 | 74 | 44 | 53 | 4° | 80 | 4.31 | 10000 |

Captol 类型刀柄 Capto Tool Holder

Capto® to shrink fit chuck



Long conical design

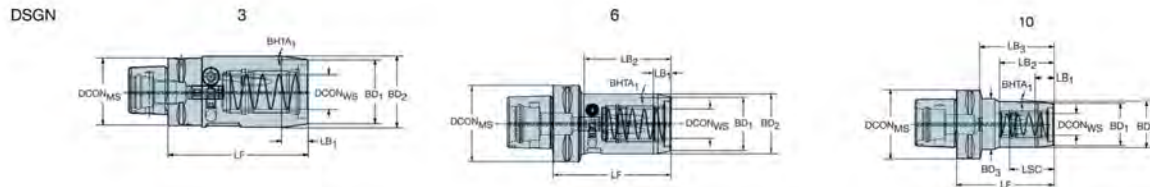


产品信息 Specification

| Capto | DSGN | Ordering Code | DCONms | DCONws | LF | LB ₁ | BD ₁ | BD ₂ | BHTA ₁ | BAR | KG | RPMX |
|-------|------|-------------------|--------|--------|-----|-----------------|-----------------|-----------------|-------------------|-----|------|-------|
| C3 | Long | PSC3-391.19-06118 | 32 | 6 | 118 | 103 | 14 | 32 | 5° | 80 | 0.45 | 55000 |
| C3 | Long | PSC3-391.19-08107 | 32 | 8 | 107 | 92 | 16 | 32 | 5° | 80 | 0.44 | 55000 |
| C3 | Long | PSC3-391.19-10095 | 32 | 10 | 95 | 80 | 18 | 32 | 5° | 80 | 0.40 | 55000 |
| C3 | Long | PSC3-391.19-12084 | 32 | 12 | 84 | 69 | 20 | 32 | 5° | 80 | 0.38 | 55000 |
| C4 | Long | PSC4-391.19-12135 | 40 | 12 | 135 | 115 | 20 | 40 | 5° | 80 | 0.84 | 39000 |
| C4 | Long | PSC4-391.19-16112 | 40 | 16 | 112 | 92 | 24 | 40 | 5° | 80 | 0.77 | 39000 |
| C4 | Long | PSC4-391.19-18080 | 40 | 18 | 80 | 56.9 | 33 | 42 | 4° | 80 | 0.69 | 39000 |
| C4 | Long | PSC4-391.19-20085 | 40 | 20 | 85 | 56.9 | 33 | 42 | 4° | 80 | 0.71 | 39000 |
| C5 | Long | PSC5-391.19-20146 | 50 | 20 | 146 | 126 | 28 | 50 | 5° | 80 | 1.45 | 28000 |
| C5 | Long | PSC5-391.19-25090 | 50 | 25 | 90 | 56.9 | 44 | 53 | 4° | 80 | 1.26 | 28000 |
| C5 | Long | PSC5-391.19-25118 | 50 | 25 | 118 | 98 | 33 | 50 | 5° | 80 | 1.25 | 28000 |

Captol 类型刀柄 Capto Tool Holder

Capto hydraulic

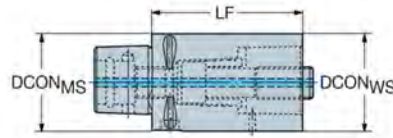


产品信息 Specification

| Capto | DSGN | Ordering Code | DCONms | DCONws | LSC | LF | LB1 | LB2 | LB3 | BD1 | BD2 | BD3 | BHTA1 | BAR | NM | KG | RPMX |
|-------|------|---------------|--------|--------|-----|-----|------|------|------|-----|-----|-----|-------|-----|----|------|-------|
| C3 | 6 | PSC3-S-06-064 | 32 | 6 | 37 | 64 | 11.3 | 33.2 | 64 | 22 | 26 | 32 | 10° | 80 | 8 | 0.32 | 55000 |
| C3 | 6 | PSC3-S-08-065 | 32 | 8 | 37 | 65 | 11.3 | 35.3 | 65 | 24 | 28 | 32 | 10° | 80 | 8 | 0.36 | 55000 |
| C3 | 6 | PSC3-S-10-070 | 32 | 10 | 41 | 70 | 11.3 | 39.6 | 70 | 26 | 30 | 32 | 10° | 80 | 8 | 0.38 | 55000 |
| C4 | 6 | PSC4-S-06-066 | 40 | 6 | 37 | 66 | 11.3 | 30.2 | 66 | 22 | 26 | 40 | 10° | 80 | 8 | 0.48 | 39000 |
| C4 | 6 | PSC4-S-08-066 | 40 | 8 | 37 | 66 | 11.3 | 30.2 | 66 | 24 | 28 | 40 | 10° | 80 | 8 | 0.50 | 39000 |
| C4 | 6 | PSC4-S-10-072 | 40 | 10 | 41 | 72 | 11.3 | 34.2 | 72 | 26 | 30 | 40 | 10° | 80 | 8 | 0.55 | 39000 |
| C4 | 6 | PSC4-S-12- | 40 | 12 | 46 | 80 | 11.3 | 40 | 80 | 28 | 32 | 40 | 10° | 80 | 8 | 0.65 | 39000 |
| C4 | 3 | PSC4S-20-090A | 40 | 40 | 51 | 90 | 16 | 90 | -- | 38 | 42 | -- | 7° | 80 | 8 | 0.85 | 39000 |
| C5 | 6 | PSC5-S-06-068 | 50 | 6 | 37 | 68 | 11.3 | 30.2 | 68 | 22 | 26 | 50 | 10° | 80 | 8 | 0.75 | 28000 |
| C5 | 6 | PSC5-S-08-070 | 50 | 8 | 37 | 70 | 11.3 | 32.2 | 70 | 24 | 28 | 50 | 10° | 80 | 8 | 0.77 | 28000 |
| C5 | 6 | PSC5-S-10-072 | 50 | 10 | 41 | 72 | 11.3 | 34.2 | 72 | 26 | 30 | 50 | 10° | 80 | 8 | 0.80 | 20000 |
| C5 | 6 | PSC5-S-12-075 | 50 | 12 | 46 | 75 | 11.3 | 38.2 | 75 | 28 | 32 | 50 | 10° | 80 | 8 | 0.85 | 28000 |
| C5 | 6 | PSC5-S-20-085 | 50 | 20 | 51 | 85 | 16 | 49.2 | 85 | 38 | 42 | 50 | 7° | 80 | 8 | 1.04 | 28000 |
| C5 | 6 | PSC5-S-20-125 | 50 | 20 | 51 | 125 | 16 | 49.2 | 125 | 38 | 42 | 50 | 7° | 80 | 8 | 1.63 | 28000 |
| C5 | 3 | PSC5-S-25-091 | 50 | 25 | 57 | 91 | 12.9 | 91 | -- | 45 | 50 | -- | 11° | 80 | 8 | 1.28 | 28000 |
| C6 | 6 | PSC6-S-25-098 | 63 | 25 | 57 | 98 | 12.9 | 72.1 | 98 | 45 | 50 | 63 | 11° | 80 | 8 | 1.70 | 20000 |
| C8 | 6 | PSC8-S-25-108 | 80 | 25 | 57 | 108 | 12.9 | 72 | 108 | 45 | 50 | 80 | 11° | 80 | 8 | 2.74 | 14000 |
| C6 | 10 | PSC6-S-06-074 | 63 | 6 | 37 | 74 | 11.3 | 30.2 | 48.1 | 22 | 26 | 50 | 10° | 80 | 8 | 1.15 | 20000 |
| C6 | 10 | PSC6-S-08-076 | 63 | 8 | 37 | 76 | 11.3 | 32.2 | 50.1 | 24 | 28 | 50 | 10° | 80 | 8 | 1.17 | 20000 |
| C6 | 10 | PSC6-S-10-078 | 63 | 10 | 41 | 78 | 11.3 | 34.2 | 52.1 | 26 | 30 | 50 | 10° | 80 | 8 | 1.20 | 20000 |
| C6 | 10 | PSC6-S-12-082 | 63 | 12 | 46 | 82 | 11.3 | 38.2 | 56 | 28 | 32 | 50 | 10° | 80 | 8 | 1.26 | 20000 |
| C6 | 10 | PSC6-S-20-091 | 63 | 20 | 51 | 91 | 16 | 49.2 | 65.1 | 38 | 42 | 50 | 7° | 80 | 8 | 1.45 | 20000 |
| C6 | 10 | PSC6-S-20-150 | 63 | 20 | 51 | 150 | 16 | 49.2 | 66.8 | 38 | 42 | 50 | 7° | 80 | 8 | 2.55 | 20000 |
| C8 | 10 | PSC8-S-12-094 | 80 | 12 | 46 | 94 | 11.3 | 38.2 | 59 | 28 | 32 | 50 | 10° | 80 | 8 | 2.36 | 14000 |
| C8 | 10 | PSC8-S-20-103 | 80 | 20 | 51 | 103 | 16 | 49.2 | 68 | 38 | 42 | 50 | 7° | 80 | 8 | 2.54 | 14000 |
| C8 | 10 | PSC8-S-20-175 | 80 | 20 | 51 | 175 | 16 | 49.2 | 70 | 38 | 42 | 50 | 7° | 80 | 8 | 4.39 | 14000 |

Capto 类型刀柄 Capto Tool Holder

Capto extension adaptor

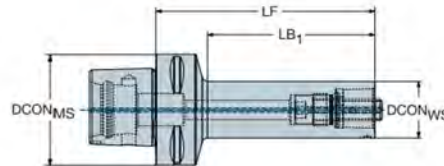


产品信息 Specification

| Capto | DSGN | Ordering Code | DCONms | DCONws | LF | BAR | NM | KG |
|-------|-------|---------------------|--------|--------|-----|-----|-----|-------|
| PSC3 | Long | PSC3-391.01-32060A | 32 | 32 | 60 | 80 | 45 | 0.36 |
| PSC3 | Long | PSC3-391.01-32 080A | 32 | 32 | 65 | 80 | 45 | 0.47 |
| PSC3 | Long | PSC3-391.01-32095 | 32 | 32 | 70 | 80 | 45 | 0.56 |
| PSC4 | Long | PSC4-391.01-40060A | 40 | 40 | 60 | 80 | 55 | 0.57 |
| PSC4 | Long | PSC4-391.01-40080A | 40 | 40 | 80 | 80 | 55 | 0.70 |
| PSC4 | Long | PSC4-391.01-40120 | 40 | 40 | 120 | 80 | 55 | 1.11 |
| PSC5 | Long | PSC5-391.01-50080A | 50 | 50 | 80 | 80 | 95 | 1.15 |
| PSC5 | Long | PSC5-391.01-50100A | 50 | 50 | 100 | 80 | 95 | 1.38 |
| PSC5 | Long | PSC5-391.01-50150 | 50 | 50 | 150 | 80 | 95 | 2.17 |
| PSC6 | Long | PSC6-391.01-63100A | 63 | 63 | 100 | 80 | 170 | 2.26 |
| PSC6 | Long | PSC6-391.01-63140A | 63 | 63 | 140 | 80 | 170 | 3.17 |
| PSC6 | Long | PSC6-391.01-63185 | 63 | 63 | 185 | 80 | 170 | 4.19 |
| PSC8 | Long | PSC8-391.01-80100A | 80 | 80 | 100 | 80 | 170 | 3.70 |
| PSC8 | Long | PSC8-391.01-80125A | 80 | 80 | 125 | 80 | 170 | 4.64 |
| PSC8 | Long | PSC8-391.01-80200 | 80 | 80 | 200 | 80 | 170 | 7.47 |
| PSC10 | Long | PSC10-391.01-100140 | 100 | 100 | 140 | 80 | 380 | 7.93 |
| PSC10 | Long | PSC10-391.01-100200 | 100 | 100 | 200 | 80 | 380 | 11.49 |
| PSC3 | Short | PSC3-391.01-32035 | 32 | 32 | 35 | 80 | 45 | 0.22 |
| PSC4 | Short | PSC4-391.01-40040 | 40 | 40 | 40 | 80 | 55 | 0.40 |
| PSC5 | Short | PSC5-391.01-50050 | 50 | 50 | 50 | 80 | 95 | 0.73 |
| PSC6 | Short | PSC6-391.01-63060 | 63 | 63 | 60 | 80 | 170 | 1.36 |
| PSC8 | Short | PSC8-391.01-80065 | 80 | 80 | 65 | 80 | 170 | 2.41 |

Capto 类型刀柄 Capto Tool Holder

Capto reduction adaptor

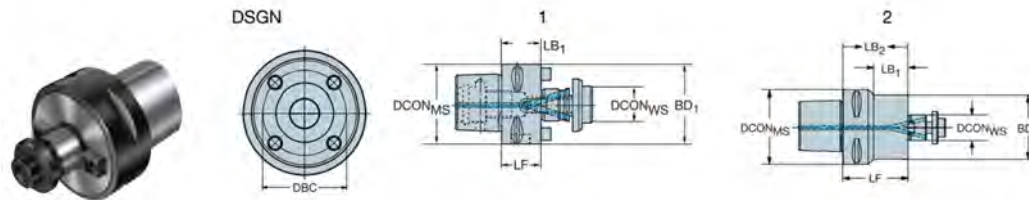


产品信息 Specification

| Capto | Ordering Code | DCONms | DCONws | LF | LB ₁ | BAR | NM | KG |
|-------|---------------------|--------|--------|-----|-----------------|-----|-----|------|
| PSC4 | PSC4-391.02-32055A | 40 | 32 | 55 | 31 | 80 | 45 | 0.49 |
| PSC4 | PSC4-391.02-32070 | 40 | 32 | 70 | 46 | 80 | 45 | 0.68 |
| PSC4 | PSC4-391.02-32120 | 40 | 32 | 120 | 95.7 | 80 | 45 | 0.81 |
| PSC5 | PSC5-391.02-32033A | 50 | 32 | 33 | 7 | 80 | 45 | 0.52 |
| PSC5 | PSC5-391.02-32 060A | 50 | 32 | 60 | 34.8 | 80 | 45 | 0.68 |
| PSC5 | PSC5-391.02-32120 | 50 | 32 | 120 | 94.4 | 80 | 45 | 0.99 |
| PSC5 | PSC5-391.02-32150 | 50 | 32 | 150 | 124.4 | 80 | 45 | 1.42 |
| PSC5 | PSC5-391.02-40065A | 50 | 40 | 65 | 40 | 80 | 55 | 0.80 |
| PSC5 | PSC5-391.02-40085A | 50 | 40 | 85 | 60 | 80 | 55 | 1.21 |
| PSC5 | PSC5-391.02-40140 | 50 | 40 | 140 | 115.5 | 80 | 55 | 1.46 |
| PSC6 | PSC6-391.02-32070A | 63 | 32 | 70 | 39 | 80 | 45 | 1.12 |
| PSC6 | PSC6-391.02-32125 | 63 | 32 | 125 | 95.6 | 80 | 45 | 1.43 |
| PSC6 | PSC6-391.02-32185 | 63 | 32 | 185 | 155.6 | 80 | 45 | 1.86 |
| PSC6 | PSC6-391.02-40040A | 63 | 40 | 40 | 11 | 80 | 45 | 1.15 |
| PSC6 | PSC6-391.02-40080A | 63 | 40 | 80 | 51.4 | 80 | 55 | 1.32 |
| PSC6 | PSC6-391.02-40145 | 63 | 40 | 145 | 116.7 | 80 | 55 | 1.86 |
| PSC6 | PSC6-391.02-40185 | 63 | 40 | 185 | 156.7 | 80 | 55 | 2.36 |
| PSC6 | PSC6-391.02-50 080A | 63 | 50 | 80 | 51.5 | 80 | 95 | 1.53 |
| PSC6 | PSC6-391.02-50175 | 63 | 50 | 175 | 148.1 | 80 | 95 | 2.79 |
| PSC8 | PSC8-391.02-32060B | 80 | 32 | 60 | 20.7 | 80 | 45 | 2.07 |
| PSC8 | PSC8-391.02-32135 | 80 | 32 | 135 | 95.7 | 80 | 45 | 2.53 |
| PSC8 | PSC8-391.02-40070B | 80 | 40 | 70 | 31.4 | 80 | 55 | 2.20 |
| PSC8 | PSC8-391.02-40155 | 80 | 40 | 155 | 116.4 | 80 | 55 | 2.97 |
| PSC8 | PSC8-391.02-50080B | 80 | 50 | 80 | 42.8 | 80 | 95 | 2.43 |
| PSC8 | PSC8-391.02-50185 | 80 | 50 | 185 | 147.8 | 80 | 95 | 3.88 |
| PSC8 | PSC8-391.02-63080B | 80 | 63 | 80 | 44.5 | 80 | 170 | 2.65 |
| PSC8 | PSC8-391.02-63200 | 80 | 63 | 200 | 164.5 | 80 | 170 | 5.37 |
| PSC10 | PSC10-391.02-63200 | 100 | 63 | 200 | 155.8 | 80 | 170 | 6.92 |
| PSC10 | PSC10-391.02-80200 | 100 | 80 | 200 | 158.1 | 80 | 170 | 8.92 |

Captol 类型刀柄 Capto Tool Holder

Capto to arbor adaptor



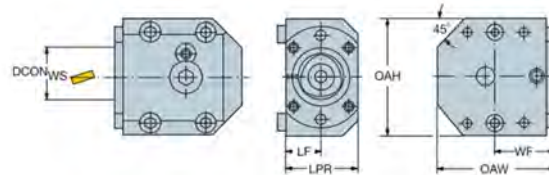
产品信息 Specification

| Capto | DSGN | Ordering Code | DCONms | DBC | DCONws | LF | LB1 | LB2 | DB1 | DB2 | BAR | NM | KG | RPMX |
|-------|------|----------------------|--------|------|--------|----|------|-----|-----|-----|-----|-----|------|-------|
| PSC3 | 1 | PSC3-391.050-16030 | 32 | -- | 16 | 30 | 30 | -- | 32 | -- | 80 | 22 | 0.25 | 20000 |
| PSC4 | 2 | PSC4-391.05C-16032 | 40 | -- | 16 | 32 | 10 | 32 | 32 | 40 | 80 | 22 | 0.38 | 20000 |
| PSC4 | 2 | PSC4-391.05C-16055 | 40 | -- | 16 | 55 | 33 | 55 | 32 | 40 | 80 | 22 | 0.40 | 20000 |
| PSC4 | 1 | PSC4-391.05C-22025 | 40 | -- | 22 | 25 | 25 | -- | 40 | -- | 80 | 45 | 0.40 | 16000 |
| PSC4 | 1 | PSC4-391.05C-22055 | 40 | -- | 22 | 55 | 55 | -- | 40 | -- | 80 | 45 | 0.60 | 16000 |
| PSC5 | 2 | PSC5-391.05C-16035 | 50 | -- | 16 | 35 | 10 | 35 | 32 | 50 | 80 | 22 | 0.60 | 20000 |
| PSC5 | 2 | PSC5-391.05C-16070 | 50 | -- | 16 | 70 | 44.8 | 70 | 32 | 50 | 80 | 22 | 0.70 | 20000 |
| PSC5 | 1 | PSC5-391.05C-22025M | 50 | -- | 22 | 25 | 25 | -- | 50 | -- | 80 | 45 | 0.62 | 16000 |
| PSC5 | 2 | PSC5-391.05C-22070 | 50 | -- | 22 | 70 | 47 | 70 | 40 | 50 | 80 | 45 | 0.90 | 16000 |
| PSC5 | 1 | PSC5-391.05C-27025M | 50 | -- | 27 | 25 | 25 | -- | 56 | -- | 80 | 80 | 0.68 | 17000 |
| PSC5 | 1 | PSC5-391.05C-32040 | 50 | -- | 32 | 40 | 40 | -- | 63 | -- | 80 | 180 | 1.14 | 16000 |
| PSC6 | 2 | PSC6-391.05C-16040 | 63 | -- | 16 | 40 | 10 | 40 | 32 | 63 | 80 | 22 | 1.00 | 20000 |
| PSC6 | 1 | PSC6-391.05C-22025M | 63 | -- | 22 | 25 | 25 | -- | 63 | -- | 80 | 45 | 0.96 | 16000 |
| PSC6 | 2 | PSC6-391.05C-22080 | 63 | -- | 22 | 80 | 40 | 80 | 40 | 63 | 80 | 45 | 1.40 | 16000 |
| PSC6 | 1 | PSC6-391.05C-27025M | 63 | -- | 27 | 25 | 25 | -- | 63 | -- | 80 | 80 | 1.01 | 17000 |
| PSC6 | 2 | PSC6-391.05C-27080 | 63 | -- | 27 | 80 | 55 | 80 | 50 | 63 | 80 | 80 | 1.60 | 17000 |
| PSC6 | 1 | PSC6-391.05C-32025M | 63 | -- | 32 | 25 | 25 | -- | 65 | -- | 80 | 180 | 1.09 | 16000 |
| PSC6 | 1 | PSC6-391.05C-40050M | 63 | 66.7 | 40 | 50 | 50 | -- | 87 | -- | 80 | 300 | 2.40 | 17000 |
| PSC8 | 2 | PSC8-391.05C-16050 | 80 | -- | 16 | 50 | 10 | 50 | 32 | 80 | 80 | 22 | 2.10 | 14000 |
| PSC8 | 1 | PSC8-391.05C-22030M | 80 | -- | 22 | 30 | 30 | -- | 80 | -- | 80 | 45 | 1.86 | 14000 |
| PSC8 | 2 | PSC8-391.05C-22090 | 80 | -- | 22 | 90 | 45 | 90 | 40 | 80 | 80 | 45 | 2.40 | 14000 |
| PSC8 | 1 | PSC8-391.05C-27030M | 80 | -- | 27 | 30 | 30 | -- | 80 | -- | 80 | 80 | 1.91 | 14000 |
| PSC8 | 2 | PSC8-391.05C-27090 | 80 | -- | 27 | 90 | 50 | 90 | 50 | 80 | 80 | 80 | 2.70 | 14000 |
| PSC8 | 1 | PSC8-391.05C-32030M | 80 | -- | 32 | 30 | 30 | -- | 80 | -- | 80 | 180 | 2.02 | 14000 |
| PSC8 | 1 | PSC8-391.05C-40060M | 80 | 66.7 | 40 | 60 | 60 | -- | 87 | -- | 80 | 300 | 3.47 | 14000 |
| PSC10 | 2 | PSC10-391.05C-27075 | 100 | -- | 27 | 75 | 29 | 75 | 60 | 100 | 80 | 80 | 4.52 | 10000 |
| PSC10 | 2 | PSC10-391.05C-32075 | 100 | -- | 32 | 75 | 33 | 75 | 78 | 100 | 80 | 180 | 5.04 | 10000 |
| PSC10 | 1 | PSC10-391.05C-40040M | 100 | 66.7 | 40 | 40 | 40 | -- | 100 | -- | 80 | 300 | 3.95 | 10000 |

102

PSC 接纳器 PSC Clamping Units

Manual clamping unit



产品信息 Specification

| CZCms | Capto | Ordering Code | DCONws | B | H | LPR | LF | WF | OAW | OAH | BAR | NM | KG |
|----------|-------|----------------------|--------|-----|-----|-----|----|----|-----|-----|-----|-----|------|
| 73 x 54 | PSC3 | PSC3-R/LC2090-19039M | 32 | 73 | 54 | 38 | 19 | 39 | 73 | 54 | 80 | 35 | 1.1 |
| 86x77 | PSC4 | PSC4-R/LC2090-24043A | 40 | 86 | 77 | 48 | 24 | 43 | 86 | 77 | 80 | 50 | 2.2 |
| 100x92 | PSC5 | PSC5-R/LC2090-32048A | 50 | 100 | 92 | 64 | 32 | 48 | 100 | 92 | 80 | 70 | 3.7 |
| 122 x105 | PSC6 | PSC6-R/LC2090-42060 | 63 | 122 | 105 | 84 | 42 | 60 | 122 | 105 | 80 | 90 | 7.0 |
| 146 x133 | PSC8 | PSC8-R/LC2090-50088 | 80 | 146 | 133 | 100 | 50 | 88 | 146 | 133 | 80 | 130 | 13.3 |

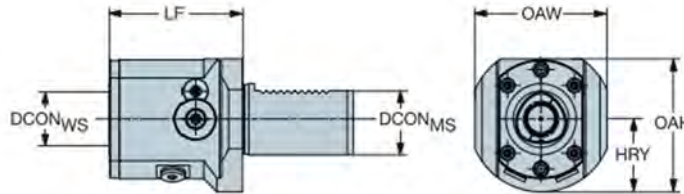
103

Hi-Tech Cutting Tool Co., Ltd.

Tel: +86 769 8150 2920 Fax: +86 769 81502952 Email: shirleypeng@htcuttingtool.com Web: www.htcuttingtool.com
 Add: No. 8, West 1st District, Shihe Road, Shilongkeng Village, Liaobu Town, Dongguan City, China

PSC 接纳器 PSC Clamping Units

VDI to Capto clamping unit, machine side interface VDI according to DIN 69880



产品信息 Specification

| CZCms | Capto | Ordering Code | DCONms | DCONws | LF | OAW | OAH | HRY | BAR | NM | KG |
|-------|-------|----------------------|--------|--------|----|-----|-----|-----|-----|----|-----|
| 30 | PSC3 | PSC3-R/LC2030-00060M | 30 | 32 | 60 | 50 | 61 | 34 | 80 | 35 | 1.4 |
| 40 | PSC4 | PSC4-R/LC2040-00075M | 40 | 40 | 75 | 75 | 75 | 41 | 80 | 50 | 2.4 |
| 40 | PSC5 | PSC5-R/LC2040-00085M | 40 | 50 | 85 | 75 | 82 | 41 | 80 | 70 | 3.5 |
| 50 | PSC4 | PSC4-R/LC2050-00065M | 50 | 40 | 65 | 70 | 83 | 49 | 80 | 50 | 2.8 |
| 50 | PSC5 | PSC5-R/LC2050-00085M | 50 | 50 | 85 | 83 | 90 | 49 | 80 | 70 | 4.5 |
| 60 | PSC5 | PSC5-R/LC2060-00075M | 60 | 50 | 75 | 80 | 100 | 58 | 80 | 70 | 5.7 |
| 60 | PSC6 | PSC6-R/LC2060-00095 | 60 | 63 | 95 | 84 | 111 | 58 | 80 | 90 | 7.4 |

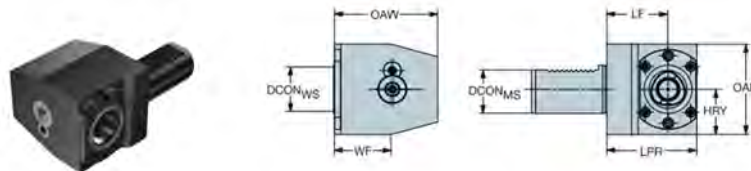
104

Hi-Tech Cutting Tool Co., Ltd.

Tel: +86 769 8150 2920 Fax: +86 769 81502952 Email: shirleypeng@htcuttingtool.com Web: www.htcuttingtool.com
 Add: No. 8, West 1st District, Shihe Road, Shilongkeng Village, Liaobu Town, Dongguan City, China

PSC 接纳器 PSC Clamping Units

VDI to Capto clamping unit, machine side interface VDI according to DIN 69880



产品信息 Specification

| CZCms | Capto | Ordering Code | DCONms | DCONws | LPR | LF | WF | OAW | OAH | HTB | HRY | BAR | NM | KG |
|-------|-------|----------------------|--------|--------|-----|----|----|-----|-----|-----|-----|-----|----|-----|
| 30 | PSC3 | PSC3-R/LC2030-41020M | 30 | 32 | 60 | 41 | 20 | 74 | 57 | 38 | 30 | 80 | 35 | 2.2 |
| 30 | PSC3 | PSC3-R/LC2030-41030M | 30 | 32 | 60 | 41 | 30 | 74 | 57 | 41 | 30 | 80 | 35 | 2.2 |
| 40 | PSC4 | PSC4-R/LC2040-51030M | 40 | 40 | 75 | 51 | 30 | 86 | 75 | 54 | 38 | 80 | 50 | 3.9 |
| 40 | PSC4 | PSC4-R/LC2040-51040M | 40 | 40 | 75 | 51 | 40 | 86 | 75 | 60 | 38 | 80 | 50 | 4.2 |
| 40 | PSC5 | PSC5-R/LC2040-53030M | 40 | 50 | 85 | 53 | 30 | 99 | 82 | 47 | 41 | 80 | 70 | 4.8 |
| 40 | PSC5 | PSC5-R/LC2040-53040M | 40 | 50 | 85 | 53 | 40 | 99 | 82 | 53 | 41 | 80 | 70 | 5.1 |
| 50 | PSC5 | PSC5-R/LC2050-53030M | 50 | 50 | 85 | 53 | 30 | 99 | 86 | 59 | 43 | 80 | 70 | 6.3 |
| 50 | PSC5 | PSC5-R/LC2050-53040M | 50 | 50 | 85 | 53 | 40 | 99 | 86 | 65 | 43 | 80 | 70 | 6.5 |
| 60 | PSC5 | PSC5-R/LC2060-43040M | 60 | 50 | 75 | 43 | 40 | 99 | 94 | 76 | 53 | 80 | 70 | 7.3 |
| 60 | PSC6 | PSC6-R/LC2060-53040 | 60 | 63 | 95 | 53 | 40 | 122 | 105 | 70 | 53 | 80 | 90 | 9.8 |

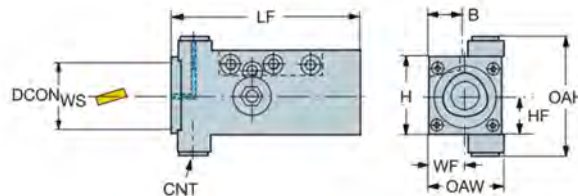
105

Hi-Tech Cutting Tool Co., Ltd.

Tel: +86 769 8150 2920 Fax: +86 769 81502952 Email: shirleypeng@htcuttingtool.com Web: www.htcuttingtool.com
 Add: No. 8, West 1st District, Shihe Road, Shilongkeng Village, Liaobu Town, Dongguan City, China

PSC 接纳器 PSC Clamping Units

Rectangular shank to Capto clamping unit



产品信息 Specification

| CZCms | Capto | Ordering Code | DCONws | B | H | LF | WF | HF | OAW | OAH | CNT | BAR | NM | KG |
|--------|-------|-------------------|--------|----|----|-----|----|----|-----|-----|---------|-----|----|-----|
| 40x20 | C3 | C3-R/LC2085-4038M | 32 | 20 | 40 | 95 | 19 | 20 | 38 | 62 | G1/8-28 | 80 | 35 | 1.3 |
| 50x25 | C4 | C4-R/LC2085-5048 | 40 | 25 | 50 | 125 | 24 | 25 | 48 | 58 | G1/8-28 | 80 | 50 | 2.3 |
| 64x 32 | C5 | C5-R/LC2085-6464 | 50 | 32 | 64 | 146 | 32 | 32 | 64 | 72 | G1/8-28 | 80 | 70 | 4.4 |

106

Hi-Tech Cutting Tool Co., Ltd.

Tel: +86 769 8150 2920 Fax: +86 769 81502952 Email: shirleypeng@htcuttingtool.com Web: www.htcuttingtool.com
 Add: No. 8, West 1st District, Shihe Road, Shilongkeng Village, Liaobu Town, Dongguan City, China



Your Professional Cutting Partner!

Hi-Tech Cutting Tool Co., Ltd.

*Tel: +86 769 8150 2920 Fax: +86 769 81502952 Email: shirleypeng@htcuttingtool.com Web: www.htcuttingtool.com
Add: No. 8, West 1st District, Shihe Road, Shilongkeng Village, Liaobu Town, Dongguan City, China*