



*vacuum & pressure*

# REGENERATIVE BLOWERS

Republic Manufacturing services the industrial manufacturing industry by providing high quality solutions utilizing air movement technologies. Committed to quality and innovation, the company is progressive and energetic in its search for unique solutions to challenging problems. Republic strives to be market leaders in the air movement technology industry, and generates an annual profit to be reinvested for growth and to provide competitive salaries and benefits for employees.

The company expects its employees to work hard and wear many hats, but in return offers a fun, energetic, and happy workplace. The company's culture is built around upholding 27 Core Value Essentials; which are actions based on 5 core values:

1. Value, Respect, and Recognize the Customer
2. Continuous Learning, Change and Improvement
3. Respect for People
4. We Keep our Commitments.
5. Open and Honest Communication

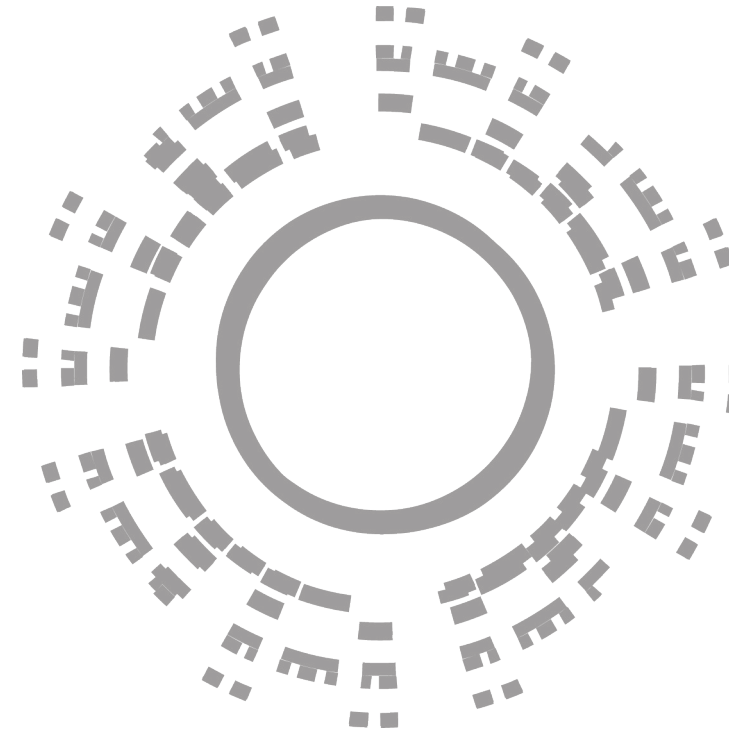
## REPUBLIC STANDARD WARRANTY

Republic Manufacturing warrants all finished Republic products to be free from functional defects in material and workmanship for a period of twelve (12) months from the date of installation, or no longer than eighteen (18) months from shipment.

Wear parts such as drive belts, filter elements, hoses and pulleys are not covered by the 12 to 18 month warranty.

DISASSEMBLY OF BLOWER MAY VOID WARRANTY.

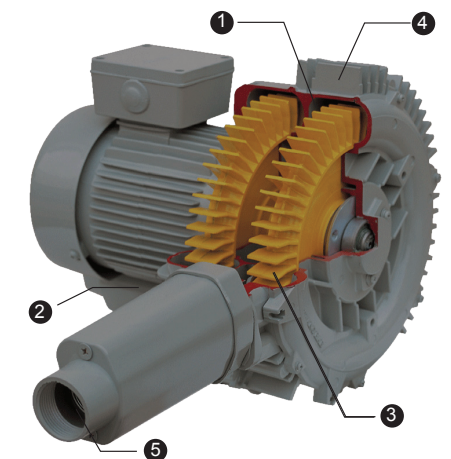
<b>Republic Mission Statement.....</b>	<b>2</b>
<b>Republic Standard Warranty.....</b>	<b>2</b>
<b>Regenerative Blower Working Principle.....</b>	<b>3</b>
<b>Performance Curves</b>	
<b>Single Phase</b>	
Vacuum 50 Hz.....	4
Vacuum 60 Hz.....	5
Pressure 50Hz.....	6
Pressure 60Hz.....	7
<b>Three Phase</b>	
Vacuum 50 Hz.....	8
Vacuum 60 Hz.....	10
Pressure 50Hz.....	12
Pressure 60Hz.....	14
<b>Performance Specifications.....</b>	<b>16</b>
<b>Dimensions.....</b>	<b>18</b>



## REGENERATIVE BLOWER WORKING PRINCIPLE

Air or gas is pulled into a side channel (1) through the air inlet (2) and is accelerated by an impeller (3) rotating inside the impeller chamber (4). The resulting pressurized air or gas is discharged through the exhaust outlet (5). This type of operation is also known as a ring blower design.

1. Side Channel
2. Air Inlet
3. Impeller
4. Impeller Chamber
5. Exhaust Outlet

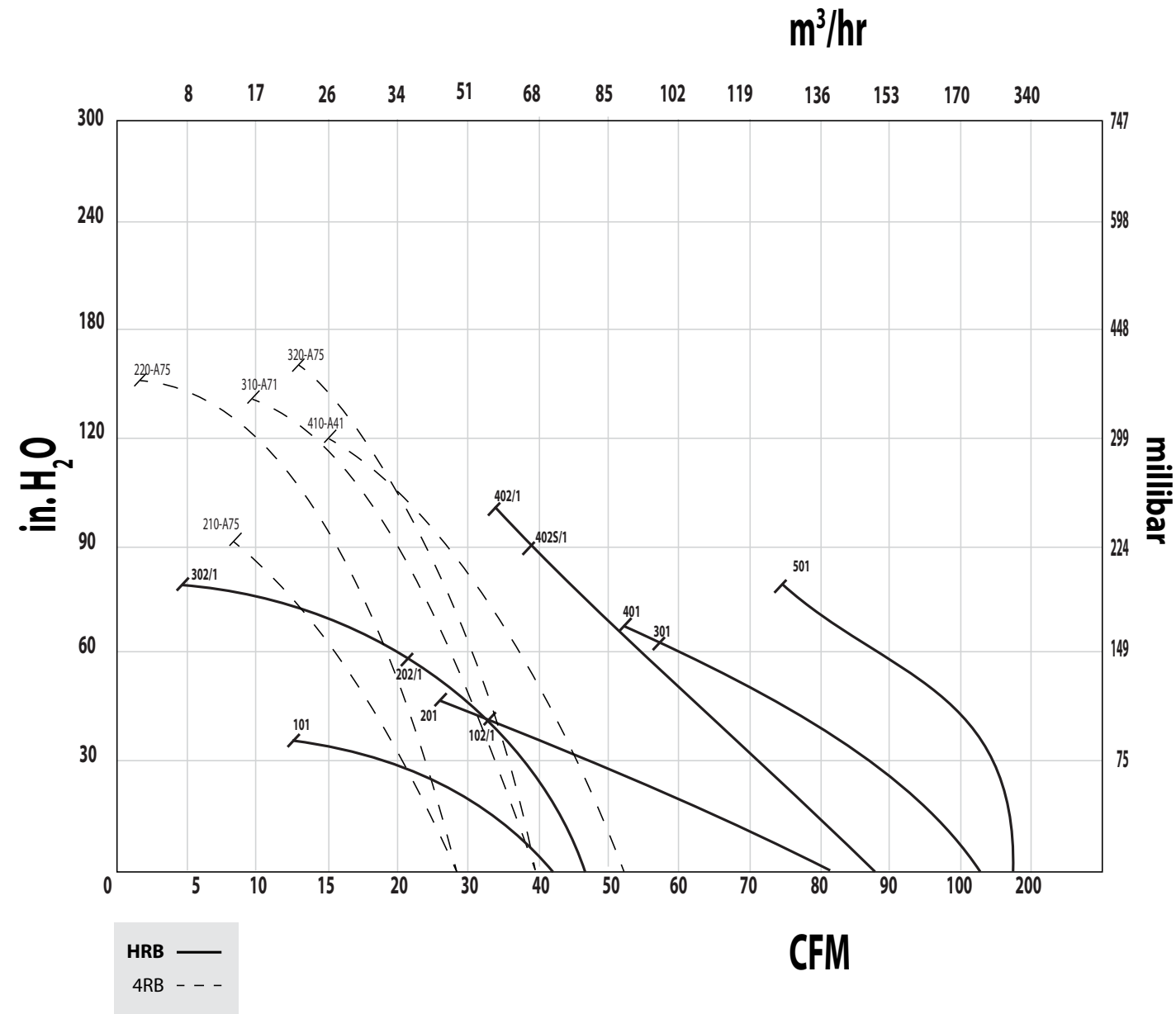


Call **800-847-0380**  
to consult a Republic representative.

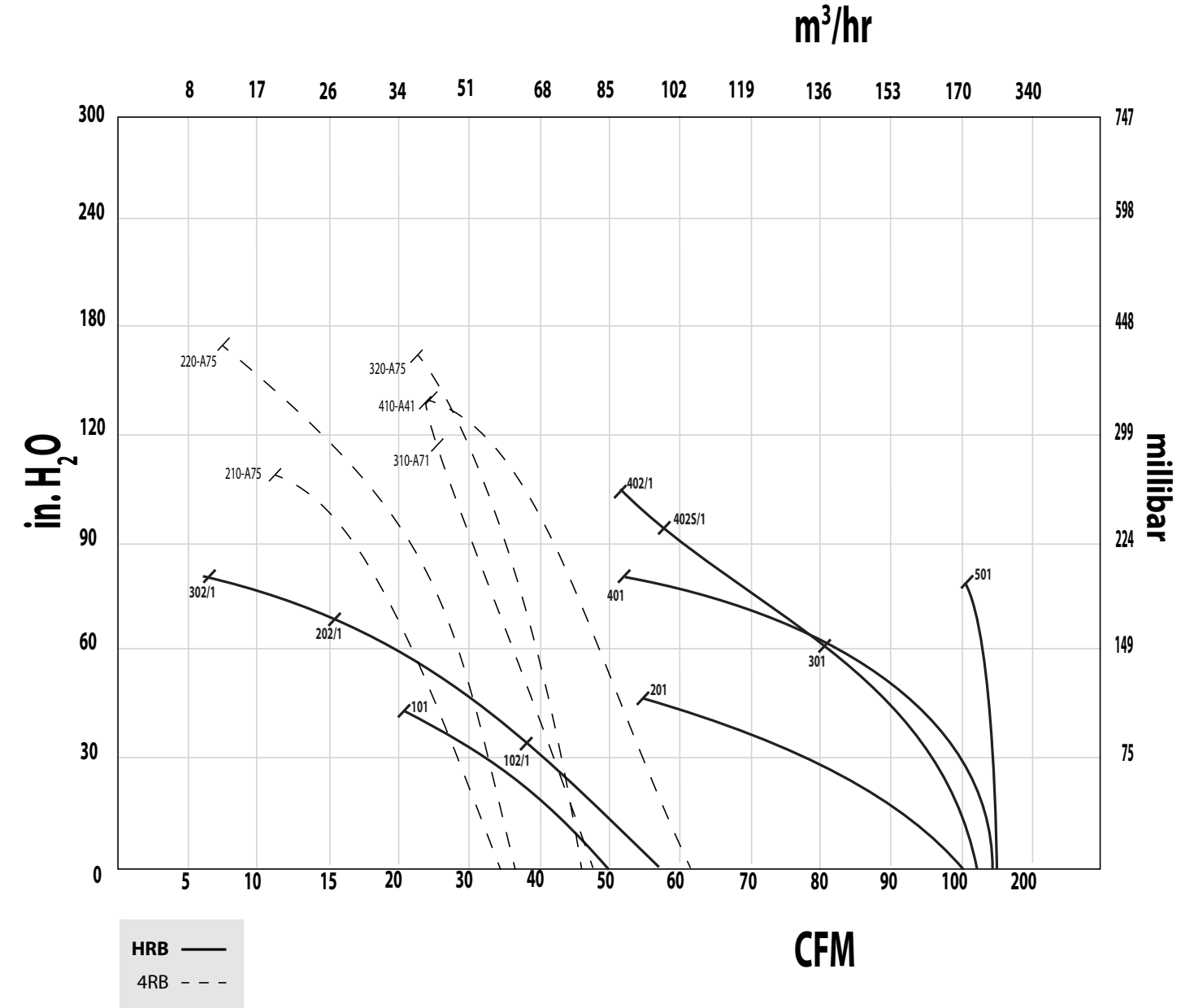
Visit **republic-mfg.com**



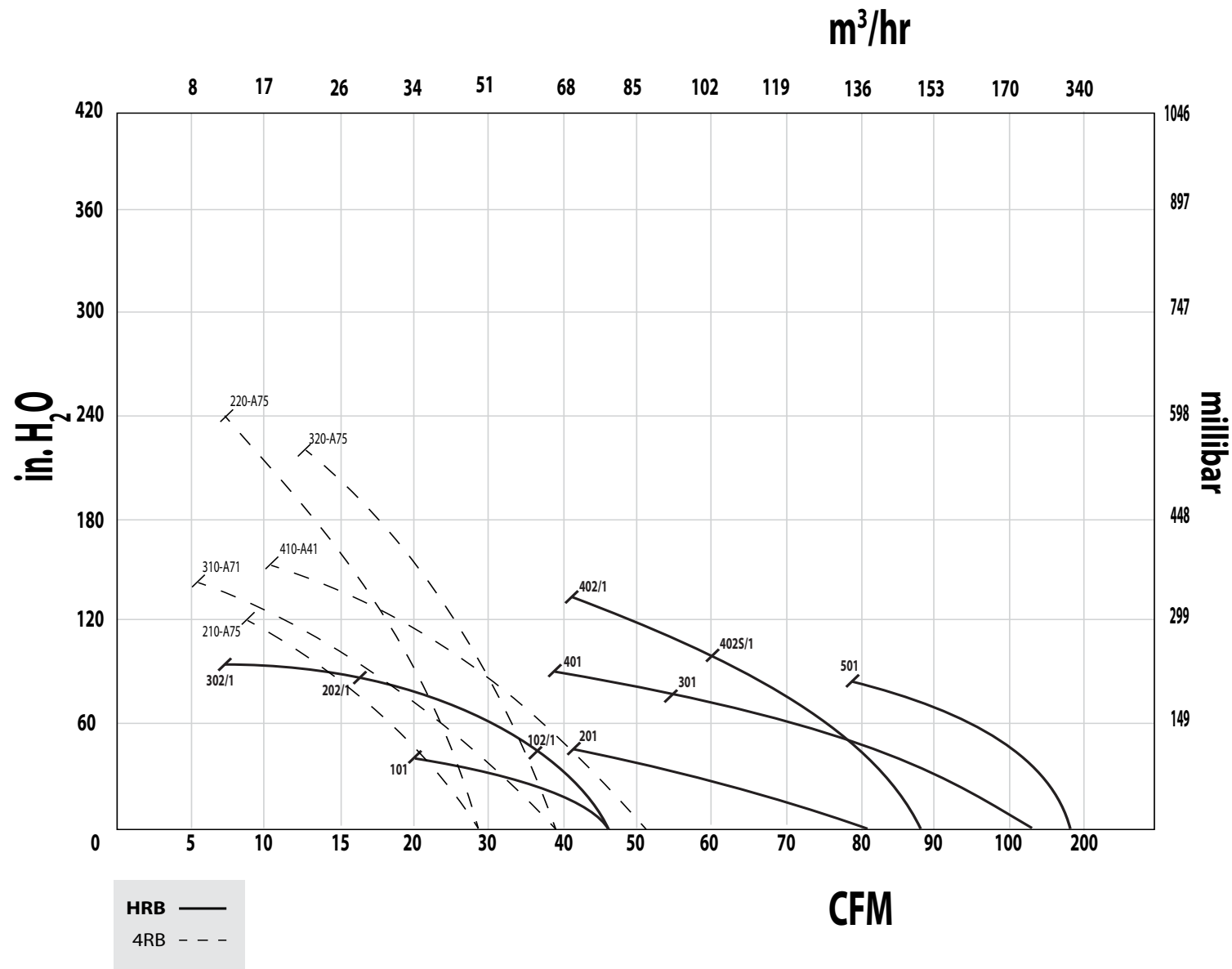
## 50Hz



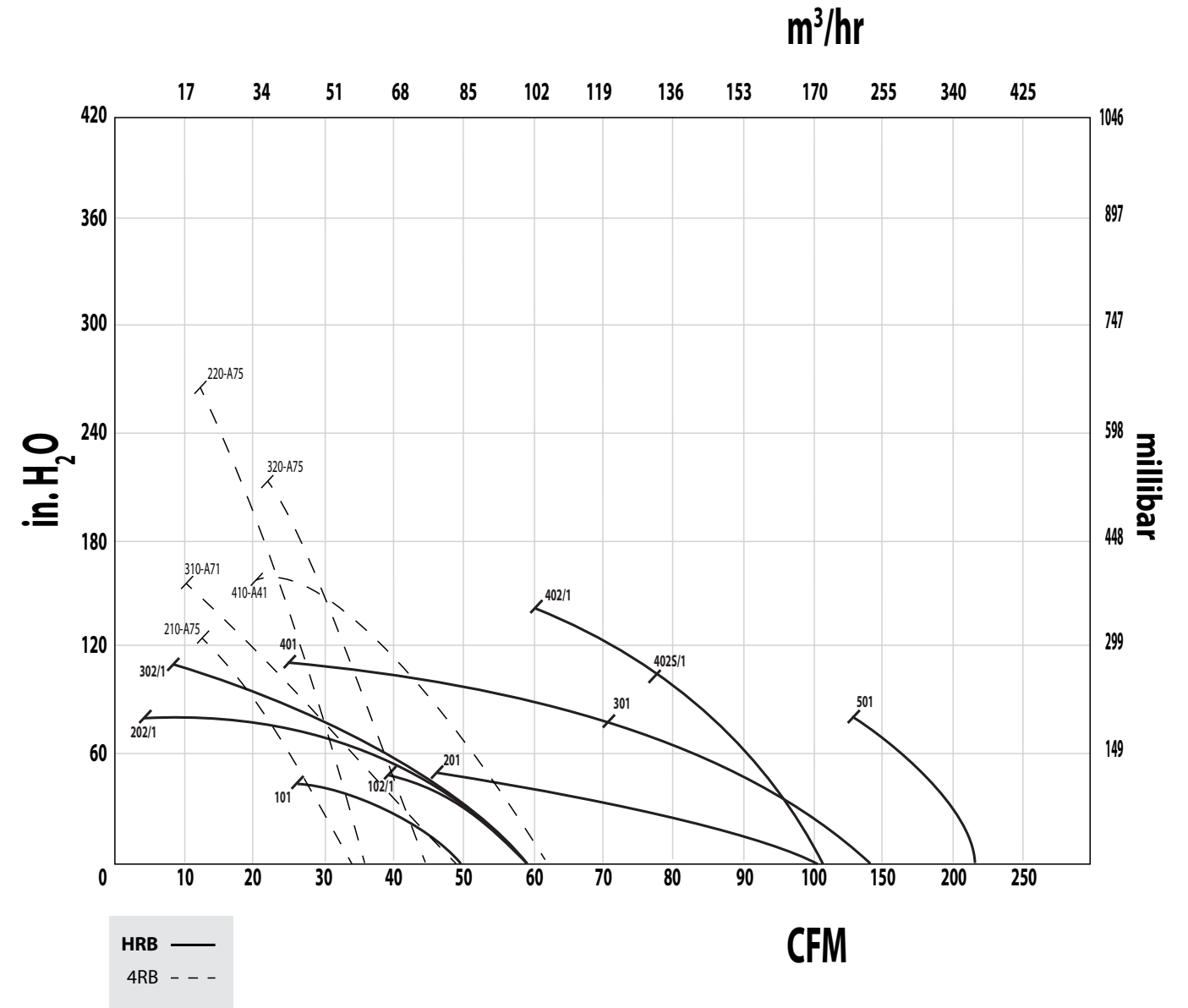
## 60Hz



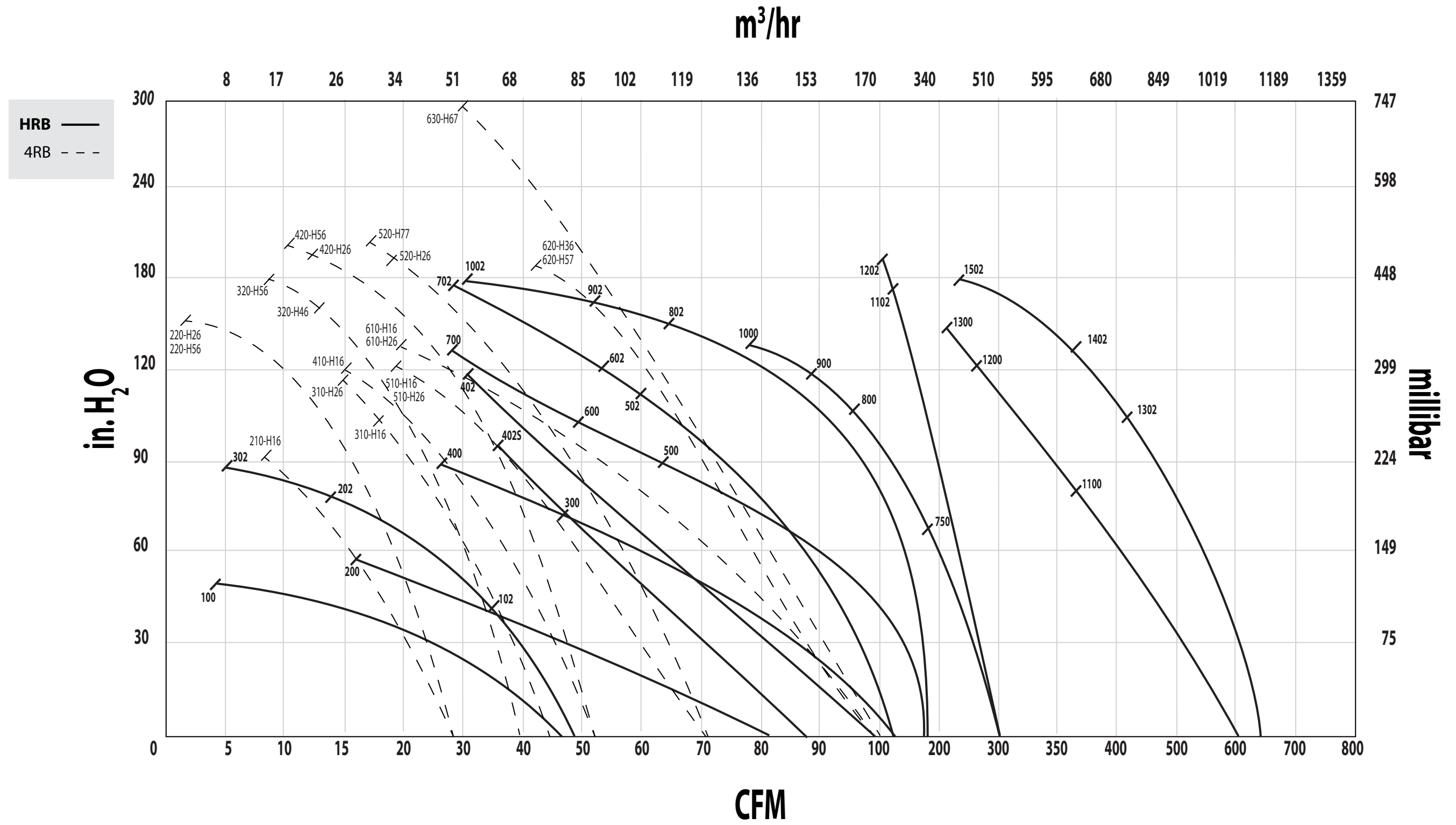
## 50Hz

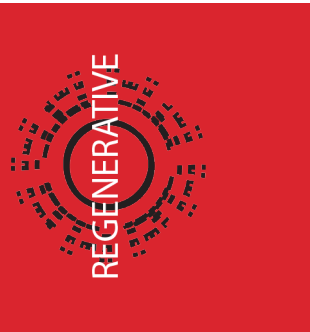
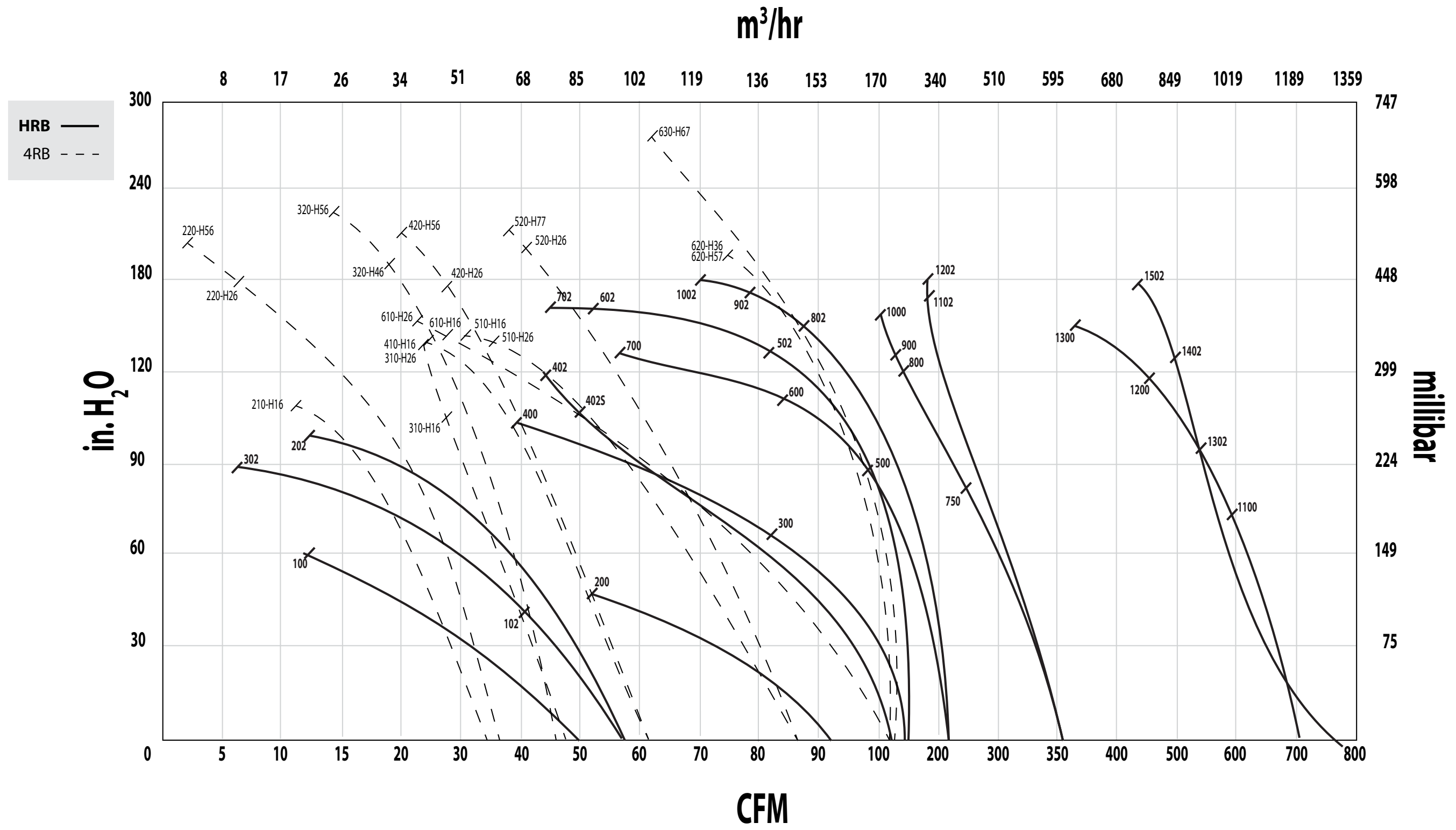


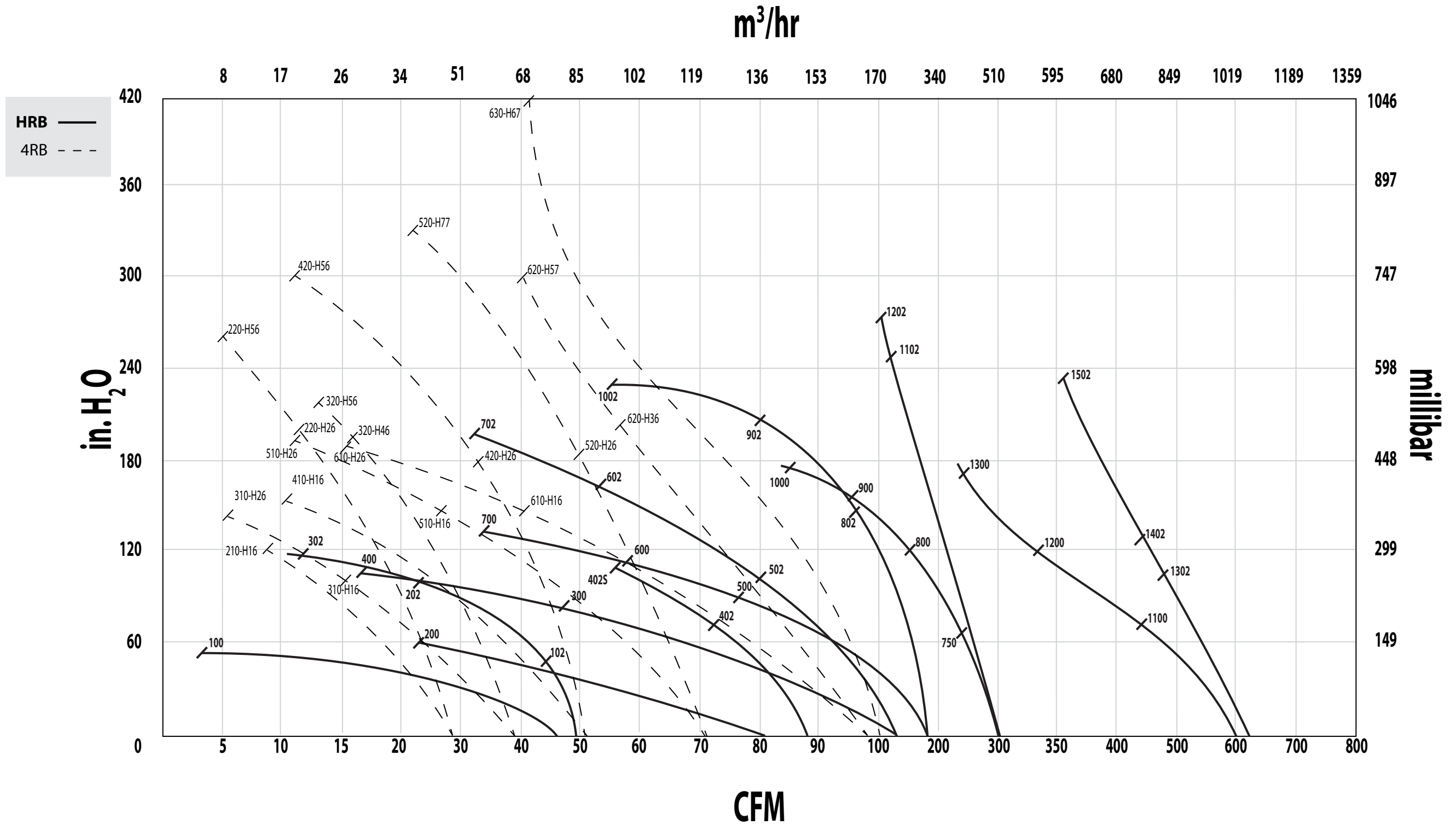
## 60Hz

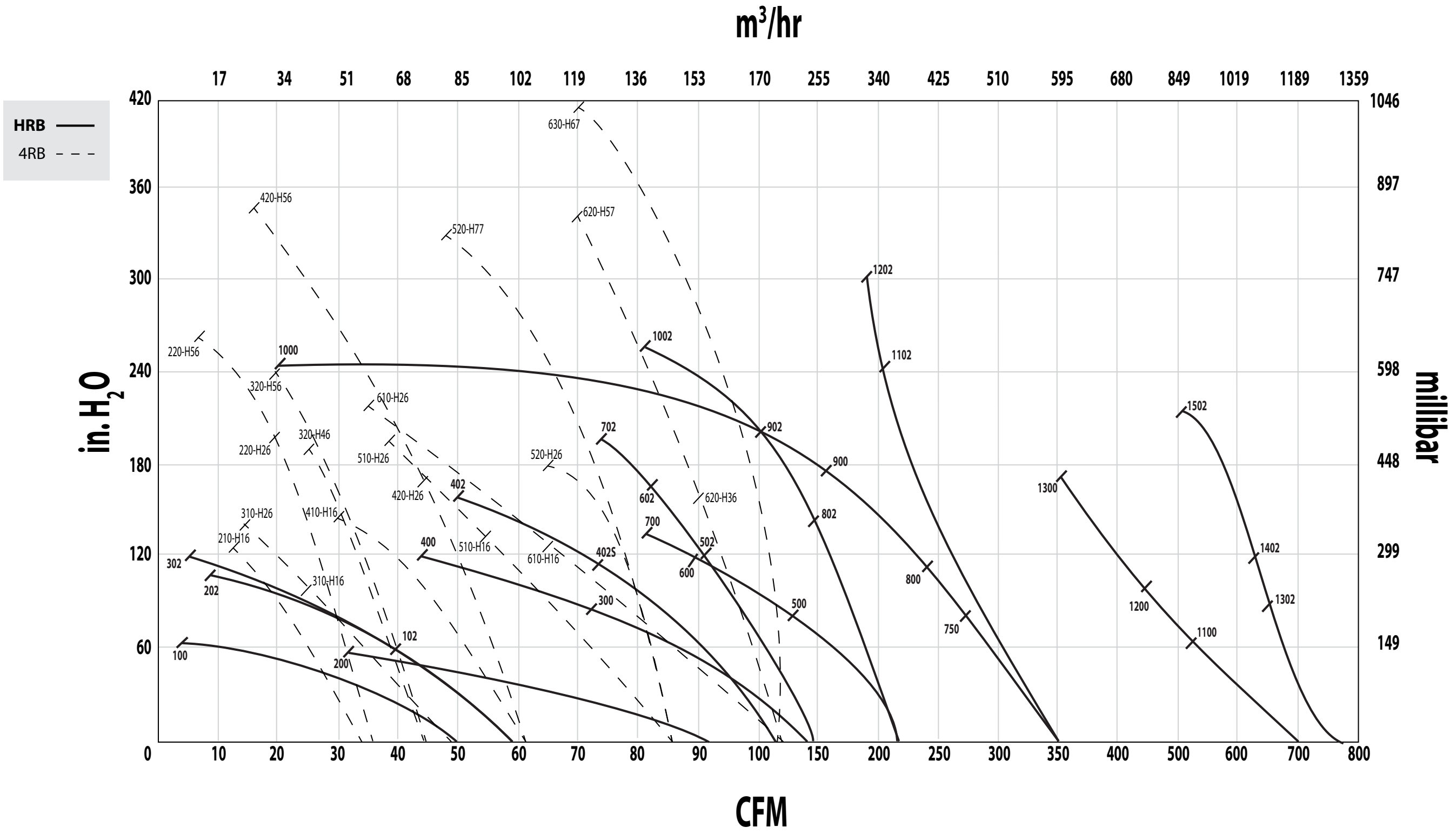














# PERFORMANCE SPECIFICATIONS

Three Phase

## Single Phase

Model	Stage	Motor (HP/kW)	Current (A)@220V	Current (A) @220V	Sound Level (dB)	Rated Pressure (in. H <sub>2</sub> O/mbar)		Rated Vacuum (in. H <sub>2</sub> O/mbar)		Air flow (CFM/m <sup>3</sup> /hr)		Weight (lb/kg)
						60 Hz	50 Hz	60 Hz	50 Hz	60 Hz	50 Hz	
HRB-101	1	0.7/0.5	6.6	3.2	64	47/117	39/97	40/100	39/97	49/83	42/71	23/11.5
HRB-201	1	1.1/0.8	10.9	5.4	66	47/117	47/117	44/110	47/117	102/173	81/138	31/15.5
HRB-301	1	2/1.5	21.3	11.8	75	71/177	71/177	63/157	63/157	141/240	113/192	50/25
HRB-401	1	3/2.2	30	15	75	110/274	87/217	79/197	71/177	141/240	113/192	78/39
HRB-501	1	3/2.2	31	15.5	76	83/207	83/207	79/197	79/197	212/360	177/301	82/41
4RB210-A75	1	0.8/0.6	@ 220-240V 7.1		62	128/319	116/289	108/269	92/229	33/56	28/48	40/20
4RB310-A71	1	1.5/1.1	@ 220-240V 9.0		62	156/388	140/349	112/279	140/349	47/80	39/66	40/20
4RB410-A41	1	1.7/1.3	@220-240V 10.3		62	156/388	152/349	140/349	120/299	62/105	51/87	51/26

Model	Stage	Motor (HP/kW)	Current (A)@220V	Current (A) @440V	Sound Level (dB)	Rated Pressure (in. H <sub>2</sub> O/mbar)		Rated Vacuum (in. H <sub>2</sub> O/mbar)		Air flow (CFM/m <sup>3</sup> /hr)		Weight (lb/kg)
						60 Hz	50 Hz	60 Hz	50 Hz	60 Hz	50 Hz	
HRB-102/1	2	0.5/0.4	9.0	4.5	68	47/117	47/117	39/97	39/97	58/99	46/78	40/20
HRB-202/1	2	1.2/0.9	9.3	4.3	68	83/207	80/199	67/167	56/139	58/99	46/78	37/19
HRB-302/1	2	1.5/1.1	14.0	7.0	68	98/244	94/234	79/197	79/197	58/99	46/78	51/26
HRB-402S/1	2	2/1.5	23.0	11.5	75	98/244	98/244	94/234	90/224	113/192	83/141	82/41
HRB-402/1	2	3/2.2	30.0	15.0	75	138/344	138/344	102/254	98/244	113/192	83/141	87/44
4RB220-A75	2	2.3/1.7	@200-240V 10.3		62	265/260	241/600	168/418	148/369	35/60	28/48	67/34
4RB320-A75	2	2.34/1.7	@200-240V 10.3		63	217/540	221/550	156/388	160/398	45/77	38/65	71/36

## Three Phase

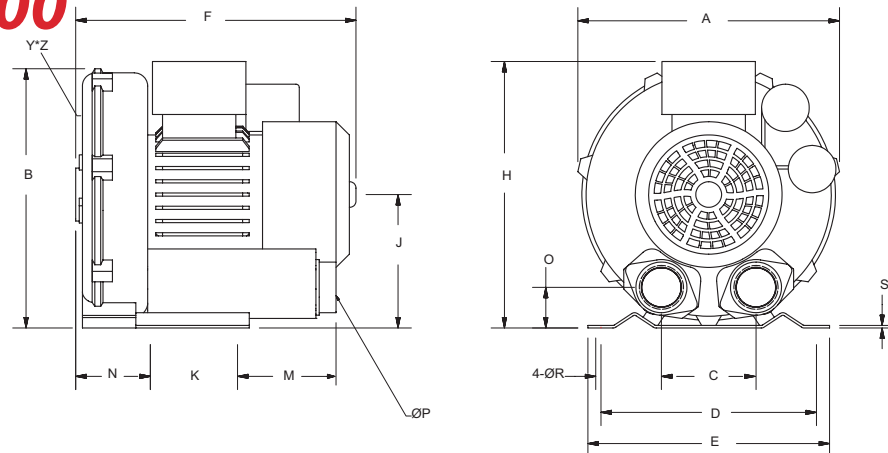
Model	Stage	Motor (HP/kW)	Current (A)@220V	Current (A) @440V	Sound Level (dB)	Rated Pressure (in. H <sub>2</sub> O/mbar)		Rated Vacuum (in. H <sub>2</sub> O/mbar)		Air flow (CFM/m <sup>3</sup> /hr)		Weight (lb/kg)
						60 Hz	50 Hz	60 Hz	50 Hz	60 Hz	50 Hz	
HRB-100	1	0.7/0.5	2.6	1.5	64	64/159	52/129	60/149	48/120	49/83	46/78	22/11
HRB-200	1	1.1/0.8	3.8	2.1	66	51/127	55/137	47/117	55/137	91/155	81/138	30/15
HRB-300	1	2.8/2.1	7.5	4.4	75	79/197	79/197	67/167	71/177	141/240	113/192	49/25
HRB-400	1	3.4/2.5	9.5	5.7	75	118/294	106/264	102/254	87/217	141/240	113/192	55/28
HRB-500	1	3.4/2.5	10.5	4.0	76	83/207	87/217	87/217	90/224	212/360	177/301	68/34
HRB-600	1	4.6/3.4	14.3	7.7	78	118/294	110/274	110/274	102/254	212/360	177/301	77/39
HRB-700	1	6.2/4.6	15.3	8.6	78	134/334	130/324	130/324	126/314	212/360	177/301	85/43
HRB-750	1	6.5/4.8	19.5	10.3	78	80/199	65/162	80/199	67/167	353/600	297/505	120/60
HRB-800	1	8.5/6.3	22.9	14.2	78	110/274	118/294	122/304	106/264	353/600	297/505	143/72
HRB-900	1	11.5/8.6	32.2	16.7	78	177/441	157/391	138/344	118/294	353/600	297/505	150/75
HRB-1000	1	15/11.2	40.0	20.0	78	248/618	173/431	158/393	138/344	353/600	297/505	366/183
HRB-1100	1	15/11.2	48.9	26.8	82	67/167	83/207	71/177	79/197	706/1200	600/1020	434/217
HRB-1200	1	20/15	59.7	32.2	82	106/264	118/294	114/284	122/304	706/1200	600/1020	476/238
HRB-1300	1	30/22	71.4	39.8	82	169/421	177/441	150/374	142/354	706/1200	600/1020	505/253

Model	Stage	Motor (HP/kW)	Current (A)@220V	Current (A) @440V	Sound Level (dB)	Rated Pressure (in. H <sub>2</sub> O/mbar)		Rated Vacuum (in. H <sub>2</sub> O/mbar)		Air flow (CFM/m <sup>3</sup> /hr)		Weight (lb/kg)
						60 Hz	50 Hz	60 Hz	50 Hz	60 Hz	50 Hz	
4RB210-H16	1	0.8/0.6	3.0	1.7	62	128/319	116/289	108/269	92/229	33/56	28/48	36/18
4RB310-H16	1	0.6/0.5	3.0	1.7	62	100/249	100/249	104/259	100/249	47/80	39/66	36/18
4RB310-H26	1	1.3/0.9	4.0	2.3	62	144/359	140/349	136/339	112/279	47/80	39/66	36/18
4RB410-H16	1	1.7/1.3	5.4	3.1	62	148/369	152/378	136/339	120/299	62/105	51/87	51/26
4RB510-H16	1	2.3/1.7	7.6	4.4	68	128/319	144/359	136/339	124/309	85/145	71/121	58/29
4RB510-H26	1	3.4/2.5	11.4	6.6	68	192/478	188/468	144/359	124/309	85/145	71/121	64/32
4RB610-H16	1	3.4/2.5	11.4	6.6	71	126/314	144/359	144/359	136/339	115/196	97/165	71/36
4RB610-H26	1	5.1/3.8	14.2	8.2	71	213/530	192/478	152/378	136/339	115/196	97/165	78/39

Model	Stage	Motor (HP/kW)	Current (A)@220V	Current (A) @440V	Sound Level (dB)	Rated Pressure (in. H <sub>2</sub> O/mbar)		Rated Vacuum (in. H <sub>2</sub> O/mbar)		Air flow (CFM/m <sup>3</sup> /hr)		Weight (lb/kg)
						60 Hz	50 Hz	60 Hz	50 Hz	60 Hz	50 Hz	
HRB-102	2	0.7/0.5	2.4	1.2	68	59/147	47/117	39/97	39/97	58/99	49/83	34/17
HRB-202	2	1.1/0.8	3.7	2.2	75	101/251	98/244	101/251	80/199	58/99	49/83	33/17
HRB-302	2	2/1.5	5.9	3.1	68	118/294	118/294	87/217	87/217	58/99	49/83	43/21.5
HRB-402S	2	2.8/2	6.8	4.2	75	110/274	100/249	110/274	96/239	113/192	88/150	55/28
HRB-402	2	3.5/2.6	8.9	5.4	71	158/393	71/177	113/281	118/294	113/192	88/150	61/31
HRB-502	2	3.5/2.6	10.8	6.9	78	118/294	78/194	145/361	110/274	145/247	120/204	78/39
HRB-602	2	4.6/3.4	13.6	7.3	78	165/411	158/393	161/401	118/294	145/247	120/204	84/42
HRB-702	2	6.2/4.6	16.3	10.0	90	197/491	197/491	169/421	169/421	145/247	120/204	94/47
HRB-802	2	6.5/4.8	19.6	9.9	80	138/344	138/344	150/374	150/374	215/367	184/313	130/65
HRB-902	2	8.5/6.3	22.6	12.4	80	197/491	197/491	170/423	170/423	215/367	184/313	172/86
HRB-1002	2	11.5/8.6	29	14.5	80	256/637	228/568	177/441	177/441	215/367	184/313	188/94
HRB-1102	2	16.9/12.6	51.2	27.0	82	256/637	256/637	170/423	170/423	353/600	297/505	274/137
HRB-1202	2	23.2/17.3	56.0	28.0	82	307/764	276/687	181/451	189/471	353/600	297/505	501/251
HRB-1302	2	20/14.9	54.0	27.0	88	87/217	98/244	98/244	106/264	777/1321	618/1051	618/309
HRB-1402	2	25/18.6	65.0	32.5	88	118/294	126/314	134/334	138/344	777/1321	618/1051	651/326
HRB-1502	2	35/26.1	90.1	48.3	88	217/540	237/590	177/441	177/441	777/1321	618/1051	684/342
4RB220-H26	2	1.3/0.9	4.0	2.3	62	192/478	196/488	176/438	148/369	35/60	28/48	53/27
4RB220-H56	2	2.3/1.7	7.5	4.3	62	297/740	261/650	200/498	148/369	35/60	28/48	62/31
4RB320-H46	2	1.7/1.3	5.4	3.1	63	192/478	192/478	192/478	160/398	45/77	38/65	64/32
4RB320-H56	2	2.3/1.7	7.6	4.4	63	241/600	217/540	225/560	176/438	45/77	38/65	67/34
4RB420-H26	2	2.3/1.7	7.6	4.4	66	164/408	180/448	172/428	192/478	62/104	51/87	73/37
4RB420-H56	2	5.1/3.8	13.8	8.0	66	341/849	301/749	205/510	200/498	62/104	51/87	86/43
4RB520-H26	2	3.4/2.5	11.4	6.6	70	180/448	184/458	200/498	188/468	85/145	71/121	89/45
4RB520-H77	2	6.2/4.6	@380-480V 9.5		71	325/809	329/819	213/530	200/498	85/145	71/121	113/57
4RB620-H36	2	5.1/3.8	14.2	8.2	71	168/418	200/498	192/478	184/458	115/196	97/165	106/53
4RB620-H57	2	8.8/6.6	@ 380-480V 12.0		72	337/839	297/740	192/478	184/458	115/196	97/165	144/72
4RB630-H67	3	11.5/8.6	16.0 A@380-480V		76	417/1038	417/1038	281/700	293/730	118/201	100/170	188/94

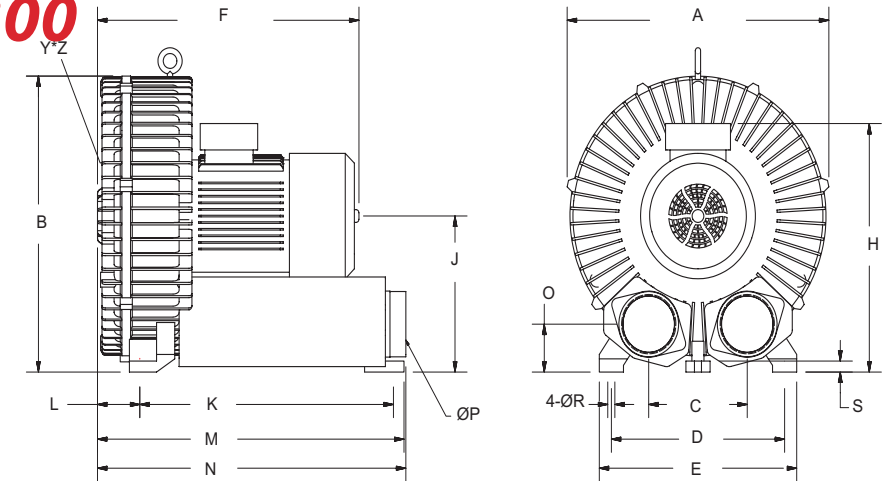
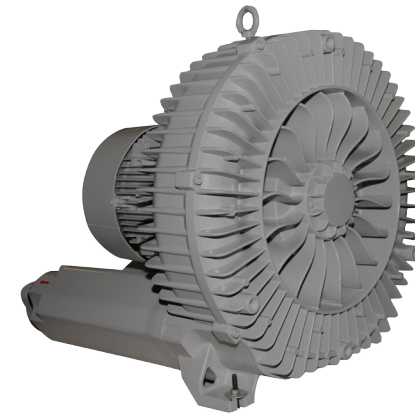
The electric motors used in these blowers are AC motor equipped with self-cooling fans and rated as "F" class with IP54 protection. The above specifications may be changed without notice for improved product performance.

## HRB-100 – 1000



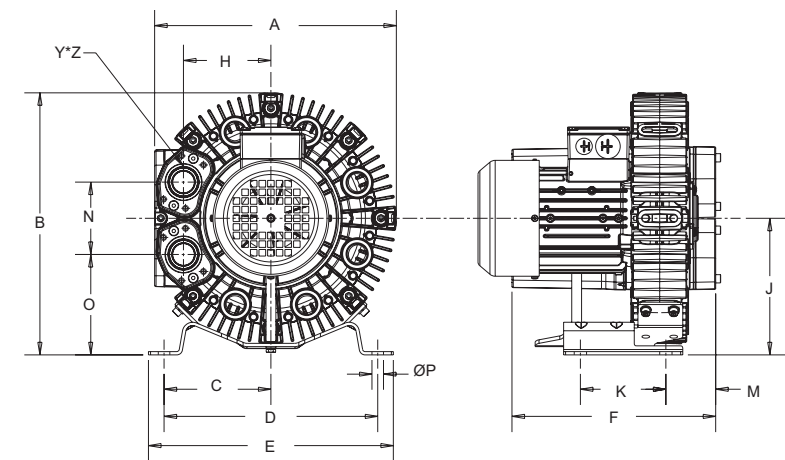
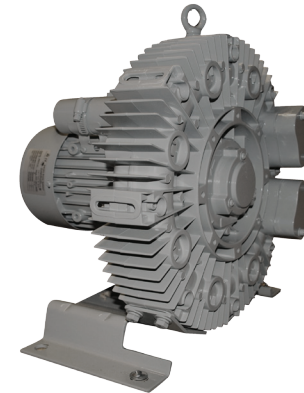
MODEL	unit	A	B	C	D	E	F	H	J	K	M	N	O	ØP	ØR	S	X	Y*Z
HRB-101	in	9.80	9.79	3.54	8.07	9.06	10.50	10.06	5.04	3.27	3.68	2.80	1.54	1.25	0.39	0.10	5.51	M6
	mm	249	249	90	205	230	267	255	128	83	93	71	39					
HRB-201	in	11.38	12.05	4.53	8.86	10.04	11.03	11.00	6.06	3.74	3.47	2.95	1.81	1.25	0.47	0.12	6.85	M6
	mm	289	306	115	225	255	280	279	154	95	88	75	46					
HRB-301	in	13.27	13.30	4.72	10.24	11.75	12.61	12.25	6.89	4.53	4.02	3.43	1.89	2.00	0.55	0.16	7.87	M8
	mm	337	338	120	260	298	320	311	175	115	102	87	48					
HRB-401	in	13.27	13.30	4.72	10.24	11.75	12.61	12.25	6.89	4.53	4.02	3.43	1.89	2.00	0.55	0.16	7.87	M8
	mm	337	338	120	260	298	320	311	175	115	102	87	48					
HRB-501	in	13.19	13.46	4.72	10.24	11.62	15.12	12.32	6.89	4.53	5.16	3.35	1.89	2.00	0.59	0.16	7.87	M8
	mm	335	342	120	260	295	384	313	175	115	131	85	48					
HRB-100	in	9.80	9.79	3.54	8.07	9.06	10.50	10.06	5.04	3.27	3.68	2.80	1.54	1.25	0.39	0.10	5.51	M6
	mm	249	249	90	205	230	267	255	128	83	93	71	39					
HRB-200	in	11.38	12.05	4.53	8.86	10.04	11.03	11.00	6.06	3.74	3.47	2.95	1.81	1.25	0.47	0.12	6.85	M6
	mm	289	306	115	225	255	280	279	154	95	88	75	46					
HRB-300	in	13.27	13.30	4.72	10.24	11.61	13.87	12.38	6.89	4.53	3.77	3.43	1.89	2.00	0.55	0.16	7.87	M8
	mm	337	338	120	260	295	352	314	175	115	96	87	48					
HRB-400	in	13.27	13.30	4.72	10.24	11.61	13.87	12.38	6.89	4.53	3.77	3.43	1.89	2.00	0.55	0.16	7.87	M8
	mm	337	338	120	260	295	352	314	175	115	96	87	48					
HRB-500	in	15.04	15.28	4.92	11.42	12.80	15.44	13.27	7.76	5.51	4.06	4.29	2.13	2.00	0.59	0.18	9.45	M8
	mm	382	388	125	290	325	392	337	197	140	103	109	54					
HRB-600	in	15.04	15.28	4.92	11.42	12.80	16.69	13.27	7.76	5.51	4.06	4.29	2.13	2.00	0.59	0.18	9.45	M8
	mm	382	388	125	290	325	424	337	197	140	103	109	54					
HRB-700	in	15.04	15.28	4.92	11.42	12.80	18.06	13.27	7.76	5.51	4.01	4.29	2.13	2.00	0.59	0.18	9.45	M8
	mm	382	388	125	290	325	459	337	197	140	102	109	54					
HRB-750	in	17.77	18.15	5.98	14.02	15.51	18.75	15.38	9.45	6.69	7.62	5.19	2.56	2.50	0.59	0.24	11.26	M8
	mm	451	461	152	356	394	476	391	240	170	193	132	65					
HRB-800	in	17.77	18.15	5.98	14.02	15.51	19.63	16.06	9.45	6.69	7.62	5.19	2.56	2.50	0.59	0.24	11.26	M8
	mm	451	461	152	356	394	499	408	240	170	193	132	65					
HRB-900	in	17.77	18.15	5.98	14.02	15.51	19.63	16.06	9.45	6.69	7.62	5.19	2.56	2.50	0.59	0.24	11.26	M8
	mm	451	461	152	356	394	499	408	240	170	193	132	65					
HRB-1000	in	17.36	18.11	5.98	14.02	15.51	22.70	N/A	9.43	6.69	5.5	4.65	2.54	2.50	0.59	.24	11.26	M8
	mm	441	460	152	356	394	576.6	N/A	239.5	170	139.7	118.2	64.5					

## HRB-1100 – 1300



MODEL	unit	A	B	C	D	E	F	H	J	K	L	M	N	O	ØP	ØR	S	X	Y*Z
HRB-1100	in	21.65	22.40	8.15	14.34	16.34	21.63	18.81	11.81	20.98	3.50	25.35	25.51	3.62	4.00	0.59	0.83	19.29	M12
	mm	550	569	207	364	415	549	478	300	533	89	644	648	92					
HRB-1200	in	21.65	22.40	8.15	14.34	16.34	24.43	20.38	11.81	20.98	3.50	25.35	25.51	3.62	4.00	0.59	0.83	19.29	M12
	mm	550	569	207	364	415	620	518	300	533	89	644	648	92					
HRB-1300	in	21.65	22.40	8.15	14.34	16.34	24.43	20.38	11.81	20.98	3.50	25.35	25.51	3.62	4.00	0.59	0.83	19.29	M12
	mm	550	569	207	364	415	620	518	300	533	89	644	648	92					

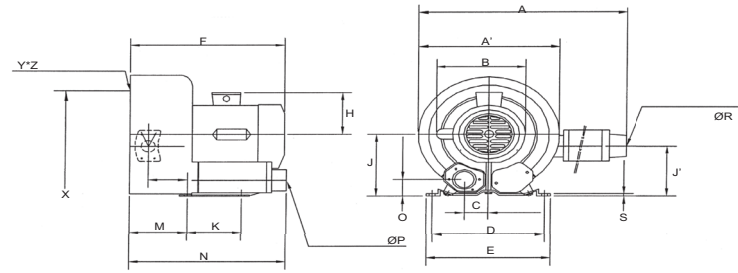
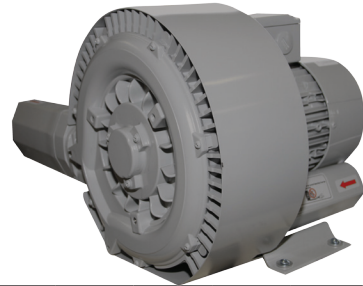
## 4RB210 – 610



MODEL	unit	A	B	C	D	E	F	H	J	K	M	N	O	ØP	Y*Z
4RB210	in	11.58	12.55	5.12	10.24	11.73	9.67	4.19	6.54	4.09	2.39	3.47	4.81	0.55	1.25
	mm	294	319	130	260	298	246	106	166	104	61	88	122		
4RB310	in	12.30	13.37	5.71	11.42	12.80	9.91	4.47	6.97	4.13	2.48	3.70	5.12	0.55	1.25
	mm	312	340	145	290	325	252	113	177	105	63	94	130		
4RB410	in	13.62	14.84	6.20	12.40	13.78	10.05	4.90	7.75	5.10	2.54	4.06	5.72	0.55	1.25
	mm	346	377	157	315	350	255	124	197	129	64	103	145		
4RB510	in	14.43	15.56	6.46	12.91	14.29	10.26	5.40	8.10	5.98	2.62	4.48	6.78	0.55	1.25
	mm	366	395	164	328	363	261	137	206	152	66	114	172		
4RB610	in	16.43	17.92	7.32	14.63	15.98	10.49	6.01	9.27	5.98	2.62	4.98	6.78	0.55	1.25
	mm	417	455	186	372	406	266	153	235	152	66	126	172		

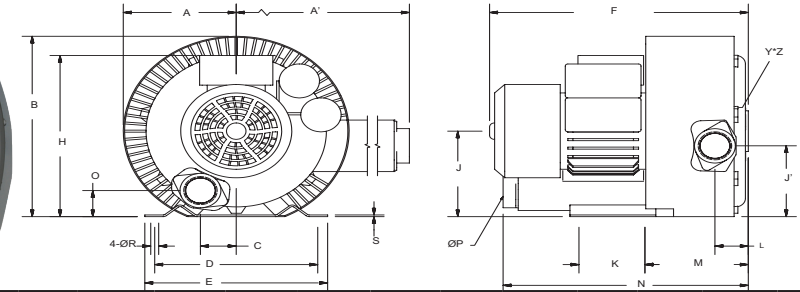
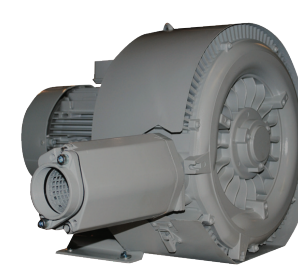


## HRB-102/1 – HRB-402S/1



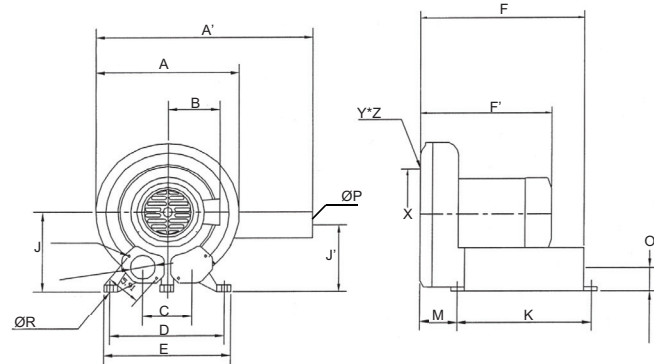
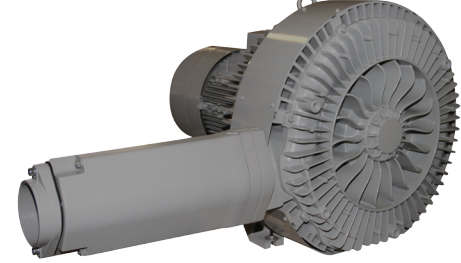
MODEL	unit	A	A'	B	C	D	E	F	H	J	J'	K	M	N	O	ØP	ØR	S	X	Y*Z
HRB-102/1	in	19.49	11.18	7.13	1.77	8.07	9.06	12.09	4.92	5.04	4.17	3.27	5.12	12.61	1.54	1.25	1.25	0.10	5.51	M6
	mm	495	284	181	45	205	230	307	125	128	106	83	130	320	39			2	140	
HRB-302/1	in	19.49	11.18	7.13	1.77	8.07	9.06	12.60	4.92	5.04	4.17	3.27	5.12	12.60	1.54	1.25	1.25	0.10	5.51	M6
	mm	495	284	181	45	205	230	320	125	128	106	83	130	320	39			2	140	
HRB-402/1	in	19.49	11.18	7.13	1.77	8.07	9.06	14.06	4.92	5.04	4.17	3.27	5.12	12.60	1.54	1.25	1.25	0.10	5.51	M6
	mm	495	284	181	45	205	230	357	125	128	106	83	130	320	39			2	140	
HRB-402S/1	in	20.39	12.64	9.13	2.26	8.86	10.04	17.87	5.43	6.06	6.06	3.74	5.71	13.66	1.81	1.50	1.50	0.10	6.85	M6
	mm	518	321	232	57	225	255	454	138	128	154	95	145	347	46			2	174	
HRB-102	in	20.39	12.64	9.13	2.26	8.86	10.04	17.87	5.43	6.06	6.06	3.74	5.71	13.66	1.81	1.50	1.50	0.10	6.85	M6
	mm	518	321	232	57	225	255	454	138	128	154	95	145	347	46			2	174	

## HRB-202/1 – 1502



MODEL	unit	A	A'	B	C	D	E	F	H	J	J'	K	L	M	N	O	ØP	ØR	S	X	Y*Z
HRB-202/1	in	5.59	13.19	10.63	1.77	8.07	9.06	12.81	9.50	5.04	4.17	3.27	1.65	5.12	12.14	1.54	1.25	0.39	0.10	5.51	M6
	mm	142	335	270	45	205	230	325	241	128	106	83	42	130	308	39			2	140	
HRB-202	in	5.59	13.19	10.63	1.77	8.07	9.06	12.81	9.50	5.04	4.17	3.27	1.65	5.12	12.14	1.54	1.25	0.39	0.10	5.51	M6
	mm	142	335	270	45	205	230	325	241	128	106	83	42	130	308	39			2	140	
HRB-302	in	5.65	13.38	11.03	1.91	8.08	9.06	14.44	10.25	5.38	4.20	3.27	1.75	5.37	12.63	1.44	1.25	0.39	0.12	6.30	M6
	mm	143	340	280	48	205	230	367	260	137	107	83	44	136	321	37			3	160	
HRB-402	in	6.33	13.51	12.40	2.28	8.86	10.04	16.31	11.13	6.06	6.02	3.74	1.85	5.94	13.31	1.77	1.50	0.47	0.12	6.85	M6
	mm	161	343	315	58	225	255	414	283	154	153	95	47	151	338	45			3	161	
HRB-402S	in	6.33	13.51	12.40	2.28	8.86	10.04	16.31	11.13	6.06	6.02	3.74	1.85	5.94	13.31	1.77	1.50	0.47	0.12	6.85	M6
	mm	161	343	315	58	225	255	414	283	154	153	95	47	151	338	45			3	161	
HRB-502	in	7.32	16.93	14.21	2.36	10.24	11.75	17.38	12.25	6.89	5.67	4.53	2.62	6.73	15.06	1.89	2.00	0.55	0.16	7.87	M6
	mm	186	430	361	60	260	298	441	311	175	144	115	66	171	382	48			4	187	
HRB-602	in	7.32	16.93	14.21	2.36	10.24	11.75	18.75	12.50	6.89	5.67	4.53	1.65	6.73	15.24	1.89	2.00	0.55	0.16	7.87	M6
	mm	186	430	361	60	260	298	476	317	175	144	115	42	171	387	48			4	187	
HRB-702	in	7.32	16.93	14.21	2.36	10.24	11.75	20.25	12.50	6.89	5.67	4.53	1.65	6.73	15.24	1.89	2.00	0.55	0.16	7.87	M6
	mm	186	430	361	60	260	298	514	317	175	144	115	42	171	387	48			4	187	
HRB-802	in	8.39	17.52	16.14	2.48	11.42	12.80	21.08	13.75	7.76	6.38	5.51	2.95	8.07	17.64	2.09	2.00	0.59	0.18	9.45	M6
	mm	213	445	410	63	290	325	535	349	197	162	140	75	205	448	53			5	240	
HRB-902	in	8.39	17.52	16.14	6.04	11.42	12.80	23.00	14.50	7.76	6.38	5.51	2.95	8.07	23.38	3.50	2.00	0.59	0.18	9.45	M6
	mm	213	445	410	153	290	325	584	368	197	162	140	75	205	594	89			5	240	
HRB-1002	in	8.37	17.77	15.52	2.42	11.42	12.80	22.83	15.40	7.76	6.58	5.51	3.19	8.27	18.07	2.01	2.00	0.59	0.18	9.45	M10
	mm	213	451	394	61	290	325	580	391	197	162	140	81	210	459	51			5	240	
HRB-1102	in	9.83	22.86	19.29	6.57	14.02	15.51	27.32	17.88	9.27	7.83	6.69	3.25	9.23	30.13	4.13	2.50	0.59	0.20	11.26	M8
	mm	250	581	490	167	356	394	694	454	235	199	170	82	234	765	105			5	286	
HRB-1202	in	9.83	22.86	19.29	6.57	14.02	15.51	27.32	17.88	9.27	7.83	6.69	3.25	9.23	30.13	4.13	2.50	0.59	0.20	11.26	M8
	mm	250	581	490	167	356	394	694	454	235	199	170	82	234	765	105			5	286	
HRB-1502	in	11.88	32.50	24.58	4.07	14.34	16.34	32.75	20.38	10.95	8.81	20.98	4.22	9.99	31.63	3.62	4.00	0.59	1.00	19.29	M12
	mm	302	825	624	103	364	415	832	518	278	224	533	107	254	803	92			25	490	

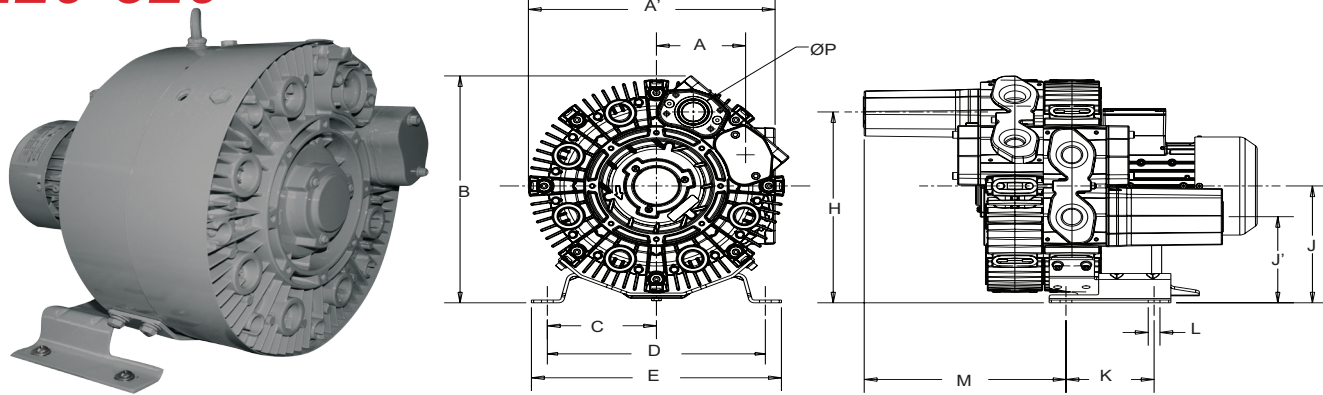
## HRB-1302 – 1402



MODEL	unit	A	A'	B	C	D	E	F	F'	J	J'	K	M	O	ØP	ØR	X	Y*Z
HRB-1302	in	21.65	42.13	10.04	8.35	14.17	16.33	33.07	27.36	11.81	9.65	24.02	9.45	3.58	4.00	0.59	19.29	M12
	mm	550	1070	255	212	360	415	840	695	300	245	610	240	91			490	
HRB-1402	in	21.65	42.13	10.04	8.35	14.17	16.33	33.07	29.33	11.81	9.65	24.02	9.45	3.58	4.00	0.59	19.29	M12
	mm	550	1070	255	212	360	415	840	745	300	245	610	240	91			490	



### 4RB220-620



MODEL	unit	A	A'	B	C	D	E	H	J	J'	K	L	M	ØP
4RB220	in	4.19	11.58	12.83	5.12	10.24	11.73	10.80	6.61	4.87	4.13	0.55	9.47	1.25
	mm	106	294	326	130	260	298	274	168	124	105	14	240	
4RB320	in	4.47	12.30	13.54	5.71	11.42	12.80	11.44	6.97	5.12	4.13	0.55	9.55	1.25
	mm	113	312	344	145	290	325	291	177	130	105	14	243	
4RB420	in	4.90	13.62	14.88	6.20	12.40	13.78	12.64	7.75	5.80	5.12	0.55	9.60	1.25
	mm	124	346	378	157	315	350	321	197	147	130	14	244	
4RB520	in	5.40	14.43	15.74	6.46	12.91	13.29	13.51	8.10	5.86	5.98	0.55	10.10	1.25
	mm	137	366	400	164	328	338	343	206	149	152	14	256	
4RB620	in	6.02	16.43	17.68	7.30	14.61	15.98	15.27	9.27	6.86	5.98	0.55	10.16	1.25
	mm	153	417	449	185	371	406	388	235	174	152	14	258	

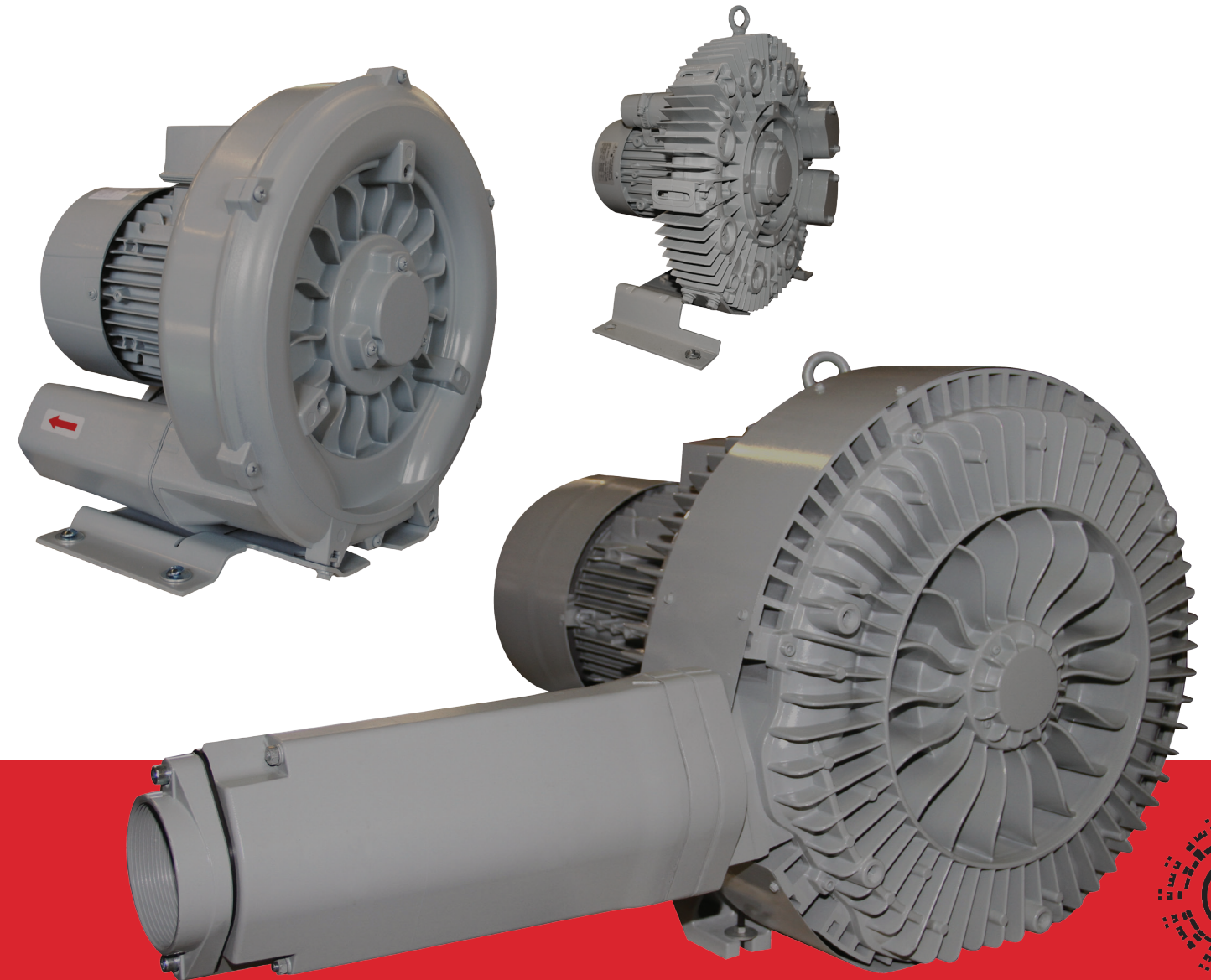
Republic Regenerative Blowers are available in single stage (one impeller), double stage (two impeller), or triple stage (three impeller) configurations. The impeller is directly connected to the motor shaft, providing powerful force without undue friction. The bearings are outside the compression chamber, ensuring maximum operational reliability under high differential pressure. This low-maintenance, oil-free design provides continuous, dependable service.

### Functional Performance

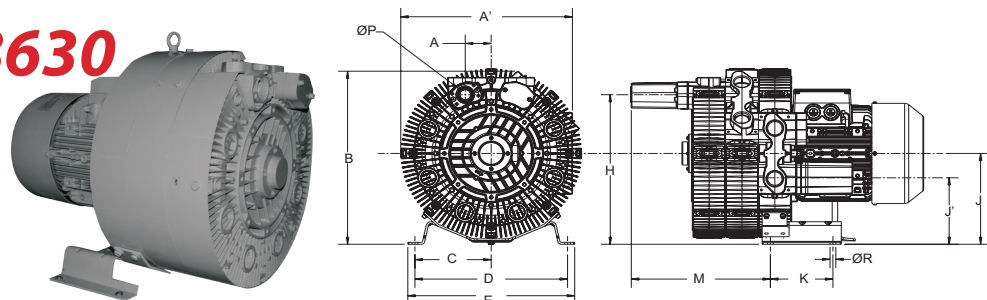
- **Air Flow:** from 33 cfm up to 777 cfm
- **Pressure Capacity:** from 47" H<sub>2</sub>O up to 417" H<sub>2</sub>O
- **Vacuum Capacity:** from 39" H<sub>2</sub>O up to 293" H<sub>2</sub>O

### Options Available

- Belt-Driven Bare Shaft Blowers
- Explosion-Proof Motors
- Direct Coupled Packages
- Wash Down Motors
- Enclosures



### 4RB630



## Triple Stage

MODEL	unit	A	A'	B	C	D	E	F	H	J	J'	K	M	ØP	ØR
4RB630	in	2.49	16.43	17.69	7.30	14.61	15.98	17.69	15.29	9.29	6.79	5.98	13.31	1.25	0.55
	mm	63	417	449	185	371	406	449	388	236	172	152	338		



5131 Cash Road Dallas, TX 75247

800.847.0380

[www.republic-mfg.com](http://www.republic-mfg.com)

