



REPUBLIC
Blower Systems®

POSITIVE DISPLACEMENT PACKAGES



Republic Positive Displacement Packages are engineered to provide the highest quality of air flow for vacuum or pressure.

Engineered to be a complete system, **Republic Positive Displacement Packages** include:

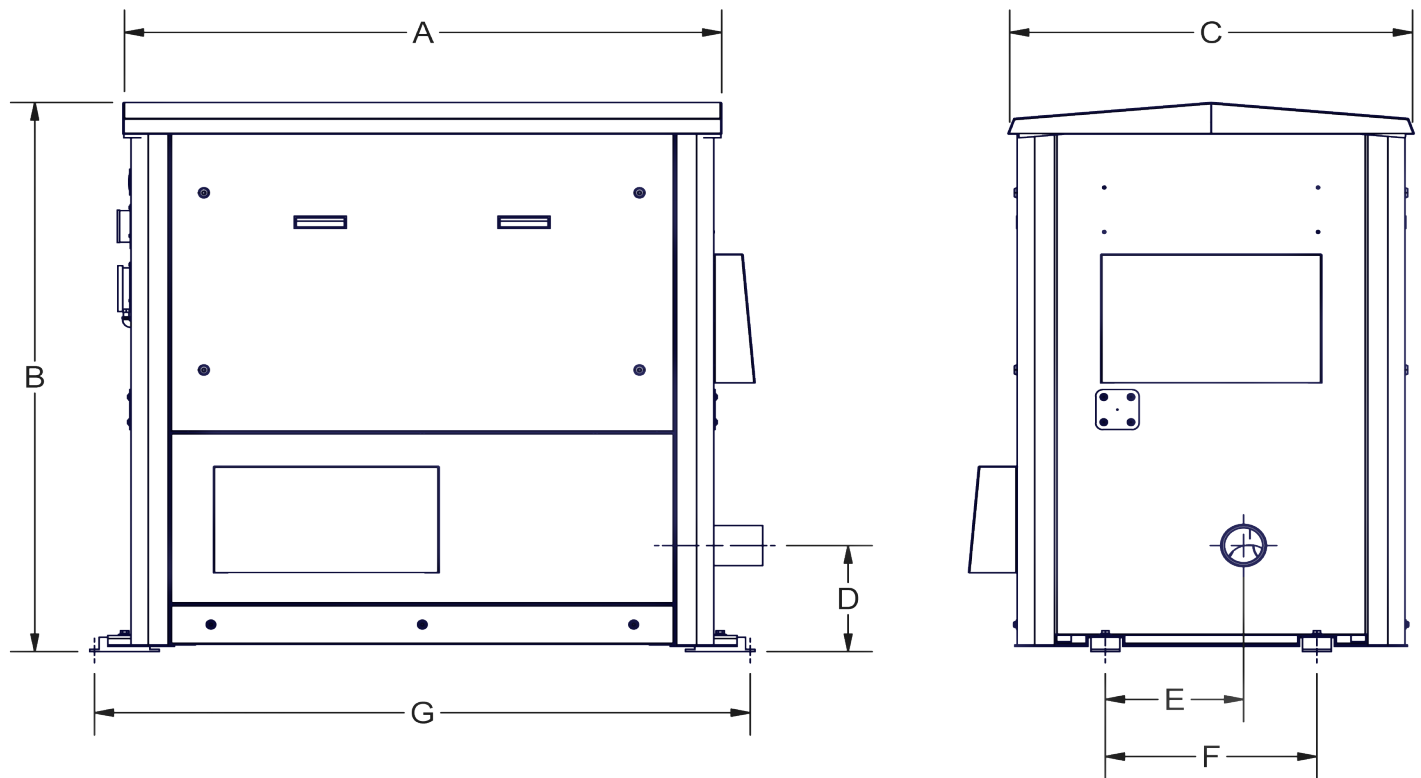
- ▲Blower
- ▲Motor
- ▲Driver
- ▲Piping
- ▲Valves
- ▲Instrumentation
- ▲Filtration
- ▲Silencer
- ▲Enclosure (optional)

Whether the design is for pressure or vacuum, all packages can be installed simply on-site. Standard options or customized packages are available.

Painted Enclosures for Pressure Packages

905-XX00XXXXXE

- E=PACKAGE INCLUDES ENCLOSURE
- MOTOR SIZE (HORSEPOWER)
- BLOWER SIZE (GEAR SIZE X IMPELLER LENGTH)
- P=PRESSURE PACKAGE
- PS=PRESSURE PACKAGE W/INLET SILENCER
- V=VACUUM PACKAGE
- VS=VACUUM PACKAGE W/INLET SILENCER
- DISCHARGE SIZE (X.X NPT OR 150# ANSI FLANGE)

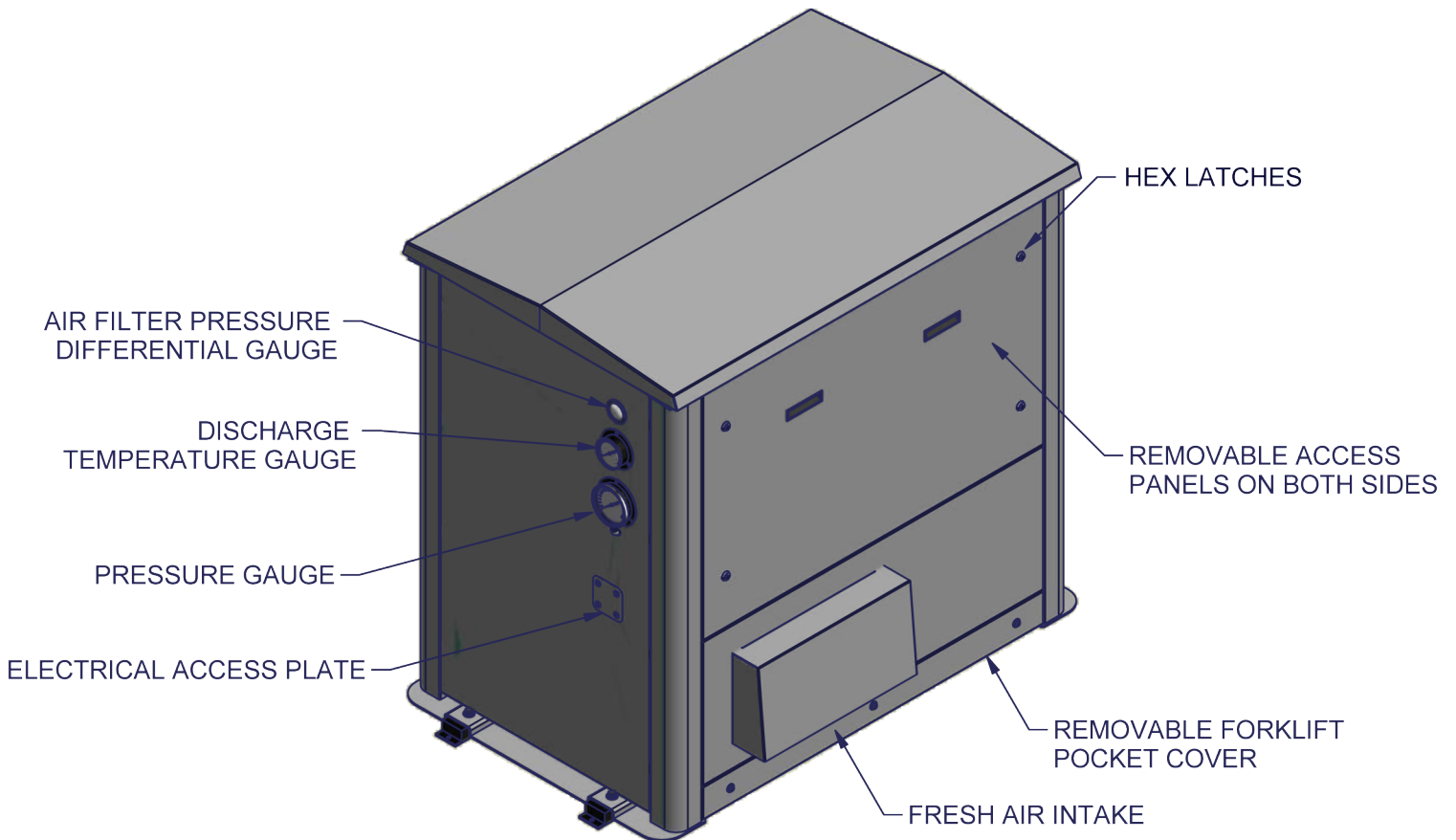
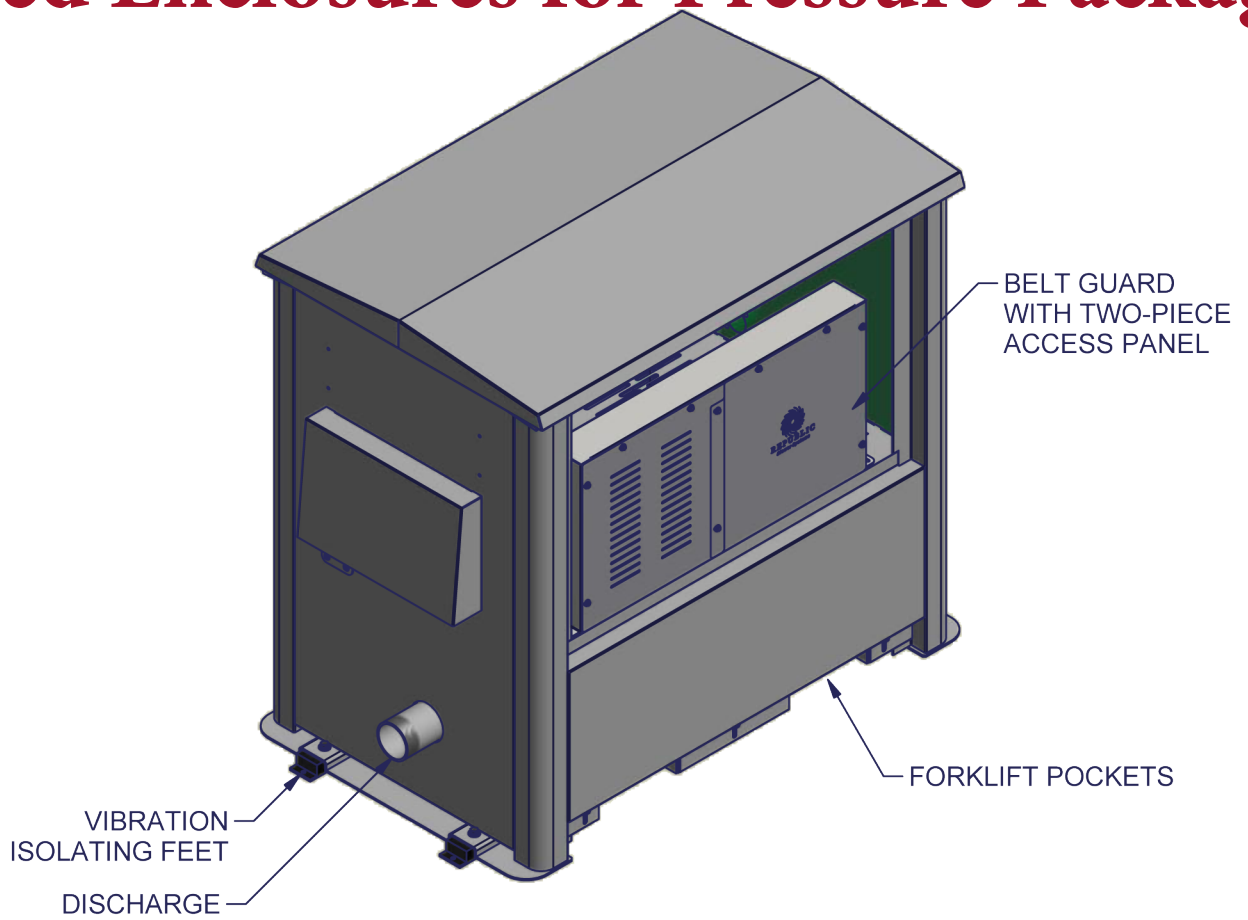


Dimensions for Standard Pressure Enclosure Packages									
Model	Discharge Size	A	B	C	D	E	F	G	Anchor Size
940-2000	2" Female NPT	44"	48"	32"	9 1/2"	10 3/4"	16"	49 5/8"	7/16"
940-3000	3" Female NPT	54"	56"	39 1/2"	9 1/2"	15"	22"	59 1/4"	7/16"
940-4000	4" Male NPT	63"	62"	42"	12"	14 1/2"	22"	68 1/4"	7/16"
940-6000	6" ANSI Flange	69"	73"	49"	14"	16"	28"	74 1/4"	7/16"
940-8000	8" ANSI Flange	*	*	*	*	*	*	*	*
940-1000	10" ANSI Flange	*	*	*	*	*	*	*	*

All dimensions are for reference only and subject to change without notice.

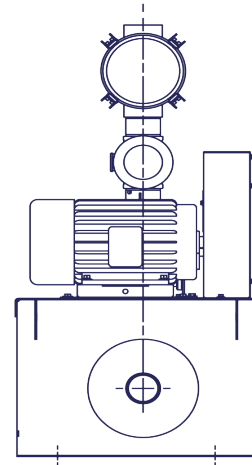
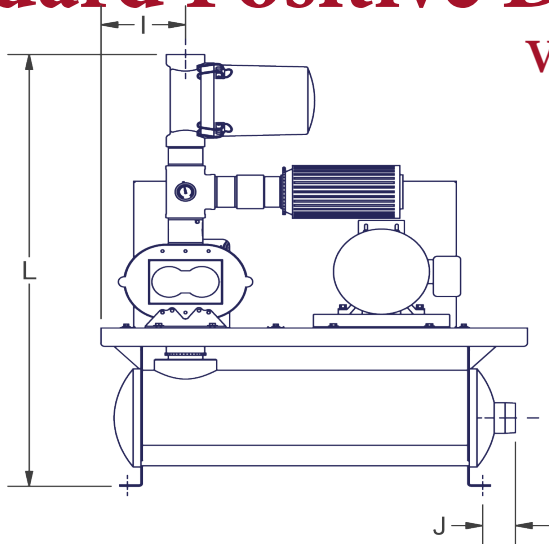
*For 8" and larger packages, please contact your Republic representative for dimensions.

Painted Enclosures for Pressure Packages

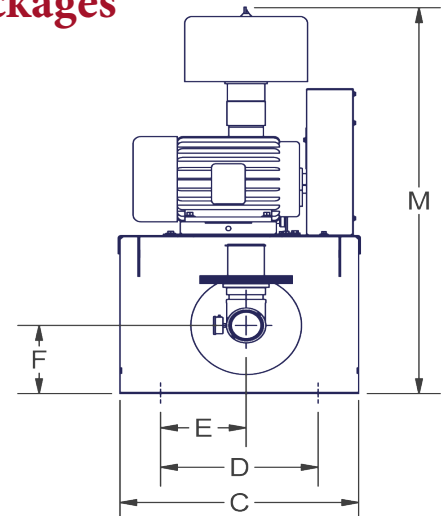
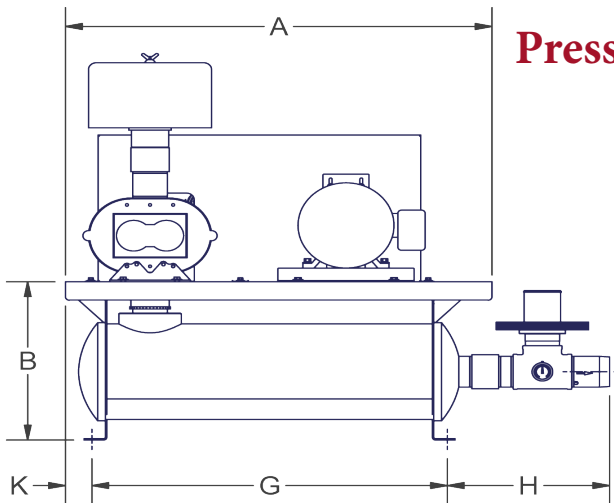


Standard Positive Displacement Packages

Vacuum Packages



Pressure Packages



Dimensions for Standard Pressure & Vacuum Packages

Model	Discharge Size	A	B	C	D	E	F	G	H	I	J	K	Anchor Size
900-1320K	2" NPT	33"	14"	18 1/2"	12"	7"	5"	30 3/4"	11 1/2"	6 1/2"	1 5/16"	1 1/4"	5/8" x 1"
900-1325K	2 1/2" NPT	38"	13 1/2"	26"	18"	12"	6"	26 3/4"	23"	6"	1 3/16"	7/16"	5/8" x 1"
900-1330K	3" NPT	46 1/2"	17"	27 1/2"	18"	10 1/4"	7 3/16"	42 5/16"	17"	7 1/4"	9/16"	1 3/16"	3/4" x 1"
900-1340K	4" NPT	55 1/2"	23"	31"	20 1/2"	11 1/8"	10"	46 1/4"	21"	11"	4 1/4"	3 1/2"	3/4" x 1"
900-1350K	5" NPT	60"	25"	33"	20 1/2"	11 9/16"	11"	55 7/8"	21"	13"	5 1/16"	3"	3/4" x 1"
900-1360K	6" ANSI Flange	73"	29 1/4"	42 1/2"	24"	14"	12"	61 3/4"	**	13"	5 1/4"	1 3/8"	3/4" x 1"
900-1380K	8" ANSI Flange	74"	29 3/4"	40 1/2"	24"	9 3/4"	12"	63"	**	13"	6 3/8"	1 1/4"	3/4" x 1"
900-1310K	10" ANSI Flange	75 1/2"	32"	46 1/2"	24"	10"	12"	63"	**	13 1/2"	7"	1 3/8"	3/4" x 1"

All dimensions are for reference only and subject to change without notice.

For dimensions L and M, please contact your Republic representative, as these will vary depending on the exact configuration.

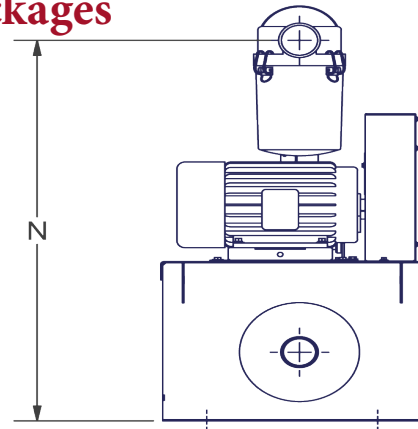
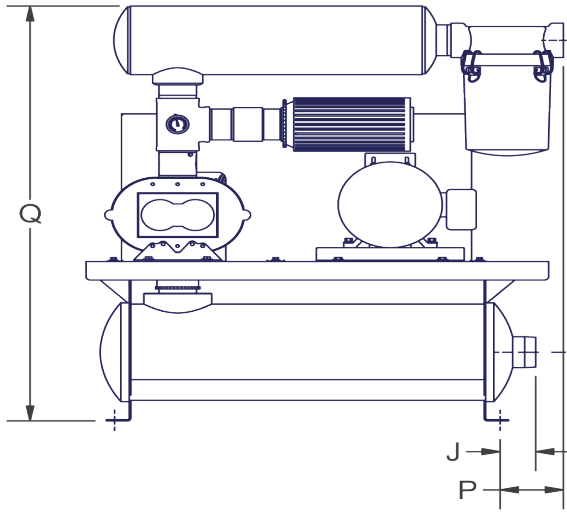
**Discharge length on flanged packages will vary depending on the number and arrangement of relief valves. Please contact your Republic representative for these dimensions.

5131 Cash Road ▲ Dallas, TX 75247 ▲ P 214.631.8070 ▲ F 214.631.3673 ▲ 800.847.0380

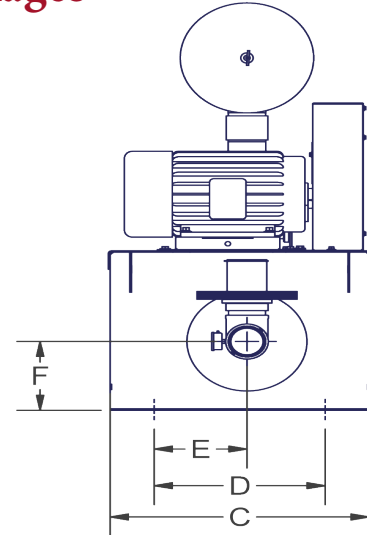
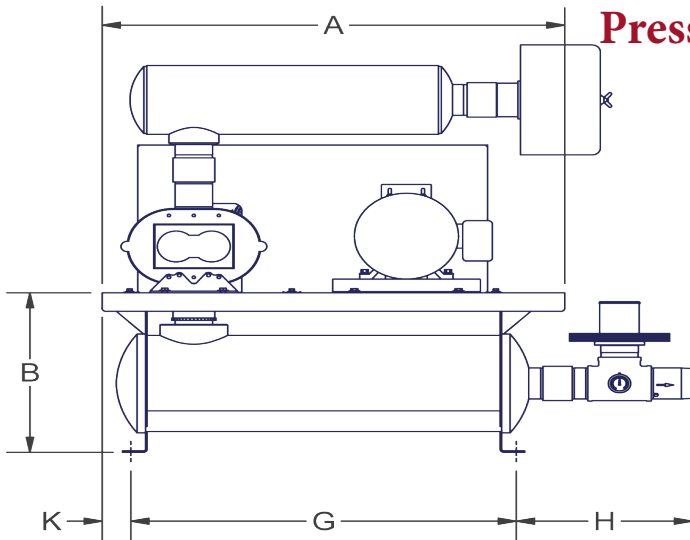
www.republicsales.com

Standard Packages with Silencer

Vacuum Packages



Pressure Packages



Dimensions for Standard Pressure & Vacuum Packages

Model	Discharge Size	A	B	C	D	E	F	G	H	I	J	K	Anchor Size
900-1320K	2" NPT	33"	14"	18 1/2"	12"	7"	5"	30 3/4"	11 1/2"	6 1/2"	1 5/16"	1 1/4"	5/8" x 1"
900-1325K	2 1/2" NPT	38"	13 1/2"	26"	18"	12"	6"	26 3/4"	23"	6"	1 3/16"	7/16"	5/8" x 1"
900-1330K	3" NPT	46 1/2"	17"	27 1/2"	18"	10 1/4"	7 3/16"	42 5/16"	17"	7 1/4"	9/16"	1 3/16"	3/4" x 1"
900-1340K	4" NPT	55 1/2"	23"	31"	20 1/2"	11 1/8"	10"	46 1/4"	21"	11"	4 1/4"	3 1/2"	3/4" x 1"
900-1350K	5" NPT	60"	25"	33"	20 1/2"	11 9/16"	11"	55 7/8"	21"	13"	5 1/16"	3"	3/4" x 1"
900-1360K	6" ANSI Flange	73"	29 1/4"	42 1/2"	24"	14"	12"	61 3/4"	**	13"	5 1/4"	1 3/8"	3/4" x 1"
900-1380K	8" ANSI Flange	74"	29 3/4"	40 1/2"	24"	9 3/4"	12"	63"	**	13"	6 3/8"	1 1/4"	3/4" x 1"
900-1310K	10" ANSI Flange	75 1/2"	32"	46 1/2"	24"	10"	12"	63"	**	13 1/2"	7"	1 3/8"	3/4" x 1"

All dimensions are for reference only and subject to change without notice.

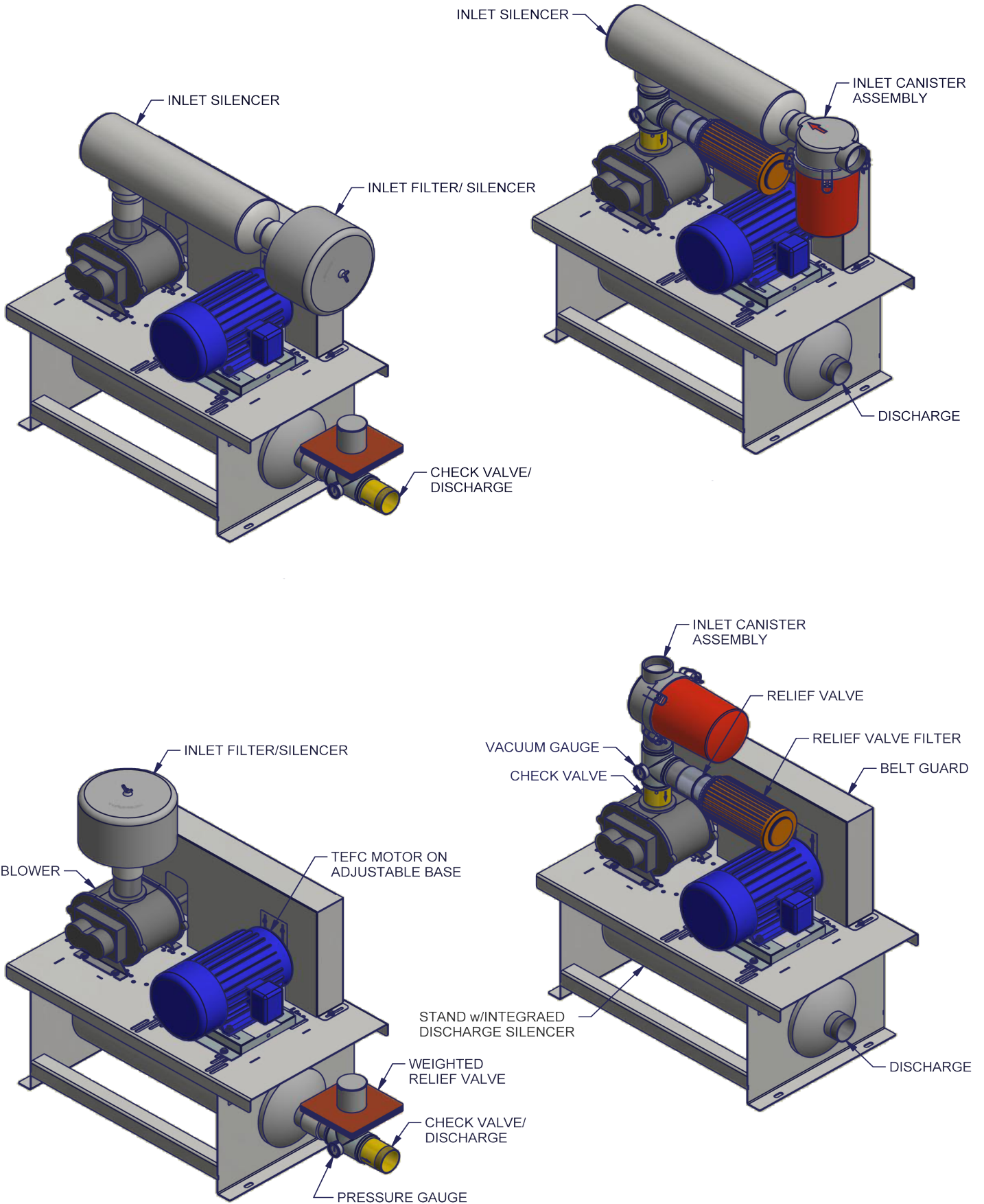
For dimensions N, P & Q, please contact your Republic representative, as these will vary depending on the exact configuration.

**Discharge length on flanged packages will vary depending on the number and arrangement of relief valves. Please contact your Republic representative for these dimensions.

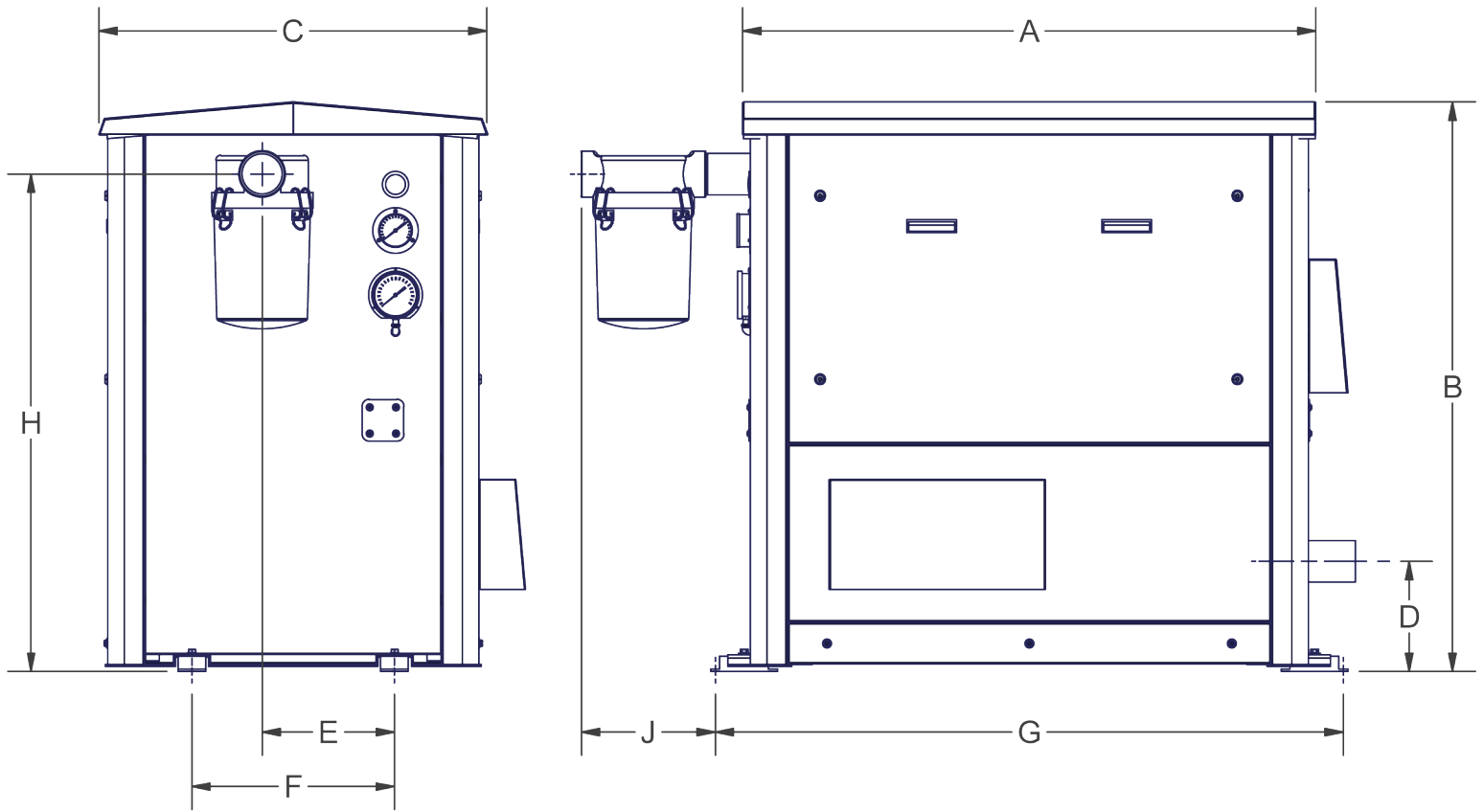
5131 Cash Road ▲ Dallas, TX 75247 ▲ P 214.631.8070 ▲ F 214.631.3673 ▲ 800.847.0380

www.republicsales.com

Standard Packages with Silencer



Painted Enclosures for Vacuum Packages



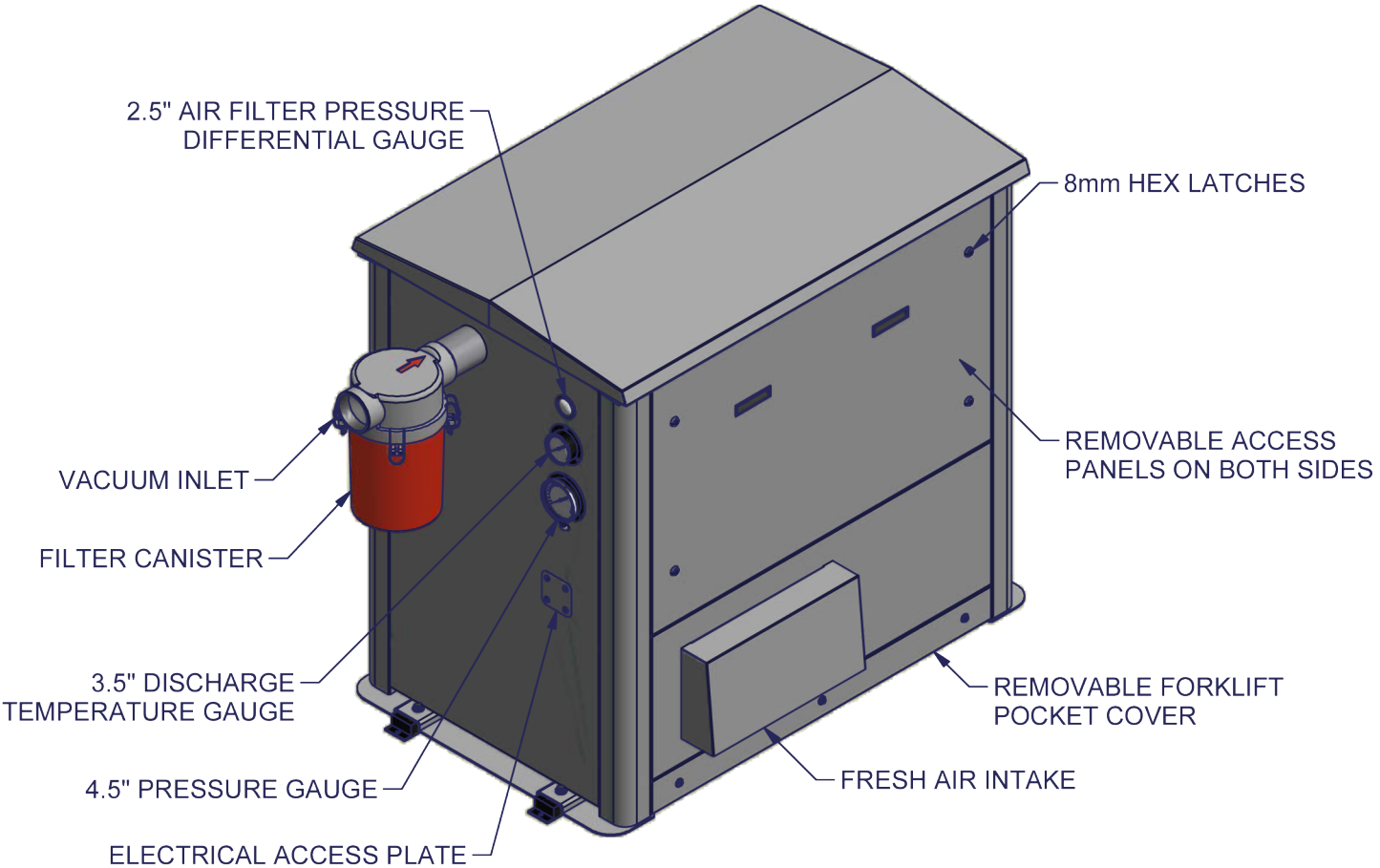
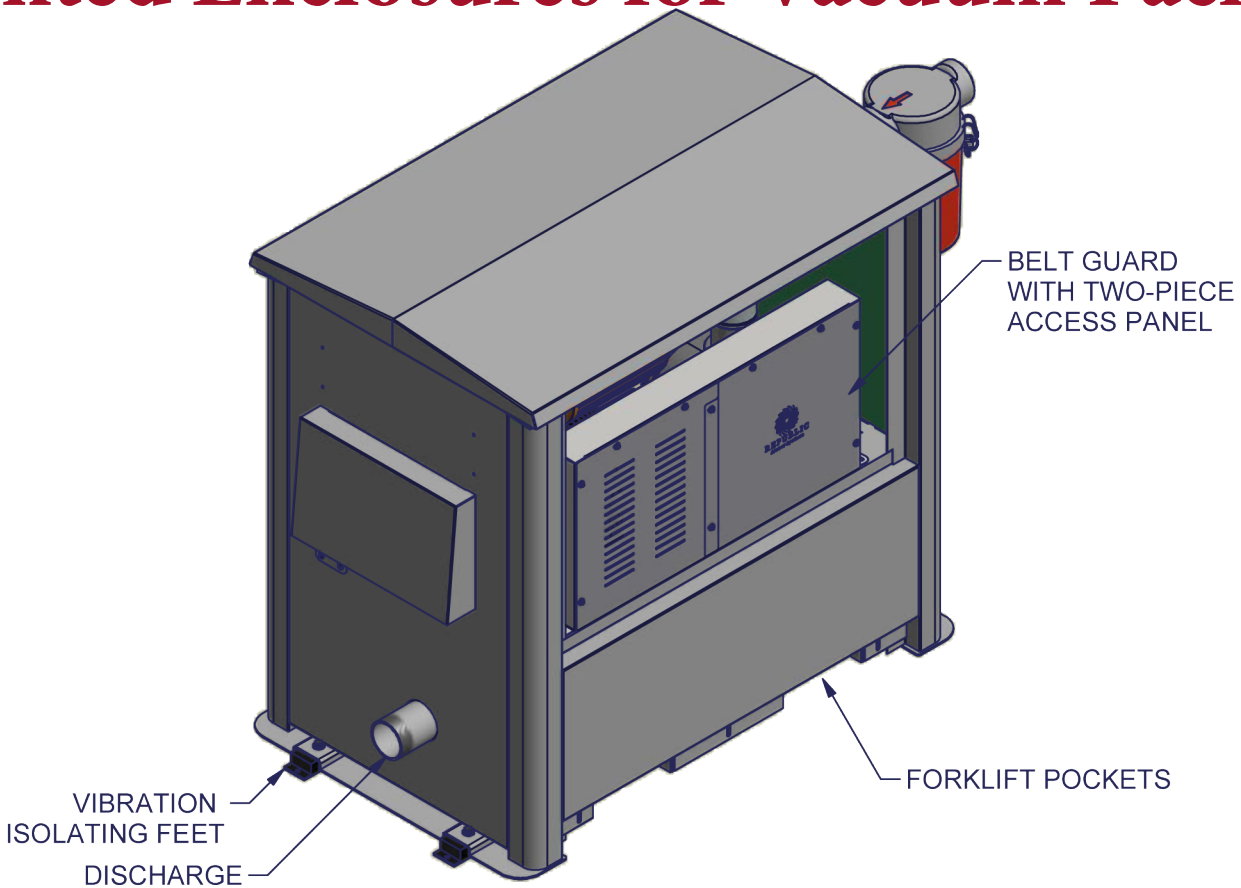
Dimensions for Standard Vacuum Packages

Model	Discharge Size	A	B	C	D	E	F	G	Anchor Size
940-2000	2" Female NPT	44"	48"	32"	9 1/2"	10 3/4"	16"	49 5/8"	7/16"
940-3000	3" Female NPT	54"	56"	39 1/2"	9 1/2"	15"	22"	59 1/4"	7/16"
940-4000	4" Male NPT	63"	62"	42"	12"	14 1/2"	22"	68 1/4"	7/16"
940-6000	6" ANSI Flange	69"	73"	49"	14"	16"	28"	74 1/4"	7/16"
940-8000	8" ANSI Flange	*	*	*	*	*	*	*	*
940-1000	10" ANSI Flange	*	*	*	*	*	*	*	*

All dimensions are for reference only and subject to change without notice.

*For dimensions H, J, or dimensions for packages larger than 6", please contact your Republic representative for dimensions.

Painted Enclosures for Vacuum Packages



5131 Cash Road ▲ Dallas, TX 75247 ▲ P 214.631.8070 ▲ F 214.631.3673 ▲ 800.847.0380

www.republicsales.com



R E P U B L I C
Blower Systems®

5131 Cash Road
Dallas, TX 75247
Tel (214) 631-8070
Fax (214) 631-3673

Call today
for help with your application.

Toll-free 1-800-847-0380

or visit our website

www.RepublicSales.com