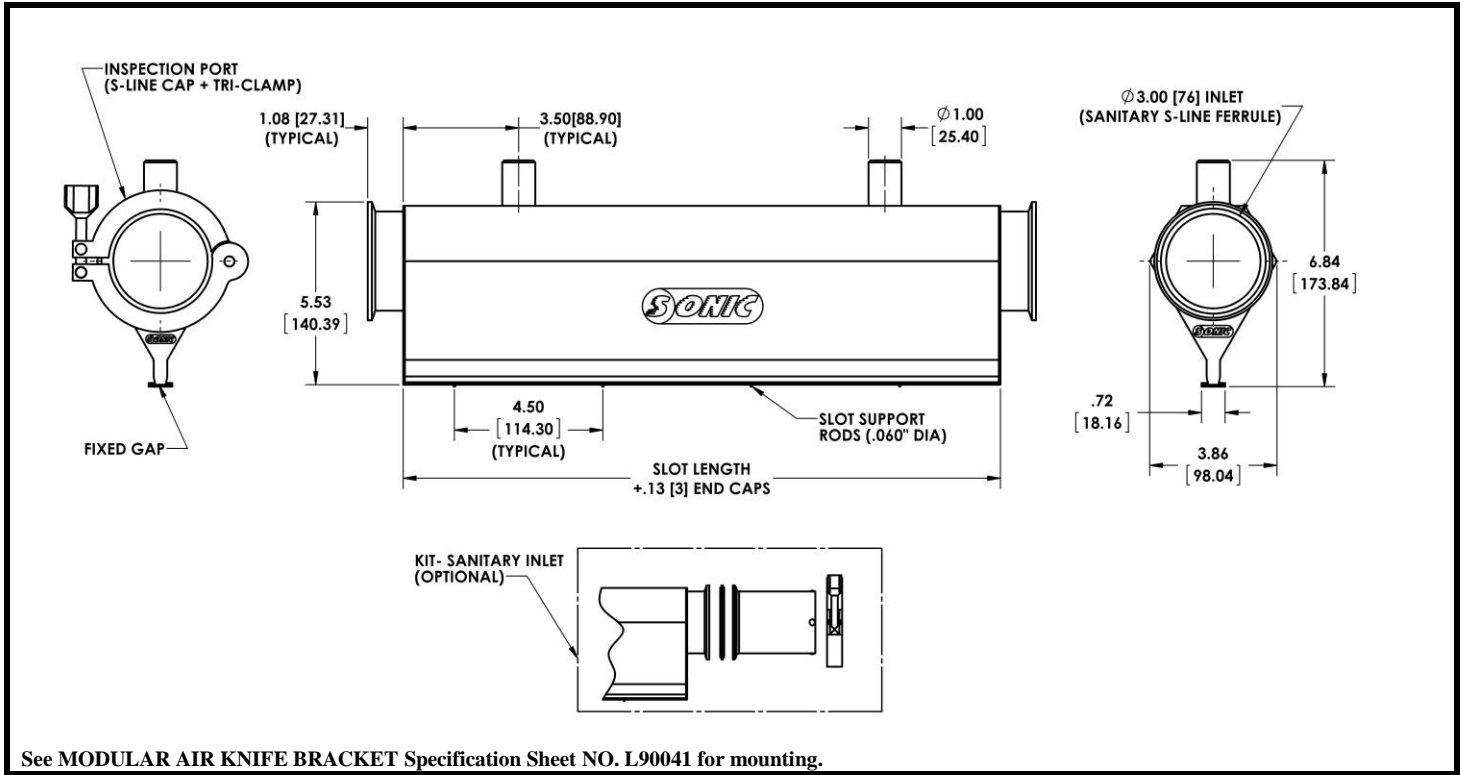
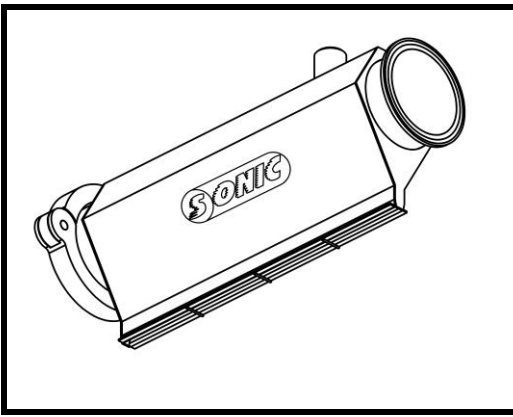




Product Specification Sheet

SANITARY AIR KNIFE

COMPLIANT WITH 3-A SANITARY STANDARDS FOR CLEANABILITY



See MODULAR AIR KNIFE BRACKET Specification Sheet NO. L90041 for mounting.

Dimensions in Inches, [] are in millimeters

Description	Air Knife-3" X %%" LG Sanitary	
Sonic Part Number	12987-%%	
Standard Slot Lengths	2.0 to 72.0in [50.8 to 1828.8mm]	
Air Flow Rate	3.5 cfm/in to 16.9 cfm/in (65.0 lps/m to 314.0 lps/m)	
Maximum Air Discharge Velocity	38,000 fpm (11,582 mpm)	
Material	Body - 16 Gauge 300 Series S.S. Inlet/Post - 300 Series S.S.	
Finish	Electropolish	
Kit-Sanitary Inlet (Includes: Ferrule Tube, Gasket & Tri-Clamp)	P/N- 17018 (4in [101.6mm] L Ferrule)	P/N- 17019 (1in [25.4mm] L Ferrule)
Weight (Approx.)	2.75 lbs/ft (4.09 g/mm)	