

PowerWash

Comprehensive Industrial Washing

SECOMAK
Experts In Drying Solutions

E: sales@secomak.com



Built to wash cans, bottles and jars, the **PowerWash** uses micro-nozzles to provide precise and efficient rinsing across the entire surface of the container, whilst minimising water consumption.

Adept at rinsing awkward places whilst maintaining high production speeds, the **PowerWash** ensures product hygiene and appearance are first class.

The **PowerWash** includes or can be optioned with the following:

- Multiple Washing Fixtures
- AquaMinder Auto Start/Stop
- Water Recycling & Filtration (opt)
- Wash Cans, Bottles & Jars
- Fully Contained Unit
- Add the PowerGuide for Wash & Dry

PowerWash Standard Configurations

Beverage Can	Glass Bottle	PET Bottle
Full Container Rinse	Full Container Rinse	Full Container Rinse
Wash Can Tops	Wash Crown Caps	Wash Screw Caps
Clean Overfill	Clean Overfill	Clean Overfill
Maintain Hygiene	Enable Labelling	Enable Labelling
Maintain Product Quality	Improve Shrink Sleeve Application	Improve Shrink Sleeve Application

For further information please contact Secomak on +44 (0) 2087 321 300 or sales@secomak.com

www.secomak.com

Secomak Ltd.

330 Centennial Park, Elstree, Hertfordshire, WD6 3TJ, UK.

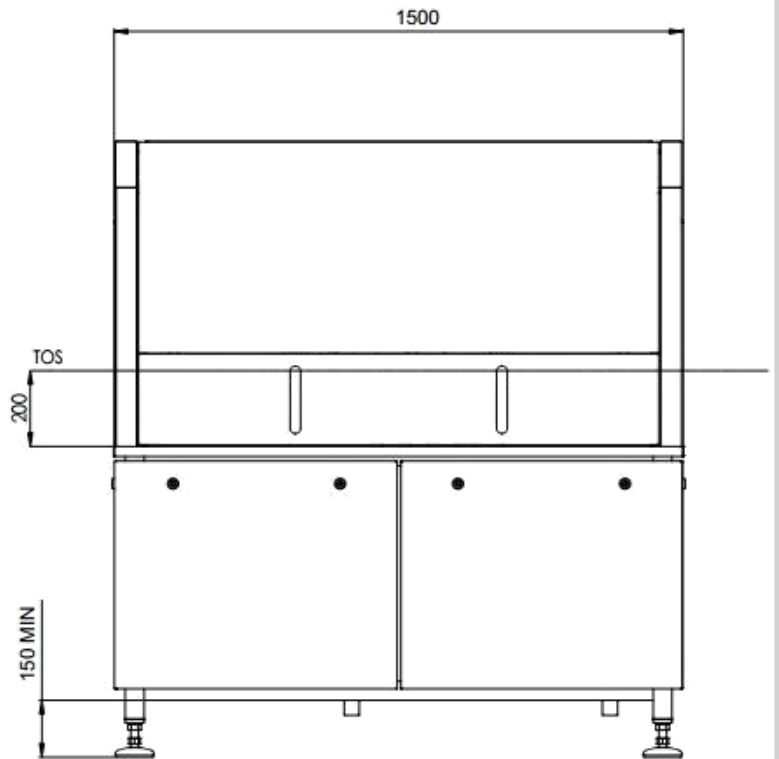
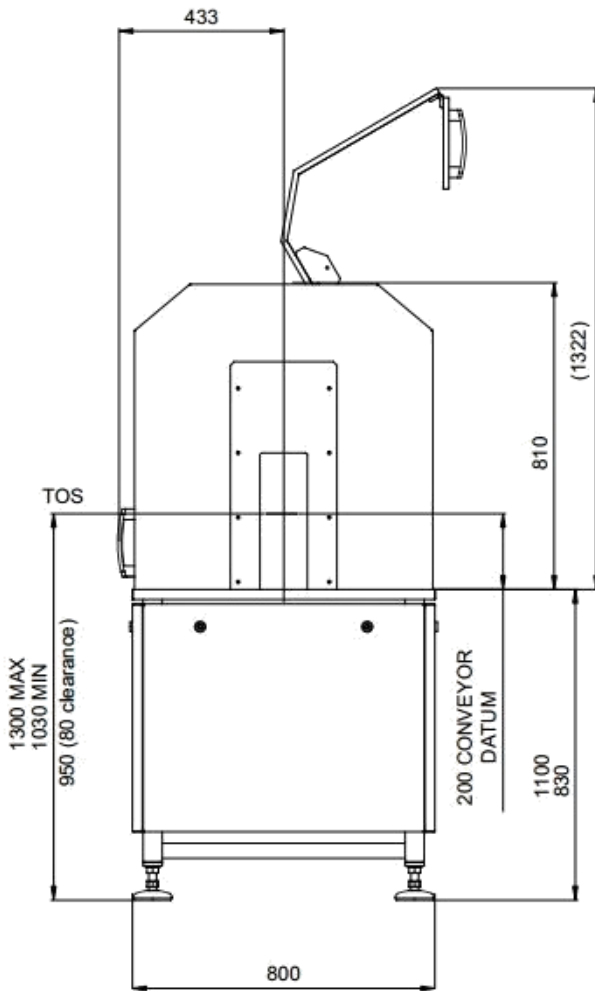
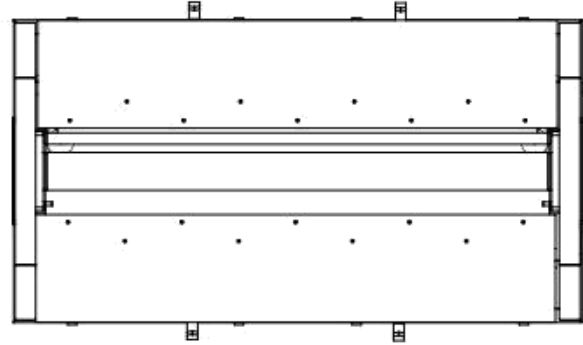
PowerWash

Comprehensive Industrial Washing

SECOMAK

Experts In Drying Solutions

E: sales@secomak.com



For further information please contact Secomak on +44 (0) 2087 321 300 or sales@secomak.com

www.secomak.com

Secomak Ltd.

330 Centennial Park, Elstree, Hertfordshire, WD6 3TJ, UK.