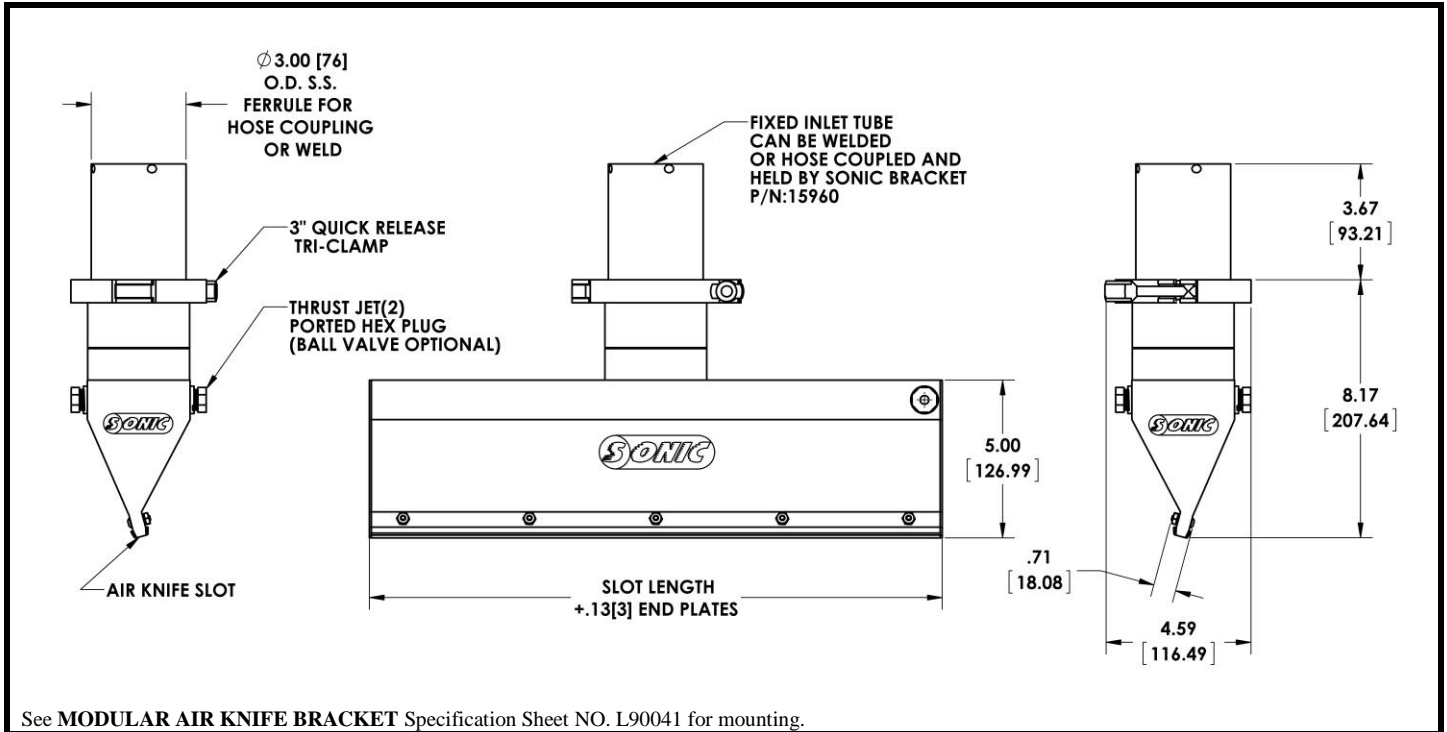
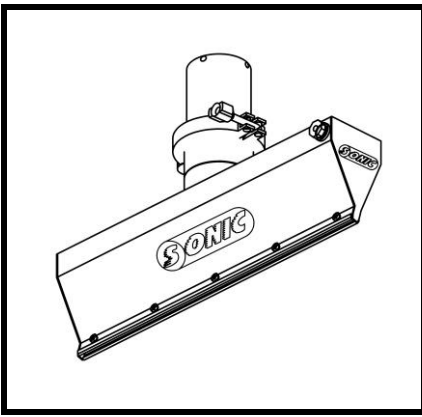




Product Specification Sheet

SONIC ROTARY AIR KNIFE
(PATENTED)



See MODULAR AIR KNIFE BRACKET Specification Sheet NO. L90041 for mounting.

Dimensions in Inches, [] are in millimeters

Description	Air Knife, Rotary-3" X %%" LG
Sonic Part Number	13390-%%
Standard Slot Lengths	12.0 [305], 18.0 [458], 24.0 [610], 30.0[762], 36.0 [915]
Custom Slot Lengths	6.0 to 42.0in [152 to 1,066.8mm]
Rotating Speed	10 to 200 RPM
Air Flow Rate	3.5 cfm/in to 16.9 cfm/in (65.0 lps/m to 314 lps/m)
Maximum Air Discharge Velocity	38,000 fpm (11,580 mpm)
Temperature Range	-40°F to 250°F (-40°C to 120°C)
Material	Body-16 Gauge 300 Series S.S. End Plates -18 Gauge 300 Series S.S. Hardware-300 Series S.S.
Finish	Electropolish
Weight (Approx.)	6.26 lbs/ft (9.32 g/mm)