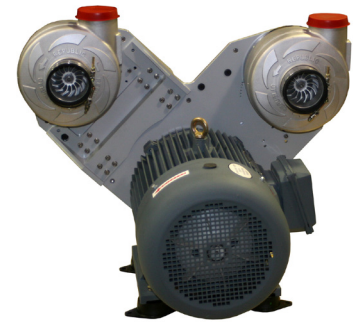


Republic offers a complete line of centrifugal blowers for vacuum or compressed air applications. Centrifugal blowers provide dry, clean, oil-free air and require low energy consumption. Unlike compressed air systems, this series is safe to run at low pressure, and allows for increased production speeds or levels.

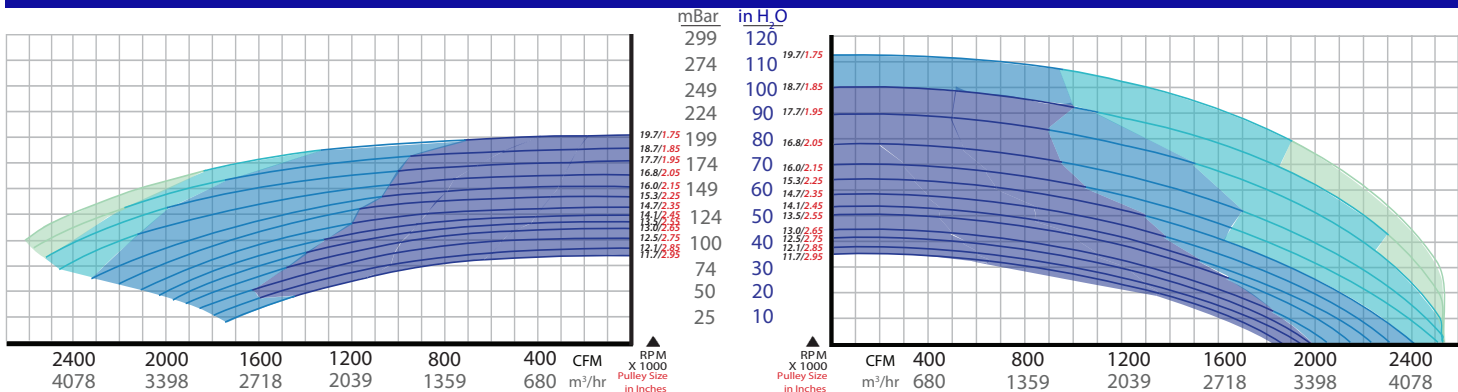
The RB2400 provides the flow capacities of two blowers in one. The blower comes with ceramic hybrid bearings, 360 degree rotatable outlet discharge, easy to remove stainless steel bearing housing assembly, and zinc plated steel motor pulley.



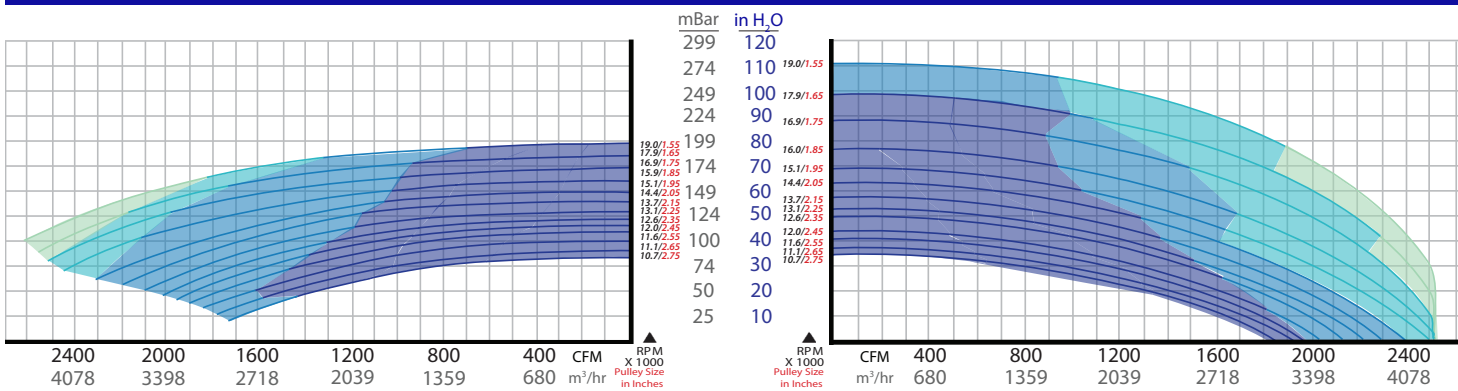
PERFORMANCE

Vacuum Pressure

60Hz



50Hz

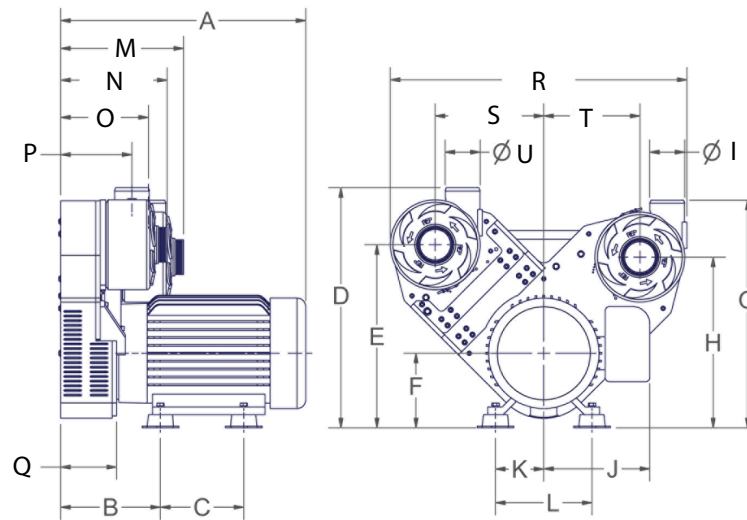


Standard cubic feet per minute, air at 14.7 PSIA, 68°F, 36% R.H.
 $1''\text{H}_2\text{O}=0.074''\text{Hg}=0.036\text{PSIG}=0.57\text{oz}=25.4\text{mm H}_2\text{O}$

■ 25HP ■ 30HP ■ 40HP ■ 50HP

Model	Frequency (Hz)	HP	Max Flow (CFM/m ³ /hr)	Max Vacuum (in. H ₂ O/mbar)	Max Pressure (in. H ₂ O/mbar)	Sound Level (db) with Enclosure/without Enclosure	Weight (lb/kg)	Retro Kit Weight (lb/kg)
RB2400	50	25 (284TSC)	2,000/3,398	80/200	100/250	82/96	513/233	108/269
	60		2,000/3,398	80/200	100/250			
	50	30 (286TSC)	2,400/4,078	78/194	112/280	82/96	513/233	
	60		2,400/4,078	78/194	112/280			
	50	40 (324TSC)	2,550/4,332	75/187	108/270	82/96	625/283	
	60		2,550/4,332	75/187	108/270			
	50	50 (326TSC)	2,550/4,332	65/162	76/189	82/96	725/329	
	60		2,550/4,332	65/162	80/200			

APPROXIMATE DIMENSIONS



HP	Unit	A	B	C	D	E	F	G	H	I	J	K	L	M	N	O	P	Q	R	S	T	U
25 (284TSC)	in	28.0	11.0	9.5	27.0	21.0	8.5	26.0	19.5	4.0	12.0	5.5	11.0	14.0	12.0	10.0	8.0	6.0	34.0	12.0	11.0	4.0
	mm	711	289	241	695	530	216	660	495	102	306	140	279	356	308	254	206	162	860	314	279	102
30 (286TSC)	in	28.0	11.0	9.5	27.0	21.0	8.5	26.0	19.5	4.0	13.0	5.5	11.0	14.0	12.0	10.0	8.0	6.0	34.0	12.0	11.0	4.0
	mm	711	289	241	695	530	216	660	495	102	333	140	279	356	308	254	206	162	860	314	279	102
40 (324TSC)	in	32.0	12.0	10.5	28.0	22.0	9.5	27.0	20.5	4.0	15.0	6.3	12.5	14.0	12.0	10.0	8.0	6.0	34.0	12.0	11.0	4.0
	mm	813	305	267	711	556	241	686	521	102	381	159	318	356	308	254	206	162	860	314	279	102
50 (326TSC)	in	32.0	12.0	12.0	29.0	22.0	9.5	27.0	20.5	4.0	15.0	6.3	12.5	14.0	12.0	10.0	8.0	6.0	34.0	12.0	11.0	4.0
	mm	813	305	305	737	556	241	686	521	102	381	159	318	356	308	254	206	162	860	314	279	102

Available Options

Republic Centrifugal Blowers are made to order, and can be customized to fit almost any application. Many common options and accessories are listed below. For additional options, please contact Republic or your local distributor.

Advantages

- 25-50 Horsepower – up to 19,700 rpm
- Ceramic hybrid bearings
- Multi-lip seals on both ends of the shaft
- Easy to remove bearing/impeller housing for quick repair
- Blower outlet discharge is rotatable
- Precision balanced shaft/impeller assemblies
- Stainless steel blower pulley, zinc plated steel motor pulley, aluminum blower housing
- 6061 T6 aluminum impeller
- Bearing housing is steel construction for extra rigidity
- 16 Groove belt for long life
- Operational with all types of motors– washdown, explosion proof, high efficiency and hydraulic
- 100% Operational performance and vibration tested
- One year warranty

Options

- Hard anodized bearing housing assembly
- Inlet and outlet flanges available
- Water-cooled blower available

Accessories

- Enclosures for noise control
- Exhaust silencer
- Starter panel
- Variable frequency drive