

Republic offers a complete line of centrifugal blowers for vacuum or compressed air applications. Centrifugal blowers provide dry, clean, oil-free air and require low energy consumption. Unlike compressed air systems, this series is safe to run at low pressure, and allows for increased production speeds or levels.

The RB4000 provides the most flow of the centrifugal series. The blower comes with ceramic hybrid bearings, 360 degree rotatable outlet discharge, easy to remove stainless steel bearing housing assembly, and zinc plated steel motor pulley.

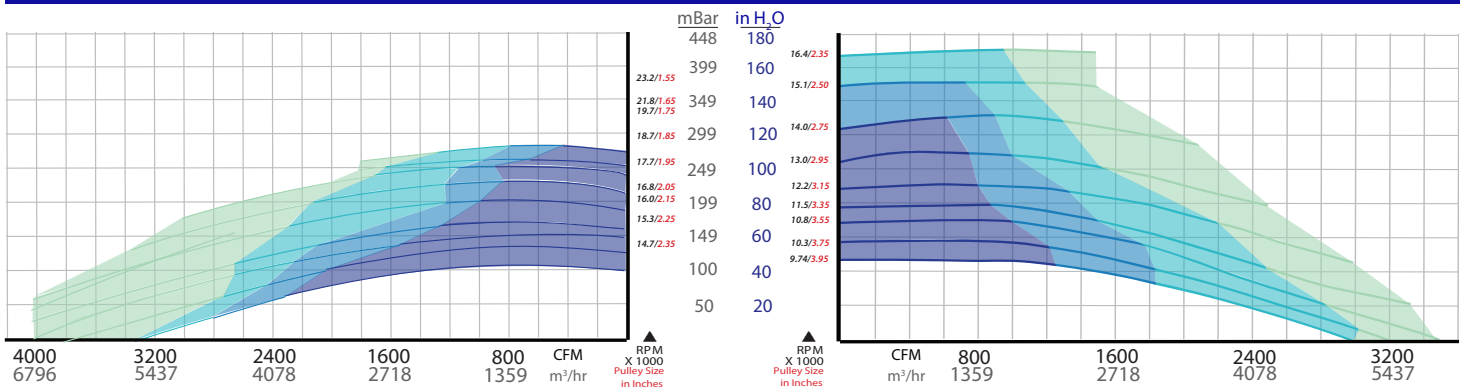


## PERFORMANCE

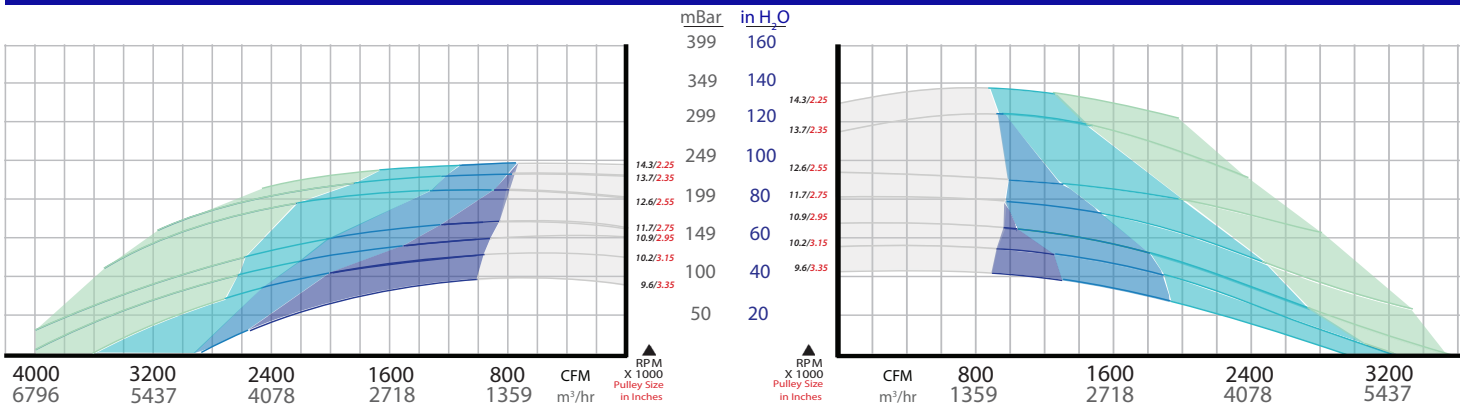
Vacuum

Pressure

60Hz



50Hz

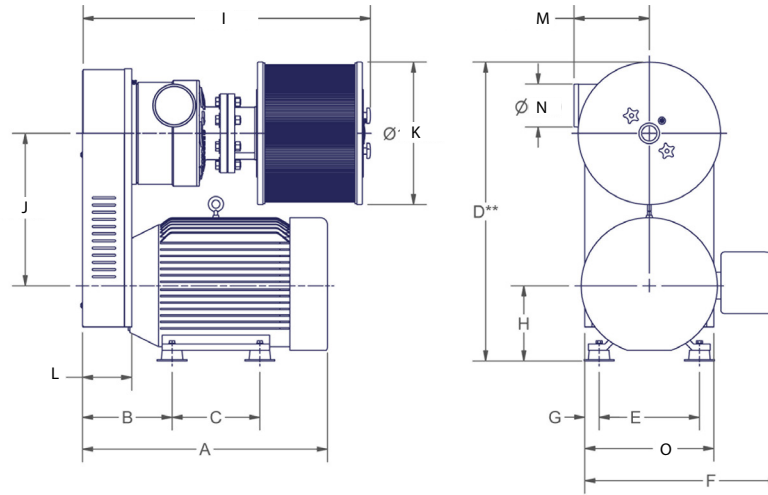


Standard cubic feet per minute, air at 14.7 PSIA, 68°F, 36% R.H.  
 $1''\text{H}_2\text{O}=0.074''\text{Hg}=0.036\text{PSIG}=0.57\text{oz}=25.4\text{mm H}_2\text{O}$

Do Not Operate 40HP 50HP 60HP 75HP

Model	Frequency (Hz)	HP	Max Flow (CFM/m³/hr)	Max Vacuum (in. H₂O/mbar)	Max Pressure (in. H₂O/mbar)	Sound Level (db) with Enclosure/without Enclosure	Weight (lb/kg)	Retro Kit Weight (lb/kg)
RB4000	50	40 (324TSC)	2,550/4,332	98/244	85/212	82/96	1,018/462	280/127
	60		2,250/4,332	112/279	125/311			
	50	50 (326TSC)	2,850/4,842	98/244	125/311	82/96	1,047/475	
	60		2,800/4,842	112/279	150/374			
	50	60 (365TSC)	3,575/6,074	97/242	136/339	82/96	1,265/574	
	60		3,340/6,074	112/279	166/413			
	50	75 (365TSC)	4,000/6,796	95/237	135/336	82/96	1,331/604	
	60		4,000/6,796	107/267	170/423			

## APPROXIMATE DIMENSIONS



HP	Unit	A	B	C	D	E	F	G	H	I	J	K	L	M	N	O
40 (324TSC)	in	32.00	10.00	16.00	42.00	15.00	23.00	1.00	10.50	40.00	21.00	20.00	7.00	10.50	6.00	18.00
	mm	813	254	406	1,059	371	575	25	267	1,018	540	505	175	267	152	457
50 (326TSC)	in	32.00	10.00	16.00	42.00	15.00	23.00	1.00	10.50	40.00	21.00	20.00	7.00	10.50	6.00	18.00
	mm	813	254	406	1,059	371	575	25	267	1,018	540	505	175	267	152	457
60 (365TSC)	in	34.00	12.50	11.00	42.00	14.00	27.00	2.00	10.50	40.00	21.00	20.00	7.00	10.50	6.00	18.00
	mm	868	318	286	1,059	356	687	51	267	1,018	540	505	175	267	152	457
75 (365TSC)	in	34.00	12.50	12.00	42.00	14.00	27.00	2.00	10.50	40.00	21.00	20.00	7.00	10.50	6.00	18.00
	mm	868	318	311	1,059	356	687	51	267	1,018	540	505	175	267	152	457

### Available Options

Republic Centrifugal Blowers are made to order, and can be customized to fit almost any application. Many common options and accessories are listed below. For additional options, please contact Republic or your local distributor.

#### Advantages

- 40-75 Horsepower – up to 16,000 rpm
- 20 Groove self-tensioning
- Ceramic hybrid bearings
- Multi-lip seals on both ends of the shaft
- Easy to remove bearing/impeller housing for quick repair
- Blower outlet discharge is rotatable
- Precision balanced shaft/impeller assemblies
- Stainless steel blower pulley, zinc plated steel motor pulley, aluminum blower housing
- 6061 T6 aluminum impeller
- Bearing housing is steel construction for extra rigidity
- Operational with all types of motors- washdown, explosion proof, high efficiency and hydraulic
- 100% Operational performance and vibration tested
- One year warranty

#### Options

- Hard anodized bearing housing assembly
- Inlet and outlet flange
- Water-cooled blower

#### Accessories

- Enclosures for noise control
- Exhaust silencer
- Starter panel
- Variable frequency drive