



TRIO

Litter bin TRIO is a bin system for sorted waste in public places. The litter bin family comes in a variety of sizes and combinations from which you can find suitable to use both in outdoors and indoors. Additional individual litter bins in the family makes the use of the family more flexible for the surrounding environment. Carefully elements like protruding colored edges invites users to sort the waste. For more humane bottle circulation Trio has special bottle shelves separated from other waste in the bin body.

Design by Sven Sõrmus





Trio

FEATURES

The separate shelf for bottles integrated in the bin makes the bottle circulation fast and clean.

Spacious ashtray inside the lid separated from the other waste opens with an easy movement.

The height of the plinth ensures comfortable maintenance also during snowy weather conditions.

Emptying: opening with a triangular key. Inside is a removable metal container for easy and safe maintenance.

EXTERY quality without compromise- harmonious design, carefully selected materials and engineering considered to the last detail.

EXTERY

MATERIAL

Hot-dip galvanized and powder coated sheet metal corpus and metal frame. The frame galvanization meets the ISO 1461:2009 standard.

RAL recommendation by designer:



RAL 7021 RAL 7039

INSTALLATION

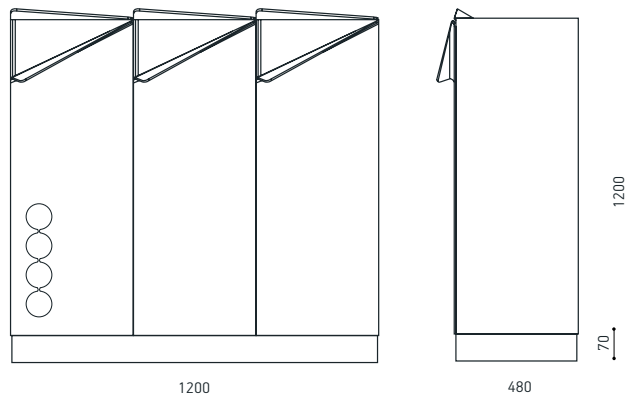
Anchored to a firm foundation.

EXTRAS

Anti-graffiti coating - we offer the possibility to cover the waste bin with anti-graffiti coating. The anti-graffiti coating is repellent to the new color and makes the surface of the product very easy to clean.

DIMENSIONS AND VARIATIONS

Trio M3 litter bin - **TRIM3**



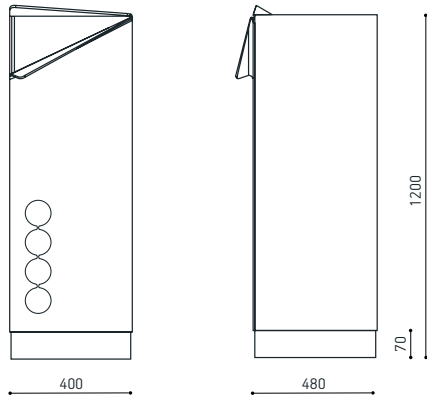
Extra markings in product code:

G- anti-graffiti lakk

The use of the legend for Trio M3 with anti-graffiti coating: **TRIM3-G**

DIMENSIONS AND VARIATIONS

Trio M1 litter bin - **TRIM1**



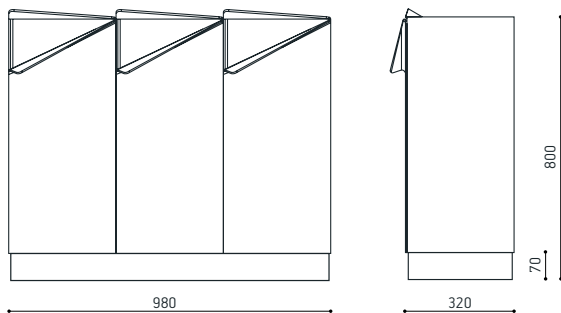
Extra markings in product code:

G- anti-graffiti lakk

*The use of the legend for Trio M1
with anti-graffiti coating: **TRIM1-G***

EXTERY

Trio S3 litter bin - **TRIS3**



Trio S1 litter bin - **TRIS1**

