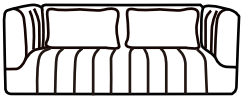
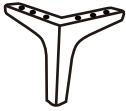
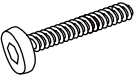




# 84213- Sofa 2-Seater Celebrate S&P

**KARE**  
DESIGN

<p>① x 1</p> 	<p>② x 4</p> 
<p>③ x 8</p> 	<p>④ x 1</p> 
<p>⑤ x 8</p> 	<p>⑥ x 8</p> 